

Panel Mount Option

PN 45410

Use the following procedure to install the IQ plus 510/710 panel mount option:

1. Make the cutout in the panel: 9.75" W x 8.5" H (248 mm W x 216 mm H).
2. If attached, remove the tilt stand from the indicator enclosure.
3. Ensure power to the indicator is disconnected, then place the indicator face-down on an antistatic work mat. Remove the screws that hold the backplate to the enclosure body. Loosen all in-use cord grips then lift the backplate away from the enclosure and set it aside.

! Caution Use a wrist strap to ground yourself and protect components from electrostatic discharge (ESD) when working inside the indicator enclosure.

4. Remove the standoff and three nuts that secure the CPU board. Unplug cabling as required and remove the CPU board.
5. Inside the enclosure, remove the eight retaining nuts that hold the bezel to the front of the indicator (see Figure 1). Remove the standard bezel.

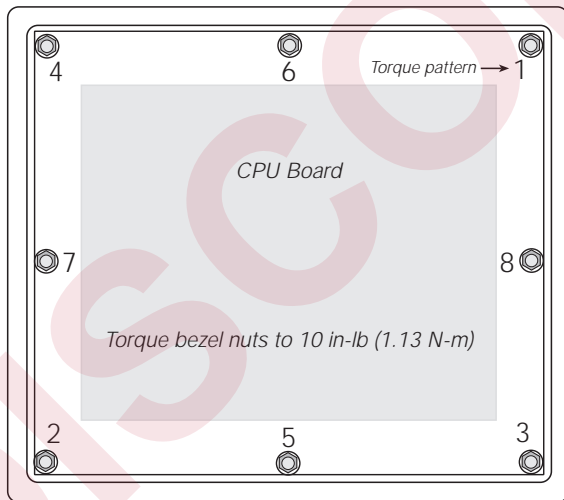


Figure 1. Torque Pattern for Bezel Nuts

6. Peel the backing tape from the panel mount gasket. Align the holes in the gasket with the studs on the panel mount bezel and press the gasket into place.

7. Fit the panel mount gasket and bezel to the front of the indicator then replace the nuts removed in step 5. See Figure 3 on page 2.
8. Torque retaining nuts to 10 in-lb (1.13 N-m) using the pattern shown in Figure 1. Make a second pass to verify torque values.
9. Reinstall CPU board and cables.
10. Position backplate over the enclosure and reinstall the backplate screws. Use the torque pattern shown in Figure 2 to prevent distorting the backplate gasket. Torque backplate screws to 10 in-lb (1.13 N-m).
11. Ensure no excess cable is left inside the enclosure and tighten cord grips.
12. Feed indicator cables through the panel cutout from front to rear. Insert the indicator into the panel from the front and hold in place.

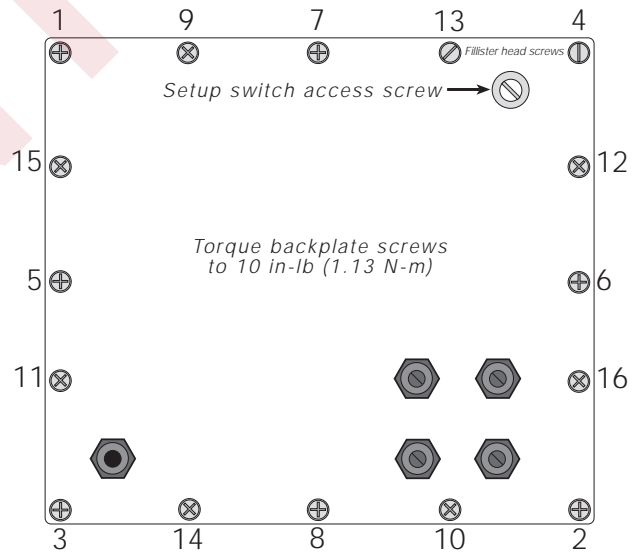


Figure 2. Torque Pattern for Backplate Screws

13. Use the 1/4-20 x 3/8" pan-head screws and lock washers provided to attach the panel mount brackets to the sides of the indicator as shown in Figure 4 on page 2.
14. Thread the four 10-32 x 1 3/4" round-head machine screws into the panel mount brackets. Tighten until the indicator is held securely against the panel. Figure 5 on page 2 shows a top view of a completed panel mount installation.

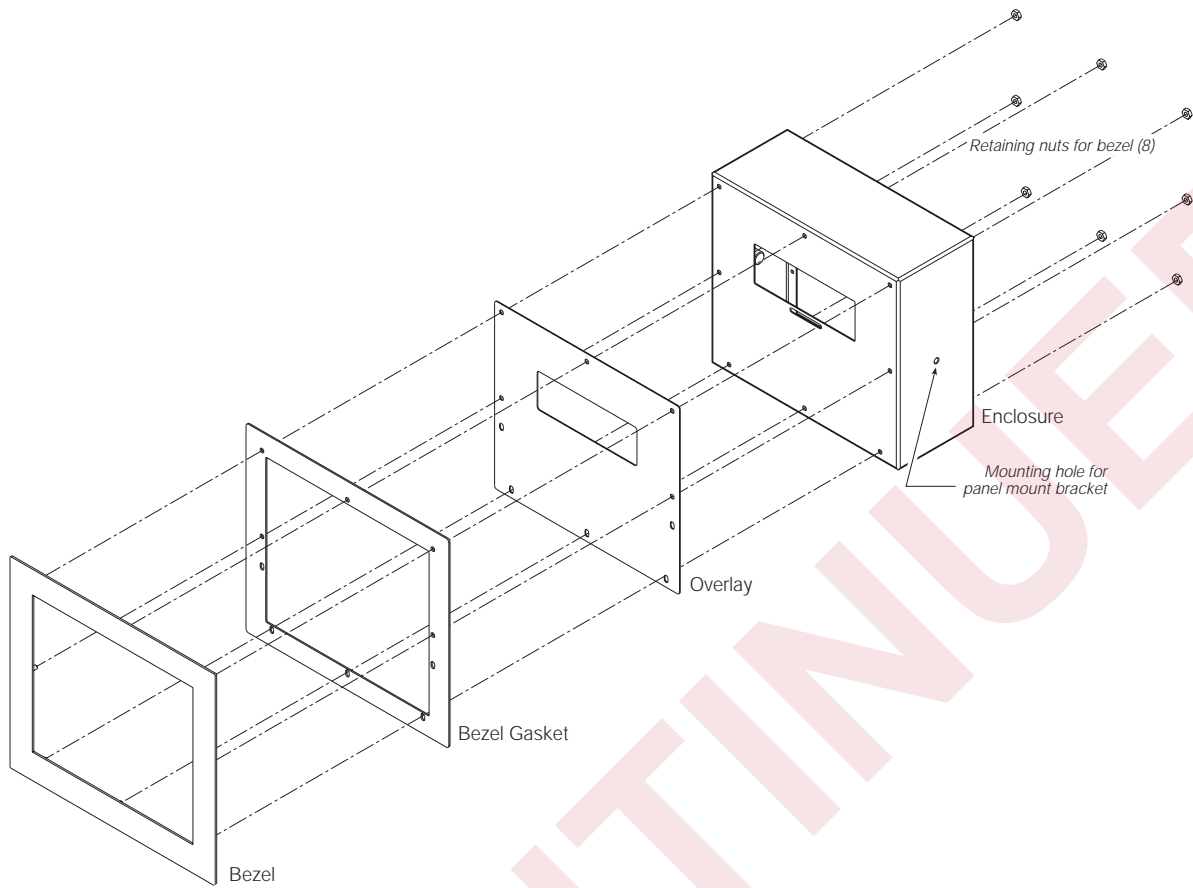


Figure 3. IQ plus 510/710 Bezel and Gasket Replacement

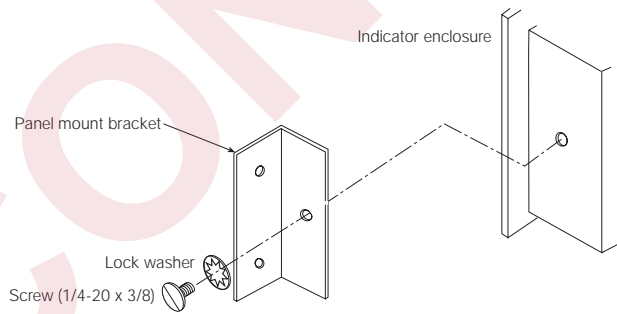


Figure 4. Attaching Panel Mount Brackets to the Enclosure

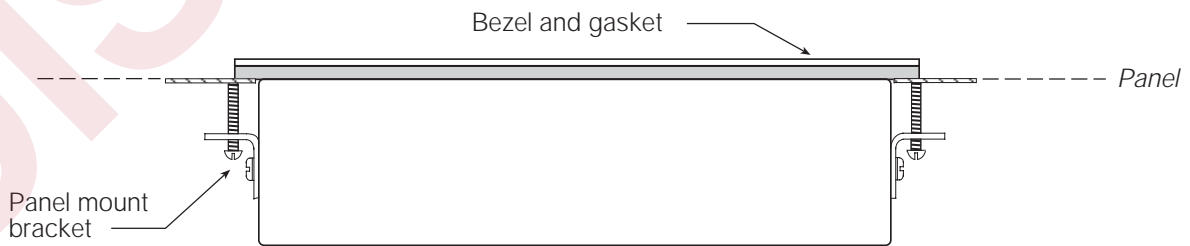


Figure 5. Panel Mounted Indicator (Top View)