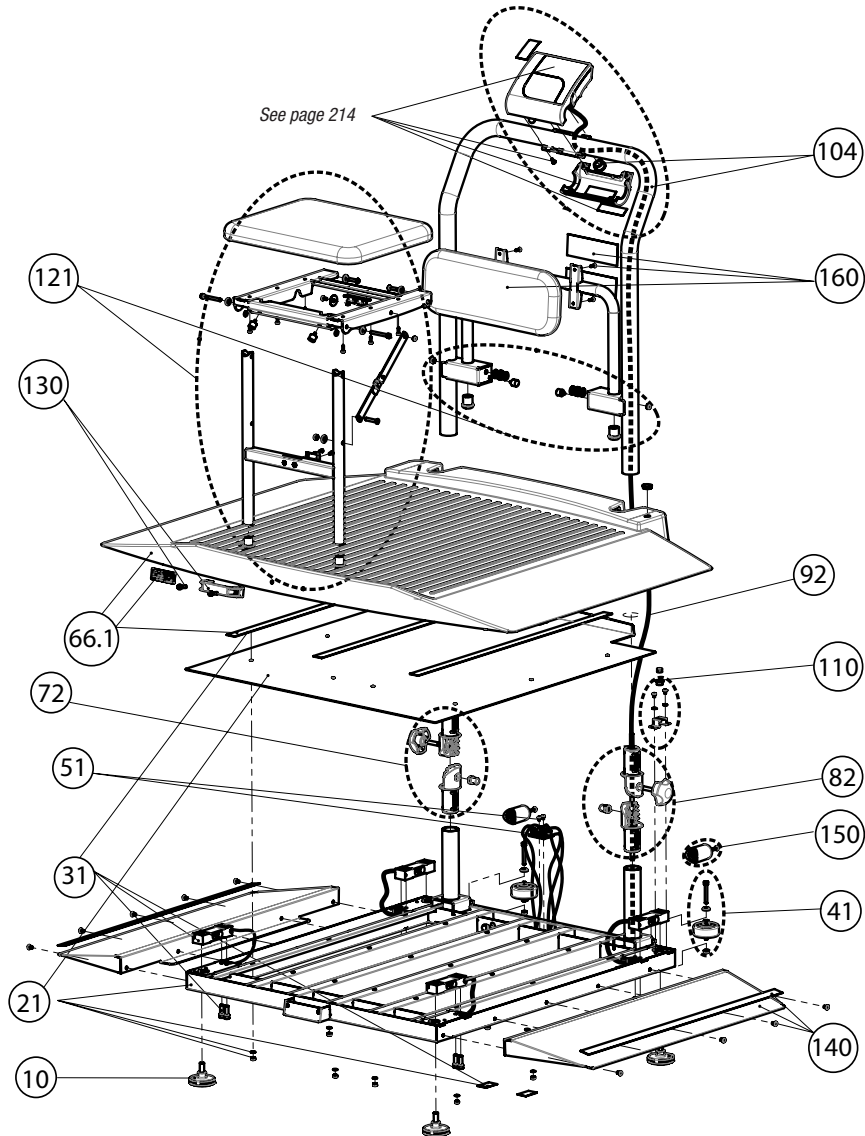


Part Number/Price

Ref#	Part#	Description	Price
10	164516	Feet	Consult
21	164518	Base	Consult
31	164521	Load cell	Consult
41	164534	Wheel	Consult
51	164578	Junction box	Consult
66.1	165064	Platform	Consult
72	165066	Joint	Consult
82	165069	Joint	Consult
	102636	Circular handle for hinge joint	Consult
92	165071	Cable	Consult
104	165085	Handrail kit	Consult
110	165086	Spirit level assembly	Consult
121	165088	Seat kit	Consult
130	165089	Carry handle	Consult
140	165090	Ramp	Consult
150	165091	Rubber stop	Consult
160	165092	Back seat	Consult



Medical Scales