



Picture is a representation of actual product.

**Approvals**



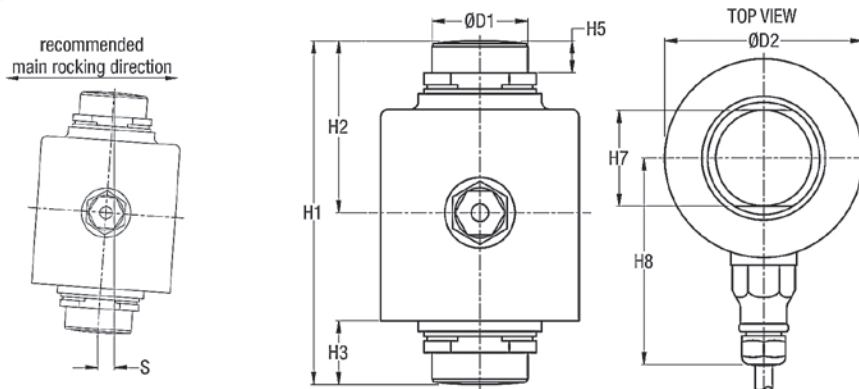
**Order Information**

Load Rating	Part #	Est. Weight	Price
7.5 t	<b>168944</b>	3 lb	Consult
15 t	<b>168946</b>	3 lb	Consult
22.5 t	<b>168947</b>	3 lb	Consult
30 t	<b>84203</b>	7 lb	Consult
40 t	<b>84204</b>	9 lb	Consult
50 t	<b>84205</b>	10 lb	Consult
Options			
Upper cup (50 t) alloy steel	<b>111365</b>	5 lb	Consult
Lower cup (50 t) alloy steel	<b>111366</b>	5 lb	Consult
Upper cup (50 t) stainless steel	<b>154107</b>	5 lb	Consult
Lower cup (50 t) stainless steel	<b>154106</b>	5 lb	Consult

The kits for the RC3 cells are on page 91. Cups 111365 and 111366 are used in kits 129844 and 111367. Cups 154107 and 154106 are used in kits 154347, 154348 and 154349.

**Dimensions**

Rated Capacity	H1	H2	H3	H5	H7	H8	D1	D2
t/in								
7.5 to 22.5	3.50	1.73	0.67	0.43	1.10	2.95	1.10	2.56
30	5.51	2.76	1.20	0.51	1.55	3.31	1.55	3.19
40	5.91	2.95	1.22	0.51	1.55	3.31	1.55	3.19
50	7.01	3.50	1.26	0.67	1.73	3.71	1.73	3.90



**Interchangeable Products**

FAIRBANKS®  
**30 t 70510 LCF-HR4020-2A**

**Specifications**

**Full Scale Output:**

2.0 mV/V  
mV/V/ohm calibration

**Output Resistance:**

1,000 (± 2) ohm

**Input Resistance:**

1,150 (± 50) ohm

**Material/Finish:**

Stainless steel

**Temperature:**

Compensated range  
14 °F to 104 °F (-10 °C to 40 °C)  
Operating range  
0 °F to 150 °F (-18 °C to 65 °C)

**Seal Type:**

Hermetically sealed, IP69K

**Safe Overload:**

200% full scale

**Safe Sideload:**

200% full scale

**Rated Excitation:**

5 to 10 VDC (15 V maximum)

**Combined Error:**

0.02% full scale

**Insulation Resistance:**

5,000 megohm

**Cable Length:**

7.5 to 22.5 t: 40 ft  
30 to 50 t: 18 m

**Cable Diameter:**

0.307 in  
Polyurethane jacket

**Cable Color Code:**

Green +Excitation  
Black -Excitation  
White +Signal  
Red -Signal  
Yellow Shield

**Warranty:**

One-year limited

**Approvals:**

FM  
NTEP  
OIML

FLINTEC