



Installation Manual
Installationshandbuch
Manuel d'installation

Hygienic Weighing Module Contego®

with Load Cell PR 6241

100 kg...2 t

200 kg...2 t

Type D1, D1E

Type C3, C3E



EHEDG certified

9499 053 24101

Edition 1

29.02.2012



Please note

In any correspondence concerning this instrument, please always quote the type number and serial number as given on the type plate.

Important

As the instrument is an electrical apparatus, it may be operated only by trained personnel. Maintenance and repairs may only be carried out by qualified personnel.

Bitte beachten

Bei Schriftwechsel über dieses Gerät wird gebeten, die Typennummer und die Seriennummer anzugeben. Diese befinden sich auf dem Typenschild.

Wichtig

Da das Gerät ein elektrisches Betriebsmittel ist, darf die Bedienung nur durch eingewiesenes Personal erfolgen. Wartung und Reparatur dürfen nur von geschultem, fach- und sachkundigem Personal durchgeführt werden.

Noter s.v.p.

Dans votre correspondance et dans vos réclamations se rapportant à cet appareil, veuillez toujours indiquer le numéro de type et le numéro de série inscrits sur la plaque signalétique.

Important

Comme il s'agit d'un équipement électrique, la maintenance doit être effectuée par du personnel qualifié. De même, l'entretien et les réparations sont à confier au personnel qualifié.

Table of Contents

1	Safety Precautions	3
2	Design Recommendations	4
2.1	Location of Weighing Modules.....	4
2.2	Mounting Aid	5
2.3	Internal Lift-Off Protector with Integrated Jack-Up	5
2.3.1	General Information.....	5
2.3.2	Jack-up	6
2.3.3	Adjusting the Internal Lift-Off Protector.....	6
3	Specifications.....	7
3.1	Equipment Supplied.....	7
3.2	Weighing Module.....	8
3.2.1	Types.....	8
3.2.2	Technical Specifications.....	8
3.2.3	Dimensions.....	9
3.3	PR 6241/.. Load Cell.....	10
3.3.1	General Information	10
3.3.2	Certificates.....	10
3.3.3	Dimensions.....	11
3.3.4	Ordering Information	11
3.3.5	Technical Specifications.....	12
4	Installation	13
4.1	Prior to Mounting.....	13
4.1.1	Prepare Foundation.....	13
4.1.2	Prepare Vessel Foot	14
4.2	Tightening Torques.....	16
4.3	Assembly	16
5	Connection	20
5.1	General Information	20
5.2	Load Cell.....	20
5.3	Cable Connections	21
5.4	Connection Cable.....	21

6 Preparing for Calibration 22

6.1 General Information 22

6.2 Mechanical Height Adaptation 22

7 Troubleshooting 24

7.1 Visual Check 24

7.2 Checks with Multimeter 25

7.2.1 Check Zero Output Signal of Load Cell 25

7.2.2 Checking the Strain Gauge Bridge of the Load Cell 25

7.2.3 Checking the Insulation Impedance of the Load Cell 25

7.2.4 Check Insulation Impedance of Connecting Cable 25

8 Servicing/Repairs/Cleaning 26

8.1 Servicing 26

8.1.1 Replace the Bellow 26

8.1.2 Replacing the Load Cell 28

8.2 Repairs 29

8.3 Cleaning 29

9 Disposal 30

10 Spare Parts and Accessories 30

1 Safety Precautions

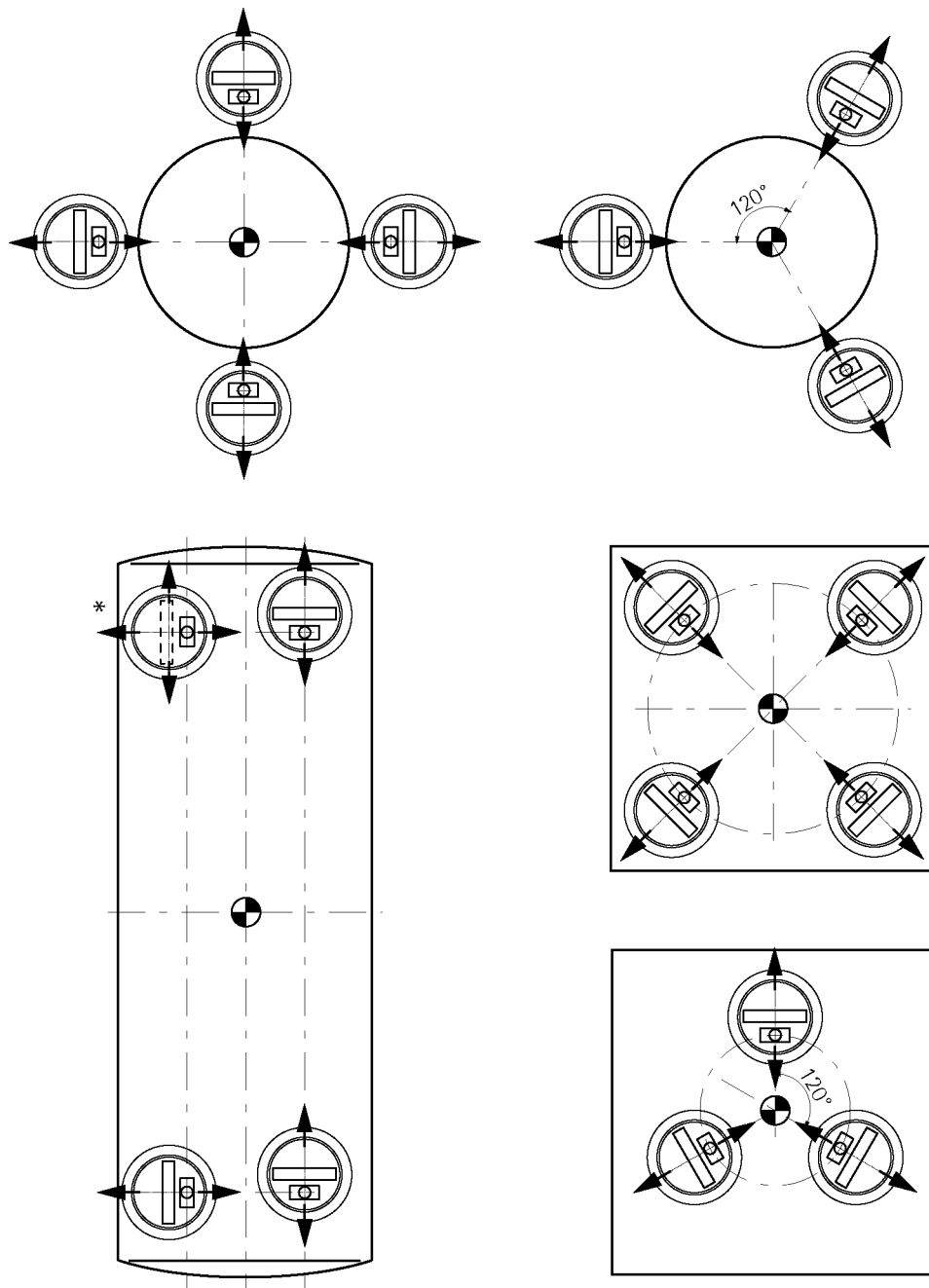
The Contego® Hygienic Weighing Module has been designed especially for weighing tasks using small and medium-sized process vessels in which ease of cleaning and avoidance of hygienically critical areas are highly important for a safe and efficient production process.

The Contego® Hygienic Weighing Module may be used only for weighing tasks as intended. The dimensions of all mounting and structural components must be calculated so that sufficient overload capacity is ensured for loads which may occur while taking the relevant standards into account. In particular, upright weighing objects (vessels etc.) must be safeguarded against the weighing installation turning over or being shifted, thus eliminating danger to humans, animals or goods even in the case of a break in a load cell or mounting element.

Installation and repair work must be carried out only by qualified personnel.

2 Design Recommendations

2.1 Location of Weighing Modules



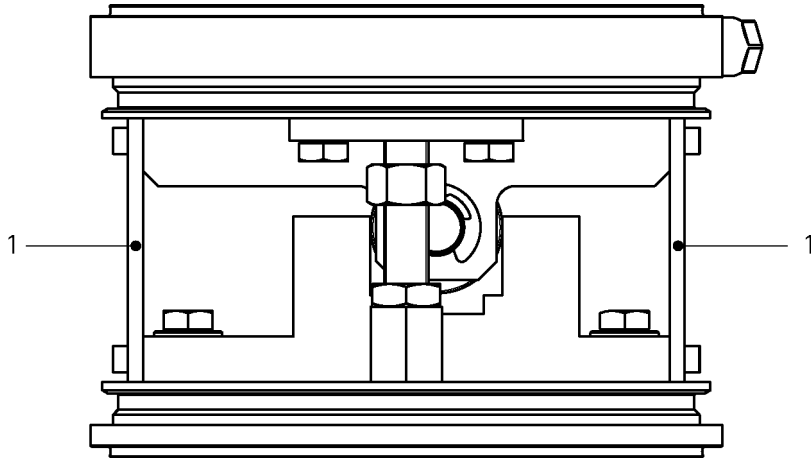
* If necessary, release or remove the stopper, to avoid distortions.

The underframe of the vessels must be strong enough to support the specified loads, horizontal (water level!) and flat. Preferably, vessels should be installed on 3 weighing modules with integrated stopper (see figure).

Parasitic forces, horizontal forces and torques are disturbances which can generate measuring failures and in case of exceeding the permissible limits may damage the load cell.

2.2 Mounting Aid

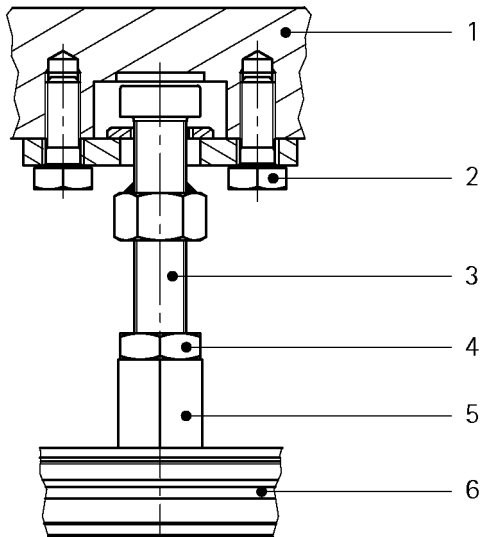
The auxiliary mounting plates (1) facilitate installation of the weighing module.



2.3 Internal Lift-Off Protector with Integrated Jack-Up

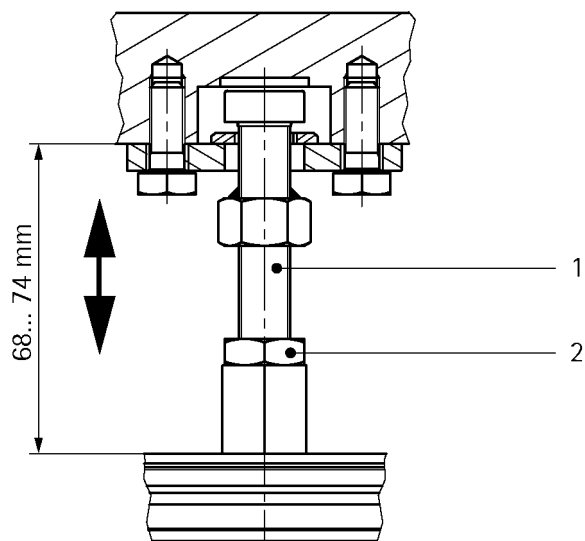
2.3.1 General Information

The Contego® Weighing Module is equipped with an internal lift-off protector, i.e. no additional borings apart from the mounting holes in the vessel foot are required. Moreover, the vessel can be lifted by turning the lift-off protector bolt (3) (see Chapter 2.3.2), e.g., when the weigh cell must be replaced.



Pos.	Description
1	Upper plate
2	Bolt (2x)
3	Lift-off protector
4	Locknut
5	Threaded bush
6	Lower plate

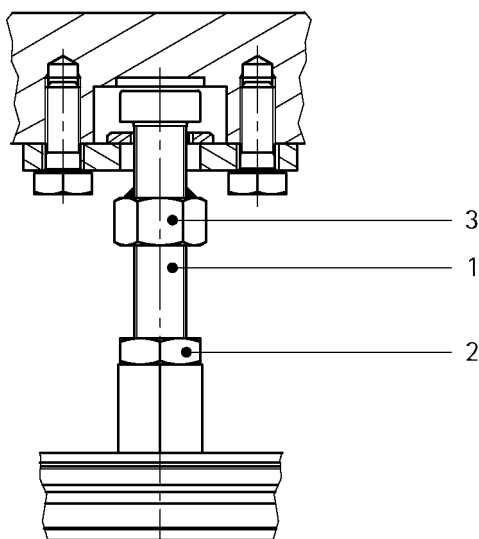
2.3.2 Jack-up



Procedure

- Release the locknut (2).
- Turn up the screw (1) at the hex to lift the vessel.
Caution: Don't lift the vessel by more than 6 mm!
Turn the bolt until the load cell is unloaded and can be removed together with the upper thrust piece.
- Insert the upper thrust piece into the new load cell.
- Insert the load cell into the mounting kit, push the load cell cable through the cable gland and block it; refer to Chapter 8.1.2.
- Adjust the internal lift-off protector; refer to Chapter 2.3.3.

2.3.3 Adjusting the Internal Lift-Off Protector

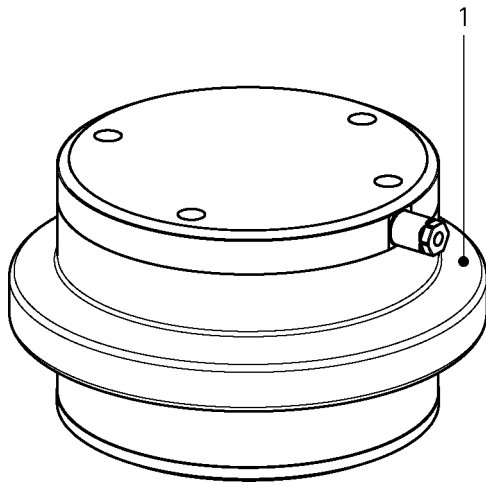


Procedure

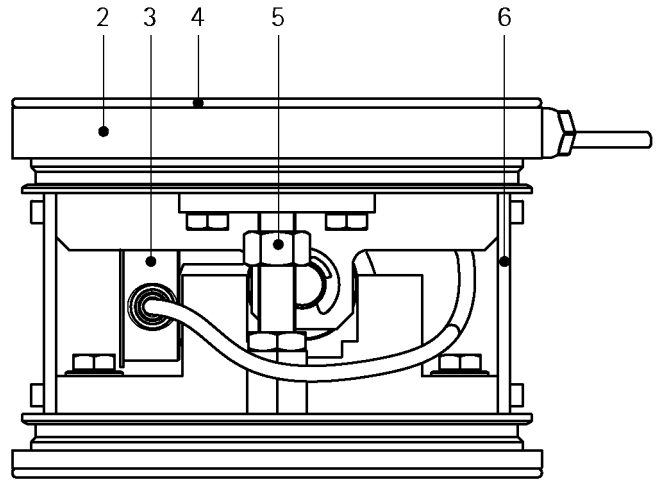
- Release the locknut (2).
- Turn the bolt (1) of the lift-off protector at the hex (3) fully down to the stop.
- Turn the bolt back by 1...1½ revolutions (approx. 2 mm) to adjust the spacing.
- Re-tighten the locknut (2).

3 Specifications

3.1 Equipment Supplied



View with bellow



View without bellow

Pos.	Description
1	Bellow
2	PR 6041/60S or PR 6041/70S mounting kit
3	PR 6241/.. load cell
4	O-ring (2x)
5	Lift-off protector/jack-up
6	Auxiliary mounting plates (2x)
Not shown:	
7	PR 6043/31S thrust piece kit
8	Bushes (2x in a bag); only for PR 6241/12...52 load cells
9	Installation manual 9499 053 24101
10	Short-form manual 9499 059 04101
11	Load cell certificate

3.2 Weighing Module

3.2.1 Types

3.2.1.1 Weighing Module Incl. Load Cell

For nominal load E_{\max}	Error class	Type*
100 kg	D1	A, Ex A, B, Ex B
200 kg	D1, C3	A, Ex A, B, Ex B
300 kg	D1, C3	A, Ex A, B, Ex B
500 kg	D1, C3	A, Ex A, B, Ex B
1 t	D1, C3	A, Ex A, B, Ex B
2 t	D1, C3	A, Ex A, B, Ex B

- * A = cable outlet on side
 B = cable outlet on top
 Ex = for installation in the explosion-hazarded area

3.2.1.2 Weighing Module without Load Cell (Service)

PR 6041/60S	Mounting kit with cable outlet on side
PR 6041/70S	Mounting kit with cable outlet on top

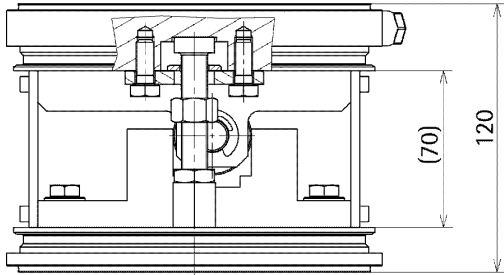
3.2.2 Technical Specifications

Permissible horizontal force		7 kN
Permissible vertical load without load cell		1.5 t
Permissible lift-off force		8 kN
Permissible force for jack-up		15 kN
Permissible temperature range		-40 °C to +95 °C
Protection classes		
	Dust and water	IP69K: Protection against dust as per DIN EN 60529 09/2000 Paragraph 13.4 Protection against water (high-pressure cleaning) as per DIN 40050 Part 9
	Explosion	Suitable for sub-groups IIA, IIB, and III for explosive atmospheres. Please ask regarding IIC compliance.
Material		
	Bellow	Silicone (FDA-compliant)
	Mounting kit	1.4404 (AISI 316L)
Weight of cpl. weighing module		
	net	approx. 11 kg
	gross	approx. 12 kg

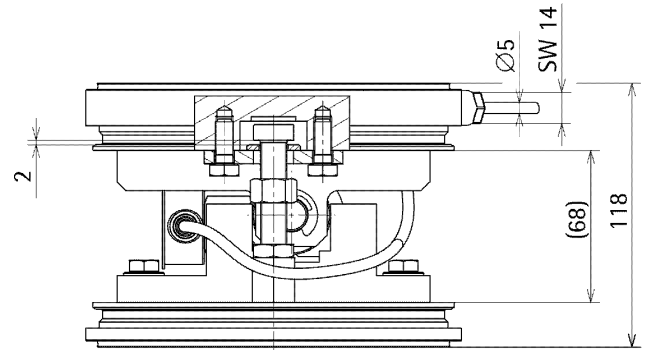
3.2.3 Dimensions

Delivered condition with mounting plates

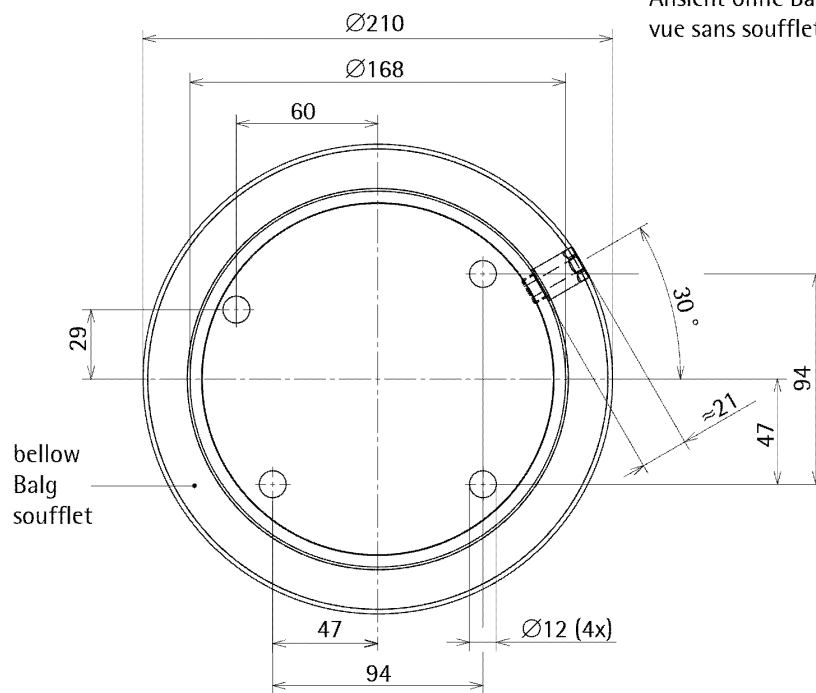
Weighing position



view without bellow
Ansicht ohne Balg
vue sans soufflet



view without bellow
Ansicht ohne Balg
vue sans soufflet



bellow
Balg
soufflet

PR 6041/60S shown

3.3 PR 6241/.. Load Cell

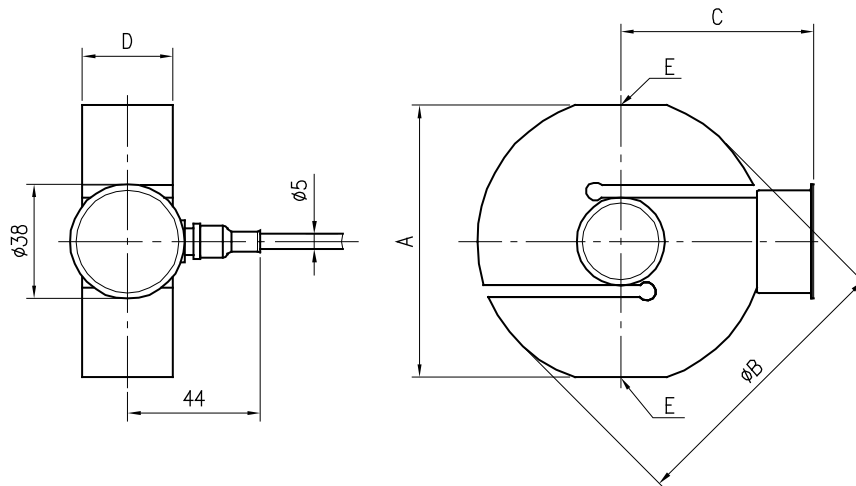
3.3.1 General Information

Design	Stainless steel 1.4542 (AISI 630), hermetically sealed by welding, filled with inert gas.		
Protection class	IP 68 (water of 1.5 m in depth; 10,000 h) acc. to IEC 60529 (corresponds to NEMA 6) IP 69K: Protection against dust as per DIN EN 60529 09/2000 Paragraph 13.4 Protection against water (high-pressure cleaning) as per DIN 40050 Part 9		
Protection type	Intrinsic safety for PR 6241/..E		
Cables	Diameter	5 mm	
	Length	5 m	
	Cross-section	4×0.35 mm ²	
	Bending radius	≥25 mm (fixed installation) ≥75 mm (repeated bending)	
	Sheath	Material:	thermopl. Elastomer
	Color:	grey (standard version) blue (Ex version)	

3.3.2 Certificates

Zone	Device marking	Certificate number	for
0 and 1	II 1G Ex ia IIC T6	PTB 02 ATEX 2059	only PR 6241/..E
20 and 21	II 1D IP65 T85°C	TÜV 03 ATEX 2301X	all PR 6241
2	II 3G Ex nA II T6	Manufacturer certificate	all PR 6241
22	II 3D Ex tD A22 IP65 T85°C	Manufacturer certificate	all PR 6241
	Class I, II, II Div 1, Group A, B, C, D, E, F, G T5 at T _{max} = 55°, T4A at T _{max} = 70°	FM: 3001200 CSA: 1058582	all PR 6241

3.3.3 Dimensions



all dimensions in mm

Type	A [mm]	B [mm]	C [mm]	D [mm]	E [mm]
PR 6241/12...52	60	65	50	23	M12
PR 6241/13...23	60	65	50	30	M12

3.3.4 Ordering Information

Type	Nominal load E_{max}	Version	Ex version
PR 6241/12	100 kg	/..D1	/..D1E
PR 6241/22	200 kg	/..D1, /..C3	/..D1E, /..C3E
PR 6241/32	300 kg	/..D1, /..C3	/..D1E, /..C3E
PR 6241/52	500 kg	/..D1, /..C3	/..D1E, /..C3E
PR 6241/13	1 t	/..D1, /..C3	/..D1E, /..C3E
PR 6241/23	2 t	/..D1, /..C3	/..D1E, /..C3E

3.3.5 Technical Specifications

			D1	C3	
Accuracy class			0.04	0.015	% E_{max}
Minimum dead load	lowest limit of specified measuring range	E_{min}	0	0	% E_{max}
Maximum capacity	highest limit of specified measuring range	E_{max}	see Chapter 3.3.4		
Max. usable load	upper limit for measurements	E_u	150	150	% E_{max}
Destructive load	danger of mechanical destruction	E_d	>300	>300	% E_{max}
Min. LC verification interval	minimum load cell verification interval, ($v_{min}=E_{max}/Y$)	Y	5,000	14,000	
Deadload Return	factor for min. dead load output return ($DR = 1/2 * E_{max}/Z$)	Z	1,000	3,000	
Rated output	relative output at nominal load	C_n	2	2	mV/V
Tolerance on rated output	permissible deviation from rated output	d_c	< 0.25	< 0.07	% C_n
Zero output signal	load cell output signal under unloaded condition	S_{min}	< 1.0	< 1.0	% C_n
Repeatability error	max. change in load cell output for repeated loading	ϵ_R	< 0.01	< 0.005	% C_n
Creep, during 30 min.	max. change in load cell output under nominal load	d_{cr}	< 0.03	< 0.015	% C_n
Non - Linearity	max. deviation from best straight line through zero	d_{lin}	< 0.03	< 0.01	% C_n
Hysteresis	max. difference in load cell output when loading from zero to nominal load and unloading back to zero	d_{hy}	< 0.04	< 0.015	% C_n
Temperature effect on S_{min}	max. change of $S_{min}/10K$ DT over B_T referred to C_n	$TK_{S_{min}}$	< 0.028	< 0.01	% $C_n/10K$
Temperature effect on C	max. change of C /10K DT over BT referred to C_n	TK_c	< 0.03	< 0.01	% $C_n/10K$
Input impedance	between supply terminals	R_{ic}	650 ± 6	650 ± 6	Ω
Output impedance	between measuring terminals	R_o	610 ± 1	610 ± 0.5	Ω
Insulation impedance	between measuring circuit and housing 100V _{DC}	R_{is}	> 5,000	> 5,000	M Ω
Recommended supply voltage	to hold the specified performance	B_u	4... 24	4... 24	V
Max. supply voltage	permissible for continuous operation without damage, Ex-versions	U_{max}	28 25	28 25	V
Nominal ambient temp. range	to hold the specified performance	B_T	-10... +55	-10... +55	° C
Usable ambient temp. range	permissible for continuous operation without damage	B_{Tu}	-40... +95	-40... +95	° C
Storage temperature range	Transportation and storage	B_{Tt}	-40... +95	-40... +95	° C
Vibration resistance	resistance against oscillation (IEC 68-2-6 Fc)	-	20g, 100h, 10... 150Hz	20g, 100h, 10... 150Hz	
Air pressure effects	influence of ambient air pressure on S_{min}	$PK_{S_{min}}$	≤ 0.005	≤ 0.002	% C_n /kPa
Nominal deflection	max. elastic deformation under nominal load	S_{nom}	< 0.5	< 0.3	mm

Definitions acc. to VDI / VDE 2637

The technical data given here serve only as a product description and must not be interpreted as guaranteed characteristics in the legal sense.

4 Installation

4.1 Prior to Mounting

4.1.1 Prepare Foundation

The foundation must be designed as follows for the weighing module:

- horizontal (water level!) supporting/sealing surface
- flat supporting/sealing surface
- sufficient load carrying capacity for the provided loads



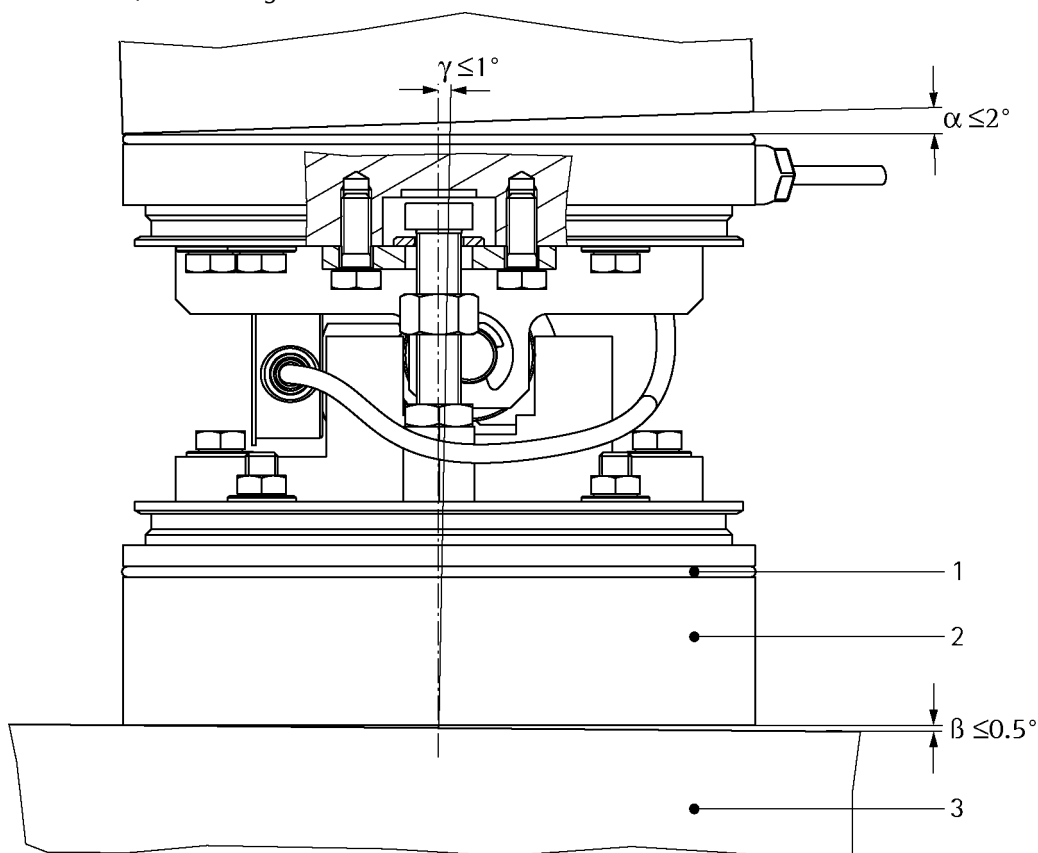
Caution:

To ensure tightness, we recommend using a PR 6041/80S adaptor plate.

The joint between the foundation (3) and adaptor plate (2) must be sealed.

If no adaptor plate is used, the leak-tightness between the lower plate of the weighing module and the foundation (3) must be ensured using an O-ring (1).

The load distribution must be as even as possible to prevent overload of the individual load cells. The weighing module foundations should be at the same level and the supporting surfaces of the weighing object (e.g. vessel) must be arranged in parallel. It is imperative to observe the maximum permissible inclination; refer to figure.



4.1.2 Prepare Vessel Foot

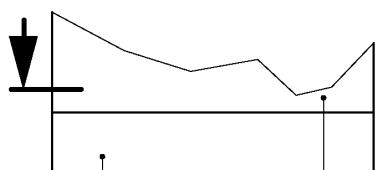


Caution!

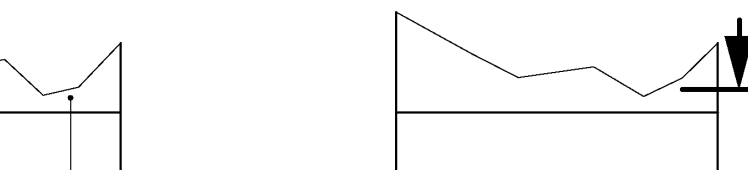
Create the drilling pattern of the upper plate of the weighing module (see Chapter 3.2.3) for each vessel foot depending on the location of weighing modules (see Chapter 2.1).

Note: The diameters of the vessel foot, vessel leg, and lower plate of the weighing module (see Chapter 3.2.3) must be the same for easy cleaning of the weighing module.

Location example for 3 weighing modules



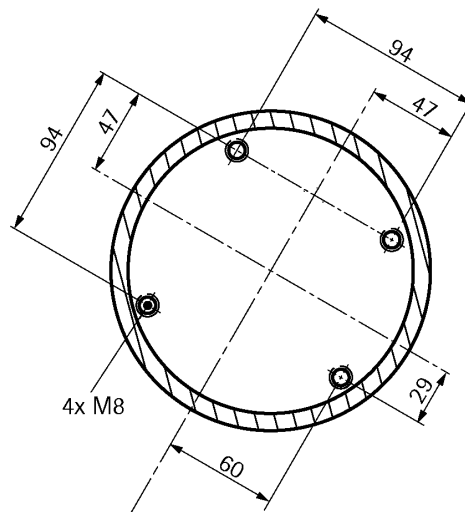
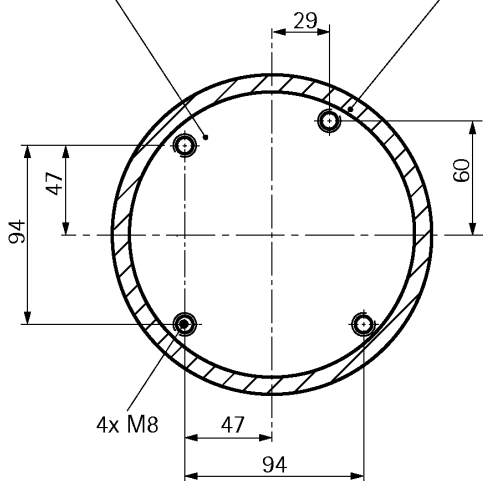
vessel foot
Behälterfuß
pied de la citerne



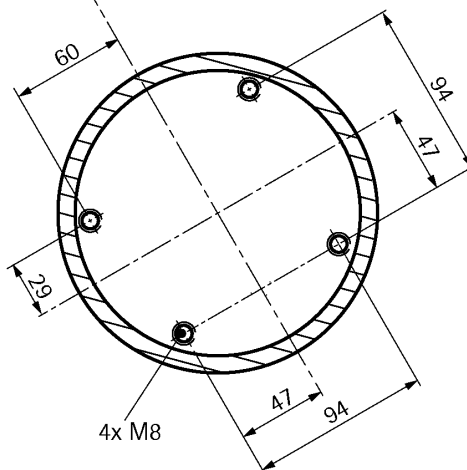
vessel leg
Behälterbein
jambe de la citerne

vessel foot
Behälterfuß
pied de la citerne

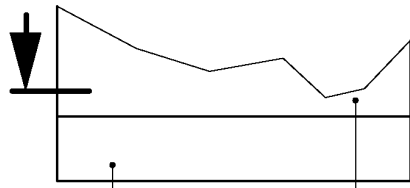
vessel leg
Behälterbein
jambe de la citerne



120°

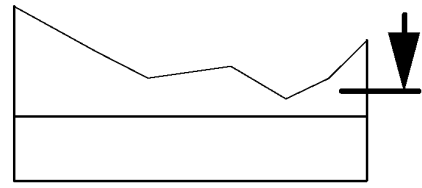


Location example for 4 weighing modules



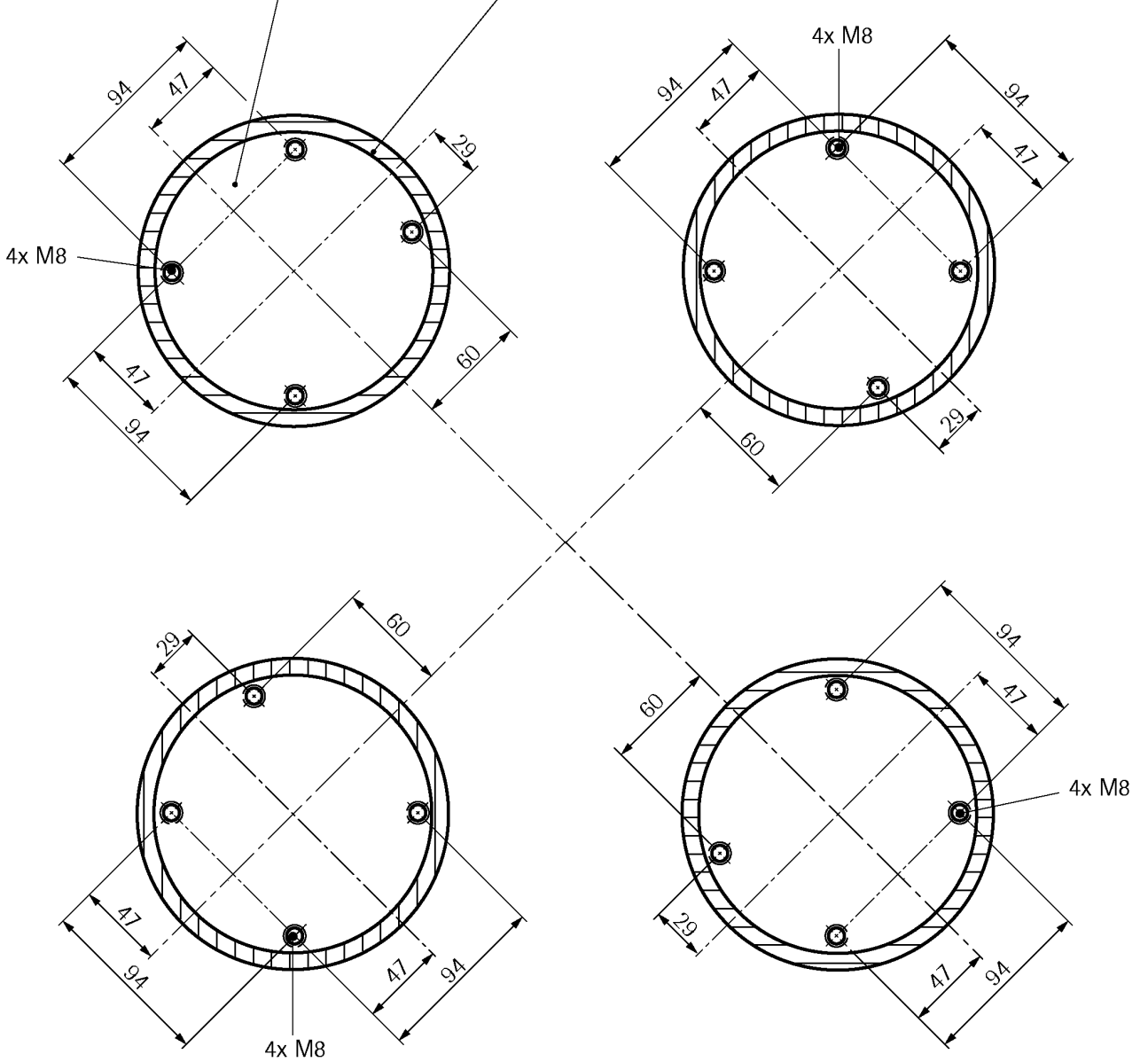
vessel foot
Behälterfuß
pied de la citerne

vessel leg
Behälterbein
jambe de la citerne



vessel foot
Behälterfuß
pied de la citerne

vessel leg
Behälterbein
jambe de la citerne



4.2 Tightening Torques

The required tightening torques are given in the following table:

Mounting parts	Thread	Washer [mm]	Tightening torque
Upper plate	M8-A2-70	*	16.5 Nm
Lower plate	M8-A2-70	*	16.5 Nm
Lift-off protector	M8-A2-70		16.5 Nm
Threaded bush	M18×2		68.0 Nm
Stopper	M8-A2-70		16.5 Nm

* Recommendation for the washers of M8 mounting bolts:
DIN7349 (d = 21, h = 4) or DIN 9021 or ISO 7093-2 (d = 24, h = 2)

4.3 Assembly



Warning:

The vessel may turn over during mounting.

- Securing the vessel against tipping is imperative.
- Use an appropriate lifting jack.

Note:

The weighing module is delivered preassembled.

The lift-off protector (3) is adjusted in a way that the load cell is unloaded. Thus overloading the load cell during installation is prevented.

When using adaptor plates, a 13 mm socket wrench with insert according to DIN 3124 (long version) is required for mounting.

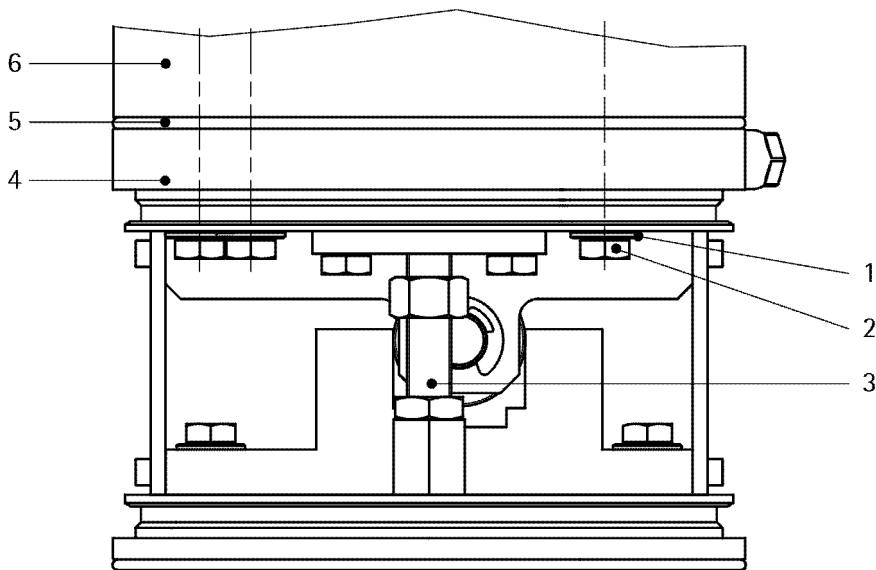


Caution:

The bellow and the O-rings are delicate mounting parts.

Don't use sharp-edged tools.

Note: The following operations must be performed at all supporting points (e.g. vessel foot) of the weighing object (e.g. vessel)!



Procedure

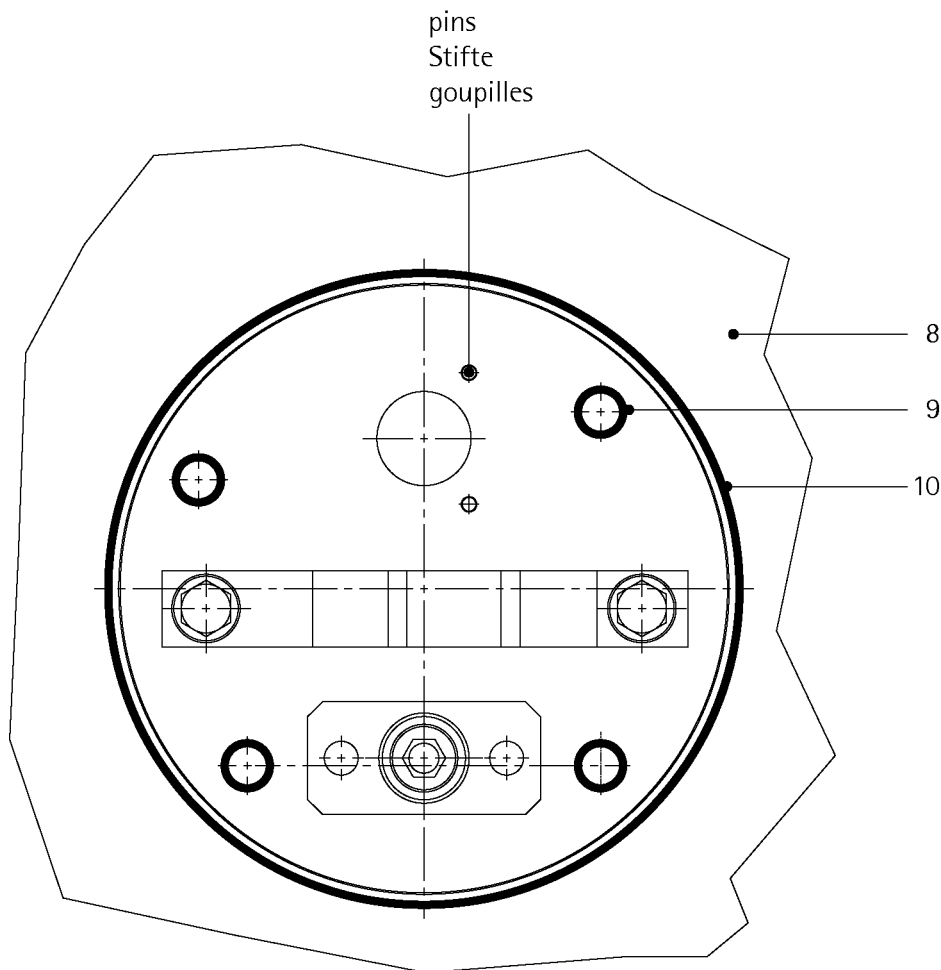


Caution:

The following contact surfaces must be clean and even to ensure reliable sealing:

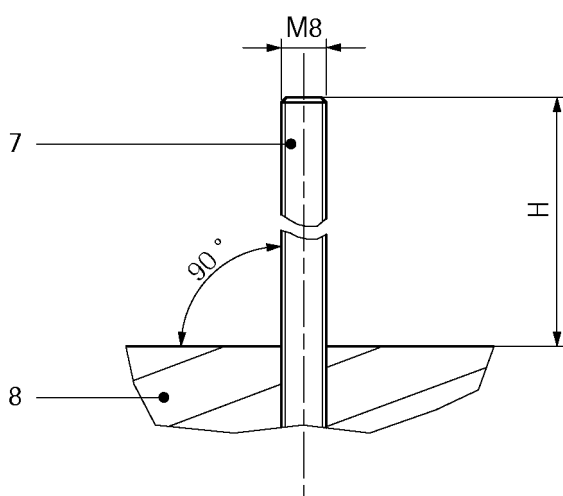
- between upper plate and vessel foot
 - between lower plate, adaptor plate (if any) and foundation
- Check, if all threaded holes required for mounting (see Chapter 4.1.2) in the vessel foot (6) are provided.
 - Insert the O-ring (5) into the groove of the upper plate (4) and put the weighing module under the vessel foot (6).
 - Slip the bellow (not shown) over the mounting kit and the vessel foot (6) carefully so that the mounting kit remains accessible for mounting.
 - Fit the mounting kit to the vessel foot (6). It is essential to observe the property classes and tightening torques of bolts (2) and washers (1); refer to Chapter 4.1.2.

- Position the vessel on the foundation (8).
- Mark the boreholes (9) and the seating (10) (outline) of the lower plate on the foundation (8), see figure.



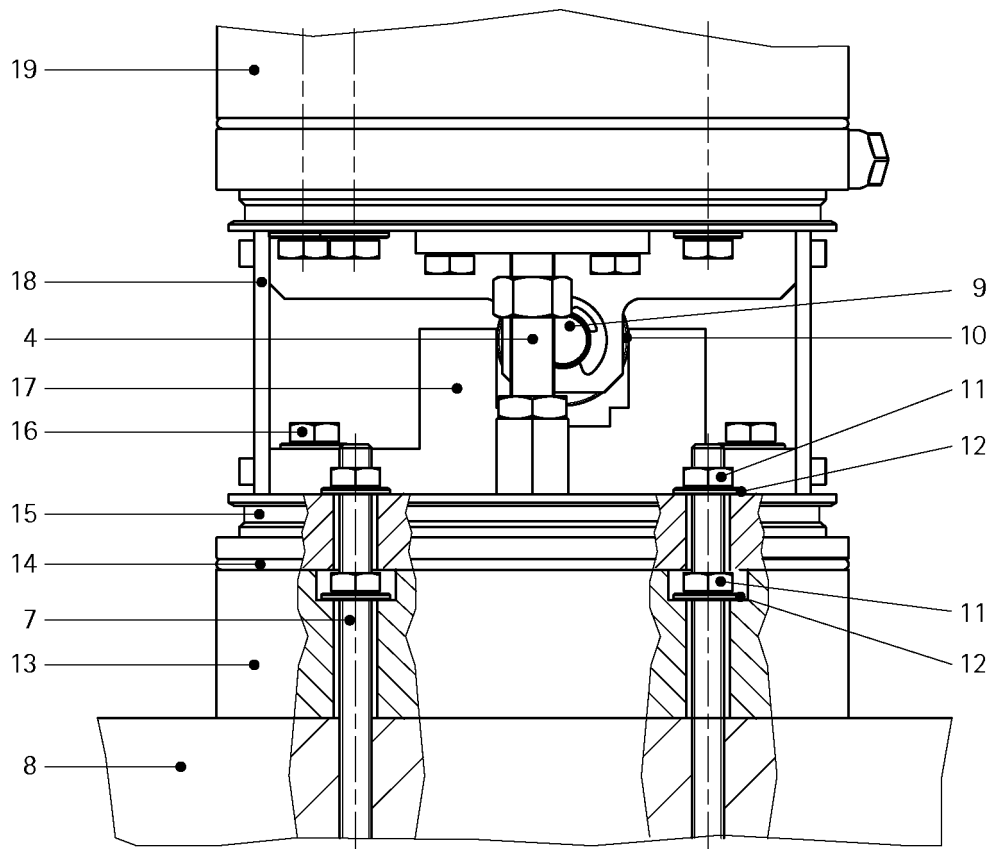
Shown without upper plate and load cell

- Lift the vessel.
- Make the borings for the threaded pins/stud bolts (7).



	H
without adaptor plate	35 mm
with adaptor plate	75 mm

- It is indispensable to insert the threaded pins/stud bolts (7) vertically with the required height 'H'.



When using PR 6041/80S adaptor plates (13):

- Place the adaptor plate (13) onto the foundation (8) within the outline marking (see page 18).
- Mount the adaptor plate using bolts (13). It is essential to observe the property classes and tightening torques of nuts (11) and washers (12); refer to Chapter 4.1.2.
- Insert the O-ring (14) into the groove of the lower plate (15).
- Lower the vessel (19) to the foundation (8)/adaptor plates (13) and mount the lower plate (15) using bolts. It is essential to observe the property classes and tightening torques of nuts (11) and washers (12); refer to Chapter 4.1.2.
- Only applicable to PR 6241/12...52 load cells:
Take the two bushes out of the bag and fit them on the two pins (see page 18).
- Remove the auxiliary mounting plates (18) (if necessary, unload them using the jack-up).
- Release the locknut (2), see Chapter 2.3.3.
- Turn the bolt (1) of the lift-off protector at the hex (3) down slowly to lower the vessel to the load cell and adjust the internal lift-off protector (4), see Chapter 2.3.3.
- Check whether pivot (9) or/and roller (10) can move freely.
- If pivot (9) or/and roller (10) cannot be moved, the weighing module is distorted and must be adjusted:
 - Release the bolts (16).
 - Shift the stopper (17), until pivot (9) or/and roller (10) can move freely again.
 - Re-tighten the bolts (16). Make sure to use the correct tightening torques, see Chapter 4.1.2.
- Shift off the bellow from the vessel foot.
- Fit the bellow, press it firmly into the groove of the upper and lower plate circumferentially, and make sure that the transitions are flush.

5 Connection

5.1 General Information



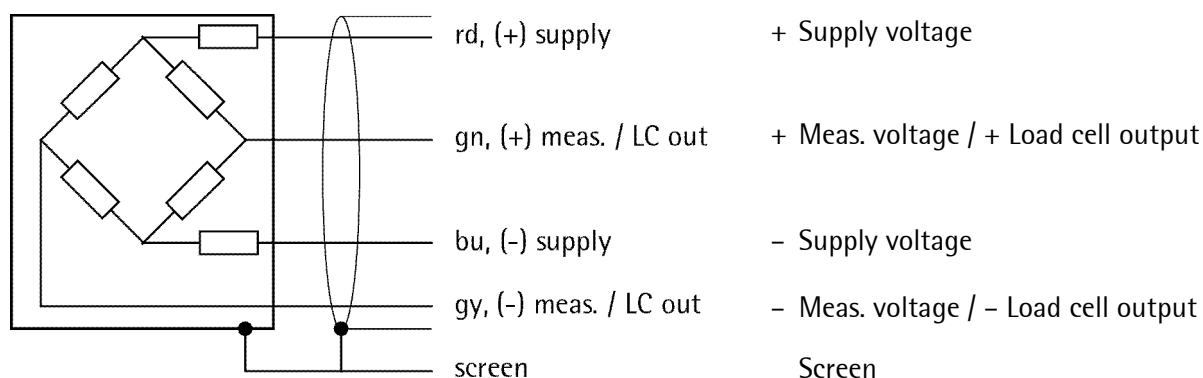
Caution:

The load cell cable end is protected against contamination and moisture by a protective sheathing.

Remove the protective sheathing only shortly before connecting!

- Protect the cable ends against contamination. No moisture must penetrate into the open cable end.
- Don't shorten the load cell connecting cable. Connect the prepared cable end and roll up the remaining cable.
- The cable screen may be connected only to the connecting terminals of the indicator.
- Keep the load cell cables away from power cables.
- The distance between the measuring cables and the power cables or components under high voltage should be at least 1 m (reference value).
- We recommend laying the load cell cables in separate cable trays or armored steel pipes.
- Power cables should be crossed at right angles.

5.2 Load Cell



Colour Code

rd = red

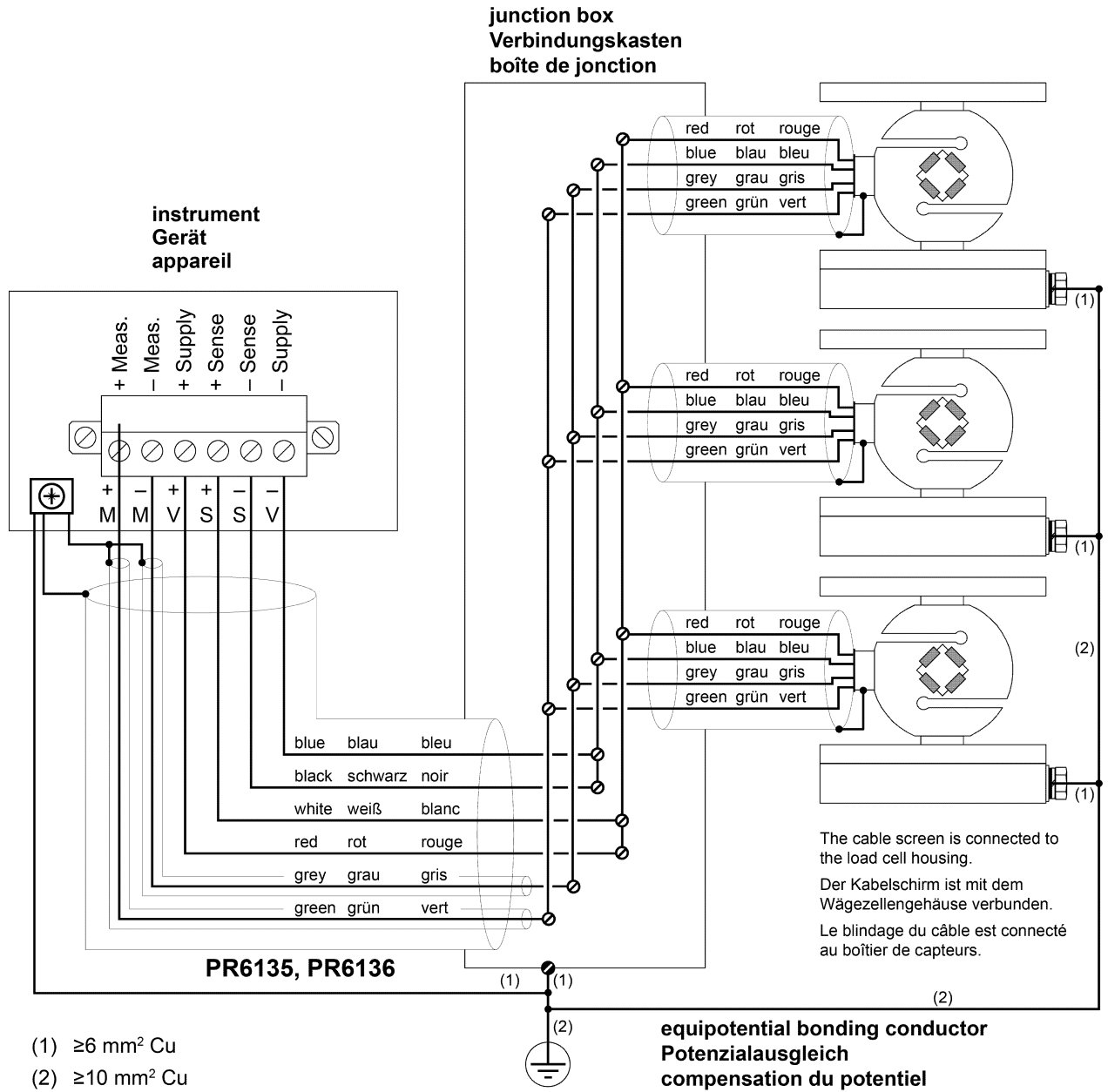
bu = blue

gn = green

gy = grey

5.3 Cable Connections

Note: Instrument and weighing module are shown only schematically.



5.4 Connection Cable

For connection from the junction box to the weighing electronics, we recommend using the following connecting cables:

- PR 6135
- PR 6136 (for installation inside the explosion-hazarded area)
- PR 6135A (armored)
- PR 6136A (armored, for installation inside the explosion-hazarded area)

6 Preparing for Calibration

6.1 General Information

Note: For calibration of the measuring system, please refer to the manual of the weighing instrument.



Caution:

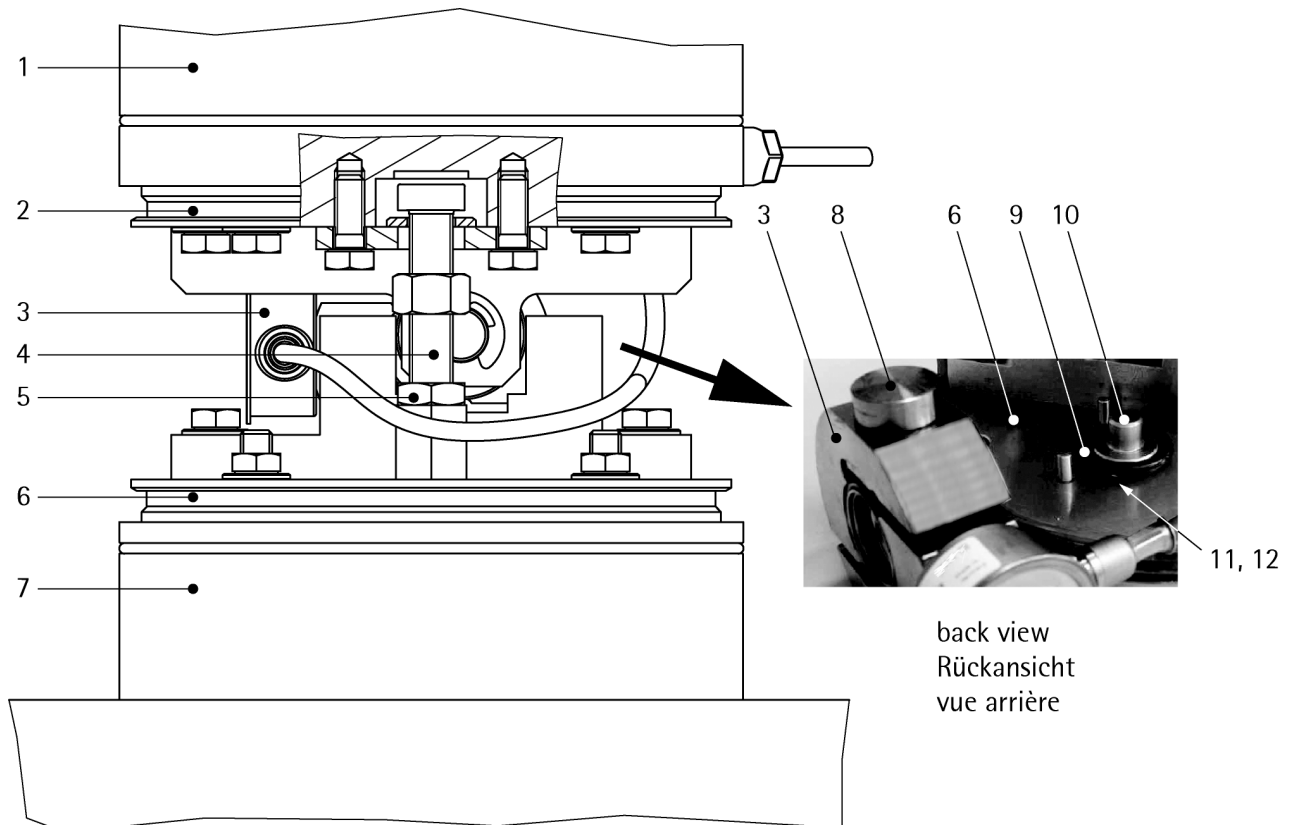
A warming-up time of at least 30 minutes for the load cell is required before calibration of the weighing installation.

6.2 Mechanical Height Adaptation

To distribute the load to the load cells as evenly as possible, height adaptation is required prior to calibration in systems with more than 3 load cells.

- Apply the dead load to the load cell (e.g.: empty vessel).
- Energize the load cells with a stabilized voltage of e.g. 12 V DC.
- Measure the output voltages of each individual load cell by means of a voltmeter and compare the individual values.

The load applied to the weighing module weigh cell with the lowest output voltage must be increased by inserting shims underneath.



Procedure

- Slip the bellow (not shown) upwards over the mounting kit and the vessel foot (1) or downwards over the adaptor plate (7) carefully.
- Release the locknut (5).
- Turn the bolt (4) at the hex until the weigh cell (3) is unloaded and can be removed together with the two load discs [O-ring (9) of the lower load disc (10) may not be misplaced].
- Remove the socket (11) from the lower plate (6) recess (12) (use a short piece of Scotch tape or a screwdriver if necessary).
- Lay thin, deburred shims (max. 2 mm total thickness) into the recess (12).
- Insert the socket (11) and lower thrust piece (10) including O-ring (9) into the recess (12) of the lower plate (6).
- Insert the upper thrust piece (8) into the weigh cell (3).
- Place the weigh cell (3) onto the lower thrust piece (10).
- Slowly turn the lift-off protector bolt (4) at the hex downwards to lower the vessel onto the weigh cell. Make sure that the upper thrust piece (8) slides into the recess of the upper plate (2).
- Measure the output voltages of the weigh cells again and correct the height of this weigh cell or another one.
- Adjust the internal lift-off protector; refer to Chapter 2.3.3.
- Fit the bellow, press it firmly into the groove of the upper and lower plate circumferentially, and make sure that the transitions are flush.

7 Troubleshooting

The following hints will enable a technician to do a first diagnostic or help in case of wrong or non-reproducible weighing results after commissioning and calibration.

7.1 Visual Check

Weighing facility	Are all pipes, hoses, and cables connected as flexibly as possible? Are the connections flexible and coupled horizontally? Are devices which are rigidly connected to the weighing facility in direct contact with the surrounding installation? Is there friction between the weighing facility and its surrounding (e.g. dirty apertures etc.)?
Junction box	Has moisture penetrated into the junction box? Do all solder or screw connections provide safe contact?
Connecting cables	Is the sheath damaged? Has moisture penetrated the sheath?
Mounting kit	Is there a contact between lift-off protection and the weighing facility itself? Is the stopper jammed?
Load cell	Does the load cell stand vertically? Is the measuring chamber cover damaged? Is the sheath of the cable damaged? Has moisture penetrated the cable?

7.2 Checks with Multimeter

7.2.1 Check Zero Output Signal of Load Cell

- Unload load cell.
- Disconnect the load cell measuring outputs.
- Check whether the output voltage without load is within the limits.

Type	Zero output signal
D1, C3	0 mV \pm 0.02 mV/V

7.2.2 Checking the Strain Gauge Bridge of the Load Cell

- Do not exceed the test voltage.
- Check whether the values of the resistors are within the permissible limits.

Maximum test voltage	Standard industrial	28 V DC
	intrinsically safe version (PR .../...E)	25 V DC

Type	Input impedance (red core, blue core)	Output impedance (green core, gray core)
D1	650 Ω \pm 6 Ω	610 Ω \pm 1 Ω
C3	650 Ω \pm 6 Ω	610 Ω \pm 0.5 Ω

7.2.3 Checking the Insulation Impedance of the Load Cell

- Never apply the test voltage between the cores of the load cell cable (danger of destroying the load cell).
- Insulate the load cell cores.

Maximum test voltage	Standard industrial	100 V DC
	Intrinsically safe version (PR .../...E)	500 V AC
Insulation impedance	Core - housing	>5000 M Ω
	Core - screen	>5000 M Ω
	Screen - housing	>5000 M Ω

7.2.4 Check Insulation Impedance of Connecting Cable

- Disconnect connecting cable and load cells.
- Insulate the cores of the connecting cable.

Insulation impedance	Core - core	\geq 600 M Ω \times km
	Core - screen	\geq 600 M Ω \times km

8 Servicing/Repairs/Cleaning

8.1 Servicing

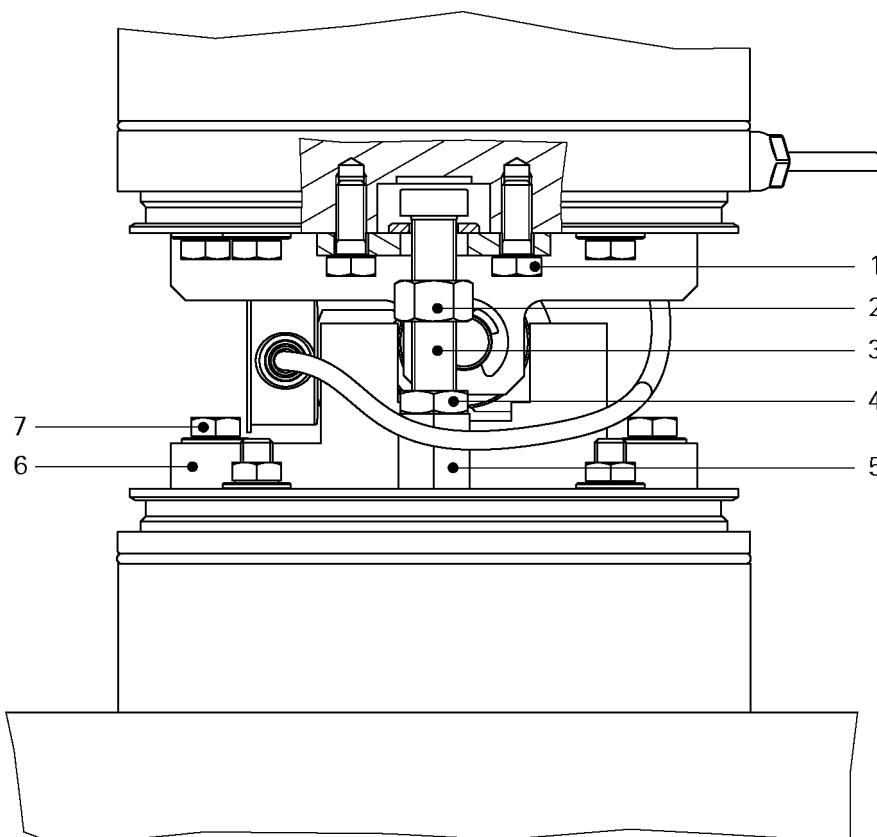
8.1.1 Replace the Bellow



Warning:

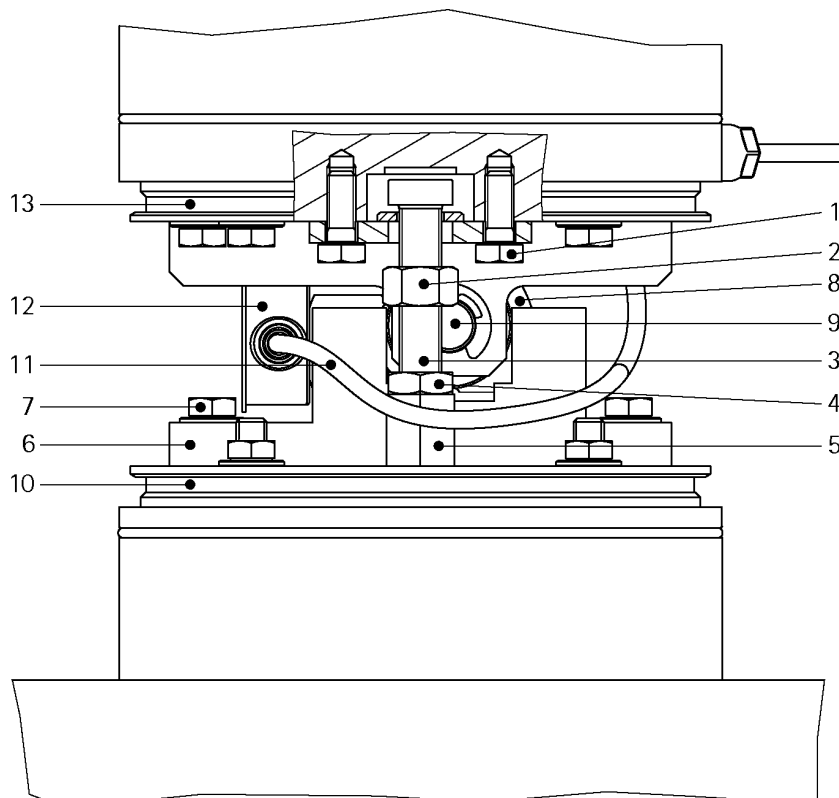
The vessel may turn over during mounting.

Securing the vessel against tipping is imperative.



Procedure

- Remove a defective bellow (not shown) and discard it according to the local regulations.
- Release and remove the bolts (7).
- Fold the stopper (6) onto the bottom plate and withdraw it sideways together with the film.
- Release and remove the bolts (1).
- Release the locknut (4) and screw the bolt of the lift-off protector (3) at the hex (2) into the threaded bush (5).
- Release and remove the threaded bush (secured with Loctite) with the complete lift-off protector (3).

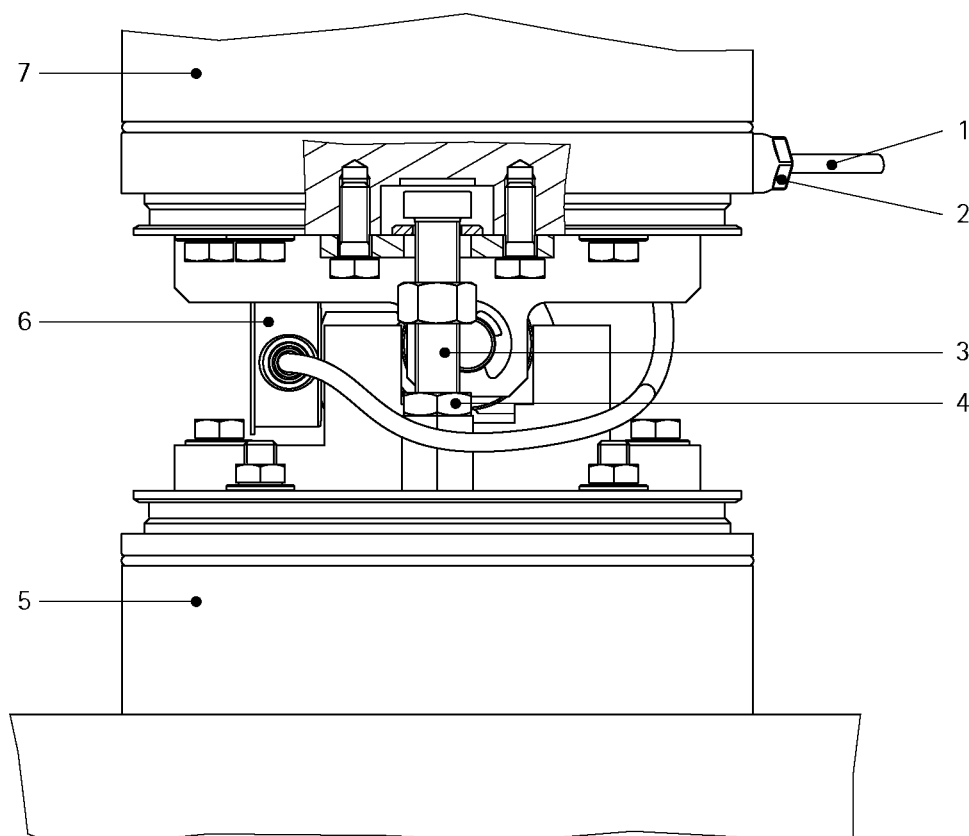
**Caution:**

The load cell cable must be positioned above the bellow and in front of the lift-off protector.

Securing the threaded bush with Loctite is imperative.

- Insert a new bellow (not shown) into the weighing module carefully, until the threaded bush (5) with the lift-off protector (3) can be re-mounted. Make sure to use the correct tightening torques, see Chapter 4.1.2.
- Re-tighten the bolts (1).
- Turn up the bolt of the lift-off protector (3) at the hex (2) to lift the vessel. Turn the bolt, until the load cell (12) is unloaded and can be removed together with the upper thrust piece.
- Pull the bellow (not shown) to the rear completely and revert the upper bead to the inside.
- Insert the load cell (12).
- Turn the bolt (1) of the lift-off protector at the hex (3) downwards slowly to lower the vessel to the load cell. Make sure that the upper thrust piece slides into the recess of the upper plate (13).
- Shift the reverted bellow up to adjust the lift-off protector (3); refer to Chapter 2.3.3.
- Re-screw the stopper (6) together with the film on the lower plate (10). Make sure to use the correct tightening torques, see Chapter 4.1.2.
- If pivot (9) or/and roller (8) cannot be moved, the weighing module is distorted and must be adjusted:
 - Release the bolts (7).
 - Shift the stopper (9) until pivot (9) or/and roller (8) can move freely again.
 - Re-tighten the bolts (7). Make sure to use the correct tightening torques, see Chapter 4.1.2.
- Fit the bellow, press it firmly into the groove of the upper and lower plate circumferentially, and make sure that the transitions are flush.

8.1.2 Replacing the Load Cell

**Caution:**

Do not lift or transport the load cell on its cable.

Note:**Load cell cable gland**

When turning, the position of the gland remains unchanged.
Only the inner clamping is released.

Procedure

- Slip the bellow (not shown) upwards over the mounting kit and the vessel foot (7) or downwards over the adaptor plate (5) carefully so that the mounting kit remains accessible for mounting.
- Release the locknut (4).
- Turn up the bolt (3) at the hex to lift the vessel. Turn the bolt (3) until the load cell (6) is unloaded and can be removed.
- Release the gland (2) (see also the note) only until the load cell cable (1) can be withdrawn.
- Remove the load cell (6) from the mounting kit and take the upper thrust piece out of the load cell. Socket with lower thrust piece (including O-ring) remain in the lower plate.

- Insert the upper thrust piece into the new load cell.
- Insert the load cell (6).
- Turn the bolt (1) of the lift-off protector at the hex (3) downwards slowly to lower the vessel to the load cell. Make sure that the upper thrust piece slides into the recess of the upper plate (13).
- Pull the load cell cable (1) through the borehole intended for this purpose in the upper plate and the cable gland (2) and insert it in stress-relieved position (loop).
The cable must not be in contact with the bellow inside later!
- Tighten the cable gland (2).
- Adjust the internal lift-off protector; refer to Chapter 2.3.3.
- Fit the bellow, press it firmly into the groove of the upper and lower plate circumferentially, and make sure that the transitions are flush.

8.2 Repairs



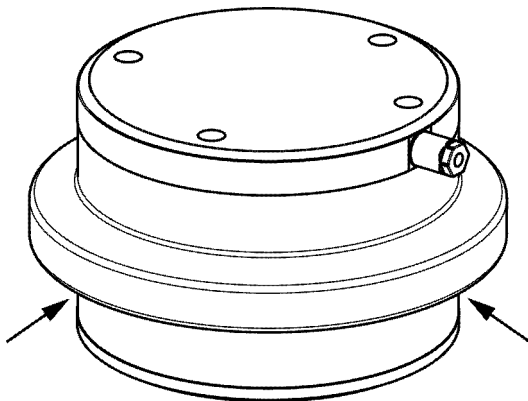
Caution:

The PR 6241 load cells are designed as robust as possible for the required measuring accuracy and have a high reliability. In case of an electrical or mechanical defect the load cell must be replaced.

A load cell repair is not possible.

Note: For spare parts, refer to Chapter 10.

8.3 Cleaning



The weigh module is easy to clean.

It can be spray-washed with water (see IP69K specification).

The following must be observed:

- Spray the water jet from top to bottom and around the weigh module.
- Take particular care that the underside of the fold (see arrow) is also washed.



Caution!

When using cleaning agents, ensure that their compatibility with the weigh module material has been tested and approved (see Chapter 3.2.2).

9 Disposal

If you no longer need the packaging after successful installation of the equipment, you should return it for recycling. The packaging is made from environmentally friendly materials and is a valuable source of secondary raw material.

10 Spare Parts and Accessories

Pos.	Description	Max. capacity	Order no.
1	PR 6043/31S* thrust piece kit	100 kg...2 t	9405 360 43312
2	Bushes	100...500 kg	4012 101 70841
3	PR 6135/.. connection cable		9405 361 35 . .2
4	PR 6136/.. connection cable, for installation inside the explosion-hazarded area		9405 361 36 . .1
5	PR 6130/04 cable junction box		9405 361 30041
6	PR 6130/08 cable junction box		9405 361 30081
7	PR 6130/64Sa* cable junction box, for installation inside the explosion-hazarded area		9405 361 30642
8	PR 6130/68Sa* cable junction box, for installation inside the explosion-hazarded area		9405 361 30682
9	PR 6041/80S adaptor plate		9405 360 41802
10	Bellow		5312 530 28003
11	O-rings (qty: 2)		5312 530 58007
12	Cable gland (on side)		5312 505 48021
13	Cable gland (at the top)		5312 505 48022
14	Pivot kit (incl. locking rings, pivot and roller)		5312 525 48003
15	Film		5312 693 98119

Inhaltsverzeichnis

1	Sicherheitshinweise	3
2	Aufbauempfehlungen	4
2.1	Anordnung der Wägemodule	4
2.2	Montagehilfe	5
2.3	Interne Abhebesicherung mit integrierter Ein- und Ausbauhilfe.....	5
2.3.1	Allgemeines	5
2.3.2	Ein- und Ausbauhilfe (Jack-up).....	6
2.3.3	Interne Abhebesicherung einstellen.....	6
3	Spezifikation	7
3.1	Lieferumfang	7
3.2	Wägemodul	8
3.2.1	Typen	8
3.2.1.1	Wägemodul inkl. Wägezelle	8
3.2.1.2	Wägemodul ohne Wägezelle (Service)	8
3.2.2	Technische Daten	8
3.2.3	Abmessungen	9
3.3	Wägezelle PR 6241/..	10
3.3.1	Allgemeines	10
3.3.2	Zertifikate	10
3.3.3	Abmessungen	11
3.3.4	Bestellinformation.....	11
3.3.5	Technische Daten	12
4	Installation	13
4.1	Vor der Montage	13
4.1.1	Fundament vorbereiten	13
4.1.2	Behälterfuß vorbereiten	14
4.2	Anzugsmomente.....	16
4.3	Montage	16
5	Anschluss	20
5.1	Allgemeines.....	20
5.2	Wägezelle.....	20
5.3	Kabelverbindungen	21
5.4	Verbindungskabel.....	21

6	Vorbereitung zur Justierung	22
6.1	Allgemeines.....	22
6.2	Mechanischer Höhenausgleich	22
7	Fehlersuche	24
7.1	Sichtprüfung	24
7.2	Messtechnische Prüfungen	25
7.2.1	Nullsignal der Wägezelle überprüfen.....	25
7.2.2	DMS Brückenschaltung der Wägezelle überprüfen.....	25
7.2.3	Isolationswiderstand der Wägezelle überprüfen	25
7.2.4	Isolationswiderstand des Verbindungskabels überprüfen.....	25
8	Instandhaltung/Reparatur/Wartung	26
8.1	Instandhaltung	26
8.1.1	Balg austauschen	26
8.1.2	Wägezelle austauschen	28
8.2	Reparatur	29
8.3	Reinigung.....	29
9	Entsorgung	30
10	Ersatzteile und Zubehör	30

1 Sicherheitshinweise

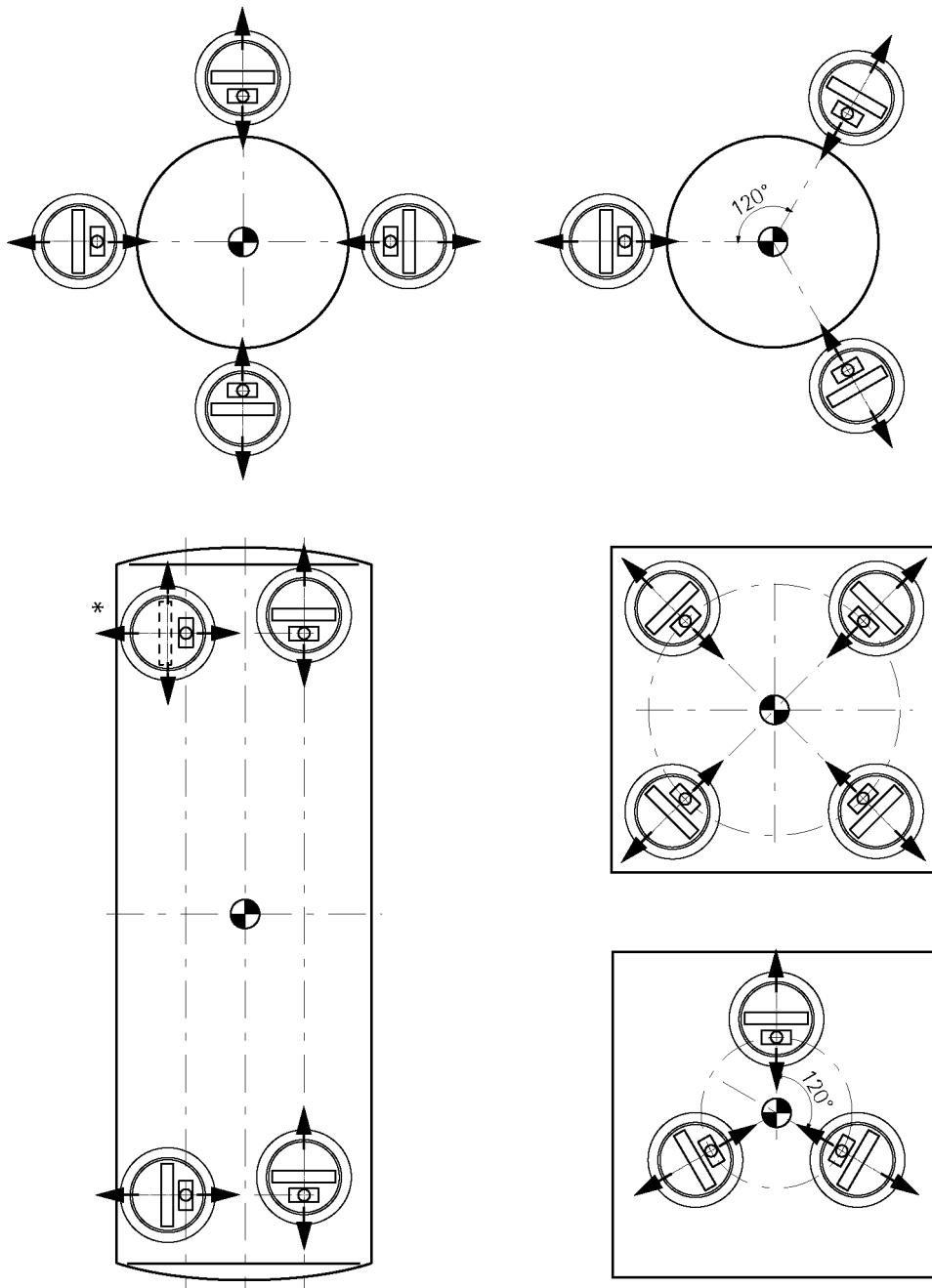
Das Hygienische Wägemodul Contego® ist speziell für Wägaufgaben bei kleinen und mittleren Prozessbehältern konzipiert, bei denen eine leichte Reinigungsfähigkeit und die Vermeidung von hygienisch kritischen Bereichen eine hohe Bedeutung für einen sicheren und effizienten Herstellungsprozess haben.

Das Hygienische Wägemodul Contego® darf nur bestimmungsgemäß für Wägaufgaben eingesetzt werden. Sämtliche Einbau- und Konstruktionsteile sind so zu dimensionieren, dass sie unter Beachtung der entsprechenden Normen eine genügend große Überlastfestigkeit für alle eventuell auftretenden Lasten sicherstellen. Insbesondere sind stehende Wägeobjekte (Behälter o. ä.) so zu sichern, dass ein Umkippen oder Verschieben der Wägeinstallation und damit eine Gefährdung von Personen, Tieren oder Gegenständen selbst bei Bruch einer Wägezelle oder von Einbauteilen auszuschließen ist.

Installations- und Reparaturarbeiten dürfen nur durch sachkundige/eingewiesene Fachkräfte erfolgen.

2 Aufbauempfehlungen

2.1 Anordnung der Wägemodule



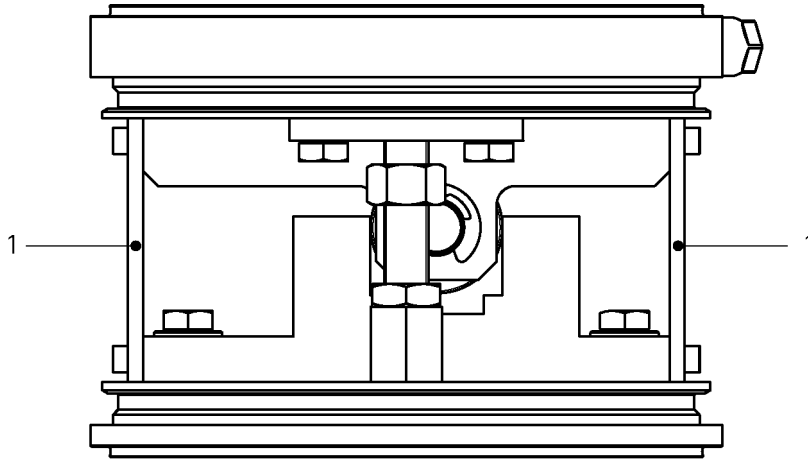
* Ggf. Anschlag lösen oder entfernen, um Verspannungen zu vermeiden.

Der Unterbau der Behälter muss gegenüber den vorgegebenen Lasten unnachgiebig, waagrecht (Wasserwaage!) und eben sein. Behälter sollten vorzugsweise auf 3 Wägemodule mit intergriertem Anschlag gesetzt werden (siehe Abbildung).

Querbelastungen bzw. Seitenkräfte sowie Torsionsmomente sind Störgrößen, die Messfehler erzeugen und bei Überschreitung der zulässigen Grenzen zu Beschädigungen führen können.

2.2 Montagehilfe

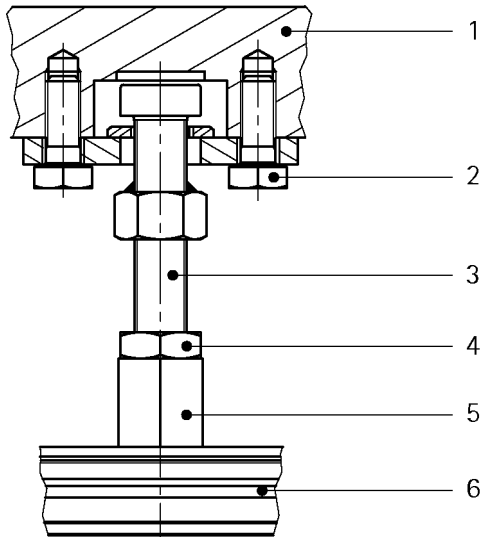
Die Montagehilfsbleche (1) dienen zum einfachen Einbau des Wägemoduls.



2.3 Interne Abhebesicherung mit integrierter Ein- und Ausbauhilfe

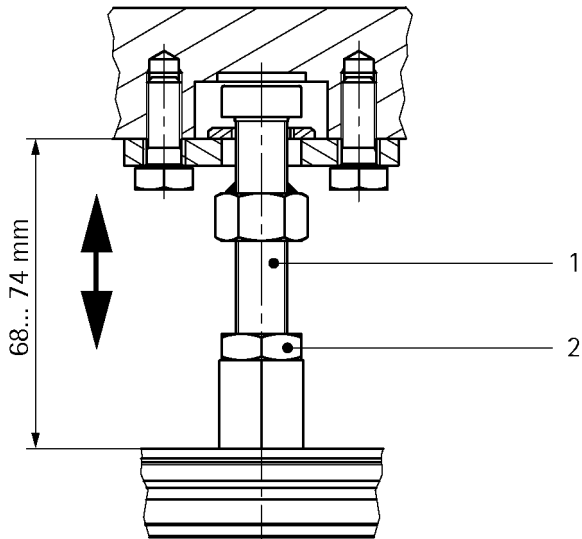
2.3.1 Allgemeines

Das Hygienische Wägemodul Contego® ist mit einer internen Abhebesicherung ausgestattet; das heißt, es sind außer den Befestigungslöchern keine zusätzlichen Bohrungen in dem Behälterfuß erforderlich. Außerdem kann der Behälter durch Drehen der Schraube der Abhebesicherung (3) (siehe Kapitel 2.3.2) angehoben werden, z. B. bei einem Austausch der Wägezelle.



Pos.	Bezeichnung
1	Oberplatte
2	Schraube (2x)
3	Abhebesicherung
4	Kontermutter
5	Gewindehülse
6	Unterplatte

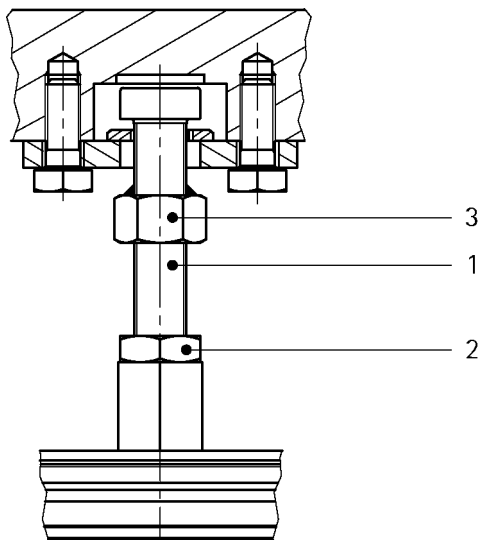
2.3.2 Ein- und Ausbauhilfe (Jack-up)



Vorgehensweise

- Kontermutter (2) lösen.
- Schraube (1) am Sechskant hochdrehen, um den Behälter anzuheben.
Achtung! Den Behälter nicht höher als 6 mm anheben!
Schraube so lange drehen, bis die Wägezelle entlastet ist und zusammen mit dem oberen Druckstück herausgenommen werden kann.
- Oberes Druckstück in die neue Wägezelle einsetzen.
- Wägezelle in den Einbausatz einsetzen und das Wägezellenkabel durch die Verschraubung stecken und fixieren, siehe auch Kapitel 8.1.2.
- Interne Abhebesicherung einstellen, siehe Kapitel 2.3.3.

2.3.3 Interne Abhebesicherung einstellen

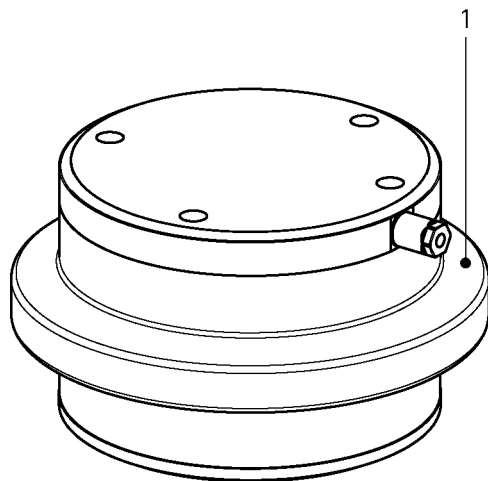


Vorgehensweise

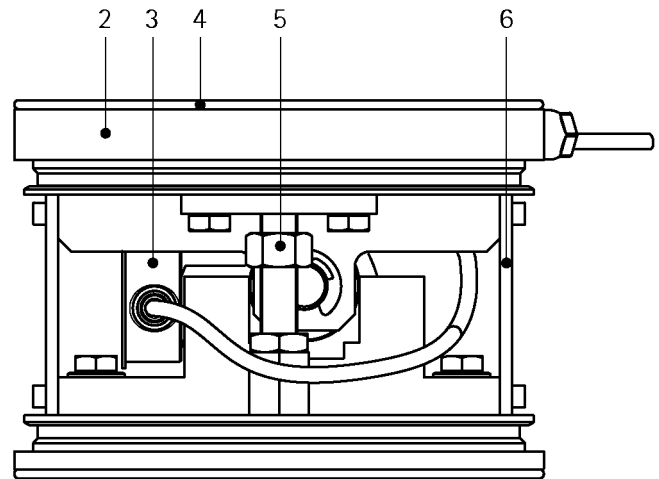
- Kontermutter lösen (2).
- Schraube (1) der Abhebesicherung am Sechskant (3) langsam bis zum Anschlag nach unten drehen.
- Schraube wieder 1...1½ Umdrehungen (ca. 2 mm) zurückdrehen, um den Abstand einzustellen.
- Kontermutter (2) wieder festziehen.

3 Spezifikation

3.1 Lieferumfang



Ansicht mit Balg



Ansicht ohne Balg

Pos.	Bezeichnung
1	Balg
2	Einbausatz PR 6041/60S bzw. PR 6041/70S
3	Wägezelle PR 6241/..
4	O-Ring (2x)
5	Abhebesicherung/Ein- und Ausbauhilfe (Jack-up)
6	Montagehilfsbleche (2x)
ohne Abbildung:	
7	Druckstücksatz PR 6043/31S
8	Hülsen (2x in einer Tüte); nur für Wägezellen PR 6241/12...52
9	Installationsanleitung 9499 053 24101
10	Kurzanleitung 9499 059 04101
11	Wägezellenzertifikat

3.2 Wägemodul

3.2.1 Typen

3.2.1.1 Wägemodul inkl. Wägezelle

Für Nennlast E_{\max}	Fehlerklasse	Typ*
100 kg	D1	A, Ex A, B, Ex B
200 kg	D1, C3	A, Ex A, B, Ex B
300 kg	D1, C3	A, Ex A, B, Ex B
500 kg	D1, C3	A, Ex A, B, Ex B
1 t	D1, C3	A, Ex A, B, Ex B
2 t	D1, C3	A, Ex A, B, Ex B

- * A = Kabelausgang seitlich
 B = Kabelausgang oben
 Ex = Einsatz im Ex-Bereich

3.2.1.2 Wägemodul ohne Wägezelle (Service)

PR 6041/60S	Einbausatz mit Kabelausgang seitlich
PR 6041/70S	Einbausatz mit Kabelausgang oben

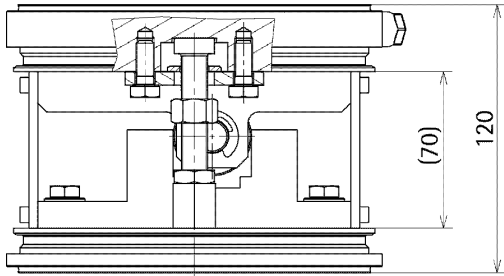
3.2.2 Technische Daten

zulässige Horizontalkraft		7 kN
zulässige Vertikallast ohne Wägezelle		1,5 t
zulässige Abhebekraft		8 kN
zulässige Kraft für Jack-up		15 kN
zulässiger Temperaturbereich		-40 °C...+95 °C
Schutzarten		
	Stäube und Wasser	IP 69K: Schutz gegen Staub nach DIN EN 60529 09/2000 Abschnitt 13.4 Schutz gegen Wasser (Hochdruckreinigung) nach DIN 40050 Teil 9
	Explosion	Geeignet für Explosionsuntergruppen IIA, IIB und III. Für IIC bitte anfragen.
Material		
	Balg	Silikon (FDA-konform)
	Einbausatz	1.4404
Gewicht kpl. Wägemodul		
	netto	ca. 11 kg
	brutto	ca. 12 kg

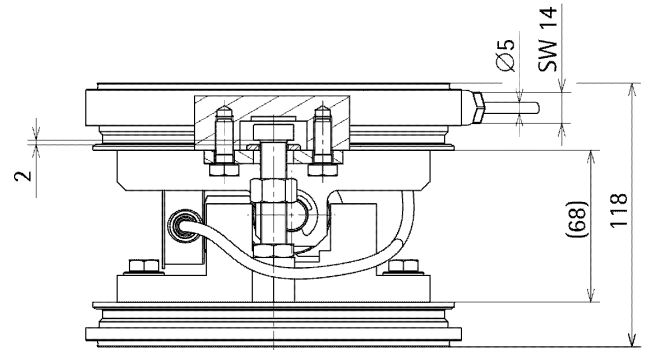
3.2.3 Abmessungen

Lieferzustand: mit Montagehilfsblechen

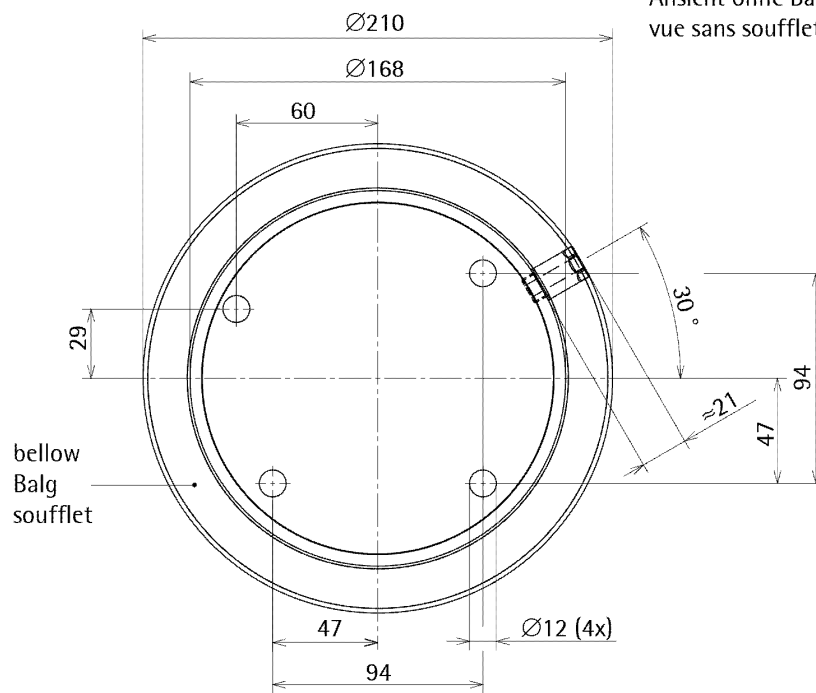
Wägeposition



view without bellow
Ansicht ohne Balg
vue sans soufflet



view without bellow
Ansicht ohne Balg
vue sans soufflet



bellow
Balg
soufflet

PR 6041/60S abgebildet

3.3 Wägezelle PR 6241/..

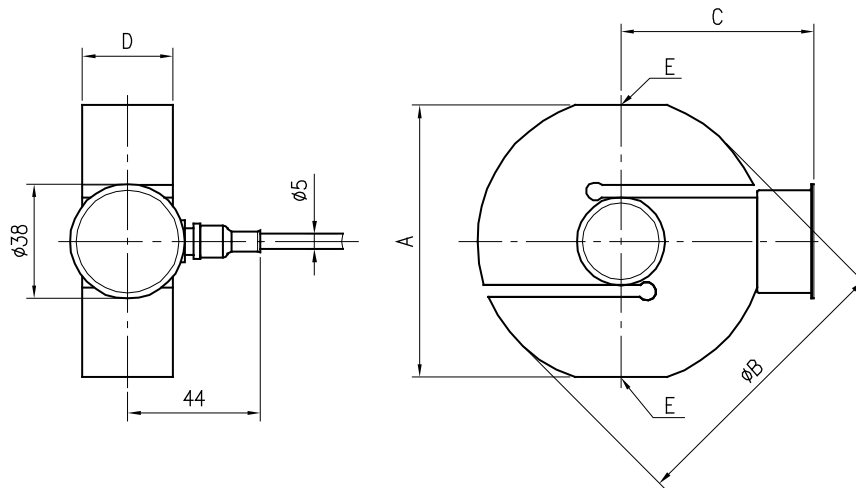
3.3.1 Allgemeines

Ausführung	Rostfreier Edelstahl 1.4542, hermetisch verschlossen durch Verschweißen; mit Inertgas gefüllt.		
Schutzart	IP 68 (1,5 m Wassertiefe, 10.000 h) nach IEC 60529 (entspricht NEMA 6) IP 69K: Schutz gegen Staub nach DIN EN 60529 09/2000 Abschnitt 13.4 Schutz gegen Wasser (Hochdruckreinigung) nach DIN 40050 Teil 9		
Zündschutzart	Eigensicherheit für PR 6241/..E		
Kabel	Durchmesser	5 mm	
	Länge	5 m	
	Querschnitt	4×0,35 mm ²	
	Biegeradius	≥25 mm bei fester Verlegung ≥75 mm bei flexibler Verlegung	
	Mantel	Material:	thermoplastisches Elastomer
	Farbe:	grau (Standardausführung) blau (Ex-Ausführung)	

3.3.2 Zertifikate

Zone	Gerätekenzeichnung	Nummer des Zertifikates	für
0 und 1	II 1G Ex ia IIC T6	PTB 02 ATEX 2059	nur PR 6241/..E
20 und 21	II 1D IP65 T85°C	TÜV 03 ATEX 2301X	alle PR 6241
2	II 3G Ex nA II T6	Herstellereklärung	alle PR 6241
22	II 3D Ex tD A22 IP65 T85°C	Herstellereklärung	alle PR 6241
	Class I, II, II Div 1, Group A, B, C, D, E, F, G T5 bei T _{max} = 55°, T4A bei T _{max} = 70°	FM: 3001200 CSA: 1058582	alle PR 6241

3.3.3 Abmessungen



alle Abmessungen in mm

Typ	A [mm]	B [mm]	C [mm]	D [mm]	E [mm]
PR 6241/12...52	60	65	50	23	M12
PR 6241/13...23	60	65	50	30	M12

3.3.4 Bestellinformation

Typ	Nennlast E_{max}	Version	Ex-Version
PR 6241/12	100 kg	/..D1	/..D1E
PR 6241/22	200 kg	/..D1, /..C3	/..D1E, /..C3E
PR 6241/32	300 kg	/..D1, /..C3	/..D1E, /..C3E
PR 6241/52	500 kg	/..D1, /..C3	/..D1E, /..C3E
PR 6241/13	1 t	/..D1, /..C3	/..D1E, /..C3E
PR 6241/23	2 t	/..D1, /..C3	/..D1E, /..C3E

3.3.5 Technische Daten

			D1	C3	
Fehlerklasse			0,04	0,015	% E_{max}
Mindestvorlast	untere Grenze des spezifischen Messbereichs	E_{min}	0	0	
Nennlast	obere Grenze des spezifischen Messbereichs	E_{max}	siehe Kapitel 3.3.4		% E_{max}
Gebrauchslast	obere Grenze für Messungen	E_u	150	150	% E_{max}
Bruchlast	Gefahr mechanischer Zerstörung	E_d	>300	>300	% E_{max}
Mindestteilungswert	kleinster Teilungswert der Wägezelle, ($v_{min} = E_{max}/Y$)	Y	5.000	14.000	
Mindestvorlast-signalrückkehr	Rückkehr des Mindestvorlastsignals ($DR = 1/2 * E_{max}/Z$)	Z	1.000	3.000	
Nennkennwert	relatives Ausgangssignal bei Nennlast	C_n	2	2	mV/V
Relative Kennwertabweichung	zulässige Abweichung vom Nennkennwert	d_c	< 0,250	< 0,070	% C_n
Nullsignal	Ausgangssignal der Wägezelle im unbelasteten Zustand	S_{min}	< 1,000	< 1,000	% C_n
Reproduzierbarkeit	max. Messsignaländerung bei wiederholten Belastungen	ϵ_R	< 0,010	< 0,005	% C_n
Belastungskriechen	max. Ausgangssignaländerung bei E_{max} während 30min.	d_{σ}	< 0,030	< 0,015	% C_n
Linearitätsabweichung	max. Abweichung von der besten Geraden durch Null	d_{lin}	< 0,030	< 0,010	% C_n
Relative Umkehrspanne	max. Differenz zwischen Auf- und Abwärtskennlinie	d_{ny}	< 0,040	< 0,015	% C_n
TK des Mindestvorlastsignals	max. auf C_n bezogene Änderung von S_{min} pro 10K im B_T	TK_{Smin}	< 0,028	< 0,010	% $C_n/10K$
TK des Kennwerts	max. auf C_n bezogene Änderung von C pro 10K im B_T	TK_c	< 0,030	< 0,010	% $C_n/10K$
Eingangswiderstand	zwischen den Speiseanschlüssen	R_{LC}	650 ± 6	650 ± 6	Ω
Ausgangswiderstand	zwischen den Messanschlüssen	R_o	610 ± 1	610 ± 0,5	Ω
Isolationswiderstand	zwischen Innenschaltung und Gehäuse, 100V _{DC}	R_{IS}	> 5.000	> 5.000	M Ω
Nennversorgungsspannungsbereich	unter Einhaltung der technischen Daten	B_u	4... 24	4... 24	V
Max. Speisespannung	Dauerbetrieb ohne Schaden Ex-Versionen	U_{max}	28 25	28 25	V
Nennumgebungstemperaturbereich	unter Einhaltung der technischen Daten	B_T	-10... +55	-10... +55	° C
Gebrauchstemperaturbereich	Dauerbetrieb ohne Schaden	B_{Tu}	-40... +95	-40... +95	° C
Lagerungstemperaturbereich	ohne elektrische und mechanische Beanspruchung	B_{Tl}	-40... +95	-40... +95	° C
Vibrationsbeständigkeit	Beständigkeit gegen Schwingungen (IEC 68-2-6 Fc)	-	20g, 100h, 10... 150Hz	20g, 100h, 10... 150Hz	
Umgebungsdruckeinfluss	Luftdruckeinfluss auf das Mindestvorlastsignal S_{min}	PK_{Smin}	≤0,005	≤0,0025	% C_n/kPa
Nennmessweg	max. elastische Verformung bei Nennlast	s_{nom}	< 0,5	< 0,3	mm

Definitionen nach VDI/VDE 2637

Die angegebenen technischen Daten dienen allein der Produktbeschreibung und sind nicht als zugesicherte Eigenschaft im Rechtssinne aufzufassen.

4 Installation

4.1 Vor der Montage

4.1.1 Fundament vorbereiten

Das Fundament muss für das Wägemodul folgendermaßen ausgeführt sein:

- waagerechte (Wasserwaage!) Auflage-/Dichtfläche
- ebene Auflage-/Dichtfläche
- ausreichende Belastbarkeit für die vorgesehenen Lasten



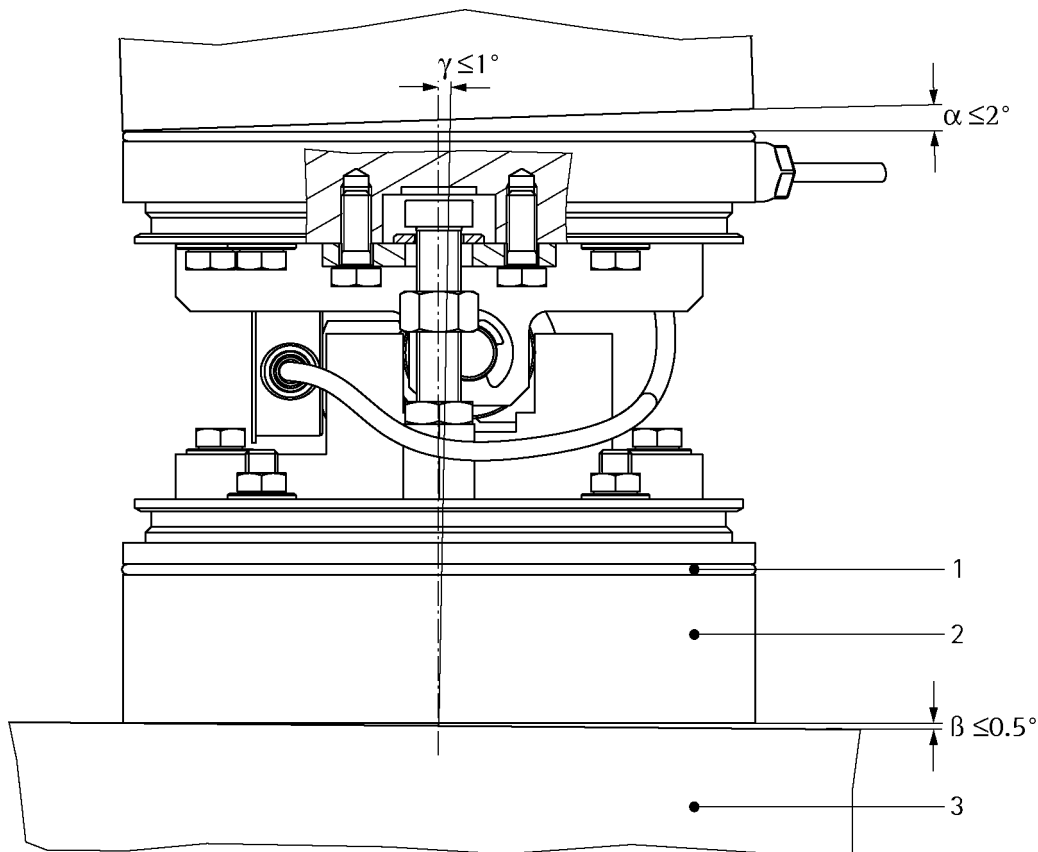
Achtung!

Wir empfehlen den Einsatz der Adapterplatte PR 6041/80S, um die Dichtigkeit zu gewährleisten.

Die Fuge zwischen Fundament (3) und Adapterplatte (2) muss unbedingt versiegelt werden.

Wird keine Adapterplatte verwendet, muss die Dichtheit zwischen Wägemodulunterplatte und Fundament (3) unbedingt mittels O-Ring (1) hergestellt werden.

Die Belastung muss möglichst gleichmäßig verteilt werden, um die einzelnen Wägezellen nicht zu überlasten. Die Fundamente der Wägemodule müssen sich auf gleicher Höhe befinden, und die Auflageflächen des Wägeobjekts (z. B. Behälter) müssen parallel angeordnet sein. Die maximal zulässige Schiefstellung ist unbedingt zu beachten, siehe Abbildung!



4.1.2 Behälterfuß vorbereiten

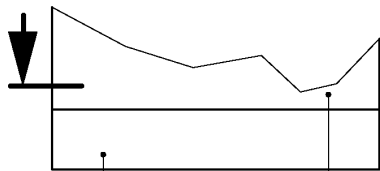


Achtung!

Das Bohrbild der Wägemoduloberplatte (siehe Kapitel 3.2.3) für jeden Behälterfuß entsprechend der Wägemodulanordnung (siehe Kapitel 2.1) erstellen.

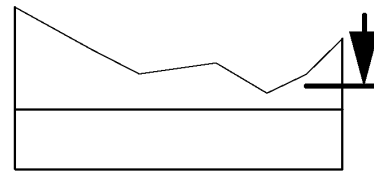
Hinweis: Um eine leichte Reinigung des Wägemoduls zu realisieren, sollten die Durchmesser von Behälterfuß, Behälterbein und Wägemoduloberplatte (siehe Kapitel 3.2.3) gleich groß sein.

Anordnungsbeispiel für 3 Wägemodule



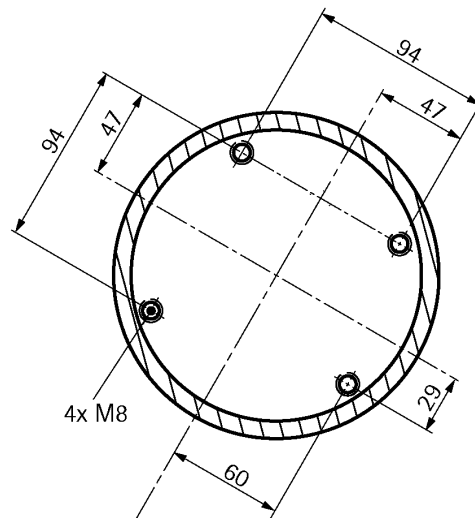
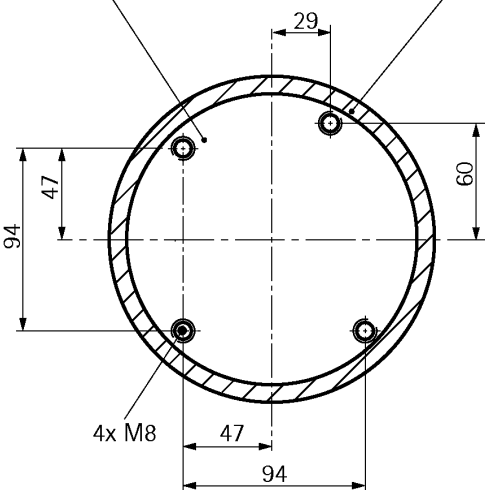
vessel foot
Behälterfuß
pied de la citerne

vessel leg
Behälterbein
jambe de la citerne

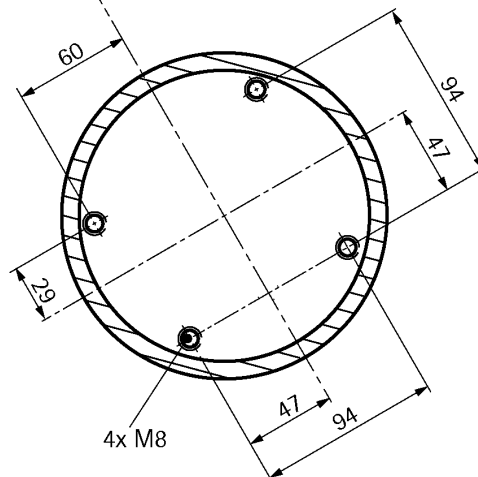


vessel foot
Behälterfuß
pied de la citerne

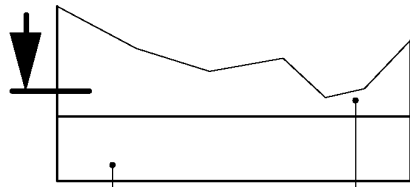
vessel leg
Behälterbein
jambe de la citerne



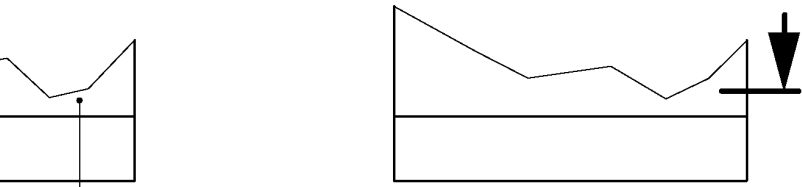
120°



Anordnungsbeispiel für 4 Wägemodule



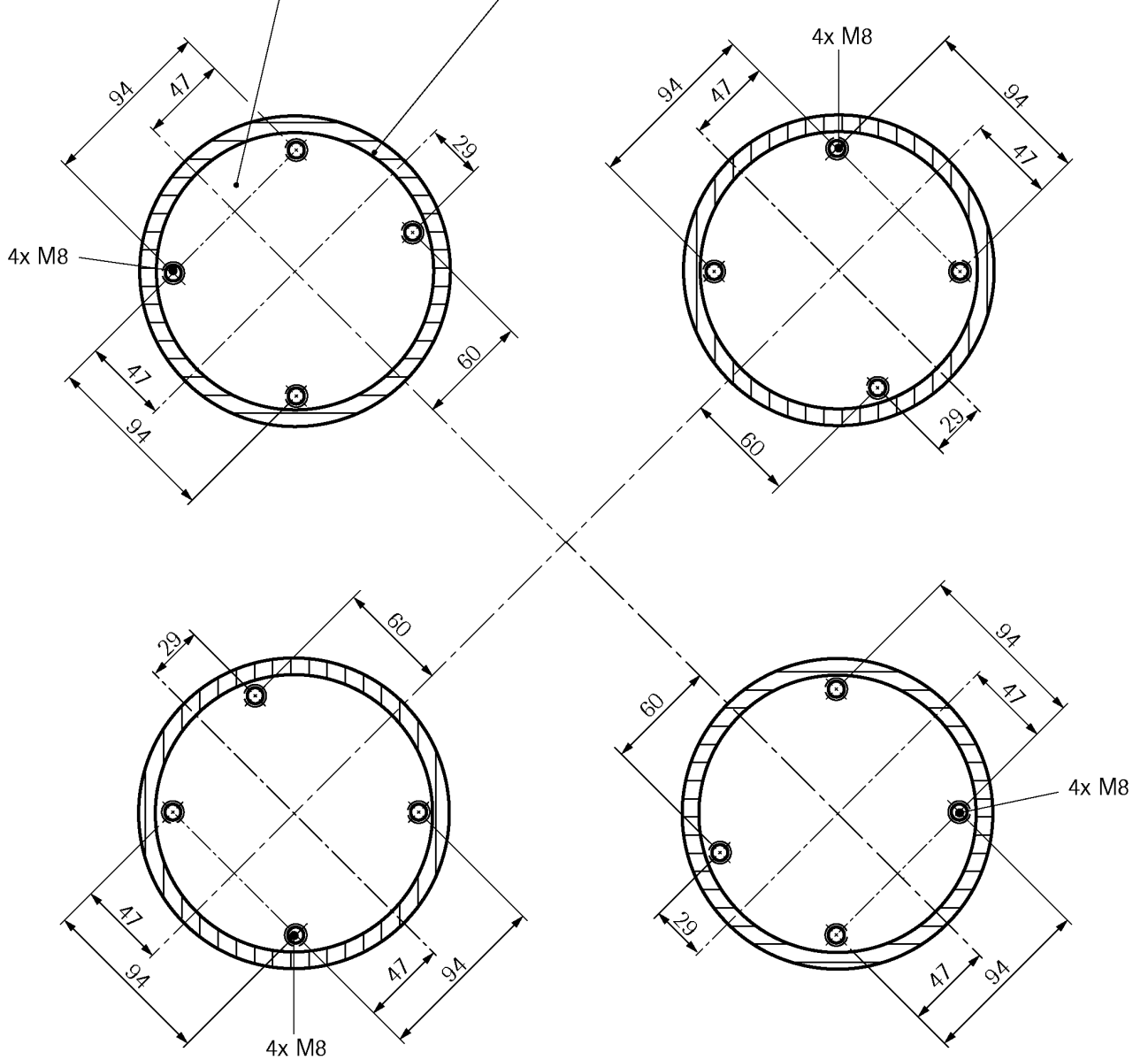
vessel foot
Behälterfuß
pied de la citerne



vessel leg
Behälterbein
jambe de la citerne

vessel foot
Behälterfuß
pied de la citerne

vessel leg
Behälterbein
jambe de la citerne



4.2 Anzugsmomente

Die entsprechenden Anzugsmomente können der folgenden Tabelle entnommen werden:

Einbauteile	Gewinde	Scheibe [mm]	Anzugsmoment
Oberplatte	M8-A2-70	*	16,5 Nm
Unterplatte	M8-A2-70	*	16,5 Nm
Abhebesicherung	M8-A2-70		16,5 Nm
Gewindehülse	M18×2		68,0 Nm
Anschlag	M8-A2-70		16,5 Nm

* Empfehlung für die Scheiben der M8-Befestigungsschrauben:
DIN7349 (d = 21, h = 4) oder DIN 9021 bzw. ISO 7093-2 (d = 24, h = 2)

4.3 Montage



Warnung!

Der Behälter kann bei der Montage umkippen.

- **Den Behälter unbedingt gegen Umkippen sichern.**
- **Entsprechendes Hebezeug verwenden.**

Hinweis:

Das Wägemodul wird vormontiert geliefert.

Die Abhebesicherung (3) ist so eingestellt, dass die Wägezelle entlastet ist. So wird ein Überlasten der Wägezelle während der Installation verhindert.

Bei der Verwendung von Adapterplatten wird für die Montage ein Steckschlüssel mit Einsatz 13 mm DIN 3124 (lange Ausführung) benötigt.

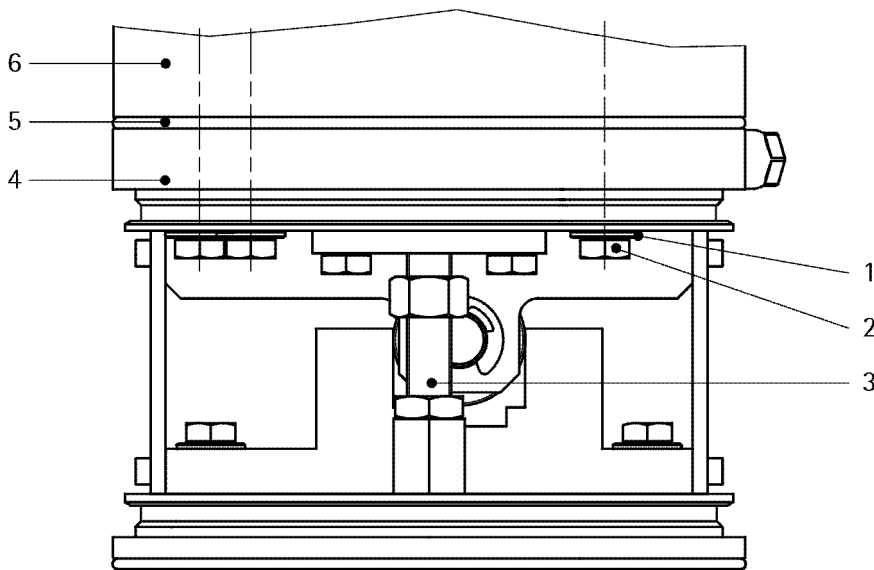


Achtung!

Der Balg und die O-Ringe sind empfindliche Einbauteile.

Keine scharfkantigen Werkzeuge benutzen!

Hinweis: Die folgenden Arbeitsschritte müssen an allen Auflagepunkten (z. B. Behälterfuß) des Wägeobjektes (z. B. Behälter) durchgeführt werden!



Vorgehensweise



Achtung!

Folgende Kontaktflächen müssen sauber und eben sein, um eine zuverlässige Abdichtung zu gewährleisten:

- zwischen Oberplatte und Behälterfuß
- zwischen Unterplatte und ggf. Adapterplatte und Fundament

- Prüfen, ob alle für die Montage notwendigen Gewindebohrungen (siehe Kapitel 4.1.2) im Behälterfuß (6) vorhanden sind.
- O-Ring (5) in die Nut der Oberplatte (4) einlegen und Wägemodul unter den Behälterfuß (6) stellen.
- Balg (ohne Abbildung) vorsichtig über den Einbausatz und Behälterfuß (6) ziehen, damit der Einbausatz für die Montage zugänglich bleibt.
- Einbausatz an den Behälterfuß (6) montieren. Unbedingt die Festigkeitsklassen und Anzugsmomente der Schrauben (2) und Scheiben (1) beachten, siehe Kapitel 4.1.2.

- Behälter auf dem Fundament (8) positionieren.
- Bohrungen (9) und den Sitz (10) (Umfang) der Unterplatte auf dem Fundament (8) markieren, siehe Abbildung.

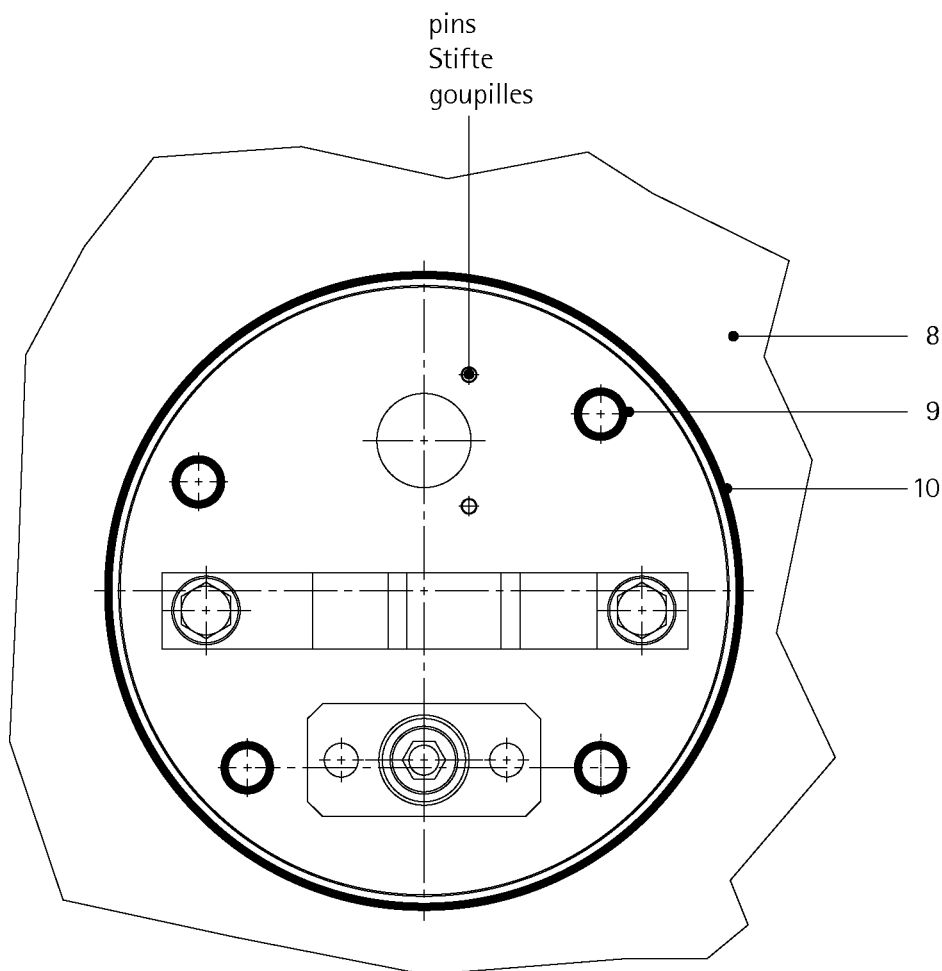
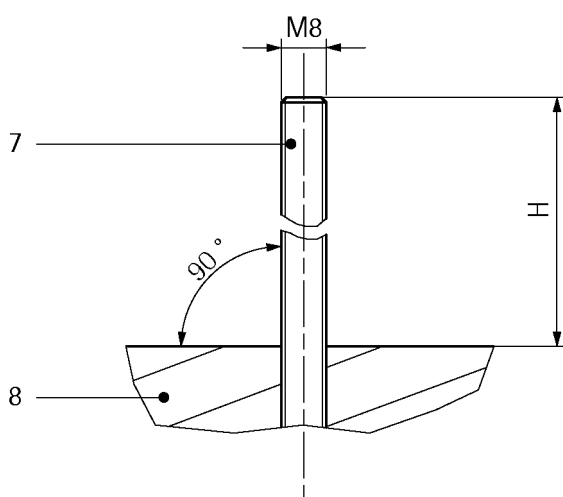


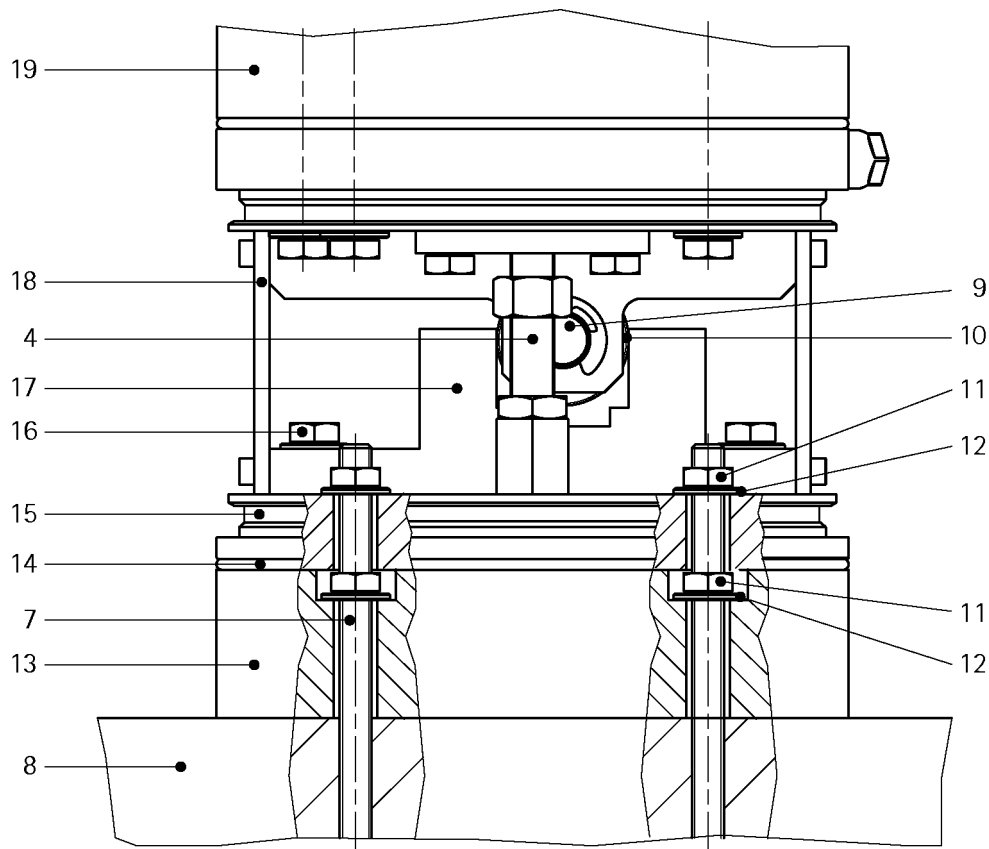
Abbildung ohne Oberplatte und Wägezelle

- Behälter anheben.
- Bohrungen für die Gewindestangen/Schwerlastanker (7) setzen.



	H
ohne Adapterplatte	35 mm
mit Adapterplatte	75 mm

- Gewindestangen/Schwerlastanker (7) unbedingt senkrecht mit der entsprechenden Höhe ‚H‘ einsetzen.



Bei Einsatz von Adapterplatten PR 6041/80S (13):

- Adapterplatte (13) auf das Fundament (8) innerhalb der Umfangsmarkierung (siehe Seite 18) legen.
- Adapterplatte (13) festschrauben. Unbedingt die Festigkeitsklassen und Anzugsmomente der Muttern (11) und Scheiben (12) beachten, siehe Kapitel 4.1.2.
- O-Ring (14) in die Nut der Unterplatte (15) einlegen.
- Behälter (19) auf das Fundament (8)/die Adapterplatten (13) absetzen und die Unterplatte (15) festschrauben. Unbedingt die Festigkeitsklassen und Anzugsmomente der Muttern (11) und Scheiben (12) beachten, siehe Kapitel 4.1.2.
- Gilt nur für Wägezellen PR 6241/12...52:
Die beiden Hülsen aus der Tüte nehmen und auf die Stifte (siehe Seite 18) stecken.
- Montagehilfsbleche (18) entfernen (ggf. mit Hilfe der Ein- und Ausbauhilfe entlasten).
- Kontermutter lösen (2), siehe Kapitel 2.3.3.
- Schraube (1) der Abhebesicherung am Sechskant (3) langsam nach unten drehen, um den Behälter auf die Wägezelle abzusetzen und Interne Abhebesicherung (4) einstellen, siehe Kapitel 2.3.3.
- Prüfen, ob Achse (9) oder/und Rolle (10) freigängig ist/sind.
- Lässt/lassen sich Achse (9) oder/und Rolle (10) nicht bewegen, ist das Wägemodul verspannt und muss justiert werden:
 - Schrauben (16) lösen.
 - Anschlag (17) verschieben, bis Achse (9) oder/und Rolle (10) wieder freigängig ist/sind.
 - Schrauben (16) wieder festziehen. Unbedingt die Anzugsmomente beachten, siehe Kapitel 4.1.2.
- Balg vom Behälterfuß herunterschieben.
- Balg aufziehen und unbedingt umlaufend in die Nut der Ober- und Unterplatte drücken, so dass die Übergänge absatzfrei sind.

5 Anschluss

5.1 Allgemeines



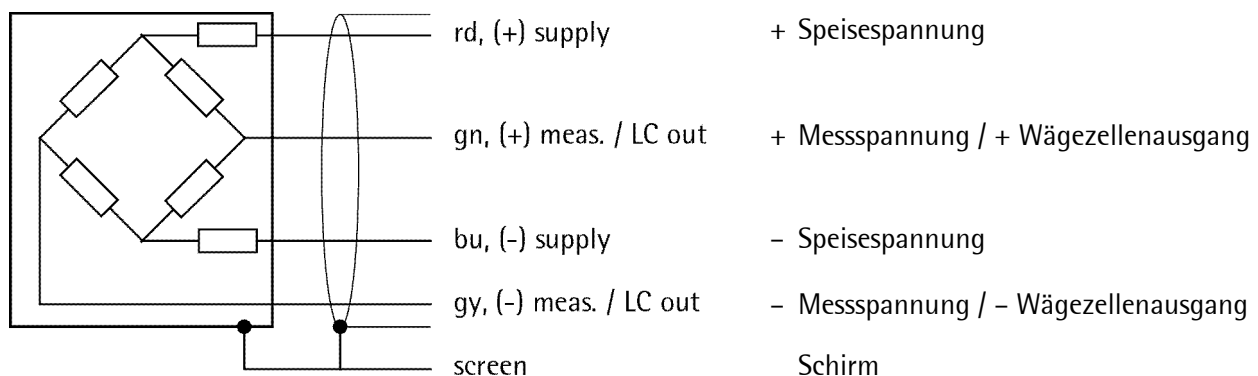
Achtung!

Das Kabelende der Wägezelle ist durch eine Schutzhülle vor Verschmutzung und Feuchtigkeit geschützt.

Die Schutzhülle erst unmittelbar vor dem Anschließen entfernen!

- Kabelende vor Verschmutzung schützen. Feuchtigkeit darf nicht in das offene Kabelende dringen.
- Das Anschlusskabel der Wägezelle nicht kürzen. Das vorbereitete Ende anschließen und die überschüssige Länge aufrollen.
- Die Kabelabschirmung darf nur an die Anschlussklemme des Auswertegerätes angeschlossen werden.
- Die Wägezellenverkabelung ist von Starkstromkabeln fernzuhalten.
- Der Abstand zwischen Mess- und Starkstromkabeln bzw. Starkstrom führenden Teilen muss mindestens 1 m betragen (Richtwert).
- Es wird empfohlen, die Wägezellenkabel in separaten Kabelwannen bzw. in Stahlpanzerrohren zu verlegen.
- Starkstrom führende Leitungen sind rechtwinklig zu kreuzen.

5.2 Wägezelle



Farbcode

rd = rot

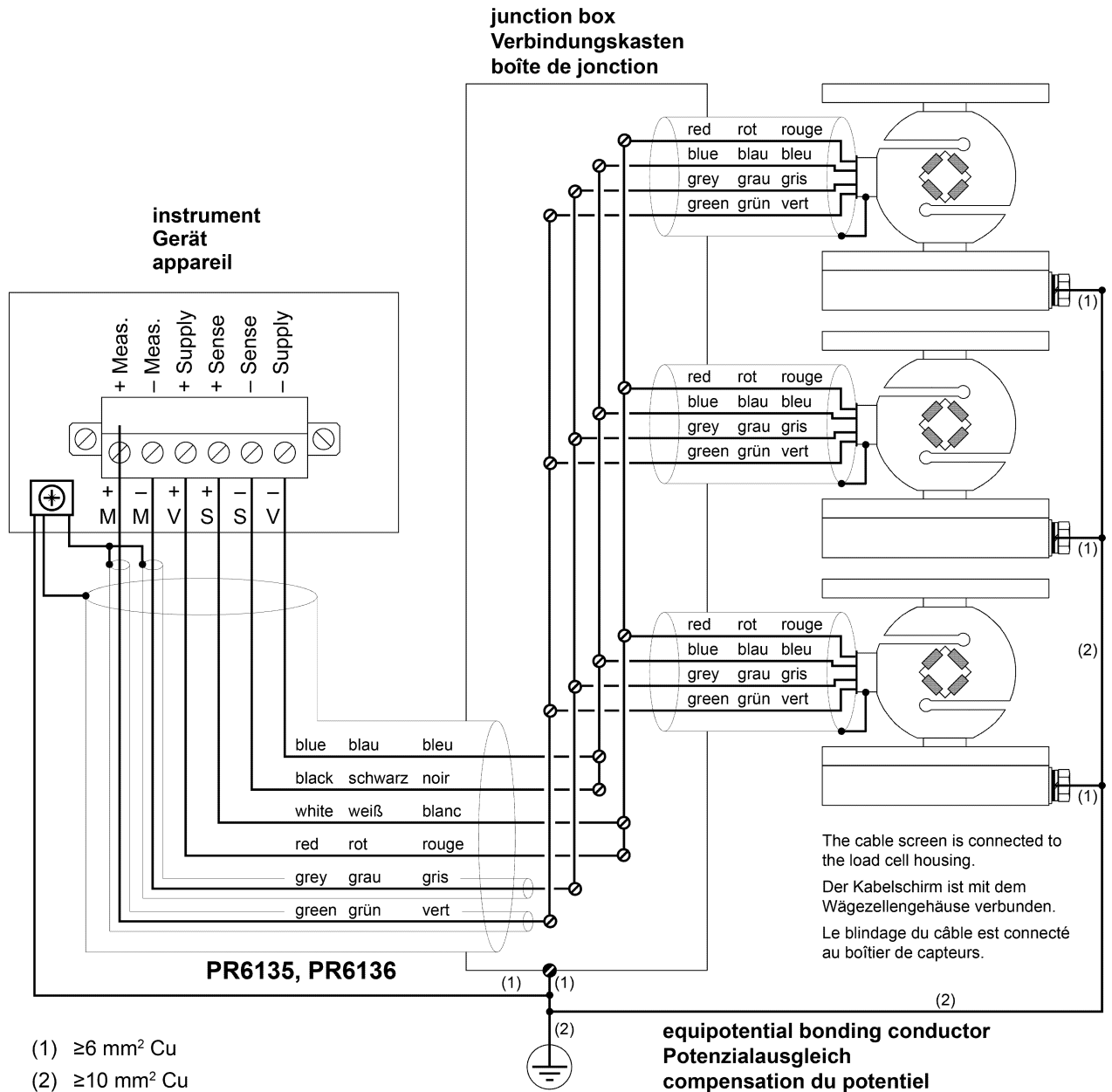
bu = blau

gn = grün

gy = grau

5.3 Kabelverbindungen

Hinweis: Geräte und Wägemodul sind nur schematisch dargestellt.



5.4 Verbindungskabel

Für die Verbindung vom Verbindungskasten zur Wägeelektronik wird die Verwendung folgender Verbindungskabel empfohlen:

- PR 6135
- PR 6136 (für Ex-Anwendung)
- PR 6135A (armiert)
- PR 6136A (armiert, für Ex-Anwendung)

6 Vorbereitung zur Justierung

6.1 Allgemeines

Hinweis: Justierung des Wägesystems siehe Handbuch des Wäegerätes.



Achtung!

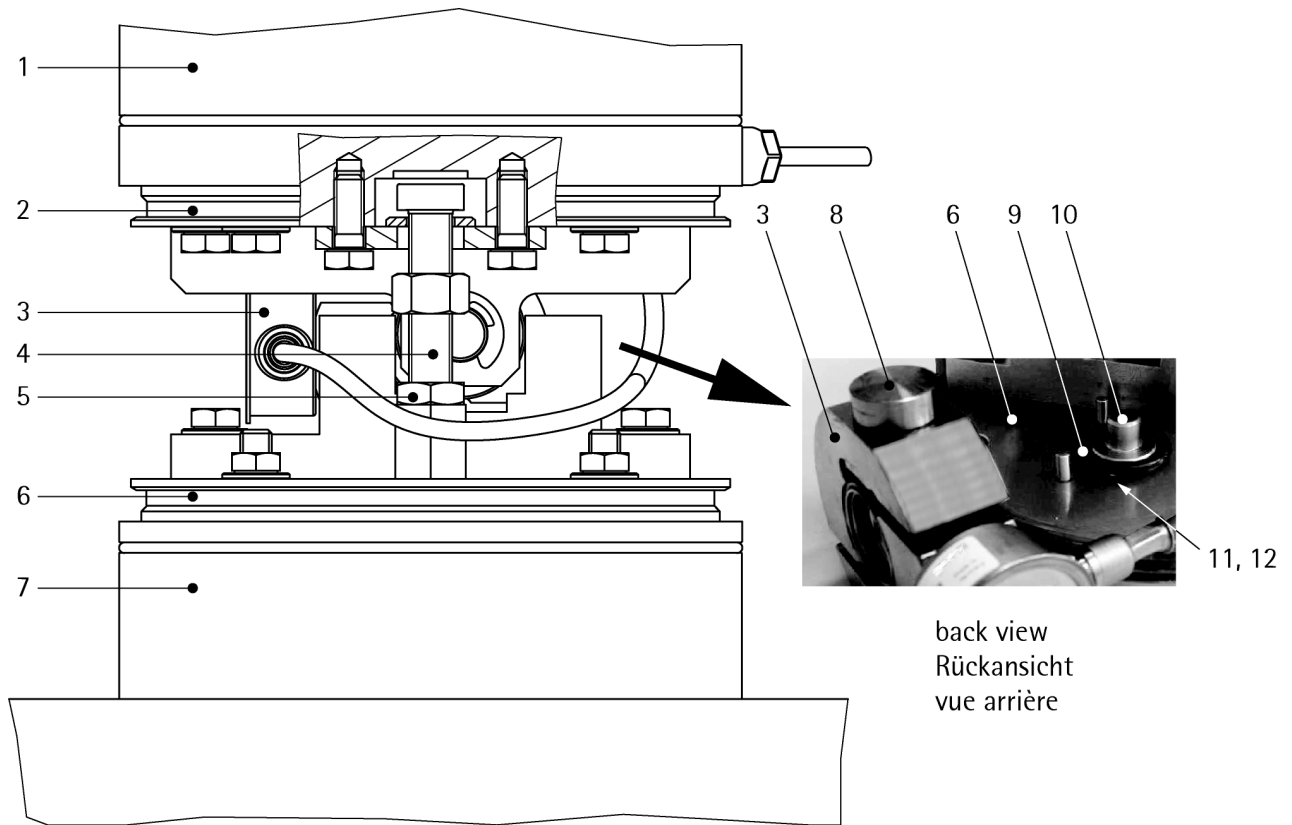
Die Wägezelle benötigt eine Aufwärmzeit von mindestens 30 Minuten vor Beginn der Justierung der Wägeeinrichtung.

6.2 Mechanischer Höhenausgleich

Damit die Wägezellen möglichst gleichmäßig belastet werden, ist bei Systemen mit mehr als 3 Wägezellen vor der Justierung ein Höhenausgleich vorzunehmen.

- Die Wägemodule mit der Totlast (z. B.: leerer Behälter) belasten.
- Die Wägemodule parallel mit einer stabilisierten Spannung, z. B. 12 V DC, speisen.
- Die Ausgangsspannungen der Wägemodule einzeln mit einem Voltmeter messen und miteinander vergleichen.

Die Wägezelle des Wägemoduls mit der niedrigsten Ausgangsspannung muss durch das Unterlegen von Ausgleichsblechen stärker belastet werden.



Vorgehensweise

- Balg (ohne Abbildung) vorsichtig nach oben über den Einbausatz und Behälterfuß (1) oder nach unten über die Adapterplatte (7) ziehen.
- Kontermutter lösen (5).
- Schraube (4) am Sechskant so lange drehen, bis die Wägezelle (3) entlastet ist und zusammen mit den beiden Druckstücken (O-Ring (9) des unteren Druckstückes (10) darf nicht verlorengelassen werden) beiseitegelegt werden kann.
- Pfanne (11) aus der Ausfräsung (12) der Unterplatte (6) herausnehmen (evtl. mit Zuhilfenahme eines kurzen Klebestreifens oder Schraubendrehers).
- Dünne, entgratete Ausgleichsbleche (max. 2 mm Gesamtdicke) in die Ausfräsung (12) legen.
- Pfanne (11) und unteres Druckstück (10) inkl. O-Ring (9) in die Ausfräsung (12) der Unterplatte (6) einsetzen.
- Oberes Druckstück (8) in die Wägezelle (3) einsetzen.
- Wägezelle (3) auf das untere Druckstück (10) setzen.
- Schraube (4) der Abhebesicherung am Sechskant langsam nach unten drehen, um den Behälter auf die Wägezelle abzusetzen. Dabei darauf achten, dass das obere Druckstück (8) in die Ausfräsung der Oberplatte (2) gleitet.
- Die Ausgangsspannungen der Wägezellen erneut messen und ggf. Höhe dieser bzw. einer weiteren Wägezelle korrigieren.
- Interne Abhebesicherung einstellen, siehe Kapitel 2.3.3.
- Balg aufziehen und unbedingt umlaufend in die Nut der Ober- und Unterplatte drücken, so dass die Übergänge absatzfrei sind.

7 Fehlersuche

Wenn nach Inbetriebnahme und Justierung falsche bzw. nicht reproduzierbare Werte gemessen werden, ermöglichen die folgenden Hinweise eine erste Diagnose und Abhilfe.

7.1 Sichtprüfung

Wägeobjekt	Sind alle Rohre, Schläuche, Kabel so locker wie möglich angekoppelt? Sind die Anschlüsse biegeweich und horizontal angekoppelt? Stehen Elemente, die mit der Waage starr verbunden sind, in direktem Kontakt mit der Umgebung? Hat sich zwischen dem Wägeobjekt und seiner Umgebung Reibung aufgebaut (z. B. verstaubte Durchbrüche, ...)?
Verbindungskasten	Ist Feuchtigkeit eingedrungen? Haben alle Löt- bzw. Schraubverbindungen sicheren Kontakt?
Verbindungskabel	Ist der Mantel beschädigt? Ist Feuchtigkeit eingedrungen?
Einbausatz	Ist die Abhebesicherung in Kontakt mit der Waage? Ist der Anschlag verklemmt?
Wägezelle	Steht die Wägezelle senkrecht? Ist der Messkammerdeckel beschädigt? Ist der Mantel des Anschlusskabels beschädigt? Ist Feuchtigkeit in das Anschlusskabel eingedrungen?

7.2 Messtechnische Prüfungen

7.2.1 Nullsignal der Wägezelle überprüfen

- Wägezelle entlasten.
- Messausgänge der Wägezellen voneinander trennen.
- Prüfen, ob die Ausgangsspannung ohne Last nicht überschritten wird.

Typ	Ausgangsspannung
D1, C3	0 mV ±0,02 mV/V

7.2.2 DMS Brückenschaltung der Wägezelle überprüfen

- Prüfspannung darf nicht überschritten werden.
- Prüfen, ob die Widerstandswerte innerhalb der zulässigen Grenzen liegen.

maximale Prüfspannung	Standardausführung	28 V DC
	Eigensichere Ausführung (PR .../...E)	25 V DC

Typ	Eingangswiderstand (rote Ader, blaue Ader)	Ausgangswiderstand (grüne Ader, graue Ader)
D1	650 Ω ±6 Ω	610 Ω ±1 Ω
C3	650 Ω ±6 Ω	610 Ω ±0,5 Ω

7.2.3 Isolationswiderstand der Wägezelle überprüfen

- Prüfspannung nie zwischen zwei Adern des Wägezellenkabels legen (Zerstörung der Wägezelle droht).
- Adern der Wägezellen isolieren.

maximale Prüfspannung	Standardausführung	100 V DC
	Eigensichere Ausführung (PR .../...E)	500 V AC
Isolationswiderstand	Ader – Gehäuse	>5000 MΩ
	Ader – Schirm	>5000 MΩ
	Schirm – Gehäuse	>5000 MΩ

7.2.4 Isolationswiderstand des Verbindungskabels überprüfen

- Verbindungskabel von Messinstrument und Wägezellen lösen
- Adern des Verbindungskabels isolieren

Isolationswiderstand	Ader – Ader	≥600 MΩ × km
	Ader – Schirm	≥600 MΩ × km

8 Instandhaltung/Reparatur/Wartung

8.1 Instandhaltung

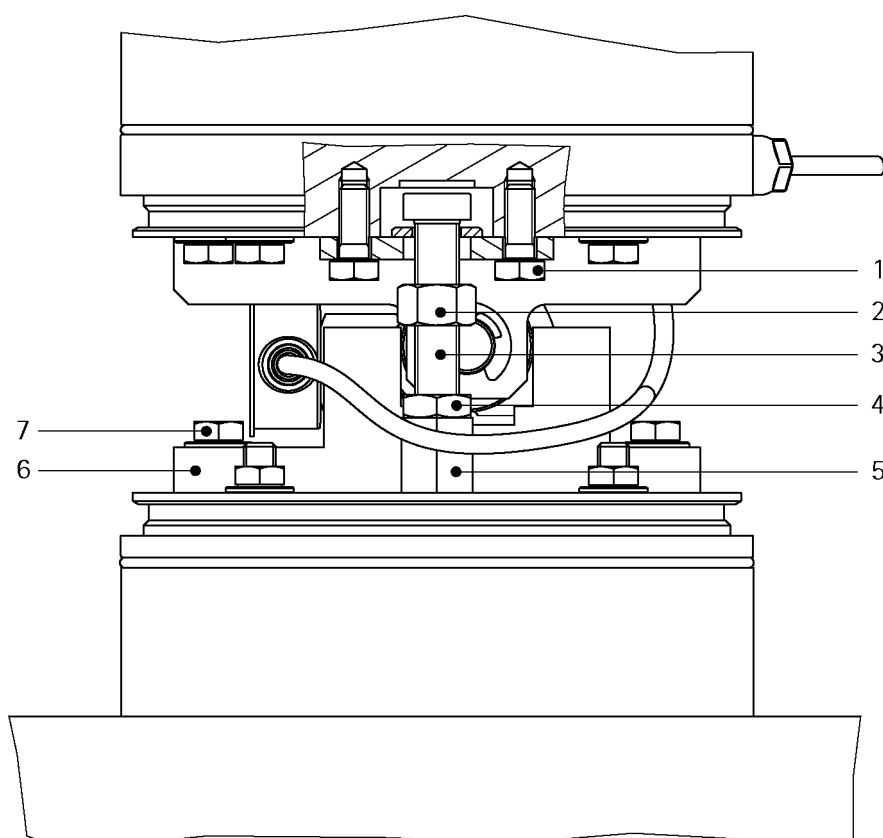
8.1.1 Balg austauschen



Warnung!

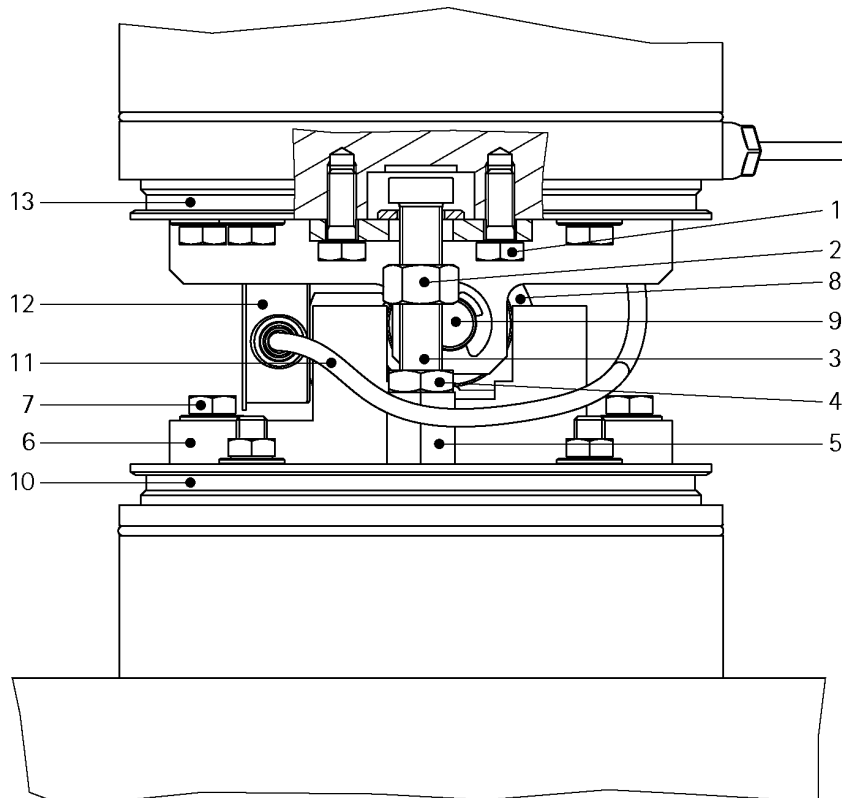
Der Behälter kann bei der Montage umkippen.

Den Behälter unbedingt gegen Umkippen sichern.



Vorgehensweise

- Defekten Balg (ohne Abbildung) entfernen und den örtlichen Vorschriften entsprechend entsorgen.
- Schrauben (7) herausdrehen.
- Anschlag (6) auf die Unterplatte kippen und zusammen mit der Folie seitlich herausziehen.
- Schrauben (1) herausdrehen.
- Kontermutter (4) lösen und die Schraube der Abhebesicherung (3) am Sechskant (2) in die Gewindhülse (5) einschrauben.
- Gewindhülse (ist mit Loctite gesichert) mit der kompletten Abhebesicherung (3) herausdrehen und entnehmen.

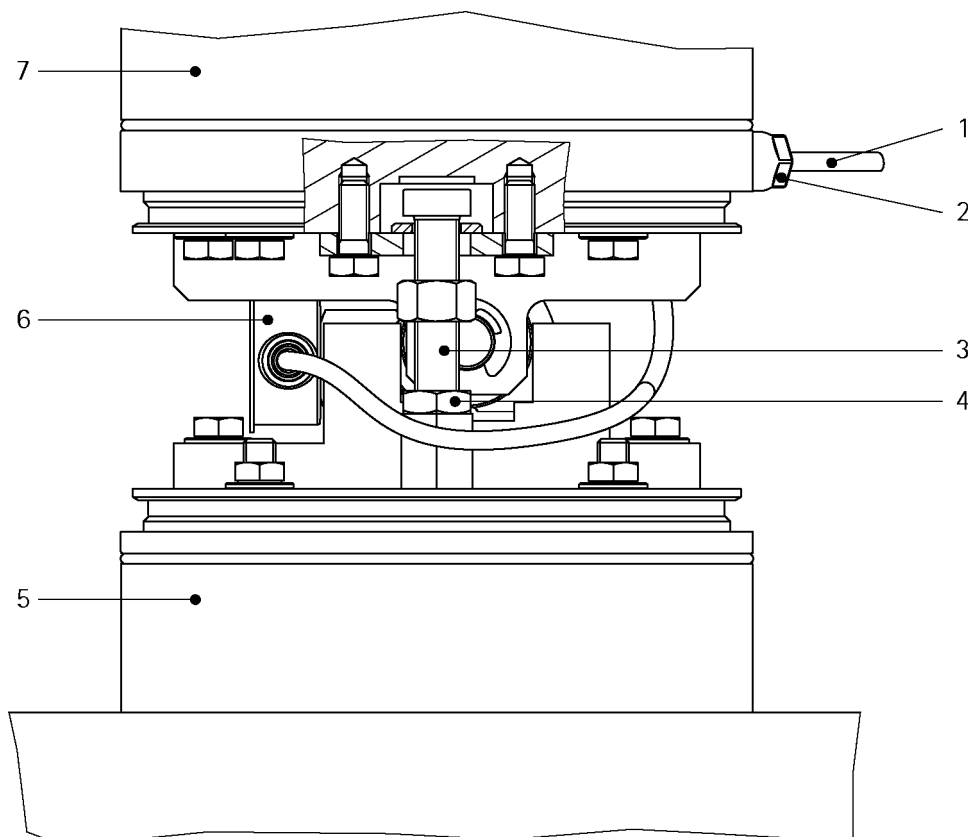
**Achtung!**

Das Wägezellenkabel muss oberhalb des Balgs und vor der Abhebesicherung liegen.

Die Gewindehülse unbedingt mit Loctite sichern.

- Neuen Balg (ohne Abbildung) vorsichtig soweit in das Wägemodul einlegen, dass die Gewindehülse (5) mit Abhebesicherung (3) wieder montiert werden kann. Unbedingt die Anzugsmomente beachten, siehe Kapitel 4.1.2.
- Schrauben (1) wieder festziehen.
- Schraube der Abhebesicherung (3) am Sechskant (2) hochdrehen, um den Behälter anzuheben. Schraube so lange drehen, bis die Wägezelle (12) entlastet ist und zusammen mit dem oberen Druckstück herausgenommen werden kann.
- Balg (ohne Abbildung) ganz nach hinten durchziehen und den oberen Wulst nach innen umkrepeln.
- Wägezelle (12) einsetzen.
- Schraube (1) der Abhebesicherung am Sechskant (3) langsam nach unten drehen, um den Behälter auf die Wägezelle abzusetzen. Dabei darauf achten, dass das obere Druckstück in die Ausfräsung der Oberplatte (13) gleitet.
- Balg umgekrempelt nach oben schieben, um die Abhebesicherung (3) einzustellen, siehe Kapitel 2.3.3.
- Anschlag (6) zusammen mit der Folie wieder auf der Unterplatte (10) verschrauben. Unbedingt die Anzugsmomente beachten, siehe Kapitel 4.1.2.
- Lässt/lassen sich Achse (9) oder/und Rolle (8) nicht bewegen, ist das Wägemodul verspannt und muss justiert werden:
 - Schrauben (7) lösen.
 - Anschlag (6) verschieben, bis Achse (9) oder/und Rolle (8) wieder freigängig ist/sind.
 - Schrauben (7) wieder festziehen. Unbedingt die Anzugsmomente beachten, siehe Kapitel 4.1.2.
- Balg aufkrepeln und unbedingt umlaufend in die Nut der Ober- und Unterplatte drücken, so dass die Übergänge absatzfrei sind.

8.1.2 Wägezelle austauschen



Achtung!

Wägezellen nicht am Kabel anheben oder transportieren.

Hinweis: Kabelverschraubung des Wägezellenkabels

Beim Drehen ändert sich nicht die Position der Verschraubung!
Es wird nur die innenliegende Klemmung gelöst.

Vorgehensweise

- Balg (ohne Abbildung) vorsichtig nach oben über den Einbausatz und Behälterfuß (7) oder nach unten über die Adapterplatte (5) ziehen, damit der Einbausatz für die Montage zugänglich bleibt.
- Kontermutter lösen (4).
- Schraube (3) am Sechskant hochdrehen, um den Behälter anzuheben. Schraube (3) so lange drehen, bis die Wägezelle (6) entlastet ist und herausgenommen werden kann.
- Die Verschraubung (2) nur soweit lösen (siehe auch den Hinweis), dass das Wägezellenkabel (1) herausgezogen werden kann.
- Wägezelle (6) aus dem Einbausatz herausnehmen und oberes Druckstück aus der Wägezelle nehmen. Pfanne mit unterem Druckstück (inkl. O-Ring) verbleiben in der Unterplatte.

- Oberes Druckstück in die neue Wägezelle einsetzen.
- Wägezelle (6) einsetzen.
- Schraube (1) der Abhebesicherung am Sechskant (3) langsam nach unten drehen, um den Behälter auf die Wägezelle abzusetzen. Dabei darauf achten, dass das obere Druckstück in die Ausfräsung der Oberplatte (13) gleitet.
- Wägezellenkabel (1) durch die dafür vorgesehene Bohrung der Oberplatte und die Kabelverschraubung (2) ziehen und in einer entspannten Position (Schlaufe) einlegen. Das Kabel darf später nicht innen am Balg anliegen!
- Kabelverschraubung (2) anziehen.
- Interne Abhebesicherung einstellen, siehe Kapitel 2.3.3.
- Balg aufziehen und unbedingt umlaufend in die Nut der Ober- und Unterplatte drücken, so dass die Übergänge absatzfrei sind.

8.2 Reparatur



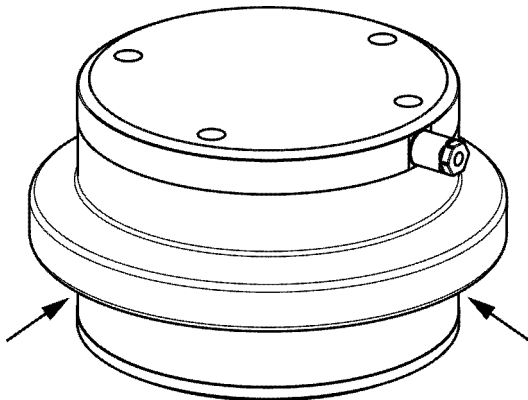
Achtung!

Die Wägezelle PR 6241 ist, soweit es die hohe Messgenauigkeit erlaubt, robust gebaut und weist eine hohe Zuverlässigkeit auf. Ist dennoch eine Wägezelle elektrisch oder mechanisch defekt, muss sie ausgewechselt werden.

Eine Reparatur ist nicht möglich!

Hinweis: Ersatzteile siehe Kapitel 10.

8.3 Reinigung



Das Wägemodul ist leicht zu reinigen.

Es kann mit Wasser abgespritzt werden (siehe Spezifikation IP 69K).

Dabei ist folgendes zu beachten:

- Den Wasserstrahl von oben nach unten und rund um das Wägemodul führen.
- Unbedingt darauf achten, dass auch die Unterseite der Falte (siehe Pfeile) gereinigt wird.



Achtung!

Beim Einsatz von Reinigungsmitteln ist zu beachten, dass ausschließlich Reinigungsmittel verwendet werden dürfen, deren Verträglichkeit mit den Materialien des Wägemoduls (siehe Kapitel 3.2.2) geprüft wurden.

9 Entsorgung

Wird die Verpackung nicht mehr benötigt, diese der örtlichen Müllentsorgung zuführen. Die Verpackung besteht durchweg aus umweltverträglichen Materialien, die als wertvolle Sekundärrohstoffe dienen.

10 Ersatzteile und Zubehör

Pos.	Bezeichnung	Laststufe	Bestell-Nr.
1	Druckstücksatz PR 6043/31S*	100 kg...2 t	9405 360 43312
2	Hülsen	100...500 kg	401210170841
3	Verbindungskabel PR 6135/..		9405 361 35 . .2
4	Verbindungskabel PR 6136/.., für Ex- Anwendung		9405 361 36 . .1
5	Verbindungskasten PR 6130/04		9405 361 30041
6	Verbindungskasten PR 6130/08		9405 361 30081
7	Verbindungskasten PR 6130/64Sa*, für Ex-Anwendung		9405 361 30642
8	Verbindungskasten PR 6130/68S*, für Ex-Anwendung		9405 361 30682
9	Adapterplatte PR 6041/80S		9405 360 41802
10	Balg		5312 530 28003
11	O-Ringe (2 Stück)		5312 530 58007
12	Kabelverschraubung (seitlich)		5312 505 48021
13	Kabelverschraubung (oben)		5312 505 48022
14	Bolzensatz (inkl. Sicherungsringe, Bolzen und Rolle)		5312 525 48003
15	Folie		5312 693 98119

Sommaire

1	Consignes de sécurité	3
2	Recommandations de construction	4
2.1	Disposition des modules de pesage	4
2.2	Aide pour le montage.....	5
2.3	Protection interne contre le basculement avec dispositif de levage intégré	5
2.3.1	Généralités.....	5
2.3.2	Dispositif de levage	6
2.3.3	Régler le dispositif interne de protection contre le basculement.....	6
3	Spécification	7
3.1	Contenu de la livraison	7
3.2	Module de pesage.....	8
3.2.1	Types.....	8
3.2.1.1	Module de pesage y compris le capteur de pesage	8
3.2.1.2	Module de pesage sans capteur (service)	8
3.2.2	Caractéristiques techniques.....	8
3.2.3	Dimensions.....	9
3.3	Capteur de pesage PR 6241/.....	10
3.3.1	Généralités.....	10
3.3.2	Certificats.....	10
3.3.3	Dimensions.....	11
3.3.4	Renseignements pour la commande.....	11
3.3.5	Caractéristiques techniques.....	12
4	Installation	14
4.1	Avant le montage	14
4.1.1	Préparer la fondation	14
4.1.2	Préparer le pied de la citerne.....	15
4.2	Couples de serrage.....	17
4.3	Montage.....	17
5	Raccordement	21
5.1	Généralités.....	21
5.2	Capteur de pesage	21
5.3	Connexions des câbles.....	22
5.4	Câble de connexion	22

6	Préparations avant l'étalonnage	23
6.1	Généralités	23
6.2	Réglage mécanique de la hauteur	23
7	Localisation des défauts	25
7.1	Vérification visuelle	25
7.2	Vérification des caractéristiques techniques	26
7.2.1	Vérifier le signal zéro du capteur de pesage	26
7.2.2	Vérification du circuit de pont des jauges de contrainte	26
7.2.3	Vérification de la résistance d'isolement du capteur de pesage	26
7.2.4	Vérifier la résistance d'isollements du câble de connexion	26
8	Entretien/réparation/nettoyage	27
8.1	Entretien	27
8.1.1	Remplacer le soufflet	27
8.1.2	Remplacer le capteur de pesage	29
8.2	Réparation	30
8.3	Nettoyage	30
9	Recyclage	31
10	Pièces de rechange et accessoires	31

1 Consignes de sécurité

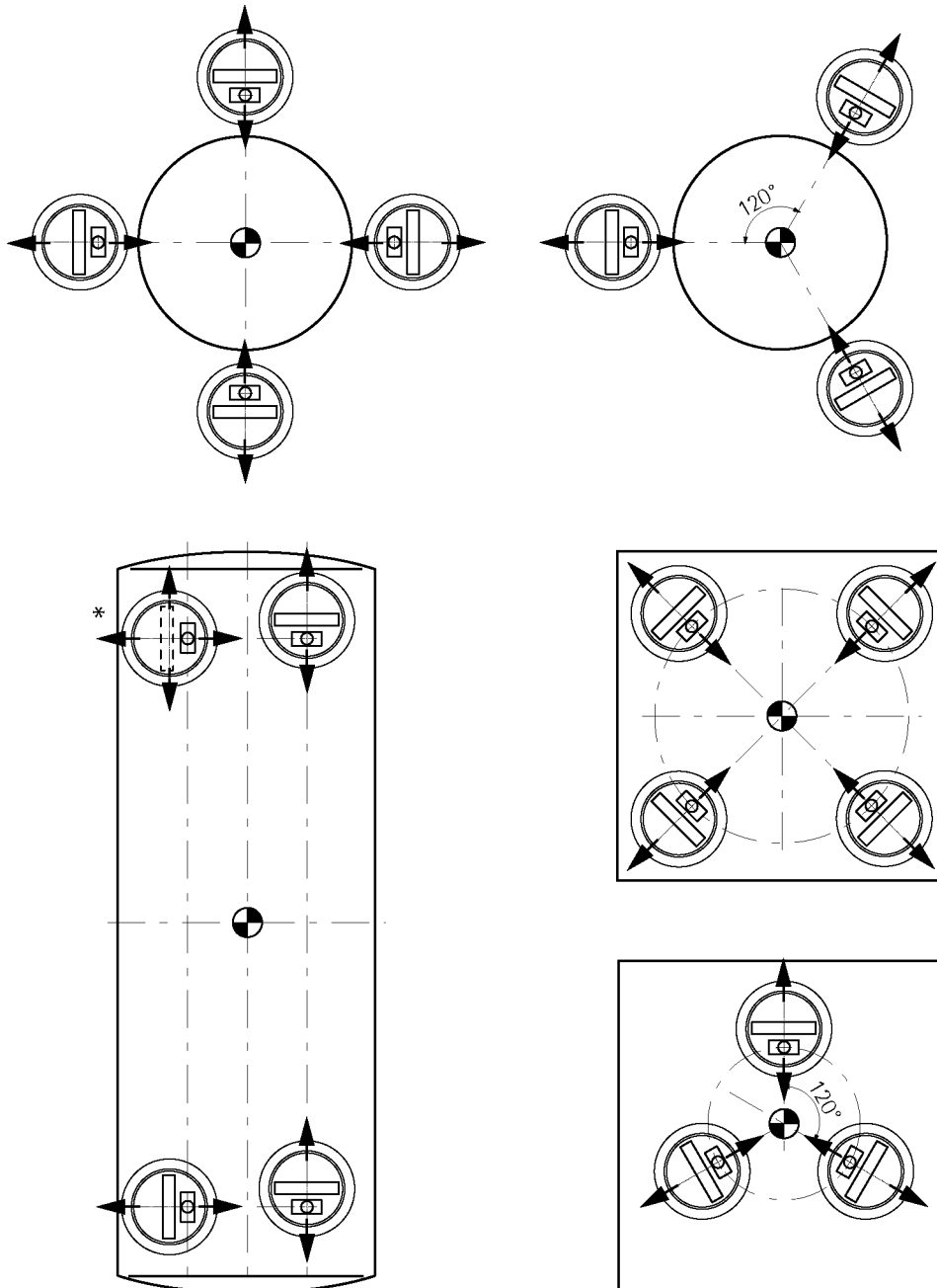
Le module de pesage hygiénique Contego® a été conçu spécialement pour les tâches de pesage utilisant des citernes de petit et de moyen ordre de grandeur où le nettoyage aisé et l'élimination des zones critiques du point de vue hygiénique sont d'une importance primordiale pour un processus de fabrication sûr et efficace.

Le module de pesage hygiénique Contego® doit être utilisé seulement pour les tâches de pesage pour lesquelles il a été conçu. Dimensionner toutes les pièces de montage et de construction à ce qu'une résistance suffisante aux surcharges éventuelles soit garantie en tenant compte des standards correspondants. Protéger surtout les objets à peser debout (citernes etc.) à ce que le renversement ou le déplacement de l'installation de pesage et, par conséquent, tout risque à la vie ou à la santé de personnes ou d'animaux, ou le risque d'endommager des objets soit évité, même en cas de rupture d'un capteur ou de pièces de montage.

L'installation et les réparations doivent être exécutées exclusivement par les personnes autorisées.

2 Recommandations de construction

2.1 Disposition des modules de pesage



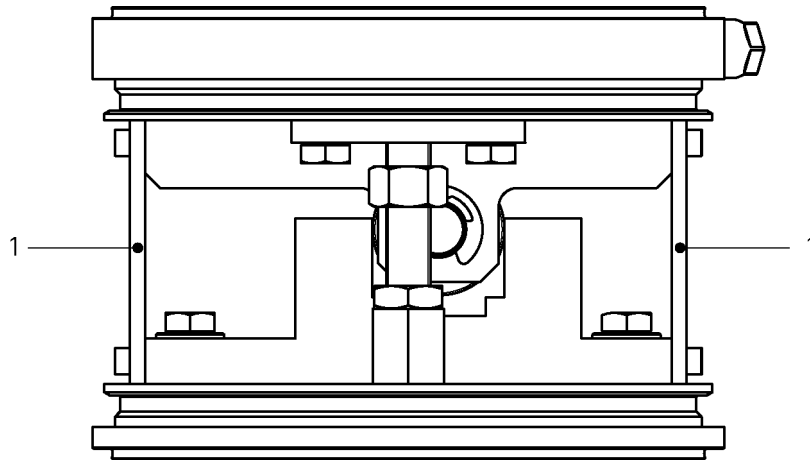
* Le cas échéant, défaire ou enlever l'arrêt, pour éviter des déformations.

L'infrastructure des citernes doit être horizontale, stable (niveau à bulle!) par rapport aux charges prédéfinies et plate. De préférence, les citernes doivent être installées sur 3 modules de pesage avec arrêt intégré (voir la figure).

Les forces parasites, les forces horizontales et les couples de torsion sont des grandeurs qui perturbent les mesures et dans le cas de dépassement des limites spécifiées peuvent endommager les capteurs..

2.2 Aide pour le montage

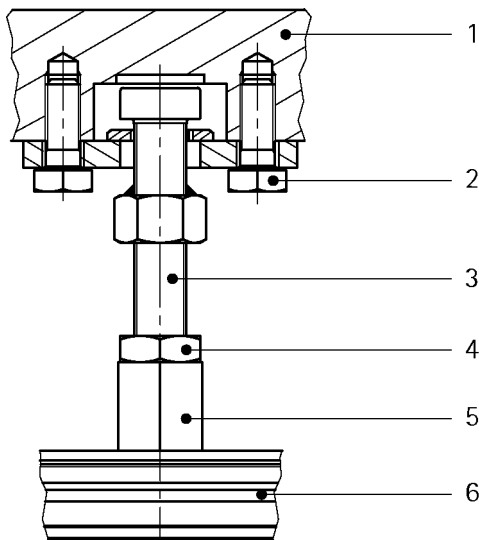
Les plaques de montage auxiliaires (1) facilitent l'installation du module de pesage.



2.3 Protection interne contre le basculement avec dispositif de levage intégré

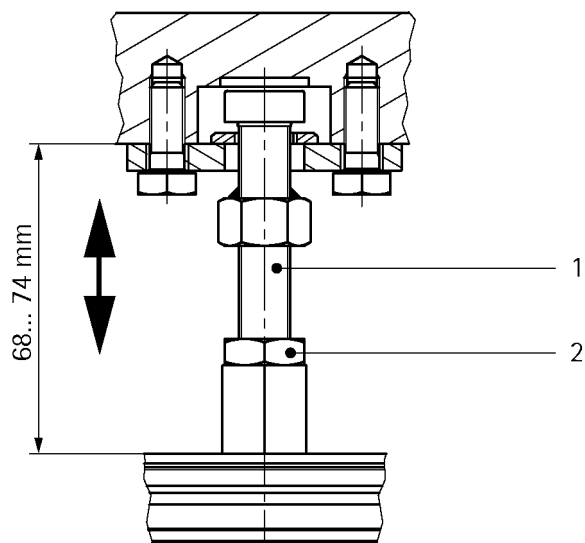
2.3.1 Généralités

Le module de pesage hygiénique Contego® est équipé d'un dispositif interne pour la protection contre le basculement, c'est-à-dire outre les trous de fixation, des trous supplémentaires dans le pied de la citerne ne sont pas requis. En outre, la citerne peut être levée en tournant la vis du dispositif de protection contre le basculement (3) (voir le chapitre 2.3.2), par exemple, lorsqu'on remplace le capteur de pesage.



Pos.	Description
1	Plaque supérieure
2	Vis (x 2)
3	Protection contre le basculement
4	Contre-écrou
5	Douille taraudée
6	Plaque inférieure

2.3.2 Dispositif de levage



Procédure

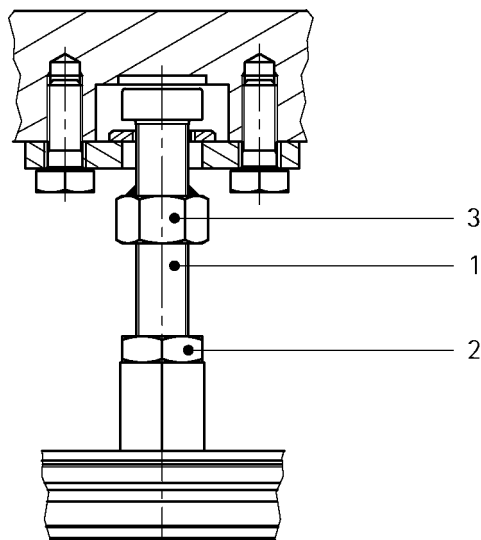
- Desserrer le contre-écrou (2).
- Tourner la vis (1) sur l'hexagone vers le haut, pour lever la citerne.

Attention ! Ne pas lever la citerne de plus de 6 mm !

Tourner la vis, jusqu'à ce que le capteur de pesage soit déchargé et puisse être enlevé avec la pièce de pression supérieure.

- Insérer la pièce de pression supérieure dans le capteur de pesage nouveau.
- Insérer le capteur de pesage dans le kit de montage, introduire le câble par le presse-étoupe et le bloquer; voir également le chapitre 8.1.2.
- Régler le dispositif interne de protection contre le basculement, voir le chapitre 2.3.3.

2.3.3 Régler le dispositif interne de protection contre le basculement

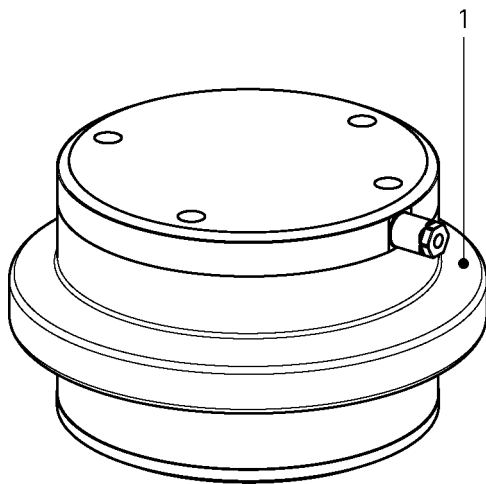


Procédure

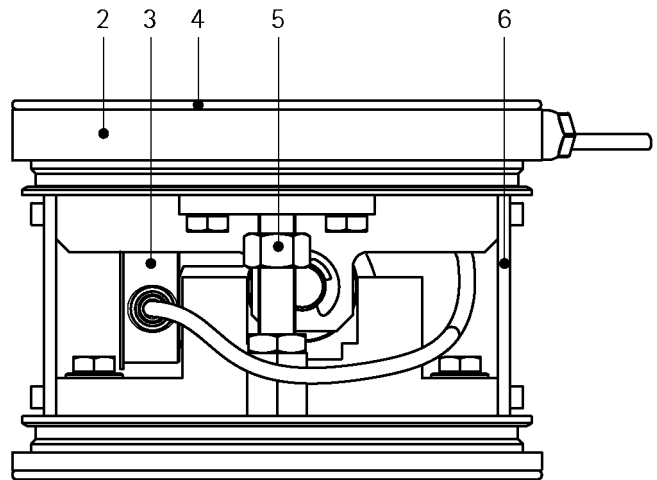
- Desserrer le contre-écrou (2).
- Tourner la vis (1) du dispositif de protection contre le basculement sur l'hexagone (3) vers le bas lentement jusqu'à l'arrêt.
- Tourner la vis dans le sens opposé à l'avance d'un tour à un tour et demi (environ 2 mm), pour régler l'écart.
- Resserrer le contre-écrou (2).

3 Spécification

3.1 Contenu de la livraison



Vue avec soufflet



Vue sans soufflet

Pos.	Description
1	Soufflet
2	Kit de montage PR 6041/60S ou PR 6041/70S
3	Capteur de pesage PR 6241/..
4	Joint torique (2x)
5	Protection contre le basculement/dispositif de levage
6	Plaques de montage auxiliaires (x 2)
Sans illustration :	
7	Kit des pièces de pression PR 6043/31S
8	Douilles (2x dans un sachet); seulement pour les capteurs PR 6241/12...52
9	Manuel d'installation 9499 053 24101
10	Mode d'emploi abrégé 9499 059 04101
11	Certificat du capteur de pesage

3.2 Module de pesage

3.2.1 Types

3.2.1.1 Module de pesage y compris le capteur de pesage

Pour charge nominale E_{max}	Classe d'erreur	Type*
100 kg	D1	A, Ex A, B, Ex B
200 kg	D1, C3	A, Ex A, B, Ex B
300 kg	D1, C3	A, Ex A, B, Ex B
500 kg	D1, C3	A, Ex A, B, Ex B
1 t	D1, C3	A, Ex A, B, Ex B
2 t	D1, C3	A, Ex A, B, Ex B

- * A = sortie de câble sur le côté
 B = sortie de câble sur le haut
 Ex = utilisation à l'intérieur de la zone menacée d'explosions

3.2.1.2 Module de pesage sans capteur (service)

PR 6041/60S	Kit de montage avec sortie de câble sur le côté
PR 6041/70S	Kit de montage avec sortie de câble le haut

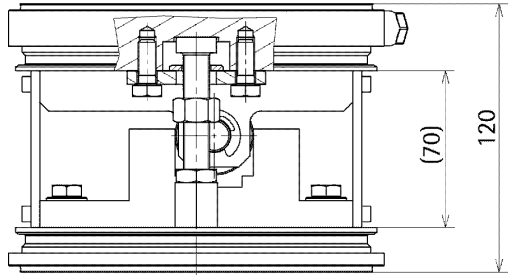
3.2.2 Caractéristiques techniques

Force horizontale admissible		7 kN
Force verticale sans capteur de pesage		1,5 t
Force de basculement admissible		8 kN
Force admissible pour le dispositif de levage		15 kN
Plage de température admissible		-40 °C ... +95 °C
Modes de protection		
	Poussière et eau	IP 69K : Protection contre la poussière selon DIN EN 60529 09/2000, section 13.4 Protection contre l'eau (lavage à haute pression) selon DIN 40050, partie 9
	Explosion	Adapté pour les sous-groupes d'explosion IIA, IIB und III. Pour IIC, veuillez demander.
Matériau		
	Soufflet	silicone (conforme à FDA)
	Kit de montage	1.4404 (AISI 316L)
Poids du module de pesage cpl.		
	net	environ 11 kg
	brut	environ 12 kg

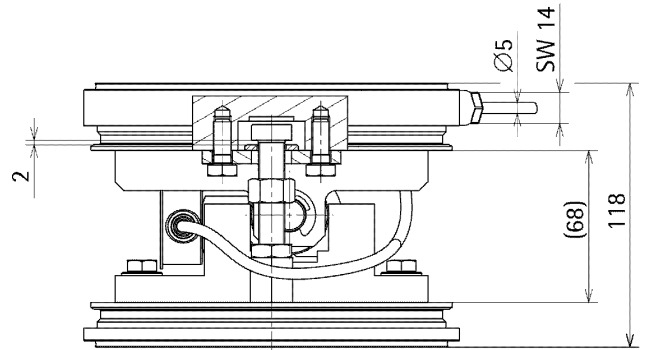
3.2.3 Dimensions

Etat de livraison: avec plaques de montage

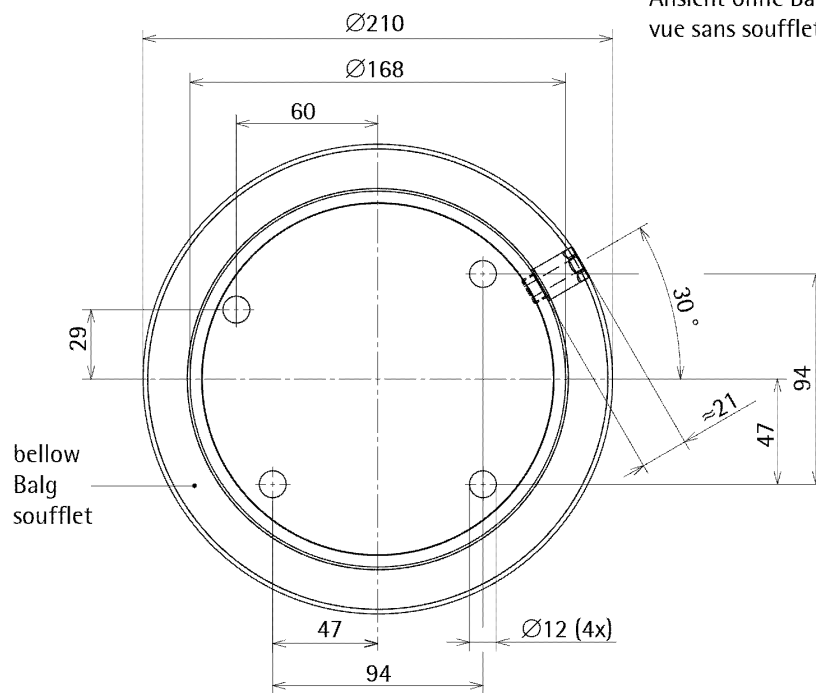
Position de montage



view without bellow
Ansicht ohne Balg
vue sans soufflet



view without bellow
Ansicht ohne Balg
vue sans soufflet



PR 6041/60S illustré

3.3 Capteur de pesage PR 6241/..

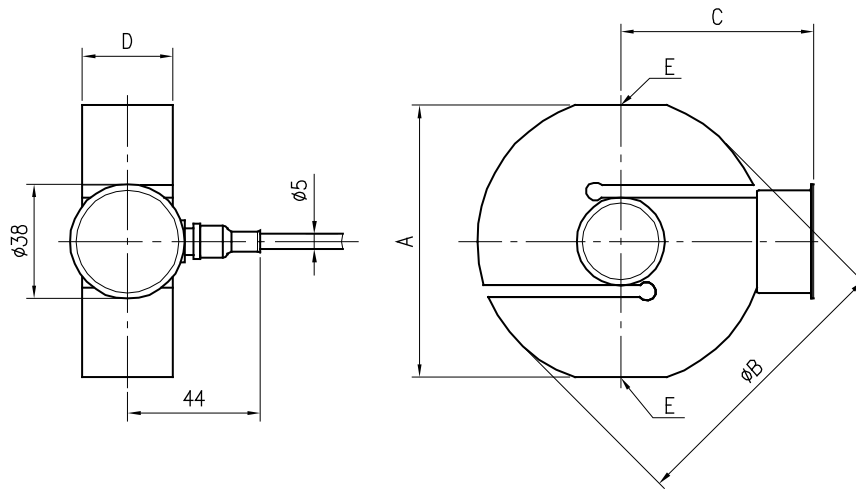
3.3.1 Généralités

Version	Acier inoxydable 1.4542 (AISI 630), hermétiquement scellé, rempli de gaz inerte.		
Mode de protection	IP 68 (à 1,5 m de profondeur, 10.000h) selon IEC 60529 (correspond à NEMA 6) IP 69K: Protection contre la poussière selon DIN EN 60529 09/2000, section 13.4 Protection contre l'eau (lavage à haute pression) selon DIN 40050, partie 9		
Indice de protection	Sécurité intrinsèque pour PR 6241/...E		
Câble	Diamètre	5 mm	
	Longueur	5 m	
	Section transversale	4×0,35 mm ²	
	Rayon de courbure	≥25 mm pour la pose fixe	
		≥75 mm pour la pose flexible	
	Gaine	Matériau : Elastomère thermoplastique Couleur : gris (version standard) bleu (version Ex)	

3.3.2 Certificats

Zone	Marquage	No. de certificat	pour
0 et 1	II 1G Ex ia IIC T6	PTB 02 ATEX 2059	seulement PR 6241/..E
20 et 21	II 1D IP65 T85°C	TÜV 03 ATEX 2301X	tous les PR 6241
2	II 3G Ex nA II T6	Déclaration du fabricant	tous les PR 6241
22	II 3D Ex tD A22 IP65 T85°C	Déclaration du fabricant	tous les PR 6241
	Class I, II, II Div 1, Groupe A, B, C, D, E, F, G T5 à T _{max} = 55°, T4A à T _{max} = 70°	FM : 3001200 CSA : 1058582	tous les PR 6241

3.3.3 Dimensions



toutes les dimensions en mm

Type	A [mm]	B [mm]	C [mm]	D [mm]	E [mm]
PR 6241/12...52	60	65	50	23	M12
PR 6241/13...23	60	65	50	30	M12

3.3.4 Renseignements pour la commande

Type	Charge nominale E _{max}	Version	Version Ex
PR 6241/12	100 kg	/..D1	/..D1E
PR 6241/22	200 kg	/..D1, /..C3	/..D1E, /..C3E
PR 6241/32	300 kg	/..D1, /..C3	/..D1E, /..C3E
PR 6241/52	500 kg	/..D1, /..C3	/..D1E, /..C3E
PR 6241/13	1 t	/..D1, /..C3	/..D1E, /..C3E
PR 6241/23	2 t	/..D1, /..C3	/..D1E, /..C3E

3.3.5 Caractéristiques techniques

			D1	C3
Classe d'erreur		---	0,04 % E_{max}	0,015 % E_{max}
Pré charge min. (charge morte)	Limite inférieure du domaine de mesure spécifié	E_{min}	0 % E_{max}	0 % E_{max}
Capacité max.	Limite supérieure du domaine de mesure spécifié	E_{max}	voir le chapitre 3.3.4	voir le chapitre 3.3.4
Charge max. utile	Limite supérieure de mesure possible	E_u	150 % E_{max}	150 % E_{max}
Charge de rupture	Limite de rupture mécanique	E_d	>300 % E_{max}	>300 % E_{max}
Echelon minimal	Échelon minimal du capteur de pesage, $v_{min} = E_{max}/Y$	Y	5.000	14.000
Retour du signal de précharge min.	facteur pour le retour du signal de charge morte après le chargement ($DR = 1/2 * E_{max}/Z$)	Z	1.000	3.000
Sensibilité	Sortie par rapport à la charge nominale	C_n	2 mV/V	2 mV/V
Variation de caractéristique relative	Écart de caractéristique autorisé	d_c	<0,25 % C_n	<0,07 % C_n
Tolérance du zéro	Ecart de zéro permis	S_{min}	<1,0 % C_n	<1,0 % C_n
Reproductibilité	Variation max. du signal de mesure pour les charges répétitives	ϵ_R	<0,01 % C_n	<0,005 % C_n
Fluage	Variation max. de la sortie sous capacité max. après 30 min.	d_{cr}	<0,03 % C_n	<0,015 % C_n
Variation de linéarité	Écart de la droite optimale par zéro	d_{Lin}	<0,03 % C_n	<0,01 % C_n
Hystérésis	Différence max. de la sortie capteur entre la montée en charge de 0 à la charge nominale et le retour à zéro	d_{hy}	<0,04 % C_n	<0,015 % C_n
Effet de la température S_{min}	Variation max. de $S_{min}/10K \Delta T$ dans B_T par rapport à C_n	TK_{Smin}	<0,028 % $C_n/10 K$	<0,01 % $C_n/10 K$
Effet de la température C_n	Variation max. de $C_n/10K \Delta T$ dans B_T par rapport à C_n	TK_C	<0,03 % $C_n/10 K$	<0,01 % $C_n/10 K$

			D1	C3
Résistance d'entrée	Entres les bornes de l'alimentation	R_{LC}	$650 \Omega \pm 6 \Omega$	$650 \Omega \pm 6 \Omega$
Résistance de sortie	Entres les bornes de la mesure	R_0	$610 \Omega \pm 1 \Omega$	$610 \Omega \pm 0,5 \Omega$
Résistance d'isolement	Entre le circuit de mesure et le boîtier, 100 V DC	R_{IS}	$>5.000 M\Omega$	$>5.000 M\Omega$
Tension d'alimentation recommandée	Pour les performances spécifiées	B_u	4...24 V	4...24 V
Tension d'alimentation max.	Permise pour fonctionnement permanent sans dommage, pour PR 6241/..E	U_{max}	28 V 25 V	28 V 25 V
Domaine de compensation de température	Pour maintenir les caractéristiques spécifiées	B_T	-10...+55 °C	-10...+55 °C
Domaine de température d'opération	Permise pour fonctionner	B_{Tu}	-40...+95 °C	-40...+95 °C
Domaine de température de stockage	Transport et stockage	B_{Ti}	-40...+95 °C	-40...+95 °C
Vibration	Accélération max. permise (IEC 68-2-6-Fc)	---	20 g, 100 h, 10...150 Hz	20 g, 100 h, 10...150 Hz
Effets de pression atmosphérique	Influence de la pression ambiante sur le zéro permis S_{min}	PK_{Smin}	$\leq 0,005 C_n / kPa$	$\leq 0,0025 C_n / kPa$
Déformation	Déformation élastique max. sous capacité max.	s_{nom}	<0,5 mm	<0,3 mm

4 Installation

4.1 Avant le montage

4.1.1 Préparer la fondation

Pour le module de pesage, la conception de la fondation doit être la suivante :

- surface de contact/d'étoupage horizontale (niveau à bulle !)
- surface de contact/d'étoupage plate
- capacité suffisante pour les charges prévues



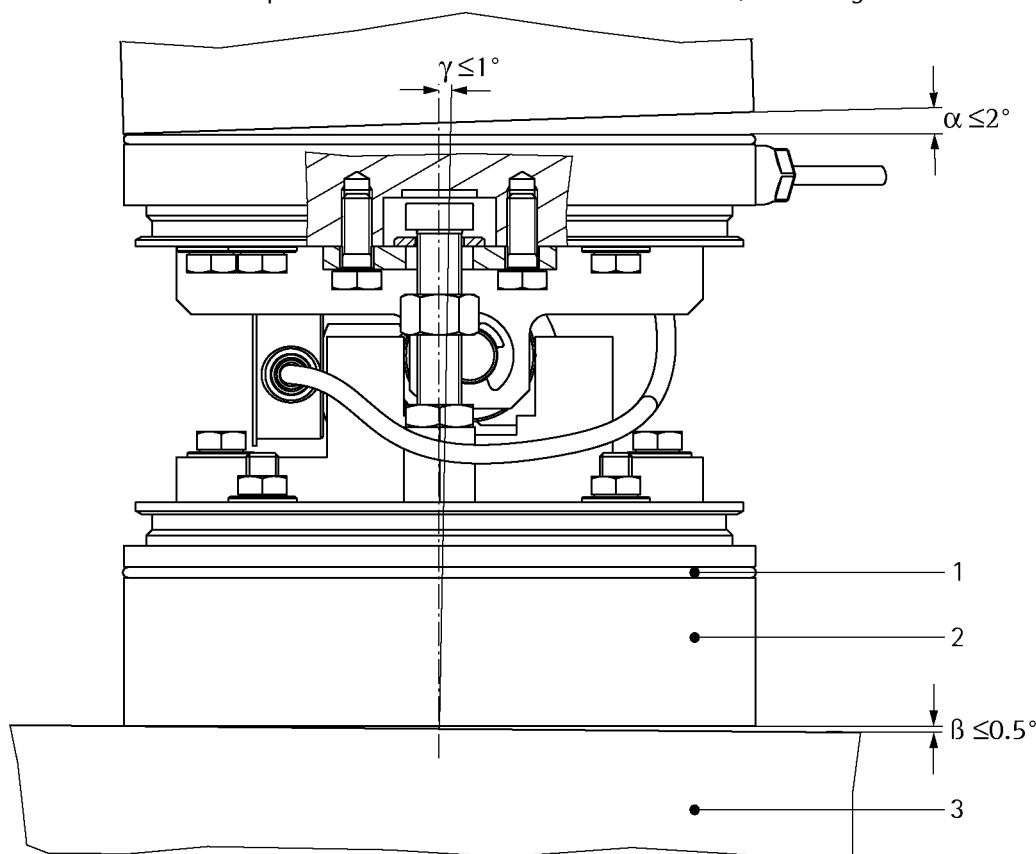
Attention !

Pour garantir l'étanchéité, nous recommandons d'utiliser la plaque d'adaptation PR 6041/80S.

L'interstice entre la fondation (3) et la plaque d'adaptation (2) doit obligatoirement être scellé.

Si aucune plaque d'adaptation n'est utilisée, l'étanchéité entre la plaque inférieure du module de pesage et la fondation (3) doit obligatoirement être réalisée au moyen d'un joint torique (1).

Afin d'éviter la surcharge des capteurs de pesage individuels, la distribution de la charge doit être la plus régulière possible. Les fondations des modules de pesage doivent être au même niveau, et les surfaces de contact de l'objet de pesage (par ex. citerne) doivent toujours être arrangées en parallèle. Il faut absolument tenir compte de l'inclinaison maximum admissible, voir la figure !



4.1.2 Préparer le pied de la citerne

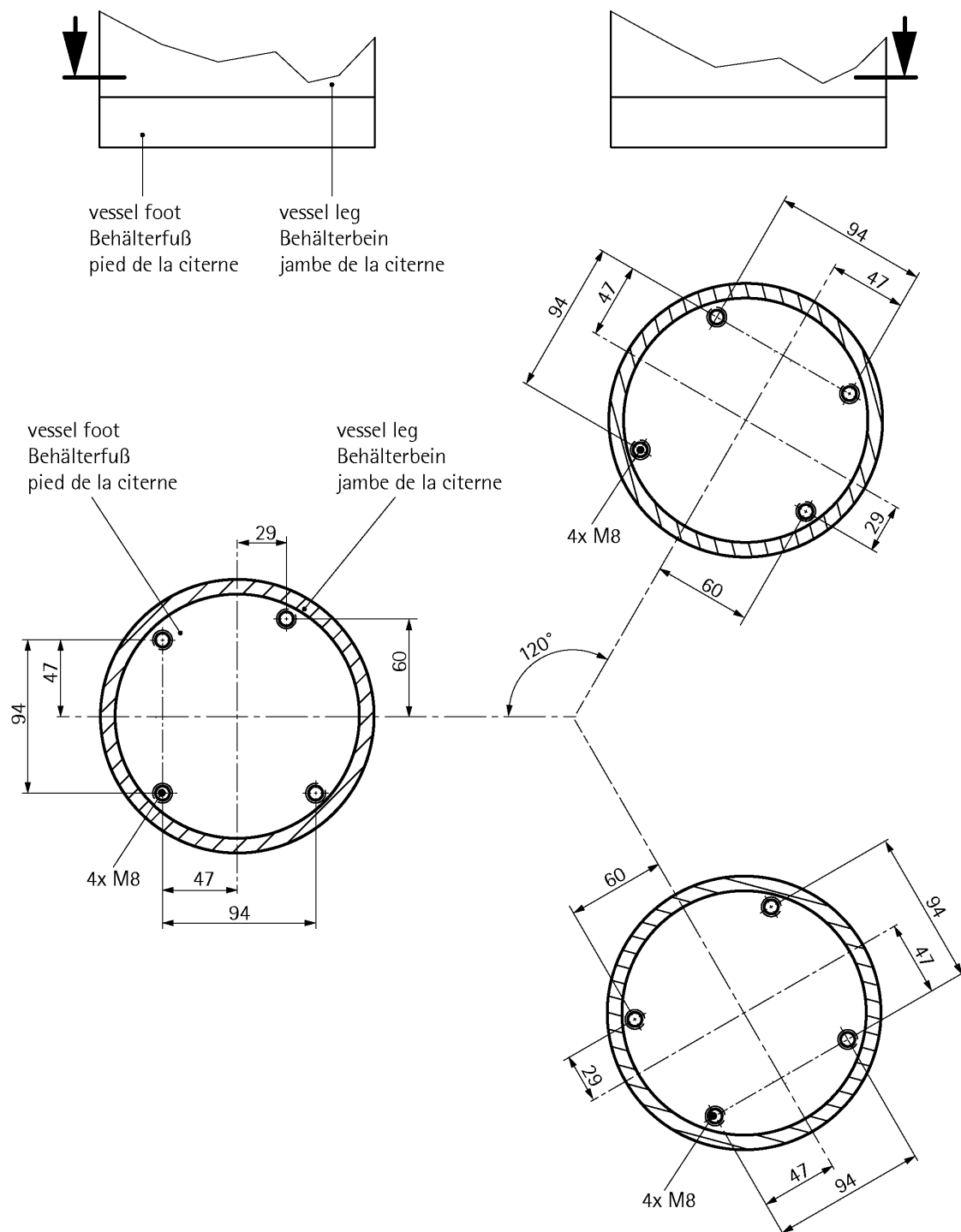


Attention !

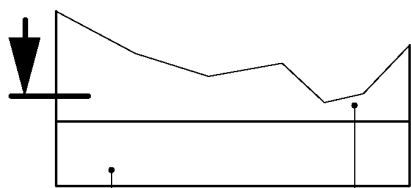
Réaliser le schéma de perçage de la plaque supérieure du module de pesage (voir le chapitre 3.2.3) pour chaque pied de citerne en fonction de la disposition des modules de pesage (voir le chapitre 2.1).

Remarque : Pour effectuer un nettoyage facile du module de pesage, le diamètre du pied et de la jambe de citerne, et de la plaque supérieure du module de pesage (cf. chapitre 3.2.3) doit être identique.

Exemple de disposition pour 3 modules de pesage

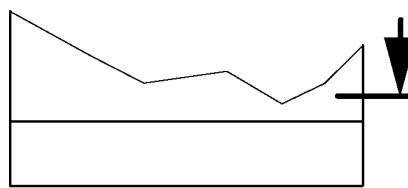


Exemple de disposition pour 4 modules de pesage



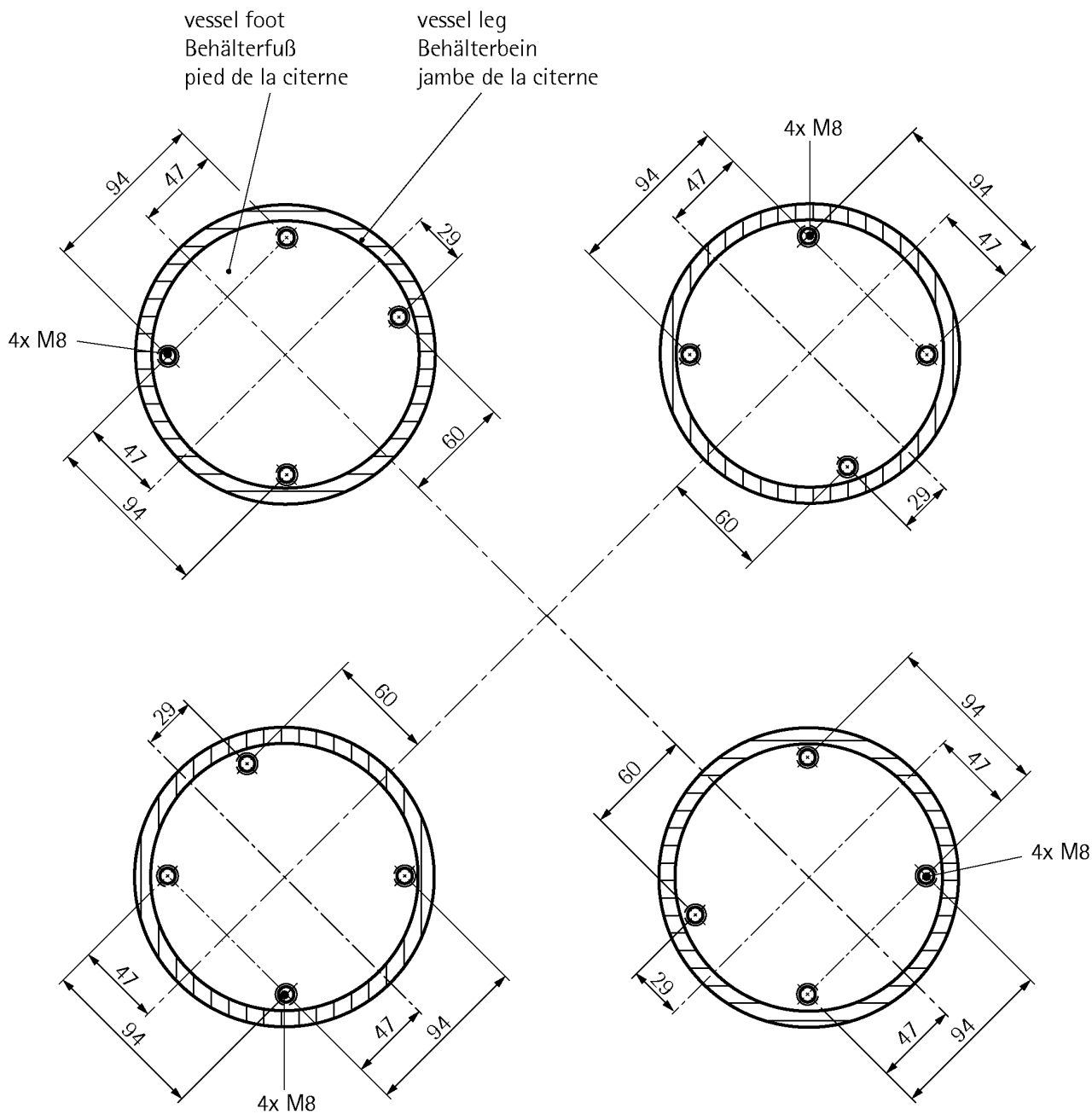
vessel foot
Behälterfuß
pied de la citerne

vessel leg
Behälterbein
jambe de la citerne



vessel foot
Behälterfuß
pied de la citerne

vessel leg
Behälterbein
jambe de la citerne



4.2 Couples de serrage

Pour les couples de serrage correspondants, voir la table suivante:

Pièces	Taraudage	Ressort [mm]	Couple de serrage
Plaque supérieure	M8-A2-70	*	16,5 Nm
Plaque inférieure	M8-A2-70	*	16,5 Nm
Protection contre le basculement	M6-A2-70		16,5 Nm
Douille taraudée	M18×2		68,0 Nm
Arrêt	M8-A2-70		16,5 Nm

* Recommandation pour les ressorts des vis de fixation M8
DIN7349 (d = 21, h = 4) ou DIN 9021 resp. ISO 7093-2 (d = 24, h = 2)

4.3 Montage



Mise en garde !

La citerne risque de basculer pendant le montage.

- La protection de la citerne contre le basculement est indispensable.
- Utiliser des engins de levage appropriés.

Remarque : Le module de pesage est livré préassemblé.

Le dispositif de protection contre le basculement (3) est réglé à ce que le capteur de pesage soit déchargé. Ainsi la surcharge du capteur de pesage pendant l'installation est évitée.

Si l'on utilise des plaques d'adaptation, une clé à douille avec insert 13 mm selon DIN 3124 (version longue) est requise.

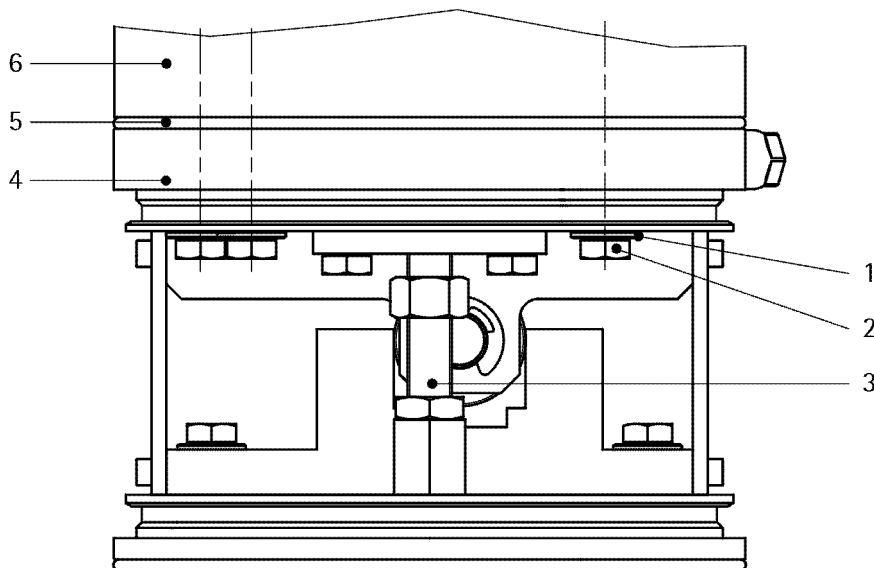


Attention !

Le soufflet et les joints toriques sont des pièces délicates.

Ne pas utiliser des outils pointus ou acérés !

Remarque : Les opérations suivantes doivent être réalisées sur tous les points de contact (par ex. pied de la citerne) de l'objet de pesage (par ex. citerne) !



Procédure



Attention !

Afin de garantir l'étoupage efficace, les surfaces de contact suivantes doivent être propres et plates :

- entre la plaque supérieure et le pied de la citerne
- entre la plaque inférieure et, le cas échéant, la plaque d'adaptation et la fondation

- Vérifier si tous les taraudages requis pour le montage (voir le chapitre 3.2.3) ont été percés dans le pied de la citerne (6).
- Insérer le joint torique (5) dans la rainure de la plaque supérieure (4) et mettre le module de pesage sous le pied de la citerne (6).
- Glisser le soufflet (sans illustration) sur le kit de montage et le pied de la citerne (6) avec précaution, pour garantir que le kit de montage reste accessible pour le montage.
- Monter le kit de montage sur le pied de la citerne (6). Il est indispensable de tenir compte des classes de résistance et des couples de serrage des vis (2) et des ressorts (1), voir le chapitre 4.1.2.

- Positionner la citerne sur la fondation (8).
- Marquer les trous (9) et le siège (10) (contour) de la plaque inférieure sur la fondation (8), voir la figure.

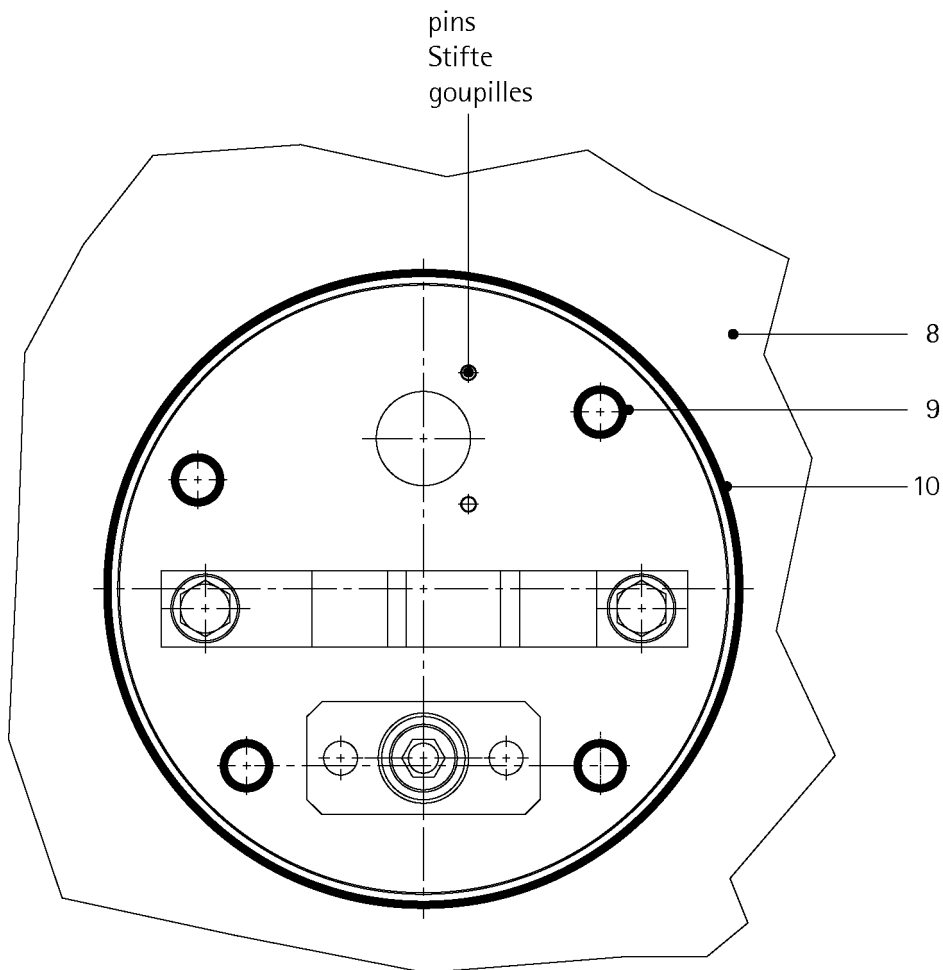
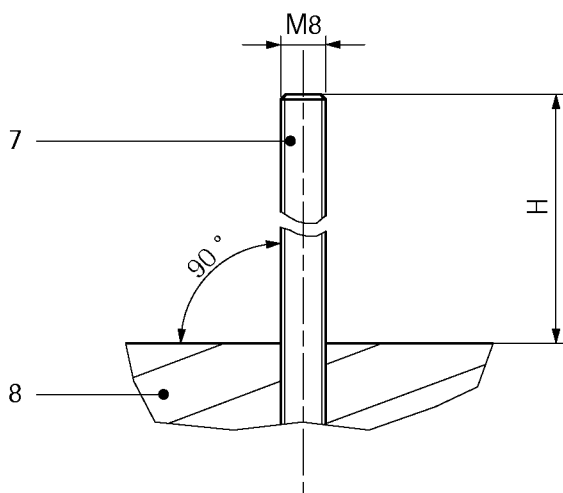


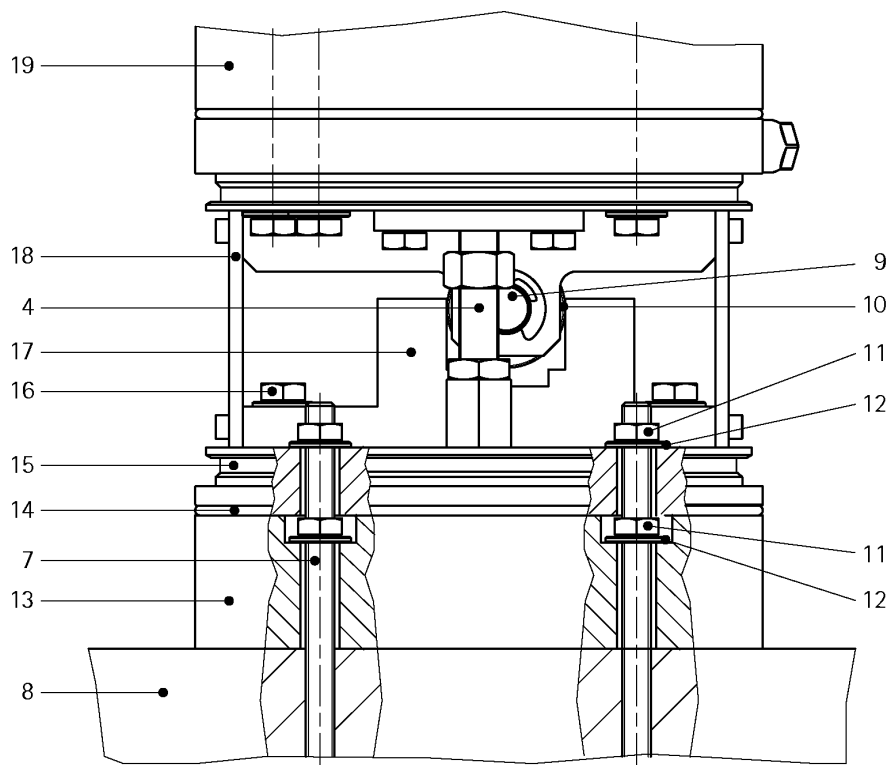
Schéma sans plaque supérieure et capteur de pesage

- Lever la citerne.
- Percer les trous pour les tiges filetées/visseries de fixation pour charges lourdes (7).



	H
sans plaque d'adaptation	35 mm
avec plaque d'adaptation	75 mm

- Il est indispensable d'insérer les tiges filetées/visseries de fixation (7) verticalement avec la hauteur correspondante <H>.



Si l'on utilise des plaques d'adaptation PR 6041/80S (13):

- Mettre la plaque d'adaptation (13) sur la fondation (8) à l'intérieur du contour marqué (voir la page 19).
- Monter la plaque d'adaptation (13) à l'aide de vis. Il est indispensable de tenir compte des classes de résistance et des couples de serrage des vis (11) et des ressorts (12), voir le chapitre 4.1.2.
- Insérer le joint torique (14) dans la rainure de la plaque inférieure (15).
- Descendre la citerne (19) sur la fondation (8)/les plaques d'adaptation (13) et serrer la plaque inférieure (15). Il est indispensable de tenir compte des classes de résistance et des couples de serrage des vis (11) et des ressorts (12), voir le chapitre 4.1.2.
- Valable seulement pour les capteurs de pesage PR 6241/12...52 :
Enlever les deux douilles du sachet et les mettre sur les goupilles (voir page 19).
- Enlever les plaques de montage auxiliaires (18) (si nécessaire, les décharger au moyen du dispositif de levage).
- Desserrer le contre-écrou (2), voir le chapitre 2.3.3.
- Tourner la vis (1) du dispositif de protection contre le basculement sur l'hexagone (3) vers le bas lentement, pour descendre la citerne sur le capteur de pesage, et régler le dispositif interne de protection contre le basculement (4), voir le chapitre 2.3.3.
- Vérifier si le boulon (9) ou/et le rouleau (10) peuvent tourner librement.
- Si le boulon (9) ou/et le rouleau (10) ne peuvent pas être tournés, le module de pesage est gauchi et doit être ajusté :
 - Desserrer les vis (16).
 - Déplacer l'arrêt (17), jusqu'à ce que le boulon (9) ou/et le rouleau (10) tournent de nouveau librement.
 - Resserrer les contre-écrous (16). Il faut absolument respecter les couples de serrage, voir le chapitre 4.1.2.
- Pousser le soufflet du pied de la citerne.
- Mettre le soufflet, le presser systématiquement dans la rainure circonférentielle de la plaque supérieure et inférieure et vérifier que les transitions soient plates.

5 Raccordement

5.1 Généralités



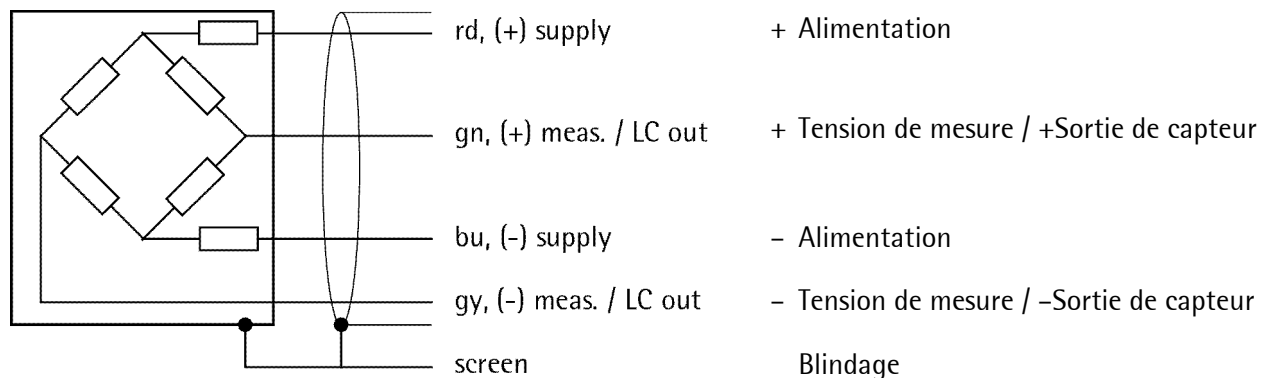
Attention !

L'extrémité du câble capteur est protégée contre les contaminations et l'humidité au moyen d'une enveloppe protectrice.

Enlever l'enveloppe seulement peu avant de raccorder le capteur!

- Protéger les embouts de câbles contre les encrassements. Eviter la pénétration d'humidité dans l'extrémité ouverte du câble.
- Ne pas raccourcir le câble de raccordement des capteurs. Brancher l'extrémité préparée et enrayer le surplus.
- Le blindage du câble ne doit être relié qu'à la borne de raccordement de l'indicateur.
- Maintenir les câbles des capteurs séparés des câbles de puissance.
- La distance minimum entre les câbles de mesure et les câbles de puissance ou les pièces sous tension doit être supérieure à 1 m.
- Nous recommandons de poser les câbles des capteurs dans des guides-câbles séparés ou dans des tuyaux d'acier blindés.
- Traverser des câbles de puissance rectangulairement.

5.2 Capteur de pesage



Code des couleurs

rd = rouge

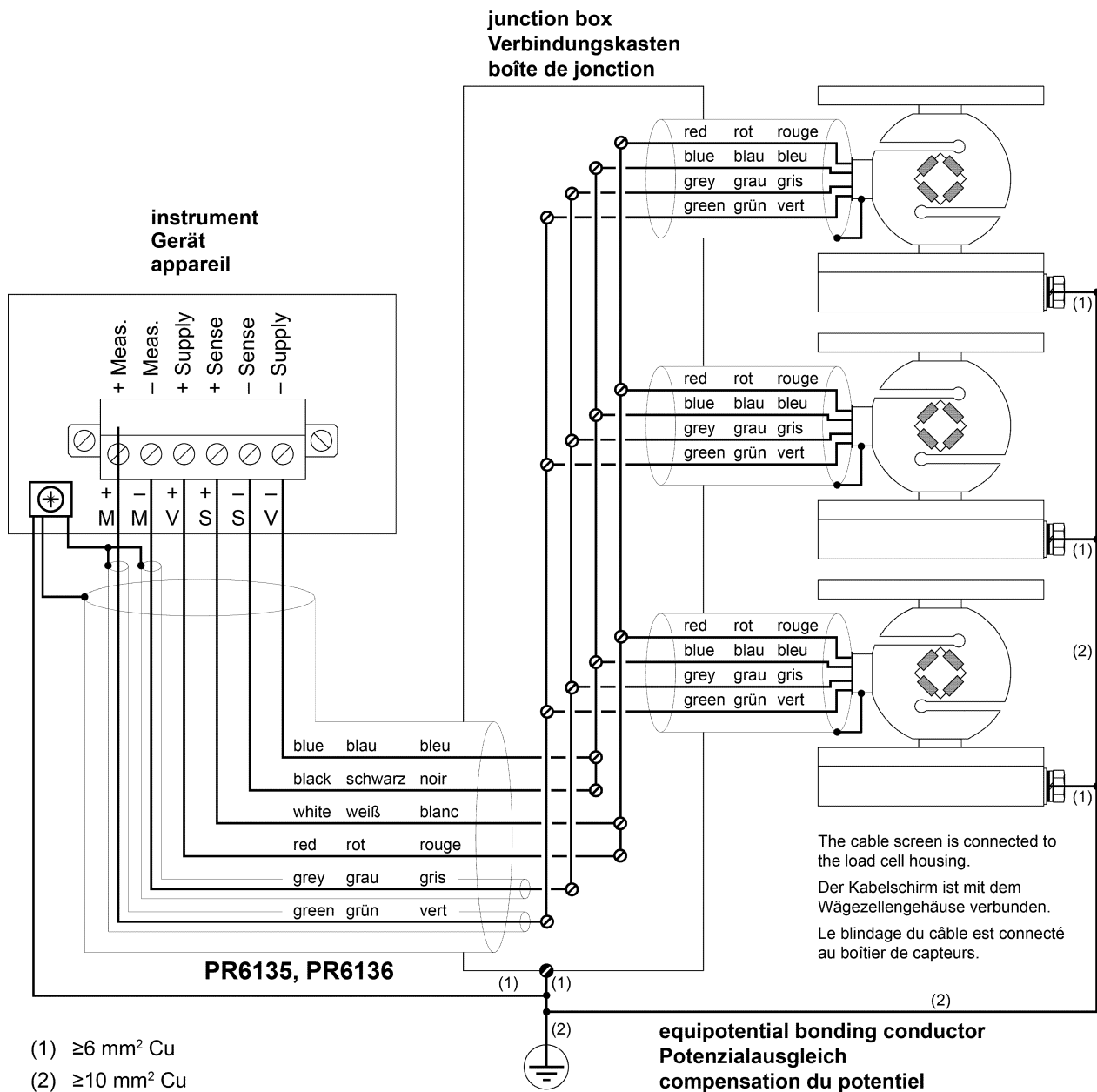
bu = bleu

gn = vert

gy = gris

5.3 Connexions des câbles

Remarque: Les appareils et le module de pesage ne sont représentés que schématiquement.



5.4 Câble de connexion

Pour la connexion de la boîte de jonction à l'électronique de pesage, nous recommandons l'utilisation des câbles de connexion suivants:

- PR 6135
- PR 6136 (pour application Ex)
- PR 6135A PR 6135A (blindé)
- PR 6136A (blindé, pour application Ex)

6 Préparations avant l'étalonnage

6.1 Généralités

Remarque: Pour l'étalonnage du système de pesage, voir le manuel de l'appareil de pesage.



Attention !

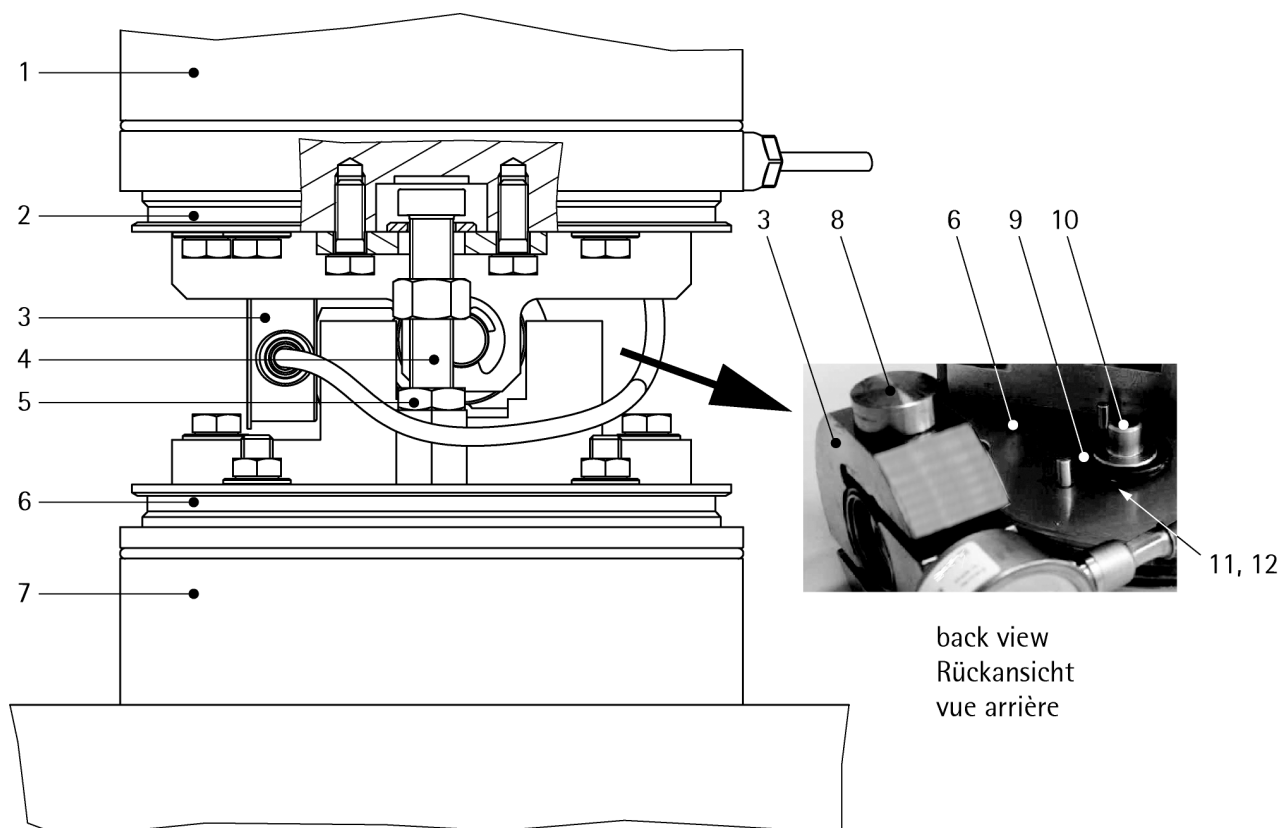
Avant de commencer l'étalonnage de l'installation de pesage, les capteurs de pesage exigent un temps de chauffe supérieur à 30 minutes.

6.2 Réglage mécanique de la hauteur

Pour garantir le chargement le plus régulier possible des capteurs, les systèmes avec plus de 3 capteurs doivent être soumis à un équilibrage de la hauteur.

- Charger les capteurs de la charge morte (par ex.: citerne vide).
- Alimenter les capteurs d'une tension stabilisée en parallèle, par ex. 12 V c.c.
- Mesurer les tensions de sortie des capteurs individuellement à l'aide d'un voltmètre et les comparer.

Le capteur du module de pesage avec la tension de sortie la plus faible doit être chargé davantage en calant des plaques d'équilibrage.



Manière de procéder

- Glisser le soufflet (sans illustration) sur le kit de montage et le pied de la citerne (1) ou vers le bas sur la plaque d'adaptation (7) avec précaution.
- Desserrer le contre-écrou (5).
- Tourner la vis (4) sur l'hexagone jusqu'à ce que le capteur de pesage (3) soit déchargé et retiré avec les deux pièces de pression (attention à ne pas perdre le joint torique (9) de la pièce de pression inférieure (10)).
- Sortir le tranchant (11) du logement (12) de la plaque inférieure (6) (éventuellement en s'aidant d'une courte bande autocollante ou d'un tournevis).
- Positionner la plaque d'équilibrage fine ébarbée (épaisseur totale max. 2 mm) dans le logement (12).
- Insérer le tranchant (11) et la pièce de pression (10), joint torique (9) compris dans le logement (12) de la plaque inférieure (6).
- Insérer la pièce de pression supérieure (8) dans le capteur de pesage (3) verticalement.
- Mettre le capteur de pesage (3) sur la pièce de pression inférieure (10).
- Tourner la vis (4) du dispositif de protection contre le basculement sur l'hexagone vers le bas lentement, pour descendre la citerne sur le capteur, tout en faisant attention à ce que la pièce de pression supérieure (8) glisse dans le logement de la plaque supérieure (2).
- Mesurer la tension de sortie des capteurs de pesage de nouveau. Si nécessaire, corriger la hauteur du capteur concerné ou d'un capteur supplémentaire.
- Régler le dispositif interne de protection contre le basculement, voir le chapitre 2.3.3.
- Mettre le soufflet, le presser systématiquement dans la rainure circumférentielle de la plaque supérieure et inférieure et vérifier que les transitions soient plates.

7 Localisation des défauts

Si l'on mesure des valeurs incorrectes ou non reproductibles après la mise en service et l'étalonnage, les mesures suivantes permettront un premier diagnostic.

7.1 Vérification visuelle

Objet à peser	La liberté de déplacement est-elle empêchée par des shunts de forces (tuyaux, soufflets, câbles)? Les connexions sont-elles souples et accouplées horizontalement? Des éléments rigidement connectés avec la bascule sont-ils en contact direct avec l'entourage? Y a-t-il de la friction entre l'objet à peser et son entourage (par ex. perforations couvertes de poussière, etc.)?
Boîte de jonction	Vérifier si de l'humidité n'a pas pénétré dans la boîte. Toutes les connexions soudées ou vissées sont-elles réalisées parfaitement?
Câble de connexion	La gaine du câble est-elle endommagée? Vérifier si de l'humidité n'a pas pénétré le câble.
Kit de montage	La protection contre le basculement est-elle en contact avec l'objet à peser? L'arrêt est-il serré?
Capteur de pesage	Les capteurs sont-ils positionnés verticalement? Le couvercle de la chambre de mesure du câble est-il endommagé ? La gaine du câble est-elle endommagée? Vérifier si de l'humidité n'a pas pénétré le câble.

7.2 Vérification des caractéristiques techniques

7.2.1 Vérifier le signal zéro du capteur de pesage

- Enlever la charge.
- Déconnecter les sorties de mesure des capteurs.
- Vérifier si la tension de sortie sans charge est à l'intérieur des limites.

Type	Sortie
D1, C3	0 mV \pm 0,02 mV/V

7.2.2 Vérification du circuit de pont des jauges de contrainte

- La tension d'essai ne doit pas être dépassée.
- Vérifier si les valeurs de résistance sont à l'intérieur des limites.

Tension d'essai max.	capteur standard	28 V DC
	Version à sécurité intrins. (PR.../..E)	25 V DC

Type	Résistance d'entrée (fil rouge, fil bleu)	Résistance de sortie (fil vert, fil gris)
D1	650 Ω \pm 6 Ω	610 Ω \pm 1 Ω
C3	650 Ω \pm 6 Ω	610 Ω \pm 0,5 Ω

7.2.3 Vérification de la résistance d'isolement du capteur de pesage

- Ne jamais appliquer la tension d'essai entre deux fils du câble capteur, pour éviter d'endommager le capteur de pesage irréparablement.
- Isoler les fils des capteurs.

Tension d'essai max.	Version standard	100 V c.c.
	Version à sécurité intrins. (PR.../..E)	500 V c.a.
Résistance d'isolement	entre les fils et le boîtier	>5000 M Ω
	entre les fils et le blindage	>5000 M Ω
	entre le blindage et le boîtier	>5000 M Ω

7.2.4 Vérifier la résistance d'isollements du câble de connexion

- Déconnecter les deux extrémités du câble de connexion (côtés capteur et appareil de mesure).
- Isoler les fils du câble de connexion.

Résistance d'isolement	entre les fils	\geq 600 M Ω \times km
	entre les fils et le blindage	\geq 600 M Ω \times km

8 Entretien/réparation/nettoyage

8.1 Entretien

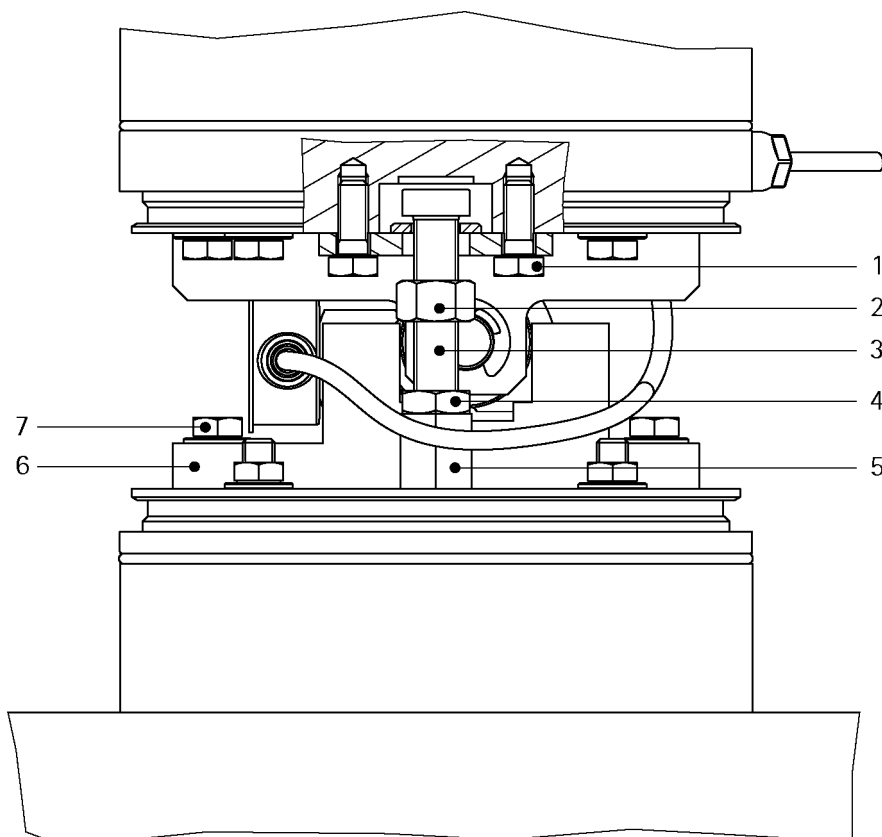
8.1.1 Remplacer le soufflet



Mise en garde !

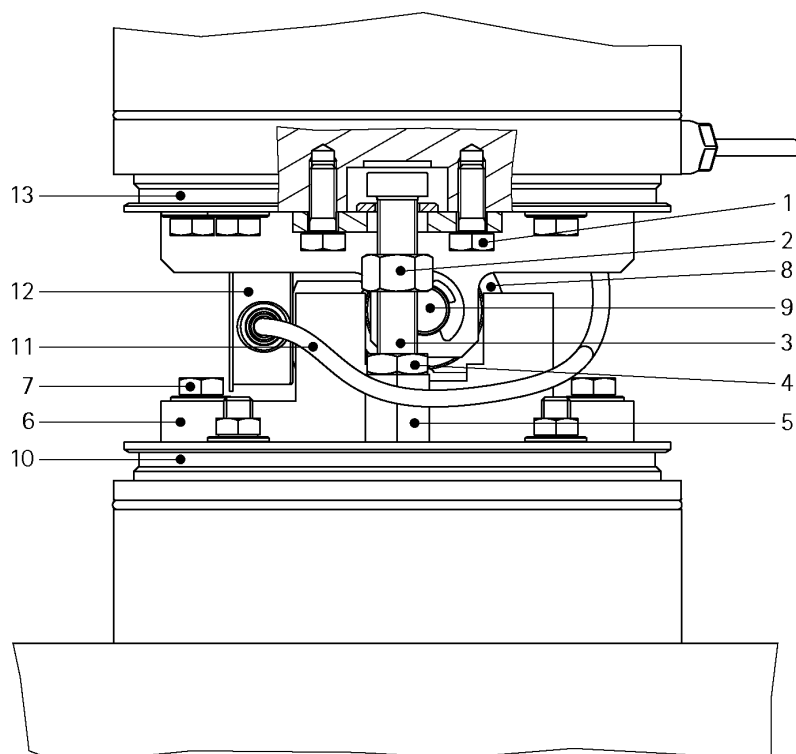
La citerne risque de basculer pendant le montage.

La protection de la citerne contre le basculement est indispensable.



Procédure

- Enlever le soufflet défectueux (sans illustration) et l'éliminer en respectant les réglementations locales.
- Desserrer les vis (7).
- Basculer l'arrêt (6) sur la plaque inférieure et le retirer vers le côté avec la membrane.
- Desserrer les vis (1).
- Desserrer le contre-écrou (4), introduire la vis du dispositif de protection contre le basculement (3) sur l'hexagone (2) dans la douille taraudée (5) et la serrer.
- Desserrer la douille taraudée (sécurisée au moyen de vernis Loctite) avec le dispositif de protection contre le basculement (3) complet et l'enlever.

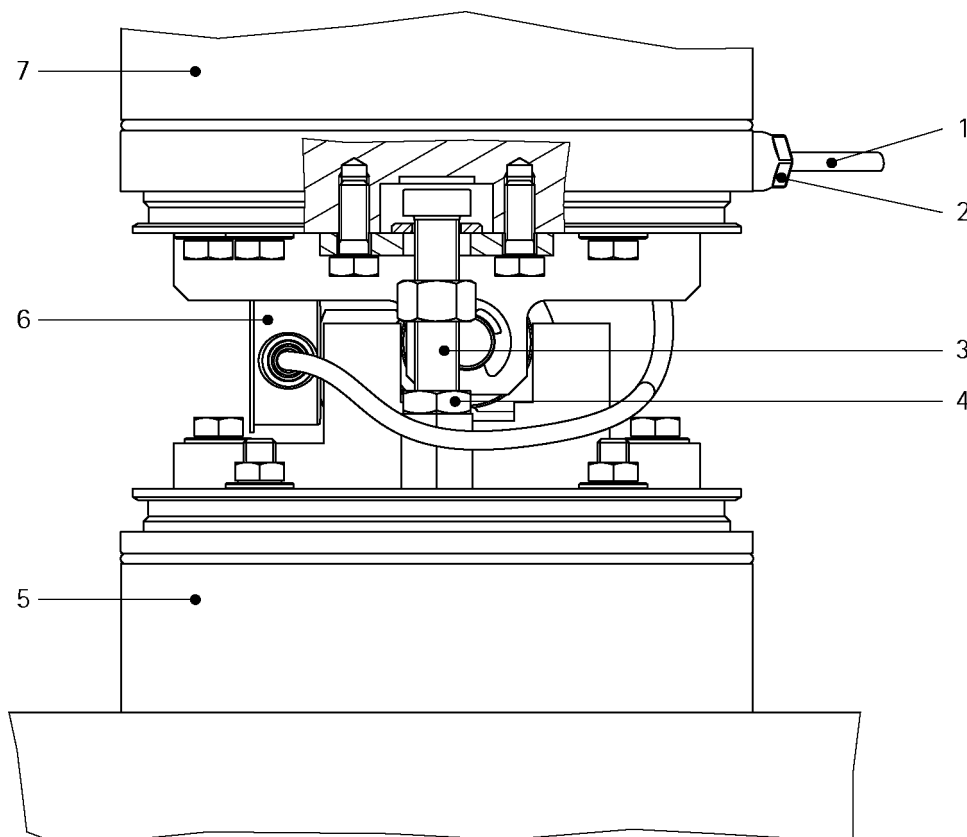
**Attention !**

Le câble du capteur de pesage doit être positionné au-dessus du soufflet et devant le dispositif de protection contre le basculement.

Il est indispensable de sécuriser la douille taraudée au moyen de Loctite.

- Insérer le soufflet nouveau (sans illustration) dans le module de pesage avec précaution, jusqu'à ce que la douille taraudée (5) avec le dispositif de protection contre le basculement (3) puisse être démontée. Il faut absolument respecter les couples de serrage, voir le chapitre 4.1.2.
- Resserer les contre-écrous (1).
- Tourner la vis du dispositif de protection contre le basculement (3) sur l'hexagone (2) vers le haut, pour lever la citerne. Tourner la vis, jusqu'à ce que le capteur de pesage (12) soit déchargé et puisse être enlevé avec la pièce de pression supérieure.
- Tirer le soufflet (sans illustration) vers l'arrière complètement et plier le bourrelet supérieur vers l'intérieur.
- Insérer le capteur de pesage (12).
- Tourner la vis (1) du dispositif de protection contre le basculement sur l'hexagone (3) vers le bas lentement, pour descendre la citerne sur le capteur, tout en faisant attention à ce que la pièce de pression supérieure glisse dans le creux de la plaque supérieure (13).
- Pousser le soufflet replié vers le haut, pour régler le dispositif de protection contre le basculement (3), voir le chapitre 2.3.3.
- Remonter l'arrêt (6) avec la membrane sur la plaque inférieure (10) à l'aide de vis. Il faut absolument respecter les couples de serrage, voir le chapitre 4.1.2.
- Si le boulon (9) ou/et le rouleau (8) ne peuvent pas être tournés, le module de pesage est gauchi et doit être ajusté :
 - Desserrer les vis (7).
 - Déplacer l'arrêt (6), jusqu'à ce que le boulon (9) ou/et le rouleau (8) tournent de nouveau librement.
 - Resserer les vis (7). Il faut absolument respecter les couples de serrage, voir le chapitre 4.1.2.
- Replier le soufflet et le presser systématiquement dans la rainure circconférentielle de la plaque supérieure et inférieure et vérifier que les transitions soient plates.

8.1.2 Remplacer le capteur de pesage

**Attention !**

Ne pas soulever ou transporter le capteur par son câble.

Remarque : Presse-étoupe du câble capteur

La position du presse-étoupe ne change pas en tournant !
Seulement le clamp intérieur est relâché.

Procédure

- Glisser le soufflet (sans illustration) sur le kit de montage et le pied de la citerne (7) ou vers le bas sur la plaque d'adaptation (5) avec précaution, pour garantir que le kit de montage reste accessible pour le montage.
- Desserrer le contre-écrou (4).
- Tourner la vis (3) sur l'hexagone vers le haut, pour lever la citerne. Tourner la vis (3), jusqu'à ce que le capteur de pesage (6) soit déchargé et puisse être enlevé.
- Desserrer le presse-étoupe (2) seulement, jusqu'à ce que le câble capteur (1) puisse être retiré (voir également la remarque).
- Enlever le capteur de pesage (6) du kit de montage et enlever la pièce de pression supérieure du capteur. Le tranchant et la pièce de pression inférieure (joint torique compris) restent sur la plaque inférieure.

- Insérer la pièce de pression supérieure dans le capteur de pesage nouveau.
- Insérer le capteur de pesage (6).
- Tourner la vis (1) du dispositif de protection contre le basculement sur l'hexagone (3) vers le bas lentement, pour descendre la citerne sur le capteur, tout en faisant attention à ce que la pièce de pression supérieure glisse dans le creux de la plaque supérieure (13).
- Tirer le câble capteur (1) par le trou prévu à cet effet dans la plaque supérieure et le presse-étoupe (2) et l'insérer dans une position détendue (boucle).
Le câble ne doit pas être en contact avec l'intérieur du soufflet ultérieurement !
- Serrer le presse-étoupe (2).
- Régler le dispositif interne de protection contre le basculement, voir le chapitre 2.3.3.
- Mettre le soufflet, le presser systématiquement dans la rainure circulaire de la plaque supérieure et inférieure et vérifier que les transitions soient plates.

8.2 Réparation



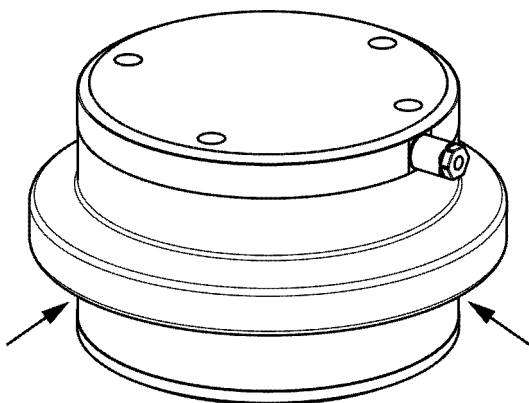
Attention !

Malgré la précision élevée du capteur de pesage PR6241, celui-ci est d'une construction robuste et fiable. Si un capteur est électriquement ou mécaniquement défectueux, il doit être remplacé.

Une réparation n'est pas possible !

Remarque : Pour les pièces de rechange, voir le chapitre 10.

8.3 Nettoyage



Le module de pesage est simple à nettoyer.

Il peut être nettoyé au jet d'eau (voir la spécification IP 69K).

Noter pour cela les points suivants :

- diriger le jet d'eau de haut en bas et guider de façon circulaire autour du module de pesage.
- Faire absolument attention à ce que la partie inférieure du pli (cf. flèche) soit également nettoyé.



Attention!

Lors de l'utilisation de produits de nettoyage, veiller à n'utiliser que des produits de nettoyage dont la compatibilité avec les matériaux du module de pesage (cf. chapitre 3.2.2) a été testée.

9 Recyclage

Si vous n'avez plus besoin de l'emballage de votre appareil, veuillez l'apporter au service local de retraitement des déchets. Cet emballage se compose entièrement de matériaux écologiques pouvant être recyclés.

10 Pièces de rechange et accessoires

Pos.	Description	Capacité max.	No. de commande
1	Kit des pièces de pression PR 6043/31S*	100 kg...2 t	9405 360 43312
2	Douilles	100...500 kg	401210170841
3	Câble de connexion PR 6135/..		9405 361 35 . . 2
4	Câble de connexion PR 6136/.., (pour application Ex)		9405 361 36 . . 1
5	Boîte de jonction PR 6130/04		9405 361 30041
6	Boîte de jonction PR 6130/08		9405 361 30081
7	Boîte de jonction PR 6130/64Sa*, (pour application Ex)		9405 361 30642
8	Boîte de jonction PR 6130/68Sa*, (pour application Ex)		9405 361 30682
9	Plaque d'adaptation PR 6041/80S		9405 360 41802
10	Soufflet		5312 530 28003
11	Joints toriques (qté: 2)		5312 530 58007
12	Presse-étoupe (sur le côté)		5312 505 48021
13	Presse-étoupe (vers le haut)		5312 505 48022
14	Boulon cpl. (y compris les circlips, le boulon et le rouleau)		5312 525 48003
15	Membrane		5312 693 98119

Sartorius Mechatronics T&H GmbH
Meiendorfer Straße 205
22145 Hamburg, Germany
Tel +49.40.67960.303
Fax: +49.40.67960.383
www.sartorius-mechatronics.com