

MSI-8000

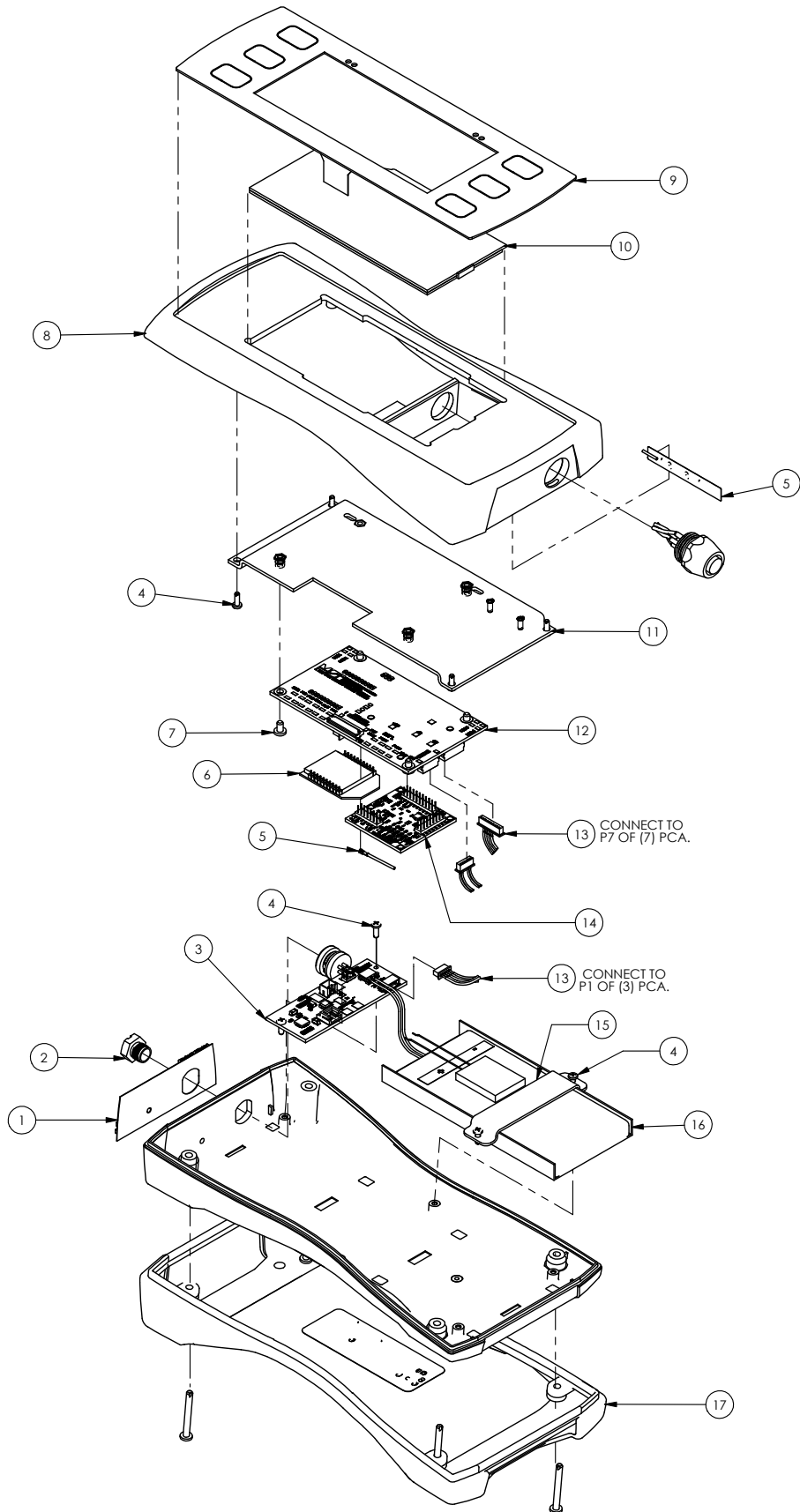
Remote Display



Part Number/Price

Item #	Part #	Description	Price
1	149451	Label charger serial FCC handheld display	Consult
2	144908	Conn closure cap IP68 picofast male	Consult
3	162339	PCA Li-Po battery charger 5 VDC	Consult
4	144935	Screw pan head 2-32 x 1/4 type B Phillips stainless steel	Consult
5	145065	Antenna patch 2.4 GHz ADH mount with fl. u coax	Consult
6	144773	Radio module Xbee-pro 802.15.4 u.fl connect	Consult
7	146593	Screw pan head 4-40 x 3/16 Phillips stainless steel	Consult
8	149407	Enclosure machined DynaLink2 REM display	Consult
9	149409	Label descriptive switch remote display	Consult
10	151575	LCD display 6-digit	Consult
11	149408	Mounting plate LCD PCA	Consult
12	151918	PCA 6-digit LCD 7300	Consult
13	139380	Cable assembly power/comm handheld	Consult
14	153428	PCA ScaleCore3 no a/d	Consult
15	179169	Bracket assembly	Consult
16	139336	Battery pack/charger li-polymer 3.7V	Consult
17	144874	Enclosure seal rubber armor blue	Consult

REPLACEMENT PARTS



REPLACEMENT PARTS