

Mettler Toledo® DigiTOL® Retrofit Kit

Stainless Steel, Rice Lake Weighing Systems/Flintec

RC1 Load Cells



Shown here with the JB8SP signal trim junction box. Picture is a representation of actual product.

Load Cell Approvals



DigiTOL Retrofit Order information

Description	Part #	Price
8 mount kit (RC1 - 250 kN) 1 JB8SP junction box	78713	Consult
10 mount kit (RC1 - 250 kN) 2 JB8SP junction boxes	78714	Consult
12 mount kit (RC1 - 250 kN) 3 EL304 junction boxes	152774	Consult

Complete Kit Includes

- Eight, ten or twelve Flintec NTEP Certified RC1-250 kN or RC3-50t stainless steel, hermetically sealed rocker column load cells with cups
- One JBSP NEMA Type 4X signal trim junction box or one EL204
- 100 ft of hostile environment EL147HE SURVIVOR® load cell cable

Standard Features

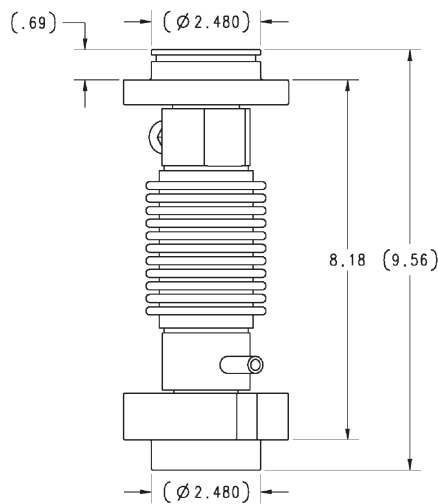
- Load cells are NTEP Certified 1:10,000 divisions, Class III*
- Converts existing Mettler-Toledo DigiTOL scale to an analog based load cell weighing system
- Rocker design load cells
- Load cups
- One-year limited warranty

*Consult your local Weights & Measures Authorities for local Legal for Trade requirements

Applications

- Mettler Toledo® DigiTOL® truck scale conversion

WEIGH MODULES



RC1-250KN

Mettler Toledo® DigiTOL® Retrofit Kit

Stainless Steel, Rice Lake Weighing Systems/Flintec

RC3 Load Cells



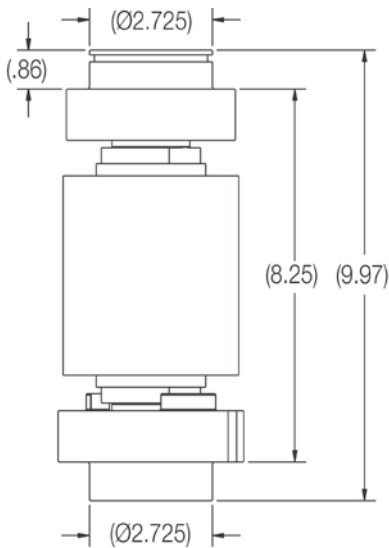
Shown here with the JB8SP signal trim junction box
Picture is a representation of actual product

Load Cell Approvals

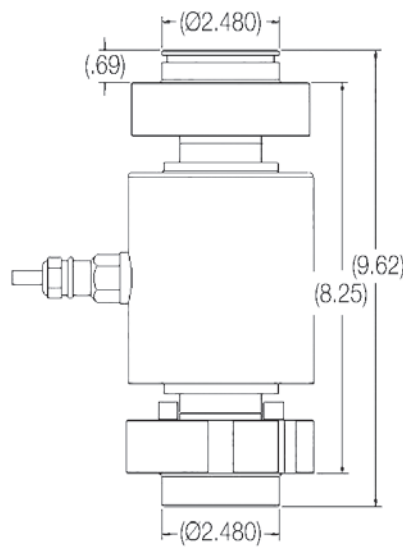


DigiTOL Retrofit Order information

Description	Part #	Price
8 mount kit (RC3 - 50t) RR/track 2 EL304 junction boxes	129844	Consult
8 mount kit (RC3 - 50t) truck 2 EL304 junction boxes	154347	Consult
10 mount kit (RC3 - 50t) RR/track 2 JB8SP junction boxes	111367	Consult
10 mount kit (RC3 - 50t) truck 3 EL304 junction boxes	154348	Consult
12 mount kit (RC3 - 50t) truck 3 EL304 junction boxes	154349	Consult



RC3-50t
RR TRACK



RC3-50t
TRUCK

Complete Kit Includes

- Eight, ten or twelve Flintec NTEP Certified RC1-250 kN or RC3-50t stainless steel, hermetically sealed rocker column load cells with cups
- One JBSP NEMA Type 4X signal trim junction box or one EL204
- 100 ft of hostile environment EL147HE SURVIVOR® load cell cable

Standard Features

- Load cells are NTEP Certified 1:10,000 divisions, Class III*
- Converts existing Mettler-Toledo DigiTOL scale to an analog based load cell weighing system
- Rocker design load cells
- Load cups
- One-year limited warranty

*Consult your local Weights & Measures Authorities for local Legal for Trade requirements

Applications

- Mettler Toledo® DigiTOL® truck scale conversion

WEIGH MODULES