

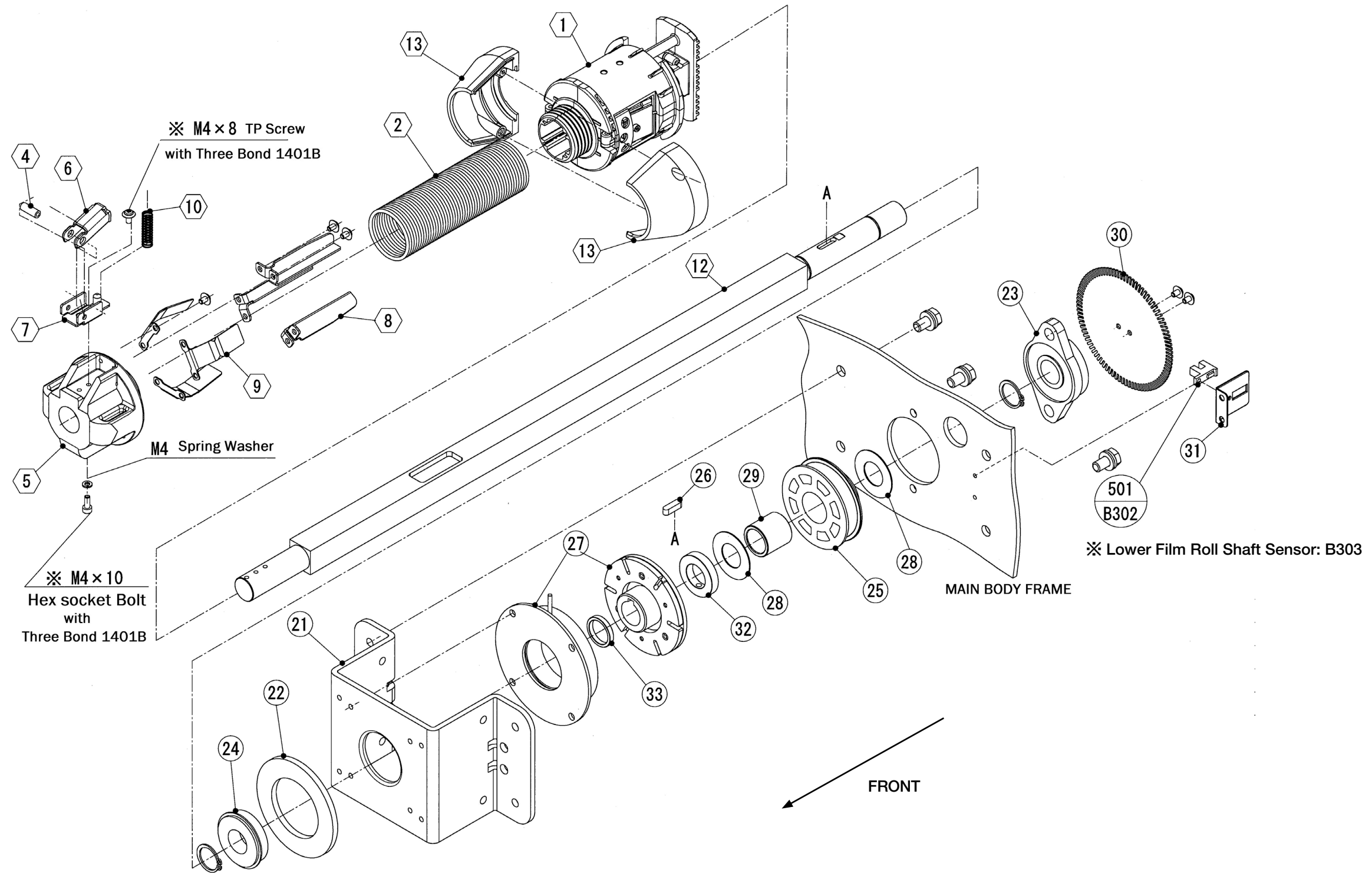
Film Roll Shaft Unit

Part Number/Price

REF #	PART #	DESCRIPTION	QTY	SYNONYM	PRICE
1	171858	Slide, roll assy, includes grab spikes	1	000-135-2870-09	Consult
2	197051	Spring, coil slide roll	1	000-070-5032-39	Consult
4	203963	Shaft, holder, roll	1	000-150-3396-05	Consult
5	203966	Holder, roll, film	1	000-073-7229-07	Consult
—	Consult	Bolt, hex socket head, M4x10	2	—	Consult
—	Consult	Washer, split, M4	2	—	Consult
6	203969	Stopper, film, roll	1	000-150-3397-10	Consult
7	201641	Bracket, holder, roll	1	000-091-0549-16	Consult
8	189282	Guide, roll, film	3	000-139-2762-09	Consult
9	189283	Spring, plate	3	000-070-5268-31	Consult
10	189284	Spring, coil, compressive	1	000-053-8768-03	Consult
12	203972	Shaft, roll	1	100-012-7174-01	Consult
13	203973	Guide, film roll	2	000-139-2761-05	Consult
21	203974	Bracket, roll hold	1	000-136-3676-03	Consult
22	203975	Sheet, stopper, round	1	000-147-0538-08	Consult
23	172600	Bearing, unit flange	1	000-030-6417-09	Consult
24	172602	Bearing, radial, deep groove	1	000-028-1568-09	Consult
25	172603	Timing pulley, S5M, BF, with one-way bearing	1	000-139-9396-04	Consult
26	189211	Key, parallel, both ends round	1	000-005-3753-09	Consult
27	172604	Brake assy, roll hold, Y300 (upper), Y301 (lower)	1	000-139-9079-03	Consult
28	200521	Washer, thrust M20 plastic	2	000-006-6101-09	Consult
29	172605	Clutch, one way	1	000-137-8116-00	Consult
30	189285	Plate B, encoder	1	000-139-9150-14	Consult
31	189286	Bracket, sensor	1	000-137-8121-36	Consult
32	203976	Collar, fixed film roll	1	000-139-2952-28	Consult
33	203977	Collar, film roll shaft	1	000-139-2965-17	Consult
501	171837	Photo interrupter, trans, straight connector, B302 (upper) B303 (lower)	1	000-132-6468-07	Consult

Ishida WM-Ai

Film Roll Shaft Unit



B302 - Rotation speed encoder, upper film roll
B303 - Rotation speed encoder, lower film roll