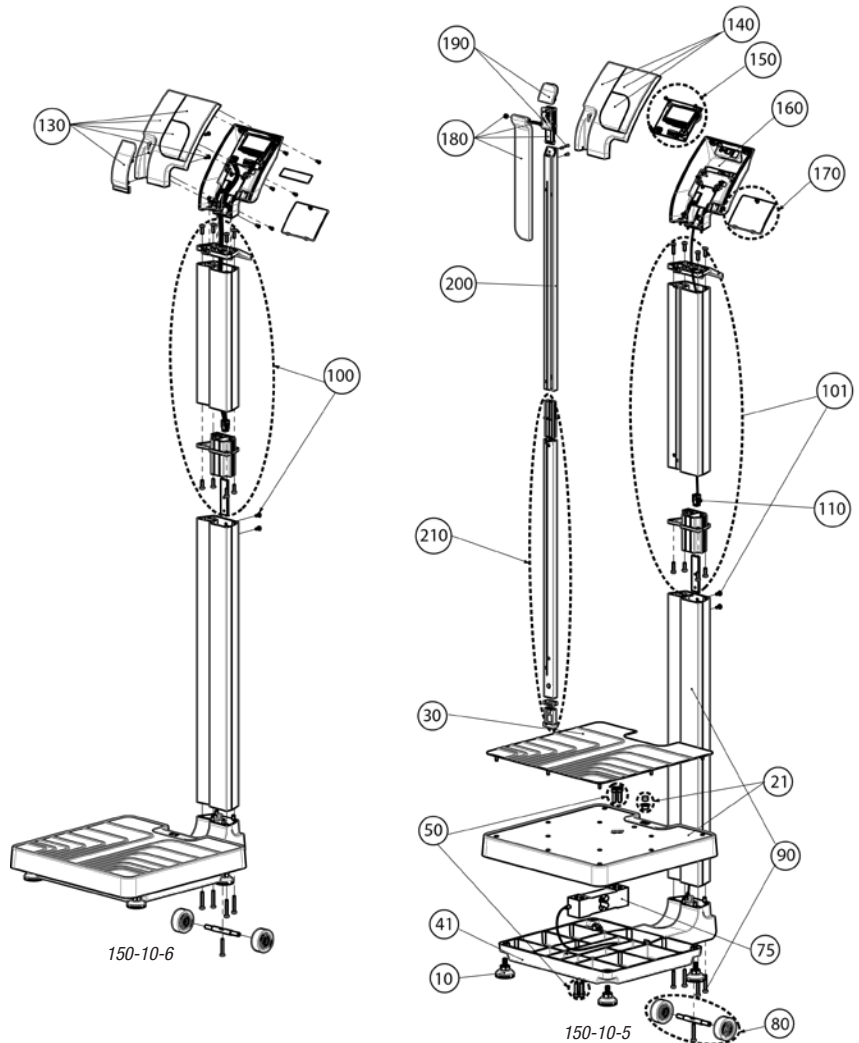


MEDICAL SCALES

150-10-5, 150-10-6

Part Number/Price

Ref#	Part#	Description	Price
10	164299	Feet	Consult
21	164300	Platform	Consult
30	164301	Mat	Consult
41	164303	Base	Consult
50	164304	Hardware	Consult
75	164306	Load cell	Consult
80	164305	Wheels	Consult
90	164307	Pillar	Consult
100	164308	Pillar, top	Consult
101	164309	Pillar, top	Consult
110	164310	Cable	Consult
130	164311	Display	Consult
140	164312	Display	Consult
150	164313	PCB	Consult
	207939	PCB with Bluetooth 2.0	Consult
	207548	PCB with BLE	Consult
160	164314	Back cover	Consult
170	164315	Battery	Consult
180	164316	Height rod	Consult
190	164317	Height rod	Consult
200	164318	Height rod	Consult
210	164319	Height rod	Consult



Medical Scales