



Picture is a representation of actual product.

**Approvals**

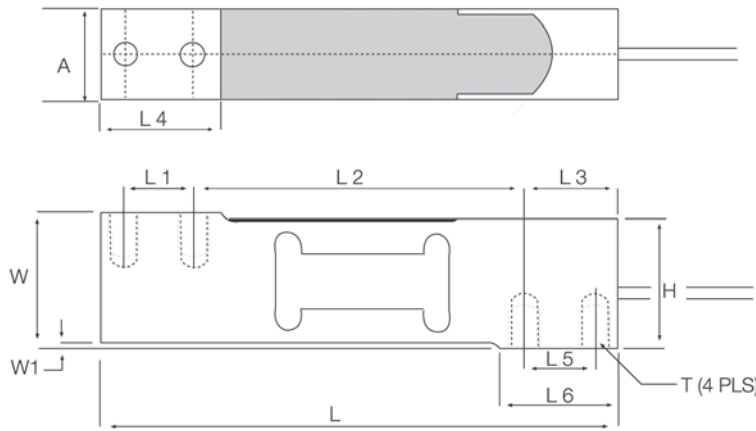


**Order Information**

Load Rating	Part #	Est. Weight	Price
1 kg	40955	1 lb	Consult
20 kg	40960	1 lb	Consult

**Dimensions**

Rated Capacity	A	H	L	L1	L2	L3	L4	L5	L6	W	W1	T
kg/mm												
1 to 20	20.0	39.0	150.0	19.0	100.0	25.0	34.0	19.0	34.0	40.0	1.0	1/4-20 UNC



**Interchangeable Products**

- RICE LAKE WEIGHING SYSTEMS
- RLSP4**..... page 170
- VPG® TEDEA-HUNTLEIGH
- 1042**..... page 328
- HBK®
- SP4M**..... page 242
- FLINTEC
- PC 42**

**Specifications**

- Full Scale Output:**  
2.0 mV/V
- Output Resistance:**  
350 (± 3) ohm
- Input Resistance:**  
415 (± 15) ohm
- Material/Finish:**  
Aluminum
- Temperature:**  
Compensated range  
14 °F to 104 °F (-10 °C to 40 °C)  
Operating range  
0 °F to 150 °F (-18 °C to 65 °C)
- Seal Type:**  
Environmentally sealed, IP66
- Safe Overload:**  
150% full scale  
Over-center loading point
- Rated Excitation:**  
5 to 10 VDC (15 V maximum)
- Combined Error:**  
0.02% full scale
- Deflection at Capacity:**  
0.015 in
- Insulation Resistance:**  
2,000 megohm
- Cable Length:**  
10 ft
- Cable Diameter:**  
0.200 in PVC jacket
- Cable Color Code:**  
Green +Excitation  
Black -Excitation  
Red +Signal  
White -Signal  
Blue +Sense  
Brown -Sense
- Platform Size:**  
16 × 16 in
- Warranty:**  
Two-year limited
- Approvals:**  
FM  
NTEP 97-138

