



Picture is a representation of actual product

Approvals

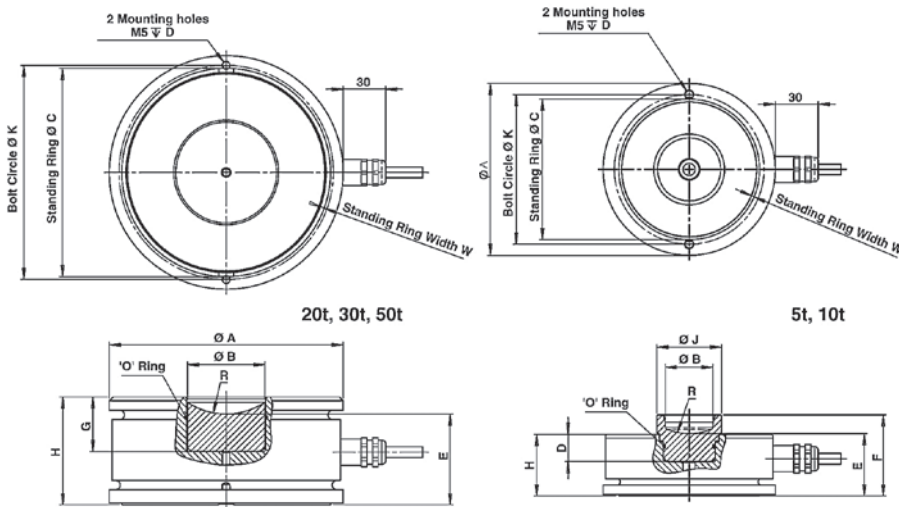


Order Information

Load Rating	Part #	Est. Weight	Price
5,000 kg	65854	3 lb	Consult
10,000 kg	65855	5 lb	Consult
20,000 kg	65856	8 lb	Consult
30,000 kg	65857	8 lb	Consult

Dimensions

Rated Capacity	A	B	C	D	E	H
kg/mm						
5,000	80.0	19.0	70.0	20.0	33.4	30.0
10,000	92.0	28.0	80.0	14.6	33.4	33.0
20,000 to 30,000	110.0	29.0	101.5	26.3	39.0	50.0



Interchangeable Products

AVERY WEIGH-TRONIX®
220

Weigh Module Available

RICE LAKE WEIGHING SYSTEMS
220..... page 49

Specifications

- Full Scale Output:**
2.0 mV/V
- Output Resistance:**
1,025 (± 20) ohm
- Input Resistance:**
1,065 (± 60) ohm
- Material/Finish:**
Stainless steel
- Temperature:**
Compensated range
14 °F to 104 °F (-10 °C to 40 °C)
Operating range
0 °F to 150 °F (-18 °C to 65 °C)
- Seal Type:**
Hermetically sealed, IP68
- Safe Overload:**
150% at center loading point, full scale
- Rated Excitation:**
5 to 10 VDC (15 V maximum)
- Combined Error:**
0.020% full scale
- Insulation Resistance:**
2,000 megohm
- Deflection at Capacity:**
< 0.5 mm at full scale
- Cable Length:**
5,000 kg: 5 m
10,000 to 20,000 kg: 10 m
30,000 kg: 20 m
- Cable Diameter:**
0.220 in
Polyurethane jacket
- Cable Color Code:**
Blue +Excitation
Black -Excitation
White +Signal
Red -Signal
Green +Sense
Gray -Sense
- Warranty:**
One-year limited
- Approvals:**
cFMus
OIML

TEDEA-HUNTLEIGH VPG