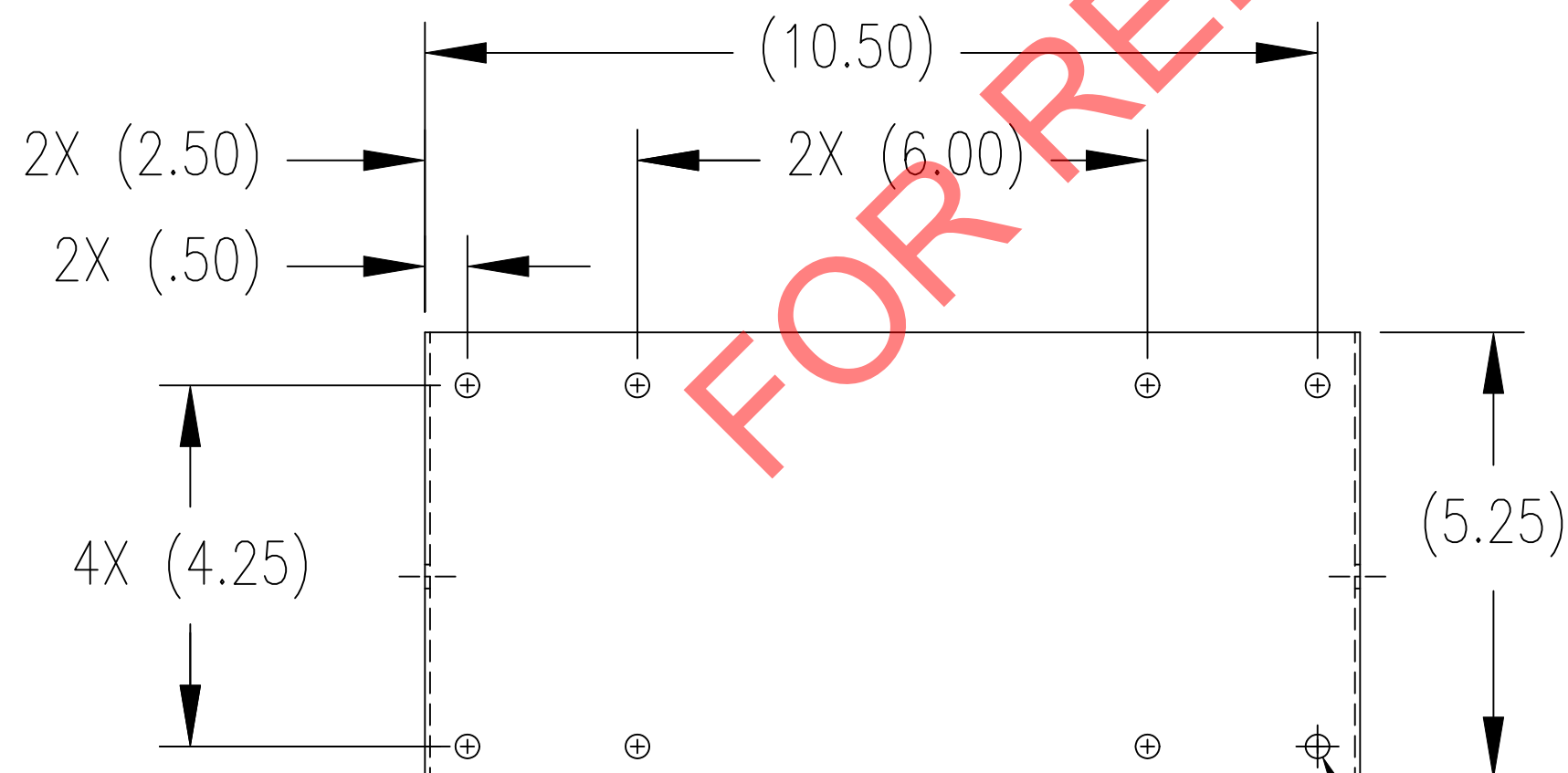
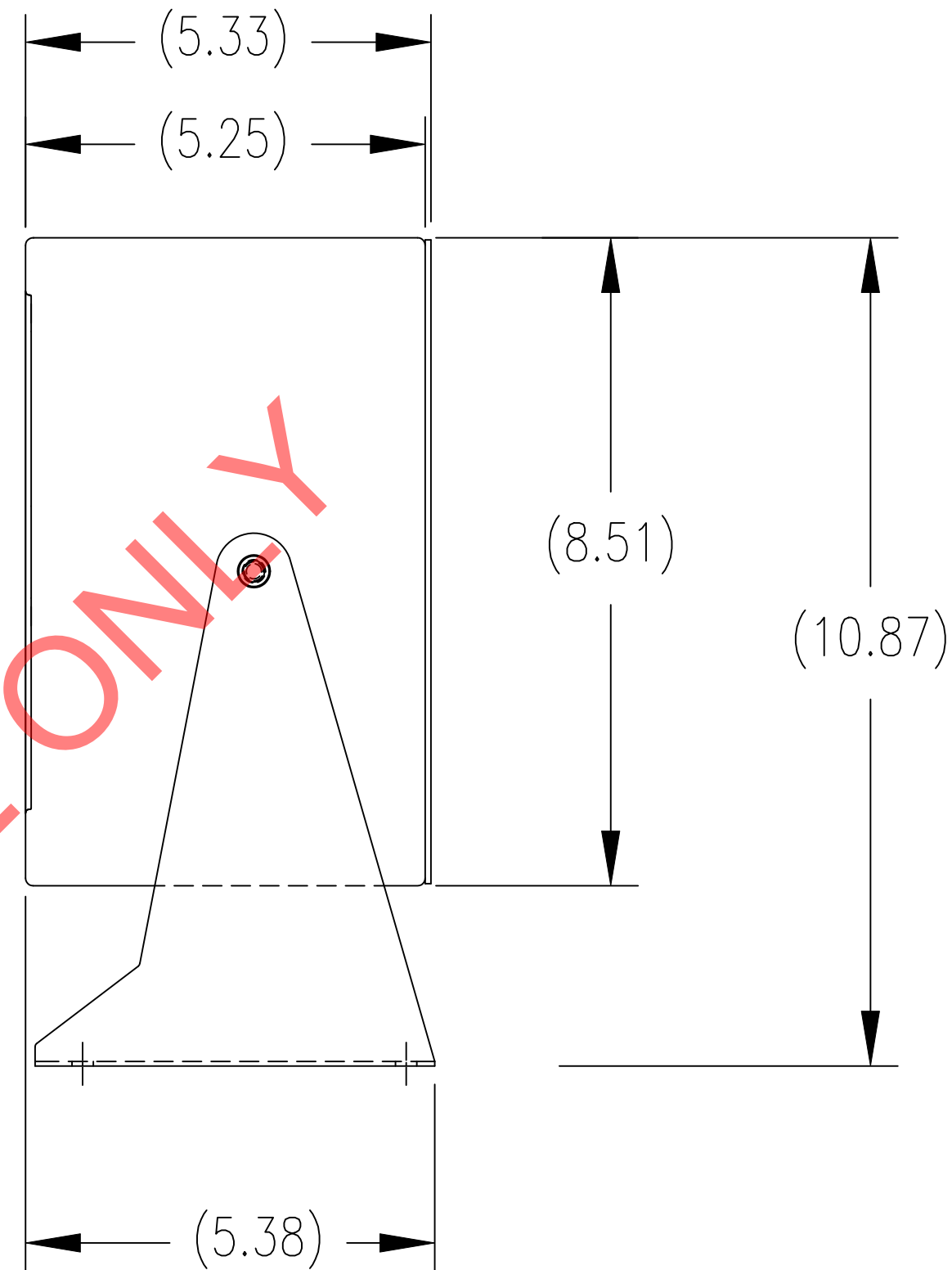
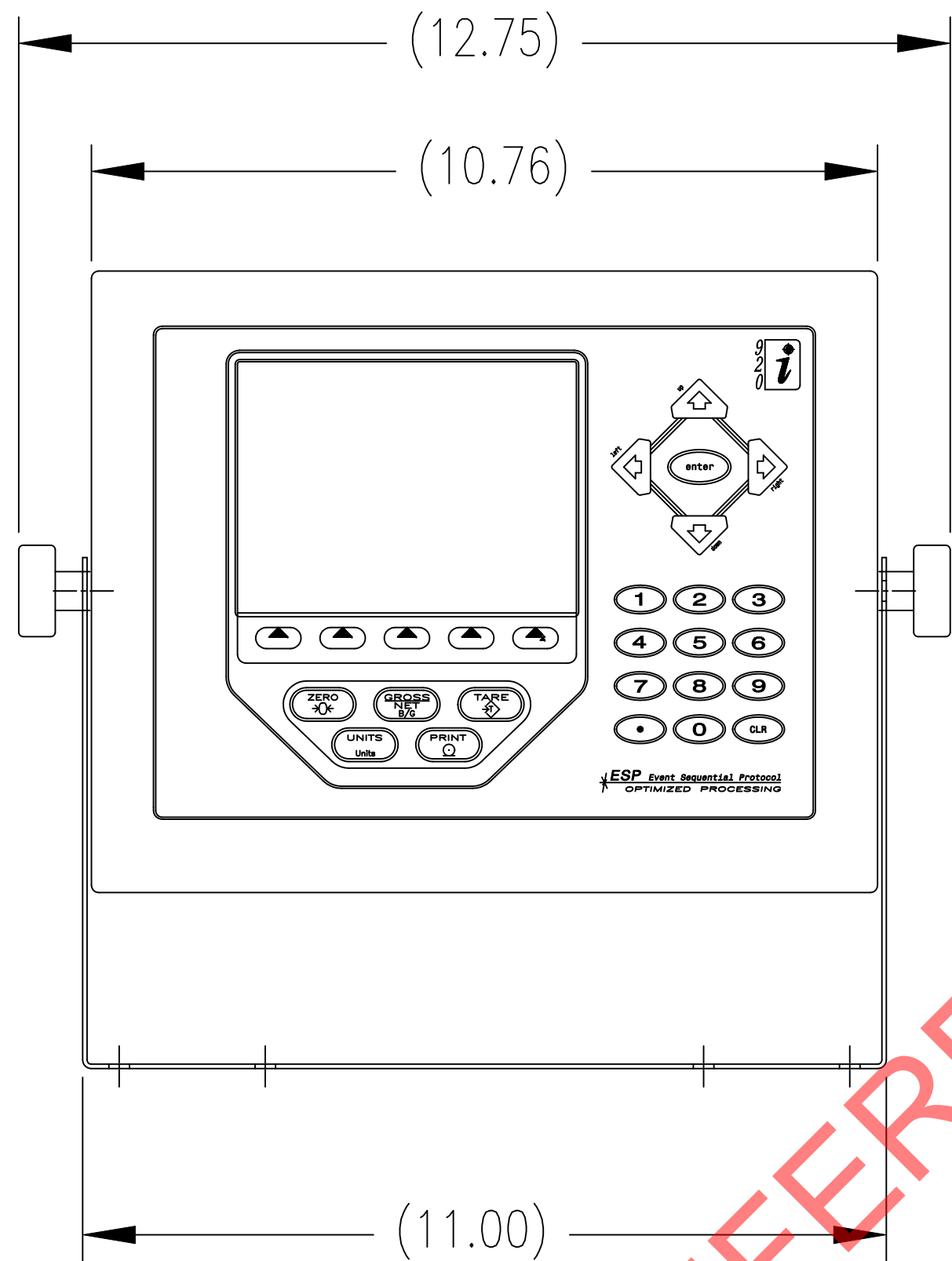


REVISION			
REV	REFERENCE	INIT	DATE



4X (.38) ϕ(.28) TYP

FOR REFERENCE ONLY

MATERIAL	SEE BOM	UNLESS OTHERWISE SPECIFIED UNITS TO BE INCHES ALL THREADS TO BE CLASS 2 ALL DIMENSIONS APPLICABLE AFTER TREATMENT <small>DO NOT SCALE DRAWING</small>	<small>THIS DRAWING AND INFORMATION CONTAINED          HEREIN IS AND REMAINS THE PROPERTY OF          RICE LAKE WEIGHING SYSTEMS INC. IT IS          SUBMITTED AND MAY BE USED ONLY IN          CONNECTION WITH RICE LAKE WEIGHING          SYSTEMS' PROPOSAL AND/OR ITS CUSTOMERS'          ORDERS. IT SHALL NOT BE DISCLOSED TO OTHERS          OR COPIED WITHOUT RICE LAKE WEIGHING SYSTEMS'          SPECIFIC WRITTEN CONSENT AND SHALL BE          IMMEDIATELY RETURNED UPON REQUEST.</small>		
	TREATMENT				NONE
		<small>DRAWING TOLERANCES UNLESS OTHERWISE SPECIFIED</small> SURFACE FINISH: .XX: --- .XXX: --- ANGLE: ±1°	TITLE: INDICATOR, 920i DEEP 115V		
		DES. ENG.: MFG. ENG.: DRAWN BY: DFH 11/18/09	<small>THIRD ANGLE PROJECTION</small> 	SHEET 1 OF 1 SCALE: 1:2 DWG NO. (82455)	REV NEW