

Portable Vehicle Scales

TABLE OF CONTENTS

LOAD RANGER	234
<i>Scale</i>	
LOAD RANGER	236
<i>Indicator</i>	

Load Ranger

Scale



RF-MD



RF-WD

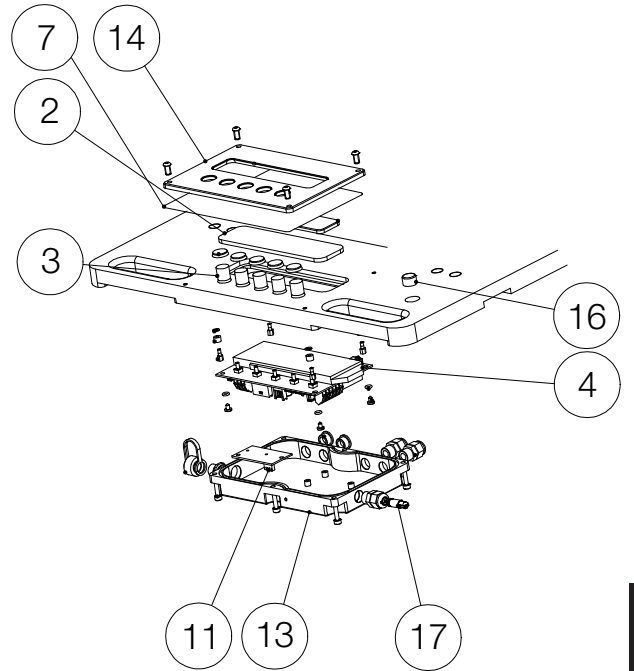
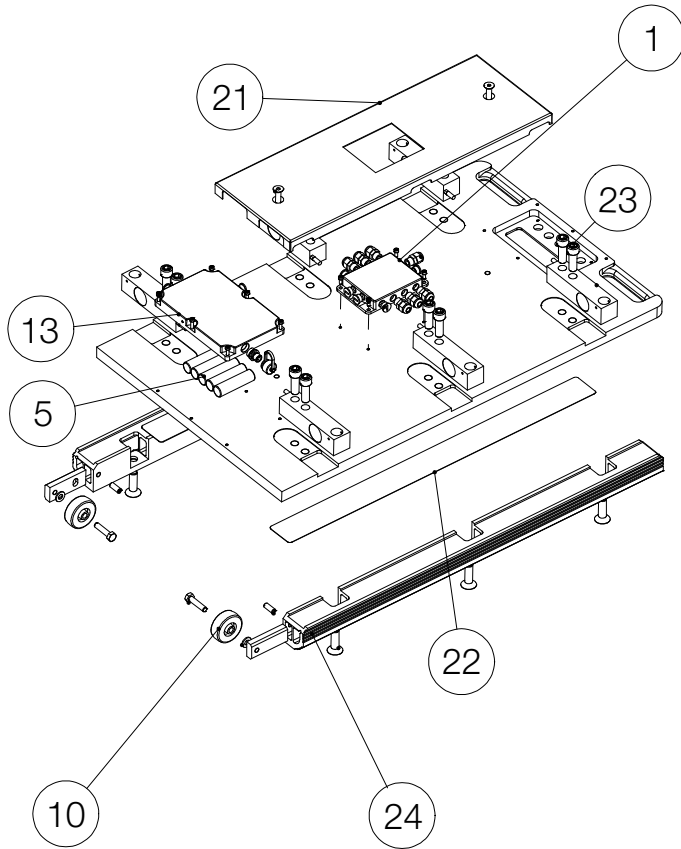


RF-XWD

Part Number/Price

Ref#	Part#	Description	Price
1	192596	Junction box enclosure	Consult
2	192607	Protective display glass	Consult
3	192608	Extension keys (kit x 5) for RF-XWD	Consult
3	192624	Extension keys (kit x 5) for RF-MD/RF-WD	Consult
4	192609	CPU board	Consult
5	188482	NIMH battery pack	Consult
7	192616	Adhesive film	Consult
10	192605	Wheel	Consult
11	192610	Bluetooth module	Consult
13	192614	Protection for board	Consult
14	192615	Protection for keys	Consult
16	192597	Bubble level	Consult
17	200815	Antenna	Consult
	200816	Cable to connect antenna to Bluetooth module	Consult
	188911	Battery charger (230VAC EU plug version)	Consult
	185064	110VAC version with US plug	Consult
	Consult	Load cell terminal strip	Consult
RF-MD			
21	192595	Protection plate	Consult
22	192600	Adhesive strip	Consult
	183796	1,000 kg load cell (used on 3,000 lb wheel pad only)	Consult
	183799	2,500 kg load cell (used on 6,500 lb, 13,000 lb, 22,000 lb, 33,000 lb wheel pads only)	Consult
23	192602	Load cell mounting hardware	Consult
24	192598	Ramp with gripping rubber	Consult
RF-WD			
21	192618	Protection plate	Consult
22	192601	Adhesive strip	Consult
	183799	2,500 kg load cell (used on 6,500 lb, 13,000 lb, 22,000 lb, 33,000 lb wheel pads only)	Consult
23	192603	Load cell mounting hardware	Consult
24	192599	Ramp with gripping rubber	Consult
RF-XWD			
21	192622	Protection plate	Consult
22	192625	Adhesive strip	Consult
	183799	2,500 kg load cell (used on 6,500 lb, 13,000 lb, 22,000 lb, 33,000 lb wheel pads only)	Consult
23	192604	Load cell mounting hardware	Consult
24	192621	Ramp with gripping rubber	Consult

Load Ranger Scale



PORTABLE VEHICLE SCALES

Load Ranger

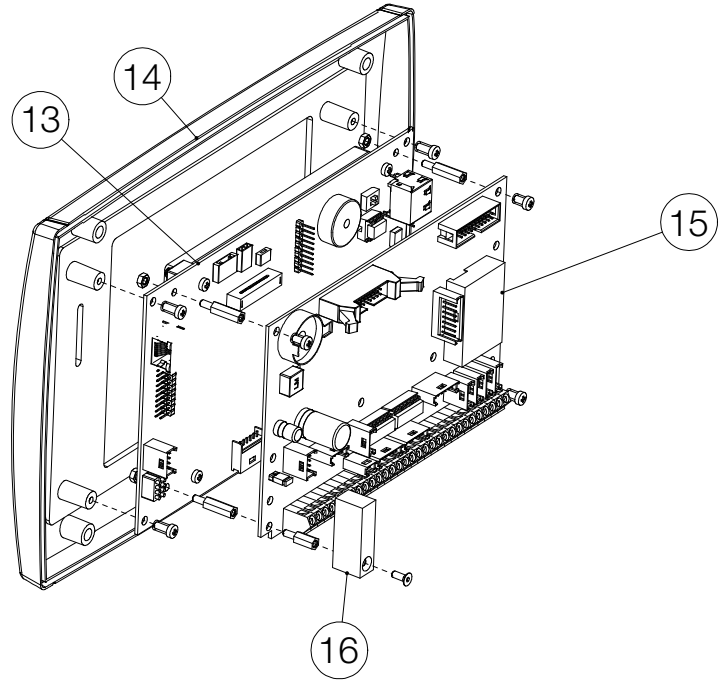
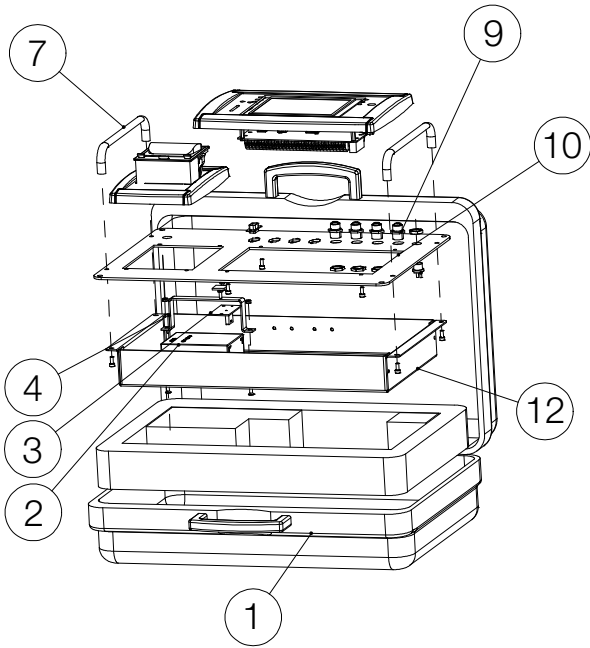
Indicator



Part Number/Price

Ref#	Part#	Description	Price
1	192584	Carry case	Consult
2	192580	Built-in battery, 6V, 4.5Ah	Consult
3	193554	Built-in bluetooth interface	Consult
9	193555	Bluetooth board connector cable	Consult
4	192588	Fixing bracket for battery	Consult
7	192582	Aluminum handle	Consult
10	192587	Front panel	Consult
12	192581	Galvanized case	Consult
13	192589	Display board	Consult
14	192590	Front panel	Consult
15	192585	CPU board	Consult
16	192586	Frame, jumper protection	Consult
NS	192591	AC Power Adapter 120-230 VAC	Consult

Load Ranger Indicator



Portable Vehicle Scales

