

## 920i® Programmable HMI Indicator/Controller

# Wall Mount Enclosure Installation Instructions

PN 69763, 69765, 69770, 69776, 72133, 72134

This document contains drawings, replacement parts lists, and instructions for installing wall mount models of 920i indicators. See the *920i Installation Manual*, PN 67887, for general installation and configuration and calibration information.

Figure 1 shows the outside dimensions of the wall mount enclosure.



### WARNING

The 920i has no on/off switch. Before opening the unit, ensure the power cord is disconnected from the power outlet.



### CAUTION

Use a wrist strap to ground yourself and protect components from electrostatic discharge (ESD) when working inside the indicator enclosure.

This unit uses double pole/neutral fusing which could create an electric shock hazard. Procedures requiring work inside the indicator must be performed by qualified service personnel only.

The supply cord serves as the power disconnect for the 920i. The power outlet supplying the indicator must be installed near the unit and be easily accessible.

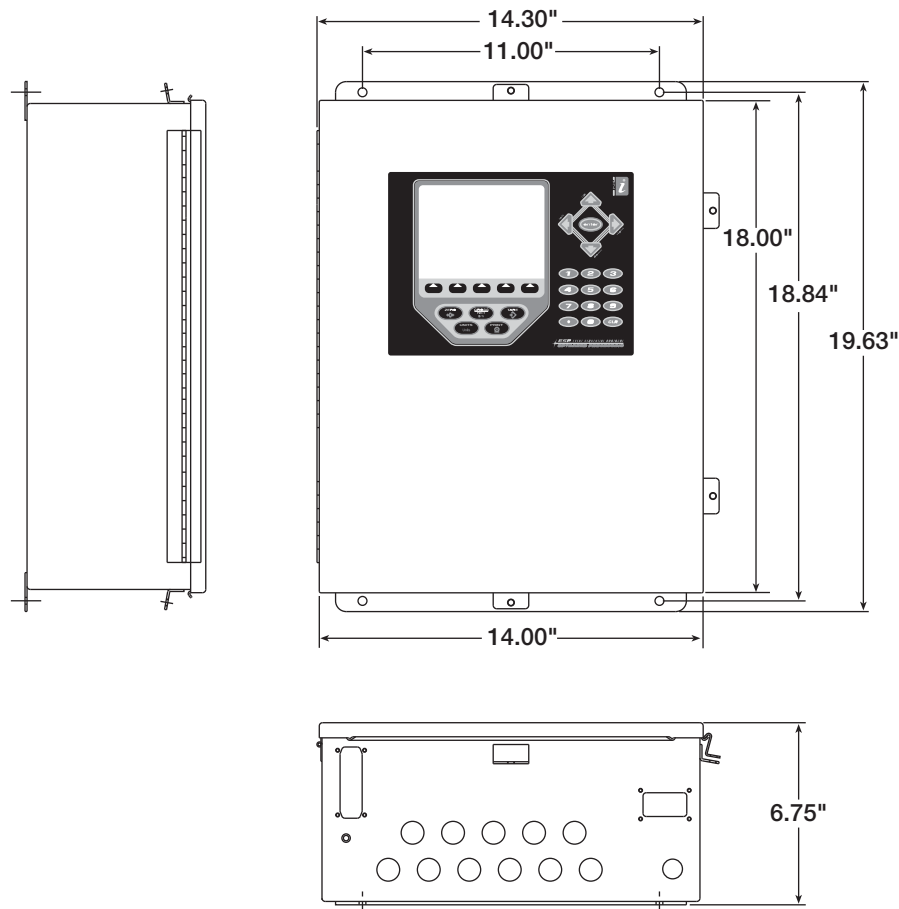


Figure 1. Wall Mount Enclosure Dimensions

Wall mount models of the 920i provide eleven cord grips for cabling into the indicator. The parts kit includes cord grip plugs to prevent moisture from entering the enclosure. Install these plugs into all cord grips that will be not be used in your application. Use the cable grounding instructions below for wiring into the indicator.

## 1.1 Cable Grounding

Cables routed through the cord grips should be grounded against the indicator enclosure. Do the following to ground shielded cables:

- Use the lockwashers, clamps, and kee nuts provided in the parts kit to install grounding clamps on the enclosure studs adjacent to cord grips. Install grounding clamps only for cord grips that will be used; do not tighten nuts.
- Route cables through cord grips and grounding clamps to determine cable lengths required to reach cable connectors. Mark cables to remove insulation and shield as described below:
  - For cables with foil shielding, strip insulation and foil from the cable 1/2 in (15 mm) past the grounding clamp (see Figure 2). Fold the foil shield back on the cable where the cable passes through the clamp. Ensure silver (conductive) side of foil is turned outward for contact with the grounding clamp.
  - For cables with braided shielding, strip cable insulation and braided shield from a point just past the grounding clamp. Strip another 1/2 in (15 mm) of insulation *only* to expose the braid where the cable passes through the clamp.

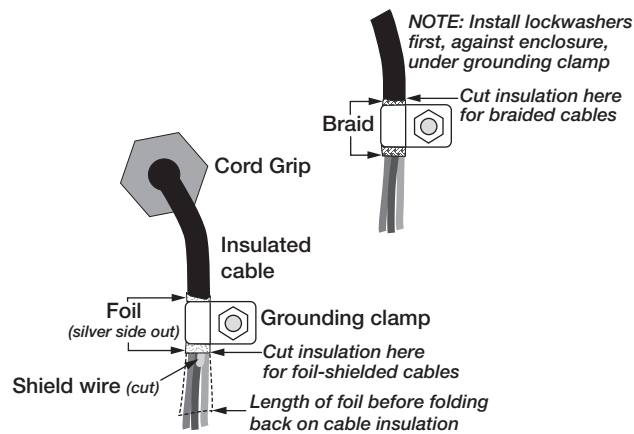


Figure 2. Grounding Clamp Attachment for Foil-Shielded and Braided Cabling

- For load cell cables, cut the shield wire just past the grounding clamp. Shield wire function is provided by contact between the cable shield and the grounding clamp.
- Route stripped cables through cord grips and clamps. Ensure shields contact grounding clamps as shown in Figure 2. Tighten grounding clamp nuts.
- Finish installation using cable ties to secure cables inside of indicator enclosure.

## 2.2 Power Specifications

Line Voltages 115 or 230 VAC

Frequency 50 or 60 Hz

Maximum Power Consumption, 65W on secondary

Primary power consumption:100W TRMS

Constant current: 1.5 A TRMS (115VAC);

1.0 A TRMS (230VAC)

Fusing

115 VAC and 230 VAC North American

2 x 3.15A TR5 sub-miniature fuses

Wickmann Time-Lag 19374 Series

UL Listed, CSA Certified and Approved

230 VAC European

2 x 3.15A TR5 sub-miniature fuses

Wickmann Time-Lag 19372 Series

UL Recognized, Semko and VDE Approved

See the *920i Installation Manual*, PN 67887, for additional specifications.

## 2.3 Parts Kit Contents

Table 1 lists the parts kit contents for wall mount models of the *920i*.

PN	Description
14626	Kep nuts, 8-32NC (6)
15133	Lock washers, No. 8, Type A (6)
15631	Cable ties (4–single A/D, 6–dual A/D)
15665	Reducing glands for 1/2 NPT cord grips (11)
15887	6-position screw terminal for load cell connection (1–single A/D, 2–dual A/D)
19538	Cord grip plugs (10–single A/D, 9–dual A/D)
42350	Capacity label (1–single A/D, 2–dual A/D)
53075	Cable shield ground clamps (6)
70599	6-position screw terminals for J2 and J10 (2)
71125	3-position screw terminal for J11 (1)
71126	4-position screw terminal for J9 and optional keyboard connection (2)

*Table 1. Parts Kit Contents*

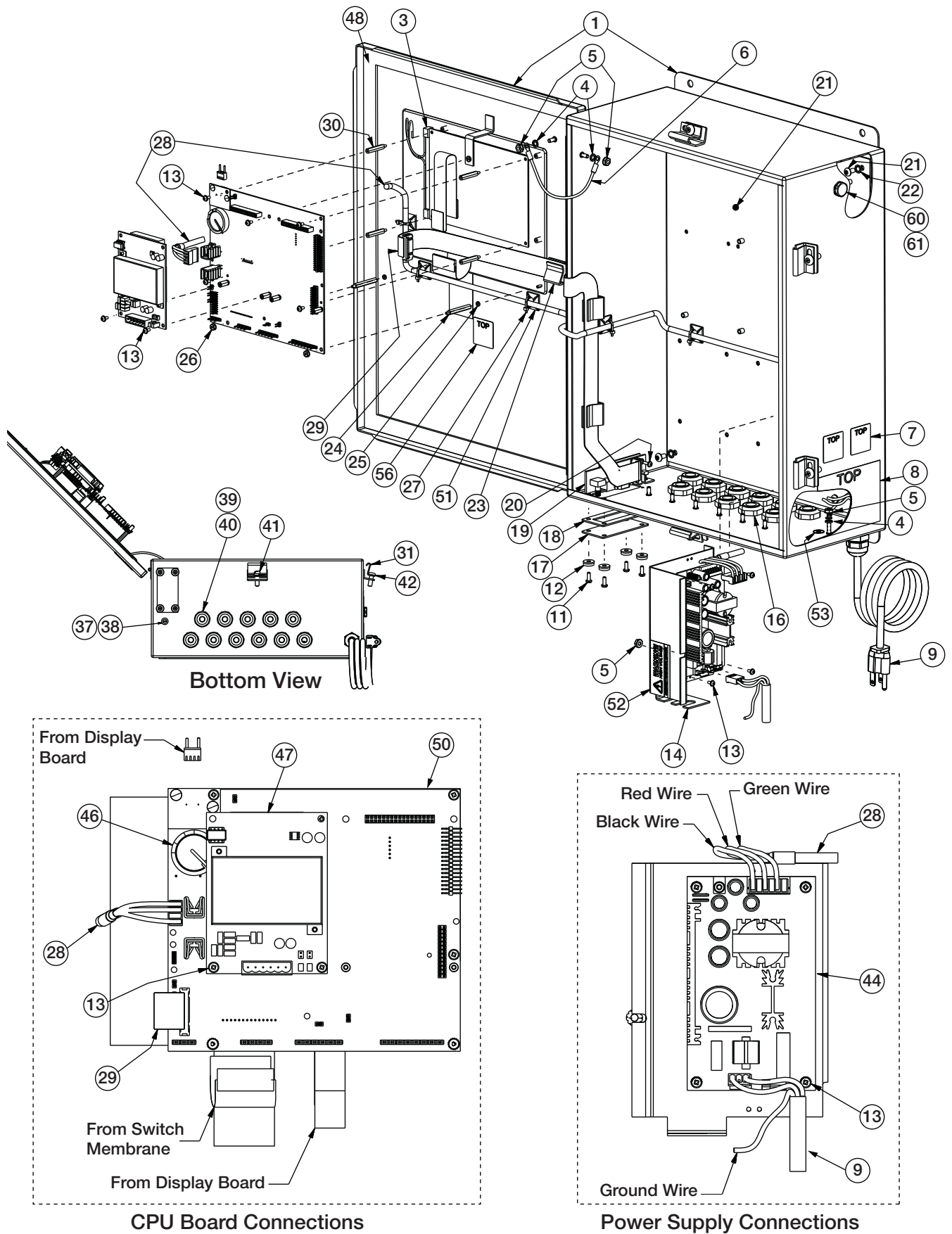


Figure 3. Wall Mount Enclosure

### 3.4 Replacement Parts and Assembly Drawings

Item No.	Part No.	Description	Qty
1	68902	Enclosure, wallmount	1
3	67614	LCD display	1
4	15134	Lock washers, No. 8, Type A	3
5	14626	Kep nuts, 8-32NC*	3
6	15601	Ground wire, 6 in w/ No. 8 eye connector	1
7	53308	Model/serial number label	1
8	53307	Label 1.25x1.25	1
9	85202	Power Cord Assembly, 120 VAC	1
11	14845	Machine screws, 6-32NC x 3/8 phillips	8
12	45042	Sealing washers	8
13	14822	Machine screws, 4-40NC x 1/4	11
14	69538	Power supply bracket	1
16	15630	Lock nuts for 1/2 NPT cord grips	11
17	67530	Interface board connector plate	1
18	67535	Interface board gasket	1
19	67869	Interface board	1
20	55708	Machine Screws, 4-40NC x 3/8 phillips	2
21	14875	Machine screws, 10-32NF x 3/8 phillips	4
22	15140	Lock washers, No. 10 Type A	4
23	46192	Ribbon cable clamps	3
24	68661	Standoffs, long	2
26	14618	Kep nuts, 4-40NC	2
27	15631	Cable tie, 3-in nylon*	6
28	71431	Power supply cable assembly, to CPU board	1
29	71436	Ribbon cable to interface board	1
30	67886	Standoffs, short	4
31	71739	Clinching Enclosure Clip	1
37	42640	Machine Screw 1/4 - 28NF x 1	1
38	59250	Sealing washer for setup switch access screw	1
39	30376	Nylon seal rings for 1/2 NPT cord grips	11
40	15628	Cord grips, 1/2 NPT	11
41	71455	Machine Screw 1/4 - 28NFx .75	1
42	71447	Machine screws, 1/4-28NF x 3/4 phillips	3
44	71333	Power supply, ±6VDC, 65W	1
45	68216	Rice Lake Nameplate	1
46	69290	3V Lithium coin battery	1
47	67610	Single-channel A/D card	1
48	68724	Cover gasket	1
49	66502	Membrane Switch Overlay	1
50	109549	CPU 920i plus Board Assembly	1
51	15650	Cable tie mounts, 3/4 in	6
52	16861	High voltage warning label	1

Table 4. Replacement Parts

Item No.	Part No.	Description	Qty
53	16892	Ground/Earth label	1
55	68903	Back panel	1
	69898	Nylon Washer .112	2
56	67491	Sticker, Inspected By/Tested By for Indicators	1
60	88733	Breather Sealed Vent	1
61	88734	Breather Vent Nut	1

\* Additional parts included in parts kit.


 **CAUTION** To protect against the risk of fire, replace fuses only with same type and rating fuse.

Table 4. Replacement Parts (Continued)



© Rice Lake Weighing Systems Specifications subject to change without notice.  
Rice Lake Weighing Systems is an ISO 9001 registered company.

230 W. Coleman St. • Rice Lake, WI 54868 • USA  
U.S. 800-472-6703 • Canada/Mexico 800-321-6703 • International 715-234-9171 • Europe +31 (0)26 472 1319

**[www.ricelake.com](http://www.ricelake.com) [www.ricelake.mx](http://www.ricelake.mx) [www.ricelake.eu](http://www.ricelake.eu) [www.ricelake.co.in](http://www.ricelake.co.in) [m.ricelake.com](http://m.ricelake.com)**