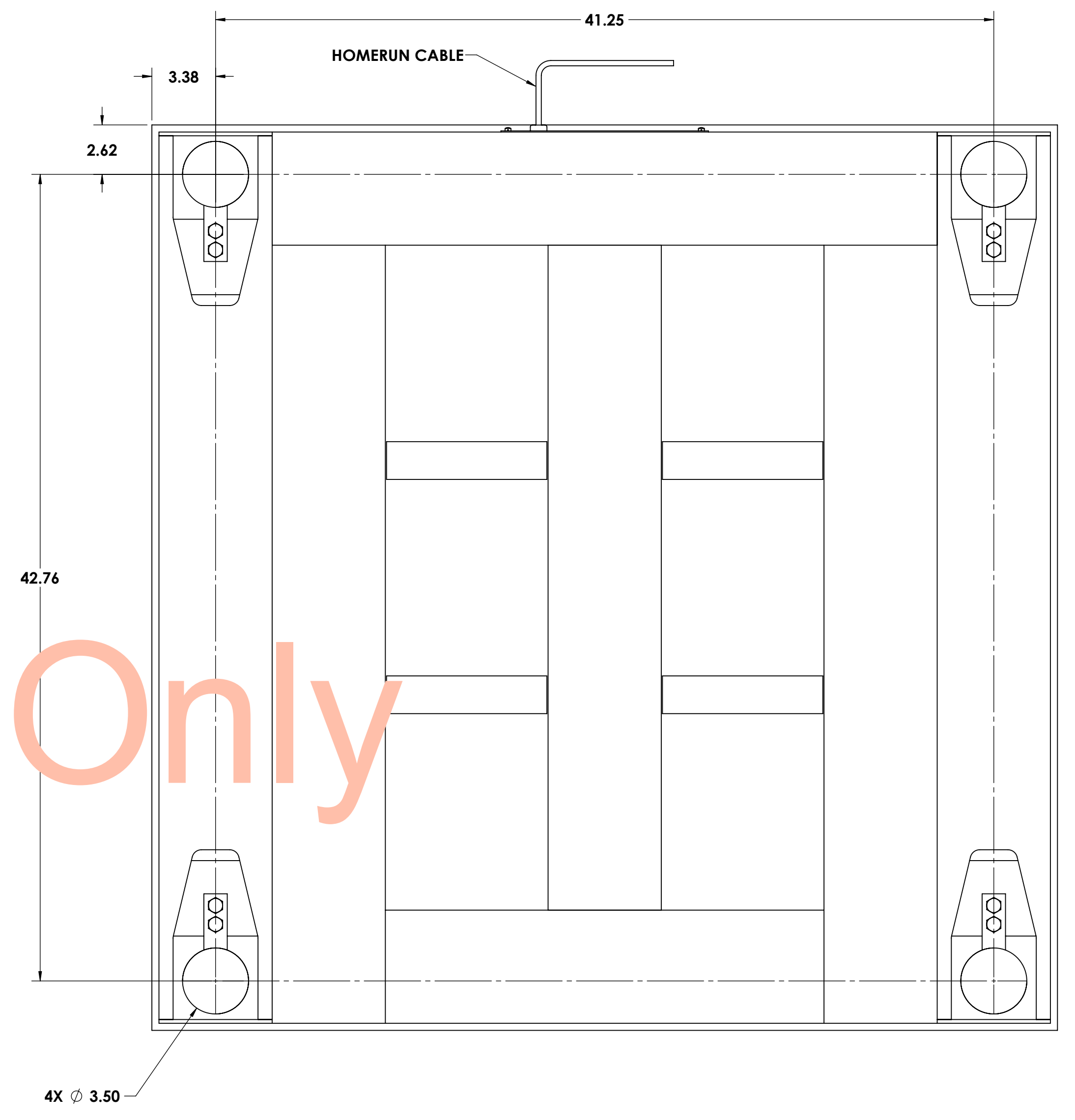
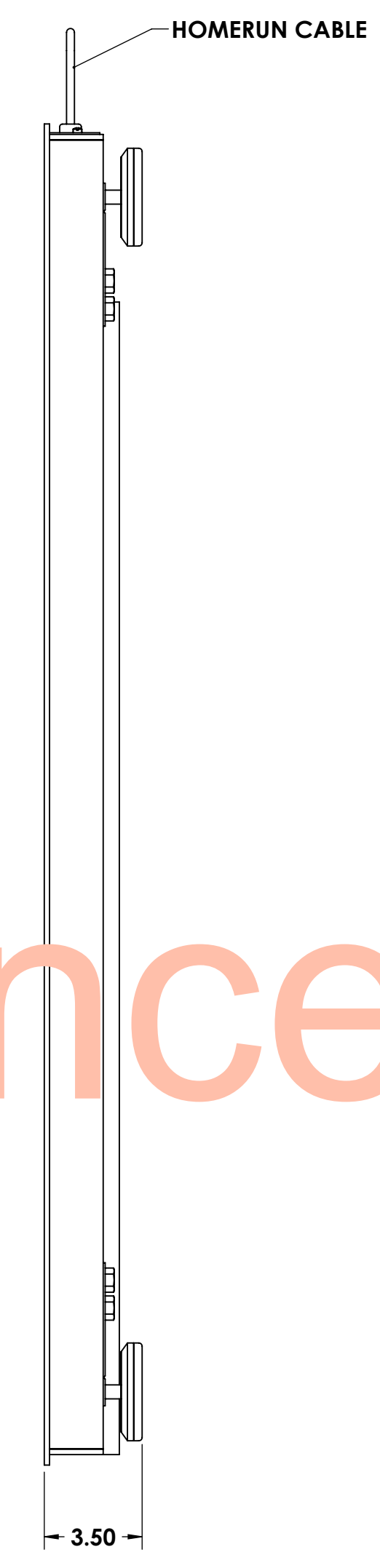
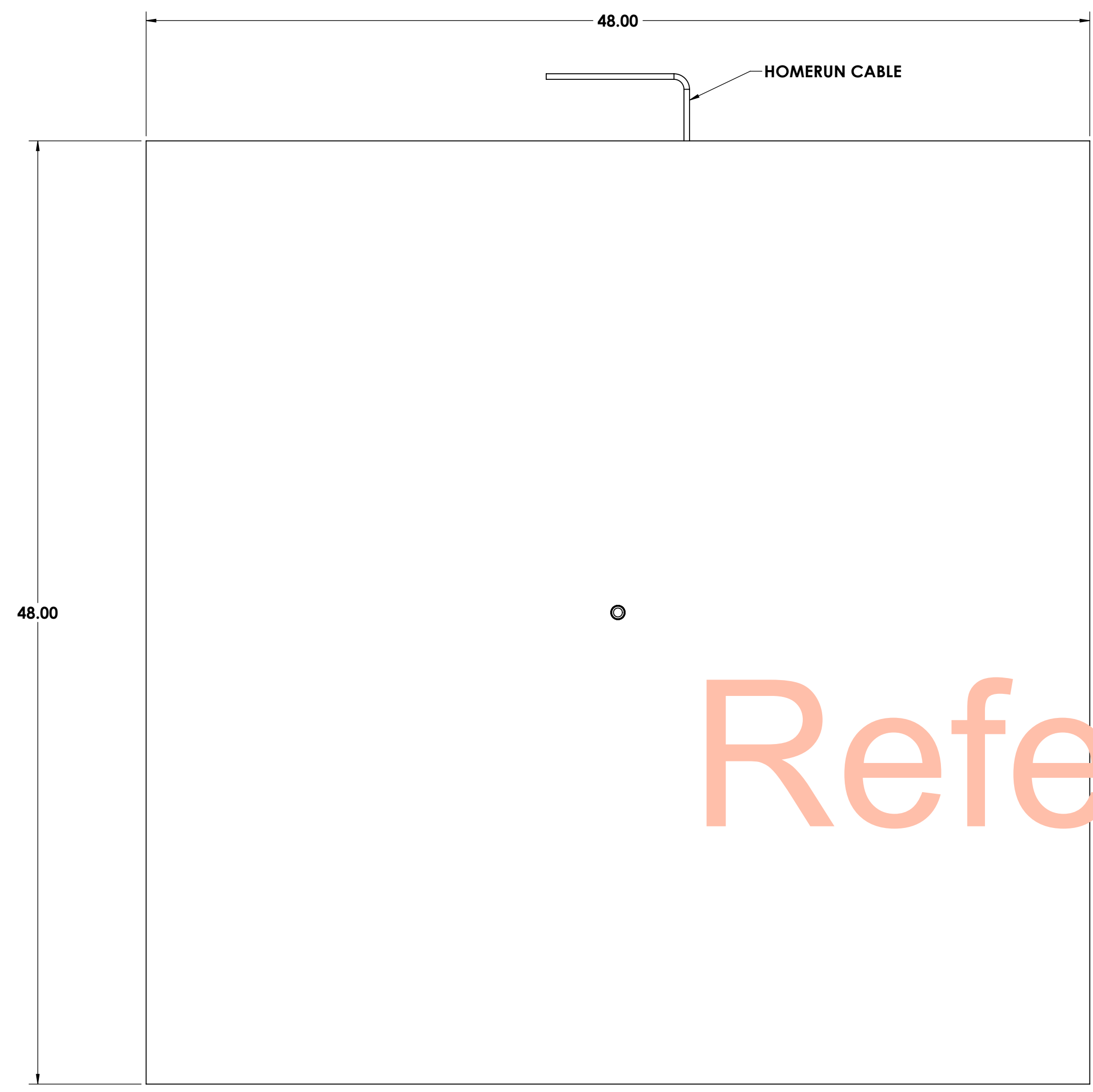
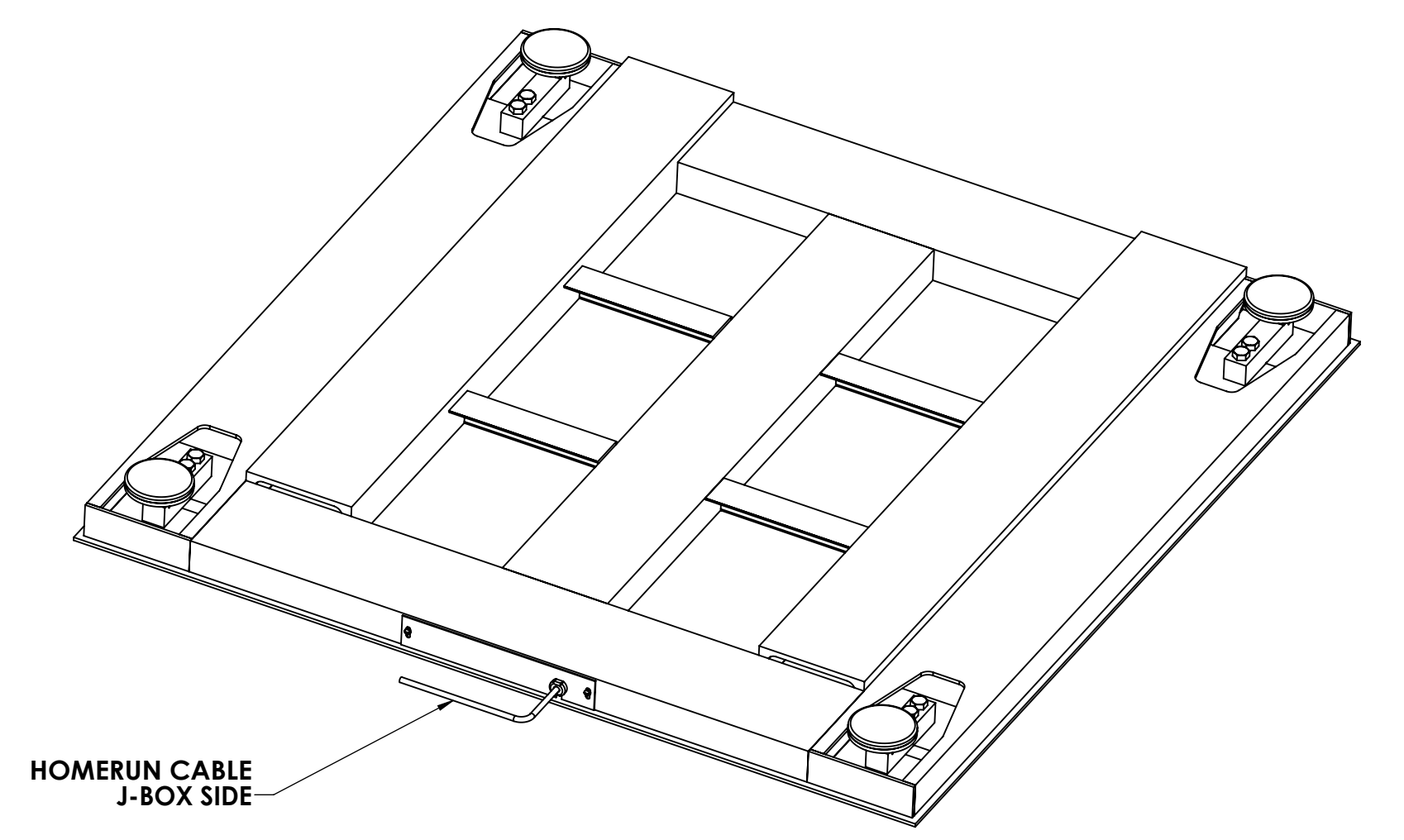
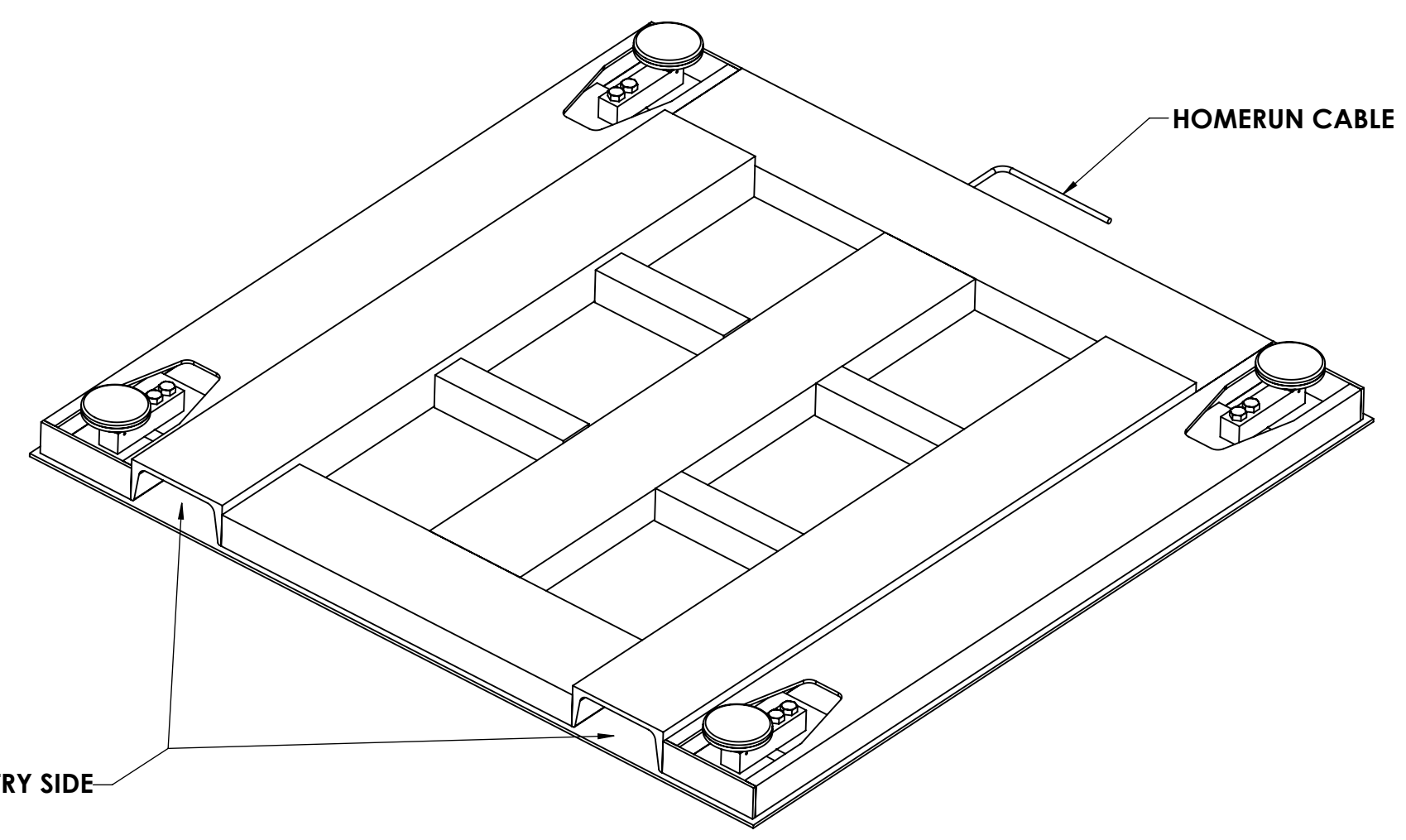
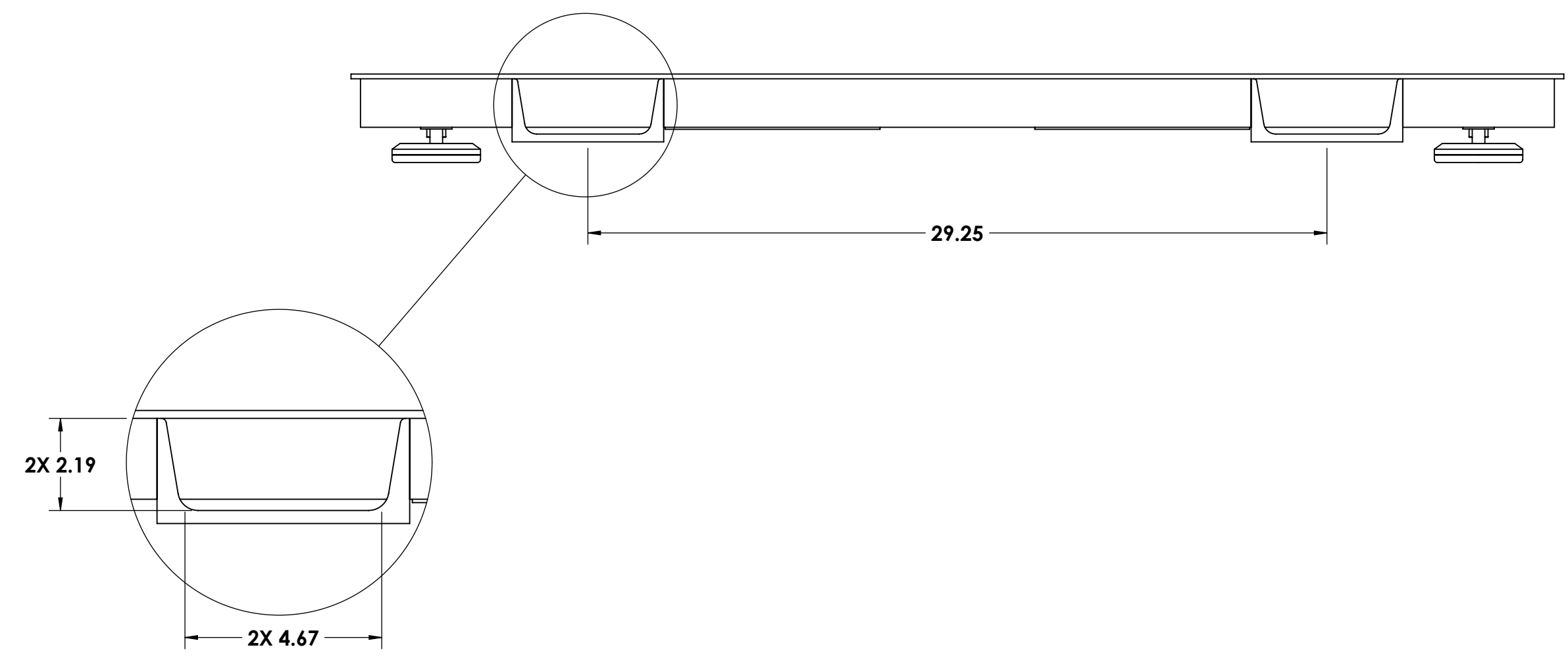


REVISION		INIT	DATE
REV	ECO	DESCRIPTION	
A	REVISED DWG IN SW/EPDM	DKR 03/26/2020



Reference Only



ENG. NOTE: SEE SOLIDWORKS SZ10992_WEBSITE.SLDASM FOR REVISIONS IF REQUIRED.

TREATMENT	...	THIS DRAWING AND INFORMATION CONTAINED HEREIN IS AND REMAINS THE PROPERTY OF RICE LAKE WEIGHING SYSTEMS INC. - HEREINAFTER REFERRED TO AS RLWS. IT MAY BE USED ONLY FOR RLWS' PROPOSAL AND/OR ITS CUSTOMER'S ORDERS. IT SHALL NOT BE DISCLOSED OR COPIED WITHOUT RLWS' SPECIFIC WRITTEN CONSENT AND SHALL BE IMMEDIATELY RETURNED UPON REQUEST.	UNLESS OTHERWISE SPECIFIED UNITS TO BE INCHES ALL THREADS TO BE CLASS 2 AFTER TREATMENT	RICE LAKE WEIGHING SYSTEMS
DESCRIPTION	ROUGHDECK HP, 4 X 4 W/FORKLIFT CHANNELS			
NUMBER OF CRANES	...	DO NOT SCALE DRAWING	DRAWING TOLERANCES UNLESS OTHERWISE SPECIFIED	SCALE 1:5
MINIMUM CRANE CAPACITY	...	SURFACE FINISH	.XX: ±... .XXX: ±... ANGLE: ±...°	SHEET 1 OF 1
ESTIMATED WEIGHT (POUNDS)	...	THIRD ANGLE PROJECTION		MATERIAL SEE BOM
				SZ10992 REV A