



LOCK

135.2

LB



On/Off



Print
LB/KG



Zero

Healthweigh®

RICE LAKE



Hold
Release



CLEAR



BMI



ENTER

PHYSICIAN SCALES
DIGITAL AND MECHANICAL



EYE-LEVEL

150-10-5

DIGITAL PHYSICIAN SCALE

The Rice Lake 150-10-5 digital physician scale has an eye-level digital display to provide a clear weight reading. With a height bar integrated into the scale column, healthcare professionals can quickly capture both height and weight information. Built-in wheels make the 150-10-5 easy to transport and the choice between using an AC adapter or batteries means this physician scale can be used nearly anywhere in a healthcare facility.

FEATURES

- Large, stable scale base
- Integrated height rod
- Non-slip rubber mat, removable for cleaning
- Rubber wheels for easy transport
- Push-button LCD display
- Unit of measure toggle or locking
- Motiontrap™ movement compensation technology
- EMR capable
- Serial and USB data communication ports
- Bluetooth® BLE 4.0 available, part number selectable
- Hold function
- Zero function
- BMI (body mass index) function
- Factory calibrated

SPECIFICATIONS

Capacity:

550 × 0.2 lb (250 × 0.1 kg)

Platform Dimensions:

(L × W × H)
14.5 × 14.5 × 3 in

Height Rod:

Measures from 27.50 to 82.00 in
(70 to 208 cm)

Power:

9 VDC, provided by six AA alkaline batteries (included) or AC adapter (optional)

Battery Type:

Six AA alkaline (included)

Battery Use:

25 hours continuous use with batteries
Automatic power-off can be configured

Operating Temperature:

50 °F to 104 °F (10 °C to 40 °C)

Display:

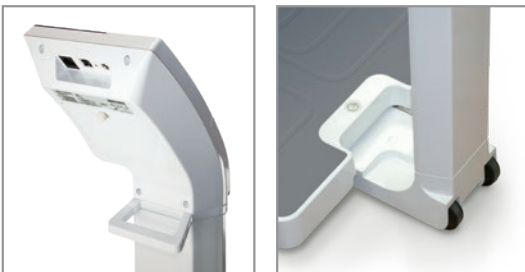
5-digit LCD display, 0.75 in (1.9 cm) digit height

Approvals:

c-Met, E113986

Warranty:

Two-year limited





DIGITAL PHYSICIAN SCALE - EYE-LEVEL

MODEL	CAPACITY	COMMUNICATION	PART #
150-10-5	550 × 0.2lb (250 × 0.1 kg)	USB	119113
150-10-5BLE	550 × 0.2lb (250 × 0.1 kg)	Bluetooth® BLE 4.0	194726

OPTIONS

DESCRIPTION	PART #
9 VDC adaptor, 120 V/230 V auto switching c-MET* <i>Medical grade power supply</i>	115655
9 VDC adaptor, 120 V/230 V auto switching*	133077
9 VDC adaptor, 230 V**	102508
Epson TM-U220 tape printer	81076
Cable, RS232 scale to printer, 6 ft, 25-pin D-Sub (male) to RJ45	186830
Cable, USB 6 ft USB-A (male) to USB-B (male)	79074
Cable, Communication DB9 (female) to RJ45 (male), 4 conductor	217091

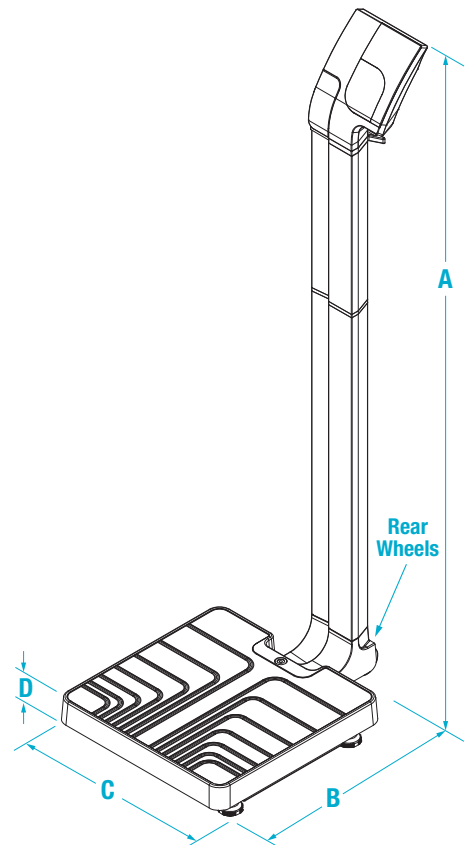
*NEMA 1-15 Plug  **CEE 7/16 Plug 

SHIPPING WEIGHT

MODEL #	PART #	L (IN)	W (IN)	H (IN)	PACKAGE WGT. (LB)	DIM WGT. (LB)	SHIPPING WGT. (LB)
150-10-5	119113	30	18	9	26	35	35
150-10-5BLE	194726	30	18	9	26	35	35

DIMENSIONS

	INCHES	CENTIMETERS		INCHES	CENTIMETERS
A	54.0	137.2	C	14.7	37.5
B	22.4	57.0	D	3.0	7.6





WAIST-LEVEL

150-10-6

DIGITAL PHYSICIAN SCALE

The Rice Lake 150-10-6 digital physician scale is designed with a modern appearance and features a waist-level digital display at just over four feet for ease of use. The large, stable scale base is both comfortable and easily transported with two built-in rubber wheels. The 150-10-6 can be powered from an optional AC adapter or standard alkaline batteries. Its large push-button display lights up for simple viewing and an audible beep sounds at the end of each weigh cycle.

PG
6

FEATURES

- Large, stable scale base
- Rubber wheels for easy transport
- Non-slip rubber mat, removable for cleaning
- Push-button LCD display
- Unit of measure toggle or locking
- Motiontrap™ movement compensation technology
- EMR capable
- Serial and USB data communication ports
- Bluetooth® BLE 4.0 available, part number selectable
- Hold function
- Zero function
- BMI (body mass index) function
- Factory calibrated

SPECIFICATIONS

Capacity:

550 × 0.2 lb (250 × 0.1 kg)

Platform Dimensions:

(L × W × H)

14.5 × 14.5 × 3 in

Power:

9 VDC, provided by six AA alkaline batteries (included) or AC adapter (optional)

Battery Type:

Six AA alkaline (included)

Battery Use:

25 hours continuous use with batteries
Automatic power-off can be configured

Operating Temperature:

50 °F to 104 °F (10 °C to 40 °C)

Display:

5-digit LCD display, 0.75 in (1.9 cm) digit height

Approvals:

c-Met, E113986

Warranty:

Two-year limited



DIGITAL PHYSICIAN SCALE - WAIST-LEVEL

MODEL	CAPACITY	COMMUNICATION	PART #
150-10-6	550 × 0.2lb (250 × 0.1 kg)	USB	161786
150-10-6BLE	550 × 0.2lb (250 × 0.1 kg)	Bluetooth® BLE 4.0	194732

OPTIONS

DESCRIPTION	PART #
9 VDC adapter, 120 V/230 V auto switching c-MET* Medical grade power supply	115655
9 VDC adapter, 120 V/230 V auto switching*	133077
9 VDC adapter, 230 V**	102508
Epson TM-U220 tape printer	81076
Cable, RS232 scale to printer, 6 ft, 25-pin D-Sub (male) to RJ45	186830
Cable, USB 6 ft USB-A (male) to USB-B (male)	79074
Cable, Communication DB9 (female) to RJ45 (male), 4 conductor	217091

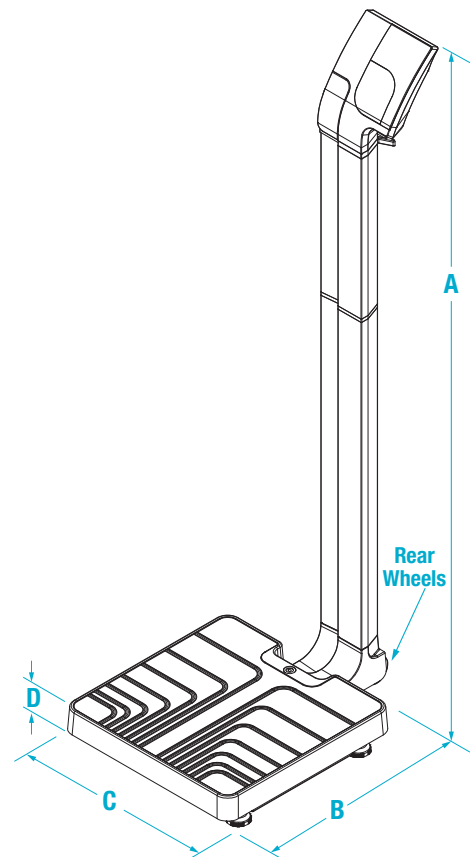
*NEMA 1-15 Plug  **CEE 7/16 Plug 

SHIPPING WEIGHT

MODEL #	PART #	L (IN)	W (IN)	H (IN)	PACKAGE WGT. (LB)	DIM WGT. (LB)	SHIPPING WGT. (LB)
150-10-6	161786	30	19	9	25	37	37
150-10-6BLE	194732	30	19	9	25	37	37

DIMENSIONS

	INCHES	CENTIMETERS		INCHES	CENTIMETERS
A	48.4	123.0	C	14.7	37.5
B	22.4	57.0	D	3.0	7.6



FLOOR-LEVEL

150-10-7

DIGITAL PHYSICIAN SCALE

The Rice Lake 150-10-7 digital physician scale provides precision weight measurements up to 550 pounds. The large, stable scale base is both comfortable and easily transported with an optional carrying case. Whether powered from an optional AC adapter or standard alkaline batteries, the 150-10-7 is easy to use. Its large push-button display lights up for easy viewing and an audible beep sounds at the end of each weigh cycle.

FEATURES

- Large, stable scale base
- Push-button LCD display
- Non-slip rubber mat, removable for cleaning
- Unit of measure toggle or locking
- Motiontrap™ movement compensation technology
- EMR capable
- Serial and USB data communication ports
- Bluetooth® BLE 4.0 available, part number selectable
- Hold function
- Zero function
- BMI (body mass index) function
- Factory calibrated

SPECIFICATIONS

Capacity:
550 × 0.2 lb (250 × 0.1 kg)

Platform Dimensions:
(L × W × H)
14.5 × 14.5 × 3 in

Power:
9 VDC, provided by six AA alkaline batteries (included) or AC adapter (optional)

Operating Temperature:
50 °F to 104 °F (10 °C to 40 °C)

Battery Type:
Six AA alkaline (included)

Battery Use:
25 hours continuous use with batteries
Automatic power-off can be configured

Cable Length:
6 ft (1.8 m) cable between scale base and indicator

Display:
5-digit LCD display, 0.75 in (1.9 cm) digit height

Approvals:
c-Met, E113986

Warranty:
Two-year limited





DIGITAL PHYSICIAN SCALE - FLOOR-LEVEL

MODEL	CAPACITY	COMMUNICATION	PART #
150-10-7	550 × 0.2lb (250 × 0.1 kg)	USB	121304
150-10-7BLE	550 × 0.2lb (250 × 0.1 kg)	Bluetooth® BLE 4.0	194728

OPTIONS

DESCRIPTION	PART #
Carrying case	107445
9 VDC adapter, 120 V/230 V auto switching c-MET* <i>Medical grade power supply</i>	115655
9 VDC adapter, 120 V/230 V auto switching*	133077
9 VDC adapter, 230 V**	102508
Epson TM-U220 tape printer	81076
Cable, RS232 scale to printer, 6 ft, 25-pin D-Sub (male) to RJ45	186830
Cable, USB 6 ft USB-A (male) to USB-B (male)	79074
Cable, Communication DB9 (female) to RJ45 (male), 4 conductor	217091

*NEMA 1-15 Plug  **CEE 7/16 Plug 

SHIPPING WEIGHT

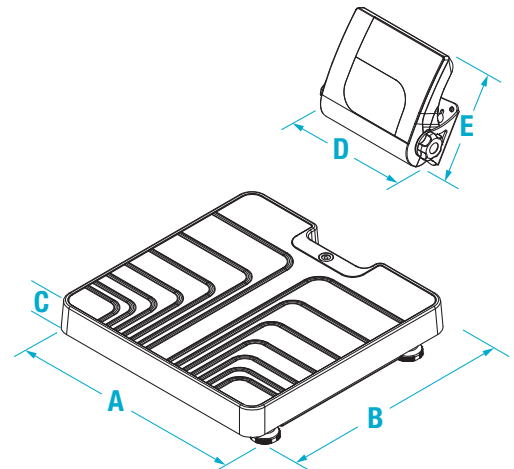
MODEL #	PART #	L (IN)	W (IN)	H (IN)	PACKAGE WGT. (LB)	DIM WGT. (LB)	SHIPPING WGT. (LB)
150-10-7	121304	25	18	6	17	20	20
150-10-7BLE	194728	25	18	6	17	20	20

DIMENSIONS

	INCHES	CENTIMETERS	INCHES	CENTIMETERS
A	14.7	37.5	D	7.8
B	14.7	37.5	E	6.7
C	3.0	7.6		



Carrying case



160-10-7N

DIGITAL ATHLETIC SCALE

LOW-PROFILE

Rice Lake's 160-10-7N low-profile digital athletic scale offers superior accuracy and built-in durability for repetitive use in settings where a Legal for Trade scale is needed. It is slip-resistant, demands little space and is exceptionally portable. The 160-10-7N low-profile scale features a very low, 1.65-inch rise.



Actual height of low profile (1.65 inches)

FEATURES

- Large, stable scale base
- Push-button LCD display
- Unit of measure toggle or locking
- Motiontrap™ movement compensation technology
- EMR capable
- Zero function
- Factory calibrated

SPECIFICATIONS



Capacity:
550 × 0.2 lb (250 × 0.1 kg)

Platform Dimensions:
(L × W × H)
14.40 × 14.40 × 1.65 in

Power:
9 VDC, provided by six AA alkaline batteries (included) or 120V/230V AC adapter, NEMA 1-15 plug (included)

Battery Type:
Six AA alkaline (included)

Battery Use:
25 hours continuous use with batteries
Automatic power-off can be configured

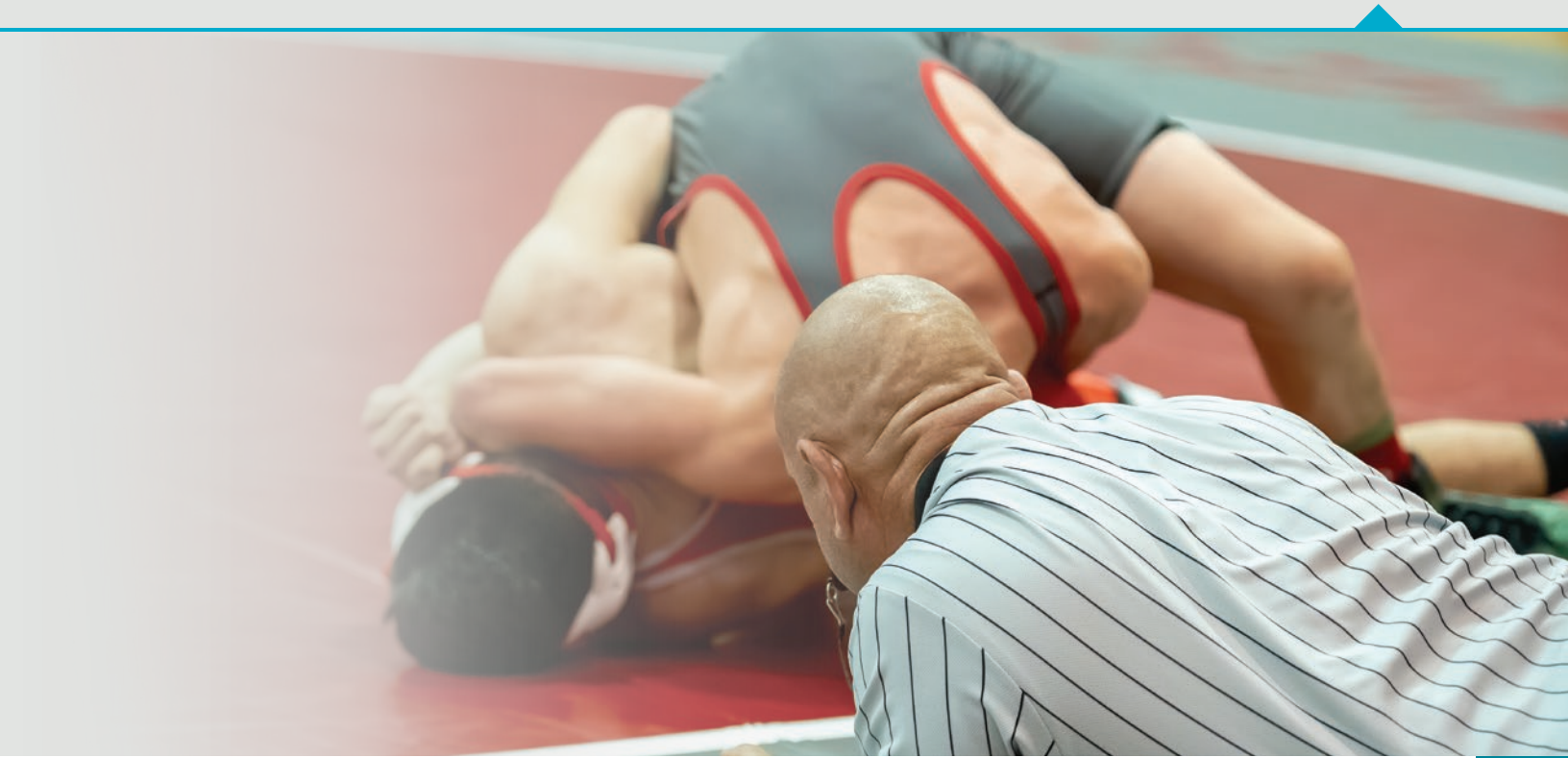
Operating Temperature:
50 °F to 104 °F (10 °C to 40 °C)

Cable Length:
6 ft (1.8 m) cable between scale base and indicator

Display:
5-digit LCD display, 0.75 in (1.9 cm) digit height

Approvals:
NTEP CC 18-011
Measurement Canada AM-6097
c-Met, E113986

Warranty:
Two-year limited



DIGITAL PHYSICIAN SCALE - LOW-PROFILE

MODEL	CAPACITY	COMMUNICATION	PART #
160-10-7N	550 x 0.2lb (250 x 0.1 kg)	USB	193355

OPTIONS

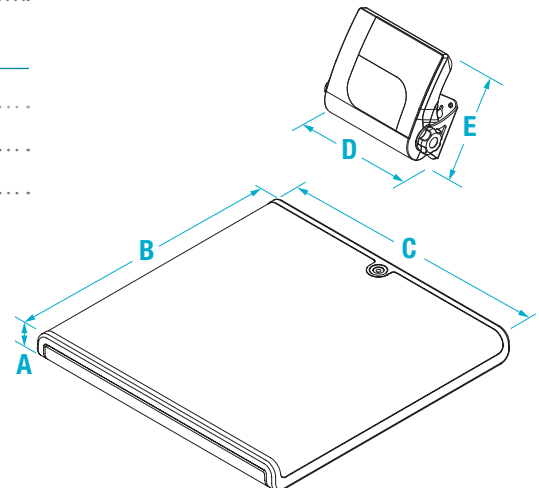
DESCRIPTION	PART #
Carrying case	107445
Epson TM-U220 tape printer	81076
Cable, RS232 scale to printer, 6 ft, 25-pin D-Sub (male) to RJ45	186830

SHIPPING WEIGHT

MODEL #	PART #	L (IN)	W (IN)	H (IN)	PACKAGE WGT. (LB)	DIM WGT. (LB)	SHIPPING WGT. (LB)
160-10-7N	193355	20	18	6	18	16	18

DIMENSIONS

	INCHES	CENTIMETERS		INCHES	CENTIMETERS
A	1.7	4.3	D	7.8	20.0
B	14.4	36.6	E	6.7	17.0
C	14.4	36.6			



LB & KG

RL-MPS

MECHANICAL PHYSICIAN SCALE

The RL-MPS mechanical physician scale features a painted beam for weighing up to 440 pounds (200 kilograms). For added convenience, weight readings can be taken from either the front or back of the scale. Its base is designed with a removable, slip-resistant base cover for easy cleaning, and can be easily transported with two built-in durable wheels.



PG
12

FEATURES

- Sturdy, enameled steel body
- Painted beam
- Rugged scale understructure
- Durable wheels for easy transport
- Easy operation with two sliding weights
- Removable slip-resistant scale base cover
- Aluminum height rod

SPECIFICATIONS

Capacity:
440 lb × 4 oz (200 kg × 100 g)

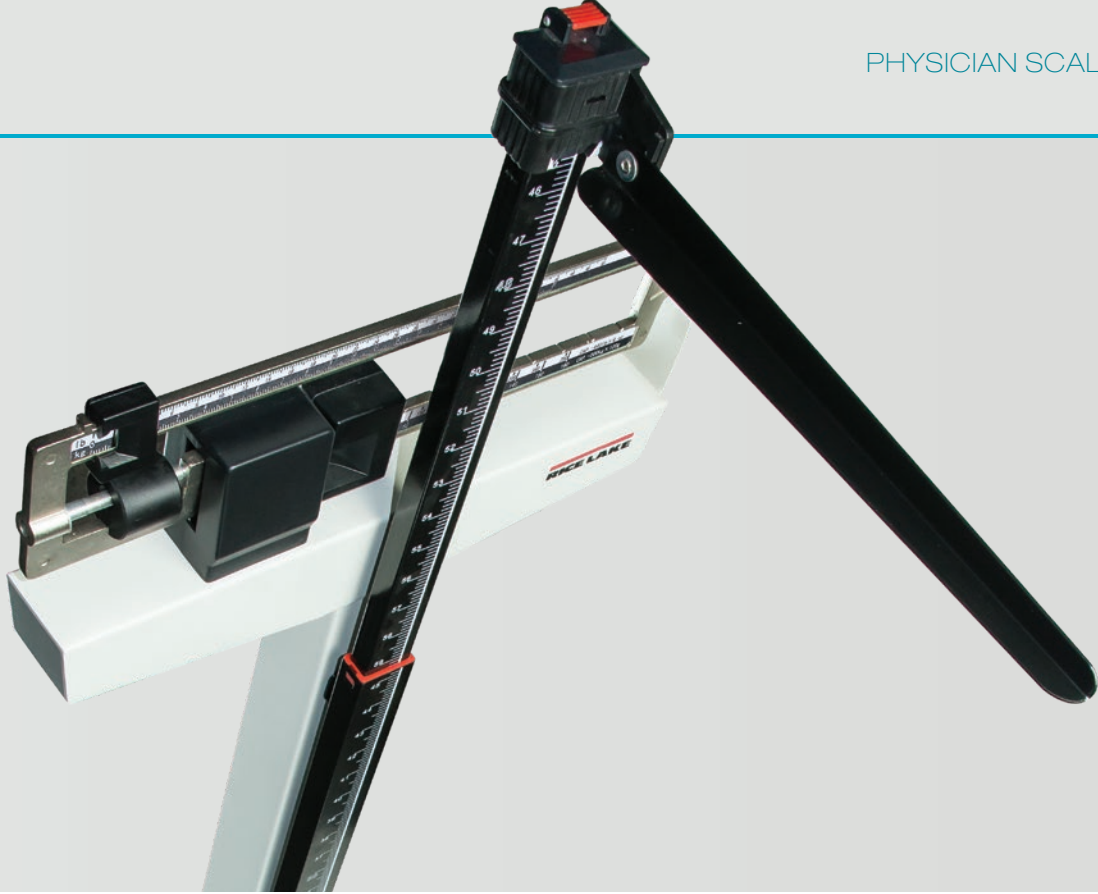
Platform Dimensions:
(L × W × H)
14.75 × 10.75 × 4.13 in

Height Rod:
Measures 24 to 84 in
(60 to 212 cm)

Height Division:
0.125 in (0.1 cm)

Warranty:
Two-year limited





MECHANICAL PHYSICIAN SCALE - LB AND KG

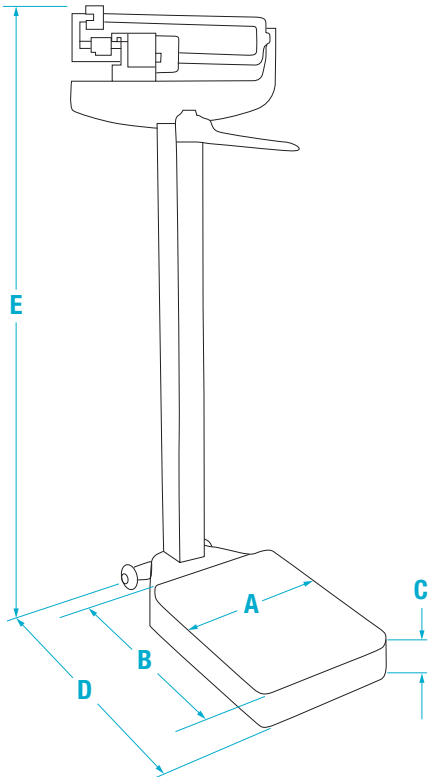
MODEL	CAPACITY	PART #
RL-MPS	440lb x 4 oz (200kg x 100g)	102613

SHIPPING WEIGHT

MODEL #	PART #	L (IN)	W (IN)	H (IN)	PACKAGE WGT. (LB)	DIM WGT. (LB)	SHIPPING WGT. (LB)
RL-MPS	102613	60	21	7	42	64	64

DIMENSIONS

	INCHES	CENTIMETERS		INCHES	CENTIMETERS
A	10.8	27.4	D	22.3	56.6
B	14.8	37.6	E	58.5	148.6
C	4.1	10.4			



LB Only

RL-MPS-10

MECHANICAL PHYSICIAN SCALE

The RL-MPS-10 mechanical physician scale features a painted beam for weighing up to 450 pounds. For added convenience, weight readings can be taken from either the front or back of the scale. Its base is designed with a removable, slip-resistant base cover for easy cleaning, and can be easily transported with two durable built-in wheels.



FEATURES

- Sturdy, enameled steel body
- Painted beam
- Rugged scale understructure
- Durable wheels for easy transport
- Easy operation with two sliding weights
- Removable slip-resistant scale base cover
- Aluminum height rod

SPECIFICATIONS

Capacity:

450 lb × 4 oz

Platform Dimensions:

(L × W × H)

14.75 × 10.75 × 4.13 in

Height Rod:

Measures 24 to 84 in
(60 to 212 cm)

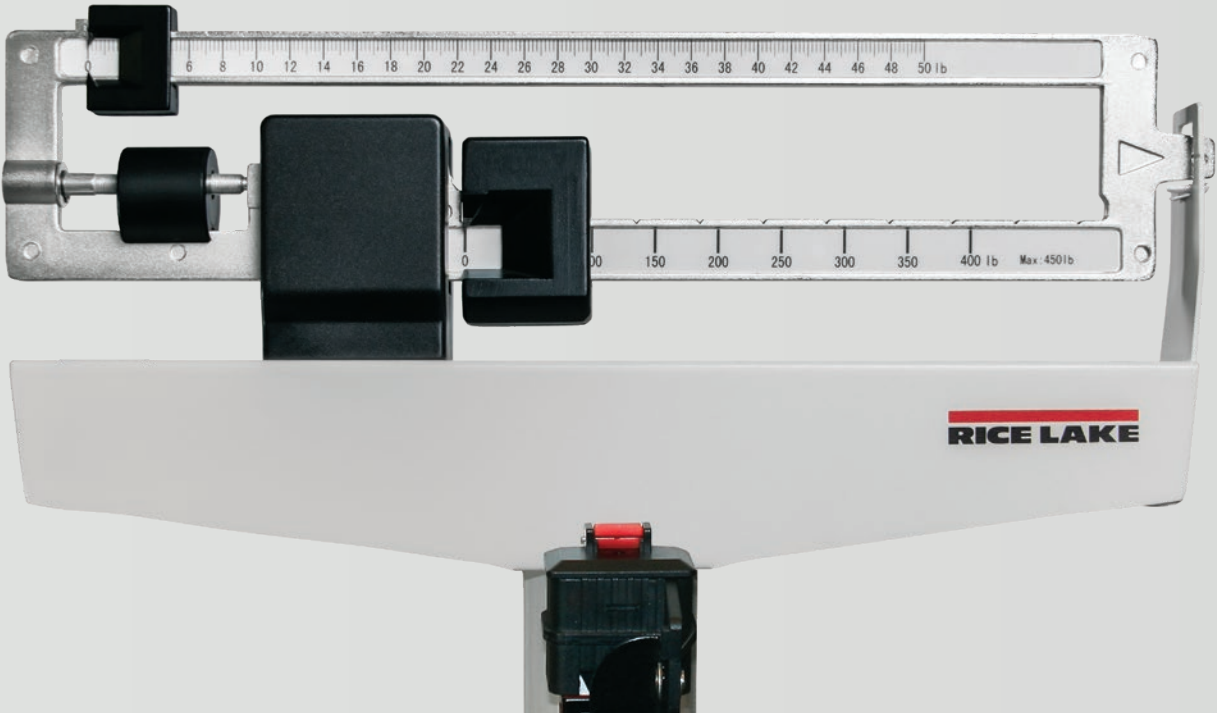
Height Division:

0.125 in

Warranty:

Two-year limited





MECHANICAL PHYSICIAN SCALE - LB ONLY

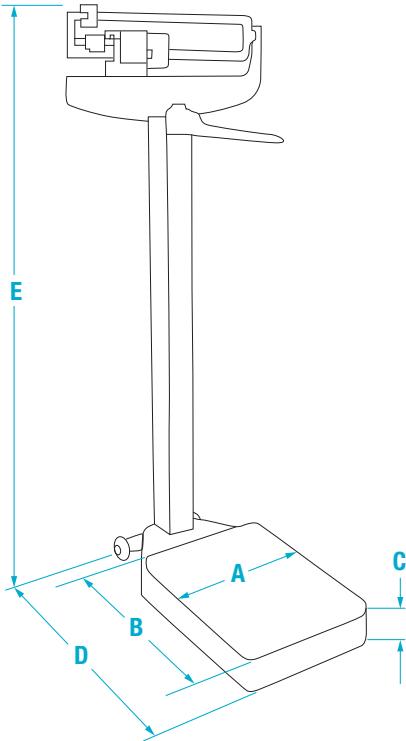
MODEL	CAPACITY	PART #
RL-MPS-10	450lb x 4oz	124223

SHIPPING WEIGHT

MODEL #	PART #	L (IN)	W (IN)	H (IN)	PACKAGE WGT. (LB)	DIM WGT. (LB)	SHIPPING WGT. (LB)
RL-MPS-10	124223	60	21	7	42	64	64

DIMENSIONS

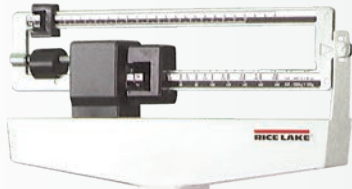
	INCHES	CENTIMETERS		INCHES	CENTIMETERS
A	10.8	27.4	D	22.3	56.6
B	14.8	37.6	E	58.5	148.6
C	4.1	10.4			





RL-MPS-20 MECHANICAL PHYSICIAN SCALE

The RL-MPS-20 mechanical physician scale features a painted beam for weighing up to 440 pounds (200 kilograms). For added convenience, weight readings can be taken from either the front or back of the scale. Its base is designed with a removable, slip-resistant base cover for easy cleaning.



FEATURES

- Sturdy, enameled steel body
- Painted beam
- Rugged scale understructure
- Easy operation with two sliding weights
- Removable slip-resistant scale base cover

SPECIFICATIONS

Capacity:
440 lb × 4 oz (200 kg × 100 g)

Platform Dimensions:
(L × W × H)
14.75 × 10.75 × 4.13 in

Warranty:
Two-year limited



MECHANICAL PHYSICIAN SCALE - LB AND KG

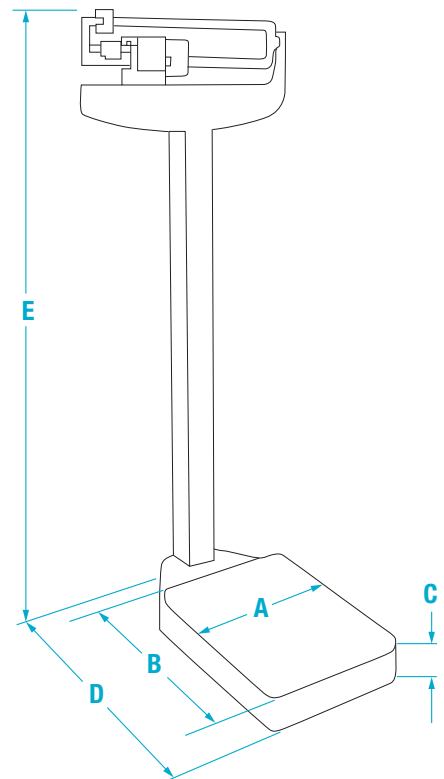
MODEL	CAPACITY	PART #
RL-MPS-20	440lb x 4oz (200kg x 100g)	124222

SHIPPING WEIGHT

MODEL #	PART #	L (IN)	W (IN)	H (IN)	PACKAGE WGT. (LB)	DIM WGT. (LB)	SHIPPING WGT. (LB)
RL-MPS-20	124222	60	21	7	36	64	64

DIMENSIONS

	INCHES	CENTIMETERS		INCHES	CENTIMETERS
A	10.8	27.4	D	22.3	56.6
B	14.8	37.6	E	58.5	148.6
C	4.1	10.4			

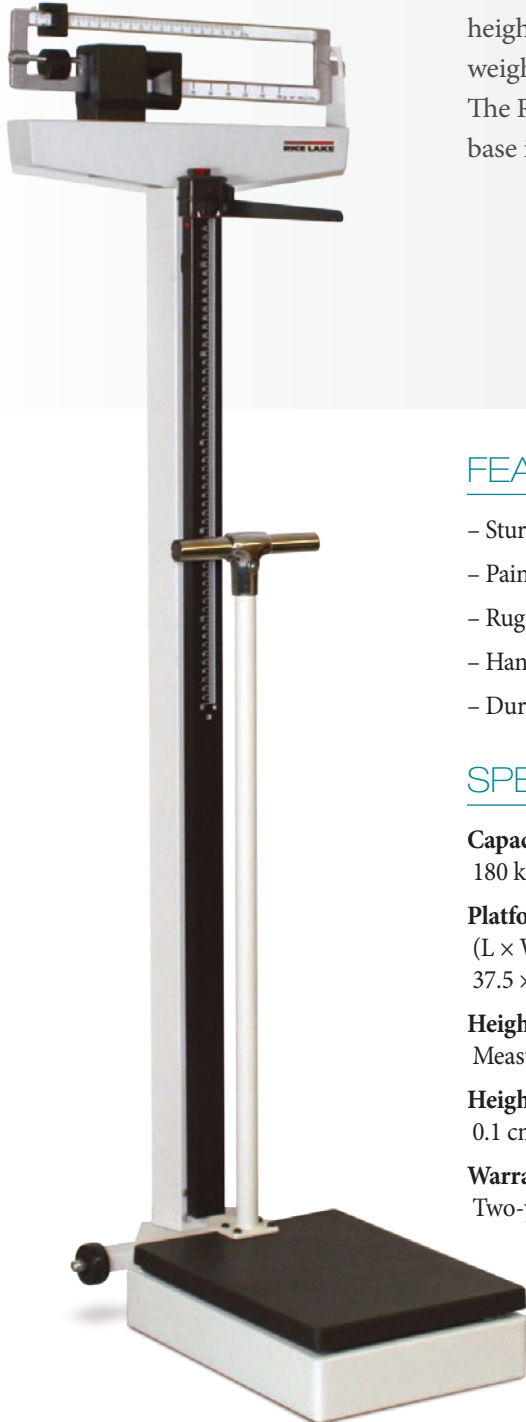


KG Only
with handpost

RL-MPS-30

MECHANICAL PHYSICIAN SCALE

The RL-MPS-30 mechanical physician scale with handpost features a painted beam for weighing up to 180 kilograms. A handpost installed at a strategic height provides enhanced support for all patients. For added convenience, weight readings can be taken from either the front or back of the scale. The RL-MPS-30 can be easily transported with two built-in wheels and its base is designed with a removable, slip-resistant base cover for easy cleaning.



FEATURES

- Sturdy, enameled steel body
- Painted beam
- Rugged scale understructure
- Handpost
- Durable wheels for easy transport
- Easy operation with two sliding weights
- Removable slip-resistant scale base cover
- Aluminum height rod

SPECIFICATIONS

Capacity:

180 kg x 100 g

Platform Dimensions:

(L x W x H)
37.5 x 27.5 x 10.5 cm

Height Rod:

Measures 60 to 212 cm

Height Division:

0.1 cm

Warranty:

Two-year limited





MECHANICAL PHYSICIAN SCALE - KG ONLY

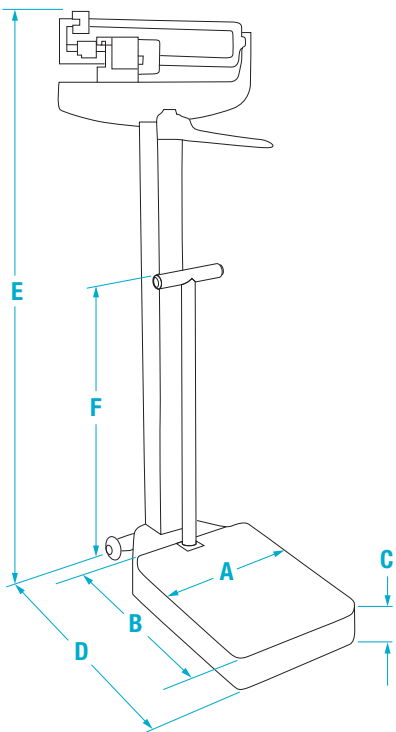
MODEL	CAPACITY	PART #
RL-MPS-30	180kg x 100g	132703

SHIPPING WEIGHT

MODEL #	PART #	L (IN)	W (IN)	H (IN)	PACKAGE WGT. (LB)	DIM WGT. (LB)	SHIPPING WGT. (LB)
RL-MPS-30	132703	60	21	7	40	64	64

DIMENSIONS

	INCHES	CENTIMETERS		INCHES	CENTIMETERS
A	10.8	27.4	D	22.3	56.6
B	14.8	37.6	E	58.5	148.6
C	4.1	10.4	F	31.5	80.0



LB & KG

RL-MPS-40

MECHANICAL PHYSICIAN SCALE

The RL-MPS-40 mechanical physician scale features a painted beam for weighing up to 440 pounds (200 kilograms) and 490 pounds (220 kilograms) with the counterpoise weights. Weight and height can be easily read from either the front or back. The RL-MPS-40 can be easily transported with two built-in wheels and its base is designed with a removable, slip-resistant base cover for easy cleaning.



FEATURES

- Dual-read capacity and height rod
- Sturdy enameled steel body
- Painted beam designed to hold counterpoise weights
- Rugged scale understructure
- Removable slip-resistant plastic scale base cover
- Retractable aluminum height rod
- Easy operation with two sliding weights and two counterpoise weights (included)
- Rear wheels for portability ease
- Aluminum height rod

SPECIFICATIONS

Capacity with Counterpoise Weights:

490 lb × 4 oz (220 kg × 100 g)

Platform Dimensions:

(L × W × H)
14.75 × 10.75 × 4.13 in

Height Rod:

Measures 24 to 84 in
(60 to 212 cm)

Height Division:

0.125 in (0.1 cm)

Warranty:

Two-year limited





MECHANICAL PHYSICIAN SCALE - LB AND KG

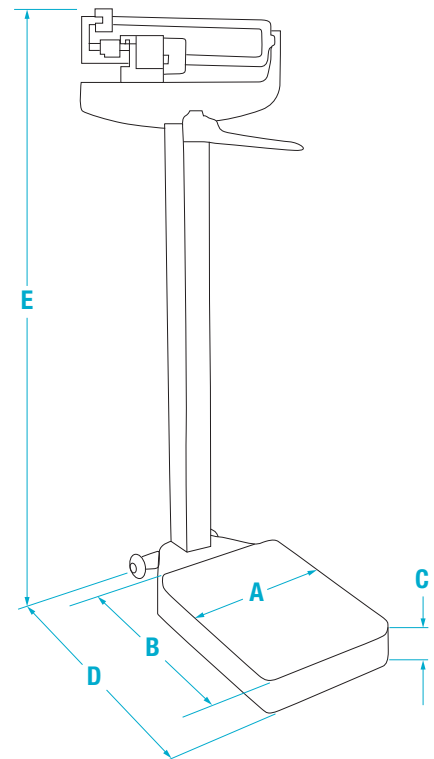
MODEL	CAPACITY	PART #
RL-MPS-40	490lb x 4oz (220kg x 100g)	185289

SHIPPING WEIGHT

MODEL #	PART #	L (IN)	W (IN)	H (IN)	PACKAGE WGT. (LB)	DIM WGT. (LB)	SHIPPING WGT. (LB)
RL-MPS-40	185289	60	21	7	44	64	64

DIMENSIONS

	INCHES	CENTIMETERS		INCHES	CENTIMETERS
A	10.8	27.4	D	22.3	56.6
B	14.8	37.6	E	58.5	148.6
C	4.1	10.4			



LB & KG

RL-MPS-50 MECHANICAL PHYSICIAN SCALE

Rice Lake's RL-MPS-50 mechanical physician scale is built to weigh patients up to 450 pounds (200 kilograms). The RL-MPS-50 features a height rod for monitoring growth and is designed with rear wheels for ease of transport. The poise travels freely along the weigh beam with just a tap of the finger. A distinctive, color-coded weigh beam is easy to read, with a kilogram weighing option available by flipping the beam.



PG
22

FEATURES

- Ease of transport with rear wheels
- Aluminum height rod included
- Poise travels free on weigh beam with simple finger tap
- Easy-to-read weigh beam's color-coded black inset shows LB markings, white inset shows KG markings. The beam can be rotated to the desired unit of measure.
- Aluminum height rod

SPECIFICATIONS

Capacity:
450 lb × 4 oz (200 kg × 100 g)

Platform Dimensions:
(L × W × H)
14.96 × 11.02 × 4.21 in

Height Rod:
Measures 29.50 to 78.75 in
(75 to 200 cm)

Height Division:
0.25 in (5 mm)

Warranty:
Two-year limited



Weigh beam with lb markings



Weigh beam with kg markings



MECHANICAL PHYSICIAN SCALE - LB AND KG

MODEL	CAPACITY	PART #
RL-MPS-50	450lb x 4oz (200kg x 100g)	195264

SHIPPING WEIGHT

MODEL #	PART #	L (IN)	W (IN)	H (IN)	PACKAGE WGT. (LB)	DIM WGT. (LB)	SHIPPING WGT. (LB)
RL-MPS-50	195264	60	21	5	39	46	46

DIMENSIONS

	INCHES	CENTIMETERS		INCHES	CENTIMETERS
A	11.0	28.9	D	22.2	56.4
B	15.0	38.1	E	58.9	149.6
C	4.2	10.7			

