

# Junction Boxes

## TABLE OF CONTENTS

IQUBE <sup>2</sup> DIGITAL DIAGNOSTIC JUNCTION BOX .....	206
REMOTE POWER SUPPLY FOR IQUBE <sup>2</sup> .....	208
IQUBE <sup>2</sup> DIGITAL DIAGNOSTIC JUNCTION BOXES.....	209

# iQUBE<sup>2</sup>® Digital Diagnostic Junction Box

Junction Boxes

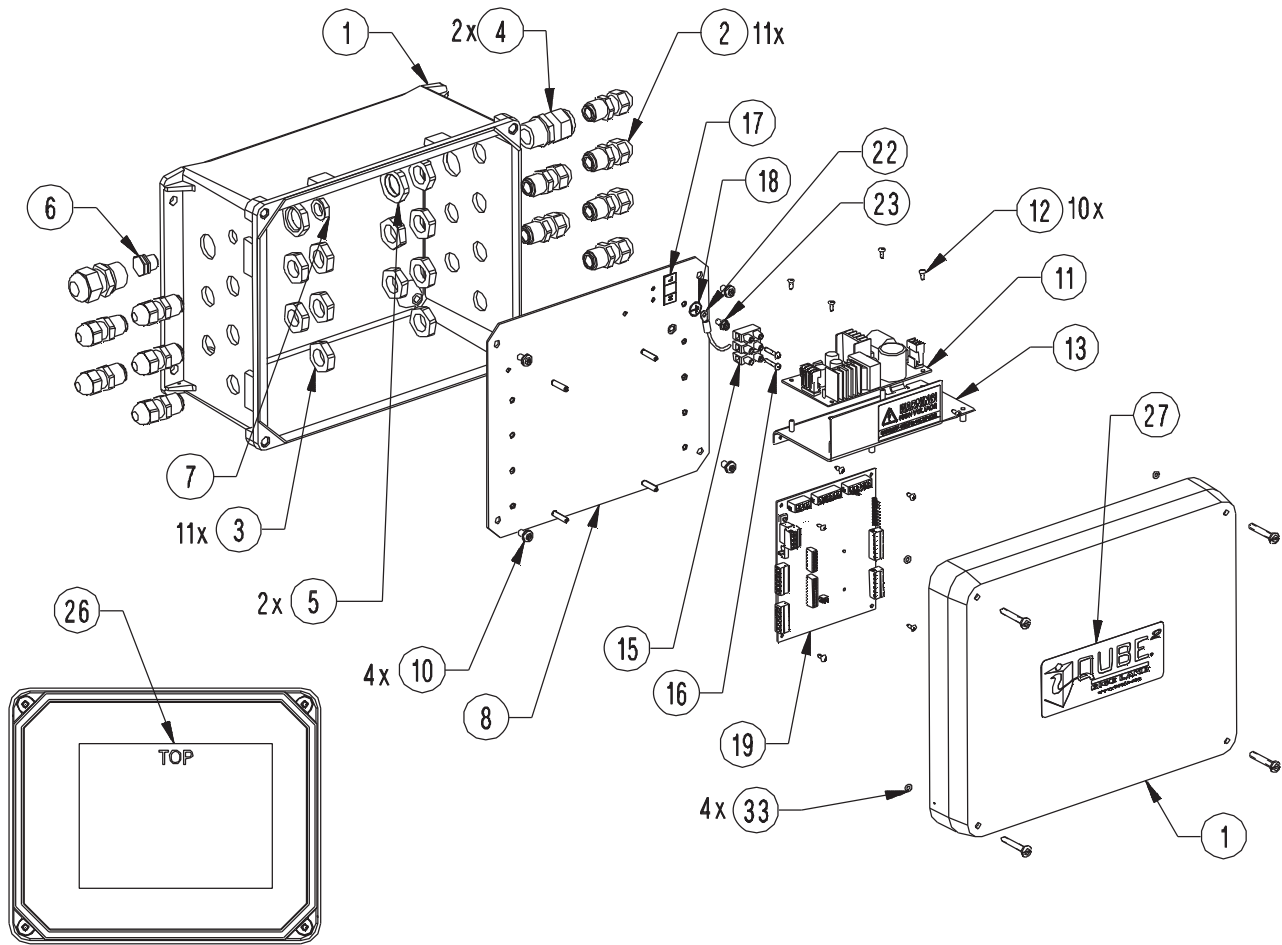


## Part Number/Price

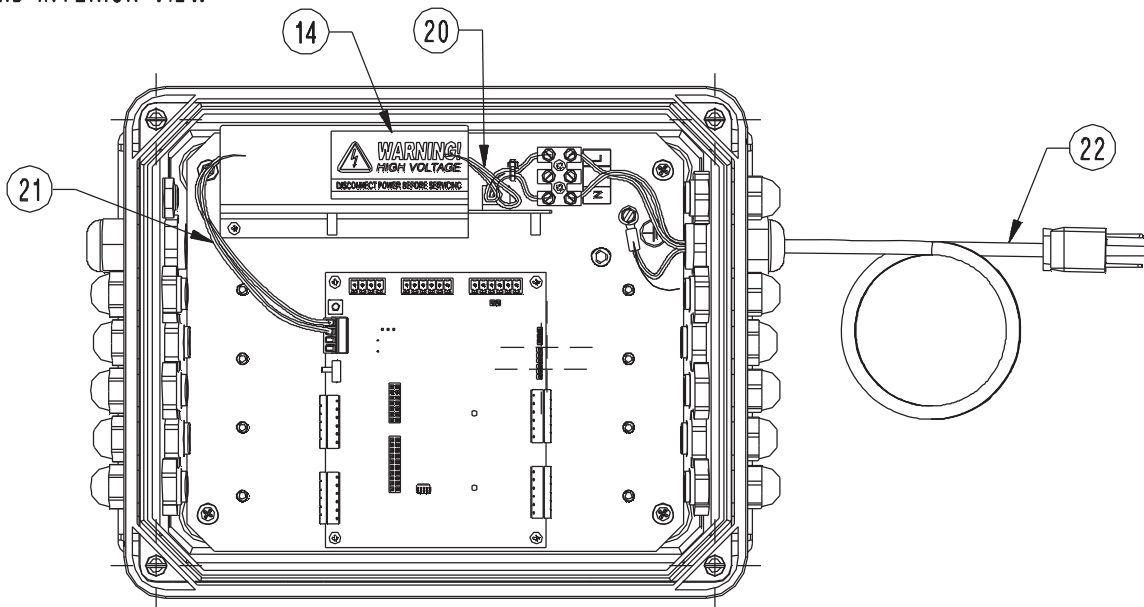
Ref#	Part#	Description	Price
1	<b>106389</b>	10 x 8 x 4 stainless steel enclosure (1)	Consult
	<b>106388</b>	Large FRP enclosure (1)	Consult
	<b>109528</b>	Small FRP enclosure (1)	Consult
2	<b>15655</b>	Cord-grips, 3/8 NPT (11-small; 17-large)	Consult
3	<b>15656</b>	Lock nuts, 3/8 NPT (11-small; 17-large)	Consult
4	<b>15628</b>	Cord-grips, 1/2 NPT (2)	Consult
5	<b>15630</b>	Lock nuts, 1/2 NPT (2)	Consult
6	<b>88733</b>	Breather vent (1)	Consult
7	<b>88734</b>	Breather vent nut (1)	Consult
8	<b>106391</b>	Component plate, small enclosure (1)	Consult
	<b>109153</b>	Component plate, large enclosure (1)	Consult
9	<b>109446</b>	Ground wire, 9in (1)	Consult
10	<b>109526</b>	Machine screws, 10-32 NC x 3/8 (4)	Consult
11	<b>76556</b>	7.5V switching power supply (1)	Consult
12	<b>14825</b>	Machine screws, 4-40 NC x 1/4 (10-small; 12-large)	Consult
13	<b>107026</b>	Power supply mounting bracket (1)	Consult
14	<b>16861</b>	High voltage warning label (1)	Consult
15	<b>44744</b>	3-position terminal block (1)	Consult
16	<b>14834</b>	Machine screws, 4-40 NC x 5/8 (2)	Consult
17	<b>109319</b>	AC power connection label (1)	Consult
19	<b>106390</b>	CPU board (1)	Consult
	<b>108433</b>	CPU board with connectors	Consult
20	<b>109142</b>	AC input cable assembly (1)	Consult
21	<b>109145</b>	CPU board power cable assembly (1)	Consult
22	<b>109581</b>	Power cord assembly, 120 VAC (1)	Consult
23	<b>109529</b>	Machine screw, 8-32 NC x 3/8 (1)	Consult
26	<b>109344</b>	iQUBE <sup>2</sup> connection label (1)	Consult
27	<b>109343</b>	iQUBE <sup>2</sup> label (1)	Consult
33	<b>81268</b>	O-rings (4-FRP enclosures only)	Consult
	<b>85791</b>	Main power supply fuse, 2.5 amp 5 x 20 mm	Consult
	<b>80869</b>	CPU board fuse, 1.25 amp TR5	Consult
	<b>112262</b>	ReFlash cable, rev. F and newer	Consult
	<b>SZ14469</b>	ReFlash cable, rev. E and older	Consult
	<b>106113</b>	Manual, iQUBE <sup>2</sup> installation manual	Consult
	<b>108579</b>	RS232/RS485 board	Consult
	<b>77142</b>	Ethernet TCP/IP board	Consult
	<b>108671</b>	Wireless LAN 802.11 B/G board	Consult
	<b>93245</b>	USB port board	Consult
	<b>77143</b>	Fiber optic board	Consult
	<b>109148</b>	<b>4-Channel Parts Kit Contents</b>	<b>Consult</b>
		<b>14861</b> Machine screws, 8-32 NC x 3/8 (qty. 8)	Consult
		<b>15134</b> Lock washers, no. 8 Type A (qty. 8)	Consult
		<b>15631</b> Cable ties, 3 in (qty. 5)	Consult
		<b>15665</b> Reducing glands, 1/2 NPT (qty. 2)	Consult
		<b>19538</b> Slotted posts, 1/4 x 1 (qty. 8)	Consult
		<b>53075</b> Ground cable clamps (qty. 8)	Consult
		<b>66730</b> Ferrite EMI suppression filters (qty. 4)	Consult
		<b>76513</b> 4-position screw terminal connector (qty. 1)	Consult
		<b>76514</b> 6-position screw terminal connectors (qty. 6)	Consult
		<b>94422</b> Capacity label (qty. 1)	Consult
	<b>110333</b>	<b>8-Channel Parts Kit Contents</b>	<b>Consult</b>
		<b>14861</b> Machine screws, 8-32 NC x 3/8 (qty. 12)	Consult
		<b>15134</b> Lock washers, no. 8 Type A (qty. 12)	Consult
		<b>15631</b> Cable ties, 3 in (qty. 5)	Consult
		<b>15665</b> Reducing glands, 1/2 NPT (qty. 2)	Consult
		<b>19538</b> Slotted posts, 1/4 x 1 (qty. 10)	Consult
		<b>53075</b> Ground cable clamps (qty. 12)	Consult
		<b>66730</b> Ferrite EMI suppression filters (qty. 8)	Consult
		<b>76513</b> 4-position screw terminal connector (qty. 2)	Consult
		<b>76514</b> 6-position screw terminal connectors (qty. 12)	Consult
		<b>94422</b> Capacity label (qty. 1)	Consult

(See Diagram iQUBE<sup>2</sup> A)

# iQUBE<sup>2</sup> Digital Diagnostic Junction Box



LID INTERIOR VIEW



BOX INTERIOR VIEW

iQUBE<sup>2</sup> A

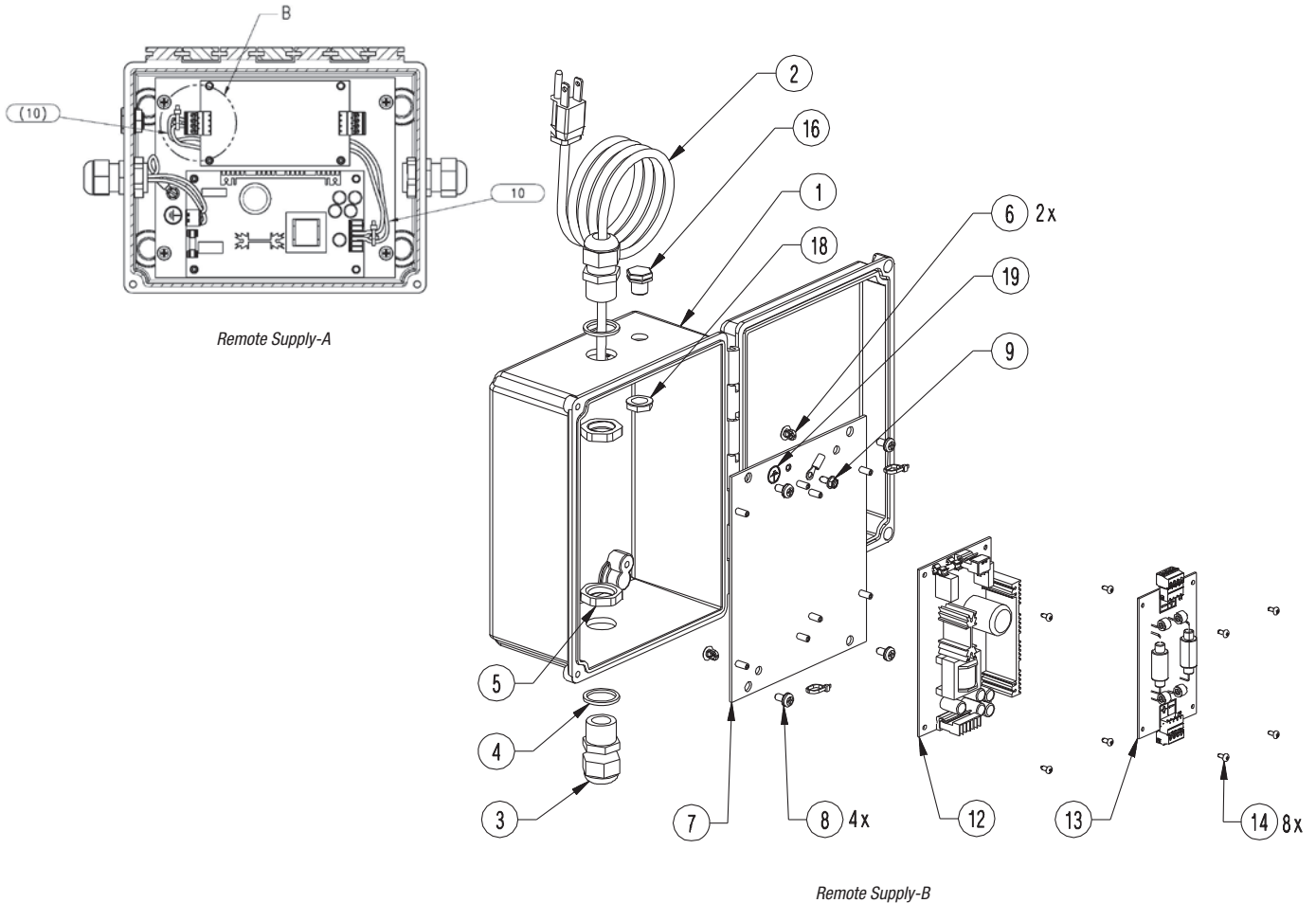
# Remote Power Supply for iQUBE<sup>2</sup>



## Part Number/Price

Ref#	Part#	Description	Price
1	110496	Enclosure (1)	Consult
2	78950	Power cord assembly (1), includes cord-grip, seal ring, lock nut	Consult
3	15628	Cord-grip, 1/2 NPT (1)	Consult
4	30376	Seal ring, 1/2 NPT (1)	Consult
5	15630	Lock nut, 1/2 NPT (1)	Consult
6	80589	Cable tie mounts (2)	Consult
7	110497	Back panel (1)	Consult
8	109526	Machine screws, 10-32 NC x 3/8 (4)	Consult
9	109529	Machine screw, 8-32 NC x 3/8 (1)	Consult
10	110580	Power cable power supply to transient board	Consult
12	72996	12V power supply board (1)	Consult
	54224	Replacement power supply fuse (1)	Consult
13	109396	Transient protection board (1)	Consult
14	14825	Machine screws, 4-40 NC x 1/4 (8)	Consult
16	88733	Breather vent (1)	Consult
18	88734	Breather vent nut (1)	Consult
	15665	Reducing gland for output power cord-grip, 1/2 NPT	Consult
	67967	Connector, 6 position used on 12V power supply board	Consult
	76513	Connector, 4 position used on transient board	Consult
	110564	Manual for remote power supply	Consult

(See Diagram Remote Supply-A and Remote Supply-B)



# iQUBE® Digital Diagnostic Junction Boxes

## Part Number/Price

Ref#	Part#	Description	Price
	<b>71027</b>	Fuse F1, 2A time-lag, Wickmann TR5, type 374	Consult
	<b>77224</b>	Installation manual	Consult
	<b>77925</b>	Revolution III configuration software CD	Consult
	<b>93021</b>	iQUBE parts kit	Consult
	<b>78476</b>	Operating lever for connectors	Consult
	<b>77531</b>	Power supply	Consult
	<b>87961</b>	5-pin connector, screw terminals	Consult
	<b>77143</b>	Fiber optic board, RX/TX, installed in iQUBE	Consult
	<b>77788</b>	Fiber optic board, RX/TX, installed in 920i indicator	Consult
2	<b>81268</b>	O-ring (4)	Consult
3	<b>14822</b>	Machine screws, 4-40 NC x 1/2	Consult
5	<b>14637</b>	Nuts (for power ground), 1/4-20 NC	Consult
6	<b>31546</b>	1/4 in internal tooth lock washers (for power ground)	Consult
7	<b>14729</b>	Bolt (for power ground), 1/4-20 NC x 3/4 hex head	Consult
8	<b>15655</b>	Cable grip, 3/8 NPT	Consult
9	<b>15656</b>	Lock nut, 3/8 NPT	Consult
10	<b>15628</b>	Cord-grips, 1/2 in NPT	Consult
11	<b>15630</b>	Lock nuts, 1/2 in NPT	Consult
12	<b>91785</b>	iQUBE enclosure	Consult
14	<b>88734</b>	Nut, breather vent	Consult
15	<b>88733</b>	Vent, breather	Consult
16	<b>19538</b>	Slotted back post	Consult
17	<b>15665</b>	Reducing gland	Consult
20	<b>70698</b>	Wire assembly, ground	Consult
21	<b>91896</b>	Mounting panel assembly	Consult

(See Diagrams iQUBE-A & iQUBE-B)



Junction Boxes

# iQUBE® Digital Diagnostic Junction Boxes

