

Load Cells / Weigh Modules

TABLE OF CONTENTS

SURVIVOR® Paramounts® HE 631 <i>Medium-capacity Weigh Module Systems</i>	EZ Mount 1 with RL7000SS 672 <i>Stainless Steel Weigh Modules, Rice Lake Weighing Systems</i>	RL32018S-P 701 <i>Stainless Steel, Hermetically Sealed, IP69K</i>
RL1700 HE 632 <i>Light- to Medium-capacity Weigh Modules</i>	EZ Mount 1 with Coated RL70000 673 <i>Rice Lake Weighing Systems</i>	RL32018S-HE 702 <i>Stainless Steel, Hermetically Sealed, NTEP Certified 1:5,000 Class III Multiple Cell, IP69K</i>
RL1600 HE 633 <i>Medium-capacity Weigh Modules</i>	EZ Mount 1 HE 674 <i>Stainless Steel Weigh Modules, Rice Lake Weighing Systems</i>	RL32019S-HE 703 <i>Stainless Steel, Hermetically Sealed, NTEP Certified 1:5,000 Class III Multiple Cell, IP69K</i>
RL1855 HE-HS 634 <i>Medium-capacity Weigh Modules</i>	RL1600 Series 675 <i>Cast Iron Weigh Modules, Rice Lake Weighing Systems</i>	RL32218S-HE 704 <i>Stainless Steel, Hermetically Sealed, NTEP Certified 1:5,000 Class III Multiple Cell, IP69K</i>
RL2100 HE 635 <i>Heavy-capacity Weigh Modules</i>	RL1600 Series 677 <i>Mild Steel Weigh Modules, Rice Lake Weighing Systems</i>	RL9018SS 705 <i>Stainless Steel, Hermetically Sealed, NTEP Certified 1:4,000S/1:5,000M, OIML C3, IP68/IP69K</i>
ITCM 636 <i>Isolated Tension Cell Modules</i>	RL1600 Series SS 679 <i>Stainless Steel Weigh Modules, Rice Lake Weighing Systems</i>	RL30000I 706 <i>Alloy Steel, Environmentally Sealed, NTEP Certified 1:5,000 III Class III Multiple Cell, IP67</i>
ITCM SS 637 <i>Stainless Steel Isolated Tension Cell Modules</i>	RL1600 Series Coated Load Cell Version 681 <i>Stainless Steel Weigh Modules, Rice Lake Weighing Systems</i>	RL30002 Thru Hole 707 <i>Alloy Steel, Environmentally Sealed, NTEP Certified 1:5,000 III Class III Multiple Cell, IP67</i>
ITCM HE 638 <i>Stainless Steel, Welded Seal, NTEP Certified Isolated Tension Cell Modules</i>	MVS Mount/MVS 682 <i>Conversion Kit</i>	RLH35 708 <i>Stainless Steel, Welded Seal, NTEP Certified 1:5,000 Class III Multiple Cell, IP67</i>
RL50210TA 639 <i>Mini Tank Weighing Module</i>	Translink™ Parallel Link 683 <i>Truck Scale Assembly, Rice Lake Weighing Systems</i>	RL39123 709 <i>Stainless Steel, Environmentally Sealed, IP67</i>
65059 641 <i>Mini Tank Weighing Module, VPG Sensortronics</i>	Motor Truck Scale Electronic Conversion Kit 684 <i>Rice Lake Weighing Systems</i>	RL32018S-T 710 <i>Stainless Steel, Hermetically Sealed, NTEP Certified, 1:5,000 Class III Multiple Cell, IP69K</i>
RL50219SS-TA 643 <i>Mini Tank Weighing Module, Stainless Steel</i>	MagnaMount® 685 <i>Tank, Truck and Railroad Track Assembly</i>	RL35023S Coated 711 <i>Stainless Steel, Environmentally Sealed, NTEP Certified 1:5,000 Class III Multiple Cell, IP67</i>
Paramounts® EP 645 <i>Environmentally Protected, Mild Steel, Light- to Medium-capacity Tank Weighing Systems</i>	Mettler Toledo® DigiTOL® Retrofit Kit 686 <i>Stainless Steel, Rice Lake Weighing Systems/Flintec</i>	RLHTO 712 <i>Stainless Steel, Hermetically Sealed, IP66/68</i>
Paramounts® HS 647 <i>Hermetically Sealed, Mild Steel, Light- to Medium-capacity Tank Weighing Systems</i>	Rice Lake Analog Retrofit Kit 688 <i>Stainless Steel, Analog Load Cells</i>	RLSSB 713 <i>Stainless Steel, Welded Seal, NTEP Certified 1:5,000 Class III Multiple Cell, IP67</i>
RLBTM 649 <i>Mild Steel/Stainless Steel Weigh Modules</i>	Electronic Floor Scale Underdeck Kits 689	RLSB250/RLSB250T 714 <i>Stainless Steel, Welded Seal, NTEP Certified 1:5,000 Class III Multiple Cell, IP67</i>
RL1800 Series 650 <i>Mild Steel/Stainless Steel Weigh Modules</i>	S-BEAM	RL50219SS 715 <i>Stainless Steel, Environmentally Sealed, IP67</i>
RL1800 Series Coated Load Cell Version 652 <i>Stainless Steel Weigh Modules</i>	RL20000I 690 <i>Alloy Steel, Environmentally Sealed, NTEP Certified 1:5,000 III/1:10,000 III, IP67</i>	RL50210 716 <i>Alloy Steel, Environmentally Sealed, IP65</i>
RL1900 Series 653 <i>Stainless Steel Weigh Modules</i>	RL20000SS 691 <i>Stainless Steel, Environmentally Sealed, NTEP Certified 1:10,000 Class III Single Cell, IP67</i>	RL60040SST 717 <i>Stainless Steel, Environmentally Sealed, IP65</i>
RLTM 654 <i>Stainless Steel Tank Weigh Modules</i>	RL20000ST 692 <i>Stainless Steel, Environmentally Sealed, NTEP Certified 1:10,000 Class III Single Cell, IP67</i>	RL40BBS 718 <i>Alloy Steel, Environmentally Sealed, IP65</i>
RL9000TWM Series 655 <i>Stainless Steel, Tank, Hopper and Vessel Weighing Assembly</i>	RL20001I 693 <i>Alloy Steel, Environmentally Sealed, NTEP Certified Single Cell 1:5,000 III/1:10,000 III, IP67</i>	RL32011WB-L 719 <i>Stainless Steel, Environmentally Sealed, NTEP Certified 1:5,000 Class III Multiple Cell, Potted, IP67</i>
RL9000TWM-HT 658 <i>Tank, Hopper and Vessel Weigh Module</i>	RL20001HE 694 <i>Stainless Steel, Welded Seal, NTEP Certified 1:5,000 Class III/1:10,000 Class III Single Cell, IP68</i>	RL32011WB-T 720 <i>Stainless Steel, Environmentally Sealed, NTEP Certified 1:5,000 Class III Multiple Cell, Potted, IP67</i>
RL2200 Series 659 <i>Tank, Hopper and Vessel Weighing Assembly</i>	RLETS 695 <i>Alloy Steel, Environmentally Sealed, OIML C3, IP67</i>	DOUBLE-ENDED BEAM
RL2200SS Series 660 <i>Stainless Steel, Tank, Hopper and Vessel Weighing Assembly</i>	SINGLE-ENDED BEAM	RL72020 721 <i>Alloy Steel, Environmentally Sealed, NTEP Certified 1:5,000 Class III/1:10,000 Class III Multiple Cell, IP67</i>
RLC 661 <i>Stainless Steel Weigh Modules, VPG Revere</i>	RL32022 696 <i>Alloy Steel, Environmentally Sealed, OIML C3, IP67</i>	RL72020SS 722 <i>Stainless Steel, Environmentally Sealed, NTEP Certified 1:5,000 Class III/1:10,000 Class III Multiple Cell, IP67</i>
220 Universal Mount 662 <i>Stainless Steel Weigh Modules, VPG Teda-Huntleigh</i>	RL32022S 697 <i>Stainless Steel, Hermetically Sealed, OIML C3, IP69K</i>	RL72020P Coated 723 <i>Alloy Steel, Environmentally Sealed, NTEP Certified 1:5,000 Class III/1:10,000 Class III Multiple Cell, IP67</i>
EZ Mount 1 with RL72020 664 <i>Mild Steel Weigh Modules, Rice Lake Weighing Systems</i>	RL32018 698 <i>Alloy Steel, Environmentally Sealed, NTEP Certified 1:5,000 Class III Multiple Cell, IP66</i>	
EZ Mount 1 SS with RL72020SS 666 <i>Stainless Steel Weigh Modules, Rice Lake Weighing Systems</i>	RL32018 Coated 699 <i>Alloy Steel, Environmentally Sealed, NTEP Certified 1:5,000 Class III Multiple Cell, IP66</i>	
EZ Mount 1 with Coated RL72020P 668 <i>Stainless Steel Weigh Modules, Rice Lake Weighing Systems</i>	RL32018S 700 <i>Stainless Steel, Environmentally Sealed, NTEP Certified 1:5,000 Class III Multiple Cell, IP66</i>	
EZ Mount 1 with RL70000 670 <i>Mild Steel Weigh Modules, Rice Lake Weighing Systems</i>		

Product names, logos, brands and other trademarks featured or referred to within this publication are the property of their respective trademark holders.

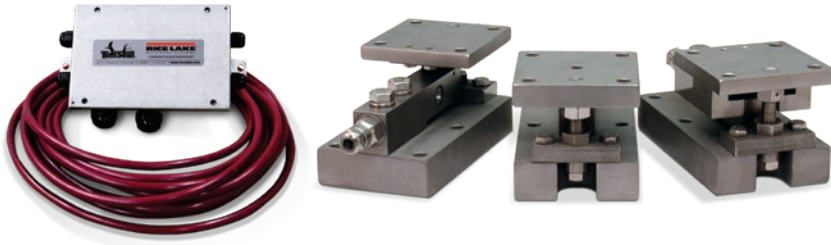
Load Cells / Weigh Modules

RL72019SS 724 <i>Stainless Steel, Welded Seal, NTEP Certified 1:5,000 Class III/1:10,000 Class III L Multiple Cell, IP68</i>	RL70510/RL80453 743 <i>Stainless Steel, Hermetically Sealed, NTEP Certified 1:10,000 Class III L, IP69K</i>	RL1385 761 <i>Stainless Steel, Environmentally Sealed, NTEP Certified 1:4,500 Class III Single Cell, IP67</i>
RL70000 725 <i>Alloy Steel, Environmentally Sealed, NTEP Certified 1:10,000 Class III L Multiple Cell, IP67</i>	RL75114-50K 744 <i>Stainless Steel, Welded Seal, NTEP Certified 1:10,000 Class III L, IP67</i>	RL1260 762 <i>Aluminum, Environmentally Sealed, NTEP Certified 1:5,000 Class III Single Cell, IP67</i>
RL70000 Coated 726 <i>Alloy Steel, Environmentally Sealed, IP67</i>	COMPRESSION DISK	RL260FD 763 <i>Fluid Damped, Stainless Steel, Environmentally Sealed, NTEP Certified Single Cell 1:3,000, IP68</i>
RL70000SS 727 <i>Stainless Steel, Environmentally Sealed, NTEP Certified 1:5,000 Class III/1:10,000 III L Multiple Cell, IP67</i>	RL90000 745 <i>Alloy Steel, Environmentally Sealed, IP67</i>	RL26018A 764 <i>Aluminum, Environmentally Sealed, NTEP Certified 1:5,000 Class III Single Cell, IP67</i>
RL75016 728 <i>Alloy Steel, Environmentally Sealed, IP67</i>	RLPC3SS 746 <i>Stainless Steel, Environmentally Sealed, NTEP Certified 1:3,000 Class III Single Cell, IP67</i>	RL1218A 765 <i>Aluminum, Environmentally Sealed, NTEP Certified 1:5,000 Class III Single Cell, IP67</i>
RL75016 Coated 729 <i>Alloy Steel, Environmentally Sealed, IP67</i>	RLPC4SS-HE 747 <i>Stainless Steel, Hermetically Sealed, NTEP Certified 1:5,000 Class III Single Cell, IP69K</i>	RL42018A 766 <i>Aluminum, Environmentally Sealed, NTEP Certified 1:5,000 Class III Single Cell, IP66</i>
RL75016SS 730 <i>Stainless Steel, Environmentally Sealed, IP67</i>	SINGLE POINT	RLFLS 767 <i>Stainless Steel, Environmentally Sealed, Potted, IP67</i>
RL75016SS-W 731 <i>Stainless Steel, Welded Seal, IP67</i>	RLPC6 748 <i>Stainless Steel, Hermetically Sealed, NTEP Certified 1:5,000 Class III Single Cell, IP69K</i>	PLANAR BEAM
RL75016WHE 732 <i>Stainless Steel, Hermetically Sealed, IP69K</i>	RLPWM15HE 749 <i>Stainless Steel, Hermetically Sealed, NTEP Certified 1:5,000 Class III Single Cell, IP69K</i>	RLBLP 768 <i>Aluminum, Environmentally Sealed, IP65</i>
RL75058I for Rice Lake Coil Scale 733 <i>Alloy Steel, Environmentally Sealed, NTEP Certified 1:5,000 Class III Multiple Cell, IP67</i>	RLPWM15 750 <i>Stainless Steel, Environmentally Sealed, NTEP Certified 1:5,000 Class III Single Cell, IP67</i>	TENSION LINK
RL75058-LP 734 <i>Alloy Steel, Environmentally Sealed, NTEP Certified 1:10,000 Class III L Multiple Cell, IP67</i>	RLPCBC-60 751 <i>Stainless Steel, Hermetically Sealed, NTEP Certified 1:5,000 Class III Single Cell, IP69K</i>	RL2010 769 <i>Stainless Steel, Environmentally Sealed, IP67</i>
RL75058S-LP 735 <i>Stainless Steel, Hermetically Sealed, NTEP Certified 1:10,000 Class III L Multiple Cell, IP68/69K</i>	RL1521A 752 <i>Aluminum, Environmentally Sealed, NTEP Certified 1:5,000 Class III Single Cell, IP66</i>	MSI Load Pin Sensors 770
RL75060S 736 <i>Stainless Steel, Welded Seal, NTEP Certified 1:5,000 III/1:10,000 Class III L Multiple Cell, IP67</i>	RL1010 753 <i>Aluminum, NTEP Certified 1:5,000 Class III Single Cell, Potted and Unpotted, IP65/IP67</i>	MSI Load Pin Questionnaire 771
RL75223 737 <i>Alloy Steel, Welded Seal, NTEP Certified 1:10,000 Class III Multiple Cell, IP67</i>	RLSP4 754 <i>Aluminum, Environmentally Sealed, NTEP Certified 1:5,000 Class III Single Cell, IP66</i>	MSI Tension Link 772 <i>Load Cell</i>
RLDB50000S 738 <i>Stainless Steel, Welded Seal, NTEP Certified 1:10,000 III Multiple Cell, IP67</i>	RLPWM12 755 <i>Aluminum, Environmentally Sealed, NTEP Certified 1:5,000 Class III Single Cell, IP67</i>	MSI Clamp-On 773 <i>Load Cell</i>
RL75040 739 <i>Alloy Steel, Environmentally Sealed, NTEP Certified 1:10,000 Class III L Multiple Cell, IP67</i>	RLPWM16 756 <i>Aluminum, Environmentally Sealed, NTEP Certified 1:5,000 Class III Single Cell, IP67</i>	
COMPRESSION CANISTER	RL1042 757 <i>Aluminum, Environmentally Sealed, NTEP Certified 1:5,000 Class III Single Cell, IP66</i>	
RLCSP1 740 <i>Stainless Steel, Welded Seal, NTEP Certified 1:10,000 Class III Multiple Cell, IP67</i>	RL1040 758 <i>Aluminum, NTEP Certified 1:5,000 Class III Single Cell, Potted and Unpotted, IP65/IP67</i>	
RL8C2P1SST 741 <i>Stainless Steel, Hermetically Sealed, NTEP Certified 1:10,000 Class III L Multiple Cell, IP68</i>	RL1140 759 <i>Stainless Steel, Environmentally Sealed, Potted IP67</i>	
ROCKER COLUMN	RL1380 760 <i>Stainless Steel, Environmentally Sealed, NTEP Certified 1:3,000 Class III Single Cell, IP67</i>	
RLSCA-50K 742 <i>Stainless Steel, Welded Seal, NTEP Certified 1:10,000 Class III Multiple Cell, IP67</i>		

SURVIVOR® Paramounts® HE

Medium-capacity Weigh Module Systems

LOAD CELLS /
WEIGH MODULES



Picture is a representation of actual product.

Complete Kit Includes

- One fixed-pin module, one side-stop module, and one or two free-sliding assemblies. Each module is complete with a Flintec SB4 stainless steel hermetically sealed load cell.
- One JB4SS NEMA Type 4X stainless steel signal trim junction box
- 25 ft of our hostile environment EL147HE SURVIVOR® load cell cable

Standard Features

- All stainless steel construction
- Bolt-in-place design; module bolts directly to tank leg without requiring additional load buttons or mounting plates
- Load cell outputs are mV/V/ohm calibrated to minimize maintenance costs
- Unique design allows for thermal expansion/contraction
- Low-profile, self-checking design
- Jacking screw allows empty vessel to be lifted clear of load cell for maintenance
- Unique patented blind load hole technology minimizes unwanted side and eccentric loading
- Vessel is free to slide laterally on PTFE-coated surfaces

Applications

- Medium-capacity blenders and tanks
- Batching/blending
- Pharmaceutical processing
- Food processing
- Petroleum refining and batching

Load Cell Approvals



Order Information

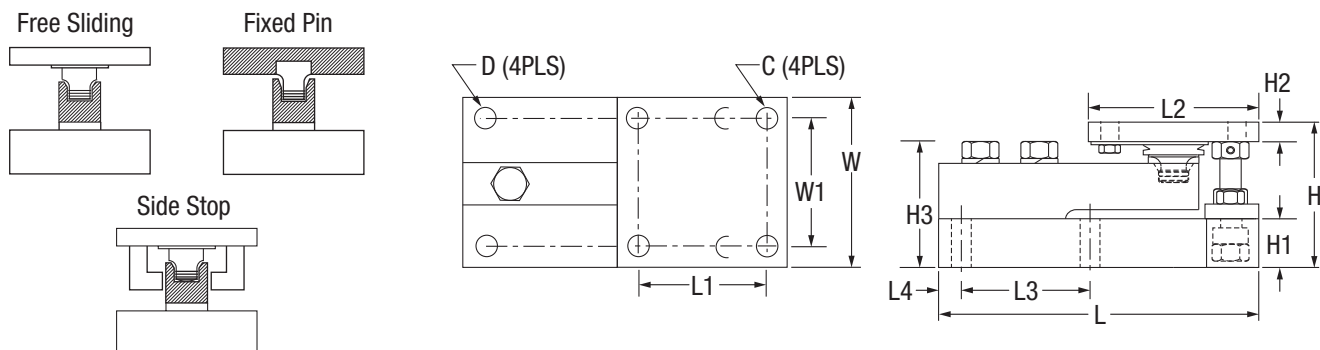
Load Rating (Per Module)	Part #	Price
NTEP Certified/OIML C3 3-Module Kit		
5 kN	29883	\$4,314.00
10 kN	29884	\$4,314.00
23 kN	29885	\$4,314.00
50 kN	29886	\$5,835.00
NTEP Certified/OIML C3 4-Module Kit		
5 kN	29879	\$5,734.00
10 kN	29880	\$5,734.00
23 kN	29881	\$5,734.00
50 kN	29882	\$7,378.00
Non-NTEP Certified 3-Module Kit		
5 kN	17991	\$4,200.00
10 kN	17992	\$4,200.00
23 kN	17993	\$4,200.00
50 kN	17994	\$5,460.00
100 kN	17995	\$6,220.00
Non-NTEP Certified 4-Module Kit		
5 kN	17998	\$5,480.00
10 kN	17999	\$5,480.00
23 kN	18000	\$5,480.00
50 kN	18001	\$6,906.00
100 kN	18002	\$8,644.00
*Conduit adapter, 1/2-14 NPT	17703	\$50.00

*Must be factory installed

Dimensions

Rated Capacity	C	D	H	H1	*H2	**H2	H3	L	L1	L2	L3	L4	W	W1
kN/in														
5 to 23	0.44	0.44	3.58	1.25	0.50	0.75	3.06	7.51	3.00	4.00	3.00	0.50	4.00	3.00
50	0.56	0.56	4.66	1.50	0.62	1.00	4.09	9.19	3.87	5.00	3.87	0.56	5.00	3.87
100	0.69	0.69	6.41	2.00	0.75	1.25	5.73	11.46	4.75	6.00	4.75	0.69	6.00	4.75

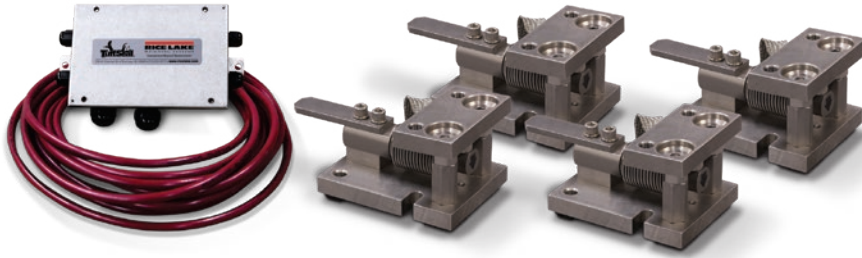
*Side stop and free sliding units **Fixed pin units



RL1700 HE

Light- to Medium-capacity Weigh Modules

LOAD CELLS /
WEIGH MODULES



Picture is a representation of actual product.

Order Information

Load Rating (Per Module)	Part #	Price
Single Module (Includes Load Cell)		
5 kg	32687	\$1,000.00
10 kg	32688	\$1,000.00
20 kg	32689	\$1,000.00
50 kg	32690	\$1,000.00
100 kg	32691	\$1,000.00
200 kg	32692	\$1,000.00
250 kg	32693	\$1,000.00
500 kg	32974	\$1,225.00
1,000 kg	32973	\$1,225.00
2,000 kg	32972	\$1,225.00
5,000 kg	32971	\$1,495.00
3-Module Kit		
5 kg	32920	\$3,215.00
10 kg	32921	\$3,215.00
20 kg	32922	\$3,215.00
50 kg	32923	\$3,215.00
100 kg	32924	\$3,215.00
200 kg	32925	\$3,215.00
250 kg	32926	\$3,215.00
500 kg	32980	\$3,875.00
1,000 kg	32981	\$3,875.00
2,000 kg	32982	\$3,875.00
5,000 kg	32983	\$4,785.00
4-Module Kit		
5 kg	32927	\$4,250.00
10 kg	32928	\$4,250.00
20 kg	32929	\$4,250.00
50 kg	32930	\$4,250.00
100 kg	32931	\$4,250.00
200 kg	32932	\$4,250.00
250 kg	32933	\$4,250.00
500 kg	32984	\$5,105.00
1,000 kg	32985	\$5,105.00
2,000 kg	32986	\$5,105.00
5,000 kg	32987	\$5,985.00

Dimensions

Rated Capacity	C	B	*H1	**H2	L	L1	L2	L3	L4	L5	W	W1	W2	W3
kg/mm														
5 to 250	13.1	1/2-20UNF	80.0	86.1	131.8	63.8	76.0	42.0	56.0	14.1	101.4	70.0	15.5	25.4
500 to 2,000	13.1	5/8-18UNF	101.6	109.4	165.1	71.2	129.5	15.5	75.5	60.0	110.0	70.0	20.0	31.8
5,000	19.8	3/4-10UNC	135.0	143.0	215.0	81.0	161.0	20.0	90.0	70.0	150.0	90.0	30.0	40.0

* In weighing position ** In jacked-up position for load cell shipping or removal

Complete Kit Includes

- Three or four RL1700 HE stainless steel compression mounts with NTEP Certified RL9018SS (5 to 250 kg) or RLHTO (500 to 5,000 kg) stainless steel, hermetically sealed single-ended beam load cells
- One JB4SS NEMA Type 4X stainless steel signal-trim junction box
- 25 ft of our hostile environment EL147HE SURVIVOR load cell cable

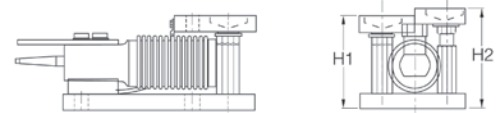
Standard Features

- Capacities (per module) 1,000 lb to 25,000 lb
- All stainless steel, weldless construction retains less residue and allows fast, thorough cleaning
- Bolt-in-place design; module bolts directly to tank leg without requiring additional load buttons or mounting plates
- Self-checking with lift-off/tip-over protection and jacking/shipping bolts
- Load cell is isolated from overload in all directions

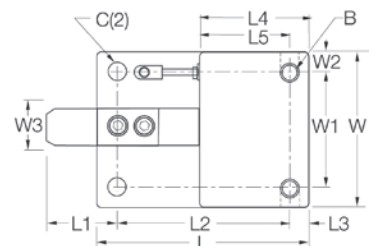
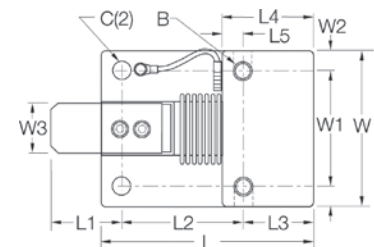
Applications

- Multi-ingredient micro-batching
- Meat and poultry processing
- Batching/blending
- Dye/ink blending

Load Cell Approvals



5 kg - 250 kg capacities

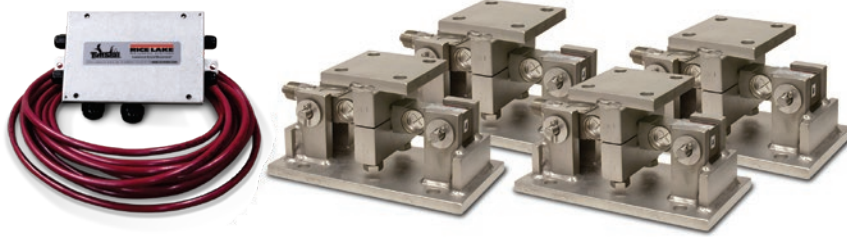


500 kg - 5000 kg capacities

RL1600 HE

Medium-capacity Weigh Modules

LOAD CELLS /
WEIGH MODULES



Picture is a representation of actual product.

Complete Kit Includes

- Three or four RL1600 HE stainless steel compression mounts with RL75016WHE stainless steel, hermetically sealed double-ended shear beam load cells
- One JB4SS NEMA Type 4X stainless steel signal trim junction box
- 25 ft of our hostile environment EL147HE SURVIVOR load cell cable

Standard Features

- All stainless steel construction
- Self-checking, easy-to-use design allows module to be bolted directly to tank leg without requiring additional mounting plates or load buttons
- Center loaded

Applications

- Medium-capacity tanks, bins and hoppers
- Bulk material management
- Ingredient batching, mixing and blending

Load Cell Approvals



Order Information

Load Rating (Per Module)	Part #	Price
Single Mount Does Not Include Load Cells		
1,000 to 5,000 lb	17813	\$685.00
10,000 to 25,000 lb	17815	\$1,345.00
3-Module Kit		
1,000 lb	46723	\$4,500.00
1,500 lb	119673	\$4,500.00
2,000 lb	119675	\$4,500.00
2,500 lb	46724	\$4,500.00
5,000 lb	46725	\$4,500.00
10,000 lb	46726	\$6,725.00
15,000 lb	46727	\$6,725.00
20,000 lb	84664	\$6,725.00
25,000 lb	46728	\$6,725.00
4-Module Kit		
1,000 lb	46729	\$5,865.00
1,500 lb	119674	\$5,865.00
2,000 lb	119676	\$5,865.00
2,500 lb	46730	\$5,865.00
5,000 lb	46731	\$5,865.00
10,000 lb	46732	\$8,800.00
15,000 lb	46733	\$8,800.00
20,000 lb	84665	\$8,800.00
25,000 lb	46734	\$8,800.00
Dummy Load Cells (Mild Steel)		
1,000 to 5,000 lb	18236	\$26.00
10,000 to 25,000 lb	18237	\$42.00

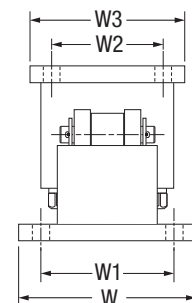
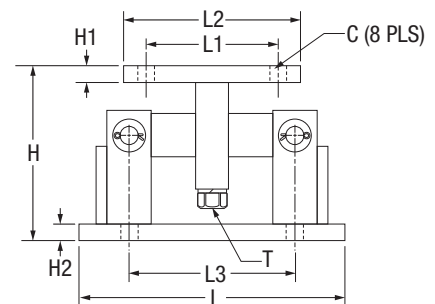
Shims*

Load Rating	Part #	Price
1,000 lb to 5,000 lb		
0.0625	150852	\$7.00
0.125	150853	\$12.00
0.250	150854	\$18.00
10,000 lb to 25,000 lb		
0.0625	150855	\$19.00
0.125	150856	\$30.00
0.250	150857	\$65.00

*Shims match the top plate

Dimensions

Rated Capacity	C	H	H1	H2	L	L1	L2	L3	T	W	W1	W2	W3
lb/in													
1,000 to 5,000	0.56	5.00	0.50	0.50	9.25	2.75	4.00	6.25	1/2-13 UNC	5.00	3.75	2.75	4.00
10,000 to 25,000	0.78	7.87	0.75	0.75	12.00	6.00	8.00	7.50	3/4-10 UNC	8.00	6.00	6.00	8.00



RL1855 HE-HS

Medium-capacity Weigh Modules

LOAD CELLS / WEIGH MODULES



Picture is a representation of actual product.

Complete Kit Includes

- Three or four RL1855 HE stainless steel mounts with RL32218S-HE NTEP Certified hermetically sealed stainless steel load cells
- One JB4SS NEMA Type 4X stainless steel signal trim junction box
- 25 ft of hostile environment EL147HE SURVIVOR load cell cable

Standard Features

- NTEP Certified load cells, 5,000 d Class III multiple load cell
- All stainless steel construction
- Self-checking design with lift off/tip off protection

Applications

- Medium-capacity hoppers, bins and tanks
- Batching/blending

Load Cell Approvals

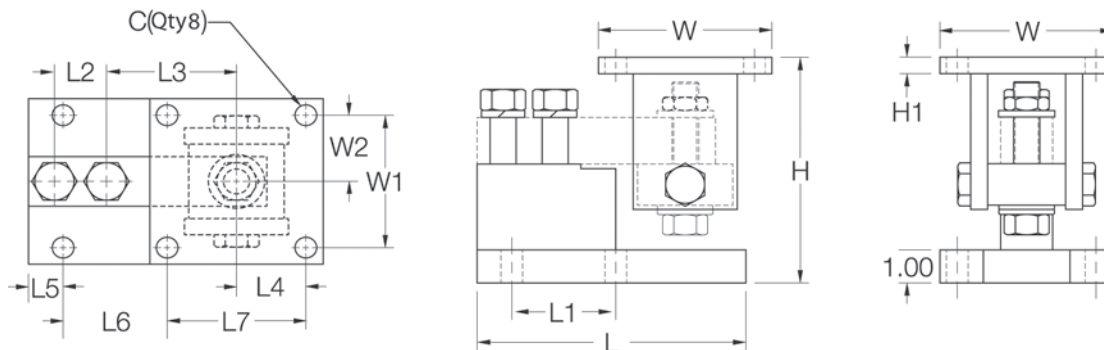


Order Information

Load Rating (Per Module)	Part #	Price
Single Modules (Includes Load Cell)		
1,000 lb	170857	\$1,065.00
2,500 lb	170858	\$1,065.00
4,000 lb	170859	\$1,065.00
5,000 lb	170860	\$1,150.00
10,000 lb	170861	\$1,150.00
3-Module Kit		
1,000 lb	170862	\$3,354.00
2,500 lb	170863	\$3,354.00
4,000 lb	170864	\$3,354.00
5,000 lb	170865	\$3,615.00
10,000 lb	170866	\$3,615.00
4-Module Kit		
1,000 lb	170867	\$4,360.00
2,500 lb	170868	\$4,360.00
4,000 lb	170869	\$4,360.00
5,000 lb	170870	\$4,765.00
10,000 lb	170871	\$4,765.00

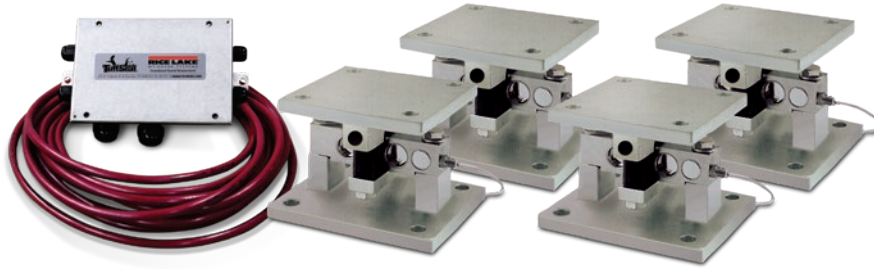
Dimensions

Rated Capacity C	H min/ max	H1	L	L1	L2	L3	L4	L5	L6	L7	W	W1	W2	
lb/in														
1,000 to 4,000	0.62	5.25/5.56	0.50	6.00	2.00	1.00	3.00	2.00	0.68	1.94	4.00	5.00	4.00	2.00
5,000 to 10,000	0.62	6.12/6.62	0.50	7.75	3.00	1.50	3.75	2.00	1.03	2.97	4.00	5.00	4.00	2.00



RL2100 HE

Heavy-capacity Weigh Modules



Picture is a representation of actual product.

LOAD CELLS / WEIGH MODULES

Complete Kit Includes

- Three or four RL2100 HE stainless steel compression mounts with NTEP Certified RL75060S or RL75058S-LP stainless steel, welded seal double-ended beam load cells
- One JB4SS NEMA Type 4X stainless steel signal-trim junction box
- 25 ft of our hostile environment EL147HE SURVIVOR load cell cable

Standard Features

- NTEP Certified load cells, 5,000 d, Class III L/10,000 d, Class III L multiple cell
- All stainless steel construction
- Bolt-in-place design; module bolts directly to tank leg without requiring additional load buttons or mounting plates
- Self-checking design with lift-off/tip-over protection

Applications

- Heavy-capacity tanks, blenders, reactors and bulk inventory management
- Petroleum refining process control
- Blending/batching

Load Cell Approvals

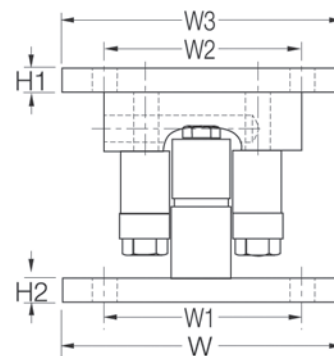
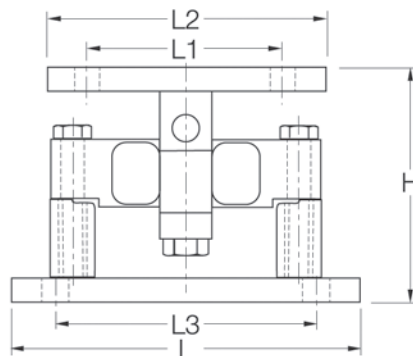
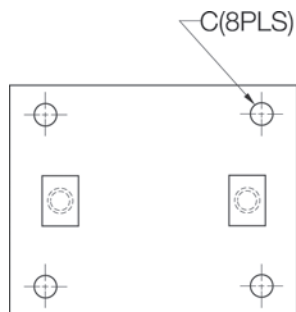


Order Information

Load Rating (Per Module)	Part #	Price
Single Module (Includes Load Cell)		
20,000 lb	32951	\$1,822.00
25,000 lb	65541	\$1,785.00
35,000 lb	32952	\$2,860.00
50,000 lb	32953	\$2,860.00
60,000 lb	32954	\$2,860.00
75,000 lb	32955	\$2,860.00
100,000 lb	32956	\$4,895.00
3-Module Kit		
20,000 lb	32970	\$5,608.00
25,000 lb	65984	\$5,608.00
35,000 lb	32969	\$8,861.00
50,000 lb	32968	\$8,861.00
60,000 lb	32967	\$8,861.00
75,000 lb	32966	\$8,861.00
100,000 lb	32965	\$14,583.00
4-Module Kit		
20,000 lb	32964	\$7,404.00
25,000 lb	65983	\$7,404.00
35,000 lb	32963	\$11,382.00
50,000 lb	32962	\$11,382.00
60,000 lb	32961	\$11,382.00
75,000 lb	32960	\$11,382.00
100,000 lb	32959	\$19,362.00

Dimensions

Rated Capacity	C	H	H1	H2	L	L1	L2	L3	W	W1	W2	W3
lb/in												
20,000 to 25,000	0.78	6.85	0.75	0.75	10.00	6.00	8.00	7.50	8.00	6.00	6.00	8.00
35,000 to 100,000	1.13	9.42	1.00	1.00	14.00	6.50	9.00	11.50	10.00	7.50	6.50	9.00



ITCM

Isolated Tension Cell Modules

LOAD CELLS /
WEIGH MODULES



Module with
RL20000I S-beam load cell

Picture is a representation of actual product.

Load Cell Approvals



Complete Kit Includes

- Three or four ITCM assemblies with RL20000I NTEP Certified S-beam load cells
- One JB4SS NEMA Type 4X stainless steel signal trim junction box
- 25 ft of hostile environment EL147HE SURVIVOR® load cell cable

Standard Features

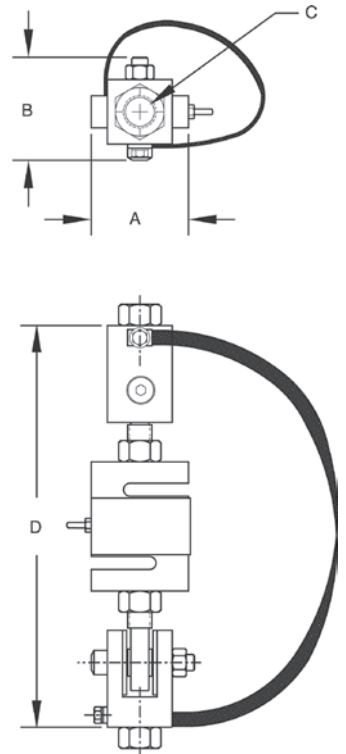
- Capacities (per module): 100 to 20,000 lb
- Clevis mounts with nylon insulating washers
- Zinc-plated clevis assemblies
- Load cell is completely isolated from stray currents (except 20,000 lb)
- Grounding strap provides alternative path to ground
- Complete package for ease of installation
- Provides correct loading even in difficult installations
- Lower overall height compared to other isolated tension assemblies

Applications

- Suspended hoppers and tanks
- Mechanical scale conversions
- Use as a single module or in multiples

Load Rating Dimensions Per Module

Load Cell Capacity lb/in	Dimensions				Single Module		3-Module Kit		4-Module Kit	
	A	B	C	D	Module	Price	Kit	Price	Kit	Price
100	2.00	1.81	3/8-16 UNC	7.00 (ref)	17851	\$566.00	18003	\$1,995.00	18027	\$2,573.00
			1/2-13 UNC		17831	\$566.00	18004	\$1,995.00	18028	\$2,573.00
150	2.00	1.81	3/8-16 UNC	7.00 (ref)	30337	\$566.00	30357	\$1,995.00	30359	\$2,573.00
			1/2-13 UNC		30336	\$566.00	30358	\$1,995.00	30360	\$2,573.00
200	2.00	1.81	3/8-16 UNC	7.00 (ref)	30335	\$566.00	30361	\$1,995.00	30363	\$2,573.00
			1/2-13 UNC		30338	\$566.00	30362	\$1,995.00	30364	\$2,573.00
250	2.00	1.81	3/8-16 UNC	7.00 (ref)	17852	\$566.00	18005	\$1,995.00	18029	\$2,573.00
			1/2-13 UNC		17832	\$566.00	18006	\$1,995.00	18030	\$2,573.00
500	2.68	2.68	1/2-13 UNC	9.50 (ref)	17853	\$619.00	18007	\$2,138.00	18031	\$2,762.00
			5/8-11 UNC		17858	\$619.00	18008	\$2,138.00	18032	\$2,762.00
			3/4-10 UNC		17833	\$619.00	18009	\$2,138.00	18033	\$2,762.00
750	2.68	2.68	1/2-13 UNC	9.50 (ref)	17854	\$619.00	18010	\$2,138.00	18034	\$2,762.00
			5/8-11 UNC		17859	\$619.00	18011	\$2,138.00	18035	\$2,762.00
			3/4-10 UNC		17834	\$619.00	18012	\$2,138.00	18036	\$2,762.00
1,000	2.68	2.68	1/2-13 UNC	9.50 (ref)	17855	\$619.00	18013	\$2,138.00	18037	\$2,762.00
			5/8-11 UNC		17860	\$619.00	18014	\$2,138.00	18038	\$2,762.00
			3/4-10 UNC		17835	\$619.00	18015	\$2,138.00	18039	\$2,762.00
1,500	2.68	2.68	1/2-13 UNC	9.50 (ref)	17856	\$619.00	18016	\$2,138.00	18040	\$2,762.00
			5/8-11 UNC		17861	\$609.00	18017	\$2,138.00	18041	\$2,762.00
			3/4-10 UNC		17836	\$609.00	18018	\$2,138.00	18042	\$2,762.00
2,000	2.68	2.68	1/2-13 UNC	9.50 (ref)	17857	\$609.00	18019	\$2,138.00	18043	\$2,762.00
			5/8-11 UNC		17862	\$619.00	18020	\$2,138.00	18044	\$2,762.00
			3/4-10 UNC		17837	\$619.00	18021	\$2,138.00	18045	\$2,762.00
2,500	2.68	2.68	5/8-11 UNC	9.50 (ref)	17863	\$619.00	18022	\$2,138.00	18046	\$2,762.00
			3/4-10 UNC		17838	\$619.00	18023	\$2,138.00	18047	\$2,762.00
3,000	3.37	3.37	3/4-10 UNC	10.50 (ref)	30339	\$646.00	30365	\$2,229.00	30366	\$2,873.00
5,000	3.37	3.37	3/4-10 UNC	12.25 (ref)	17864	\$842.00	18024	\$2,773.00	18048	\$3,657.00
			1-8 UNC		17839	\$842.00	18025	\$2,773.00	18049	\$3,657.00
10,000	3.37	3.37	1-8 UNC	12.25 (ref)	17840	\$842.00	18026	\$2,773.00	18050	\$3,657.00
15,000	4.00	4.12	1 1/4-7 UNC	18.00 (ref)	17960	\$1,756.00	30353	\$5,642.00	30354	\$7,406.00
20,000	5.00	4.12	1 1/2-6 UNC	20.00 (ref)	17961	\$2,064.00	30355	\$5,642.00	30356	\$8,630.00





Module with RL20000ST S-beam load cell

Complete Kit Includes

- Three or four ITCM assemblies with RL20000ST NTEP Certified S-beam load cells
- One JB4SS NEMA Type 4X stainless steel signal trim junction box
- 25 ft of hostile environment EL147HE SURVIVOR® load cell cable

Standard Features

- Capacities (per module): 100 to 5,000 lb
- Clevis mounts with nylon insulating washers
- PTFE lined rod-end ball joints
- Load cell is completely isolated from stray currents
- Grounding strap provides alternative path to ground
- Complete package for ease of installation
- Provides correct loading even in difficult installations
- Lower overall height compared to other isolated tension assemblies

Applications

- Suspended hoppers and tanks
- Mechanical scale conversions
- Use as a single module or in multiples

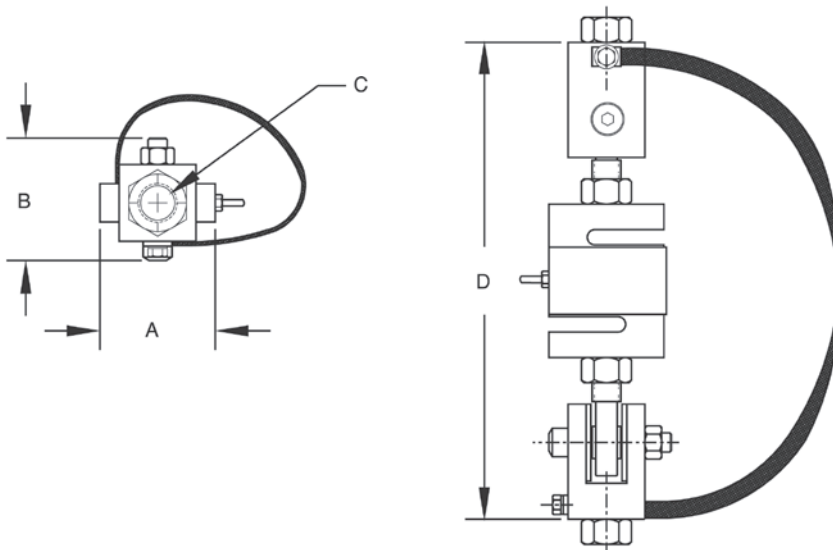
Picture is a representation of actual product.

Load Cell Approvals



Load Rating Dimensions Per Module

Load Cell Capacity lb/in	A	B	C	D	Single Module		3-Module Kit		4-Module Kit	
						Price		Price		Price
100	2.00	1.81	3/8-16 UNC	7.00 (ref)	46765	\$892.00	46735	\$2,809.00	46751	\$3,598.00
			1/2-13 UNC		46766	\$892.00	46736	\$2,809.00	46752	\$3,598.00
250	2.00	1.81	3/8-16 UNC	7.00 (ref)	46767	\$892.00	46737	\$2,809.00	46753	\$3,598.00
			1/2-13 UNC		46768	\$892.00	46738	\$2,809.00	46754	\$3,598.00
500	2.68	2.68	1/2-13 UNC	9.50 (ref)	46769	\$892.00	46739	\$2,809.00	46755	\$3,598.00
			5/8-11 UNC		46770	\$892.00	46740	\$2,809.00	46756	\$3,598.00
750	2.68	2.68	1/2-13 UNC	9.50 (ref)	46771	\$892.00	46741	\$2,809.00	46757	\$3,598.00
			5/8-11 UNC		46772	\$892.00	46742	\$2,809.00	46758	\$3,598.00
1,000	2.68	2.68	1/2-13 UNC	9.50 (ref)	46773	\$892.00	46743	\$2,809.00	46759	\$3,598.00
			5/8-11 UNC		46774	\$892.00	46744	\$2,809.00	46760	\$3,598.00
2,500	2.68	2.68	5/8-11 UNC	9.50 (ref)	46775	\$892.00	46745	\$2,809.00	46761	\$3,598.00
			3/4-10 UNC		46776	\$892.00	46746	\$2,809.00	46762	\$3,598.00
3,000	3.37	3.37	3/4-10 UNC	10.75 (ref)	46777	\$962.00	46747	\$3,105.00	46763	\$3,890.00
			3/4-10 UNC		46778	\$1,651.00	46748	\$5,103.00	46764	\$6,608.00



ITCM HE

Stainless Steel, Welded Seal, NTEP Certified Isolated Tension Cell Modules

LOAD CELLS /
WEIGH MODULES



Module with
RL20001HE S-beam load cell

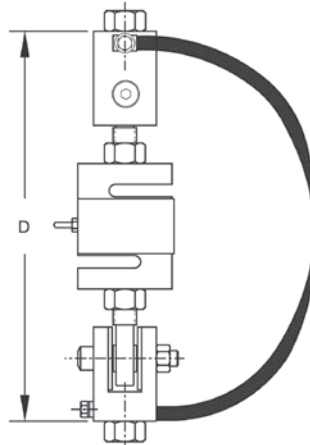
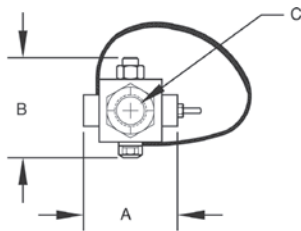
Picture is a representation of actual product.

Load Cell Approvals



Load Rating Dimensions Per Module

Load Cell Capacity lb/in	A	B	C	D	Single Module	Price	3-Module Kit	Price	4-Module Kit	Price
500	2.68	2.68	1/2-13 UNC	9.50 (ref)	46599	\$1,618.00	46561	\$4,702.00	46580	\$6,269.00
			5/8-11 UNC		46600	\$1,618.00	46562	\$4,702.00	46581	\$6,269.00
			3/4-10 UNC		46601	\$1,618.00	46563	\$4,702.00	46582	\$6,269.00
750	2.68	2.68	1/2-13 UNC	9.50 (ref)	46602	\$1,618.00	46564	\$4,702.00	46583	\$6,269.00
			5/8-11 UNC		46603	\$1,618.00	46565	\$4,702.00	46584	\$6,269.00
			3/4-10 UNC		46604	\$1,618.00	46566	\$4,702.00	46585	\$6,269.00
1,000	2.68	2.68	1/2-13 UNC	9.50 (ref)	46605	\$1,618.00	46567	\$4,702.00	46586	\$6,269.00
			5/8-11 UNC		46606	\$1,618.00	46568	\$4,702.00	46587	\$6,269.00
			3/4-10 UNC		46607	\$1,618.00	46569	\$4,702.00	46588	\$6,269.00
1,500	2.68	2.68	1/2-13 UNC	9.50 (ref)	46608	\$1,618.00	46570	\$4,702.00	46589	\$6,269.00
			5/8-11 UNC		46609	\$1,618.00	46571	\$4,702.00	46590	\$6,269.00
			3/4-10 UNC		46610	\$1,618.00	46572	\$4,702.00	46591	\$6,269.00
2,000	2.68	2.68	1/2-13 UNC	9.50 (ref)	46611	\$1,618.00	46573	\$4,702.00	46592	\$6,269.00
			5/8-11 UNC		46612	\$1,618.00	46574	\$4,702.00	46593	\$6,269.00
			3/4-10 UNC		46613	\$1,618.00	46575	\$4,702.00	46594	\$6,269.00
2,500	2.68	2.68	5/8-11 UNC	9.50 (ref)	46614	\$1,618.00	46576	\$4,702.00	46595	\$6,269.00
			3/4-10 UNC		46615	\$1,618.00	46577	\$4,702.00	46596	\$6,269.00
3,000	3.37	3.37	3/4-10 UNC	10.00 (ref)	46616	\$1,618.00	46578	\$4,702.00	46597	\$6,269.00
5,000	3.37	3.37	3/4-10 UNC	12.62 (ref)	46617	\$2,399.00	46579	\$7,042.00	46598	\$9,338.00



Complete Kit Includes

- Three or four ITCM assemblies with RL20001HE NTEP Certified S-beam load cells stainless steel, welded seal
- One JB4SS NEMA Type 4X stainless steel signal trim junction box
- 25 ft of hostile environment EL147HE SURVIVOR® load cell cable

Standard Features

- Capacities (per module): 500 to 5,000 lb
- Clevis mounts with nylon insulating washers
- PTFE lined rod-end ball joints
- Load cell is completely isolated from stray currents
- Grounding strap provides alternative path to ground
- Complete package for ease of installation
- Provides correct loading even in difficult installations
- Lower overall height compared to other isolated tension assemblies

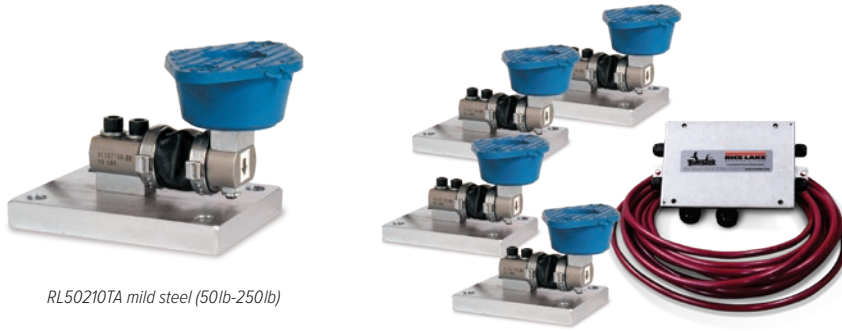
Applications

- Suspended hoppers and tanks
- Mechanical scale conversions
- Use as a single module or in multiples

RL50210TA

Mini Tank Weighing Module

LOAD CELLS /
WEIGH MODULES



RL50210TA mild steel (50lb-250lb)



Picture is a representation of actual product.

NTEP Certified 1,000lb mild steel load cell shown.

Load Cell Approvals



Complete Kit Includes

- Three or four neoprene isolation/compression mounts with NTEP Certified load cells
- 50 to 250 lb mild steel: RL50210
- 500 lb mild steel: RL30000
- 1,000 to 2,500 lb mild steel: RL32018
- 500 lb stainless steel: RL39123
- 1,000 to 2,500 lb stainless steel: RL32018S
- One JB4SS NEMA Type 4X stainless steel signal trim junction box
- 25 ft of hostile environment EL147HE SURVIVOR® load cell cable

Standard Features

- NTEP Certified load cells
- Zinc plated mild steel or stainless steel assemblies
- Weighing ranges from 50 to 2,500 lb per module
- Neoprene isolation mounts allow for minor misalignment, thermal expansion and shock absorption
- Overload stop provides durability

Optional Features

- Stainless steel modules available in 500 lb capacities with RL39123 stainless steel load cells

Applications

- Small tanks and hoppers
- Conveyor/In-motion weighing
- Small platform scales where minor shock loading may occur

Order Information

Load Rating (Per Module)	Part #	Price
Mild Steel Single Module (Includes Load Cell)		
50 lb	17844	\$470.00
100 lb	17845	\$470.00
150 lb	17846	\$470.00
250 lb	17847	\$470.00
500 lb	17848	\$625.00
1,000 lb	17849	\$625.00
2,000 lb	17948	\$625.00
2,500 lb	17949	\$625.00
Mild Steel 3-Module Kit		
50 lb	18051	\$1,645.00
100 lb	18052	\$1,645.00
150 lb	18053	\$1,645.00
250 lb	18054	\$1,645.00
500 lb	18055	\$2,135.00
1,000 lb	18056	\$2,135.00
2,000 lb	30398	\$2,135.00
2,500 lb	30396	\$2,135.00
Mild Steel 4-Module Kit		
50 lb	18057	\$2,115.00
100 lb	18058	\$2,115.00
150 lb	18059	\$2,115.00
250 lb	18060	\$2,115.00
500 lb	18061	\$2,700.00
1,000 lb	18062	\$2,700.00
2,000 lb	30397	\$2,700.00
2,500 lb	30395	\$2,700.00

RL50210TA

Mini Tank Weighing Module

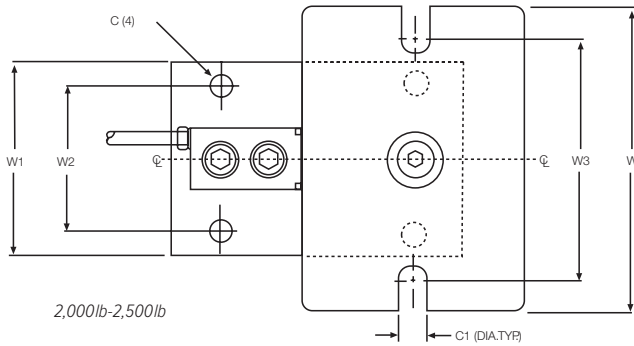
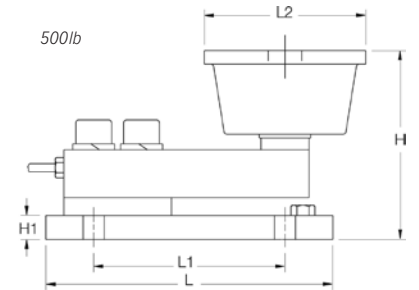
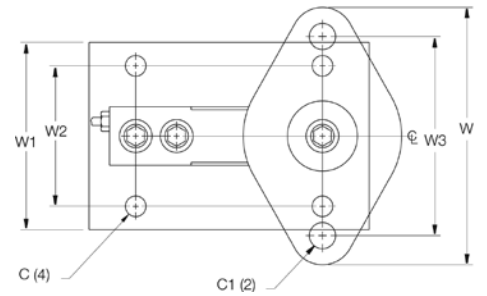
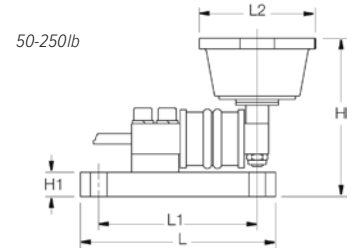
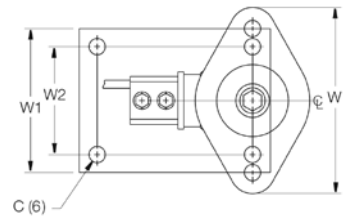
LOAD CELLS /
WEIGH MODULES

Order Information

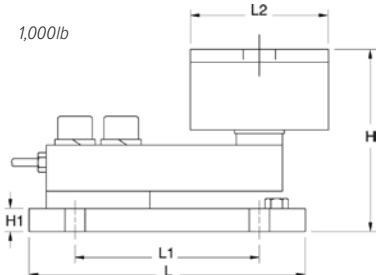
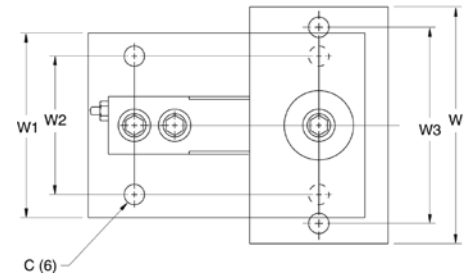
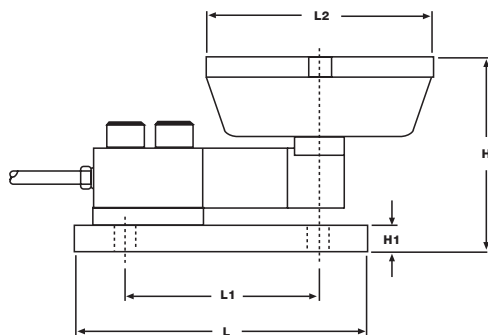
Load Rating (Per Module)	Part #	Price
Stainless Steel Single Module (Includes Load Cell)		
500 lb	17954	\$735.00
1,000 lb	17955	\$695.00
2,000 lb	17956	\$695.00
2,500 lb	17957	\$695.00
Stainless Steel 3-Module Kit		
500 lb	30394	\$2,435.00
1,000 lb	30404	\$2,435.00
2,000 lb	30402	\$2,435.00
2,500 lb	30400	\$2,435.00
Stainless Steel 4-Module Kit		
500 lb	30393	\$3,190.00
1,000 lb	30403	\$3,190.00
2,000 lb	30401	\$3,190.00
2,500 lb	30399	\$3,190.00

Dimensions

Rated Capacity	C	C1	H	H1	L	L1	L2	W	W1	W2	W3
lb/in											
50 to 250	0.34	-	3.13	0.50	4.00	3.25	2.38	3.88	3.00	2.25	-
500	0.44	0.56	3.88	0.50	6.00	4.00	3.38	5.50	4.00	3.00	4.13
1,000	0.44	-	4.00	0.50	6.00	4.00	3.00	5.13	4.00	3.00	4.13
2,000 to 2,500	0.44	0.56	4.00	0.50	6.00	4.00	4.62	6.25	4.00	3.00	5.00



2,000lb-2,500lb





NTEP Certified 1,000lb load cell shown.

65059 mild steel (50lb-250lb)

Picture is a representation of actual product.

Load Cell Approvals



Order Information

Load Rating (Per Module)	Part #	Price
Mild Steel Single Module (Includes Load Cell)		
50 lb	17825	\$470.00
100 lb	17826	\$470.00
150 lb	17827	\$470.00
250 lb	17828	\$470.00
500 lb	17829	\$625.00
1,000 lb	17830	\$625.00
2,000 lb	17946	\$625.00
2,500 lb	17947	\$625.00
Mild Steel 3-Module Kit		
50 lb	18063	\$1,645.00
100 lb	18064	\$1,645.00
150 lb	18065	\$1,645.00
250 lb	18066	\$1,645.00
500 lb	18067	\$2,135.00
1,000 lb	18068	\$2,135.00
2,000 lb	30413	\$2,088.00
2,500 lb	30412	\$2,135.00
Mild Steel 4-Module Kit		
50 lb	18069	\$2,115.00
100 lb	18070	\$2,115.00
150 lb	18071	\$2,115.00
250 lb	18072	\$2,115.00
500 lb	18073	\$2,700.00
1,000 lb	18074	\$2,645.00
2,000 lb	30414	\$2,700.00
2,500 lb	30411	\$2,700.00

Complete Kit Includes

- Three or four neoprene isolation/compression mounts with NTEP Certified load cells
- 50 to 250 lb mild steel: 60040
- 500 lb mild steel: 65023-500-0107
- 1,000 to 2,500 lb mild steel: 65023A1K-5107
- 500 lb stainless steel: 65023-500-0113
- 1,000 to 2,500 lb stainless steel: 65023S1K-5113
- One JB4SS NEMA Type 4X stainless steel signal trim junction box
- 25 ft of hostile environment EL147HE SURVIVOR® load cell cable

Standard Features

- Zinc plated, mild steel modules
- Lower weighing ranges from 50 to 500 lb per module
- Environmentally protected load cells
- Neoprene isolation/compression mounts allow for minor misalignment, thermal expansion and shock absorption
- Overload stop for 500 lb modules provides durability

Applications

- Small tanks and hoppers
- Conveyor/In-motion weighing
- Small platform scales where minor shock loading may occur

65059

Mini Tank Weighing Module, VPG Sensortronics

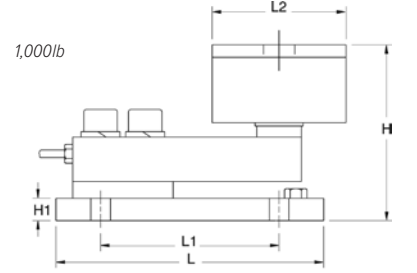
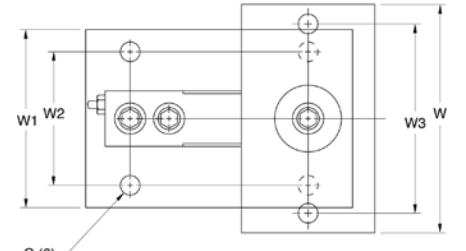
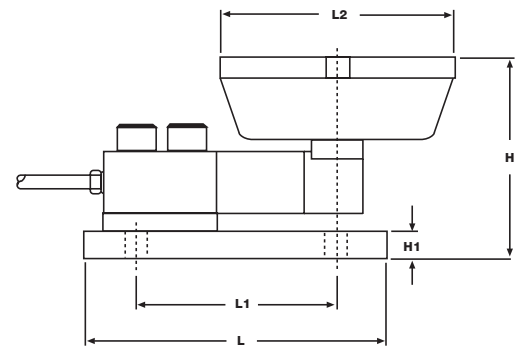
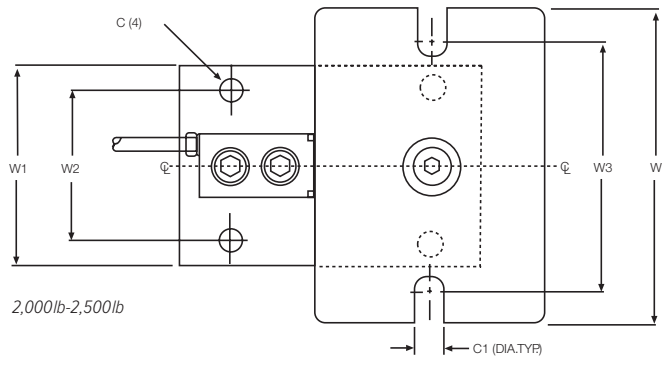
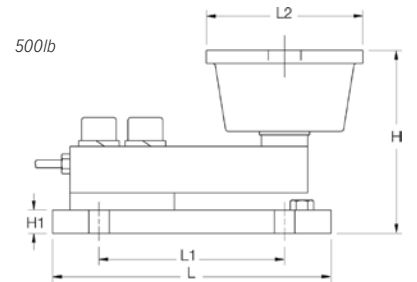
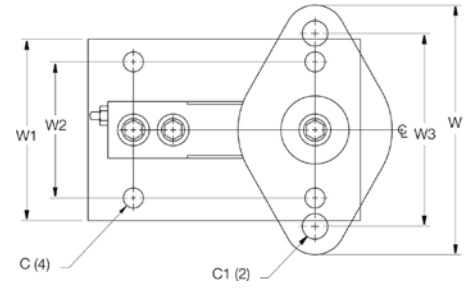
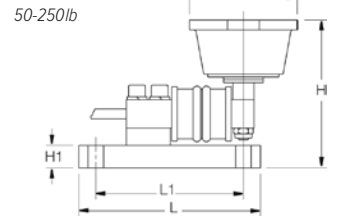
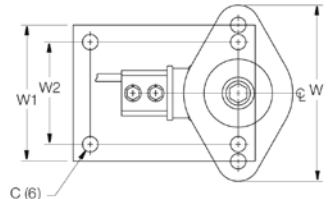
LOAD CELLS /
WEIGH MODULES

Order Information

Load Rating (Per Module)	Part #	Price
Stainless Steel Single Module (Includes Load Cell)		
500 lb	17950	\$735.00
1,000 lb	17951	\$735.00
2,000 lb	17952	\$735.00
2,500 lb	17953	\$735.00
Stainless Steel 3-Module Kit		
500 lb	30392	\$2,435.00
1,000 lb	30410	\$2,435.00
2,000 lb	30408	\$2,435.00
2,500 lb	30406	\$2,435.00
Stainless Steel 4-Module Kit		
500 lb	30391	\$3,190.00
1,000 lb	30409	\$3,190.00
2,000 lb	30407	\$3,190.00
2,500 lb	30405	\$3,190.00

Dimensions

Rated Capacity	C	C1	H	H1	L	L1	L2	W	W1	W2	W3
lb/in											
50 to 250	0.34	-	3.13	0.50	4.00	3.25	2.38	3.88	3.00	2.25	-
500	0.44	0.56	3.88	0.50	6.00	4.00	3.38	5.50	4.00	3.00	4.13
1,000	0.44	-	4.00	0.50	6.00	4.00	3.00	5.13	4.00	3.00	4.13
2,000 to 2,500	0.44	0.56	4.00	0.50	6.00	4.00	4.62	6.25	4.00	3.00	5.00



RL50219SS-TA

Mini Tank Weighing Module, Stainless Steel

LOAD CELLS /
WEIGH MODULES



RL50219SS-TA stainless (50lb-250lb)

Picture is a representation of actual product.

Complete Kit Includes

- Three or four neoprene isolation/compression mounts with load cells
- 50 to 250 lb model: RL50219SS
- 500 lb model: stainless steel single-ended beam
- One JB4SS NEMA Type 4X stainless steel signal trim junction box
- 25 ft of hostile environment EL147HE SURVIVOR® load cell cable

Standard Features

- Stainless steel modules
- Lower weighing ranges from 50 to 500 lb per module
- Environmentally protected load cells
- Neoprene isolation/compression mounts allow for minor misalignment, thermal expansion and shock absorption
- Overload stop for 500 lb modules provides durability

Applications

- Small tanks and hoppers
- Conveyor/In-motion weighing
- Small platform scales where minor shock loading may occur

Order Information

Load Rating (Per Module)	Part #	Price
Single Module (Includes Load Cell)		
50 lb	196829	\$710.00
75 lb	196830	\$710.00
100 lb	196831	\$710.00
150 lb	196832	\$710.00
250 lb	196833	\$710.00
500 lb	17954	\$735.00
3-Module Kit		
50 lb	196840	\$2,410.00
75 lb	196841	\$2,410.00
100 lb	196842	\$2,410.00
150 lb	196843	\$2,410.00
250 lb	196844	\$2,410.00
500 lb	30394	\$2,435.00
4-Module Kit		
50 lb	196845	\$3,115.00
75 lb	197015	\$3,115.00
100 lb	196846	\$3,115.00
150 lb	196848	\$3,115.00
250 lb	196849	\$3,115.00
500 lb	30393	\$3,190.00

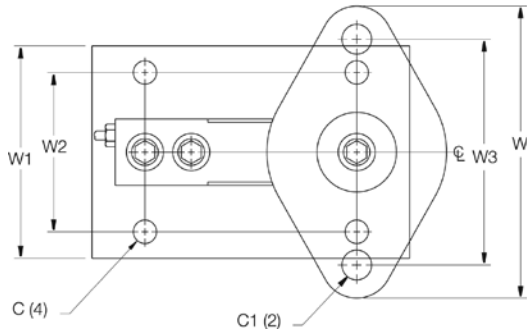
RL50219SS-TA

Mini Tank Weighing Module, Stainless Steel

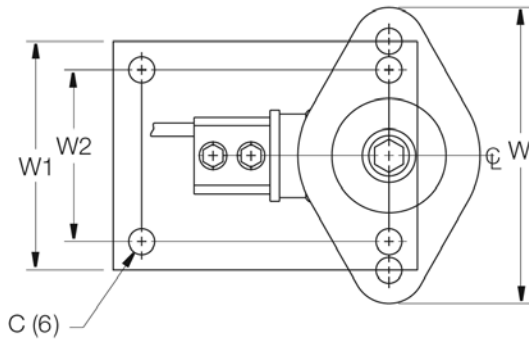
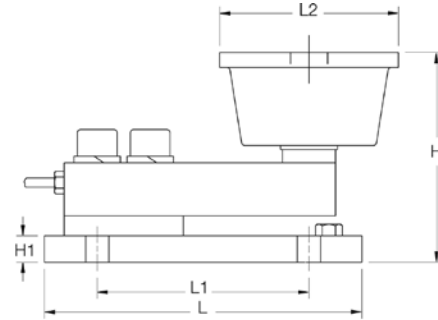
LOAD CELLS /
WEIGH MODULES

Dimensions

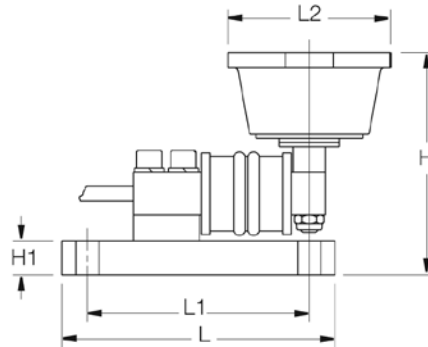
Rated Capacity	C	C1	H	H1	L	L1	L2	W	W1	W2	W3
lb/in											
50 to 250	0.34	-	3.13	0.50	4.00	3.25	2.38	3.88	3.00	2.25	-
500	0.44	0.56	3.88	0.50	6.00	4.00	3.38	5.50	4.00	3.00	4.13

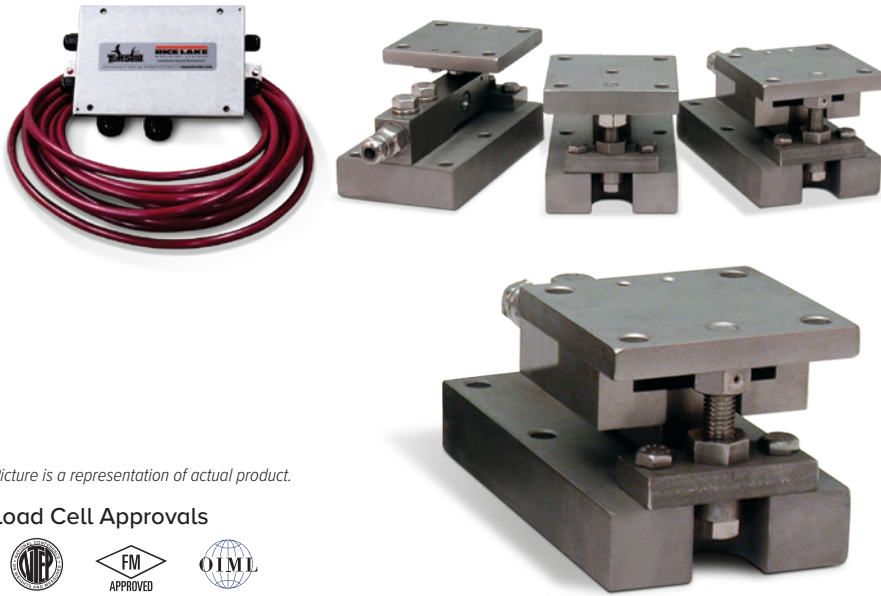


500lb



50-250lb





Picture is a representation of actual product.

Load Cell Approvals



Complete Kit Includes

- One fixed-pin module, one side-stop module, and one or two free-sliding assemblies. Each module is complete with a NTEP Certified Flintec SB5 stainless steel environmentally protected load cell.
- One JB4SS NEMA Type 4X stainless steel signal trim junction box
- 25 ft of hostile environment EL147HE SURVIVOR® load cell cable

Standard Features

- Capacities (per module): 5 to 20 kN
- NTEP Certified 1:5000d, Class II load cells
- Unique design allows for thermal expansion/contraction
- Jacking screw allows empty vessel to be lifted clear of load cell for maintenance
- Unique blind load hole eliminates unwanted side and eccentric loads
- Vessel is free to slide laterally on PTFE-coated surfaces
- mV/V/ohm load cell outputs allow for replacement without further calibration

Applications

- Light- to medium-capacity tanks and hoppers
- Process measurement and control

Order Information

Load Rating (Per Module)	Part #	Price
NTEP Certified 3-Module Kits		
5 kN	33683	\$2,665.00
10 kN	33682	\$2,665.00
20 kN	33681	\$2,665.00
50 kN	33680	\$3,055.00
NTEP Certified 4-Module Kits		
5 kN	33678	\$3,553.00
10 kN	33677	\$3,553.00
20 kN	33676	\$3,553.00
50 kN	33675	\$4,372.00
Non-NTEP Certified 3-Module Kit		
100 kN	33679	\$4,832.00
Non-NTEP Certified 4-Module Kit		
100 kN	33674	\$4,832.00

NOTE: 1 kN=224.8 lb

Paramounts® EP

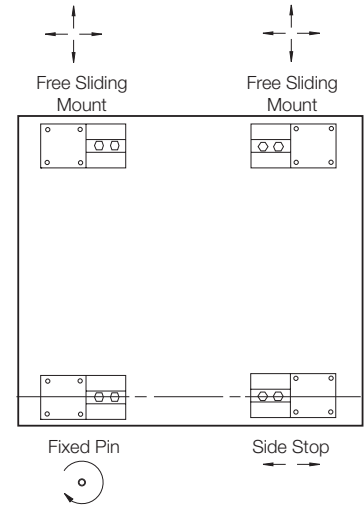
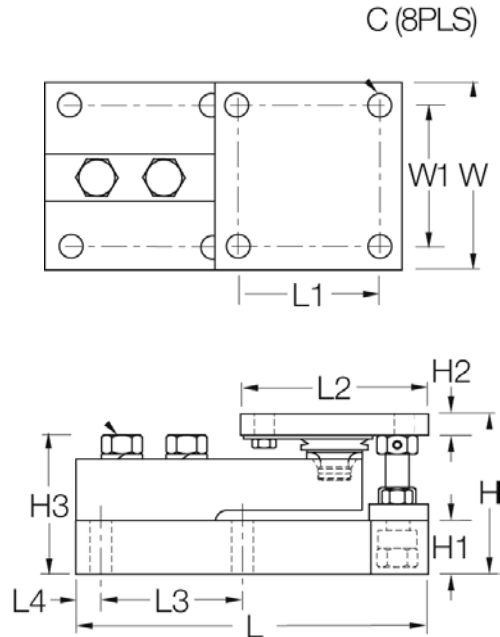
Environmentally Protected, Mild Steel, Light- to Medium-capacity Tank Weighing Systems

LOAD CELLS /
WEIGH MODULES

Dimensions

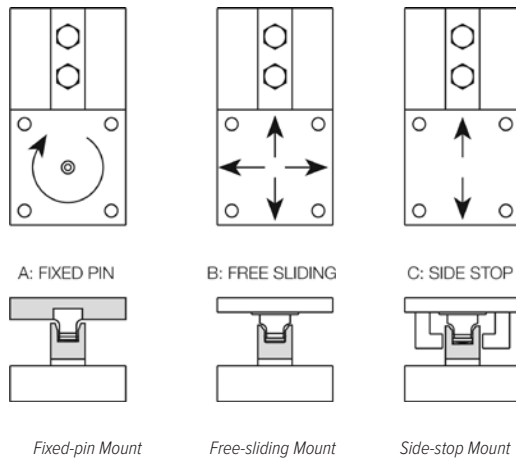
Rated Capacity	C	H	H1	*H2	**H2	H3	L	L1	L2	L3	L4	W	W1
kN/in													
5 to 20	0.44	3.58	1.25	0.50	0.75	3.06	7.51	3.00	4.00	3.00	0.50	4.00	3.00
50	0.56	4.66	1.50	0.62	1.00	4.09	9.19	3.87	5.00	3.87	0.56	5.00	3.87
100	0.69	6.41	2.00	0.75	1.25	5.73	11.46	4.75	6.00	4.75	0.69	6.00	4.75

* Side-stop and free-sliding units ** Fixed-pin units



VESSEL ARRANGEMENT

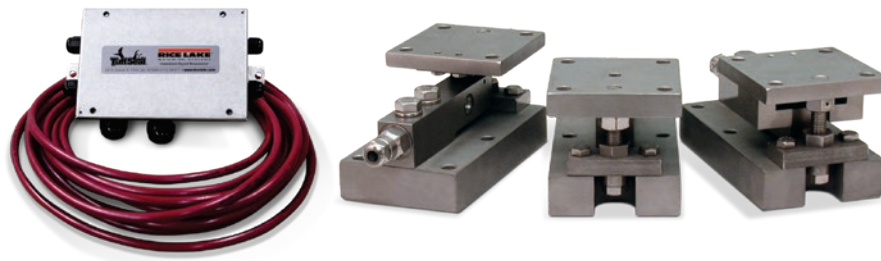
When arranged as illustrated, the vessel is fixed at one corner but is able to slide freely as indicated. This ensures there is minimal side loading on the cells and at the same time the vessel is self-checking. The unique, patented blind load hole technology used in these mounts introduces the load at the neutral axis of the load cell which helps minimize the effects of side loads.



Fixed-pin Mount

Free-sliding Mount

Side-stop Mount



Picture is a representation of actual product.

Load Cell Approvals

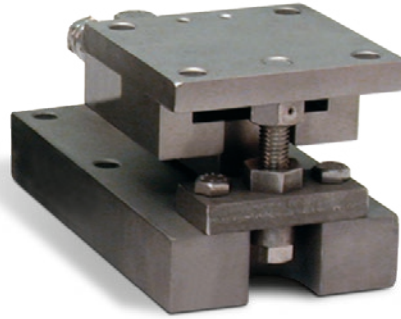


Complete Kit Includes

- One fixed-pin module, one side-stop module, and one or two free-sliding assemblies. Each module is complete with a Flintec SB4 NTEP Certified, stainless steel, hermetically sealed load cell.
- One JB4SS NEMA Type 4X stainless steel signal trim junction box
- 25 ft of hostile environment EL147HE SURVIVOR® load cell cable

Standard Features

- Capacities (per module): 5 kN to 100 kN
- Unique design allows for thermal expansion/contraction
- Jacking screw allows empty vessel to be lifted clear of load cell for maintenance
- Unique blind load hole eliminates unwanted side and eccentric loads
- Vessel is free to slide laterally on PTFE-coated surfaces
- Load cell outputs are matched to $\pm 0.07\%$ allowing replacement without further calibration



Applications

- Light- to medium-capacity tanks and hoppers
- Mixers and blenders
- Process measurement and control

Order Information

Load Rating (Per Module)	Part #	Price
NTEP Certified 3-Module Kit		
5 kN	29871	\$3,370.00
10 kN	29872	\$3,370.00
23 kN	29873	\$3,370.00
50 kN	29874	\$4,000.00
NTEP Certified 4-Module Kit		
5 kN	29875	\$4,535.00
10 kN	29876	\$4,535.00
23 kN	29877	\$4,535.00
50 kN	29878	\$5,135.00
Non-NTEP Certified 3-Module Kit		
5 kN	17977	\$3,265.00
10 kN	17978	\$3,265.00
23 kN	17979	\$3,265.00
50 kN	17980	\$3,962.00
100 kN	17981	\$5,090.00

Load Rating (Per Module)	Part #	Price
Non-NTEP Certified 4-Module Kit		
5 kN	17984	\$4,282.00
10 kN	17985	\$4,282.00
23 kN	17986	\$4,282.00
50 kN	17987	\$4,875.00
100 kN	17988	\$6,160.00
Conduit Adapter Kit (must be factory installed to maintain warranty)		
1/2-14 NPT	17703	\$50.00

Paramounts® HS

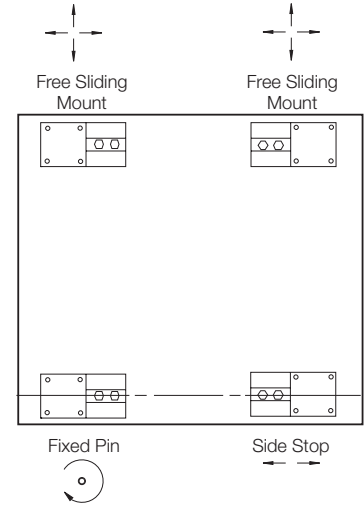
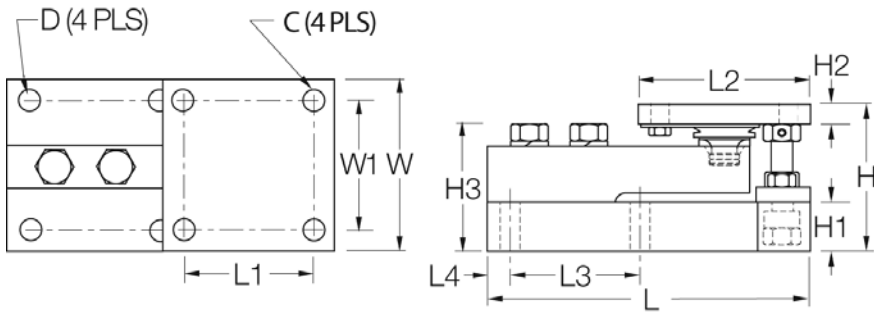
Hermetically Sealed, Mild Steel, Light- to Medium-capacity Tank Weighing Systems

LOAD CELLS / WEIGH MODULES

Dimensions

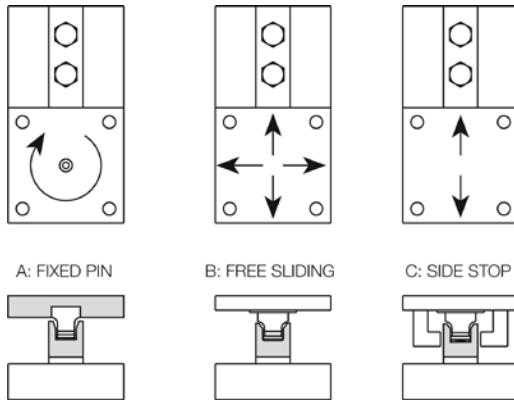
Rated Capacity	C	D	H	H1	*H2	**H2	H3	L	L1	L2	L3	L4	W	W1
5 kN to 23 kN	0.44	0.44	3.58	1.25	0.50	0.75	3.06	7.51	3.00	4.00	3.00	0.50	4.00	3.00
50 kN	0.56	0.56	4.66	1.50	0.62	1.00	4.09	9.19	3.87	5.00	3.87	0.56	5.00	3.87
100 kN	0.69	0.69	6.41	2.00	0.75	1.25	5.73	11.46	4.75	6.00	4.75	0.69	6.00	4.75

* Side-stop and free-sliding units ** Fixed-pin units



VESSEL ARRANGEMENT

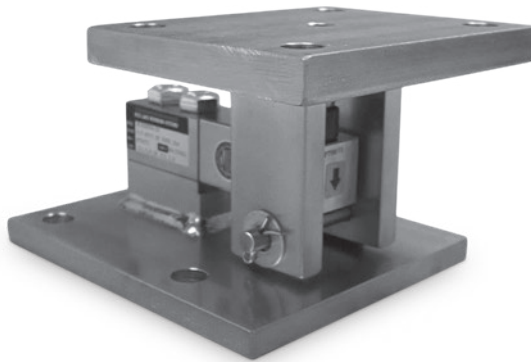
When arranged as illustrated, the vessel is fixed at one corner but is able to slide freely as indicated. This ensures there is minimal side loading on the cells and at the same time the vessel is self-checking. The unique, patented blind load hole technology used in these mounts introduces the load at the neutral axis of the load cell which helps minimize the effects of side loads.



Fixed-pin Mount

Free-sliding Mount

Side-stop Mount



Picture is a representation of actual product.

Standard Features

- Capacities (per module): 250 to 5,000 lb SE
- Zinc plated, mild steel construction or stainless steel construction
- Self-checking, multi-directional movement
- Design incorporates a ball and cup for self-centering
- The RLBTM will accommodate a standard shear beam 250 to 5,000 lb SE load cell that has a threaded load hole such as the RL30000, RL39123, RL35023, RL35082 and RL35083

Applications

- Light- to medium-capacity tanks and hoppers
- Conveyors

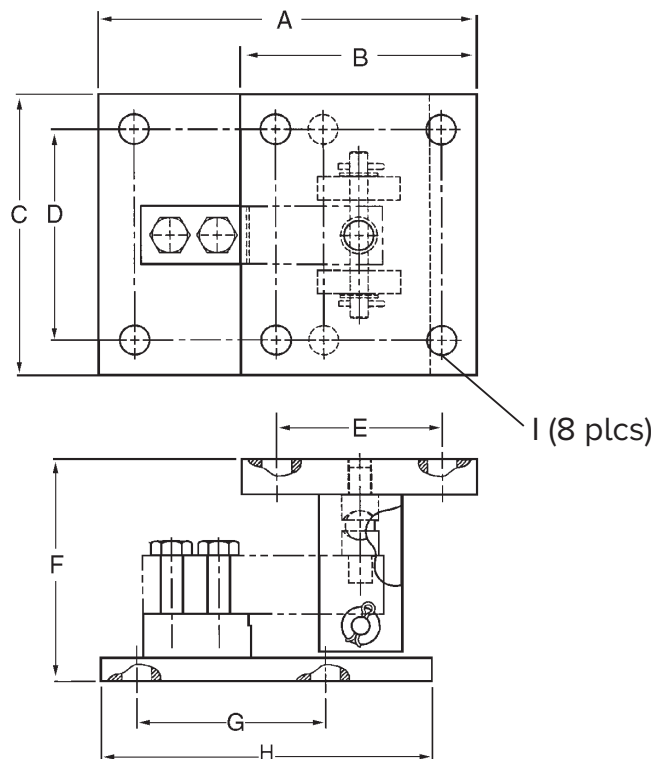
Order Information

Load Rating (Per Module)	Part #	Price
Single Module Mild Steel		
250 lb to 5,000 lb SE	53059	\$430.00
Single Module Stainless Steel		
250 lb to 5,000 lb SE	53066	\$655.00

Dimensions

Rated Capacity	A	B	C	D	E	F	G	H	I
250 to 5,000 SE	8.00	5.00	6.00	4.50	3.50	4.75	4.00	7.00	0.63

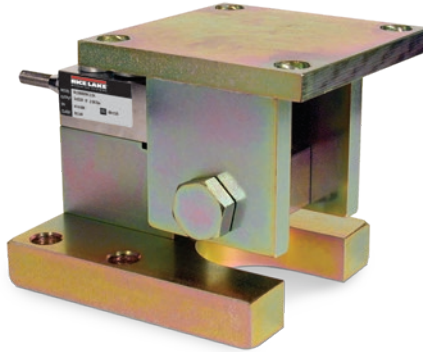
SE refers to small envelope



RL1800 Series

Mild Steel/Stainless Steel Weigh Modules

LOAD CELLS /
WEIGH MODULES



Picture is a representation of actual product.

Load Cell Approvals



Except 250lb

Mild Steel Order Information

Load Rating (Per Module)	Part #	Price
Single Module (Does NOT Include Load Cell)		
250 lb to 5,000 lb SE	17817	\$399.00
5,000 lb LE to 10,000 lb	17819	\$428.00
3-Module Kit		
250 lb*	18075	\$2,350.00
500 lb	18076	\$2,350.00
1,000 lb	18077	\$2,350.00
2,000 lb	18078	\$2,350.00
2,500 lb	18079	\$2,350.00
3,000 lb	18080	\$2,350.00
4,000 lb	18081	\$2,350.00
5,000 lb SE	18082	\$2,350.00
5,000 lb LE	18083	\$2,700.00
10,000 lb	18084	\$2,700.00
4-Module Kit		
250 lb*	18085	\$3,050.00
500 lb	18086	\$3,050.00
1,000 lb	18087	\$3,050.00
2,000 lb	18088	\$3,050.00
2,500 lb	18089	\$3,050.00
3,000 lb	18090	\$3,050.00
4,000 lb	18091	\$3,050.00
5,000 lb SE	18092	\$3,050.00
5,000 lb LE	18093	\$3,500.00
10,000 lb	18094	\$3,500.00

SE=Small envelope; LE=Large envelope

* Non-NTEP

Stainless Steel Order Information

Load Rating (Per Module)	Part #	Price
Single Module (Does NOT Include Load Cell)		
250 lb to 4,000 lb	17818	\$640.00
5,000 lb to 10,000 lb	17820	\$675.00
3-Module Kit		
1,000 lb	18095	\$3,190.00
2,000 lb	18096	\$3,190.00
2,500 lb	18097	\$3,190.00
4,000 lb	18099	\$3,190.00
5,000 lb LE	18100	\$3,445.00
10,000 lb	18101	\$3,445.00
4-Module Kit		
1,000 lb	18102	\$4,250.00
2,000 lb	18103	\$4,250.00
2,500 lb	18104	\$4,250.00
4,000 lb	18106	\$4,250.00
5,000 lb LE	18107	\$4,595.00
10,000 lb	18108	\$4,595.00
Dummy Cell		
Dummy load cell 1 k to 5 k SE	22980	\$53.00

Complete Kit Includes

- Three or four RL1800 mild steel or stainless steel compression mounts with NTEP Certified RL32018 single-ended beam load cells, RL32018S used in stainless steel
- One JB4SS NEMA Type 4X stainless steel signal trim junction box
- 25 ft of hostile environment EL147HE SURVIVOR® load cell cable

Standard Features

- Capacities (per module): 250 to 10,000 lb
- NTEP Certified cells in 500 to 10,000 lb capacities, except 3,000 lb
- Zinc plated mild steel/stainless steel construction
- Center-pivoted, tension loading design
- Self-checking, multi-directional movement
- Load is suspended on high-strength bolt instead of wire rope
- Design incorporates spherical washers for self centering

Applications

- Conveyors
- Medium-capacity tanks and hoppers
- Mixers and blenders
- Process measurement and control

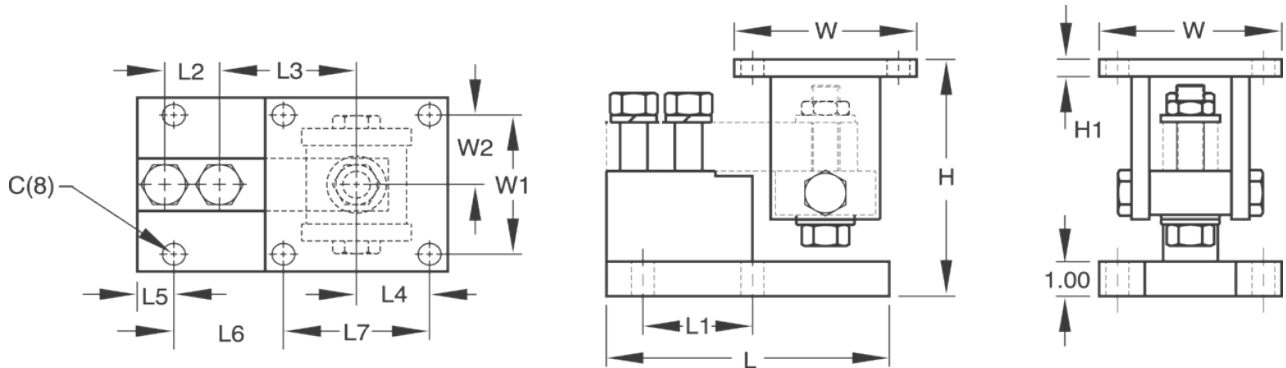
RL1800 Series

Mild Steel/Stainless Steel Weigh Modules

LOAD CELLS /
WEIGH MODULES

Dimensions

Rated Capacity	C	H Min/Max	H1	L	L1	L2	L3	L4	L5	L6	L7	W	W1	W2
Mild Steel Construction														
lb/in														
250 to 5,000SE	0.62	5.25/5.56	0.50	6.00	2.00	1.00	3.00	2.00	0.68	1.94	4.00	5.00	4.00	2.00
5,000LE to 10,000	0.62	6.12/6.62	0.50	7.75	3.00	1.50	3.75	2.00	1.03	2.97	4.00	5.00	4.00	2.00
Stainless Steel Construction														
lb/in														
1,000 to 4,000	0.62	5.25/5.56	0.50	6.00	2.00	1.00	3.00	2.00	0.68	1.94	4.00	5.00	4.00	2.00
5,000 to 10,000	0.62	6.12/6.62	0.50	7.75	3.00	1.50	3.75	2.00	1.03	2.97	4.00	5.00	4.00	2.00



RL1800 Series Coated Load Cell Version

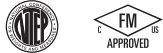
Stainless Steel Weigh Modules

LOAD CELLS /
WEIGH MODULES



Picture is a representation of actual product.

Load Cell Approvals



Stainless Steel Order Information

Load Rating (Per Module)	Part #	Price
Single Module (Does NOT Include Load Cell)		
1,000 lb-4,000 lb	17818	\$640.00
5,000 lb-10,000 lb	17820	\$675.00
3-Module Kit		
1,000 lb	219894	\$3,150.00
1,500 lb	219896	\$3,150.00
2,000 lb	219898	\$3,150.00
2,500 lb	219900	\$3,150.00
3,000 lb	219902	\$3,150.00
4,000 lb	219904	\$3,150.00
5,000SE lb	219906	\$3,150.00
5,000LE lb	219908	\$3,540.00
10,000 lb	219910	\$3,540.00
4-Module Kit		
1,000 lb	219895	\$4,140.00
1,500 lb	219897	\$4,140.00
2,000 lb	219899	\$4,140.00
2,500 lb	219901	\$4,140.00
3,000 lb	219903	\$4,140.00
4,000 lb	219905	\$4,140.00
5,000SE lb	219907	\$4,140.00
5,000LE lb	219909	\$4,650.00
10,000 lb	219911	\$4,650.00

SE=Small envelope; LE=Large envelope

Dimensions

Rated Capacity	C	H Min/Max	H1	L	L1	L2	L3	L4	L5	L6	L7	W	W1	W2
lb/in														
1,000 to 5,000SE	0.62	5.25/5.56	0.50	6.00	2.00	1.00	3.00	2.00	0.68	1.94	4.00	5.00	4.00	2.00
5,000LE to 10,000	0.62	6.12/6.62	0.50	7.75	3.00	1.50	3.75	2.00	1.03	2.97	4.00	5.00	4.00	2.00

Complete Kit Includes

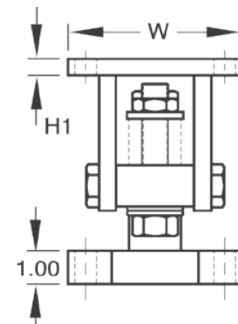
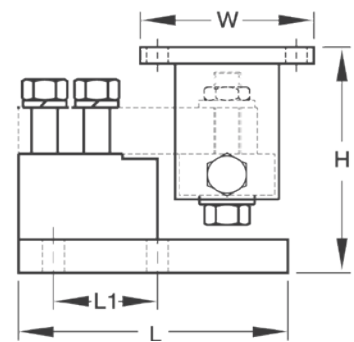
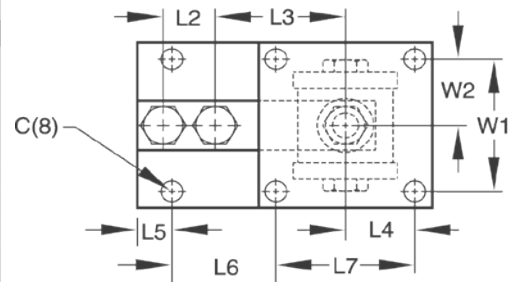
- Three or four RL1800 stainless steel compression mounts with RL32018 coated NTEP Certified stainless steel single-ended beam load cells
- One JB4SS NEMA Type 4X stainless steel signal trim junction box
- 25 ft of hostile environment EL147HE SURVIVOR® load cell cable

Standard Features

- Capacities (per module): 1,000 to 10,000 lb
- NTEP Certified cells in 1,000 to 10,000 lb capacities
- Stainless steel mounts
- Center-pivoted, tension loading design
- Self-checking, multi-directional movement
- Load is suspended on high-strength bolt instead of wire rope
- Design incorporates spherical washers for self centering
- Coated load cells for corrosion protection

Applications

- Conveyors
- Medium-capacity tanks and hoppers



RL1900 Series

Stainless Steel Weigh Modules

LOAD CELLS /
WEIGH MODULES



Picture is a representation of actual product.

Load Cell Approvals

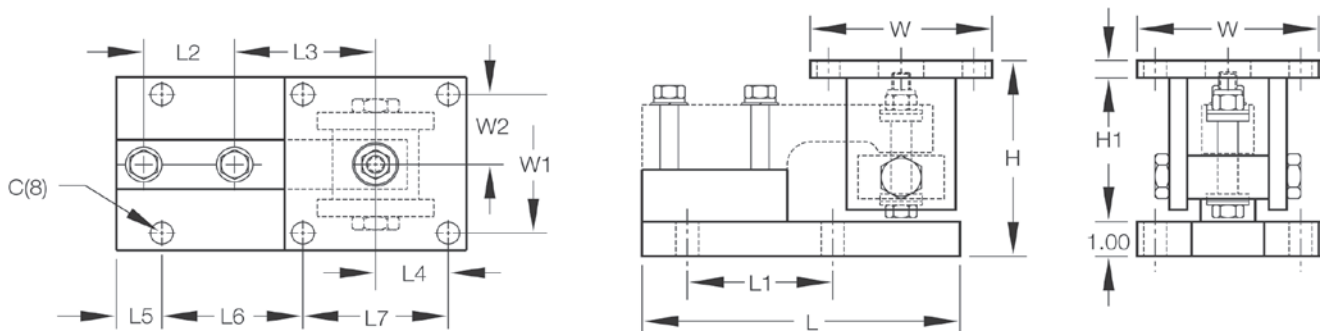


Order Information

Load Rating (Per Module)	Part #	Price
Single Module (Does NOT Include Load Cell)		
1,000 lb to 5,000 lb	17841	\$700.00
10,000 lb	17843	\$760.00
3-Module Kit		
1,000 lb	18109	\$4,285.00
2,000 lb	18110	\$4,285.00
5,000 lb	18111	\$4,285.00
10,000 lb	18112	\$4,770.00
4-Module Kit		
1,000 lb	18113	\$5,710.00
2,000 lb	18114	\$5,710.00
5,000 lb	18115	\$5,710.00
10,000 lb	18116	\$5,710.00

Dimensions

Rated Capacity C	H Min/Max	H1	L	L1	L2	L3	L4	L5	L6	L7	W	W1	W2	
lb/in														
1,000 to 5,000	0.62	5.38/5.62	0.50	8.75	4.00	2.50	3.88	2.00	1.12	4.00	4.00	5.00	4.00	2.00
10,000	0.81	6.88/7.50	1.00	9.75	5.00	2.63	4.88	2.25	1.00	5.00	4.50	6.00	4.50	2.25



Complete Kit Includes

- Three or four RL1900 stainless steel compression mounts with RLSSB NTEP Certified welded stainless steel single-ended beam load cells
- One JB4SS NEMA Type 4X stainless steel signal trim junction box
- 25 ft of hostile environment EL147HE SURVIVOR® load cell cable

Standard Features

- Capacities (per module): 1,000 to 10,000 lb
- NTEP Certified load cells, 1:5000d, Class III single cell
- Stainless steel construction
- Center-pivoted, tension loading design
- Welded-seal stainless steel load cells, IP67
- Self-checking, multi-directional movement
- Easy load cell replacement
- Load is suspended on high-strength bolt instead of wire rope
- Design incorporates spherical washers
- Compatible with RTI SSB load cells

Applications

- Medium-capacity tanks, bins and hoppers
- Washdown applications

RLTM

Stainless Steel Tank Weigh Modules

LOAD CELLS / WEIGH MODULES



Picture is a representation of actual product.

Load Cell Approvals

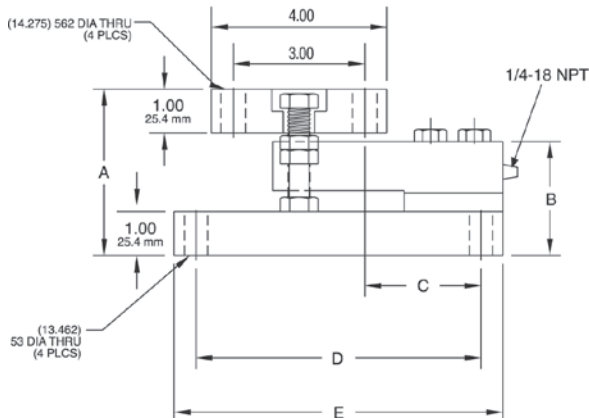


Order Information

Load Rating (Per Module)	Part #	Price
Single Module (Includes Load Cell)		
500 lb	159288	\$1,085.00
1,250 lb	159289	\$1,085.00
2,500 lb	159290	\$1,085.00
5,000 lb	159291	\$1,310.00
10,000 lb	159292	\$1,310.00
3-Module Kit		
500 lb	162942	\$3,375.00
1,250 lb	162944	\$3,375.00
2,500 lb	162945	\$3,375.00
5,000 lb	162946	\$4,180.00
10,000 lb	162947	\$4,180.00
4-Module Kit		
500 lb	162948	\$4,465.00
1250 lb	162949	\$4,465.00
2500 lb	162950	\$4,465.00
5000 lb	162951	\$5,375.00
10,000 lb	162953	\$5,375.00

Dimensions

Rated Capacity	A	B	C	D	E
500 to 2,500	3.77	2.59	2.62	6.50	7.50
5,000	3.99	2.83	2.62	6.50	7.50
10,000	4.27	3.08	3.88	7.50	8.50



Complete Kit Includes

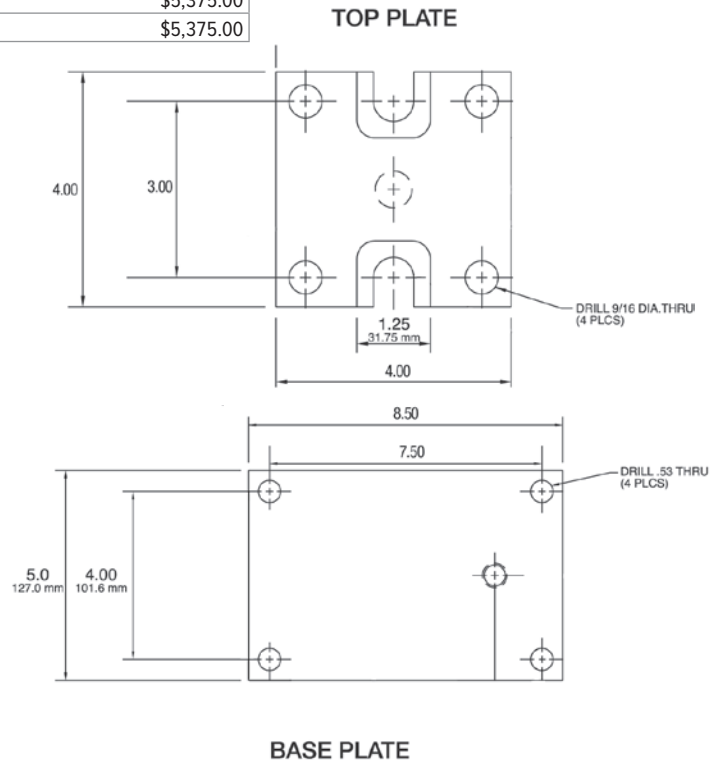
- Three or four Rice Lake RLTM stainless steel mounting assemblies with RL32018S-T NTEP Certified, welded-seal stainless steel load cells
- One JB4SS NEMA Type 4X stainless steel signal trim junction box
- 25 ft of hostile environment EL147HE SURVIVOR® load cell cable

Standard Features

- Capacities (per module) 500 to 10,000 lb
- NTEP Certified load cells, 1:5,000d, Class III multiple cell
- Stainless steel construction
- Overload and uplift protection
- Rocker pin loading
- Integral lateral stops

Applications

- Lower capacity tank and vessel weighing
- Process control and batching



RL9000TWM Series

Stainless Steel, Tank, Hopper and Vessel Weighing Assembly

LOAD CELLS /
WEIGH MODULES



Picture is a representation of actual product.

Load Cell Approvals



Complete Kit Includes

- Three or four stainless steel mounting assemblies with RL9000TWM compression disk load cells
- One JB4SS NEMA Type 4X stainless steel signal trim junction box
- 25 ft of hostile environment EL147HE SURVIVOR® load cell cable

Standard Features

- Capacities (per module): 1,000 to 450,000 lb
- Stainless steel construction
- Very low profile design
- Self-centering
- Self-checking assembly
- Offers 100% sideload, 100% uplift and 150% static safe load and 300% ultimate static overload protection
- Weighs accurately with up to 3° non-parallel load

Optional Features

- Stainless steel top plates (150,000 to 450,000 lb have mild steel painted base plate)

Applications

- Tank, hopper or vessel weighing

Specifications

- Full Scale Output:**
3.0 ($\pm 0.1\%$) mV/V
- Bridge Resistance:**
350 ohm
- Material/Finish:**
Stainless steel
- Operating Temperature:**
0 °F to 150 °F (-17 °C to 65 °C)
- Seal Type:**
Welded-seal, IP67
- Safe Overload:**
150% full scale
- Rated Excitation:**
5 to 10 VDC
- Insulation Resistance:**
5,000 megohm
- Non-linearity:**
1 to 100 K: 0.05% FS
150 to 450 K: 0.1% FS
- Non-repeatability:**
1 to 100 K: 0.02% full scale
150 to 450 K: 0.03% full scale
- Cable Length:**
25 ft
- Deflection at Capacity:**
1 to 15 K: 0.002 in
20 to 50 K: 0.004 in
60 to 100 K: 0.007 in
150 to 200 K: 0.007 in
250 to 400 K: 0.009 in
- Cable Color Code:**
Green +Excitation
Black -Excitation
White +Signal
Red -Signal
- Warranty:**
Two-year limited

RL9000TWM Series

Stainless Steel, Tank, Hopper and Vessel Weighing Assembly

LOAD CELLS / WEIGH MODULES

Order information

Load Rating (Per Module)	Part #	Price
Single Module		
1,000 lb	84353	\$710.00
2,500 lb	84354	\$710.00
5,000 lb	84355	\$710.00
10,000 lb	84356	\$710.00
15,000 lb	84357	\$710.00
20,000 lb	84358	\$1,350.00
25,000 lb	84359	\$1,350.00
35,000 lb	84360	\$1,350.00
50,000 lb	84361	\$1,350.00
60,000 lb	84362	\$2,255.00
75,000 lb	84363	\$2,255.00
100,000 lb	84364	\$2,255.00
150,000 lb	84365	\$4,600.00
200,000 lb	84366	\$4,600.00
250,000 lb	84368	\$6,750.00
300,000 lb	84369	\$6,750.00
400,000 lb	84370	\$6,750.00
450,000 lb	84371	\$6,750.00
3-Module Kit		
1,000 lb	98974	\$2,355.00
2,500 lb	98980	\$2,355.00
5,000 lb	98981	\$2,355.00
10,000 lb	98982	\$2,355.00
15,000 lb	98983	\$2,355.00
20,000 lb	98984	\$4,275.00
25,000 lb	98985	\$4,275.00
35,000 lb	98986	\$4,275.00
50,000 lb	98987	\$4,275.00
60,000 lb	98988	\$6,930.00
75,000 lb	98989	\$6,930.00
100,000 lb	98990	\$6,930.00
150,000 lb	98991	\$13,935.00
200,000 lb	98992	\$13,935.00
250,000 lb	98993	\$20,415.00
300,000 lb	98994	\$20,415.00
400,000 lb	98995	\$20,415.00
450,000 lb	98996	\$20,415.00
4-Module Kit		
1,000 lb	98997	\$2,970.00
2,500 lb	98998	\$2,970.00
5,000 lb	98999	\$2,970.00
10,000 lb	99000	\$2,970.00
15,000 lb	99001	\$2,970.00
20,000 lb	99002	\$5,530.00
25,000 lb	99003	\$5,530.00
35,000 lb	99004	\$5,530.00
50,000 lb	99005	\$5,530.00
60,000 lb	99006	\$9,110.00
75,000 lb	99007	\$9,110.00
100,000 lb	99008	\$9,110.00
150,000 lb	99009	\$18,435.00
200,000 lb	99010	\$18,435.00
250,000 lb	99011	\$27,050.00
300,000 lb	99012	\$27,050.00
400,000 lb	99013	\$27,050.00
450,000 lb	99014	\$27,050.00

Load Rating (Per Module)	Part #	Price
Top Plates (Stainless Steel) with bolts		
1,000 to 15,000 lb	91207	\$125.00
20,000 to 50,000 lb	91210	\$285.00
60,000 to 100,000 lb	91211	\$465.00
150,000 to 200,000 lb	91213	\$740.00
250,000 to 450,000 lb	91215	\$1,710.00
Top Plates (Mild Steel) with bolts		
1,000 to 15,000 lb	124758	\$60.00
20,000 to 50,000 lb	125141	\$115.00
60,000 to 100,000 lb	124759	\$165.00
150,000 to 200,000 lb	124760	\$262.00
250,000 to 450,000 lb	124761	\$388.00
Dummy Weigh Modules (non-functioning)		
1,000 to 10,000 lb	158749	\$100.00
15,000 lb	158750	\$130.00
20,000 to 50,000 lb	158752	\$145.00
60,000 to 100,000 lb	158753	\$160.00
150,000 to 200,000 lb	158754	\$410.00
250,000 to 450,000 lb	158755	\$435.00

150,000 to 450,000 lb have mild steel painted base plates

Order information

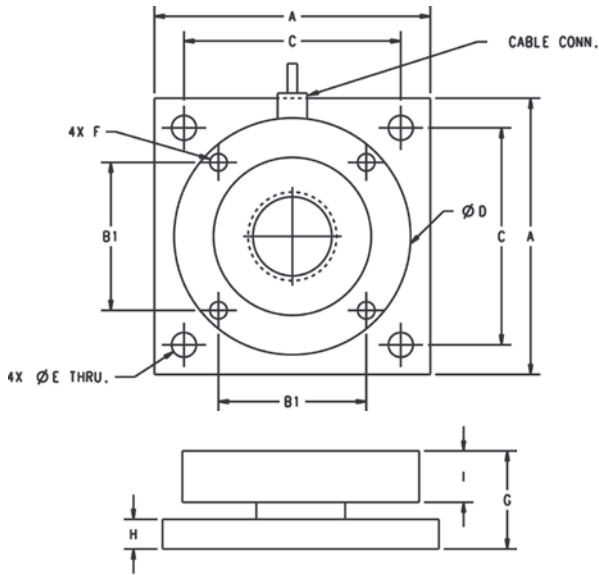
Capacity	Thickness	Material	Part #	Price
Shims				
1,000 to 15,000 lb	0.0625	SST	167001	\$6.00
1,000 to 15,000 lb	0.125	SST	167002	\$8.00
1,000 to 15,000 lb	0.250	SST	167003	\$11.00
1,000 to 15,000 lb	0.0625	MS	167004	\$2.50
1,000 to 15,000 lb	0.125	MS	167005	\$2.75
1,000 to 15,000 lb	0.250	MS	167006	\$3.25
20,000 lb to 50,000 lb	0.0625	SST	167008	\$15.00
20,000 lb to 50,000 lb	0.125	SST	167009	\$22.00
20,000 lb to 50,000 lb	0.250	SST	167010	\$34.00
20,000 lb to 50,000 lb	0.0625	MS	167011	\$9.00
20,000 lb to 50,000 lb	0.125	MS	167012	\$9.00
20,000 lb to 50,000 lb	0.250	MS	167013	\$10.00
60,000 lb to 100,000 lb	0.0625	SST	167014	\$24.00
60,000 lb to 100,000 lb	0.125	SST	167015	\$34.00
60,000 lb to 100,000 lb	0.250	SST	167016	\$53.00
150,000 lb to 200,000 lb	0.0625	SST	167020	\$32.00
150,000 lb to 200,000 lb	0.125	SST	167021	\$40.00
150,000 lb to 200,000 lb	0.250	SST	167022	\$65.00
250,000 lb to 450,000 lb	0.0625	SST	167026	\$40.00
250,000 lb to 450,000 lb	0.125	SST	167027	\$58.00
250,000 lb to 450,000 lb	0.250	SST	167028	\$75.00

Shims match dimensions of base plate and optional top plate

RL9000TWM Series

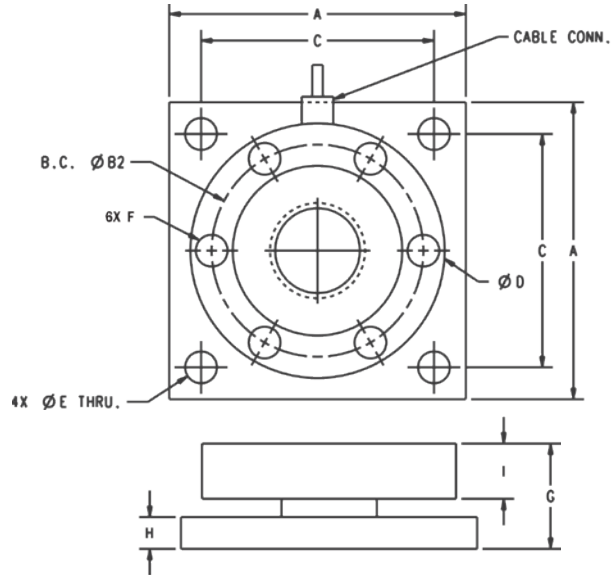
Stainless Steel, Tank, Hopper and Vessel Weighing Assembly

LOAD CELLS /
WEIGH MODULES



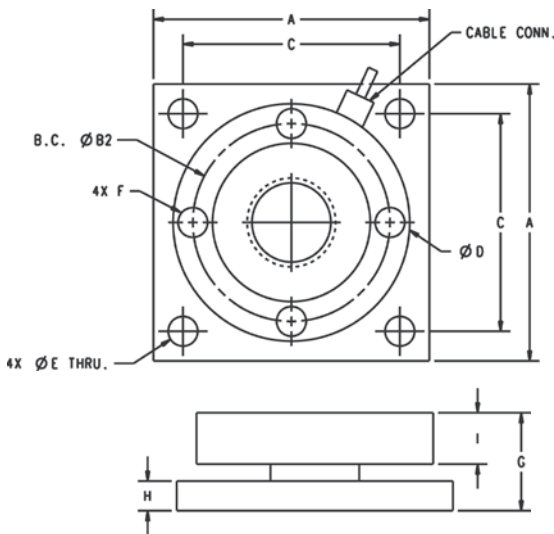
Dimensions

Rated Capacity	A	B1	C	D	E	F	G	H	I	Conduit Adapter
1,000 to 10,000	4.00	2.00	3.25	3.50	0.40	3/8-16 UNC	1.35	0.375	0.75	-
15,000	4.00	2.00	3.25	3.50	0.40	3/8-16 UNC	1.60	0.625	0.75	-
20,000 to 50,000	7.00	3.75	5.50	6.00	0.63	1/2-13 UNC	2.48	0.75	1.30	1/2-14 NPT
60,000 to 100,000	8.00	4.25	6.50	7.00	0.81	3/4-16 UNC	2.50	1.00	1.30	1/2-14 NPT



Dimensions

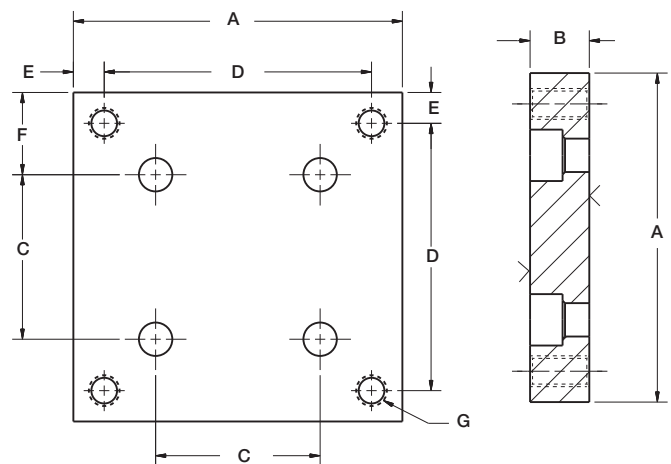
Rated Capacity	A	B2	C	D	E	F	G	H	I	Conduit Adapter
250,000 to 450,000	11.00	7.75	9.00	9.00	1.30	7/8-14 UNF	6.42	3.00	2.25	1/2-14 NPT



Dimensions

Rated Capacity	A	B2	C	D	E	F	G	H	I	Conduit Adapter
150,000 to 200,000	10.0	7.825	8.00	9.00	1.10	1-14 UNF	4.75	2.00	1.70	1/2-14 NPT

Optional Top Plates



Dimensions

Rated Capacity	A	B	C	D	E	F	G
1,000 to 15,000	4.00	0.72	2.00	3.25	0.38	1.00	3/8-16 UNC
20,000 to 50,000	7.00	0.97	3.75	5.50	0.75	1.62	5/8-11 UNC
60,000 to 100,000	8.00	1.46	4.25	6.50	0.75	1.88	3/4-16 UNF
150,000 to 200,000	10.00	1.94	5.53	8.00	1.00	2.25	1-14 UNS
250,000 to 450,000	11.00	2.94	7.75 B.C.	9.00	1.00	1.00	1-1/4-12 UNF

RL9000TWM-HT

Tank, Hopper and Vessel Weigh Module

LOAD CELLS /
WEIGH MODULES



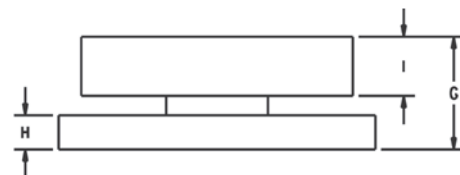
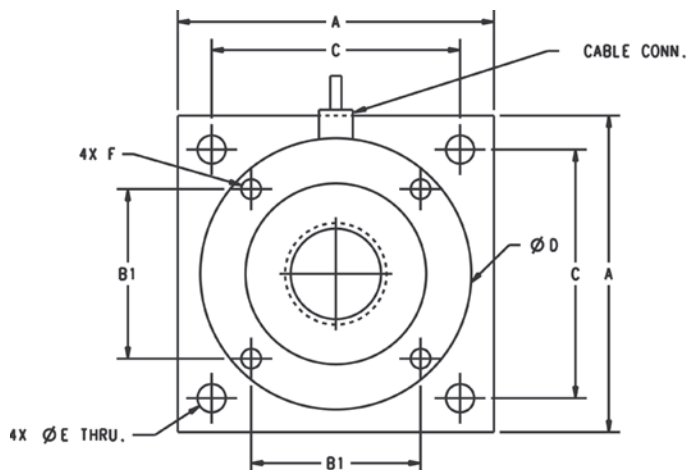
Picture is a representation of actual product.

Order Information

Load Rating (per module)	Part #	Price
Single Module		
1,000 lb	117050	\$1,285.00
2,500 lb	117051	\$1,285.00
5,000 lb	117052	\$1,285.00
10,000 lb	117140	\$1,285.00
15,000 lb	117053	\$1,285.00
20,000 lb	117054	\$2,045.00
25,000 lb	117055	\$2,045.00
35,000 lb	117056	\$2,045.00
50,000 lb	117057	\$2,045.00
Top Plates (Stainless Steel) with bolts		
1,000 lb to 15,000 lb	91207	\$125.00
20,000 lb to 50,000 lb	91210	\$285.00
Top Plates (Mild Steel) with bolts		
1,000 to 15,000 lb	124758	\$60.00
20,000 to 50,000 lb	125141	\$115.00

Dimensions

Rated Capacity	A	B1	C	D	E	F	G	H	I	Conduit Adapter
1,000 to 10,000	4.00	2.00	3.25	3.50	0.40	3/8-16 UNC	1.35	0.375	0.75	-
15,000	4.00	2.00	3.25	3.50	0.40	3/8-16 UNC	1.60	0.625	0.75	-
20,000 to 50,000	7.00	3.75	5.50	6.00	0.63	1/2-13 UNC	2.48	0.750	1.30	1/2-14NPT



Standard Features

- Capacities: 1,000 to 50,000 lb
- Stainless steel construction
- Very low profile design
- Self-centering
- Self-checking assembly
- Offers 100% side load, 100% uplift, 150% safe load and 300% ultimate overload protection
- Weighs accurately with up to 3° non-parallel load

Optional Features

- Stainless steel top plates
- Higher capacities available upon request

Applications

- Tank, hopper or vessel weighing
- High temperature applications

Specifications

Full Scale Output:

3.0 (± 0.1%) mV/V

Bridge Resistance:

700 ohm

Material/Finish:

Stainless steel

Operating Temperature:

0 °F to 400 °F (-17 °C to 204 °C)

Seal Type:

Welded seal, IP67

Safe Overload:

150% full scale

Insulation Resistance:

5,000 megohm

Non-linearity:

0.01% full scale

Non-repeatability:

0.02% full scale

Cable Length:

25 ft PTFE jacket

Deflection at Capacity:

1 to 15 K: 0.002 in
20 to 50 K: 0.004 in

Cable Color Code:

Green +Excitation
Black -Excitation
White +Signal
Red -Signal

Warranty:

Two-year limited

RL2200 Series

Tank, Hopper and Vessel Weighing Assembly

LOAD CELLS / WEIGH MODULES



Picture is a representation of actual product.

Complete Kit Includes

- Three or four RL2200 high-alloy, zinc-plated steel mounting assemblies with RL2200 compression disk load cells.
- One JB4SS NEMA Type 4X stainless steel signal trim junction box
- 25 ft of hostile environment EL147HE SURVIVOR® load cell cable

Standard Features

- Capacities (per module): 2,500 to 50,000 lb
- Low-profile design
- Self-centering in all directions, able to withstand excessive side loads
- Self-checking assembly

Applications

- Tank, hopper or vessel weighing
- Belt or roller conveyors
- Scale platforms and screw feeders

Specifications

Full Scale Output:

4.0 mV/V
2.0 mV/V (2,500 lb)

Bridge Resistance:

350 ohm nominal

Material/Finish:

High-alloy steel, painted

Safe Overload:

150% full scale

Rated Excitation:

5 to 10 VDC (20 V maximum)

Nonlinearity:

0.05% full scale

Hysteresis:

0.03% full scale

Temperature:

Compensated range
15 °F to 115 °F (-9 °C to 46 °C)

Insulation Resistance:

5,000 megohm

Seal Type:

Environmentally sealed

Cable Length:

30 ft

Cable Color Code:

Red +Excitation
Black -Excitation
White +Signal
Green -Signal

Warranty:

Two-year limited

Order Information

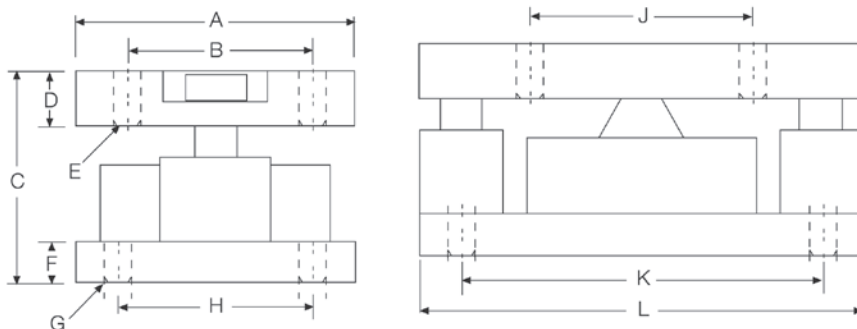
Load Rating (Per Module)	Part #	Price
Single Module		
2,500 lb	76656	\$1,965.00
5,000 lb	45849	\$1,965.00
10,000 lb	45848	\$1,965.00
25,000 lb	45847	\$2,650.00
50,000 lb	45846	\$2,650.00
3-Module Kit		
2,500 lb	76897	\$5,875.00
5,000 lb	42811	\$5,875.00
10,000 lb	42812	\$5,875.00
25,000 lb	42813	\$7,580.00
50,000 lb	42814	\$7,580.00
4-Module Kit		
2,500 lb	76898	\$7,770.00
5,000 lb	42815	\$7,770.00
10,000 lb	42816	\$7,770.00
25,000 lb	42817	\$8,995.00
50,000 lb	42818	\$8,995.00

Replacement Load Cell Order Information

Load Rating (Per Module)	Part #	Price
2,500 lb	76654	\$1,325.00
5,000 lb	45708	\$1,325.00
10,000 lb	45709	\$1,325.00
25,000 lb	45710	\$1,669.00
50,000 lb	45711	\$1,669.00

Dimensions

Rated Capacity	A	B	C	D	E	F	G	H	J	K	L
lb/in											
2,500 to 10,000	5.00	3.50	4.00	1.00	0.52	1.00	0.52	3.50	4.00	6.50	8.00
25,000 to 50,000	6.00	4.50	5.00	1.25	0.78	1.00	0.78	4.50	5.00	7.75	10.00



RL2200SS Series

Stainless Steel, Tank, Hopper and Vessel Weighing Assembly

LOAD CELLS /
WEIGH MODULES



Picture is a representation of actual product.

Order Information

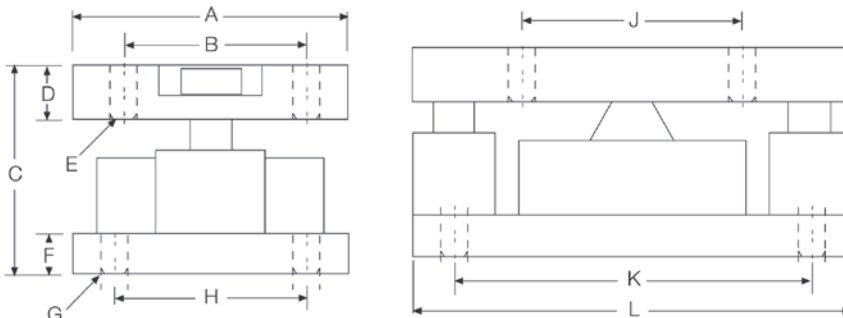
Load Rating (Per Module)	Part #	Price
Single Module		
2,500 lb	76657	\$2,765.00
5,000 lb	45845	\$2,765.00
10,000 lb	45844	\$2,765.00
25,000 lb	45843	\$4,680.00
50,000 lb	45842	\$4,680.00
3-Module Kit		
2,500 lb	76899	\$7,865.00
5,000 lb	46478	\$7,865.00
10,000 lb	46479	\$7,865.00
25,000 lb	46480	\$13,710.00
50,000 lb	46481	\$13,710.00
4-Module Kit		
2,500 lb	76900	\$10,400.00
5,000 lb	46482	\$10,400.00
10,000 lb	46483	\$10,400.00
25,000 lb	46484	\$17,890.00
50,000 lb	46485	\$17,890.00

Replacement Load Cell Order Information

Load Rating (Per Module)	Part #	Price
2,500 lb	76655	\$1,563.00
5,000 lb	45712	\$1,563.00
10,000 lb	45713	\$1,563.00
25,000 lb	45714	\$2,565.00
50,000 lb	45715	\$2,565.00

Dimensions

Rated Capacity	A	B	C	D	E	F	G	H	J	K	L
lb/in											
2,500 to 10,000	5.00	3.50	4.00	1.00	0.52	1.00	0.52	3.50	4.00	6.50	8.00
25,000 to 50,000	6.00	4.50	5.00	1.25	0.78	1.00	0.78	4.50	5.00	7.75	10.00



Complete Kit Includes

- Three or four RL2200 stainless steel mounting assemblies with RL2200SS stainless steel, hermetically sealed, compression disk load cells
- One JB4SS NEMA Type 4X stainless steel signal trim junction box
- 25 ft of hostile environment EL147HE SURVIVOR® load cell cable

Applications

- Tank, hopper or vessel weighing
- Belt or roller conveyors
- Scale platforms and screw feeders

Specifications

Full Scale Output:

4.0 mV/V
2.0 mV/V (2,500 lb)

Bridge Resistance:

350 ohm nominal

Material/Finish:

Stainless steel

Safe Overload:

150% full scale

Rated Excitation:

5 to 10 VDC (20 V maximum)

Nonlinearity:

0.05% full scale

Hysteresis:

0.03% full scale

Temperature:

Compensated range
15 °F to 115 °F (9 °C to 46 °C)

Insulation Resistance:

5,000 megohm

Seal Type:

Hermetically sealed, IP66/68

Cable Length:

30 ft

Cable Color Code:

Red +Excitation
Black -Excitation
White +Signal
Green -Signal

Warranty:

Two-year limited



Picture is a representation of actual product.

Load Cell Approvals



Order Information

Load Rating (Per Module)	Part #	Price
Single Module (Includes Load Cell)		
0.5t	36401	\$1,198.00
1t	36402	\$1,198.00
2t	36403	\$1,383.00
3.5t	36404	\$1,383.00
5t	36405	\$1,383.00
3-Module Kit		
0.5t	36406	\$3,885.00
1t	36407	\$3,885.00
2t	36408	\$4,065.00
3.5t	36409	\$4,065.00
5t	36410	\$4,065.00
4-Module Kit		
0.5t	36411	\$5,083.00
1t	36412	\$5,083.00
2t	36413	\$5,422.00
3.5t	36414	\$5,422.00
5t	36415	\$5,422.00

Replacement Rocker Pin Set*

Load Rating (Per Module)	Part #	Price
250 kg to 1 t	170875	\$132.00
2 t to 5 t	170876	\$132.00

*Kit includes upper cup, rocker pin and grease

Dimensions

Rated Capacity	H	H1	H2	L	L1	L2	T	W	W1	W2
ton/mm										
0.5 to 1	80.0	20.0	15.0	150.0	15.0	120.0	14.0 (top plate)	100.0	70.0	15.0
2 to 5	100.0	20.0	20.0	160.0	20.0	120.0	13.8 (bottom plate)	110.0	70.0	20.0

Complete Kit Includes

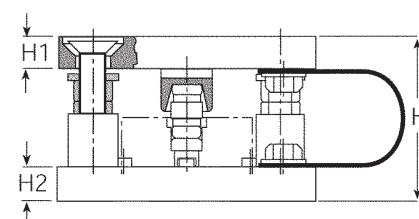
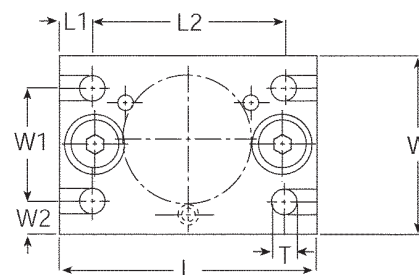
- Three or four RLC stainless steel compression mounts with RLC NTEP Certified stainless steel hermetically sealed compression disk load cells
- One JB4SS NEMA Type 4X stainless steel signal trim junction box
- 25 ft of hostile environment EL147HE SURVIVOR® load cell cable

Standard Features

- Capacities (per module): 0.5 to 5 t
- mV/V/ohm calibrated load cells eliminates the need for trimming
- Stainless steel construction
- Rocker pin design allows movement in all directions
- Easy load cell replacement
- Integral jacking/shipping bolts

Applications

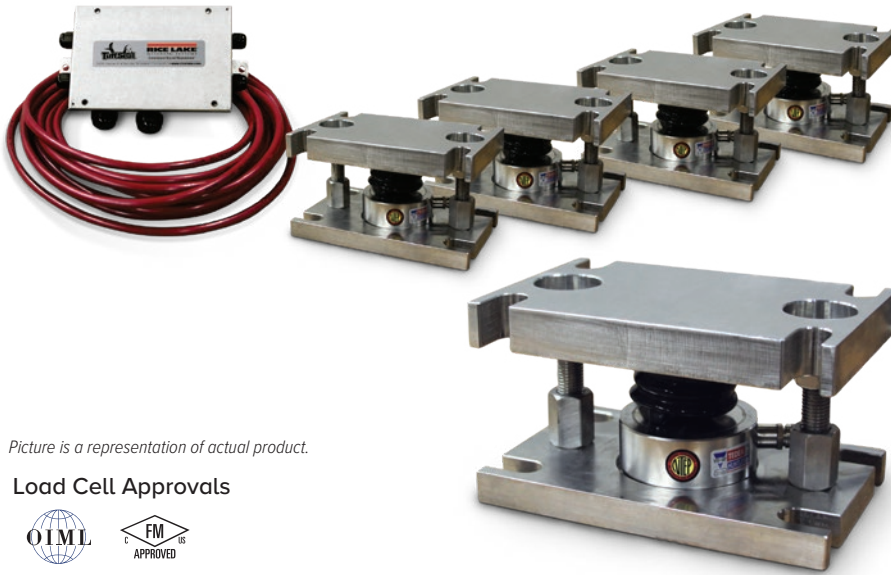
- Medium-capacity tanks, bins and hoppers
- Washdown applications
- Process control and batch weighing



220 Universal Mount

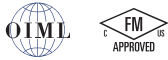
Stainless Steel Weigh Modules, VPG Tedeo-Huntleigh

LOAD CELLS /
WEIGH MODULES



Picture is a representation of actual product.

Load Cell Approvals



Complete Kit Includes

- Three or four 220 stainless steel compression mounts with 220 stainless steel hermetically sealed compression disk load cells
- One JB4SS NEMA Type 4X stainless steel signal trim junction box
- 25 ft of hostile environment EL147HE SURVIVOR® load cell cable

Standard Features

- Capacities (per module): 5,000 to 30,000 kg
- mV/V/ohm calibrated load cells eliminates the need for trimming
- Stainless steel construction
- Easy load cell replacement
- Integral jacking/shipping bolts

Applications

- Medium- to high-capacity tanks, bins and hoppers
- Washdown applications
- Process control and batch weighing

Order Information

Load Rating (Per Module)	Part #	Price
3-Module Kit (Includes Load Cell)		
5,000 kg	66208	\$6,355.00
10,000 kg	66209	\$6,355.00
20,000 kg	66210	\$7,200.00
30,000 kg	66211	\$7,200.00
4-Module Kit (Includes Load Cell)		
5,000 kg	66212	\$8,369.00
10,000 kg	66213	\$8,369.00
20,000 kg	66214	\$9,672.00
30,000 kg	66215	\$9,672.00

Replacement Mount Parts

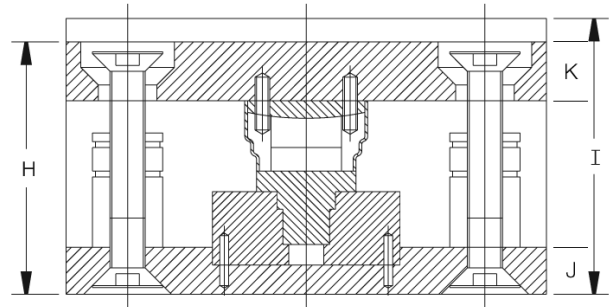
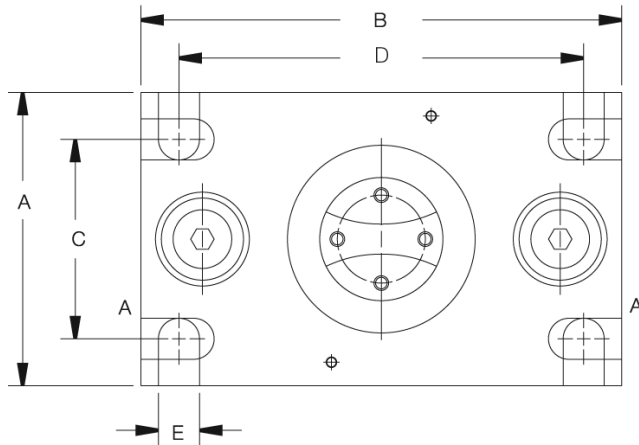
Load Rating (Per Module)	Part #	Price
Saddle 5 t to 10 t	170879	\$132.00
Rolling cylinder 5 t to 10 t	170882	\$111.00
Load adapter 5 t	170880	\$117.00
Load adapter 10 t	170881	\$165.00
Rubber boot 5 t to 10 t	171211	\$37.00
Saddle 20 t to 30 t	170884	\$127.00
Rolling cylinder 20 t to 30 t	170885	\$58.00
Load adapter 20 t to 30 t	170883	\$111.00
Rubber boot 20 t to 30 t	171212	\$32.00

220 Universal Mount

Stainless Steel Weigh Modules, VPG Tedea-Huntleigh

Dimensions

Rated Capacity kg/mm	A	B	C	D	E	H	I	J	K
5,000 to 10,000	127.0	203.0	90.0	170.0	18.0	107.0	Load Cell Replacement Height: 118.0 Operating Height: 107.0	19.1	25.4
20,000 to 30,000	152.0	245.0	115.0	208.0	24.0	148.0	Load Cell Replacement Height: 156.0 Operating Height: 148.1	31.8	25.4



LOAD CELLS /
WEIGH MODULES

EZ Mount 1 with RL72020

Mild Steel Weigh Modules, Rice Lake Weighing Systems

LOAD CELLS /
WEIGH MODULES



Picture is a representation of actual product.

Load Cell Approvals



Order Information

Load Rating (Per Module)	Part #	Price
Single Module (Does NOT Include Load Cell)		
5,000 lb to 20,000 lb	17823	\$360.00
30,000 lb to 60,000 lb	17824	\$975.00
100,000 lb	17850	\$1,340.00
150,000 lb	29012	\$1,340.00
200,000 lb to 250,000 lb	26068	\$3,060.00
3-Module Kit		
5,000 lb	208881	\$3,310.00
10,000 lb	208882	\$3,310.00
20,000 lb	208883	\$3,310.00
30,000 lb	208884	\$5,350.00
40,000 lb	208885	\$5,350.00
50,000 lb	208886	\$5,350.00
60,000 lb	208887	\$5,350.00
100,000 lb	208888	\$8,620.00
150,000 lb	208889	\$8,620.00
4-Module Kit		
5,000 lb	208892	\$4,300.00
10,000 lb	208893	\$4,300.00
20,000 lb	208894	\$4,300.00
30,000 lb	208895	\$6,765.00
40,000 lb	208896	\$6,765.00
50,000 lb	208897	\$6,765.00
60,000 lb	208898	\$6,765.00
100,000 lb	208899	\$11,205.00
150,000 lb	208900	\$11,205.00

VPG Revere 5103

Order Information

Load Rating (Per Module)	Part #	Price
3-Module Kit		
5,000 lb	18175	\$3,420.00
10,000 lb	18176	\$3,420.00
20,000 lb	18177	\$3,420.00
30,000 lb	32169	\$5,465.00
40,000 lb	32171	\$5,465.00
50,000 lb	18178	\$5,625.00
60,000 lb	18179	\$5,625.00
100,000 lb	18180	\$8,735.00
150,000 lb	18181	\$8,735.00
4-Module Kit		
5,000 lb	18182	\$4,410.00
10,000 lb	18183	\$4,410.00
20,000 lb	18184	\$4,410.00
30,000 lb	32170	\$6,920.00
40,000 lb	32172	\$6,920.00
50,000 lb	18185	\$6,920.00
60,000 lb	18186	\$6,920.00
100,000 lb	18187	\$11,380.00
150,000 lb	18188	\$11,380.00
Dummy Load Cells		
5,000 lb to 20,000 lb	33749	\$90.00
30,000 lb to 60,000 lb	74016	\$122.00
100,000 lb	94175	\$265.00
150,000 lb	158715	\$265.00
Grounding Kit		
5,000 lb to 60,000 lb	126419	\$21.00

Complete Kit Includes

- Three or four EZ Mount 1 mild steel compression mounts with RL72020 NTEP Certified double-ended shear beam load cells
- One JB4SS NEMA Type 4X stainless steel signal trim junction box
- 25 ft of hostile environment EL147HE SURVIVOR® load cell cable

Standard Features

- Capacities (per module): 5,000 to 250,000 lb
- Unique sliding pin design compensates for thermal expansion/contraction
- Coated mild steel construction
- Self-checking
- Easy load cell replacement
- Simplified design allows bolting directly to tank and floor
- Center-loaded double-ended shear beam design
- Low-profile design
- Compatible with VPG® Revere 5103 load cell

Applications

- Medium- to heavy-capacity tank and hopper weighing applications

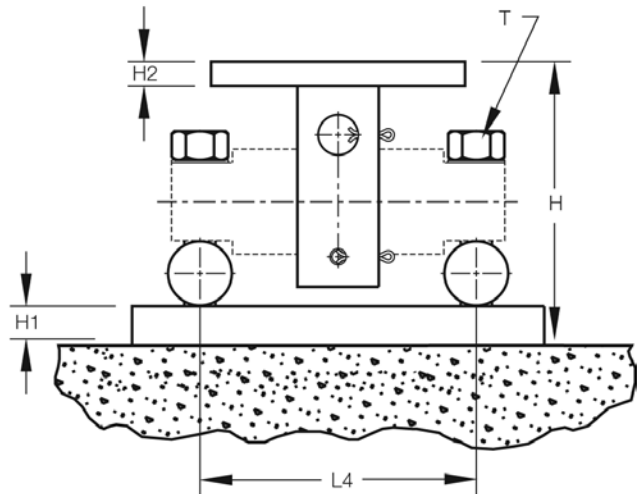
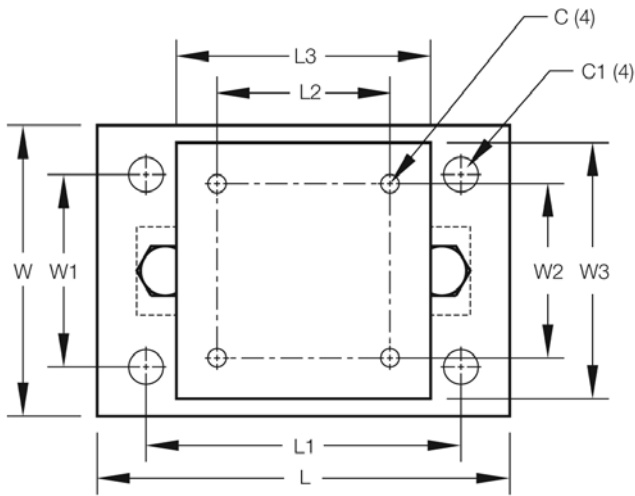
EZ Mount 1 with RL72020

Mild Steel Weigh Modules, Rice Lake Weighing Systems

LOAD CELLS /
WEIGH MODULES

Dimensions

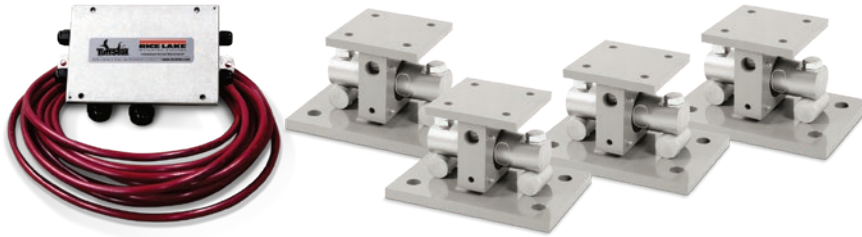
Rated Capacity	C	C1	H	H1	H2	L	L1	L2	L3	L4	T	W	W1	W2	W3
5,000 to 20,000	0.56	1.06	5.31	0.75	0.50	11.00	8.00	3.00	6.00	6.87	5/8-18 UNF	7.50	4.00	3.00	6.00
30,000 to 60,000	0.68	1.19	8.43	1.00	0.75	15.00	11.50	5.12	8.00	8.50	1-14 UNS	10.00	6.00	5.12	8.00
100,000 to 150,000	0.81	1.38	10.37	1.25	1.25	18.00	14.00	7.50	10.00	9.50	1-14 UNS	12.00	9.00	7.50	10.00
200,000 to 250,000	1.06	1.88	16.75	2.00	2.00	26.00	20.00	9.00	12.00	13.00	1 1/2-12 UNS	12.00	6.00	9.00	12.00



EZ Mount 1 SS with RL72020SS

Stainless Steel Weigh Modules, Rice Lake Weighing Systems

LOAD CELLS /
WEIGH MODULES

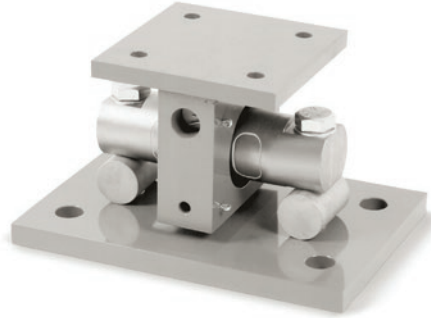


Picture is a representation of actual product.

Load Cell Approvals



NTEP Excluding
5K and 150K



Complete Kit Includes

- Three or four EZ Mount 1 stainless steel compression mounts with RL72020SS stainless steel double-ended shear beam load cells
- One JB4SS NEMA Type 4X stainless steel signal trim junction box
- 25 ft of our hostile environment EL147HE SURVIVOR® load cell cable

Standard Features

- Capacities (per module): 5,000 to 150,000 lb
- NTEP Certified load cells (except for 5 k and 150 k)
- Stainless steel construction
- Unique sliding pin design compensates for thermal expansion/contraction
- Self-checking
- Easy load cell replacement
- Simplified design allows bolting directly to tank and floor
- Center-loaded double-ended shear beam design
- Low-profile design
- Compatible with VPG® Revere 9103 load cell

Applications

- Medium- to heavy-capacity tank and hopper weighing applications

Order Information

Load Rating (Per Module)	Part #	Price
Single Module (Does NOT Include Load Cell)		
5,000 lb to 20,000 lb	17943	\$885.00
30,000 lb to 60,000 lb	17944	\$2,450.00
100,000 lb	17945	\$4,480.00
150,000 lb	29011	\$4,480.00
3-Module Kit		
5,000 lb*	208914	\$5,290.00
10,000 lb	208917	\$5,290.00
20,000 lb	208918	\$5,290.00
30,000 lb	208919	\$10,640.00
40,000 lb	208920	\$10,640.00
50,000 lb	208921	\$10,640.00
60,000 lb	208922	\$10,640.00
100,000 lb	208923	\$19,570.00
150,000 lb*	208924	\$19,570.00

* Non-NTEP Certified

Load Rating (Per Module)	Part #	Price
4-Module Kit		
5,000 lb*	208925	\$6,865.00
10,000 lb	208926	\$6,865.00
20,000 lb	208927	\$6,865.00
30,000 lb	208928	\$14,010.00
40,000 lb	208929	\$14,010.00
50,000 lb	208930	\$14,010.00
60,000 lb	208931	\$14,010.00
100,000 lb	208932	\$26,030.00
150,000 lb*	208933	\$26,030.00
Dummy Load Cells (Mild Steel)		
5,000 lb to 20,000 lb	33749	\$90.00
30,000 lb to 60,000 lb	74016	\$122.00
100,000 lb	94175	\$265.00
150,000 lb	158715	\$265.00
Grounding Kit		
5,000 lb-60,000 lb	126419	\$21.00

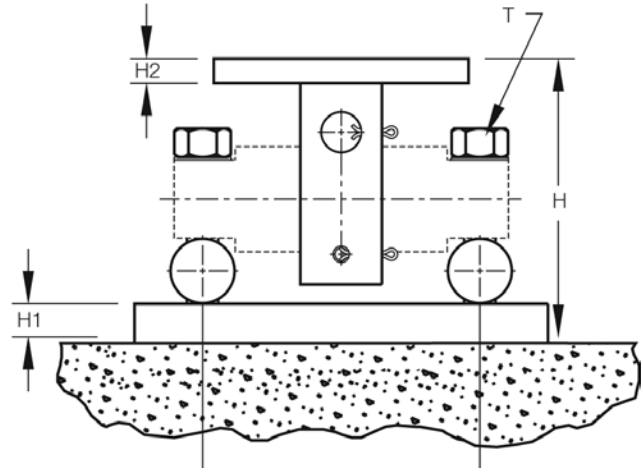
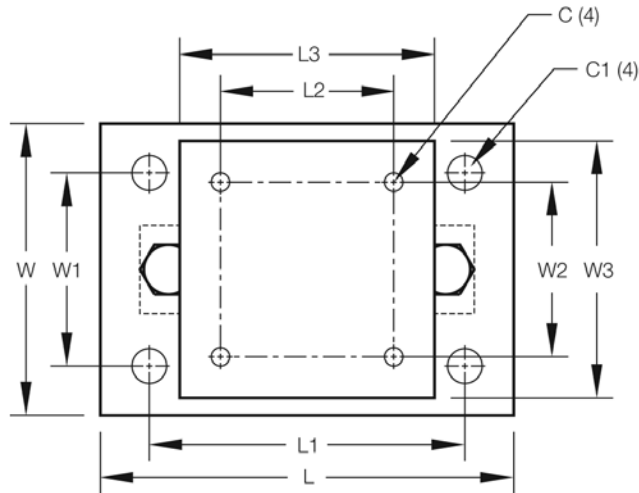
Includes ground strap and mounting hardware per mount

EZ Mount 1 SS with RL72020SS

Stainless Steel Weigh Modules, Rice Lake Weighing Systems

Dimensions

Rated Capacity	C	C1	H	H1	H2	L	L1	L2	L3	L4	T	W	W1	W2	W3
5,000 to 20,000	0.56	1.06	5.31	0.75	0.50	11.00	8.00	3.00	6.00	6.87	5/8-18 UNF	7.50	4.00	3.00	6.00
30,000 to 60,000	0.68	1.19	8.43	1.00	0.75	15.00	11.50	5.12	8.00	8.50	1-14 UNS	10.00	6.00	5.12	8.00
100,000 to 150,000	0.81	1.38	10.37	1.25	1.25	18.00	14.00	7.50	10.00	9.50	1-14 UNS	12.00	9.00	7.50	10.00



LOAD CELLS /
WEIGH MODULES

EZ Mount 1 with Coated RL72020P

Stainless Steel Weigh Modules, Rice Lake Weighing Systems

LOAD CELLS /
WEIGH MODULES



Picture is a representation of actual product.

Load Cell Approvals



Order Information

Load Rating (Per Module)	Part #	Price
Single Module (Does NOT Include Load Cell)		
5,000 lb to 20,000 lb	17943	\$885.00
30,000 lb to 60,000 lb	17944	\$2,450.00
100,000 lb	17945	\$4,480.00
150,000 lb	29011	\$4,480.00
3-Module Kit		
5,000 lb	208957	\$4,775.00
10,000 lb	208959	\$4,775.00
20,000 lb	208961	\$4,775.00
30,000 lb	208963	\$9,895.00
40,000 lb	208965	\$9,895.00
50,000 lb	208967	\$9,895.00
60,000 lb	208969	\$9,895.00
100,000 lb	208971	\$18,515.00
150,000 lb	208973	\$18,515.00

Load Rating (Per Module)	Part #	Price
4-Module Kit		
5,000 lb	208958	\$6,380.00
10,000 lb	208960	\$6,380.00
20,000 lb	208962	\$6,380.00
30,000 lb	208964	\$13,195.00
40,000 lb	208966	\$13,195.00
50,000 lb	208968	\$13,195.00
60,000 lb	208970	\$13,195.00
100,000 lb	208972	\$24,650.00
150,000 lb	208974	\$24,650.00
Dummy Load Cells (Mild Steel)		
5,000 lb to 20,000 lb	33749	\$90.00
30,000 lb to 60,000 lb	74016	\$122.00
100,000 lb	94175	\$265.00
150,000 lb	158715	\$265.00
Grounding Kit		
5,000 lb-60,000 lb	126419	\$21.00

Includes ground strap and mounting hardware per mount

Complete Kit Includes

- Three or four EZ Mount 1 stainless steel compression mounts with RL72020P NTEP Certified alloy coated double-ended shear beam load cells
- One JB4SS NEMA Type 4X stainless steel signal trim junction box
- 25 ft of hostile environment EL147HE SURVIVOR load cell cable

Standard Features

- Capacities (per module): 5,000 to 150,000 lb
- Unique sliding pin design compensates for thermal expansion/contraction
- Stainless steel construction (mount)
- Self-checking
- Easy load cell replacement
- Simplified design allows bolting directly to tank and floor
- Center-loaded double-ended shear beam design
- Low-profile design

Applications

- Medium- to heavy-capacity tank and fertilizer hopper weighing applications

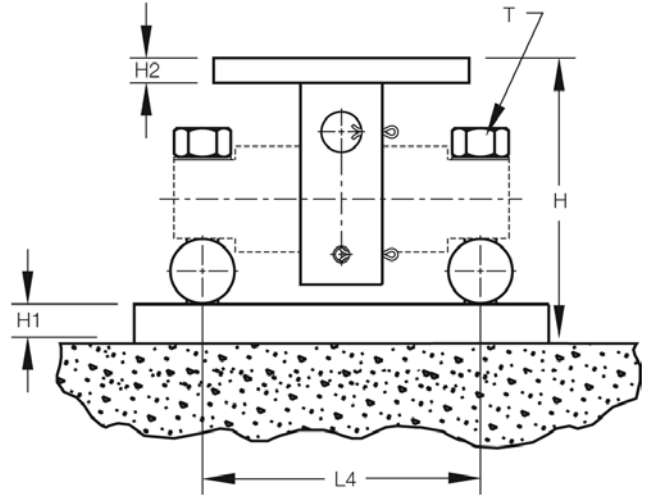
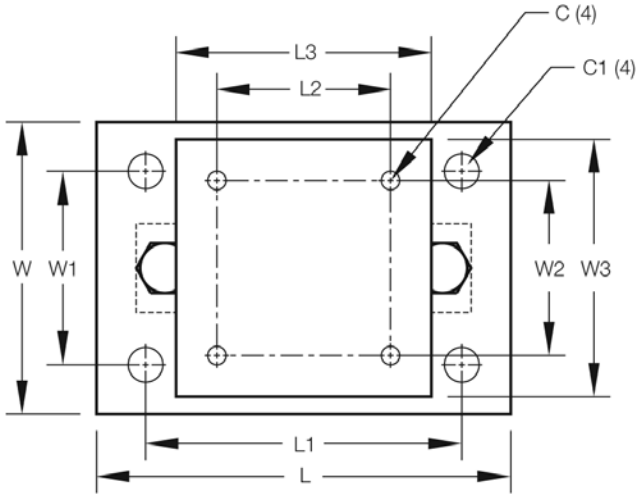
EZ Mount 1 with Coated RL72020P

Stainless Steel Weigh Modules, Rice Lake Weighing Systems

LOAD CELLS / WEIGH MODULES

Dimensions

Rated Capacity	C	C1	H	H1	H2	L	L1	L2	L3	L4	T	W	W1	W2	W3
5,000 to 20,000	0.56	1.06	5.31	0.75	0.50	11.00	8.00	3.00	6.00	6.87	5/8-18 UNF	7.50	4.00	3.00	6.00
30,000 to 60,000	0.68	1.19	8.43	1.00	0.75	15.00	11.50	5.12	8.00	8.50	1-14 UNS	10.00	6.00	5.12	8.00
100,000 to 150,000	0.81	1.38	10.37	1.25	1.25	18.00	14.00	7.50	10.00	9.50	1-14 UNS	12.00	9.00	7.50	10.00

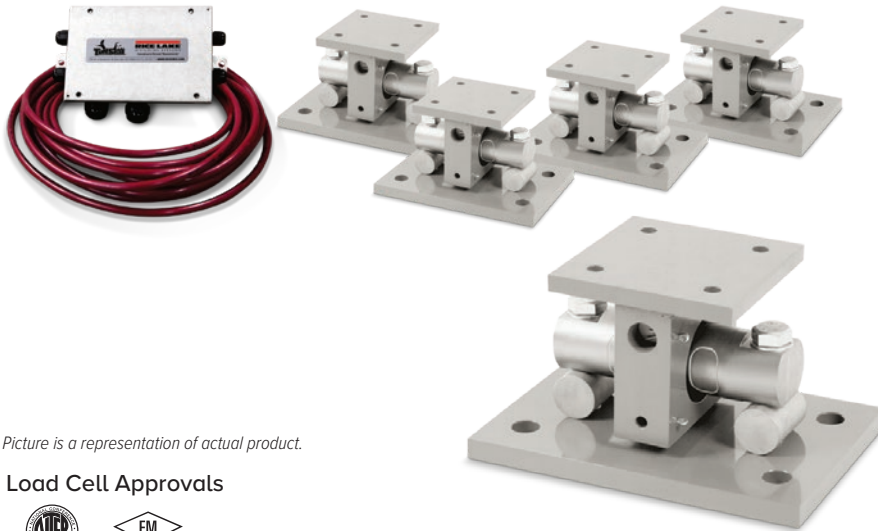


EZ Mount 1 with RL70000

Mild Steel Weigh Modules, Rice Lake Weighing Systems

Limited Stock Available

LOAD CELLS / WEIGH MODULES



Picture is a representation of actual product.

Load Cell Approvals



Order Information

Load Rating (Per Module)	Part #	Price
Single Module (Does NOT Include Load Cell)		
5,000 lb to 20,000 lb	17823	\$360.00
30,000 lb to 60,000 lb	17824	\$975.00
100,000 lb	17850	\$1,340.00
150,000 lb	29012	\$1,340.00
200,000 lb-250,000 lb	26068	\$3,060.00
3-Module Kit		
10,000 lb	18164	\$3,310.00
30,000 lb	32164	\$5,350.00
40,000 lb	32167	\$5,350.00
50,000 lb	18166	\$5,350.00
60,000 lb	18167	\$5,350.00
100,000 lb	18168	\$8,620.00
150,000 lb	43290	\$8,620.00
4-Module Kit		
10,000 lb	18170	\$4,300.00
30,000 lb	32165	\$6,765.00
40,000 lb	32166	\$6,765.00
50,000 lb	18172	\$6,765.00
60,000 lb	18173	\$6,765.00
100,000 lb	18174	\$11,245.00
150,000 lb	43291	\$11,245.00

VPG Revere 5103 Order Information

Load Rating (Per Module)	Part #	Price
3-Module Kit		
5,000 lb	18175	\$3,420.00
10,000 lb	18176	\$3,420.00
20,000 lb	18177	\$3,420.00
30,000 lb	32169	\$5,465.00
40,000 lb	32171	\$5,465.00
50,000 lb	18178	\$5,625.00
60,000 lb	18179	\$5,625.00
100,000 lb	18180	\$8,735.00
150,000 lb	18181	\$8,735.00
4-Module Kit		
5,000 lb	18182	\$4,410.00
10,000 lb	18183	\$4,410.00
20,000 lb	18184	\$4,410.00
30,000 lb	32170	\$6,920.00
40,000 lb	32172	\$6,920.00
50,000 lb	18185	\$6,920.00
60,000 lb	18186	\$6,920.00
100,000 lb	18187	\$11,380.00
150,000 lb	18188	\$11,380.00
Dummy Load Cells		
5,000 lb to 20,000 lb	33749	\$90.00
30,000 lb to 60,000 lb	74016	\$122.00
100,000 lb	94175	\$265.00
150,000 lb	158715	\$265.00
Grounding Kit		
5,000 lb to 60,000 lb	126419	\$21.00

Includes ground strap and mounting hardware per mount

Complete Kit Includes

- One JB4SS NEMA Type 4X stainless steel signal trim junction box
- Three or four EZ Mount 1 mild steel compression mounts
- Three or four RL70000 double-ended shear beam load cells
- 25 ft of hostile environment EL147HE SURVIVOR® load cell cable

Standard Features

- Capacities (per module): 5,000 to 250,000 lb
- NTEP Certified load cells
- Unique sliding pin design compensates for thermal expansion/contraction
- Self-checking
- Easy load cell replacement
- Simplified design allows bolting directly to tank and floor
- Center-loaded double-ended shear beam design
- Low-profile design
- Painted mild steel construction

Optional Features

- Kits available with VPG® Revere 5103 load cell, capacities in 5,000 to 150,000 lb

Applications

- Medium- to heavy-capacity tank and hopper weighing applications

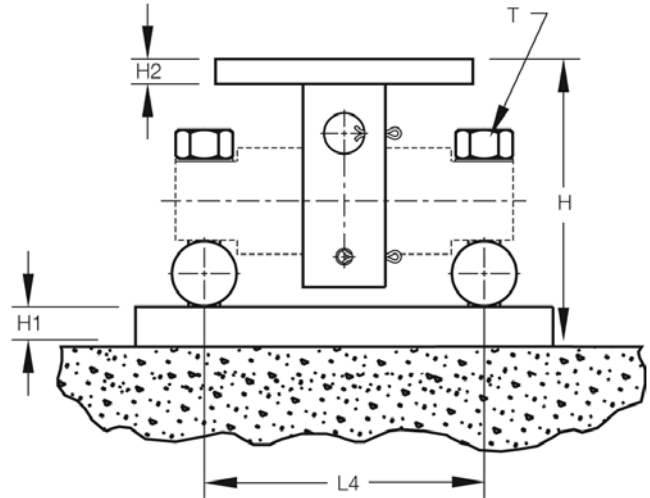
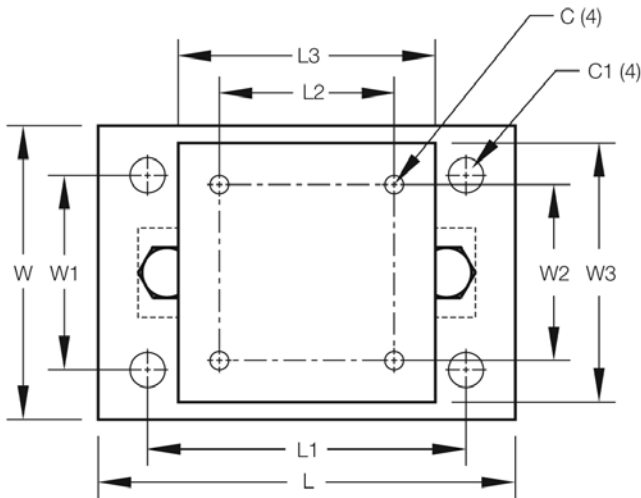
EZ Mount 1 with RL70000

Mild Steel Weigh Modules, Rice Lake Weighing Systems

LOAD CELLS /
WEIGH MODULES

Dimensions

Rated Capacity lb/in	C	C1	H	H1	H2	L	L1	L2	L3	L4	T	W	W1	W2	W3
5,000 to 20,000	0.56	1.06	5.31	0.75	0.50	11.00	8.00	3.00	6.00	6.87	5/8-18 UNF	7.50	4.00	3.00	6.00
30,000 to 60,000	0.68	1.19	8.43	1.00	0.75	15.00	11.50	5.12	8.00	8.50	1-14 UNS	10.00	6.00	5.12	8.00
100,000 to 150,000	0.81	1.38	10.37	1.25	1.25	18.00	14.00	7.50	10.00	9.50	1-14 UNS	12.00	9.00	7.50	10.00
200,000 to 250,000	1.06	1.88	16.75	2.00	2.00	26.00	20.00	9.00	12.00	13.00	1 1/2-12 UNS	12.00	6.00	9.00	12.00

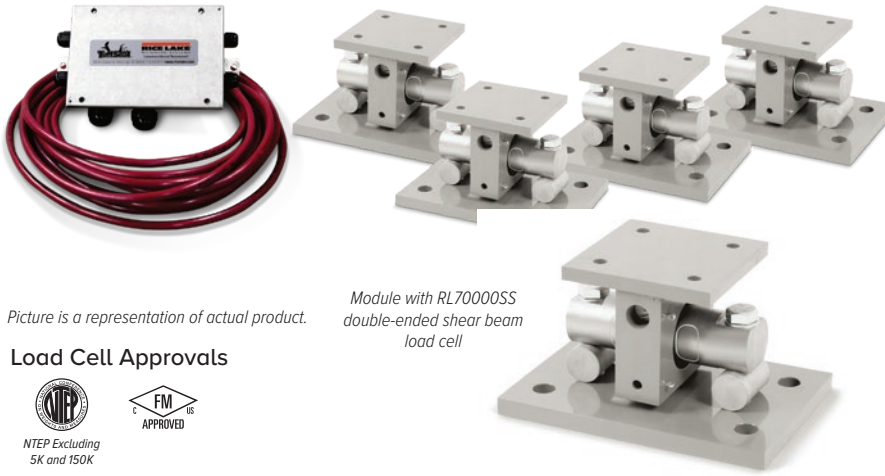


EZ Mount 1 with RL70000SS

Stainless Steel Weigh Modules, Rice Lake Weighing Systems

Limited Stock Available

LOAD CELLS / WEIGH MODULES



Picture is a representation of actual product.

Module with RL70000SS double-ended shear beam load cell

Load Cell Approvals



NTEP Excluding 5K and 150K



Order Information

Load Rating (Per Module)	Part #	Price
Single Module (Does NOT Include Load Cell)		
5,000 lb to 20,000 lb	17943	\$885.00
30,000 lb to 60,000 lb	17944	\$2,450.00
100,000 lb	17945	\$4,480.00
150,000 lb	29011	\$4,480.00
3-Module Kit		
5,000 lb*	36195	\$5,065.00
40,000 lb	36199	\$9,940.00
4-Module Kit		
5,000 lb*	36203	\$6,785.00
10,000 lb	36204	\$6,625.00
20,000 lb	36205	\$6,625.00
30,000 lb	36206	\$13,010.00
40,000 lb	36207	\$13,490.00
50,000 lb	36208	\$13,317.00
60,000 lb	36209	\$13,490.00
100,000 lb	36210	\$26,030.00
150,000 lb*	43289	\$26,030.00

* Non-NTEP Certified

Load Rating (Per Module)	Part #	Price
Dummy Load Cells (Mild Steel)		
5,000 lb to 20,000 lb	33749	\$90.00
30,000 lb to 60,000 lb	74016	\$122.00
100,000 lb	94175	\$265.00
150,000 lb	158715	\$265.00
Grounding Kit		
5,000 lb to 60,000 lb	126419	\$21.00

Includes ground strap and mounting hardware per mount

Dimensions

Rated Capacity	C	C1	H	H1	H2	L	L1	L2	L3	L4	T	W	W1	W2	W3
5,000 to 20,000 lb/in	0.56	1.06	5.31	0.75	0.50	11.00	8.00	3.00	6.00	6.87	5/8-18 UNF	7.50	4.00	3.00	6.00
30,000 to 60,000	0.68	1.19	8.43	1.00	0.75	15.00	11.50	5.12	8.00	8.50	1-14 UNS	10.00	6.00	5.12	8.00
100,000 to 150,000	0.81	1.38	10.37	1.25	1.25	18.00	14.00	7.50	10.00	9.50	1-14 UNS	12.00	9.00	7.50	10.00

Complete Kit Includes

- Three or four EZ Mount 1 stainless steel compression mounts with RL70000SS stainless steel double-ended shear beam load cells
- One JB4SS NEMA Type 4X stainless steel signal trim junction box
- 25 ft of hostile environment EL147HE SURVIVOR® load cell cable

Standard Features

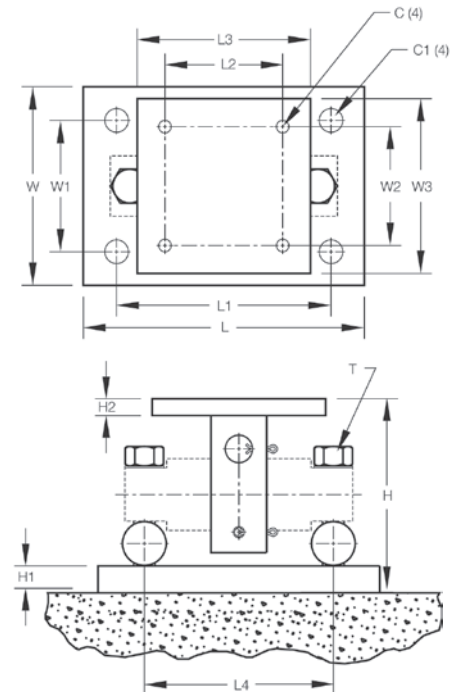
- Capacities (per module): 5,000 to 150,000 lb
- NTEP Certified load cells (10 to 100 K)
- 304 stainless steel construction
- Unique sliding pin design compensates for thermal expansion/contraction
- Self-checking
- Easy load cell replacement
- Simplified design allows bolting directly to tank and floor
- Center-loaded double-ended shear beam design
- Low-profile design
- Compatible with VPG® Reverse 9103 load cell

Optional Features

- Kits available with VPG Reverse 9103 load cell, capacities in 5,000 to 150,000 lb

Applications

- Medium- to heavy-capacity tank and hopper weighing applications



Limited Stock Available

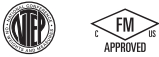
EZ Mount 1 with Coated RL70000

Rice Lake Weighing Systems



Available in configurations with three or four mounting assemblies. Picture is a representation of actual product.

Load Cell Approvals



Order Information

Load Rating (Per Module)	Part #	Price
Single Module (Does NOT Include Load Cell)		
5,000 lb to 20,000 lb	17943	\$885.00
30,000 lb to 60,000 lb	17944	\$2,450.00
100,000 lb	17945	\$4,480.00
150,000 lb	29011	\$4,480.00
3-Module Kit		
5,000 lb*	207819	\$4,775.00
20,000 lb	207821	\$4,775.00
30,000 lb	207822	\$9,895.00
50,000 lb	207824	\$9,895.00
4-Module Kit		
5,000 lb*	207829	\$6,385.00
10,000 lb	207830	\$6,385.00
20,000 lb	207831	\$6,385.00
30,000 lb	207832	\$13,195.00
40,000 lb	207833	\$13,195.00
50,000 lb	207834	\$13,195.00
60,000 lb	207835	\$13,195.00
100,000 lb	207836	\$24,650.00
150,000 lb*	207837	\$24,650.00

* Non-NTEP Certified

Dimensions

Rated Capacity	C	C1	H	H1	H2	L	L1	L2	L3	L4	T	W	W1	W2	W3
5,000 to 20,000	0.56	1.06	5.31	0.75	0.50	11.00	8.00	3.00	6.00	6.87	5/8-18 UNF	7.50	4.00	3.00	6.00
30,000 to 60,000	0.68	1.19	8.43	1.00	0.75	15.00	11.50	5.12	8.00	8.50	1-14 UNS	10.00	6.00	5.12	8.00
100,000 to 150,000	0.81	1.38	10.37	1.25	1.25	18.00	14.00	7.50	10.00	9.50	1-14 UNS	12.00	9.00	7.50	10.00

Complete Kit Includes

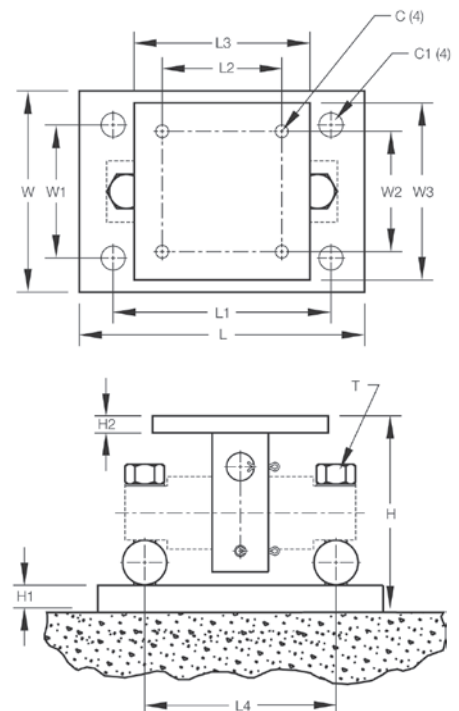
- Three or four EZ Mount 1 stainless steel compression mounts with RL70000 alloy painted double-ended shear beam load cells
- One JB4SS NEMA Type 4X stainless steel signal trim junction box
- 25 ft of our hostile environment EL147HE SURVIVOR® load cell cable

Standard Features

- Capacities (per module): 5,000 to 150,000 lb
- NTEP Certified load cells (5 to 100 k)
- Stainless steel construction (mount)
- Unique sliding pin design compensates for thermal expansion/contraction
- Self-checking
- Easy load cell replacement
- Simplified design allows bolting directly to tank and floor
- Center-loaded double-ended shear beam design
- Low-profile design

Applications

- Medium- to heavy-capacity tank and fertilizer hopper weighing applications

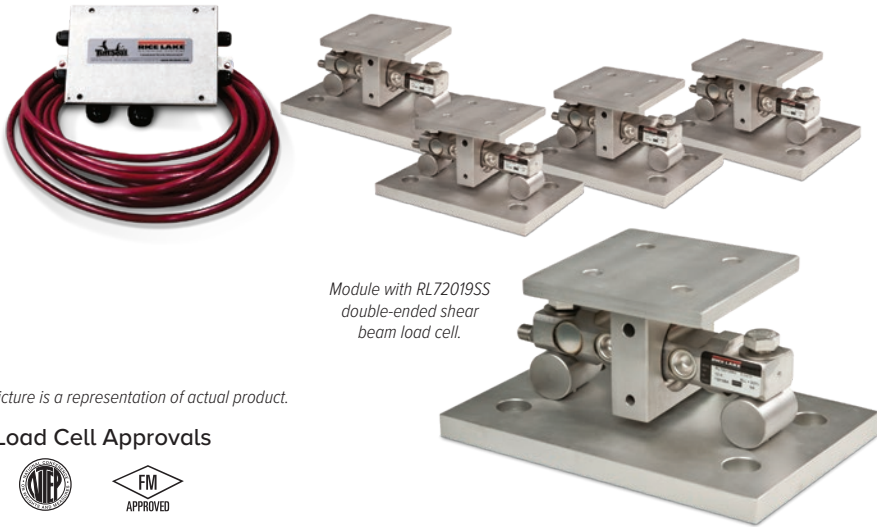


LOAD CELLS / WEIGH MODULES

EZ Mount 1 HE

Stainless Steel Weigh Modules, Rice Lake Weighing Systems

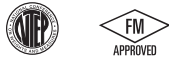
LOAD CELLS / WEIGH MODULES



Module with RL72019SS double-ended shear beam load cell.

Picture is a representation of actual product.

Load Cell Approvals



Order Information

Load Rating (Per Module)	Part #	Price
3-Module Kit		
5,000 lb*	46695	\$6,235.00
10,000 lb	46696	\$6,235.00
20,000 lb	46697	\$6,235.00
30,000 lb	46698	\$12,375.00
40,000 lb	46699	\$12,375.00
50,000 lb	46700	\$12,375.00
60,000 lb	46701	\$12,375.00
4-Module Kit		
5,000 lb*	46702	\$8,390.00
10,000 lb	46703	\$8,390.00
20,000 lb	46704	\$8,390.00
30,000 lb	46705	\$16,175.00
40,000 lb	46706	\$16,175.00
50,000 lb	46707	\$16,175.00
60,000 lb	46708	\$16,175.00
Dummy Load Cells (Mild Steel)		
5,000 lb to 20,000 lb	33749	\$90.00
30,000 lb to 60,000 lb	74016	\$122.00
Grounding Kit		
5,000 lb to 60,000 lb	126419	\$21.00

Includes ground strap and mounting hardware
*Non-NTEP

Shims

	Part #	Price
5,000 lb to 20,000 lb, Stainless Steel		
0.0625 in	150886	\$12.00
0.125 in	150888	\$18.00
0.250 in	150889	\$29.00
30,000 lb to 60,000 lb, Stainless Steel		
0.0625 in	150890	\$19.00
0.125 in	150891	\$30.00
0.250 in	150892	\$64.00
100,000 lb to 150,000 lb, Stainless Steel		
0.0625 in	150893	\$32.00
0.125 in	150894	\$41.00
0.250 in	150896	\$97.00
5,000 lb to 20,000 lb, Mild Steel		
0.0625 in	150874	\$5.00
0.125 in	150876	\$6.00
0.250 in	150877	\$8.00
30,000 lb to 60,000 lb, Mild Steel		
0.0625 in	150878	\$6.00
0.125 in	150880	\$9.00
0.250 in	150881	\$11.00
100,000 lb to 150,000 lb, Mild Steel		
0.0625 in	150882	\$9.00
0.125 in	150884	\$13.00
0.250 in	150885	\$18.00

Dimensions

Rated Capacity	C	C1	H	H1	H2	L	L1	L2	L3	L4	T	W	W1	W2	W3
5,000 to 20,000 lb/in	0.56	1.06	5.31	0.75	0.50	11.00	8.00	3.00	6.00	6.87	5/8-18 UNF	7.50	4.00	3.00	6.00
30,000 to 60,000 lb/in	0.68	1.19	8.43	1.00	0.75	15.00	11.50	5.12	8.00	8.50	1-14 UNS	10.00	6.00	5.12	8.00

NOTES: Mounting bolts (T) may project on lower side of base plate. Foundation plate not included

Complete Kit Includes

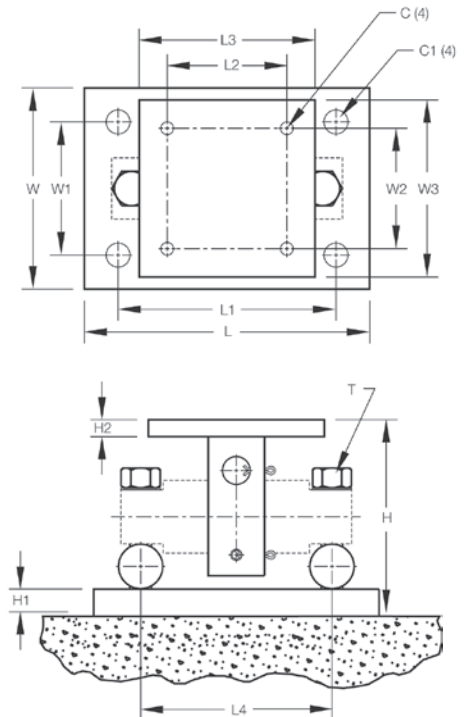
- Three or four EZ Mount 1 stainless steel compression mounts with RL72019SS welded-seal stainless steel double-ended shear beam load cells
- One JB4SS NEMA Type 4X stainless steel signal trim junction box
- 25 ft of our hostile environment EL147HE SURVIVOR® load cell cable

Standard Features

- Capacities (per module): 5,000 to 60,000 lb
- NTEP Certified (except 5,000 lb)
- Stainless steel construction
- Unique sliding pin design compensates for thermal expansion/contraction
- Self-checking
- Easy load cell replacement
- Simplified design allows bolting directly to tank and floor
- Center-loaded, double-ended shear beam design
- Low-profile design

Applications

- Medium- to heavy-capacity tank and hopper weighing applications



RL1600 Series

Cast Iron Weigh Modules, Rice Lake Weighing Systems



Complete Kit Includes

- Three or four RL1600 cast iron compression mounts with RL75016 environmentally protected double-ended shear beam load cells
- One JB4SS NEMA Type 4X stainless steel signal trim junction box
- 25 ft of hostile environment EL147HE SURVIVOR® load cell cable

Standard Features

- Capacities (per module): 1,000 to 25,000 lb
- Cast iron construction
- Self-checking easy-to-use design allows module to be bolted directly to tank leg without requiring additional mounting plates or load buttons
- Double-ended beam design, center loaded
- Compatible with VPG® Sensortronics 65016 load cells, capacities (per module): 1,000 to 25,000 lb

Applications

- Medium- to heavy-capacity tanks, bins and hoppers
- Bulk material management

LOAD CELLS / WEIGH MODULES

Picture is a representation of actual product.

Order Information

Load Rating (Per Module)	Part #	Price
Single Module (Does NOT Include Load Cell)		
1,000 lb to 5,000 lb	17964	\$185.00
10,000 lb to 25,000 lb	17965	\$357.00
3-Module Kit		
1,000 lb	25663	\$2,285.00
1,500 lb	25664	\$2,285.00
2,000 lb	25665	\$2,285.00
2,500 lb	25666	\$2,285.00
3,000 lb	25667	\$2,285.00
5,000 lb	25668	\$2,285.00
10,000 lb	25669	\$3,000.00
15,000 lb	25671	\$3,000.00
20,000 lb	25672	\$3,000.00
25,000 lb	25674	\$3,000.00
4-Module Kit		
1,000 lb	25675	\$2,925.00
1,500 lb	25676	\$2,925.00
2,000 lb	25677	\$2,925.00
2,500 lb	25678	\$2,925.00
3,000 lb	25679	\$2,925.00
5,000 lb	25680	\$2,925.00
10,000 lb	25681	\$3,875.00
15,000 lb	25682	\$3,875.00
20,000 lb	25683	\$3,875.00
25,000 lb	25684	\$3,875.00

VPG Sensortronics 65016 Order Information

Load Rating (Per Module)	Part #	Price
3-Module Kit		
1,000 lb	25685	\$2,685.00
1,500 lb	25686	\$2,685.00
2,500 lb	25688	\$2,685.00
5,000 lb	25690	\$2,685.00
10,000 lb	25691	\$3,400.00
15,000 lb	25692	\$3,400.00
20,000 lb	25693	\$3,400.00
25,000 lb	25694	\$3,400.00
4-Module Kit		
1,000 lb	25695	\$3,485.00
1,500 lb	25696	\$3,485.00
2,500 lb	25698	\$3,485.00
5,000 lb	25700	\$3,485.00
10,000 lb	25701	\$4,465.00
15,000 lb	25702	\$4,465.00
20,000 lb	25703	\$4,465.00
25,000 lb	25704	\$4,465.00
Dummy Load Cells		
1,000 lb to 5,000 lb	18236	\$26.00
10,000 lb to 25,000 lb	18237	\$42.00

Shims, Mild Steel

	Part #	Price
1,000 lb to 5,000 lb		
0.0625 in	150844	\$2.00
0.125 in	150845	\$3.00
0.250 in	150846	\$3.00
10,000 lb to 25,000 lb		
0.0625 in	150847	\$5.00
0.125 in	150848	\$7.50
0.250 in	150849	\$8.00

RL1600 Series

Cast Iron Weigh Modules, Rice Lake Weighing Systems

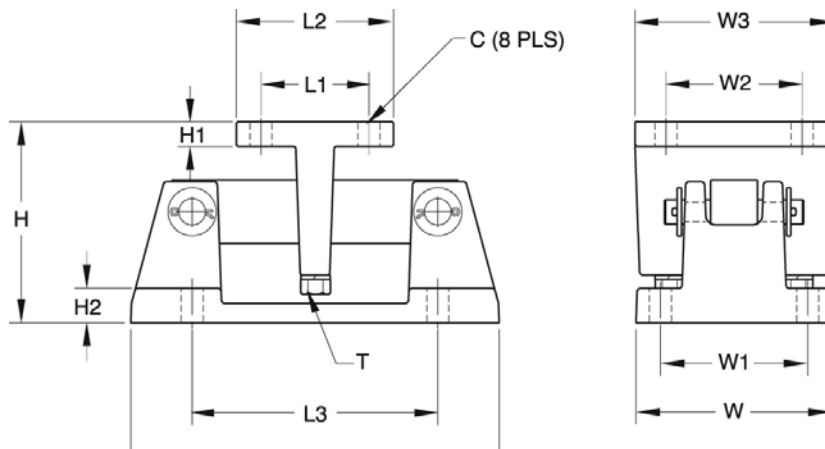
LOAD CELLS /
WEIGH MODULES

Load Cell Upgrade

RL75016SS Stainless Steel Load Cells	
Three mount kits, 1,000 lb to 25,000 lb	\$75.00 added to list price
Four mount kits, 1,000 lb to 25,000 lb	\$100.00 added to list price
RL75016WHE Stainless Steel Hermetic Load Cells	
Three mount kits 1,000 lb to 5,000 lb	\$540.00, 10 k-25 k \$588.00 added to list price
Four mount kits 1,000 lb to 5,000 lb	\$720.00, 10 k-25 k \$784.00 added to list price
<i>Contact factory for a 50,000 lb to 75,000 lb upgrade</i>	

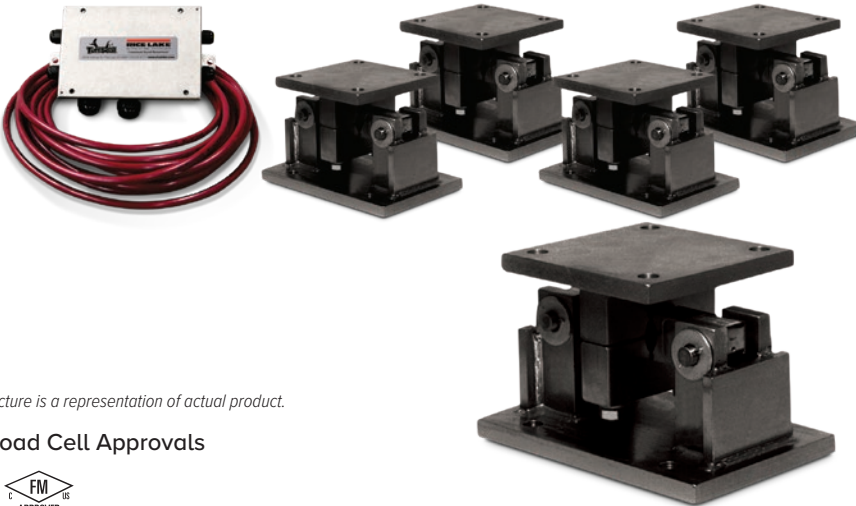
Dimensions

Rated Capacity	C	H	H1	H2	L	L1	L2	L3	T	W	W1	W2	W3
lb/in													
1,000 to 5,000	0.56	5.00	0.50	0.50	9.31	2.75	4.00	6.25	1/2-13 UNC	5.00	3.75	2.75	4.00
10,000 to 25,000	0.78	7.89	0.75	0.75	12.00	6.00	8.00	7.50	3/4-10 UNC	8.00	6.00	6.00	8.00



RL1600 Series

Mild Steel Weigh Modules, Rice Lake Weighing Systems



Picture is a representation of actual product.

Load Cell Approvals



Order Information

Load Rating (Per Module)	Part #	Price
Single Module (Does NOT Include Load Cell)		
1,000 lb to 5,000 lb	17812	\$185.00
10,000 to 25,000 lb	17814	\$357.00
50,000 lb	17816	\$1,197.00
75,000 lb	25346	\$1,197.00
3-Module Kit		
1,000 lb	18117	\$2,285.00
1,500 lb	18118	\$2,285.00
2,000 lb	18119	\$2,285.00
2,500 lb	18120	\$2,285.00
3,000 lb	18121	\$2,285.00
5,000 lb	18122	\$2,285.00
10,000 lb	18123	\$3,000.00
15,000 lb	18124	\$3,000.00
20,000 lb	18125	\$3,000.00
25,000 lb	18126	\$3,000.00
50,000 lb	18127	\$6,305.00
75,000 lb	25348	\$6,305.00
4-Module Kit		
1,000 lb	18129	\$2,925.00
1,500 lb	18130	\$2,925.00
2,000 lb	18131	\$2,925.00
2,500 lb	18132	\$2,925.00
3,000 lb	18133	\$2,925.00
5,000 lb	18134	\$2,925.00
10,000 lb	18135	\$3,875.00
15,000 lb	18136	\$3,875.00
20,000 lb	18137	\$3,875.00
25,000 lb	18138	\$3,875.00
50,000 lb	18139	\$8,425.00
75,000 lb	25349	\$8,425.00

VPG Sensortronics 65016 Order Information

Load Rating (Per Module)	Part #	Price
3-Module Kit		
1,000 lb	18189	\$2,685.00
1,500 lb	18190	\$2,685.00
2,500 lb	18192	\$2,685.00
5,000 lb	18194	\$2,685.00
10,000 lb	18195	\$3,400.00
15,000 lb	18196	\$3,400.00
20,000 lb	18197	\$3,400.00
25,000 lb	18198	\$3,400.00
50,000 lb	18199	\$6,800.00
75,000 lb	25350	\$6,800.00
4-Module Kit		
1,000 lb	18201	\$3,485.00
1,500 lb	18202	\$3,485.00
2,500 lb	18204	\$3,485.00
5,000 lb	18206	\$3,485.00
10,000 lb	18207	\$4,465.00
15,000 lb	18208	\$4,465.00
20,000 lb	18209	\$4,465.00
25,000 lb	18210	\$4,465.00
50,000 lb	18211	\$8,920.00
75,000 lb	25351	\$8,920.00
Dummy Load Cells		
1,000 lb to 5,000 lb	18236	\$26.00
10,000 lb to 25,000 lb	18237	\$42.00
50,000 lb	18238	\$56.00

Complete Kit Includes

- Three or four RL1600 mild steel compression mounts with RL75016 environmentally protected double-ended shear beam load cells
- One JB4SS NEMA Type 4X stainless steel signal trim junction box
- 25 ft of our hostile environment EL147HE SURVIVOR® load cell cable

Standard Features

- Capacities (per module): 1,000 to 75,000 lb
- Coated mild steel construction
- Self-checking, easy-to-use design allows module to be bolted directly to tank leg without requiring additional mounting plates or load buttons
- Double-ended shear beam design, center loaded
- Compatible with VPG® Sensortronics 65016 load cells

Applications

- Medium- to heavy-capacity tanks, bins and hoppers
- Bulk material management

LOAD CELLS / WEIGH MODULES

Shims, Mild Steel

	Part #	Price
1,000 lb to 5,000 lb		
0.0625 in	150844	\$2.00
0.125 in	150845	\$3.00
0.250 in	150846	\$3.00
10,000 lb to 25,000 lb		
0.0625 in	150847	\$5.00
0.125 in	150848	\$7.50
0.250 in	150849	\$8.00
50,000 lb to 75,000 lb		
0.0625 in	150850	\$7.00
0.125 in	150851	\$9.00
0.250 in	150866	\$7.50

RL1600 Series

Mild Steel Weigh Modules, Rice Lake Weighing Systems

LOAD CELLS /
WEIGH MODULES

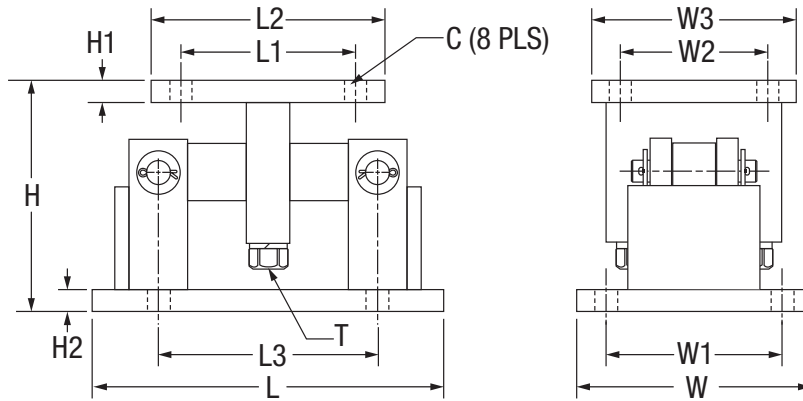
Load Cell Upgrade

RL75016SS Stainless Steel Load Cells	
Three mount kits, 1,000 lb to 25,000 lb	\$75.00 added to list price
Four mount kits, 1,000 lb to 25,000 lb	\$100.00 added to list price
RL75016WHE Stainless Steel Hermetic Load Cells	
Three mount kits 1,000 lb to 5,000 lb	\$540.00, 10 k-25 k \$588.00 added to list price
Four mount kits 1,000 lb to 5,000 lb	\$720.00, 10 k-25 k \$784.00 added to list price

Contact factory for a 50,000 lb to 75,000 lb adder for stainless only

Dimensions

Rated Capacity	C	H	H1	H2	L	L1	L2	L3	T	W	W1	W2	W3
1,000 to 5,000	0.56	5.00	0.50	0.50	9.25	2.75	4.00	6.25	1/2-13 UNC	5.00	3.75	2.75	4.00
10,000 to 25,000	0.78	7.87	0.75	0.75	12.00	6.00	8.00	7.50	3/4-10 UNC	8.00	6.00	6.00	8.00
50,000 to 75,000	0.78	9.25	1.00	1.00	16.25	6.50	9.00	11.50	1 1/4-7 UNC	12.00	9.50	6.50	9.00



RL1600 Series SS

Stainless Steel Weigh Modules, Rice Lake Weighing Systems



Picture is a representation of actual product.

Load Cell Approvals



Order Information

Load Rating (Per Module)	Part #	Price
Single Module (Does NOT Include Load Cell)		
1,000 lb to 5,000 lb	17813	\$685.00
10,000 lb to 25,000 lb	17815	\$1,345.00
50,000 lb	17842	\$3,185.00
75,000 lb	25347	\$3,185.00
3-Module Kit		
1,000 lb	18141	\$3,820.00
1,500 lb	18142	\$3,820.00
2,000 lb	18143	\$3,820.00
2,500 lb	18144	\$3,820.00
5,000 lb	18145	\$3,820.00
10,000 lb	18146	\$5,830.00
15,000 lb	18147	\$5,830.00
20,000 lb	18148	\$5,830.00
25,000 lb	18149	\$5,830.00
50,000 lb	18150	\$13,255.00
75,000 lb	25352	\$13,255.00
4-Module Kit		
1,000 lb	18152	\$4,988.00
1,500 lb	18153	\$4,988.00
2,000 lb	18154	\$4,988.00
2,500 lb	18155	\$4,988.00
5,000 lb	18156	\$4,988.00
10,000 lb	18157	\$7,959.00
15,000 lb	18158	\$7,959.00
20,000 lb	18159	\$7,959.00
25,000 lb	18160	\$7,959.00
50,000 lb	18161	\$17,895.00
75,000 lb	25353	\$17,895.00

VPG Sensortronics 65016W Order Information

Load Rating (Per Module)	Part #	Price
3-Module Kit		
1,000 lb	18213	\$4,090.00
1,500 lb	18214	\$4,090.00
2,500 lb	18216	\$4,090.00
5,000 lb	18217	\$4,090.00
10,000 lb	18218	\$6,280.00
15,000 lb	18219	\$6,280.00
20,000 lb	18220	\$6,280.00
25,000 lb	18221	\$6,280.00
50,000 lb	18222	\$13,815.00
75,000 lb	25354	\$13,815.00
4-Module Kit		
1,000 lb	18224	\$5,375.00
1,500 lb	18225	\$5,375.00
2,500 lb	18227	\$5,375.00
5,000 lb	18228	\$5,375.00
10,000 lb	18229	\$8,290.00
15,000 lb	18230	\$8,290.00
20,000 lb	18231	\$8,290.00
25,000 lb	18232	\$8,290.00
50,000 lb	18233	\$18,225.00
75,000 lb	25355	\$18,225.00
Dummy Load Cells (Mild Steel)		
1,000 lb to 5,000 lb	18236	\$26.00
10,000 lb to 25,000 lb	18237	\$42.00
50,000 lb	18238	\$56.00

Complete Kit Includes

- Three or four RL1600 stainless steel compression mounts with RL75016SS environmentally protected stainless steel double-ended shear beam load cells
- One JB4SS NEMA Type 4X stainless steel signal trim junction box
- 25 ft of hostile environment EL147HE SURVIVOR® load cell cable

Standard Features

- Capacities (per module): 1,000 to 75,000 lb
- Stainless steel construction
- Self-checking, easy-to-use design allows module to be bolted directly to tank leg without requiring additional mounting plates or load buttons
- Double-ended shear beam design, center loaded
- Compatible with VPG® Sensortronics 65016W SS load cells

Applications

- Medium- to heavy-capacity tanks, bins and hoppers
- Bulk material management

LOAD CELLS / WEIGH MODULES

Shims, Stainless

	Part #	Price
1,000 lb to 5,000 lb		
0.0625	150852	\$7.00
0.125	150853	\$12.00
0.250	150854	\$18.00
10,000 lb to 25,000 lb		
0.0625	150855	\$19.00
0.125	150856	\$30.00
0.250	150857	\$65.00
50,000 lb to 75,000 lb		
0.0625	150858	\$27.00
0.125	150859	\$38.00
0.250	150861	\$79.00

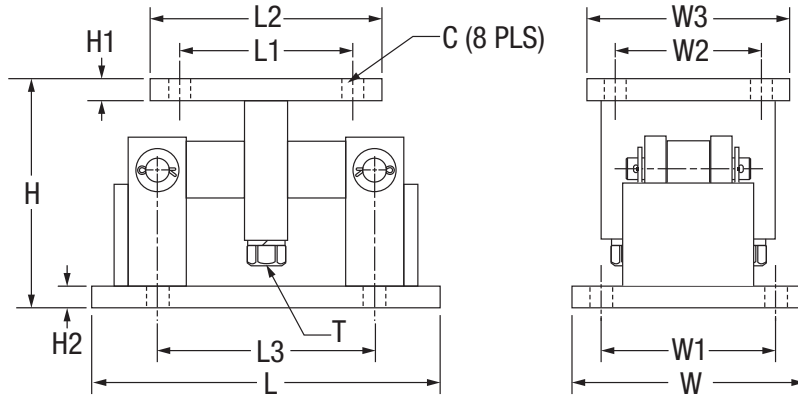
RL1600 Series SS

Stainless Steel Weigh Modules, Rice Lake Weighing Systems

LOAD CELLS /
WEIGH MODULES

Dimensions

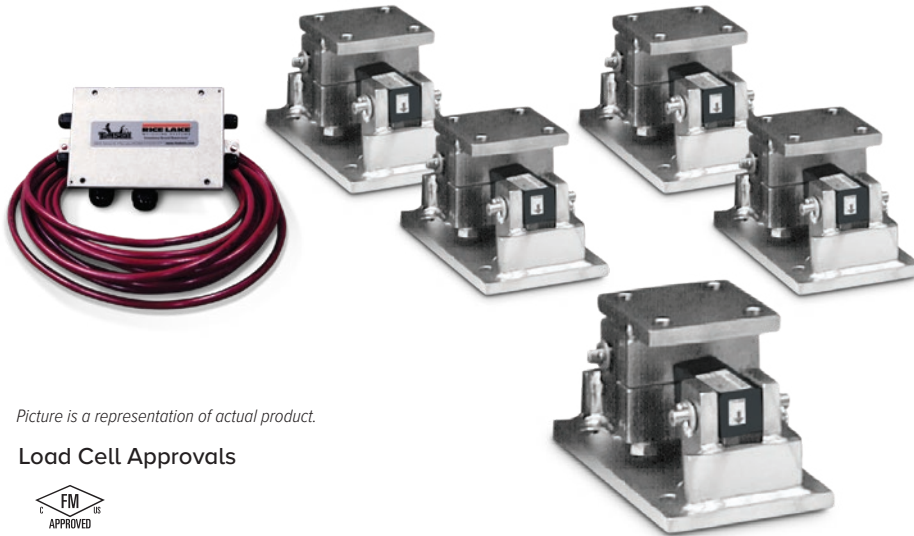
Rated Capacity	C	H	H1	H2	L	L1	L2	L3	T	W	W1	W2	W3
1,000 to 5,000	0.56	5.00	0.50	0.50	9.25	2.75	4.00	6.25	1/2-13UNC	5.00	3.75	2.75	4.00
10,000 to 25,000	0.78	7.87	0.75	0.75	12.00	6.00	8.00	7.50	3/4-10UNC	8.00	6.00	6.00	8.00
50,000 to 75,000	0.78	9.25	1.00	1.00	16.25	6.50	9.00	11.50	1 1/4-7UNC	12.00	9.50	6.50	9.00



RL1600 Series Coated Load Cell Version

Stainless Steel Weigh Modules, Rice Lake Weighing Systems

LOAD CELLS /
WEIGH MODULES



Picture is a representation of actual product.

Load Cell Approvals



Order Information

Load Rating (Per Module)	Part #	Price
Single Module (Does NOT Include Load Cell)		
1,000 lb to 5,000 lb	17813	\$685.00
10,000 lb to 25,000 lb	17815	\$1,345.00
50,000 lb	17842	\$3,185.00
75,000 lb	25347	\$3,185.00
3-Module Kit		
1,000 lb	199023	\$3,820.00
1,500 lb	199025	\$3,820.00
2,000 lb	199027	\$3,820.00
2,500 lb	199029	\$3,820.00
3,000 lb	199031	\$3,820.00
5,000 lb	199033	\$3,820.00
10,000 lb	199035	\$5,830.00
15,000 lb	199037	\$5,830.00
20,000 lb	199038	\$5,830.00
25,000 lb	199040	\$5,830.00
50,000 lb	199042	\$13,255.00
75,000 lb	199044	\$13,255.00
4-Module Kit		
1,000 lb	199024	\$4,985.00
1,500 lb	199026	\$4,985.00
2,000 lb	199028	\$4,985.00
2,500 lb	199030	\$4,985.00
3,000 lb	199032	\$4,985.00
5,000 lb	199034	\$4,985.00
10,000 lb	199036	\$7,955.00
15,000 lb	199056	\$7,955.00
20,000 lb	199039	\$7,955.00
25,000 lb	199041	\$7,955.00
50,000 lb	199043	\$17,895.00
75,000 lb	199045	\$17,895.00

Dimensions

Rated Capacity	C	H	H1	H2	L	L1	L2	L3	T	W	W1	W2	W3
1,000 to 5,000	0.56	5.00	0.50	0.50	9.25	2.75	4.00	6.25	1/2-13 UNC	5.00	3.75	2.75	4.00
10,000 to 25,000	0.78	7.87	0.75	0.75	12.00	6.00	8.00	7.50	3/4-10 UNC	8.00	6.00	6.00	8.00
50,000 to 75,000	0.78	9.25	1.00	1.00	16.25	6.50	9.00	11.50	1 1/4-7 UNC	12.00	9.50	6.50	9.00

Complete Kit Includes

- Three or four RL1600 stainless steel compression mounts with RL75016 coated alloy steel, environmentally sealed, double ended shear beam load cells
- One JB4SS NEMA Type 4X stainless steel signal trim junction box
- 25 ft of hostile environment EL147HE SURVIVOR® load cell cable

Standard Features:

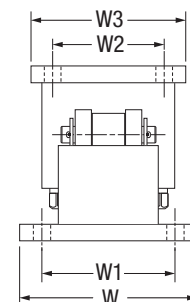
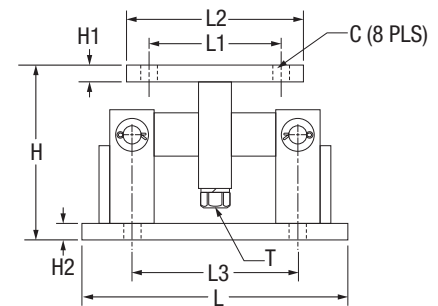
- Capacities (per module): 1,000 to 75,000 lb
- Stainless steel construction (mounts)
- Self-checking, easy-to-use design allows module to be bolted directly to tank leg without requiring additional mounting plates or load buttons
- Double-ended shear beam design, center loaded

Applications

- Medium- to heavy-capacity tanks, bins and hoppers
- Bulk material management

Shims, Stainless

	Part #	Price
1,000 lb to 5,000 lb		
0.0625	150852	\$7.00
0.125	150853	\$12.00
0.250	150854	\$18.00
10,000 lb to 25,000 lb		
0.0625	150855	\$19.00
0.125	150856	\$30.00
0.250	150857	\$65.00
50,000 lb to 75,000 lb		
0.0625	150858	\$27.00
0.125	150859	\$38.00
0.250	150861	\$79.00



MVS Mount/MVS

Conversion Kit

LOAD CELLS /
WEIGH MODULES



Picture is a representation of actual product.

Load Cell Approvals



Order Information

Load Rating (Per Module)	Part #	Price
MVS Mount (Does NOT Include Load Cell)		
10,000 lb to 25,000 lb	71200	\$725.00
50,000 lb to 75,000 lb	46441	\$865.00
100,000 lb to 125,000 lb	68520	\$1,475.00
MVS Conversion Kits (Includes 75,000 lb* Load Cells, Mounts and Junction Box)		
4-module kit	68495	\$7,505.00
6-module kit	68496	\$11,050.00
8-module kit	68497	\$15,020.00
10-module kit	68498	\$19,465.00
Dummy Load Cell		
50,000 lb to 75,000 lb	169388	\$175.00
100,000 lb to 125,000 lb	159696	\$212.00

Custom heights available; Consult

* Consult for other capacity requirements

Complete Kit Includes

- Four to ten MVS mild steel mounts with RL75058-LP 75,000 lb NTEP Certified alloy steel environmentally sealed double-ended beam load cells.
- One JB8SPT NEMA 4 Type signal trim junction box (JB1010 on 10 module kit)
- 100 ft of our hostile environment EL147HE SURVIVOR® load cell cable

Standard Features

- Capacity (per module): 10,000 to 125,000 lb
- Mild steel construction
- Specially hardened center link
- Self-checking design
- Self-centering design
- Accommodates thermal expansion and contraction
- Compatible with VPG® Sensortronics 65058 or VPG® Celtron CLB

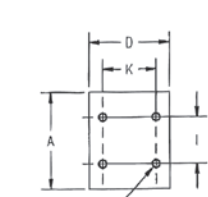
Applications

- Truck scale conversion
- Heavy-capacity horizontal tanks

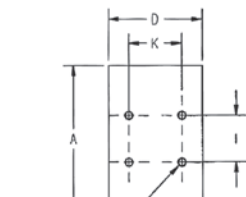
Dimensions

Rated Capacity	A	B	C	D	E	F	G	H	I	J	K
lb/in											
10,000 to 25,000	7.25	14.00	7.00	6.00	7.00	5.25	4.50	11.50	3.50	8.50	4.00
50,000 to 75,000	11.00	14.25	12.00	7.00	—	11.00	10.00	7.25	3.50	11.53	4.00
100,000 to 125,000	12.50	14.75	17.25	9.00	—	12.75	14.25	11.25	5.00	14.21	6.00

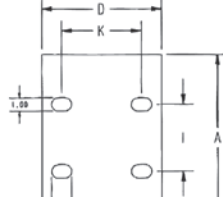
TOP VIEW OF TOP PLATES



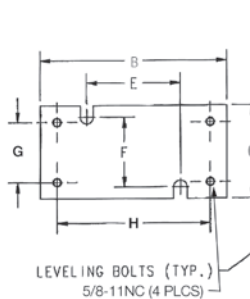
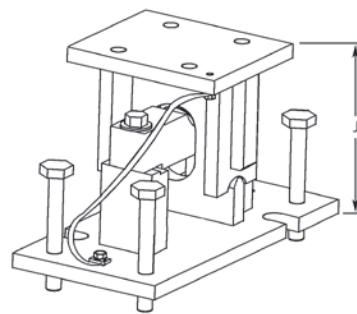
10K-25K



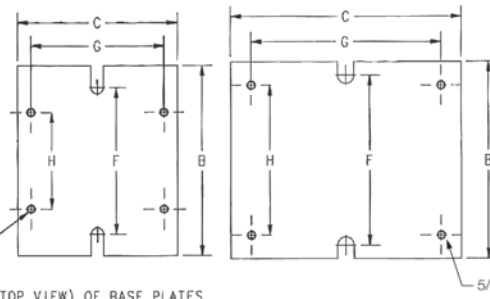
50K-75K



100K-125K



(TOP VIEW) OF BASE PLATES



5/8-11NC (4 PLCS)

Translink™ Parallel Link

Truck Scale Assembly, Rice Lake Weighing Systems

LOAD CELLS /
WEIGH MODULES



Mount only; does not include load cell.
Picture is a representation of actual product.

Standard Features

- Capacities (per module): 25,000 to 100,000 lb
- Painted mild steel construction
- Center-supported, end-loaded double-ended shear beam design
- Free movement in all directions in the horizontal plane with virtually no friction
- Links provide optimal loading conditions for the cell
- Completely self-centering
- Requires no check rods
- Utilizes cells with 3 mV/V output
- Compatible with Rice Lake RL75223 and RL75040, VPG® Revere 5223 and VPG® Sensortronics 65040A load cells

Applications

- Truck scale mount
- Heavy-capacity horizontal tanks

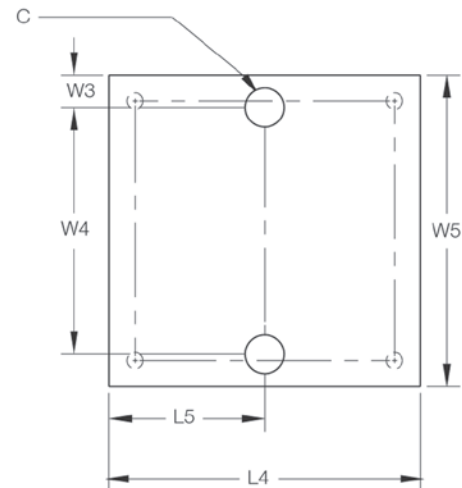
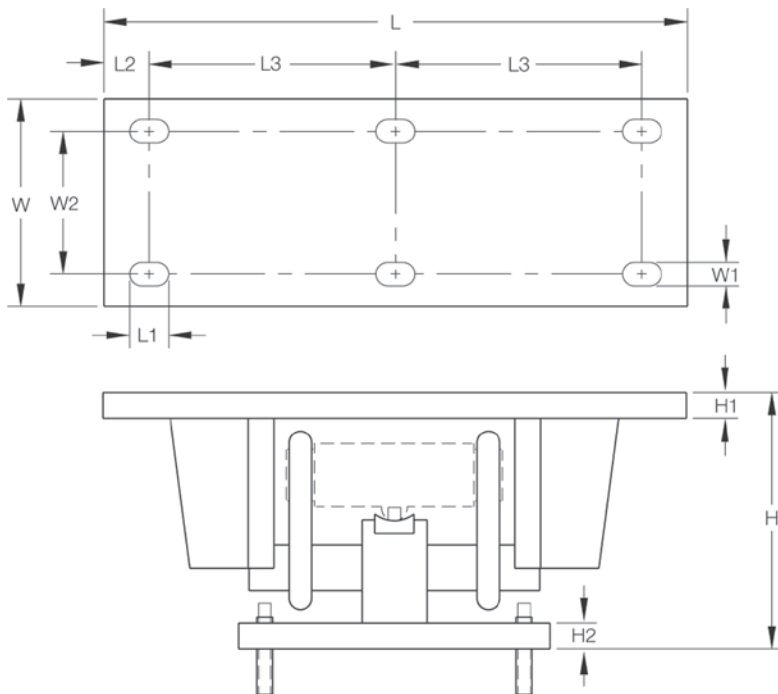
Order Information

Load Rating (Per Module)	Part #	Price
For Use With RL75223, 5223 Load Cells		
50,000 lb to 100,000 lb	17970	\$885.00
For Use With RL75040, 65040A Load Cells		
25,000 lb to 40,000 lb	17971	\$885.00
50,000 lb to 75,000 lb	17972	\$885.00

Mount only; does not include load cell

Dimensions

Rated Capacity lb/in	C	H	H1	H2	L	L1	L2	L3	L4	L5	W	W1	W2	W3	W4	W5
50,000 to 100,000 (RL75223, 5223)	1.50	12.93	1.00	1.00	22.50	1.50	1.75	9.50	11.75	5.88	7.75	0.91	5.25	1.25	9.25	11.75
25,000 to 40,000 (RL75040, 65040A)	1.50	9.88	1.00	1.00	18.50	1.50	1.75	7.50	11.75	5.88	7.75	0.91	5.25	1.25	9.25	11.75
50,000 to 75,000 (RL75040, 65040A)	1.50	12.82	1.00	1.00	22.50	1.50	1.75	9.50	11.75	5.88	7.75	0.91	5.25	1.25	9.25	11.75



Motor Truck Scale Electronic Conversion Kit

Rice Lake Weighing Systems

LOAD CELLS / WEIGH MODULES



Picture is a representation of actual product.

Complete Kit Includes

- Four, six or eight Translink mounting assemblies with NTEP Certified RL75040 or RL75223 welded-seal load cells
- One JB8SP NEMA Type 4X signal-trim junction box with individual and section trimming capability (six- and eight-mount kits) or one JB4SP NEMA Type 4X signal-trim junction box (four-mount kits)
- One UJB3T6 DC transient protector
- 100 ft of hostile environment EL147HE SURVIVOR® load cell cable

Standard Features

- Capacity (per module): 25,000 to 100,000 lb
- Cost and time efficient installation; no need to remove weighbridge
- Converts existing scale capacities of 40,000 to 300,000 lb
- Four, six or eight-mount kits for two, three or four section conversions
- Translink™ heavy-capacity mounting assemblies
- Free movement in all directions in the horizontal plane with virtually no friction
- Completely self-centering
- Requires no check rods
- Compatible with VPG® Sensortronics 65040A or VPG® Revere 5223 load cells

Order Information

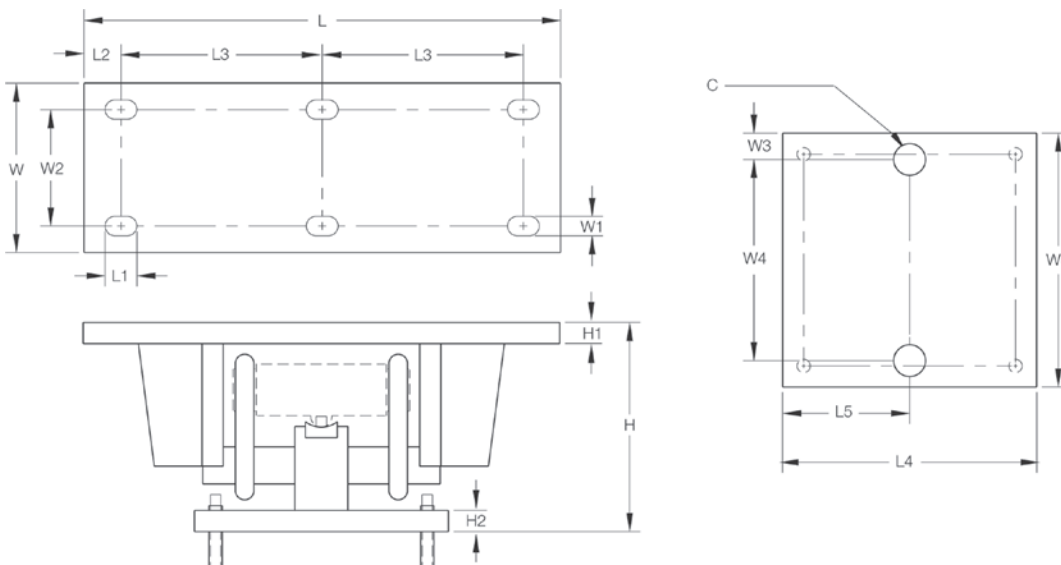
Load Cell Capacity (Per Module)	Part #	Load Cell Used In Kit	Price
4-Module Kit			
25,000 lb	30513	RL75040	\$6,324.00
40,000 lb	30514	RL75040	\$6,854.00
6-Module Kit			
50,000 lb	30515	RL75040	\$10,765.00
60,000 lb	30516	RL75040	\$10,765.00
8-Module Kit			
60,000 lb	30517	RL75040	\$13,899.00
75,000 lb	30518	RL75040	\$13,899.00
100,000 lb	30512	RL75223	\$16,787.00

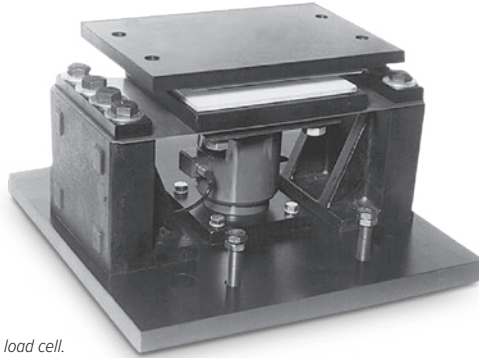
SD refers to super duty, 100,000 lb capacity welded-seal load cells

Dimensions

Rated Capacity	C	H*	H1	H2	L	L1	L2	L3	L4	L5	W	W1	W2	W3	W4**	W5
lb/in																
50,000 to 100,000 (RL75223)	1.50	12.93	1.00	1.00	22.50	1.50	1.75	9.50	11.75	5.88	7.75	0.91	5.25	1.25	9.25	11.75
25,000 to 40,000 (RL75040)	1.50	9.88	1.00	1.00	18.50	1.50	1.75	7.50	11.75	5.88	7.75	0.91	5.25	1.25	9.25	11.75
50,000 to 75,000 (RL75040)	1.50	12.82	1.00	1.00	22.50	1.50	1.75	9.50	11.75	5.88	7.75	0.91	5.25	1.25	9.25	11.75

*Custom heights available; consult





Mount only; does not include load cell.
Picture is a representation of actual product.

Standard Features

- Capacities (per module): 50,000 lb, 100,000 lb and 200,000 lb
- Protects load cell from shock and side loads
- Low-profile design
- High-strength load bearing plate made of highgrade carbon steel hardened to Rockwell C 48-54
- PTFE-coated shock absorbing pads
- Compatible with VPG® Revere CP and CSP and Rice Lake Weighing Systems® RLCSP1 NTEP Certified load cells

Applications

- Truck scale mount*
- Heavy-capacity horizontal tanks*
- Railroad track mount*

*Check rods required

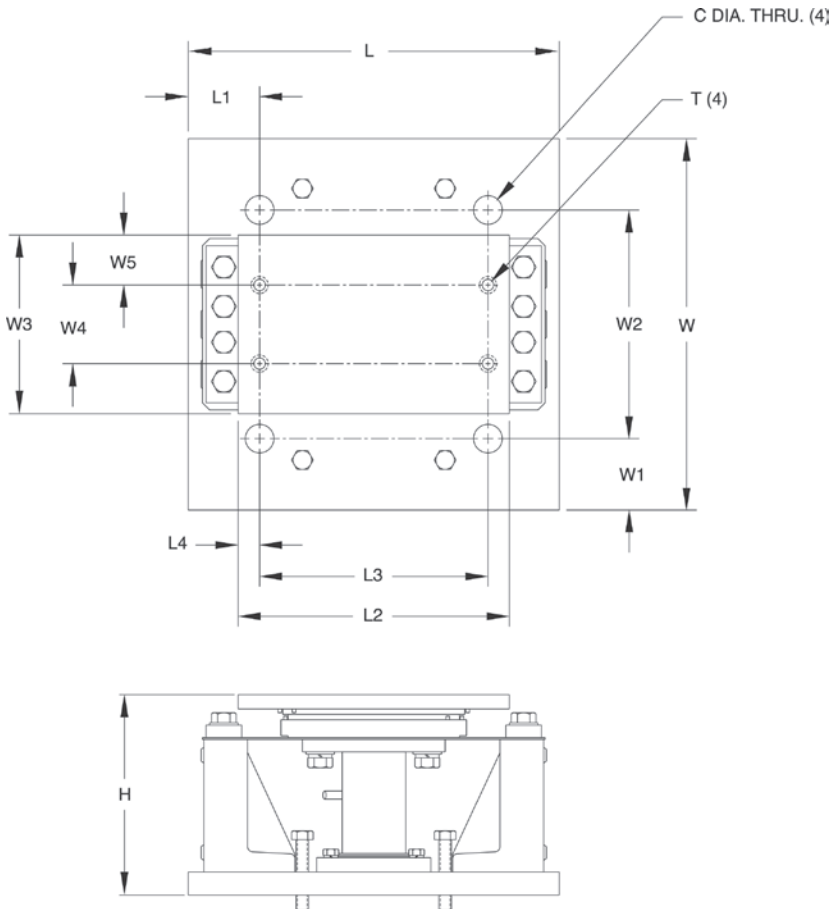
Order Information

Load Rating (Per Module)	Part #	Price
50,000 lb	21723	\$2,225.00
100,000 lb	21724	\$2,650.00
200,000 lb	17974	\$4,595.00

Mount only; does not include load cell

Dimensions

Rated Capacity	C	H	L	L1	L2	L3	L4	T	W	W1	W2	W3	W4	W5
50,000	1.25	7.39	13.00	1.75	11.25	8.50	1.37	3/4-10 UNC	12.00	1.75	8.50	8.00	4.50	1.75
100,000	1.50	11.29	20.00	2.25	18.00	15.50	1.25	7/8-9 UNC	17.00	2.50	12.00	9.00	5.50	1.75
200,000	2.00	14.10	26.00	5.00	19.00	16.00	1.50	1-8 UNC	26.00	5.00	16.00	12.50	5.50	3.50



Mettler Toledo® DigiTOL® Retrofit Kit

Stainless Steel, Rice Lake Weighing Systems/Flintec

LOAD CELLS /
WEIGH MODULES

RC1 Load Cells



Shown here with the JB8SP signal trim junction box.
Picture is a representation of actual product.

Load Cell Approvals



DigiTOL Retrofit Order information

Description	Part #	Price
8 mount kit (RC1 - 250 kN) 1 JB8SP junction box	78713	\$9,485.00
10 mount kit (RC1 - 250 kN) 2 JB8SP junction boxes	78714	\$11,535.00
12 mount kit (RC1 - 250 kN) 3 EL304 junction boxes	152774	\$14,225.00

Complete Kit Includes

- Eight, ten or twelve Flintec NTEP Certified RC1-250 kN or RC3-50t stainless steel, hermetically sealed rocker column load cells with cups
- One JBSP NEMA Type 4X signal trim junction box or one EL204
- 100 ft of hostile environment EL147HE SURVIVOR® load cell cable

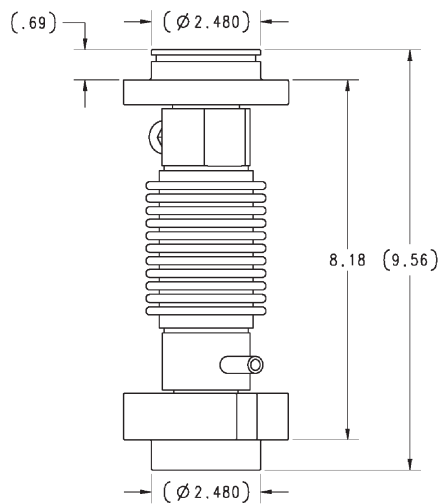
Standard Features

- Load cells are NTEP Certified 1:10,000 divisions, Class IIII*
- Converts existing Mettler-Toledo DigiTOL scale to an analog based load cell weighing system
- Rocker design load cells
- Load cups
- One-year limited warranty

*Consult your local Weights & Measures Authorities for local Legal for Trade requirements

Applications

- Mettler Toledo® DigiTOL® truck scale conversion



RC1-250KN

Mettler Toledo® DigiTOL® Retrofit Kit

Stainless Steel, Rice Lake Weighing Systems/Flintec

LOAD CELLS /
WEIGH MODULES

RC3 Load Cells



Shown here with the JB8SP signal trim junction box
Picture is a representation of actual product

Load Cell Approvals



DigiTOL Retrofit Order information

Description	Part #	Price
8 mount kit (RC3 - 50t) RR/track 2 EL304 junction boxes	129844	\$12,995.00
8 mount kit (RC3 - 50t) truck 2 EL304 junction boxes	154347	\$12,995.00
10 mount kit (RC3 - 50t) RR/track 2 JB8SP junction boxes	111367	\$16,100.00
10 mount kit (RC3 - 50t) truck 3 EL304 junction boxes	154348	\$16,100.00
12 mount kit (RC3 - 50t) truck 3 EL304 junction boxes	154349	\$19,295.00

Complete Kit Includes

- Eight, ten or twelve Flintec NTEP Certified RC1-250 kN or RC3-50t stainless steel, hermetically sealed rocker column load cells with cups
- One JBSP NEMA Type 4X signal trim junction box or one EL204
- 100 ft of hostile environment EL147HE SURVIVOR® load cell cable

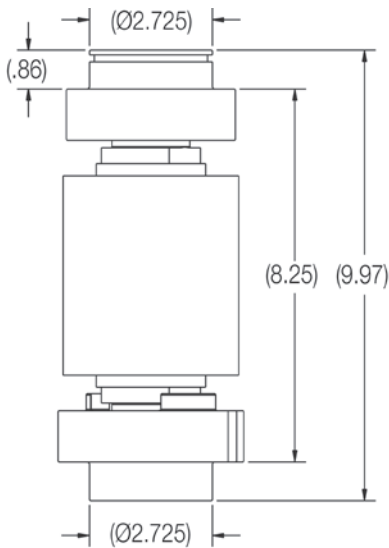
Standard Features

- Load cells are NTEP Certified 1:10,000 divisions, Class III*
- Converts existing Mettler-Toledo DigiTOL scale to an analog based load cell weighing system
- Rocker design load cells
- Load cups
- One-year limited warranty

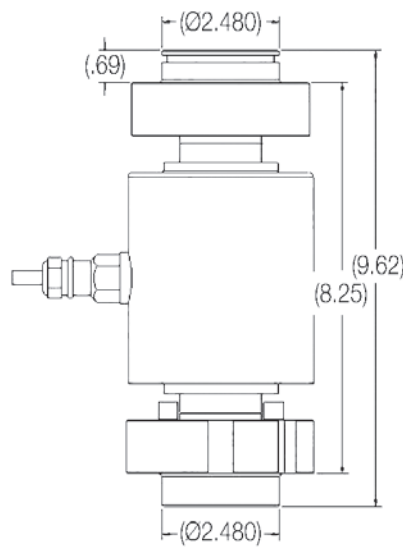
*Consult your local Weights & Measures Authorities for local Legal for Trade requirements

Applications

- Mettler Toledo® DigiTOL® truck scale conversion



RC3-50t
RR TRACK



RC3-50t
TRUCK

Rice Lake Analog Retrofit Kit

Stainless Steel, Analog Load Cells

LOAD CELLS /
WEIGH MODULES

RL82021-40t Load Cells



Shown here with the EL304A signal trim junction box. Picture is a representation of actual product.



Load Cell Approvals

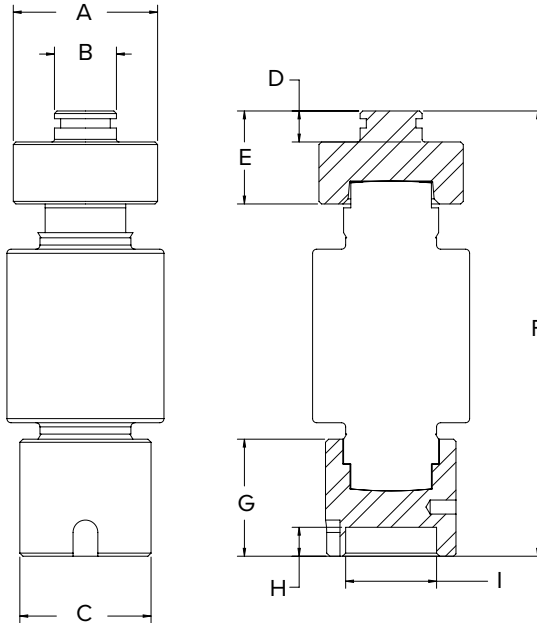


Digital Retrofit Order information

Description	Part #	Price
8 mount kit (RC1-56,000) 2 EL304A junction boxes	216423	\$7,795.00
10 mount kit (RC1-56,000) 3 EL304A junction boxes	216424	\$9,875.00

Dimensions

Analog Load Cells	
A	Ø2.75 in (70 mm)
B	Ø1.18 in (30 mm)
C	Ø2.50 in (64 mm)
D	0.59 in (15 mm)
E	1.77 in (45 mm)
F	8.48 in (215 mm)
G	2.23 in (57 mm)
H	0.55 in (14 mm)
I	Ø1.73 in (44 mm)



Complete Kit Includes

- Eight or ten RL82021-40t NTEP Certified stainless steel hermetically sealed load cells with upper and lower cups
- One EL304A NEMA Type 4X signal trim junction box
- 100 ft of hostile environment EL147HE SURVIVOR® load cell cable

Standard Features

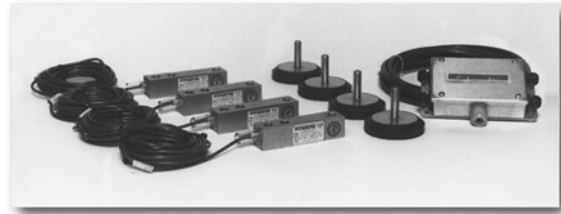
- Load cells are NTEP Certified 1:10,000 divisions, Class III*
- Converts B-TEK digital CPD-M scales to analog
- Load cells have built-in surge protection and rated to IP69K
- Stainless steel overbraided cable
- Rocker design load cells
- Load cups
- Two-year limited warranty

*Consult your local Weights & Measures Authorities for local Legal for Trade requirements

Applications

- B-TEK digital truck scale conversion

Electronic Floor Scale Underdeck Kits



Underdeck kits are provided to meet the application needs of the electronic floor scale producer and are an easy source for rebuilding existing floor scales. Underdeck kits are provided with mounting plates and load cell bolts for easy installation.

Economical Kit

Kit Includes

- (4) VPG® Celtron SQB alloy steel NTEP Certified 5,000 d, Class III load cells
- (1) JB4SS stainless steel NEMA Type 4X junction box
- (4) SureFoot® high-accuracy stainless steel support feet
- 20 ft EL147HE load cell cable
- (4) mounting plates and (8) load cell bolts

Order Information

Scale Base Capacity	Part #	Price
1,000 lb for 2,000 lb base	26436	\$980.00
2,500 lb for 5,000 lb base	26437	\$980.00
4,000 lb for 10,000 lb base	26438	\$980.00

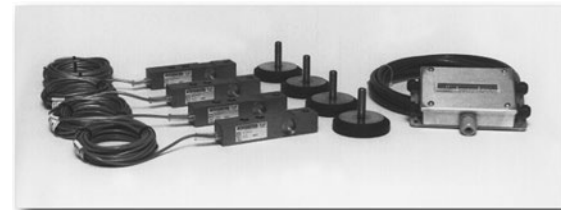
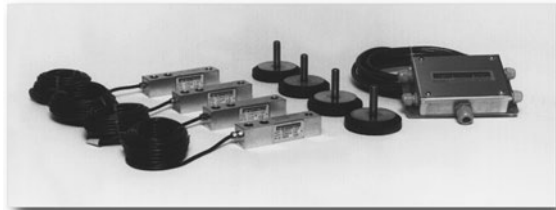
Chemical, Dry Corrosive & Non-Washdown Applications Kit

Kit Includes

- (4) VPG® Celtron SQB-HSS stainless steel NTEP Certified 5,000 d, Class III load cells
- (1) JB4SS stainless steel NEMA Type 4X junction box
- (4) SureFoot® high-accuracy stainless steel support feet
- 20 ft EL147HE load cell cable
- (4) mounting plates and (8) load cell bolts

Order Information

Scale Base Capacity	Part #	Price
1,000 lb for 2,000 lb base	19035	\$1,378.00
2,500 lb for 5,000 lb base	19036	\$1,378.00
4,000 lb for 10,000 lb base	19037	\$1,378.00



Standard Precision Applications Kit

Kit Includes

- (4) Rice Lake RL32018 alloy steel NTEP Certified 5,000 d, Class III load cells
- (1) JB4SS stainless steel NEMA Type 4X junction box
- (4) SureFoot high-accuracy stainless steel support feet
- 20 ft EL147HE load cell cable
- (4) mounting plates and (8) load cell bolts

NOTES: The use of NTEP Certified load cells in a scale base does not constitute approval of the completed base. Consult with local or state jurisdiction for compliance requirements.

Order Information

Scale Base Capacity	Part #	Price
1,000 lb for 2,000 lb base	19032	\$1,060.00
2,500 lb for 5,000 lb base	19033	\$1,060.00
4,000 lb for 10,000 lb base	19034	\$1,060.00

Wet Applications Kit

Kit Includes

- (4) Rice Lake RL32018S-HE welded-seal stainless steel NTEP Certified 5,000 d, Class III load cells
- (1) JB4SS stainless steel NEMA Type 4X junction box
- (4) SureFoot® high-accuracy stainless steel support feet
- 20 ft EL147HE load cell cable
- (4) mounting plates and (8) load cell bolts

Order Information

Scale Base Capacity	Part #	Price
1,000 lb for 2,000 lb base	19038	\$1,706.00
2,500 lb for 5,000 lb base	19039	\$1,706.00
4,000 lb for 10,000 lb base	19040	\$1,706.00

RL20000I

Alloy Steel, Environmentally Sealed, NTEP Certified 1:5,000 III/1:10,000 IIII, IP67

LOAD CELLS /
WEIGH MODULES



Picture is a representation of actual product.

Approvals



Order Information

Load Rating	Part #	Est. Weight	Price
25 lb	21428	2 lb	\$290.00
50 lb	21429	2 lb	\$290.00
75 lb	21430	2 lb	\$290.00
100 lb	21431	2 lb	\$290.00
150 lb	21432	2 lb	\$290.00
200 lb	21433	2 lb	\$290.00
250 lb	21434	2 lb	\$290.00
300 lb	21435	2 lb	\$290.00
500 lb	21436	2 lb	\$290.00
750 lb	21437	2 lb	\$290.00
1,000 lb	21438	2 lb	\$290.00
1,500 lb	21439	2 lb	\$290.00
2,000 lb***	21356	2 lb	\$358.00
2,000 lb	21440	2 lb	\$290.00
2,500 lb	21441	2 lb	\$290.00
3,000 lb	21442	4 lb	\$334.00
5,000 lb***	17044	4 lb	\$505.00
5,000 lb	21443	4 lb	\$466.00
10,000 lb	21444	4 lb	\$466.00
15,000 lb	21445	7 lb	\$588.00
20,000 lb***	17045	17 lb	\$993.00
20,000 lb	21446	17 lb	\$927.00
Conduit Adapter Kit* (must be factory installed to maintain warranty)			
3/8-24 nipple	31533*	1 lb	\$37.00
3/8-24 to 1/4-18 NPT	31534*	1 lb	\$37.00
Replacement Agriculture Scale Load Cell - 40 ft Cable			
10,000 lb	151746	5 lb	\$493.00

*PN 31533 and PN 31534 must be installed together to form the Conduit Adapter Kit

***These load cells have 30ft or 35ft of cable and trimmed outputs and are used in many batch plants

Dimensions

Rated Capacity	A	B	C	D	E
lb/in					
25 to 300	1/4-28 UNF	0.75	0.50	2.00	2.50
500 to 1,500	1/2-20 UNF	1.00	0.75	2.00	2.50
2,000 to 2,500	1/2-20 UNF	1.25	1.00	2.00	2.50
3,000	1/2-20 UNF	1.25	1.00	3.00	4.00
5,000 to 10,000	3/4-16 UNF	1.25	1.00	3.00	4.00
15,000	1-12 UNF	1.50	1.25	4.00	5.50
20,000	1 1/4-12 UNF	2.25	2.00	5.00	7.00

Interchangeable Products

ARTECH™

20210 (1-14 UNF) (15,000 lb thread is 1-12 UNF for Rice Lake model)

Weigh Module Available

RICE LAKE WEIGHING SYSTEMS
**ITCM Isolated
Tension Cell Mount**

Specifications

Full Scale Output:

3.0 mV/V

Output Resistance:

350 (± 3) ohm

Input Resistance:

385 (± 5) ohm

Material/Finish:

High-alloy steel, nickel plated

Temperature:

Compensated range
14 °F to 104 °F (-10 °C to 40 °C)
Operating range
0 °F to 150 °F (-18 °C to 65 °C)

Seal Type:

Environmentally sealed, IP67

Safe Overload:

150% full scale

Rated Excitation:

5 to 10 VDC (15 V maximum)

Combined Error:

0.02% full scale

Insulation Resistance:

5,000 megohm

Cable Length:

20 ft
30 ft (pn 17044 and 17045)
35 ft (pn 21356)

Cable Diameter:

0.200 in
Polyurethane jacket

Cable Color Code:

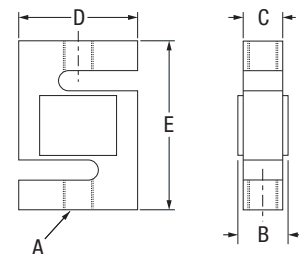
Red +Excitation
Black -Excitation
Green +Signal
White -Signal

Warranty:

Two-year limited

Approvals:

NTEP 90-158
cFMus



Stainless Steel, Environmentally Sealed, NTEP Certified 1:10,000 Class III L Single Cell, IP67



Picture is a representation of actual product.

Approvals



Order Information

Load Rating	Part #	Est. Weight	Price
NTEP Certified			
100 lb	46511	2 lb	\$312.00
250 lb	46503	2 lb	\$312.00
300 lb	181826	2 lb	\$312.00
500 lb	46504	2 lb	\$312.00
750 lb	46505	2 lb	\$312.00
1,000 lb	46506	2 lb	\$312.00
2,500 lb	46507	2 lb	\$312.00
3,000 lb	46508	4 lb	\$345.00
5,000 lb	46509	4 lb	\$503.00
10,000 lb	46510	4 lb	\$525.00
Non-NTEP Certified			
50 lb	17013	2 lb	\$312.00
15,000 lb	158375	7 lb	\$715.00
20,000 lb	158376	13 lb	\$948.00
Conduit Adapter Kit* (must be factory installed to maintain warranty)			
3/8-24 nipple	31533*	1 lb	\$37.00
3/8-24 to 1/4-18 NPT	31534*	1 lb	\$37.00

* PN 31533 and PN 31534 must be installed together to form the Conduit Adapter Kit

Dimensions

Rated Capacity	A	B	C	D	E
lb/in					
50 to 300	1/4-28 UNF	0.65	0.46	2.00	2.40
500 to 1,000	1/2-20 UNF	0.90	0.71	2.00	2.40
2,500	1/2-20 UNF	1.15	0.96	2.00	2.40
3,000	1/2-20 UNF	1.15	0.96	3.00	3.90
5,000	3/4-16 UNF	1.15	0.96	3.00	3.90
10,000	3/4-16 UNF	1.40	1.21	3.00	3.90
15,000	1-14 UNS	1.63	1.46	3.44	5.50
20,000	1 1/4-12 UNF	1.88	1.68	4.44	7.00

Interchangeable Products

VPG® REVERE
9363
 ARTECH®
20210

Weigh Module Available

RICE LAKE WEIGHING SYSTEMS
**ITCM Isolated
 Tension Cell Mount**

Specifications

Full Scale Output:

3.0 (± 0.008) mV/V

Output Resistance:

350 (± 3.5) ohm

Input Resistance:

390 (± 15) ohm

Material/Finish:

Stainless steel

Temperature:

Compensated range

14 °F to 104 °F (-10 °C to 40 °C)

Operating range

0 °F to 150 °F (-18 °C to 65 °C)

Seal Type:

Environmentally sealed, IP67

Safe Overload:

150% full scale

Rated Excitation:

5 to 10 VDC (15 V maximum)

Combined Error:

0.03% full scale

Insulation Resistance:

5,000 megohm

Cable Length:

20 ft

Cable Color Code:

Red +Excitation

Black -Excitation

Green +Signal

White -Signal

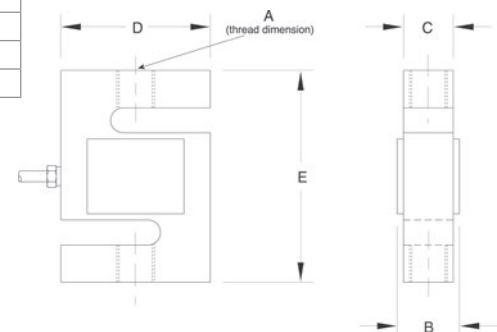
Warranty:

Two-year limited

Approvals:

NTEP CC 98-078

cFMus Approved



RL2000ST

Stainless Steel, Environmentally Sealed, NTEP Certified 1:10,000 Class III Single Cell, IP67

LOAD CELLS /
WEIGH MODULES



Picture is a representation of actual product.

Approvals



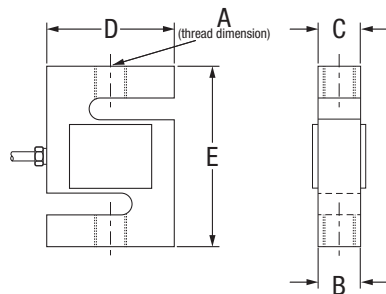
Order Information

Load Rating	Part #	Est. Weight	Price
50 lb	72741	2 lb	\$334.00
100 lb	72742	2 lb	\$334.00
200 lb	72743	2 lb	\$334.00
250 lb	72744	2 lb	\$334.00
300 lb	72745	2 lb	\$334.00
500 lb	72746	2 lb	\$334.00
750 lb	72747	2 lb	\$334.00
1,000 lb	72748	2 lb	\$334.00
1,500 lb	72749	2 lb	\$334.00
2,000 lb	72750	2 lb	\$334.00
2,500 lb	72751	2 lb	\$334.00
3,000 lb	72752	4 lb	\$440.00
5,000 lb	72753	4 lb	\$545.00
Conduit Adapter Kit* (must be factory installed to maintain warranty)			
3/8-24 nipple	31533*	1 lb	\$37.00
3/8-24 to 1/4-18 NPT	31534*	1 lb	\$37.00

*PN 31533 and PN 31534 must be installed together to form the Conduit Adapter Kit.

Dimensions

Rated Capacity	A	B	C	D	E
50 to 300	1/4-28 UNF	0.65	0.46	2.00	2.40
500 to 1,000	1/2-20 UNF	0.90	0.71	2.00	2.40
1,500 to 2,500	1/2-20 UNF	1.15	0.96	2.00	2.40
3,000	1/2-20 UNF	1.15	0.96	3.00	3.90
5,000	3/4-16 UNF	1.15	0.96	3.00	3.90



Specifications

- Full Scale Output:** 3.0 mV/V
- Output Resistance:** 350 (± 3.5) ohm
- Input Resistance:** 430 (± 60) ohm
- Material/Finish:** Stainless steel
- Temperature:** Compensated range 14 °F to 104 °F (-10 °C to 40 °C)
Operating range 0 °F to 150 °F (-18 °C to 65 °C)
- Seal Type:** Environmentally sealed, IP67
- Safe Overload:** 150% full scale
- Rated Excitation:** 5 to 10 VDC (15 V maximum)
- Combined Error:** 0.03% full scale
- Insulation Resistance:** 5,000 megohm
- Cable Length:** 20 ft
- Cable Diameter:** 0.190 in polyurethane jacket
- Cable Color Code:** Red +Excitation
Black -Excitation
Green +Signal
White -Signal
- Warranty:** Two-year limited
- Approvals:** NTEP 03-007
FM

Alloy Steel, Environmentally Sealed, NTEP Certified Single Cell 1:5,000 III/1:10,000 IIIL, IP67



Picture is a representation of actual product.

Approvals



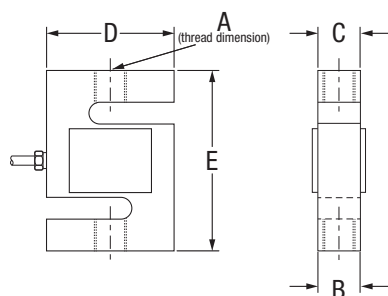
Order Information

Load Rating	Part #	Est. Weight	Price
250 lb	21402	2 lb	\$290.00
500 lb	21403	2 lb	\$290.00
750 lb	21404	2 lb	\$290.00
1,000 lb	21405	2 lb	\$290.00
1,500 lb	21406	2 lb	\$290.00
2,000 lb	21407	3 lb	\$290.00
2,500 lb	21408	4 lb	\$290.00
3,000 lb	21409	3 lb	\$334.00
5,000 lb	21410	4 lb	\$466.00
10,000 lb	21411	5 lb	\$466.00
15,000 lb	21412	7 lb	\$588.00
20,000 lb	21413	16 lb	\$927.00
Conduit Adapter Kit* (must be factory installed to maintain warranty)			
3/8-24 nipple	31533*	1 lb	\$37.00
3/8-24 to 1/4-18 NPT	31534*	1 lb	\$37.00

*PN 31533 and PN 31534 must be installed together to form the Conduit Adapter Kit

Dimensions

Rated Capacity	A	B	C	D	E
lb/in					
250	3/8-24 UNF	0.75	0.50	2.00	3.00
500 to 2,000	1/2-20 UNF	1.00	0.75	2.00	3.00
2,500 to 3,000	1/2-20 UNF	1.25	1.00	2.00	3.00
5,000	3/4-16 UNF	1.25	1.00	3.00	4.25
10,000	3/4-16 UNF	1.25	1.00	3.50	4.75
15,000	1-14 UNS	1.50	1.25	4.00	5.50
20,000	1 1/4-12 UNF	2.25	2.00	5.00	7.00



Interchangeable Products

VPG® CELTRON

STC

VPG® SENSORTRONICS®

60001

Weigh Module Available

RICE LAKE WEIGHING SYSTEMS

ITCM Isolated

Tension Cell Mount

Specifications

Full Scale Output:

3.0 mV/V

Output Resistance:

350 (± 3) ohm

Input Resistance:

385 (± 5) ohm

Material/Finish:

High-alloy steel, nickel plated

Temperature:

Compensated range

14 °F to 104 °F (-10 °C to 40 °C)

Operating range

0 °F to 150 °F (-18 °C to 65 °C)

Seal Type:

Environmentally sealed, IP67

Safe Overload:

150% full scale

Rated Excitation:

5 to 10 VAC/DC (15 V maximum)

Combined Error:

0.02% full scale

Insulation Resistance:

5,000 megohm

Cable Length:

20 ft

Cable Diameter:

0.200 in polyurethane jacket

Cable Color Code:

Red +Excitation

Black -Excitation

Green +Signal

White -Signal

Warranty:

Two-year limited

Approvals:

cFMus

NTEP 91-046

RL20001HE

Stainless Steel, Welded Seal, NTEP Certified 1:5,000 Class III/1:10,000 Class IIII Single Cell, IP68



Picture is a representation of actual product.

Approvals

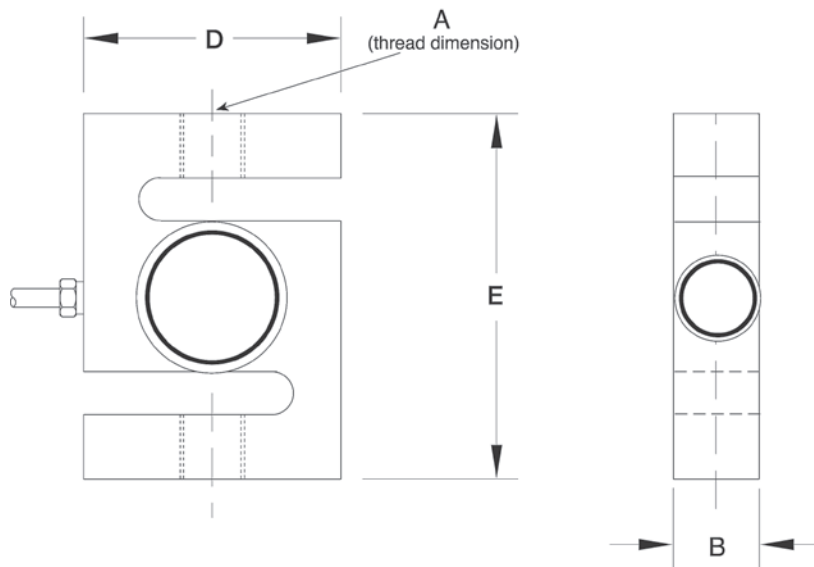


Order Information

Load Rating	Part #	Est. Weight	Price
NTEP Certified			
500 lb	46469	2 lb	\$900.00
750 lb	46470	2 lb	\$900.00
1,000 lb	46471	2 lb	\$900.00
1,500 lb	46472	2 lb	\$900.00
2,000 lb	46473	2 lb	\$900.00
2,500 lb	46474	2 lb	\$900.00
3,000 lb	46475	2 lb	\$900.00
5,000 lb	46476	5 lb	\$1,205.00
Non-NTEP Certified			
10,000 lb	36292	5 lb	\$1,205.00

Dimensions

Rated Capacity	A	B	D	E
lb/in				
500 to 3,000	1/2-20 UNF	1.00	2.00	3.00
5,000 to 10,000	3/4-16 UNF	1.00	3.50	4.75



Interchangeable Products

VPG® SENSORTRONICS®
60063

Weigh Module Available

RICE LAKE WEIGHING SYSTEMS
**ITCM HE Isolated
Tension Cell Mount**

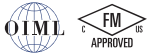
Specifications

Full Scale Output:
2.0 mV/V**Bridge Resistance:**
350 ohm, nominal**Material/Finish:**
Stainless steel**Temperature:**
Compensated range
14 °F to 104 °F (-10 °C to 40 °C)
Operating range
0 °F to 150 °F (-18 °C to 65 °C)**Seal Type:**
Welded-seal, IP68**Safe Overload:**
150% full scale**Rated Excitation:**
5 to 10 VDC (15 V maximum)**Combined Error:**
0.02% full scale**Insulation Resistance:**
5,000 megohm**Cable Length:**
20 ft**Cable Diameter:**
0.200 in polyurethane jacket**Cable Color Code:**
Red +Excitation
Black -Excitation
Green +Signal
White -Signal**Warranty:**
Two-year limited**Approvals:**
cFMus
NTEP 98-071



Picture is a representation of actual product.

Approvals



Order Information

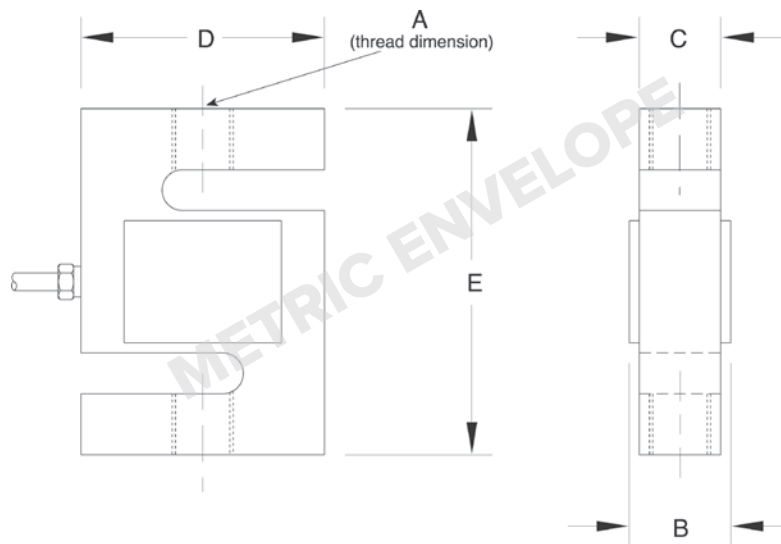
Load Rating	Part #	Est. Weight	Price
250 kg	31254	2 lb	\$312.00
500 kg	31255	2 lb	\$312.00
1,000 kg	31256	2 lb	\$312.00
2,500 kg	31257	3 lb	\$487.00

Dimensions

Rated Capacity	A	B	C	D	E
kg/mm					
250 to 1,000	M12 × 1.75-6H	25.4	19.1	50.8	76.0
2,500	M20 × 1.5-6H	31.8	25.4	76.2	108.0

Specifications

- Full Scale Output:**
3.0 mV/V ± 0.25%
- Bridge Resistance:**
350 ohm, nominal
- Material/Finish:**
Alloy steel
- Temperature:**
Operating range
0 °F to 150 °F (-18 °C to 65 °C)
- Seal Type:**
Environmentally sealed, IP67
- Safe Overload:**
150% full scale
- Rated Excitation:**
5 to 10 VAC/DC (15V maximum)
- Combined Error:**
0.02% full scale
- Insulation Resistance:**
5,000 megohm
- Cable Length:**
6 m
- Cable Diameter:**
0.200 in polyurethane jacket
- Cable Color Code:**
Red +Excitation
Black -Excitation
Green +Signal
White -Signal
- Warranty:**
Two-year limited
- Approvals:**
cFMus
OIML R60/1991-GB-95-09



RL32022

Alloy Steel, Environmentally Sealed, OIML C3, IP67

LOAD CELLS /
WEIGH MODULES



Picture is a representation of actual product.

Approvals



Order Information

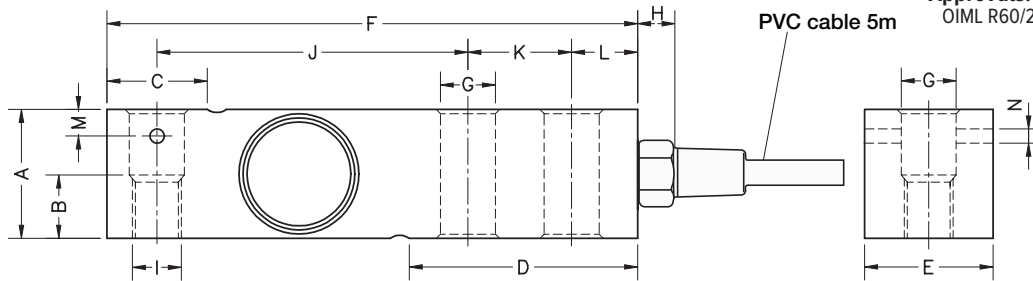
Load Rating	Part #	Est. Weight	Price
300 kg	211630	0.9 kg	\$312.00
500 kg	211631	0.9 kg	\$312.00
750 kg	211632	0.9 kg	\$312.00
1,000 kg	211633	0.9 kg	\$312.00
1,500 kg	211634	0.9 kg	\$312.00
2,000 kg	211635	0.9 kg	\$312.00

Dimensions

Rated Capacity	A	B	C	D	E	F	G	H	I	J	K	L	M	N
kg/mm														
300 to 2,000	31.5	15.0	34.6	56.0	31.5	130.0	13.5	18.0	M12	76.2	25.4	15.8	6.5	3.5

Specifications

- Full Scale Output:**
2.0 mV/V ± 0.05%
mV/V/ohm calibration
- Output Resistance:**
350 (± 3) ohm
- Input Resistance:**
400 (± 20) ohm
- Material/Finish:**
Alloy steel, nickel plated
- Temperature:**
Compensated range
-14 °F to 104 °F (-10 °C to 40 °C)
Operating range
0 °F to 150 °F (-18 °C to 65 °C)
- Seal Type:**
Environmentally sealed, IP67
- Safe Overload:**
150% full scale
- Safe Sideload:**
100% full scale
- Rated Excitation:**
10 VDC (15 V maximum)
- Combined Error:**
0.017% full scale
- Insulation Resistance:**
> 5,000 megohm
- Deflection:**
0.2 to 0.4 mm
- Cable Length:**
5 m
- Cable Color Code:**
Green +Excitation
Black -Excitation
Red +Signal
White -Signal
- Warranty:**
Two-year limited
- Approvals:**
OIML R60/2017-A-NL1-22.11





Picture is a representation of actual product.

Approvals



Order Information

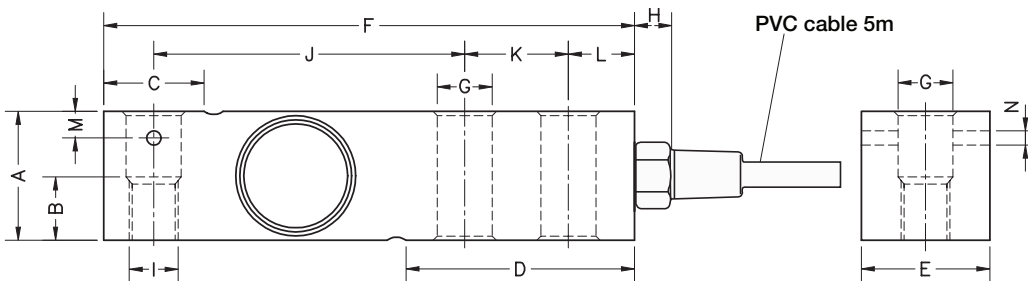
Load Rating	Part #	Est. Weight	Price
300 kg	211636	0.9 kg	\$350.00
500 kg	211637	0.9 kg	\$350.00
750 kg	211638	0.9 kg	\$350.00
1,000 kg	211639	0.9 kg	\$350.00
1,500 kg	211640	0.9 kg	\$350.00
2,000 kg	211641	0.9 kg	\$350.00
3,000 kg	211642	2.2 kg	\$445.00
5,000 kg	211643	2.2 kg	\$445.00

Dimensions

Rated Capacity	A	B	C	D	E	F	G	H	I	J	K	L	M	N
kg/mm														
300 to 2,000	31.5	15.0	34.6	56.0	31.5	130.0	13.5	18.0	M12	76.2	25.4	15.8	6.5	3.5
3,000 to 5,000	48.0	-	37.0	76.0	41.5	171.5	20.5	18.0	-	75.2	38.1	19.0	-	-

Specifications

- Full Scale Output:**
2.0 mV/V ± 0.05%
mV/V/ohm calibration
- Output Resistance:**
350 (± 3) ohm
- Input Resistance:**
400 (± 20) ohm
- Material/Finish:**
Stainless steel
- Temperature:**
Compensated range
-14 °F to 104 °F (-10 °C to 40 °C)
Operating range
0 °F to 150 °F (-18 °C to 65 °C)
- Seal Type:**
Hermetically sealed, IP69K
- Safe Overload:**
150% full scale
- Safe Sideload:**
100% full scale
- Rated Excitation:**
10 VDC (15 V maximum)
- Combined Error:**
0.017% full scale
- Insulation Resistance:**
> 5,000 megohm
- Deflection:**
0.2 to 0.4 mm
- Cable Length:**
5 m
- Cable Color Code:**
Green +Excitation
Black -Excitation
Red +Signal
White -Signal
- Warranty:**
Two-year limited
- Approvals:**
OIML



RL32018

Alloy Steel, Environmentally Sealed, NTEP Certified 1:5,000 Class III Multiple Cell, IP66

LOAD CELLS /
WEIGH MODULES



Picture is a representation of actual product.

Approvals



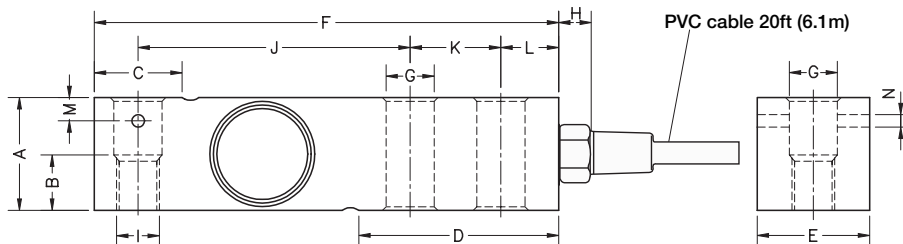
Order Information

Load Rating	Part #	Est. Weight	Price
NTEP Certified			
500 lb	189151	2 lb	\$312.00
1,000 lb	189152	2 lb	\$312.00
1,500 lb	191732	2 lb	\$312.00
2,000 lb	189153	2 lb	\$312.00
2,500 lb	189154	2 lb	\$312.00
3,000 lb	189155	5 lb	\$312.00
4,000 lb	189156	5 lb	\$312.00
5,000 lb SE	189157	5 lb	\$312.00
5,000 lb LE	189158	5 lb	\$398.00
10,000 lb	189159	5 lb	\$398.00
Non-NTEP Certified			
250 lb	189150	2 lb	\$312.00
15,000 lb*	189160	10 lb	\$683.00
20,000 lb*	189161	10 lb	\$683.00
With Overbraided Cable			
2,500 lb	209166	10 lb	\$350.00
20,000 lb*	197558	10 lb	\$768.00

SE=small envelope; LE=large envelope
* Pending NTEP

Dimensions

Rated Capacity	A	B	C	D	E	F	G	H	I	J	K	L	M	N
lb/in														
250 to 500	1.00	0.59	0.96	2.20	1.24	5.12	0.53	0.70	1/2-20 UNF	3.00	1.00	0.62	0.25	0.13
1,000 to 5,000 SE	1.24	0.59	0.96	2.20	1.24	5.12	0.53	0.70	1/2-20 UNF	3.00	1.00	0.62	0.25	0.13
5,000 LE to 10,000	1.50	-	1.45	2.99	1.50	6.75	0.80	0.70	3/4-16 UNF	3.75	1.50	0.75	-	-
15,000 to 20,000	2.00	-	-	4.00	2.00	8.75	1.06	-	1-14 UNS	4.90	2.00	1.00	-	-



Interchangeable Products

VPG® SENSORTRONICS®
65023A
VPG® CELTRON
SQB

Weigh Module Available

RICE LAKE WEIGHING SYSTEMS
RL50210TA
RICE LAKE WEIGHING SYSTEMS
RL1800 Series

Specifications

- Full Scale Output:**
3.0 mV/V ± 0.05%
mV/V/ohm calibration
- Output Resistance:**
350 (± 3) ohm
- Input Resistance:**
400 (± 20) ohm
- Material/Finish:**
Alloy steel, nickel plated
- Temperature:**
Compensated range
-14 °F to 104 °F (-10 °C to 40 °C)
Operating range
0 °F to 150 °F (-18 °C to 65 °C)
- Seal Type:**
Environmentally sealed, IP66
- Safe Overload:**
150% full scale
- Safe Sideload:**
100% full scale
- Rated Excitation:**
10 VDC (15 V maximum)
- Combined Error:**
0.017% full scale
- Insulation Resistance:**
> 5,000 megohm
- Deflection:**
0.2 to 0.4 mm
- Cable Length:**
20 ft
- Cable Color Code:**
Red +Excitation
Black -Excitation
Green +Signal
White -Signal
- Warranty:**
Two-year limited
- Approvals:**
NTEP 18-106
cFMus FM18US0307X

SINGLE-ENDED BEAM
RL32018 Coated

Alloy Steel, Environmentally Sealed, NTEP Certified 1:5,000 Class III Multiple Cell, IP66



Picture is a representation of actual product.

Approvals



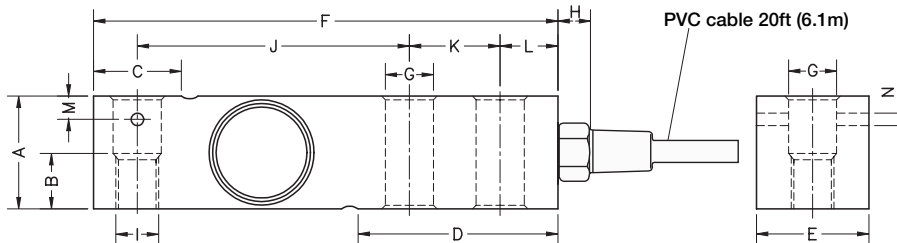
Order Information

Load Rating	Part #	Est. Weight	Price
NTEP Certified			
1,000 lb	207842	2 lb	\$344.00
1,500 lb	207843	2 lb	\$344.00
2,000 lb	207844	2 lb	\$344.00
2,500 lb	207845	2 lb	\$344.00
3,000 lb	207846	5 lb	\$344.00
4,000 lb	207847	5 lb	\$344.00
5,000 lb SE	207848	5 lb	\$344.00
5,000 lb LE	207850	5 lb	\$434.00
10,000 lb	207851	5 lb	\$434.00
Non-NTEP Certified			
15,000 lb	207852	10 lb	\$715.00
20,000 lb	207853	10 lb	\$715.00

SE=small envelope; LE=large envelope

Dimensions

Rated Capacity	A	B	C	D	E	F	G	H	I	J	K	L	M	N
1,000 to 5,000 SE	1.24	0.59	0.96	2.20	1.24	5.12	0.53	0.70	1/2-20 UNF	3.00	1.00	0.62	0.25	0.13
5,000 LE to 10,000	1.50	-	1.45	2.99	1.50	6.75	0.80	0.70	3/4-16 UNF	3.75	1.50	0.75	-	-
15,000 to 20,000	2.00	-	-	4.00	2.00	8.75	1.06	-	1-14 UNS	4.90	2.00	1.00	-	-



Interchangeable Products

VPG® SENSORTRONICS®
65023A
 VPG® CELTRON
SQB

Weigh Module Available

RICE LAKE WEIGHING SYSTEMS
RL50210TA
 RICE LAKE WEIGHING SYSTEMS
RL1800 Series

Specifications

- Full Scale Output:**
3.0 mV/V ± 0.05%
mV/V/ohm calibration
- Output Resistance:**
350 (± 3) ohm
- Input Resistance:**
400 (± 20) ohm
- Material/Finish:**
Alloy steel, nickel plated, coated
- Temperature:**
Compensated range
-14 °F to 104 °F (-10 °C to 40 °C)
Operating range
0 °F to 150 °F (-18 °C to 65 °C)
- Seal Type:**
Environmentally sealed, IP66
- Safe Overload:**
150% full scale
- Safe Sideload:**
100% full scale
- Rated Excitation:**
10 VDC (15 V maximum)
- Combined Error:**
0.017% full scale
- Insulation Resistance:**
> 5,000 megohm
- Deflection:**
0.2 to 0.4 mm
- Cable Length:**
20 ft
- Cable Color Code:**
Red +Excitation
Black -Excitation
Green +Signal
White -Signal
- Warranty:**
Two-year limited
- Approvals:**
cFMus
NTEP 18-106

LOAD CELLS / WEIGH MODULES

SINGLE-ENDED BEAM
RL32018S

Stainless Steel, Environmentally Sealed, NTEP Certified 1:5,000 Class III Multiple Cell, IP66

LOAD CELLS /
WEIGH MODULES



Picture is a representation of actual product.

Approvals



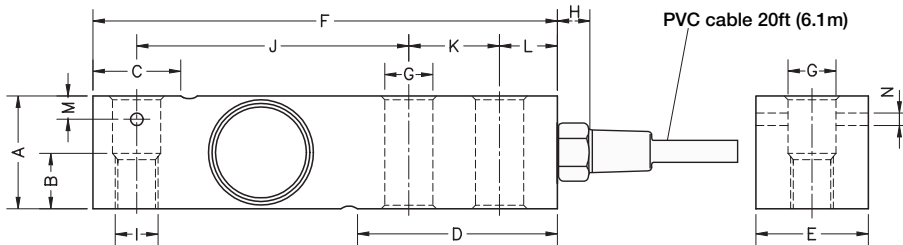
Order Information

Load Rating	Part #	Est. Weight	Price
NTEP Certified			
500 lb	189163	3 lb	\$344.00
1,000 lb	189164	3 lb	\$344.00
2,000 lb	189165	3 lb	\$344.00
2,500 lb	189166	3 lb	\$344.00
4,000 lb	189167	3 lb	\$344.00
5,000 lb SE	189168	3 lb	\$344.00
5,000 lb LE	189169	5 lb	\$440.00
10,000 lb	189170	5 lb	\$440.00
Non-NTEP Certified			
250 lb	189162	3 lb	\$344.00
15,000 lb*	189171	10 lb	\$736.00
20,000 lb*	189172	10 lb	\$736.00

SE=small envelope; LE=large envelope
*Pending NTEP

Dimensions

Rated Capacity	A	B	C	D	E	F	G	H	I	J	K	L	M	N
lb/in														
250 to 500	1.00	0.59	0.96	2.20	1.24	5.12	0.53	0.70	1/2-20 UNF	3.00	1.00	0.62	0.25	0.13
1,000 to 5,000 SE	1.24	0.59	0.96	2.20	1.24	5.12	0.53	0.70	1/2-20 UNF	3.00	1.00	0.62	0.25	0.13
5,000 LE to 10,000	1.50	-	1.45	2.99	1.50	6.75	0.80	0.70	3/4-16 UNF	3.75	1.50	0.75	-	-
15,000 to 20,000	2.00	-	-	4.00	2.00	8.75	1.06	-	1-14 UNS	4.90	2.00	1.00	-	-



Interchangeable Products

- RICE LAKE WEIGHING SYSTEMS
RL35023S
- VPG® SENSORTRONICS®
65023S
- VPG® SENSORTRONICS®
65023SS
- VPG® CELTRON
SQB-HSS

Weigh Module Available

- RICE LAKE WEIGHING SYSTEMS
RL50210TA
- RICE LAKE WEIGHING SYSTEMS
RL1800 Series

Specifications

- Full Scale Output:**
3.0 mV/V ± 0.05%
mV/V/ohm calibration
- Output Resistance:**
350 (± 3) ohm
- Input Resistance:**
400 (± 20) ohm
- Material/Finish:**
Stainless steel
- Temperature:**
Compensated range
14 °F to 104 °F (-10 °C to 40 °C)
Operating range
0 °F to 150 °F (-18 °C to 65 °C)
- Seal Type:**
Environmentally sealed, IP66
- Safe Overload:**
150% full scale
- Rated Excitation:**
10 VDC (15 V maximum)
- Combined Error:**
0.017% full scale
- Insulation Resistance:**
> 5,000 megohm
- Deflection:**
0.2 to 0.4 mm
- Cable Length:**
20 ft
- Cable Color Code:**
Red +Excitation
Black -Excitation
Green +Signal
White -Signal
- Warranty:**
Two-year limited
- Approvals:**
cFMus
NTEP 18-106



Picture is a representation of actual product.

Approvals



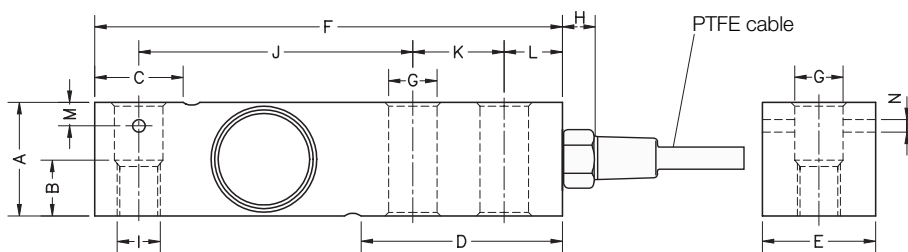
Order Information

Load Rating	Part #	Est. Weight	Price
1,000 lb	190654	3 lb	\$371.00
2,000 lb	190655	3 lb	\$371.00
2,500 lb	190656	3 lb	\$371.00
4,000 lb	190657	3 lb	\$371.00
5,000 lb SE	190658	3 lb	\$371.00
5,000 lb LE	190659	5 lb	\$418.00
10,000 lb	190660	5 lb	\$418.00

SE=small envelope; LE=large envelope

Dimensions

Rated Capacity	A	B	C	D	E	F	G	H	I	J	K	L	M	N
lb/in														
1,000 to 5,000 SE	1.24	0.59	0.96	2.20	1.25	5.12	0.53	0.70	1/2-20 UNF	3.00	1.00	0.62	0.25	0.13
5,000 LE to 10,000	1.50	—	1.45	2.99	1.50	6.75	0.80	0.70	3/4-16 UNF	3.75	1.50	0.75	—	—



Interchangeable Products

- RICE LAKE WEIGHING SYSTEMS
RL32018S-HE
- VPG® SENSORTRONICS®
65083
- VPG® CELTRON
SQB-HSS

Weigh Module Available

- RICE LAKE WEIGHING SYSTEMS
RL1800 Series

Specifications

- Full Scale Output:**
3.0 mV/V ± 0.05%
mV/V/ohm calibration
- Output Resistance:**
350 (± 3) ohm
- Input Resistance:**
400 (± 20) ohm
- Material/Finish:**
Stainless steel
- Temperature:**
Compensated range
-14 °F to 104 °F (-10 °C to 40 °C)
Operating range
0 °F to 150 °F (-18 °C to 65 °C)
- Seal Type:**
Hermetically sealed, IP69K
- Safe Overload:**
150% full scale
- Safe Sideload:**
100% full scale
- Rated Excitation:**
10 VDC (15 V maximum)
- Combined Error:**
0.017% full scale
- Insulation Resistance:**
> 5,000 megohm
- Deflection:**
0.2 to 0.4 mm
- Cable Length:**
20 ft PTFE cable
- Cable Color Code:**
Red +Excitation
Black -Excitation
Green +Signal
White -Signal
- Warranty:**
Two-year limited
- Approvals:**
cFMus

RL32018S-HE

Stainless Steel, Hermetically Sealed, NTEP Certified 1:5,000 Class III Multiple Cell, IP69K

LOAD CELLS /
WEIGH MODULES



Picture is a representation of actual product.

Approvals



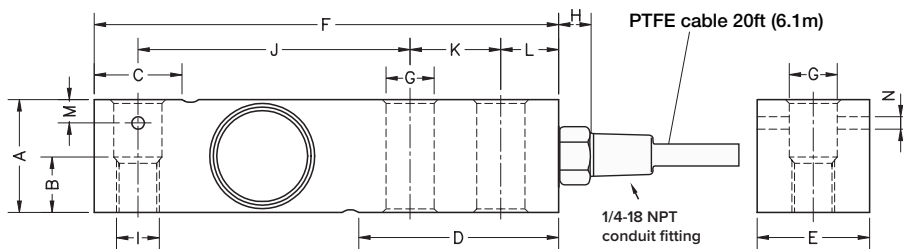
Order Information

Load Rating	Part #	Est. Weight	Price
500 lb	189175	3 lb	\$429.00
1,000 lb	189176	3 lb	\$429.00
2,000 lb	189178	3 lb	\$429.00
2,500 lb	189179	3 lb	\$429.00
4,000 lb	189181	3 lb	\$429.00
5,000 lb SE	208667	3 lb	\$429.00
5,000 lb LE	189182	5 lb	\$477.00
10,000 lb	189183	5 lb	\$477.00

SE=small envelope; LE=large envelope

Dimensions

Rated Capacity	A	B	C	D	E	F	G	H	I	J	K	L	M	N
lb/in														
500 to 5,000 SE	1.24	0.59	0.96	2.20	1.24	5.12	0.53	0.70	1/2-20 UNF	3.00	1.00	0.62	0.25	0.13
5,000 to 10,000	1.50	0.75	1.45	2.99	1.50	6.75	0.80	0.70	3/4-16 UNF	3.75	1.50	0.75	-	-



Interchangeable Products

RICE LAKE WEIGHING SYSTEMS
RL32018S-P (non-NTEP)
 VPG® SENSORTRONICS®
65083
 VPG® CELTRON
SQB-HSS

Weigh Module Available

RICE LAKE WEIGHING SYSTEMS
RL1800 Series

Specifications

- Full Scale Output:**
3.0 mV/V ± 0.05%
mV/V/ohm calibration
- Output Resistance:**
350 (± 3) ohm
- Input Resistance:**
400 (± 20) ohm
- Material/Finish:**
Stainless steel
- Temperature:**
Compensated range
14 °F to 104 °F (-10 °C to 40 °C)
Operating range
0 °F to 200 °F (-18 °C to 93 °C)
- Seal Type:**
Hermetically sealed, IP69K
- Safe Overload:**
150% full scale
- Safe Sideload:**
100% full scale
- Rated Excitation:**
5 to 10 VDC (15 V maximum)
- Combined Error:**
0.017% full scale
- Insulation Resistance:**
> 5,000 megohm
- Cable Length:**
20 ft PTFE cable
- Cable Color Code:**
Red +Excitation
Black -Excitation
Green +Signal
White -Signal
- Warranty:**
Two-year limited
- Approvals:**
cFMus
NTEP 18-106

SINGLE-ENDED BEAM
RL32019S-HE

Stainless Steel, Hermetically Sealed, NTEP Certified 1:5,000 Class III Multiple Cell, IP69K



Picture is a representation of actual product.

Approvals



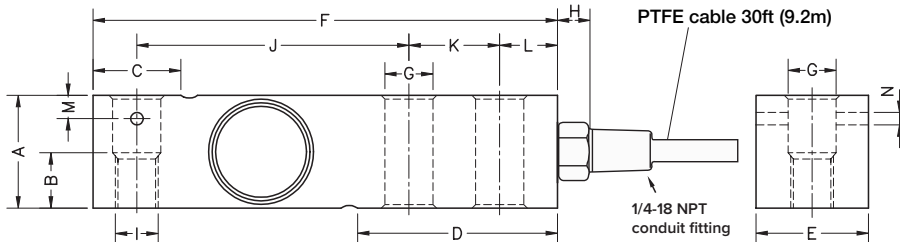
Order Information

Load Rating	Part #	Est. Weight	Price
1,000 lb	191629	4 lb	\$482.00
2,500 lb	191630	4 lb	\$482.00
4,000 lb	191631	4 lb	\$482.00
5,000 lb SE	208668	4 lb	\$482.00
5,000 lb LE	191632	6 lb	\$535.00
10,000 lb	191633	6 lb	\$535.00

SE=small envelope; LE=large envelope

Dimensions

Rated Capacity lb/in	A	B	C	D	E	F	G	H	I	J	K	L	M	N
1,000 to 5,000 SE	1.24	0.59	0.96	2.20	1.24	5.12	0.53	0.70	1/2-20 UNF	3.00	1.00	0.62	0.25	0.13
5,000 LE to 10,000	1.50	0.75	1.45	2.99	1.50	6.75	0.80	0.70	3/4-16 UNF	3.75	1.50	0.75	—	—



Interchangeable Products

RICE LAKE WEIGHING SYSTEMS
RL35082
 VPG® SENSORTRONICS®
65083S (20 ft cable)

Specifications

Full Scale Output:

2.0 mV/V ± 0.05%
 mV/V/ohm calibration

Output Resistance:

350 (± 3) ohm

Input Resistance:

400 (± 20) ohm

Material/Finish:

Stainless steel

Temperature:

Compensated range
 14 °F to 104 °F (-10 °C to 40 °C)
 Operating range
 0 °F to 200 °F (-18 °C to 93 °C)

Seal Type:

Hermetically sealed, IP69K

Safe Overload:

150% full scale

Rated Excitation:

5 to 10 VDC (15 V maximum)

Combined Error:

0.017% full scale

Insulation Resistance:

> 5,000 megohm

Deflection:

0.2 to 0.4 mm

Cable Length:

30 ft PTFE cable

Cable Color Code:

Red +Excitation
 Black -Excitation
 Green +Signal
 White -Signal

Warranty:

Two-year limited

Approvals:

cFMus
 NTEP 18-106

LOAD CELLS /
 WEIGH MODULES

RL32218S-HE

Stainless Steel, Hermetically Sealed, NTEP Certified 1:5,000 Class III Multiple Cell, IP69K

LOAD CELLS / WEIGH MODULES



Picture is a representation of actual product.

Approvals



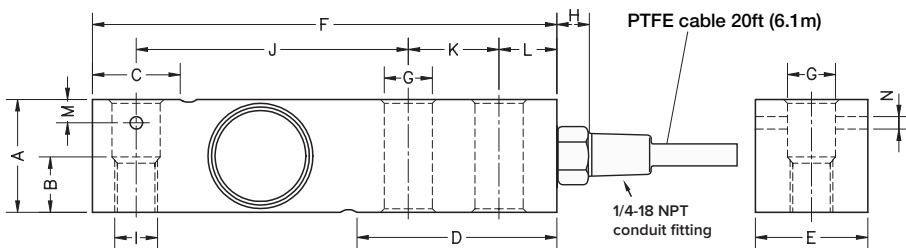
Order Information

Load Rating	Part #	Est. Weight	Price
1,000 lb	191634	3 lb	\$429.00
2,500 lb	191635	3 lb	\$429.00
4,000 lb	191636	3 lb	\$429.00
5,000 lb SE	208669	3 lb	\$429.00
5,000 lb LE	191637	5 lb	\$477.00
10,000 lb	191638	5 lb	\$477.00

SE=small envelope; LE=large envelope

Dimensions

Rated Capacity	A	B	C	D	E	F	G	H	I	J	K	L	M	N
1,000 to 5,000 SE	1.24	0.59	0.96	2.20	1.24	5.12	0.53	0.70	1/2-20 UNF	3.00	1.00	0.62	0.25	0.13
5,000 LE to 10,000	1.50	0.75	1.45	2.99	1.50	6.75	0.80	0.70	3/4-16 UNF	3.75	1.50	0.75	-	-



Interchangeable Products

RICE LAKE WEIGHING SYSTEMS
RL35082
 VPG® SENSORTRONICS®
65083S

Weigh Module Available

RICE LAKE WEIGHING SYSTEMS
RL50210TA
 RICE LAKE WEIGHING SYSTEMS
RL1800 Series

Specifications

Full Scale Output:

2.0 mV/V ± 0.05%
 mV/V/ohm calibration

Output Resistance:

350 (± 3) ohm

Input Resistance:

400 (± 20) ohm

Material/Finish:

Stainless steel

Temperature:

Compensated range
 14 °F to 104 °F (-10 °C to 40 °C)
 Operating range
 0 °F to 200 °F (-18 °C to 93 °C)

Seal Type:

Hermetically sealed, IP69K

Safe Overload:

150% full scale

Rated Excitation:

5 to 10 VDC (15 V maximum)

Combined Error:

0.017% full scale

Insulation Resistance:

> 5,000 megohm

Cable Length:

20 ft PTFE cable

Cable Color Code:

Red +Excitation
 Black -Excitation
 Green +Signal
 White -Signal

Warranty:

Two-year limited

Approvals:

cFMus
 NTEP 18-106



Picture is a representation of actual product.

Approvals

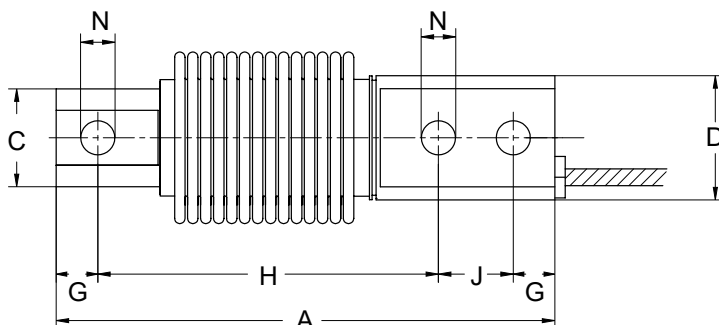
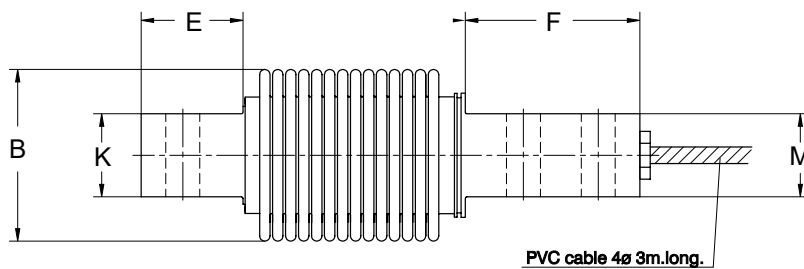


Order Information

Load Rating	Part #	Est. Weight	Price
NTEP Certified			
5 kg	188691	2 lb	\$524.00
10 kg	188692	2 lb	\$524.00
20 kg	188693	2 lb	\$524.00
30 kg	188694	2 lb	\$524.00
50 kg	188702	2 lb	\$524.00
75 kg	188695	2 lb	\$524.00
100 kg	188696	2 lb	\$524.00
200 kg	188697	2 lb	\$524.00
250 kg	188698	2 lb	\$524.00
300 kg	188699	2 lb	\$524.00
500 kg	188700	2 lb	\$524.00

Dimensions

Rated Capacity	A	B	C	D	E	F	G	H	J	K	M	N
kg/mm												
5 to 500	120.0	41.5	23.5	30.0	24.5	42.0	10.0	82.0	18.0	20.0	20.0	8.2



Interchangeable Products

RICE LAKE WEIGHING SYSTEMS
RLHBB

Specifications

Full Scale Output:

2.0 mV/V ± 10%
mV/V/ohm calibration

Output Resistance:

350 (± 3) ohm

Input Resistance:

400 (± 20) ohm

Material/Finish:

Stainless steel

Temperature:

Compensated range
14 °F to 104 °F (-10 °C to 40 °C)
Operating range
0 °F to 150 °F (-18 °C to 65 °C)

Seal Type:

Hermetically sealed, IP68/IP69K

Safe Overload:

150% full scale

Rated Excitation:

5 to 10 VDC (15 V maximum)

Combined Error:

0.017% full scale

Insulation Resistance:

> 5,000 megohm

Deflection:

0.2 to 0.4 mm

Cable Length:

3 m

Cable Material:

PVC

Cable Color Code:

Blue +Excitation
Black -Excitation
White +Signal
Red -Signal
Green +Sense
Yellow -Sense

Warranty:

Two-year limited

Approvals:

NTEP 18-107
OIML R60/2017-A-NL1-19.27
cFMus FM18US0307X

RL30000I

Alloy Steel, Environmentally Sealed, NTEP Certified 1:5,000 IIIIL Class III Multiple Cell, IP67

LOAD CELLS /
WEIGH MODULES



Picture is a representation of actual product.

Approvals



Order Information

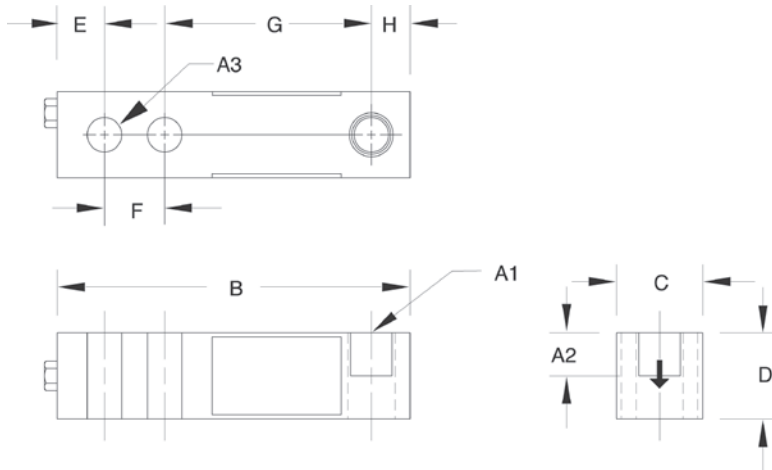
Load Rating	Part #	Est. Weight	Price
NTEP Certified			
1,000 lb	21491	3 lb	\$312.00
2,000 lb	21493	3 lb	\$312.00
2,500 lb	21495	3 lb	\$312.00
3,000 lb	21497	3 lb	\$312.00
4,000 lb	21498	3 lb	\$312.00
5,000 lb SE	21500	3 lb	\$312.00
5,000 lb LE	21501	5 lb	\$398.00
10,000 lb	21503	5 lb	\$398.00
Non-NTEP Certified			
250 lb	17341	3 lb	\$312.00
500 lb	17342	3 lb	\$312.00
20,000 lb	17109	10 lb	\$684.00
Conduit Adapter Kit (must be factory installed to maintain warranty)			
3/8-24 nipple	31533*	1 lb	\$37.00
3/8-24 to 1/4-18 NPT	31534*	1 lb	\$37.00

SE=small envelope; LE=large envelope

* PN 31533 and PN 31534 must be installed together to form the Conduit Adapter Kit

Dimensions

Rated Capacity	A1	A2	A3	B	C	D	E	F	G	H
250 to 5,000 SE	1/2-20 UNF	0.60	0.53	5.12	1.25	1.25	0.62	1.00	3.00	0.50
5,000 LE to 10,000	3/4-16 UNF	0.75	0.78	6.75	1.50	1.50	0.75	1.50	3.75	0.75
20,000	1-14 UNF	1.00	1.03	8.75	2.00	2.00	1.00	2.00	4.75	1.00



Interchangeable Products

VPG® REVERE

5123

VPG® TEDEA-HUNTLEIGH

3411

ARTECH®

30310

Weigh Module Available

RICE LAKE WEIGHING SYSTEMS

RL50210TA

RICE LAKE WEIGHING SYSTEMS

RL1800 Series

Specifications

Full Scale Output:

3.0 mV/V

Bridge Resistance:

350 ohm, nominal

Material/Finish:

High-alloy steel, nickel plated

Temperature:

Compensated range

14 °F to 104 °F (-10 °C to 40 °C)

Operating range

0 °F to 150 °F (-18 °C to 65 °C)

Seal Type:

Environmentally sealed, IP67

Safe Overload:

150% full scale

Safe Sideload:

100% full scale

Rated Excitation:

5 to 10 VAC/DC (15V maximum)

Combined Error:

0.02% full scale

Insulation Resistance:

5,000 megohm

Deflection at Capacity:

250 to 1,000 lb: 0.013 in

2,000 to 3,000 lb: 0.015 in

4,000 to 5,000 lb: 0.025 in

10,000 lb: 0.032 in

20,000 lb: 0.038 in

Cable Length:

20 ft

Cable Diameter:

0.200 in polyurethane jacket

Cable Color Code:

Red +Excitation

Black -Excitation

Green +Signal

White -Signal

Warranty:

Two-year limited

Approvals:

cFMus

NTEP 98-043

SINGLE-ENDED BEAM
RL30002 Thru Hole

Alloy Steel, Environmentally Sealed, NTEP Certified 1:5,000 IIII Class III Multiple Cell, IP67



Picture is a representation of actual product.

Approvals



Order Information

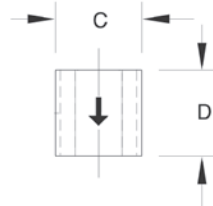
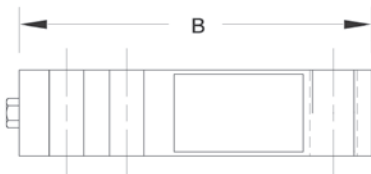
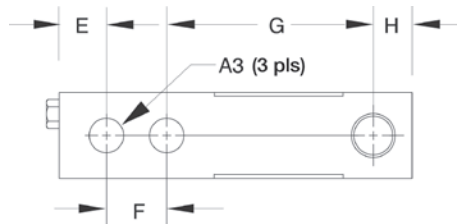
Load Rating	Part #	Est. Weight	Price
NTEP Certified			
1,000 lb	21521	3 lb	\$312.00
2,000 lb	21522	3 lb	\$312.00
2,500 lb	21523	3 lb	\$312.00
4,000 lb	21524	3 lb	\$312.00
5,000 lb SE	21525	3 lb	\$312.00
Conduit Adapter Kit (must be factory installed to maintain warranty)			
3/8-24 nipple	31533*	1 lb	\$37.00
3/8-24 to 1/4-18 NPT	31534*	1 lb	\$37.00

SE=small envelope

* PN 31533 and PN 31534 must be installed together to form the Conduit Adapter Kit

Dimensions

Rated Capacity	A3	B	C	D	E	F	G	H
lb/in								
1,000 to 5,000 SE	0.53	5.12	1.25	1.25	0.62	1.00	3.00	0.50



Interchangeable Products

VPG® TEDEA-HUNTLEIGH
3410
 ARTECH®
30210

Specifications

Full Scale Output:
3.0 mV/V

Bridge Resistance:
350 ohm, nominal

Material/Finish:
High-alloy steel, nickel plated

Temperature:
Compensated range
14 °F to 104 °F (-10 °C to 40 °C)
Operating range
0 °F to 150 °F (-18 °C to 65 °C)

Seal Type:
Environmentally sealed, IP67

Safe Overload:
150% full scale

Safe Sideload:
100% full scale

Rated Excitation:
5 to 10 VDC (15 V maximum)

Combined Error:
0.02% full scale

Insulation Resistance:
5,000 megohm

Deflection at Capacity:
1,000 lb: 0.013 in
2,000 to 3,000 lb: 0.015 in
4,000 to 5,000 lb: 0.025 in

Cable Length:
20 ft

Cable Diameter:
0.200 in polyurethane jacket

Cable Color Code:
Red +Excitation
Black -Excitation
Green +Signal
White -Signal

Warranty:
Two-year limited

Approvals:
cFMus
NTEP 98-043

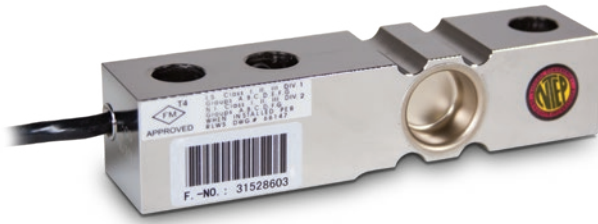
LOAD CELLS / WEIGH MODULES

RLH35

Stainless Steel, Welded Seal, NTEP Certified 1:5,000 Class III L Multiple Cell, IP67



LOAD CELLS / WEIGH MODULES



Picture is a representation of actual product.

Approvals

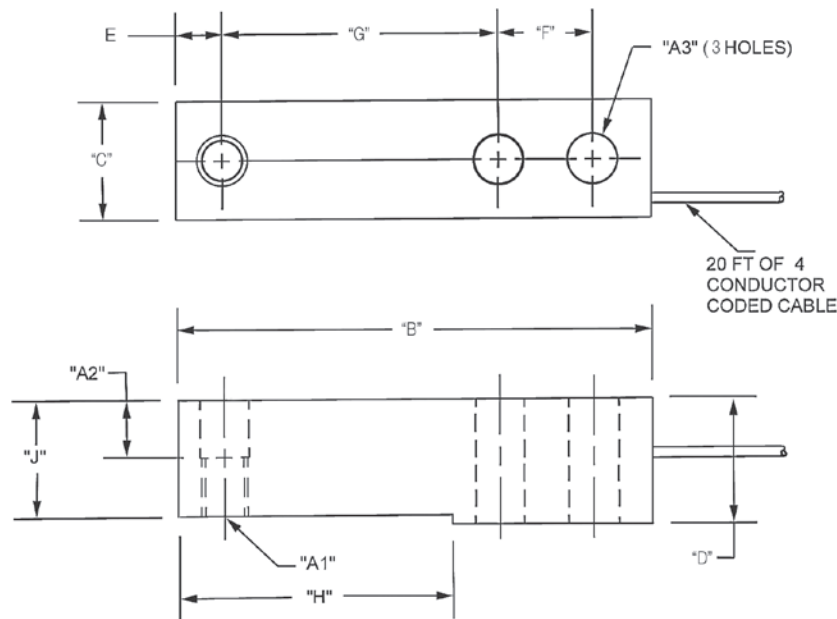


Order Information

Load Rating	Part #	Est. Weight	Price
500 lb	106038	4 lb	\$371.00

Dimensions

Rated Capacity	A1	A2	A3	C	D	B	E	F	G	H	J
500 lb/in	1/2-20 UNF	0.62	0.53	1.21	1.19	5.12	0.50	1.00	3.00	2.85	1.120



Interchangeable Products

- HBK®
- H35**
- METTLER TOLEDO®
- 500 lb-8 ft cable**
- TB601019-008
- 1,000 lb-20 ft cable**
- TB601016-020
- 2,500 lb-8 ft cable**
- TB601016-008

Specifications

- Full Scale Output:**
3.0 mV/V
- Output Resistance:**
350 ohm, nominal
- Input Resistance:**
385 ohm, nominal
- Material/Finish:**
Stainless steel
- Temperature:**
Compensated range
14 °F to 104 °F (-10 °C to 40 °C)
Operating range
0 °F to 150 °F (-18 °C to 65 °C)
- Seal Type:**
Welded-seal, IP67
- Safe Overload:**
150% full scale
- Rated Excitation:**
5 to 10 VDC (15 V maximum)
- Combined Error:**
0.02% full scale
- Insulation Resistance:**
5,000 megohm
- Deflection at Capacity:**
0.02 in
- Cable Length:**
20 ft
- Cable Diameter:**
0.190 in polyurethane jacket
- Cable Color Code:**
Green +Excitation
Black -Excitation
White +Signal
Red -Signal
Yellow Shield
- Warranty:**
Two-year limited
- Approvals:**
FM
NTEP 06-023



Picture is a representation of actual product.

Approvals



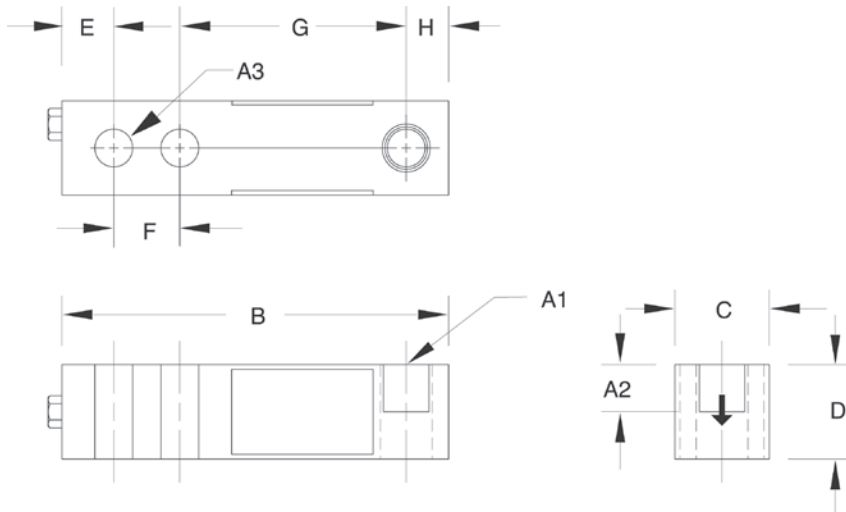
Order Information

Load Rating	Part #	Est. Weight	Price
20 ft Cables			
250 lb	17386	3 lb	\$344.00
500 lb	17387	3 lb	\$344.00
1,000 lb	17189	3 lb	\$344.00
2,500 lb	17191	3 lb	\$344.00
4,000 lb	17193	3 lb	\$344.00
5,000 lb	17194	5 lb	\$439.00
10,000 lb	17195	5 lb	\$439.00
30 ft Cables			
4,000 lb	95562	3 lb	\$365.00
Conduit Adapter Kit (must be factory installed to maintain warranty)			
3/8-24 nipple	31533*	1 lb	\$37.00
3/8-24 to 1/4-18NPT	31534*	1 lb	\$37.00

* PN 31533 and PN 31534 must be installed together to form the Conduit Adapter Kit

Dimensions

Rated Capacity	A1	A2	A3	B	C	D	E	F	G	H
lb/in										
250 to 4,000	1/2-20 UNF	0.60	0.53	5.12	1.25	1.25	0.62	1.00	3.00	0.50
5,000 to 10,000	3/4-16 UNF	0.75	0.78	6.75	1.50	1.50	0.75	1.50	3.75	0.75



Interchangeable Products

VPG® REVERE

9123

ARTECH®

SS30310

Weigh Module Available

RICE LAKE WEIGHING SYSTEMS

RL50210TA

RICE LAKE WEIGHING SYSTEMS

RL1800 Series

Specifications

Full Scale Output:

3.0 mV/V

Output Resistance:

349 to 355 ohm

Input Resistance:

343 to 357 ohm

Material/Finish:

Stainless steel

Temperature:

Operating range:

0 °F to 150 °F (-18 °C to 65 °C)

Seal Type:

Environmentally sealed, IP67

Safe Overload:

150% full scale

Safe Sideload:

100% full scale

Rated Excitation:

5 to 10 VDC (15 V maximum)

Nonlinearity:

0.03% full scale

Hysteresis:

0.02% full scale

Insulation Resistance:

5,000 megohm

Deflection at Capacity:

250 to 1,000 lb: 0.013 in

2,000 to 3,000 lb: 0.015 in

4,000 to 5,000 lb: 0.025 in

10,000 lb: 0.32 in

Cable Length:

20 ft

30 ft

Cable Diameter:

0.200 in polyurethane jacket

Cable Color Code:

Red +Excitation

Black -Excitation

Green +Signal

White -Signal

Warranty:

Two-year limited

Approvals:

cFMus

SINGLE-ENDED BEAM
RL32018S-T

Stainless Steel, Hermetically Sealed, NTEP Certified, 1:5,000 Class III Multiple Cell, IP69K

LOAD CELLS /
 WEIGH MODULES



Picture is a representation of actual product.

Approvals

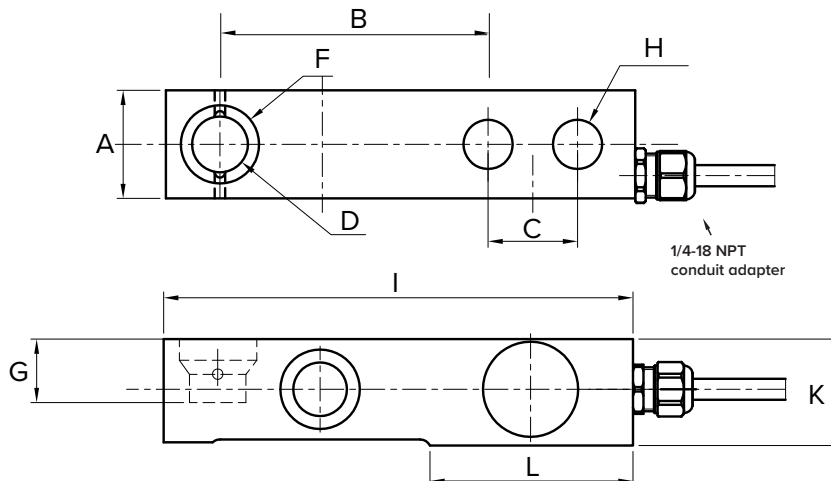


Order Information

Load Rating	Part #	Est. Weight	Price
15 ft Cable			
500 lb	189189	3 lb	\$477.00
1,250 lb	189190	3 lb	\$477.00
2,500 lb	189191	3 lb	\$477.00
5,000 lb	189192	5 lb	\$630.00
10,000 lb	189193	5 lb	\$758.00
30 ft Cable			
500 lb	191974	3 lb	\$503.00
1,250 lb	191975	3 lb	\$503.00
2,500 lb	191976	3 lb	\$503.00
5,000 lb	191977	5 lb	\$662.00
10,000 lb	191978	5 lb	\$790.00
Replacement load pins			
Rocker pin 500 to 2.5 K	108612	1 lb	\$85.00
Rocker pin 5 K	130408	1 lb	\$90.00
Rocker pin 10 K	131376	1 lb	\$130.00
O-ring (two per pin)	108202	1 lb	\$1.00

Dimensions

Rated Capacity	A	B	C	D	F	G	H	I	K	L
500 to 1,250	1.21	3.00	1.00	0.62	0.88	0.68	0.51	5.25	1.19	2.27
2,500	1.21	3.00	1.00	0.62	0.88	0.68	0.51	5.25	1.19	2.27
5,000	1.44	3.00	1.00	0.62	0.88	0.90	0.51	5.38	1.44	2.28
10,000	1.69	3.75	1.50	0.88	1.38	1.15	0.76	6.75	1.69	2.91



Interchangeable Products

- METTLER-TOLEDO®
TB600529-500 lb
- METTLER-TOLEDO
TB600363-1,250 lb
- METTLER-TOLEDO
TB600342-2,500 lb
- METTLER-TOLEDO
TB600343-5,000 lb
- METTLER-TOLEDO
TB600364-10,000 lb
- HBK®
THC

Weigh Module Available

RICE LAKE WEIGHING SYSTEMS
RLTM

Specifications

- Full Scale Output:**
 2.0 mV/V ± 0.05%
 mV/V/ohm calibration
- Output Resistance:**
 350 (± 3) ohm
- Input Resistance:**
 400 (± 20) ohm
- Material/Finish:**
 Stainless steel
- Temperature:**
 Compensated range
 14 °F to 104 °F (-10 °C to 40 °C)
 Operating range
 0 °F to 150 °F (-18 °C to 65 °C)
- Seal Type:**
 Hermetically sealed, IP69K
- Safe Overload:**
 150% full scale
- Rated Excitation:**
 5 to 10 VDC
- Combined Error:**
 0.017% full scale
- Insulation Resistance:**
 5,000 megohm
- Cable Length:**
 15 ft
 30 ft
- Cable Color Code:**
 Green +Excitation
 Black -Excitation
 White +Signal
 Red -Signal
- Warranty:**
 Two-year limited
- Approvals:**
 cFMus
 NTEP 18-106

SINGLE-ENDED BEAM
RL35023S Coated

Stainless Steel, Environmentally Sealed, NTEP Certified 1:5,000 Class III Multiple Cell, IP67



Picture is a representation of actual product.

Approvals



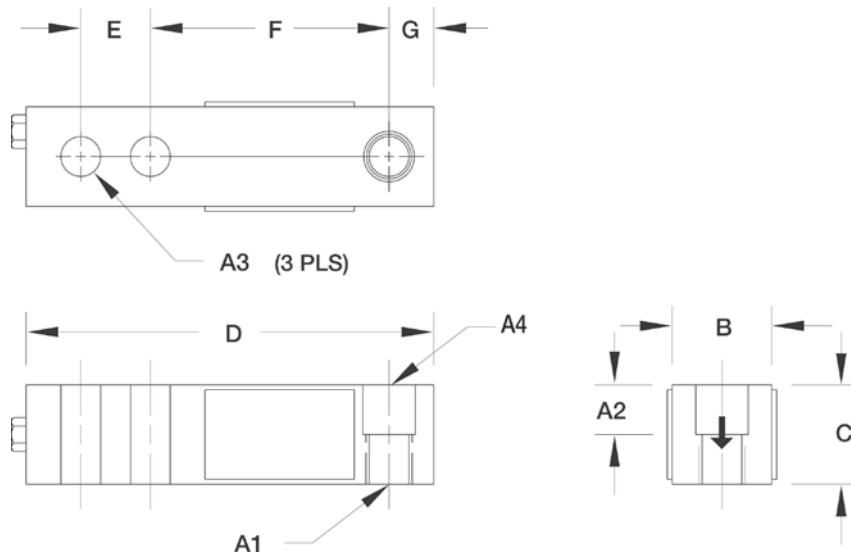
Order Information

Load Rating	Part #	Est. Weight	Price
1,000 lb	182754	3 lb	\$371.00
2,000 lb	182755	3 lb	\$371.00
2,500 lb	182756	3 lb	\$371.00
4,000 lb	182757	3 lb	\$371.00
5,000 lb	182758	3 lb	\$466.00
10,000 lb	182759	3 lb	\$466.00
Conduit Adapter Kit (must be factory installed to maintain warranty)			
3/8-24 nipple	31533*	1 lb	\$37.00
3/8-24 to 1/4-18 NPT	31534*	1 lb	\$37.00

* PN 31533 and PN 31534 must be installed together to form the Conduit Adapter Kit

Dimensions

Rated Capacity	A1	A2	A3	A4	B	C	D	E	F	G
1,000 to 4,000	1/2-20 UNF	0.62	0.53	0.53 dia	1.25	1.25	5.12	1.00	3.00	0.50
5,000 to 10,000	3/4-16 UNF	0.75	0.78	0.78 dia	1.50	1.50	6.75	1.50	3.75	0.75



Interchangeable Products

- VPG® SENSORTRONICS®
65023S*
- VPG® SENSORTRONICS
65023SS*
- VPG® CELTRON
SQB-HSS*

Weigh Module Available

- RICE LAKE WEIGHING SYSTEMS
RL50210TA
- RICE LAKE WEIGHING SYSTEMS
RL1800 Series

*Cells are uncoated

Specifications

- Full Scale Output:**
3.0 mV/V
- Output Resistance:**
349 to 355 ohm
- Input Resistance:**
343 to 357 ohm
- Material/Finish:**
Stainless steel, coated
- Temperature:**
Compensated range
14 °F to 104 °F (-10 °C to 40 °C)
Operating range
0 °F to 150 °F (-18 °C to 65 °C)
- Seal Type:**
Environmentally sealed, IP67
- Safe Overload:**
150% full scale
- Safe Sideload:**
100% full scale
- Rated Excitation:**
5 to 10 VDC (15 V maximum)
- Combined Error:**
0.02% full scale
- Deflection at Capacity:**
500 to 4,000 lb: 0.017 to 0.025 in
5,000 to 10,000 lb: 0.025 to 0.035 in
- Cable Length:**
20 ft
- Cable Diameter:**
0.200 in polyurethane jacket
- Cable Color Code:**
Red +Excitation
Black -Excitation
Green +Signal
White -Signal
- Insulation Resistance:**
5,000 megohm
- Warranty:**
Two-year limited
- Approvals:**
cFMus
NTEP 94-134

LOAD CELLS / WEIGH MODULES

RLHTO

Stainless Steel, Hermetically Sealed, IP66/68

LOAD CELLS /
WEIGH MODULES



Picture is a representation of actual product.

Approvals

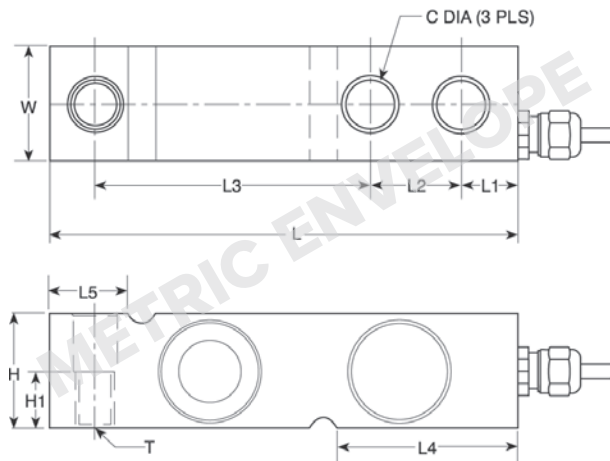


Order Information

Load Rating	Part #	Est. Weight	Price
500 kg	31253	3 lb	\$514.00
1,000 kg	31250	3 lb	\$514.00
2,000 kg	31251	3 lb	\$514.00
5,000 kg	31252	5 lb	\$588.00

Dimensions

Rated Capacity	C	H	H1	L	L1	L2	L3	L4	L5	T	W
kg/mm											
500 to 2,000	13.5	32.0	16.0	130.0	15.8	25.4	76.2	50.5	23.5	M12 x 1.75	32.0
5,000	20.5	48.0	—	171.5	19.0	38.1	95.3	70.0	37.0	—	36.5



Interchangeable Products

VPG® TEDEA-HUNTLEIGH
3510-OIML

Weigh Module Available

RICE LAKE WEIGHING SYSTEMS
1700 HE

Specifications

Full Scale Output:

2.0 mV/V

Output Resistance:

350 (± 3) ohm

Input Resistance:

380 (± 10) ohm

Material/Finish:

Stainless steel

Temperature:

Operating range
0 °F to 150 °F (-18 °C to 65 °C)

Seal Type:

Hermetically sealed, IP66/68

Safe Overload:

150% full scale

Safe Sideload:

100% full scale

Rated Excitation:

5 to 10 VDC (15 V maximum)

Combined Error:

0.02% applied load

Insulation Resistance:

2,000 megohm

Deflection at Capacity:

0.4 mm

Cable Length:

5 m

Cable Diameter:

0.220 in polyurethane jacket

Cable Color Code:

Blue +Excitation
Black -Excitation
White +Signal
Red -Signal
Green +Sense
Grey -Sense

Warranty:

Two-year limited

Approvals:

cFMus



Picture is a representation of actual product.

Approvals

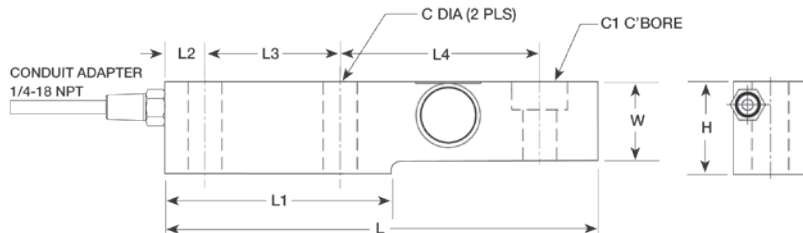


Order Information

Load Rating	Part #	Est. Weight	Price
1,000 lb	34310	5 lb	\$636.00
2,000 lb	34311	5 lb	\$636.00
5,000 lb	34312	6 lb	\$636.00
10,000 lb	34313	10 lb	\$758.00
Options			
Load cell button (1 K to 5 K)	26112	—	\$37.00

Dimensions

Rated Capacity	C	C1	H	L	L1	L2	L3	L4	W
lb/in									
1,000 to 5,000	0.53	0.68 thru C'Bore 1.19 x 0.47 DP	1.88	8.00	4.00	0.75	2.50	3.88	1.44
10,000	0.88	1.00 thru C'Bore 1.63 x 0.62 DP	2.75	9.25	4.62	0.81	2.63	4.88	1.88



Interchangeable Products

VPG® REVERE

SSB

HBK®

SB3

ARTECH®

SS30610

Weigh Module Available

RICE LAKE WEIGHING SYSTEMS

RL1900 Series

Specifications

Full Scale Output:

2.0 mV/V

Bridge Resistance:

350 ohm, nominal

Material/Finish:

Stainless steel

Temperature:

Compensated range

14 °F to 104 °F (-10 °C to 40 °C)

Operating range

0 °F to 150 °F (-18 °C to 65 °C)

Seal Type:

Welded-seal, IP67

Safe Overload:

150% full scale

Safe Sideload:

100% full scale

Rated Excitation:

5 to 10 VDC (15 V maximum)

Combined Error:

0.02% full scale

Non-repeatability:

0.01% full scale

Insulation Resistance:

5,000 megohm

Cable Length:

15 ft

Cable Diameter:

0.200 in polyurethane jacket

Cable Color Code:

Green +Excitation

Black -Excitation

White +Signal

Red -Signal

Warranty:

Two-year limited

Approvals:

cFMus

NTEP 96-053

RLSB250/RLSB250T

Stainless Steel, Welded Seal, NTEP Certified 1:5,000 Class III Multiple Cell, IP67

LOAD CELLS /
WEIGH MODULES



Picture is a representation of actual product.

Approvals

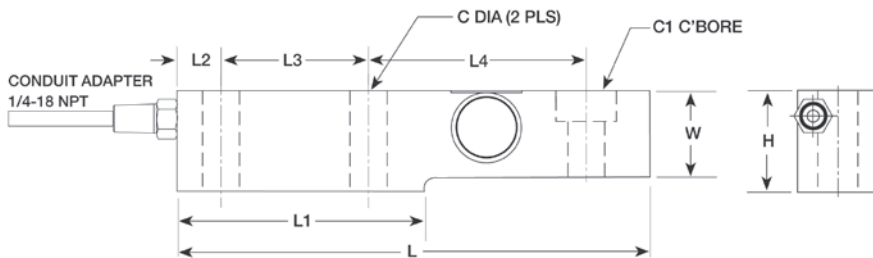


Order Information

Load Rating	Part #	Est. Weight	Price
Threaded			
2,500 lb	116053	6 lb	\$636.00
5,000 lb	116054	6 lb	\$742.00
Thru Hole			
2,500 lb	34482	6 lb	\$636.00
10,000 lb	116055	10 lb	\$742.00
Options			
Load cell button	116084	—	\$11.00

Dimensions

Rated Capacity	C	C1	H	L	L1	L2	L3	L4	T	W
2,500	0.53	1.20 x 0.75 DP	1.93	8.00	4.00	0.75	2.50	3.88	3/4-16 UNF	1.25
5,000	0.53	1.20 x 0.75 DP	1.93	8.00	4.00	0.75	2.50	3.88	3/4-16 UNF	1.45
10,000	—	1.20 x 0.75 DP	2.46	9.00	4.00	0.75	2.00	5.25	—	1.62



Interchangeable Products

CARDINAL®
SB2500*
**No threads in load hole*

Specifications

- Full Scale Output:** 2.0 mV/V
- Bridge Resistance:** 350 ohm, nominal
- Material/Finish:** Stainless steel
- Temperature:** Compensated range 14 °F to 104 °F (-10 °C to 40 °C)
Operating range 0 °F to 150 °F (-18 °C to 65 °C)
- Seal Type:** Welded-seal, IP67
- Safe Overload:** 150% full scale
- Safe Sideload:** 100% full scale
- Rated Excitation:** 5 to 10 VDC (15 V maximum)
- Combined Error:** 0.02% full scale
- Non-repeatability:** 0.01% full scale
- Insulation Resistance:** 5,000 megohm
- Cable Length:** 15 ft - PN 34482
20 ft
- Cable Diameter:** 0.200 in polyurethane jacket
- Cable Color Code:** Green +Excitation
Black -Excitation
White +Signal
Red -Signal
- Warranty:** Two-year limited
- Approvals:** cFMus
NTEP 96-053



Interchangeable Products

- RICE LAKE WEIGHING SYSTEMS
RL60040SST
- RICE LAKE WEIGHING SYSTEMS
RL50210 (alloy)

Weigh Module Available

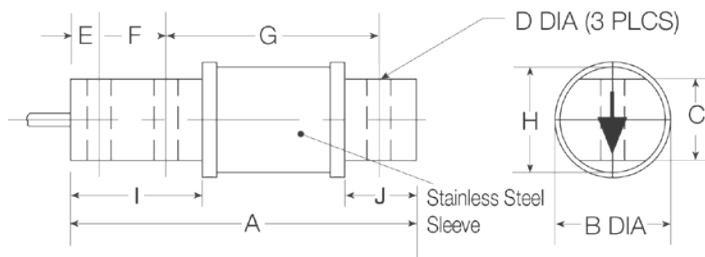
- RICE LAKE WEIGHING SYSTEMS
RL50219SS-TA

Dimensions

Rated Capacity	A	B	C	D	E	F	G	H	I	J
lb/in										
25 to 500	2.81	1.30	0.62	0.26	0.25	0.50	1.81	1.00	1.00	0.50

Order Information

Load Rating	Part #	Est. Weight	Price
25 lb	194014	2 lb	\$450.00
50 lb	194015	2 lb	\$450.00
75 lb	194016	2 lb	\$450.00
100 lb	194017	2 lb	\$450.00
150 lb	194018	2 lb	\$450.00
250 lb	194019	2 lb	\$450.00
500 lb	194020	2 lb	\$450.00



Specifications

- Full Scale Output:**
3.0 mV/V
- Output Resistance:**
350 (± 3) ohm
- Input Resistance:**
380 to 450 ohm
- Material/Finish:**
Stainless steel
- Temperature:**
Operating range
0 °F to 150 °F (-18 °C to 65 °C)
- Seal Type:**
Environmentally sealed, IP67
- Safe Overload:**
150% full scale
- Rated Excitation:**
5 to 10 VDC
- Nonlinearity:**
0.03% full scale
- Hysteresis:**
0.02% full scale
- Combined Error:**
0.017% full scale
- Insulation Resistance:**
5,000 megohm
- Cable Length:**
20 ft
- Cable Color Code:**
Red +Excitation
Black -Excitation
Green +Signal
White -Signal
- Warranty:**
Two-year limited

RL50210

Alloy Steel, Environmentally Sealed, IP65

LOAD CELLS /
WEIGH MODULES



Picture is a representation of actual product.

Approvals

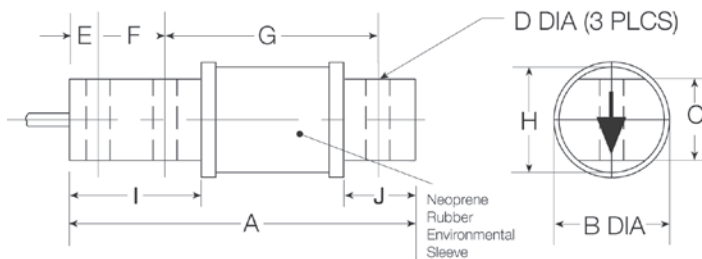


Order Information

Load Rating	Part #	Est. Weight	Price
25 lb	17385	2 lb	\$260.00
50 lb	17380	2 lb	\$260.00
100 lb	17381	2 lb	\$260.00
150 lb	17382	2 lb	\$260.00
250 lb	17383	2 lb	\$260.00
500 lb	17384	2 lb	\$260.00

Dimensions

Rated Capacity	A	B	C	D	E	F	G	H	I	J
lb/in										
25 to 500	2.81	1.30	0.62	0.26	0.25	0.50	1.81	1.00	1.00	0.50



Interchangeable Products

RICE LAKE WEIGHING SYSTEMS

RL50219SS

VPG® SENSORTRONICS®

60040

ARTECH®

50210

VPG® REVERE

5503

Weigh Module Available

RICE LAKE WEIGHING SYSTEMS

RL50210TA

Specifications

Full Scale Output:

3.0 mV/V

Output Resistance:

349 to 355 ohm

Input Resistance:

360 to 450 ohm

Material/Finish:

High-alloy steel, nickel plated

Temperature:

Operating range

0 °F to 150 °F (-18 °C to 65 °C)

Seal Type:

Environmentally sealed with neoprene sleeve, IP65

Safe Overload:

150% full scale

Rated Excitation:

5 to 10 VDC (15 V maximum)

Nonlinearity:

0.03% full scale

Hysteresis:

0.02% full scale

Insulation Resistance:

5,000 megohm

Deflection at Capacity:

25 to 50 lb: 0.008 in

100 lb: 0.010 in

150 lb: 0.012 in

250 lb: 0.016 in

500 lb: 0.025 in

Cable Length:

20 ft

Cable Diameter:

0.200 in polyurethane jacket

Cable Color Code:

Red +Excitation

Black -Excitation

Green +Signal

White -Signal

Warranty:

Two-year limited

Approvals:

cFMus

Limited Stock Available

SINGLE-ENDED BEAM
RL60040SST

Stainless Steel, Environmentally Sealed, IP65

LOAD CELLS /
WEIGH MODULES



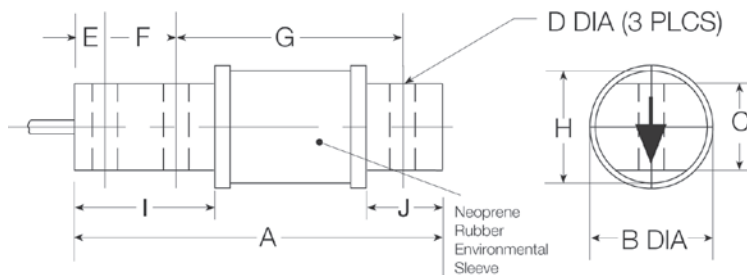
Picture is a representation of actual product.

Order Information

Load Rating	Part #	Est. Weight	Price
50 lb	101973	3 lb	\$450.00
250 lb	101977	3 lb	\$450.00

Dimensions

Rated Capacity	A	B	C	D	E	F	G	H	I	J
lb/in										
25 to 250	2.81	1.30	0.62	0.26	0.25	0.50	1.81	1.00	1.00	0.50



Interchangeable Products

RICE LAKE WEIGHING SYSTEMS

RL50219SS

VPG® SENSORTRONICS*

60040

ARTECH**

50210

VPG® REVERE*

5503

Weigh Module Available

RICE LAKE WEIGHING SYSTEMS

RL50210TA

*Alloy steel

Specifications

Full Scale Output:

3.0 mV/V

Output Resistance:

349 to 355 ohm

Input Resistance:

380 to 450 ohm

Material/Finish:

Stainless steel

Temperature:

Operating range
0 °F to 150 °F (-18 °C to 65 °C)

Seal Type:

Environmentally sealed with neoprene sleeve, IP65

Safe Overload:

150% full scale

Rated Excitation:

5 to 10 VDC (15 V maximum)

Nonlinearity:

0.03% full scale

Hysteresis:

0.02% full scale

Insulation Resistance:

5,000 megohm

Deflection at Capacity:

25 to 50 lb: 0.008 in
100 lb: 0.010 in
150 lb: 0.012 in
250 lb: 0.016 in
500 lb: 0.025 in

Cable Length:

20 ft

Cable Diameter:

0.200 in polyurethane jacket

Cable Color Code:

Red +Excitation
Black -Excitation
Green +Signal
White -Signal

Warranty:

Two-year limited

RL40BBS

Alloy Steel, Environmentally Sealed, IP65

LOAD CELLS /
WEIGH MODULES



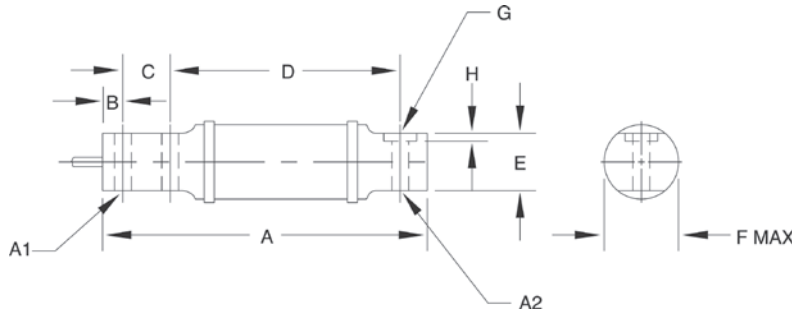
Picture is a representation of actual product.

Order Information

Load Rating	Part #	Est. Weight	Price
50 lb	17395	3 lb	\$418.00
100 lb	17343	3 lb	\$418.00
200 lb	17396	3 lb	\$418.00
250 lb	17397	3 lb	\$418.00
500 lb	17398	3 lb	\$418.00
1,000 lb	17344	3 lb	\$418.00
2,500 lb	17345	9 lb	\$662.00

Dimensions

Rated Capacity	A	A1	A2	B	C	D	E	F	G	H
50 to 100	6.00	0.31	0.31	0.38	0.88	4.25	1.06	1.41	—	—
200 to 1,000	6.62	0.52	0.52	0.50	1.12	4.25	1.06	1.41	—	—
2,500	11.38	0.53	0.62	0.50	1.75	8.25	1.25	2.19	1.19	0.12



Interchangeable Products

HBK®
BBS
VPG® SENSORTRONICS®
65087
FAIRBANKS®
3-481XX-1
FAIRBANKS
3-48660-1
ARTECH®
40310

Specifications

Full Scale Output:

2.0 mV/V

Output Resistance:

831 (± 50) ohm

Input Resistance:

750 (±) ohm

Material/Finish:

High-alloy steel, nickel plated

Temperature:

Operating range
0 °F to 150 °F (-18 °C to 65 °C)

Seal Type:

Environmentally sealed with neoprene sleeve, IP65

Safe Overload:

150% full scale

Rated Excitation:

5 to 10 VDC (15 V maximum)

Deflection at Capacity:

50 lb: 0.015 in
100 lb: 0.005 in
200 to 250 lb: 0.030 in
500 lb: 0.025 in
1,000 lb: 0.040 in
2,500 lb: 0.120 in

Nonlinearity:

0.03% full scale

Hysteresis:

0.02% full scale

Insulation Resistance:

5,000 megohm

Cable Length:

10 ft

Cable Diameter:

0.200 in polyurethane jacket

Cable Color Code:

Green +Excitation
Black -Excitation
White +Signal
Red -Signal

Warranty:

Two-year limited



Picture is a representation of actual product.

Approvals

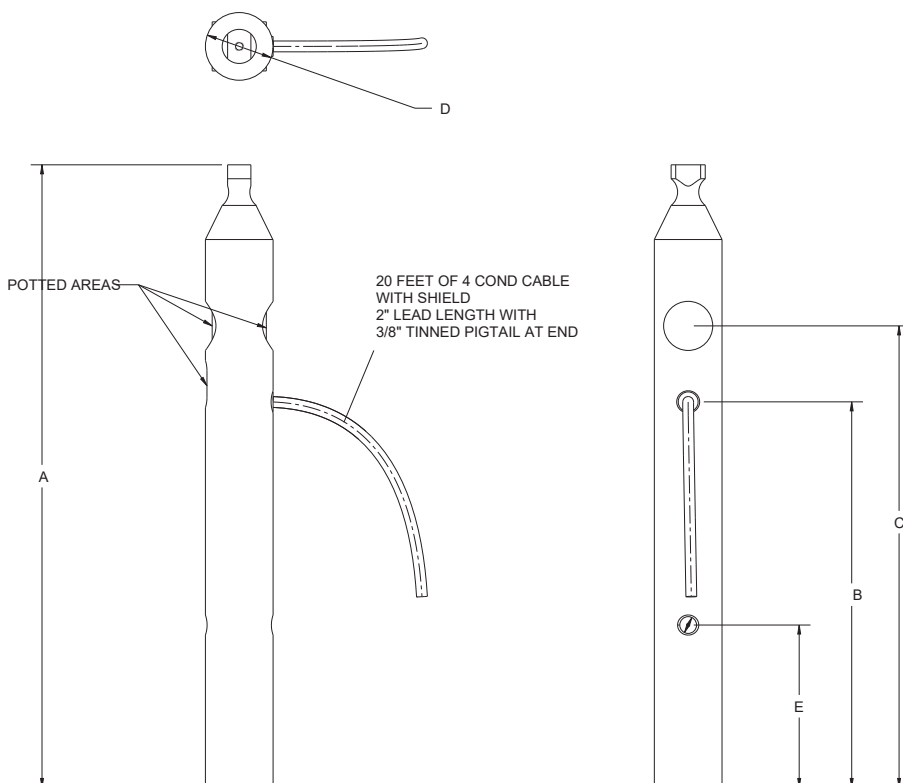


Order Information

Load Rating	Part #	Est. Weight	Price
1,250 lb	119788	5 lb	\$730.00
5,000 lb	119790	9 lb	\$850.00
10,000 lb	119791	17 lb	\$950.00

Dimensions

Rated Capacity	A	B	C	D	E
1,250	11.50	7.12	8.52	1.25	3.0
5,000	10.9	5.5	7.4	2.0	3.0
10,000	12.6	5.9	8.0	2.5	3.0



Interchangeable Products

AVERY WEIGH TRONIX®
Weigh Bar

Specifications

- Full Scale Output:**
2.0 ± 0.1% mV/V
- Output Resistance:**
350 (± 3) ohm
- Input Resistance:**
385 (± 10) ohm
- Material/Finish:**
Stainless steel
- Temperature:**
Compensated range
14 °F to 104 °F (-10 °C to 40 °C)
Operating range
0 °F to 150 °F (-18 °C to 65 °C)
- Seal Type:**
Environmentally sealed, IP67
- Safe Overload:**
150% full scale
- Safe Sideload:**
100% full scale
- Rated Excitation:**
5 to 10 VDC
- Combined Error:**
0.02% full scale
- Non-Repeatability:**
± 0.01% full scale
- Insulation Resistance:**
5,000 megohm
- Cable Length:**
20 ft
- Cable Diameter:**
0.190 in polyurethane jacket
- Cable Color Code:**
Green +Excitation
Black -Excitation
White +Signal
Red -Signal
- Warranty:**
Two-year limited
- Approvals:**
NTEP 11-024

RL32011WB-T

Stainless Steel, Environmentally Sealed, NTEP Certified 1:5,000 Class III Multiple Cell, Potted, IP67

LOAD CELLS /
WEIGH MODULES



Picture is a representation of actual product.

Approvals

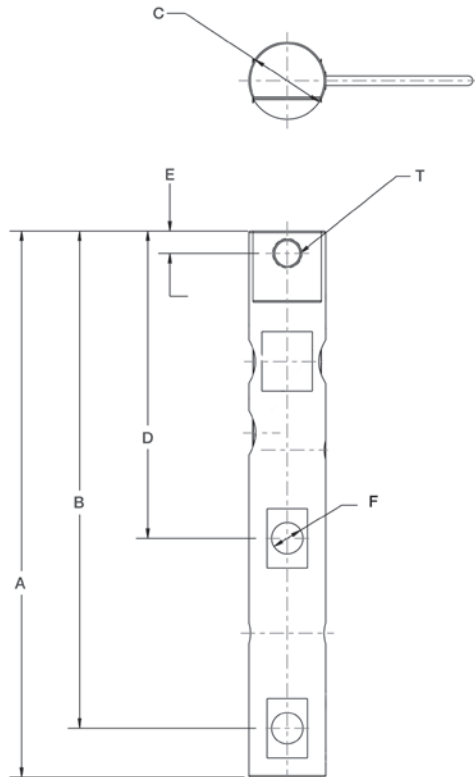


Order Information

Load Rating	Part #	Est. Weight	Price
1,250 lb	119796	3 lb	\$525.00
2,500 lb	119797	3 lb	\$525.00

Dimensions

Rated Capacity	A	B	C	D	E	F	T
lb/in							
1,250	11.50	10.47	1.25	6.47	0.47	0.53	1/2-13 UNC
2,500	11.50	10.47	1.62	6.47	0.47	0.66	5/8-11 UNC



Interchangeable Products

AVERY WEIGH TRONIX®
Weigh Bar

Specifications

Full Scale Output:

2.0 (± 0.1%) mV/V

Output Resistance:

350 (± 3) ohm

Input Resistance:

385 (± 10) ohm

Material/Finish:

Stainless steel

Temperature:

Compensated range

14 °F to 104 °F (-10 °C to 40 °C)

Operating range

0 °F to 150 °F (-18 °C to 65 °C)

Seal Type:

Environmentally sealed, IP67

Safe Overload:

150% full scale

Safe Sideload:

100% full scale

Rated Excitation:

5 to 10 VDC

Combined Error:

0.02% full scale

Non-Repeatability:

± 0.01% full scale

Insulation Resistance:

5,000 megohm

Cable Length:

20 ft

Cable Diameter:

0.190 in polyurethane jacket

Cable Color Code:

Green +Excitation

Black -Excitation

White +Signal

Red -Signal

Warranty:

Two-year limited

Approvals:

NTEP 11-024



Picture is a representation of actual product.

Approvals

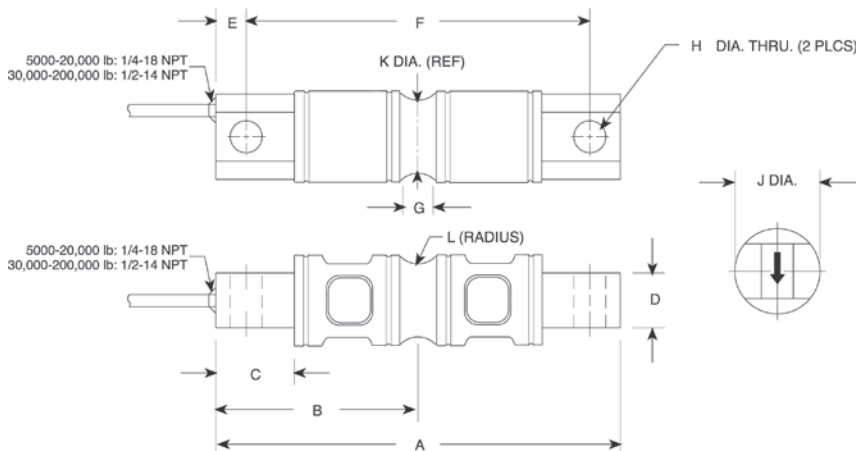


Order Information

Load Rating	Part #	Est. Weight	Price
NTEP			
5,000 lb	201758	5 lb	\$695.00
10,000 lb	201759	6 lb	\$695.00
20,000 lb	201760	7 lb	\$695.00
30,000 lb	201761	18 lb	\$800.00
40,000 lb	201762	18 lb	\$800.00
50,000 lb	201763	18 lb	\$800.00
60,000 lb	201764	18 lb	\$800.00
100,000 lb	201765	28 lb	\$1,563.00
150,000 lb	201766	34 lb	\$1,563.00
200,000 lb	201767	90 lb	\$2,940.00
Non-NTEP			
250,000 lb	201768	93 lb	\$2,940.00

Dimensions

Rated Capacity	A	B	C	D	E	F	G	H	J	K	L
lb/in											
5,000 to 10,000	8.12	4.06	1.44	1.12	0.62	6.88	0.62	0.66	1.70	1.48	0.50
20,000	8.12	4.06	1.44	1.12	0.62	6.88	0.84	0.66	1.95	1.48	0.50
30,000 to 60,000	10.25	5.12	1.88	2.37	0.88	8.50	1.00	1.06	3.20	2.73	1.00
100,000	11.25	5.62	1.88	2.50	0.88	9.50	1.00	1.06	3.50	3.24	1.50
150,000	11.25	5.62	1.88	2.80	0.88	9.50	1.25	1.06	3.90	3.64	1.50
200,000 to 250,000	16.10	8.05	3.05	4.60	1.55	13.00	1.30	1.56	5.38	5.17	2.00



Interchangeable Products

RICE LAKE WEIGHING SYSTEMS

RL70000*

VPG® REVERE

5103*

ARTECH®

70210

METTLER-TOLEDO®

SLD 430

*Conduit adapter optional

Weigh Module Available

RICE LAKE WEIGHING SYSTEMS

EZ Mount 1

Specifications

Full Scale Output:

3.0 mV/V

Output Resistance:

700 (± 5) ohm

Input Resistance:

5 to 10 k: 700 (± 14) ohm

20 to 150 k: 770 (± 10) ohm

200 to 250 k: 700 (± 14) ohm

Material/Finish:

High-alloy steel, nickel plated

Temperature:

Compensated range

14 °F to 104 °F (-10 °C to 40 °C)

Operating range

0 °F to 150 °F (-18 °C to 65 °C)

Seal Type:

Environmentally sealed, IP67

Safe Overload:

150% full scale

Safe Sideload:

100% full scale

Rated Excitation:

5 to 10 VDC (15 V maximum)

Combined Error:

0.02% full scale

Insulation Resistance:

5,000 megohm

Deflection at Capacity:

5,000 lb: 0.02 in

10,000 lb: 0.025 in

20,000 lb: 0.042 in

30,000 to 50,000 lb: 0.02 in

60,000 lb: 0.025 in

100,000 lb: 0.02 in

Cable Length:

30 ft

Cable Color Code:

Red +Excitation

Black -Excitation

Green +Signal

White -Signal

Warranty:

Two-year limited

Approvals:

cFMus

NTEP 21-064

DOUBLE-ENDED BEAM
RL72020SS

Stainless Steel, Environmentally Sealed, NTEP Certified 1:5,000 Class III/1:10,000 Class IIIL Multiple Cell, IP67

LOAD CELLS /
WEIGH MODULES



Picture is a representation of actual product.

Approvals

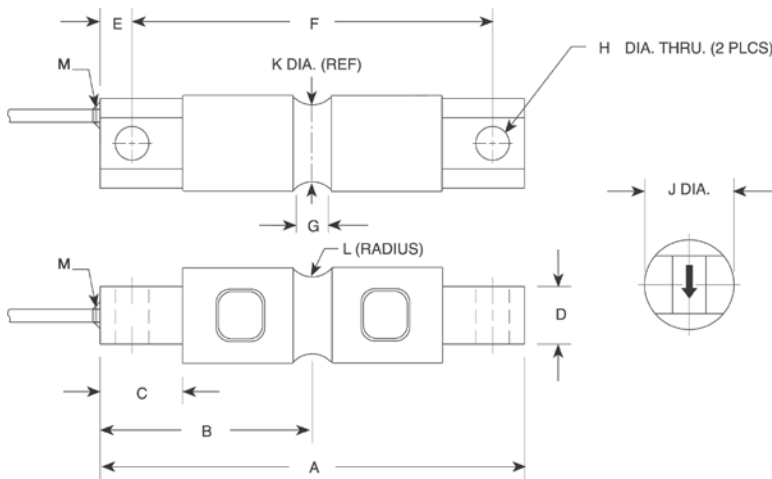


Order Information

Load Rating	Part #	Est. Weight	Price
NTEP Certified			
10,000 lb	201781	5 lb	\$820.00
20,000 lb	201782	5 lb	\$900.00
30,000 lb	201783	20 lb	\$1,033.00
40,000 lb	201784	20 lb	\$1,033.00
50,000 lb	201785	20 lb	\$1,033.00
60,000 lb	201786	20 lb	\$1,033.00
100,000 lb	201787	30 lb	\$1,960.00
Non-NTEP Certified			
5,000 lb	201780	5 lb	\$820.00
150,000 lb	201788	30 lb	\$2,173.00

Dimensions

Rated Capacity	A	B	C	D	E	F	G	H	J	K	L	M
lb/in												
5,000 to 10,000	8.12	4.06	1.44	1.12	0.62	6.88	0.62	0.66	1.70	1.48	0.50	1/4-18 NPT
20,000	8.12	4.06	1.44	1.12	0.62	6.88	0.84	0.66	1.95	1.48	0.50	1/4-18 NPT
30,000 to 60,000	10.25	5.12	1.88	2.37	0.88	8.50	1.00	1.06	3.20	2.73	1.00	1/2-14 NPT
100,000	11.25	5.62	1.88	2.50	0.88	9.50	1.00	1.06	3.50	3.24	1.50	1/2-14 NPT
150,000	11.25	5.62	1.88	2.80	0.88	9.50	1.25	1.06	3.90	3.64	1.50	1/2-14 NPT



Interchangeable Products

RICE LAKE WEIGHING SYSTEMS
RL70000SS
VPG® REVERSE
9103

Weigh Module Available

RICE LAKE WEIGHING SYSTEMS
EZ Mount 1 SS

Specifications

- Full Scale Output:** 3.0 mV/V
- Output Resistance:** 700 (± 5) ohm
- Input Resistance:** 700 (± 10) ohm
- Material/Finish:** Stainless steel
- Temperature:** Operating range 14 °F to 104 °F (-10 °C to 40 °C)
- Seal Type:** Environmentally sealed, IP67
- Safe Overload:** 150% full scale
- Rated Excitation:** 5 to 10 VDC
- Combined Error:** 0.02% full scale
- Insulation Resistance:** 5,000 megohm
- Cable Length:** 30 ft polyurethane jacket
- Cable Color Code:** Red +Excitation, Black -Excitation, Green +Signal, White -Signal
- Warranty:** Two-year limited
- Approvals:** NTEP 21-064, cFMus

RL72020P Coated

Alloy Steel, Environmentally Sealed, NTEP Certified 1:5,000 Class III/1:10,000 Class IIIL Multiple Cell, IP67



Picture is a representation of actual product.

Approvals

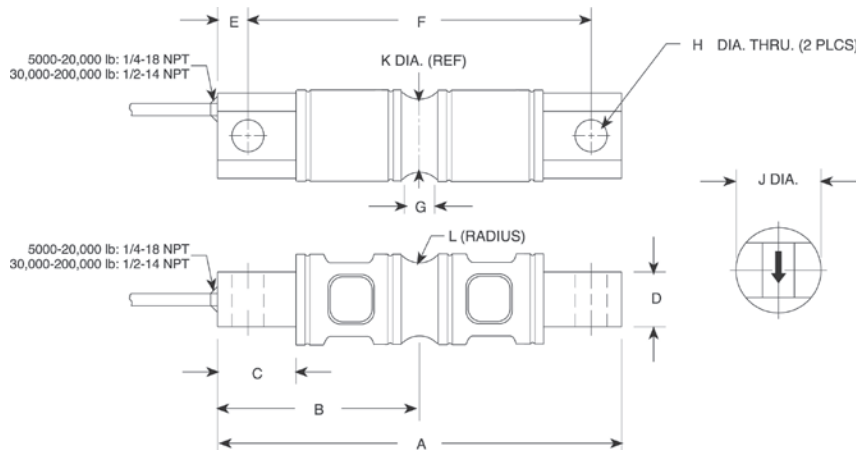


Order Information

Load Rating	Part #	Est. Weight	Price
NTEP			
5,000 lb	201769	5 lb	\$720.00
10,000 lb	201770	6 lb	\$720.00
20,000 lb	201771	7 lb	\$720.00
30,000 lb	201772	18 lb	\$826.00
40,000 lb	201773	18 lb	\$826.00
50,000 lb	201774	18 lb	\$826.00
60,000 lb	201775	18 lb	\$826.00
100,000 lb	201776	28 lb	\$1,615.00
150,000 lb	201777	34 lb	\$1,615.00
200,000 lb	201778	90 lb	\$2,990.00
Non-NTEP			
250,000 lb	201779	93 lb	\$2,990.00

Dimensions

Rated Capacity	A	B	C	D	E	F	G	H	J	K	L
5,000 to 10,000	8.12	4.06	1.44	1.12	0.62	6.88	0.62	0.66	1.70	1.48	0.50
20,000	8.12	4.06	1.44	1.12	0.62	6.88	0.84	0.66	1.95	1.48	0.50
30,000 to 60,000	10.25	5.12	1.88	2.37	0.88	8.50	1.00	1.06	3.20	2.73	1.00
100,000	11.25	5.62	1.88	2.50	0.88	9.50	1.00	1.06	3.50	3.24	1.50
150,000	11.25	5.62	1.88	2.80	0.88	9.50	1.25	1.06	3.90	3.64	1.50
200,000 to 250,000	16.10	8.05	3.05	4.60	1.55	13.00	1.30	1.56	5.38	5.17	2.00



Interchangeable Products

RICE LAKE WEIGHING SYSTEMS

RL70000*

RICE LAKE WEIGHING SYSTEMS

RL70000 Coated

VPG® REVERE

5103*

ARTECH®

70210

METTLER-TOLEDO®

SLD 430

*Cells are uncoated

Weigh Module Available

RICE LAKE WEIGHING SYSTEMS

EZ Mount 1

Specifications

Full Scale Output:

3.0 mV/V

Output Resistance:

5 to 10 k: 703 (± 4) ohm

20 to 150 k: 700 (± 5) ohm

200 to 250 k: 700 (± 5) ohm

Input Resistance:

5 to 10 k: 700 (± 14) ohm

20 to 150 k: 770 (± 10) ohm

200 to 250 k: 700 (± 14) ohm

Material/Finish:

Alloy steel, coated

Temperature:

Compensated range

14 °F to 104 °F (-10 °C to 40 °C)

Operating range

0 °F to 150 °F (-18 °C to 65 °C)

Seal Type:

Environmentally sealed, IP67

Safe Overload:

150% full scale

Safe Sideload:

100% full scale

Rated Excitation:

5 to 10 VDC (15 V maximum)

Combined Error:

0.02% full scale

Insulation Resistance:

5,000 megohm

Deflection at Capacity:

5,000 lb: 0.02 in

10,000 lb: 0.025 in

20,000 lb: 0.042 in

30,000 to 50,000 lb: 0.02 in

60,000 lb: 0.025 in

100,000 lb: 0.02 in

Cable Length:

30 ft

Cable Diameter:

5,000 to 20,000 lb: 0.200 in

30,000 to 250,000 lb: 0.305 in

Polyurethane jacket

Cable Color Code:

Red +Excitation

Black -Excitation

Green +Signal

White -Signal

Warranty:

Two-year limited

Approvals:

cFMus

NTEP 21-064

LOAD CELLS / WEIGH MODULES

DOUBLE-ENDED BEAM
RL72019SS

Stainless Steel, Welded Seal, NTEP Certified 1:5,000 Class III/1:10,000 Class III L Multiple Cell, IP68

LOAD CELLS /
 WEIGH MODULES



Picture is a representation of actual product.

Approvals

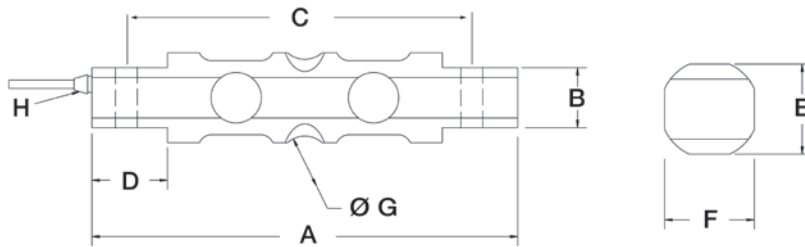


Order Information

Load Rating	Part #	Est. Weight	Price
5,000 lb	194021	5 lb	\$1,160.00
10,000 lb	194022	5 lb	\$1,160.00
20,000 lb	194023	5 lb	\$1,160.00
30,000 lb	194024	20 lb	\$1,585.00
40,000 lb	194025	20 lb	\$1,585.00
50,000 lb	194026	20 lb	\$1,585.00
60,000 lb	194027	20 lb	\$1,585.00

Dimensions

Rated Capacity	A	B	C	D	E	F	ØG	H
5,000 to 20,000 lb/in	8.12	1.14	6.88	1.44	1.71	1.71	1.00	1/4-18 NPT
30,000 to 60,000	10.25	2.38	8.50	1.88	3.03	3.03	2.00	1/2-14 NPT



Interchangeable Products

RICE LAKE WEIGHING SYSTEMS
RL70000SS
 VPG® REVERSE
9103

Weigh Module Available

RICE LAKE WEIGHING SYSTEMS
EZ Mount 1 SS

Specifications

- Full Scale Output:**
3.0 mV/V
- Output Resistance:**
700 (± 5) ohm
- Input Resistance:**
800 (± 30) ohm
- Material/Finish:**
Stainless steel
- Temperature:**
Operating range
0 °F to 150 °F (-18 °C to 65 °C)
- Seal Type:**
Welded-seal, IP68
- Safe Overload:**
150% full scale
- Rated Excitation:**
5 to 10 VDC
- Nonlinearity:**
0.03% full scale
- Hysteresis:**
0.5% full scale
- Insulation Resistance:**
5,000 megohm
- Cable Length:**
25 ft
- Cable Color Code:**
Red +Excitation
Black -Excitation
Green +Signal
White -Signal
- Warranty:**
Two-year limited
- Approvals:**
cFMus
NTEP 21-064

Limited Stock Available



Picture is a representation of actual product.

Approvals

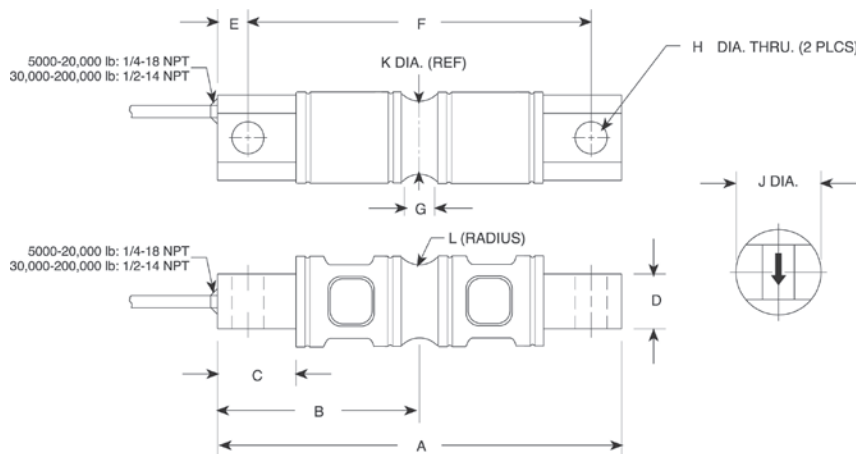


Order Information

Load Rating	Part #	Est. Weight	Price
10,000 lb	36264	6 lb	\$695.00
30,000 lb	36266	18 lb	\$800.00
40,000 lb	36267	18 lb	\$800.00
50,000 lb	36268	18 lb	\$800.00
60,000 lb	36269	18 lb	\$800.00
100,000 lb	36270	28 lb	\$1,563.00
150,000 lb	36976	34 lb	\$1,563.00
200,000 lb	36977	90 lb	\$2,940.00
250,000 lb	36978	90 lb	\$2,940.00

Dimensions

Rated Capacity	A	B	C	D	E	F	G	H	J	K	L
lb/in											
10,000	8.12	4.06	1.44	1.12	0.62	6.88	0.62	0.66	1.70	1.48	0.50
30,000 to 60,000	10.25	5.12	1.88	2.37	0.88	8.50	1.00	1.06	3.20	2.73	1.00
100,000	11.25	5.62	1.88	2.50	0.88	9.50	1.00	1.06	3.50	3.24	1.50
150,000	11.25	5.62	1.88	2.80	0.88	9.50	1.25	1.06	3.90	3.64	1.50
200,000 to 250,000	16.10	8.05	3.05	4.60	1.55	13.00	1.30	1.56	5.38	5.17	2.00



Interchangeable Products

RICE LAKE WEIGHING SYSTEMS

RL72020

VPG® REVERE*

5103*

ARTECH®

70210

METTLER-TOLEDO®

SLD 430

*Conduit adapter optional

Weigh Module Available

RICE LAKE WEIGHING SYSTEMS

EZ Mount 1

LOAD CELLS / WEIGH MODULES

Specifications

Full Scale Output:

3.0 mV/V

Output Resistance:

5 to 10 k: 703 (± 4) ohm
 20 to 150 k: 700 (± 5) ohm
 200 to 250 k: 700 (± 5) ohm

Input Resistance:

5 to 10 k: 700 (± 14) ohm
 20 to 150 k: 770 (± 10) ohm
 200 to 250 k: 700 (± 14) ohm

Material/Finish:

High-alloy steel, nickel plated

Temperature:

Compensated range
 14 °F to 104 °F (-10 °C to 40 °C)
 Operating range
 0 °F to 150 °F (-18 °C to 65 °C)

Seal Type:

Environmentally sealed, IP67

Safe Overload:

150% full scale

Safe Sideload:

100% full scale

Rated Excitation:

5 to 10 VDC (15 V maximum)

Combined Error:

0.02% full scale

Insulation Resistance:

5,000 megohm

Deflection at Capacity:

5,000 lb: 0.02 in
 10,000 lb: 0.025 in
 20,000 lb: 0.042 in
 30,000 to 50,000 lb: 0.02 in
 60,000 lb: 0.025 in
 100,000 lb: 0.02 in

Cable Length:

30 ft

Cable Diameter:

5,000 to 20,000 lb: 0.200 in
 30,000 to 250,000 lb: 0.305 in
 Polyurethane jacket

Cable Color Code:

Red +Excitation
 Black -Excitation
 Green +Signal
 White -Signal

Warranty:

Two-year limited

Approvals:

cFMus
 NTEP 97-125

RL70000 Coated

Alloy Steel, Environmentally Sealed, IP67

Limited Stock Available

LOAD CELLS / WEIGH MODULES



Picture is a representation of actual product.

Approvals

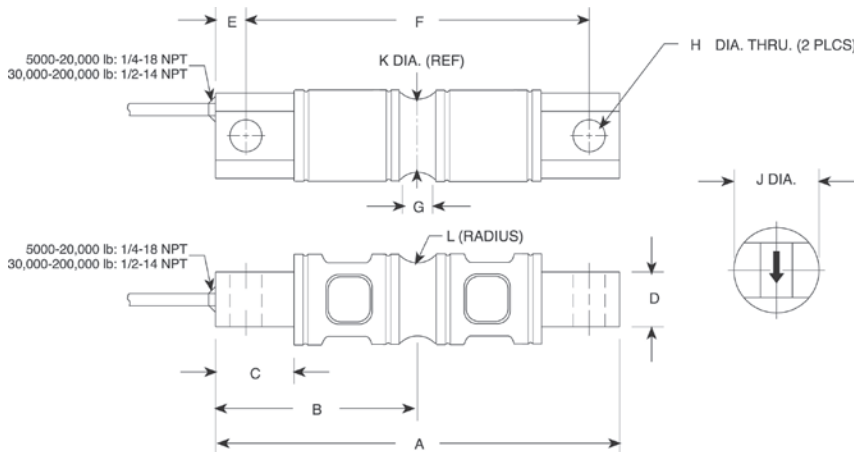


Order Information

Load Rating	Part #	Est. Weight	Price
5,000 lb	198196	5 lb	\$720.00
30,000 lb	198199	18 lb	\$826.00
50,000 lb	198201	18 lb	\$826.00
250,000 lb	198206	93 lb	\$2,990.00

Dimensions

Rated Capacity	A	B	C	D	E	F	G	H	J	K	L
lb/in											
5,000	8.12	4.06	1.44	1.12	0.62	6.88	0.62	0.66	1.70	1.48	0.50
30,000 to 50,000	10.25	5.12	1.88	2.37	0.88	8.50	1.00	1.06	3.20	2.73	1.00
250,000	16.10	8.05	3.05	4.60	1.55	13.00	1.30	1.56	5.38	5.17	2.00



Interchangeable Products

RICE LAKE WEIGHING SYSTEMS

RL70000*

RICE LAKE WEIGHING SYSTEMS

RL72020*

RICE LAKE WEIGHING SYSTEMS

RL72020P

Weigh Module Available

RICE LAKE WEIGHING SYSTEMS

EZ Mount 1

**Cells are uncoated*

Specifications

Full Scale Output:

3.0 mV/V

Output Resistance:

5 to 10 k: 703 (± 4) ohm
20 to 150 k: 700 (± 5) ohm
200 to 250 k: 700 (± 5) ohm

Input Resistance:

5 to 10 k: 700 (± 14) ohm
20 to 150 k: 770 (± 10) ohm
200 to 250 k: 700 (± 14) ohm

Material/Finish:

Alloy steel, coated

Temperature:

Compensated range
14 °F to 104 °F (-10 °C to 40 °C)
Operating range
0 °F to 150 °F (-18 °C to 65 °C)

Seal Type:

Environmentally sealed, IP67

Safe Overload:

150% full scale

Safe Sideload:

100% full scale

Rated Excitation:

5 to 10 VDC (15 V maximum)

Combined Error:

0.02% full scale

Insulation Resistance:

5,000 megohm

Deflection at Capacity:

5,000 lb: 0.02 in
10,000 lb: 0.025 in
20,000 lb: 0.042 in
30,000 to 50,000 lb: 0.02 in
60,000 lb: 0.025 in
100,000 lb: 0.02 in

Cable Length:

30 ft

Cable Diameter:

5,000 to 20,000 lb: 0.200 in
30,000 to 250,000 lb: 0.305 in
Polyurethane jacket

Cable Color Code:

Red +Excitation
Black -Excitation
Green +Signal
White -Signal

Warranty:

Two-year limited

Approvals:

cFMus
NTEP 97-125

Limited Stock Available

DOUBLE-ENDED BEAM
RL7000SS
 Stainless Steel, Environmentally Sealed, NTEP Certified 1:5,000 Class III/1:10,000 IIIIL Multiple Cell, IP67

LOAD CELLS / WEIGH MODULES



Picture is a representation of actual product.

Approvals

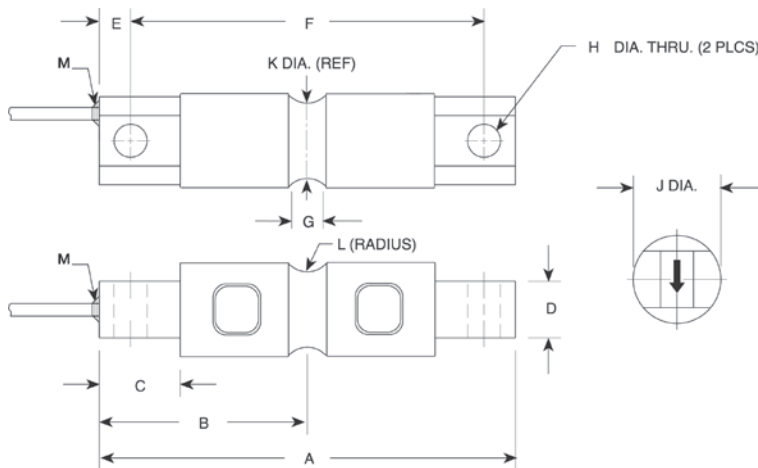


Order Information

Load Rating	Part #	Est. Weight	Price
NTEP Certified			
40,000 lb	30435	22 lb	\$900.00
50,000 lb	30436	22 lb	\$1,007.00
100,000 lb	30444	30 lb	\$1,960.00
Non-NTEP Certified			
5,000 lb	30431	5 lb	\$768.00

Dimensions

Rated Capacity	A	B	C	D	E	F	G	H	J	K	L	M
lb/in												
5,000	8.12	4.06	1.44	1.12	0.62	6.88	0.62	0.66	1.70	1.48	0.50	1/4-18 NPT
40,000 to 50,000	10.25	5.12	1.88	2.37	0.88	8.50	1.00	1.06	3.20	2.73	1.00	1/2-14 NPT
100,000	11.25	5.62	1.88	2.50	0.88	9.50	1.00	1.06	3.50	3.24	1.50	1/2-14 NPT



Interchangeable Products

- RICE LAKE WEIGHING SYSTEMS
RL72019SS
- RICE LAKE WEIGHING SYSTEMS
RL72020SS
- VPG® REVERE
9103
- METTLER TOLEDO®
SLD-530

Weigh Module Available

- RICE LAKE WEIGHING SYSTEMS
EZ Mount 1

Specifications

- Full Scale Output:** 3.0 mV/V
- Output Resistance:** 700 (± 7) ohm
- Input Resistance:** 700 (± 7) ohm
- Material/Finish:** Stainless steel
- Temperature:** Compensated range 0 °F to 150 °F (-18 °C to 65 °C)
Operating range 0 °F to 150 °F (-18 °C to 65 °C)
- Seal Type:** Environmentally sealed, IP67
- Safe Overload:** 150% full scale
- Safe Sideload:** 100% full scale
- Rated Excitation:** 5 to 10 VDC (15 V max)
- Non-repeatability:** 0.02% full scale
- Combined Error:** 0.3% full scale
- Insulation Resistance:** 5,000 megohm
- Deflection at Capacity:** 5,000 lb: 0.02 in
10,000 lb: 0.025 in
20,000 lb: 0.042 in
30,000 to 50,000 lb: 0.02 in
60,000 lb: 0.025 in
100,000 to 150,000 lb: 0.02 in
- Cable Length:** 30 ft
- Cable Diameter:** 0.295 in
Polyurethane jacket
- Cable Color Code:** Red +Excitation
Black -Excitation
Green +Signal
White -Signal
- Warranty:** Two-year limited
- Approvals:** cFMus
NTEP 12-050

RL75016

Alloy Steel, Environmentally Sealed, IP67

LOAD CELLS /
WEIGH MODULES



Picture is a representation of actual product.

Approvals



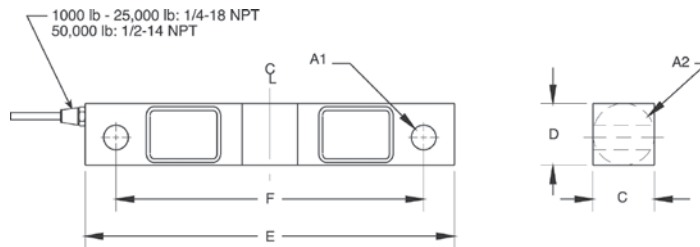
Order Information

Load Rating	Part #	Est. Weight	Price
1,000 lb	17300	4 lb	\$556.00
1,500 lb	17302	4 lb	\$556.00
2,000 lb	17304	4 lb	\$556.00
2,500 lb	17306	4 lb	\$556.00
3,000 lb	17308	4 lb	\$556.00
5,000 lb	17309	4 lb	\$556.00
10,000 lb	17311	7 lb	\$636.00
15,000 lb	17313	7 lb	\$636.00
20,000 lb	17315	7 lb	\$636.00
25,000 lb	17317	7 lb	\$636.00
50,000 lb	17319	25 lb	\$980.00
75,000 lb*	25357	25 lb	\$980.00

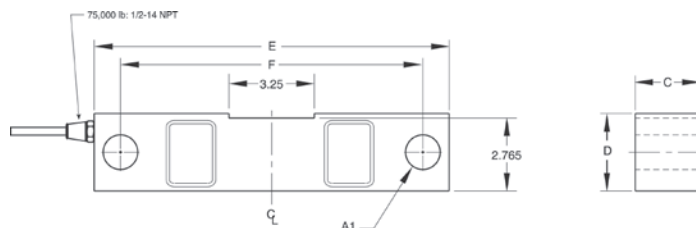
*75,000lb capacity has a square center

Dimensions

Rated Capacity	A1	A2	C	D	E	F
lb/in						
1,000 to 5,000	0.50	1.25	1.25	1.25	7.50	6.25
10,000 to 25,000	0.81	1.99	1.44	1.94	8.75	7.50
50,000	1.31	3.00	2.44	2.94	13.50	11.50
75,000	1.31	—	2.44	2.94	13.50	11.50



1000-50,000lb



75,000lb

Interchangeable Products

VPG® CELTRON

DSR

VPG® SENSORTRONICS®

65016

VPG® REVERE

5203

Weigh Module Available

RICE LAKE WEIGHING SYSTEMS

RL1600 Series

Specifications

Full Scale Output:

3.0 mV/V

Output Resistance:

700 (± 5) ohm

Input Resistance:

770 (± 10) ohm

Material/Finish:

High-alloy steel, nickel plated

Temperature:

Operating range
0 °F to 150 °F (-18 °C to 65 °C)

Seal Type:

Environmentally sealed, IP67

Safe Overload:

150% full scale

Safe Sideload:

100% full scale

Rated Excitation:

5 to 10 VDC (15 V maximum)

Nonlinearity:

0.03% full scale

Hysteresis:

0.02% full scale

Deflection at Capacity:

1,000 to 3,000 lb: 0.01 in
5,000 lb: 0.015 in
10,000 to 20,000 lb: 0.022 in
25,000 lb: 0.036 in
50,000 lb: 0.052 in
75,000 lb: 0.07 in

Insulation Resistance:

5,000 megohm

Cable Length:

25 ft

Cable Diameter:

1,000 to 25,000 lb: 0.200 in
50,000 to 75,000 lb: 0.305 in Polyurethane jacket

Cable Color Code:

Red +Excitation
Black -Excitation
Green +Signal
White -Signal

Warranty:

Two-year limited



Picture is a representation of actual product.

Approvals



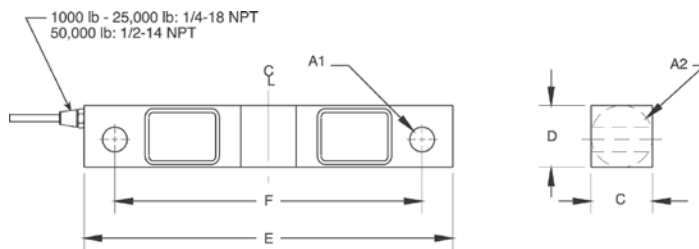
Order Information

Load Rating	Part #	Est. Weight	Price
1,000 lb	187058	4 lb	\$583.00
1,500 lb	187059	4 lb	\$583.00
2,000 lb	187060	4 lb	\$583.00
2,500 lb	187061	4 lb	\$583.00
3,000 lb	187062	4 lb	\$583.00
5,000 lb	187063	4 lb	\$583.00
10,000 lb	187064	7 lb	\$662.00
15,000 lb	187065	7 lb	\$662.00
20,000 lb	187066	7 lb	\$662.00
25,000 lb	187067	7 lb	\$662.00
50,000 lb	187068	25 lb	\$1,007.00
75,000 lb*	187069	25 lb	\$1,007.00

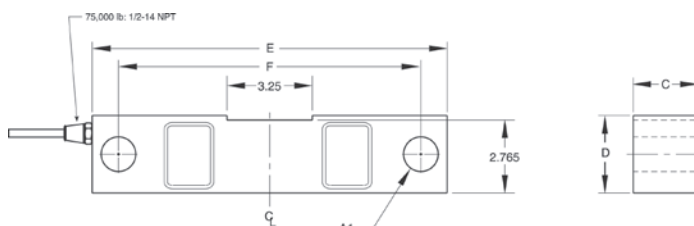
*75,000lb capacity has a square center

Dimensions

Rated Capacity	A1	A2	C	D	E	F
lb/in						
1,000 to 5,000	0.50	1.25	1.25	1.25	7.50	6.25
10,000 to 25,000	0.81	1.99	1.44	1.94	8.75	7.50
50,000	1.31	3.00	2.44	2.94	13.50	11.50
75,000	1.31	—	2.44	2.94	13.50	11.50



1000-50,000lb



75,000lb

Interchangeable Products

RICE LAKE WEIGHING SYSTEMS

RL75016* (Alloy)

VPG® CELTRON

DSR* (Alloy)

VPG® SENSORTRONICS®

65016* (Alloy)

Weigh Module Available

RICE LAKE WEIGHING SYSTEMS

RL1600 Series

*Cells are uncoated

Specifications

Full Scale Output:

3.0 mV/V

Output Resistance:

700 (± 5) ohm

Input Resistance:

770 (± 10) ohm

Material/Finish:

Alloy steel, coated

Temperature:

Operating range
 0 °F to 150 °F (-18 °C to 65 °C)

Seal Type:

Environmentally sealed, IP67

Safe Overload:

150% full scale

Safe Sideload:

100% full scale

Rated Excitation:

5 to 10 VDC (15 V maximum)

Nonlinearity:

0.03% full scale

Hysteresis:

0.02% full scale

Insulation Resistance:

5,000 megohm

Cable Length:

25 ft

Cable Color Code:

Red +Excitation
 Black -Excitation
 Green +Signal
 White -Signal

Warranty:

Two-year limited

Approvals:

cFMus

DOUBLE-ENDED BEAM
RL75016SS

Stainless Steel, Environmentally Sealed, IP67

LOAD CELLS /
WEIGH MODULES



Picture is a representation of actual product.

Approvals



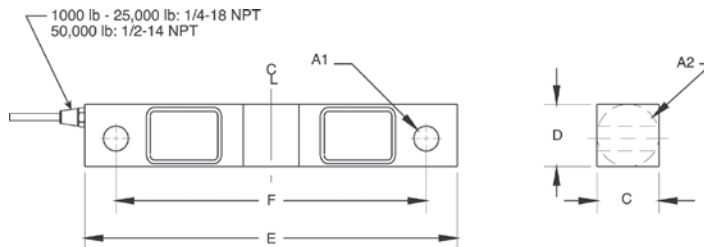
Order Information

Load Rating	Part #	Est. Weight	Price
1,000 lb	17301	4 lb	\$583.00
1,500 lb	17303	4 lb	\$583.00
2,000 lb	17305	4 lb	\$583.00
2,500 lb	17307	4 lb	\$583.00
5,000 lb	17310	4 lb	\$583.00
10,000 lb	17312	7 lb	\$662.00
15,000 lb	17314	7 lb	\$662.00
20,000 lb	17316	7 lb	\$662.00
25,000 lb	17318	7 lb	\$662.00
50,000 lb	17320	25 lb	\$1,298.00
75,000 lb*	25356	27 lb	\$1,298.00

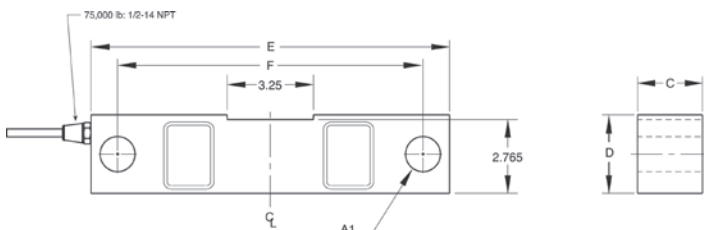
*75,000lb capacity has a square center

Dimensions

Rated Capacity	A1	A2	C	D	E	F
1,000 to 5,000	0.50	1.25	1.25	1.25	7.50	6.25
10,000 to 25,000	0.81	1.99	1.44	1.94	8.75	7.50
50,000	1.31	3.00	2.44	2.94	13.50	11.50
75,000	1.31	—	2.44	2.94	13.50	11.50



1000-50,000lb



75,000lb

Interchangeable Products

RICE LAKE WEIGHING SYSTEMS

RL75016WHE*

VPG® SENSORTRONICS®

65016W

VPG® SENSORTRONICS

65016WH*

VPG® REVERE

9203

Weigh Module Available

SURVIVOR®

RL1600 HE Series

*Hermetically sealed

Specifications

Full Scale Output:

3.0 mV/V

Output Resistance:

700 (± 5) ohm

Input Resistance:

770 (± 10) ohm

Material/Finish:

Stainless steel

Temperature:

Operating range
0 °F to 150 °F (-18 °C to 65 °C)

Seal Type:

Environmentally sealed, IP67

Safe Overload:

150% full scale

Safe Sideload:

100% full scale

Rated Excitation:

5 to 10 VDC (15 V maximum)

Nonlinearity:

0.07% full scale

Hysteresis:

0.02% full scale

Cable Diameter:

1,000 to 25,000 lb: 0.200 in
50,000 to 75,000 lb: 0.305 in Polyurethane jacket

Deflection at Capacity:

1,000 to 3,000 lb: 0.01 in
5,000 lb: 0.015 in
10,000 to 20,000 lb: 0.022 in
25,000 lb: 0.036 in
50,000 lb: 0.052 in
75,000 lb: 0.07 in

Insulation Resistance:

5,000 megohm

Cable Length:

25 ft

Cable Color Code:

Red +Excitation
Black -Excitation
Green +Signal
White -Signal

Warranty:

Two-year limited

Approvals:

cFMus



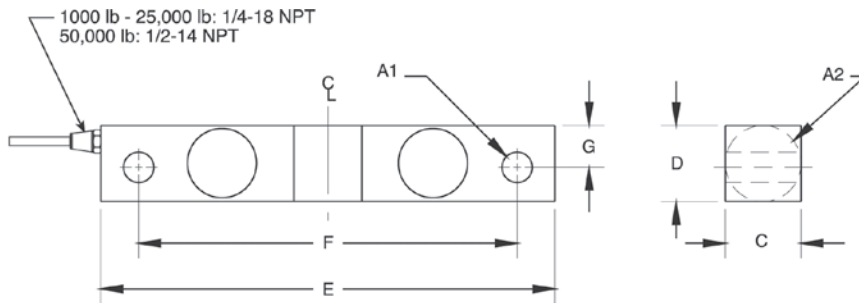
Picture is a representation of actual product.

Order Information

Load Rating	Part #	Est. Weight	Price
1,000 lb	168114	5 lb	\$630.00
5,000 lb	168115	5 lb	\$630.00
10,000 lb	168116	7 lb	\$715.00
15,000 lb	168117	7 lb	\$715.00
20,000 lb	168118	7 lb	\$715.00
25,000 lb	168119	7 lb	\$715.00
50,000 lb	168120	33 lb	\$1,372.00

Dimensions

Rated Capacity	A1	A2	C	D	E	F	G
lb/in							
1,000 to 5,000	0.50	1.25	1.25	1.25	7.50	6.25	0.69
10,000 to 25,000	0.81	1.99	1.44	1.94	8.75	7.50	0.96
50,000	1.31	3.00	2.44	2.94	13.50	11.50	1.50



Interchangeable Products

- RICE LAKE WEIGHING SYSTEMS
RL75016SS
- RICE LAKE WEIGHING SYSTEMS
RL75016WHE

Specifications

- Full Scale Output:**
3.0 mV/V
- Output Resistance:**
700 (± 5) ohm
- Input Resistance:**
770 (± 10) ohm
- Material/Finish:**
Stainless steel
- Temperature:**
Operating range
0 °F to 150 °F (-18 °C to 65 °C)
- Seal Type:**
Welded-seal, IP67
- Safe Overload:**
100% full scale
- Rated Excitation:**
5 to 10 VDC (15 V max)
- Hysteresis:**
0.02% full scale
- Linearity:**
0.03% full scale
- Cable Length:**
25 ft
- Cable Color Code:**
Red +Excitation
Black -Excitation
Green +Signal
White -Signal
- Warranty:**
Two-year limited

RL75016WHE

Stainless Steel, Hermetically Sealed, IP69K

LOAD CELLS /
WEIGH MODULES



Picture is a representation of actual product.

Approvals

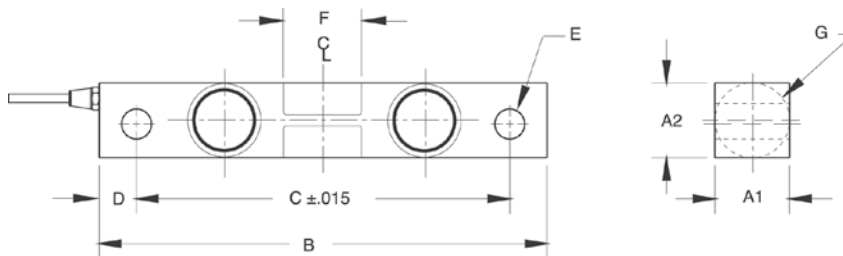


Order Information

Load Rating	Part #	Est. Weight	Price
1,000 lb	67043	4 lb	\$736.00
1,500 lb	67044	4 lb	\$736.00
2,000 lb	67045	4 lb	\$736.00
2,500 lb	67046	4 lb	\$736.00
5,000 lb	67047	4 lb	\$736.00
10,000 lb	67048	7 lb	\$832.00
15,000 lb	67049	7 lb	\$832.00
20,000 lb	67050	7 lb	\$832.00
25,000 lb	67051	7 lb	\$832.00

Dimensions

Rated Capacity	A1	A2	B	C	D	E	F	G	CONDUIT ADAPTER
lb/in									
1,000 to 5,000	1.22	1.22	7.50	6.25	0.62	0.50	1.12	1.25	1/2-14 NPT
10,000 to 25,000	1.44	1.94	8.75	7.50	0.62	0.81	1.62	1.99	1/2-14 NPT



Interchangeable Products

RICE LAKE WEIGHING SYSTEMS

RL75016SS*

RICE LAKE WEIGHING SYSTEMS

RL75016SS-W*

VPG® SENSORTRONICS®

65016W*

VPG® SENSORTRONICS

65016WH

Weigh Module Available

RICE LAKE WEIGHING SYSTEMS

RL1600 Series

*Welded seal

Specifications

Full Scale Output:

3.0 mV/V

Output Resistance:

699 to 707 ohm

Input Resistance:

686 to 714 ohm

Material/Finish:

Stainless steel

Temperature:

Operating range
0 °F to 150 °F (-18 °C to 65 °C)

Seal Type:

Hermetically sealed, IP69K

Safe Overload:

150% full scale

Safe Sideload:

100% full scale

Rated Excitation:

5 to 10 VDC (15 V maximum)

Combined Error:

0.03% full scale

Insulation Resistance:

2,000 megohm

Cable Length:

25 ft

Cable Diameter:

0.200 in
Polyurethane jacket

Cable Color Code:

Red +Excitation
Black -Excitation
Green +Signal
White -Signal

Warranty:

Two-year limited

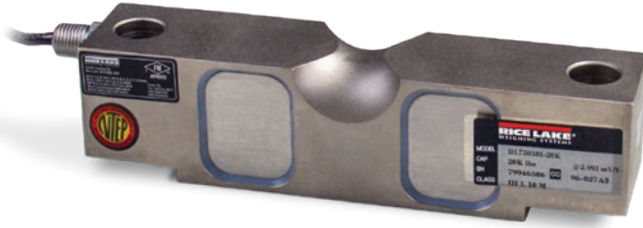
Approvals:

cFMus

RL75058I for Rice Lake Coil Scale

Alloy Steel, Environmentally Sealed, NTEP Certified 1:5,000 Class III Multiple Cell, IP67

LOAD CELLS / WEIGH MODULES



Picture is a representation of actual product.

Approvals

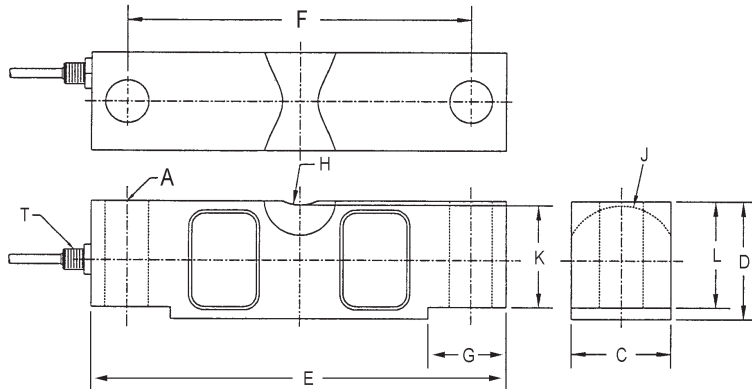


Order Information

Load Rating	Part #	Est. Weight	Price
20,000 lb	121439	8 lb	\$673.00
25,000 lb	121440	8 lb	\$673.00
40,000 lb	121441	13 lb	\$805.00
50,000 lb	121442	19 lb	\$885.00
60,000 lb	121443	19 lb	\$885.00
75,000 lb	121444	19 lb	\$885.00

Dimensions

Rated Capacity	A	C	D	E	F	G	H	J	K	L	T
lb/in											
20,000 to 25,000	0.68	1.69	1.94	7.75	6.50	1.38	0.75	0.90	1.63	1.70	1/4-18 NPT
40,000	0.81	1.94	2.44	10.25	8.50	1.93	1.00	1.12	2.00	2.10	1/4-18 NPT
50,000 to 75,000	1.06	2.44	2.94	10.25	8.50	1.93	1.00	1.37	2.54	2.65	1/2-14 NPT



Specifications

Full Scale Output:

3.0 mV/V

Output Resistance:

699 to 707 ohm

Input Resistance:

686 to 714 ohm

Material/Finish:

High-alloy steel, nickel plated

Temperature:

Compensated range

14 °F to 104 °F/-10 °C to 40 °C

Operating range

0 °F to 150 °F/-18 °C to 65 °C

Seal Type:

Environmentally sealed, IP67

Safe Overload:

150% full scale

Safe Sideload:

100% full scale

Rated Excitation:

5 to 10 VDC (15 V maximum)

Combined Error:

0.02% full scale

Insulation Resistance:

5,000 megohm

Cable Length:

35 ft

Cable Diameter:

20,000 lb: 0.200 in

40,000 to 75,000 lb: 0.305 in

Polyurethane jacket

Cable Coloring Code:

Red +Excitation

Black -Excitation

Green +Signal

White -Signal

Warranty:

Two-year limited

Approvals:

cFMus

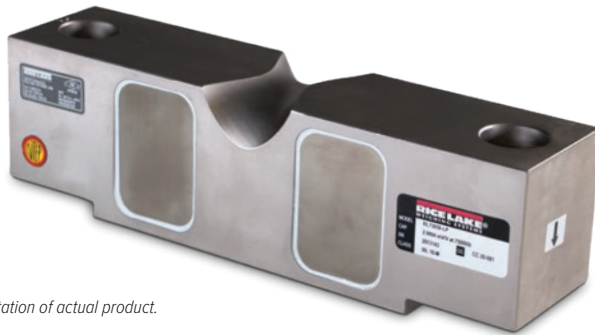
NTEP 98-143

DOUBLE-ENDED BEAM
RL75058-LP

Alloy Steel, Environmentally Sealed, NTEP Certified 1:10,000 Class III Multiple Cell, IP67



LOAD CELLS / WEIGH MODULES



Picture is a representation of actual product.

Approvals



Order Information

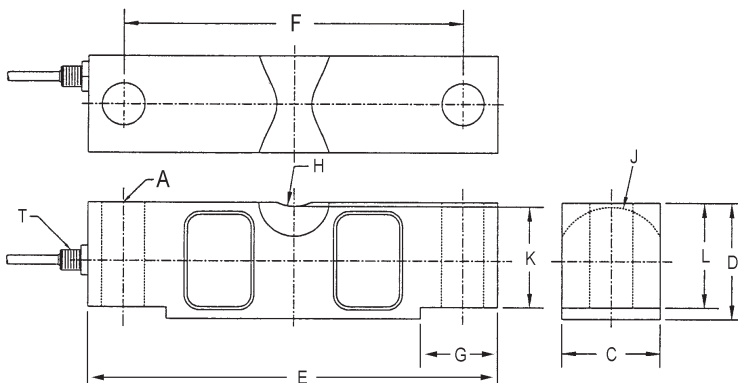
Load Rating	Part #	Est. Weight	Price
NTEP Certified 35 ft Cable			
20,000 lb	197770	8 lb	\$673.00
25,000 lb	197771	8 lb	\$673.00
40,000 lb	197772	13 lb	\$805.00
50,000 lb	197773	19 lb	\$885.00
60,000 lb	197774	19 lb	\$885.00
75,000 lb	197775	19 lb	\$885.00
100,000 lb	197776	40 lb	\$1,669.00
125,000 lb	197777	40 lb	\$1,669.00
Non-NTEP Certified 35 ft Cable			
10,000 lb	197769	8 lb	\$652.00
NTEP Certified 60 ft Cable			
50,000 lb	197778	20 lb	\$995.00
75,000 lb**	197781	20 lb	\$995.00
75,000 lb*	197782	20 lb	\$1,100.00
125,000 lb	197779	40 lb	\$1,800.00
NTEP Certified 100 ft Cable			
75,000 lb	197780	22 lb	\$1,100.00

*Stainless steel overbraided cable

**Used in Rice Lake truck scales

Dimensions

Rated Capacity	A	C	D	E	F	G	H	J	K	L	T
10,000 to 25,000	0.68	1.69	1.94	7.75	6.50	1.38	0.75	0.90	1.63	1.70	1/4-18 NPT
40,000	0.81	1.94	2.44	10.25	8.50	1.93	1.00	1.12	2.00	2.10	1/4-18 NPT
50,000 to 75,000	1.06	2.44	2.94	10.25	8.50	1.93	1.00	1.37	2.54	2.65	1/2-14 NPT
100,000 to 125,000	1.62	2.90	3.86	15.25	12.75	3.13	1.50	1.80	3.30	3.43	1/2-14 NPT



Interchangeable Products

VPG® SENSORTRONICS®
65058A
VPG® CELTRON
CLB

Weigh Module Available

RICE LAKE WEIGHING SYSTEMS
RL2100HE
RICE LAKE WEIGHING SYSTEMS
MVS

Specifications

- Full Scale Output:**
3.0 mV/V
- Output Resistance:**
700 (± 5) ohm
- Input Resistance:**
770 (± 10) ohm
- Material/Finish:**
High-alloy steel, nickel plated
- Temperature:**
Compensated range
14 °F to 104 °F (-10 °C to 40 °C)
Operating range
0 °F to 150 °F (-18 °C to 65 °C)
- Seal Type:**
Environmentally sealed, IP67
- Safe Overload:**
150% full scale
- Safe Sideload:**
100% full scale
- Rated Excitation:**
5 to 10 VDC (15 V maximum)
- Combined Error:**
0.02% full scale
- Insulation Resistance:**
5,000 megohm
- Cable Length:**
35 ft
60 ft
100 ft
- Cable Diameter:**
10,000 to 25,000 lb: 0.200 in
40,000 to 125,000 lb: 0.305 in
Polyurethane jacket
- Cable Coloring Code:**
Red +Excitation
Black -Excitation
Green +Signal
White -Signal
- Warranty:**
Two-year limited
- Approvals:**
cFMus
NTEP 20-081



Stainless Steel, Hermetically Sealed, NTEP Certified 1:10,000 Class IIIIL Multiple Cell, IP68/69K

DOUBLE-ENDED BEAM RL75058S-LP

LOAD CELLS /
WEIGH MODULES



Picture is a representation of actual product.

Approvals

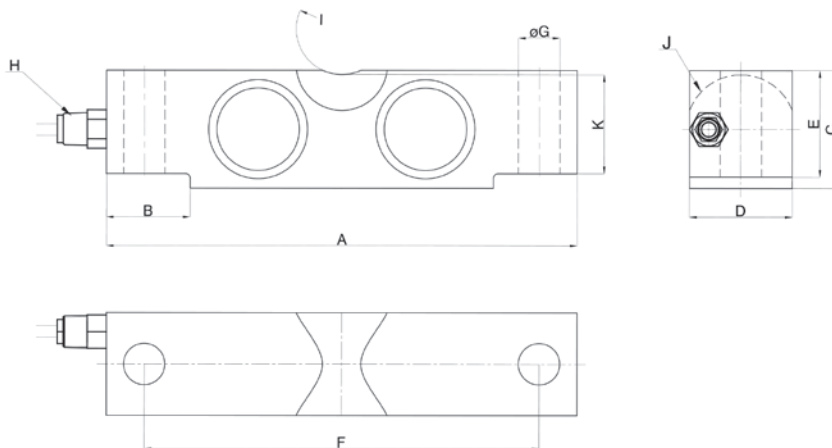


Order Information

Load Rating	Part #	Est. Weight	Price
NTEP Certified 35 ft Cable			
20,000 lb	197797	8 lb	\$927.00
25,000 lb	197798	8 lb	\$927.00
40,000 lb	198430	13 lb	\$1,160.00
50,000 lb	197799	19 lb	\$1,160.00
60,000 lb	197800	19 lb	\$1,160.00
75,000 lb	197801	19 lb	\$1,160.00
100,000 lb	197803	40 lb	Consult
125,000 lb	197804	40 lb	Consult
Non-NTEP Certified 35 ft Cable			
10,000 lb	197796	8 lb	\$864.00
NTEP Certified 60 ft Cable			
75,000 lb	197802	20 lb	\$1,240.00

Dimensions

Rated Capacity	A	B	C	D	E	F	ØG	H	I	J	K
lb/in											
10,000 to 25,000	7.75	1.38	1.94	1.69	1.70	6.50	0.68	1/4-18 NPT	R19.1	R22.9	1.63
40,000	10.25	1.93	2.44	1.94	2.10	8.50	0.81	1/4-18 NPT	R25.4	R28.5	2.00
50,000 to 75,000	10.25	1.93	2.94	2.44	2.65	8.50	1.06	1/2-14 NPT	R25.4	R34.8	2.54
100,000 to 125,000	15.25	3.13	3.86	2.90	3.43	12.75	1.62	1/2-14 NPT	R38.1	R45.7	3.30



Interchangeable Products

VPG® SENSORTRONICS®
65058S

Weigh Module Available

RICE LAKE WEIGHING SYSTEMS
RL2100HE
RICE LAKE WEIGHING SYSTEMS
MVS

Specifications

- Full Scale Output:**
3.0 mV/V
- Output Resistance:**
700 (± 7) ohm
- Input Resistance:**
700 (± 14) ohm
- Material/Finish:**
Stainless steel
- Temperature:**
Compensated range
14 °F to 104 °F (-10 °C to 40 °C)
Operating range
0 °F to 150 °F (-18 °C to 65 °C)
- Seal Type:**
Hermetically sealed, IP68/IP69K
- Safe Overload:**
150% full scale
- Safe Sideload:**
100% full scale
- Rated Excitation:**
5 to 10 VDC (15 V maximum)
- Combined Error:**
0.02% full scale
- Insulation Resistance:**
5,000 megohm
- Cable Length:**
35 ft
60 ft
- Cable Diameter:**
10,000 to 25,000 lb: 0.200 in
40,000 to 125,000 lb: 0.305 in
Polyurethane jacket
- Cable Coloring Code:**
Red +Excitation
Black -Excitation
Green +Signal
White -Signal
- Warranty:**
Two-year limited
- Approvals:**
cFMus
NTEP 20-081

RL75060S

Stainless Steel, Welded Seal, NTEP Certified 1:5,000 III/1:10,000 Class III L Multiple Cell, IP67

LOAD CELLS / WEIGH MODULES



Picture is a representation of actual product.

Approvals

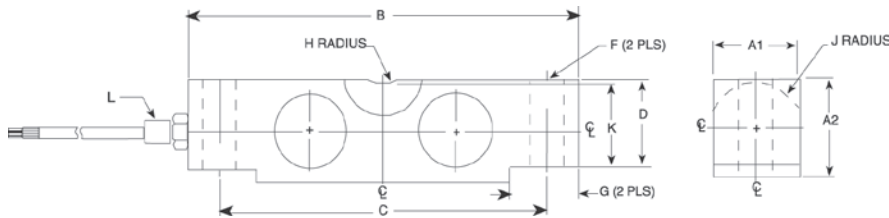


Order Information

Load Rating	Part #	Est. Weight	Price
35 ft Cable			
20,000 lb	53481	6 lb	\$927.00
25,000 lb	50559	6 lb	\$927.00
35,000 lb	50560	19 lb	\$1,160.00
50,000 lb	50561	19 lb	\$1,160.00
60,000 lb	50562	19 lb	\$1,095.00
75,000 lb	50563	19 lb	\$1,160.00
100,000 lb	50564	19 lb	\$2,115.00
60 ft Cable			
25,000 lb	157931	6 lb	\$1,050.00

Dimensions

Rated Capacity	F	A1	A2	B	C	G	H	J	K	D	L
lb/in											
20,000 to 25,000	0.68	1.69	1.94	7.75	6.50	1.38	0.75	0.90	1.63	1.70	1/4-18 NPT
35,000 to 75,000	1.06	2.44	2.94	10.25	8.50	1.93	1.00	1.37	2.54	2.65	1/2-14 NPT
100,000	1.06	2.44	3.44	10.25	8.50	1.93	1.00	1.37	2.54	2.65	1/2-14 NPT



Weigh Module Available

RICE LAKE WEIGHING SYSTEMS
MVS
 RICE LAKE WEIGHING SYSTEMS
RL2100HE

Specifications

- Full Scale Output:**
3.0 mV/V
- Output Resistance:**
699 to 707 ohm
- Input Resistance:**
686 to 714 ohm
- Material/Finish:**
Stainless steel
- Temperature:**
Compensated range
14 °F to 104 °F (-10 °C to 40 °C)
Operating range
0 °F to 150 °F (-18 °C to 65 °C)
- Seal Type:**
Welded-seal, IP67
- Safe Overload:**
150% full scale
- Safe Sideload:**
100% full scale
- Rated Excitation:**
5 to 10 VDC (15 V maximum)
- Combined Error:**
0.02% full scale
- Insulation Resistance:**
1,000 megohm
- Cable Length:**
35 ft
60 ft
- Cable Diameter:**
20,000 to 25,000 lb: 0.200 in
35,000 to 100,000 lb: 0.305 in
Polyurethane jacket
- Cable Coloring:**
Red +Excitation
Black -Excitation
Green +Signal
White -Signal
- Warranty:**
Two-year limited
- Approvals:**
cFMus
NTEP 96-027



Picture is a representation of actual product.

Approvals

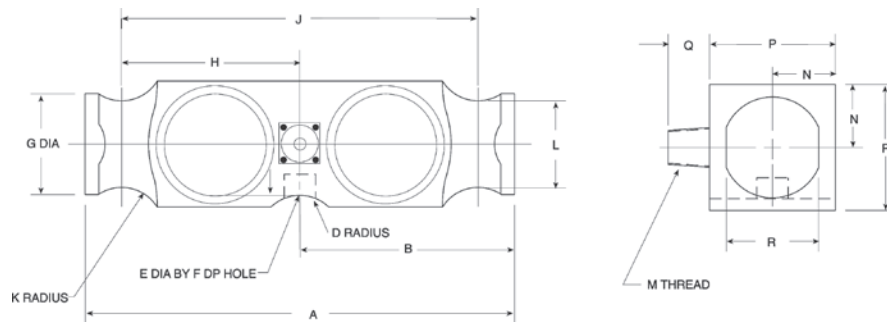


Order Information

Load Rating	Part #	Est. Weight	Price
40 ft Cable			
50,000 lb	21611	20 lb	\$900.00
65,000 lb	21612	20 lb	\$900.00
100,000 lb	21613	20 lb	\$1,160.00
60 ft Cable			
50,000 lb	107583	20 lb	\$980.00

Dimensions

Rated Capacity	A	B	D	E	F	G	H	J	K	L	M	N	P	Q	R
50,000 to 65,000 lb/in	10.25	5.12	1.00	0.75	0.78	2.40	4.25	8.50	1.00	2.06	1/2-14 NPT	1.50	3.00	1.03	2.20
100,000	10.25	5.12	1.00	—	—	2.40	4.25	8.50	1.00	2.06	1/2-14 NPT	1.50	3.00	1.03	2.20



Interchangeable Products

- VPG® REVERE
5223
- VPG® SENSORTRONICS®
65040A-XX-1127W
- ARTECH®
80210
- THURMAN®
TSC 800
- UNIBRIDGE®
DL9000

Weigh Module Available

- RICE LAKE WEIGHING SYSTEMS
Translink

Specifications

- Full Scale Output:**
3.0 mV/V
- Output Resistance:**
699 to 707 ohm
- Input Resistance:**
686 to 714 ohm
- Material/Finish:**
High-alloy steel
- Temperature:**
Compensated range
14 °F to 104 °F (-10 °C to 40 °C)
Operating range
0 °F to 150 °F (-18 °C to 65 °C)
- Seal Type:**
Welded-seal, IP67
- Safe Overload:**
150% full scale
- Safe Sideload:**
100% full scale
- Rated Excitation:**
5-10 VDC (15 V maximum)
- Non-repeatability:**
0.01% full scale
- Combined Error:**
0.03% full scale
- Insulation Resistance:**
5,000 megohm
- Deflection at Capacity:**
50,000 lb: 0.018 in
65,000 lb: 0.022 in
100,000 lb: 0.034 in
- Cable Length:**
40 ft
60 ft
- Cable Diameter:**
0.305 in polyurethane jacket
- Cable Color Code:**
Red +Excitation
Black -Excitation
Green +Signal
White -Signal
- Warranty:**
Two-year limited
- Approvals:**
cFMus
NTEP 97-126

RLDB50000S

Stainless Steel, Welded Seal, NTEP Certified 1:10,000 IIIIL Multiple Cell, IP67

LOAD CELLS /
WEIGH MODULES



Picture is a representation of actual product.

Approvals

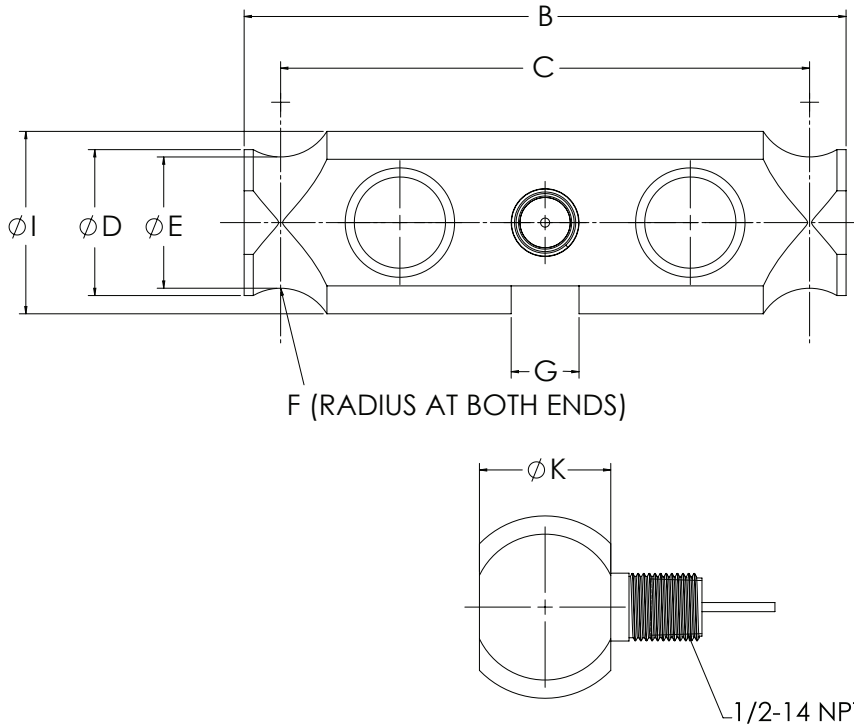


Order Information

Load Rating	Part #	Est. Weight	Price
50,000 lb	91765	10 lb	\$1,266.00

Dimensions

Rated Capacity	B	C	D	E	F	G	K	I
50,000 lb/in	8.25	7.25	2.00	1.76	0.75	0.93	1.80	2.50



Interchangeable Products

CARDINAL®
DB50000S

Specifications

- Full Scale Output:**
2.0 ± 0.1% mV/V
- Output Resistance:**
699 to 707 ohm
- Input Resistance:**
686 to 714 ohm
- Material/Finish:**
Stainless steel
- Temperature:**
Compensated range
14 °F to 104 °F (-10 °C to 40 °C)
Operating range
0 °F to 150 °F (-18 °C to 65 °C)
- Seal Type:**
Welded-seal, IP67
- Safe Overload:**
150% full scale
- Safe Sideload:**
100% full scale
- Rated Excitation:**
5 to 10 VDC (15 V maximum)
- Non-repeatability:**
0.01% full scale
- Combined Error:**
0.03% full scale
- Insulation Resistance:**
5,000 megohm
- Deflection at Capacity:**
0.01 in
- Cable Length:**
35 ft
- Cable Diameter:**
0.305 in
Polyurethane jacket
- Cable Color Code:**
Red +Excitation
Black -Excitation
White +Signal
Green -Signal
- Warranty:**
Two-year limited
- Approvals:**
cFMus
NTEP 92-018



Picture is a representation of actual product.

Approvals



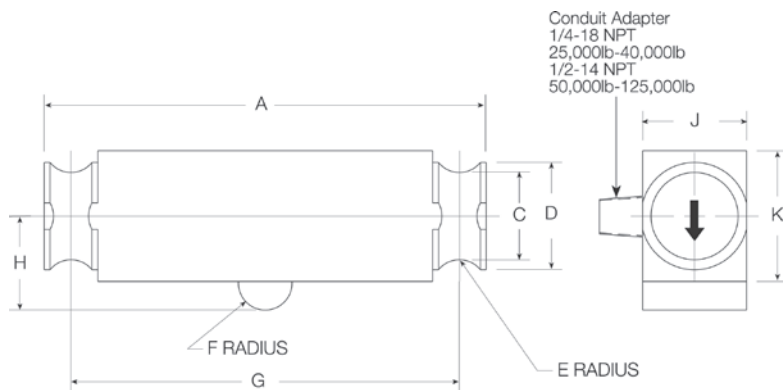
Order Information

Load Rating	Part #	Est. Weight	Price
35 ft Cable			
25,000 lb	21614	11 lb	\$673.00
40,000 lb	21615	12 lb	\$805.00
50,000 lb LE	21616	17 lb	\$885.00
60,000 lb LE	21617	17 lb	\$885.00
75,000 lb	21618	17 lb	\$885.00
100,000 lb	21619	40 lb	\$1,669.00
125,000 lb	21620	40 lb	\$1,669.00
40 ft Cable			
50,000 lb SE	87253	11 lb	\$805.00
60,000 lb SE	53593	11 lb	\$805.00
50 ft Cable			
50,000 lb LE	21621	18 lb	\$917.00
60,000 lb LE	21622	18 lb	\$917.00
75,000 lb	40951	18 lb	\$917.00

SE=small envelope; LE=large envelope

Dimensions

Rated Capacity	A	C	D	E	F	G	H	J	K
25,000 to 60,000 SE	8.25	1.63	2.00	0.50	0.50	7.25	1.75	1.94	2.44
50,000 LE to 75,000	11.50	1.70	2.20	0.75	1.00	10.00	2.00	1.94	2.94
100,000 to 125,000	14.50	2.44	3.20	1.00	1.50	12.50	2.75	2.90	3.86



Interchangeable Products

VPG® SENSORTRONICS®

65040A

ARTECH®

80310

THURMAN®

TSC 840

SENTRAN

WD1

ANYLOAD

102TH

Weigh Module Available

RICE LAKE WEIGHING SYSTEMS

Translink™

Specifications

Full Scale Output:

3.0 mV/V

Output Resistance:

700 (± 5) ohm

Input Resistance:

770 (± 10) ohm

Material/Finish:

High-alloy steel, nickel plated

Temperature:

Compensated range

14 °F to 104 °F (-10 °C to 40 °C)

Operating range

0 °F to 150 °F (-18 °C to 65 °C)

Seal Type:

Environmentally sealed, IP67

Safe Overload:

150% full scale

Safe Sideload:

100% full scale

Rated Excitation:

5 to 10 VDC (15 V maximum)

Combined Error:

0.03% full scale

Insulation Resistance:

1,000 megohm

Cable Length:

35 ft

40 ft

50 ft

Cable Diameter:

25,000 lb: 0.200 in

40,000 to 75,000 lb: 0.305 in polyurethane jacket

Cable Coloring Code:

Red +Excitation

Black -Excitation

Green +Signal

White -Signal

Warranty:

Two-year limited

Approvals:

cFMus

NTEP 00-027

RLCSP1

Stainless Steel, Welded Seal, NTEP Certified 1:10,000 Class III L Multiple Cell, IP67

LOAD CELLS / WEIGH MODULES



Picture is a representation of actual product.

Approvals

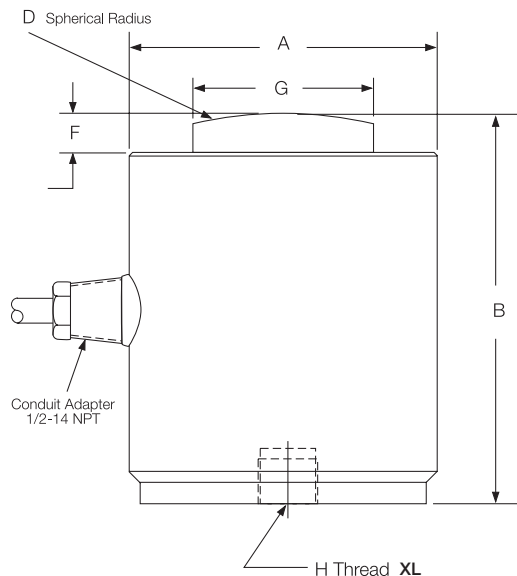


Order Information

Load Rating	Part #	Est. Weight	Price
35 ft Cable			
25,000 lb	32702	7 lb	\$1,903.00
50,000 lb	32701	7 lb	\$1,903.00
100,000 lb	32700	15 lb	\$2,226.00
200,000 lb	32699	28 lb	\$3,175.00
80 ft Cable			
200,000 lb	197788	30 lb	\$3,312.00

Dimensions

Rated Capacity	A	B	D	F	G	H	L-DEPTH
lb/in							
25,000 to 50,000	3.00	3.25	6.00	0.40	1.25	1/2-20 UNF	0.31
100,000	4.00	5.00	6.00	0.51	2.31	3/4-16 UNF	0.56
200,000	6.00	7.25	17.00	1.04	3.13	3/4-16 UNF	0.75



Interchangeable Products

- VPG® REVERE
- CSP**
- VPG® SENSORTRONICS®
- 65088-1000**
- VPG® REVERE
- 692B**
- HOWE RICHARDSON®
- 244699-000X**
- STREETER AMET®
- 3760XXX**

Weigh Module Available

- RICE LAKE WEIGHING SYSTEMS
- MagnaMount®**

Specifications

- Full Scale Output:**
2.0 mV/V
- Output Resistance:**
475.2 to 484.8 ohm
- Input Resistance:**
445.5 to 454.5 ohm
- Material/Finish:**
Stainless steel
- Temperature:**
Compensated range
14 °F to 104 °F (-10 °C to 40 °C)
Operating range
0 °F to 150 °F (-18 °C to 65 °C)
- Seal Type:**
Welded-seal, IP67
- Safe Overload:**
150% full scale
- Rated Excitation:**
5 to 10 VDC (15 V maximum)
- Combined Error:**
0.03% full scale
- Non-repeatability:**
0.01% full scale
- Insulation Resistance:**
1,000 megohm
- Deflection at Capacity:**
25,000 to 50,000 lb: 0.003 in
100,000 to 125,000 lb: 0.006 in
- Cable Length:**
35 ft
80 ft
- Cable Diameter:**
0.305 in polyurethane jacket
- Cable Color Code:**
Green +Excitation
Black -Excitation
White +Signal
Red -Signal
Orange Shield
- Warranty:**
Two-year limited
- Approvals:**
NTEP 95-140



Picture is a representation of actual product.

Approvals

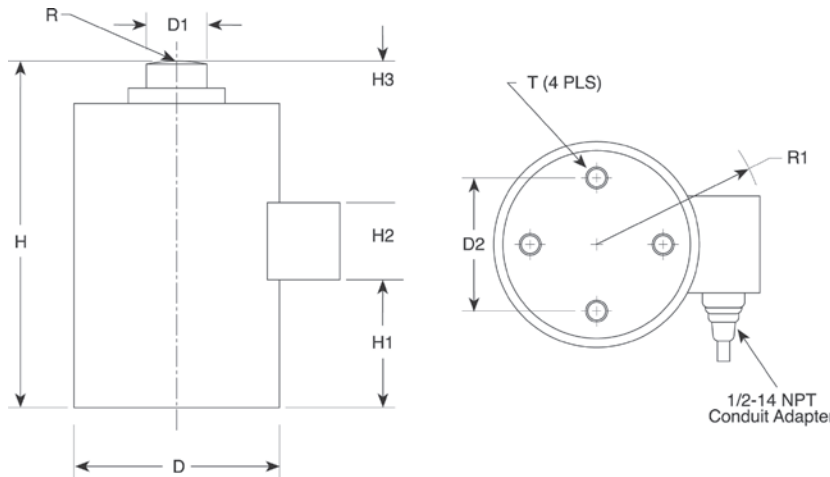


Order Information

Load Rating	Part #	Est. Weight	Price
50,000 lb	34855	20 lb	\$2,325.00
100,000 lb	34856	36 lb	\$2,325.00
200,000 lb	34857	75 lb	\$3,598.00

Dimensions

Rated Capacity	D	D1	D2	H	H1	H2	H3	R	R1	T
lb/in										
50,000	4.50	1.25	2.38	7.50	1.17	0.75	0.75	8.00	3.75	3/8-24 UNF × .63 DP
100,000	5.75	1.75	4.00	9.13	2.00	0.87	1.05	12.00	4.05	1/2-20 UNF × .75 DP
200,000	7.50	2.50	5.50	11.63	2.93	0.97	0.97	12.00	5.11	5/8-18 UNF × 25.4 DP



Interchangeable Products

VPG® REVERE
792

Specifications

Full Scale Output:
2.0 mV/V

Output Resistance:
350 (± 3.5) ohm

Input Resistance:
350 (± 3.5) ohm

Material/Finish:
Stainless steel

Temperature:
Compensated range
14 °F to 104 °F (-10 °C to 40 °C)
Operating range
0 °F to 150 °F (-18 °C to 65 °C)

Seal Type:
Hermetically sealed, IP68

Safe Overload:
150% full scale

Rated Excitation:
10 VDC (15 V maximum)

Non-repeatability:
0.01% full scale

Combined Error:
0.03% full scale

Insulation Resistance:
> 1,000 megohm

Deflection at Capacity:
50,000 lb: 0.004 in
100,000 lb: 0.006 in
200,000 lb: 0.009 in

Cable Length:
35 ft

Cable Color Code:
Green +Excitation
Black -Excitation
White +Signal
Red -Signal
Orange Shield

Warranty:
Two-year limited

Approvals:
cFMus
NTEP 92-218

ROCKER COLUMN
RLSCA-50K

Stainless Steel, Welded Seal, NTEP Certified 1:10,000 Class III Multiple Cell, IP67

LOAD CELLS /
 WEIGH MODULES



Picture is a representation of actual product.

Approvals



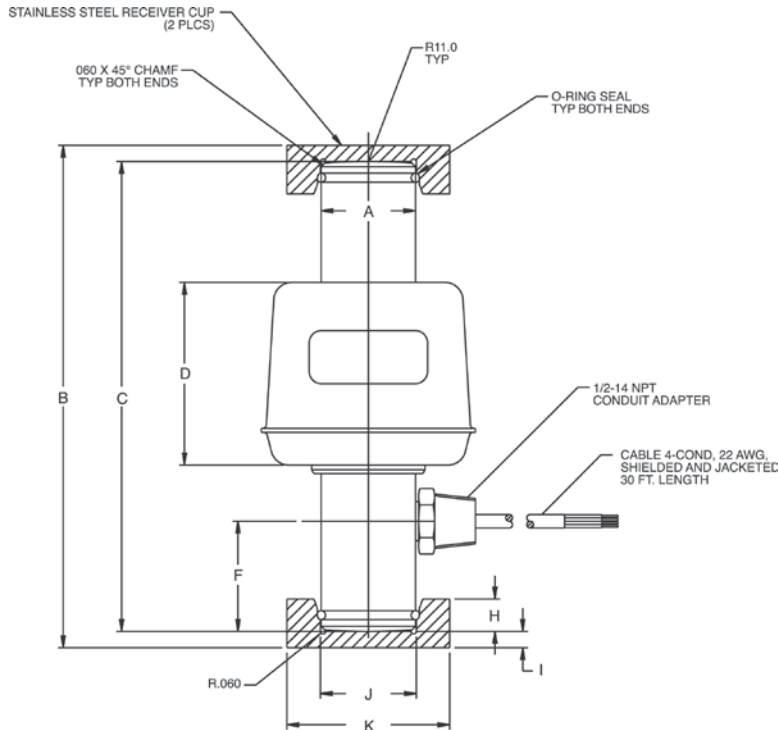
Order Information

Load Rating	Part #	Est. Weight	Price
50,000 lb*	68918	7 lb	\$1,055.00
Replacement Parts			
Replacement load cup set upper and lower included	85433	1 lb	\$100.00
Replacement O-ring	92988	1 lb	\$1.00/each

*Load cell supplied with load cups

Dimensions

Rated Capacity	A	B	C	D	F	H	I	J	K
50,000 lb/in	1.46	7.75	7.25	2.82	1.70	0.50	0.25	1.48	2.50



Interchangeable Products

CARDINAL®
SCA-50K

Specifications

- Full Scale Output:**
2 mV/V nominal
- Output Resistance:**
1,050 (± 10) ohm
- Input Resistance:**
1,100 to 1,500 ohm
- Material/Finish:**
Stainless steel
- Temperature:**
Compensated range
14 °F to 104 °F (-10 °C to 40 °C)
Operating range
0 °F to 150 °F (-18 °C to 65 °C)
- Seal Type:**
Welded-seal, IP67
- Safe Overload:**
150% full scale
- Rated Excitation:**
5 to 10 VDC (15 V maximum)
- Combined Error:**
0.025% full scale
- Non-repeatability:**
0.01% full scale
- Insulation Resistance:**
1,000 megohm
- Cable Length:**
30 ft
- Cable Diameter:**
0.200 in
Polyurethane jacket
- Cable Color Code:**
Green +Excitation
Black -Excitation
Red +Signal
White -Signal
- Warranty:**
Two-year limited
- Approvals:**
NTEP 01-073
cFMus

RL70510/RL80453

Stainless Steel, Hermetically Sealed, NTEP Certified 1:10,000 Class III L, IP69K

LOAD CELLS / WEIGH MODULES



Picture is a representation of actual product.

Approvals



Order Information: RL70510

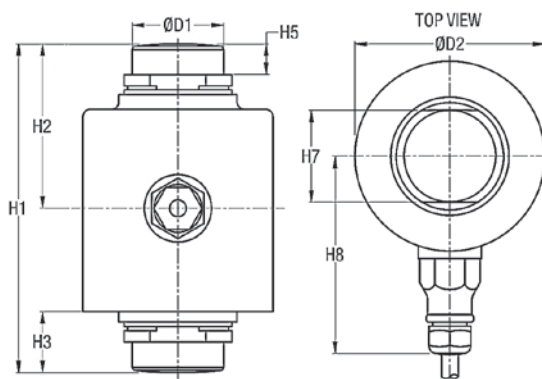
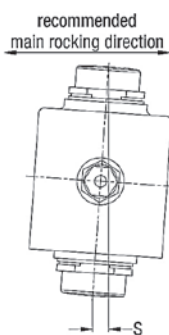
Load Rating	Part #	Est. Weight	Price
30t	169363	6 lb	\$1,044.00
Upper load cup	109332	4 lb	\$143.00
Lower load cup	109331	4 lb	\$116.00

Order Information: RL80453

Load Rating	Part #	Est. Weight	Price
100,000 lb	169365	6 lb	\$1,070.00
Upper load cup	109332	4 lb	\$143.00
Lower load cup	109331	4 lb	\$116.00

Dimensions

Rated Capacity	H1	H2	H3	H5	H7	H8	D1	D2
t/in								
30	5.51	2.76	1.02	0.51	1.54	3.32	1.54	3.18
lb/in								
100,000	5.91	2.95	1.30	0.51	1.54	3.32	1.54	3.18



Interchangeable Products

FAIRBANKS®	
70510	LCF HR 4020-2A
FAIRBANKS	
80453	LCF HR 4020-21

Specifications

Full Scale Output:

2.0 mV/V

Output Resistance:

1,000 (± 2) ohm

Input Resistance:

1,150 (± 50) ohm

Material/Finish:

Stainless steel

Temperature:

Compensated range

14 °F to 104 °F (-10 °C to 40 °C)

Operating range

0 °F to 150 °F (-18 °C to 65 °C)

Seal Type:

Hermetically sealed, IP69K

Safe Overload:

200% full scale

Rated Excitation:

5 to 10 VDC (15 V max)

Combined Error:

0.02% full scale

Insulation Resistance:

5,000 megohm

Cable Length:

15 ft

Cable Diameter:

0.200 in

Stainless steel overbraid cable

Cable Color Code:

Green +Excitation

Black -Excitation

White +Signal

Red -Signal

Yellow Shield

Warranty:

Two-year limited

Approvals:

NTEP 15-057

RL75114-50K

Stainless Steel, Welded Seal, NTEP Certified 1:10,000 Class III L, IP67

LOAD CELLS /
WEIGH MODULES



Picture is a representation of actual product.

Approvals



Order Information

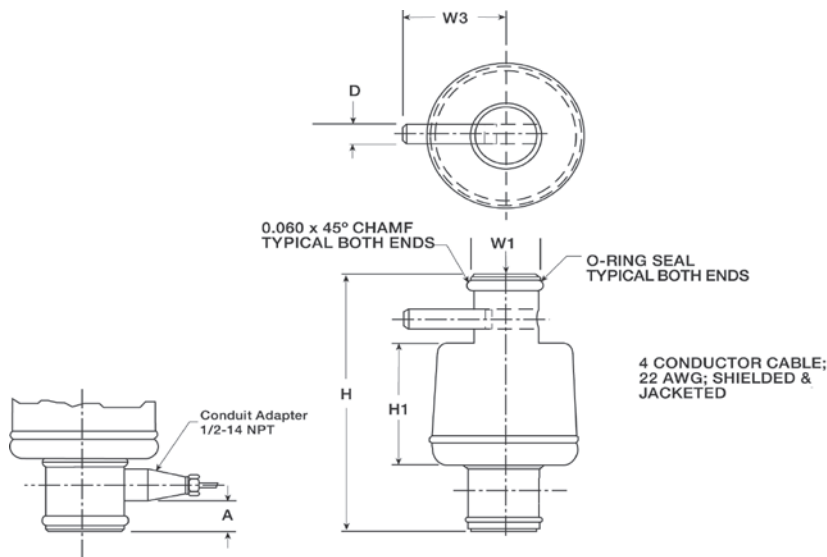
Load Rating	Part #	Est. Weight	Price
50,000 lb LE	88074	6 lb	\$1,266.00
Replacement Parts			
Replacement O-ring	92988	1lb	\$1.00
Spring pin	116181	1 lb	\$5.00

LE=Large envelope

Not interchangeable with Sensortronics 65114 - different mV/V

Dimensions

Rated Capacity	A	D	H	H1	W1	W3
50,000 LE	0.87	0.38	7.56	2.82	1.46	2.18



Interchangeable Products

FAIRBANKS®

64166..... LCF HR 4020-2

Specifications

Full Scale Output:

1.8 mV/V nominal

Output Resistance:

1,000 (± 10) ohm

Input Resistance:

1,000 ohm

Material/Finish:

Stainless steel

Temperature:

Compensated range

14 °F to 104 °F (-10 °C to 40 °C)

Operating range

0 °F to 150 °F (-18 °C to 65 °C)

Seal Type:

Welded-seal, IP67

Safe Overload:

150% full scale

Rated Excitation:

5 to 10 VDC

Combined Error:

0.025% full scale

Non-repeatability:

0.01% full scale

Insulation Resistance:

1,000 megohm

Cable Length:

30 ft

Cable Diameter:

0.200 in overbraid cable

Cable Color Code:

Green +Excitation

Black -Excitation

White +Signal

Red -Signal

Warranty:

Two-year limited

Approvals:

NTEP 06-022

cFMus



25K shown

5K shown

Load cup sold separately on 5,000 and 10,000 lb models.

Picture is a representation of actual product.

Approvals



Order Information

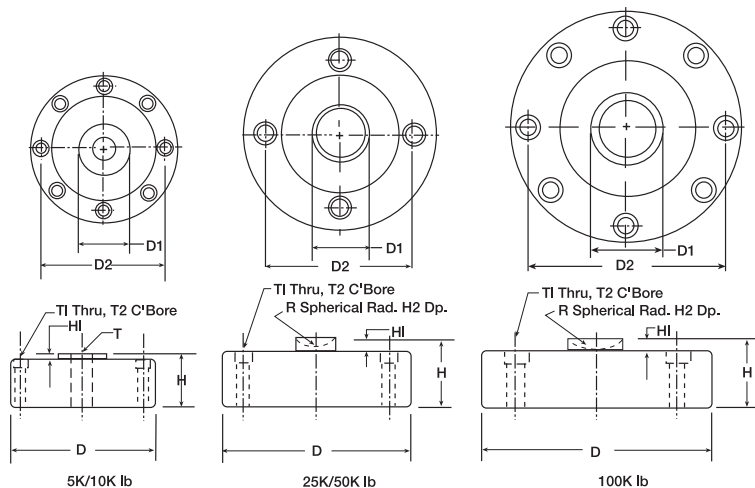
Load Rating	Part #	Est. Weight	Price
5,000 lb*	33061	6 lb	\$689.00
10,000 lb*	33062	6 lb	\$689.00
25,000 lb	33063	9 lb	\$843.00
50,000 lb	33064	9 lb	\$843.00
100,000 lb	33065	13 lb	\$990.00
Load Cup**	33616		\$37.00

*5,000lb and 10,000lb models can be used in compression and tension load applications.

**Load cup, PN 33616, is required for compression applications on 5,000lb and 10,000lb capacity load cells.

Dimensions

Rated Capacity	T	R	D	D1	D2	H	H1	H2	T1	T2
5,000* to 10,000*	5/8-18 UNF-3B	—	4.12	1.26	3.50	1.37	0.12	—	0.28	0.406 x 0.283 DP
25,000 to 50,000	—	0.875	4.75	1.53	4.00	2.12	0.50	0.30	0.34	0.508 x 0.38 DP
100,000	—	0.875	5.50	1.98	4.60	2.25	0.25	0.30	0.41	0.626 x 0.4 DP



Interchangeable Products

VPG® CELTRON
LCD

Specifications

Full Scale Output:

4.0 mV/V

Output Resistance:

5,000 to 50,000 lb: 350 (± 3) ohm
100,000 lb: 700 (± 5) ohm

Input Resistance:

5,000 to 50,000 lb: 385 (± 5) ohm
100,000 lb: 770 (± 70) ohm

Material/Finish:

High-alloy steel, nickel plated

Temperature:

Operating range
0 °F to 150 °F (-18 °C to 65 °C)

Seal Type:

Environmentally sealed, IP67

Safe Overload:

150% full scale

Safe Sideload:

100% full scale

Rated Excitation:

15 VDC (15 V maximum)

Nonlinearity:

0.05% full scale

Hysteresis:

0.02% full scale

Insulation Resistance:

2,000 megohm

Cable Length:

50 ft

Cable Diameter:

5,000 to 25,000 lb: 0.200 in
50,000 to 100,000 lb: 0.305 in Polyurethane jacket

Cable Color Code:

Red +Excitation
Black -Excitation
Green +Signal
White -Signal

Warranty:

Two-year limited

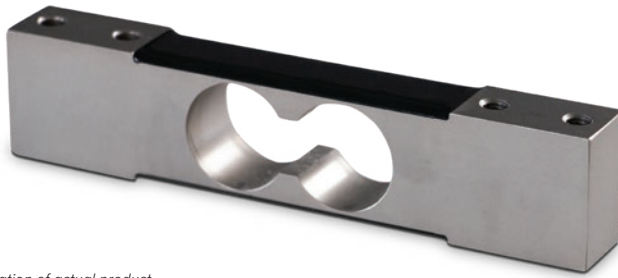
Approvals:

cFMus

SINGLE POINT
RLPC3SS

Stainless Steel, Environmentally Sealed, NTEP Certified 1:3,000 Class III Single Cell, IP67

LOAD CELLS /
WEIGH MODULES



Picture is a representation of actual product.

Approvals

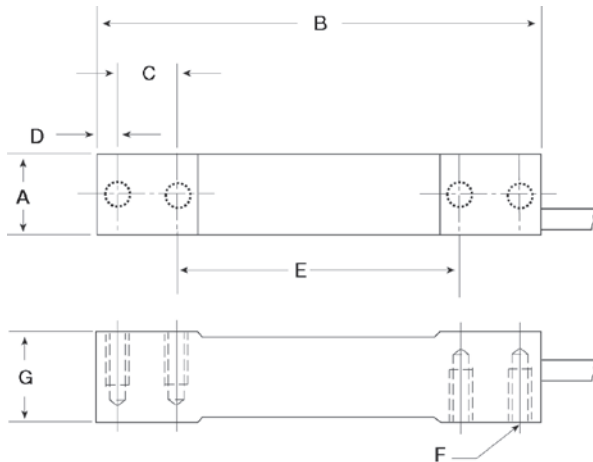


Order Information

Load Rating	Part #	Est. Weight	Price
7 kg	205274	2 lb	\$328.00
10 kg	205275	2 lb	\$328.00
30 kg	205276	2 lb	\$328.00
60 kg	205277	2 lb	\$328.00
100 kg	205278	2 lb	\$328.00
150 kg	205279	2 lb	\$328.00

Dimensions

Rated Capacity	A	B	C	D	E	F	G
kg/mm							
7 to 10	18.4	139.8	19.0	6.6	88.7	M6 × 1.0	30.1
30 to 60	18.4	139.8	19.0	6.6	88.7	M6 × 1.0	30.0
100 to 150	30.2	139.7	22.3	7.8	79.2	3/8-16 UNC	30.7



Interchangeable Products

RICE LAKE WEIGHING SYSTEMS

RL1380

FLINTEC

PC3

HBK®

PWS

Specifications

Full Scale Output:

2 mV/V

Output Resistance:

350 (± 10) ohm

Input Resistance:

385 (± 15) ohm

Material Finish:

Stainless steel

Temperature Compensation:

Compensated range
14 °F to 104 °F (-10 °C to 40 °C)
Operating range
0 °F to 150 °F (-18 °C to 65 °C)

Seal Type:

Environmentally sealed, IP67

Safe Overload:

150% full scale

Rated Excitation:

5 to 10 VDC

Insulation Resistance:

5,000 megohm

Max Platform Size:

7 kg to 30 kg: 350 × 350 mm
60 kg to 150 kg: 450 × 450 mm

Combined Error:

0.02% full scale

Cable Length:

10 ft

Cable Diameter:

0.140 in polyurethane jacket

Color Code:

Green +Excitation
Black -Excitation
White +Signal
Red -Signal
Yellow Shield

Warranty:

One-year limited

Approvals:

NTEP 21-017
OIML R60/2017-A-NL1-21.17



Picture is a representation of actual product.

Approvals

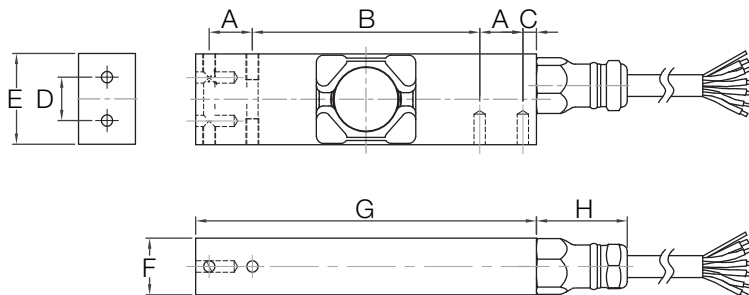


Order Information

Load Rating	Part #	Est. Weight	Price
10 kg	205270	3 lb	\$630.00
20 kg	205271	3 lb	\$630.00
50 kg	205272	3 lb	\$630.00
100 kg	205273	3 lb	\$630.00

Dimensions

Rated Capacity	A	B	C	D	E	F	G	H
kg/mm								
10 to 100	19.0	100.0	6.0	19.1	40.0	25.0	150.0	40.0



Interchangeable Products

FLINTEC
PC4
HBK®
PW15AH*
*350 Ohm

Specifications

- Full Scale Output:**
2 mV/V
- Output Resistance:**
960 (± 50) ohm
- Input Resistance:**
1100 (± 50) ohm
- Material Finish:**
Stainless steel
- Temperature Compensation:**
Compensated range
14 °F to 104 °F (-10 °C to 40 °C)
Operating range
0 °F to 150 °F (-18 °C to 65 °C)
- Seal Type:**
Hermetically sealed, IP69K
- Safe Overload:**
150% full scale
- Rated Excitation:**
5 to 10 VDC
- Insulation Resistance:**
> 5,000 megohm
- Max Platform Size:**
500 × 400 mm
- Combined Error:**
0.02% full scale
- Cable Length:**
10 ft
- Color Code:**
Green +Excitation
Black -Excitation
White +Signal
Red -Signal
Blue +Sense
Brown -Sense
Yellow Shield
- Warranty:**
One-year limited
- Approvals:**
NTEP 21-016
OIML R60/2017-A-NL1-21.18

SINGLE POINT
RLPC6

Stainless Steel, Hermetically Sealed, NTEP Certified 1:5,000 Class III Single Cell, IP69K

LOAD CELLS /
WEIGH MODULES



Picture is a representation of actual product.

Approvals

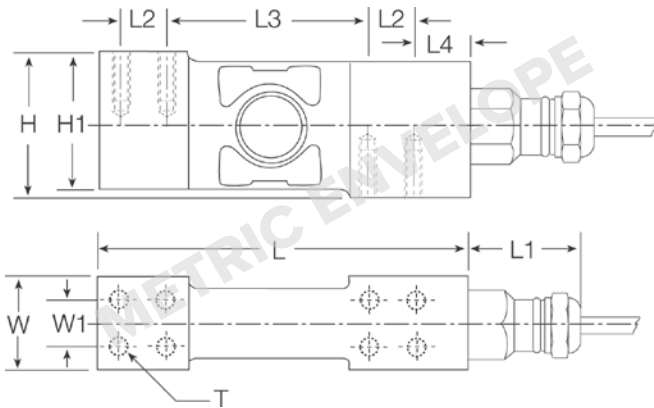


Order Information

Load Rating	Part #	Est. Weight	Price
10 kg	87027	3 lb	\$630.00
20 kg	87028	3 lb	\$630.00
50 kg	87029	3 lb	\$630.00
100 kg	87030	3 lb	\$630.00
200 kg	87031	3 lb	\$630.00

Dimensions

Rated Capacity	H	H1	L	L1	L2	L3	L4	W	W1	T
kg/mm										
10 to 200	48.0	45.5	123.0	41.0	15.2	67.6	17.8	30.1	15.2	8 x M6/15 DP



Interchangeable Products

FLINTEC
PC6

Specifications

Full Scale Output:

2.0 mV/V

Output Resistance:

960 (± 50) ohm, nominal

Input Resistance:

1,100 (± 50) ohm

Material/Finish:

Stainless steel

Temperature:

Compensated range

14 °F to 104 °F (-10 °C to 40 °C)

Operating range

0 °F to 150 °F (-18 °C to 65 °C)

Seal Type:

Hermetically sealed, IP69K

Safe Overload:

200% full scale

Safe Sideload:

100% full scale

Rated Excitation:

5 to 10 VDC

Combined Error:

0.02% full scale

Insulation Resistance:

5,000 megohm

Cable Length:

10 ft

Cable Diameter:

0.196 in

Polyurethane jacket

Cable Color Code:

Green +Excitation

Black -Excitation

White +Signal

Red -Signal

Yellow Shield

Max Deflection:

0.006 to 0.010 in

Max Platform Size:

24 × 24 in

Warranty:

Two-year limited

Approvals:

FM

NTEP 06-011



Picture is a representation of actual product.

Approvals

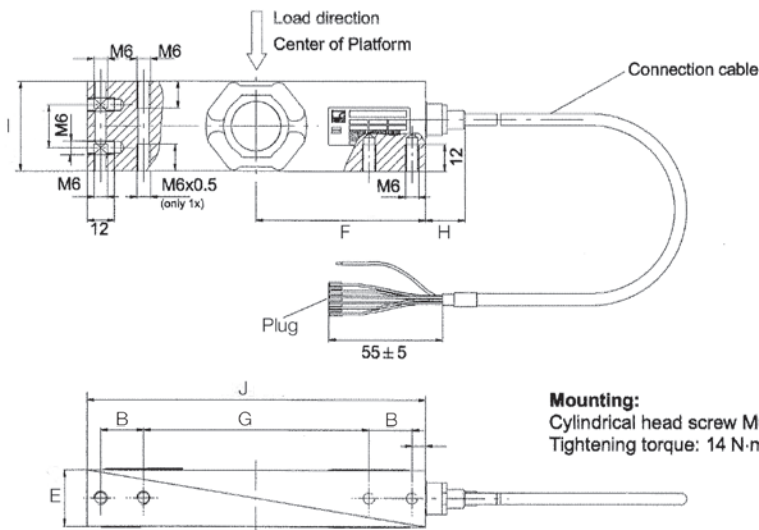


Order Information

Load Rating	Part #	Est. Weight	Price
10 ft Cable			
10 kg	108685	3 lb	\$768.00
20 kg	108686	3 lb	\$768.00
50 kg	108687	3 lb	\$768.00
100 kg	108688	3 lb	\$768.00
2.83 ft Cable			
10 kg	107174	3 lb	\$768.00
20 kg	107175	3 lb	\$768.00
50 kg	107176	3 lb	\$768.00
100 kg	107177	3 lb	\$768.00

Dimensions

Rated Capacity	B	E	F	G	H	I	J
kg/mm							
10 to 100	19.0	25.0	75.0	100.0	17.5	40.0	150.0



Interchangeable Products

HBK®
PW15AH

Specifications

Full Scale Output:
2.0 mV/V

Output Resistance:
350 (± 10) ohm

Input Resistance:
380 (± 15) ohm

Material/Finish:
Stainless steel

Temperature:
Compensated range
14 °F to 104 °F (-10 °C to 40 °C)
Operating range
0 °F to 150 °F (-18 °C to 65 °C)

Seal Type:
Hermetically sealed, IP69K

Safe Overload:
150% full scale

Rated Excitation:
5 to 10 VDC (15 V maximum)

Combined Error:
0.02% full scale

Insulation Resistance:
1,000 megohm

Cable Length:
10 ft
2.83 ft

Cable Diameter:
0.212 in PVC jacket

Platform Size:
500 × 400 mm

Cable Color Code:
Blue +Excitation
Black -Excitation
White +Signal
Red -Signal
Green +Sense
Grey -Sense

Warranty:
Two-year limited

Approvals:
FM
NTEP 09-015

LOAD CELLS /
WEIGH MODULES

RLPWM15

Stainless Steel, Environmentally Sealed, NTEP Certified 1:5,000 Class III Single Cell, IP67

LOAD CELLS /
WEIGH MODULES



Picture is a representation of actual product.

Approvals

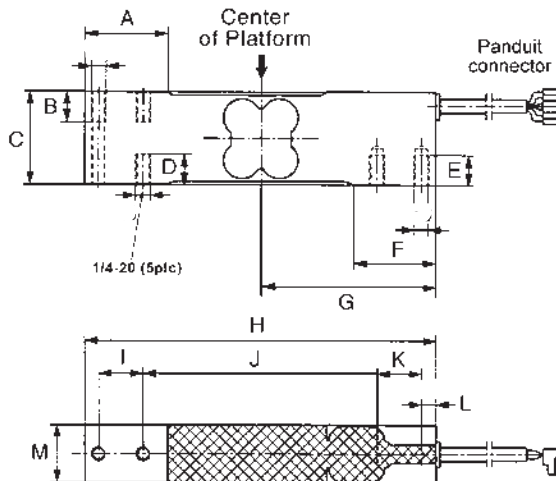


Order Information

Load Rating	Part #	Est. Weight	Price
10 kg	119904	1 lb	\$344.00
15 kg	119912	1 lb	\$344.00
20 kg	119905	1 lb	\$344.00
50 kg	119908	1 lb	\$344.00
75 kg	119909	1 lb	\$344.00
100 kg	119910	1 lb	\$344.00

Dimensions

Rated Capacity	A	B	C	D	E	F	G	H	I	J	K	L	M	T
kg/mm														
10 to 100	35.0	13.0	40.0	13.0	13.0	35.0	75.0	150.0	19.0	100.0	19.0	6.2	25.0	1/4-20 UNC



Interchangeable Products

HBK®
PW15
VPG® TEDEA-HUNTLEIGH
1142

Specifications

- Full Scale Output:**
2.0 mV/V
- Bridge Resistance:**
350 ohm, nominal
- Material/Finish:**
Stainless steel
- Temperature:**
Compensated range
14 °F to 104 °F (-10 °C to 40 °C)
Operating range
0 °F to 150 °F (-18 °C to 65 °C)
- Seal Type:**
Environmentally sealed, IP67
- Safe Overload:**
150% full scale
- Rated Excitation:**
5 to 10 VDC (15 V maximum)
- Combined Error:**
0.02% full scale
- Insulation Resistance:**
1,000 megohm
- Cable Length:**
10 ft
- Cable Diameter:**
0.190 in PVC jacket
- Max Platform Size:**
15 × 15 in
- Cable Color Code:**
Blue +Excitation
Black -Excitation
White +Signal
Red -Signal
Green +Sense
Grey -Sense
- Warranty:**
Two-year limited
- Approvals:**
FM
NTEP 11-038



Picture is a representation of actual product.

Approvals

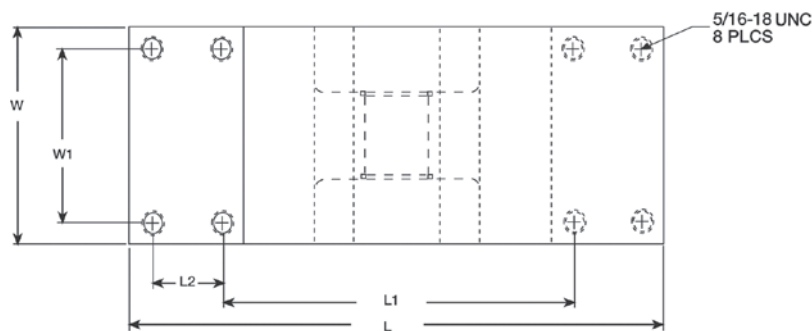
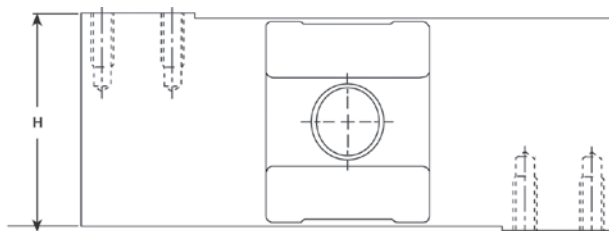


Order Information

Load Rating	Part #	Est. Weight	Price
50 kg	87022	12 lb	\$980.00
100 kg	87023	12 lb	\$980.00
250 kg	87024	13 lb	\$980.00
500 kg	87025	13 lb	\$980.00
1,000 kg	87026	15 lb	\$980.00

Dimensions

Rated Capacity	L	L1	L2	W	W1	H
kg/mm						
50 to 1,000	190.5	107.0	35.0	73.7	50.0	73.7



Specifications

Full Scale Output:
2 mv/v

Output Resistance:
960 (± 50) ohm

Input Resistance:
1,100 (± 50) ohm

Material/Finish:
Stainless steel

Temperature:
Compensated range
14 °F to 104 °F (-10 °C to 40 °C)
Operating range
0 °F to 150 °F (-18 °C to 65 °C)

Seal Type:
Hermetically sealed, IP69K

Safe Overload:

200% full scale

Safe Sideload:

100% full scale

Rated Excitation:

5 to 10 VDC

Combined Error:

0.020% full scale

Insulation Resistance:

5,000 megohm

Cable Length:

10 ft

Cable Diameter:

0.196 in
Polyurethane jacket

Cable Color Code:

Green +Excitation
Black -Excitation
White +Signal
Red -Signal
Blue +Sense
Brown -Sense
Yellow Shield

Max Platform Size:

24 × 24 in

Warranty:

Two-year limited

Approvals:

FM
NTEP 07-094

SINGLE POINT
RL1521A

Aluminum, Environmentally Sealed, NTEP Certified 1:5,000 Class III Single Cell, IP66

LOAD CELLS /
WEIGH MODULES



Picture is a representation of actual product.

Approvals

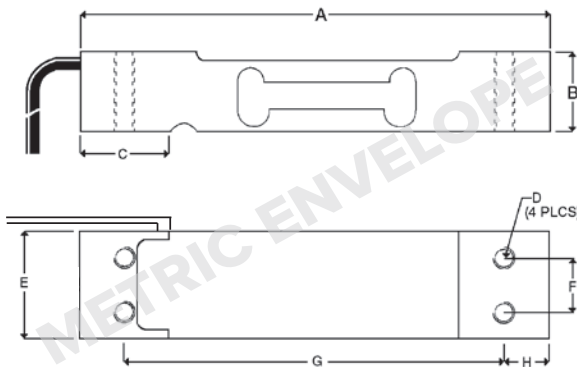


Order Information:

Load Rating	Part #	Est. Weight	Price
1.50 ft Cables			
3 kg	50620	1 lb	\$148.00
5 kg	50619	1 lb	\$148.00
7 kg	50621	1 lb	\$148.00
10 kg	50622	1 lb	\$148.00
15 kg	50623	1 lb	\$148.00
20 kg	50624	1 lb	\$148.00
30 kg	50625	1 lb	\$148.00
35 kg	50626	1 lb	\$148.00
10 ft Cables			
3 kg	132261	3 lb	\$148.00
5 kg	132262	3 lb	\$148.00
7 kg	132263	3 lb	\$148.00
10 kg	132264	3 lb	\$148.00
15 kg	132265	3 lb	\$148.00
20 kg	132266	3 lb	\$148.00
30 kg	132267	3 lb	\$148.00
35 kg	132268	3 lb	\$148.00

Dimension

Rated Capacity	A	B	C	D	E	F	G	H
kg/mm								
3 to 7	130.0	22.0	25.0	M6 × 1.0	25.4	15.0	106.0	12.0
10 to 30	130.0	22.0	25.0	M6 × 1.0	30.0	15.0	106.0	12.0
35	130.0	22.0	25.0	M6 × 1.0	40.0	15.0	106.0	12.0



Interchangeable Products

- VPG® CELTRON
- LPS except 3 kg
- VPG® TEDEA-HUNTLEIGH
- 1022
- VPG® BLH
- C2G1
- FAIRBANKS®
- 4900 Series
- Checkweighers
- NMB®
- C2G1
- ARTECH®
- 61022

Specifications

- Full Scale Output:**
2.0 mV/V
- Output Resistance:**
350 (± 3) ohm
- Input Resistance:**
410 (± 15) ohm
- Material/Finish:**
Aluminum
- Temperature:**
Compensated range
14 °F to 104 °F (-10 °C to 40 °C)
Operating range
0 °F to 150 °F (-18 °C to 65 °C)
- Seal Type:**
Environmentally sealed, IP66
- Safe Overload:**
150% full scale
- Rated Excitation:**
5 to 10 VDC (15 V maximum)
- Combined Error:**
0.03% full scale
- Insulation Resistance:**
2,000 megohm
- Cable Length:**
10 ft
1.50 ft
- Cable Diameter:**
0.14 in PVC jacket
- Cable Color Code:**
Green +Excitation
Black -Excitation
Red +Signal
White -Signal
- Max Platform Size:**
13.75 × 13.75 in
- Warranty:**
Two-year limited
- Approvals:**
cFMus
NTEP 98-166



Picture is a representation of actual product.

Approvals

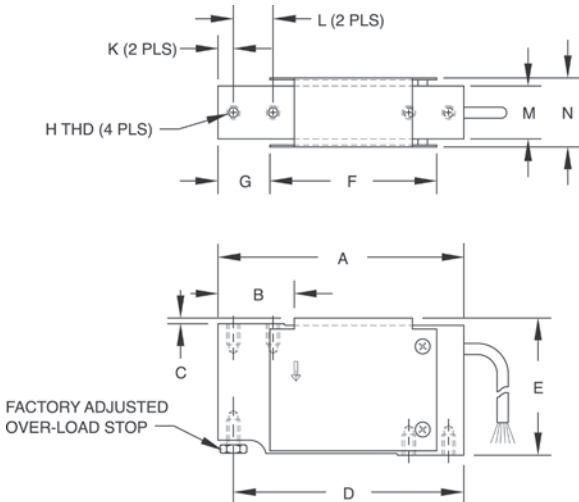


Order Information

Load Rating	Part #	Est. Weight	Price
NTEP Certified, Potted			
10 kg	50819	2 lb	\$205.00
15 kg	50820	2 lb	\$205.00
20 kg	50821	2 lb	\$205.00
30 kg	50822	2 lb	\$205.00
50 kg	50823	2 lb	\$205.00
Non-NTEP Certified, Potted			
7 kg	17529	2 lb	\$205.00
10 kg	17530	2 lb	\$205.00
15 kg	17531	2 lb	\$195.00
20 kg	17532	2 lb	\$205.00
30 kg	17533	2 lb	\$205.00
50 kg	17534	2 lb	\$205.00
90 kg	17535	2 lb	\$205.00
Non-NTEP Certified, Unpotted			
3 kg	17527	1 lb	\$190.00
5 kg	17528	1 lb	\$190.00

Dimensions

Rated Capacity	A	B	C	D	E	F	G	H	K	L	M	N
kg/mm												
3 to 90	118.1	34.0	3.0	110.5	66.0	80.0	25.0	1/4-20 UNC x 13 DP	7.5	19.1	25.4	33.5



Interchangeable Products

VPG® TEDEA-HUNTLEIGH
1010/1015

Specifications

- Full Scale Output:**
2.0 mV/V
- Output Resistance:**
350 (± 3) ohm, nominal
- Input Resistance:**
415 (± 15) ohm
- Material/Finish:**
Anodized aluminum
- Temperature:**
Compensated range
14 °F to 104 °F (-10 °C to 40 °C)
Operating range
0 °F to 150 °F (-18 °C to 65 °C)
- Seal Type:**
Potted: IP67
Unpotted: IP65
- Safe Overload:**
150% at center of loading point, full scale
- Rated Excitation:**
5 to 10 VDC (15 V maximum)
- Combined Error:**
0.02% full scale
- Insulation Resistance:**
5,000 megohm
- Deflection at Capacity:**
0.015 in
- Cable Length:**
Potted: 10 ft
Unpotted: 3 ft
- Cable Diameter:**
0.200 in PVC jacket
- Cable Color Code:**
Green +Excitation
Black -Excitation
Red +Signal
White -Signal
Blue +Sense
Brown -Sense
- Max Platform Size:**
15.75 x 15.75 in
- Warranty:**
Two-year limited
- Approvals:**
cFMus
NTEP 00-062

RLSP4

Aluminum, Environmentally Sealed, NTEP Certified 1:5,000 Class III Single Cell, IP66

LOAD CELLS /
WEIGH MODULES



Picture is a representation of actual product.

Approvals

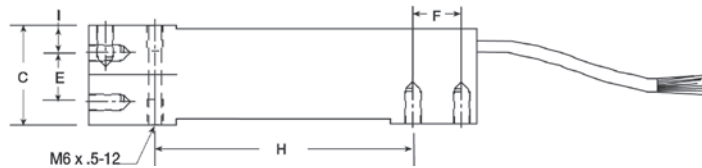
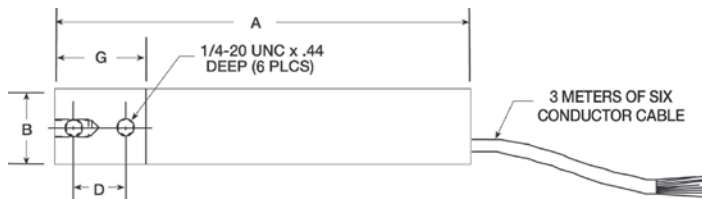


Order Information

Load Rating	Part #	Est. Weight	Price
NTEP Certified			
7 kg	91725	2 lb	\$222.00
10 kg	91726	2 lb	\$222.00
15 kg	91727	2 lb	\$222.00
20 kg	91728	2 lb	\$222.00
30 kg	91729	2 lb	\$222.00
50 kg	91730	2 lb	\$222.00
75 kg	91731	2 lb	\$222.00
100 kg	91732	2 lb	\$222.00

Dimensions

Rated Capacity	A	B	C	D	E	F	G	H	I
kg/mm									
5 to 100	150.3	25.4	39.9	19.1	19.1	19.1	33.8	99.6	11.4



Interchangeable Products

HBK®
SP4M

Specifications

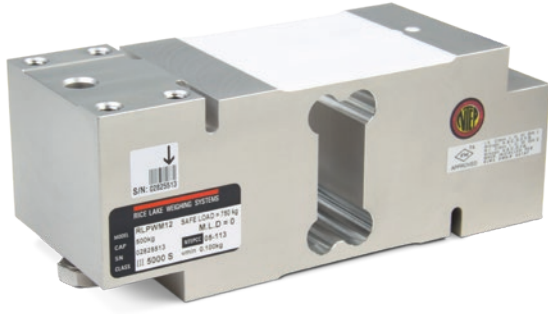
- Full Scale Output:** 2.0 mV/V
- Output Resistance:** 350 (± 3) ohm
- Input Resistance:** 350 ohm
- Material/Finish:** Anodized aluminum
- Temperature:** Compensated range 14 °F to 104 °F (-10 °C to 40 °C)
Operating range 0 °F to 150 °F (-18 °C to 65 °C)
- Seal Type:** Environmentally sealed, IP66
- Safe Overload:** 150% full scale
- Rated Excitation:** 5 to 10 VDC (15 V maximum)
- Combined Error:** 0.02% full scale
- Insulation Resistance:** 5,000 megohm
- Deflection at Capacity:** 0.4 mm
- Cable Length:** 10 ft
- Cable Diameter:** 0.19 in PVC jacket
- Cable Color Code:** Green +Excitation
Black -Excitation
Red +Signal
White -Signal
Blue +Sense
Brown -Sense
Yellow Shield
- Max Platform Size:** 5 to 10 kg: 12 × 12 in
15 to 30 kg: 18 × 18 in
50 to 100 kg: 24 × 24 in
- Warranty:** Two-year limited
- Approvals:** FM
NTEP 05-114

Limited Stock Available

SINGLE POINT
RLPWM12

Aluminum, Environmentally Sealed, NTEP Certified 1:5,000 Class III Single Cell, IP67

LOAD CELLS / WEIGH MODULES



Picture is a representation of actual product.

Approvals

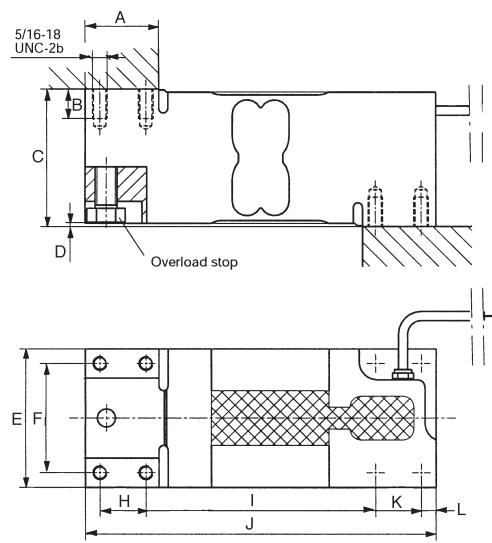


Order Information

Load Rating	Part #	Est. Weight	Price
500 kg	91681	6 lb	\$334.00
1,000 kg	91683	6 lb	\$334.00

Dimensions

Rated Capacity	A	B	C	D	E	F	H	I	J	K	L
kg/mm											
500 to 1,000	40.0	16.0	75.0	1.5	76.0	60.0	25.0	125.0	191.0	25.0	8.0



Interchangeable Products
VPG® TEDEA-HUNTLEIGH
1250

Specifications

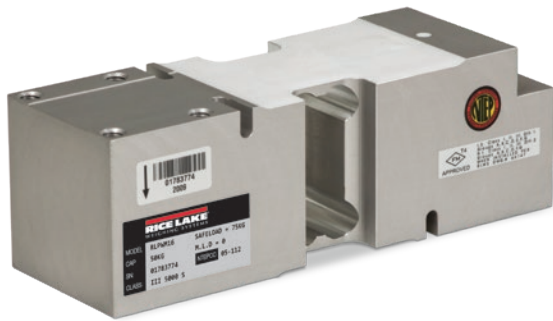
- Full Scale Output:**
2.0 mV/V
- Output Resistance:**
330 to 450 ohm, nominal
- Input Resistance:**
300 to 500 ohm
- Material/Finish:**
Aluminum
- Temperature:**
Compensated range
14 °F to 104 °F (-10 °C to 40 °C)
Operating range
0 °F to 150 °F (-18 °C to 65 °C)
- Seal Type:**
Environmentally sealed, IP67
- Safe Overload:**
150% full scale
- Rated Excitation:**
5 to 10 VDC (15 V maximum)
- Combined Error:**
0.02% full scale
- Insulation Resistance:**
1,000 megohm
- Cable Length:**
10 ft
- Cable Diameter:**
0.190 in PVC jacket
- Cable Color Code:**
Green +Excitation
Black -Excitation
Red +Signal
White -Signal
Blue +Sense
Brown -Sense
- Warranty:**
Two-year limited
- Max Platform Size:**
30 x 30 in
- Approvals:**
FM
NTEP 05-113

RLPWM16

Aluminum, Environmentally Sealed, NTEP Certified 1:5,000 Class III Single Cell, IP67

Limited Stock Available

LOAD CELLS / WEIGH MODULES



Picture is a representation of actual product.

Approvals

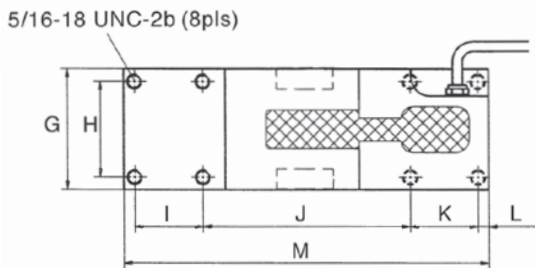
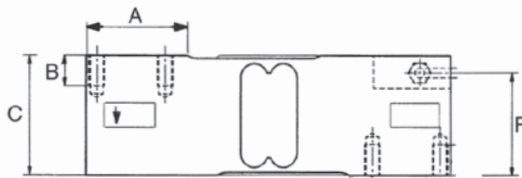


Order Information

Load Rating	Part #	Est. Weight	Price
75 kg	91686	5 lb	\$313.00

Dimensions

Rated Capacity	A	B	C	F	G	H	I	J	K	L	M
kg/mm											
75 to 150	52.0	16.0	62.3	52.3	63.0	50.0	35.0	107.0	35.0	5.5	188.0



Interchangeable Products

RICE LAKE WEIGHING SYSTEMS
RL1260
 VPG® TEDEA-HUNTLEIGH
1260

Specifications

- Full Scale Output:**
2.0 mV/V
- Output Resistance:**
300 to 500 ohm
- Input Resistance:**
300 to 500 ohm
- Material/Finish:**
Aluminum
- Temperature:**
Compensated range
14 °F to 104 °F (-10 °C to 40 °C)
Operating range
0 °F to 150 °F (-18 °C to 65 °C)
- Seal Type:**
Environmentally sealed, IP67
- Safe Overload:**
150% full scale
- Rated Excitation:**
5 to 10 VDC (15 V maximum)
- Combined Error:**
0.02% full scale
- Insulation Resistance:**
1,000 megohm
- Cable Length:**
10 ft
- Cable Diameter:**
0.190 in PVC jacket
- Max Platform Size:**
24 × 24 in
- Deflection at Capacity**
50 to 635 kg < 0.6 mm
- Cable Color Code:**
Green +Excitation
Black -Excitation
Red +Signal
White -Signal
Blue +Sense
Brown -Sense
- Warranty:**
Two-year limited
- Approvals:**
FM
NTEP 05-112

Limited Stock Available

SINGLE POINT
RL1042

Aluminum, Environmentally Sealed, NTEP Certified 1:5,000 Class III Single Cell, IP66



Picture is a representation of actual product.

Approvals

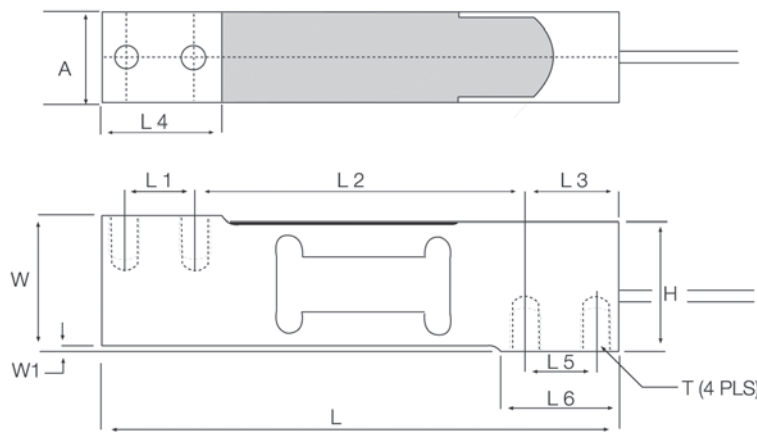


Order Information

Load Rating	Part #	Est. Weight	Price
1 kg	40955	1 lb	\$190.00
20 kg	40960	1 lb	\$190.00

Dimensions

Rated Capacity	A	H	L	L1	L2	L3	L4	L5	L6	W	W1	T
kg/mm												
1 to 20	20.0	39.0	150.0	19.0	100.0	25.0	34.0	19.0	34.0	40.0	1.0	1/4-20 UNC



Interchangeable Products

RICE LAKE WEIGHING SYSTEMS

RLSP4

VPG® TEDEA-HUNTLEIGH

1042

HBK®

SP4M

FLINTEC

PC 42

Specifications

Full Scale Output:

2.0 mV/V

Output Resistance:

350 (± 3) ohm

Input Resistance:

415 (± 15) ohm

Material/Finish:

Aluminum

Temperature:

Compensated range

14 °F to 104 °F (-10 °C to 40 °C)

Operating range

0 °F to 150 °F (-18 °C to 65 °C)

Seal Type:

Environmentally sealed, IP66

Safe Overload:

150% full scale

Over-center loading point

Rated Excitation:

5 to 10 VDC (15 V maximum)

Combined Error:

0.02% full scale

Deflection at Capacity:

0.015 in

Insulation Resistance:

2,000 megohm

Cable Length:

10 ft

Cable Diameter:

0.200 in PVC jacket

Cable Color Code:

Green +Excitation

Black -Excitation

Red +Signal

White -Signal

Blue +Sense

Brown -Sense

Platform Size:

16 × 16 in

Warranty:

Two-year limited

Approvals:

FM

NTEP 97-138

LOAD CELLS /
WEIGH MODULES

SINGLE POINT
RL1040

Aluminum, NTEP Certified 1:5,000 Class III Single Cell, Potted and Unpotted, IP65/IP67

LOAD CELLS /
WEIGH MODULES



Picture is a representation of actual product.

Approvals

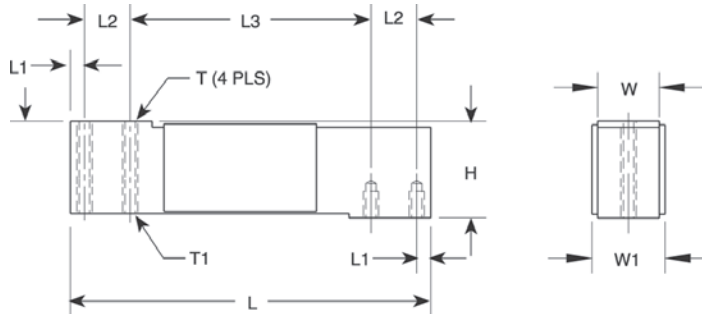


Order Information

Load Rating	Part #	Est. Weight	Price
Potted IP67			
7 kg	32860	2 lb	\$206.00
10 kg	32861	2 lb	\$206.00
15 kg	32862	2 lb	\$206.00
20 kg	32863	2 lb	\$206.00
30 kg	32864	2 lb	\$206.00
50 kg	32865	2 lb	\$206.00
100 kg	32866	2 lb	\$206.00
Unpotted IP65			
5 kg	32859	2 lb	\$206.00

Dimensions

Rated Capacity	H	L	L1	L2	L3	T	T1	W	W1
kg/mm									
5 to 100	40.0	150.0	5.95	19.1	100.0	1/4-20 UNC × 10 DP	1/4-28 UNF × 10 DP	25.4	29.4



Interchangeable Products

VPG® TEDEA-HUNTLEIGH
1040
CARDINAL
TSP

Specifications

- Full Scale Output:**
2.0 mV/V
- Output Resistance:**
350 (± 3) ohm
- Input Resistance:**
415 (± 5) ohm
- Material/Finish:**
Anodized aluminum
- Temperature:**
Compensated range
14 °F to 104 °F (-10 °C to 40 °C)
Operating range
0 °F to 150 °F (-18 °C to 65 °C)
- Seal Type:**
Potted, IP67
Unpotted, IP65
- Safe Overload:**
200% at center loading point, full scale
- Rated Excitation:**
5 to 10 VDC (15 V maximum)
- Combined Error:**
0.02% full scale
- Insulation Resistance:**
2,000 megohm
- Deflection at Capacity:**
0.4 mm
- Cable Length:**
10 ft
- Cable Diameter:**
0.200 in PVC jacket
- Cable Color Code:**
Green +Excitation
Black -Excitation
Red +Signal
White -Signal
Blue +Sense
Brown -Sense
- Max Platform Size:**
15.75 × 15.75 in
- Warranty:**
Two-year limited
- Approvals:**
cFMus
NTEP 95-074



Picture is a representation of actual product.

Approvals

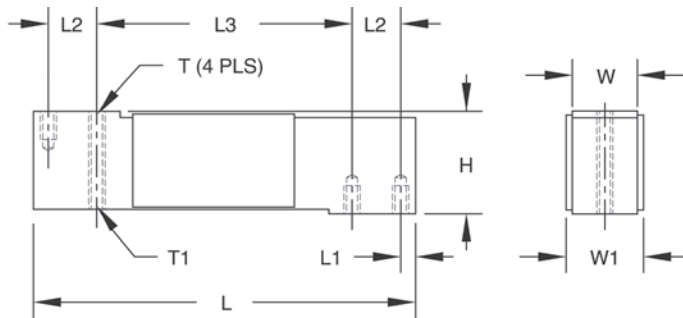


Order Information

Load Rating	Part #	Est. Weight	Price
15 kg	17544	3 lb	\$339.00
30 kg	17545	3 lb	\$339.00
50 kg	17546	3 lb	\$339.00
75 kg	17547	3 lb	\$339.00
100 kg	17548	3 lb	\$339.00
150 kg	36467	3 lb	\$339.00

Dimensions

Rated Capacity	H	L	L1	L2	L3	T	T1	W	W1
kg/mm									
15 to 150	40.0	150.0	6.0	19.1	100.0	1/4-20 UNC x 10 DP	1/4-28 UNF x 10 DP	25.4	29.4



Interchangeable Products

VPG® TEDEA-HUNTLEIGH
1140

Specifications

- Full Scale Output:**
2.0 mV/V
- Output Resistance:**
350 (± 3) ohm, nominal
- Input Resistance:**
415 (± 15) ohm
- Material/Finish:**
Stainless steel
- Temperature:**
Operating range
0 ° F to 150 ° F (-18 ° C to 65 ° C)
- Seal Type:**
Environmentally sealed, IP67
- Safe Overload:**
200% at center loading point, full scale
- Rated Excitation:**
5 to 10 VDC (15 V maximum)
- Combined Error:**
0.02% full scale
- Insulation Resistance:**
2,000 megohm
- Deflection at Capacity:**
0.4 mm
- Cable Length:**
10 ft
- Cable Diameter:**
0.200 in PVC jacket
- Cable Color Code:**
Green +Excitation
Black -Excitation
Red +Signal
White -Signal
Blue +Sense
Brown -Sense
- Max Platform Size:**
15.75 x 15.75 in
- Warranty:**
Two-year limited
- Approvals:**
cFMus

LOAD CELLS / WEIGH MODULES

SINGLE POINT
RL1380

Stainless Steel, Environmentally Sealed, NTEP Certified 1:3,000 Class III Single Cell, IP67

LOAD CELLS /
WEIGH MODULES



Picture is a representation of actual product.

Approvals

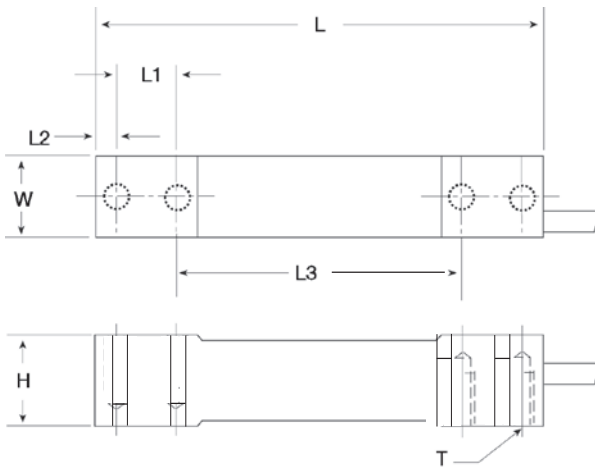


Order Information

Load Rating	Part #	Est. Weight	Price
7 kg	30783	2 lb	\$344.50
10 kg	30782	2 lb	\$344.50
15 kg	30781	2 lb	\$344.50
30 kg	30780	2 lb	\$344.50
60 kg	30779	2 lb	\$344.50

Dimensions

Rated Capacity	W	L	L1	L2	L3	T	H
kg/mm							
7 to 15	19.1	139.7	19.1	6.4	88.9	1/4-20 UNC	30.2
30 to 60	23.9	139.7	19.1	6.4	88.9	1/4-20 UNC	30.2



Interchangeable Products

HBK®
PWS

Specifications

- Full Scale Output:**
2.0 mV/V
- Output Resistance:**
359 (± 10) ohm
- Input Resistance:**
390 (± 15) ohm
- Material/Finish:**
Stainless steel
- Temperature:**
Compensated range
14 °F to 104 °F (-10 °C to 40 °C)
Operating range
0 °F to 150 °F (-18 °C to 65 °C)
- Seal Type:**
Environmentally sealed, IP67
- Safe Overload:**
150% full scale
- Rated Excitation:**
5 to 10 VDC (15 V maximum)
- Combined Error:**
0.03% full scale
- Insulation Resistance:**
5,000 megohm
- Cable Length:**
10 ft
- Cable Diameter:**
0.190 in polyurethane jacket
- Deflection:**
< 0.4 mm full scale
- Max Platform Size:**
15.75 × 15.75 in
- Cable Color Code:**
Green +Excitation
Black -Excitation
White +Signal
Red -Signal
Yellow Shield
- Warranty:**
Two-year limited
- Approvals:**
FM
NTEP 94-128



Picture is a representation of actual product.

Approvals

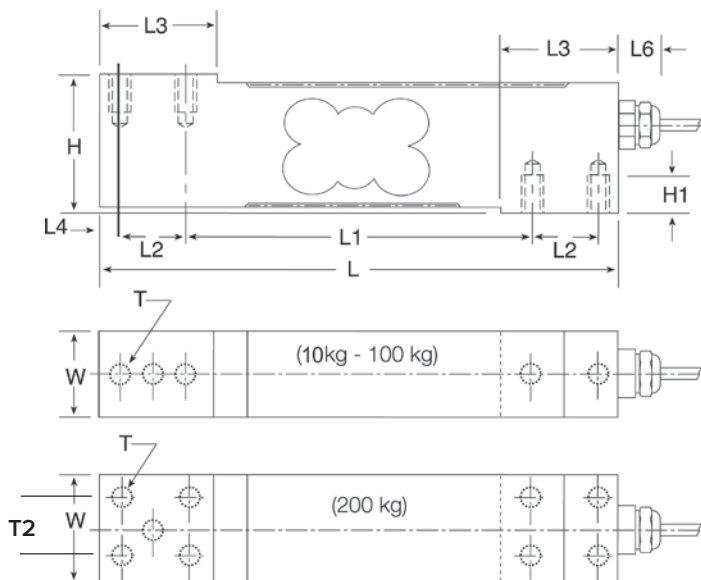


Order Information

Load Rating	Part #	Est. Weight	Price
NTEP Certified			
10 kg	41405	3 lb	\$328.00
15 kg	41233	3 lb	\$328.00
30 kg	41234	3 lb	\$328.00
50 kg	41235	3 lb	\$328.00
75 kg	41236	3 lb	\$328.00
Non-NTEP Certified			
100 kg	41237	3 lb	\$310.00
200 kg	41406	4 lb	\$477.00

Dimensions

Rated Capacity	H	H1	L	L1	L2	L3	L4	L6	W	T	T2
kg/mm											
10 to 100	40.0	10.0	150.0	100.0	19.0	32.0	6.0	20.0	25.4	1/4-20 UNC x 19.1 DP	N/A
200	40.0	10.0	150.0	100.0	19.0	32.0	6.0	20.0	38.1	1/4-20 UNC x 19.1 DP	25.4



Interchangeable Products

FLINTEC
PC1

Specifications

- Full Scale Output:**
2.0 mV/V
- Output Resistance:**
330 (± 25) ohm
- Input Resistance:**
390 (± 20) ohm
- Material/Finish:**
Stainless steel
- Temperature:**
Operating range
0 °F to 150 °F (-18 °C to 65 °C)
- Seal Type:**
Environmentally sealed, IP67
- Safe Overload:**
200% full scale
- Rated Excitation:**
5 VDC (15 V maximum)
- Combined Error:**
0.02% full scale
- Insulation Resistance:**
5,000 megohm
- Cable Length:**
10 ft
- Cable Diameter:**
0.196 in polyurethane jacket
- Max Platform Size:**
18 × 18 in
- Cable Color Code:**
Green +Excitation
Black -Excitation
White +Signal
Red -Signal
Yellow Shield
- Warranty:**
Two-year limited
- Approvals:**
FM
NTEP 00-125

SINGLE POINT
RL1260

Aluminum, Environmentally Sealed, NTEP Certified 1:5,000 Class III Single Cell, IP67

Limited Stock Available

LOAD CELLS /
WEIGH MODULES



Picture is a representation of actual product.

Approvals

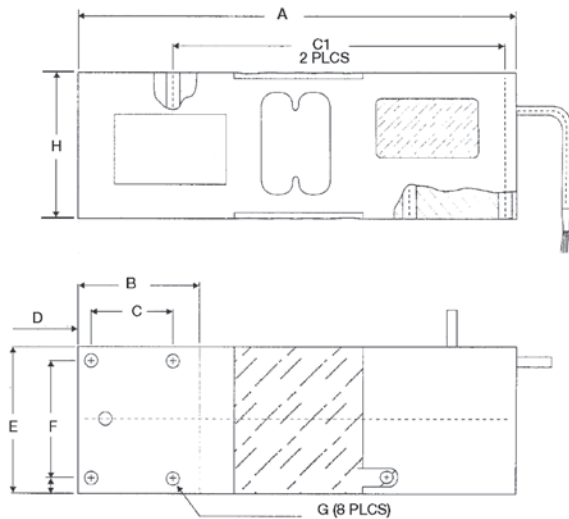


Order Information

Load Rating	Part #	Est. Weight	Price
75 kg	41021	5 lb	\$328.00
300 kg	41025	5 lb	\$328.00

Dimensions

Rated Capacity	A	B	C	C1	D	E	F	G	H
kg/mm									
75 and 300	188.0	52.0	35.0	142.0	5.5	63.5	50.0	5/16-18UNC	62.3



Interchangeable Products

RICE LAKE WEIGHING SYSTEMS
RLPWM16

RICE LAKE WEIGHING SYSTEMS
RL26018A

VPG® TEDEA-HUNTLEIGH
1260

Specifications

- Full Scale Output:**
2.0 mV/V
- Output Resistance:**
350 (± 3) ohm
- Input Resistance:**
415 (± 15) ohm
- Material/Finish:**
Anodized aluminum
- Temperature:**
Compensated range
14 °F to 104 °F (-10 °C to 40 °C)
Operating range
0 °F to 150 °F (-18 °C to 65 °C)
- Seal Type:**
Environmentally sealed, IP67
- Safe Overload:**
150% of full scale at center loading point
- Rated Excitation:**
5 to 10 VDC (15 V maximum)
- Combined Error:**
0.02% full scale
- Insulation Resistance:**
5,000 megohm
- Cable Length:**
10 ft
- Cable Diameter:**
0.220 in polyurethane jacket
- Max Platform Size:**
24 × 24 in
- Cable Color Code:**
Green +Excitation
Black –Excitation
Red +Signal
White –Signal
Blue +Sense
Brown –Sense
- Warranty:**
Two-year limited
- Approvals:**
cFMus
NTEP 97-139



Breathing Tube

Picture is a representation of actual product.

Approvals

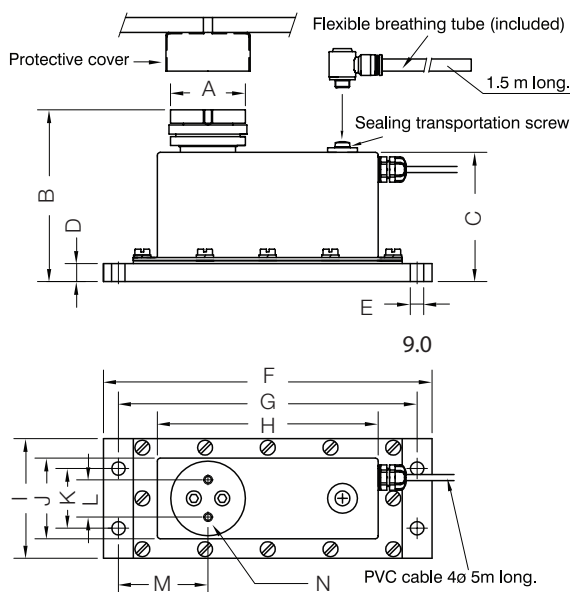


Order Information

Load Rating	Part #	Est. Weight	Price
2 kg	194928	8 lb	\$710.00
3 kg	199001	8 lb	\$710.00
5 kg	194929	8 lb	\$710.00
7 kg	194930	8 lb	\$710.00
10 kg	194932	8 lb	\$710.00
15 kg	194933	8 lb	\$710.00
20 kg	194934	8 lb	\$710.00
30 kg	194935	8 lb	\$710.00
50 kg	194936	16 lb	\$710.00

Dimensions

Rated Capacity	A	B	C	D	E	F	G	H	I	J	K	L	M	N
kg/mm														
2 to 50	50 dia	115.0	86.5	12.0	9.0	220.0	200.0	148.0	80.0	54.0	40.0	25.0	60.0	1/4-20 UNC



Interchangeable Products

VPG® TEDEA-HUNTLEIGH
240*
*5000d NTEP, 10ft cable

Specifications

Full Scale Output:
2.0 mV/V

Output Resistance:
350 (± 3) ohm

Input Resistance:
400 (± 20) ohm

Material/Finish:
Stainless steel

Temperature:
Compensated range
14 °F to 104 °F (-10 °C to 40 °C)
Operating range
0 °F to 150 °F (-18 °C to 65 °C)

Seal Type:
Environmentally sealed, IP68

Safe Overload:
200% of full scale

Rated Excitation:
5 to 10 VDC

Combined Error:
0.017% full scale

Insulation Resistance:
> 5,000 megohm

Cable Length:
5 m

Cable Color Code:
Green +Excitation
Black -Excitation
Red +Signal
White -Signal
Blue +Sense
Yellow -Sense

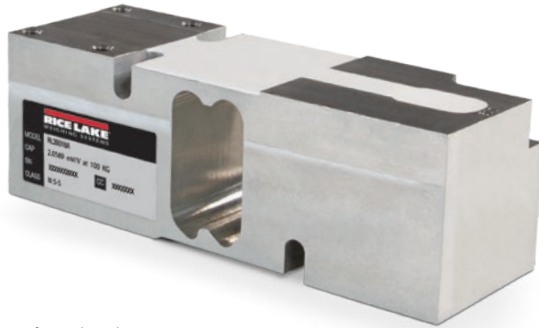
Warranty:
Two-year limited

Approvals:
NTEP 20-045
cFMus

RL26018A

Aluminum, Environmentally Sealed, NTEP Certified 1:5,000 Class III Single Cell, IP67

LOAD CELLS /
WEIGH MODULES



Picture is a representation of actual product.

Approvals

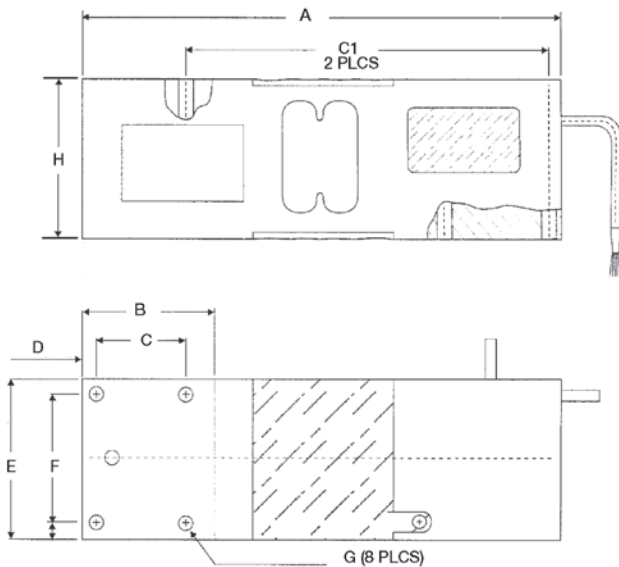


Order Information

Load Rating	Part #	Est. Weight	Price
50 kg	188682	5 lb	\$290.00
75 kg	188683	5 lb	\$290.00
100 kg	188684	5 lb	\$290.00
150 kg	188685	5 lb	\$290.00
200 kg	188686	5 lb	\$290.00
250 kg	188687	5 lb	\$290.00
300 kg	188688	5 lb	\$290.00
500 kg	188689	5 lb	\$290.00
635 kg	188690	5 lb	\$290.00

Dimensions

Rated Capacity	A	B	C	C1	D	E	F	G	H
kg/mm									
50 to 635	188.0	52.0	35.0	142.0	5.5	63.5	50.0	5/16-18 UNC	62.3



Interchangeable Products

RICE LAKE WEIGHING SYSTEMS

RL1260

RICE LAKE WEIGHING SYSTEMS

RLPWM16

VPG® TEDEA-HUNTLEIGH®

1260

Specifications

Full Scale Output:

2.0 mV/V nominal

Output Resistance:

350 (± 3) ohm

Input Resistance:

415 (± 15) ohm

Material/Finish:

Anodized aluminum

Temperature:

Compensated range

14 °F to 104 °F (-10 °C to 40 °C)

Operating range

0 °F to 150 °F (-18 °C to 65 °C)

Seal Type:

Environmentally sealed, IP67

Safe Overload:

150% of full scale

Rated Excitation:

5 to 10 VDC (15 V maximum)

Insulation Resistance:

> 5,000 megohm

Combined Error:

0.02% full scale

Deflection:

0.3 to 0.5 mm

Cable Length:

10 ft

Cable Color Code:

Green +Excitation

Black -Excitation

Red +Signal

White -Signal

Blue +Sense

Yellow -Sense

Warranty:

Two-year limited

Approvals:

cFMus

NTEP 18-108



Picture is a representation of actual product.

Approvals

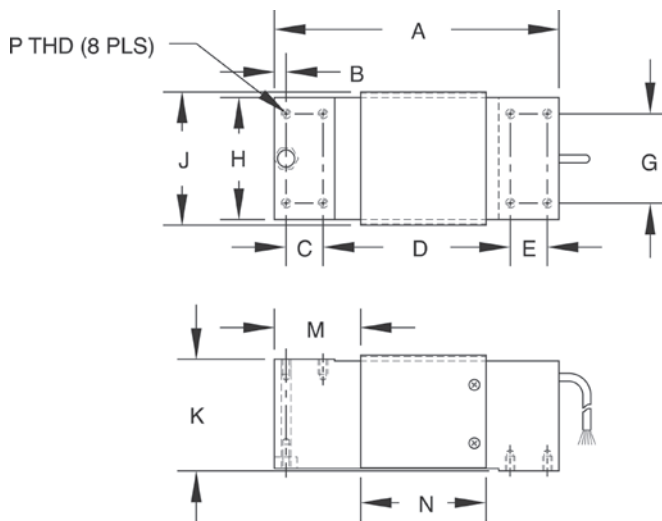


Order Information

Load Rating	Part #	Est. Weight	Price
50 kg	191096	5 lb	\$328.00
75 kg	191097	5 lb	\$328.00
100 kg	191098	5 lb	\$328.00
150 kg	191099	5 lb	\$328.00
200 kg	191100	5 lb	\$328.00
250 kg	191101	5 lb	\$328.00
300 kg	191102	5 lb	\$328.00
500 kg	191103	5 lb	\$328.00
635 kg	191104	5 lb	\$328.00
1,000 kg	191105	5 lb	\$328.00

Dimensions

Rated Capacity	A	B	C	D	E	G	H	J	K	M	N	P
kg/mm												
50 to 1,000	191.0	8.0	25.0	125.0	25.0	60.0	75.0	82.0	75.0	57.5	85.0	5/16-18 UNC x 15 DP



Interchangeable Products

RICE LAKE WEIGHING SYSTEMS
RLPWM12
VPG® TEDEA-HUNTLEIGH®
1250

Specifications

Full Scale Output:
2.0 mV/V nominal

Output Resistance:
350 (± 3) ohm

Input Resistance:
415 (± 15) ohm

Material/Finish:
Anodized aluminum

Temperature:
Compensated range
14 °F to 104 °F (-10 °C to 40 °C)
Operating range
0 °F to 150 °F (-18 °C to 65 °C)

Seal Type:
Environmentally sealed, IP67

Safe Overload:
150% full scale

Rated Excitation:
5-10 VDC (15 V maximum)

Insulation Resistance:
> 5,000 megohm

Combined Error:
0.02% full scale

Deflection:
0.4 mm

Max Platform Size:
50 to 500 kg: 800 × 800 mm
635 to 1,000 kg: 600 × 600 mm

Cable Length:
10 ft

Cable Color Code:
Green +Excitation
Black -Excitation
Red +Signal
White -Signal
Blue +Sense
Yellow -Sense

Warranty:
Two-year limited

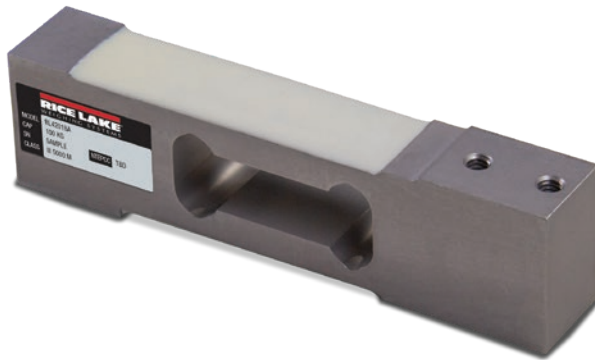
Approvals:
cFMus
NTEP 18-133

LOAD CELLS /
WEIGH MODULES

RL42018A

Aluminum, Environmentally Sealed, NTEP Certified 1:5,000 Class III Single Cell, IP66

LOAD CELLS / WEIGH MODULES



Picture is a representation of actual product.

Approvals

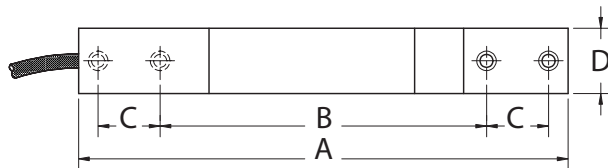
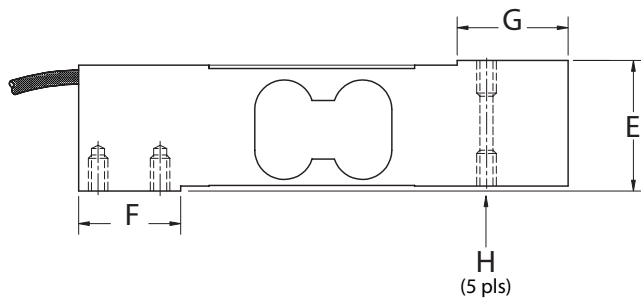


Order Information

Load Rating	Part #	Est. Weight	Price
3 kg	188672	2 lb	\$190.00
5 kg	188673	2 lb	\$190.00
7 kg	188674	2 lb	\$190.00
10 kg	188675	2 lb	\$190.00
15 kg	188676	2 lb	\$190.00
20 kg	188677	2 lb	\$190.00
30 kg	188678	2 lb	\$190.00
50 kg	188679	2 lb	\$190.00
75 kg	188680	2 lb	\$190.00
100 kg	188681	2 lb	\$190.00

Dimensions

Rated Capacity	A	B	C	D	E	F	G	H
kg/mm								
3 to 30	150.0	100.0	19.0	20.0	40.0	31.2	34.0	1/4-20 UNC
50 to 100	150.0	100.0	19.0	25.4	40.0	31.2	34.0	1/4-20 UNC



Interchangeable Products

RICE LAKE WEIGHING SYSTEMS

RL1042

RICE LAKE WEIGHING SYSTEMS

RLSP4

VPG® TEDEA-HUNTLEIGH®

1042

HBK®

SP4M*

*Color code is different

Specifications

Full Scale Output:

2.0 mV/V ± 10%

Output Resistance:

350 (± 3) ohm

Input Resistance:

400 (± 20) ohm

Material/Finish:

Aluminum

Temperature:

Compensated range
14 °F to 104 °F/-10 °C to 40 °C

Operating range
0 °F to 150 °F/-18 °C to 65 °C

Seal Type:

Environmentally sealed, IP66

Safe Overload:

150% of full scale at center loading point

Rated Excitation:

10 VDC

Combined Error:

0.02% full scale

Insulation Resistance:

> 5,000 megohm

Deflection:

0.3 to 0.5 mm

Cable Length:

10 ft

Cable Color Code:

Green +Excitation
Black -Excitation
Red +Signal
White -Signal
Blue +Sense
Yellow -Sense

Platform Size:

15.75 × 15.75 in max

Warranty:

Two-year limited

Approvals:

cFMus
NTEP 18-105



Picture is a representation of actual product.

Interchangeable Products

AVERY WEIGH-TRONIX®
FLS

Specifications

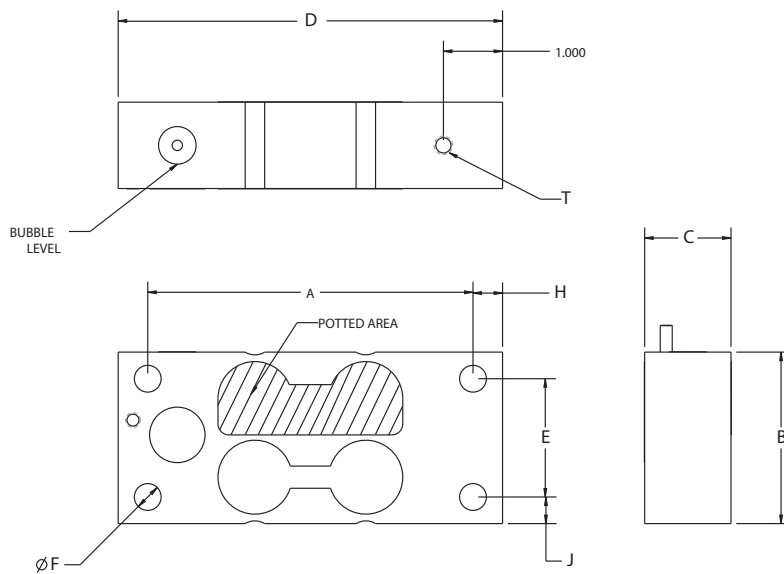
- Full Scale Output:**
1.0 (± 10%) mV/V
- Output Resistance:**
350 (± 3) ohm
- Input Resistance:**
385 (± 10) ohm
- Material/Finish:**
Stainless steel
- Temperature:**
Operating range
0 °F to 150 °F (-18 °C to 65 °C)
- Seal Type:**
Environmentally sealed, IP67
- Safe Overload:**
150% full scale
- Rated Excitation:**
5 to 15 VDC
- Hysteresis:**
0.02% full scale
- Non-Linearity:**
0.02% full scale
- Insulation Resistance:**
5,000 megohm
- Cable Length:**
10 ft
- Cable Color Code:**
Green +Excitation
Black -Excitation
Red +Signal
White -Signal
- Warranty:**
Two-year limited

Order Information

Load Rating	Part #	Est. Weight	Price
50 lb	125612	3 lb	\$650.00

Dimensions

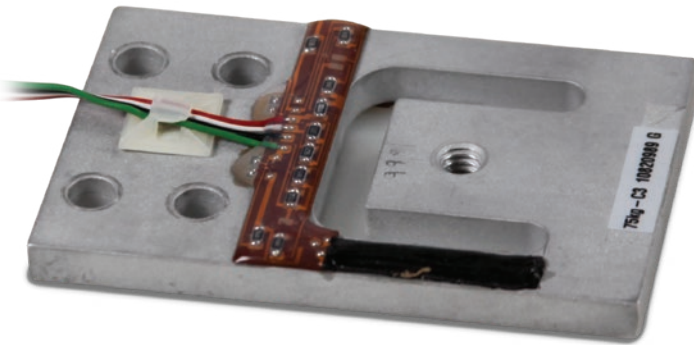
Rated Capacity	A	B	C	D	E	F	H	J	T
50 lb/in	5.50	2.90	0.74	6.50	2.00	0.50	0.50	0.45	5/16-18 UNC x 0.50



RLBLP

Aluminum, Environmentally Sealed, IP65

LOAD CELLS /
WEIGH MODULES



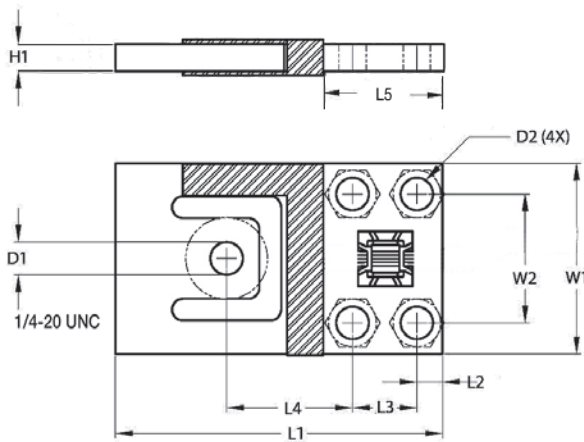
Picture is a representation of actual product.

Order Information

Load Rating	Part #	Est. Weight	Price
15 kg	100272	1 lb	\$87.00
37.5 kg	104645	1 lb	\$92.00
75 kg	100273	1 lb	\$97.00
150 kg	100274	1 lb	\$102.00

Dimensions

Rated Capacity	L1	L2	L3	L4	L5	W1	W2	H1	D1	D2
kg/mm										
15.0	70.0	4.9	14.0	28.0	23.7	39.0	27.8	4.1	7.6	5.1
37.5	76.2	6.0	15.0	29.3	27.0	44.5	30.0	4.8	7.6	6.6
75.0	84.4	6.4	15.0	34.0	27.7	54.8	30.0	6.4	7.6	6.6
150.0	107.3	7.8	22.9	45.9	38.4	69.9	44.5	7.9	9.1	8.1



Interchangeable Products

FLINTEC[®]
PB

Specifications

Full Scale Output:

1.0 mV/V

Output Resistance:

1,000 (± 10) ohm

Input Resistance:

1,180 (± 50) ohm

Material/Finish:

Aluminum

Temperature:

Operating range
0 °F to 150 °F (-18 °C to 65 °C)

Seal Type:

Environmentally sealed, IP65

Safe Overload:

150% full scale

Rated Excitation:

5 to 15 VDC

Combined Error:

0.05% full scale

Insulation Resistance:

5,000 megohm

Cable Length:

15 kg: 1.0 m
37.5 kg, 75 kg, 150 kg: 1.5 m

Cable Color Code:

Green +Excitation
Black -Excitation
White +Signal
Red -Signal

Warranty:

Two-year limited



Picture is a representation of actual product.

Specifications

- Full Scale Output:**
3.0 (± 0.1%) mV/V
- Bridge Resistance:**
350 ohm, nominal
- Material/Finish:**
Stainless steel
- Temperature:**
Operating range
0 °F to 150 °F (-18 °C to 65 °C)
- Seal Type:**
Environmentally sealed, IP67
- Safe Overload:**
150% full scale
- Rated Excitation:**
5 to 10 VDC (15 V maximum)
- Linearity:**
0.05% full scale
- Repeatability:**
0.03% full scale
- Insulation Resistance:**
5,000 megohm
- Cable Length:**
40 ft
- Cable Diameter:**
0.25 in
Polyurethane jacket with connector
- Cable Color Code:**
Green +Excitation
Black -Excitation
White +Signal
Red -Signal
- Warranty:**
Two-year limited

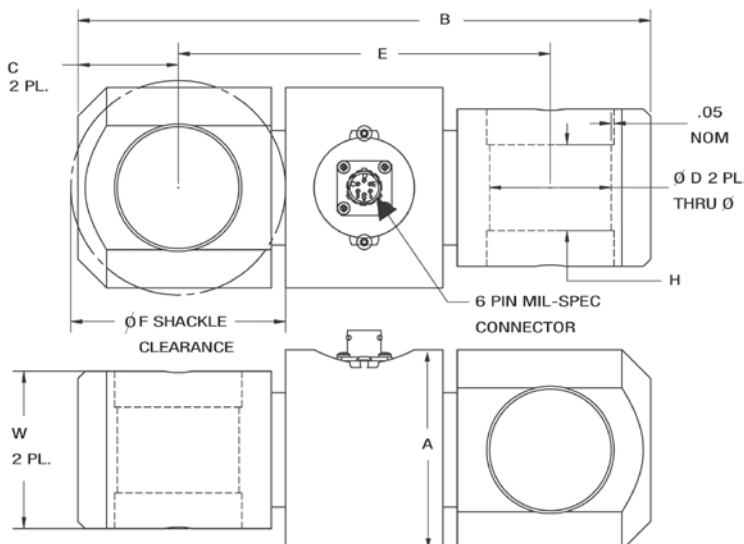
Order Information

Load Rating	Part #	Est. Weight	Price
5,000 lb	117731	5 lb	\$1,430.00
10,000 lb	117732	5 lb	\$1,430.00
25,000 lb	117733	8 lb	\$1,690.00
50,000 lb	117735	34 lb	\$2,915.00
75,000 lb	117736	34 lb	\$2,915.00
100,000 lb	117737	56 lb	\$3,127.00
150,000 lb	117738	56 lb	\$3,127.00
200,000 lb	117739	95 lb	\$5,565.00
250,000 lb	117740	117 lb	\$5,989.00
300,000 lb	117741	191 lb	\$8,427.00
500,000 lb	117742	191 lb	\$8,427.00
Replacement Parts			
40 ft load cell cable	187132		\$175.00

NOTE: Consult factory for shackles

Dimensions

Rated Capacity	A	B	C	ØD	E	ØF	W	H
5,000 to 10,000	2.00	6.50	1.00	1.05	4.50	2.38	1.37	0.75
25,000	2.75	8.00	1.38	1.55	5.25	2.88	2.00	1.00
50,000 to 75,000	3.25	14.00	2.50	2.31	9.00	5.00	3.00	1.75
100,000 to 150,000	4.00	16.00	2.88	2.88	10.25	6.25	4.00	2.00
200,000	6.00	18.00	3.25	3.38	11.50	6.50	4.75	2.38
250,000	6.50	20.00	3.75	3.88	12.50	7.50	5.00	2.75
300,000 to 500,000	7.50	24.00	4.50	4.31	15.00	9.50	5.40	3.00





Standard Features

- Designed and manufactured to each integrated solution. Machined from 17-4 stainless steel for safety, strength and corrosion resistance.
- (Contact MSI for application consultation)

For most overhead weighing applications, traditional scales are an ideal solution. However, applications with limited to no headroom require specialty equipment beyond even reduced-height or low-profile crane scales.

One such solution is an MSI load pin sensor. A load pin sensor is a type of load cell that directly replaces clevis, pivot, normal shaft or equalizer pins. Load pin sensors are designed to be permanently installed, so they can continuously monitor vertical or horizontal tension. An integrated load pin provides load monitoring and overload protection without impacting headroom to promote safety and to prevent costly equipment damage.

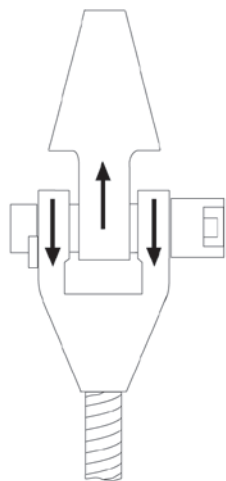
Rice Lake's industry leading engineers design and manufacture custom load pin sensors for any application. Every load pin is constructed from stainless steel for safety, strength (minimum 5:1) and corrosion resistance.

To receive a quote for a load pin sensor, complete the load pin questionnaire on the next page in this catalog or online at www.ricelake.com/questionnaires. For further assistance, contact an MSI overhead weighing specialist.

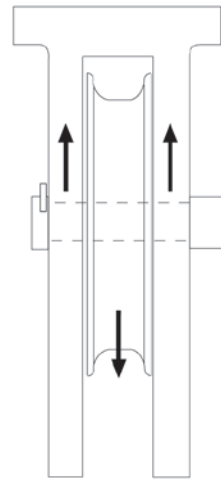
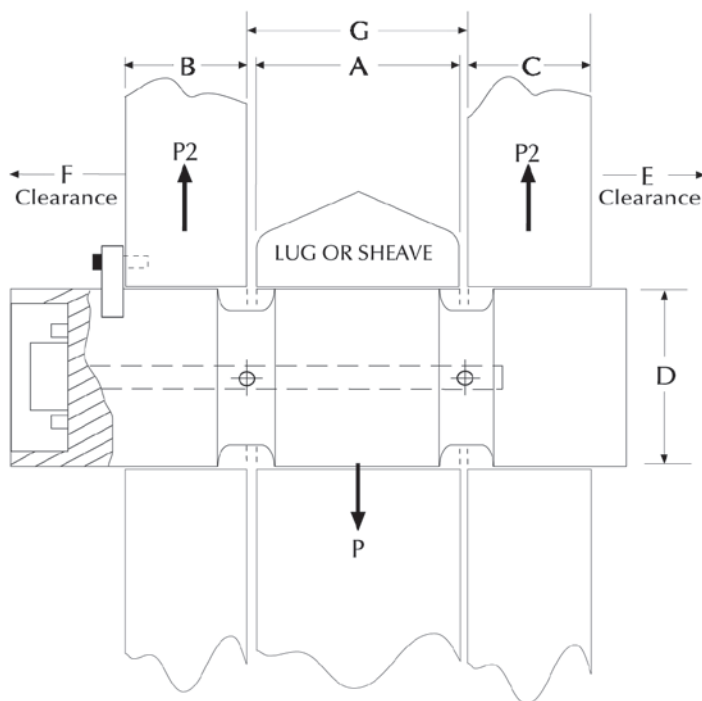
MSI Load Pin Questionnaire

LOAD CELLS / WEIGH MODULES

Load Pin Critical Dimensions



Standard Load Sensing Clevis Pin for Wire Rope Sockets Dead-Ends



Sheave/Pulley Load Pins Equalizer/Idler

Load Pin Data	
A=Width _____	Inch
B=Width _____	Inch
C=Width _____	Inch
D=Pin Diameter _____	Inch
E=Clearance _____	Inch
F=Clearance _____	Inch
G=Width _____	Inch
Lube Port <input type="checkbox"/> No <input type="checkbox"/> Yes _____	# of exits
Hoist Capacity _____	Tons
Parts of Wire Rope _____	
Sensor Capacity _____	Tons
Factor of Safety <input type="checkbox"/> 3:1 <input type="checkbox"/> 5:1 <input type="checkbox"/> 7:1 <input type="checkbox"/> 10:1	
Application _____	
Accuracy Requirement _____	
Temperature Requirement _____	
Required Output _____	
Material Testing Requirement _____	
Load Vector Orientation/Alignment <input type="checkbox"/> ← <input type="checkbox"/> → <input type="checkbox"/> ↓ <input type="checkbox"/> ↑	
Name _____	
Company _____	
Phone _____	
Note: Minimum clearance between "A" and "G" = 0.0625 inch.	

Cable Connections	
End-Mounted Cable	
End-Mounted Connector (standard)	
Side-Mounted Cable	
Side-Mounted Connector	
Recessed Connector	
Sensor's Cable Length _____	Feet
Comments _____	



230 W. Coleman St. • Rice Lake, WI 54868 • USA
 TEL: 800-874-4320 • FAX: 206-244-8470 • www.ricelake.com/msi

An ISO 9001 registered company © 2019 Rice Lake Weighing Systems PN 154086 1/19
 Specifications subject to change without notice.

MSI Tension Link

Load Cell

LOAD CELLS /
WEIGH MODULES



Standard Features

- Integrates between a crane block and lifting equipment to provide force measurement for lifted items. This ideal integration for cranes features a 7:1 safety factor for compliance with industrial and military safety requirements.

Options

(Contact MSI for application consultation)

- Crosby® top and bottom shackles

Specifications

Input Resistance:
1,500 ohm

Output Resistance:
2,000 ohm

Full Scale Output:
0.8 mV/V

Connector Pin Out:
A: EX +
B: Sig +
C: Sig -
D: EX -

Accuracy:
0.1% sensor accuracy

Material:
4340 steel

Part Number/Price

Part #	Description	Price
181907	2K 7200 style load cell only	Consult
181908	5K 7200 style load cell only	Consult
181909	10K 7200 style load cell only	Consult
178093	25K 7200 style load cell only	Consult
178094	50K 7200 style load cell only	Consult
181910	100K 7200 style load cell only	Consult

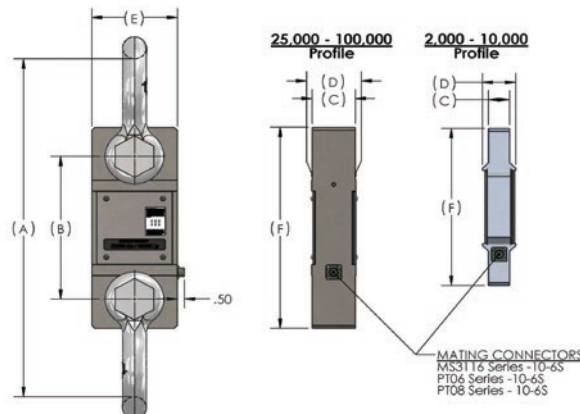
Contact factory for higher capacities

Options/Accessories

Part #	Description	Price
165978	Load cell to MSI-7001 interface cable, 6.5 ft	\$330.00
165979	Load cell to MSI-7001 interface cable, 10 ft	\$350.00
165990	Load cell to MSI-7001 interface cable, 25 ft	\$440.00
134505	Load cell mating cable to bare wires, 10 ft	\$185.00

Dimensions

Capacity (lbs)	P/N	Load Cell Material	(A) Headroom Loss	(B) C-C Length	(C) Lug Thk	(D) Body Thk	(E) Body Width	(F) Body Length	Lug Hole	Crosby Shackle
2,000	181907	Aluminum	13.50 in	8.00 in	0.99 in	2.13 in	4.50 in	9.75 in	0.78 in	3-1/4 T 151357
5,000	181908	Aluminum	13.50 in	8.00 in	0.99 in	2.13 in	4.50 in	9.75 in	0.78 in	3-1/7 T 151357
10,000	181909	Aluminum	16.13 in	8.50 in	1.35 in	2.13 in	5.37 in	10.75 in	1.05 in	6-1/2 T 151355
25,000	178093	Steel	22.39 in	9.26 in	2.24 in	2.24 in	4.80 in	12.76 in	1.67 in	17 T 141992
50,000	178094	Steel	25.74 in	9.76 in	2.74 in	2.81 in	5.43 in	13.76 in	2.05 in	25 T 151356
100,000	181910	Steel	28.49 in	10.74 in	3.09 in	3.09 in	6.86 in	15.74 in	2.30 in	55 T 146336



MSI Clamp-On

Load Cell

LOAD CELLS /
WEIGH MODULES



Standard Features

- A durable solution for measuring wire rope tension and preventing overloads for cranes and hoists. Available in two envelopes for accommodating the most common wire ropes. Weight-based setpoints can provide the operator alerts and safety shut-offs based on unsafe load conditions.

Options

(Contact MSI for application consultation)

- Custom sizes available on request
- Pair with an SCT transmitter for basic safety functions

Specifications

System Accuracy of Calibrated Capacity:
3 to 5%

Material:
4340 steel, zinc plated

Output Resistance:
350 ohm

IP Rating:
IP68

Cable Color Code:
Red +Excitation
Black -Excitation
Green +Signal
White -Signal

Cable Length:
20 ft integral cable with blunt end termination

Part Number/Price

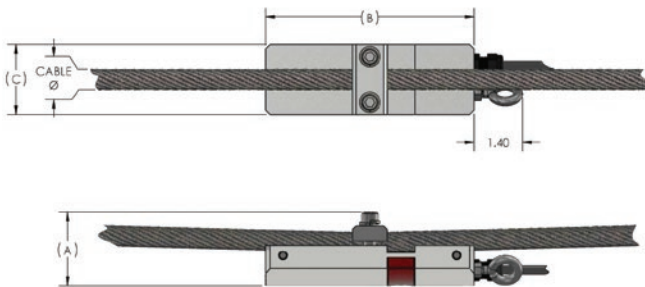
Part #	Description	Price
179080	Load Cell Assembly Clamp-On for 3/8 to 1/2 in wire rope	\$750.00
179082	Load Cell Assembly Clamp-On for 9/16 to 3/4 in wire rope	\$890.00
188816	Kit with SCT-2200 for 3/8 to 1/2 in wire rope	\$1,330.00
188817	Kit with SCT-2200 for 9/16 to 3/4 in wire rope	\$1,470.00

Larger diameter clamp ons available - call for pricing

Dimensions

Cable Range	Part #	A	B	C
3/8 to 1/2	179080	Cable + 1.70	6.00	2.00
9/16 to 3/4	179082	Cable + 1.67	6.00	2.00

*8mm cable can be used with PN 179080



Optional SCT-2200 transmitter

