

Ready-n-Weigh Bench Scale System

CW-90XB Bench Scale and 680 Indicator Package

BENCH SCALES



Approvals



Measurement
Canada
Approved



CW-90XB with 680 Package

Part #	Platform Capacity	Dimensions (L × W × H)	Est. Weight	Price
115-230 VAC, LED, Numeric, US Plug-Type B				
201409	5 lb (2.5 kg)	10 × 10 × 4.25 in	24 lb	Consult
201410	10 lb (5 kg)	10 × 10 × 4.25 in	24 lb	Consult
201411	25 lb (10 kg)	10 × 10 × 4.25 in	24 lb	Consult
201412	25 lb (10 kg)	12 × 12 × 4.25 in	27 lb	Consult
201413	50 lb (25 kg)	12 × 12 × 4.25 in	27 lb	Consult
201414	100 lb (50 kg)	12 × 12 × 4.25 in	27 lb	Consult
115-230 VAC, LED, Numeric, Euro Plug-Type E				
201415	5 lb (2.5 kg)	10 × 10 × 4.25 in	24 lb	Consult
201416	10 lb (5 kg)	10 × 10 × 4.25 in	24 lb	Consult
201417	25 lb (10 kg)	10 × 10 × 4.25 in	24 lb	Consult
201418	25 lb (10 kg)	12 × 12 × 4.25 in	27 lb	Consult
201419	50 lb (25 kg)	12 × 12 × 4.25 in	27 lb	Consult
201420	100 lb (50 kg)	12 × 12 × 4.25 in	27 lb	Consult



† US plug (NA) - Type B

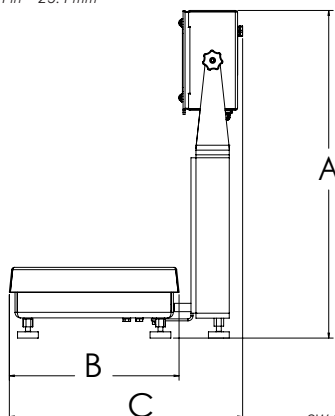


†† Euro Plug - Type E

Dimensions

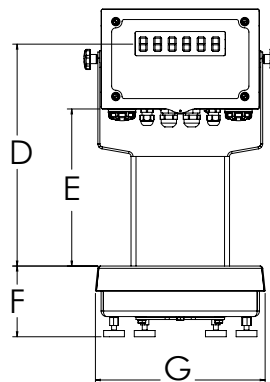
CW-90XB Bench Scale and 680 Indicator			
10 × 10 in			
A	19.56 in	E	9.31 in
B	10.25 in	F	4.25 in
C	15.83 in	G	10.25 in
D	13.31 in		

Note: 1 in = 25.4 mm



12 × 12 in			
A	19.56 in	E	9.31 in
B	12.25 in	F	4.25 in
C	16.83 in	G	12.25 in
D	13.31 in		

Note: 1 in = 25.4 mm



CW-90XB with 680 indicator

Standard Features

- Package includes scale with IP69K stainless steel hermetically sealed load cell with an indicator and 12-inch column
- Factory calibrated with indicator setup and configured for 5,000 divisions
- Scale includes rubber feet to provide exceptional traction and avoid scratching surfaces along with removable top cover for ease of cleaning
- AC power 100 to 240 VAC
- Full numeric keypad
- LED display suitable for a variety of environments
- Battery backed time and date
- Standard RS-232 serial ports for connecting to a variety of peripherals
- Ethernet TCP/IP

CW-90XB Specifications

Load Cell, NTEP Certified:

IP69K stainless steel and hermetically sealed

Scale Construction:

304 stainless steel

Maximum Overload:

180% to 200% depending on capacity

Overload Protection:

Five-point, independently adjusted

Scale Frame:

AISI304L, straight line finish, Ra= 45 +/- 10

Scale Cover:

AISI304L, straight line finish, Ra= 45 +/- 10

Cable Length:

34 in

Compensated Temperature Range:

14 °F to 104 °F (-10 °C to 40 °C)

Approvals:

NTEP CC 95-072, Class III 5,000 d

Measurement Canada AM-5082

Load cell is FM approved

Warranty:

Three-year limited (includes water ingress)

680 Specifications

Communication Ports:

Two RS-232 (three-wire)

RS-485/422 (two-wire or four-wire)

Micro USB (device)

Ethernet TCP/IP (10/100)

Display:

Seven 0.8-inch tall, seven-segment digits

Status Annunciators:

Eight LED annunciators

Keys/Buttons:

Flat membrane panel, tactile feel

(18 buttons plus ON/OFF)

Rating/Material:

Rating: IP69K (IP66 with RJ45)

Material: AISI 304 stainless steel

Approvals:

NTEP 19-021

Measurement Canada AM-6121C

cULus Listed

CE Marked

Warranty:

Two-year limited