

MSI-9300

Front Casting Assembly



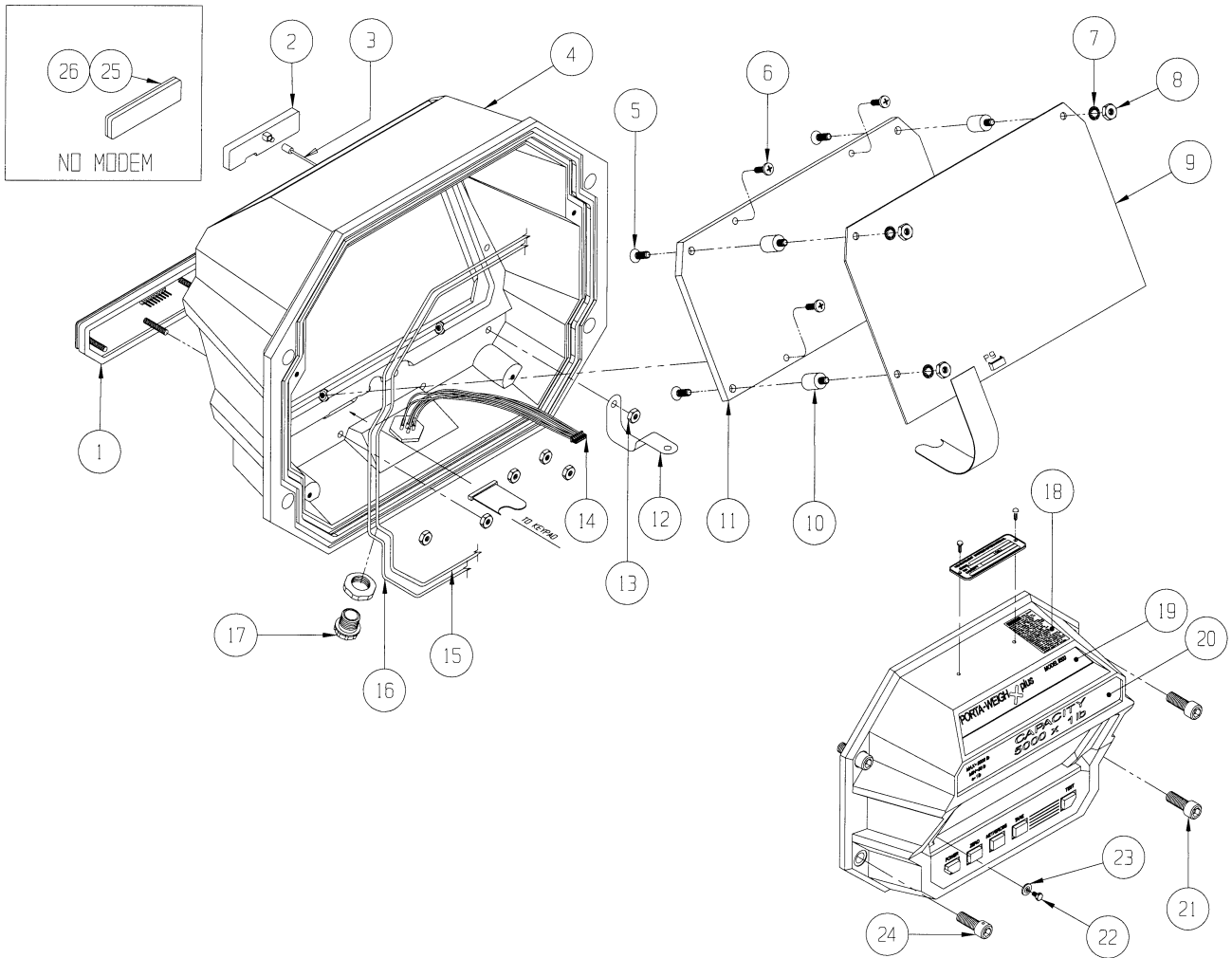
Part Number/Price

Item #	Part #	Description	Price
1	136324	Switch assembly	Consult
2	143454	Antenna housing with straight MMCX connector	Consult
3	148874	Cable assembly antenna	Consult
4	148824	Casting	Consult
5	54356	Screw, flat head, 8-32 x 3/8, Phillips, stainless steel	Consult
6	146604	Screw, pan head, 6-32 x 7/16, Phillips, stainless steel	Consult
7	15132	Washer internal tooth #8, stainless steel	Consult
8	65784	Nut, hex, 8-32, stainless steel	Consult
9	148700	PCA, LED display	Consult
10	142526	Shock mount flex, 8-32	Consult
11	148826	Window	Consult
12	139844	Ground strap	Consult
13	128445	Nut, hex, 6-32, stainless steel	Consult
14	148854	Cable assembly external comm	Consult
15	147997	O-ring, bulkhead	Consult
16	147996	O-ring, front/back	Consult
17	143352	Connector cap	Consult
18	148218	Label, warning	Consult
19	148867	Label, descriptive	Consult
20	Consult	Label, capacity	Consult
21	91869	Screw, socket head, 3/8-16 x 1, stainless steel	Consult
22	142574	Screw, pan head, 6-32 x 1/4, stainless steel	Consult
23	142299	Washer, seal	Consult
24	133598	Screw, 3/8-16 x 1, stainless steel, drilled	Consult
25	148902	Pad	Consult
26	148901	Filler plate	Consult

REPLACEMENT PARTS

MSI-9300

Front Casting Assembly



REPLACEMENT PARTS

MSI-9300

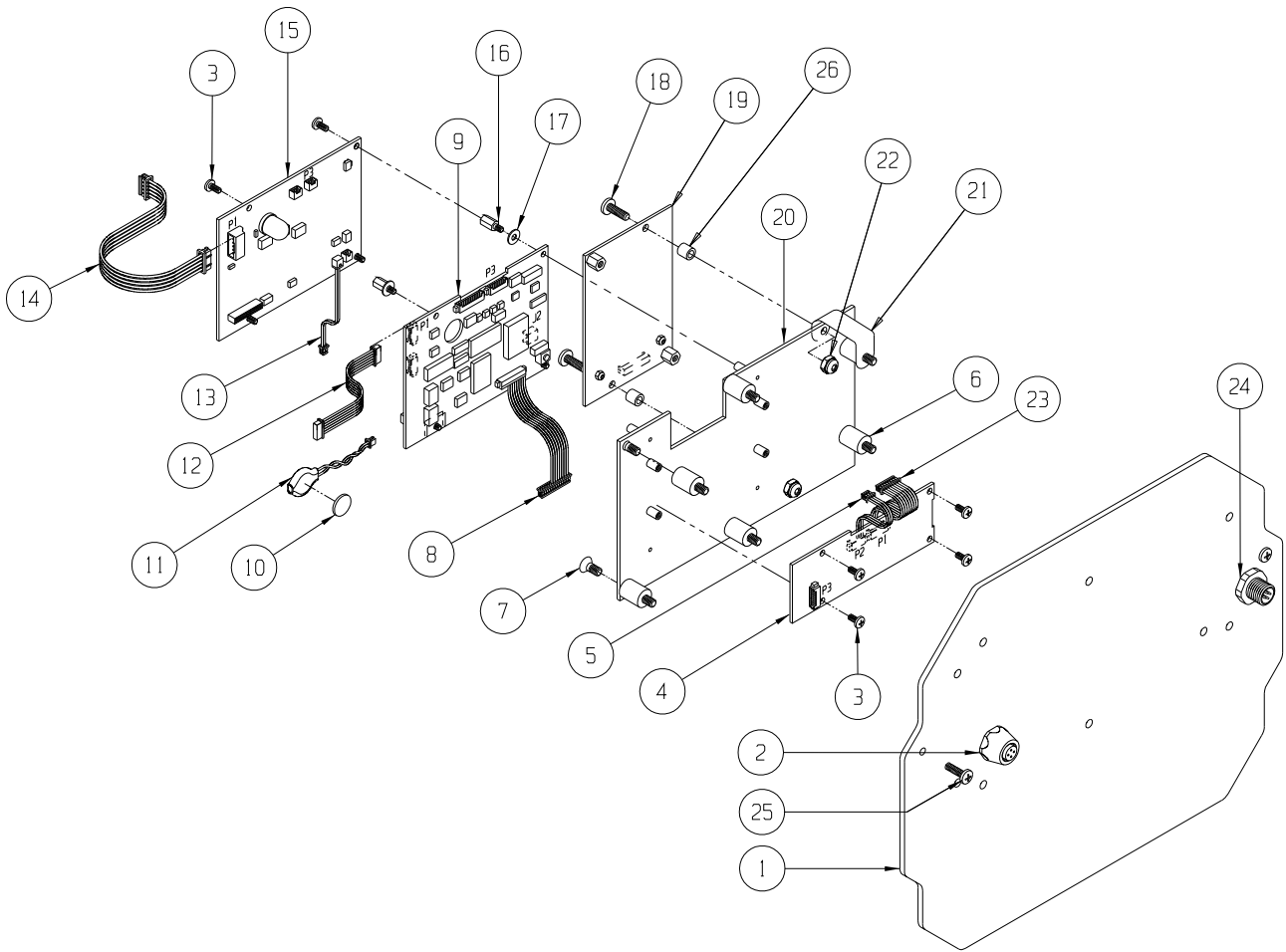
Series Bulkhead Assembly



Part Number/Price

Item #	Part #	Description	Price
1	149216	Bulkhead plate	Consult
2	148843	Cable assembly, load cell	Consult
3	128088	Screw, pan head, 4-40 × 1/4, Phillips, stainless steel	Consult
4	148548	PCA, high resolution A/D	Consult
5	148869	Cable assembly, A/D to power supply	Consult
6	142526	Shock mount	Consult
7	146567	Screw, flat head, 8-32 × 1/4, Phillips, stainless steel	Consult
8	149085	Cable assembly, controller to 2450 modem	Consult
9	148547	PCA, controller	Consult
10	148592	Pad adhesive, battery	Consult
11	137718	Battery assembly, 3V lithium	Consult
12	148852	Cable assembly, comm. internal	Consult
13	149320	Cable assembly, (Ethernet power)	Consult
14	148991	Cable assembly, electronics power	Consult
15	148982	PCA, power supply	Consult
16	143306	Standoff hex, .312 lg., 4-40 .188 M thd.	Consult
17	143384	Washer flat #4, stainless steel	Consult
18	146601	Screw, pan head, 6-32 × 1/4, Phillips, stainless steel	Consult
19	138304	PCA, with 2450 modem	Consult
20	148842	Bracket electronics front	Consult
21	139844	Ground strap	Consult
22	146627	Nut, hex, 6-32 nyloc, stainless steel	Consult
23	148612	Cable assembly, A/D, controller 8P	Consult
24	148856	Cable assembly, power battery	Consult
25	146604	Screw, 6-32 × 7/16, Phillips, stainless steel	Consult
26	144227	Spacer, 1/4 × 1/4, #6	Consult

REPLACEMENT PARTS



REPLACEMENT PARTS

MSI-9300

Mid-section Assembly 500 - 10,000 lb (S-beam Load Cell)



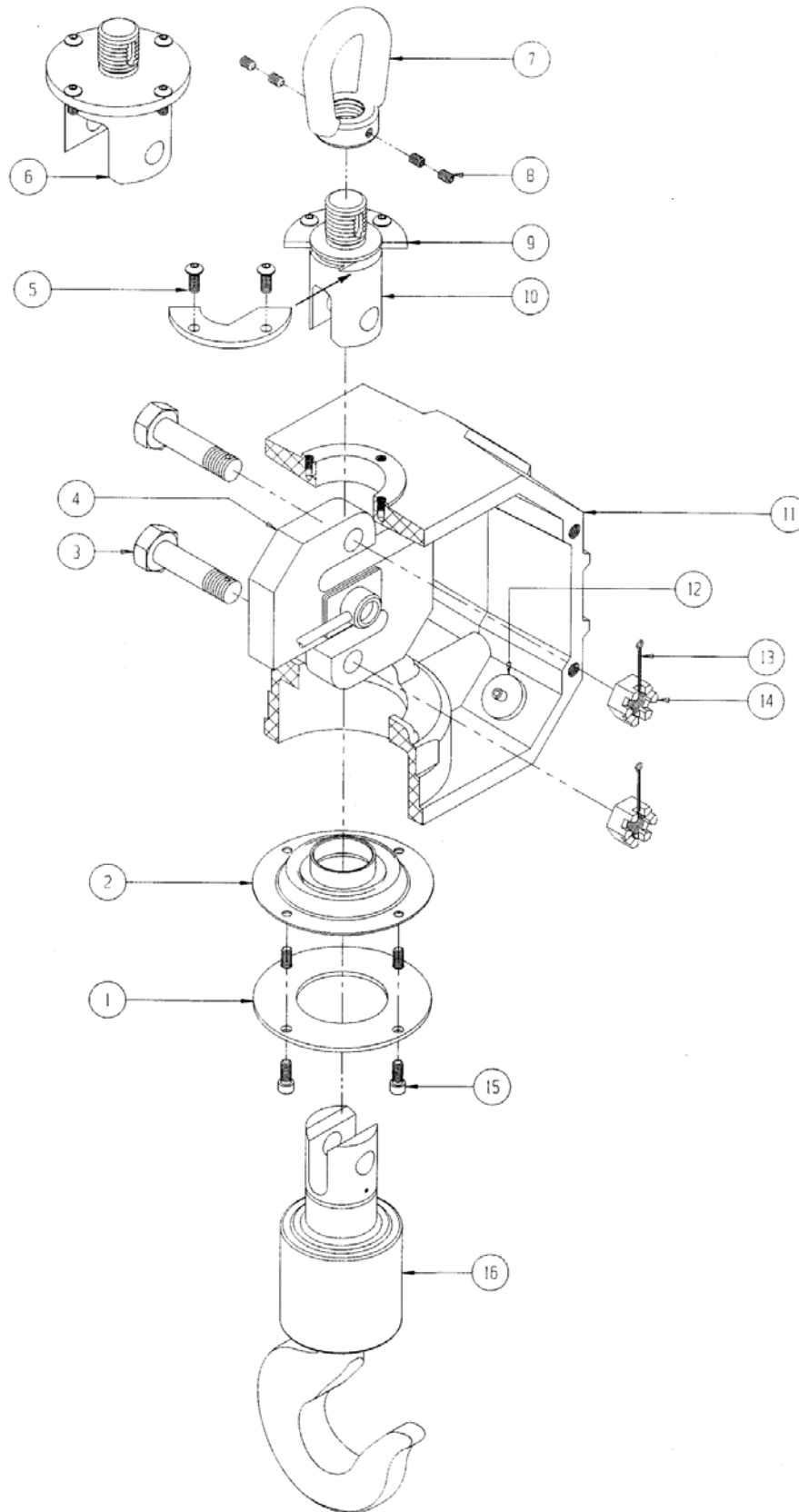
Part Number/Price

Item #	Part #	Description	Price
1	148259	Collar, 500/2K	Consult
1	149168	Collar, 5/10K	Consult
2	149710	Seal, 500/2K	Consult
2	149165	Seal, 5/10K	Consult
3	148457	Bolt, clevis, 500/2K	Consult
3	149217	Bolt, clevis, 5/10K	Consult
Not Shown	144878	Washer, flat, 5/8, must go with 5/10K bolt (4 places)	Consult
4	138661	Load cell assembly, 500	Consult
4	138662	Load cell assembly, 2K	Consult
4	138663	Load cell assembly, 5K	Consult
4	138664	Load cell assembly, 10K	Consult
5	72031	Screw, button head, 1/4-20 x 5/8, stainless steel	Consult
6	149126	Link, upper, 5/10K	Consult
7	139795	Eye nut, lifting, 500/2K	Consult
7	148225	Eye nut, lifting, 5/10K	Consult
8	128799	Screw set, 1/4-20 x 3/8, stainless steel	Consult
9	148274	Collar, top (2 pcs)	Consult
10	148271	Link, upper, 500/2K	Consult
11	147884	Casting, mid section, 500/2K	Consult
11	149166	Casting, mid section, 5/10K	Consult
12	146322	Filter	Consult
13	15238	Cotter pin	Consult
14	142832	Nut	Consult
15	145990	Screw, SH, 1/4-20 x 5/8, stainless steel	Consult
16	135043	Hook assembly, swivel, 500/2,000 lb	Consult
	143236	Latch, safety (fits 500787-0001 hook with hole)	Consult
16	134523	Hook assembly, swivel, 5,000/10,000 lb	Consult
	143233	Latch, safety (fits 500297-0001 hook with hole)	Consult

REPLACEMENT PARTS

MSI-9300

Mid-section Assembly 500 - 10,000 lb (S-beam Load Cell)



REPLACEMENT PARTS

MSI-9300

Mid-section Assembly 20,000 lb and 30,000 lb



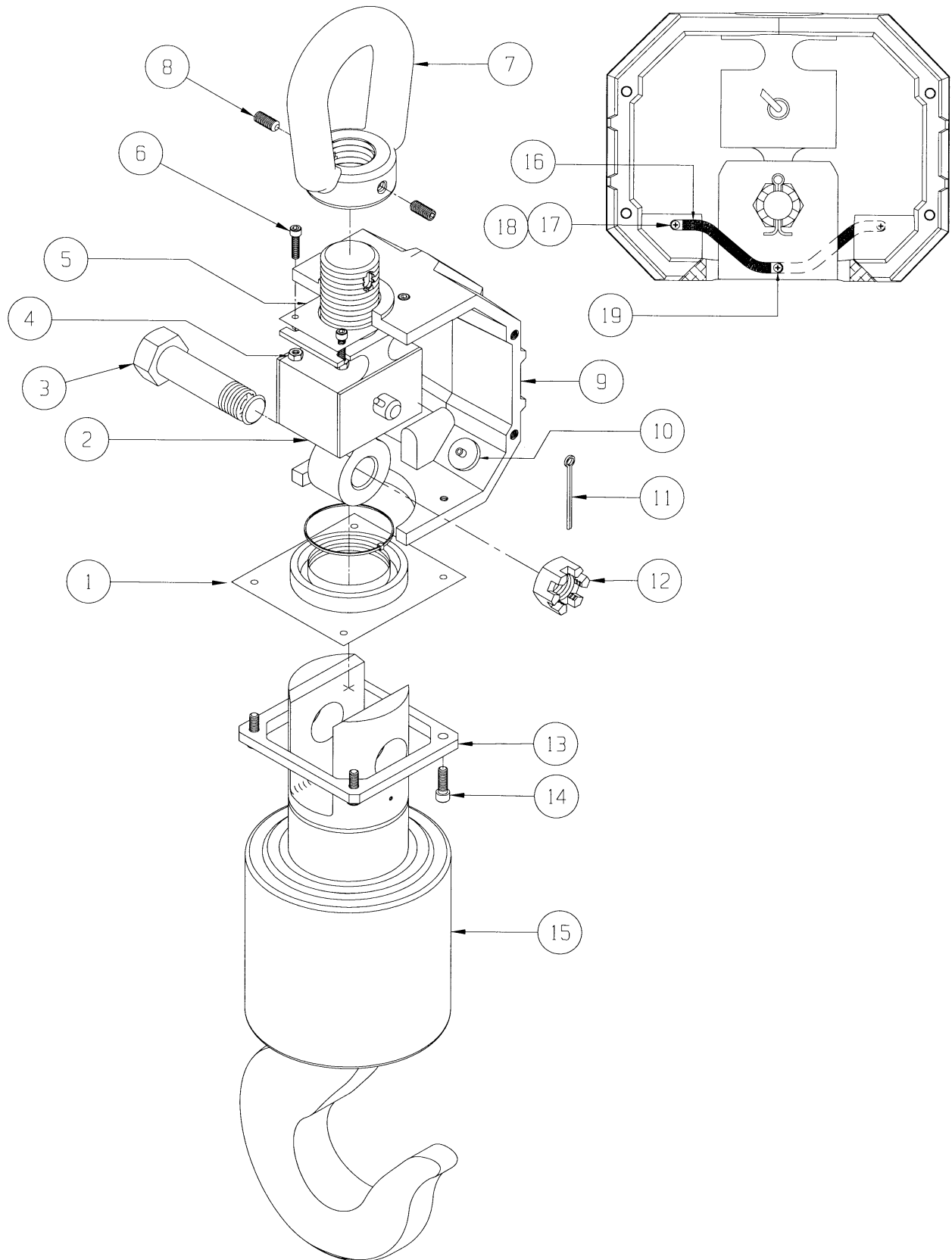
Part Number/Price

Item #	Part #	Description	Price
1	148048	Seal	Consult
2	137763	Load cell assembly	Consult
3	148458	Bolt	Consult
4	146631	Nut, hex, 1/4-20, nyloc, stainless steel	Consult
5	149976	Gasket	Consult
6	81405	Screw, socket head, 1/4-20 x 1, stainless steel	Consult
7	148110	Eye, lifting	Consult
8	146081	Screw set, 3/8-24 x 3/4, cut point, stainless steel	Consult
9	147882	Casting	Consult
10	146322	Filter	Consult
11	142186	Cotter pin, 3/16 x 2, stainless steel	Consult
12	142833	Nut, hex, 1.125 - 7	Consult
13	147976	Collar	Consult
14	145995	Screw, socket head, 5/16-18 x 1, stainless steel	Consult
15	134938	Hook assembly, swivel, 20,000 lb	Consult
	110661	Latch, safety (fits 500729-0001)	Consult
15	134939	Hook assembly, swivel, 30,000 lb	Consult
	143235	Latch, safety (fits 500729-0002)	Consult

REPLACEMENT PARTS

MSI-9300

Mid-section Assembly 20,000 lb and 30,000 lb



REPLACEMENT PARTS

MSI-9300

Mid-section Assembly 50,000 lb and 70,000 lb



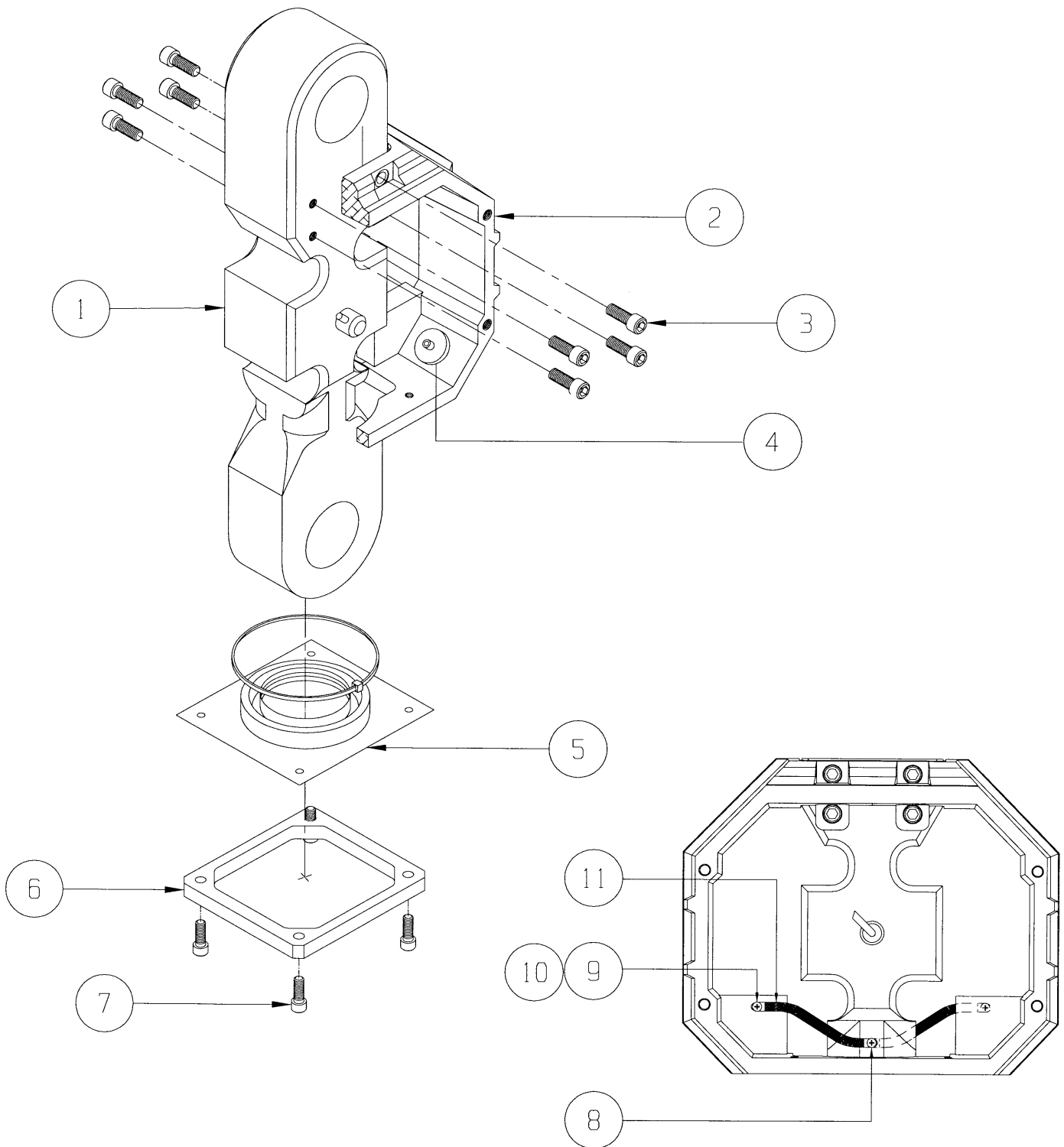
Part Number/Price

Item #	Part #	Description	Price
1	137764	Load cell assembly	Consult
2	147974	Casting	Consult
3	91869	Screw, socket head, 3/8-16 x 1, stainless steel	Consult
4	146322	Filter	Consult
5	148048	Seal	Consult
6	147976	Collar	Consult
7	145995	Screw, socket head, 5/16-18 x 1, stainless steel	Consult
8	146601	Screw, pan head, 6-32 x 1/4, Phillips, stainless steel	Consult
9	81280	Washer Internal tooth #6, stainless steel	Consult
10	146101	Screw, pan head, 6-32 x 3/16, Phillips, stainless steel	Consult
11	139843	Ground strap	Consult
Not Shown	151356	Shackle, 25T, 50,000 lb	Consult
Not Shown	146335	Shackle, 40T, 70,000 lb	Consult
Not Shown	135035	Hook, swivel, 50,000 lb	Consult
	142179	Latch, safety (fits 500782-0001 hook)	Consult
Not Shown	135036	Hook, swivel, 70,000 lb	Consult
	142180	Latch, safety (fits 500782-0002 hook)	Consult

REPLACEMENT PARTS

MSI-9300

Mid-section Assembly 50,000 lb and 70,000 lb



REPLACEMENT PARTS

MSI-9300

Battery Casting Assembly



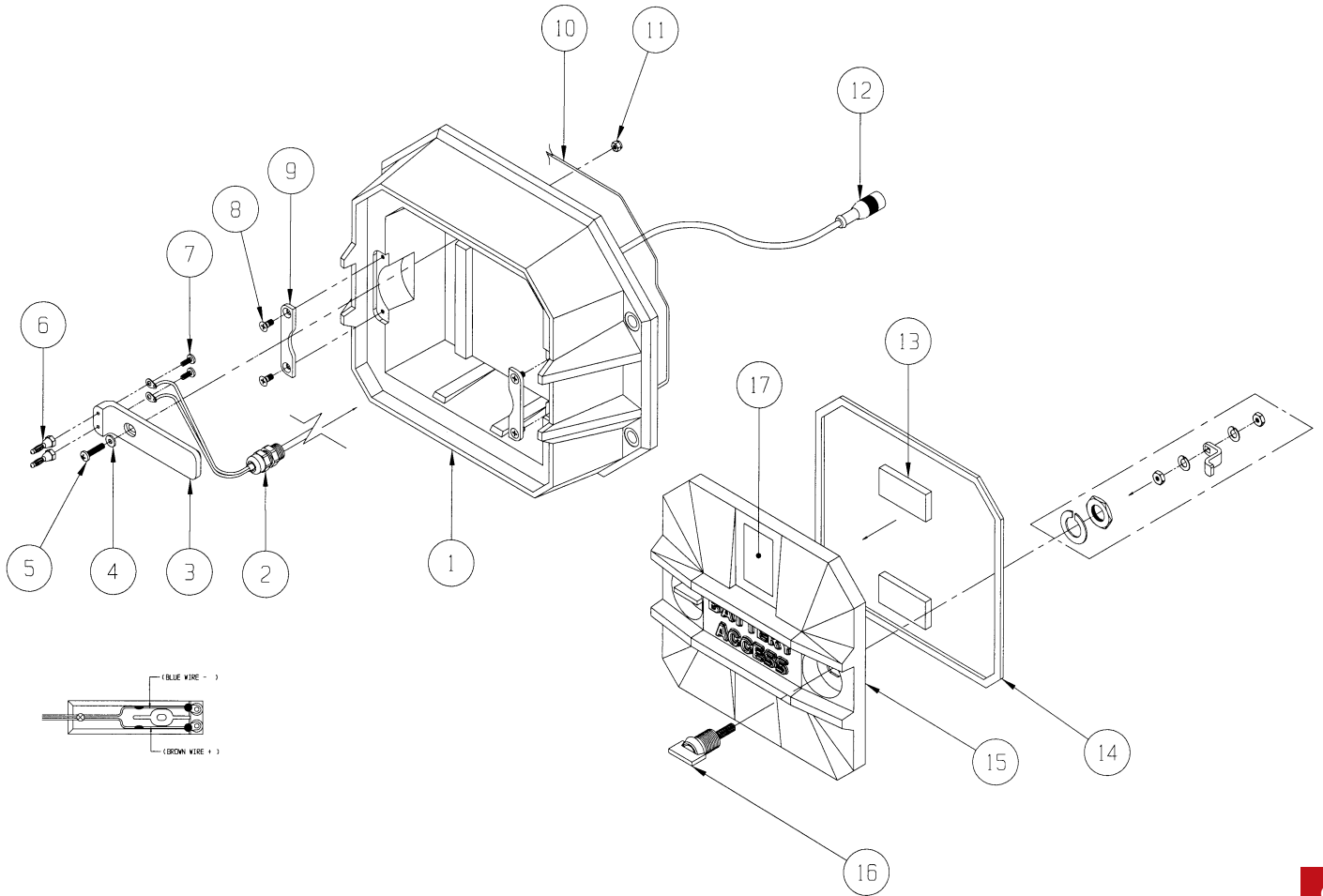
Part Number/Price

Item #	Part #	Description	Price
1	148878	Casting	Consult
2	141593	Connector, feed through, with nut	Consult
3	150073	Connector, battery	Consult
4	55124	Washer flat #6, stainless steel	Consult
5	127036	Screw, pan head, 6-32 x 3/4, Phillips, stainless steel	Consult
6	147825	Plug, banana	Consult
7	146603	Screw, pan head, 6-32 x 3/8, Phillips, stainless steel	Consult
8	54356	Screw, flat head, 8-32 x 3/8, Phillips, stainless steel	Consult
9	148857	Plate, catch battery door	Consult
10	147996	O-Ring	Consult
11	146627	Nut, hex, 6-32, Nyloc, stainless steel	Consult
12	137755	Cable assembly battery	Consult
13	148882	Pad, 1 x 2.25 with adhesive	Consult
14	148858	Gasket, casting door	Consult
15	148855	Casting	Consult
16	143883	Latch, compression 1/4 to 3/8	Consult
17	137803	Label, warning	Consult
*	137757	Door assembly	Consult
*	137754	Rear well assembly	Consult

REPLACEMENT PARTS

MSI-9300

Battery Casting Assembly



REPLACEMENT PARTS

MSI-9300

Universal Battery Charger



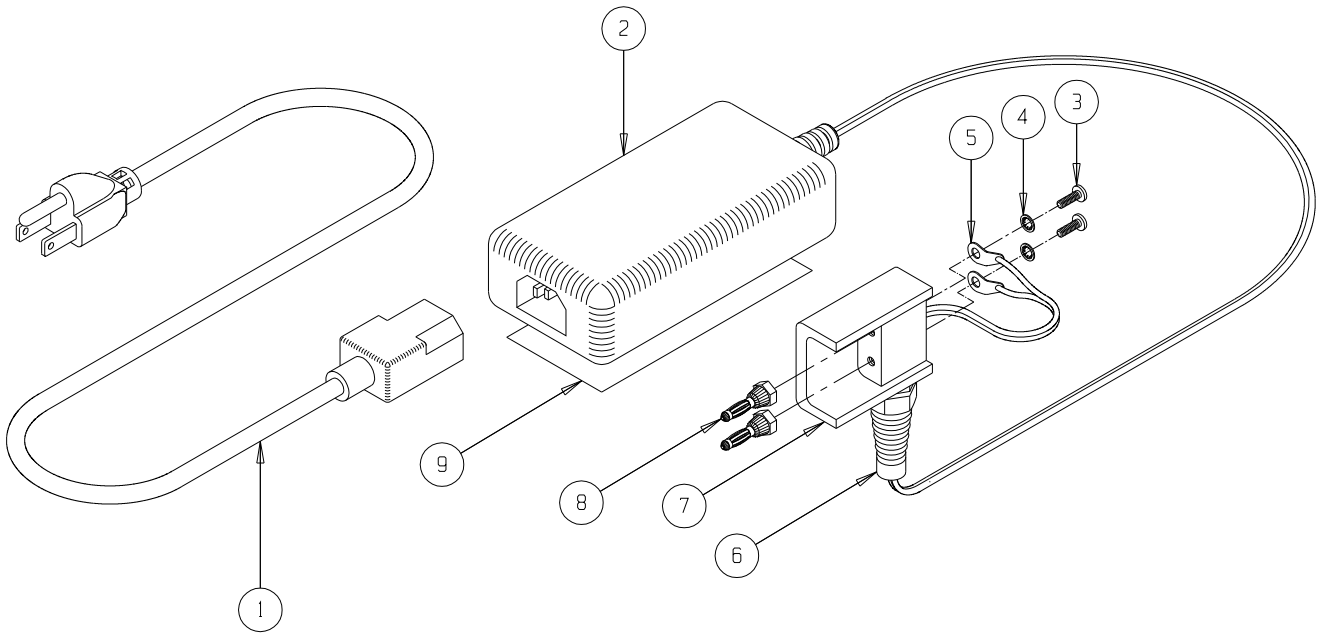
Part Number/Price

Item #	Part #	Description	Price
1	143974	Power cord, North America	Consult
1	143981	Power cord, United Kingdom (not shown)	Consult
1	143979	Power cord, European (not shown)	Consult
1	143980	Power cord, Australian (not shown)	Consult
2	144890	Universal power adapter	Consult
3	146603	Screw, RH 6-32 x 3/8, Std., stainless steel	Consult
4	81280	Washer internal tooth #6, stainless steel	Consult
5	141635	Lug, solder #6, copper	Consult
6	144936	Feed through	Consult
7	149434	Housing battery plug	Consult
8	147825	Plug, banana	Consult
9	139369	Label, descriptive 12V	Consult
	138006	Universal battery charger 115/230 VAC, 50/60 Hz (North American plug configuration is standard; contact factory if alternate is required)	Consult

REPLACEMENT PARTS

MSI-9300

Universal Battery Charger



REPLACEMENT PARTS