

**2024**

**MASTER  
CATALOG**

**RICE LAKE**<sup>®</sup>  
WEIGHING SYSTEMS

800-472-6703

[www.ricelake.com](http://www.ricelake.com)

# Train for Excellence

**RICE LAKE WEIGHING SYSTEMS' TRAINING COURSES** offer something for technicians of all experience levels.

Our topics include everything from general electronic systems to indicator programming and weighing industry standards—there are even specialty classes focused on unique product lines.

Learn from Rice Lake experts and gain skills you and your team can use during real-world sales and service calls in 2024 and beyond!

**ENROLL NOW**

## Rice Lake, WI

### ES-111

Fundamentals of Electronic Systems

February 4-9

April 14-19

June 23-28

August 4-9

September 8-13

December 15-20

### ES-222

Advanced Scale System Troubleshooting

January 21-26

May 19-24

August 25-30

October 20-25

### ES-300

1280 Enterprise Workshop

March 3-8

November 3-8

### ES-301

Indicator iRite Programming

March 10-15

November 10-15

### RS-111

Retail Scales Training

February 18-23

June 2-7

July 21-26

October 6-11

### AW-111

Automatic Wrapper Training

January 14-19

March 24-29

July 7-12

December 1-6

### AW-112

WM-Nano Wrapper Training

October 1-3

## Online

### ES-111

Fundamentals of Electronic Systems

### ES-222

Advanced Scale System Troubleshooting

### SB-111

Setpoints and Batching

### HB-44

Handbook 44 Training

## Other Locations

### Handbook 44 Training

January 16 ..... Portland, OR

April 4 ..... Cincinnati, OH

September 24 .... Concord, CA

October 22 ..... Columbus, OH

PERSONAL INTERACTIONS WITH INSTRUCTORS



HANDS-ON LEARNING



SALES, SERVICE & APPLICATION SKILLS



**RICE LAKE**  
**TECHNICAL**  
**TRAINING**  
**SEMINARS**

View our complete training schedule, read course descriptions and register today at:

[www.ricelake.com/training](http://www.ricelake.com/training)



To speak with our training coordinator, call:

**800-472-6703**



# What's New

in your 2024 Master Catalog...



## Dimensioning

- Weigh-n-Dimension Systems ..... page 332
- iDimension® Plus and BenchPro Shipping Scale Package
- iDimension® Flex Series ..... page 338
- Parcel and Pallet Static Dimensioning System



## Overhead Weighing

- MSI-9600HT ..... page 798
- Hi-Torque Port-A-Weigh Plus Crane Scale
- MSI-6360 ..... page 799
- Trans-Weigh Crane Scale
- RL101 Scale ..... page 801
- Compact Digital Below-the-Hook Scale

## Floor Scales

- RoughDeck®
- Rough-n-Ready System ..... page 348
- Floor Scale and 381 Indicator Package

## Software

- Myrias™ ..... page 939
- Integrated Software Solution
- OnTrak™ Enterprise ..... page 941
- Truck Data Management Software
- RL Web Display ..... page 943
- Remote Scale Monitoring Software

## Indicators

- 380X Synergy Series ..... page 502
- Washdown Digital Weight Indicator
- SCT-1SX ..... page 543
- Integrated Fieldbus and Webserver
- SCT-4X ..... page 544
- 4-Channel Integrated Fieldbus Transmitter



**OnTrak**  
**ENTERPRISE™**  
 TRUCK SCALE DATA MANAGEMENT

**MYRIAS™**  
 INTEGRATED SOFTWARE SOLUTION

# Table of Contents

Shipping Information.....	8
Customer Service Contacts.....	10
Trademarks.....	14
Terms and Conditions.....	15
Warranty and Limitation of Liability.....	17

## Automated Ticketing

Table of Contents.....	21
1280 Kiosk.....	22
Weigh Out/Printer Kiosk.....	23
Weigh/Check In Kiosk.....	24
Printer Kiosk.....	24
<i>Direct Thermal Printer Kiosk</i>	
Printer Kiosk.....	25
<i>Thermal-transfer Printer Kiosk</i>	
OnTrak® Enterprise.....	26
OnTrak®.....	27
Kiosk Safety Swing-away Arm.....	28
Vehicle Loop Detector.....	30
EMX Lite Preformed Loops®.....	30
RFID.....	31
Multiprotocol Rail Reader and Parapanel Antenna.....	31
RFID Access Tags.....	32
RFID Transportation Tags.....	32
HID RFID Cards.....	33
HID RFID Readers.....	33
Remote HID Box.....	34
HID Long Range Readers.....	34
TagMaster CT-45.....	35
Vivotek IP8361.....	35
Photo Eyes.....	36
Traffic Light Kits.....	37
Scale Intercom.....	38
Ethernet Serial Servers.....	38

## Aviation

Table of Contents.....	39
Tracer® AV2.....	40

## Balances

Table of Contents.....	43
------------------------	----

## Rice Lake

ANALYTICAL	
TA Plus Series.....	44
LEGAL FOR TRADE	
TE Enhanced Series.....	45
TOPLOADER	
TS Series Washdown.....	46
TP Series.....	47
TC Series.....	48
Equipoise® Series.....	49

## A&D Weighing

MASS COMPARATOR	
MC Series.....	50
Ion BM Series.....	51
Phoenix GH Series.....	52
Gemini GR Series.....	53
ANALYTICAL	
Ion BM Series.....	54
Phoenix GH Series.....	55
Gemini GR Series.....	56

HR-AZ/A Series.....	57
Orion HR Series.....	58
AD-4212A Series.....	59
Apollo GF Series.....	60
Apollo GX Series.....	61
LEGAL FOR TRADE	
GF-P Series.....	62
FX-i Series.....	63
EK-i Series.....	64
EW-i Series.....	65
PRECISION	
Apollo GX Series.....	66
Apollo GF Series.....	67
FX-iWP Series Washdown.....	68
FX-i Series.....	69
AD-4212A Series.....	70
FX-i Series.....	71
Apollo GX Series.....	72
Apollo GF Series.....	73
FX-iWP Series Washdown.....	74
EJ Newton Series.....	75
EK-i Series.....	76
EW-i Series.....	77
HIGH CAPACITY	
GX-M Series.....	78
GF-M Series.....	79
GP Series.....	80
INTRINSICALLY SAFE	
EK-AEP Series.....	82
MOISTURE ANALYZERS	
MS-70/MX-50/MF-50/ML-50.....	83
STATIC ELIMINATOR	
AD-1683.....	84
<b>Ohaus</b>	
SEMI-MICRO	
Explorer® Series.....	85
Pioneer® PX Series.....	86
Explorer® Series.....	87
Adventurer® Series.....	88
Scout® SJX Series.....	89
Valor® 7000 Series.....	90
Adventurer® Series.....	91
PRECISION	
Adventurer® Series.....	92
Pioneer® PX Series.....	93
Explorer® Series.....	94
Scout® Series.....	95
TOPLOADER	
Pioneer® PX Series.....	96
Explorer® Series.....	97
Adventurer® Series.....	98
Navigator™ XT Series.....	99
Scout® Series.....	100
Valor® 3000 Xtreme Series.....	102
Valor® 3000 Xtreme Series Washdown.....	103
Valor® 2000 Series Washdown.....	104
Compass CX Series.....	105
Compass CR Series.....	106
HH Series.....	107
YA Series.....	108

Valor® 1000 Series.....	109
HIGH CAPACITY	
Explorer® Series.....	110
MECHANICAL	
Triple Beam.....	111
Harvard Trip Balance.....	112
Dial-O-Gram® and Cent-O-Gram®.....	113
Field Test Scale.....	114
Heavy Duty Solution.....	114
MOISTURE ANALYZER	
MB Series.....	115

## Sartorius

ULTRA-MICRO / MICRO	
Cubis® II Series MCA.....	116
Cubis® II Series MCE.....	117
SEMI-MICRO	
Cubis® II MCA Series.....	118
Cubis® II MCE Series.....	119
Quintix/Secura Series.....	120
ANALYTICAL	
Practum/Quintix/Secura Series.....	121
Cubis® II MCA Series.....	122
Cubis® II MCE Series.....	123
ANALYTICAL	
Entris® II Series Basic Essential.....	124
Entris® II Series Basic Advanced.....	125
LEGAL FOR TRADE	
Entris® II Series Basic Essential.....	126
Secura Series.....	127
PRECISION	
Cubis® II Series MCA.....	128
Cubis® II Series MCE.....	129
Entris® II Series Basic Essential.....	130
Entris® II Series Basic Advanced.....	131
Practum/Quintix/Secura Series.....	132
TOPLOADER	
Practum/Quintix/Secura Series.....	133
Cubis® II Series MCA.....	134
Cubis® II Series MCE.....	135
Entris® II Series Basic Essential.....	136
Entris® II Series Basic Advanced.....	137
MOISTURE ANALYZER	
MA35, MA37 and MA160 Series.....	138
<b>Accessories</b>	
ADAPTER CABLE, RS-232/ USB KEYBOARD INPUT	
AbleCable®.....	139
DATA CAPTURE AND STORAGE	
Go-Between™.....	140
Kasota Stone Balance Slab.....	141
Kasota Stone Balance Table.....	141
Granite Clean Room Table.....	141
Anti-Vibration Pad.....	142
Scoops.....	142
STATIC BRUSHES, IONIZING STRIPS AND ACCESSORIES	
Static Control.....	143

# Table of Contents

## Belt Scales

Table of Contents	147
Master™ 311	148
Master™ 221DB	149
Master™ 211	150
Master™ 14X	151
Master™ 421	152
BCi	153
<i>Weigh Frames</i>	
BCi	154
<i>In-Motion Belt Scale System</i>	
882D Belt Scale Integrator	155
Belt Scale Accessories	157
Belt Scale Application	158

## Bench Scales

Table of Contents	161
BenchMark® SL	162
BenchMark® CW-80B	163
<i>Light-capacity Bench Scale</i>	
BenchMark® SL/HE	164
CW-90B	165
CW-90XB	166
Ready-n-Weigh Bench Scale System	167
<i>CW-90B Bench Scale and 380 Indicator Package</i>	
Ready-n-Weigh Bench Scale System	168
<i>CW-90B Bench Scale and 480/480 Plus Indicator Package</i>	
Ready-n-Weigh Bench Scale System	170
<i>CW-90B Bench Scale and 482/482 Plus Indicator Package</i>	
Ready-n-Weigh Bench Scale System	172
<i>CW-90B Bench Scale and 680 Indicator Package</i>	
Ready-n-Weigh Bench Scale System	173
<i>CW-90XB Bench Scale and 380 Indicator Package</i>	
Ready-n-Weigh Bench Scale System	174
<i>CW-90XB Bench Scale and 480/480 Plus Indicator Package</i>	
Ready-n-Weigh Bench Scale System	176
<i>CW-90XB Bench Scale and 482/482 Plus Indicator Package</i>	
Ready-n-Weigh Bench Scale System	178
<i>CW-90XB Bench Scale and 680 Indicator Package</i>	
BenchMark® MS	179
BenchMark® SS	180
BenchMark® HE	181
BenchMark® HE-X	182
BenchMark® LP	184
BenchMark® HD	185
BenchMark® HD-1 Aviation	186
BenchMark® HD-2 Aviation	188
BenchMark® HD-3 Aviation	190
BenchMark® HDP	192
Ishida iPC Series	193
Versa-portion®	194
BenchPro™ BP-P	195
BenchPro™ BP-S	196
BenchPro™ BP-SB	197
BenchPro™ BP-SR	198
BenchMark® MSC-10	199
BenchMark® MSC-20	200
BenchMark® MSC-30	201
BenchMark® MSC-40	202
Bench Scale Ball Transfer and Roller Conveyor	203
Bench Scale Columns	204

## Calibration Weights

Table of Contents	205
-------------------	-----

## ASTM Precision Weights

MASS REFERENCE STANDARDS / METRIC SINGLE WEIGHT WITH CASE (KITS)	
Range: 20 kg – 1 mg	206
MASS REFERENCE STANDARDS / METRIC SINGLE WEIGHTS	
Range: 20 kg – 1 mg	207
MASS REFERENCE STANDARDS / METRIC SINGLE WEIGHT WITH CASE (KITS)	
Range: 25 kg – 1 g	208
Range: 25 kg – 1 g	209
MASS REFERENCE STANDARDS / METRIC SINGLE WEIGHTS	
Range: 25 kg – 1 g	210
MASS REFERENCE STANDARDS / METRIC SINGLE WEIGHT WITH CASE (KITS)	
Range: 500 mg – 0.5 mg	212
MASS REFERENCE STANDARDS / METRIC SINGLE WEIGHTS	
Range: 500 mg – 1 mg	213
MASS REFERENCE STANDARDS / AVOIRDUPOIS SINGLE WEIGHT WITH CASE (KITS)	
Range: 30 lb – 1/16 oz	214
Range: 0.001 lb – 1/32 oz	216
MASS REFERENCE STANDARDS / AVOIRDUPOIS SINGLE WEIGHTS	
Range: 50 lb – 1/16 oz	218
Range: 0.001 lb – 1/32 oz	220
MASS REFERENCE STANDARDS / METRIC SETS	
Essential Weight Sets	221
Range: 500 mg	222
Range: 20 g	224
Range: 50 g	226
Range: 100 g	228
Range: 200 g	230
Range: 300 g and 500 g	232
Range: 1 kg	234
Range: 2 kg	236
Range: 3 kg and 5 kg	238
Range: 10 kg	240
Range: 20 kg and 25 kg	242
MASS REFERENCE STANDARDS / AVOIRDUPOIS SETS	
Range: 2 lb through 50 lb	244

## OIML Precision Weights

MASS REFERENCE STANDARDS / METRIC SINGLE WEIGHT WITH CASE (KITS)	
Range: 20 kg – 1 g	246
Range: 500 mg – 1 mg	247
MASS REFERENCE STANDARDS / METRIC SINGLE WEIGHTS	
Range: 20 kg – 1 mg	248
MASS REFERENCE STANDARDS / METRIC SETS	
Range: 500 mg – 50 g	249
Range: 100 g	250
Range: 200 g	252
Range: 500 g	254
Range: 1 kg	256

Range: 2 kg	258
Range: 5 kg	260
Range: 10 kg	262
Range: 20 kg	264

## Balance Calibration Weights

BALANCE CALIBRATION WEIGHTS / METRIC SINGLE WEIGHT WITH CASE (KIT)	
Range: 5 kg – 10 g	266
BALANCE CALIBRATION WEIGHTS / METRIC SINGLE WEIGHTS	
Range: 30 kg – 5 kg	268
Range: 5 kg – 10 g	269
BALANCE CALIBRATION WEIGHTS / AVOIRDUPOIS SINGLE WEIGHTS	
Range: 50 lb – 10 lb	270
Range: 10 lb – 0.05 lb	271
BALANCE CALIBRATION WEIGHTS / AVOIRDUPOIS SINGLE WEIGHT WITH CASE (KIT)	
Range: 10 lb – 0.05 lb	272

## Stainless Field Weights

STAINLESS STEEL / METRIC SINGLE WEIGHTS	
Range: 30 kg – 1 mg	274
STAINLESS STEEL / AVOIRDUPOIS SINGLE WEIGHTS	
Range: 50 lb – 10 lb	275
Range: 10 lb – 0.001 lb	276
STAINLESS STEEL / METRIC SETS	
Range: 5 g and 50 g	277
Range: 100 g	278
Range: 500 g	279
Range: 1 kg	280
Range: 2 kg	281
Range: 5 kg	282
STAINLESS STEEL / AVOIRDUPOIS SET	
Range: 4 oz	283
Range: 1 lb	284
Range: 2 lb	285
Range: 5 lb	286
Range: 10 lb	288

## Cast Iron Field Weights

CAST IRON / AVOIRDUPOIS GRIP-HANDLE AND NESTING SLAB	
Range: 3,000 lb – 1 lb	290
CAST IRON / METRIC GRIP-HANDLE	
Range: 1,000 kg – 500 g	291
CAST IRON / AVOIRDUPOIS AND METRIC SLOTTED INTERLOCKING AND HANGER	
Range: 100 lb – 200 g	292
CAST IRON / AVOIRDUPOIS AND METRIC COUNTERPOISE AND HANGER WEIGHTS	
Range: 200 kg – 7 oz	293
CAST IRON / AVOIRDUPOIS COUNTERPOISE AND HANGER	
Range: 500 lb – 7 oz	294

## Specialty Weights

SPECIALTY CALIBRATION WEIGHTS / METRIC CUBE AND RING WEIGHTS; AVOIRDUPOIS RING WEIGHTS	
Range: 5 lb – 25 g	296

# Table of Contents

SPECIALTY CALIBRATION WEIGHTS / TROY OUNCE CYLINDRICAL AND LEAF WEIGHTS

Range: 500 oz t – 0.005 oz t ..... 297

SPECIALTY CALIBRATION WEIGHTS / PENNYWEIGHT CYLINDRICAL AND LEAF, AND GRAIN WEIGHTS

Range: 20 dwt – 20 gr ..... 298

SPECIALTY CALIBRATION WEIGHTS / AVOIRDUPOIS AND METRIC CUBE WEIGHT SETS

Range: 1 kg – 1 mg ..... 299

SPECIALTY CALIBRATION WEIGHTS / AVOIRDUPOIS AND METRIC SINGLE HOOK WEIGHTS

Range: 25 kg – 1/32 oz ..... 300

SPECIALTY CALIBRATION WEIGHTS / AVOIRDUPOIS AND METRIC SINGLE HANGERS/SLOTTED WEIGHTS

Range: 5 lb – 100 g ..... 301

SPECIALTY CALIBRATION WEIGHTS / LIFT TRUCK WEIGHTS AND CLEAN ROOM CART

Range: 50 kg – 2,000 lb ..... 302

## Weight Accessories

Cases ..... 304

Sealing Plugs ..... 306

Canvas Dust Covers ..... 306

Gloves ..... 306

Transfer Equipment ..... 307

Transfer Cart ..... 307

Touch-Up Paint ..... 307

## Checkweighers

Table of Contents ..... 309

IQ Plus® 2100 ..... 310

IQ Plus® 2100SL ..... 312

CW-90 ..... 314

CW-90X ..... 316

## Concrete Batch Controllers

Table of Contents ..... 319

1280® FlexWeigh Systems ..... 320

## Counting Scales

Table of Contents ..... 323

Rice Lake Counterpart® ..... 324

DIGI® S-YC Series ..... 326

DIGI® DC-788 Series ..... 327

DIGI® DC-782 Series ..... 328

DIGI® DMC-782 Series ..... 328

A&D® Weighing HC-i Series ..... 329

A&D® Weighing FC-i/Si Series ..... 329

OHAUS® Ranger™ Count 3000 ..... 330

## Dimensioning

Table of Contents ..... 331

Weigh-n-Dimension Systems ..... 332

iDimension® Plus / Plus XL ..... 333

iDimension® Plus Mobile Cart ..... 337

iDimension® Flex Series ..... 338

iDimension® PWD System ..... 340

iDimension® LTL / LTL XL ..... 342

iDimension® SS ..... 345

## Floor Scales

Table of Contents ..... 347

RoughDeck® Rough-n-Ready System ..... 348

*Floor Scale and 381 Indicator Package*

RoughDeck® Rough-n-Ready System ..... 349

*Floor Scale and 380 Indicator Package*

RoughDeck® Rough-n-Ready System ..... 350

*Floor Scale and 480/480 Plus Indicator Package*

RoughDeck® Rough-n-Ready System ..... 351

*Floor Scale and 482/482 Plus Indicator Package*

RoughDeck® Rough-n-Ready System ..... 352

*Floor Scale and 680 Indicator Package*

RoughDeck® HP ..... 353

RoughDeck® HP-H ..... 355

RoughDeck® RP ..... 357

RoughDeck® PC ..... 358

RoughDeck® CS ..... 359

RoughDeck® CS Rail Car ..... 361

*Top-access Coil Scale*

RoughDeck® CS Rail Car ..... 362

*Under Beam Mount Coil Scale*

RoughDeck® SS ..... 363

RoughDeck® HE ..... 364

AutoLift HE ..... 365

RoughDeck® QC-X ..... 367

RoughDeck® QC-XP ..... 369

RoughDeck® QC ..... 370

RoughDeck® SD ..... 373

RoughDeck® LP ..... 374

RoughDeck® PW-1 Mild Steel ..... 375

RoughDeck® PW-1 Stainless Steel ..... 376

RoughDeck® BDP Mild Steel ..... 377

*Barrel, Drum, Pallet Scale – Stationary Model*

RoughDeck® BDP Mild Steel ..... 378

*Barrel, Drum, Pallet Scale – Portable Model*

RoughDeck® BDP Stainless Steel ..... 379

*Barrel, Drum, Pallet Scale – Stationary Model*

RoughDeck® BDP Stainless Steel ..... 380

*Barrel, Drum, Pallet Scale – Portable Model*

DeckHand™ ..... 381

RL1200 ..... 382

RL1200 EM ..... 383

RL1200 IS ..... 384

Altralite™ ..... 385

RoughDeck® FXB ..... 386

Summit® Scale and 120 Indicator Package ..... 387

Summit® Scale and 120 Plus Indicator Package ..... 388

Summit® 3000 ..... 389

RoughDeck® Access Ramps ..... 390

Floor Scale Pit Mounted Riser Stand ..... 392

RoughDeck® Pit Frames ..... 393

Summit® 3000 Access Ramps ..... 394

Summit® 3000 Pit Frames ..... 395

Bumper Guards ..... 396

RoughDeck® HP and SS ..... 399

*Forklift Portability Frames*

RoughDeck® HP ..... 400

*Forklift SENDit Portability Frames, Non-NTEP*

RoughDeck® HP ..... 401

*Forklift SENDit Portability Frames, NTEP*

RoughDeck® HP ..... 402

*Caster Portability Frames*

RoughDeck® HP ..... 403

*Caster SENDit Portability Frames, Non-NTEP*

RoughDeck® HP ..... 404

*Caster SENDit Portability Frames, NTEP*

RoughDeck® HP, SS & HE ..... 405

*Pit Frame Concrete Details\**

RoughDeck® HP-H ..... 406

*Pit Frame Concrete Details\* – 20,000lb Capacity*

RoughDeck® HP-H ..... 407

*Pit Frame Concrete Details\* – 30,000lb Capacity*

AutoLift HE ..... 408

*Pit Frame Concrete Details\**

RoughDeck® QC-X ..... 409

*Pit Frame Concrete Details\**

RoughDeck® QC ..... 410

*Pit Frame Concrete Details\**

Summit® 3000 ..... 411

*Pit Frame Concrete Details\**

## Forklift / Pallet Jack Scales

Table of Contents ..... 413

CLS Series ..... 414

CLS-680 ..... 417

CLS-920i® ..... 418

VIRTUji®3 ..... 419

RL-HPJ ..... 420

## Hanging Scales

Table of Contents ..... 421

On-site OS-10/OS-25/OS-45 ..... 422

## Hardware and Accessories

Table of Contents ..... 423

Load Cell Mounting

Hardware Safety Guidelines ..... 424

Mounting Assembly

Component Identification ..... 425

Jam Nuts ..... 425

Eye Nuts ..... 426

Clevis Mount Assemblies ..... 426

Coupling Nuts ..... 426

Load Cell Eye Bolts ..... 427

Rod End Ball Joints ..... 428

Connecting Links ..... 428

Load Cell Isolators ..... 429

Threaded Adapters ..... 429

ITCM Hardware Kits ..... 430

Grounding Strap ..... 431

Ball Bearings ..... 431

Load Receiver Plate ..... 431

Load Cups ..... 431

Wire Rope Assemblies ..... 432

Cardinal® Wire Rope Assemblies ..... 432

Custom Wire Ropes ..... 432

Custom Wire Rope Definition Form ..... 433

Spherical Washer Sets ..... 434

Load Cell Spacers ..... 434

Load Button ..... 434

Weldless End Links ..... 434

Load Button Insert Kit ..... 435

Flintec® Adjustable Rubber Foot ..... 435

Bench Scale Feet ..... 435

Surefoot™ ..... 435

Polyurethane Rubber Leveling Feet ..... 436

Captured Ball Floor Scale

Leveling Feet ..... 436



# Table of Contents

Leveling Mount.....	437	RL-WMS-10 .....	467	SCT-30.....	547	
Leveling Pads.....	437	RL-MIS .....	468	SCT-40.....	548	
Leveling Pad Stems.....	437	RL-MIS-20 .....	469	FIELDBUS CARDS		
RoughDeck® Scale Base.....	438	Suspended Infant Scale .....	470	Profibus® DP Interface .....	549	
Summit® 3000 Scale Base.....	438	RL-DBS .....	471	Profinet® I/O Interface.....	549	
Floor Scale Base.....	438	RL-DBS-2 .....	472	Remote I/O Interface.....	550	
Complete Custom Cable Services .....	439	650-10-1 .....	473	DeviceNet™ Interface.....	550	
EL147, 6 Wire.....	440	RL-PCT-10 .....	474	ControlNet™ Interface.....	551	
EL147RP Plus, 6 Wire.....	440	260-10-1 .....	475	EtherNet/IP® Interface.....	551	
EL147HE, 6 Wire.....	441	250-10-2 .....	476	Ethernet TCP/IP Interface.....	552	
EL147IS, 6 Wire.....	441	250-10-4 .....	477	Profibus® DP Interface .....	553	
EL146, 4 Wire.....	442	RL-MCS .....	478	PROFINET® Interface.....	553	
EL146HE, 4 Wire.....	442	560-10-1 .....	479	DeviceNet™ Interface.....	554	
Fiber-Optic Cable.....	443	550-10-1 .....	480	MODBUS-TCP® Interface.....	554	
EL144 Communications Cable.....	443	350-10-3M .....	481	EtherNet/IP® Interface.....	555	
BCD Cable.....	443	350-10-2 .....	482	EtherCAT Interface.....	555	
SURVIVOR® EL620HE .....	444	350-10-7 .....	483	TranSend™ MSI-7000.....	556	
EL148HE Mettler Toledo® .....	444	350-10-3 .....	484	TranSend™ MSI-7001.....	558	
Mettler Toledo® Power Cell® .....	444	350-10-4 .....	485	TranSend™ MSI-7000HD.....	560	
SURVIVOR® Cable Armor.....	444	350-10-8 .....	486	TranSend™ MSI-7001HD.....	561	
Cord Grip Assemblies.....	445	RL-350-5 .....	487	SendIt™.....	562	
EL214 Cable Splicing Kit.....	445	RL-350-6 .....	488	ConnexLink™ .....	563	
Load Cell Conduit Adapters.....	445	SB-1150 Summit™ .....	489	Industrial Broadband.....	564	
EL214T Cable Splicing Kit.....	446	SD-1150-WP .....	490	ACCESSORIES		
EL215 Cable Splicing Kit.....	446	350-10-8S .....	492	Aluminum Keypads .....	565	
Flintec™ Load Cell Cable.....	446	<b>Indicators / Controllers</b>			Visible Lights and Audible Alarms.....	565
Five-Position Connectors, Shell Plugs, Receptacles.....	447	Table of Contents.....	493	Din Rail Transient Protector & Fuse.....	565	
Seven-Position Connectors, Shell Plugs, Receptacles .....	447	120/120 Plus .....	494	Manual Pushbuttons/ Pushbutton Switches.....	565	
Six-Position Connectors, Shell Plugs, Receptacles.....	447	IQ Plus® 210.....	496	INDUSTRIAL CONTROL PRODUCTS		
T-Grip Molding.....	448	CW-90.....	497	Tripp-Lite USB		
T-Strip Molding.....	448	CW-90X.....	499	to Serial Converter/Adapter .....	566	
Electronic Scale Tickets.....	449	380 Synergy Series.....	501	Amphenol® RJF 544.....	567	
Mechanical Scale Tickets .....	450	380X Synergy Series.....	502	AbleCable® .....	568	
Printer Dust Covers.....	450	381 Synergy Series.....	503	go-between™ .....	569	
Printer Cables.....	451	480/482 Legend® Series.....	504	<b>Hazardous Location Instrumentation</b>		
Static Brushes.....	452	680 Synergy Series.....	506	Table of Contents.....	571	
Ionizing Strips.....	452	682 Synergy Series.....	508	Explosive Environment		
Desiccants.....	452	680HE Synergy Series .....	510	Equipment Policy .....	572	
Crimper and Lead Seals.....	452	720i™ Series.....	511	Hazardous Area Classification .....	573	
Ionizing Strip Accessories.....	452	880/880 Plus Performance™ Series.....	514	Explosive Environment Solutions.....	574	
Industrial Corrosion Inhibitor.....	452	920i® Series .....	517	Hazardous Atmospheres .....	575	
Static Control Table Mat and Floor Mat.....	453	1280 Enterprise™ Series .....	521	882IS/882IS Plus.....	576	
Static Control Wrist Strap.....	453	Relays and Racks.....	526	EL232 XPCD .....	580	
Static Shielding Bags.....	453	LaserLight3™ .....	527	Intrinsic Safety Barriers.....	581	
Static-Safe Service Kit.....	453	LaserLT-60 and LaserLT-100.....	529	<b>InMotion Weighing</b>		
Rice Lake's Scale Technician Kits.....	454	920i® User Programs .....	530	Table of Contents.....	583	
<b>Health Scales</b>		920i® FlexWeigh Systems.....	532	ELS Series.....	584	
Table of Contents.....	455	<i>Fillers/Batchers</i>		MotoWeigh® IMW .....	586	
RL-330HHD/RL-330HHL .....	456	920i® FlexWeigh Systems.....	534	MotoWeigh® Metal Detector.....	591	
DHH-10 .....	457	<i>Bulkweighers and Flip Flop Fillers</i>		MotoWeigh® Cascade Checkweigher .....	593	
RL-MPS .....	458	920i® FlexWeigh Systems.....	535	Motoweigh® Integrator .....	593	
RL-MPS-10 .....	459	<i>Flow Rate Controllers</i>		A&D Inspection.....	594	
RL-MPS-20 .....	460	920i® FlexWeigh Systems.....	535	RT-M .....	596	
RL-MPS-30 .....	461	<i>Hand Batching</i>		<b>Junction Boxes / Simulators</b>		
RL-MPS-40 .....	462	MSI-8000HD .....	536	Table of Contents.....	599	
RL-MPS-50 .....	463	MSI-8004HD .....	538	JB4SS .....	600	
150-10-5 .....	464	SCT-1100.....	540	JB4ES.....	601	
150-10-6 .....	465	SCT-2200.....	541			
150-10-7 .....	466	SCT-3300.....	542			
		SCT-1SX.....	543			
		SCT-4X.....	544			
		SCT-10.....	545			
		SCT-20.....	546			



# Table of Contents

JB4SP and JB4SPT.....	602	EZ Mount 1 with Coated RL70000 .....	673	RL75058I for Rice Lake Coil Scale.....	733
JB4EP and JB4EPT.....	603	EZ Mount 1 HE.....	674	RL75058-LP .....	734
EL204 .....	604	RL1600 Series .....	675	RL75058S-LP .....	735
EL504 .....	605	RL1600 Series .....	677	RL75060S.....	736
JB8SP .....	606	RL1600 Series SS .....	679	RL75223 .....	737
JB8SPT .....	607	RL1600 Series Coated Load Cell Version.....	681	RLDB50000S .....	738
EL304A.....	608	MVS Mount/MVS .....	682	RL75040 .....	739
JB1010T .....	609	Translink™ Parallel Link .....	683	COMPRESSION CANISTER	
JB1010ST .....	610	Motor Truck Scale Electronic Conversion Kit .....	684	RLCSP1.....	740
Replacement Junction Boxes, Boards or Components.....	611	MagnaMount® .....	685	RL8C2P1SST.....	741
iQUBE2® .....	612	Mettler Toledo® DigiTOL® Retrofit Kit .....	686	ROCKER COLUMN	
EL168 .....	615	Rice Lake Analog Retrofit Kit .....	688	RLSCA-50K .....	742
TP75 DC.....	615	Electronic Floor Scale Underdeck Kits.....	689	RL70510/RL80453.....	743
UJB3T6 DC.....	616	S-BEAM		RL75114-50K .....	744
TP232 .....	617	RL20000I.....	690	COMPRESSION DISK	
Ranger 1.....	617	RL20000SS .....	691	RL90000 .....	745
Ranger 3.....	618	RL20000ST .....	692	RLPC3SS .....	746
Transducer Simulator 4 .....	618	RL20001I.....	693	RLPC4SS-HE .....	747
Ranger 5.....	619	RL20001HE.....	694	SINGLE POINT	
Ranger 7.....	619	RLETS.....	695	RLPC6 .....	748
		SINGLE-ENDED BEAM		RLPWM15HE.....	749
<b>Livestock</b>		RL32022 .....	696	RLPWM15 .....	750
Table of Contents.....	621	RL32022S.....	697	RLPCBC-60.....	751
RoughDeck® SLV.....	622	RL32018 .....	698	RL1521A.....	752
RoughDeck® EQ .....	624	RL32018 Coated.....	699	RL1010.....	753
Farm Bars .....	626	RL32018S.....	700	RLSP4 .....	754
Farm Bars .....	627	RL32018S-P .....	701	RLPWM12 .....	755
		RL32018S-HE.....	702	RLPWM16 .....	756
<b>Load Cells / Weigh Modules</b>		RL32019S-HE.....	703	RL1042.....	757
Table of Contents.....	629	RL32218S-HE.....	704	RL1040.....	758
SURVIVOR® Paramounts® HE .....	631	RL9018SS.....	705	RL1140.....	759
RL1700 HE .....	632	RL30000I .....	706	RL1380.....	760
RL1600 HE .....	633	RL30002 Thru Hole.....	707	RL1385.....	761
RL1855 HE-HS.....	634	RLH35.....	708	RL1260.....	762
RL2100 HE .....	635	RL39123 .....	709	RL260FD .....	763
ITCM .....	636	RL32018S-T .....	710	RL26018A .....	764
ITCM SS.....	637	RL35023S Coated .....	711	RL1218A.....	765
ITCM HE.....	638	RLHTO .....	712	RL42018A .....	766
RL50210TA .....	639	RLSSB .....	713	RLFLS .....	767
65059 .....	641	RLSB250/RLSB250T .....	714	PLANAR BEAM	
RL50219SS-TA .....	643	RL50219SS .....	715	RLBLP.....	768
Paramounts® EP .....	645	RL50210 .....	716	TENSION LINK	
Paramounts® HS.....	647	RL60040SST .....	717	RL2010.....	769
RLBTM .....	649	RL40BBS .....	718	MSI Load Pin Sensors.....	770
RL1800 Series .....	650	RL32011WB-L .....	719	MSI Load Pin Questionnaire.....	771
RL1800 Series Coated Load Cell Version.....	652	RL32011WB-T .....	720	MSI Tension Link .....	772
RL1900 Series .....	653	DOUBLE-ENDED BEAM		MSI Clamp-On .....	773
RLTM .....	654	RL72020 .....	721	<b>Monorail Scales</b>	
RL9000TWM Series.....	655	RL72020SS .....	722	Table of Contents.....	775
RL9000TWM-HT.....	658	RL72020P Coated .....	723	MS200 .....	776
RL2200 Series .....	659	RL72019SS .....	724	MS202 .....	777
RL2200SS Series .....	660	RL70000 .....	725	<b>Onboard Weighing</b>	
RLC .....	661	RL70000 Coated.....	726	Table of Contents.....	781
220 Universal Mount .....	662	RL70000SS .....	727	PL Series Load Cells.....	782
EZ Mount 1 with RL72020 .....	664	RL75016 .....	728	Rigid Underbody Load Cell Kits .....	784
EZ Mount 1 SS with RL72020SS .....	666	RL75016 Coated.....	729	Tractor-Trailer Kits.....	785
EZ Mount 1 with Coated RL72020P .....	668	RL75016SS .....	730	Loadrunner®.....	786
EZ Mount 1 with RL70000 .....	670	RL75016SS-W .....	731	TradeRoute® HL Series .....	787
EZ Mount 1 with RL70000SS .....	672	RL75016WHE.....	732		

# Table of Contents

## Overhead Weighing

Table of Contents	789
MSI-3460 Challenger 3	790
MSI-4260 Port-A-Weigh	792
MSI-4260 IS Port-A-Weigh	794
MSI-4260M Port-A-Weigh	795
MSI-4260M Port-A-Weigh	797
MSI-9600HT Hi-Torque Port-A-Weigh Plus	798
MSI-6360 Trans-Weigh	799
RL101 Scale	801
Crane Scale Cart	802
MSI-7300 Dyna-Link 2	803
MSI Dyna-Clamp	805
MSI Clamp-On	806
MSI Load Pin Sensors	807
MSI Load Pin Questionnaire	808
MSI Shear Web	809
MSI Tension Link	810
Shackle Dimensions	811
MSI-8000	812
MSI-8000HD	813
MSI-8004HD	815
MSI Scoreboards Wireless RF	817
TranSend™ MSI-7000	818
TranSend™ MSI-7001	820
TranSend™ MSI-7000HD	822
TranSend™ MSI-7001HD	823
ScaleCore Webserver	824
Rugged Remote	826
WiFi Information Request	827

## Pipe Lever Scales

Table of Contents	829
Pipe Lever Scale	830
Pipe Lever Scale Questionnaire	831

## Power Conditioning

Table of Contents	833
Selecting the Best Power Conditioning Devices/ Equipment for Your Application	834
Transient Protection AC, DC, Series and Parallel	836
TP232 RS-232	837
Tripp-Lite DNET1	838
LCP-1 DC	838
UJB3T6 DC	839
TP75 DC	840
ISOBLOK®	841
ISOBAR®	842
EL226	843
EL225-4	844
Sola MCR Series	844
Tripp-Lite PV Series	845
Tripp-Lite LC1200	845
Sola S1K/S3K	846
Eaton 3S/5S	846

## Precision Industrial Weighing

Table of Contents	847
MINEBEA INTEC	
Midrics® Series	848
Midrics 2® Series	849
Combics 2	850
Midrics® 1 and 2 Series	851
Signum Series	852
Combics 1	854
Combics 2	855
Combics 3	856
PURO® SmallFlat	857
PURO® LargeFlat	858
PURO® SmallTall	859
PURO® LargeTall	860
PURO® LargeCount	861
Combics	862
IF Series	863
IF Series	865
IS Series	867
Signum Ex Supreme, Explosion Proof	868
Combics 2 Ex, Explosion Proof	869
Combics, Explosion Proof	870
IF Series, Explosion Proof	871
Inteco	873
Inteco	874
PR6202	875
Contego-Hygienic Weigh Module Kits	876
PR5220 Ethernet TCP/IP Transmitter	877
PR5230 Fieldbus Transmitter	878
DIGI DSX-1000	879

## Printers

Table of Contents	881
Rice Lake SURVIVOR® SST4™	882
Rice Lake GUARDIAN™	883
Rice Lake GUARDIAN G-2™	883
Rice Lake POLY GUARD	884
Honeywell® PD45S	885
Honeywell® PM45	886
Honeywell® PX940	887
EPSON® TM-T88VI	888
EPSON® TM-U220	889
EPSON® TM-U295	890
EPSON® TM-U590	891
GoDEX® DT2x	892
GoDEX® DT4xW	893
GoDEX® G500	894
Star® SP742	895
Star® TSP 847	896
Star® TSP743 II	897
Zebra® ZD411	898
Zebra® ZD421	899
Zebra® ZQ630	900
DTL	901
DTL Plus/DTT	902
DTL-SYN	902
TTL	903

Fantastock	903
TTT Standard	904
SDR Super Durable Ribbon	904
MaxWax™ GPR	905
Tape and Ticket Printer	
Impact Ribbons	906
Tape Printer Paper Supplies	907
Electronic Scale Tickets	908
Mechanical Scale Tickets	909
Replacement Printheads	910
Printer Cables	911
Dust Covers	912

## Remote Displays / Scoreboards

Table of Contents	913
LaserLight2™	914
LaserLight3™	916
LaserLT-60 and LaserLT-100	918
RD-232	920
RD-300	921

## Retail Scales

Table of Contents	923
Rice Lake RS-130/RS-160	924
Ishida Astra II	925
Ishida Astra II Standard Label Formats	927
BenchPro™ BP-R	928
QuikSharp™	930
Weight Set	930

## Scanners

Table of Contents	931
Datalogic QuickScan® QD2131 Series	932
Datalogic PowerScan® PD9130 Series	933
Datalogic PowerScan® RF PM9100 Series	934
Zebra DS457	935

## Software Systems

Table of Contents	937
Interchange	938
Myrias™	939
OnTrak® Enterprise	941
OnTrak®	942
RL Web Display	943
VIRTUi2®	944
VIRTUlink	945
WeighVault®	947
WinWedge® TAL Software	948

## Vehicle Scales

Table of Contents	949
SURVIVOR® Truck and Rail Scales	950
RailBoss®	951
RoughDeck® AX	954
AX3040	955
RoughDeck® AX-1	956
Load Ranger	958
Load Ranger Cart	960

# Shipping Information

FREIGHT SERVICES OFFERED	"SMALL PACK"	LTL	TRUCK LOAD
Nationwide Same Day Service	Y* ***	Y*	N
Next Day (AM)	Y**	Y**	Y**
Next Day (END OF DAY)	Y	Y**	Y**
2 Day	Y	Y	Y
3 Day	Y	Y	Y
Ground	Y	Y	Y
Canada	Y	Y	Y
Mexico	Y	Y	Y
Express Freight (Air-over 150 lb)**	Y	Y	N
International (Sea)	Y	Y	Y
International (Air)	Y	Y	N

\* Subject to cost/distance

\*\* Subject to distance

\*\*\* Subject to flight availability and proximity of nearest airport

## Same Day Services

These services do not carry the same service guarantees that standard delivery schedules do and are subject to availability.

## Small Parcel Services

We ship with internationally recognized parcel carriers based on delivery time and services offered.

## Determining Dimensional Weight for Small Parcel Shipments for Air and Ground

When shipping via air services, carriers require the shipping weight be determined by the greater of the boxed product's actual weight or its dimensional shipping weight. The formula for calculating dimensional shipping weight is as follows:

Domestic shipments via Ground or Air:  $L \times W \times H / 139$ .

International air shipments:  $L \times W \times H / 139$ .

Please note: Rice Lake Weighing Systems takes the added precaution of double-boxing some of our electronic products and balances. This may result in higher dimensional weight charges by the carrier. Even with this added precaution, we suggest you always ship high precision and fragile products via air services to reduce excessive handling.

## Less Than Truckload (LTL)

Full service LTL coverage for the continental United States, Puerto Rico, Canada and Mexico.

Note: A standard LTL delivery is considered to be one that ships from either a company or partner dock to arrival at a standard commercial address with disposition of the goods at the rear of the truck to enable off loading by material handling equipment provided by the consignee at either ground level or via loading dock. The freight in question should be palletized and secured in a way to facilitate the safe handling of the freight with no one dimension over six feet.

Any LTL delivery falling outside of this criteria may well accrue accessorial charges levied by the carrier in line with their tariff rules. It is recommended that any potential accessorial costs are discussed at the time of order placement so these costs can be billed appropriately at the time of shipment. If this is not the case, Rice Lake reserves the right to charge the customer retrospectively for any accessorial costs incurred during the delivery process.

Accessorial charges include, but are not limited to the following:

Lift gate, call for appointment and guaranteed delivery: Day and by 10:30 a.m. (where available). Excessive length, inside delivery

**NOTE: To inside of first threshold crossed only**, high cost delivery areas such as government sites and mines, re-delivery, re-consignment, residential and restricted access shipments. All prices are available on request.

## Full Truckload

Various truckload providers give us the ability to ship to the contiguous United States, Alaska, Canada and Mexico.

## Forwarders (International Freight)

We can provide service through a forwarder of our choice, or select one of your preferred forwarders.

**Air freight:** All of our forwarders are internationally recognized brands.

**Ocean freight:** All of our forwarders are internationally recognized brands.

## Rice Lake Weighing Systems Freight Claims Procedure

Incidents can happen anytime between a package's departure from Rice Lake's loading dock and the time you receive it. For that reason, we are asking you to follow the procedures below when receiving a shipment.

The Bill of Lading (BOL) or Delivery Receipt (D/R) is the only record of the product's condition when it arrives at your site. If you do not inspect a shipment before signing, you are essentially waiving the right to collect on a damage claim regardless of whether the damage is visible or concealed. Your signature on a delivering carrier's BOL or D/R constitutes acceptance of the merchandise "as is." This proof is essential in filing a claim and holding the responsible parties accountable for items damaged or missing while in transit. Remember, once you sign, the goods and responsibility are yours.

### Receiving a Shipment

- Check immediately for possible damage during shipment. Inspect, examine and inventory your delivery as it is unloaded.
- Open cartons and containers. Any suspicion of damage or shortage must be noted on the BOL or D/R. This information must include the item, discrepancy and condition of the item in question. If this is NOT noted, the liability to prove the damage was done by the delivering carrier is your responsibility.
- The driver cannot leave your receiving dock until the BOL or D/R is signed, regardless if they are behind schedule or not. Do not be intimidated by the driver.

### Damaged Shipment

- Discovered damage: If the box, crate or merchandise is visibly damaged, beyond what you would consider to be normal shipping wear and tear, refuse the delivery and request a Return Authorization Number from the driver in order for the shipment to be sent back to its origin at no charge.
- Concealed damage: Immediately document and photograph the damage and packaging. Keep all crating and packaging material with the damaged item(s) for inspection by the company's claim inspector until told to either return or dispose of the item(s). The item should be moved minimally; only to an area where it can be inspected by the carrier or their agent.
- Keep a second copy of the BOL or D/R noting the damage and the driver's signature.
- Call your Rice Lake Weighing Systems customer service representative to report the shortage and/or damage. Ideally, the call should be made before the driver leaves the site.

At this point, a claim for concealed damage will be started and an inspection will be requested. The inspector will determine if the damage was possibly caused by the carrier. A report and claim must be filed with the carrier within seven days after delivery. The sooner concealed damage is discovered and reported, the better.

### Small Parcel Shipments

In general, it is the policy of small parcel carriers to NOT deliver damaged packages but rather take them back to the distribution center for evaluation. HOWEVER, that does not always happen. Occasionally if the package is deemed to be ok, it will be re-taped and delivered to the consignee. If damage is noticed while still at the distribution center, a notation should have been entered into the system.

If you do receive a package that appears to be damaged you can either refuse as damaged or you can accept the damaged package and report the damage (immediately) to your Rice Lake customer service representative with the tracking number. They will, in turn, contact the relevant team member from their support group so the claims process can be started. It should be noted that **drivers do not normally note the package was damaged until it is brought back to the distribution center. A clerk will note damage at that point.**

### Questions

If you have any questions about shipping or potential damages to your shipment, contact us at 800-472-6703 and a member of our sales and logistics team will assist you.



# Customer Service Contacts

At Rice Lake Weighing Systems, we strive to give you the best customer service in the industry. You can depend on our knowledgeable staff to deliver decisive, courteous assistance when you need it most.

Customer Service Representative Hours (CST):

Monday through Friday 6:30 AM to 6:30 PM; Saturday 8:00 AM to Noon

## United States and Canada Field Sales



**Tim Campbell**  
Great Lakes Region  
715-434-5067



**Jeff Canfield**  
Allegheny Region  
715-434-5081



**Jim Gruchalla**  
Lower Midwest Region  
715-434-5084



**Chris Hanson**  
Mid-Southeast Region  
715-434-5069



**Reggie Mabe**  
Eastern Canada Region  
715-434-5049



**Monte Martinson**  
Upper Midwest Region  
715-736-6466



**Gabriel Ruberti**  
Southeast Region  
715-434-5157



**Jim O'Brien**  
Northeast Region  
715-736-6487



**Murray Stewart**  
Western Canada Region  
715-434-5194



**Tommy Nix**  
Southwest Region  
715-434-5047



**Steve Delaney**  
Mid-Southwest Region  
715-434-5293



**Jon Spencer**  
Northwest Region  
715-434-5370

## International Field Sales



**Manuel Talancon**  
International Sales Director  
+39 388 457 0497



**Martin DeVilla**  
Rice Lake de Mexico  
+52 81 1516 5938



**Jose Mathew**  
Middle East  
715-434-5048



**Stephane Sanguard**  
EU Strategic Accounts  
+33 611 650 819



**Jaap Oosterlee**  
Master Brand, Europe  
+31 06 30048248



**Frank Da Silva**  
Central/South America  
+507 6977 4115



**CW Pang**  
Southeast Asia  
+60-12-201-6262



**Phil Maillols**  
Oceania  
+61 45 144 1755



**Marco Casolari**  
Northern Europe/  
Balkans  
+39 329 649 9997



**George Cox**  
UK/Ireland  
+44 07821 122257



**Richard Pouncy**  
UK/Ireland  
+44 (0) 7517 861263



**Luca Prampolini**  
Spain/Portugal/  
Eastern Europe  
+39 344 2528841



**Andrea Mazzone**  
Italy  
+39 377 1697446



**Stefano Ferli**  
Italy/OEM  
+39 351 273 1978



**Vitaliy Domalchuk**  
Central Europe/Russia  
+39 344 2686947



**Alessio Balatti**  
France  
+39 344 2528126



**Mathieu Favreau**  
France  
+33 0148 734 347



**Alessandro Mattioli**  
UK/Italy/OEM  
+39 0536 843 418



**May Deng**  
China  
+86 21 66314055



**Massimo Zanotti**  
Africa  
+39 348 8707493



**Paolo Picotti**  
Italy  
+39 348 5213857



**Robert Brzozowski**  
Poland  
+48 664 085 410



# Customer Service Contacts

CUSTOMER ASSISTANCE

## Customer Relations



**Mark O. Johnson**  
Chief Executive Officer



**Mark Johnson, Jr.**  
President



**Steve Parkman**  
Chief Operating Officer



**Nick Peterson**  
Chief Financial Officer



**Tom Kowalski**  
Chief Information Officer



**Steve Hersman**  
Vice President of Global Sales



**Dominic Hodkiewicz**  
Vice President of Manufacturing



**Patrick Ranfranz**  
Vice President of Marketing



**Glenn Zalusky**  
Vice President Strategic Business



**Tim Donahue**  
Director, Global Product Management and Innovation



**Guru Ganesh**  
Managing Director, India



**Walter Hendriks**  
Managing Director, Master Brand, Europe



**Massimo Corradini**  
General Manager Engineering/Manufacturing Modena, Italy



**Enrico Tosi**  
General Manager Business/HR/Finance Modena, Italy



**Kris Lagace**  
Director of Logistics



**Jim Norvid**  
Director of Mechanical Engineering



**Joe Ramos**  
Director of Electrical/Software Engineering



**Brandi Harder**  
Quality Manager



**Sam Bower**  
Training Coordinator



**Greg Stager**  
Technical Training Specialist



**Carlos Aguilera**  
Rice Lake de Mexico



**Daniel Brito**  
Central America/Caribbean

## Inside Sales



**Deanna Stanley**  
Inside Sales Manager



**Keven Jensen**  
Warranty Coordinator



**Shannon Abel**



**Eric Butzler**



**Sonya Hegle**



**Stacie Lashmett-Stoerber**



**Gene Marquardt**



**Jason Mathews**



**Matt Piazza**



**Sam Solie**



**Lindsay Soper**



**Jamie Springer**



**John Tennant**



**Casey Sutherland**



**Lynnette Thompson**



**Jon Thurs**



**Kally Wagner**

# Customer Service Contacts

## Sales Engineers



**Tommy Guest**  
Sales Resource/Tech Support Manager



**Tim DeDoncker**



**John Eisele**



**Doug Hagie**



**Sharon Miller**



**Efrain Molinari**  
Habla Español



**Preston Reed**



**Marvin Stodola**

## Health Sales



**Staci Wiesner**

## Heavy Capacity Sales



**Karen Hansen**



**Stacie Lashmett-Stoeberl**



**Tony Zillmer**

## International Region



**Jennifer Krahenbuhl**



**Gloria Miranda**  
Habla Español



**Bobbie Stiver**  
Habla Español  
Parle Français



**Francia Villamil-McCreary**  
Habla Español

## Livestock Sales



**Shannon Abel**



**Keven Jensen**



**Gene Marquardt**



**Matt Piazza**



**Sam Solie**



**Casey Sutherland**



**Tony Zillmer**

## MSI Overhead Weighing



**Phil Gray**  
Director of Operations



**Bob Davis**  
Field Sales Engineer



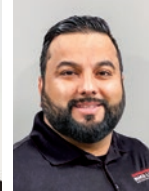
**Patrick Hillman**  
Technical Sales & Service Specialist



**Sue Radowick**  
Inside Sales



**Rob Nelson**  
Engineering Manager



**David Garcia**  
Customer Service Supervisor



# Customer Service Contacts

CUSTOMER ASSISTANCE

## Technical Support



**Tommy Guest**  
Sales Resource/Tech Support Manager



**Brent Craine**



**Alan Dobrowolski**



**Pete Jacobs**



**Torey Nelson**



**Scott Ross**



**Joel Thompson**



**Mark Ware**



**Don O'Connell**  
Retail



**Chris Olson**  
Retail



**Matt Rigden**  
Retail

## Repair Department



**Phil Stoeberl**  
Electronic Assembly Repair Manager



**Diane Gagner**  
Warranty>Returns



**Lisa Maciosek**  
Warranty>Returns



**Randeel Bauch**



**Chad Dobrowolski**



**Deb Hayton**



**Tracy Lavalieri**

## Receptionists



**Brady TwoBears**



**Brian Veitch**



**Terica Schamberger**  
Sales Administration Supervisor



**Chantel Holmes**



**Ashley Janota**



**Trish Schultz**

## Financial Services



**Lynette Marshall**  
International Accounts Manager



**Wendy Boese**  
Financial Services Supervisor



**Nicole Dostal**  
Financial Services Specialist



**Marcia Fankhauser**  
Senior Account Analyst



**Melissa Olson**  
Senior Account Analyst



**Katie Garling**  
Tax Specialist



**Jordan Haupt**  
Account Analyst



**Tristy Hopp**  
Account Analyst



**Leanne Madsen**  
Account Analyst

# Trademarks

The following product names, logos, brands and other trademarks featured or referred to within this publication are the property of their respective trademark holders.

Access™	Flintec™	Novell®	SUREFOOT™
Adventure Pro®	Genius®	OHAUS®	Symbol®
Allen-Bradley®	Hewlett-Packard™	OKI®	TekLynx®
Amphenol®	Howe™	Pax®	Toledo®
AstraLabel™	IBM®	pcANYWHERE®	Torque™
AstraLink™	InCal™	Peachtree®	TRANSCORE®
AutoCal™	Intel®	Pelican™	Trooper®
Beldfoil®	Interchange®	Pick N Pluck™	Turck®
Bitstream®	Intercomp CS™	Pioneer™	Valor®
Bluetooth®	Intercomp PT300DW™	PowerCell®	Voyager®
Cardinal®	Intercomp PT300™	Powerware®	Vulcan®
Cent-O-Gram®	IONMASTER™	PreVent™	WinCT®
Centronics®	iPAQ™	Prodigy Max™	Windows®
Citizen®	ISOBAR®	Prodigy™	WinWedge®
ConnexLink™	ISOBLOK®	Profibus®	Xscale®
ControlNet®	JavaPOS™	ProPrinter®	XTend-PKG™
Conxall®	LabelView™	Quencharc®	Zebra®
CRS™	LifeGuard™	Quickbooks®	ZigBee™
Cubis®	Linux®	QuickScan®	ZPL®
Datalogic QuickScan®	LoopTracker™	QuikSharp™	
Datamax-O'Neil®	Lotus™	R Stahl®	
DeviceNet™	Maxi-Scoop™	Ranger™	
Dial-O-Gram®	MaxWax™	Rapid Exchange®	
DIGI®	Microline®	Rockwell Automation®	
Discovery™	Microsoft®	Roman and Swiss™	
Dymo®	Midrics®	S4M™	
EPL®	MIFARE®	Sartorius®	
EPL2®	Minebea Intec	Scout Pro®	
EPSON®	Mobile 5.0™	SI®	
ESC/POS®	Motiontrap™	STAR®	
Excel™	Motorola ColdFire®	The Crosby Group LLC®	
Explorer®	MS-DOS™		
Fairbanks™	NatraSorb®		

The terms “buyer,” “authorized reseller,” and “customer” as used herein, shall mean the party placing the purchase order with Rice Lake Weighing Systems. No contractual relationship between Rice Lake Weighing Systems and said party shall arise until such time as a purchase order has been accepted by Rice Lake Weighing Systems and such acceptance has been indicated on a written acknowledgment. Orders shall be subject to Rice Lake Weighing Systems’ standard terms and conditions as printed below, subject to correction for clerical errors.

Any conditions stipulated by the buyer which are in contradiction to these sales terms and conditions shall only be valid if expressly acknowledged by Rice Lake Weighing Systems in writing.

## 1. Prices

(a) Rice Lake Weighing Systems (Rice Lake) prices are net 30 days Ex Works Rice Lake plants. Orders are subject to approval of our credit department with rights reserved to change or withdraw credit terms without notice and to terminate any orders when invoices for work done thereon have gone unpaid for 60 days.

(b) Prices do not include taxes of any kind by federal, state, municipality or other governmental authority, which Rice Lake may be required to collect or pay with respect to the sale or shipment of goods sold hereunder. Regardless of when any such taxes are determined or become payable, all taxes would be the responsibility of the customer and would be in addition to the prices quoted hereon.

(c) This quotation is made upon the basis of the cost of materials and labor as of the date of this quotation. A change in such costs shall give Rice Lake the right to alter prices to reflect such changes in cost.

(d) Requests for additional documentation, drawings, audits of factories or inspection of equipment in-process, additional testing, additional inspections and record retention will be quoted as a separate item even if we have already issued quotations for products and services.

## 2. Shipment, Title, Risk of Loss

(a) All shipments are Ex Works point of shipment. Title and risk of loss or damage passes to the customer upon presentation of the goods to the customer’s carrier at Rice Lake’s facility.

## 3. Quantity, Materials and Tolerances

(a) Rice Lake assumes no responsibility for loss or damage occurring by reason of delay or inability to deliver caused by fires, strikes, accidents, embargoes, car shortages, delays of carriers, insurrection, riots, acts of the civil or military authorities, nor will we assume responsibility for any reason whatever for damages of any kind on account of failure to deliver at the time specified. The customer shall indemnify and hold Rice Lake harmless from all direct and consequential costs and damages resulting from such loss or delay.

## 4. Weight Calibration Services

The uncertainty of measurement is included in the decision rule in determining pass/fail criteria of the Maximum Permissible Error (MPE).

## 5. Patents

If this quotation covers parts made specifically for the customer, the customer agrees to indemnify and hold Rice Lake harmless against any loss resulting from infringement of patents or trademarks, or from claims of such infringements and shall pay all legal and defense costs incurred by Rice Lake in the defense of such actions.

## 6. Software

Unless specifically otherwise stated, any and all software associated or part of any product sold, loaned on trial or demonstration to the customer is to be considered proprietary to Rice Lake. The customer agrees not to duplicate for distribution or to sell or distribute in any way without the prior written consent of Rice Lake.

## 7. Changes and Cancellation: Rejection, Claims

(a) Orders placed with Rice Lake are not subject to cancellation, change or reduction in amount or suspension of deliveries except with Rice Lake’s consent and upon terms that indemnify Rice Lake against loss. Unless confirmed in writing, all verbal agreements are void.

(b) Rice Lake will not be responsible for changes in design, deliveries or other instructions, unless they are furnished in writing. The customer agrees to pay for all tooling charges caused by changes in design or specifications.

(c) Samples submitted shall be deemed approved unless written rejection is received within two weeks of submission.

(d) Manufactured parts will be shipped and billed as they are produced.

(e) Claims for shortage or rejections for defects must be made within 10 days of receipt of goods. Credit will be rendered on such defective parts after we have had an opportunity to inspect them, provided they are returned to our factory, transportation charges prepaid, within 30 days, and provided they have not been altered or defaced in any way.

## 8. Tooling and Designing

(a) In consideration of the engineering service necessary in the designing of jigs, fixtures and tooling not being charged for, but being quoted on the basis of labor and material only, and not at their fair market value, such jigs, fixtures and tooling shall remain in our possession for at least one year. Thereafter, the customer desiring delivery of such jigs, fixtures and tooling shall pay an engineering charge of 50 percent of the original price of said jigs, fixtures and tooling and accept same as-is.

(b) When requested, we will submit suggestions concerning design and construction of parts, but we will not accept responsibility of liability for the practicability of these suggestions if adopted by the customer.

## 9. Delivery and Adjustment to Price

(a) If the customer requests that the goods be manufactured and shipped on a date (or dates) earlier than originally agreed to by Rice Lake and the customer, and Rice Lake agrees to the earlier date (or dates), any increase in the cost of performance incurred by Rice Lake resulting from earlier manufacture and shipment will be included in an adjustment of the purchase price to be made by Rice Lake and will be paid by the customer.



# Terms and Conditions

(b) Should shipments be held beyond scheduled date for convenience of the customer, goods will be billed and charges will be made for warehousing, trucking and other expenses incident to such delay. Reasonable and sufficient care is taken by Rice Lake in crating its goods. Rice Lake cannot be held responsible for breakage after having received “in-good-order” receipts from the transportation carrier. All claim for loss and damage must be made by the customer to the carrier, but we will assist insofar as practical in securing satisfactory adjustment of such claims.

## 10. Payment and Liens

(a) All invoices shall be due and payable when submitted for payment in accordance with the revisions of Rice Lake terms. No withholding of funds, back charges or credits against amounts otherwise due to Rice Lake will be permitted unless specifically agreed to in writing by Rice Lake. Settlement of any amounts due to the customer will be negotiated as separate items and not as offsets against amounts otherwise due to Rice Lake from the customer for products sold hereunder.

(b) Any unpaid account for work done shall constitute a lien on any jigs, fixtures, manufactured parts and raw materials in Rice Lake possession. In the event any account remains open and unpaid for 90 days, Rice Lake reserves the right to use the customer’s jigs and fixtures to make parts therefrom, and to sell or dispose of manufactured parts and raw materials.

(c) The customer shall not assign or transfer any rights or obligations arising from this proposal, or monies payable thereunder, without the prior written consent of Rice Lake, and any such assignment or transfer made without such written consent shall be deemed null and void.

## 11. Additional Provisions

(a) Errors—stenographic and clerical errors are subject to correction.

(b) These terms and conditions constitute the entire contract between the customer and Rice Lake, transcending any oral arrangements or representations which may be inconsistent therewith.

(c) This quotation is made under and shall be governed by the laws of the state of Wisconsin.

## 12. Resale of Rice Lake Weighing Systems Products

In order to ensure compliance with the U.S. Export Administration Regulations we ask you to comply with the following:

(a) The customer shall not export or re-export Rice Lake Weighing Systems products, either directly or indirectly, in contravention of any applicable law, statute or regulation and will first obtain any required licenses or authorizations from the relevant government authority when necessary as prescribed by law.

(b) The customer confirms that it is familiar with and complies with the relevant national and international export control regulations and embargo regulations. The customer furthermore confirms that it is in particular familiar with and complies with the U.S. Department of Commerce, Export Administration Regulations; U.S. Department of Treasury, OFAC Sanctions; the U.S. Department of Defense, ITAR requirements and the U.S. Department of State regulations.

(c) If deemed necessary, Rice Lake Weighing Systems, in individual cases may make further requests from the customer for information required for export compliance.

(d) Should it be necessary for the customer to obtain an export license from the appropriate authorities pursuant to the aforementioned regulations, the customer shall apply for such a license autonomously and at their own expense.

**The foregoing warranties are exclusive and in lieu of all other express and implied warranties whatsoever, including but not limited to implied warranties of merchantability and fitness for a particular purpose. Rice Lake shall not be subject to any other obligations or liabilities whatsoever with respect to parts manufactured or supplied by Rice Lake or services rendered by it.**

**Anything herein to the contrary notwithstanding, Rice Lake shall not be liable for incidental and consequential damages, and in substitution for all remedies which the customer may have under any applicable law. The customer’s sole and exclusive remedy against Rice Lake for any breach of warranty or any other breach relating to goods delivered pursuant hereto shall be for repair or replacement (at Rice Lake’s option) of the goods or parts effected by such breach.**

## Warranties

### Standard Product Limited Warranty

Rice Lake Weighing Systems (Rice Lake) warrants that all Rice Lake brand equipment and systems properly installed by an Authorized Reseller or original equipment manufacturer (OEM) will operate per written specifications as confirmed by the authorized reseller/OEM and accepted by Rice Lake. All systems and components are warranted against defects in materials and workmanship for one (1) year from the date of shipment from Rice Lake, unless otherwise stated in the product catalog or manual. Rice Lake warrants that the equipment sold here under will conform to the current written specifications authorized by Rice Lake. Rice Lake warrants the equipment against faulty workmanship and defective materials. If any equipment fails to conform to these warranties, **Rice Lake will, at its option, repair or replace such goods returned within the warranty period subject to the following conditions:**

Upon discovery by the Customer of such nonconformity, Rice Lake will be given prompt written notice with a detailed explanation of the alleged deficiencies.

Individual electronic components returned to Rice Lake for warranty purposes must be packaged to prevent electrostatic discharge (ESD) damage in shipment. Packaging requirements are listed in the publication, “Protecting Your Components From Static Damage in Shipment,” available from the Rice Lake Equipment Return Department.

Examination of such equipment by Rice Lake confirms that the non-conformity actually exists, and was not caused by accident, misuse, neglect, alteration, improper installation, improper repair, or improper testing. Rice Lake shall be the sole judge of all alleged non-conformities.

# Warranty and Limitation of Liability

Such equipment has not been modified, altered, or changed by any person other than Rice Lake or its duly authorized repair agents.

Cutting the load cell cable will void the warranty.

Rice Lake will have a reasonable time to repair or replace the defective equipment. The Customer is responsible for shipping the product to Rice Lake. Rice Lake is responsible for shipping the product back to the Customer.

In no event will Rice Lake be responsible for travel time or on-location repairs, including assembly or disassembly of equipment. Nor will Rice Lake be liable for the cost of any repairs made by others.

On all intrinsically safe equipment, any field repair or modifications voids any and all warranties expressed or implied and void F.M. approval.

Any loose hardware, screws, washers or non-ESD bags of hardware stored inside indicator will void warranty. This could cause harm to repair technician or damage CPU board.

If just the board is sent in for repair, the serial number of the product the board is from should accompany the board.

**These warranties exclude all other warranties, expressed or implied, including without limitation warranties of merchantability or fitness for a particular purpose. Neither Rice Lake nor the authorized reseller will, in any event, be liable for incidental or consequential damages at the point of use. Rice Lake and the Customer agree that Rice Lake's sole and exclusive liability here under is limited to repair or replacement of such goods. In accepting this warranty, the Customer waives any and all other claims to warranty.**

**Should the seller be other than Rice Lake, the Customer agrees to look only to the seller for warranty claims.** No terms, conditions, understanding, or agreements purporting to modify the terms of this warranty shall have any legal effect unless made in writing and signed by a corporate officer of Rice Lake and the Customer.

## Carrier Product Damage

As part of our commitment to customer satisfaction and in accordance with ISO 9001 standards, we make every attempt to pack our products so they will arrive in new condition. Occasionally due to rough handling or carelessness of carrier, product may arrive in a damaged condition. When this happens, don't assume that the shipment left Rice Lake in that condition or that the original packing was not sufficient.

The receiver, whether it is the authorized reseller or their Customer, is responsible for making a notation of damaged or missing items when signing the carrier's delivery receipt. If you or your Customer are not sure whether there is damage, we suggest adding a statement "CONDITION UNKNOWN" to the delivery receipt. In the event that damage or missing items are not properly documented at time of receipt, the carrier is relieved of responsibility and the receiver is then responsible for the cost to get the product back to new condition.

After the damage or shortage has been properly noted with the carrier, contact Rice Lake immediately and keep all the original packaging material for inspection by the carrier's representative. It is also helpful in the claim process to take pictures of the condition of the packaging and damage.

When drop-shipping items to your Customers, it is imperative that you advise them of their responsibility in accepting shipments from common carriers. Even if the equipment is not expected to be installed or used for a period of time, the shipment must be inspected at time of receipt in order to preserve their rights for making a claim.

## Custom Software Limited Warranty

Rice Lake Weighing Systems (Rice Lake) warrants that (a) the software will perform in accordance with the specification and accompanying written endorsement by the Customer for a period of 90 days from the date of receipt; (b) any hardware accompanying the software will be free from defects in materials and workmanship under normal use and service for a period of one (1) year from the date of shipment from Rice Lake; and (c) the Customer should perform inspection and testing of software products prior to installation.

This limited warranty is void if failure of the software or hardware has resulted from accident, abuse, misapplication, or incorrect Customer specification. Any replacement software will be warranted for the remainder of the original warranty period or 30 days, whichever is longer.

If the software fails to conform to these warranties, Rice Lake will, at its option, repair or replace such goods returned within the warranty period subject to the following conditions:

Upon discovery by the Customer of such nonconformity, Rice Lake will be given prompt written notice with a detailed explanation of the alleged deficiencies.

Examination of software by Rice Lake confirms that the nonconformity exists, and was not caused by accident, misuse, neglect, alteration, improper installation, improper repair, improper testing, or incorrect Customer specification. Rice Lake shall be the sole judge of all alleged non-conformities.

Rice Lake will have a reasonable time to repair or replace the software. The Customer is responsible for shipping charges both ways.

In no event will Rice Lake be responsible for travel time or on-location repairs, including assembly or disassembly of equipment. Nor will Rice Lake be liable for the cost of any repairs made by others.

**These warranties exclude all other warranties, expressed or implied, including without limitation warranties of merchantability or fitness for a particular purpose. Neither Rice Lake nor the authorized reseller will, in any event, be liable for incidental or consequential damages at the point of use.**

**Rice Lake and Customer agree that Rice Lake's sole and exclusive liability here under is limited to repair or replacement of such goods. In accepting this warranty, the Customer waives any and all other claims to warranty.**

# Warranty and Limitation of Liability

Should the seller be other than Rice Lake, the Customer agrees to look only to the seller for warranty claims.

No terms, conditions, understanding, or agreements purporting to modify the terms of this warranty shall have any legal effect unless made in writing and signed by a corporate officer of Rice Lake and the Customer.

## Return Policies

Our commitment to our Customers states that if any standard product purchased from Rice Lake does not work, or if the incorrect product is shipped, **return it in its original shipping carton with all accessories in “like new” condition** for full credit or replacement within 30 days of purchase. **Electronic components returned to Rice Lake must be properly packaged to prevent electrostatic discharge (ESD) damage in shipment.** Packaging requirements are listed in the publication, “Protecting Your Components from Static Damage in Shipment,” available online or from our Returns Department. This policy and the 30-day limit also apply to any products drop-shipped directly from the manufacturer.

Please note that if an incorrect quantity of product was shipped, Rice Lake must be contacted within 10 days of the purchase. Upon notification, we will immediately correct the situation.

**A restocking charge will apply if equipment is not in like-new condition.** The restocking charge is directly proportional to the amount of time and material required to return the item to resalable condition—we will make every effort to do this quickly and economically. Equipment that has been abused and/or shows signs of excessive wear and cannot be reconditioned and resold will not be accepted for return or credit after excessive wear or has been modified.

## As Applied to Drop Shipments

All Rice Lake return guidelines apply to products drop-shipped directly from the manufacturer. If a perceived error occurs, Rice Lake will investigate to the best of our ability to determine if the error occurred prior to shipping, during shipping, or at the end user site. If our records and subsequent investigation indicate that the shipment was correct when it left our factory, our responsibility extends only to the authorized reseller, not their end user. Our standard product warranty notes that our coverage extends only to equipment and systems **properly installed by an authorized reseller.**

## Obtaining an RMA

A return authorization number (RMA) is required for all materials being returned to Rice Lake for credit. Flat rate repairs require purchase orders at time of RMA issuance. When returning equipment for repair or warranty reimbursement consideration, these simple steps will help to expedite your request:

1. Contact our Returns Department.
2. Please have your customer number and both the item description and detailed findings of product problem for repair.
3. Please have the original sales order or invoice number for items to be returned for credit or warranty.  
NOTE: See return policy
4. An RMA number will be given for eligible returns. This RMA number may also be faxed or emailed per your request.

## Return Shipments Outside the United States for Repair, Warranty, Calibration or Other Services and Re-export.

### For shipment to the USA:

1. The commercial invoice must include the following statement:
  - i. “These goods are being returned for maintenance under”
  - ii. Goods Made in the USA -- “HTS 9801.00.1012”
  - iii. Goods NOT made in the USA -- “HTS 9801.00.2500”
2. The commercial invoice must list items individually and include the fair market value of the item based on its present condition for customs purposes only.
3. Please reference original Rice Lake commercial invoice number and date item was purchased if applicable.
4. Please note that failure to follow these procedures may cause delay and will certainly incur extra charges that will NOT be absorbed by Rice Lake.

## Return Shipments Outside the United States Other Than for Repair, or Service Work Not Being Returned.

### For shipment to the USA:

1. The commercial invoice must include the following statement:
  - i. Goods Made in the USA -- “HTS 9801.00.1045”
  - ii. Goods NOT made in the USA -- “HTS 9801.00.2500”
2. The commercial invoice must list items individually and include the fair market value of the item based on its present condition for customs purposes only.
3. Please reference original Rice Lake commercial invoice number and date item was purchased if applicable.
4. Please note that failure to follow these procedures may cause delay and possible reduction in your refund.
5. Please be advised that you may qualify for a refund of your duties and should contact your local customs authority for instructions and forms.

## Special Order, Modified, Non-Catalog, or Non-Stock Items

Due to the added resources and difficulty in reselling special or non-standard products, returns or credit are not allowed for special order equipment, special software programs, equipment physically modified or altered in the field, discrete electronic components, relays, manuals, or opened software packages.

## Calibration Test Weights

All weights returned for credit will be assessed a restocking charge because of the required inspection and verification. Credit is not allowed for serialized weights, calibration or traceable services performed on weights.

### Calibration Test Weights

No returns will be accepted for items that are specifically modified for the Customer’s requirements. Examples of such modifications may include, but not necessarily limited to:

1. Weights that have been specifically built to the customer’s specifications.
2. Standard product specifically modified to the customer’s specifications.
3. Standard product engraved with serial numbers at the customer’s request.

# Warranty and Limitation of Liability

4. Laboratory procedure charges.
5. Laboratory documentation fees.

## Balances

Balances returned for credit within 30 days of purchase may be subject to a restocking fee if assessed by balance manufacturer.

### Balance Repair Policy and Rates

We offer repair support on the following balance models:

- All Rice Lake brand models: Once we receive the equipment and the RMA form, an estimate will be prepared.

A minimum charge of one hour will apply. All balance repairs are covered by a 90-day limited warranty on parts and workmanship performed and noted under the scope of the specific repair.

Balances must be packaged to adequately protect them from damage in transit. Please refer to “How to Prepare a Balance for Shipment” available on our website and from our Returns Department.

### How to Prepare a Balance for Shipment

The best and most effective method for shipping a balance at any time and for any reason is to use the original manufacturer’s packaging materials and subsequently double box it as described below. Teach your Customers to retain the packing set. Please remember that due to the nature of the equipment, new packaging materials can be very expensive.

In the event that the original manufacturer’s packaging materials are not available, follow these instructions for top loading balances.

1. Remove the weighing platform cover, support buttons, weighing platform, floor plate and other devices installed in the weighing chamber. Pack these pieces individually in bubble wrap and tape the wrapping closed. Follow this same procedure for AC adapters and power cords. Please note that AC adapters and power cords are necessary to adequately evaluate the problem.
2. Examine the device (refer to the operating instructions) and if necessary, re-install or tighten any shipping screws/retaining devices to prevent damage to the weighing mechanism during shipment.
3. If the floor plate is not removable, ensure it is securely in place and cannot come loose during shipment, even if the balance is inverted. Do NOT invert the balance to test the security of the floor plate.
4. Clean the device of any loose debris or potential contaminants to our testing facility.
5. Prepare and sign a Statement of Decontamination (form #0679). This form MUST be included in a separate packing list envelope on the outside of the box with the “Statement of Decontamination Form” statement clearly visible.
6. Using Scotch tape or “speed” tape, tape all the glass doors on the device CLOSED. Be sure the tape is securely affixed and will not come off during shipment. Please note that on some devices, the glass breeze-break around the weighing chamber can actually be disassembled and packed separate prior to shipment. Refer to the manufacturer’s operating

instructions. If this is a feature of the device being return, disassemble the breeze break and pack it in its own packing material and box.

7. Use a large box that will provide a minimum of 3 inches of space around the device for loose-fill packing material.
8. Place a padding of foam or Styrofoam (at least 1inch thick) at the bottom of the box.
9. Place the balance in a large plastic bag and seal the bag closed.
10. Please put the device on top of the foam padding or Styrofoam from step 8 above.
11. Ensure that there is at least three inches of clearance between the top of the balance and the top of the box.
12. Using generous amounts of anti-static loose-fill packing material, fill all the spaces around the balance. Shake the box to cause the material to settle and add additional loose fill as necessary.
13. Place the small box containing all the items from step 1 above on top of the loose fill covering the balance. Add additional loose fill to completely cover all items within the box.
14. Double pack this box in another box that will again provide an additional two inches of space around the inner box. Fill all existing space between the inner and outer box with copious amounts of anti-static loose fill packing material.
15. Seal the box and include all the necessary documentation on the outside of the box. Don’t forget the Decontamination Form (form #0679) from step 5 above.

## Repair Service Policies

Our Service Department is staffed Monday through Friday from 6:30 A.M. to 6:30 P.M., and Saturday from 8:00 A.M. to noon, Central time. For those utilizing the conveniences of the internet, we have an e-mail address dedicated to technical support. Please contact Rice Lake at [service@ricelake.com](mailto:service@ricelake.com) for answers to your technical questions and the status of repair products during normal business hours.

We provide quality and timely repairs for the products we sell. Flat rate repair is offered for selected models of indicators, printers and remote displays. Prior to returning a product for repair, our returns department will work with you to determine some key factors that will help Rice Lake better serve you. Please provide the following via phone to extensions 5348 or an RMA form.

# Warranty and Limitation of Liability

- Customer Number: Without a customer number we cannot issue an RMA number.
- Ship-to Address: Your customer number will bring up the bill-to address. You must inform Rice Lake of the ship-to address if it's different than the bill-to address.
- **Original sales and invoice orders: Required on warranty claims.**
- Freight Type: Unless stated otherwise, we ship the device back to you utilizing the same freight type in which we received it. If Rice Lake is responsible for freight charges, the carrier will be selected at the sole discretion of Rice Lake.
- **Definition of Product and Problem: Please provide as much detail as possible regarding the type of product, application and problem.**
- Purchase Order Number for Flat Rate Repair: Once we receive the equipment and the RMA, equipment for flat rate repair will be processed immediately. Other equipment will be evaluated and a minimum evaluation charge will apply (contact the factory for exact pricing).

You may be asked about the possibility of a new replacement product. It may be in your customer's best interest to explore the option of purchasing a new product if the repair will exceed 50 percent of authorized reseller net price, since new products carry full-warranty benefits.

Please note our hourly service rate on all current Rice Lake products. Contact the factory for exact pricing. There is a 120-day limited warranty on parts and workmanship performed and noted under the scope of the specific repair.

## California Proposition 65

### Rice Lake Weighing Systems Statement

Proposition 65 requires businesses to inform Californians about exposures to chemicals that are known to cause cancer, birth defects or other reproductive harm. These chemicals may be in the products you purchase, or they may be exposed to you at home, at the workplace or within the environment. Proposition 65 enables Californians to make informed decisions about their exposures to these chemicals.

Rice Lake Weighing Systems wants to be proactive in regards to Proposition 65 and provide information about the products we produce, distribute and use to manufacture equipment we sell.

We are providing this warning based on the knowledge that one or more chemicals included in the California Proposition 65 list known to cause cancer, birth defects or other reproductive harm may be present in Rice Lake Weighing Systems products and workplaces.



**WARNING:** Chemicals listed in California Proposition 65 known to cause cancer, birth defects or other reproductive harm may be present only in trace amounts or contained within Rice Lake Weighing Systems products and proper encapsulation equipment. This warning is provided out of an abundance of caution to enable you to be an informed consumer.

More information about California Proposition 65 can be found at [www.P65Warnings.ca.gov](http://www.P65Warnings.ca.gov)



# Automated Ticketing

## TABLE OF CONTENTS

<b>1280 Kiosk</b> .....	<b>78</b>
<i>Automated Truck Scale System</i>	
<b>Weigh Out/Printer Kiosk</b> .....	<b>79</b>
<i>Automated Truck Scale System</i>	
<b>Weigh/Check In Kiosk</b> .....	<b>80</b>
<i>Automated Truck Scale System</i>	
<b>Printer Kiosk</b> .....	<b>80</b>
<i>Direct Thermal Printer Kiosk</i>	
<b>Printer Kiosk</b> .....	<b>81</b>
<i>Thermal-transfer Printer Kiosk</i>	
<b>OnTrak® Enterprise</b> .....	<b>82</b>
<i>Truck Data Management Software</i>	
<b>OnTrak®</b> .....	<b>83</b>
<i>Truck Data Management Software</i>	
<b>Kiosk Safety Swing-away Arm</b> .....	<b>84</b>
<i>Self Centering Kiosk Mount</i>	
<b>Vehicle Loop Detector</b> .....	<b>86</b>
<b>EMX Lite Preformed Loops®</b> .....	<b>86</b>
<b>RFID</b> .....	<b>87</b>
<i>TransCore® SmartPass®</i>	
<b>Multiprotocol Rail Reader and Parapanel Antenna</b> .....	<b>87</b>
<b>RFID Access Tags</b> .....	<b>88</b>
<b>RFID Transportation Tags</b> .....	<b>88</b>
<b>HID RFID Cards</b> .....	<b>89</b>
<b>HID RFID Readers</b> .....	<b>89</b>
<b>Remote HID Box</b> .....	<b>90</b>
<b>HID Long Range Readers</b> .....	<b>90</b>
<b>TagMaster CT-45</b> .....	<b>91</b>
<i>Network IP Camera with License Plate Recognition (LPR)</i>	
<b>Vivotek IP8361</b> .....	<b>91</b>
<i>Network IP Outdoor Camera</i>	
<b>Photo Eyes</b> .....	<b>92</b>
<b>Traffic Light Kits</b> .....	<b>93</b>
<b>Scale Intercom</b> .....	<b>94</b>
<b>Ethernet Serial Servers</b> .....	<b>94</b>

Product names, logos, brands and other trademarks featured or referred to within this publication are the property of their respective trademark holders.

# 1280 Kiosk

Automated Truck Scale System



Shown with optional features

## Standard Features

- 12-inch 1280 color touchscreen
- Stainless steel or mild steel enclosure
- 1,500 NIT display
- Two serial ports RS-232 or RS-485/422
- Operator prompting
- Formattable tickets
- Transmits weight to remote display
- 120 or 220 VAC
- 460 MB onboard database
- Ethernet TCP/IP (wired and Wi-Fi)
- Web server
- Direct thermal printer
- Internal heater
- Slide door access to ticket
- Works with standard 1280 programs - customization available
- One-year warranty

## Optional Features

- A/D cards
- RFID reader
- Gate control
- Loop detector input
- QWERTY keyboard
- 12-key keypad
- Credit card reader (US and Canadian currency)
- Stop/Go remote display traffic light control

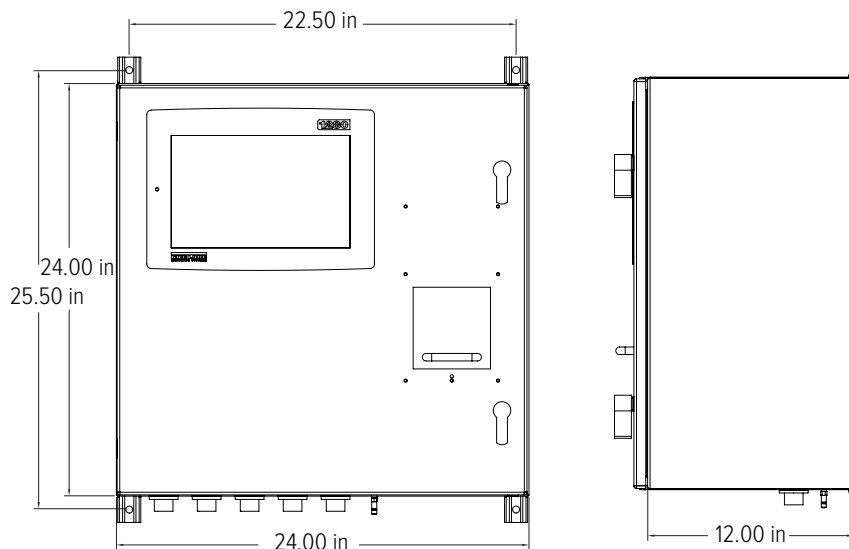
AUTOMATED TICKETING

## Part Numbers/Price

Part#	Description	Price
199512	ATS Kiosk, 1280 Kiosk TOP 12 inch with 1500 NIT Display, Painted MS Enclosure, Thermal Printer, With Printer Slide Door Access and Basket, Heater 115VAC, No A/D	\$8,215.00
218355	ATS Kiosk, 1280 Inbound 12 inch with 1500 NIT Display, Painted MS Enclosure, NO A/D, 115 VAC	\$7,195.00

## Options/Accessories

Part #	Description	Price
176452	HID smart card reader	\$695.00
119693	200 watt heater	\$925.00
119761	Ethernet unmanaged switch, five port	\$315.00
196709	Kiosk option, A/D single-channel, includes DIN rail and terminals	\$665.00
196710	Kiosk option, A/D dual-channel, includes DIN rail and terminals	\$765.00
119946	Single port Ethernet server	\$485.00
120040	Dual port Ethernet server	\$675.00
33490	Relay rack four-channel Opto 22 style with screws	\$125.00
21159	Internal transient protection	\$245.00



# Weigh Out/Printer Kiosk

Automated Truck Scale System



Shown with optional features

## Standard Features

### Weigh Out/Printer Kiosk

- 920i® HMI with sun shield
- Six serial ports
- 1 MB database memory
- Two option slots
- Slide door access to ticket
- 8-in paper roll
- Operator prompting
- Formattable tickets
- Transmits weight to remote display
- Stop/Go remote display traffic light control
- Direct thermal kiosk printer
- One-year warranty

### Weigh Out/Printer Kiosk Options

- Ethernet TCP/IP (wired and Wi-Fi options available)
- Single or dual channel A/D cards
- RFID reader
- Currency acceptor (US currency only)
- Internal heater
- Gate control
- Loop detector output
- Automated traffic light control
- Credit card reader (US and Canadian currency)

### Consult for the following options

- Stainless steel enclosure
- Bar code badge scanner
- 230 VAC

## Part Numbers/Price

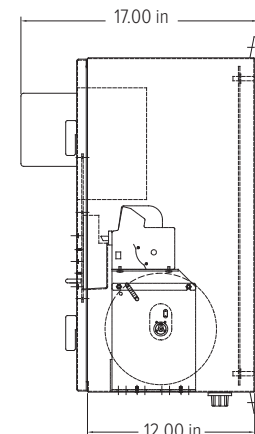
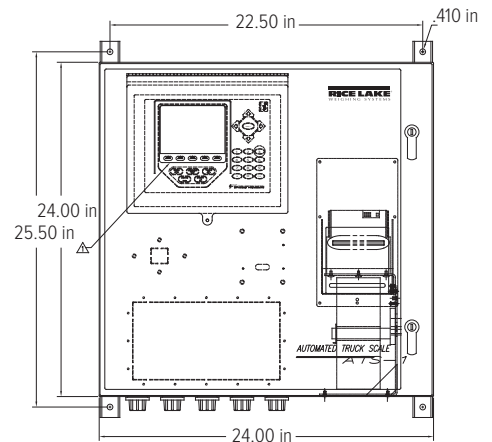
Part #	Description	Price
119687	Weigh out kiosk with 920i® HMI and thermal kiosk printer, 24 × 24 × 12 in painted mild steel enclosure, A/D not included	\$6,695.00

## Options/Accessories

Part #	Description	Price
119691	Vandal-proof 12-key keypad	\$505.00
176452	HID smart card reader	\$695.00
119692	88 key, panel mount Qwerty style keyboard	\$875.00
119693	200 watt heater	\$925.00
119761	Ethernet unmanaged switch, five port	\$315.00
119689	Kiosk option, A/D single-channel, includes DIN rail and terminals	\$395.00
119690	Kiosk option, A/D dual-channel, includes DIN rail and terminals	\$575.00
119946	Single port Ethernet server	\$485.00
120040	Dual port Ethernet server	\$675.00
33490	Relay rack four-channel Opto 22 style with screws	\$125.00
21159	Internal transient protection	\$245.00

## Replacement Parts

Part #	Description	Price
105445	Paper 6 in OD, one ply thermal 80 mm (3.1 in) 710 ft/roll	\$30.00
105446	Paper 8 in OD, one ply thermal 80 mm (3.1 in) 1268 ft/roll	\$32.50
54215	3.15 amp 250V Slo Blo 5 x 20 mm kiosk power input fuse	\$5.00
160025	Power supply, IDEC 12V - 30W	\$185.00
88792	Power supply, IDEC 12VDC - 15W	\$140.00
88793	Power supply, IDEC 24VDC - 30W	\$230.00
72682	Network protection, surge	\$80.00
69201	RS-232 protection, TP232	\$187.00
181230	Serial kiosk printer kit (includes printer, bracket assembly, power supply and cables)	\$1,635.00
191359	Ethernet kiosk printer kit (includes printer, bracket assembly, power supply and cables)	\$1,695.00
179762	Direct thermal replacement RS232 printer, kiosk 80 mm DTL	\$1,175.00
203720	Direct thermal replacement TCP/IP printer	\$1,325.00



AUTOMATED  
TICKETING

# Weigh/Check In Kiosk

Automated Truck Scale System

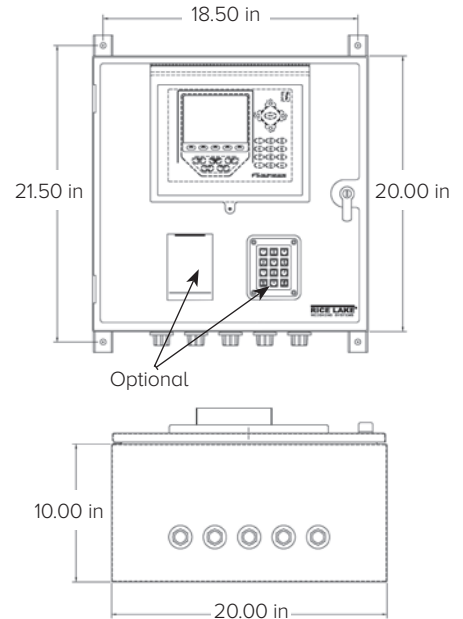


Shown with PN 176452

## Standard Features

### Weigh/Check In Kiosk

- 920i® HMI with sun shield
- Four serial ports
- 120 VAC
- Two option slots for 920i option cards
- One-year warranty



## Part Numbers/Price

Part #	Description	Price
153353	Check-in kiosk with 920i HMI, 20 × 20 × 12 in painted mild steel enclosure	\$4,315.00

## Options/Accessories

Part #	Description	Price
119691	Vandal-proof 12-key keypad	\$505.00
176452	HID smart card reader	\$695.00
119692	88 key, panel mount Qwerty style keyboard	\$875.00
119693	200 watt heater	\$925.00
119761	Ethernet unmanaged switch, five-port	\$315.00
119689	Kiosk option, A/D single-channel, includes DIN rail and terminals	\$395.00
119690	Kiosk option, A/D dual-channel, includes DIN rail and terminals	\$575.00
119946	Single port Ethernet server	\$485.00
120040	Dual port Ethernet server	\$675.00

# Printer Kiosk

Direct Thermal Printer Kiosk



PN 112836

## Standard Features

### Direct Thermal Printer Kiosk

- Custom America VKP80II receipt printer
- Slide door access to ticket
- 8 in paper roll
- 1 year warranty

## Specifications

### Line Voltages:

115 or 230 VAC

### Frequency:

50/60 Hz

### Power Consumption:

0.5 amps (depending on options)

### Fusing:

3.15 amps circuit breaker

### Humidity:

0 to 95% relative humidity

### Printer Communication Ports:

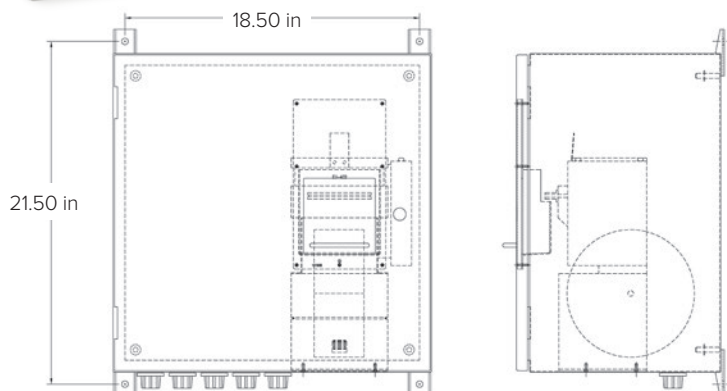
RS-232 or Ethernet

### Storage Temperature:

14 °F to 158 °F (-10 °C to 70 °C)

### Warranty:

One-year limited





# Printer Kiosk

## Thermal-transfer Printer Kiosk



Basic printer kiosk with optional RFID card reader and optional number keypad

Basic printer kiosk with optional RFID card reader



Basic printer kiosk PN 92971

### Standard Features

#### Printer Kiosk with Ethernet Intercom

- Digital Acoustics Ethernet TCP/IP intercom substation

- Custom America VKP80III direct thermal printer

#### Thermal-transfer Printer Kiosk

- Painted mild steel enclosure
- Slide door access to ticket
- Zinc-plated 3/4-inch NPT conduit hubs
- Additional options available upon request

Note: Printer, thermal transfer ribbon and card stock sold separately

### Specifications

#### Line Voltages:

115 or 230 VAC

#### Frequency:

50/60 Hz

#### Power Consumption:

0.5 amps (depending on options)

#### Fusing:

6 amp circuit breaker

#### Humidity:

0 to 95% relative humidity

#### Printer Serial Ports:

RS-232

Ethernet (optional)

#### Storage Temperature:

14 °F to 158 °F (-10 °C to 70 °C)

#### Current Supported Riser Plates:

Zebra® 140XIIIPlus

Zebra 105SL

Zebra R110Xi

Zebra Z4Mplus

Zebra 2746e

Honeywell 4206

Honeywell I-4212

Intermec/Honeywell 3400e

Intermec/Honeywell 4440

#### Warranty:

One-year limited

AUTOMATED  
TICKETING

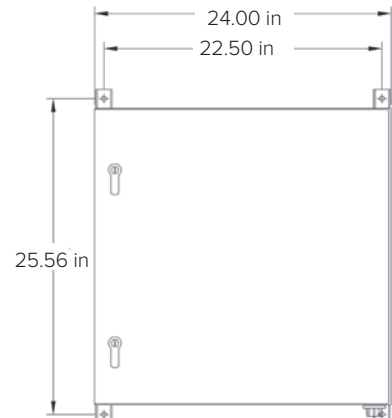
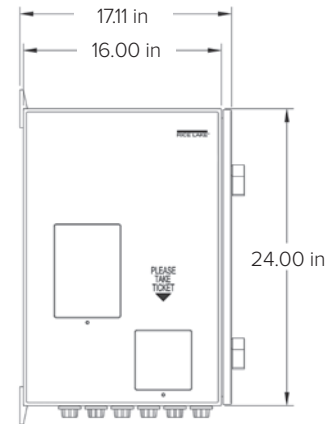
### Part Numbers/Price

Part #	Description	Price
92971	Printer kiosk, inbound base unit 115 VAC (printer not included)	\$3,355.00
112836	Printer kiosk, thermal ticket printer 20 × 20 × 12 in painted mild steel enclosure	\$4,195.00
193639	Printer kiosk, thermal ticket printer (Ethernet), 20 × 20 × 12 in painted mild steel enclosure	\$4,355.00

A test plan is included with each kiosk.

### Options/Accessories

Part #	Description	Price
119693	200 watt heater	\$925.00
119761	Ethernet unmanaged switch, five-port	\$315.00
119946	Single port Ethernet server	\$485.00
120040	Dual port Ethernet server	\$675.00
93463	Printer riser plate for Honeywell I-4212e	\$315.00
93468	Printer riser plate for Intermec/Honeywell 3400e	\$315.00
176452	HID smart card reader	\$695.00
131143	Honeywell I-4212e, direct thermal RS-232, parallel and USB	\$1,595.00
64884	Thermal transfer option Honeywell	\$133.00
131150	Ethernet option Honeywell	\$365.00
53918	Cutter option Honeywell	\$798.00
109298	Tag, direct thermal, 4 in wide, 7.2 pt continuous 480 ft roll	\$51.00
179762	Direct thermal replacement RS232 printer, kiosk 80 mm DTL	\$1,175.00
203720	Direct thermal replacement TCP/IP printer	\$1,325.00
Consumables		
105445	Paper roll 6 in OD, one ply thermal 80 mm (3.1 in) 710 ft per roll	\$30.00
105446	Paper roll 8 in OD, one ply thermal 80 mm (3.1 in) 1268 ft per roll	\$32.50
89190	TT Tag stock 4 in wide, 7.5 pt continuous 400 ft roll	\$46.25
34056	Transfer ribbon, 4 in wide GPR Plus black 1181 ft roll	\$30.50



# OnTrak® Enterprise

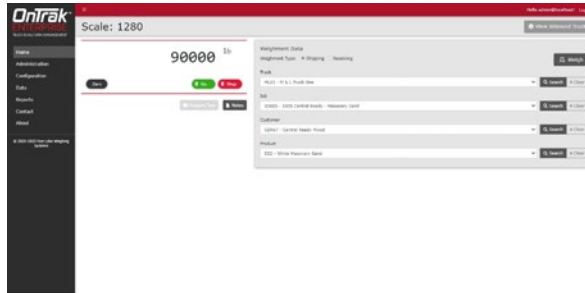
Truck Data Management Software



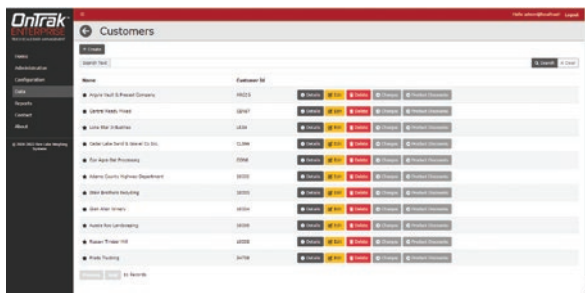
# OnTrak® ENTERPRISE

TRUCK SCALE DATA MANAGEMENT

AUTOMATED  
TICKETING



Weigh Screen



Customer Screen Main

## Approvals



pending

## Part Numbers/Price

Part #	Description	Price
218502	OnTrak Enterprise Base Software	\$3,495.00
<b>Modules</b>		
218503	License, Kiosk Module OnTrak Enterprise	\$795.00
218504	License, API Module OnTrak Enterprise	\$695.00
218505	License, Image Capture Module OnTrak Enterprise	\$695.00
218506	License, LPR Module OnTrak Enterprise, License Plate Recognition	Consult
<b>Annual Maintenance Agreements (AMA)</b>		
218507	OnTrak Enterprise AMA for Base Software	\$699.00
218508	OnTrak Enterprise AMA for Kiosk Module	\$159.00
218509	OnTrak Enterprise AMA for API Module	\$139.00
218510	OnTrak Enterprise AMA for Image Capture Module	\$119.00
218511	OnTrak Enterprise AMA for LPR Module	Consult

Note: Annual Maintenance Agreements (AMA) are required. Billable after year two.

## Options/Accessories

Part #	Description	Price
Consult	Non-Rice Lake indicator interface	\$295.00
Consult	Custom reports	\$245.00/hour
104789	Phone Support, one hour	\$145.00

## Standard Features

- Comprehensive transaction management
- Unlimited charge and discount amounts per product
- Calculates tax
- Ship or Receive mode for each transaction
- Assign one of four security levels to each user
- Exclusive databases for customer, hauler, truck, product, job, price/discount, tax and transaction
- Filter reports to view relevant information
- Customize printed tickets
- Back up and restore via SQL Server Management Studio available through Microsoft
- Software supports unlimited number of scales, number of scales supported is dependent on user's hardware
- Website for remote access, systems integration and data monitoring (SSL certificate required for publishing website to internet)
- A supported web browser (Google® Chrome®, Microsoft® Edge®, Mozilla® Firefox® or Apple® Safari®)

## Optional Features

- 1280 kiosk interface
- REST API
- Image capturing\*
- License plate recognition\*

## Specifications

### Systems Requirements:

Windows® 10 or newer (x64 systems)

### Databases:

10 GB max database size when using included Microsoft SQL Server Express

\*Unlimited database size when using a purchased edition of Microsoft SQL Server (required when using image capturing or license plate recognition)

### Communications:

Supports all Rice Lake indicator interfaces and 1280 based Automated Ticketing Kiosks  
Optional drivers available for non-Rice Lake weight indicators (Ethernet TCP/IP required)

### Transaction Ticket:

User defined ticket formatting

### Export Data:

File export of completed transactions via: XML, JSON, CSV or TXT

### Software Support:

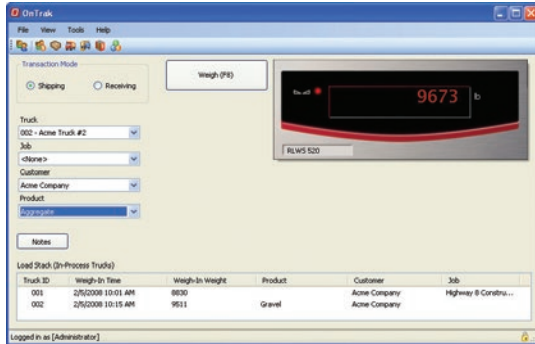
Database configuration, field installation and training available  
Phone support packages available  
Contact Rice Lake for further options

### Approvals:

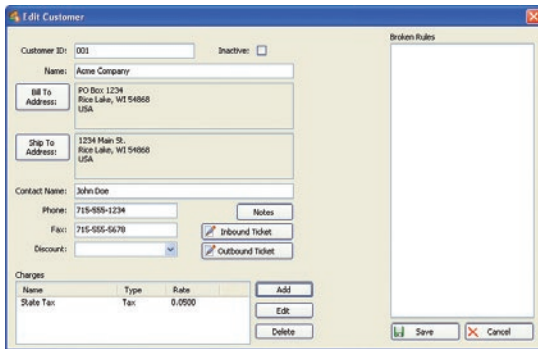
NTEP 05-107 (pending)

# OnTrak®

TRUCK SCALE DATA MANAGEMENT



Weigh Scale



Customer Account Information

Approvals



Part Numbers/Price

Part #	Description	Price
104787	OnTrak activation code	\$1,495.00
101062	OnTrak CD-ROM	\$84.00

OnTrak trial at [www.ricelake.com/ontrak](http://www.ricelake.com/ontrak)

Options/Accessories

Part #	Description	Price
Consult	Non-Rice Lake indicator interface	\$245.00
Consult	Custom reports	\$243.00/hour
Consult	Database configuration	\$243.00/hour
FLD-INSTALL	Field installation	\$1,395.00/weekday plus expenses
104789	Phone support, one hour	\$145.00
101003	Additional OnTrak manual	\$65.00

Standard Features

- Supports systems using Windows® 10 and newer
- Microsoft SQL Server Express client/server database (free edition)
- Comprehensive report filters
- User and administrator roles
- Back up and restore via SQL Server Management Studio freely available through Microsoft
- Unlimited charge/discount per product
- Ship or Receive mode for each transaction
- Exclusive database for: customer, hauler, truck, product, job, price/discount, tax, transaction
- Ethernet TCP/IP or RS-232 connectivity
- Supports VIRTUi/VIRTUi2® or Rice Lake weight indicators
- CSV transaction file export
- Supports one or two scales

Optional Features

- Image capture with Ethernet camera TCP/IP (requires SQL Server Standard or better through Microsoft)
- Interface to non-Rice Lake weight indicators
- Custom reports
- Database configuration
- Field installation and training
- Factory phone support

Specifications

System Requirements:

Windows® 10 and newer (x64 systems)

Databases:

10 GB max database size when using included Microsoft SQL Server Express  
 Unlimited database size when using a purchased edition (contact Microsoft for details on purchasing a licensed edition of SQL Server)

Communications:

Support for multiple printers  
 Supports all Rice Lake indicator interfaces  
 Supports VIRTUi/VIRTUi2 interface  
 920i based Automated Ticketing Kiosks  
 Optional drivers available for non-Rice Lake weight indicators

Transaction Ticket:

User defined ticket formatting

Reports:

Comprehensive report filters  
 Optional custom reports

Export Data:

File transfer via XML transaction; exported reports can be saved as PDF/XLS; configurable transaction data export in CSV file format

Transaction Calculations:

Unlimited product prices and discounts  
 Tax calculations (does not integrate directly to financial software)

Software Support:

Database configuration, field installation and training available  
 Phone support packages available  
 Contact Rice Lake for further options

Approvals:

NTEP 05-107

AUTOMATED TICKETING

# Kiosk Safety Swing-away Arm

Self Centering Kiosk Mount



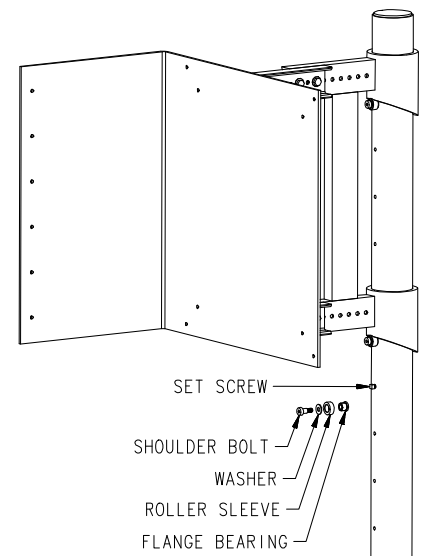
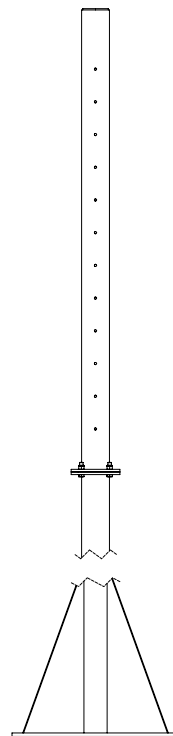
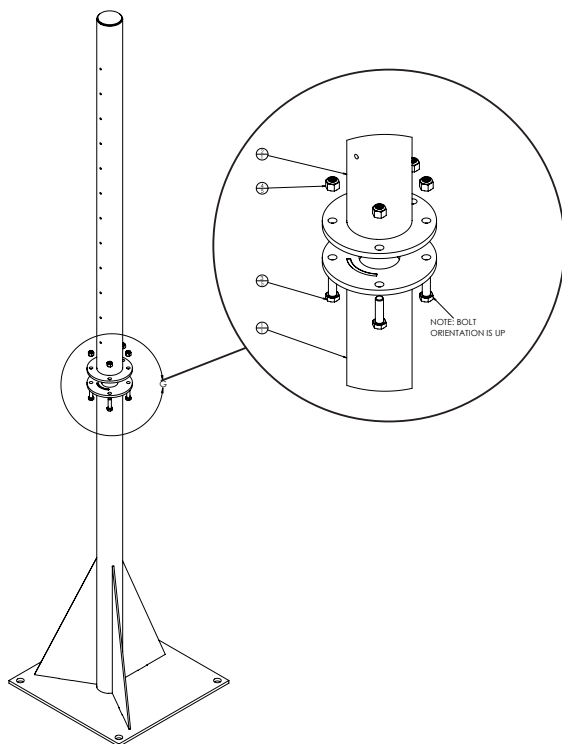
## Standard Features

- Protects kiosk from vehicle traffic
- Swings away freely and returns to center position
- Universal mount accommodates a wide variety of kiosks
- Includes mounting pole and base stand
- Adjustable vertical and horizontal mounting

AUTOMATED  
TICKETING

## Part Number/Price

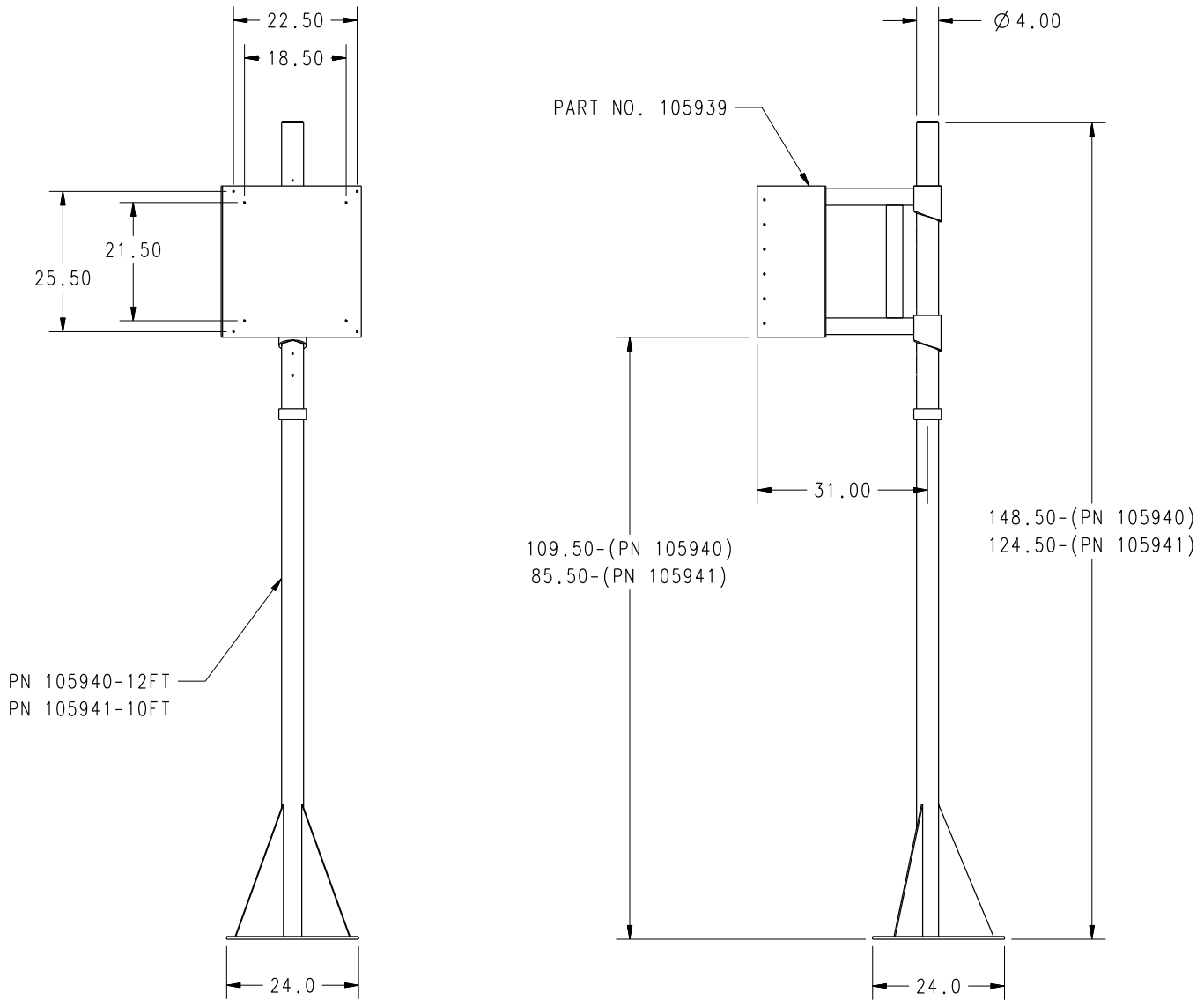
Part #	Description	Price
109164	Complete kit for pit type scale (10 ft pole, red paint)	\$1,645.00
109163	Complete kit for aboveground scale (12 ft pole, red paint)	\$1,675.00
105939	Weldment, swing arm, kiosk (red)	\$895.00
105941	Pole weldment, 10 ft supported/free standing, 4.5 in outer dimension (red paint)	\$695.00
105940	Pole weldment, 12 ft supported/free standing, 4.5 in outer dimension (red paint)	\$775.00
110606	Weldment, swing arm 24 × 24 × 16 in side discharge printer kiosk (red paint)	\$895.00
155435	Weldment, swing arm 30 × 24 × 16 in side discharge printer kiosk (red paint)	\$1,145.00
178074	Complete kit for pit type scale (10 ft pole, yellow paint)	\$1,645.00
178073	Complete kit for aboveground scale (12 ft pole, yellow paint)	\$1,675.00
178077	Pole weldment, 10 ft supported free standing 4.5 in outer dimension (yellow)	\$695.00
178076	Pole weldment, 12 ft supported free standing 4.5 in outer dimension (yellow)	\$775.00
178075	Weldment, swing arm kiosk (yellow)	\$895.00
160403	Mount, swing arm pole for SURVIVOR ATV truck scale	\$1,295.00



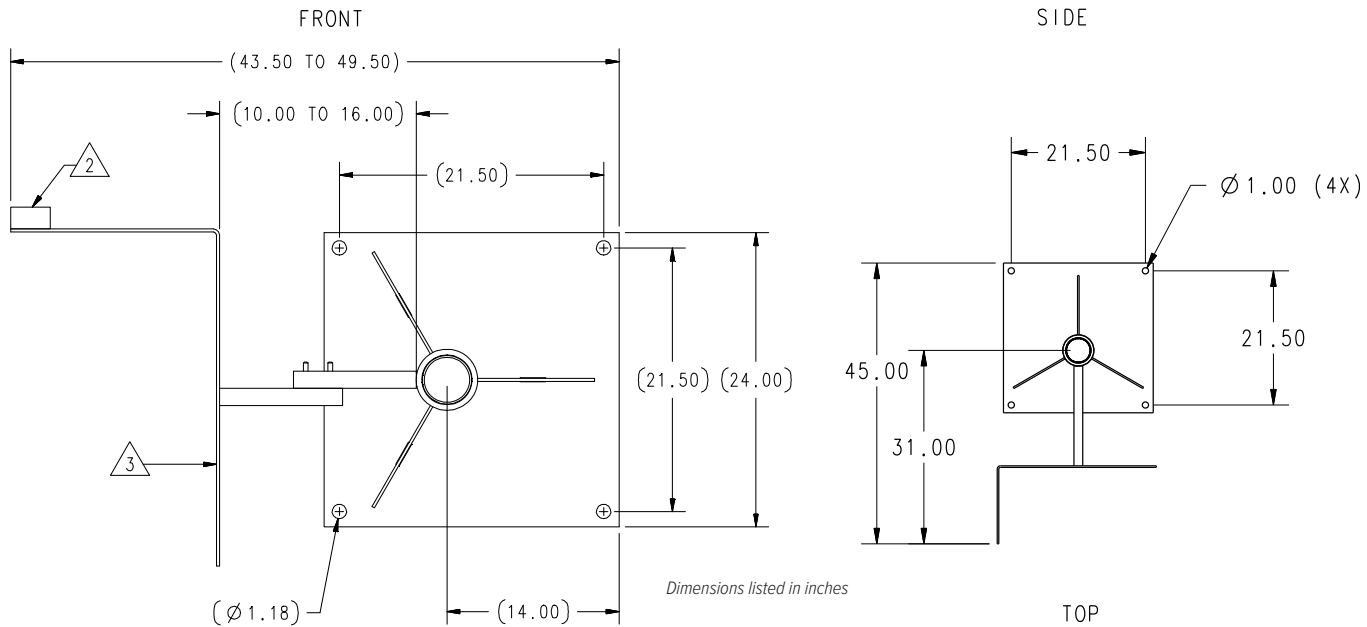


# Kiosk Safety Swing-away Arm

Self Centering Kiosk Mount



**AUTOMATED  
TICKETING**



# Vehicle Loop Detector



## Standard Features

### Vehicle Loop Detector

- Loop diagnostics
- Loop isolation transformer
- Loop conditioner
- Aluminum RF shield housing
- Surge protection
- Loop frequency counter
- 10 gold-plated sensitivity controls
- Eight gold-plated function controls
- Six gold-plated controls for frequency, reset and frequency counter
- Two high-intensity LED indicators
- Two relays—relay 2 is pulse or presence

## Specifications

### Vehicle Loop Detector Power:

The detector is available in the following voltages:  
12 VAC/DC, 24VAC, 24VDC, 110 VAC, 220 VAC  
Maximum current draw 100mA

### Low Power:

Detector is available with maximum current draw of 60mA

### Operating Temperature:

-40 °F to 180 °F (-40 °C to 82 °C)

### Enclosure:

Extruded anodized aluminum  
(L × W × H)  
3.25 × 2.56 × 3.65 in  
(83 × 40 × 90 mm)

### Output Relays:

5A/125 VAC standard version, 1A/125 VAC  
low current version

### Connector:

86CP11 compatible with 11-Pin Octal DIN-rail  
mountable socket or wire harness

### Overall Diameter of Loop Wire:

0.26 in

### Loop Dimensions:

4 × 6 ft thru 4 × 12 ft standard,  
custom sizes available

### Lead-in-Wire:

50 ft long, twisted wire in PVC jacket

### Loop Wire Approvals:

UL subject 13, Type PLTC 300V, 90C passes IEEE-  
328,210,000, BTU Flame Test  
Pennsylvania, Bureau of Deep Mine Safety,  
Approval P-MWMS-1-85

## Part Number/Price

Part #	Description	Price
Consult	Relay box for additional I/O control	Consult
171093	Vehicle Detector includes pre-wired loop detectors, terminals for wiring lead wires from loops and power source. (loops not included)	\$1,355.00
78986	Loop, vehicle detection preformed, 4 ft x 8 ft loop, 50 ft lead in wire	\$275.00
86758	Loop, vehicle detection preformed, 4 ft x 10 ft loop, 50 ft lead in wire	\$275.00

AUTOMATED  
TICKETING

# EMX Lite Preformed Loops®



## Standard Features

### EMX Lite Preformed Loops

- Rugged and flexible TPE tubing
- Electronic lightning protection of vehicle detectors
- Comes standard with 50 ft of twisted and jacketed lead-in wire
- Vehicle detection loop is constructed of stranded wire conductors with thermoplastic elastomer insulation jacketing
- Outer shell is flexible nonmetallic 0.26 in tubing
- Two relays—relay 2 is pulse or presence
- Loop installation requires backer rod and epoxy sealant provided by others

## Specifications

### Vehicle Loop Detector Power:

The detector is available in the following voltages:  
12 VAC/DC, 24VAC, 24VDC, 110 VAC, 220 VAC  
Maximum current draw 100mA

### Low Power:

Detector is available with maximum current draw of 60mA

### Operating Temperature:

-40 °F to 180 °F (-40 °C to 82 °C)

### Enclosure:

Extruded anodized aluminum  
(L × W × H)  
3.25 × 2.56 × 3.65 in  
(83 × 40 × 90 mm)

### Output Relays:

5A/125 VAC standard version, 1A/125 VAC  
low current version

### Connector:

86CP11 compatible with 11-Pin Octal DIN-rail  
mountable socket or wire harness

### Overall Diameter of Loop Wire:

0.26 in

### Loop Dimensions:

4 × 6 ft thru 4 × 12 ft standard,  
custom sizes available

### Lead-in-Wire:

50 ft long, twisted wire in PVC jacket

### Loop Wire Approvals:

UL subject 13, Type PLTC 300V, 90C passes IEEE-  
328,210,000, BTU Flame Test  
Pennsylvania, Bureau of Deep Mine Safety,  
Approval P-MWMS-1-85

## Part Number/Price

Part #	Description	Price
86601	Vehicle detector includes detector, socket and 4 ft x 8 ft loop with 50 ft lead in wire	\$655.00
86759	Vehicle detector includes detector, socket and 4 ft x 10 ft loop with 50 ft lead in wire	\$655.00



## Standard Features

### TransCore SmartPass® RFID Reader

- Fully self-contained, integrated reader
- Ideal for truck scales, and parking and access control applications
- 915 MHz RF band operation
- Compatibility with a wide range of industry-standard formats
- Weatherproof enclosure
- Quick, simple installation by trained, authorized personnel
- Programmable RF power
- Compatible with a variety of RFID tag options including half and full frame RFID tags (beam or battery powered) as well as windshield RFID tag options (beam or battery powered)

## Specifications

### Frequency Range:

902 to 928MHz

### RF Control:

By sense output or host command

### Polarization:

Linear, horizontal

### Read Range:

Read performance varies depending on tag and reader configuration and environment  
Read range for all the SmartPass E4 Reader is 12 ft (3.7 m) typical to 17 ft (3.7 m) maximum

### I/O Control:

Input: Two independent dry contact closures for sense circuits

Output: Two independent Form-C contacts

### Dimensions:

(L x D x W)  
15.5 x 15.5 x 3.25 in  
(393 x 393 x 83 mm)

### Weight:

9.5 lb (4.3 kg)

### Mounting Surface:

Mount to pole or wall, indoor or outdoor

### Enclosure:

Tamper-proof, polycarbonate housing

### Operating Temperature:

-40 °F to 131 °F (-40 °C to 55 °C)

### Humidity:

100% condensing

### Vibration:

0.5 grams, 10 to 500 Hz

### Input Power:

16 to 20 VAC, 47 to 63 Hz, or 16 to 28 VDC

## Part Number/Price

Part #	Description	Price
108201	SmartPass E4 reader only	\$6,725.00
162431	18 VAC power supply	\$47.00
86401	5 ft interface cable	\$165.00
162430	20 ft interface cable	\$330.00
86403	35 ft interface cable	\$490.00
162432	Pole/wall mount bracket	\$145.00

# Multiprotocol Rail Reader and Parapanel Antenna



## Standard Features

### Multiprotocol Rail Reader

- Designed for railroad applications
- Fixed mount, integrated package (reader and RF module)
- Reads Association of American Railroads (AAR) format tags and Suer eGo® (SeGO) protocol tags
- Supports tag and mutual authentication
- 902 to 928 MHz RF range operation in North America
- Real-time clock
- Tag read buffering
- Programmable RF output power
- Programmable frequency
- Supports up to two AT5720 Check Tags
- Multiplexes up to four antennas

## Parapanel Antenna

### Standard Features

- Asymmetrical broadcast pattern
- Low-profile design
- Weatherproof enclosure
- UV-tolerant and corrosion-resistant construction

## Part Number/Price

Part #	Description	Price
Consult	Please consult sales engineer to ensure proper system for application	Consult

# RFID Access Tags

AUTOMATED  
TICKETING



157184



157185

## Standard Features

### RFID Access Tags

- Interior mounting on non-metallized windshield
- Impact resistant, molded plastic case
- Slim profile
- Non-battery for extended service life (AT5402)
- Dual-frequency (915 and 2450 MHz, AT5406)

## Specifications

### Frequency Range:

AT5402: 902 to 928 MHz  
AT5406: 902 to 928 MHz/2425 to 2475 MHz

### Typical Working Range with TransCore Encompass® 4:

AT5402: 5 to 10 ft (1.5 to 3 m)  
AT5406: 5 to 35 ft (1.5 to 11 m)

### Polarization:

Parallel with longer side

### Data Capacity:

Up to 10 alphanumeric characters (60 available bits) or Wiegand 26 to 54 bit formats

### Power Source:

AT5402: Beam-powered  
AT5406: Lithium battery

### Dimensions:

(L × W × H)  
AT5402: 3.60 × 2.30 × 0.27 in  
(92 × 59 × 7 mm)  
AT5406: 4.50 × 2.50 × 0.70 in  
(114 × 64 × 18 mm)

### Weight:

AT5402: 1.4 oz. (40 g)  
AT5406: 3.5 oz. (99 g)

### Service Life:

AT5402: >10 years  
AT5406: Eight-year lithium battery (typical life)

### Case Material:

Weatherproof, polycarbonate alloy, UV stabilized

### Mounting Surface:

Interior: Non-metallic windshield

### Mounting Method:

Semi-permanent mounting: Double-sided tape  
Removable mounting: Adhesive-backed hook-and-loop material attached to the tag and vehicle windshield

### Operating Temperature:

-40 °F to 185 °F (-40 °C to 85 °C)

## Part Number/Price

Part #	Description	Price
157184	AT5402 windshield tag beam power	\$42.00
157185	AT5406 windshield tag with battery	\$58.00
159518	Programming fee	\$310.00

Note: Programming fee applies if ordering fewer than 100 tags

# RFID Transportation Tags



## Standard Features

### RFID Transportation Tags

- Harsh environment durability
- Factory sealed case
- Non-battery for extended service life (AT5412)
- Dual-frequency (915 and 2450 MHz, AT5414)

## Specifications

### Frequency Range:

AT5412: 902 to 928 MHz  
AT5414: 902 to 928 MHz/2425 to 2475 MHz

### Typical Working Range with TransCore® Encompass 4:

AT5412: 5 to 10 ft (1.5 to 3 m)  
AT5414: 5 to 35 ft (1.5 to 11 m)

### Polarization:

Parallel with longer side

### Data Memory Capacity:

SeGo and eGo Modes: 2048 bits  
ATA Mode: 60 bits

### Power Source:

AT5412: Beam  
AT5414: Lithium battery for a typical eight-year life

### Dimensions:

(L × W × H)  
AT5412: 9.30 × 2.38 × 0.69 in  
(236 × 60 × 18 mm)  
AT5414: 9.32 × 2.39 × 0.75 in  
(237 × 61 × 19 mm)

### Weight:

AT5412: 5.3 oz (150.2 g)  
AT5414: 6.6 oz (187 g)

### Case Material:

Weatherproof, polycarbonate, UV-stabilized case that is sealed after programming

### Mounting Surface:

Any smooth metallic surface

### Mounting Method:

Mount to any flat smooth metal surface using bolts, screws or blind rivets

### Operating Temperature:

-40 °F to 185 °F (-40 °C to 85 °C)

## Part Number/Price

Part #	Description	Price
86399	AT5412 transportation tag 1/2 frame beam power	\$63.00
157188	AT5414 transportation tag 1/2 frame with battery	\$79.00
159518	RFID programming tag	\$310.00

Note: Programming fee applies if ordering less than 100 tags



# HID RFID Cards



## Standard Features

### HID RFID Cards

- Offer sufficient read/write memory to store multiple biometric templates
- Available in a 2 or 16 application area configuration
- Offer multiple, securely separated areas to enable numerous applications, including the HID standard access control application
- Future growth for new read/write applications
- ISO 15693 and 14443B2 standards for read/write contactless communication
- Cost-effective way to enhance the security of your access control installation
- Close range

## HID RFID Readers

AUTOMATED  
TICKETING



## Standard Features

### HID RFID Readers

- More powerful and versatile access control
- User-friendly proximity technology
- Uses the 13.56 MHz technology platform
- High-intensity, three-color light bar provides clear, visual feedback, even in direct sunlight
- Selectable, distinct tone sequences indicate status conditions
- All RF data transmission between the card and reader is encrypted using a secure algorithm
- Close range

## Specifications

### Typical Maximum Read Range\*:

- 2.5 to 4.5 in (6.3 to 11.4 cm) with HID iCLASS® card
- 1.0 in (2.5 cm) with HID iCLASS key
- 1.0 in (2.5 cm) with HID iCLASS tag
- 1.5 to 2.0 in (3.8 to 5.0 cm) with HID iCLASS prox
- 1 to 2 in (2.5 to 5.0 cm) with MIFARE® card (serial number only)

\*Using ISO 15693 mode (except MIFARE®). Dependent upon installation conditions. Please note that all iCLASS credentials are available in either a 2K bits (256 Bytes) or 16Kbits (2 KBytes) configuration.

### Dimensions:

- (L × W × H)
- 3.30 × 0.85 × 4.80 in
- (84 × 22 × 122 mm)

### Material:

UL94 polycarbonate

### Power Supply:

- 10 to 16VDC reverse voltage protected
- Linear supply recommended

### Current Requirements (Avg/Peak):

80/260mA at 12VDC

### Operating Temperature:

-31 °F to 150 °F (-35 °C to 65 °C)

### Operating Humidity:

5 to 95% relative humidity non-condensing

### Weight:

8.8 oz (249.5 g)

### Transmit Frequency:

13.56 MHz

### Cable Distance:

Wiegand interface: 500 ft (150 m)  
Recommended cable is ALPHA 1295 (22AWG)  
Five-conductor stranded with overall shield or equivalent. Additional conductors may be required to connect all outputs.

### Pending Certifications:

Taiwan, Singapore, Germany VdS

### Approvals:

- UL 294/cUL
- FCC Certification
- Canada Certification
- CE Mark (Europe)
- New Zealand
- Australia c-Tick

## Part Number/Price

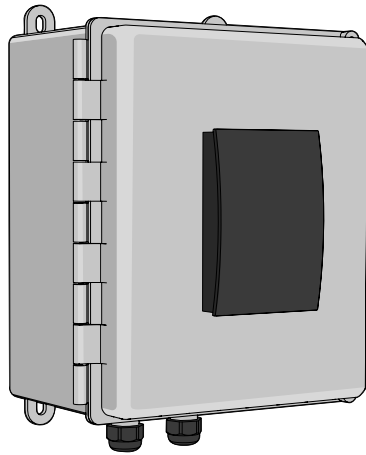
Part #	Description	Price
176452	HID smart card reader, includes Wiegand to RS232 converter and mounting hardware	\$695.00
88792	Power supply, IDEC 12VDC output, 85 VAC input, required for 176452 above	\$140.00
85902	iClass Smart Card pack 1 to 25 13.56 MHz	\$155.00
85903	iClass Smart Card pack 26 to 50 13.56 MHz	\$155.00
85904	iClass Smart Card pack 51 to 75 13.56 MHz	\$155.00
85905	iClass Smart Card pack 76 to 100 13.56 MHz	\$155.00
95358	Card, HID unprogrammed configured 256 byte no slot punch - MUST BE FACTORY PROGRAMMED	\$8.50
212168	Card, HID unprogrammed configured 256 byte vertical slot	\$10.00

Keyfob and disc tags optional—consult for price.



HID card (PN 212168)

# Remote HID Box



AUTOMATED TICKETING

## Standard Features

- Self-contained HID reader with Weigand to RS-232 converter with power supply
- Indoor/outdoor
- Use with 920i, 1280 indicators and kiosk systems
- Requires special programming

## Specifications

### Typical Maximum Read Range\*:

- 2.5 to 4.5 in (6.3 to 11.4 cm) with HID iCLASS® card
- 1.0 in (2.5 cm) with HID iCLASS key
- 1.0 in (2.5 cm) with HID iCLASS tag
- 1.5 to 2.0 in (3.8 to 5.0 cm) with HID iCLASS prox
- 1 to 2 in (2.5 to 5.0 cm) with MIFARE® card (serial number only)

### \*Using ISO 15693 mode (except MIFARE®).

Dependent upon installation conditions. Please note that all iCLASS credentials are available in either a 2 K bits (256 Bytes) or 16Kbits (2 KBytes) configuration.

### Dimensions:

(L × W × H)  
10.50 × 8.91 × 6.25 in  
(267 × 226 × 159 mm)

### Material:

FRP

## Specifications Continued

### Power Supply:

120 VAC input @ 10W, 5 VDC Output 2 @ Amp

### Current Requirements (Avg/Peak):

80/260mA at 12 VDC

### Operating Temperature:

-31 °F to 150 °F (-35 °C to 65 °C)

### Operating Humidity:

5 to 95% RH (non-condensing)

### Weight:

8.8 oz (249.5 g)

### Transmit Frequency:

13.56 MHz

### Cable Distance:

RS-232-C 50 ft

### Pending Certifications:

Taiwan, Singapore, Germany VdS

### Approvals Power Supply:

CE Marked  
TUV  
UL61010/cUL  
CSA C22.2 o. 1071  
UL1604: Class I Div 2  
EN 50175  
LVD: EN662368  
EMC: Directive EN61204-3  
EMI: Class B, EMS Industrial

### Pending Approvals HID:

Taiwan, Singapore, Germany VdS

### Approvals HID:

UL 294/cUL  
FCC Certification  
Canada Certification  
CE Mark (Europe)  
New Zealand  
Australia c-Tick

## Part Number/Price

Part #	Description	Price
220144	HID Box, remote	\$1,455.00

# HID Long Range Readers



## Standard Features

- Discreet hands-free authentication solution for long range parking, gate control and truck identification
- IP65 rating allows outdoor mounting
- Supports Wiegand standards
- Requires Wiegand converter, consult with a sales engineer with application specifics

## Specifications

### Dimensions:

(L × W × H)  
9.10 × 9.10 × 2.75 in  
(231 × 231 × 70 mm)

### Color:

Black

### Mounting:

Drill mounting box to meet application  
Drill points provided for US and EU wall boxes, and 75 mm, 100 mm and 200 mm VESA mounts

### Storage Temperature:

-67 °F to 185 °F (-55 °C to 85 °C)

### Operating Temperature:

-30 °F to 150 °F (-35 °C to 65 °C)

### Operating Humidity:

5% to 95% relative humidity non-condensing

### Rating/Material:

IP65  
UL94 Polycarbonate

### Typical Maximum Read Range:

9.8 to 16.4 ft  
(3 to 5 m) (Mexico)

### Transmit Frequency:

865 to 868 MHz / 902 to 928 MHz  
dependent on regional regulations

### Approvals:

UL 294/cUL, CB Scheme  
FCC Certification  
IC (Canada)  
CE (Europe)  
IFETEL (Mexico)

## Part Number/Price

Part #	Description	Price
184458	Reader, long range HID	\$1,695.00
184459	UHF credentials (factory programming required)	\$15.00
184466	Windshield mount	\$10.50
220769	Convertor, Weigand/RS232I	\$1,025.00

# TagMaster CT-45

Network IP Camera with License Plate Recognition (LPR)



## Standard Features

- Compatible with OnTrak® Enterprise
- Plate localization, country and state identifiers
- Optical Character Recognition (OCR) Library
- Number and letter segmentation
- Works in daylight and low-light conditions
- Operating range, 10 to 82 ft (3 to 25 m)

## Specifications

**Read Range:**  
10 to 82 ft (3 to 25 m)

**Image Sensor:**  
2 megapixels  
1/2.8 in CMOS sensor

**Frame Rate:**  
25 FPS

**Interface:**  
LAN (weatherproof standard RJ-45) 10/100 Mbps  
Ethernet interface Wi-Fi (for easy setup)  
Relay Control (1 input, 2 outputs) Wiegand

## Specifications Continued

**Power Input/Network:**  
24 to 48 VDC, PoE+ IEEE 802.3 at  
Requires CAT 5e or better network, POE+ network  
switch or 24-48 VDC power supply

**Power Consumption:**  
Average 18W, max 25W

**Dimensions:**  
4.0 × 7.0 × 11.5 in  
(102 × 180 × 290 mm)

**Weight:**  
6.5 lb (2.95 kg)

**Rating:**  
IP66

**Operating Temperature:**  
-40 °F to 140 °F (-40 °C to +60 °C) 0% to 95% RH

**Approvals:**  
IEC 62368-1, Electrical Safety General  
IEC 60950-22, Electrical Safety Outdoor  
IEC 62471, Photobiological  
EN 55022:2010, Emissions  
EN 55024:2010, Immunity  
IEC 60068-2-27 Ea, Shock  
IEC 60068-2-64 Fh, Vibration  
UL94 HB, Flammability  
RoHS directive 2002/95/EC and RoHS2 directive  
2011/65/EU

## Part Number/Price

Part #	Description	Price
220688	Camera LPR	\$8,045.00
220690	Mounting bracket, LPR camera	\$245.00
220691	Cable power & relay LPR camera power cable	\$125.00

AUTOMATED  
TICKETING

# Vivotek IP8361

Network IP Outdoor Camera



## Standard Features

- Compatible with OnTrak® Enterprise
- Includes motion detection
- Remotely pan and tilt camera horizontally and vertically
- IR night vision makes images clear even in the dark
- Operating range, 10 to 82 ft (3 to 25 m)

## Specifications

**Read Range:**  
10 to 82 ft (3 to 25 m)

**Interface:**  
10Base-T/100 Base TX Ethernet (RJ-45)

**Power Input:**  
IEEE 802.3af PoE Class 3

**Power Consumption:**  
Max. 7.2 W (PoE)

**Dimensions:**  
3.3 × 8.3 in  
(83 × 212 mm)

**Operating Temperature:**  
-4 °F to 122 °F  
(-20 °C to 50 °C)

**Weight (including bracket):**  
3.5 lb (1.6 kg)

**Rating:**  
IP66

**Approvals:**  
CE  
LVD  
FCC Class A  
VCCI  
C-Tick

## Part Number/Price

Part #	Description	Price
163175	Ethernet camera 2-megapixel CMOS sensor	\$1,500.00
131605	Power supply, POE injector	\$205.00
15438	Power cord	\$25.00

# Photo Eyes



Retro-reflective

## Standard Features

- Many varieties available for both truck scale and dynamic weighing applications
- Arrange photo eyes to keep wheels on scale
- Rugged outdoor applications
- Reflective types work up to 17 ft (5.18 m) in clean conditions
- Quick disconnects for easy replacement
- Broken beams can signal a wheel off the scale or prevent a weighment in unattended systems
- Transmitter/receiver types work up to 17 ft in clean conditions

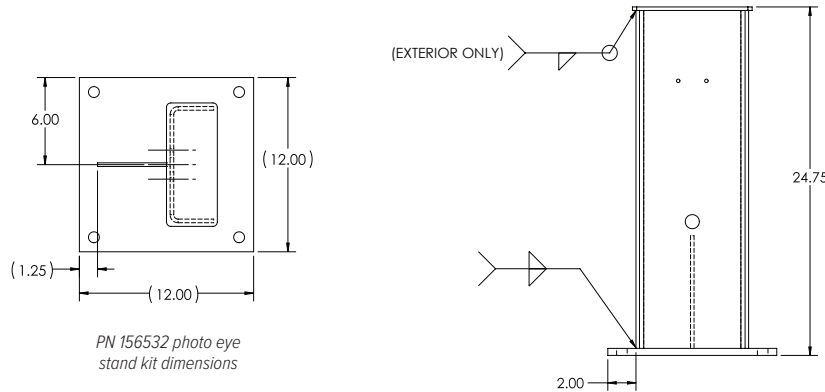
AUTOMATED TICKETING

## Part Number/Price

Part #	Description	Price
<b>Photo Eyes</b>		
78975	Allen-Bradley® photo eye retro-reflective sensor	\$340.00
78976	Photo eye reflector, 3 in diameter	\$29.00
78977	Quick disconnect photo eye cable, 12 ft, 5-Pin mini connector	\$145.00
<b>Photo Switches</b>		
165776	Kit, photo eye switch	\$1,395.00
103013	Photo switch receiver	\$300.00
103014	Photo switch transmitter	\$225.00
196361	Photo switch transmitter (DC)	\$265.00
103015	Photo switch quick connector receiver	\$145.00
103016	Photo switch quick connector transmitter	\$115.00
130398	Mounting swivel assembly for 103013 and 103014	\$31.00
156532	Photo eye stand kit	\$425.00



Photo eye stand



PN 156532 photo eye stand kit dimensions

Dimensions listed in inches



# Traffic Light Kits



Traffic Light

## Standard Features

### Light

- Housing meets or exceeds ITE specifications
- Stainless steel hardware
- 8 in LED lights, enclosure injection molded polycarbonate
- LED modules
- Compliant to ITE UTCSH - LED circular signal
- Temperature compensated power supplies for long LED life
- Conformal coated power supplies
- Intertek/ETL certified and listed on ETL certification program
- 135 VAC

### Pole

- 4.5 in outer dimension aluminum pole
- Cast aluminum base mounts to concrete with four anchor bolts
- Base underside has integrated anchor bolt guide to ensure proper anchor placement.
- Removable 8 in access door for cable splicing and bolt attachments (H x W) 15 x 13-3/4 in

AUTOMATED TICKETING

## Part Number/Price

Part #	Description	Est. Weight	Price
23146	2 Section, With Mounting Hardware for 4.5 Inch Pole 120VAC LED	25 lb	\$865.00
85789	Kit, traffic light pole. Includes 8 ft aluminum pole, base & four 18 in anchors. Bolts with nuts and washers. Option: Pole cap (PN 179172)	70 lb	\$1,055.00
179172	Aluminum pole cap, 4.5 in (for use when traffic light not mounted on pole)	-	\$59.00
87111	Side mount brackets include 12 in nipples and universal hubs, bracket, aluminum upper and lower assembly	10 lb	\$240.00
84504	Anchor bolt with nut washer	2 lb	\$13.00
160242	Kit; dual traffic light	-	\$5,395.00
160208	Control panel, dual traffic light	-	\$975.00
156106	Buzzer box, 115 VAC	-	\$795.00
163734	Switch box, remote (includes legend plates for Zero, Print, Tare, Cancel and Accept)	-	\$315.00



Anchor bolt with nut and washer



Side Mount Brackets

Traffic Light Pole



Control Panel



Buzzer Box



Switch Box



# Scale Intercom



## Standard Features

- Moisture and puncture resistant speaker
- Three-layer steel baffle protects speaker from tampering
- Hands-free communication
- Weather and vandal resistant
- FRP enclosure

## Specifications

### Wiring:

CAT5 to Ethernet adapter

### Dimensions:

(L × W × H)  
14 × 12 × 8 in

### Communication:

PC software functions as base station for networked intercom system

*TalkMaster FOCUS, download directly from [digitalacoustics.com/talkmaster-focus-software-download/](http://digitalacoustics.com/talkmaster-focus-software-download/)*

AUTOMATED TICKETING

## Part Number/Price

Part#	Description	Price
215451	Ethernet intercom	\$2,625.00

# Ethernet Serial Servers



## Part Number/Price

Part#	Description	Price
221451	Ethernet serial server dual serial port (two-terminal blocks) one Ethernet 10/100 (RJ45) DIN rail mounting	\$875.00
197373	Ethernet serial server four serial port (DB-9) one Ethernet 10/100 (RJ45) DIN rail mounting	\$1,000.00

# Aviation

---

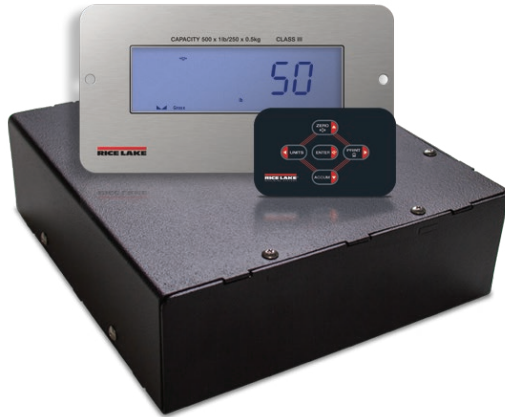
## TABLE OF CONTENTS

<b>Tracer® AV2</b> .....	<b>40</b>
<i>Baggage Weighing Instrumentation</i>	

*The following product names, logos, brands and other trademarks featured or referred to within this publication are the property of their respective trademark holders.*

# Tracer® AV2

Baggage Weighing Instrumentation



## Approvals



Ideal for baggage weighing, Tracer AV2 combines a sleek five-button keypad with the most durable stainless steel display. The simple-to-install display features a large, backlit LCD display and the rugged keypad will endure years of busy check-in counter use.

## Part Number/Price

Part #	Description	Price
202532	Tracer AV2, single LCD panel mount display, single keypad	\$2,060.00
202531	Tracer AV2, dual LCD panel mount display, single keypad	\$2,495.00
207287	Tracer AV2, dual LCD panel mount display, dual keypad	\$2,595.00
204452	Tracer AV2, single LCD external mount display, single keypad	\$2,110.00
204451	Tracer AV2, dual LCD external mount display, Single keypad	\$2,645.00

To complete your system, refer to page 184 for the BenchMark LP or page 185 for the BenchMark HD scales

## Replacement Parts

Part #	Description	Price
205206	Tracer AV2 CPU module	\$1,075.00
207288	Kit, RD2 LCD display	\$510.00
207289	Kit, RD2 LCD display, external mount package	\$565.00
207290	Kit, five-button keypad	\$225.00
15438	Power cord, detachable, 7.5 ft long	\$25.00
203937	Power supply, 7.5V 30W	\$185.00
207302	Cable splitter, DB9 female to DB9 male connector	\$11.00

## Standard Features

- Customer display (panel mount)
- CPU module
- Supports two displays (customer/agent)
- Five-button keypad for ticket agent
- Accumulation function
- Display indicates overweight bag

## Specifications

### Power:

115 to 230 VAC to CPU module  
50/60 Hz

### Power Consumption:

6 W

### Excitation Voltage:

5 VDC, 8 x 350 ohm load cells

### Analog Signal Input Range:

-0.5 mV/V to 4.5 mV/V

### Analog Signal Sensitivity:

1 µV/graduation recommended

### A/D Sample Rate:

6.25 to 120 Hz, software selectable

### Resolution:

Internal: 8,000,000 counts  
Display: 1,000,000

### System Linearity:

Within 0.01% full scale

### Communication:

Ethernet TCP/IP  
USB Device

### Annunciators:

lb/kg

### Display:

Stainless steel, panel mounted, seven-digit LCD display, 0.8 in (20 mm) tall digits

### Keys/Buttons:

Zero, Units, Accum, Print, Enter

### Temperature Range:

14 °F to 104 °F (-10 °C to 40 °C)

### Dimensions:

#### Panel Mount Display:

7.5 x 4.0 x 1.49 in  
(19.05 x 10.16 x 3.79 cm)

#### External Mount Display:

7.5 x 3.9 x 1.44 in  
(19.05 x 9.91 x 3.66 cm)

#### Panel Mount Keypad:

4.0 x 2.5 x 2.1 in  
(10.16 x 6.35 x 5.33 cm)

#### CPU Enclosure:

7.5 x 7.0 x 2.25 in without mounting feet  
11.13 x 7.0 x 3.06 in with mounting feet

### Weight:

5.25 lb

### Warranty:

Two-year limited

### Approvals:

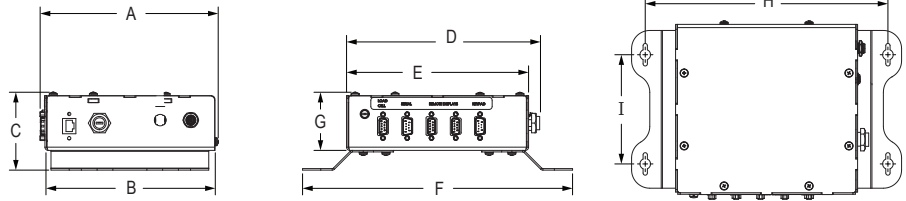
NTEP 21-015, Class III/IIIL, 10,000d  
Measurement Canada AM-6168C  
cULus



## Dimensions

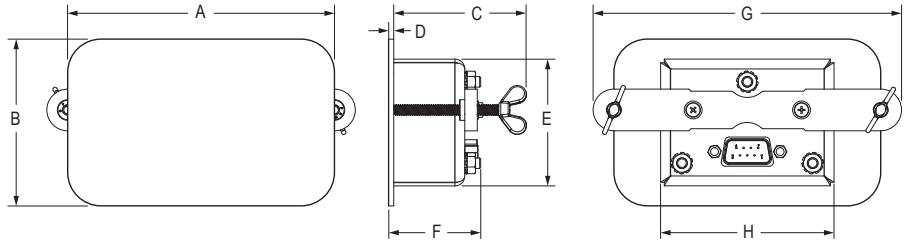
### CPU Enclosure Assembly

A	7.30 in (18.55 cm)	F	11.10 in (28.20 cm)
B	7.00 in (17.78 cm)	G	2.40 in (6.10 cm)
C	3.20 in (8.13 cm)	H	10.00 in (25.40 cm)
D	8.00 in (20.32 cm)	I	4.50 in (11.43 cm)
E	7.50 in (19.05 cm)		



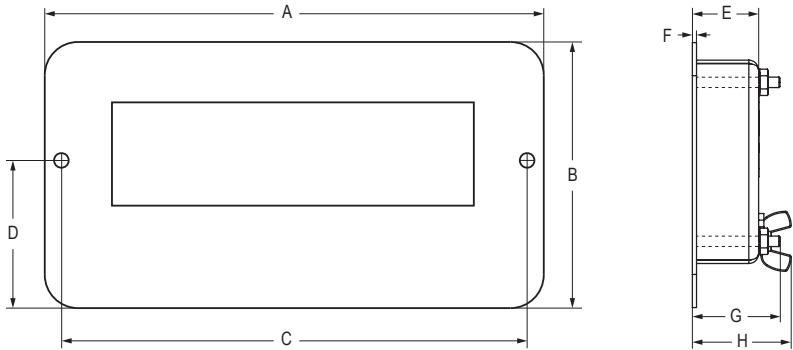
### Remote Keypad (Panel Mount)

A	4.00 in (10.16 cm)	E	1.90 in (4.83 cm)
B	2.50 in (6.35 cm)	F	1.38 in (3.51 cm)
C	1.98 in (5.03 cm)	G	4.63 in (11.76 cm)
D	0.063 in (0.16 cm)	H	2.60 in (6.61 cm)



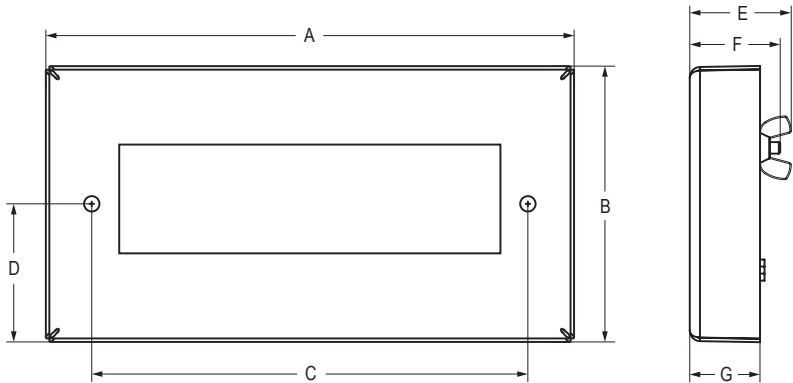
### Remote Display (Panel Mount)

A	7.50 in (19.05 cm)	E	1.00 in (2.54 cm)
B	4.00 in (10.16 cm)	F	0.063 in (0.16 cm)
C	7.00 in (17.78 cm)	G	1.33 in (3.38 cm)
D	2.22 in (5.64 cm)	H	1.49 in (3.79 cm)



### Remote Display (External Mount)

A	7.50 in (19.05 cm)	E	1.44 in (3.66 cm)
B	3.90 in (9.91 cm)	F	1.29 in (3.28 cm)
C	6.22 in (15.80 cm)	G	1.00 in (2.54 cm)
D	1.95 in (4.96 cm)		



AVIATION



# Balances

## TABLE OF CONTENTS

### Rice Lake

#### ANALYTICAL

TA Plus Series ..... 44

#### LEGAL FOR TRADE

TE Enhanced Series ..... 45

#### TOPLOADER

TS Series Washdown ..... 46

TP Series ..... 47

TC Series ..... 48

Equipoise® Series ..... 49

### A&D Weighing

#### MASS COMPARATOR

MC Series ..... 50

Ion BM Series ..... 51

#### MICRO / SEMI-MICRO

Phoenix GH Series ..... 52

Gemini GR Series ..... 53

#### ANALYTICAL

Ion BM Series ..... 54

Phoenix GH Series ..... 55

Gemini GR Series ..... 56

HR-AZ/A Series ..... 57

Orion HR Series ..... 58

AD-4212A Series ..... 59

Apollo GF Series ..... 60

Apollo GX Series ..... 61

#### LEGAL FOR TRADE

GF-P Series ..... 62

FX-i Series ..... 63

EK-i Series ..... 64

EW-i Series ..... 65

#### PRECISION

Apollo GX Series ..... 66

Apollo GF Series ..... 67

FX-iWP Series Washdown ..... 68

FX-i Series ..... 69

AD-4212A Series ..... 70

FX-i Series ..... 71

#### TOPLOADER

Apollo GX Series ..... 72

Apollo GF Series ..... 73

FX-iWP Series Washdown ..... 74

EJ Newton Series ..... 75

EK-i Series ..... 76

EW-i Series ..... 77

#### HIGH CAPACITY

GX-M Series ..... 78

GF-M Series ..... 79

GP Series ..... 80

#### INTRINSICALLY SAFE

EK-AEP Series ..... 82

#### MOISTURE ANALYZERS

MS-70/MX-50/MF-50/ML-50 ..... 83

#### STATIC ELIMINATOR

AD-1683 ..... 84

### Ohaus

#### SEMI-MICRO

Explorer® Series ..... 85

Pioneer® PX Series ..... 86

#### ANALYTICAL

Explorer® Series ..... 87

Adventurer® Series ..... 88

Scout® SJX Series ..... 89

#### LEGAL FOR TRADE

Valor® 7000 Series ..... 90

Adventurer® Series ..... 91

#### PRECISION

Adventurer® Series ..... 92

Pioneer® PX Series ..... 93

Explorer® Series ..... 94

Scout® Series ..... 95

#### TOPLOADER

Pioneer® PX Series ..... 96

Explorer® Series ..... 97

Adventurer® Series ..... 98

Navigator™ XT Series ..... 99

Scout® Series ..... 100

Valor® 3000 Xtreme Series ..... 102

Valor® 3000 Xtreme Series Washdown ..... 103

Valor® 2000 Series Washdown ..... 104

Compass CX Series ..... 105

Compass CR Series ..... 106

HH Series ..... 107

YA Series ..... 108

Valor® 1000 Series ..... 109

#### HIGH CAPACITY

Explorer® Series ..... 110

#### MECHANICAL

Triple Beam ..... 111

Harvard Trip Balance ..... 112

Dial-O-Gram® and Cent-O-Gram® ..... 113

Field Test Scale ..... 114

Heavy Duty Solution ..... 114

#### MOISTURE ANALYZER

MB Series ..... 115

### Sartorius

#### ULTRA-MICRO / MICRO

Cubis® II Series MCA ..... 116

Cubis® II Series MCE ..... 117

#### SEMI-MICRO

Cubis® II MCA Series ..... 118

Cubis® II MCE Series ..... 119

Quintix/Secura Series ..... 120

#### ANALYTICAL

Practum/Quintix/Secura Series ..... 121

Cubis® II MCA Series ..... 122

Cubis® II MCE Series ..... 123

Entris® II Series Basic Essential ..... 124

Entris® II Series Basic Advanced ..... 125

#### LEGAL FOR TRADE

Entris® II Series Basic Essential ..... 126

Secura Series ..... 127

#### PRECISION

Cubis® II Series MCA ..... 128

Cubis® II Series MCE ..... 129

Entris® II Series Basic Essential ..... 130

Entris® II Series Basic Advanced ..... 131

Practum/Quintix/Secura Series ..... 132

#### TOPLOADER

Practum/Quintix/Secura Series ..... 133

Cubis® II Series MCA ..... 134

Cubis® II Series MCE ..... 135

Entris® II Series Basic Essential ..... 136

Entris® II Series Basic Advanced ..... 137

#### MOISTURE ANALYZER

MA35, MA37 and MA160 Series ..... 138

### Accessories

#### ADAPTER CABLE, RS-232/USB KEYBOARD INPUT

AbleCable® ..... 139

#### DATA CAPTURE AND STORAGE

Go-Between™ ..... 140

Kasota Stone Balance Slab ..... 141

Kasota Stone Balance Table ..... 141

Granite Clean Room Table ..... 141

Anti-Vibration Pad ..... 142

Scoops ..... 142

#### STATIC BRUSHES, IONIZING STRIPS AND ACCESSORIES

Static Control ..... 143

# TA Plus Series

## Standard Features

- Internal calibration
- Anti-electrostatic 360° transparent windshield
- Eight-digit, 16.5 mm high liquid crystal display (LCD) with backlight
- Single-touch response setting for environment
- 40-step bar graph display
- RS-232 interface for connecting to printer or PC
- ISO/GLP/GMP compliant printing record
- Plastic housing
- Underweigh hook

## Specifications

### Weighing Units:

Carat, Pennyweight, Troy Ounce, Decimal Ounce, Decimal Pound (See technical manual for complete listing)

### Operating Modes:

Counting, Percentage, Limit Function (Checkweighing), Specific Gravity

### Power:

120 VAC adapter

### RS-232:

Baud rate - 1200/2400/4800/9600/19200 bps, 8/7 data bits, Parity bit-None/Odd/Even

### Calibration Weight:

TA Plus-124: 120 g  
TA Plus-224: 220 g

### Operating Temperature:

50 °F to 86 °F (10 °C to 30 °C) 80% RH or lower

### Est. Weight:

6.4 lb (2.9 kg)

### Warranty:

Five-year limited

### Return Policy:

Rice Lake Standard Policy

Model	Capacity	Readability	Repeatability	Linearity	Pan Size	Weighing Chamber	Dimensions	Part #	List Price
TA Plus-124	120 g	0.0001 g	1 division	1 division	Ø 3.15 in (80 mm)	8.9 × 8.4 × 8.4 in (225 × 213 × 213 mm)	11 × 7.9 × 12 in (290 × 200 × 306 mm)	196569	\$2,250.00
TA Plus-224	220 g	0.0001 g	1 division	1 division	Ø 3.15 in (80 mm)	8.9 × 8.4 × 8.4 in (225 × 213 × 213 mm)	11 × 7.9 × 12 in (290 × 200 × 306 mm)	196570	\$2,160.00

## Options/Accessories

Part #	Description	Price
108255	115 V AC adapter	\$58.00
108256	230 V AC adapter	\$88.00
108257	In-use cover	\$58.00
107398	Additional operating manual	\$18.00
75351	WinWedge® Tal software	\$345.00
66535	Null modem cable	\$46.00
119919	AbleCable, requires null modem cable PN 66535	\$190.00





# TE Enhanced Series

## Standard Features

- External weight calibration
- Seven-segment (main)/16-segment (sub) display
- Selectable modes: Weighing, Counting, Percentage, Coefficient, Specific Gravity, Statistics, Animal and Formulation
- Mono-metal tuning fork technology (MMTF) provides quick response and stability
- 30-step bar graph display
- AA dry-cell port, (150 hours continuous use with LCD backlight and communication signal ON)
- RS-232 interface for connecting to printer or PC
- Glass breeze break (TE-223, TE-322NC and TE-623 only)

## Specifications

### Weighing Units:

Milligram, Gram, Ounce, Pound, Carat, Pennyweight, Troy Ounce (see technical manual for complete listing)

### Operating Modes:

Weighing, Counting, Percentage, Coefficient, Specific Gravity, Statistics, Animal, Formulation

### Power:

100 to 240 VAC adapter, AA dry cell (batteries not included)

### Operating Temperature:

41 °F to 95 °F (5 °C to 35 °C)

### Est. Weight:

TE-223 / 322NC: 6.5 lb (3 kg)  
TE-623 / 3202 / 6202 / 15001 / 1501NC / 8200NC: 6.0 lb (2.7 kg)

### Warranty:

Five-year limited

### Return Policy:

Rice Lake standard policy

### Approvals:

NTEP Certified CC 17-104A2  
Measurement Canada AM-6169



Measurement  
Canada  
Approved

Model	Capacity	Resolution	NTEP Resolution	Pan Size	Weighing Chamber	Dimensions	Part #	List Price
<b>NTEP Certified Only</b>								
TE-223	220 g	0.001 g	0.01 g	4.6 in (118 mm)	8.9 × 5.9 × 5.9 in (226 × 150 × 150 mm)	10.6 × 8.1 × 11.8 in (270 × 208 × 301 mm)	187600	\$1,197.00
TE-623	620 g	0.001 g	0.01 g	4.6 in (118 mm)	8.9 × 5.9 × 5.9 in (226 × 150 × 150 mm)	10.6 × 8.1 × 11.8 in (270 × 208 × 301 mm)	186030	\$1,575.00
TE-3202	3,200 g	0.01 g	0.1 g	6.3 × 7.1 in (160 × 180 mm)	N/A	10.4 × 7.5 × 3.4 in (265 × 192 × 86 mm)	186035	\$1,302.00
TE-6202	6,200 g	0.01 g	0.1 g	6.3 × 7.1 in (160 × 180 mm)	N/A	10.4 × 7.5 × 3.4 in (265 × 192 × 86 mm)	186036	\$1,302.00
TE-15001	15,000 g	0.1 g	1.0 g	6.3 × 7.1 in (160 × 180 mm)	N/A	10.4 × 7.5 × 3.4 in (265 × 192 × 86 mm)	186037	\$1,260.00
<b>NTEP Certified and Measurement Canada Approved</b>								
TE-322NC	320 g	0.01 g	0.01 g	4.6 in (118 mm)	8.9 × 5.9 × 5.9 in (226 × 150 × 150 mm)	10.6 × 8.1 × 11.8 in (270 × 208 × 301 mm)	204688	\$1,165.50
TE-1501NC	1,500 g	0.1 g	0.1 g	6.3 × 7.1 in (160 × 180 mm)	N/A	10.4 × 7.5 × 3.4 in (265 × 192 × 86 mm)	204689	\$1,270.50
TE-8200NC	8,200 g	1 g	1 g	6.3 × 7.1 in (160 × 180 mm)	N/A	10.4 × 7.5 × 3.4 in (265 × 192 × 86 mm)	204690	\$1,270.50

## Options/Accessories

Part#	Description	Price
186074	Power supply 100-240 V AC, 50-60 Hz	\$75.00
186075	In-use dust cover 620 g models and lower	\$30.00
186076	In-use dust cover 3,200 g models and higher	\$30.00
186077	Specific Density Measurement Kit	\$690.00
186079	Ethernet TCP/IP option card	\$690.00



BALANCES  
RICE LAKE

# TS Series Washdown

## Standard Features

- Stainless steel, IP65 top housing
- Large, 18 mm LCD with backlight
- Selectable modes
- 13 units of measurement
- Mono-metal tuning fork sensor (MMTS) provides quick response and stability
- Washdown with IP65 rating
- 115 VAC adapter included (230 VAC optional)
- Semi-automatic calibration, external weight
- RS-232 interface for connecting to printer or PC

## OPTIONS

- Battery holder
- Underweigh hook
- Waterproof RS-232 cable

## Specifications

### Weighing Units:

Carat, Pennyweight, Troy Ounce, Decimal Ounce, Decimal Pound (See technical manual for complete listing)

### Operating Modes:

Weight, Count, Percentage, Limit Function (Checkweighing)

### Power:

120 VAC (adapter included)

### Battery Option:

Nickel-cadmium battery, 12-hour run time, 24-hour charge time

### RS-232 Baud Rate:

1200/2400/2800/9600;  
Data bits - 8, Connector-DIN 5-pin

### Calibration Weight:

TP-620: 600 g  
TP-6200: 6,000 g  
TP-8200: 8,000 g

### Operating Temperature:

41 °F to 95 °F (5 °C to 35 °C)

### Est. Weight:

6.2 lb (2.8 kg)

### Warranty:

Five-year limited

### Return Policy:

Rice Lake standard policy

Model	Capacity	Resolution	Calibration	Part #	List Price
TS-620	620 g	0.01 g	600 g	108156	\$1,515.00
TS-6200	6,200 g	0.1 g	6,000 g	108157	\$1,630.00
TS-8200	8,200 g	0.1 g	8,000 g	112182	\$1,712.00

## Options/Accessories

Part#	Description	Price
108499	AC adapter, multi-range 110:230 V AC, 6 V DC	\$58.00
72440	9-pin D-sub F-25-Pin D-sub connector	\$67.00
22436	9-pin D-sub F to blunt end	\$70.00
66535	Null modem cable	\$46.00
119064	Slimline adapter, null modem gender changer	\$12.50
109236	Underweigh hook	\$30.00
109238	Waterproof RS-232 cable	\$400.00
109050	Additional operating manual	\$18.00
112611	Battery operator manual	\$7.00
112516	Battery holder option, requires Four AA batteries (not included)	\$121.00
119919	AbleCable, requires null modem cable PN 66535	\$190.00

BALANCES  
RICE LAKE



PN 108499 Multi-range AC adapter and multi-plug



# TP Series

## Standard Features

- External weight calibration
- Large, 16.5 mm-high backlit liquid crystal display (LCD)
- Mono-metal tuning fork sensor (MMTS) provides quick response and stability
- 20-step bar graph display
- One part in 620,000 resolution
- RS-232 interface for connecting to printer or PC
- Plastic housing on models < 1,000 g
- Plastic top and die-cast bottom on models > 1,000 g

## OPTIONS

- Rechargeable battery
- Underweigh hook

## Specifications

### Weighing Units:

Carat, Pennyweight, Troy Ounce, Decimal Ounce, Decimal Pound (See technical manual for complete listing)

### Operating Modes:

Weight, Count, Percentage, Limit Function (Checkweighing)

### Power:

120 VAC (adapter included)

### Battery Option:

Nickel-cadmium battery, 12-hour run time, 24-hour charge time

### RS-232 Baud Rate:

1200/2400/2800/9600;  
Data bits - 8, connector-DIN 5-pin

### Calibration Weight:

TP-220: 200 g  
TP-820: 800 g  
TP-3200: 3,000 g  
TP-8200: 8,000 g  
TP-12K: 12,000 g

### Operating Temperature:

41 °F to 95 °F (5 °C to 35 °C)

### Est. Weight:

6.2 lb (2.8 kg)

### Warranty:

Five-year limited

### Return Policy:

Rice Lake standard policy

Model	Capacity	Readability	Repeatability	Linearity	Pan Size	Weighing Chamber	Dimensions	Part #	List Price
TP-220	220 g	0.001 g	1 division	1 division	Ø 4.6 in (117 mm)	3.7 × 5.5 × 3.7 in (95 × 140 × 95 mm)	9.2 × 7.1 × 6.6 in (including draft shield) (235 × 182 × 170 mm)	107244	\$1,166.00
TP-820	820 g	0.01 g	1 division	1 division	6.6 in × 5.5 in (168 × 140 mm)	N/A	9.2 × 7.1 × 2.9 in (235 × 182 × 75 mm)	107245	\$1,166.00
TP-3200	3,200 g	0.01 g	1 division	1 division	7 in × 6.2 in (178 × 158 mm)	N/A	10.1 × 7.5 × 3.4 in (265 × 192 × 87 mm)	107246	\$1,314.00
TP-8200	8,200 g	0.1 g	1 division	1 division	7 in × 6.2 in (178 × 158 mm)	N/A	10.1 × 7.5 × 3.4 in (265 × 192 × 87 mm)	107247	\$1,166.00
TP-12K	12,000 g	0.1 g	1 division	1 division	7 in × 6.2 in (178 × 158 mm)	N/A	10.1 × 7.5 × 3.4 in (265 × 192 × 87 mm)	107248	\$1,345.00

## Options/Accessories

Part #	Description	Price
107249	Rechargeable battery ≤TP-820	\$121.00
107237	Rechargeable battery ≥TP-3200	\$121.00
107250	In-use dust cover ≥TP-3200	\$30.00
107240	In-use dust cover ≤TP-820	\$30.00
109236	Underweigh hook ≤TP-820	\$30.00
109292	Underweigh hook ≥TP-3200	\$30.00
42566	115 V AC adapter/12 V DC	\$76.00
42168	230 V AC adapter	\$82.00
107251	Additional operating manual	\$18.00
75351	WinWedge® Tal software	\$345.00
115303	5-pin to 9-pin DB female RS-232 cable	\$111.00



BALANCES  
RICE LAKE

# TC Series

## Standard Features

- Large, 16.5 mm-high, backlit liquid crystal display (LCD)
- 12 units of measurement
- Mono-metal tuning fork sensor (MMTF) provides quick response and stability
- 20-step bar graph display
- Semi-automatic calibration, external weight
- Plastic housing on models <1,000 g
- Plastic top and die-cast bottom on models >1,000 g

## Specifications

### Weighing Units:

Carat, Pennyweight, Troy Ounce, Decimal Ounce, Decimal Pound (See technical manual for complete listing)

### Operating Modes:

Weight, Count, Percentage, Limit Function (Checkweighing)

### Power:

115 VAC adapter included (230 VAC optional)

### Operating Temperature :

41 °F to 95 °F (5 °C to 35 °C)

### Calibration Weight:

TC-620: 600 g  
TC-1200: 1,200 g  
TC-4200: 4,000 g  
TC-6200: 6,200 g

### Est. Weight:

TC-620: 2.9 lb (1.3 kg)  
TC-1200: 2.9 lb (1.3 kg)  
TC-4200: 5.9 lb (2.7 kg)  
TC-6200: 5.9 lb (2.7 kg)

### Warranty:

Five-year limited

### Return Policy:

Rice Lake standard policy

Model	Capacity	Readability	Repeatability	Linearity	Pan Size	Dimensions	Part #	List Price
TC-620	620 g	0.01 g	1 division	1 division	Ø 5.5 in (140 mm)	9.2 × 7.1 × 2.9 in (234 × 180 × 74 mm)	107232	\$815.00
TC-1200	1,200 g	0.1 g	1 division	1 division	6.7 × 5.6 in (170 × 142 mm)	10.4 × 7.5 × 3.4 in (264 × 191 × 86 mm)	107233	\$750.00
TC-4200	4,200 g	0.1 g	1 division	1 division	7 × 6.2 in (178 × 158 mm)	10.4 × 7.5 × 3.4 in (264 × 191 × 86 mm)	107234	\$815.00
TC-6200	6,200 g	0.1 g	1 division	1 division	7 × 6.2 in (178 × 158 mm)	10.4 × 7.5 × 3.4 in (264 × 191 × 86 mm)	107235	\$878.00

## Options/Accessories

Part #	Description	Price
107236	Rechargeable battery TC-620, TC-1200, 32 hr	\$121.00
107237	Rechargeable battery TC-4200, TC-6200, 32 hr	\$121.00
107238	RS-232 option with DIN-5-pin connector (not compatible with battery option) (TC-620, TC-1200)	\$150.00
107239	RS-232 option with DIN-5-pin connection (not compatible with battery option) (TC-4200,TC-6200)	\$150.00
107240	In-use dust cover, 620 g to 1,200 g	\$30.00
107250	In-use dust cover, 4,200 g to 6,200 g	\$30.00
109236	Underweigh hook TC-620, TC-1200	\$30.00
109292	Underweigh hook TC-4200, TC-6200	\$30.00
42566	120 V AC adapter/12 V DC	\$76.00
42168	230 V AC adapter	\$82.00
107243	Additional operating manual	\$18.00
75351	WinWedge® software	\$345.00
115303	5-pin DIN to DB9F RS-232 cable	\$111.00
115148	RS-232 manual	\$7.00

BALANCES  
RICE LAKE



# Equipoise® Series

## Standard Features

- LCD display
- Quick response
- Accumulation, counting and percentage modes
- 13 different units of measure
- Detachable enclosed weighing chamber (in capacities = 1 kg)
- Battery operation for up to 40 hours of continuous use (without backlight)
- RS-232 interface for connecting to printer or PC
- Plastic enclosure

## Specifications

### Weighing Units:

Gram, Ounce, Pound, Carat, Pennyweight, Troy Ounce, Grain (see technical manual for complete listing)

### Operating Modes:

Weighing, Percent Weighing, Parts Counting, Accumulation

### Power:

AC adapter (12V/500 mA); internal rechargeable battery (6V/1.2 Ah)

### Stabilization Time:

2 seconds

### Operating Temperature:

32 °F to 104 °F (0 °C to 40 °C)

### Calibration Weight:

EQ-300: 300 g, EQ-600: 600 g, EQ-1500: 1,500 g  
EQ-3000: 3,000 g, EQ-6000: 6,000 g

### Est. Weight:

6.6 lb (3 kg)

### Battery Life:

Up to 40 hours of continuous use (without backlight)

### Return Policy:

Rice Lake standard policy

### Warranty:

One-year limited

### Approval:

CE Approved



Model	Capacity	Readability	Repeatability	Linearity	Weighing Chamber	Pan Size	Part #	List Price
EQ-300	300 g	0.01 g	0.01 g	0.02 g	6.7 × 5.7 × 3.1 in (170 × 145 × 80 mm)	Ø 4.7 in (Ø 120 mm)	165338	\$321.00
EQ-600	600 g	0.02 g	0.02 g	0.04 g	6.7 × 5.7 × 3.1 in (170 × 145 × 80 mm)	Ø 4.7 in (Ø 120 mm)	165339	\$321.00
EQ-1500	1,500 g	0.05 g	0.05 g	0.1 g	N/A	4.8 × 5.6 in (122 × 142 mm)	165340	\$321.00
EQ-3000	3,000 g	0.1 g	0.1 g	0.2 g	N/A	4.8 × 5.6 in (122 × 142 mm)	165341	\$321.00
EQ-6000	6,000 g	0.2 g	0.2 g	0.4 g	N/A	4.8 × 5.6 in (122 × 142 mm)	165342	\$321.00

## Options/Accessories

Part#	Description	Price
41279	Printer cable, DB9M to 25-pin M	\$70.00
103142	SP742 dot matrix printer, tear bar	\$520.00
119919	AbleCable RS-232/USB cable (requires 130789)	\$190.00
130789	Slim line null modem adapter	\$14.50
131135	Aluminum case	\$103.00
165183	AC adapter, 110-240 V AC, interchangeable plugs	\$46.00



PN 165183 Multi-range AC adapter and multi-plug



BALANCES  
RICE LAKE



# MC Series

## Standard Features

- Super hybrid sensor technology
- Bright VFD display
- Manage ASTM and OIML weights
- Built-in calibration weight
- GLP/LIM/ISO compliant
- RS-232 interface for connecting to printer or PC
- Underweigh hook

## Specifications

### Weighing Units:

Gram, Ounce, Pound, Carat, Pennyweight, Troy Ounce, Pound/Ounce (See technical manual for complete listing)

### Operating Modes:

Weighing, Percentage, Comparator

### Power:

120/240 AC adapter

### Stabilization Time:

5 seconds

### Sensitivity Drift (10 °C to 30 °C):

MC-1000S, MC-6100, MC-10K: ± 2 ppm/°C  
MC-30K: ± 3 ppm/0 °C

### Operating Temperature:

41 °F to 104 °F (5 °C to 40 °C) 85% RH or less (no condensation)

### Calibration Weight:

MC-1000S: 1,000 g  
MC-6100: 6,000 g  
MC-10K: 10 kg  
MC-30K: 30 kg

### Est. Weight:

MC-1000S: 4.6 kg  
MC-6100: 5.1 kg  
MC-10K and MC-30K: 9.3 kg

### Warranty:

Five-year limited

### Return Policy:

A&D Weighing standard policy - restock fee may apply

Model	Capacity	Readability	Repeatability	Linearity	Pan Size	Dimensions	Part #	List Price
MC-1000S	1,100 g	0.1 mg	0.0005 g / 1 kg / 0.0004 g / 500 g	±0.002 g	5.04 × 5.04 in (128 × 128 mm)	8.27 × 12.48 × 3.39 in (210 × 317 × 86 mm)	151262	\$7,425.00
MC-6100	6,100 g	0.001 g	0.004 g / 5 kg / 0.0015 g / 2 kg	±0.02 g	5.79 × 5.79 in (147 × 147 mm)	10.63 × 8.27 in (270 × 210 mm)	151263	\$7,425.00
MC-10K	10.1 kg	0.001 g	0.005 g / 10 kg / 0.004 g / 5 kg	±0.03 g	10.63 × 8.27 in (270 × 210 mm)	11.81 × 13.80 × 4.37 in (300 × 355 × 111 mm)	151264	\$8,900.00
MC-30K	31 kg	0.01 g	0.015 g / 20 kg	±0.2 g	10.63 × 8.27 in (270 × 210 mm)	10.63 × 10.63 in (270 × 210 mm)	151265	\$8,900.00

## Options/Accessories

Part #	Model #	Description	Price
151266	AX-MC1000PAN	Auto center pan, MC-1000S	\$1,390.00
151267	AX-MC6100PAN	Auto center pan, MC-6100	\$1,390.00
151268	AX-MC10K-30KPAN	Auto center pan, MC-10/30K	\$1,770.00
151247	AD-1688	Data logger	\$370.00
97649	TB-648	AC adapter (120V/220V)	\$53.00
97695*	GX-04	Comparator output, factory installed	\$960.00
97696*	GX-06	Analog output, factory installed	\$1,010.00
97699	GX-12	Animal weigh pan	\$205.00
97700	GX-13	Density determination for MC-1000S	\$695.00
97607	AD-1682	External rechargeable battery pack	\$815.00
97612	SW-128	Foot switch	\$100.00
196128	AD-8127	Impact dot matrix, statistical printer, includes cable	\$1,030.00

\* Only one option may be installed and requires factory installation



BALANCES  
A&D WEIGHING

# Ion BM Series

## Standard Features

- Built-in fanless static eliminator
- Anti-static glass
- Weighing chamber
- Built-in motorized calibration weight
- One-touch environmental filters
- GLP/LIM/ISO compliant
- RS-232C and WinCT© software standard
- AD-1688 Weighing Data Logger included
- Underweigh hook

## Specifications

### Weighing Units:

Carat, Pennyweight, Troy Ounce (See technical manual for complete listing)

### Operating Modes:

Percentage, Counting

### Power:

120/240 AC adapter

### Stabilization Time:

BM-20: 10 seconds (typically)  
 BM-22: 8 to 10 seconds  
 BM-252: 8 seconds

### Sensitivity Drift (10 °C to 30 °C):

±2 ppm/°C (when automatic self-calibration is not used)

### Calibration Weight:

BM-20 and BM-22: 20 g  
 BM-252: 200 g

### Operating Temperature:

41 °F to 104 °F (5 °C to 40 °C), 85% RH or less (no condensation)

### Est. Weight:

10 kg (ships by motor freight)

### Warranty:

Five-year limited

### Return Policy:

A&D Weighing standard policy - restock fee may apply

Model	Capacity	Readability	Repeatability	Linearity	Pan Size	Dimensions	Part #	List Price
BM-20	22 g	0.000001 g	0.0025 mg	±0.010 mg	Ø 0.98 in (25 mm)	10.2 × 18.3 × 12.8 in (259 × 466 × 326 mm)	150762	\$19,525.00
BM-22	22 g / 5.1 g	0.00001 g / 0.000001 g	0.004 mg / 0.01 mg	±0.010 mg / 0.02 mg	Ø 0.98 in (25 mm)	10.2 × 18.3 × 12.8 in (259 × 466 × 326 mm)	150763	\$18,550.00
BM-252	250 g	0.00001 g	0.03 mg	±0.010 mg	Ø 3.6 in (90 mm)	10.2 × 18.3 × 12.8 in (259 × 466 × 326 mm)	150765	\$9,875.00

## Options/Accessories

Part #	Model #	Description	Price
150769	BM-08	Balance OPT, Ethernet BM	\$350.00
97606	AD-1653	Density determination kit (BM-252/200/300/500 only)	\$675.00
97609	AD-8922A	Remote controller	\$765.00
97608	AD-8920A	Universal remote display	\$325.00
97612	SW:128	Foot switch	\$100.00
97649	TB:648	AC adapter (120 V/220 V)	\$53.00
196128	AD-8127	Impact dot matrix, statistical printer, includes cable	\$1,030.00



BALANCES  
A&D WEIGHING

# Phoenix GH Series

## Standard Features

- Simple and easy to operate, adapts to your environment
- GLP/GMP/GCP/ISO compliant which outputs the calibration data and ID number of the balance for calibration confirmation to the AD-8121B printer
- Internal calibration mass; full digital calibration
- System diagnostic to alert operator of abnormal weighing conditions
- Weighing chamber
- RS-232 interface for connecting to printer or PC
- Data memory function
- Time and date function
- WinCT<sup>©</sup> communication tools software
- Liquid crystal display (LCD)
- Underweigh hook

## Specifications

### Weighing Units:

Carat, Pennyweight, Troy ounce, Decimal Ounce  
(See technical manual for complete listing)

### Operating Modes:

Percentage, Counting

### Power:

120 V AC (AC adapter) 50 Hz/60 Hz, 11 VA (110, 220, 240 available by special order)

### Stabilization Time:

Approx. 3.5 sec (0.1 mg)/8 sec (0.01 mg)

### Sensitivity Drift (10 °C to 30 °C):

±2 ppm/°C (when automatic self-calibration is not used)

### Calibration Weight:

20 g/50 g/100 g/200 g

### Operating Temperature:

41 °F to 104 °F (5 °C to 40 °C) 85% RH or less  
(no condensation)

### Est. Weight:

Approx. 18 lb (8.2 kg)

### Warranty:

Five-year limited

### Return Policy:

A&D Weighing standard policy - restock fee may apply

Model	Capacity	Readability	Repeatability	Linearity	Weighing Chamber	Pan Size	Dimensions	Part #	List Price
GH-202	220 g / 51 g	0.0001 / 0.00001 g	±0.2 mg / ±0.03 mg	0.1 mg / 0.02 mg	6.45 × 4.87 × 9.88 in (164 × 149 × 251 mm)	Ø 3.6 in (90 mm)	8.54 × 17.4 × 12.24 in (217 × 442 × 316 mm)	97601	\$6,100.00
GH-252	250 g / 101 g	0.0001 / 0.00001 g	±0.2 mg / ±0.10 mg	0.1 mg / 0.03 mg	6.45 × 4.87 × 9.88 in (164 × 149 × 251 mm)	Ø 3.6 in (90 mm)	8.54 × 17.4 × 12.24 in (217 × 442 × 316 mm)	97602	\$6,700.00

## Options/Accessories

Part#	Model#	Description	Price
97604	GH-08	Ethernet option for GH	\$350.00
97605	AD-100-2	Anti-theft device	\$90.00
97606	AD-1653	Density determination kit	\$675.00
97607	AD-1682	Rechargeable battery pack, external	\$815.00
97608	AD-8920A	Universal remote display	\$325.00
97609	AD-8922A	Remote controller	\$765.00
97610	AD-1683	Static eliminator	\$1,440.00
151247	AD-1688	Data logger	\$370.00
97612	SW:128	Foot switch	\$100.00
97649	TB:648	AC adapter (120 V/220 V)	\$53.00



# Gemini GR Series

## Standard Features

- GLP/GMP/GCP/ISO compliant software outputs the calibration data and ID number of the balance for calibration confirmation to the AD-8121B printer
- Easy-access door system
- Automatic self-calibration
- Data memory function
- Weighing chamber
- Internal calibration
- Liquid crystal display (LCD)
- RS-232 interface for connecting to printer or PC
- WinCT<sup>®</sup> communication tools software
- Underweigh hook

## Specifications

### Weighing Units:

Carat, Pennyweight, Troy Ounce, Decimal Ounce  
(See technical manual for complete listing)

### Operating Modes:

Percentage, Counting

### Power:

120 V AC (AC adapter) 50Hz/60 Hz, 11 VA (110, 220, 240 VAC adapter by special order)

### Stabilization Time:

Approx. 3.5 sec (0.1 mg)/8 sec (0.01 mg)

### Sensitivity Drift (10 °C to 30 °C):

±2 ppm/ °C (when automatic self-calibration is not used)

### Calibration Weight:

100 g/200 g

### Operating Temperature:

41 °F to 104 °F (5 °C to 40 °C) 85% RH or less  
(no condensation)

### Est. Weight:

Approx. 13.2 lb (6.0 kg)

### Warranty:

Five-year limited

### Return Policy:

A&D Weighing standard policy - restock fee may apply

Model	Capacity	Readability	Repeatability	Linearity	Weighing Chamber	Pan Size	Dimensions	Part #	List Price
GR-202	210 / 42 g	0.0001 / 0.00001 g	0.0001 / 0.00002 g	±0.0002 / ±0.00003 g	7.01 × 6.5 × 9.17 in (178 × 160 × 233 mm)	Ø 3.3 in (85 mm)	9.8 × 12.99 × 12.87 in (249 × 330 × 327 mm)	97628	\$5,625.00

## Options/Accessories

Part #	A&D Model #	Description	Price
97605	AD-100-2	Anti-theft device	\$90.00
97606	AD-1653	Density determination kit	\$675.00
97607	AD-1682	Rechargeable battery pack	\$815.00
97608	AD-8920A	Universal remote display	\$325.00
97609	AD-8922A	Remote controller	\$765.00
97610	AD-1683	Static eliminator	\$1,440.00
97612	SW:128	Foot switch	\$100.00
97649	TB:648	AC adapter (120 V/220 V)	\$53.00
151247	AD-1688	Data logger	\$370.00
196128	AD-8127	Impact dot matrix, statistical printer, includes cable	\$1,030.00



BALANCES  
A&D WEIGHING

# Ion BM Series

## Standard Features

- Built-in fanless static eliminator
- Anti-static glass
- Weighing chamber
- Built-in motorized calibration weight
- One-touch environmental filters
- GLP/LIM/ISO compliant
- RS-232C and WinCT© software standard
- AD-1688 Weighing Data Logger included
- Underweigh hook

## Specifications

### Weighing Units:

Carat, Pennyweight, Troy Ounce (See technical manual for complete listing)

### Operating Modes:

Percentage, Counting

### Power:

120/240 AC adapter

### Stabilization Time:

BM-200, BM-300, BM-500: approx. 3.5 seconds

### Sensitivity Drift (10 °C to 30 °C):

±2 ppm/°C (when automatic self-calibration is not used)

### Calibration Weight:

BM-200: 200 g  
BM-300: 300 g  
BM-500: 500 g

### Operating Temperature:

41 °F to 104 °F (5 °C to 40 °C), 85% RH or less (no condensation)

### Est. Weight:

10 kg (ships by motor freight)

### Warranty:

Five-year limited

### Return Policy:

A&D Weighing standard policy - restock fee may apply

Model	Capacity	Readability	Repeatability	Linearity	Pan Size	Dimensions	Part #	List Price
BM-200	220 g	0.0001 g	0.1 mg	±0.2 mg	Ø 3.6 in (90 mm)	10.2 × 18.3 × 12.8 in (259 × 466 × 326 mm)	150766	\$5,250.00
BM-300	320 g	0.0001 g	0.2 mg	±0.3 mg	Ø 3.6 in (90 mm)	10.2 × 18.3 × 12.8 in (259 × 466 × 326 mm)	150767	\$5,475.00
BM-500	520 g	0.0001 g	0.2 mg	±0.5 mg	Ø 3.6 in (90 mm)	10.2 × 18.3 × 12.8 in (259 × 466 × 326 mm)	150768	\$7,625.00

## Options/Accessories

Part #	Model #	Description	Price
150769	BM-08	Balance OPT, Ethernet BM	\$350.00
97606	AD-1653	Density determination kit	\$675.00
97609	AD-8922A	Remote controller	\$765.00
97608	AD-8920A	Universal remote display	\$325.00
97612	SW:128	Foot switch	\$100.00
97649	TB:648	AC adapter (120 V/220 V)	\$53.00
196128	AD-8127	Impact dot matrix, statistical printer, includes cable	\$1,030.00





# Phoenix GH Series

## Standard Features

- Simple and easy to operate, adapts to your environment
- GLP/GMP/GCP/ISO compliant which outputs the calibration data and ID number of the balance for calibration confirmation to the AD-8121B printer
- Internal calibration mass; full digital calibration
- System diagnostic to alert operator of abnormal weighing conditions
- Weighing chamber
- RS-232 interface for connecting to printer or PC
- Data memory function
- Time and date function
- WinCT<sup>©</sup> communication tools software
- Liquid crystal display (LCD)
- Underweigh hook

## Specifications

### Weighing Units:

Carat, Pennyweight, Troy Ounce, Decimal Ounce  
(See technical manual for complete listing)

### Operating Modes:

Percentage, Counting

### Power:

120 V AC (AC adapter) 50 Hz/60 Hz, 11 VA (110, 220, 240 available by special order)

### Stabilization Time:

Approx. 3.5 sec (0.1 mg)/8 sec (0.01 mg)

### Sensitivity Drift (10° C to 30° C):

±2 ppm/° C (when automatic self-calibration is not used)

### Calibration Weight:

GH-120: 50 g/100 g  
GH-200: 100 g/200 g  
GH-300: 100 g/200 g/300 g

### Operating Temperature:

41 °F to 104 °F (5 °C to 40 °C)  
85% RH or less (no condensation)

### Est. Weight:

Approx. 18 lb (8.2 kg)

### Warranty:

Five-year limited

### Return Policy:

A&D Weighing standard policy - restock fee may apply

Model	Capacity	Readability	Repeatability	Linearity	Weighing Chamber	Pan Size	Dimensions	Part #	List Price
GH-120	120 g	0.0001 g	±0.2 mg	0.1 mg	6.45 × 4.87 × 9.88 in (164 × 149 × 251 mm)	Ø 3.6 in (90 mm)	8.54 × 17.4 × 12.24 in (217 × 442 × 316 mm)	97597	\$4,050.00
GH-200	220 g	0.0001 g	±0.2 mg	0.1 mg	6.45 × 4.87 × 9.88 in (164 × 149 × 251 mm)	Ø 3.6 in (90 mm)	8.54 × 17.4 × 12.24 in (217 × 442 × 316 mm)	97599	\$4,575.00
GH-300	320 g	0.0001 g	±0.3 mg	0.2 mg	6.45 × 4.87 × 9.88 in (164 × 149 × 251 mm)	Ø 3.6 in (90 mm)	8.54 × 17.4 × 12.24 in (217 × 442 × 316 mm)	97600	\$5,425.00

## Options/Accessories

Part #	Model #	Description	Price
97604	GH-08	Ethernet option	\$350.00
97605	AD-100-2	Anti-theft device	\$90.00
97606	AD-1653	Density determination kit	\$675.00
97607	AD-1682	Rechargeable battery pack, external	\$815.00
97608	AD-8920A	Universal remote display	\$325.00
97609	AD-8922A	Remote controller	\$765.00
97610	AD-1683	Static eliminator	\$1,440.00
151247	AD-1688	Data logger	\$370.00
97612	SW:128	Foot switch	\$100.00
97649	TB:648	AC adapter (120 V/220 V)	\$53.00



BALANCES  
A&D WEIGHING

# Gemini GR Series

## Standard Features

- GLP/GMP/GCP/ISO compliant software outputs the calibration data and ID number of the balance for calibration confirmation to the AD-8121B printer
- Easy-access door system
- Automatic self-calibration
- Data memory function
- Weighing chamber
- Internal calibration
- Liquid crystal display (LCD)
- RS-232 interface for connecting to printer or PC
- WinCT<sup>®</sup> communication tools software
- Underweigh hook

## Specifications

### Weighing Units:

Carat, Pennyweight, Troy Ounce, Decimal Ounce  
(See technical manual for complete listing)

### Operating Modes:

Percentage, Counting

### Power:

120 V AC (AC adapter) 50Hz/60 Hz, 11 VA (110, 220, 240 VAC adapter by special order)

### Stabilization Time:

Approx. 3.5 sec (0.1 mg)/8 sec (0.01 mg)

### Sensitivity Drift (10 °C to 30 °C):

±2 ppm/°C (when automatic self-calibration is not used)

### Calibration Weight:

GR-120: 50 g/100 g  
GR-200: 100 g/200 g  
GR-300: 200 g/300 g

### Operating Temperature:

41 °F to 104 °F (5 °C to 40 °C) 85% RH or less  
(no condensation)

### Est. Weight:

13.2 lb (6.0 kg)

### Warranty:

Five-year limited

### Return Policy:

A&D Weighing standard policy - restock fee may apply

Model	Capacity	Readability	Repeatability	Linearity	Weighing Chamber	Pan Size	Dimensions	Part #	List Price
GR-120	120 g	0.0001 g	0.0001 g	±0.0002 g	7.01 × 6.5 × 9.17 in (178 × 160 × 233 mm)	Ø 3.3 in (85 mm)	9.8 × 12.99 × 12.87 in (249 × 330 × 327 mm)	97625	\$3,500.00
GR-200	210 g	0.0001 g	0.0001 g	±0.0002 g	7.01 × 6.5 × 9.17 in (178 × 160 × 233 mm)	Ø 3.3 in (85 mm)	9.8 × 12.99 × 12.87 in (249 × 330 × 327 mm)	97626	\$3,975.00
GR-300	310 g	0.0001 g	0.0001 g	±0.0002 g	7.01 × 6.5 × 9.17 in (178 × 160 × 233 mm)	Ø 3.3 in (85 mm)	9.8 × 12.99 × 12.87 in (249 × 330 × 327 mm)	97627	\$4,950.00

## Options/Accessories

Part #	A&D Model #	Description	Price
97605	AD-100-2	Anti-theft device	\$90.00
97606	AD-1653	Density determination kit	\$675.00
97607	AD-1682	Rechargeable battery pack	\$815.00
97608	AD-8920A	Universal remote display	\$325.00
97609	AD-8922A	Remote controller	\$765.00
97610	AD-1683	Static eliminator	\$1,440.00
97612	SW:128	Foot switch	\$100.00
97649	TB:648	AC adapter (120 V/220 V)	\$53.00
151247	AD-1688	Data logger	\$370.00
196128	AD-8127	Impact dot matrix, statistical printer, includes cable	\$1,030.00



# HR-AZ/A Series

## Standard Features

- Fast stabilization time
- One-touch calibration in HR-AZ models
- Compact size
- Weighing chamber
- Rotary sliding doors
- Removable breeze break with anti-static coating
- GLP/GMP/GCP/ISO compliant

## Specifications

### Weighing Units:

Carat, Pennyweight, Troy Ounce, Decimal Ounce  
(See technical manual for complete listing)

### Operating Modes:

Weighing, Percent Weighing, Parts Counting, Density

### Power:

120/240 AC adapter

### Stabilization Time:

3 seconds

### Operating Temperature:

41 °F to 104 °F (5 °C to 40 °C), 85% RH or less  
(no condensation)

### Calibration Weight:

HR-100A and HR100AZ: 200 g  
HR-150A and HR-150AZ: 150 g  
HR-250A and HR-250AZ: 100 g

### Est. Weight:

8.6 lb (3.9 kg)

### Warranty:

Five-year limited

### Return Policy:

A&D Weighing standard policy -  
restock fee may apply

Model	Capacity	Readability	Repeatability	Linearity	Pan Size	Dimensions	Part #	List Price
HR-100A	102 g	0.0001 g	0.1 mg	± 0.2 mg	Ø 3.6 in (90 mm)	7.8 × 11.6 × 12.3 in (198 × 294 × 313 mm)	150777	\$2,090.00
HR-100AZ	102 g	0.0001 g	0.1 mg	± 0.2 mg	Ø 3.6 in (90 mm)	7.8 × 11.6 × 12.3 in (198 × 294 × 313 mm)	150779	\$2,575.00
HR-150A	152 g	0.0001 g	0.1 mg	± 0.2 mg	Ø 3.6 in (90 mm)	7.8 × 11.6 × 12.3 in (198 × 294 × 313 mm)	150780	\$2,200.00
HR-150AZ	152 g	0.0001 g	0.1 mg	± 0.2 mg	Ø 3.6 in (90 mm)	7.8 × 11.6 × 12.3 in (198 × 294 × 313 mm)	150781	\$2,700.00
HR-250A	252 g	0.0001 g	<200 mg 0.1 mg / >200 mg 0.2 mg	± 0.3 mg	Ø 3.6 in (90 mm)	7.8 × 11.6 × 12.3 in (198 × 294 × 313 mm)	150782	\$2,400.00
HR-250AZ	252 g	0.0001 g	<200 mg 0.1 mg / >200 mg 0.2 mg	± 0.3 mg	Ø 3.6 in (90 mm)	7.8 × 11.6 × 12.3 in (198 × 294 × 313 mm)	150783	\$2,875.00

## Options/Accessories

Part#	A&D Model#	Description	Price
151247	AD-1688	Data logger	\$370.00
98027*	FXi-02	Quick USB interface with cable	\$105.00
98028*	FXi-08	Ethernet interface with WINCT© Plus	\$350.00
98029*	FXi-09	Rechargeable battery	\$390.00
97649	TB:648	AC adapter (120 V/220 V)	\$53.00

\*Only one option may be installed and factory installation required



BALANCES  
A&D WEIGHING

# Orion HR Series

## Standard Features

- GLP/GMP/GCP/ISO compliant software outputs the calibration data and ID number of the balance for calibration confirmation to the AD-8121B printer
- System diagnostics to alert the operator of abnormal weighing conditions
- RS-232C bidirectional interface (option for HR-60, HR-120 and HR-200; standard for HR-300i and HR-202i)
- Weighing chamber
- Liquid crystal display (LCD)
- WinCT<sup>®</sup> communication tools software
- Underweigh hook

*Note: Orion HR series does have internal calibration*

## Specifications

### Weighing Units:

Carat, Pennyweight, Troy Ounce, Decimal Ounce  
(See technical manual for complete listing)

### Operating Modes:

Percentage, Counting

### Power:

120 V AC (AC adapter) 50 Hz/60 Hz (110, 220, 240 V  
AC adapter available by special order)

### Stabilization Time:

Approx. 3.5 seconds

### Sensitivity Drift (10 °C to 30 °C):

±2 ppm/ °C (when automatic self-calibration  
is not used)

### Calibration Weight:

300 g/200 g/100 g

### Operating Temperature:

41 °F to 104 °F (5 °C to 40 °C)  
85% RH or less  
(no condensation)

### Est. Weight:

Approx. 17.6 lb (8.0 kg)

### Warranty:

Five-year limited

### Return Policy:

A&D Weighing standard policy -  
restock fee may apply

Model	Capacity	Readability	Repeatability	Linearity	Weighing Chamber	Pan Size	Dimensions	Part #	List Price
HR-300i	320 g	0.0001 g	±0.0003 mg	0.0002 mg	6.45 × 5.84 × 9.88 in (164 × 149 × 251 mm)	Ø 3.6 in (90 mm)	8.54 × 17.4 × 12.24 in (217 × 442 × 316 mm)	97642	\$4,725.00

## Options/Accessories

Part #	A&D Model #	Description	Price
97605	AD-100-2	Anti-theft device	\$90.00
97606	AD-1653	Density determination kit	\$675.00
97607	AD-1682	Rechargeable battery pack	\$815.00
97608	AD-8920A	Universal remote display	\$325.00
97610	AD-1683	Static eliminator	\$1,440.00
97609	AD-8922A	Remote controller	\$765.00
97649	TB:648	AC adapter (120 V/220 V)	\$53.00
151247	AD-1688	Data logger	\$370.00
196128	AD-8127	Impact dot matrix, statistical printer, includes cable	\$1,030.00



# AD-4212A Series

## Standard Features

- Comparator output (Hi/OK/Lo) feature for manual or automatic operation as well as buzzer function
- GLP/GMP compliant software output
- Breeze break for maximum accuracy and fastest response
- Standard calibration weight
- Simple operator reference card provided
- Multi-weighing units
- Time and date clock function
- Data memory function for weighing, calibration, counting and Hi/OK/Lo values
- Super Hybrid Sensor Technology (SHS)
- WinCT<sup>©</sup> communication tools software
- RS-232 interface for connecting to printer or PC

## Specifications

### Weighing Units:

Milligram, ounce, carat, pennyweight, troy ounce, grain (see technical manual for complete listings)

### Operating Modes:

Counting, percentage

### Power Supply:

120 VAC adapter, 11 VA

### Stabilization Time (typical):

AD-4212A-100, AD-4212B-102:  
0 to 30 g approx. 1.3 seconds  
30 to 110 g approx. 1.3 seconds

### I/O Interface Comparator Output:

3 level output with buzzer

### I/O Interface External Contact Input:

Re-zero and print

### Calibration Weight:

50 g

### Connection Cable:

Approx. 2 m (between weighing unit and display unit)

### Operating Temperature:

41 °F to 104 °F (5 °C to 40 °C) 85% RH or less (no condensation)

### Est. Weight:

8.5 lb (4 kg)

### Warranty:

Five-year limited

### Return Policy:

A&D Weighing standard policy - restock fee may apply

Model	Capacity	Readability	Repeatability	Linearity	Pan Size	Dimensions	Part #	List Price
AD-4212A-100	110 g	0.1 mg	0.15 g	±0.3 mg	2 × 2 in (50 × 50 mm)	3.2 × 9.1 × 3.5 in (80 × 230 × 90 mm)	97654	\$6,500.00
AD-4212B-102	110 g	0.01 mg	0.15 g	±0.3 mg	2 × 2 in (50 × 50 mm)	3.2 × 9.1 × 3.5 in (80 × 230 × 90 mm)	102925	\$10,050.00
AD-4212B-201	210 g	0.1 mg	1 mg	±2 mg	2 × 2 in (50 × 50 mm)	3.2 × 9.1 × 3.5 in (80 × 230 × 90 mm)	102926	\$7,700.00
AD-4212B-301	310 g	0.1 mg	1 mg	±2 mg	2 × 2 in (50 × 50 mm)	3.2 × 9.1 × 3.5 in (80 × 230 × 90 mm)	102927	\$8,550.00

## Options/Accessories

Part #	A&D Model #	Description	Price
97672	AD-4212A-01	BCD output (factory installed, four month lead time)	\$615.00
97674	AD-4212A-07	Extension cable, 3 m	\$180.00
97675	AD-4212A-08	Ethernet interface with WinCT <sup>©</sup>	\$350.00
97676	AD-4212A-19	Stainless steel breeze break (200 g only)	\$130.00



BALANCES  
A&D WEIGHING



# Apollo GF Series

## Standard Features

- Electronically controlled load (ECL) self-diagnostic before internal repeatability test without an external weight in less than 1.5 minutes
- External calibration
- Impact shock detection
- Flow rate display
- RS-232 interface for connecting to printer or PC
- Password protection and anti-theft security slot
- GLP/GMP/ISO compliant to either AD-8127 printer or computer
- Transmits date, time, ID number, serial number, model, manufacturer and calibration data
- Rechargeable battery option for portability
- Super Hybrid Sensor Technology (SHS)
- Reverse backlit LCD display
- Optional glass breeze break
- Underhook weighing

## Specifications

### Weighing Units:

Gram, Ounce, Pound, Pound/Ounce, Troy Ounce, Grain (See technical manual for complete listing)

### Operating Modes:

Weigh, Count and Percent

### Power:

110/220V VAC adapter

### Stabilization Time:

Approx. 1 second (typical in FAST mode)

### Calibration Weight:

GF-124A: 100 g  
GF-224A: 200 g  
GF-324A: 300 g

### Operating Temperature:

41 °F to 104 °F (5 °C to 40 °C)

### Est. Weight:

11 lb (5.2 kg)

### Warranty:

Five-year limited

### Return Policy:

A&D Weighing standard policy - restock fee may apply

Model	Capacity	Readability	Repeatability	Linearity	Weighing Chamber	Pan Size	Dimensions	Part #	List Price
GF-124A	120 g	0.0001 g	0.0001 g	±0.0002 g	8.78 in H (223 mm H)	Ø 3.6 in (90 mm)	10.2 × 14.1 × 13.1 in (259 × 358 × 332 mm) <i>Includes Large Glass Breeze Break</i>	200327	\$2,775.00
GF-224A	220 g	0.0001 g	0.0001 g	±0.0002 g	8.78 in H (223 mm H)	Ø 3.6 in (90 mm)	10.2 × 14.1 × 13.1 in (259 × 358 × 332 mm) <i>Includes Large Glass Breeze Break</i>	200328	\$3,025.00
GF-324A	320 g	0.0001 g	0.0002 g (300 g) 0.0001 g (200 g)	±0.0003 g	8.78 in H (223 mm H)	Ø 3.6 in (90 mm)	10.2 × 14.1 × 13.1 in (259 × 358 × 332 mm) <i>Includes Large Glass Breeze Break</i>	200329	\$3,575.00

## Options/Accessories

Part #	A&D Model #	Description	Price
192662	GXA-03	RS-232C interface (D-sub 9-pin male)	\$275.00
192663	GXA-04	Comparator output (requires 192667)	\$260.00
192667	AX-K05692	MiniDIN 8-pin male for GXA-04	\$58.00
192671	GXA-06	Analog output (includes 192673)	\$260.00
192674	GXA-09	Internal rechargeable battery (must be factory installed)	\$545.00
192675	GXA-10	Large glass breeze break	\$385.00
192676	GXA-12	Animal weighing pan (for models of 320 g capacity or higher)	\$175.00
192677	GXA-13	Density determination kit (for 1 mg models only)	\$595.00
192678	GXA-17	Large breeze break with built-in fanless ionizer (static eliminator)	\$1,670.00
192679	GXA-23-PRINT	External key input interface for SW:137-PRINT foot switch	\$250.00
192680	GXA-23-RZERO	External key input interface for SW:137-REZERo foot switch	\$245.00
192681	GXA-23-PLUG	External key input interface for AX-T-314A-S plug	\$245.00
192682	GXA-24	USB host interface (USB A type)	\$130.00
192683	GXA-25	External fanless ionizer (static eliminator)	\$960.00
192684	GXA-26	External IR switch (MiniDIN 4-pin male)	\$205.00



Apollo GF-324A

# Apollo GX Series

## Standard Features

- Electronically controlled load (ECL) self-diagnostic before internal repeatability test without an external weight in less than 1.5 minutes
- Internal calibration weight
- Impact shock detection
- Flow rate display
- RS-232 interface for connecting to printer or PC
- Password protection and anti-theft security slot
- GLP/GMP/ISO compliant to either AD-8127 printer or computer
- Transmits date, time, ID number, serial number, model, manufacturer and calibration data
- Rechargeable battery option for portability
- Super Hybrid Sensor Technology (SHS)
- Reverse backlit LCD display
- Optional glass breeze break
- Under weigh hook

## Specifications

### Weighing Units:

Gram, Ounce, Pound, Carat, Pennyweight, Troy Ounce, Grain (See technical manual for complete listing)

### Operating Modes:

Animal Weighing, Comparator Function, ACAI Counting Function, Percentage, Density Determination, Statistical Calculation

### Power:

120 VAC adapter, Approx. 30 VA

### Stabilization Time:

GX-124A: Approx. 1.5 seconds  
GX-124AE: Approx. 2 seconds  
GX-224A, GX-224AE: Approx. 1 second  
GX-324A, GX-324AE: Approx. 2 seconds

### Display Refresh Rate:

5 times/second, 10 times/second, 20 times/second

### Calibration Weight:

GX-124A, GX-124AE: 100 g  
GX-224A, GX-224AE, GX-324A, GX-324AE: 200 g

### Ionizer (fanless):

AE versions come standard with built-in fanless ionizer with external touchless sensor

### Operating Temperature:

41 °F to 104 °F (5 °C to 40 °C) RH less than 85% (no condensation)

### Est. Weight:

18 lb (8 kg)

### Warranty:

Five-year limited

### Return Policy:

A&D Weighing standard policy - restock fee may apply

Model	Capacity	Readability	Repeatability	Linearity	Weighing Chamber	Pan Size	Dimensions	Part #	List Price
GX-124A	120 g	0.0001 g	0.0001 g	±0.0002 g	8.78 in H (223 mm H)	Ø 3.6 in (90 mm)	10.2 × 14.1 × 13.1 in (259 × 358 × 332 mm) <i>Includes Large Glass Breeze Break</i>	200330	\$3,300.00
GX-124AE	120 g	0.0001 g	0.0001 g	±0.0002 g	8.78 in H (223 mm H)	Ø 3.6 in (90 mm)	10.2 × 14.1 × 13.1 in (259 × 358 × 332 mm) <i>Includes Large Glass Breeze Break</i>	200334	\$4,625.00
GX-224A	220 g	0.0001 g	0.0001 g	±0.0002 g	8.78 in H (223 mm H)	Ø 3.6 in (90 mm)	10.2 × 14.1 × 13.1 in (259 × 358 × 332 mm) <i>Includes Large Glass Breeze Break</i>	200332	\$3,550.00
GX-224AE	220 g	0.0001 g	0.0001 g	±0.0002 g	8.78 in H (223 mm H)	Ø 3.6 in (90 mm)	10.2 × 14.1 × 13.1 in (259 × 358 × 332 mm) <i>Includes Large Glass Breeze Break</i>	200335	\$4,825.00
GX-324A	320 g	0.0001 g	0.0002 g (300 g) 0.0001 g (200 g)	±0.0003 g	8.78 in H (223 mm H)	Ø 3.6 in (90 mm)	10.2 × 14.1 × 13.1 in (259 × 358 × 332 mm) <i>Includes Large Glass Breeze Break</i>	200333	\$3,975.00
GX-324AE	320 g	0.0001 g	0.0002 g (300 g) 0.0001 g (200 g)	±0.0003 g	8.78 in H (223 mm H)	Ø 3.6 in (90 mm)	10.2 × 14.1 × 13.1 in (259 × 358 × 332 mm) <i>Includes Large Glass Breeze Break</i>	200336	\$5,175.00

## Options/Accessories

Part #	A&D Model #	Description	Price
192662	GXA-03	RS-232C Interface (D-sub 9-pin male)	\$275.00
192663	GXA-04	Comparator output (requires 192667)	\$260.00
192667	AX-K05692	MiniDIN 8-pin male for GXA-04	\$58.00
192671	GXA-06	Analog output (includes 192673)	\$260.00
192674	GXA-09	Internal rechargeable battery (must be factory installed)	\$545.00
192675	GXA-10	Large glass breeze break	\$385.00
192676	GXA-12	Animal weighing pan (for models of 320 g capacity or higher)	\$175.00
192677	GXA-13	Density determination kit (for 1 mg models only)	\$595.00
192679	GXA-23-PRINT	External key input interface for SW:137-PRINT foot switch	\$250.00
192680	GXA-23-RZERO	External key input interface for SW:137-REZERo foot switch	\$245.00
192681	GXA-23-PLUG	External key input interface for AX-T-314A-S plug	\$245.00
192682	GXA-24	USB host interface (USB A type)	\$130.00
192683	GXA-25	External fanless ionizer (static eliminator)	\$960.00
192684	GXA-26	External IR switch (MiniDIN 4-pin male)	\$205.00



BALANCES  
A&D WEIGHING

# GF-P Series

## Standard Features

- Pill-counting feature also complies with Handbook 44 requirements
- Fast, Super Hybrid Sensor (SHS) gives you the ultimate in response speed; just one second
- GLP/GMP/ISO compliance
- WinCT<sup>©</sup> communication tools software included
- Weighing chamber
- Tough die-cast aluminum housing
- Removable stainless steel pan 5 × 5 in (127 × 127 mm)
- NTEP Certified and Pharmacopoeia approved
- IP54 splash proof operator keyboard protects against dust and spills, stainless steel weigh pan
- Data memory function
- Vacuum Fluorescent Display (VFD)
- RS-232 interface for connecting to printer or PC

## Specifications

### Weighing Units:

Gram, Ounce, Pound, Pound/Ounce, Troy Ounce, Grain (See technical manual for complete listing)

### Operating Modes:

Weigh, Count and Percent

### Power:

110/220V VAC adapter

### Stabilization Time:

Approx. 1 second (typical in FAST mode)

### Decimal Ounce:

GF-200P: 7.40755 × 0.00005 oz

GF-300P: 10.93493 × 0.00005 oz

### Calibration Weight:

GF-200P, GF-300P: 200 g

### Operating Temperature:

41 °F to 104 °F (5 °C to 40 °C)

### Est. Weight:

11 lb (5.2 kg)

### Warranty:

Five-year limited

### Return Policy:

A&D Weighing standard policy - restock fee may apply

### Approvals:

NTEP CC 04-077 e=0.01 g



Model	Capacity	Readability	Repeatability	Linearity	Weighing Chamber	Pan Size	Dimensions	Part #	List Price
GF-200P	210 g	0.001 g	0.001 g	±0.002 g	3.6 in H (92 mm)	5 × 5 in (127 mm)	8.27 × 12.48 × 3.39 in (210 × 317 × 86 mm)	97799	\$1,600.00
GF-300P	310 g	0.001 g	0.001 g	±0.002 g	3.6 in H (92 mm)	5 × 5 in (127 mm)	8.27 × 12.48 × 3.39 in (210 × 317 × 86 mm)	97800	\$1,900.00

## Options/Accessories

Part #	A&D Model #	Description	Price
102891	GX-02	USB option	\$180.00
97697	GX-10	Glass breeze break for GF-200 and 300	\$325.00
97703	AX:073003691-S	Protective in-use cover for GF-200/300 (each)	\$26.50
97649	TB:648	AC adapter (120 V/220 V) standard with unit	\$53.00

BALANCES  
A&D WEIGHING



# FX-i Series

## Standard Features

- Compact Super Hybrid Sensor Technology (SHS)
- Vacuum Fluorescent Display (VFD)
- GLP/GMP/ISO compliant to either AD-8121 printer or computer. Transmits date, time, ID number, serial number and calibration data.
- RS-232 interface for connecting to printer or PC
- Response indicator function
- Weighing chamber
- Under weigh hook

## OPTIONS

- Built-in rechargeable battery
- Quick USB interface (FXi-02) option
- LAN-Ethernet interface
- WinCT© communication tools software

## Specifications

### Weighing Units:

Pound, Carat, Pennyweight, Troy Ounce, Grain, Pound/Ounce (See technical manual for complete listings)

### Operating Modes:

Weigh, Count, Percent, Animal Weighing, Statistical, Hold and Comparator

### Power Consumption:

120/240 VAC adapter, approx. 11 VA

### Stabilization Time:

Approx. 1 second

### Sensitivity Drift (10 °C to 30 °C):

±2 ppm/°C (when automatic self-calibration is not used)

### Display Refresh Rate:

5 times/second, 10 times/second or 20 times/second

### Operating Temperature:

41 °F to 104 °F (5 °C to 40 °C)  
85% RH or less

### Calibration Weight:

FX-300i: 300 g  
FX-1200i: 1,000 g

### Est. Weight:

8 lb (3.5 kg)

### Warranty:

Five-year limited

### Return Policy:

A&D Weighing standard policy - restock fee may apply

### Approvals:

NTEP 08-045A4  
Measurement Canada AM-5692



Measurement  
Canada  
Approved

Model	Capacity	Readability	Repeatability	Linearity	Pan Size	Dimensions	Part #	List Price
<b>NTEP Certified</b>								
FX-1200iIN	1,220 g	0.01 g	0.01 g	±0.02 g	5.90 in (150 mm)	7.6 × 10.3 × 3.3 in (193 × 263 × 85 mm)	163641	\$1,340.00
<b>Measurement Canada Approved</b>								
FX-300iNC	320 g	0.001 g	0.001 g	±0.002 g	5.12 in (130 mm)	7.6 × 10.3 × 3.3 in (193 × 263 × 85 mm)	168077	\$1,420.00
FX-1200iNC	1,220 g	0.01 g	0.01 g	±0.02 g	5.90 in (150 mm)	7.6 × 10.3 × 3.3 in (193 × 263 × 85 mm)	168076	\$1,340.00

## Options/Accessories

Part #	A&D Model #	Description	Price
98027*	FXi-02	Quick USB interface	\$105.00
98028*	FXi-08	Ethernet interface with WinCT© Plus software	\$350.00
98029*	FXi-09	Built-in rechargeable battery	\$390.00
98030	FXi-10	Small breeze break	\$95.00
98031	FXi-11	Large breeze break	\$160.00
97649	TB:648	AC adapter (120 V/220 V)	\$53.00
151247	AD-1688	Data logger	\$370.00
196128	AD-8127	Impact dot matrix, statistical printer, includes cable	\$1,030.00

\*Options FXi-02/FXi-08 and FXi-09 cannot be combined and are factory installed only.



BALANCES  
A&D WEIGHING

# EK-i Series

## Standard Features

- Backlit weight display
- Remote zeroing
- Easy-to-install NiCad battery option
- RS-232 interface for connecting to printer or PC

## Specifications

### Weighing Units:

Carat, Pennyweight, Troy Ounce, Newton, Decimal Ounce, Decimal Pound

### Operating Modes:

Counting, Percentage

### Power:

120 VAC adapter (Optional Ni-MH battery pack)

### Stabilization Time:

< 2 seconds

### Sensitivity Drift (10 °C to 30 °C):

±20 ppm/°C (when automatic self-calibration is not used)

### Display Type:

7 segment LCD with backlight (character height 16 mm)

### Operating Temperature:

14 °F to 104 °F (-10 °C to 40 °C) less than 85% R.H. (non-condensing)

### Calibration Weight:

EK-600i: 400 g  
 EK-1200i: 1,200 g  
 EK-6000i: 6,000 g  
 EK-12i: 12 kg

### Est. Weight:

3.5 lb (1.5 kg)

### Warranty:

Five-year limited

### Return Policy:

A&D Weighing standard policy - restock fee may apply

### Approvals:

NTEP CC-04-019A3



Model	Capacity	Readability	Repeatability	Linearity	Pan Size	Dimensions	Part #	List Price
<b>NTEP Certified</b>								
EK-600i	600 g	0.1 g	0.1 g	±0.1 g	5.2 × 6.7 in (133 × 170 mm)	7.5 × 8.6 × 2.2 in (190 × 218 × 55 mm)	<b>97752</b>	\$620.00
EK-1200i	1,200 g	0.1 g	0.1 g	±0.1 g	5.2 × 6.7 in (133 × 170 mm)	7.5 × 8.6 × 2.2 in (190 × 218 × 55 mm)	<b>97753</b>	\$615.00
EK-6000i	6,000 g	1 g	1 g	±1 g	5.2 × 6.7 in (133 × 170 mm)	7.5 × 8.6 × 2.2 in (190 × 218 × 55 mm)	<b>97758</b>	\$665.00
EK-12i	12,000 g	1 g	1 g	±1 g	5.2 × 6.7 in (133 × 170 mm)	7.5 × 8.6 × 2.2 in (190 × 218 × 55 mm)	<b>97759</b>	\$840.00

## Options/Accessories

Part #	A&D Model #	Description	Price
<b>97760</b>	EKW-04i	Comparator/relay outputs/buzzer	\$200.00
<b>97761</b>	EKW-07i	Underhook for EK-4100i/6100i/6000i/12Ki/EW-12Ki	\$63.00
<b>97762</b>	EKW-09i	NiCad battery pack	\$255.00
<b>97764</b>	AX:3005824-5S	Protective dust cover (not in use)	\$15.75
<b>97605</b>	AD-100-2	Anti-theft device	\$90.00
<b>97766</b>	TB:662	AC adapter (120 V)	\$47.50
<b>97767</b>	TB:164	AC adapter (240 V)	\$69.00
<b>151247</b>	AD-1688	Data logger	\$370.00

BALANCES  
A&D WEIGHING





# EW-i Series

## Standard Features

- Backlit weight display
- Remote zeroing
- Easy-to-install NiCad battery option
- RS-232 interface for connecting to printer or PC
- Triple range

## Specifications

### Weighing Units:

Carat, Pennyweight, Troy Ounce, Decimal Ounce, Decimal Pound

### Operating Mode:

Counting, Percentage, Comparator

### Power:

AC adapter or Ni-MH battery pack (option)

### Stabilization Time:

< 2 seconds

### Sensitivity Drift (10 °C to 30 °C):

±20 ppm/°C (when automatic self-calibration is not used)

### Operating Temperature:

14 °F to 104 °F (-10 °C to 40 °C) less than 85% R.H. (non-condensing)

### Calibration Weight:

EW-1500i: 1,500 g  
EW-12Ki: 12 kg

### Est. Weight:

3.5 lb (1.5 kg)

### Warranty:

Five-year limited

### Return Policy:

A&D Weighing standard policy - restock fee may apply

### Approvals:

NTEP CC 04-019A3



Model	Capacity	Readability	Repeatability	Linearity	Pan Size	Dimensions	Part #	List Price
<b>NTEP Certified</b>								
EW-1500i	300 g / 600 g / 1,500 g	0.1 g / 0.2 g / 0.5 g	0.1 g / 0.2 g / 0.5 g	±0.1 g / ±0.2 g / ±0.5 g	5.2 × 6.7 in (133 × 170 mm)	7.5 × 8.6 × 2.2 in (190 × 218 × 55 mm)	97769	\$500.00
EW-12Ki	3,000 g / 6,000 g / 12,000 g	1 g / 2 g / 5 g	1 g / 2 g / 5 g	±1 g / ±2 g / ±5 g	5.2 × 6.7 in (133 × 170 mm)	7.5 × 8.6 × 2.2 in (190 × 218 × 55 mm)	97771	\$500.00

## Options/Accessories

Part #	A&D Model #	Description	Price
97760	EKW-04i	Comparator/relay outputs/buzzer	\$200.00
97761	EKW-07i	Underhook for EK-4100i/6100i/6000i/12Ki/EW-12Ki	\$63.00
97762	EKW-09i	NiCad battery pack	\$255.00
97764	AX:3005824-5S	Protective dust cover (not in use)	\$15.75
97605	AD-100-2	Anti-theft device	\$90.00
97766	TB:662	AC adapter (120 V)	\$47.50
97767	TB:164	AC adapter (240 V)	\$69.00
151247	AD-1688	Data logger	\$370.00



EW-1500i square pan

# Apollo GX Series

## Standard Features

- Electronically controlled load (ECL) self-diagnostic before internal repeatability test without an external weight in less than 1.5 minutes
- Internal calibration weight
- Impact shock detection
- Flow rate display
- RS-232 interface for connecting to printer or PC
- Password protection and anti-theft security slot
- GLP/GMP/ISO compliant to either AD-8127 printer or computer
- Transmits date, time, ID number, serial number, model, manufacturer and calibration data
- Rechargeable battery option for portability
- Super Hybrid Sensor Technology (SHS)
- Reverse backlit LCD display
- Optional glass breeze break
- Under weigh hook

## Specifications

### Weighing Units:

Gram, Ounce, Pound, Carat, Pennyweight, Troy Ounce, Grain (See technical manual for complete listing)

### Operating Modes:

Animal Weighing, Comparator Function, ACAI Counting Function, Percentage, Density Determination, Statistical Calculation

### Power:

120 VAC adapter, Approx. 30 VA

### Stabilization Time:

Approx. 1 second

### Display Refresh Rate:

5 times/second, 10 times/second or 20 times/second

### Ionizer (fanless):

AE versions come standard with built-in fanless ionizer with external touchless sensor

### Calibration Weight:

GX-203A, GX-303A: 200 g  
GX-403A: 400 g  
GX-603A: 600 g  
GX-1003A, GX-1603A: 1000 g

### Est. Weight:

18 lb (8 kg)

### Operating Temperature:

41 °F to 104 °F (5 °C to 40 °C)  
RH less than 85% (no condensation)

### Warranty:

Five-year limited

### Return Policy:

A&D Weighing standard policy - restock fee may apply

Model	Capacity	Readability	Repeatability	Linearity	Weighing Chamber	Pan Size	Dimensions	Part #	List Price
GX-203A	220 g	0.001 g	0.001 g	±0.002 g	3 in (85 mm)	5 × 5 in (128 × 128 mm)	8.3 × 12.5 × 3.7 in (212 × 317 × 93 mm)	191691	\$1,950.00
GX-303A	320 g	0.001 g	0.001 g	±0.002 g	3 in (85 mm)	5 × 5 in (128 × 128 mm)	8.3 × 12.5 × 3.7 in (212 × 317 × 93 mm)	191692	\$2,160.00
GX-403A	420 g	0.001 g	0.001 g	±0.002 g	3 in (85 mm)	5 × 5 in (128 × 128 mm)	8.3 × 12.5 × 3.7 in (212 × 317 × 93 mm)	191693	\$2,290.00
GX-603A	620 g	0.001 g	0.001 g	±0.002 g	3 in (85 mm)	5 × 5 in (128 × 128 mm)	8.3 × 12.5 × 3.7 in (212 × 317 × 93 mm)	191694	\$3,000.00
GX-1003A	1,100 g	0.001 g	0.001 g	±0.003 g	3 in (85 mm)	5 × 5 in (128 × 128 mm)	8.3 × 12.5 × 3.7 in (212 × 317 × 93 mm)	191695	\$3,450.00
GX-1603A	1,620 g	0.001 g	0.001 g	±0.003 g	3 in (85 mm)	5 × 5 in (128 × 128 mm)	8.3 × 12.5 × 3.7 in (212 × 317 × 93 mm)	191696	\$3,925.00

## Options/Accessories

Part#	A&D Model #	Description	Price
192662	GXA-03	RS-232C interface (D-sub 9-pin male)	\$275.00
192663	GXA-04	Comparator output (requires 192667)	\$260.00
192667	AX-K05692	MiniDIN 8-pin male for GXA-04	\$58.00
192671	GXA-06	Analog output	\$260.00
192674	GXA-09	Internal rechargeable battery (must be factory installed)	\$545.00
192675	GXA-10	Large glass breeze break	\$385.00
192676	GXA-12	Animal weighing pan (for models of 320 g capacity or higher)	\$175.00
192677	GXA-13	Density determination kit (for 1 mg models only)	\$595.00
192678	GXA-17	Large breeze break with built-in fanless ionizer (static eliminator)	\$1,670.00
192679	GXA-23-PRINT	External key input interface for SW:137-PRINT foot switch	\$250.00
192680	GXA-23-RZERO	External key input interface for SW:137-REZERo foot switch	\$245.00
192681	GXA-23-PLUG	External key input interface for AX-T-314A-S plug	\$245.00
192682	GXA-24	USB host interface (USB A type)	\$130.00
192683	GXA-25	External fanless ionizer (static eliminator)	\$960.00
192684	GXA-26	External IR switch (MiniDIN 4-pin male)	\$205.00



# Apollo GF Series

## Standard Features

- Electronically controlled load (ECL) self-diagnostic before internal repeatability test without an external weight in less than 1.5 minutes
- External calibration
- Impact shock detection
- Flow rate display
- RS-232 interface for connecting to printer or PC
- Password protection and anti-theft security slot
- GLP/GMP/ISO compliant to either AD-8127 printer or computer
- Transmits date, time, ID number, serial number, model, manufacturer and calibration data
- Rechargeable battery option for portability
- Super Hybrid Sensor Technology (SHS)
- Reverse backlit LCD display
- Optional glass breeze break
- Under weigh hook

## Specifications

### Weighing Units:

Pound, Carat, Pennyweight, Troy Ounce, Grain, Decimal Ounce, Pound/Ounce

### Operating Modes:

Counting, Percentage

### Power:

120/240 VAC adapter

### Stabilization Time:

Approx. 1.5 seconds (typical in FAST mode)

### Display Refresh Rate

5 times/second or 10 times/second

### Calibration Weight:

GF-203A: 200 g  
 GF-303A: 300 g  
 GF-403A: 400 g  
 GF-603A: 600 g  
 GF-1003A: 1000 g  
 GF-1603A: 1500 g

### Operating Temperature:

41 °F to 104 °F (5 °C to 40 °C)  
 RH less than 85% (no condensation)

### Est. Weight:

18.3 lb (8.3 kg)

### Warranty:

Five-year limited

Model	Capacity	Readability	Repeatability	Linearity	Weighing Chamber	Pan Size	Dimensions	Part #	List Price
GF-203A	220 g	0.001 g	0.001 g	±0.002 g	3 in H (85 mm H)	5 × 5 in (128 × 128 mm)	8.3 × 12.5 × 3.7 in (212 × 317 × 93 mm)	191707	\$1,580.00
GF-303A	320 g	0.001 g	0.001 g	±0.002 g	3 in H (85 mm H)	5 × 5 in (128 × 128 mm)	8.3 × 12.5 × 3.7 in (212 × 317 × 93 mm)	191708	\$1,780.00
GF-403A	420 g	0.001 g	0.001 g	±0.003 g	3 in H (85 mm H)	5 × 5 in (128 × 128 mm)	8.3 × 12.5 × 3.7 in (212 × 317 × 93 mm)	191709	\$1,930.00
GF-603A	620 g	0.001 g	0.001 g	±0.03 g	3 in H (85 mm H)	5 × 5 in (128 × 128 mm)	8.3 × 12.5 × 3.7 in (212 × 317 × 93 mm)	191710	\$2,270.00
GF-1003A	1,100 g	0.001 g	0.001 g	±0.03 g	3 in H (85 mm H)	5 × 5 in (128 × 128 mm)	8.3 × 12.5 × 3.7 in (212 × 317 × 93 mm)	191711	\$2,725.00
GF-1603A	1,620 g	0.001 g	0.002 g	±0.03 g	3 in H (85 mm H)	5 × 5 in (128 × 128 mm)	8.3 × 12.5 × 3.7 in (212 × 317 × 93 mm)	191712	\$3,525.00

## Options/Accessories

Part #	A&D Model #	Description	Price
192662	GXA-03	RS-232C interface (D-sub 9-pin male)	\$275.00
192663	GXA-04	Comparator output (requires 192667)	\$260.00
192667	AX-K05692	MiniDIN 8-pin male for GXA-04	\$58.00
192671	GXA-06	Analog output	\$260.00
192674	GXA-09	Internal rechargeable battery (must be factory installed)	\$545.00
192675	GXA-10	Large glass breeze break	\$385.00
192676	GXA-12	Animal weighing pan (for models of 320 g capacity or higher)	\$175.00
192677	GXA-13	Density determination kit (for 1 mg models only)	\$595.00
192678	GXA-17	Large breeze break with built-in fanless ionizer (static eliminator)	\$1,670.00
192679	GXA-23-PRINT	External key input interface for SW:137-PRINT foot switch	\$250.00
192680	GXA-23-RZERO	External key input interface for SW:137-REZERo foot switch	\$245.00
192681	GXA-23-PLUG	External key input interface for AX-T-314A-S plug	\$245.00
192682	GXA-24	USB host interface (USB A type)	\$130.00
192683	GXA-25	External fanless ionizer (static eliminator)	\$960.00
192684	GXA-26	External IR switch (MiniDIN 4-pin male)	\$205.00



Apollo GF-1003A

BALANCES  
A&D WEIGHING

# FX-iWP Series Washdown

## Standard Features

- Washdown IP65 rating
- Compact Super Hybrid Sensor Technology (SHS)
- Vacuum Fluorescent Display (VFD)
- GLP/GMP/ISO compliant to either AD-8121 printer or computer. Transmits date, time, ID number, serial number and calibration data.
- RS-232 interface for connecting to printer or PC
- Response indicator function
- Underhook weighing

## Specifications

### Weighing Units:

Carat, Pennyweight, Troy Ounce, Grain, Pound/Ounce (see technical manual for complete listings)

### Operating Modes:

Weigh, Count, Percent, Animal Weighing, Statistical, Hold and Comparator

### Power:

120/240 VAC adapter, approx. 11 VA

### Stabilization Time:

Approx. 1 second

### Sensitivity Drift (10 °C to 30 °C):

±2 ppm/°C

### Display Refresh Rate:

5 times/second, 10 times/second or 20 times/second

### Calibration Weight:

FX-120iWP: 100 g  
FX-200iWP: 200 g  
FX-300iWP: 300 g

### Operating Temperature:

41 °F to 104 °F (5 °C to 40 °C) 85% RH or less (no condensation)

### Est. Weight:

8 lb (3.5 kg)

### Warranty:

Five-year limited

### Return Policy:

A&D Weighing standard policy - restock fee may apply

Model	Capacity	Readability	Repeatability	Linearity	Pan Size	Dimensions	Part #	List Price
FX-120iWP	122 g	0.001 g	0.001 g	±0.002 g	Ø 5.12 in (130 mm)	6 × 10.3 × 3.3 in (193 × 263 × 85 mm)	102905	\$1,660.00
FX-200iWP	220 g	0.001 g	0.001 g	±0.002 g	Ø 5.12 in (130 mm)	6 × 10.3 × 3.3 in (193 × 263 × 85 mm)	102906	\$1,740.00
FX-300iWP	320 g	0.001 g	0.001 g	±0.002 g	Ø 5.12 in (130 mm)	6 × 10.3 × 3.3 in (193 × 263 × 85 mm)	102907	\$1,860.00

## Options/Accessories

Part#	A&D Model#	Description	Price
98027*	FXi-02	Quick USB interface	\$105.00
98028*	FXi-08	Ethernet interface with WinCT© Plus software	\$350.00
98029*	FXi-09	Built-in rechargeable battery	\$390.00
98030	FXi-10	Small breeze break	\$95.00
98031	FXi-11	Large breeze break	\$160.00
97649	TB:648	AC adapter (120 V/220 V)	\$53.00

\*Options FXi-02/FXi-08 and FXi-09 cannot be combined and are factory installed only.

BALANCES  
A&D WEIGHING



# FX-i Series

## Standard Features

- Compact Super Hybrid Sensor Technology (SHS)
- Vacuum Fluorescent Display (VFD)
- GLP/GMP/ISO compliant to either AD-8121 printer or computer. Transmits date, time, ID number, serial number and calibration data.
- RS-232 interface for connecting to printer or PC
- Response indicator function
- Weighing chamber
- Under weigh hook

## OPTIONS

- Built-in rechargeable battery
- Quick USB interface (FXi-02) option
- LAN-Ethernet interface
- WinCT<sup>©</sup> communication tools software
- Note: FXi NTEP and FXi models available by special order (internal calibration)

## Specifications

### Weighing Units:

Pound, Carat, Pennyweight, Troy Ounce, Grain, Pound/Ounce (See technical manual for complete listings)

### Operating Modes:

Weigh, Count, Percent, Animal Weighing, Statistical, Hold and Comparator

### Power Consumption:

120/240 VAC adapter, approx. 11 VA

### Stabilization Time:

Approx. 1 second

### Sensitivity Drift (10 °C to 30 °C):

±2 ppm/°C

### Display Refresh Rate:

5 times/second, 10 times/second or 20 times/second

### Calibration Weight

FX-120i: 100 g  
FX-200i: 200 g  
FX-300i: 300 g

### Operating Temperature

41 °F to 104 °F (5 °C to 40 °C) 85% RH or less (no condensation)

### Est. Weight:

8 lb (3.5 kg)

### Warranty:

Five-year limited

### Return Policy:

A&D Weighing standard policy - restock fee may apply

Model	Capacity	Readability	Repeatability	Linearity	Pan Size	Dimensions	Part #	List Price
FX-120i	122 g	0.001 g	0.001 g	±0.002 g	5.12 in (130 mm)	7.6 × 10.3 × 3.3 in (193 × 263 × 85 mm)	98021	\$1,260.00
FX-200i	220 g	0.001 g	0.001 g	±0.002 g	5.12 in (130 mm)	7.6 × 10.3 × 3.3 in (193 × 263 × 85 mm)	98022	\$1,310.00
FX-300i	320 g	0.001 g	0.001 g	±0.002 g	5.12 in (130 mm)	7.6 × 10.3 × 3.3 in (193 × 263 × 85 mm)	98023	\$1,360.00

## Options/Accessories

Part #	A&D Model #	Description	Price
98027*	FXi-02	Quick USB interface	\$105.00
98028*	FXi-08	Ethernet interface with WinCT <sup>©</sup> Plus software	\$350.00
98029*	FXi-09	Built-in rechargeable battery	\$390.00
98030	FXi-10	Small breeze break	\$95.00
98031	FXi-11	Large breeze break	\$160.00
97649	TB:648	AC adapter (120 V/220 V)	\$53.00
151247	AD-1688	Data logger	\$370.00
196128	AD-8127	Impact dot matrix, statistical printer, includes cable	\$1,030.00

\*Options FXi-02/FXi-08 and FXi-09 cannot be combined and are factory installed only.



BALANCES  
A&D WEIGHING



# AD-4212A Series

## Standard Features

- Comparator output (Hi/OK/Lo) feature for manual or automatic operation as well as buzzer function
- GLP/GMP compliant software output
- Breeze break for maximum accuracy and fastest response
- Standard calibration weight
- Simple operator reference card provided
- Multi-weighing units
- Time and date clock function
- Data memory function for weighing, calibration, counting and Hi/OK/Lo values
- Super Hybrid Sensor Technology (SHS)
- WinCT<sup>©</sup> communication tools software
- RS-232 interface for connecting to printer or PC

## Specifications

### Weighing Units:

Milligram, Ounce, Carat, Pennyweight, Troy Ounce, Grain (See technical manual for complete listings)

### Operating Modes:

Counting, Percentage

### Power Supply:

120 V AC adapter, 11 VA

### Stabilization Time (typical):

AD-4212A-200, AD-4212B-201: 30 to 210 g approx. 1.0 second  
 AD-4212B-301: 30 to 210 g approx. 1.0 second  
 AD-4212A-600: 30 to 610 g approx. 1.1 seconds  
 AD-4212A-1000: 30 to 1100 g approx. 1.1 seconds

### I/O Interface Comparator Output:

3 level output with buzzer

### I/O Interface External Contact Input:

Re-zero and print

### Calibration Weight (OIML F1) (OPT):

AD-4212A-200, AD-4212B-201, AD-4212B-301: 100 g  
 AD-4212A-600, AD-4212A-1000: 200 g

### Connection Cable:

Approx. 2 m (between weighing unit and display unit)

### Operating Temperature:

41 °F to 104 °F (5 °C to 40 °C) 85% RH or less (no condensation)

### Est. Weight:

8.5 lb (4 kg)

### Warranty:

Five-year limited

### Return Policy:

A&D Weighing standard policy - restock fee may apply

Model	Capacity	Readability	Repeatability	Linearity	Pan Size	Dimensions	Part #	List Price
AD-4212A-200	210 g	1 mg	1 mg	±2 mg	2 × 2 in (50 × 50 mm)	3.2 × 9.1 × 3.5 in (80 × 230 × 90 mm)	97655	\$5,725.00
AD-4212A-600	610 g	1 mg	1 mg	±3 mg	2.8 × 2.8 in (70 × 70 mm)	3.2 × 9.1 × 3.5 in (80 × 230 × 90 mm)	97656	\$6,300.00
AD-4212A-1000	1,100 g	1 mg	1 mg	±3 mg	2.8 × 2.8 in (70 × 70 mm)	3.2 × 9.1 × 3.5 in (80 × 230 × 90 mm)	97657	\$6,550.00

## Options/Accessories

Part#	A&D Model#	Description	Price
97672	AD-4212A-01	BCD output (factory installed, four month lead time)	\$615.00
97674	AD-4212A-07	Extension cable, 3 m	\$180.00
97675	AD-4212A-08	Ethernet interface with WinCT <sup>©</sup>	\$350.00
97676	AD-4212A-19	Stainless steel breeze break (200 g only)	\$130.00

BALANCES  
A&D WEIGHING



# FX-i Series

## Standard Features

- Compact Super Hybrid Sensor Technology (SHS)
- Vacuum Fluorescent Display (VFD)
- GLP/GMP/ISO compliant to either AD-8121 printer or computer. Transmits date, time, ID number, serial number and calibration data.
- RS-232 interface for connecting to printer or PC
- Response indicator function
- Weighing chamber
- Under weigh hook

## OPTIONS

- Built-in rechargeable battery
- Quick USB interface (FXi-02) option
- LAN-Ethernet interface
- WinCT<sup>®</sup> communication tools software

## Specifications

### Weighing Units:

Carat, Pennyweight, Troy Ounce, Grain, Pound, Ounce, (see technical manual for complete listings)

### Operating Modes:

Weigh, Count, Percent, Animal Weighing, Statistical, Hold and Comparator

### Power Consumption:

120/240 VAC adapter, approx. 11 VA

### Stabilization Time:

Approx. 1 second

### Sensitivity Drift (10 °C to 30 °C):

±2 ppm/°C

### Display Refresh Rate

5 times/second, 10 times/second or 20 times/second

### Calibration Weight:

FX-1200i: 1,000 g  
FX-2000i: 2,000 g  
FX-3000i: 3,000 g

### Operating Temperature:

41 °F to 104 °F (5 °C to 40 °C)  
85% RH or less (no condensation)

### Est. Weight:

8 lb (3.5 kg)

### Warranty:

Five-year limited

### Return Policy:

A&D Weighing standard policy - restock fee may apply

Model	Capacity	Readability	Repeatability	Linearity	Pan Size	Dimensions	Part #	List Price
FX-1200i	1,220 g	0.01 g	0.01 g	±0.02 g	5.90 in (150 mm)	7.6 × 10.3 × 3.3 in (193 × 263 × 85 mm)	98024	\$1,290.00
FX-2000i	2,200 g	0.01 g	0.01 g	±0.02 g	5.90 in (150 mm)	7.6 × 10.3 × 3.3 in (193 × 263 × 85 mm)	98025	\$1,350.00
FX-3000i	3,200 g	0.01 g	0.01 g	±0.02 g	5.90 in (150 mm)	7.6 × 10.3 × 3.3 in (193 × 263 × 85 mm)	98026	\$1,410.00

## Options/Accessories

Part #	A&D Model #	Description	Price
98027*	FXi-02	Quick USB interface	\$105.00
98028*	FXi-08	Ethernet interface with WinCT <sup>®</sup> Plus software	\$350.00
98029*	FXi-09	Built-in rechargeable battery	\$390.00
98030	FXi-10	Small breeze break	\$95.00
98031	FXi-11	Large breeze break	\$160.00
97649	TB:648	AC adapter (120 V/220 V)	\$53.00
151247	AD-1688	Data logger	\$370.00
196128	AD-8127	Impact dot matrix, statistical printer, includes cable	\$1,030.00

\*Options FXi-02/FXi-08 and FXi-09 cannot be combined and are factory installed only.



BALANCES  
A&D WEIGHING

# Apollo GX Series

## Standard Features

- Electronically controlled load (ECL) self-diagnostic before internal repeatability test without an external weight in less than 1.5 minutes
- Internal calibration weight
- Impact shock detection
- Flow rate display
- RS-232 interface for connecting to printer or PC
- Password protection and anti-theft security slot
- GLP/GMP/ISO compliant to either AD-8127 printer or computer
- Transmits date, time, ID number, serial number, model, manufacturer and calibration data
- Rechargeable battery option for portability
- Super Hybrid Sensor Technology (SHS)
- Reverse backlit LCD display
- Optional glass breeze break
- Under weigh hook

## Specifications

### Weighing Units:

Gram, Ounce, Pound, Carat, Pennyweight, Troy Ounce, Grain (See technical manual for complete listing)

### Operating Modes:

Animal Weighing, Comparator Function, ACAI Counting Function, Percentage, Density Determination, Statistical Calculation

### Power:

120 V AC adapter, Approx. 30 VA

### Stabilization Time:

Approx. 1 sec.

### Display Refresh Rate:

5 times/second, 10 times/second or 20 times/second

### Calibration Weight:

GX-2002A, GX-3002A: 2,000 g  
GX-4002A: 4000 g  
GX-6001A, GX-6002A: 5,000 g  
GX-10001A, GX-10002A: 10,000 g

### Est. Weight:

18 lb (8 kg)

### Operating Temperature:

41 °F to 104 °F (5 °C to 40 °C) RH less than 85% (no condensation)

### Warranty:

Five-year limited

### Return Policy:

A&D Weighing Standard Policy - restock fee may apply

Model	Capacity	Readability	Repeatability	Linearity	Pan Size	Dimensions	Part #	List Price
GX-2002A	2,200 g	0.01 g	0.01 g	±0.02 g	5 × 5 in (128 × 128 mm)	8.3 × 12.5 × 3.7 in (212 × 317 × 93 mm)	191697	\$2,160.00
GX-3002A	3,200 g	0.01 g	0.01 g	±0.02 g	5 × 5 in (128 × 128 mm)	8.3 × 12.5 × 3.7 in (212 × 317 × 93 mm)	191700	\$2,575.00
GX-4002A	4,200 g	0.01 g	0.01 g	±0.02 g	5 × 5 in (128 × 128 mm)	8.3 × 12.5 × 3.7 in (212 × 317 × 93 mm)	191701	\$2,700.00
GX-6001A	6,200 g	0.1 g	0.1 g	±0.01 g	5 × 5 in (128 × 128 mm)	8.3 × 12.5 × 3.7 in (212 × 317 × 93 mm)	191705	\$2,390.00
GX-6002A	6,200 g	0.01 g	0.01 g	±0.03 g	5 × 5 in (128 × 128 mm)	8.3 × 12.5 × 3.7 in (212 × 317 × 93 mm)	191702	\$3,150.00
GX-10001A	10,200 g	0.1 g	0.1 g	±0.01 g	5 × 5 in (128 × 128 mm)	8.3 × 12.5 × 3.7 in (212 × 317 × 93 mm)	191706	\$2,360.00
GX-10002A	10,200 g	0.01 g	0.02 g	±0.03 g	5 × 5 in (128 × 128 mm)	8.3 × 12.5 × 3.7 in (212 × 317 × 93 mm)	191704	\$4,225.00

## Options/Accessories

Part#	A&D Model#	Description	Price
192662	GXA-03	RS-232C Interface (D-sub 9-pin male)	\$275.00
192663	GXA-04	Comparator output (requires 192667)	\$260.00
192667	AX-K05692	MiniDIN 8-pin male for GXA-04	\$58.00
192671	GXA-06	Analog output (includes 192673)	\$260.00
192674	GXA-09	Internal rechargeable battery (must be factory installed)	\$545.00
192676	GXA-12	Animal weighing pan (for models of 320 g capacity or higher)	\$175.00
192677	GXA-13	Density determination kit (for 1 mg models only)	\$595.00
192678	GXA-17	Large breeze break with built-in fanless ionizer (static eliminator)	\$1,670.00
192679	GXA-23-PRINT	External key input interface for SW:137-PRINT foot switch	\$250.00
192680	GXA-23-RZERO	External key input interface for SW:137-REZERo foot switch	\$245.00
192681	GXA-23-PLUG	External key input interface for AX-T-314A-S plug	\$245.00
192682	GXA-24	USB host interface (USB A type)	\$130.00
192683	GXA-25	External fanless ionizer (static eliminator)	\$960.00
192684	GXA-26	External IR switch (MiniDIN 4-pin male)	\$205.00



Apollo GX-3002A

# Apollo GF Series

## Standard Features

- Electronically controlled load (ECL) self-diagnostic before internal repeatability test without an external weight in less than 1.5 minutes
- External calibration
- Impact shock detection
- Flow rate display
- RS-232 interface for connecting to printer or PC
- Password protection and anti-theft security slot
- GLP/GMP/ISO compliant to either AD-8127 printer or computer
- Transmits date, time, ID number, serial number, model, manufacturer and calibration data
- Rechargeable battery option for portability
- Super Hybrid Sensor Technology (SHS)
- Reverse backlit LCD display
- Optional glass breeze break
- Under weigh hook

## Specifications

### Weighing Units:

Pound, Carat, Pennyweight, Troy Ounce, Grain, Decimal Ounce, Pound/Ounce

### Operating Modes:

Counting, Percentage

### Power:

120/240 VAC adapter

### Stabilization Time:

Approx. 1.5 seconds (typical in FAST mode)

### Display Refresh Rate:

5 times/second or 10 times/second

### Calibration Weight:

GF-1202A: 1 kg  
 GF-2002A: 2 kg  
 GF-3002A: 3 kg  
 GF-4002A: 4 kg  
 GF-6002A: 6 kg  
 GF-6001A: 6 kg  
 GF-10001A: 10 kg  
 GF-10002A: 10 kg

### Operating Temperature:

41 °F to 104 °F (5 °C to 40 °C) RH less than 85% (no condensation)

### Est. Weight:

18.3 lb (8.3 kg)

### Warranty:

Five-year limited

Model	Capacity	Readability	Repeatability	Linearity	Pan Size	Dimensions	Part #	List Price
GF-1202A	1,220 g	0.01 g	0.01 g	±0.02 g	6.5 × 6.5 in (165 × 165 mm)	8.3 × 12.5 × 3.7 in (212 × 317 × 93 mm)	191713	\$1,600.00
GF-2002A	2,200 g	0.01 g	0.01 g	±0.02 g	5 × 5 in (128 × 128 mm)	8.3 × 12.5 × 3.7 in (212 × 317 × 93 mm)	191714	\$1,640.00
GF-3002A	3,200 g	0.01 g	0.01 g	±0.02 g	5 × 5 in (128 × 128 mm)	8.3 × 12.5 × 3.7 in (212 × 317 × 93 mm)	191715	\$1,700.00
GF-4002A	4,200 g	0.01 g	0.01 g	±0.02 g	5 × 5 in (128 × 128 mm)	8.3 × 12.5 × 3.7 in (212 × 317 × 93 mm)	191716	\$2,180.00
GF-6002A	6,200 g	0.01 g	0.01 g	±0.03 g	5 × 5 in (128 × 128 mm)	8.3 × 12.5 × 3.7 in (212 × 317 × 93 mm)	191717	\$2,675.00
GF-6001A	6,200 g	0.1 g	0.1 g	±0.1 g	5 × 5 in (128 × 128 mm)	8.3 × 12.5 × 3.7 in (212 × 317 × 93 mm)	192486	\$1,810.00
GF-10001A	10,200 g	0.1 g	0.1 g	±0.1 g	5 × 5 in (128 × 128 mm)	8.3 × 12.5 × 3.7 in (212 × 317 × 93 mm)	192487	\$1,890.00
GF-10002A	10,200 g	0.01 g	0.1 g	±0.03 g	6.5 × 6.5 in (165 × 165 mm)	8.3 × 12.5 × 3.7 in (212 × 317 × 93 mm)	191718	\$3,275.00

## Options/Accessories

Part #	A&D Model #	Description	Price
192662	GXA-03	RS-232C interface (D-sub 9-pin male)	\$275.00
192663	GXA-04	Comparator output (requires 192667)	\$260.00
192667	AX-K05692	MiniDIN 8-pin male for GXA-04	\$58.00
192671	GXA-06	Analog output (includes 192673)	\$260.00
192674	GXA-09	Internal rechargeable battery (must be factory installed)	\$545.00
192675	GXA-10	Large glass breeze break	\$385.00
192676	GXA-12	Animal weighing pan (for models of 320 g capacity or higher)	\$175.00
192677	GXA-13	Density determination kit (for 1 mg models only)	\$595.00
192678	GXA-17	Large breeze break with built-in fanless ionizer (static eliminator)	\$1,670.00
192679	GXA-23-PRINT	External key input interface for SW:137-PRINT foot switch	\$250.00
192680	GXA-23-RZERO	External key input interface for SW:137-REZERo foot switch	\$245.00
192681	GXA-23-PLUG	External key input interface for AX-T-314A-S plug	\$245.00
192682	GXA-24	USB host interface (USB A type)	\$130.00
192683	GXA-25	External fanless ionizer (static eliminator)	\$960.00
192684	GXA-26	External IR switch (MiniDIN 4-pin male)	\$205.00



Apollo GF-3002A

BALANCES  
A&D WEIGHING

# FX-iWP Series Washdown

## Standard Features

- Washdown IP65 rating
- Compact Super Hybrid Sensor Technology (SHS)
- Vacuum Fluorescent Display (VFD)
- GLP/GMP/ISO compliant to either AD-8121 printer or computer. Transmits date, time, ID number, serial number and calibration data.
- RS-232 interface for connecting to printer or PC
- Response indicator function
- Under weigh hook

## Specifications

### Weighing Units:

Pound, Carat, Pennyweight, Troy Ounce, Grain, Pound/Ounce

### Operating Modes:

Weigh, Count, Percent, Animal Weighing, Statistical, Hold and Comparator

### Power:

120/240 VAC adapter, approx. 11 VA

### Stabilization Time:

Approx. 1 second

### Sensitivity Drift (10 °C to 30 °C):

±2 ppm/°C

### Display Refresh Rate:

5 times/second, 10 times/second or 20 times/second

### Calibration Weight:

FX-120iWP: 100 g  
FX-200iWP: 200 g  
FX-300iWP: 300 g

### Operating Temperature:

41 °F to 104 °F (5 °C to 40 °C) 85% RH or less (no condensation)

### Est. Weight:

8 lb (3.5 kg)

### Warranty:

Five-year limited

### Return Policy:

A&D Weighing standard policy - restock fee may apply

Model	Capacity	Readability	Repeatability	Linearity	Pan Size	Dimensions	Part #	List Price
FX-1200iWP	1,220 g	0.01 g	0.01 g	±0.02 g	Ø 5.90 in (150 mm)	6 × 10.3 × 3.3 in (193 × 263 × 85 mm)	102908	\$1,650.00
FX-2000iWP	2,200 g	0.01 g	0.01 g	±0.02 g	Ø 5.90 in (150 mm)	6 × 10.3 × 3.3 in (193 × 263 × 85 mm)	102909	\$1,740.00
FX-3000iWP	3,200 g	0.01 g	0.01 g	±0.02 g	Ø 5.90 in (150 mm)	6 × 10.3 × 3.3 in (193 × 263 × 85 mm)	102910	\$1,850.00

## Options/Accessories

Part #	A&D Model #	Description	Price
98027*	FXi-02	Quick USB interface	\$105.00
98028*	FXi-08	Ethernet interface with WinCT <sup>®</sup> Plus software	\$350.00
98029*	FXi-09	Built-in rechargeable battery	\$390.00
98030	FXi-10	Small breeze break	\$95.00
98031	FXi-11	Large breeze break	\$160.00
97649	TB:648	AC adapter (120 V/220 V)	\$53.00

\*Options FXi-02/FXi-08 and FXi-09 cannot be combined and are factory installed only.





# EJ Newton Series

## Standard Features

- Easy-to-read seven segment LCD display with backlight
- 10 units of measurement
- Battery operated (Four AA not included)
- Selectable modes: weight, count, percentage and specific gravity
- 120 VAC adaptor included (230 VAC optional)



EJ-200

## Specifications

### Weighing Units:

Carat, Pennyweight, Troy Ounce, Decimal Ounce, Decimal Pound (See technical manual for complete listing)

### Operating Modes:

Specific Gravity, Counting, Percentage, Checkweighing

### Power:

120 VAC adapter  
Four AA size dry-cell batteries (not included)  
70 hours operation

### Stabilization Time:

< 2 seconds

### Sensitivity Drift (10 °C to 30 °C):

±20 ppm/°C

### Display Type:

Seven segment LCD with backlight  
(character height 16 mm)

### Operating Temperature:

14 °F to 104 °F (-10 °C to 40 °C) less than 85% RH  
(no condensation)

### Calibration Weight:

EJ-123, EJ-120: 100 g  
EJ-200: 200 g  
EJ-300: 300 g  
EJ-410: 400 g  
EJ-610: 600 g  
EJ-1500: 1,500 g  
EJ-2000: 2,000 g  
EJ-3000: 3,000 g  
EJ-4100: 4,000 g  
EJ-6100: 6,000 g

### Est. Weight:

EJ-123, EJ-120, EJ-200, EJ-300, EJ-410, EJ-610: 850 g  
EJ-1500, EJ-2000, EJ-3000, EJ-4100, EJ-6100: 1,100 g

### Warranty:

Five-year limited

### Return Policy:

A&D Weighing standard policy - restock fee may apply

Model	Capacity	Readability	Repeatability	Linearity	Pan Size	Dimensions	Part #	List Price
EJ-123	120 g	0.001 g	0.003 g	0.003 g	Ø 4.3 in (110 mm)	7.5 × 8.6 × 2.2 in (190 × 218 × 55 mm)	163274	\$590.00
EJ-120	120 g	0.01 g	0.01 g	±0.01 g	Ø 4.3 in (110 mm)	7.5 × 8.6 × 2.2 in (190 × 218 × 55 mm)	112410	\$310.00
EJ-200	210 g	0.01 g	0.01 g	±0.01 g	Ø 4.3 in (110 mm)	7.5 × 8.6 × 2.2 in (190 × 218 × 55 mm)	112411	\$390.00
EJ-300	310 g	0.01 g	0.01 g	±0.02 g	Ø 4.3 in (110 mm)	7.5 × 8.6 × 2.2 in (190 × 218 × 55 mm)	112412	\$460.00
EJ-410	410 g	0.01 g	0.01 g	±0.02 g	Ø 4.3 in (110 mm)	7.5 × 8.6 × 2.2 in (190 × 218 × 55 mm)	112413	\$500.00
EJ-610	610 g	0.01 g	0.01 g	±0.02 g	Ø 4.3 in (110 mm)	7.5 × 8.6 × 2.2 in (190 × 218 × 55 mm)	112414	\$650.00
EJ-1500	1,500 g	0.1 g	0.1 g	±0.1 g	5 × 5.5 in (127 × 140 mm)	7.5 × 8.6 × 2.2 in (190 × 218 × 55 mm)	112415	\$310.00
EJ-2000	2,100 g	0.1 g	0.1 g	±0.1 g	5 × 5.5 in (127 × 140 mm)	7.5 × 8.6 × 2.2 in (190 × 218 × 55 mm)	112416	\$380.00
EJ-3000	3,100 g	0.1 g	0.1 g	±0.2 g	5 × 5.5 in (127 × 140 mm)	7.5 × 8.6 × 2.2 in (190 × 218 × 55 mm)	112417	\$465.00
EJ-4100	4,100 g	0.1 g	0.1 g	±0.2 g	5 × 5.5 in (127 × 140 mm)	7.5 × 8.6 × 2.2 in (190 × 218 × 55 mm)	112418	\$520.00
EJ-6100	6,100 g	0.1 g	0.1 g	±0.2 g	5 × 5.5 in (127 × 140 mm)	7.5 × 8.6 × 2.2 in (190 × 218 × 55 mm)	112419	\$595.00

BALANCES  
A&D WEIGHING

## Options/Accessories

Part #	A&D Model #	Description	Price
112426	EJ-02	USB interface with cable	\$105.00
112427	EJ-03	RS-232 interface with cable	\$95.00
112428	EJ-07	Underhook for EJ-3000, EJ-4100 and EJ-6100	\$84.00
112429	EJ-08	Underhook for EJ-1500 and EJ-2000	\$84.00
112430	EJ-11	Breeze break	\$84.00
112431	EJ-12	Carrying case	\$79.00
112432	EJ-13	Density determination kit	\$95.00
97766	TB:662	AC adapter, 120 V	\$47.50
97767	TB:164	AC adapter, 220 V	\$69.00
151247	AD-1688	Data logger	\$370.00



EJ-2000

# EK-i Series

## Standard Features

- Backlit weight display
- Remote zeroing
- Easy-to-install NiCad battery option
- RS-232 interface for connecting to printer or PC

## Specifications

### Weighing Units:

Carat, Pennyweight, Troy Ounce, Newton, Decimal Ounce, Decimal Pound

### Operating Modes:

Counting, percentage

### Power:

120 VAC adapter (optional Ni-MH battery pack)

### Stabilization Time:

< 2 seconds

### Sensitivity Drift (10 °C to 30 °C):

±20 ppm/°C (when automatic self-calibration is not used)

### Display Type:

Seven segment LCD with backlight (character height 16 mm)

### Operating Temperature:

14 °F to 104 °F (-10 °C to 40 °C) less than 85% RH (non-condensing)

### Calibration Weight:

- EK-120i: 120 g
- EK-200i: 200 g
- EK-300i: 300 g
- EK-410i: 400 g
- EK-610i: 400 g
- EK-2000i: 2,000 g
- EK-3000i: 3,000 g
- EK-4100i: 4,000 g
- EK-6100i: 6,000 g

### Est. Weight:

3.5 lb (1.5 kg)

### Warranty:

Five-year limited

### Return Policy:

A&D Weighing standard policy - restock fee may apply

Model	Capacity	Readability	Repeatability	Linearity	Pan Size	Dimensions	Part #	List Price
EK-120i	120 g	0.01 g	0.01 g	±0.01 g	Ø 4.3 in (110 mm)	7.5 × 8.6 × 2.2 in (190 × 218 × 55 mm)	97747	\$595.00
EK-200i	200 g	0.01 g	0.01 g	±0.01 g	Ø 4.3 in (110 mm)	7.5 × 8.6 × 2.2 in (190 × 218 × 55 mm)	97748	\$640.00
EK-300i	300 g	0.01 g	0.01 g	±0.02 g	Ø 4.3 in (110 mm)	7.5 × 8.6 × 2.2 in (190 × 218 × 55 mm)	97749	\$665.00
EK-410i	400 g	0.01 g	0.01 g	±0.02 g	Ø 4.3 in (110 mm)	7.5 × 8.6 × 2.2 in (190 × 218 × 55 mm)	97750	\$750.00
EK-610i	600 g	0.01 g	0.01 g	±0.02 g	Ø 4.3 in (110 mm)	7.5 × 8.6 × 2.2 in (190 × 218 × 55 mm)	97751	\$880.00
EK-2000i	2,000 g	0.1 g	0.1 g	±0.1 g	5.2 × 6.7 in (133 × 170 mm)	7.5 × 8.6 × 2.2 in (190 × 218 × 55 mm)	97754	\$645.00
EK-3000i	3,000 g	0.1 g	0.1 g	±0.2 g	5.2 × 6.7 in (133 × 170 mm)	7.5 × 8.6 × 2.2 in (190 × 218 × 55 mm)	97755	\$700.00
EK-4100i	4,000 g	0.1 g	0.1 g	±0.2 g	5.2 × 6.7 in (133 × 170 mm)	7.5 × 8.6 × 2.2 in (190 × 218 × 55 mm)	97756	\$835.00
EK-6100i	6,000 g	0.1 g	0.1 g	±0.2 g	5.2 × 6.7 in (133 × 170 mm)	7.5 × 8.6 × 2.2 in (190 × 218 × 55 mm)	97757	\$1,040.00

## Options/Accessories

Part#	A&D Model#	Description	Price
97760	EKW-04i	Comparator/relay outputs/buzzer	\$200.00
97761	EKW-07i	Underhook for EK-4100i/6100i/6000i/12Ki/EW-12Ki	\$63.00
97762	EKW-09i	NiCad battery pack	\$255.00
97764	AX:3005824-5S	Protective dust cover (not in use)	\$15.75
97605	AD-100-2	Anti-theft device	\$90.00
97766	TB:662	AC adapter (120 V)	\$47.50
97767	TB:164	AC adapter (240 V)	\$69.00
151247	AD-1688	Data logger	\$370.00



BALANCES  
A&D WEIGHING

# EW-i Series

## Standard Features

- Backlit weight display
- Remote zeroing
- Easy-to-install NiCad battery option
- RS-232 interface for connecting to printer or PC
- Triple range

## Specifications

### Weighing Units:

Carat, Pennyweight, Troy Ounce, Decimal Ounce, Decimal Pound

### Operating Mode:

Counting, Percentage, Comparator

### Power:

AC adapter or Ni-MH battery pack (option)

### Stabilization Time:

< 2 seconds

### Sensitivity Drift (10 °C to 30 °C):

±20 ppm/°C

### Operating Temperature:

14 °F to 104 °F (-10 °C to 40 °C) less than 85% RH (no condensation)

### Calibration Weight:

150 g

### Est. Weight:

3.5 lb (1.5 kg)

### Warranty:

Five-year limited

### Return Policy:

A&D Weighing standard policy - restock fee may apply

Model	Capacity	Readability	Repeatability	Linearity	Pan Size	Dimensions	Part #	List Price
EW-150i	30 g / 60 g / 150 g	0.01 g / 0.02 g / 0.1 g	0.01 g / 0.02 g / 0.05 g	±0.01 g / ±0.02 g / ±0.05 g	Ø 4.3 in (110 mm)	7.5 × 8.6 × 2.2 in (190 × 218 × 55 mm)	97768	\$500.00

## Options/Accessories

Part #	A&D Model #	Description	Price
97760	EKW-04i	Comparator/relay outputs/buzzer	\$200.00
97761	EKW-07i	Underhook for EK-4100i/6100i/6000i/12Ki/EW-12Ki	\$63.00
97762	EKW-09i	NiCad battery pack	\$255.00
97764	AX:3005824-5S	Protective dust cover (not in use)	\$15.75
97605	AD-100-2	Anti-theft device	\$90.00
97766	TB:662	AC adapter (120 V)	\$47.50
97767	TB:164	AC adapter (240 V)	\$69.00
151247	AD-1688	Data logger	\$370.00



# HIGH CAPACITY GX-M Series

## Standard Features

- Internal calibration
- Auto environmental compensation
- IP65/NEMA Type 4
- RS-232 interface for connecting to printer or PC
- Data memory function
- Quick reference operation card
- Time and date
- Vacuum Fluorescent Display (VFD)
- Under weigh hook

## Specifications

### Weighing Units:

Pound, Carat, Pennyweight, Troy Ounce, Grain, Decimal Ounce, Pound/Ounce

### Operating Modes:

Counting, Percentage

### Power:

120 /240 VAC adapter

### Stabilization time:

Approx. 1.5 seconds

### Sensitivity Drift (10 °C to 30 °C / 50 °F to 86 °F):

GX-8202M: ±2 ppm/°C  
 GX-8202MD: ±3 ppm/°C  
 GX-10202M: ±2 ppm/°C  
 GX-12001M, GX-22001M, GX-32001M: ±3 ppm/°C  
 GX-32001MD: ±5 ppm/°C

### Calibration Weight:

GX-8202M/MD: 2 kg to 8 kg  
 GX-10202M: 2 kg to 10 kg  
 GX-12001M: 5 kg, 10 kg  
 GX-22001M: 5 kg, 10 kg, 20 kg  
 GX-32001M/MD: 5 kg, 10 kg, 20 kg, 30 kg

### Operating Temperature:

41 °F to 104 °F (-5 °C to 40 °C)

### Est. Weight:

18.3 lb (8.3 kg)

### Warranty:

Five-year limited

### Return Policy:

A&D Weighing standard policy - restock fee may apply

Model	Capacity	Readability	Repeatability	Linearity	Pan Size	Dimensions	Part #	List Price
<b>GX-8202M</b>	8.2 kg	0.01 g	0.01 g	±0.03 g	10.62 × 8.26 in (270 × 210 mm)	11.81 × 13.98 × 4.37 in (300 × 355 × 111 mm)	<b>207408</b>	\$4,150.00
<b>GX-8202MD</b>	2.2 kg / 8.2 kg	0.01 g / 0.1 g	0.01 g / 0.05 g	±0.02 g / ±0.1 g	10.62 × 8.26 in (270 × 210 mm)	11.81 × 13.98 × 4.37 in (300 × 355 × 111 mm)	<b>207409</b>	\$3,625.00
<b>GX-10202M</b>	10.2 kg	0.01 g	0.01 g	±0.03 g	10.62 × 8.26 in (270 × 210 mm)	11.81 × 13.98 × 4.37 in (300 × 355 × 111 mm)	<b>207410</b>	\$4,450.00
<b>GX-12001M</b>	12.2 kg	0.1 g	0.1 g	±0.2 g	10.62 × 8.26 in (270 × 210 mm)	11.81 × 13.98 × 4.37 in (300 × 355 × 111 mm)	<b>207411</b>	\$3,775.00
<b>GX-22001M</b>	22.2 kg	0.1 g	0.1 g	±0.2 g	10.62 × 8.26 in (270 × 210 mm)	11.81 × 13.98 × 4.37 in (300 × 355 × 111 mm)	<b>207412</b>	\$4,075.00
<b>GX-32001M</b>	32.2 kg	0.1 g	0.1 g	±0.2 g	10.62 × 8.26 in (270 × 210 mm)	11.81 × 13.98 × 4.37 in (300 × 355 × 111 mm)	<b>207413</b>	\$4,700.00
<b>GX-32001MD</b>	6.2 kg / 32.2 kg	0.1 g/1 g	0.1 g / 0.5 g	±0.2 g / ±1 g	10.62 × 8.26 in (270 × 210 mm)	11.81 × 13.98 × 4.37 in (300 × 355 × 111 mm)	<b>207414</b>	\$3,650.00

## Options/Accessories

Part#	A&D Model#	Description	Price
<b>207431</b>	GX-04K*	Comparator/output and RS-232C/20 mA interface	\$515.00
<b>207432</b>	GX-06K*	Analog output/20 mA interface	\$605.00
<b>97784</b>	GX-07K**	Waterproof cable for standard RS-232C	\$370.00
<b>102899</b>	GXK-12	Animal weighing pan	\$995.00
<b>102898</b>	GXK-31	Draft shield	\$140.00
<b>97605</b>	AD-100-2	Anti-theft device	\$90.00
<b>97785</b>	AX:073007197A	Protective in-use cover	\$26.50
<b>97649</b>	TB:648	AC adapter (120 V/220 V)	\$53.00
<b>151247</b>	AD-1688	Data logger	\$370.00
<b>196128</b>	AD-8127	Impact dot matrix, statistical printer, includes cable	\$1,030.00

\*GX-04K, GX-06K, replace standard RS-232C and cannot be used at the same time.  
 IP65 rating does not apply when the GX-04K or the GX-06K is installed.

\*\*Use the GX-07K optional waterproof RS-232C cable, in order to use the standard RS-232 interface for water and dust proof (IP65).

BALANCES  
A&D WEIGHING



# GF-M Series

## Standard Features

- IP65/NEMA Type 4
- RS-232 interface for connecting to printer or PC
- Quick reference operation card
- Time and date
- Vacuum fluorescent display (VFD)
- Interval time setting
- Under weigh hook

## Specifications

### Weighing Units:

Pound, Carat, Pennyweight, Troy Ounce, Grain, Decimal Ounce, Pound/Ounce Operating Modes Counting, Percentage

### Power:

120/240 VAC adapter

### Stabilization Time:

Approx. 1.5 seconds (typical in FAST mode)

### Sensitivity Drift(10 °C to 30 °C / 50 °F to 86 °F):

GF-8202M: ±2 ppm/°C  
 GF-8202MD: ±3 ppm/°C  
 GF-10202M: ±2 ppm/°C  
 GF-12001M, GX-22001M, GX-32001M: ±3 ppm/°C  
 GF-32001MD: ±5 ppm/°C

### Calibration Weight:

GF-8202M/MD: 2 to 8 kg  
 GF-10202M: 2 to 10 kg  
 GF-12001M: 5 kg, 10 kg  
 GF-22001M: 5 kg, 10 kg, 20 kg  
 GF-32001M/MD: 5 kg, 10 kg, 20 kg, 30 kg

### Display Refresh Rate:

5 times/second or 10 times/second

### Operating Temperature:

41 °F to 104 °F (5 °C to 40 °C) RH less than 85% (no condensation)

### Est. Weight:

18.3 lb (8.3 kg)

### Warranty:

Five-year limited

Model	Capacity	Readability	Repeatability	Linearity	Pan Size	Dimensions	Part #	List Price
GF-8202M	8.2 kg	0.01 g	0.01 g	±0.03 g	10.62 × 8.26 in (270 × 210 mm)	11.81 × 13.98 × 4.37 in (300 × 355 × 111 mm)	207415	\$3,950.00
GF-8202MD	2.2 kg/8.2 kg	0.01 g/0.1 g	0.01 g/0.05 g	±0.02 g/±0.1 g	10.62 × 8.26 in (270 × 210 mm)	11.81 × 13.98 × 4.37 in (300 × 355 × 111 mm)	207416	\$3,350.00
GF-10202M	10.2 kg	0.01 g	0.01 g	±0.03 g	10.62 × 8.26 in (270 × 210 mm)	11.81 × 13.98 × 4.37 in (300 × 355 × 111 mm)	207417	\$4,250.00
GF-12001M	12.2 kg	0.1 g	0.1 g	±0.2 g	10.62 × 8.26 in (270 × 210 mm)	11.81 × 13.98 × 4.37 in (300 × 355 × 111 mm)	207418	\$3,575.00
GF-22001M	22.2 kg	0.1 g	±0.2 g	0.1 g	10.62 × 8.26 in (270 × 210 mm)	11.81 × 13.98 × 4.37 in (300 × 355 × 111 mm)	207419	\$3,800.00
GF-32001M	32.2 kg	0.1 g	±0.2 g	0.1 g	10.62 × 8.26 in (270 × 210 mm)	11.81 × 13.98 × 4.37 in (300 × 355 × 111 mm)	207420	\$4,450.00
GF-32001MD	6.2/32.2 kg	0.1/1 g	±0.5 g/0.1 g	0.2 g/1 g	10.62 × 8.26 in (270 × 210 mm)	11.81 × 13.98 × 4.37 in (300 × 355 × 111 mm)	207422	\$3,350.00

## Options/Accessories

Part#	A&D Model#	Description	Price
207431	GX-04K*	Comparator/output and RS-232C/20 mA interface	\$515.00
207432	GX-06K*	Analog output/20 mA interface	\$605.00
97784	GX-07K**	Waterproof cable for standard RS-232C	\$370.00
102899	GXK-12	Animal weighing pan	\$995.00
102898	GXK-31	Draft shield	\$140.00
97605	AD-100-2	Anti-theft device	\$90.00
97785	AX:073007197A	Protective in-use cover	\$26.50
97649	TB:648	AC adapter (120 V/220 V)	\$53.00
151247	AD-1688	Data logger	\$370.00
196128	AD-8127	Impact dot matrix, statistical printer, includes cable	\$1,030.00

\*GX-04K, GX-06K, replace standard RS-232C and cannot be used at the same time. IP65 rating does not apply when the GX-04K or the GX-06K is installed.

\*\*Use the GX-07K optional waterproof RS-232C cable, in order to use the standard RS-232 interface for water and dust proof (IP65).



BALANCES  
A&D WEIGHING



# HIGH CAPACITY GP Series

## Standard Features

- IP65/NEMA Type 4
- Internal calibration weight with manual, interval or auto-environmental compensation
- RS-232 interface for connecting to printer or PC
- Data-collection software
- Auto re-zero function
- Time and date
- Bright blue fluorescent display
- Adjustable swing arm display
- Die -cast aluminum body with stainless weighing pan
- Detached digital weight indicator (KS models only)

## Specifications

### Weighing Units:

Carat, Pennyweight, Troy Ounce, Grain, Decimal Ounce, Decimal Pound, Pound/Ounce

### Operating Modes:

Counting, Percentage

### Power:

Approx. 30 VA (supplied to the AC adapter)

### Stabilization Time:

Approx. 1.5 seconds (typical in FAST mode)

### Sensitivity Drift (-10 °C to 30 °C):

GP-12K, GP-20K, GP-30K, GP-30KS: ±3 ppm/°C  
 GP-32K, GP-32KS, GP-40K: ±5 ppm/°C  
 GP-60K, GP-60KS, GP-61K, GP-61KS, GP-100K, GP-100KS: ±6 ppm/°C  
 GP102K: ±10 ppm/°C

### Height with Column:

652 mm

### Calibration Weight:

GP-12K: 5 kg/10 kg  
 GP-20K: 10 kg/20 kg  
 GP-30K, GP-30KS, GP-32KS: 20 kg/30 kg  
 GP-40K: 20/30/40 kg  
 GP-60K, GP-60KS: 30/40/50/60 kg  
 GP-61K, GP-61KS: 20/30/40/50/60 kg  
 GP-100K, GP-100KS, GP-102K: 60/80/100 kg

### Operating Temperature:

41 °F to 104 °F (5 °C to 40 °C)  
 RH less than 85%  
 (no condensation)

### Est. Weight:

Approx. 39.7 lb (18 kg)

### Warranty:

Five-year limited

### Return Policy:

A&D Weighing standard policy - restock fee may apply

Model	Capacity	Readability	Repeatability	Linearity	Pan Size	Dimensions	Part #	List Price
GP-12K	12 kg	0.1 g	0.1 g	±0.2 g	15 × 13 in (384 × 344 mm)	14.6 × 24.2 × 5.1 in (372 × 615 × 130 mm)	97802	\$4,025.00
GP-20K	21 kg	0.1 g	0.1 g	±0.2 g	15 × 13 in (384 × 344 mm)	14.6 × 24.2 × 5.1 in (372 × 615 × 130 mm)	97803	\$4,425.00
GP-30K	31 kg	0.1 g	0.1 g	±0.2 g	15 × 13 in (384 × 344 mm)	13.5 × 17.4 × 5.5 in (344 × 442 × 139 mm)	97805	\$5,250.00
GP-30KS	31 kg	0.1 g	-	-	15 × 13 in (384 × 344 mm)	13.5 × 17.4 × 5.5 in (344 × 442 × 139 mm)	97810	\$5,625.00
GP-32K	31 kg / 6 kg	1 / 0.1 g	0.5 g / 0.1 g	±1 / ±2 g	15 × 13 in (384 × 344 mm)	14.6 × 24.2 × 5.1 in (372 × 615 × 130 mm)	97804	\$3,675.00
GP-32KS	31 kg / 6 kg	1 / 0.1 g	-	-	15 × 13 in (384 × 344 mm)	14.6 × 24.2 × 5.1 in (372 × 615 × 130 mm)	102901	\$4,075.00
GP-40K	41 kg	0.5 g	0.5 g	±1 g	15 × 13 in (384 × 344 mm)	14.6 × 24.2 × 5.1 in (372 × 615 × 130 mm)	97806	\$4,875.00
GP-60K	61 kg	1 g	0.7 g	±1 g	15 × 13 in (384 × 344 mm)	14.6 × 24.2 × 5.1 in (372 × 615 × 130 mm)	97807	\$6,000.00
GP-60KS	61 kg	1 g	-	-	15 × 13 in (384 × 344 mm)	14.6 × 24.2 × 5.1 in (372 × 615 × 130 mm)	102902	\$6,275.00
GP-61K	61 kg	0.1 g	0.2 g	±0.5 g	15 × 13 in (384 × 344 mm)	14.6 × 24.2 × 5.1 in (372 × 615 × 130 mm)	102900	\$6,875.00
GP-61KS	61 kg	0.1 g	-	-	15 × 13 in (384 × 344 mm)	14.6 × 24.2 × 5.1 in (372 × 615 × 130 mm)	102903	\$6,700.00
GP-100K	100 kg	1 g	1 g	±2 g	15 × 13 in (384 × 344 mm)	14.6 × 24.2 × 5.1 in (372 × 615 × 130 mm)	97808	\$6,325.00
GP-100KS	101 kg	1 g	-	-	15 × 13 in (384 × 344 mm)	14.6 × 24.2 × 5.1 in (372 × 615 × 130 mm)	97811	\$6,800.00
GP-102K	101 kg / 61 kg	10 / 1 g	5 / 1 g	±10 / ±2 g	15 × 13 in (384 × 344 mm)	14.6 × 24.2 × 5.1 in (372 × 615 × 130 mm)	97809	\$5,750.00

BALANCES  
A&D WEIGHING

HIGH CAPACITY  
**GP Series**

**Options/Accessories**

Part#	A&D Model#	Description	Price
97607	AD-1682	Rechargeable battery pack	\$815.00
97608	AD-8920	Universal remote display	\$325.00
97813	GP-04	Comparator output with buzzer	\$335.00
97814	GP-06	Analog output (replaces standard RS-232C)	\$995.00
97815	GP-07	GP extension cable (factory installed 120 day lead time)	\$370.00
97816	GP-20	Underhook GP-12 kg thru 40 kg	\$225.00
97817	GP-21	Underhook GP-60 kg thru 102 kg	\$225.00
97605	AD-100-2	Anti-theft device	\$90.00
97820	07:3004753	Protective in-use cover	\$31.50
97613	TB:136	AC adapter (120 V) standard with unit	\$47.50
97614	TB:137	AC adapter (220 V)	\$69.00
97609	AD-8922	Remote controller	\$765.00
102904	GP-12	Animal weighing pan	\$1,970.00
151247	AD-1688	Data logger	\$370.00
97612	SW:128	Foot switch	\$100.00
196128	AD-8127	Impact dot matrix, statistical printer, includes cable	\$1,030.00



**BALANCES  
 A&D WEIGHING**

# EK-AEP Series

## Standard Features

- LCD display
- ATEX and FM approved (Class I, Division 1, groups C and D)
- Optical data output
- 200 hours of battery operation\*
- Auto power off
- Counting/Percentage/Specific Gravity modes
- Optical data output

## Specifications

### Weighing Units:

Carat, Pennyweight, Troy Ounce, Newton, Decimal Ounce, Decimal Pound

### Operating Modes:

Counting, Percentage, Specific Gravity

### Power:

Four AA batteries  
 (Battery life determined with backlight off with four AA batteries. The EK-EAP must be used with any of the following to maintain FM integrity: Duracell AA alkaline MN 1500 LR6, Energizer AA E91 alkaline LR6 AM3, Panasonic AA alkaline LR6 (XJ). Do not mix type or new/used batteries.)

### Stabilization Time:

< 2 seconds

### Sensitivity Drift (10 °C to 30 °C):

±20 ppm/°C

### Calibration Weight:

EK-300AEP: 300 g  
 EK-3000AEP: 3,000 g  
 EK-12KAEP: 10 kg

### Est. Weight:

3.5 lb (1.5 kg)

### Operating Temperature:

32 °F to 104 °F (0 °C to 40 °C)

### Warranty:

Two-year limited

### Return Policy:

A&D Weighing standard policy - restock fee may apply

### Approvals:

cFMus  
 ATEX



Model	Capacity	Readability	Repeatability	Linearity	Pan Size	Dimensions	Part #	List Price
EK-300AEP	300 g	0.01 g	0.01 g	±0.02 g	Ø4.33 in (110 mm)	7.5 × 8.6 × 2.2 in (190 × 218 × 55 mm)	199565	\$1,880.00
EK-3000AEP	3,000 g	0.1 g	0.1 g	±0.2 g	5.24 in × 6.69 in (133 mm × 170 mm)	7.5 × 8.6 × 2.2 in (190 × 218 × 55 mm)	199566	\$1,990.00
EK-12KAEP	12,000 g	1 g	1 g	±1 g	5.24 in × 6.69 in (133 mm × 170 mm)	7.5 × 8.6 × 2.2 in (190 × 218 × 55 mm)	199567	\$2,220.00

## Options/Accessories

Part #	A&D Model #	Description	Price
177696	EJ-12	Carrying case	\$79.00
202077	AD-1611	Safe area serial output module (requires a fiber-optic cable)	\$525.00
202074	AX-KS5456-010	Fiber-optic cable (10 m)	\$360.00
202075	AX-KS5456-030	Fiber-optic cable (30 m)	\$640.00
202076	AX-KS5456-060	Fiber-optic cable (60 m)	\$940.00

\*Battery life determined with backlight off with four AA batteries. The EK-EAP must be used with any of the following to maintain FM integrity: Duracell AA alkaline MN 1500 LR6, Energizer AA E91 alkaline LR6 AM3, Panasonic AA alkaline LR6 (XJ). Do not mix type or new/used batteries.

BALANCES  
A&D WEIGHING



EK-300AEP



EK-3000AEP

# MS-70/MX-50/MF-50/ML-50

## Standard Features

- Fast and uniform heating with halogen lamp and uniquely designed (secondary radiation assist) SRA filter
- WinCT<sup>©</sup> communication tools software
- Sodium tartrate dihydrate is provided as a stable moisture content for accuracy checks of the analyzer
- Vacuum fluorescent display (VFD)
- Glass window for heating check and easy cleaning
- Self-check function
- Quick reference card
- RS-232 interface for connecting to printer or PC
- GLP/GMP/GCP/ISO compliant with time and date, ID, calibration data and check record outputs

## Specifications

### Operating Modes:

Wet Base, Dry Base, Solid Content, Ratio

### Measurement Programs:

Standard, Automatic, Timer, Manual

### Power:

120 VAC

### Drying Temperature:

MS-70: 30 °C to 200 °C  
 MX-50, MF-50, ML-50: 50 °C to 200 °C (1 ° increment)

### Measurement Program Memories:

MS-70, MX50: 20 sets  
 MF-50: 10 sets  
 ML-50: 5 sets

### Data Memory:

MS-70, MX-50: 100  
 MF-50: 50  
 ML-50: 30

### Moisture Content Display:

MS-70: 0.001% / 0.01% / 0.1%  
 MX-50: 0.01% / 0.1%  
 MF-50: 0.05% / 0.1% / 1%  
 ML-50: 0.1% / 1%

### Moisture Content Accuracy Over 1 g:

MS-70: 0.05%  
 MX-50: 0.10%  
 MF-50: 0.20%  
 ML-50: 0.50%

### Over 5 g:

MS-70: 0.01%  
 MX-50: 0.02%  
 MF-50: 0.05%  
 ML-50: 0.10%

### Operating Temperature:

40 °F to 104 °F (5 °C to 40 °C)

### Heating Technology:

Halogen lamp (straight type, 400 watt max, 5,000 hours)

### Est. Weight:

13 lb (5.9 kg)

### Warranty:

Five-year limited

### Return Policy:

A&D Weighing standard policy - restock fee may apply

Model	Capacity	Readability	Pan Size	Dimensions	Part #	List Price
MS-70	71 g	0.0001 g	Ø 2.16 in (85 mm)	8.46 × 12.6 × 6.8 in (215 × 320 × 173 mm)	97821	\$6,675.00
MX-50	51 g	0.001 g	Ø 2.16 in (85 mm)	8.46 × 12.6 × 6.8 in (215 × 320 × 173 mm)	97822	\$4,150.00
MF-50	51 g	0.002 g	Ø 2.16 in (85 mm)	8.46 × 12.6 × 6.8 in (215 × 320 × 173 mm)	97823	\$3,350.00
ML-50	51 g	0.005 g	Ø 2.16 in (85 mm)	8.46 × 12.6 × 6.8 in (215 × 320 × 173 mm)	112408	\$2,825.00

## Options/Accessories

Part #	A&D Model #	Description	Price
97824	AX-31	Sample pans (washable, 100 each)	\$120.00
97825	AX-32-2	Glass fiber sheets (100 each)	\$63.00
97826	AX-33	Sodium tartrate dehydrate test samples (30 × 12 g)	\$100.00
97827	AX-34	Halogen lamp (replacement)	\$79.00
97828	AX-35	Pan handles (2 each)	\$31.50
97829	AX-36	Tweezers (2 each)	\$21.00
97830	AX-37	Spoons (2 each)	\$26.50
97831	AX-38	Protective in-use covers (5 each)	\$53.00
97832	AX-39	Dust cover	\$21.00
97833	AX-42	WinCT <sup>©</sup> Moisture (standard for MS-70 and MX-50, option for MF-50)	\$285.00
97834	AD-1700-20G	Calibration mass (20 g)	\$130.00
97837	AX-43	Temperature calibrator (MS-70 and MX-50 only)	\$540.00
151247	AD-1688	Data logger	\$370.00
196128	AD-8127	Impact dot matrix, statistical printer, includes cable	\$1,030.00



BALANCES  
A&D WEIGHING

# AD-1683

## Standard Features

- Can be easily and safely installed; requires no high-voltage wiring
- Eliminates static charges from quickly running or highly electrified work pieces
- Little or no reverse charge is induced by irradiated ions because of its excellent ion polarity or the potential of the charged object
- Achieves static elimination with a huge degree of efficiency regardless of the polarity or the potential of the charged object
- Suited for static elimination in narrow and remote places because of its lengthy ion irradiation distance
- Produces only a little amount of ozone thanks to its high ion generation efficiency
- A current limiting circuit is incorporated in the ion generating electrode to reduce the possibility of electric shock
- No swing in surface potential of the charged object

## Specifications

**Power:**  
100 to 240 VAC, 50/60 Hz, 1.5 VAC

**Elimination Range:**  
Distance: 10 to 30 cm from the electrode area:  
30 × 30 cm

**Static Elimination Method:**  
DC corona discharge DUAL-DC

**Static Eliminating Electrode:**  
Tungsten emitter

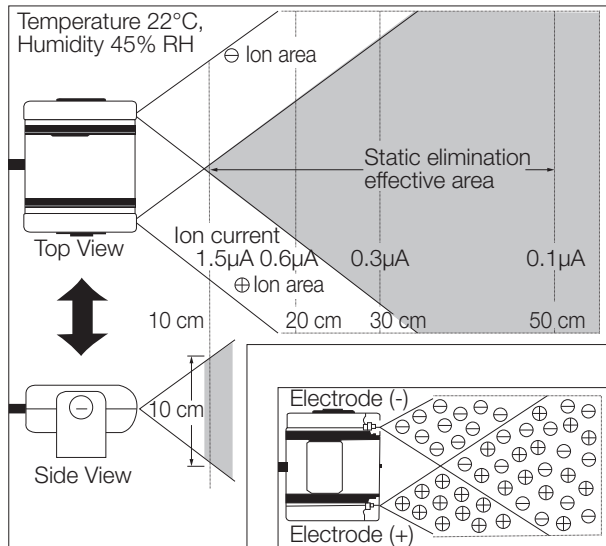
**Est. Weight:**  
300 g

**Power:**  
100 to 240 VAC, 50/60 Hz, 1.5 VAC

**Warranty:**  
One-year limited

Model	Elimination Range	Static Elimination Method	Static Eliminating Electrode	Environmental Conditions	Weight	Part #	List Price
AD-1683	Distance: 10 cm to 30 cm from the electrode area: 30 cm × 30 cm	DC corona discharge DUAL-DC	Tungsten emitter	-5 °C to 40 °C, 35% to 85% RH (no condensation)	300 g	97610	\$1,440.00

(Below) Example of AD-1683 installation showing static elimination area and an example of ion generation.





# Explorer® Series

## Standard Features

- Intuitive SmarText™ software
- 4 programmable touchless sensors
- Weighing chamber
- Color touchscreen display
- Memory for up to 99 items
- Real-time clock for GLP/GMP data collection
- Audible stability alert
- Autocal automatic calibration
- EX225D/AD and EX225/AD
- Includes ionizer and auto doors

## Specifications

### Weighing Units:

Gram, Kilogram, Ounce, Pound, Carat, Pennyweight, Grain, Newton (see technical manual for complete listing)

### Operating Modes:

Weighing, Percent Weighing, Parts Counting, Checkweighing, Dynamic/Animal Weighing, Filling, Totalization, Formulation, Differential Weighing, Density Determination, Peak Hold, Pipette Adjustment, SQC

### Power Requirements:

AC adapter input: 100 to 240 VAC 0.6A 50/60 Hz

### Stabilization Time:

0.1 mg = 0.3 seconds; 0.01 mg = 8 second

### Min-Weight:

20.0 mg fine range (USP, u=0.10%, k=2)

### Calibration:

AutoCal™ at 1.5 °C temperature change, 11 hours and external calibration

### Operating Temperature Range:

14 °F to 86 °F (-10 °C to 30 °C)

### Est. Weight:

25 lb (12.5 kg)

### Warranty:

Two-year limited

### Return Policy:

OHAUS standard policy - restock fee may apply

Model	Capacity	Readability	Repeatability (20 g) std	Repeatability (100 g) std	Linearity	Pan Size	Dimensions	Part #	List Price
EX125D	52 g/120 g	0.01 mg / 0.1 mg	±0.015 mg	0.1 mg	±0.1 mg	3.2 in (81 mm)	9 × 15.4 × 13.8 in (230 × 393 × 350 mm)	171347	\$7,300.00
EX125	120 g	0.01 mg	±0.015 mg	0.02 mg	±0.1 mg	3.2 in (81 mm)	9 × 15.4 × 13.8 in (230 × 393 × 350 mm)	171348	\$9,100.00
EX225D	120 g/220 g	0.01 mg / 0.1 mg	±0.015 mg	0.02 mg / 0.1 mg	±0.1 mg	3.2 in (81 mm)	9 × 15.4 × 13.8 in (230 × 393 × 350 mm)	171349	\$9,325.00
EX225D/AD	120 g/220 g	0.01 mg / 0.1 mg	±0.015 mg	0.02 mg / 0.1 mg	±0.1 mg	3.2 in (81 mm)	9 × 15.4 × 13.8 in (230 × 393 × 350 mm)	171350	\$9,625.00
EX225/AD	220 g	0.01 mg	±0.015 mg	0.03 mg	±0.1 mg	3.2 in (81 mm)	9 × 15.4 × 13.8 in (230 × 393 × 350 mm)	171351	\$11,825.00

## Options/Accessories

Part #	Model #	Description	Price
70406	80500525	RS-232 Cable, PC 9-pin to EX	\$260.00
156234	46001724	Multi-range AC adapter	\$67.00
156235	46001780	International plug set	\$29.00



BALANCES  
OHAUS

# Pioneer® PX Series

## Standard Features

- Easy-to-clean analytical draft shield
- Up-front level indicator
- Selectable environment settings
- Flexibility of available options
- Removable doors for easy cleaning and access
- Up-front level bubble for easy reference
- Selectable environmental settings
- Standard security bracket
- RS-232 interface for connecting to printer or PC
- Security menu lock
- Backlight display
- Underweigh hook

## Specifications

### Weighing Units:

Milligram, Gram, Carat, Ounce, Troy Ounce, Grain, Pennyweight, Momme, Taels, Tical, Tola, Baht, Mesghal, Newton, Custom Unit

### Operating Modes:

Weighing, Parts Counting, Percent, Density Determination, Dynamic Weighing

### Power:

120 VAC adapter (220 to 240 VAC adapter by special order), 50/60 Hz

### Stabilization Time Approx:

4 seconds

### Calibration Weight:

PX84/E: 50/80  
PX124/E: 50/100  
PX224/E: 100/200

### Operating Temperature:

50 °F to 86 °F (10 °C to 30 °C)

### Est. Weight:

10 lb (4.5 kg)

### Warranty:

Two-year limited

### Return Policy:

OHAUS standard policy - restock fee may apply

Model	Capacity	Readability	Repeatability	Linearity	Weighing Chamber	Pan Size	Dimensions	Part #	List Price
PX84/E	82 g	0.1 mg	0.1 mg	0.2 mg	7.32 × 6.30 × 9.05 in (186 × 160 × 230 mm)	3.54 in (90 mm)	8.2 × 12.6 × 12.2 in (209 × 321 × 309 mm)	191850	\$2,200.00
PX124/E	120 g	0.1 mg	0.1 mg	0.2 mg	7.32 × 6.30 × 9.05 in (186 × 160 × 230 mm)	3.54 in (90 mm)	8.2 × 12.6 × 12.2 in (209 × 321 × 309 mm)	191851	\$2,550.00
PX224/E	220 g	0.1 mg	0.1 mg	0.2 mg	7.32 × 6.30 × 9.05 in (186 × 160 × 230 mm)	3.54 in (90 mm)	8.2 × 12.6 × 12.2 in (209 × 321 × 309 mm)	191852	\$2,825.00

## Options/Accessories

Part #	A&D Model #	Description	Price
67413	80850080	TAL software WinWedge®	\$575.00
191875	80850043	Security device	\$310.00
102799	80780009	Forceps, 2.75 in (70 mm)	\$36.00
102800	80780010	Forceps, 3.5 in (89 mm)	\$36.00
33454	80250048	Black scoop, aluminum 4 in × 3.5 in (10.2 cm × 8.9 cm), weight 24 g	\$51.00
97250	80250400	Stainless steel scoop 11.9 in × 7.38 in × 1.69 in	\$98.00
100292	80250954	Stainless steel scoop 17.2 in × 11 in × 3.4 in (44 cm × 28 cm × 8.5 cm)	\$105.00
156234	46001724	AC adapter (requires 156235 plug set)	\$67.00
156235	46001780	Universal plug set	\$29.00
191876	30472064	Auxiliary display AD7-RS	\$96.00
191877	80253384	Density kit	\$1,030.00
191878	83034024	Sinker glass for density determination	\$865.00
191879	83021085	USB interface cable	\$260.00
191880	30093334	Dust cover	\$61.00
191881	30372546	In-use cover	\$62.00



# Explorer® Series

## Standard Features

- Automatic calibration via AutoCal™
- Communication RS-232C
- On-screen prompts
- Spill channel
- Applications library to store and quickly recall past procedures
- Brilliant backlit, high-resolution dot matrix display with simple navigation windows and menus to guide you through balance functions
- User-selectable GLP outputs via RS-232 to meet traceability requirements
- User-selectable filter, stability indicator and auto-zero tracking for use in difficult environments
- Five-language operation display text
- Protective in-use cover and security bracket
- Underweigh hook

## OPTIONS

- NTEP Certified, Legal for Trade models by special order

## Specifications

### Weighing Units:

Milligram, Gram, Kilogram, Ounce, Carat, Pennyweight, Troy Ounce, Grain, Newton  
(See technical manual for complete listing)

### Operating Modes:

Weighing, Percent Weighing, Parts Counting, Checkweighing, Dynamic/Animal Weighing, Filling, Totalization, Formulation, Differential Weighing, Density Determination, Peak Hold, Ingredient Costing, Pipette Adjustment, SQC

### Power:

AC adapter input: 100 to 240 VAC 0.6A 50/60 Hz

### Stabilization Time Approx:

EX124: 2 seconds  
EX224: 2 seconds  
EX324: 3 seconds

### Calibration:

AutoCal™ at 1.5 °C temperature change, 11 hours, and external calibration

### Operating Temperature:

50 °F to 86 °F (10 °C to 30 °C)

### Est. Weight:

21.1 lb (9.6 kg)

### Warranty:

Two-year limited

### Return Policy:

OHAUS standard policy - restock fee may apply

Model	Capacity	Readability	Repeatability	Linearity	Weighing Chamber	Pan Size	Dimensions	Part #	List Price
EX124	120 g	0.0001 g	±0.0001 g	±0.0002 g	9.5 × 7.5 × 6.5 in (241 × 190 × 165 mm)	Ø 3.5 in (90 mm)	9.1 × 15.5 × 13.8 in (230 × 393 × 350 mm)	121192	\$5,425.00
EX224	220 g	0.0001 g	±0.0001 g	±0.0002 g	9.5 × 7.5 × 6.5 in (241 × 190 × 165 mm)	Ø 3.5 in (90 mm)	9.1 × 15.5 × 13.8 in (230 × 393 × 350 mm)	121193	\$6,025.00
EX324	320 g	0.0001 g	±0.0001 g	±0.0002 g	9.5 × 7.5 × 6.5 in (241 × 190 × 165 mm)	Ø 3.5 in (90 mm)	9.1 × 15.5 × 13.8 in (230 × 393 × 350 mm)	121194	\$7,075.00

## Options/Accessories

Part #	Model #	Description	Price
35263	80850043	Security device for EX	\$120.00
77712	80500524	RS-232 cable, PC 25-pin to EX	\$260.00
70406	80500525	RS-232 Cable, PC 9-pin to EX	\$260.00
156234	46001724	Multi-range AC adapter	\$67.00
156235	46001780	International plug set	\$29.00



BALANCES  
OHAUS

# Adventurer® Series

## Standard Features

- Stable, accurate and fast operation, ensuring optimal weighing results
- Color touchscreen with 4.3 in (109 mm) display size
- Dual USB ports and RS-232 provide connectivity options
- Space-saving, top-mounted draft shield on analytical models
- Real-time clock with GLP/GMP data
- Below minimum sample weight indication with minimum weight feature
- AutoCal™ automatic calibration

## Specifications

### Weighing Units:

Milligram, Gram, Kilogram, Ounce, Pound, Carat, Pennyweight, Troy Ounce, Grain, Newton  
(See technical manual for complete listing)

### Operating Modes:

Counting, Weighing, Dynamic Weighing, Checkweighing, Percent Weighing, Totalization, Display Hold, Density Determination, Formulation

### Power:

100 to 240 VAC, 0.3A, 50 to 60 HZ AC adapter

### Calibration Weight:

AX124: 100 g  
AX224: 224 g  
AX324: 300 g

### Operating Temperature:

50 °F to 86 °F (10 °C to 30 °C)

### Est. Weight:

17.2 lb (7.8 kg)

### Warranty:

Two-year limited

Model	Capacity	Readability	Repeatability	Linearity	Pan Size	Weighing Chamber	Dimensions	Part #	List Price
AX124	120 g	0.0001 g	1 mg	0.2 mg	3.5 in (90 mm)	9.05 × 13.92 × 13.39 in (230 × 354 × 340 mm)	13.93 × 13.39 × 9.05 in (354 × 340 × 230 mm)	164622	\$3,975.00
AX224	220 g	0.0001 g	1 mg	0.2 mg	3.5 in (90 mm)	9.05 × 13.92 × 13.39 in (230 × 354 × 340 mm)	13.93 × 13.39 × 9.05 in (354 × 340 × 230 mm)	164623	\$4,375.00
AX324	320 g	0.0001 g	1 mg	0.2 mg	3.5 in (90 mm)	9.05 × 13.92 × 13.39 in (230 × 354 × 340 mm)	13.93 × 13.39 × 9.05 in (354 × 340 × 230 mm)	164625	\$4,775.00

## Options/Accessories

Part #	Model #	Description	Price
191879	83021085	USB cable, Type A to B	\$260.00
191875	80850043	Security device (laptop lock)	\$310.00
77712	80500524	25-pin RS-232 cable (PC)	\$260.00
70406	80500525	9-pin RS-232 cable (PC)	\$260.00



# Scout® SJX Series

## Standard Features

- Automatic Zero Tracking (AZT)
- Integral LCD display
- Auto-off feature
- Programmable tare
- Transportation lock
- Menu/calibration lockout switch

## Specifications

### Weighing Units:

Gram, Kilogram, Ounce, Pound, Carat, Pennyweight, Troy Ounce, Grain, Pound/Ounce

### Operating Modes:

Weighing, Parts Counting, Percent Weighing, Checkweighing, Totalization, Density Determination, Display Hold

### Power:

AC adapter (included) or four AA batteries (not included)

### Typical Battery Life:

80 hours

### Verification Interval:

SJX323N/E: 0.01 g  
 SJX622N/E and SJX1502N/E: 0.1 g  
 SJX6201N/E: 1 g

### Draft shield:

SJX323N/E: Yes  
 SJX622N/E, SJX1502N/E, SJX6201N/E: No

### Class:

SJX323N/E and SJX1502N/E: II  
 SJX622N/E and SJX6201N/E: III

### Calibration Weight:

SJX323N/E: 50 g  
 SJX622N/E: 300 g  
 SJX1502M/E: 1.5 kg  
 SJX6201N/E: 5 kg

### Operating Temperature:

Class II: 10 °C to 30 °C (0 °F to 86 °F) at 10% to 80% RH (no condensation)  
 Class III: 10 °C to 40 °C (50 °F to 104 °F) at 10% to 80% RH (no condensation)

### Est. Weight:

3.3 lb (1.5 kg)

### Warranty:

Two-year limited

### Approvals:

NTEP 16-015A1  
 Measurement Canada: AM-6008



Measurement  
 Canada  
 Approved

Model	Capacity	Readability	Repeatability	Pan Size	Dimensions	Part #	List Price
SJX323N/E	64 g	0.001 g	0.002 g	Ø 3.7 in (Ø 93 mm)	8 × 8.7 × 4.1 in (202 × 222 × 103 mm)	196652	\$895.00
SJX622N/E	620 g	0.1 g	0.01 g	Ø 4.7 in (Ø 120 mm)	8 × 8.7 × 4.1 in (202 × 222 × 103 mm)	196653	\$1,120.00
SJX1502N/E	1,500 g	0.01 g	0.02 g	6.7 × 5.5 in (170 × 140 mm)	8 × 8.7 × 4.1 in (202 × 222 × 103 mm)	196654	\$1,300.00
SJX6201N/E	6,200 g	1 g	0.1 g	6.7 × 5.5 in (170 × 140 mm)	8 × 8.7 × 4.1 in (202 × 222 × 103 mm)	196655	\$1,150.00



SJX323N/E



SJX622N/E



SJX1502N/E and SJX6201N/E

BALANCES  
 OHAUS



# Valor® 7000 Series

## Standard Features

- Touchless sensors
- Backlit dual LCD display
- Illuminated up-front level indicator
- Internal rechargeable battery
- ABS plastic housing
- Skid-resistant leveling feet
- Menu lock switch
- Multiple application modes
- RS-232 interface for connecting to printer or PC
- Fast stabilizing time

## Specifications

### Weighing Units:

Pound, Ounce, Kilogram, Gram

### Operating Modes:

Weighing, Percent, Checkweighing, Accumulation

### Power:

100 to 240V, internal rechargeable battery  
210-hour operation with 12 hour full charge

### Stabilization Time:

= 1 second

### NTEP Resolution:

V71P1502T: 3 × 0.001 lb

V71P3T: 6 × 0.002 lb

V71P6T: 15 × 0.005 lb

V71P15T: 30 × 0.01 lb

V71P30T: 60 × 0.02 lb

### Operating Temperature:

14 °F to 104 °F (-10 °C to 40 °C)

### Calibration Weight:

1502T: 1.5 kg / 3 lb

3T: 3 kg / 6 lb

6T: 6 kg / 15 lb

15T: 15 kg / 30 lb

30T: 30 kg / 60 lb

### Est. Weight:

9.2 lb (4.2 kg)

### Warranty:

One-year limited

### Return Policy:

OHAUS standard policy - restock fee may apply

### Approvals:

NTEP: CC 13-022

Measurement Canada: AM-5907C

OIML: R76/2006-NL1-12-46

NSF



Measurement  
Canada  
Approved



Model	Capacity	Readability	Pan Size	Dimensions	Part #	List Price
V71P1502T	1.5 kg	0.00005 kg	11.8 × 8.9 in (300 × 225 mm)	12.2 × 12.9 × 4.6 in (311 × 327 × 117 mm)	157316	\$910.00
V71P3T	3 kg	0.0001 kg	11.8 × 8.9 in (300 × 225 mm)	12.2 × 12.9 × 4.6 in (311 × 327 × 117 mm)	157317	\$910.00
V71P6T	6 kg	0.0002 kg	11.8 × 8.9 in (300 × 225 mm)	12.2 × 12.9 × 4.6 in (311 × 327 × 117 mm)	157318	\$910.00
V71P15T	15 kg	0.0005 kg	11.8 × 8.9 in (300 × 225 mm)	12.2 × 12.9 × 4.6 in (311 × 327 × 117 mm)	157319	\$910.00
V71P30T	30 kg	0.001 kg	11.8 × 8.9 in (300 × 225 mm)	12.2 × 12.9 × 4.6 in (311 × 327 × 117 mm)	157320	\$910.00

## Options/Accessories

Part #	Model #	Description	Price
154638	30037447	Ethernet kit	\$168.00

BALANCES  
OHAUS



# Adventurer® Series

## Standard Features

- Stable, accurate and fast operation, ensuring optimal weighing results
- Color touchscreen with 4.3 in (109 mm) display size
- Dual USB ports and RS-232 provide connectivity options
- Space-saving, top-mounted draft shield on analytical models
- Real-time clock with GLP/GMP data
- Below minimum sample weight indication with minimum weight feature
- AutoCal™

## Specifications

### Weighing Units:

Milligram, Gram, Kilogram, Ounce, Pound, Carat, Pennyweight, Troy Ounce, Grain, Newton, Hong Kong Tael, Singapore Tael, Taiwan Tael, Momme, Tical, Baht, Mesghal, Tola, Custom

### Operating Modes:

Counting, Weighing, Dynamic Weighing, Checkweighing, Percent Weighing, Totalization, Display Hold, Density Determination, Formulation

### Power:

100 to 240 VAC, 0.3A, 50/60 Hz AC adapter

### Class:

AX224N: I (0.001 g)  
 AX223N/E: II (0.01 g)  
 AX423N/E and AX523N/E: II (0.01 g)  
 AX622N/E, AX1502N/E, AX2202N/E,  
 AX4202N/E: II (0.1 g)  
 AX8201N/E: II (1 g)

### Operating Temperature:

10 °C to 30 °C (50 °F to 86 °F)

### Calibration Weight:

224N, AX223 and AX223N/E: 200 g  
 AX423: 400 g  
 AX523: 500 g  
 AX622: 600 g  
 1502N/E: 1500 g  
 2202N/E: 2000 g  
 4202N/E: 4000 g  
 8201N/E: 8000 g

### Est. Weight:

AX224N: 17.2 lb (7.8 kg)  
 AX223N/E: 12.8 lb (5.8 kg)  
 AX423N/E and AX523N/E: 12.8 lb (5.8 kg)  
 AX622N/E, AX1502N/E, AX2202N/E,  
 AX4202N/E: 14.4 lb (6.5 kg)  
 AX8201N/E: 12.6 lb (5.7 kg)

### Warranty:

Two-year limited

### Return Policy:

OHAUS standard policy - restock fee may apply

### Approvals:

NTEP 14-082A4  
 Measurement Canada: AM-5957



Measurement  
 Canada  
 Approved

Model	Capacity	Readability	Repeatability	Linearity	Pan Size	Dimensions	Part #	List Price
<b>NTEP Certified and Measurement Canada Approved</b>								
AX224N	220 g	0.0001 g	2 mg	0.2 mg	3.5 in (90 mm)	13.93 × 13.39 × 9.05 in (354 × 340 × 230 mm)	<b>164624</b>	\$4,650.00
AX223N/E	220 g	0.001 g	0.001 g	0.2 mg	5.1 in (130 mm)	13.93 × 13.39 × 9.05 in (354 × 340 × 230 mm)	<b>164627</b>	\$2,110.00
AX423N/E	420 g	0.001 g	0.001 g	0.002 mg	5.1 in (130 mm)	13.93 × 13.39 × 9.05 in (354 × 340 × 230 mm)	<b>164629</b>	\$2,525.00
AX523N/E	520 g	0.001 g	0.001 g	0.002 mg	5.1 in (130 mm)	13.93 × 13.39 × 9.05 in (354 × 340 × 230 mm)	<b>164632</b>	\$2,800.00
AX622N/E	620 g	0.01 g	0.001 g	0.002 mg	6.9 × 7.7 in (175 × 195 mm)	13.93 × 3.94 × 9.05 in (354 × 100 × 230 mm)	<b>164634</b>	\$1,630.00
AX1502N/E	1,520 g	0.01 g	0.001 g	0.002 mg	6.9 × 7.7 in (175 × 195 mm)	13.93 × 3.94 × 9.05 in (354 × 100 × 230 mm)	<b>164636</b>	\$1,840.00
AX2202N/E	2,200 g	0.01 g	0.01 g	0.002 mg	6.9 × 7.7 in (175 × 195 mm)	13.93 × 3.94 × 9.05 in (354 × 100 × 230 mm)	<b>164638</b>	\$2,050.00
AX4202N/E	4,200 g	0.01 g	0.01 g	0.002 mg	6.9 × 7.7 in (175 × 195 mm)	13.93 × 3.94 × 9.05 in (354 × 100 × 230 mm)	<b>164640</b>	\$2,600.00
AX8201N/E	8,200 g	0.1 g	0.1 g	0.02 mg	6.9 × 7.7 in (175 × 195 mm)	13.93 × 3.94 × 9.05 in (354 × 100 × 230 mm)	<b>164644</b>	\$2,050.00

**BALANCES  
 OHAUS**

## Options/Accessories

Part #	Model #	Description	Price
<b>191879</b>	83021085	USB cable, Type A to B	\$260.00
<b>191875</b>	80850043	Security device (laptop lock)	\$310.00
<b>77712</b>	80500524	25-pin RS-232 cable (PC)	\$260.00
<b>70406</b>	80500525	9-pin RS-232 cable (PC)	\$260.00



# Adventurer® Series

## Standard Features

- Stable, accurate and fast operation, ensuring optimal weighing results
- Color touchscreen with 4.3 in (109 mm) display size
- Dual USB ports and RS-232 provide connectivity options
- Space-saving, top-mounted draft shield on analytical models
- Real-time clock with GLP/GMP data
- Below minimum sample weight indication with minimum weight feature
- AutoCal™ automatic internal calibration for optimized weighing performance

## Specifications

### Weighing Units:

Milligram, Gram, Kilogram, Ounce, Pound, Carat, Pennyweight, Troy Ounce, Grain, Newton, Hong Kong Tael, Singapore Tael, Taiwan Tael, Momme, Tical, Baht, Mesghal, Tola, Custom

### Operating Modes:

Counting, Weighing, Dynamic Weighing, Checkweighing, Percent Weighing, Totalization, Display Hold, Density Determination, Formulation

### Power:

100 to 240 VAC, 0.3A, 50/60 Hz AC adapter

### Stabilization Time:

1 second

### Calibration Weight:

AX223: 200 g  
AX423: 400 g  
AX523: 500 g  
AX622: 600 g

### Operating Temperature:

10 °C to 30 °C (50 °F to 86 °F)

### Est. Weight:

AX223, AX423, AX523: 12.8 lb (5.8 kg)

### Warranty:

Two-year limited

### Return Policy:

OHAUS standard policy - restock fee may apply

Model	Capacity	Readability	Repeatability	Linearity	Pan Size	Dimensions	Part #	List Price
AX223	220 g	0.001 g	0.001 g	0.2 mg	5.1 in (130 mm)	13.93 × 13.39 × 9.05 in (354 × 340 × 230 mm)	164626	\$2,400.00
AX423	420 g	0.001 g	0.001 g	0.002 mg	5.1 in (130 mm)	13.93 × 13.39 × 9.05 in (354 × 340 × 230 mm)	164628	\$2,900.00
AX523	520 g	0.001 g	0.001 g	0.002 mg	5.1 in (130 mm)	13.93 × 13.39 × 9.05 in (354 × 340 × 230 mm)	164630	\$3,175.00
AX622	620 g	0.01 g	0.001 g	0.002 mg	6.9 x 7.7 in (175 × 195 mm)	13.93 × 3.94 × 9.05 in (354 × 100 × 230 mm)	164633	\$1,820.00

## Options/Accessories

Part #	Model #	Description	Price
191879	83021085	USB cable, Type A to B	\$260.00
191875	80850043	Security device (laptop lock)	\$310.00
77712	80500524	25-pin RS-232 cable (PC)	\$260.00
70406	80500525	9-pin RS-232 cable (PC)	\$260.00



# Pioneer® PX Series

## Standard Features

- Easy-to-clean analytical draft shield (select models)
- Removable doors for easy cleaning and access
- Up-front level bubble for easy reference
- Selectable environmental settings
- Standard security bracket
- RS-232 interface for connecting to printer or PC
- Security menu lock
- Backlight display
- Flexibility of available options
- Underweigh hook

## Specifications

### Weighing Units:

Milligram, Gram, Carat, Ounce, Troy Ounce, Grain, Pennyweight, Momme, Tael, Tola, Baht, Mesghal, Newton, Custom Unit

### Operating Modes:

Weighing, Parts Counting, Percent, Density, Determination, Dynamic Weighing

### Power:

120 VAC adapter (220 to 240 VAC adapter by special order), 50/60 Hz

### Stabilization Time:

Approx. 4 seconds

### Calibration Weight:

PX163/E: 100/150 g  
 PX323/E: 200/300 g  
 PX523/E: 200/500 g

### Operating Temperature:

10 °C to 30 °C (50 °F to 86 °F)

### Est. Weight:

10 lb (4.5 kg)

### Warranty:

Two-year limited

### Return Policy:

OHAUS standard policy - restock fee may apply

Model	Capacity	Readability	Repeatability	Linearity	Pan Size	Dimensions	Part #	List Price
PX163/E	160 g	0.001 g	1 mg	2 mg	4.72 in (120 mm)	8.2 × 12.6 × 12.2 in (209 × 321 × 309 mm)	191853	\$1,280.00
PX323/E	320 g	0.001 g	1 mg	2 mg	4.72 in (120 mm)	8.2 × 12.6 × 12.2 in (209 × 321 × 309 mm)	191854	\$1,490.00
PX523/E	520 g	0.001 g	1 mg	2 mg	4.72 in (120 mm)	8.2 × 12.6 × 12.2 in (209 × 321 × 309 mm)	191855	\$1,824.00

## Options/Accessories

Part #	A&D Model #	Description	Price
67413	80850080	TAL software WinWedge®	\$575.00
191875	80850043	Security device	\$310.00
102799	80780009	Forceps, 2.75 in (70 mm)	\$36.00
102800	80780010	Forceps, 3.5 in (89 mm)	\$36.00
33454	80250048	Black scoop, aluminum 4 in × 3.5 ft (10.2 cm × 8.9 cm), weight 24 g	\$51.00
97250	80250400	Stainless steel scoop 11.9 in × 7.38 in × 1.69 in	\$98.00
100292	80250954	Stainless steel scoop 17.2 in × 11 in × 3.4 in (44 cm × 28 cm × 8.5 cm)	\$105.00
156234	46001724	AC adapter (requires 156235 plug set)	\$67.00
156235	46001780	Universal plug set	\$29.00
191876	30472064	Auxiliary display AD7-RS	\$96.00
191877	80253384	Density kit	\$1,030.00
191878	83034024	Sinker glass for density determination	\$865.00
191879	83021085	USB interface cable	\$260.00
191880	30093334	Dust cover	\$61.00
191881	30372546	In-use cover	\$62.00



BALANCES  
OHAUS

# Explorer® Series

## Standard Features

- Capacities from 220 g to 10.2 kg with readability to 0.001 g
- Large, 5.7 full-color touchscreen display with intuitive setup and application software
- AutoCal™ automatic internal calibration for optimized weighing performance
- 14 application modes, 11 weighing units and 5 display languages for a wide variety of applications
- Four programmable touchless sensors for hands-free operation
- 0.001 g models feature frameless draftshield with anti-static glass, flip-top and large side entry doors on top-mounted bearings

### OPTIONS

- External calibration models available upon request

## Specifications

### Weighing Units:

Milligram, Gram, Kilogram, Ounce, Carat, Pennyweight, Troy Ounce, Grain, Newton (See technical manual for complete listing)

### Operating Modes:

Weighing, Percent Weighing, Parts Counting, Checkweighing, Dynamic/Animal Weighing, Filling, Totalization, Formulation, Differential Weighing, Density Determination, Peak Hold, Ingredient Costing, Pipette Adjustment, SQC

### Power Requirements:

AC adapter input: 100 to 240 VAC 0.6A 50/60 Hz

### Stabilization Time:

= 1.5 second

### Calibration:

AutoCal™ at 1.5 °C temperature change, 11 hours, and external calibration

### Operating Temperature:

10 °C to 30 °C (50 °F to 86 °F)

### Est. Weight:

21.1 lb (9.6 kg)

### Warranty:

Two-year limited

### Return Policy:

OHAUS standard policy - restock fee may apply

Model	Capacity	Readability	Repeatability	Linearity	Weighing Chamber	Pan Size	Dimensions	Part #	List Price
EX223	220 g	0.001 g	±0.001 g	±0.002 g	9.5 × 7.5 × 6.5 in (241 × 191 × 165 mm)	Ø 5.1 in (130 mm)	9.1 × 15.5 × 13.8 in (230 × 393 × 350 mm)	121195	\$3,575.00
EX423	420 g	0.001 g	±0.001 g	±0.002 g	9.5 × 7.5 × 6.5 in (241 × 191 × 165 mm)	Ø 5.1 in (130 mm)	9.1 × 15.5 × 13.8 in (230 × 393 × 350 mm)	121196	\$4,175.00
EX623	620 g	0.001 g	±0.001 g	±0.002 g	9.5 × 7.5 × 6.5 in (241 × 191 × 165 mm)	Ø 5.1 in (130 mm)	9.1 × 15.5 × 13.8 in (230 × 393 × 350 mm)	121197	\$5,100.00
EX1103	1,100 g	0.001 g	±0.001 g	±0.002 g	9.5 × 7.5 × 6.5 in (241 × 191 × 165 mm)	Ø 5.1 in (130 mm)	9.1 × 15.5 × 13.8 in (230 × 393 × 350 mm)	121198	\$5,975.00

## Options/Accessories

Part #	Model #	Description	Price
35263	80850043	Security device	\$120.00
77712	80500524	RS-232 cable, PC 25-pin to EX	\$260.00
70406	80500525	RS-232 Cable, PC 9-pin to EX	\$260.00
156234	46001724	Multi-range AC adapter	\$67.00
156235	46001780	International plug set	\$29.00

BALANCES  
OHAUS





# Scout® Series

## Standard Features

- ABS housing and stainless steel pan
- Display type (SPX): backlit LCD, six-digit, seven-segment with white LED backlight
- Display type (STX): full-color touchscreen WQVGA graphic LCD

## Specifications

### Weighing Units:

Gram, Kilogram, Ounce, Pound, Carat, Pennyweight, Troy Ounce, Grain, Newton, Pound/Ounce (See technical manual for complete listing)

### Operating Modes:

Weighing, Parts Counting, Percent Weighing, Checkweighing, Totalization, Display Hold, Only available on STX models: Animal/Dynamic Weighing, Density Determination, Mole Weighing

### Power:

Multi-range, multi-plug AC power or battery (uses 4 AA batteries not included)

### Stabilization Time:

1 second

### Typical Battery Life:

SPX123, SPX223, SPX422, SPX622, SPX1202, SPX2202, SPX6201: 80 hours  
 SPX222, SPX421, SPX621, SPX2201, SPX8200: 120 hours

### Calibration Weight:

SPX123 and STX123: 100 g  
 SPX223, STX223: 200 g

### Operating Temperature:

10 °C to 40 °C (50 °F to 104 °F);  
 10% to 85% at 31 °C, decreasing linearly to 50% at 40 °C (no condensation)

### Est. Weight:

2.8 lb (1.24 kg)

### Warranty:

One-year limited

### Return Policy:

OHAUS standard policy - restock fee may apply

Model	Capacity	Readability	Repeatability	Linearity	Pan Size	Dimensions	Part #	List Price
<b>LCD Model</b>								
SPX123	120 g	0.001 g	2 d	0.003 g	Ø 3.7 in (93 mm)	8 × 8.7 × 4.1 in (202 × 222 × 103 mm)	171984	\$895.00
SPX223	220 g	0.001 g	2 d	0.001 g	Ø 3.7 in (93 mm)	8 × 8.7 × 4.1 in (202 × 222 × 103 mm)	171985	\$1,000.00
<b>Touchscreen Model</b>								
STX123	120 g	0.001 g	2 d	0.003 g	Ø 3.7 in (93 mm)	8 × 8.7 × 4.1 in (202 × 222 × 103 mm)	171996	\$1,020.00
STX223	220 g	0.001 g	2 d	0.001 g	Ø 3.7 in (93 mm)	8 × 8.7 × 4.1 in (202 × 222 × 103 mm)	171998	\$1,140.00

## Options/Accessories

Part #	Model #	Description	Price
67413	80850080	WinWedge® TAL Software	\$575.00
181878	30330714	Power supply, US plug, 110/220 VAC	\$36.00

BALANCES  
OHAUS



SPX Round Pan



STX Rectangular Pan

# Pioneer® PX Series

## Standard Features

- Up-front level bubble for easy reference
- Selectable environmental settings
- Standard security bracket
- RS-232 interface for connecting to printer or PC
- Security menu lock
- Backlight display
- Flexibility of available options
- Underweigh hook

## Specifications

### Weighing Units:

Milligram, Gram, Carat, Ounce, Troy Ounce, Grain, Pennyweight, Momme, Taels, Tical, Tola, Baht, Mesghal, Newton, Custom Unit

### Operating Modes:

Weighing, Parts Counting, Percent, Density Determination, Dynamic Weighing

### Power:

120 VAC adapter (220 to 240 VAC adapter by special order), 50/60 Hz

### Stabilization Time:

160 to 520 g: 2 seconds  
1,600 to 4,200 g: 1 second

### Operating Temperature:

50 °F to 86 °F (10 °C to 30 °C)

### Calibration Weight:

PX1602/E: 1,000/1,500 g  
PX2202/E: 1,000/2,000 g  
PX3202/E: 2,000/3,000 g  
PX4202/E: 2,000/4,000 g  
PX2201/E: 1,000/2,000 g  
PX4201/E: 2,000/4,000 g

### Est. Weight:

160 to 520 g: 10 lb (4.5 kg)  
1,600 to 4,200 g: 7.7 lb (3.5 kg)

### Warranty:

Two-year limited

### Return Policy:

OHAUS standard policy - restock fee may apply

Model	Capacity	Readability	Repeatability	Linearity	Pan Size	Dimensions	Part #	List Price
PX1602/E	1,600 g	0.01 g	10 mg	20 mg	7.1 in (180 mm)	8.2 × 12.6 × 3.9 in (209 × 321 × 98 mm)	191856	\$1,230.00
PX2202/E	2,200 g	0.01 g	10 mg	20 mg	7.1 in (180 mm)	8.2 × 12.6 × 3.9 in (209 × 321 × 98 mm)	191857	\$1,350.00
PX3202/E	3,200 g	0.01 g	10 mg	20 mg	7.1 in (180 mm)	8.2 × 12.6 × 3.9 in (209 × 321 × 98 mm)	191858	\$1,620.00
PX4202/E	4,200 g	0.01 g	10 mg	20 mg	7.1 in (180 mm)	8.2 × 12.6 × 3.9 in (209 × 321 × 98 mm)	191859	\$1,840.00
PX2201/E	2,200 g	0.1 g	100 mg	200 mg	7.1 in (180 mm)	8.2 × 12.6 × 3.9 in (209 × 321 × 98 mm)	191860	\$1,150.00
PX4201/E	4,200 g	0.1 g	100 mg	200 mg	7.1 in (180 mm)	8.2 × 12.6 × 3.9 in (209 × 321 × 98 mm)	191861	\$1,320.00

## Options/Accessories

Part #	Model #	Description	Price
67413	80850080	TAL software WinWedge®	\$575.00
191875	80850043	Security device	\$310.00
102799	80780009	Forceps, 2.75 in (70 mm)	\$36.00
102800	80780010	Forceps, 3.5 in (89 mm)	\$36.00
33454	80250048	Black scoop, aluminum 4 in × 3.5 in (10.2 cm × 8.9 cm), weight 24 g	\$51.00
97250	80250400	Stainless steel scoop 11.9 in × 7.38 in × 1.69 in	\$98.00
100292	80250954	Stainless steel scoop 17.2 in × 11 in × 3.4 in (44 cm × 28 cm × 8.5 cm)	\$105.00
156234	46001724	AC adapter (requires 156235 plug set)	\$67.00
156235	46001780	Universal plug set	\$29.00
191876	30472064	Auxiliary display AD7-RS	\$96.00
191877	80253384	Density kit	\$1,030.00
191878	83034024	Sinker glass for density determination	\$865.00
191879	83021085	USB interface cable	\$260.00
191880	30093334	Dust cover	\$61.00
191881	30372546	In-use cover	\$62.00

BALANCES  
OHAUS



# Explorer® Series

## Standard Features

- Large, 5.7 full-color touchscreen display with intuitive set up and application software
- AutoCal™ automatic internal calibration for optimized weighing performance
- 14 application modes, 11 weighing units and 5 display languages for a wide variety of applications
- Four programmable touchless sensors for hands-free operation

## OPTIONS

- External calibration models available upon request

## Specifications

### Weighing Units:

Milligram, Gram, Kilogram, Ounce, Carat, Pennyweight, Troy Ounce, Grain, Newton (See technical manual for complete listing)

### Operating Modes:

Weighing, Percent Weighing, Parts Counting, Checkweighing, Dynamic/Animal Weighing, Filling, Totalization, Formulation, Differential Weighing, Density Determination, Peak Gold, Ingredient Costing, Pipette Adjustment, SQC

### Power Requirements:

AC adapter input: 100 to 240 VAC 0.6A 50/60 Hz

### Stabilization Time:

1 second

### Calibration:

AutoCal™ at 1.5 °C temperature change, 11 hours and external calibration

### Operating Temperature Range:

10 °C to 30 °C (50 °F to 86 °F)

### Est. Weight:

EX2202, EX4202: 15 lb (6.8 kg)  
EX6202, EX10202, EX6201, EX10201: 16.3 lb (7.4 kg)

### Warranty:

Two-year limited

### Return Policy:

OHAUS standard policy - restock fee may apply

Model	Capacity	Readability	Repeatability	Linearity	Pan Size	Dimensions	Part #	List Price
EX2202	2,200 g	0.01 g	±0.01 g	±0.02 g	7.5 × 7.9 in (190 × 200 mm)	9.1 × 15.5 × 3.9 in (230 × 393 × 98 mm)	121199	\$3,850.00
EX4202	4,200 g	0.01 g	±0.01 g	±0.02 g	7.5 × 7.9 in (190 × 200 mm)	9.1 × 15.5 × 3.9 in (230 × 393 × 98 mm)	121200	\$4,425.00
EX6202	6,200 g	0.01 g	±0.01 g	±0.02 g	7.5 × 7.9 in (190 × 200 mm)	9.1 × 15.5 × 3.9 in (230 × 393 × 98 mm)	121201	\$5,025.00
EX10202	10,200 g	0.01 g	±0.01 g	±0.02 g	7.5 × 7.9 in (190 × 200 mm)	9.1 × 15.5 × 3.9 in (230 × 393 × 98 mm)	121202	\$5,950.00
EX6201	6,200 g	0.1 g	±0.1 g	±0.1 g	7.5 × 7.9 in (190 × 200 mm)	9.1 × 15.5 × 3.9 in (230 × 393 × 98 mm)	121203	\$4,175.00
EX10201	10,200 g	0.1 g	±0.1 g	±0.1 g	7.5 × 7.9 in (190 × 200 mm)	9.1 × 15.5 × 3.9 in (230 × 393 × 98 mm)	121204	\$4,575.00

## Options/Accessories

Part #	Model #	Description	Price
35263	80850043	Security device	\$120.00
77712	80500524	RS-232 cable, PC 25-pin to EX	\$260.00
70406	80500525	RS-232 Cable, PC 9-pin to EX	\$260.00
156234	46001724	Multi-range AC adapter	\$67.00
156235	46001780	International plug set	\$29.00



BALANCES  
OHAUS

# Adventurer® Series

## Standard Features

- AutoCal™ automatic internal calibration for optimized weighing performance
- Stable, accurate and fast operation, ensuring optimal weighing results
- Color touchscreen with 4.3 in (109 mm) display size
- Dual USB ports and RS-232 provide connectivity options
- Real-time clock with GLP/GMP data
- Below minimum sample weight indication with minimum weight feature

## Specifications

### Weighing Units:

Milligram, Gram, Kilogram, Ounce, Pound, Carat, Pennyweight, Troy Ounce, Grain, Newton (See technical manual for complete listing)

### Operating Modes:

Counting, Weighing, Dynamic Weighing, Checkweighing, Percent Weighing, Totalization, Display Hold, Density Determination, Formulation

### Power:

100 to 240 VAC, 0.3A, 50/60 Hz AC adapter

### Operating Temperature:

10 °C to 30 °C (50 °F to 86 °F)

### Est. Weight:

AX1502, AX2202, AX4202: 14.4 lb (6.5 kg)  
AX8201, AX5202: 12.6 lb (5.7 kg)

### Warranty:

Two-year limited

### Return Policy:

OHAUS standard policy - restock fee may apply

Model	Capacity	Readability	Repeatability	Linearity	Pan Size	Dimensions	Part #	List Price
AX1502	1,520 g	0.01 g	0.001 g	0.002 mg	6.9 × 7.7 in (175 × 195 mm)	13.93 × 3.94 × 9.05 in (354 × 100 × 230 mm)	164635	\$2,220.00
AX2202	2,200 g	0.01 g	0.01 g	0.002 mg	6.9 × 7.7 in (175 × 195 mm)	13.93 × 3.94 × 9.05 in (354 × 100 × 230 mm)	164637	\$2,360.00
AX4202	4,200 g	0.01 g	0.01 g	0.002 mg	6.9 × 7.7 in (175 × 195 mm)	13.93 × 3.94 × 9.05 in (354 × 100 × 230 mm)	164639	\$2,975.00
AX5202	5,200 g	0.01 g	0.01 g	0.002 mg	6.9 × 7.7 in (175 × 195 mm)	13.93 × 3.94 × 9.05 in (354 × 100 × 230 mm)	164641	\$3,375.00
AX4201	4,200 g	0.1 g	0.1 g	0.02 mg	6.9 × 7.7 in (175 × 195 mm)	13.93 × 3.94 × 9.05 in (354 × 100 × 230 mm)	164642	\$1,960.00
AX8201	8,200 g	0.1 g	0.1 g	0.02 mg	6.9 × 7.7 in (175 × 195 mm)	13.93 × 3.94 × 9.05 in (354 × 100 × 230 mm)	164643	\$2,290.00

## Options/Accessories

Part #	Model #	Description	Price
191879	83021085	USB cable, Type A to B	\$260.00
191875	80850043	Security device (laptop lock)	\$310.00
77712	80500524	25-pin RS-232 cable (PC)	\$260.00
70406	80500525	9-pin RS-232 cable (PC)	\$260.00



# Navigator™ XT Series

## Standard Features

- Touchless IR (infrared) sensors minimize keypad use
- Program IR sensor to control zero, print tare, backlight and power functions
- Backlit 0.8 in LCD display for high visibility
- Illuminated level indicator at start-up
- Integrated transportation and calibration lock switch
- Hygienic design for easy cleanup in food, laboratory and industrial applications
- Impact-resistant ABS plastic housing with polished stainless steel spill-resistant pan
- Non-skid leveling feet

## Specifications

### Weighing Units:

Gram, Carat, Ounce, Pound, Carat, Pennyweight, Troy Ounce, Grain, Pound/Ounce, (See technical manual for complete listing)

### Operating Modes:

Weighing, Percent, Parts Counting, Checkweighing, Display Hold, Accumulation/Totalization

### Power:

12 VDC 0.42A AC adapter, 100 to 240 V, four C-batteries (not included)

### Stabilization Time:

1 second (NVT4201 = 1.5 seconds)

### Ext. Cal. Mass (optional):

NVT2201: 2 lb (1 kg)  
 NVT4201: 5 lb (2 kg)  
 NVT6200: 10 lb (5 kg)  
 NVT12000: 10 lb (5 kg)  
 NVT2200: 20 lb (10 kg)

### Operating Temperature:

10 °C to 40 °C (50 °F to 104 °F) at 20% to 85% RH

### Est. Weight:

5.1 lb (2.3 kg)

### Warranty:

One-year limited

### Return Policy:

OHAUS standard policy - restock fee may apply

Model	Capacity	Readability	Linearity	Pan Size	Dimensions	Part #	List Price
NVT2201	2,200 g	0.1 g	0.1 g/±0.2 g	9.1 × 6.9 in (230 × 174 mm)	9.5 × 9.8 × 2.9 in (240 × 250 × 74 mm)	194607	\$510.00
NVT4201	4,200 g	0.1 g	0.1 g/±0.2 g	9.1 × 6.9 in (230 × 174 mm)	9.5 × 9.8 × 2.9 in (240 × 250 × 74 mm)	194608	\$635.00
NVT6200	6,200 g	1 g	1 g/±2 g	9.1 × 6.9 in (230 × 174 mm)	9.5 × 9.8 × 2.9 in (240 × 250 × 74 mm)	194609	\$635.00
NVT12000	12,000 g	1 g	1 g/±2 g	9.1 × 6.9 in (230 × 174 mm)	9.5 × 9.8 × 2.9 in (240 × 250 × 74 mm)	194610	\$685.00
NVT22000	22,000 g	1 g	1 g/±2 g	9.1 × 6.9 in (230 × 174 mm)	9.5 × 9.8 × 2.9 in (240 × 250 × 74 mm)	194611	\$820.00

## Options/Accessories

Part #	Model #	Description	Price
118779	83032107	RS-232 interface kit, Navigator series	\$225.00
118780	83032108	USB interface kit	\$225.00
118781	83032109	Ethernet interface kit	\$225.00
194616	30467963	Carrying case	\$150.00
194615	30467987	Universal AC adapter	\$53.00





# Scout® Series

## Standard Features

- ABS housing and stainless steel pan
- Display type (SPX): backlit LCD, six-digit, seven-segment with white LED backlight
- Display type (STX): full-color touchscreen WQVGA graphic LCD

## Specifications

### Weighing Units:

Gram, Kilogram, Ounce, Pound, Carat, Pennyweight, Troy Ounce, Grain, Newton, Pound/Ounce (See technical manual for complete listing)

### Operating Modes:

Weighing, Parts Counting, Percent Weighing, Checkweighing, Totalization, Display Hold, Only available on STX models: Animal/Dynamic Weighing, Density Determination, Mole Weighing

### Power:

Multi-range, multi-plug AC power or battery (uses four-AA batteries not included)

### Stabilization Time:

1 second

### Typical Battery Life:

SPX422, SPX622, SPX1202, SPX2202, SPX6201: 80 hours  
 SPX222, SPX421, SPX621, SPX2201, SPX8200: 120 hours

### Calibration Weight:

SPX222, STX222: 200 g  
 SPX422, SPX421, STX422, SPT421: 400 g  
 SPX622, SPX621, STX622, STX621: 600 g  
 SPX1202 and STX1202: 1,000 g  
 SPX2202, SPX2201, STX2202, STX2201: 2,000 g  
 SPX6201: 6,000 g  
 SPX8200: 8,000 g

### Operating Temperature:

10 °C to 40 °C (50 °F to 104 °F);  
 10% to 85% at 31 °C, decreasing linearly to 50% at 40 °C (no condensation)

### Est. Weight:

2.8 lb (1.24 kg)

### Warranty:

One-year limited

### Return Policy:

OHAUS standard policy - restock fee may apply

Model	Capacity	Readability	Repeatability	Linearity	Pan Size	Dimensions	Part #	List Price
<b>LCD Model</b>								
SPX222	220 g	0.01 g	1d	0.01 g	Ø 4.7 in (120 mm)	8 × 8.8 × 2.1 in (202 × 224 × 54 mm)	171986	\$650.00
SPX422	420 g	0.01 g	1d	0.01 g	Ø 4.7 in (120 mm)	8 × 8.8 × 2.1 in (202 × 224 × 54 mm)	171987	\$915.00
SPX622	620 g	0.01 g	1d	0.01 g	Ø 4.7 in (120 mm)	8 × 8.8 × 2.1 in (202 × 224 × 54 mm)	171988	\$1,070.00
SPX1202	1,200 g	0.01 g	2d	0.01 g	6.7 × 5.5 in (170 × 140 mm)	8 × 8.8 × 2.1 in (202 × 224 × 54 mm)	171989	\$1,220.00
SPX2202	2,200 g	0.01 g	2d	0.01 g	6.7 × 5.5 in (170 × 140 mm)	8 × 8.8 × 2.1 in (202 × 224 × 54 mm)	171990	\$1,370.00
SPX421	420 g	0.1 g	1d	0.1 g	Ø 4.7 in (120 mm)	8 × 8.8 × 2.1 in (202 × 224 × 54 mm)	171991	\$360.00
SPX621	620 g	0.1 g	1d	0.1 g	6.7 × 5.5 in (170 × 140 mm)	8 × 8.8 × 2.1 in (202 × 224 × 54 mm)	171992	\$535.00
SPX2201	2,200 g	0.1 g	1d	0.1 g	6.7 × 5.5 in (170 × 140 mm)	8 × 8.8 × 2.1 in (202 × 224 × 54 mm)	171993	\$680.00
SPX6201	6,200 g	0.1 g	1d	0.2 g	6.7 × 5.5 in (170 × 140 mm)	8 × 8.8 × 2.1 in (202 × 224 × 54 mm)	171994	\$1,110.00
SPX8200	8,200 g	1 g	1d	1 g	6.7 × 5.5 in (170 × 140 mm)	8 × 8.8 × 2.1 in (202 × 224 × 54 mm)	171995	\$555.00

BALANCES  
OHAUS



SPX Round Pan

# Scout® Series

Model	Capacity	Readability	Repeatability	Linearity	Pan Size	Dimensions	Part #	List Price
<b>Touchscreen Model</b>								
STX222	220 g	0.01 g	1d	0.01 g	Ø 4.7 in (120 mm)	8 × 8.8 × 2.1 in (202 × 224 × 54 mm)	171999	\$750.00
STX422	420 g	0.01 g	1d	0.01 g	Ø 4.7 in (120 mm)	8 × 8.8 × 2.1 in (202 × 224 × 54 mm)	172000	\$1,050.00
STX622	620 g	0.01 g	1d	0.01 g	Ø 4.7 in (120 mm)	8 × 8.8 × 2.1 in (202 × 224 × 54 mm)	172001	\$1,230.00
STX1202	1,200 g	0.01 g	2d	0.01 g	6.7 × 5.5 in (170 × 140 mm)	8 × 8.8 × 2.1 in (202 × 224 × 54 mm)	172002	\$1,400.00
STX2202	2,200 g	0.01 g	2d	0.01 g	6.7 × 5.5 in (170 × 140 mm)	8 × 8.8 × 2.1 in (202 × 224 × 54 mm)	172003	\$1,570.00
STX421	420 g	0.01 g	1d	0.01 g	Ø 4.7 in (120 mm)	8 × 8.8 × 2.1 in (202 × 224 × 54 mm)	172004	\$425.00
STX621	620 g	0.1 g	1d	0.01 g	6.7 × 5.5 in (170 × 140 mm)	8 × 8.8 × 2.1 in (202 × 224 × 54 mm)	172005	\$635.00
STX2201	2,200 g	0.1 g	1d	0.01 g	6.7 × 5.5 in (170 × 140 mm)	8 × 8.8 × 2.1 in (202 × 224 × 54 mm)	172006	\$805.00
STX6201	6,200 g	0.1 g	1d	0.02 g	6.7 × 5.5 in (170 × 140 mm)	8 × 8.8 × 2.1 in (202 × 224 × 54 mm)	172007	\$1,270.00
STX8200	8,200 g	1 g	1d	0.01 g	6.7 × 5.5 in (170 × 140 mm)	8 × 8.8 × 2.1 in (202 × 224 × 54 mm)	172008	\$660.00

## Options/Accessories

Part #	Model #	Description	Price
67413	80850080	WinWedge® TAL Software	\$575.00
181878	30330714	Power supply, US plug, 110/220 VAC	\$36.00



STX Rectangular Pan

**BALANCES  
OHAUS**

# Valor® 3000 Xtreme Series

## Standard Features

- Full 304 stainless steel housing with chemical resistant keypad
- Removable stainless steel weighing pan
- USDA approved
- Supports HACCP
- Resolutions up to 20,000d
- SmarText™ user interface
- Bright backlit LCD display
- Convenient up-front level device
- NSF listed
- NTEP 08-008A1 models available by special order

## Specifications

### Weighing Units:

Gram, Kilogram, Ounce, Pound, Decimal, Pound/Ounce, Fractional Ounces (See technical manual for complete listing)

### Operating Modes:

Weighing, Percent Weighing, Combined Zero/Tare, Specific Gravity

### Power:

20 V AC adapter (9 V DC, 0.5A), four 1.5 Volt C batteries (not included)

### Stabilization Time:

<3 seconds

### Battery life:

V31XH202, V31XH402, V31X501:  
50 hours with alkaline cells  
V31XH2, V31X3, V31XH4, V31X6:  
120 hours with alkaline cells

### Protection Rating:

IP44 (non-washdown)

### Calibration:

Digital external calibration

### Operating Temperature

0 °C to 40 °C (32 °F to 104 °F)

### Est. Weight:

10 lb (4.8 kg)

### Warranty:

One-year limited

### Return Policy:

OHAUS standard policy - restock fee may apply

### Approvals:

NSF



Model	Capacity	Readability	Pan Size	Dimensions	Part #	List Price
V31XH202	200 g	0.01 g	4.7 in (120 mm)	8.5 × 7.3 × 3 in (218 × 186 × 72 mm)	100283	\$1,020.00
V31XH402	400 g	0.01 g	4.7 in (120 mm)	8.5 × 7.3 × 3 in (218 × 186 × 72 mm)	117790	\$1,390.00
V31X501	500 g	0.1 g	4.7 in (120 mm)	8.5 × 7.3 × 3 in (218 × 186 × 72 mm)	117789	\$750.00
V31XH2	2 kg	0.1 g	5.8 × 6.2 in (146 × 158 mm)	8.5 × 7.3 × 3 in (218 × 186 × 72 mm)	100284	\$1,020.00
V31X3	3 kg	1 g	5.8 × 6.2 in (146 × 158 mm)	8.5 × 7.3 × 3 in (218 × 186 × 72 mm)	100285	\$675.00
V31XH4	4 kg	0.1 g	5.8 × 6.2 in (146 × 158 mm)	8.5 × 7.3 × 3 in (218 × 186 × 72 mm)	117792	\$1,390.00
V31X6	6 kg	1 g	5.8 × 6.2 in (146 × 158 mm)	8.5 × 7.3 × 3 in (218 × 186 × 72 mm)	100286	\$675.00

## Options/Accessories

Part #	Model #	Description	Price
103119	80251216	Hardshell carrying case for FD and Valor	\$180.00
102756	80251147	Sandwich pan, 11 in × 5.9 in (280 × 150 mm)	\$115.00
102757	80251148	French fries holder pan	\$115.00
102758	80251149	Ice cream cone holder	\$115.00
100292	80250954	Stainless steel scoop 17.2 × 11 × 3.4 in (44 × 28 × 8.5 cm)	\$105.00
97250	80250400	Stainless steel scoop 11.9 × 7.4 × 1.7 in (30 × 18.7 × 4.3 cm)	\$98.00



# Valor® 3000 Xtreme Series Washdown

## Standard Features

- Full 304 stainless steel housing with chemical resistant keypad
- Removable stainless steel weighing pan
- USDA approved
- Supports HACCP
- NTEP 08-008 models available (model specific)

## Specifications

### Weighing Units:

Gram, Kilogram, Decimal Ounce, Fractional Ounces, Pound/Ounces (See technical manual for complete listing)

### Operating Modes:

Weighing, Percent Weighing, Combined Zero/Tare, Specific Gravity

### Power:

120 V AC adapter (9 V DC, 0.5 A), four 1.5 Volt C batteries (not included)

### Stabilization Time:

< 3 seconds

### Battery Life:

V31XW301 and V31XW3: 50 hours with alkaline cells  
V31XW6: 120 hours with alkaline cells

### Protection Rating:

IP65

### Calibration:

Digital external calibration

### Operating Temperature:

0 °C to 40 °C (32 °F to 104 °F)

### Est. Weight:

10 lb (4.8 kg)

### Warranty:

One-year limited

### Return Policy:

OHAUS standard policy - restock fee may apply

### Approvals:

NTEP: CC 08-008A1



Model	Capacity	Resolution	Pan Size	Dimensions	Part #	List Price
V31XW301	300 g	0.1 g	5.8 × 6.2 in (146 × 158 mm)	8.5 × 7.3 × 3 in (218 × 186 × 72 mm)	100287	\$790.00
<b>NTEP Certified</b>						
V31XW3	3 kg	1 g	5.8 × 6.2 in (146 × 158 mm)	8.5 × 7.3 × 3 in (218 × 186 × 72 mm)	100288	\$775.00
V31XW6	6 kg	2 g	5.8 × 6.2 in (146 × 158 mm)	8.5 × 7.3 × 3 in (218 × 186 × 72 mm)	100289	\$775.00

## Options/Accessories

Part #	Model #	Description	Price
103119	80251216	Hardshell carrying case	\$180.00
102756	80251147	Sandwich pan, 11 in × 5.9 in (280 × 150 mm)	\$115.00
102757	80251148	French fries holder pan	\$115.00
102758	80251149	Ice cream cone holder	\$115.00
100292	80250954	Stainless steel scoop 17.2 × 11 × 3.4 in (44 × 28 × 8.5 cm)	\$105.00
97250	80250400	Stainless steel scoop 11.9 × 7.4 × 1.7 in (30 × 18.7 × 4.3 cm)	\$98.00



# Valor® 2000 Series Washdown

## Standard Features

- Front and rear dual display, 0.8 in (20.5 mm)
- Removable stainless steel platform cover
- Fast 0.5 second stabilization time
- SmartText™ interface
- Knife-proof keypad

## Specifications

### Weighing Units:

Grams, Kilograms, Pounds, Ounces, Pound/Ounce

### Operating Modes:

Weigh, Checkweigh

### Power:

Universal AC adapter, 12 VDC 0.7A internal rechargeable lead acid battery

### Stabilization Time:

< 1 second

### Battery Life:

50 hours with 1 hour recharge time

### Protection Rating:

IPX8

### Safe Overload:

150% of capacity

### Calibration:

Digital external calibration

### Operating Temperature:

-10 °C to 40 °C (14 °F to 104 °F)

### Est. Weight:

8.6 lb (3.9 kg)

### Warranty:

One-year limited

### Return Policy:

OHAUS standard policy - restock fee may apply

Model	Capacity	Readability	Pan Size	Dimensions	Part #	List Price
V22XWE3T	3 kg	0.5 g	7.5 × 9.5 in (242 × 190 mm)	10.1 × 11.3 × 4.9 in (256 × 288 × 124 mm)	102771	\$710.00
V22XWE6T	6 kg	1 g	7.5 × 9.5 in (242 × 190 mm)	10.1 × 11.3 × 4.9 in (256 × 288 × 124 mm)	102772	\$710.00
V22XWE15T	15 kg	2 g	7.5 × 9.5 in (242 × 190 mm)	10.1 × 11.3 × 4.9 in (256 × 288 × 124 mm)	102773	\$710.00

## Options/Accessories

Part #	Model #	Description	Price
97250	80250400	Stainless steel scoop 11.9 × 7.4 × 1.7 in (30 × 18.7 × 4.3 cm)	\$98.00
100292	80250954	Stainless steel scoop 17.2 × 11 × 3.4 in (44 × 28 × 8.5 cm)	\$105.00





# Compass CX Series

## Standard Features

- Superior RF protection
- Reliable, stable results
- CE listed and FCC Class B Part 15 operation
- Large, removable stainless steel weighing platform
- Low-profile design
- Easy operation
- Low-battery indicator
- Automatic shutoff
- Overload protection
- Push-button calibration

## Specifications

### Weighing Units:

Grams, Pound/Ounce and Newton

### Operating Modes:

Weighing

### Power:

3 AA alkaline batteries (included) or AC adapter (not included)

### Battery Life:

1,000 hours

### Stabilization Time:

CX221, CX621: 1.5 seconds  
 CX1201: 2 seconds  
 CX2200, CX5200, CX221P, CX2200P, CX5200P: 1.5 seconds

### Operating Temperature:

18 °C to 25 °C (64 °F to 77 °F)

### Calibration Weight:

CX221: 200 g  
 CX621: 500 g  
 CX1201, CX2200: 1 kg  
 CX5200: 2 kg

### Est. Weight:

0.91 lb (0.47 kg)

### Warranty:

One-year limited

### Return Policy:

OHAUS standard policy - restock fee may apply

### Approvals:

CE Approved



Model	Capacity	Readability	Repeatability	Linearity	Pan Size	Dimensions	Part #	List Price
CX221	220 g	0.1 g	0.1 g	±0.1 g	5 × 5.6 in (127 × 142 mm)	5.3 × 7.9 × 1.6 in (135 × 201 × 41 mm)	195245	\$215.00
CX621	620 g	0.1 g	0.1 g	±0.1 g	5 × 5.6 in (127 × 142 mm)	5.3 × 7.9 × 1.6 in (135 × 201 × 41 mm)	195246	\$220.00
CX1201	1,200 g	0.1 g	0.1 g	±0.1 g	5 × 5.6 in (127 × 142 mm)	5.3 × 7.9 × 1.6 in (135 × 201 × 41 mm)	195247	\$235.00
CX2200	2,200 g	1 g	1 g	±1 g	5 × 5.6 in (127 × 142 mm)	5.3 × 7.9 × 1.6 in (135 × 201 × 41 mm)	195248	\$215.00
CX5200	5,200 g	1 g	1 g	±1 g	5 × 5.6 in (127 × 142 mm)	5.3 × 7.9 × 1.6 in (135 × 201 × 41 mm)	195249	\$250.00
CX221P	220 g	0.1 g	0.1 g	±0.1 g	5 × 5.6 in (127 × 142 mm)	5.3 × 7.9 × 1.6 in (135 × 201 × 41 mm)	195250	\$230.00
CX2200P	2,200 g	1 g	1 g	±1 g	5 × 5.6 in (127 × 142 mm)	5.3 × 7.9 × 1.6 in (135 × 201 × 41 mm)	195251	\$230.00
CX5200P	5,200 g	1 g	1 g	±1 g	5 × 5.6 in (127 × 142 mm)	5.3 × 7.9 × 1.6 in (135 × 201 × 41 mm)	195252	\$250.00

## Options/Accessories

Part #	Model #	Description	Price
195254	30467763	Carrying case	\$88.00
181878	30330714	US power adapter	\$36.00
195256	30333865	AU power adapter	\$37.00
195257	30333866	EU power adapter	\$37.00
195258	30333867	UK power adapter	\$37.00
70434	80850075	Bowl, 1,050 mL	\$74.00



BALANCES  
OHAUS

# Compass CR Series

## Standard Features

- Basic weighing with simple 2-button keypad
- Superior RF protection
- Large weighing platform
- Stackable design with integrated shipping lock
- Low battery indicator
- Auto shut-off feature
- Mechanical and software overload protection
- External push-button calibration

## Specifications

### Weighing Units:

Grams, Pound/Ounces, Pennyweight, Troy Ounces

### Operating Modes:

Weighing

### Power:

Three AA batteries (included)  
(AC adapter is optional)

### Stabilization Time:

3 seconds

### Battery Life:

300 hours

### Operating Temperature:

18 °C to 25 °C (65 °F to 77 °F)

### Calibration Weight:

CR221: 200 g  
CR621: 500 g  
CR2200: 1 kg  
CR5200: 2 kg

### Est. Weight:

0.875 lb (0.4 kg)

### Warranty:

One-year limited

### Return Policy:

OHAUS standard policy - restock fee may apply

Model	Capacity	Readability	Repeatability	Linearity	Pan Size	Dimensions	Part #	List Price
CR221	220 g	0.1 g	0.1 g	± 0.1 g	5 × 5.2 in (127 × 132 mm)	5.5 × 8.1 × 1.6 in (140 × 206 × 41 mm)	195265	\$155.00
CR621	620 g	0.1 g	0.1 g	± 0.1 g	5 × 5.2 in (127 × 132 mm)	5.5 × 8.1 × 1.6 in (140 × 206 × 41 mm)	195266	\$160.00
CR2200	2,200 g	1 g	1 g	± 1 g	5 × 5.2 in (127 × 132 mm)	5.5 × 8.1 × 1.6 in (140 × 206 × 41 mm)	195267	\$155.00
CR5200	5,200 g	1 g	1 g	± 1 g	5 × 5.2 in (127 × 132 mm)	5.5 × 8.1 × 1.6 in (140 × 206 × 41 mm)	195268	\$210.00

## Options/Accessories

Part #	Model #	Description	Price
194615	30467987	Power adapter	\$53.00
195254	30467763	Carrying case	\$88.00
70434	80850075	Bowl, 1,050 mL	\$74.00



# HH Series

## Standard Features

- Large, 0.4 in (10.16 mm), high-contrast backlit liquid crystal display (LCD)
- Low-battery indicator
- Overload and underload indicators
- Automatic shutoff
- Protective snap-on cover
- Rugged plastic construction

## Specifications

**Weighing Units:**

Grams, Ounces, Pennyweight, Troy Ounces

**Operating Modes:**

Weighing

**Stabilization Time:**

3 seconds

**Power:**

Battery operated

**Maximum Overload:**

150% of capacity

**Calibration:**

HH1200: Factory set

HH120, HH320: Calibration with keypad

**Est. Weight:**

0.34 lb (0.16 kg)

**Warranty:**

One-year limited

**Return Policy:**

OHAUS standard policy - restock fee may apply

Model	Capacity	Readability	Linearity	Pan Size	Dimensions	Part #	List Price
HH120D	60 g/120 g	0.1 g/0.2 g	±0.1 g/±0.2 g	3.25 × 3.2 in (83 × 81 mm)	5.35 × 3.25 × 0.8 in (136 × 83 × 20 mm)	52541	\$250.00
HH120	120 g	0.1 g	±0.1 g	3.25 × 3.2 in (83 × 81 mm)	5.35 × 3.25 × 0.8 in (136 × 83 × 20 mm)	64055	\$266.00
HH320	320 g	0.1 g	±0.2 g	3.25 × 3.2 in (83 × 81 mm)	5.35 × 3.25 × 0.8 in (136 × 83 × 20 mm)	52540	\$330.00



BALANCES  
OHAUS

# YA Series

## Standard Features

- Smaller size than most pocket scales allows for a comfortable fit in your pocket
- Clamshell case designs and protects scale during transport
- Bright blue backlit LCD display
- Automatic shutoff

## Specifications

**Weighing Units:**  
Grams, Ounces, Carats, Grains

**Operating Modes:**  
Weighing

**Power:**  
Two AAA batteries

**Est. Weight:**  
0.3 lb

**Calibration:**  
External

**Warranty:**  
One-year limited

**Return Policy:**  
OHAUS standard policy - restock fee may apply

Model	Capacity	Readability	Repeatability	Part #	List Price
YA102	100 g	0.01 g	0.01 g	103106	\$150.00
YA302	300 g	0.05 g	0.05 g	103107	\$130.00

## Options/Accessories

Part#	Model #	Description	Price
33454	4590-30	Black scoop, aluminum 4 x 3.5 in (10.2 x 8.9 cm), weight 24 g	\$51.00



# Valor® 1000 Series

## Standard Features

- Removable stainless steel platform cover
- Mid-profile ABS plastic housing
- Front-mounted leveling device
- Compact footprint
- Fast response time
- Easy to clean

## Specifications

### Weighing Units:

Gram, Kilogram, Ounce, Pound, Pound/Ounce

### Operating Modes:

Weigh, Accumulate, Checkweigh

### Power:

Universal AC adapter included (9 VDC 500 mA)  
Four D Cell alkaline batteries (not included)

### Stabilization Time:

= 1.5 seconds

### Scale Overload:

120% of capacity

### Decimal Ounce:

V12P3: 105 oz × 0.02 oz  
V12P6: 210 oz × 0.05 oz  
V12P15: 520 oz × 0.1 oz  
V12P30: 1,058 oz × 0.5 oz

### Decimal Pound:

V12P3: 6.6 lb × 0.001 lb  
V12P6: 13 lb × 0.002 lb  
V12P15: 33 lb × 0.01 lb  
V12P30: 66 lb × 0.02 lb

### Grams:

V12P3: 3,000 g × 0.5 g  
V12P6: 6,000 g × 1 g  
V12P15: 15,000 g × 2 g  
V12P30: 30,000 g × 5 g

### Operating Temperature:

32 °F to 104 °F (0 °C to 40 °C) at 10% to 95% relative humidity non-condensing, up to 2.5 miles/4,000 m above sea level

### Est. Weight:

8.8 lb (4.0 kg)

### Battery life:

1,500 hours (with/without backlight on)

### Warranty:

One-year limited

### Return Policy:

OHAUS standard policy - restock fee may apply

### Approvals:

NSF



Model	Capacity	Readability	Pan Size	Dimensions	Part #	List Price
V12P3	3 kg	0.5 g	7.5 × 9.8 in (190 × 250 mm)	10.1 × 11 × 4.8 in (256 × 280 × 121 mm)	205019	\$270.00
V12P6	6 kg	1 g	7.5 × 9.8 in (190 × 250 mm)	10.1 × 11 × 4.8 in (256 × 280 × 121 mm)	205020	\$270.00
V12P15	15 kg	2 g	7.5 × 9.8 in (190 × 250 mm)	10.1 × 11 × 4.8 in (256 × 280 × 121 mm)	205021	\$270.00
V12P30	30 kg	5 g	7.5 × 9.8 in (190 × 250 mm)	10.1 × 11 × 4.8 in (256 × 280 × 121 mm)	205023	\$270.00

## Options/Accessories

Part #	Model #	Description	Price
97250	80250400	Stainless steel scoop 11.9 × 7.4 × 1.7 in (30 × 18.7 × 4.3 cm)	\$98.00
100292	80250954	Stainless steel scoop 17.2 × 11 × 3.4 in (44 × 28 × 8.5 cm)	\$105.00





# Explorer® Series

## Standard Features

- Touchless IR (infrared) sensors minimize keypad use
- Program IR sensor to control operations including print, tare and other selectable functions
- Color VGA, 5.7 in display with icons for simple menu navigation
- Multiple application modes designed for versatility
- AutoCal™ calibration
- Robust IP54 die-cast metal bottom housing with stainless steel pan
- ENERGY STAR qualified adapter
- Underweigh hook

## Specifications

### Weighing Units:

Gram, Kilogram, Ounce, Pound, Carat, Pennyweight, Grain (See technical manual for complete listing)

### Operating Modes:

Weighing, Counting, Animal/Dynamic Weighing, Checkweighing, Percent Weighing, Filling, Parts Counting, Totalization, Formulation, Differential Weighing, Density Determination, Peak Hold, Ingredient Costing, SQC

### Power:

AC adapter input: 100 to 240 VAC 0.6A 50/60 Hz

### Stabilization Time:

1 second

### Calibration:

AutoCal™ at 1.5 °C temperature change, 11 hours, and external calibration

### Operating Temperature:

14 °F to 140 °F (-10 °C to 60 °C)

### Est. Weight:

25 lb (12.5 kg)

### Warranty:

Two-year limited

### Return Policy:

OHAUS standard policy - restock fee may apply

Model	Capacity	Readability	Repeatability	Linearity	Pan Size	Dimensions	Part #	List Price
Ex12001	12,000 g	0.1 g	±0.1 g	±0.2 g	14.84 × 12.24 in (377 × 311 mm)	14.84 × 4.72 × 17.44 in (377 × 120 × 443 mm)	157235	\$5,075.00
Ex24001	24,000 g	0.1 g	±0.1 g	±0.2 g	14.84 × 12.24 in (377 × 311 mm)	14.84 × 4.72 × 17.44 in (377 × 120 × 443 mm)	157236	\$6,175.00
Ex35001	35,000 g	0.1 g	±0.1 g	±0.2 g	14.84 × 12.24 in (377 × 311 mm)	14.84 × 4.72 × 17.44 in (377 × 120 × 443 mm)	157237	\$7,225.00

## Options/Accessories

Part#	Model#	Description	Price
157238	30078082	Tower mount display	\$205.00
77712	80500524	RS-232 cable, PC 25-pin to EX	\$260.00
70406	80500525	RS-232 cable, PC 9-pin to EX	\$260.00
156234	46001724	Multi-range AC adapter	\$67.00
156235	46001780	International plug set	\$29.00



# Triple Beam

## Standard Features

- Notched and tiered beams for easy reading
- Positive poise positioning for repeatability
- Magnetically damped
- Zero adjust compensator
- Optional tare beam vernier dial

## Specifications

### Tare Range:

- 710-T0: 225 g
- 760-00: 225 g

### Pan Design:

- 710-00: Stainless steel pan
- 710-T0: Stainless steel pan with tare
- 720-00: Polypropylene scoop
- 750-S0: Stainless steel plate
- 760-00: Stainless steel plate with tare
- 720-S0: Stainless steel scoop

### Calibration:

- Front beam: 10 × 0.1 g
- Middle beam: 500 × 100 g
- Rear beam: 100 × 10 g

### Est. Weight:

8 lb

### Warranty:

Five-year limited

### Return Policy:

OHAUS standard policy - restock fee may apply

Model	Capacity	Readability	Pan Size	Dimensions	Part #	List Price
710-00	610 g	0.1 g	Ø 6 in (152 mm)	18 × 12 × 9 in (457 × 305 × 229 mm)	33350	\$375.00
710-T0	610 g	0.1 g	Ø 6 in (152 mm)	18 × 12 × 9 in (457 × 305 × 229 mm)	33351	\$455.00
720-00	610 g	0.1 g	-	18 × 12 × 9 in (457 × 305 × 229 mm)	33352	\$440.00
750-S0	610 g	0.1 g	Ø 6 in (152 mm)	18 × 12 × 9 in (457 × 305 × 229 mm)	33355	\$210.00
760-00	610 g	0.1 g	Ø 6 in (152 mm)	18 × 12 × 9 in (457 × 305 × 229 mm)	33357	\$385.00
720-S0	610 g	0.1 g	-	18 × 12 × 9 in (457 × 305 × 229 mm)	33353	\$510.00
730-00	610 g	0.1 g	-	18 × 12 × 9 in (457 × 305 × 229 mm)	33354	\$550.00
TP2611	2,610 g	0.1 g	5.8 × 5.8 in (147 × 147 mm)	18 × 12 × 9 in (457 × 305 × 229 mm)	103109	\$295.00

## Options/Accessories

Part #	Model #	Description	Price
33417	80780011	Rod and clamp assembly	\$98.00
33447	80780015	Stainless steel scoop, 12 × 6 × 2.75 in (304 × 152 × 70 mm) footed and counterweighted for balance without tare	\$175.00
33463	80780017	Vinyl dust cover	\$48.00
33414	80780108	Attachment weight set, metric	\$96.00



BALANCES  
OHAUS

# Harvard Trip Balance

## Standard Features

- Highly versatile, rugged and accurate
- Two-pan design ideal for comparative weighing
- Built-in sliding masses
- Roberval principle
- Magnetic damping
- Comparative weighing

## Specifications

**Pan Design:**  
Two pan design; stainless steel plate

**Calibration:**  
Top beam: 10 × 0.1 lb  
Bottom beam: 200 × 10 g

**Warranty:**  
Five-year limited

**Return Policy:**  
OHAUS standard policy - restock fee may apply

Model	Capacity	Readability	Pan Size	Dimensions	Part #	List Price
1450-SD	2,000 g	0.1 g	6 in (152 mm)	25 × 18 × 22 in (160 × 240 × 140 mm)	33364	\$500.00
1550-SD	2,000 g	0.1 g	6 in (152 mm)	25 × 18 × 22 in (160 × 240 × 140 mm)	33367	\$535.00
1560-SD	2,000 g	0.1 g	6 in (152 mm)	25 × 18 × 22 in (160 × 240 × 140 mm)	33368	\$560.00

## Options/Accessories

Part#	Model#	Description	Price
33461	80850262	Vinyl dust cover	\$48.00
33417	80780011	Rod and clamp assembly	\$98.00



# Dial-O-Gram<sup>®</sup> and Cent-O-Gram<sup>®</sup>

## Standard Features

- 0.01 g or 0.1 g sensitivity
- Equipped for specific gravity weighing
- Four-tiered notched beams
- Easy-to-read vernier dial on model 310
- See-through poise on model 311
- High precision and remarkable value
- Three-point beam eliminates need for level adjustment
- Quick zeroing with zero adjust knob

## Specifications

### Operating Mode:

310-00: Dial  
311-00: Poise

### Platform:

Stainless steel (removable)  
3.5 × 0.5 in (89 × 13 mm)

### Est. Weight:

5 lb (2.3 kg)

### Calibration:

Front beam: 225 g tare  
Middle beam: 500 × 100 g  
Rear beam: 100 × 10 g  
Dial: 10 × 0.1 g

### Warranty:

Five-year limited

### Return Policy:

OHAUS standard policy - restock fee may apply

Model	Capacity	Readability	Pan Size	Part #	List Price
310-00	310 g	0.01 g	6 in (152 mm)	33371	\$540.00
311-00	311 g	0.01 g	6 in (152 mm)	33370	\$450.00
1650-00*	610 g	0.1 g	6 in (152 mm)	33361	\$480.00
1650-WO*	2,610 g	0.1 g	6 in (152 mm)	33362	\$555.00
1610-00*	610 g	0.1 g	6 in (152 mm)	33360	\$555.00

## Options/Accessories

Part #	Model #	Description	Price
33420	80780018	Test tube kit	\$54.00
33462	80780005	Vinyl dust cover	\$48.00
Additional OHAUS Mechanical Balance Accessories			
33414	80780108	Metric attachment mass set	\$96.00
33454	80250048	Black scoop, aluminum, 4 in × 3.5 in (102 × 89 mm)	\$51.00



BALANCES  
OHAUS

# Field Test Scale

### Standard Features

- Affordable compact industrial scale
- Large, stabilized pan can hold oversized samples without tipping
- Readings up to 500 g are taken from a single sliding-weight beam, while a set of slotted weights, stored in the base, can extend the capacity up to 36 lb

### Specifications

**Operating Modes:**  
Poise

**Platform:**  
11 in (279 mm)

**Calibration:**  
Bottom beam: 500 × 5 g  
Top beam: 1 × 0.01 lb

**Est. Weight:**  
12 lb (5.4 kg)

**Warranty:**  
Five-year limited

**Return Policy:**  
OHAUS standard policy - restock fee may apply

Model	Capacity	Readability	Pan Size	Part #	List Price
2400-11	16 kg	5 g	11 in (279 mm)	33379	\$1,990.00
2400-12	36 lb	0.01 lb	11 in (279 mm)	33380	\$2,060.00



# Heavy Duty Solution

### Standard Features

- Sets an industry standard for precision in high-capacity weighing
- Durable enough to resist corrosion
- Sensitive enough to weigh with a feather's touch
- Large stainless steel platform
- Lockable tare for containers up to 2,270 g
- Self-aligning bearings assure a long, maintenance-free life

### Specifications

**Operating Mode:**  
Poise

**Platform:**  
11 in (279 mm)

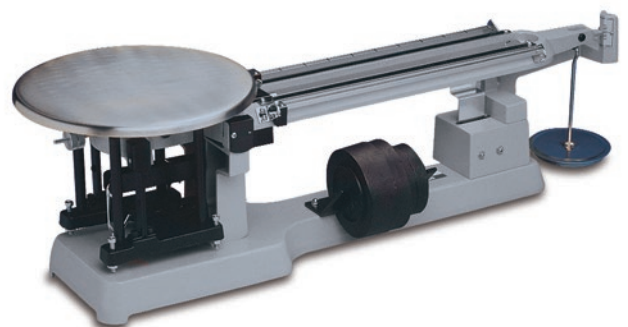
**Calibrations:**  
Front beam: 100 × 1 g  
Rear beam: 1,000 × 100 g

**Est. Weight:**  
42 lb

**Warranty:**  
Five-year limited

**Return Policy:**  
OHAUS standard policy - restock fee may apply

Model	Capacity	Readability	Pan Size	Part #	List Price
1119-DO	20 kg	1 g	11 in (279 mm)	33378	\$2,912.00





# MB Series

## Standard Features

- Fast halogen heating element provides uniform infrared heating and durability for extended use
- Superior weighing performance with readability up to 0.001 g, 0.01% moisture
- Powerful software for simple operation
- Large, backlit liquid crystal display (LCD) for easy viewing (MB23, MB27)
- Bright, easy-to-read touchscreen display (MB90, MB120)
- GLP/GMP compliant format when printed results are required
- RS-232 interface for connecting to printer or PC
- Multi-language display text (English, Spanish, French)

## Specifications

### Moisture Range:

- 110 g: 0.1% to 100%
- 90 g: 0.05% to 100%
- 90 g: 0.01% to 100%
- 120 g: 0.01% to 100% (0.01% to 100% for regain mode)

### Power:

120 VAC Adapter

### Heater Type:

- 110 g: Infrared (no glass)
- 90 to 120 g: Halogen

### Timer:

- 110 to 90 g: 1 to 99 minutes in 30 seconds to 60 minute increments
- 90 g: 1 to 120 minutes in 30 seconds to 60 minute increments, 1 minute increments from 60 to 120 minutes
- 120 g: 1 to 120 minutes in 10 second increments

### Operating Temperature:

- 110 to 90 g: 41 °F to 104 °F (5 °C to 40 °C)
- 90 to 120 g: 50 °F to 104 °F (10 °C to 40 °C)

### Temperature Settings:

- 110 to 90 g: 50 °C to 160 °C × 5 °C (increments)
- 90 g: 40 °C to 200 °C × 1 °C
- 120 g: 40 °C to 230 °C × 1 °C

### Est. Weight:

14 lb (6.3 kg)

### Warranty:

Two-year limited

### Return Policy:

OHAUS standard policy - restock fee may apply

Model	Capacity	Readability	Repeatability	Pan Size	Dimensions	Part #	List Price
83999801	110 g	0.01 g	3 g sample-0.3% 10 g sample-0.1%	3.5 in (Ø 90 mm)	7.5 × 6.0 × 14 in (191 × 152 × 356 mm)	109522	\$3,825.00
30251683	90 g	0.001 g	3 g sample-0.2% 10 g sample-0.05%	3.5 in (Ø 90 mm)	6.5 × 5 × 11 in (165 × 127 × 279 mm)	178254	\$3,825.00
30241164	90 g	0.001 g	3 g sample-0.18% 10 g sample-0.02%	3.5 in (Ø 90 mm)	8.3 × 7.7 × 14 in (211 × 196 × 356 mm)	178255	\$5,125.00
30241165	120 g	0.001 g	3 g sample-0.05% 10 g sample-0.015%	3.5 in (Ø 90 mm)	8.3 × 7.7 × 14 in (211 × 196 × 356 mm)	178256	\$6,500.00

## Options/Accessories

Part #	Model #	Description	Price
70401	11113857	Temperature calibration kit	\$785.00
70402	80850087	Pads, glass fiber, 200/box	\$140.00
70403	80850086	Sample pans, 80/box, 90 mm diameter	\$88.00
70404	80850088	Reusable sample pans, 3/box	\$270.00
70406	80500525	Cable, 9-pin serial extension	\$260.00
191875	80850043	Security device	\$310.00
67413	80850080	WinWedge® TAL Software	\$575.00



BALANCES  
OHAUS

# Cubis® II Series MCA

## Standard Features

- Large, high-end, 7 in color touchscreen TFT display in 16:9 format
- Modular design
- User configurable and custom designed to meet changing applications
- Meets advanced Pharma compliance including user/password management for security, audit trail function logs and integrated alibi memory
- RS-232 interface for connecting to printer or PC
- M/DH: Automatic glass draft shield
- F: Manual stainless steel draft shield

## Specifications

### Weighing Units:

Milligram, Gram, Kilogram, Ounce, Pound, Carat, Pennyweight, Troy Ounce, Grain, Newton Pound/Ounce, Micrograms (See technical manual for complete listing)

### Operating Modes:

Mass Unit Conversion, SQ Min Function, ISO-Cal Function, Density Determination (Buoyancy method only with MSE), Calculation, Averaging, Formulation, Percent Weighing, Totalizing, Counting, Customized Identification, Statistics, Time Control Function, Second Tare Memory, Over/Under Checkweighing

### Power:

120 V AC adapter auto ranging

### Stabilization Time:

2.7S-2S00-M/F: 7 seconds  
 6.6S-2S00-M/F, 3.6P-2S00-M: 5 seconds  
 66S-000-DH, 66P-000-DH, 36S-000-DH, 36P-000-DH: 3.5 seconds

### Calibration Weight:

2.7S-2S00-M/F: 2 g  
 6.6S-2S00-M/F: 5 g  
 3.6P-2S00-M: 3 g  
 66S-000-DH, 66P-000-DH: 50 g (E2)  
 36S-000-DH, 36P-000-DH: 20 g (E2)

### Weighing Chamber:

(W × D × H)  
 8 × 8 × 10.2 in  
 (205 × 205 × 261 mm)

### Operating Temperature:

5 °C to 40 °C (41 °F to 104 °F)

### Est. Weight:

30 lb

### Warranty:

Ten-year limited

### Return Policy:

Sartorius standard policy - restock fee may apply

Model	Capacity	Readability	Repeatability	Linearity	Pan Size	Dimensions	Part #	List Price
<b>Cubis II</b>								
MCA2.7S- 2S00-M	2.1 g	0.0001 mg	0.25 µg	0.9 µg	Ø 0.8 in (20 mm)	7.55 × 12.72 × 3.46 in (192 mm × 323 mm × 88 mm) Chamber Height: 2.75 in (70 mm)	195682	\$47,565.00
MCA2.7S- 2S00-F	2.1 g	0.0001 mg	0.25 µg	0.9 µg	Ø 1.9 in (50 mm)	7.55 × 12.72 × 3.46 in (192 mm × 323 mm × 88 mm) Chamber Height: 0.6 in (15 mm) H	195685	\$48,840.00
MCA6.6S- 2S00-M	6.1 g	0.001 mg	0.001 mg	4 µg	Ø 1.2 in (30 mm)	7.55 × 12.72 × 3.46 in (192 mm × 323 mm × 88 mm) Chamber Height: 2.75 in (70 mm)	195687	\$37,400.00
MCA6.6S- 2S00-F	6.1 g	0.001 mg	0.001 mg	4 µg	Ø 1.9 in (50 mm)	7.55 × 12.72 × 3.46 in (192 mm × 323 mm × 88 mm) Chamber Height: 0.6 in (15 mm)	195690	\$38,675.00
MCA3.6P- 2S00-M	1.1 g 2.1 g 3.1 g	0.001 mg 0.002 mg 0.005 mg	0.003 0.004 0.005 mg	4 µg	Ø 1.2 in (30 mm)	7.55 × 12.72 × 3.46 in (192 mm × 323 mm × 88 mm) Chamber Height: 2.75 in (70 mm)	195692	\$28,840.00
<b>Cubis I</b>								
MSA66S-000-DH	61 g	0.001 mg	0.0015 mg 0.004 mg	0.020 mg	1.18 in / 1.97 in (30 mm/50 mm)	7.55 × 12.72 × 3.46 in (192 mm × 323 mm × 88 mm) Chamber Height: 7.13 in (181 mm)	186390	\$37,360.00
MSA66P-000-DH	12 g 61 g	0.001 mg 0.01 mg	0.002 mg 0.010 mg	0.020 mg	1.18 in / 1.97 in (30 mm/50 mm)	7.55 × 12.72 × 3.46 in (192 mm × 323 mm × 88 mm) Chamber Height: 7.13 in (181 mm)	186391	\$43,420.00
MSA36S-000-DH	31 g	0.001 mg	0.0015 mg 0.002 mg	0.015 mg	1.18 in (30 mm)	7.55 × 12.72 × 3.46 in (192 mm × 323 mm × 88 mm) Chamber Height: 7.13 in (181 mm)	186392	\$41,040.00
MSA36P-000-DH	6 g 31 g	0.001 0.01 mg	0.0015 mg 0.008 mg	0.015 mg	1.18 in (30 mm)	7.55 × 12.72 × 3.46 in (192 mm × 323 mm × 88 mm) Chamber Height: 7.13 in (181 mm)	186394	\$35,480.00

BALANCES  
SARTORIUS

## Options/Accessories

Part #	Model #	Description	Price
Consult	IP	Additional RS-232, 9-pin connection with PS/2 port (factory installed)	Consult
156906	6971987	Power supply, 100 to 240 V	\$260.00
156908	6900900	Cord, power 220 V EU	\$50.00



# Cubis® II Series MCE

## Standard Features

- State-of-the-art, TFT touchscreen operation
- Fast stabilization time
- Modular design
- User configurable and custom designed to meet changing applications
- Meets advanced Pharma compliance including user/password management for security, audit trail function logs and integrated alibi memory
- RS-232 and USB communication
- Underweigh hook

## Specifications

### Weighing Units:

Milligram, Gram, Kilogram, Ounce, Pound, Carat, Pennyweight, Troy Ounce, Grain, Newton Pound/Ounce, Micrograms (See technical manual for complete listing)

### Operating Modes:

Mass Unit Conversion, SQ Min Function, ISO-Cal Function, Density Determination (Buoyancy method only with MSE), Calculation, Averaging, Formulation, Percent Weighing, Totalizing, Counting, Customized Identification, Statistics, Time Control Function, Second Tare Memory, Over/Under Checkweighing

### Power:

120 V AC adapter auto ranging

### Stabilization Time:

2.7S-2S00-M/F: 7 seconds  
6.6S-2S00-M/F, 3.6P-2S00-M: 5 seconds

### Calibration Weight:

2.7S-2S00-M/F: 2 g  
6.6S-2S00-M/F: 5 g  
3.6P-2S00-M: 3 g

### Operating Temperature:

5 °C to 40 °C (41 °F to 104 °F)

### Est. Weight:

30 lb

### Warranty:

Ten-year limited

### Return Policy:

Sartorius standard policy - restock fee may apply

Model	Capacity	Readability	Repeatability	Linearity	Pan Size	Dimensions	Part #	List Price
MCE2.7S- 2S00-M	2.1 g	0.0001 mg	0.25 µg	0.9 µg	Ø 0.8 in (20 mm)	7.55 × 12.72 × 3.46 in (192 mm × 323 mm × 88 mm) Chamber Height: 2.75 in (70 mm)	195680	\$46,570.00
MCE2.7S- 2S00-F	2.1 g	0.0001 mg	0.25 µg	0.9 µg	Ø 1.9 in (50 mm)	7.55 × 12.72 × 3.46 in (192 mm × 323 mm × 88 mm) Chamber Height: 0.6 in (15 mm)	195683	\$47,850.00
MCE6.6S- 2S00-M	6.1 g	0.001 mg	0.001 mg	4 µg	Ø 1.2 in (30 mm)	7.55 × 12.72 × 3.46 in (192 mm × 323 mm × 88 mm) Chamber Height: 2.75 in (70 mm)	195686	\$36,410.00
MCE6.6S- 2S00-F	6.1 g	0.001 mg	0.001 mg	4 µg	Ø 1.9 in (50 mm)	7.55 × 12.72 × 3.46 in (192 mm × 323 mm × 88 mm) Chamber Height: 0.6 in (15 mm)	195689	\$37,685.00
MCE3.6P- 2S00-M	1.1 g 2.1 g 3.1 g	0.001 mg 0.002 mg 0.005 mg	0.003 mg 0.004 mg 0.005 mg	4 µg	Ø 1.2 in (30 mm)	7.55 × 12.72 × 3.46 in (192 mm × 323 mm × 88 mm) Chamber Height: 2.75 in (70 mm)	195693	\$27,845.00

## Options/Accessories

Part #	Model #	Description	Price
Consult	IP	Additional RS-232, 9-pin connection with PS/2 port (factory installed)	Consult
156906	6971987	Power supply, 100 to 240 V	\$260.00
156908	6900900	Cord, power 220 V EU	\$50.00



# Cubis® II MCA Series

## Standard Features

- Large, high-end, 7 in color touchscreen TFT display in 16:9 format
- Modular design
- User configurable and custom designed to meet changing applications
- Meets advanced Pharma compliance including user/password management for security, audit trail function logs and integrated alibi memory
- RS-232 and USB communication
- Easy cleaning by removing glass doors
- Manual glass draft shield
- Underweigh hook

## Specifications

### Weighing Units:

Milligram, Gram, Kilogram, Ounce, Pound, Carat, Pennyweight, Troy Ounce, Grain, Newton Pound/Ounce, Micrograms (See technical manual for complete listing)

### Operating Modes:

Mass Unit Conversion, SQ Min Function, ISO-Cal Function, Density Determination (Buoyancy method only with MSE), Calculation, Averaging, Formulation, Percent Weighing, Totalizing, Counting, Customized Identification, Statistics, Time Control Function, Second Tare Memory, Over/Under Checkweighing

### Power:

120 V AC adapter auto ranging

### Stabilization Time:

2 seconds

### Calibration Weight:

225S, 225P: 200 g  
125P: 100 g

### Operating Temperature:

5 °C to 40 °C (41 °F to 104 °F)

### Est. Weight:

30 lb

### Warranty:

Ten-year limited

### Return Policy:

Sartorius standard policy - restock fee may apply

Model	Capacity	Readability	Repeatability	Linearity	Pan Size	Weighing Chamber	Dimensions	Part #	List Price
MCA225S	220 g	0.01 mg	0.025 mg	0.1 mg	3.3 × 3.3 in (85 × 85 mm)	8 × 8 × 10.2 in (205 × 205 × 261 mm)	16 × 9.8 × 14.6 in (410 × 249 × 370 mm)	195698	\$16,300.00
MCA225P	60 g 120 g 220 g	0.01 mg 0.02 mg 0.05 mg	0.015 mg 0.04 mg	0.15 mg	3.3 × 3.3 in (85 × 85 mm)	8 × 8 × 10.2 in (205 × 205 × 261 mm)	16 × 9.8 × 14.6 in (410 × 249 × 370 mm)	195802	\$14,190.00
MCA125P	60 g 120 g	0.01 mg 0.1 mg	0.015 mg 0.06 mg	0.15 mg	3.3 × 3.3 in (85 × 85 mm)	8 × 8 × 10.2 in (205 × 205 × 261 mm)	16 × 9.8 × 14.6 in (410 × 249 × 370 mm)	195803	\$10,240.00

## Options/Accessories

Part #	Model #	Description	Price
Consult	DA	Automatic motorized draft shield for analytical balances (factory installed)	Consult
Consult	DI	Automatic motorized draft shield for analytical balances, with integrated ionizer (factory installed)	Consult
Consult	TR	Certificate of compliance and full factory test report (factory installed)	Consult
Consult	IR	Additional RS-232, 25-pin connection (factory installed)	Consult
156906	6971987	Power supply, 100 to 240 V	\$260.00
156908	6900900	Cord, power 220V EU	\$50.00
Consult	IP	Additional RS-232, 9-pin connection with PS/2 port	Consult



# Cubis® II MCE Series

## Standard Features

- State-of-the-art, TFT touchscreen operation
- Modular design
- User configurable and custom designed to meet changing applications
- Meets advanced Pharma compliance including user/password management for security, audit trail function logs and integrated alibi memory
- RS-232 and USB communication
- Easy cleaning by removing glass doors
- Manual glass draft shield
- Underweigh hook

## Specifications

### Weighing Units:

Milligram, Gram, Kilogram, Ounce, Pound, Carat, Pennyweight, Troy Ounce, Grain, Newton Pound/Ounce, Micrograms (See technical manual for complete listing)

### Operating Modes:

Mass Unit Conversion, SQ Min Function, ISO-Cal Function, Density Determination (Buoyancy method only with MSE), Calculation, Averaging, Formulation, Percent Weighing, Totalizing, Counting, Customized Identification, Statistics, Time Control Function, Second Tare Memory, Over/Under Checkweighing

### Power:

120 V AC adapter auto ranging

### Calibration Weight:

225S, 225P: 200 g  
125P: 100 g

### Stabilization Time:

225S, 225P, 125P: 2 seconds

### Operating Temperature:

5 °C to 40 °C (41 °F to 104 °F)

### Est. Weight:

30 lb

### Warranty:

Ten-year limited

### Return Policy:

Sartorius standard policy - restock fee may apply

Model	Capacity	Readability	Repeatability	Linearity	Pan Size	Weighing Chamber	Dimensions	Part #	List Price
MCE225S	220 g	0.01 mg	0.025 mg	0.1 mg	3.3 × 3.3 in (85 × 85 mm)	8 × 8 × 10.2 in (205 × 205 × 261 mm)	16 × 9.8 × 14.6 in 410 × 249 × 370 mm)	195694	\$16,625.00
MCE225P	60 g	0.01 mg	0.015 mg	0.15 mg	3.3 × 3.3 in (85 × 85 mm)	8 × 8 × 10.2 in (205 × 205 × 261 mm)	16 × 9.8 × 14.6 in 410 × 249 × 370 mm)	195797	\$14,350.00
	120 g	0.02 mg	0.04 mg						
MCE125P	60 g	0.01 mg	0.015 mg	0.15 mg	3.3 × 3.3 in (85 × 85 mm)	8 × 8 × 10.2 in (205 × 205 × 261 mm)	16 × 9.8 × 14.6 in 410 × 249 × 370 mm)	195798	\$10,075.00
	120 g	0.1 mg	0.06 mg						

## Options/Accessories

Part #	Model #	Description	Price
Consult	DA	Automatic motorized draft shield for analytical balances (factory installed)	Consult
Consult	DI	Automatic motorized draft shield for analytical balances, with integrated ionizer (factory installed)	Consult
Consult	TR	Certificate of compliance and full factory test report (factory installed)	Consult
Consult	IR	Additional RS-232, 25-pin connection (factory installed)	Consult
156906	6971987	Power supply, 100-240 V	\$260.00
156908	6900900	Cord, power 220 V EU	\$50.00
Consult	IP	Additional RS-232, 9-pin connection with PS2 port	Consult





# Quintix/Secura Series

## Standard Features

- Color capacitive touch with swipe technology
- Simple touch technology
- Monolithic and strain gauge technology
- Aluminum die-cast base, ABS housing
- Integrated level-control
- Mini-USB
- Weigh below hook
- GLP conformance with built-in time and date
- Time and date

## SECURA OPTIONS

- Internal calibration
- Opto-electronic leveling system
- Sqmin safety program
- Analytical draft support ring

## Specifications

### Operating Modes:

Mass Unit Conversion, Counting,  
Percent Weighing, Averaging

### Units of Measure:

Gram, Kilogram, Carat, Pound, Ounce, Troy Ounce,  
Hong Kong Tael, Singapore Tael, Taiwan Tael,  
Grain, Pennyweights, Milligram, Parts per Pound,  
China Teal, Mommies, Austrian Carat, Tola, Baht,  
Mesghal and Newton

### Display Type:

LCD

### Power:

12 to 15 VDC, 4.5 W  
AC adapter, 115 to 240V

### Frequency:

50/60 Hz

### Minimum Weight per USP:

Secura 125-1S, Secura 225D-1: 25 mg  
Secura 324-1S: 160 mg

### External Calibration Weight:

Quintix 65-1S: 50 g  
Quintix 125D-1S: 100 g  
Secura 125-1S: 100 g  
Secura 225D-1S: 200 g

### Stabilization Time (typical):

Quintix 65-1S: 6 seconds  
Quintix 125D-1S: 6/2 seconds  
Secura 125-1S: 6 seconds  
Secura 225D-1S: 6/2 seconds  
Secura 324-1S: 2 seconds

### Operating Humidity:

Less than 95% RH

### Operating Temperature:

5 °C to 45 °C (41 °F to 113 °F)

### Est. Weight:

18 lb (7.8 kg)

### Warranty:

Two-year manufacturer

### Return Policy:

Sartorius standard policy - restock fee may apply

Model	Capacity	Readability	Repeatability	Linearity	Weighing Chamber	Pan Size	Dimensions	Part #	List Price
<b>Quintix</b>									
QUINTIX165-1S	60 g	0.01 mg	0.04 mg	0.1 mg	8.5 in (218 mm)	3.5 in (80 mm)	14.8 × 8.4 × 12.4 in (376 × 214 × 316 mm)	170634	\$7,325.00
QUINTIX125D-1S	60 g 120 g	0.01 mg 0.1 mg	0.04 mg 0.07 mg	0.1 mg 0.2 mg	8.5 in (218 mm)	3.5 in (80 mm)	14.8 × 8.4 × 12.4 in (376 × 214 × 316 mm)	170635	\$7,650.00
<b>Secura</b>									
SECURA125-1S	60 g 120 g	0.01 mg 0.1 mg	0.001 g	0.1 mg	8.5 in (218 mm)	3.15 in (80 mm)	14.8 × 8.4 × 12.4 in (376 × 214 × 316 mm)	170636	\$8,425.00
SECURA225D-1S	120 g 220 g	0.01 mg 0.1 mg	0.001 g	0.1/0.2 mg	8.5 in (218 mm)	3.15 in (80 mm)	14.8 × 8.4 × 12.4 in (376 × 214 × 316 mm)	170380	\$8,825.00

## Options/Accessories

Part #	Model #	Description	Price
155847	YCC03-D09	Adapter cable, USB to RS-232	\$76.00



# Practum/Quintix/Secura Series

## Standard Features

- Simple, color capacitive touch with swipe technology
- Monolithic and strain gauge technology
- Aluminum die-cast base, ABS housing
- Front level bubble
- Mini-USB
- Weigh below hook

## QUINTIX AND SECURA OPTIONS

- isoCAL/fully automatic, external calibration
- GLP conformance with built-in time and date

## SECURA OPTIONS

- Internal calibration
- Opto-electronic leveling system
- Sqmin safety program
- Analytical draft support ring
- Legal For Trade models available

## Specifications

### Operating Modes:

Mass unit conversion, Counting,  
Percent Weighing, Averaging

### Units:

Gram, Kilogram, Carat, Pound, Ounce, Troy Ounce,  
Hong Kong Tael, Singapore Tael, Taiwan Tael,  
Grain, Pennyweights, Milligram, Parts per Pound,  
China Teal, Mommies, Austrian Carat, Tola, Baht,  
Mesghal and Newton

### Display Type:

LCD

### Power Requirements:

10 to 20 V, AC adapter, 115 V to 240 V

### Frequency:

50 to 60 Hz

### Calibration Weight:

124-1S: 100 g  
224-1S, 213-1S, 313-1S: 200 g  
513-1S: 500 g  
324-1S: 300 g

### Stabilization Time (typical):

3 seconds

### Operating Humidity:

Less than 95% RH

### Operating Temperature:

10 °C to 30 °C (50 °F to 86 °F)

### Est. Weight:

11 lb (4.5 kg)

### Warranty:

Two-year manufacturer

### Return Policy:

Sartorius standard policy - restock fee may apply

Model	Capacity	Readability	Repeatability	Linearity	Weighing Chamber	Pan Size	Dimensions	Part #	List Price
<b>Practum</b>									
PRACTUM124-1S	120 g	0.1 mg	±0.1 mg	±0.3 mg	7.9 in (209 mm)	3.5 in (90 mm)	14.1 × 8.5 × 12.6 in (360 × 216 × 320 mm)	153983	\$3,630.00
PRACTUM224-1S	220 g	0.1 mg	±0.1 mg	±0.3 mg	7.9 in (209 mm)	3.5 in (90 mm)	14.1 × 8.5 × 12.6 in (360 × 216 × 320 mm)	153984	\$3,980.00
<b>Quintix</b>									
QUINTIX124-1S	120 g	0.1 mg	±0.1 mg	0.2 mg	7.9 in (209 mm)	3.5 in (90 mm)	14.1 × 8.5 × 12.6 in (360 × 216 × 320 mm)	153992	\$4,525.00
QUINTIX224-1S	220 g	0.1 mg	±0.1 mg	0.2 mg	7.9 in (209 mm)	3.5 in (90 mm)	14.1 × 8.5 × 12.6 in (360 × 216 × 320 mm)	153993	\$5,100.00
<b>Secura</b>									
SECURA124-1S	120 g	0.1 mg	±0.1 mg	0.2 mg	7.9 in (209 mm)	3.5 in (90 mm)	14.1 × 8.5 × 12.6 in (360 × 216 × 320 mm)	154005	\$4,825.00
SECURA224-1S	220 g	0.1 mg	±0.1 mg	0.2 mg	7.9 in (209 mm)	3.5 in (90 mm)	14.1 × 8.5 × 12.6 in (360 × 216 × 320 mm)	154006	\$5,325.00
SECURA324-1S	320 g	0.1 mg	0.001 g	0.3 mg	8.5 in (218 mm)	3.5 in (90 mm)	14.8 × 8.4 × 12.4 in (376 × 214 × 316 mm)	170637	\$6,275.00

## Options/Accessories

Part #	Model #	Description	Price
191429	6971790	AC adapter, 110-240 V, six power plugs	\$67.00
155847	YCC03-D09	Adapter cable, USB to RS-232	\$76.00



# Cubis® II MCA Series

## Standard Features

- 7 in color touchscreen TFT display in 16:9 format
- Modular design
- User-configurable and custom designed to meet changing applications
- Meets advanced Pharma compliance including user/password management for security, audit trail function logs and integrated alibi memory
- RS-232 and USB communication
- Easy cleaning by removing glass doors
- Manual glass draft shield
- Underweigh hook

## Specifications

### Weighing Units:

Milligram, Gram, Kilogram, Ounce, Pound, Carat, Pennyweight, Troy Ounce, Grain, Newton Pound/Ounce, Micrograms.  
(See technical manual for complete listing)

### Operating Modes:

Mass Unit Conversion, SQ Min Function, ISO-Cal Function, Density Determination (Buoyancy method only with MSE), Calculation, Averaging, Formulation, Percent Weighing, Totalizing, Counting, Customized Identification, Statistics, Time Control Function, Second Tare Memory, Over/Under Checkweighing

### Power:

120 V AC adapter auto ranging

### Stabilization Time:

1 second

### Calibration Weight:

124S: 100 g  
224S: 200 g  
324S / P: 300 g  
524S / P: 500 g

### Operating Temperature:

5 °C to 40 °C (41 °F to 104 °F)

### Est. Weight:

30 lb

### Warranty:

Ten-year limited

### Return Policy:

Sartorius standard policy - restock fee may apply

Model	Capacity	Readability	Repeatability	Linearity	Weighing Chamber	Pan Size	Dimensions	Part #	List Price
<b>MCA with TFT Color Touchscreen</b>									
<b>MCA324P</b>	80 g	0.1 mg	0.1 mg	0.5 mg	8 × 8 × 10.2 in (205 × 205 × 261 mm)	3.3 × 3.3 in (85 × 85 mm)	16 × 9.8 × 14.6 in (410 × 249 × 370 mm)	<b>195805</b>	\$10,425.00
	160 g	0.2 mg	0.2 mg						
	320 g	0.5 mg	0.4 mg						
<b>MCA524P</b>	120 g	0.1 mg	0.1 mg	0.5 mg	8 × 8 × 10.2 in (205 × 205 × 261 mm)	3.3 × 3.3 in (85 × 85 mm)	16 × 9.8 × 14.6 in (410 × 249 × 370 mm)	<b>195804</b>	\$10,725.00
	240 g	0.2 mg	0.2 mg						
	520 g	0.5 mg	0.5 mg						
<b>MCA124S</b>	120 g	0.1 mg	0.1 mg	0.2 mg	8 × 8 × 10.2 in (205 × 205 × 261 mm)	3.3 × 3.3 in (85 × 85 mm)	16 × 9.8 × 14.6 in (410 × 249 × 370 mm)	<b>195702</b>	\$8,825.00
<b>MCA224S</b>	220 g	0.1 mg	0.07 mg	0.2 mg	8 × 8 × 10.2 in (205 × 205 × 261 mm)	3.3 × 3.3 in (85 × 85 mm)	16 × 9.8 × 14.6 in (410 × 249 × 370 mm)	<b>195701</b>	\$10,175.00
<b>MCA324S</b>	320 g	0.1 mg	0.1 mg	0.3 mg	8 × 8 × 10.2 in (205 × 205 × 261 mm)	3.3 × 3.3 in (85 × 85 mm)	16 × 9.8 × 14.6 in (410 × 249 × 370 mm)	<b>195700</b>	\$11,600.00
<b>MCA524S</b>	520 g	0.1 mg	0.1 mg	0.4 mg	8 × 8 × 10.2 in (205 × 205 × 261 mm)	3.3 × 3.3 in (85 × 85 mm)	16 × 9.8 × 14.6 in (410 × 249 × 370 mm)	<b>195699</b>	\$13,275.00

## Options/Accessories

Part #	Model #	Description	Price
Consult	DA	Automatic motorized draft shield for analytical balances (factory installed)	Consult
Consult	DI	Automatic motorized draft shield for analytical balances, with integrated ionizer (factory installed)	Consult
Consult	TR	Certificate of compliance and full factory test report (factory installed)	Consult
Consult	IR	Additional RS-232, 25-pin connection (factory installed)	Consult
<b>156906</b>	6971987	Power supply, 100 to 240 V	<b>\$260.00</b>
<b>156908</b>	6900900	Cord, power 220 V EU	<b>\$50.00</b>
Consult	IP	Additional RS-232, 9-pin connection with PS/2 port	Consult



# Cubis® II MCE Series

## Standard Features

- State-of-the-art TFT touchscreen operation
- Modular design
- User-configurable and custom designed to meet changing applications
- Meets advanced Pharma compliance including user/password management for security, audit trail function logs and integrated alibi memory
- RS-232 and USB communication
- Easy cleaning by removing glass doors
- Manual glass draft shield
- Underweigh hook

## Specifications

### Weighing Units:

Milligram, Gram, Kilogram, Ounce, Pound, Carat, Pennyweight, Troy Ounce, Grain, Newton Pound/ Ounce, Micrograms.  
(See technical manual for complete listing)

### Operating Modes:

Mass Unit Conversion, SQ Min Function, ISO-Cal Function, Density Determination (Buoyancy method only with MSE), Calculation, Averaging, Formulation, Percent Weighing, Totalizing, Counting, Customized Identification, Statistics, Time Control Function, Second Tare Memory, Over/Under Checkweighing

### Power:

120 V AC adapter auto ranging

### Stabilization Time:

1 second

### Calibration Weight:

124S: 100 g  
224S: 200 g  
324S/P: 300 g  
524S/P: 500 g

### Operating Temperature:

5 °C to 40 °C (41 °F to 104 °F)

### Est. Weight:

30 lb

### Warranty:

Ten-year Limited

### Return Policy:

Sartorius standard policy - restock fee may apply

Model	Capacity	Readability	Repeatability	Linearity	Weighing Chamber	Pan Size	Dimensions	Part #	List Price
<b>MCE with TFT Touchscreen</b>									
<b>MCE324P</b>	80 g	0.1 mg	0.1 mg	0.5 mg	8 × 8 × 10.2 in (205 × 205 × 261 mm)	3.3 × 3.3 in (85 × 85 mm)	16 × 9.8 × 14.6 in (410 × 249 × 370 mm)	<b>195801</b>	\$9,425.00
	160 g	0.2 mg	0.2 mg						
	320 g	0.5 mg	0.4 mg						
<b>MCE524P</b>	120 g	0.1 mg	0.1 mg	0.5 mg	8 × 8 × 10.2 in (205 × 205 × 261 mm)	3.3 × 3.3 in (85 × 85 mm)	16 × 9.8 × 14.6 in (410 × 249 × 370 mm)	<b>195800</b>	\$9,725.00
	240 g	0.2 mg	0.2 mg						
	520 g	0.5 mg	0.5 mg						
<b>MCE124S</b>	120 g	0.1 mg	0.1 mg	0.2 mg	8 × 8 × 10.2 in (205 × 205 × 261 mm)	3.3 × 3.3 in (85 × 85 mm)	16 × 9.8 × 14.6 in (410 × 249 × 370 mm)	<b>195697</b>	\$7,825.00
<b>MCE224S</b>	220 g	0.1 mg	0.07 mg	0.2 mg	8 × 8 × 10.2 in (205 × 205 × 261 mm)	3.3 × 3.3 in (85 × 85 mm)	16 × 9.8 × 14.6 in (410 × 249 × 370 mm)	<b>195696</b>	\$9,175.00
<b>MCE324S</b>	320 g	0.1 mg	0.1 mg	0.3 mg	8 × 8 × 10.2 in (205 × 205 × 261 mm)	3.3 × 3.3 in (85 × 85 mm)	16 × 9.8 × 14.6 in (410 × 249 × 370 mm)	<b>195695</b>	\$10,600.00
<b>MCE524S</b>	520 g	0.1 mg	0.1 mg	0.4 mg	8 × 8 × 10.2 in (205 × 205 × 261 mm)	3.3 × 3.3 in (85 × 85 mm)	16 × 9.8 × 14.6 in (410 × 249 × 370 mm)	<b>195799</b>	\$12,275.00

## Options/Accessories

Part#	Model #	Description	Price
Consult	DA	Automatic motorized draft shield for analytical balances (factory installed)	Consult
Consult	DI	Automatic motorized draft shield for analytical balances, with integrated ionizer (factory installed)	Consult
Consult	TR	Certificate of compliance and full factory test report (factory installed)	Consult
Consult	IR	Additional RS-232, 25-pin connection (factory installed)	Consult
<b>156906</b>	6971987	Power supply, 100 to 240 V	<b>\$260.00</b>
<b>156908</b>	6900900	Cord, power 220 V EU	<b>\$50.00</b>
Consult	IP	Additional RS-232, 9-pin connection with PS/2 port	Consult



# Entris® II Series Basic Essential

## Standard Features

- Backlit LED touchscreen
- User-friendly operation
- Basic applications
- Monolithic weighing systems
- Aluminum die-cast base, ABS housing
- Front level bubble
- RS-232 standard
- Below balance weighing

## Specifications

### Weighing Units:

Gram, Kilogram, Ounce, Pound, Carat, Pennyweight, Troy Ounce, Grain, Newton (See technical manual for complete listing)

### Operating Modes:

Weighing, Density, Percentage, Counting, Mass Unit Conversion

### Power:

AC adapter, 115 to 240V, US plug

### Stabilization Time:

2.5 seconds

### Operating Humidity:

15% to 80% for temperatures up to 31 °C

### Calibration Weight:

BCE64I-1S: 50 g  
 BCE124I-1S: 100 g  
 BCE224I-1S: 200 g

### Operating Temperature:

5 °C to 40 °C (41 °F to 104 °F)

### Est. Weight:

13.7 lb

### Warranty:

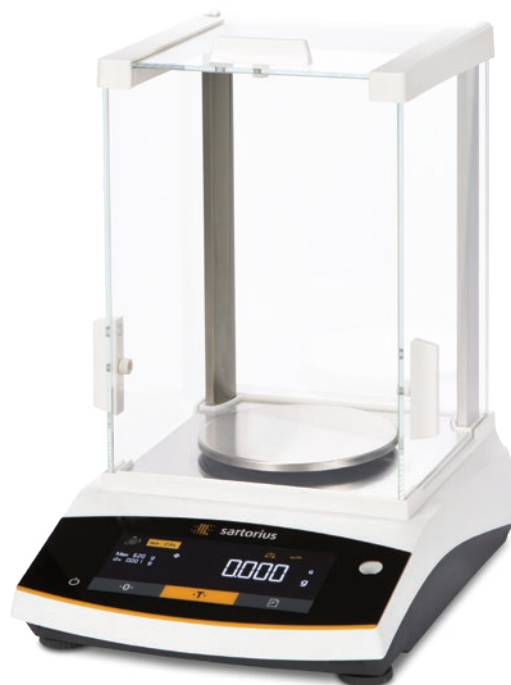
Two-year limited

Model	Capacity	Readability	Repeatability	Linearity	Pan Size	Dimensions	Part #	List Price
BCE64I-1S	60 g	0.1 mg	±0.1 mg	±0.2 mg	3.5 in (90 mm)	9.1 × 11.9 × 13 in (230 × 303 × 330 mm)	197392	\$2,800.00
BCE124I-1S	120 g	0.1 mg	±0.1 mg	±0.2 mg	3.5 in (90 mm)	9.1 × 11.9 × 13 in (230 × 303 × 330 mm)	197393	\$3,175.00
BCE224I-1S	220 g	0.1 mg	±0.1 mg	±0.2 mg	3.5 in (90 mm)	9.1 × 11.9 × 13 in (230 × 303 × 330 mm)	197394	\$3,575.00

## Options/Accessories

Part #	Model #	Description	Price
112261	YDP20-OCE	Data printer (printer requires power supply part number 191429)	\$1,580.00
31103	6906937	Paper rolls, one roll	\$76.00
31106	6906918	Ink ribbon cassette	\$100.00
201911	YCC-D09MF	Data Cable RS-232, DB-9M to DB-9F (For YDP20 Printer)	\$85.00
204042	YEPS01-PS8	Replacement AC adapter with interchangeable plugs (included with Entris II)	\$61.00
191429	YEPS01-PS4	AC adapter with interchangeable plugs (for use with YDP20-OCE printer)	\$67.00

BALANCES  
SARTORIUS





# Entris® II Series Basic Advanced

## Standard Features

- Graphic touchscreen
- User-friendly operation
- Basic applications
- Monolithic weighing systems
- Aluminum die-cast base, ABS housing
- Front level bubble
- RS-232 standard
- Below balance weighing

## Specifications

### Weighing Modes:

Gram, Kilogram, Carat, Pound, Ounce, Troy Ounce, Hong Kong Tael, Singapore Tael, Taiwan Tael, Grain, Pennyweights, Milligram, Parts Per Pound, China Teal, Mommies, Austrian Carat, Tola, Baht, Mesghal, Tons, Pounds/Ounces, Newton

### Operating Modes:

Weighing, Density, Percentage, Counting, Mass Unit Conversion, Mixing, Statistics, Components, Animal Weighing, Checkweighing, Peak Hold and Pipette Test

### Power:

AC adapter, 115 to 240V, US plug

### Stabilization Time:

BCA64I-1S, BCA124I-1S: 2.5 seconds  
BCA224I-1S: 1.3 seconds  
BCA324I-1S: 1.0 seconds

### Calibration Weight:

BCA64I-1S: 50 g  
BCA124I-1S: 100 g  
BCA224I-1S, BCA324I-1S: 200 g

### Operating Temperature:

41 °F to 104 °F (5 °C to 40 °C)

### Operating Humidity:

15% to 80% for temperatures up to 31 °C

### Est. Weight:

13.7 lb (6.2 kg)

### Warranty:

Two-year limited

Model	Capacity	Readability	Repeatability	Linearity	Pan Size	Dimensions	Part #	List Price
BCA64I-1S	60 g	0.1 mg	±0.1 mg	±0.2 mg	3.5 in (90 mm)	20.67 × 19.49 × 15.75 in (525 × 495 × 400 mm)	202468	\$3,900.00
BCA124I-1S	120 g	0.1 mg	±0.1 mg	±0.2 mg	3.5 in (90 mm)	20.67 × 19.49 × 15.75 in (525 × 495 × 400 mm)	202469	\$4,250.00
BCA224I-1S	220 g	0.1 mg	±1 mg	±2 mg	4.7 in (120 mm)	20.67 × 19.49 × 15.75 in (525 × 495 × 400 mm)	202471	\$4,700.00
BCA324I-1S	320 g	0.1 mg	±1 mg	±2 mg	4.7 in (120 mm)	20.67 × 19.49 × 15.75 in (525 × 495 × 400 mm)	202473	\$5,175.00

## Options/Accessories

Part #	Model #	Description	Price
112261	YDP20-OCE	Data printer (printer requires power supply part number 191429)	\$1,580.00
31103	6906937	Paper rolls, one roll	\$76.00
31106	6906918	Ink ribbon cassette	\$100.00
201911	YCC-D09MF	Data cable RS-232, DB-9M to DB-9F (For YDP20 Printer)	\$85.00
204042	YEPS01-PS8	Replacement AC adapter with interchangeable plugs (included with Entris II)	\$61.00
191429	YEPS01-PS4	AC adapter with interchangeable plugs (for use with YDP20-OCE printer)	\$67.00



BALANCES  
SARTORIUS

# Entris® II Series Basic Essential

## Standard Features

- Backlit LED touchscreen
- User-friendly operation
- Basic applications
- Monolithic weighing systems
- Aluminum die-cast base, ABS housing
- Front level bubble
- RS-232 connectivity
- Weigh below hook
- NTEP Certified

## Specifications

### Weighing Units:

Gram, Kilogram, Carat, Pound, Ounce, Troy Ounce, Hong Kong Tael, Singapore Tael, Taiwan Tael, Grain, Pennyweights, Milligram, Parts per Pound, China Tael, Mommies, Austrian Carat, Tola, Baht, Mesghal, Tons, Pounds, Ounces, Newton

### Applications:

Weighing, Density, Percentage, Counting, Mass Unit Conversion

### Display Type:

Backlit LCD, 15 mm digits

### Operating Humidity:

15% to 80% for temperatures up to 31 °C

### Operating Temperature:

41 °F to 104 °F (5 °C to 40 °C)

### External Calibration Weight:

BCE124-1NUS: 100 g  
 BCE224-1NUS, BCE324-1NUS: 200 g  
 BCE623-1NUS, BCE653-1NUS, BCE622-1NUS, BCE1202-1NUS: 500 g  
 BCE3202-1NUS, BCE4202-1NUS, BCE5201-1NUS, BCE6202-1NUS: 5,000 g

### Stabilization Time (Typical):

2.5 seconds

### Est. Weight:

13.7 lb (6.2 kg)

### Pan Type:

Stainless steel

### AC Power Requirements:

AC adapter, 115 to 240 V, US plug

### Warranty:

Two-year limited

### Approval:

NTEP 22-017



BALANCES  
SARTORIUS

Model	Capacity	Readability	NTEP Repeatability	Pan Size	Dimensions	Part #	List Price
BCE124-1NUS	120 g	0.1 mg	1 mg	3.5 in (90 mm)	20.67 × 19.49 × 15.75 in (525 × 495 × 400 mm)	208212	\$2,950.00
BCE224-1NUS	220 g	0.1 mg	1 mg	3.5 in (90 mm)	20.67 × 19.49 × 15.75 in (525 × 495 × 400 mm)	208213	\$3,325.00
BCE323-1NUS	320 g	1 mg	10 mg	4.7 in (120 mm)	20.67 × 19.49 × 15.75 in (525 × 495 × 400 mm)	208214	\$1,730.00
BCE623-1NUS	620 g	1 mg	10 mg	4.7 in (120 mm)	20.67 × 19.49 × 15.75 in (525 × 495 × 400 mm)	208215	\$2,550.00
BCE653-1NUS	650 g	1 mg	10 mg	4.7 in (120 mm)	20.67 × 19.49 × 15.75 in (525 × 495 × 400 mm)	208216	\$2,800.00
BCE622-1NUS	620 g	10 mg	0.1 g	4.7 in (120 mm)	20.67 × 19.49 × 15.75 in (525 × 495 × 400 mm)	208217	\$1,330.00
BCE1202-1NUS	1,200 g	10 mg	0.1 g	4.7 in (120 mm)	20.67 × 19.49 × 15.75 in (525 × 495 × 400 mm)	208218	\$1,600.00
BCE3202-1NUS	3,200 g	10 mg	0.1 g	4.7 in (120 mm)	20.67 × 19.49 × 15.75 in (525 × 495 × 400 mm)	208219	\$1,860.00
BCE4202-1NUS	4,200 g	10 mg	0.1 g	4.7 in (120 mm)	20.67 × 19.49 × 15.75 in (525 × 495 × 400 mm)	208220	\$2,130.00
BCE5201-1NUS	5,200 g	0.1 g	0.1 g	4.7 in (120 mm)	20.67 × 19.49 × 15.75 in (525 × 495 × 400 mm)	208222	\$1,600.00
BCE6202-1NUS	6,200 g	10 mg	0.1 g	4.7 in (120 mm)	20.67 × 19.49 × 15.75 in (525 × 495 × 400 mm)	208221	\$2,800.00
BCE8201-1NUS	8,200 g	0.1 g	1 g	4.7 in (120 mm)	20.67 × 19.49 × 15.75 in (525 × 495 × 400 mm)	213481	\$1,860.00

## Options/Accessories

Part #	Model #	Description	Price
112261	YDP20-OCE	Data printer (printer requires power supply part number 191429)	\$1,580.00
31103	6906937	Paper rolls, one roll	\$76.00
31106	6906918	Ink ribbon cassette	\$100.00
201911	YCC-D09MF	Data cable RS-232, DB-9M to DB-9F (For YDP20 Printer)	\$85.00
204042	YEPS01-PS8	Replacement AC adapter with interchangeable plugs (included with Entris II)	\$61.00
191429	YEPS01-PS4	AC adapter with interchangeable plugs (for use with YDP20-OCE printer)	\$67.00



# Secura Series

## Standard Features

- Simple, color capacitive touch with swipe technology
- Monolithic and strain gauge technology
- Aluminum die-cast base, ABS housing
- Front level bubble
- Mini-USB
- Weigh below hook

## OPTIONS

- isoCAL/fully automatic, external calibration
- Internal calibration
- Opto-electronic leveling system
- GLP conformance with built-in time and date
- Sqmin safety program
- Analytical draft support ring

## Specifications

### Weighing Units:

Mass Unit Conversion, Counting, Percent Weighing, Averaging

### Operating Modes:

Gram, Kilogram, Carat, Pound, Ounce, Troy Ounce, Hong Kong Tael, Singapore Tael, Taiwan Tael, Grain, Pennyweights, Milligram, Parts per Pound, China Teal, Mommies, Austrian Carat, Tola, Baht, Mesghal and Newton

### Display Type:

LCD

### AC Power Requirements:

AC adapter, 115 to 240V

### Frequency:

50/60 Hz

### Stabilization Time (typical):

3 seconds

### Operating Humidity:

Less than 95% RH

### External Calibration Weight:

224-1NUS, 313-1NUS: 200 g  
613-1NUS: 500 g  
1102-1NUS, 1103-1NUS: 1,000 g  
3102-1NUS: 3000 g  
6101-1NUS, 6102-1NUS: 6000 g

### Operating Temperature:

50 °F to 86 °F (10 °C to 30 °C)

### Est Weight:

9 lb (4.5 kg)

### Warranty:

Two-year limited

### Approvals:

NTEP 21-013



Model	Capacity	Readability	Repeatability	Linearity	Pan Size	Dimensions	Part #	List Price
SECURA224-1NUS	220 g	0.1 g	0.5 mg	1 mg	4.73 in (120 mm)	14.1 × 8.5 × 12.6 in (360 × 216 × 320 mm)	207602	\$5,325.00
SECURA313-1NUS	310 g	0.001 g	0.5 mg	2 mg	4.73 in (120 mm)	14.1 × 8.5 × 12.6 in (360 × 216 × 320 mm)	207603	\$3,200.00
SECURA613-1NUS	610 g	0.001 g	0.5 mg	2 mg	4.73 in (120 mm)	14.1 × 8.5 × 12.6 in (360 × 216 × 320 mm)	207604	\$4,275.00
SECURA1102-1NUS	1,100 g	0.01 g	5 mg	0.02 g	7.01 in (180 mm)	14.1 × 8.5 × 12.6 in (360 × 216 × 320 mm)	207605	\$2,800.00
SECURA1103-1NUS	1,100 g	0.001 g	0.5 mg	2 mg	4.73 in (120 mm)	14.1 × 8.5 × 12.6 in (360 × 216 × 320 mm)	207606	\$6,225.00
SECURA3102-1NUS	3,100 g	0.01 g	5 mg	0.02 g	7.01 in (180 mm)	14.1 × 8.5 × 12.6 in (360 × 216 × 320 mm)	207607	\$3,625.00
SECURA6101-1NUS	6,100 g	0.1 g	50 mg	0.1 g	7.01 in (180 mm)	14.1 × 8.5 × 12.6 in (360 × 216 × 320 mm)	207608	\$3,100.00
SECURA6102-1NUS	6,100 g	0.01 g	5 mg	0.02 g	7.01 in (180 mm)	14.1 × 8.5 × 12.6 in (360 × 216 × 320 mm)	207609	\$4,400.00

## Options/Accessories

Part#	Model#	Description	Price
191429	6971790	AC adapter, 110 to 240 V, six power plugs	\$67.00
155847	YCC03-D09	Adapter cable, USB to RS-232	\$76.00



BALANCES  
SARTORIUS

# Cubis® II Series MCA

## Standard Features

- Large, high-end, 7-inch color touchscreen TFT display in 16:9 format
- Modular design
- User configurable and custom designed to meet changing applications
- Meets advanced Pharma compliance including user/password management for security, audit trail function logs and integrated alibi memory
- RS-232 and USB communication
- Easy cleaning by removing glass doors
- Manual glass draft shield
- Underweigh hook

## Specifications

### Weighing Units:

Milligram, Gram, Kilogram, Ounce, Pound, Carat, Pennyweight, Troy Ounce, Grain, Newton Pound/Ounce, Micrograms  
(See technical manual for complete listing)

### Operating Modes:

Mass Unit Conversion, SQ Min Function, ISO-Cal Function, Density Determination (Buoyancy method only with MSE), Calculation, Averaging, Formulation, Percent Weighing, Totalizing, Counting, Customized Identification, Statistics, Time Control Function, Second Tare Memory, Over/Under Checkweighing

### Power:

120 V AC adapter auto ranging

### Stabilization Time:

3203S, 2203S, 2203P, 1203S, 5203S, 5203P:  
1 second  
623S, 623P, 323S: 0.8 seconds

### Calibration Weight:

3203S, 2203S: 2,000 g  
2203P, 1203S: 1,000 g  
5203S, 5203P: 500 g  
623S, 623P: 500 g  
323S: 200 g

### Operating Temperature:

5 °C to 40 °C (41 °F to 104 °F)

### Est. Weight:

17 lb

### Warranty:

Ten-year limited

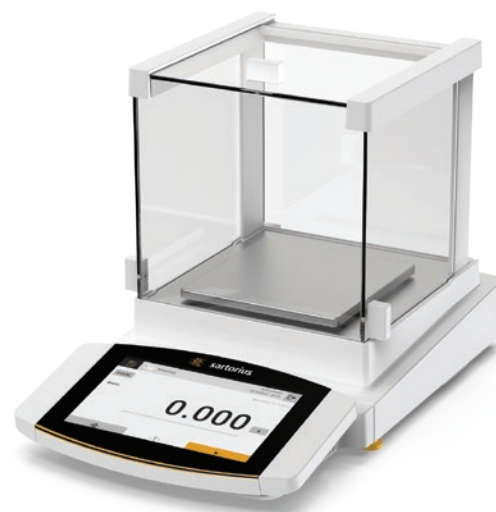
### Return Policy:

Sartorius standard policy - restock fee may apply

Model	Capacity	Readability	Repeatability	Linearity	Pan Size	Dimensions	Part #	List Price
MCA623P	150 g 300 g 620 g	1 mg 2 mg 5 mg	1 mg 2 mg 4 mg	5 mg	5.5 × 5.5 in (140 × 140 mm)	16 × 9.8 × 11 in (410 × 249 × 281 mm)	195811	\$7,725.00
MCA323S	320 g	1 mg	0.7 mg	2 mg	5.5 × 5.5 in (140 × 140 mm)	16 × 9.8 × 11 in (410 × 249 × 281 mm)	195716	\$7,575.00
MCA623S	620 g	1 mg	0.7 mg	2 mg	5.5 × 5.5 in (140 × 140 mm)	16 × 9.8 × 11 in (410 × 249 × 281 mm)	195715	\$8,650.00
MCA1203S	1,200 g	1 mg	0.7 mg	2 mg	5.5 × 5.5 in (140 × 140 mm)	16 × 9.8 × 11 in (410 × 249 × 281 mm)	195713	\$10,725.00
MCA2203P	1,010 g 2,200 g	1 mg 10 mg	1 mg 6 mg	5 mg	5.5 × 5.5 in (140 × 140 mm)	16 × 9.8 × 11 in (410 × 249 × 281 mm)	195809	\$11,725.00
MCA2203S	2,200 g	1 mg	1 mg	3 mg	5.5 × 5.5 in (140 × 140 mm)	16 × 9.8 × 11 in (410 × 249 × 281 mm)	195712	\$12,075.00
MCA3203S	3,200 g	1 mg	1/6 mg	5 mg	5.5 × 5.5 in (140 × 140 mm)	16 × 9.8 × 11 in (410 × 249 × 281 mm)	195711	\$11,200.00
MCA5203S	5,200 g	1 mg	1 mg	5 mg	5.5 × 5.5 in (140 × 140 mm)	16 × 9.8 × 11 in (410 × 249 × 281 mm)	195714	\$14,200.00
MCA5203P	5,200 g 2,400 g 1,200 g	5 mg 2 mg 1 mg	1 mg	5 mg	5.5 × 5.5 in (140 × 140 mm)	16 × 9.8 × 11 in (410 × 249 × 281 mm)	195810	\$13,600.00

## Options/Accessories

Part #	Model #	Description	Price
Consult	TR	Certificate of compliance and full factory test report (factory installed)	Consult
Consult	IR	Additional RS-232, 25-pin connection (factory installed)	Consult
156906	6971987	Power supply, 100 to 240 V	\$260.00
156908	6900900	Cord, power 220 V EU	\$50.00
Consult	IP	Additional RS-232, 9-pin connection with PS/2 port (factory installed)	Consult
Consult	DA, DR, DI or DU	Other draft shields available	Consult



BALANCES  
SARTORIUS

# Cubis® II Series MCE

## Standard Features

- State-of-the-art, TFT touchscreen operation
- Modular design
- User configurable and custom designed to meet changing applications
- Meets advanced Pharma compliance including user/password management for security, audit trail function logs and integrated alibi memory
- RS-232 and USB communication
- Easy cleaning by removing glass doors
- Manual glass draft shield
- Underweigh hook

## Specifications

### Weighing Units:

Milligram, Gram, Kilogram, Ounce, Pound, Carat, Pennyweight, Troy Ounce, Grain, Newton Pound/Ounce, Micrograms (See technical manual for complete listing)

### Operating Modes:

Mass Unit Conversion, SQ Min Function, ISO-Cal Function, Density Determination (Buoyancy method only with MSE), Calculation, Averaging, Formulation, Percent Weighing, Totalizing, Counting, Customized Identification, Statistics, Time Control Function, Second Tare Memory, Over/Under Checkweighing

### Power:

120 V AC adapter (auto ranging)

### Stabilization Time:

3203S, 2203S, 2203P, 1203S, 5203S, 5203P: 1 second  
623S, 623P, 323S: 0.8 seconds

### Calibration Weight:

3203S, 2203S: 2,000 g  
2203P, 1203S: 1,000 g  
5203S, 5203P: 500 g  
623S, 623P: 500 g  
323S: 200 g

### Operating Temperature:

5 °C to 40 °C (41 °F to 104 °F)

### Est. Weight:

17 lb

### Warranty:

Ten-year limited

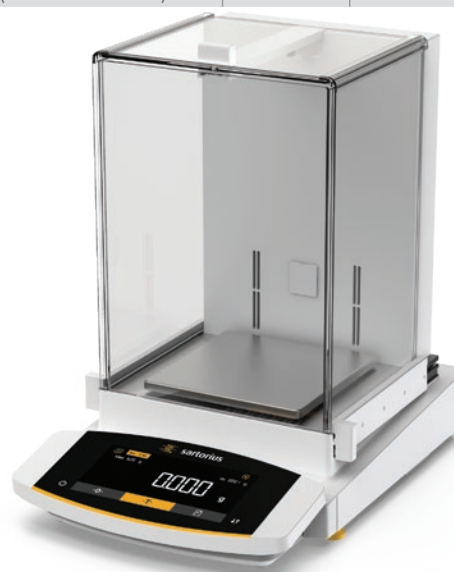
### Return Policy:

Sartorius standard policy - restock fee may apply

Model	Capacity	Readability	Repeatability	Linearity	Pan Size	Dimensions	Part #	List Price
MCE323S	320 g	1 mg	0.7 mg	2 mg	5.5 × 5.5 in (140 × 140 mm)	16 × 9.8 × 11 in (410 × 249 × 281 mm)	195709	\$6,600.00
MCE623P	150 g 300 g 620 g	1 mg 2 mg 5 mg	1/2/4 mg	5 mg	5.5 × 5.5 in (140 × 140 mm)	16 × 9.8 × 11 in (410 × 249 × 281 mm)	195808	\$6,750.00
MCE623S	620 g	1 mg	0.7 mg	2 mg	5.5 × 5.5 in (140 × 140 mm)	16 × 9.8 × 11 in (410 × 249 × 281 mm)	195707	\$7,650.00
MCE5203P	5,200 g 2,400 g 1,200 g	5 mg 2 mg 1 mg	1 mg	5 mg	5.5 × 5.5 in (140 × 140 mm)	16 × 9.8 × 11 in (410 × 249 × 281 mm)	195807	\$12,600.00
MCE5203S	5,200 g	1 mg	1 mg	5 mg	5.5 × 5.5 in (140 × 140 mm)	16 × 9.8 × 11 in (410 × 249 × 281 mm)	195706	\$13,200.00
MCE1203S	1,200 g	1 mg	0.7 mg	2 mg	5.5 × 5.5 in (140 × 140 mm)	16 × 9.8 × 11 in (410 × 249 × 281 mm)	195705	\$9,750.00
MCE2203P	1,010 g 2,200 g	1 mg 10 mg	1 mg 6 mg	5 mg	5.5 × 5.5 in (140 × 140 mm)	16 × 9.8 × 11 in (410 × 249 × 281 mm)	195806	\$10,725.00
MCE2203S	2,200 g	1 mg	1 mg	3 mg	5.5 × 5.5 in (140 × 140 mm)	16 × 9.8 × 11 in (410 × 249 × 281 mm)	195704	\$11,100.00
MCE3203S	3,200 g	1 mg	1 mg 6 mg	5 mg	5.5 × 5.5 in (140 × 140 mm)	16 × 9.8 × 11 in (410 × 249 × 281 mm)	195703	\$11,200.00

## Options/Accessories

Part #	Model #	Description	Price
Consult	TR	Certificate of compliance and full factory test report (factory installed)	Consult
Consult	IR	Additional RS-232, 25-pin connection (factory installed)	Consult
156906	6971987	Power supply, 100-240 V	\$260.00
156908	6900900	Cord, power 220 V EU	\$50.00
Consult	IP	Additional RS-232, 9-pin connection with PS/2 port (factory installed)	Consult
Consult	DA, DR, DI or DU	Other draft shields available	Consult



BALANCES  
SARTORIUS



# Entris® II Series Basic Essential

## Standard Features

- Backlit LED touchscreen
- User-friendly operation
- Basic applications
- Monolithic weighing systems
- Aluminum die-cast base, ABS housing
- Front level bubble
- RS-232 standard
- Weigh below hook

## Specifications

### Weighing Units:

Gram, Kilogram, Ounce, Pound, Carat, Pennyweight, Troy Ounce, Grain, Newton (See technical manual for complete listing)

### Operating Modes:

Weighing, Density, Percentage, Counting, Mass Unit Conversion

### Power:

AC adapter, 115 to 240V, US plug

### Stabilization Time:

BCE223I-1S: 1.3 seconds  
 BCE323I-1S: 1.1 seconds  
 BCE423I-1S, BCE623I-1S, BCE622I-1S: 1.0 seconds  
 BCE653I-1S: 1.5 seconds

### Operating Humidity:

15% to 80% for temperatures up to 31° C

### Calibration Weight:

BCE223I-1S, BCE323I-1S, BCE423I-1S: 200 g  
 BCE623I-1S, BCE653I-1S: 500 g

### Operating Temperature:

5 °C to 40 °C (41 °F to 104 °F)

### Est. Weight:

13.7 lb (6.2 kg)

### Warranty:

Two-year limited

Model	Capacity	Readability	Repeatability	Linearity	Pan Size	Dimensions	Part #	List Price
BCE223I-1S	220 g	0.001 g	±1 mg	±2 mg	4.7 in (120 mm)	9.1 × 11.9 × 5.4 in (230 × 303 × 136 mm)	197395	\$1,780.00
BCE323I-1S	320 g	0.001 g	±1 mg	±2 mg	4.7 in (120 mm)	9.1 × 11.9 × 5.4 in (230 × 303 × 136 mm)	197396	\$2,040.00
BCE423I-1S	420 g	0.001 g	±1 mg	±2 mg	4.7 in (120 mm)	9.1 × 11.9 × 5.4 in (230 × 303 × 136 mm)	197397	\$2,550.00
BCE623I-1S	620 g	0.001 g	±1 mg	±2 mg	4.7 in (120 mm)	9.1 × 11.9 × 5.4 in (230 × 303 × 136 mm)	197398	\$2,800.00
BCE653I-1S	650 g	0.001 g	±1 mg	±2 mg	4.7 in (120 mm)	9.1 × 11.9 × 3.4 in (230 × 303 × 87 mm)	197400	\$3,050.00

## Options/Accessories

Part #	Model #	Description	Price
112261	YDP20-OCE	Data printer (printer requires power supply part number 191429)	\$1,580.00
31103	6906937	Paper rolls, one roll	\$76.00
31106	6906918	Ink ribbon cassette	\$100.00
201911	YCC-D09MF	Data cable RS-232, DB-9M to DB-9F (For YDP20 Printer)	\$85.00
204042	YEPS01-PS8	Replacement AC adapter with interchangeable plugs (included with Entris II)	\$61.00
191429	YEPS01-PS4	AC adapter with interchangeable plugs (for use with YDP20-OCE printer)	\$67.00

BALANCES  
SARTORIUS



# Entris® II Series Basic Advanced

## Standard Features

- User-friendly operation
- Basic applications
- Monolithic weighing systems
- Aluminum die-cast base, ABS housing
- Front level bubble
- RS-232 standard
- Below balance weighing

## Specifications

### Weighing Units:

Gram, Kilogram, Ounce, Pound, Carat, Pennyweight, Troy Ounce, Grain, Newton (See technical manual for complete listing)

### Operating Modes:

Weighing, Density, Percentage, Counting, Mass Unit Conversion, Mixing, Statistics, Components, Animal Weighing, Checkweighing, Peak Hold and Pipette Test

### Power:

AC adapter, 115 to 240V, US plug

### Stabilization Time:

BCA223I-1S: 2.5 seconds  
 BCA323I-1S: 1.1 seconds  
 BCA423I-1S, BCA623I-1S: 1.0 seconds  
 BCA1203I-1S: 1.5 seconds

### Operating Humidity:

15% to 80% for temperatures up to 31 °C

### Calibration Weight:

BCA223I-1S, BCA323I-1S: 200 g  
 BCA423I-1S, BCA623I-1S, BCA1203I-1S: 500 g

### Operating Temperature:

5 °C to 40 °C (41 °F to 104 °F)

### Est. Weight:

BCA223I-1S, BCA323I-1S, BCA423I-1S: 13.7 lb (6.2 kg)  
 BCA623I-1S: 13.9 lb (6.3 kg)  
 BCA1203I-1S: 12 lb (5.4 kg)

### Warranty:

Two-year limited

Model	Capacity	Readability	Repeatability	Linearity	Pan Size	Dimensions	Part #	List Price
BCA223I-1S	220 g	1 mg	±0.1 mg	±0.2 mg	3.5 in (90 mm)	20.67 × 19.49 × 15.75 in (525 × 495 × 400 mm)	202470	\$2,480.00
BCA323I-1S	320 g	1 mg	±1 mg	±2 mg	4.7 in (120 mm)	20.67 × 19.49 × 15.75 in (525 × 495 × 400 mm)	202472	\$2,700.00
BCA423I-1S	420 g	1 mg	±1 mg	±2 mg	4.7 in (120 mm)	20.67 × 19.49 × 15.75 in (525 × 495 × 400 mm)	202474	\$2,950.00
BCA623I-1S	620 g	1 mg	±1 mg	±2 mg	4.7 in (120 mm)	20.67 × 19.49 × 15.75 in (525 × 495 × 400 mm)	202475	\$3,525.00
BCA1203I-1S	1,200 g	1 mg	±1 mg	±2 mg	4.7 in (120 mm)	20.67 × 19.49 × 15.75 in (525 × 495 × 400 mm)	202478	\$4,700.00

## Options/Accessories

Part #	Model #	Description	Price
112261	YDP20-OCE	Data printer (printer requires power supply part number 191429)	\$1,580.00
31103	6906937	Paper rolls, one roll	\$76.00
31106	6906918	Ink ribbon cassette	\$100.00
201911	YCC-D09MF	Data Cable RS-232, DB-9M to DB-9F (For YDP20 Printer)	\$85.00
204042	YEPS01-PS8	Replacement AC adapter with interchangeable plugs (included with Entris II)	\$61.00
191429	YEPS01-PS4	AC adapter with interchangeable plugs (for use with YDP20-OCE printer)	\$67.00



BALANCES  
SARTORIUS

# Practum/Quintix/Secura Series

## Standard Features

- Simple, color capacitive touch with swipe technology
- Monolithic and strain gauge technology
- Aluminum die-cast base, ABS housing
- Front level bubble
- Mini-USB
- Weigh below hook

## QUINTIX AND SECURA OPTIONS

- isoCAL/fully automatic, external calibration
- GLP conformance with built-in time and date

## SECURA OPTIONS

- Internal calibration
- Opto-electronic leveling system
- Sqmin safety program
- RS-232 interface cable

## Specifications

### Operating Modes:

Mass Unit Conversion, Counting, Percent Weighing, Averaging

### Weighing Units:

Gram, Kilogram, Carat, Pound, Ounce, Troy Ounce, Hong Kong Tael, Singapore Tael, Taiwan Tael, Grain, Pennyweights, Milligram, Parts per Pound, China Teal, Mommies, Austrian Carat, Tola, Baht, Mesghal and Newton

### Power Requirements:

AC adapter, 115 to 240VAC

### Frequency:

50 to 60 Hz

### Display Type:

LCD

### External Calibration Weight:

PRACTUM/QUINTIX/SECURA213-1S: 200 g  
 PRACTUM/QUINTIX/SECURA313-1S: 200 g  
 QUINTIX/SECURA513-1S: 500 g

### Operating Temperature:

10 °C to 30 °C (50 °F to 86 °F)

### Stabilization Time (typical):

3 seconds

### Operating Humidity:

Less than 95% RH

### Est. Weight:

4.5 kg (11 lb)

Model	Capacity	Readability	Repeatability	Linearity	Weighing Chamber	Pan Size	Dimensions	Part #	List Price
<b>Practum</b>									
PRACTUM213-1S	210 g	0.001 g	0.001 g	3 mg	7.9 in (209 mm)	4.75 in (120 mm)	14.1 × 8.5 × 12.6 in (360 × 216 × 320 mm)	153985	\$2,070.00
PRACTUM313-1S	310 g	0.001 g	0.001 g	3 mg	7.9 in (209 mm)	4.75 in (120 mm)	14.1 × 8.5 × 12.6 in (360 × 216 × 320 mm)	153986	\$2,220.00
<b>Quintix</b>									
QUINTIX213-1S	210 g	0.001 g	0.001 g	2 mg	7.9 in (209 mm)	4.75 in (120 mm)	14.1 × 8.5 × 12.6 in (360 × 216 × 320 mm)	153994	\$2,675.00
QUINTIX313-1S	310 g	0.001 g	0.001 g	2 mg	7.9 in (209 mm)	4.75 in (120 mm)	14.1 × 8.5 × 12.6 in (360 × 216 × 320 mm)	153995	\$2,875.00
QUINTIX513-1S	510 g	0.001 g	0.001 g	2 mg	7.9 in (209 mm)	4.75 in (120 mm)	14.1 × 8.5 × 12.6 in (360 × 216 × 320 mm)	153996	\$3,875.00
<b>Secura</b>									
SECURA213-1S	210 g	0.001 g	0.001 g	2 mg	7.9 in (209 mm)	4.75 in (120 mm)	14.1 × 8.5 × 12.6 in (360 × 216 × 320 mm)	154007	\$2,950.00
SECURA313-1S	310 g	0.001 g	0.001 g	2 mg	7.9 in (209 mm)	4.75 in (120 mm)	14.1 × 8.5 × 12.6 in (360 × 216 × 320 mm)	154008	\$3,200.00
SECURA513-1S	510 g	0.001 g	0.001 g	2 mg	7.9 in (209 mm)	4.75 in (120 mm)	14.1 × 8.5 × 12.6 in (360 × 216 × 320 mm)	154009	\$4,025.00

## Options/Accessories

Part #	Model #	Description	Price
191429	6971790	AC adapter, 110-240 V, six power plugs	\$67.00
155847	YCC03-D09	Adapter cable, USB to RS-232	\$76.00



BALANCES  
SARTORIUS

# Practum/Quintix/Secura Series

## Standard Features

- Simple, color capacitive touch with swipe technology
- Monolithic and strain gauge technology
- Aluminum die-cast base, ABS housing
- Front level bubble
- Mini-USB
- Weigh below hook

## QUINTIX AND SECURA OPTIONS

- isoCAL/fully automatic, external calibration
- GLP conformance with built-in time and date

## SECURA OPTIONS

- Internal calibration
- Opto-electronic leveling system
- Sqmin safety program
- RS-232 interface cable

## Specifications

### Operating Modes:

Mass Unit Conversion, Counting, Percent Weighing, Averaging

### Weighing Units:

Gram, Kilogram, Carat, Pound, Ounce, Troy Ounce, Hong Kong Tael, Singapore Tael, Taiwan Tael, Grain, Pennyweights, Milligram, Parts per Pound, China Teal, Mommies, Austrian Carat, Tola, Baht, Mesghal and Newton

### Display Type:

LCD

### AC Power Requirements:

AC adapter, 115 to 240V

### Frequency:

50 to 60 Hz

### External Calibration Weight:

612-1S: 500 g  
1102-1S: 1,000 g  
2102-1S: 2,000 g  
5101-1S, 5100-1S: 5,000 g

### Stabilization Time (typical):

3 seconds

### Operating Humidity:

Less than 95% RH

### Operating Temperature:

10 °C to 30 °C (50 °F to 86 °F)

### Est Weight:

9 lb (4.5 kg)

### Warranty:

Two-year limited

Model	Capacity	Readability	Repeatability	Linearity	Pan Size	Dimensions	Part #	List Price
<b>Practum</b>								
PRACTUM612-1S	610 g	0.01 g	±10 mg	±30 mg	7 in (180 mm)	14.1 × 8.5 × 12.6 in (360 × 216 × 320 mm)	153987	\$1,630.00
PRACTUM1102-1S	1,100 g	0.01 g	±10 mg	±30 mg	7 in (180 mm)	14.1 × 8.5 × 12.6 in (360 × 216 × 320 mm)	153988	\$1,790.00
PRACTUM2102-1S	2,100 g	0.01 g	±10 mg	±30 mg	7 in (180 mm)	14.1 × 8.5 × 12.6 in (360 × 216 × 320 mm)	153989	\$1,870.00
PRACTUM5101-1S	5,100 g	0.1 g	0.1 g	±0.3 g	7 in (180 mm)	14.1 × 8.5 × 12.6 in (360 × 216 × 320 mm)	153991	\$1,910.00
PRACTUM5100-1S	5,100 g	1.0 g	1.0 g	±3.0 g	7 in (180 mm)	14.1 × 8.5 × 12.6 in (360 × 216 × 320 mm)	153990	\$1,480.00
<b>Quintix</b>								
QUINTIX612-1S	610 g	0.01 g	±10 mg	±20 mg	7 in (180 mm)	14.1 × 8.5 × 12.6 in (360 × 216 × 320 mm)	153998	\$2,250.00
QUINTIX1102-1S	1,100 g	0.01 g	±10 mg	±20 mg	7 in (180 mm)	14.1 × 8.5 × 12.6 in (360 × 216 × 320 mm)	153999	\$2,550.00
QUINTIX2102-1S	2,100 g	0.01 g	±10 mg	±20 mg	7 in (180 mm)	14.1 × 8.5 × 12.6 in (360 × 216 × 320 mm)	154000	\$2,875.00
QUINTIX3102-1S	3,100 g	0.01 g	±10 mg	±20 mg	7 in (180 mm)	14.1 × 8.5 × 12.6 in (360 × 216 × 320 mm)	154001	\$3,175.00
QUINTIX5102-1S	5,100 g	0.01 g	±10 mg	±20 mg	7 in (180 mm)	14.1 × 8.5 × 12.6 in (360 × 216 × 320 mm)	154003	\$3,925.00
QUINTIX5101-1S	5,100 g	0.1 g	0.1 g	±0.2 g	7 in (180 mm)	14.1 × 8.5 × 12.6 in (360 × 216 × 320 mm)	154004	\$2,250.00
QUINTIX5100-1S	5,100 g	1.0 g	1.0 g	±0.2 g	7 in (180 mm)	14.1 × 8.5 × 12.6 in (360 × 216 × 320 mm)	154002	\$1,810.00
<b>Secura</b>								
SECURA1102-1S	1,100 g	0.01 g	±10 mg	±20 mg	7 in (180 mm)	8.58 × 14.17 × 3.70 in (218 × 360 × 94 mm)	154010	\$2,800.00
SECURA2102-1S	2,100 g	0.01 g	±10 mg	±20 mg	7 in (180 mm)	8.58 × 14.17 × 3.70 in (218 × 360 × 94 mm)	154011	\$3,700.00
SECURA3102-1S	3,100 g	0.01 g	±10 mg	±20 mg	7 in (180 mm)	8.58 × 14.17 × 3.70 in (218 × 360 × 94 mm)	154012	\$3,625.00
SECURA5102-1S	5,100 g	0.01 g	±10 mg	±20 mg	7 in (180 mm)	8.58 × 14.17 × 3.70 in (218 × 360 × 94 mm)	154013	\$4,150.00

## Options/Accessories

Part #	Model #	Description	Price
191429	6971790	AC adapter, 110 to 240 V, six power plugs	\$67.00
155847	YCC03-D09	Adapter cable, USB to RS-232	\$76.00



BALANCES  
SARTORIUS

# Cubis® II Series MCA

## Standard Features

- Large, high-end, 7 in color touchscreen TFT display in 16:9 format
- Fast stabilization time
- Modular design
- User-configurable and custom designed to meet changing applications
- Meets advanced Pharma compliance including user/password management for security, audit trail function logs and integrated alibi memory
- RS-232 and USB communication
- Choice of display
- Underweigh hook

## Specifications

### Weighing Units:

Milligram, Gram, Kilogram, Ounce, Pound, Carat, Pennyweight, Troy Ounce, Grain, Newton Pound/Ounce, Micrograms  
(See technical manual for complete listing)

### Operating Modes:

Mass Unit Conversion, SQ Min Function, ISO-Cal Function, Density Determination (Buoyancy method only with MSE), Calculation, Averaging, Formulation, Percent Weighing, Totalizing, Counting, Customized Identification, Statistics, Time Control Function, Second Tare Memory

### Power:

120 V AC adapter (auto ranging)

### Stabilization Time:

1202S, 2202S, 4202S, 5201S, 8201S, 12201S:  
0.8 seconds  
6202P, 6202S, 8202S, 10202S, 5202S, 14202S, 14202P:  
1 second

### Calibration Weight:

1202S: 1 kg  
2202S, 4202S: 2 kg  
6202S, 8202S, 5201S, 8201S: 5 kg  
5202S: 5,000 g  
10202S, 12201S, 14202S, 14202P: 10 kg

### Operating Temperature:

5 °C to 40 °C (41 °F to 104 °F)

### Est. Weight:

21 lb

### Warranty:

Ten-year limited

### Return Policy:

Sartorius standard policy - restock fee may apply

Model	Capacity	Readability	Repeatability	Linearity	Pan Size	Dimensions	Part #	List Price
MCA1202S	1,200 g	10 mg	7 mg	20 mg	8.1 × 8.1 in (206 × 206 mm)	16 × 9.8 × 3.5 in (410 × 249 × 88 mm)	195733	\$6,025.00
MCA2202S	2,200 g	10 mg	7 mg	20 mg	8.1 × 8.1 in (206 × 206 mm)	16 × 9.8 × 3.5 in (410 × 249 × 88 mm)	195732	\$6,575.00
MCA4202S	4,200 g	10 mg	7 mg	20 mg	8.1 × 8.1 in (206 × 206 mm)	16 × 9.8 × 3.5 in (410 × 249 × 88 mm)	195731	\$7,100.00
MCA5201S	5,200 g	100 mg	50 mg	100 mg	8.1 × 8.1 in (206 × 206 mm)	16 × 9.8 × 3.5 in (410 × 249 × 88 mm)	195736	\$5,175.00
MCA5202s	5,200 g	0.01 g	0.006 g	0.01 g	8.1 × 8.1 in (206 × 206 mm)	16 × 9.8 × 3.5 in (410 × 249 × 88 mm)	195820	\$8,725.00
MCA6202P	1,500 g 3,000 g 6,200 g	10 mg 20 mg 50 mg	7 mg 20 mg 40 mg	20 mg	8.1 × 8.1 in (206 × 206 mm)	16 × 9.8 × 3.5 in (410 × 249 × 88 mm)	195818	\$7,325.00
MCA6202S	6,200 g	10 mg	7 mg	20 mg	8.1 × 8.1 in (206 × 206 mm)	16 × 9.8 × 3.5 in (410 × 249 × 88 mm)	195730	\$8,025.00
MCA8201S	8,200 g	100 mg	50 mg	100 mg	8.1 × 8.1 in (206 × 206 mm)	16 × 9.8 × 3.5 in (410 × 249 × 88 mm)	195735	\$6,650.00
MCA8202S	8,200 g	10 mg	7 mg	20 mg	8.1 × 8.1 in (206 × 206 mm)	16 × 9.8 × 3.5 in (410 × 249 × 88 mm)	195729	\$8,950.00
MCA10202S	10,200 g	10 mg	7 mg	20 mg	8.1 × 8.1 in (206 × 206 mm)	16 × 9.8 × 3.5 in (410 × 249 × 88 mm)	195728	\$10,200.00
MCA12201S	12,200 g	100 mg	50 mg	200 mg	8.1 × 8.1 in (206 × 206 mm)	16 × 9.8 × 3.5 in (410 × 249 × 88 mm)	195734	\$7,250.00
MCA14202S	14,200 g	0.01 g	0.01 g	0.03 g	8.1 × 8.1 in (206 × 206 mm)	16 × 9.8 × 3.5 in (410 × 249 × 88 mm)	195727	\$12,300.00
MCA14202P	3,500 g 7,000 g 14,200 g	0.01 g 0.02 g 0.05 g	0.05 g	0.05 g	8.1 × 8.1 in (206 × 206 mm)	16 × 9.8 × 3.5 in (410 × 249 × 88 mm)	195817	\$10,750.00

## Options/Accessories

Part #	Model #	Description	Price
Consult	TR	Certificate of compliance and full factory test report (factory installed)	Consult
Consult	IR	Additional RS-232, 25-pin connection (factory installed)	Consult
156906	6971987	Power supply, 100 to 240 V	\$260.00
156908	6900900	Cord, power 220V EU	\$50.00
Consult	IP	Additional RS-232, 9-pin connection with PS/2 port (factory installed)	Consult



BALANCES  
SARTORIUS



# Cubis® II Series MCE

## Standard Features

- State-of-the-art, TFT touchscreen operation
- Fast stabilization time
- Modular design
- User-configurable and custom designed to meet changing applications
- Meets advanced Pharma compliance including user/password management for security, audit trail function logs and integrated alibi memory
- RS-232 and USB communication
- Underweigh hook

## Specifications

### Weighing Units:

Milligram, Gram, Kilogram, Ounce, Pound, Carat, Pennyweight, Troy Ounce, Grain, Newton Pound/Ounce, Micrograms (See technical manual for complete listing)

### Operating Modes:

Mass Unit Conversion, SQ Min Function, ISO-Cal Function, Density Determination (Buoyancy method only with MSE), Calculation, Averaging, Formulation, Percent Weighing, Totalizing, Counting, Customized Identification, Statistics, Time Control Function, Second Tare Memory

### Power:

120 V AC adapter (auto ranging)  
 Stabilization Time:  
 1202S, 2202S, 4202S, 5201S, 8201S, 12201S: 0.8 seconds  
 6202P, 6202S, 8202S, 10202S, 5202S, 14202S, 14202P: 1 second

### Calibration Weight:

1202S: 1 kg  
 2202S, 4202S: 2 kg  
 5201S, 6202S, 8201S, 8202S: 5 kg  
 5202S: 5,000 g  
 10202S, 12201S, 14202S, 14202P: 10 kg

### Operating Temperature:

5 °C to 40 °C (41 °F to 104 °F)

### Est. Weight:

21 lb

### Warranty:

Ten-year limited

### Return Policy:

Sartorius standard policy - restock fee may apply

Model	Capacity	Readability	Repeatability	Linearity	Pan Size	Dimensions	Part #	List Price
MCE1202S	1,200 g	10 mg	7 mg	20 mg	8.1 × 8.1 in (206 × 206 mm)	16 × 9.8 × 3.5 in (410 × 249 × 88 mm)	195723	\$5,025.00
MCE2202S	2,200 g	10 mg	7 mg	20 mg	8.1 × 8.1 in (206 × 206 mm)	16 × 9.8 × 3.5 in (410 × 249 × 88 mm)	195722	\$5,575.00
MCE4202S	4,200 g	10 mg	7 mg	20 mg	8.1 × 8.1 in (206 × 206 mm)	16 × 9.8 × 3.5 in (410 × 249 × 88 mm)	195721	\$6,125.00
MCE5201S	5,200 g	100 mg	50 mg	100 mg	8.1 × 8.1 in (206 × 206 mm)	16 × 9.8 × 3.5 in (410 × 249 × 88 mm)	195726	\$4,175.00
MCE5202S	5,200 g	0.01 g	0.006 g	0.01 g	8.1 × 8.1 in (206 × 206 mm)	16 × 9.8 × 3.5 in (410 × 249 × 88 mm)	195816	\$7,725.00
MCE6202P	1,500 g 3,000 g 6,200 g	10 mg 20 mg 50 mg	7 mg 20 mg 40 mg	20 mg	8.1 × 8.1 in (206 × 206 mm)	16 × 9.8 × 3.5 in (410 × 249 × 88 mm)	195815	\$6,325.00
MCE6202S	6,200 g	10 mg	7 mg	20 mg	8.1 × 8.1 in (206 × 206 mm)	16 × 9.8 × 3.5 in (410 × 249 × 88 mm)	195720	\$7,050.00
MCE8201S	8,200 g	100 mg	50 mg	100 mg	8.1 × 8.1 in (206 × 206 mm)	16 × 9.8 × 3.5 in (410 × 249 × 88 mm)	195725	\$5,650.00
MCE8202S	8,200 g	10 mg	7 mg	20 mg	8.1 × 8.1 in (206 × 206 mm)	16 × 9.8 × 3.5 in (410 × 249 × 88 mm)	195719	\$7,950.00
MCE10202S	10,200 g	10 mg	7 mg	20 mg	8.1 × 8.1 in (206 × 206 mm)	16 × 9.8 × 3.5 in (410 × 249 × 88 mm)	195718	\$9,225.00
MCE12201S	12,200 g	100 mg	50 mg	200 mg	8.1 × 8.1 in (206 × 206 mm)	16 × 9.8 × 3.5 in (410 × 249 × 88 mm)	195724	\$6,250.00
MCE14202s	14,200 g	0.01 g	0.01 g	0.03 g	8.1 × 8.1 in (206 × 206 mm)	16 × 9.8 × 3.5 in (410 × 249 × 88 mm)	195717	\$11,300.00
MCE14202P	3,500 g 7,000 g 14,200 g	0.01 g 0.02 g 0.05 g	0.01 g 0.02 g 0.01 g	0.05 g	8.1 × 8.1 in (206 × 206 mm)	16 × 9.8 × 3.5 in (410 × 249 × 88 mm)	195812	\$9,750.00

**BALANCES  
SARTORIUS**

## Options/Accessories

Part #	Model #	Description	Price
Consult	TR	Certificate of compliance and full factory test report (factory installed)	Consult
Consult	IR	Additional RS-232, 25-pin connection (factory installed)	Consult
156906	6971987	Power supply, 100 to 240 V	\$260.00
156908	6900900	Cord, power 220V EU	\$50.00
Consult	IP	Additional RS-232, 9-pin connection with PS/2 port (factory installed)	Consult



# Entris® II Series Basic Essential

## Standard Features

- Backlit LED touchscreen
- User-friendly operation
- Basic applications
- Monolithic weighing systems
- Aluminum die-cast base, ABS housing
- Front level bubble
- RS-232 standard
- Weigh below hook

## Specifications

### Weighing Units:

Gram, Kilogram, Ounce, Pound, Carat, Pennyweight, Troy Ounce, Grain, Newton (See technical manual for complete listing)

### Operating Modes:

Weighing, Density, Percentage, Counting, Mass Unit Conversion

### Power:

AC adapter, 115 to 240V, US plug

### Stabilization Time:

1.5 seconds

### Operating Humidity:

15% to 80% for temperatures up to 31 °C

### Operating Temperature:

5 °C to 40 °C (41 °F to 104 °F)

### Calibration Weight:

BCE622I-1S, BCE822II-1S, BCE1202I-1S, BCE2202I-1S: 500 g  
 BCE2201I-1S: 2,000 g  
 BCE3202I-1S, BCE4202I-1S, BCE5201I-1S, BCE6202I-1S, BCE6200I-1S, BCE8201I-1S, BCE8200I-1S: 5,000 g

### Est Weight:

BCE822II-1: 10.6 lb (4.8 kg)  
 BCE1202I-1S: 12 lb (5.4 kg)  
 BCE622I-1S, BCE2202I-1S: 13.9 lb (6.3 kg)  
 BCE2201I-1S, BCE3202I-1S, BCE4202I-1S, BCE5201I-1S, BCE6202I-1S, BCE6200I-1S, BCE8201I-1S, BCE8200I-1S: 12 lb (5.4 kg)

### Warranty:

Two-year limited

### Return Policy:

Sartorius standard policy - restock fee may apply

Model	Capacity	Readability	Repeatability	Linearity	Pan Size	Dimensions	Part #	List Price
BCE622I-1S	620 g	0.01 g	±1 mg	±2 mg	4.7 in (120 mm)	9.1 × 11.9 × 13 in (230 × 303 × 330 mm)	197399	\$1,650.00
BCE822II-1S	820 g	0.01 g	±1 mg	±2 mg	4.7 in (120 mm)	9.1 × 11.9 × 5.4 in (230 × 303 × 136 mm)	197401	\$1,780.00
BCE1202I-1S	1,200 g	0.01 g	±1 mg	±2 mg	4.7 in (120 mm)	9.1 × 11.9 × 5.4 in (230 × 303 × 136 mm)	197402	\$1,910.00
BCE2202I-1S	2,200 g	0.01 g	±1 mg	±2 mg	4.7 in (120 mm)	9.1 × 11.9 × 5.4 in (230 × 303 × 136 mm)	197403	\$2,040.00
BCE2201I-1S	2,200 g	0.1 g	±0.1 g	±0.3 g	4.7 in (120 mm)	9.1 × 11.9 × 5.4 in (230 × 303 × 136 mm)	197404	\$1,780.00
BCE3202I-1S	3,200 g	0.01 g	±0.1 g	±0.3 g	4.7 in (120 mm)	9.1 × 11.9 × 5.4 in (230 × 303 × 136 mm)	197405	\$2,160.00
BCE4202I-1S	4,200 g	0.01 g	±0.1 g	±0.3 g	7.1 × 7.1 × 3.6 in (180 × 180 × 91 mm)	9.1 × 11.9 × 5.4 in (230 × 303 × 136 mm)	197406	\$2,410.00
BCE5201I-1S	5,200 g	0.1 g	±0.1 g	±0.3 g	7.1 × 7.1 × 3.6 in (180 × 180 × 91 mm)	9.1 × 11.9 × 5.4 in (230 × 303 × 136 mm)	197407	\$1,910.00
BCE6202I-1S	6,200 g	0.01 g	±0.1 g	±0.3 g	7.1 × 7.1 × 3.6 in (180 × 180 × 91 mm)	9.1 × 11.9 × 5.4 in (230 × 303 × 136 mm)	197408	\$3,050.00
BCE6200I-1S	6,200 g	1.0 g	±0.1 g	±0.3 g	7.1 × 7.1 × 3.6 in (180 × 180 × 91 mm)	9.1 × 11.9 × 5.4 in (230 × 303 × 136 mm)	197409	\$1,780.00
BCE8201I-1S	8,200 g	0.1 g	±0.1 g	±0.3 g	7.1 × 7.1 × 3.6 in (180 × 180 × 91 mm)	9.1 × 11.9 × 5.4 in (230 × 303 × 136 mm)	197410	\$2,160.00
BCE8200I-1S	8,200 g	1.0 g	±0.1 g	±0.3 g	7.1 × 7.1 × 3.6 in (180 × 180 × 91 mm)	9.1 × 11.9 × 5.4 in (230 × 303 × 136 mm)	197411	\$1,910.00

BALANCES  
SARTORIUS

## Options/Accessories

Part #	Model #	Description	Price
112261	YDP20-OCE	Data printer (printer requires power supply part number 191429)	\$1,580.00
31103	6906937	Paper rolls, one roll	\$76.00
31106	6906918	Ink ribbon cassette	\$100.00
201911	YCC-D09MF	Data cable RS-232, DB-9M to DB-9F (For YDP20 Printer)	\$85.00
204042	YEPS01-PS8	Replacement AC adapter with interchangeable plugs (included with Entris II)	\$61.00
191429	YEPS01-PS4	AC adapter with interchangeable plugs (for use with YDP20-OCE printer)	\$67.00



# Entris® II Series Basic Advanced

## Standard Features

- User-friendly operation
- Basic applications
- Monolithic weighing systems
- Aluminum die-cast base, ABS housing
- Front level bubble
- RS-232 standard
- Below balance weighing

## Specifications

### Weighing Units:

Gram, Kilogram, Ounce, Pound, Carat, Pennyweight, Troy Ounce, Grain, Newton (See technical manual for complete listing)

### Operating Modes:

Weighing, Density, Percentage, Counting, Mass Unit Conversion, Mixing, Statistics, Components, Animal Weighing, Checkweighing, Peak Hold and Pipette Test

### Power:

AC adapter, 115 to 240V, US plug

### Stabilization Time (typical):

1.5 seconds

### Operating Humidity:

15% to 80% for temperatures up to 31 °C

### Calibration Weight:

BCA822I-1S, BCA1202I-1S, BCA2201I-1S: 500 g  
 BCA2202I-1S: 2,000 g  
 BCA3202I-1S, BCA4202I-1S, BCA5201I-1S, BCA6202I-1S, BCA8201I-1S, BCA10201I-1S, BCA12201I-1S: 5,000 g

### Operating Temperature:

5 °C to 40 °C (41 °F to 104 °F)

### Est. Weight:

BCA822I-1S, BCA2201I-1S, BCA2202I-1S, BCA3202I-1S, BCA4202I-1S, BCA5201I-1S, BCA6202I-1S, BCA8201I-1S, BCA10201I-1S, BCA12201I-1S: 13.9 lb (6.3 kg)  
 BCA1202I-1S: 10.6 lb (4.8 kg)

### Warranty:

Two-year limited

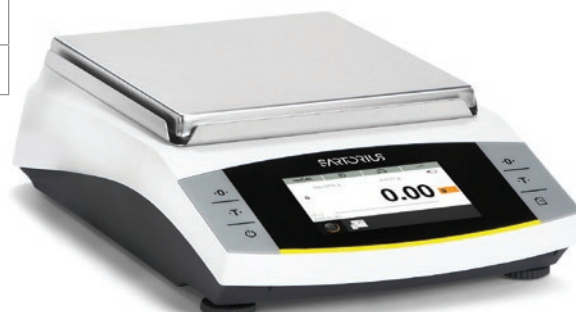
### Return Policy:

Sartorius Standard Policy - restock fee may apply

Model	Capacity	Readability	Repeatability	Linearity	Pan Size	Dimensions	Part #	List Price
BCA822I-1S	820 g	10 mg	±1 mg	±2 mg	4.7 in (120 mm)	17.72 × 9.84 × 13.78 in (45 × 25 × 35 cm)	202476	\$2,240.00
BCA1202I-1S	1,200 g	10 mg	±1 mg	±2 mg	4.7 in (120 mm)	17.72 × 9.84 × 13.78 in (45 × 25 × 35 cm)	202477	\$2,480.00
BCA2201I-1S	2,200 g	0.1 g	±1 mg	±2 mg	4.7 in (120 mm)	17.72 × 9.84 × 13.78 in (45 × 25 × 35 cm)	202479	\$2,120.00
BCA2202I-1S	2,200 g	10 mg	±0.1 g	±0.3 g	4.7 in (120 mm)	17.72 × 9.84 × 13.78 in (45 × 25 × 35 cm)	202480	\$2,700.00
BCA3202I-1S	3,200 g	10 mg	±0.1 g	±0.3 g	4.7 in (120 mm)	17.72 × 9.84 × 13.78 in (45 × 25 × 35 cm)	202481	\$2,950.00
BCA4202I-1S	4,200 g	10 mg	±0.1 g	±0.3 g	7.1 × 7.1 × 3.6 in (180 × 180 × 91 mm)	17.72 × 9.84 × 13.78 in (45 × 25 × 35 cm)	202482	\$2,830.00
BCA5201I-1S	5,200 g	0.1 g	±0.1 g	±0.3 g	7.1 × 7.1 × 3.6 in (180 × 180 × 91 mm)	17.72 × 9.84 × 13.78 in (45 × 25 × 35 cm)	202483	\$2,360.00
BCA6202I-1S	6,200 g	10 mg	±0.1 g	±0.3 g	7.1 × 7.1 × 3.6 in (180 × 180 × 91 mm)	17.72 × 9.84 × 13.78 in (45 × 25 × 35 cm)	202484	\$4,250.00
BCA8201I-1S	8,200 g	0.1 g	±0.1 g	±0.3 g	7.1 × 7.1 × 3.6 in (180 × 180 × 91 mm)	17.72 × 9.84 × 13.78 in (45 × 25 × 35 cm)	202485	\$2,825.00
BCA10201I-1S	10,200 g	0.1 g	±0.1 g	±0.3 g	7.1 × 7.1 × 3.6 in (180 × 180 × 91 mm)	17.72 × 9.84 × 13.78 in (45 × 25 × 35 cm)	202486	\$4,250.00
BCA12201I-1S	12,200 g	0.1 g	±0.1 g	±0.3 g	7.1 × 7.1 × 3.6 in (180 × 180 × 91 mm)	17.72 × 9.84 × 13.78 in (45 × 25 × 35 cm)	202487	\$4,475.00

## Options/Accessories

Part #	Model #	Description	Price
112261	YDP20-OCE	Data printer (printer requires power supply part number 191429)	\$1,580.00
31103	6906937	Paper rolls, one roll	\$76.00
31106	6906918	Ink ribbon cassette	\$100.00
201911	YCC-D09MF	Data cable RS-232, DB-9M to DB-9F (For YDP20 Printer)	\$85.00
204042	YEPS01-PS8	Replacement AC adapter with interchangeable plugs (included with Entris II)	\$61.00
191429	YEPS01-PS4	AC adapter with interchangeable plugs (for use with YDP20-OCE printer)	\$67.00



BALANCES  
SARTORIUS

# MA35, MA37 and MA160 Series

## Standard Features

- High-speed measurements
- Effortless cleaning
- User-friendly operation
- Display of process status

## Specifications

### Heating Element:

MA35, MA37: Infrared metal heating element  
 MA160: Infrared radiation by an AURI heater, 600 W

### Heating Mode:

MA35, MA37: Standard drying  
 MA160: Standard drying, gentle drying

### Power:

120/230 VAC multi-range adapter

### Display Modes for Results:

Moisture content in % M and g; dry matter in % S and g; ATRO in % M/S

### Data Interface:

MA35: RS-232  
 MA37: Mini USB  
 MA160: M-Mini USB

### Calibration Weight:

MA35: 30 g  
 MA37: 50 g  
 MA160: 200 g

### Operating Temperature:

10 °C to 30 °C (50 °F to 86 °F)

### Temperature Range and Settings:

40 °C to 160 °C (104 °F to 320 °F)

### Est. Weight:

MA35: 12.8 lb (5.8 kg)  
 MA37, MA160: 13.7 lb (6.2 kg)

### Warranty:

Two-year limited

### Return Policy:

Sartorius standard policy - restock fee may apply

Model	Capacity	Readability	Repeatability	Pan Size	Dimensions	Part #	List Price
MA35	35 g	0.001 g	For initial sample weight approx >1 ±0.2%; for initial sample weight >5 ±0.05%	3.5 in (90 mm)	8.8 × 14.4 × 7.5 in (224 × 366 × 191 mm)	191983	\$3,325.00
MA37	70 g	0.001 g	For initial sample weight approx >1 ±0.2%; for initial sample weight >5 ±0.05%	3.5 in (90 mm)	8.5 × 15.7 × 8.3 in (215 × 400 × 210 mm)	165963	\$4,650.00
MA160	200 g	0.01 g	For initial sample weight approx >1 ±0.2%; for initial sample weight >5 ±0.05%	3.5 in (90 mm)	8.5 × 15.7 × 8.3 in (215 × 400 × 210 mm)	165964	\$5,850.00



**Standard Features**

- Converts serial data such as bar code reader or scale into keyboard input to software program
- Works with PC and MAC® computers
- Requires no driver installation (identifies itself as additional HID keyboard)
- Cable draws power from USB port (no external power supply needed)
- Test cable to be connected with adapter scale cable or connector
- Bluetooth® version allows connection to devices like iPad®, Android® tablets and smart cell phones

**Specifications**

**Power:**  
USB power, no external power supply

**Baud Rate:**  
9600

**Color:**  
Black

**Cable Length:**  
74 in (1,880 mm)

**Bluetooth Cable Length:**  
16 in (406 mm)

**Host:**  
PC and MAC compliant

**Connection:**  
DB9 male connector, Pin 2 RX, Pin 3 TX and Pin 5 Ground USBA connector

**Part Number/Price**

Part #	Description	Weight	Price
119919	RS-232/USB serial cable	1lb	\$190.00
132452	RS-232/USB serial cable plus Bluetooth®	1lb	\$275.00

**Options/Accessories**

Part #	Description	Price
119064	Slimline null modem, gender changer DB9 female to female	\$12.50
22436	Blunt-end to DB9 female, straight cable	\$70.00
50749	DB9 female to DB9 female	\$60.00
130789	Null model DB9 adapter female to male	\$14.50



BALANCES  
ACCESSORIES



# Go-Between™

## Standard Features

- LED onboard for testing data transmission
- Captures data and stores it on a USB flash drive (up to 8 GB not included)
- Transfer data to your PC using the USB flash drive
- Text file examples (actual text will be dependent on transmitted file)
- 02:50PM  
11/13/2012  
GROSS 58 lb
- 02:50PM  
11/13/2012  
GROSS 68 lb

## Specifications

- Power:**  
Requires 5 VDC
- Baud Rate:**  
9600
- Data Bits:**  
8
- Parity:**  
None
- Customer Supplied:**  
Power and USB flash drive

### Industrial Enclosure Option:

7.5 × 7.5 × 4.5 in  
(19 × 19 × 12 cm)  
Latch for lock

### Warranty:

One-year limited

## Part Number/Price

Part #	Description	Price
153265	go-between board, requires 5 volts	\$435.00
153266	go-between industrial enclosure, requires 5 volts	\$630.00
153267	go-between desk enclosure, power supply included	\$525.00

## Options/Accessories

Part #	Description	Price
154797	Adapter, power 5 VDC 2A 90 to 264 VAC, U.S. plug, cULus	\$37.00
195607	USB flash drive, 8 GB	\$9.00
130789	Null model DB9 adapter female to male	\$14.50
119064	Null modem adapter, DB9 F/F	\$12.50
50764	Straight cable, DB9 F/F	\$69.00
66535	Null modem DB9 F/F	\$46.00
22436	DB9 cable to blunt end	\$70.00
15493	Cable four-conductor	\$1.55/ft



BALANCES  
ACCESSORIES

# Kasota Stone Balance Slab

## Standard Features

- Balance slabs
- Balance tables
- Anti-vibration



*Reduces vibration and shock, ideal where tables will not fit.*

## Part Number/Price

Part #	Description	Price
<b>Standard Balance Slab, Kasota Stone</b>		
<b>83779</b>	15 × 20 × 3 in, 100 lb	<b>\$475.00</b>

# Kasota Stone Balance Table

## Standard Features

- Balance slabs
- Balance tables
- Anti-vibration



*Provides the most stable surface possible for precision instruments. Legs are reinforced with support pipe.*

## Part Number/Price

Part #	Description	Price
<b>Standard Balance Table, Kasota Stone</b>		
<b>83778</b>	24 × 35 × 32 in, 700 lb	<b>\$1,260.00</b>

# Granite Clean Room Table

## Standard Features

- Balance slabs
- Balance tables
- Anti-vibration



*Mass, density and vibration damping properties for most applications (four damping pads included).*

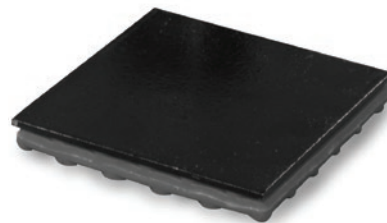
## Part Number/Price

Part #	Description	Price
<b>Clean Room Table, Granite</b>		
<b>83780</b>	24 × 35 × 32 in, 600 lb	<b>\$2,850.00</b>

# Anti-Vibration Pad

## Standard Features

- Balance slabs
- Balance tables
- Anti-vibration



## Part Number/Price

Part #	Description	Price
<b>Anti-Vibration Pad</b>		
<b>75263</b>	Anti-vibration pad 4 × 4 1/2 in-thick	\$17.75

# Scoops

## Standard Features

- Aluminum
- Polypropylene
- Stainless steel



PN 33447

## Part Number/Price

Part #	Description	Price
<b>33447</b>	Stainless steel, 12 × 6 × 2.75 in (304 × 152 × 70 mm)	\$175.00
<b>33454</b>	Black, aluminum 4.0 × 3.5 in (102 × 89 mm)	\$51.00
<b>97250</b>	Stainless steel scoop 11.9 × 7.4 × 1.7 in	\$98.00



PN 33454

# Static Control

NRD is the industry leader for providing advanced ionization products to eliminate electrostatic discharge and static attraction. The success of NRD devices is based on unique and extremely effective ionization sources that use alpha-energy to neutralize static electricity. Unlike electrical ionization systems, NRD ion sources don't just control static, they eliminate it by providing a constant balance of  $\pm$ zero volts.

The ion sources are entirely self-powered and never require any calibration or adjustment; therefore, there are no operating costs associated with them throughout their lifetime. Because NRD ion sources do not require electricity and are completely safe, they are ideal for

use in any application, including highly-volatile environments.

Static charge buildup is the cause of many production problems including downtime, reduced product quality, and ultimately increased costs and reduced profits. Although the static charges cannot be seen, they are quite noticeable.

Thousands of volts of electricity can easily accumulate on the surfaces of in-process materials. This buildup can ignite combustibles, shock personnel, destroy sensitive electronic components and cause many types of production problems. In addition, static attraction of dirt, dust and other foreign matter contaminates products

and process equipment, which intensifies processing problems.

NRD alpha-energy devices rapidly neutralize charged materials. This is accomplished by emitting a flood of both positively and negatively charged ions in the vicinity of the affected material. The charged material then attracts a sufficient quantity of oppositely charged ions to completely eliminate its static charge.

NRD alpha-energy ion sources totally eliminate static buildup, not just reduce it, as with other methods of static control. As with all types of ion sources, ionized air has absolutely no adverse effects on personnel.

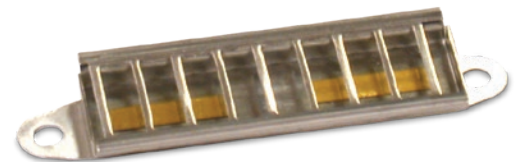


## Return For Disposal

The ionizers can be sent to:

NRD Static Control  
2937 Alt Boulevard  
Grand Island, NY 14072

The box must be clearly marked with "UN2911" on the outside, so NRD knows what to do with them. An RMA is not required, and there is no charge for a recycling fee.



1 × 3 in Ionizing Strip



1 × 1 in Ionizing Strip



1 in Static Brush

3 in Static Brush



Stand Ionizer

BALANCES  
ACCESSORIES

# Static Control

## Ionizers

Part #	Staticmaster Part #	Description	Price
164648	4068	Mini-fan ionizer	\$140.00
164649	6105	I-beam stand ionizer	\$1,070.00

## Ionizing Strips - 1 inch

Part #	Staticmaster Part #	Description	Price
76677	1U400	ionizing unit 1 in	\$250.00
76678	1U200	ionizing unit 1 in	\$150.00

## Static Brushes - 1 inch

Part #	Staticmaster Part #	Description	Price
76669	1C200	Static brush, 1 in	\$140.00
76670	1C200R	Replacement cartridge	\$90.00

## Ionizing Strips - 3 inch

Part #	Staticmaster Part #	Description	Price
76676	2U500	ionizing unit 1 × 3 in	\$250.00

## Static Brushes - 3 inch

Part #	Staticmaster Part #	Description	Price
76671	3C500	Static brush, 3 in	\$210.00
76672	3C500R	Replacement cartridge	\$145.00

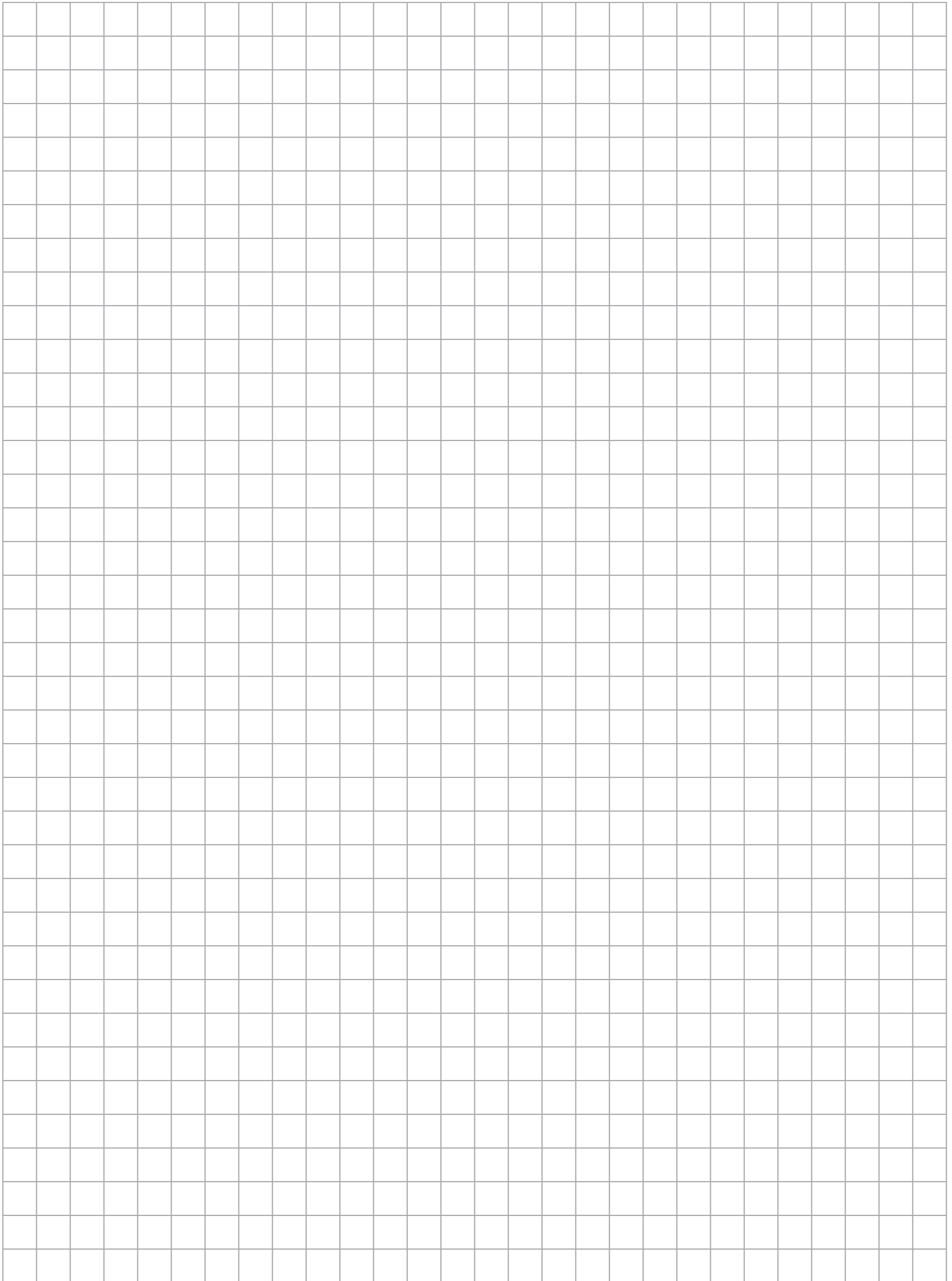
## Ionizing Strip Accessories

Part #	Staticmaster Part #	Description	Price
76679	BF1	Ionizer positioner	\$73.00
76680	BF2	ionizer positioner only - C bracket	\$105.00
163601	BF3	EZ-Mount, 2U500 BF3 option mounts 2U500 to balance chamber	\$15.75
163602	5060	Grounding kit, 2U500 5060 enhances static eliminating power Staticmaster 2U500	\$31.50



Mini-fan Ionizer







# Belt Scales

---

## TABLE OF CONTENTS

<b>Master™ 311</b> .....	<b>148</b>
<i>Medium to Heavy Capacity Weigh Frame</i>	
<b>Master™ 221DB</b> .....	<b>149</b>
<i>Medium to Heavy Capacity Belt Scale</i>	
<b>Master™ 211</b> .....	<b>150</b>
<i>Medium to Heavy Capacity Weigh Frame</i>	
<b>Master™ 14X</b> .....	<b>151</b>
<i>Medium to Heavy Capacity Weigh Frame</i>	
<b>Master™ 421</b> .....	<b>152</b>
<i>Light Capacity Weigh Frame</i>	
<b>BCi</b> .....	<b>153</b>
<i>In-Motion Belt Scale System</i>	
<b>882D Belt Scale Integrator</b> .....	<b>155</b>
<b>Belt Scale Accessories</b> .....	<b>157</b>
<b>Belt Scale Application</b> .....	<b>158</b>

Product names, logos, brands and other trademarks featured or referred to within this publication are the property of their respective trademark holders.

# Master™ 311

Medium to Heavy Capacity Weigh Frame



## Standard Features

- Semi-modular weigh frame design
- Weigh frame without moving parts
- Fits standard conveyors
- Mounts with four bolts
- Requires weigh frame cutting for proper fit
- Minimal modifications to conveyor required

## Options

- Galvanized or stainless construction
- Custom widths available
- Custom lifting weights available on request

## Applications

- Mining, quarries, bulk material blending, process control and retrofit

## Specifications

### Belt Width:

18 to 36 in (457 to 914 mm)

### Capacity:

1,500 tons per hour

### Belt Speed:

Maximum 400 ft/minute (2 m/s)

### Inclination:

Maximum 12 degrees

### Material:

Powder coated mild steel

### Accuracy System:

1%

### Load Cell:

RL1218A: 50 kg, 100 kg, 250 kg

### Warranty:

One-year limited

## Part Number/Price

Part #	Description	Est. Weight	Price
215021	Master 311 belt scale weigh frame, 18 in belt with 75 kg load cell	125 lb	\$1,300.00
215022	Master 311 belt scale weigh frame, 24 in belt with 75 kg load cell	125 lb	\$1,300.00
215023	Master 311 belt scale weigh frame, 24 in belt with 150 kg load cell	125 lb	\$1,300.00
215025	Master 311 belt scale weigh frame, 30 in belt with 150 kg load cell	125 lb	\$1,400.00
215030	Master 311 belt scale weigh frame, 30 in belt with 250 kg load cell	125 lb	\$1,400.00
215031	Master 311 belt scale weigh frame, 36 in belt with 250 kg load cell	125 lb	\$1,500.00
Consult	Lifting weight kit		Consult

Please complete the Belt Scale Application on page 158 to obtain a quote

# Master™ 221DB

Medium to Heavy Capacity Belt Scale



## Part Number/Price

Part #	Description	Est. Weight	Price
163292	221DB belt scale with 50 kg load cells	143 lb	\$3,500.00
163293	221DB belt scale with 100 kg load cells	143 lb	\$3,500.00
163294	221DB belt scale with 200 kg load cells	143 lb	\$3,500.00
202591	221DB stainless steel belt scale with 50 kg load cells	143 lb	\$5,200.00
202592	221DB stainless steel belt scale with 100 kg load cells	143 lb	\$5,200.00
202593	221DB stainless steel belt scale with 200 kg load cells	143 lb	\$5,200.00

Please complete the Belt Scale Application on page 158 to obtain a quote

## Standard Features

- Weigh frame is mounted on the outside of conveyor
- Minimal modifications to conveyor are required
- Service friendly
- Friction-free pivot supports
- Two support beams
- Fits standard conveyors
- Mounts with four bolts

## Options

- Galvanized or stainless construction

## Applications

- Medium to heavy capacity

## Specifications

### Conveyor Width:

18 to 72 in (457 to 1,829 mm)

### Capacity:

3,300 tons per hour

### Maximum Belt Speed:

800 ft/minute (4 m/s)

### Inclination:

Maximum 25 degrees

### Material:

Powder coated mild steel

### Accuracy System:

0.5% to 1%

### Load Cell:

RL9018SS: 50 kg, 100 kg, 200 kg

### Junction Box:

JB4SS

### Warranty:

One-year limited

# Master™ 211

Medium to Heavy Capacity Weigh Frame



## Standard Features

- Friction-free pivot points
- One load cell carrier beam
- Fits standard conveyors
- Custom built for each application

## Options

- 304/316 Stainless steel
- Dual load cells
- Dual idler
- Custom lifting weights available on request

## Applications

- Medium to heavy capacity, mining and agriculture

## Specifications

**Conveyor Width:**

20 to 80 in (500 to 2,000 mm)

**Capacity:**

3,000 tons per hour

**Maximum Belt Speed:**

800 ft/minute (4 m/s)

**Maximum Inclination:**

25 degrees

**Material:**

Powder coated mild steel

**Accuracy System:**

0.5%

**Load Cell:**

RL20001 alloy steel, S-beam  
(capacity selected from application)

**Warranty:**

One-year limited

## Part Number/Price

Part #	Description	Price
Consult	Lifting weight kit	Consult

Please complete the Belt Scale Application on page 158 to obtain a quote



# Master™ 14X

Medium to Heavy Capacity Weigh Frame



## Standard Features

- Custom built for each application
- Fits standard conveyors
- Multiple idler design
- Inner frame has free-floating platform

## Options

- 304 stainless steel
- Two, three or four weigh idlers
- Customer lifting weights available upon request

## Applications

- Medium to heavy capacity, mining and aggregate

## Specifications

**Conveyor Width:**

20 to 120 in (500 to 3,000 mm)

**Capacity:**

20,000 tons per hour

**Belt Speed:**

1,400 ft/ minute (7 m/s)

**Inclination:**

25 degrees

**Material:**

Powder coated mild steel

**Accuracy Guidelines:**

0.25%

**Load Cell:**

RL20001 alloy steel S-beam  
(capacity selected from application)

**Warranty:**

One-year limited

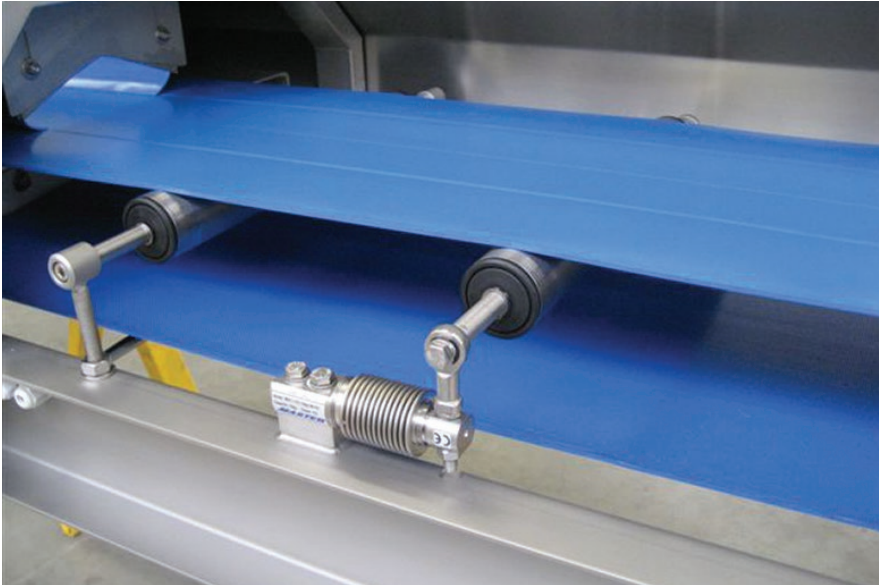
## Part Number/Price

Part #	Description	Price
Consult	Master 142	Consult
Consult	Master 143	Consult
Consult	Master 144	Consult
Consult	Lifting weight kit	Consult

Please complete the Belt Scale Application on page 158 to obtain a quote

# Master™ 421

Light Capacity Weigh Frame



## Standard Features

- Ideal for flat belt conveyors
- Roller supported on both sides by load cells
- Open design for easy cleaning

## Applications

- Light capacity, food production and light granular materials

## Specifications

### Conveyor Width:

12 to 60 in (300 to 1,600 mm)

### Capacity:

30 tons per hour

### Belt Speed:

400 ft/minute (2 m/s)

### Inclination:

10 degrees

### Material:

Powder coated mild steel, 304 / 316 stainless steel

### Accuracy Systems:

0.5%

### Load Cell:

RL9018SS single-ended beam in 10 kg, 20 kg or 50 kg capacities

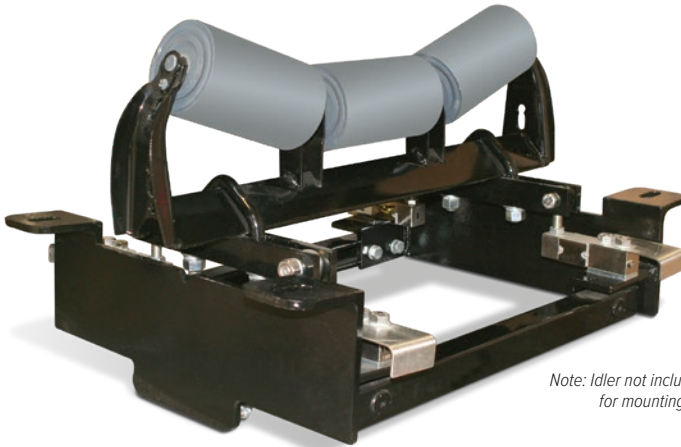
### Warranty:

One-year limited

## Part Number/Price

Part #	Description	Price
Consult	421 weigh frame	\$2,575.00

Please complete the Belt Scale Application on page 158 to obtain a quote



Note: Idler not included. Customer is responsible for mounting idler to weigh frame.

## Part Number/Price

Part #	Description	Est. Belt Width	Capacity	Price
<b>Mild Steel Weigh Frames</b>				
94968	24 in weigh frame	18 in	500 lb	\$2,800.00
95208	30 in weigh frame	24 in	500 lb	\$2,800.00
95209	36 in weigh frame	30 in	500 lb	\$2,800.00
95210	42 in weigh frame	36 in	500 lb	\$2,800.00
95211	48 in weigh frame	42 in	500 lb	\$2,800.00
95212	54 in weigh frame	48 in	500 lb	\$2,800.00
96717	60 in weigh frame	54 in	1,000 lb	\$2,800.00
96718	66 in weigh frame	60 in	1,000 lb	\$2,800.00
96719	72 in weigh frame	66 in	1,000 lb	\$2,800.00
Consult	Light-capacity weigh frames			\$3,185.00
<b>Stainless Steel Weigh Frames</b>				
110839	24 in weigh frame	18 in	500 lb	\$5,300.00
105246	30 in weigh frame	24 in	500 lb	\$5,300.00
110841	36 in weigh frame	30 in	500 lb	\$5,300.00
110842	42 in weigh frame	36 in	500 lb	\$5,300.00
110843	48 in weigh frame	42 in	500 lb	\$5,300.00
110844	54 in weigh frame	48 in	500 lb	\$5,300.00
110845	60 in weigh frame	54 in	500 lb	\$5,300.00
110846	66 in weigh frame	60 in	500 lb	\$5,300.00
110847	72 in weigh frame	66 in	500 lb	\$5,300.00
Consult	Light-capacity weigh frames			\$4,595.00
<b>Weigh Frame Accessories</b>				
126282	V-bolt for 3 in angle iron base idlers set of 2			\$95.00
126283	V-bolt for 4 in angle iron base idlers set of 2			\$105.00

Please complete the Belt Scale Application on page 158 to obtain a quote

## Standard Features

- Fits standard conveyors using CEMA-C idlers
- No moving parts
- Four shear laterally opposed shear beam load cells
- Fabricated with heavy gauge steel
- Minimal conveyor modifications required for installation

## Applications

- Mining, quarries, bulk material blending, process control, utilities, truck/berge/rail loading and retrofit

## Specifications

### Conveyor Widths:

18 to 72 in

### Capacity:

Up to 10,000 tons per hour

### Belt Speed:

Up to 1,200 feet per minute

### Accuracy Guidelines:

Guidelines assume clean belt with automatic tensioning system. Accuracy guidelines are typical. System accuracy may vary depending on environmental influences.

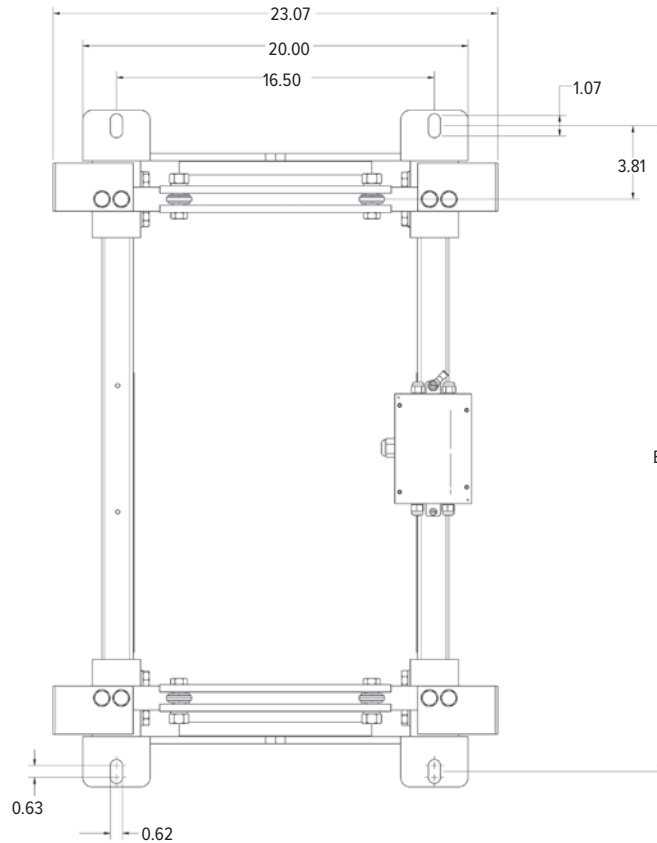
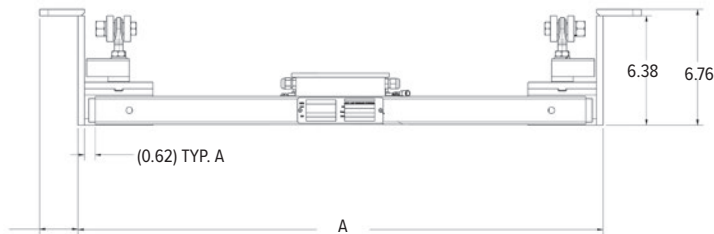
### System Accuracy:

Single to two idler system: 0.5% to 1% total error

## Dimensions

Part Number	A	B
<b>Mild Steel</b>		
94968	24.00 in	27.50 in
95208	30.00 in	33.50 in
95209	36.00 in	39.50 in
95210	42.00 in	45.50 in
95211	48.00 in	51.50 in
95212	54.00 in	57.50 in
96717	60.00 in	63.50 in
96718	66.00 in	69.50 in
96719	72.00 in	75.50 in

Part Number	A	B
<b>Stainless Steel</b>		
110839	24.00 in	27.50 in
105246	30.00 in	33.50 in
110841	36.00 in	39.50 in
110842	42.00 in	45.50 in
110843	48.00 in	51.50 in
110844	54.00 in	57.50 in
110845	60.00 in	63.50 in
110846	66.00 in	69.50 in
110847	72.00 in	75.50 in



Note: Cables on drawings removed for clarity. Idler mounting hardware is not included in weigh frame; see idler mounting bolts above.

# 882D Belt Scale Integrator



## Approvals



## Standard Features

- LCD display
- Hardware slot for two option cards
- Operator access to audit trail, preset tare, accumulator, time & date and setpoints through menu keys
- Password protected audit trail tracking for configuration and calibration changes
- Setpoints for control and alarms
- Four onboard digital I/O channels
- Four programmable ticket formats up to 1,000 characters
- Filter settings for noise
- Speed inputs

## Part Number/Price

Part #	Description	Price
<b>Integrators</b>		
177708	120 VAC	\$2,115.00
180847	220 VAC Euro power cord	\$2,115.00
184683	9 to 36 VDC	\$2,275.00

## Options/Accessories

Part #	Description	Price
190527	Digital I/O	\$365.00
190528	Single analog	\$425.00
190529	Relay interface, not for totalizer pulse count output	\$470.00
177850	Panel mount option 880	\$215.00
197724	Overlay, clear protective	\$75.00
<b>Network Cards</b>		
190530	Ethernet/IP	\$620.00
190531	DeviceNet	\$620.00
190532	ProfiNet	\$620.00
190534	Profibus	\$620.00
190533	Modbus TCP	\$620.00
190535	EtherCAT	\$620.00

Please complete the Belt Scale Application on page 158 to obtain a quote

## Specifications

### Power

Input voltages: 100 to 240 VAC; 9 to 36 VDC  
Input frequency: 50/60 Hz

### Power Consumption:

AC: 15 watts; DC: 20 watts

### Excitation Voltage:

10 VDC 8 × 350 ohm (16 × 700 ohm) load cells

### Analog Signal Input Range:

-45 mV to 45 mV

### Analog Signal Sensitivity:

0.3 μV/graduation minimum at 7.5 Hz;  
1.0 μV/graduation typical at 120 Hz

### Sample Rate:

7.5 to 120 Hz, software selectable

### Resolution:

Internal: 8,000,000 counts 23-bit  
Display: 100,000

### System Linearity:

± 0.01% full scale

### Digital I/O:

Four I/O onboard primary keys, pseudo functions, batching functions

### Communication Ports:

RS-232 full duplex or RS-485 half duplex; USB 2.0 Micro B connector; Ethernet TCP/IP

### Pulse Input:

Dual inputs for redundancy

### Display:

LCD display, 0.8 in, seven-digit, seven-segment weight display, 3 × 20 pixelated prompt area

### Annunciators:

Load, total, rate, speed, zero

### Keys/Buttons:

Flat membrane panel, tactile feel

### Operating Temperature:

Industrial: 14 °F to 122 °F (-10 °C to 50 °C)

### Dimensions:

(L × W × H)  
9.93 × 4.00 × 8.94 in

### Weight:

12 lb (5.4 kg)

### Rating/Material:

IP66  
Stainless steel

### Warranty:

Two-year limited

### EMC Immunity:

18 KV, 10 V/m

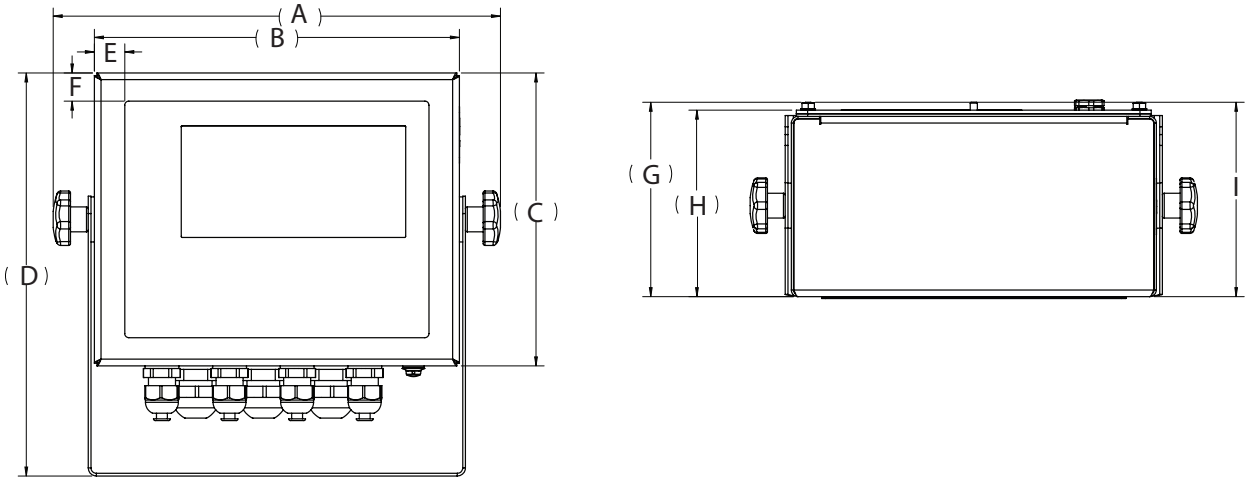
### Approvals:

CE Approved  
cULus Listed

# 882D Belt Scale Integrator

## Dimensions

882D Belt Scale Integrator			
A	9.93 in (252 mm)	F	0.63 in (16 mm)
B	8.10 in (206 mm)	G	4.31 in (110 mm)
C	6.50 in (165 mm)	H	4.14 in (105 mm)
D	8.94 in (227 mm)	I	4.32 in (110 mm)
E	0.68 in (17 mm)		





# Belt Scale Accessories



High-resolution Speed Sensor



Magnetic Coupler



Speed Wheel



Speed Sensors 125334 and 163319

## Standard Features

- The speed sensor monitors belt speed. It is directly coupled to a rotating shaft which drives a signal generator. The speed sensor submits an output signal at a frequency directly proportional to the shaft speed. It is typically installed on a non-driven pulley of a belt conveyor for detecting belt speed.

## Part Number/Price

Part #	Description	Price
<b>Speed Sensing</b>		
152626	500 PPR high-resolution encoder kit, requires 152247 if magnetic coupling is required	\$1,600.00
152247	Magnetic coupler, use with 152626	\$500.00
125334	Speed sensor, belt scale 50 PPR (generator type)	\$1,200.00
163319	Speed sensor, belt scale 600 PPR (encoder type)	\$1,200.00
94969	Speed wheel assembly, 10 PPR NPN Configuration	\$1,000.00
<b>Static Weights</b>		
99708	15 lb weight	\$215.00
99709	30 lb weight	\$275.00
99696	3 in static weight mounting bracket (set of two)	\$535.00
99922	4 in static weight mounting bracket (set of two)	\$600.00
<b>Speed Sensor Replacement Parts</b>		
94979	Sensor proximity, for 94969	\$115.00
98320	Shoulder bolt, for 94969	\$15.00
95216	Bushing, speed wheel for 94969	\$12.75
192927	Coupler, replacement for 125334 and 163319	\$175.00
<b>Accessories</b>		
97416	Kit, shim 50 each 1/16 in, 1/8 in and 1/4 in thick	\$95.00
21161	Junction box, splice single cell	\$80.00
98501	Cable, load cell custom, 20 ft EL146HE	\$34.50

Idle hardware not included with weigh frames

# Belt Scale Application



Company \_\_\_\_\_ Prepared By \_\_\_\_\_ Date \_\_\_\_\_

Address \_\_\_\_\_

City \_\_\_\_\_ State/Zip/Country \_\_\_\_\_

Phone \_\_\_\_\_ Fax \_\_\_\_\_ Email \_\_\_\_\_

Application Notes:

\_\_\_\_\_  
\_\_\_\_\_

## MATERIAL

Material being measured \_\_\_\_\_ Bulk Density (kg/l ) (lb/cu. ft) \_\_\_\_\_  
Corrosive state of material (choose one)  High  Moderate  Not Corrosive  
Feed Rate t/hr: \_\_\_\_\_ min. \_\_\_\_\_ max. Accuracy Required: +/- \_\_\_\_\_ %  
Constant Feed Rate:  Yes  No

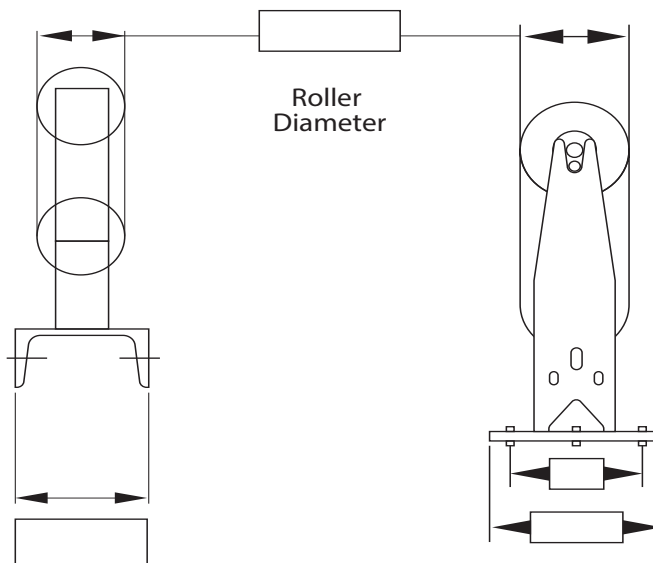
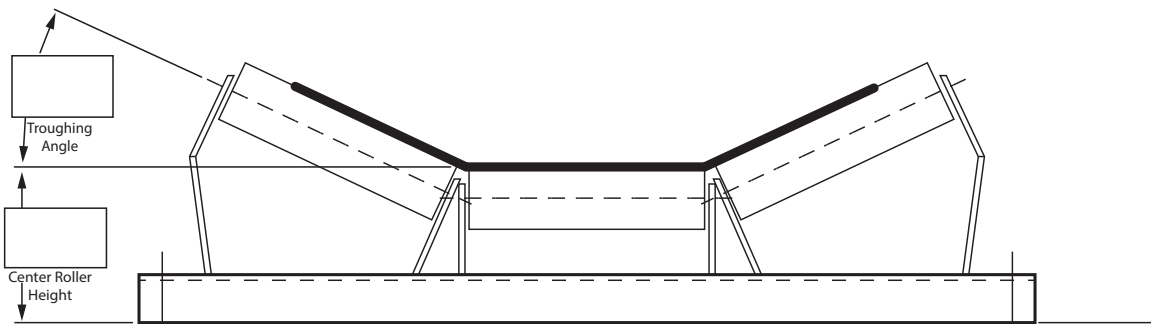
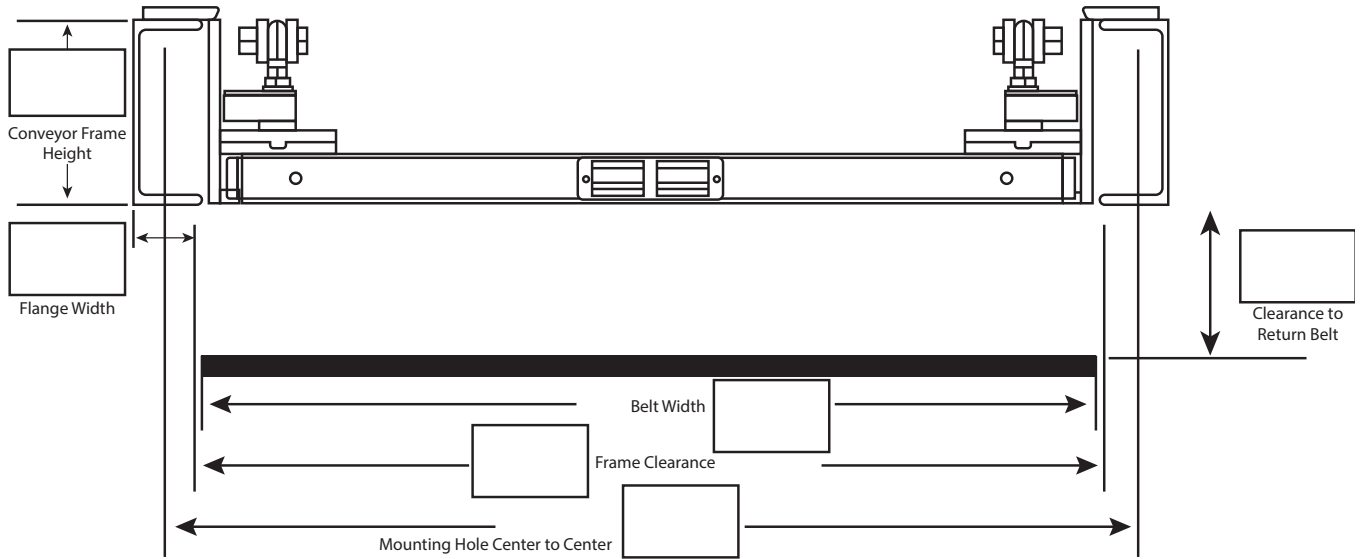
## CONVEYOR

Application:  Inventory  Load out  Control  Blending  
Profile:  Horizontal  Incline/Decline \_\_\_\_\_ (deg)  Variable Incline \_\_\_\_\_ (deg)  Curved  
Automatic Tensioning Apparatus:  Yes  No  
Access Side: (looking in direction of belt travel)  Left  Right  Both  
Area Classification: Zone \_\_\_\_\_ Class \_\_\_\_\_ Division \_\_\_\_\_  
Does the current conveyor have scale grade idlers?  Yes  No  
Belt Speed (ft/m per minute): \_\_\_\_\_ min. \_\_\_\_\_ max.  
Condition of belt? \_\_\_\_\_  
What type of splice does the belt have? \_\_\_\_\_  
Belt Length: \_\_\_\_\_ m/ft Belt Width: \_\_\_\_\_ mm/in Belt Cleaning Device:  Yes  No  
Idler Diameter: \_\_\_\_\_ mm/in Idler Spacing: \_\_\_\_\_ mm/in Tail Pulley Diameter: \_\_\_\_\_ mm/in  
Trough Angle: \_\_\_\_\_ degrees Conveyor Length: \_\_\_\_\_ ft/m  
(Supply sketch where possible)  Sketch Attached

## INTEGRATOR REQUIREMENTS

Enclosure Type:  Field Mount/Universal  Panel Mount  Wall Mount  
Power Available:  115V  230V  9-36VDC  
Communications:  AB Remote I/O  Device Net  Profibus-DP  Ethernet IP  
 Analog Output  RS-232 (standard)  Ethernet TCP/IP  Control Net  
Remote Display Rate:  Yes  No Remote Display Totalizer:  Yes  No  
Speed Sensor:  Speed Wheel  Shaft Encoder  Magnet

# Belt Scale Application





# Bench Scales

## TABLE OF CONTENTS

<b>BenchMark® SL</b> ..... 162	<b>Ishida iPC Series</b> ..... 193
<i>Light-capacity Bench Scale</i>	<i>Portable Bench Scale</i>
<b>BenchMark® CW-80B</b> ..... 163	<b>Versa-portion®</b> ..... 194
<i>Light-capacity Bench Scale</i>	<i>Compact Scale</i>
<b>BenchMark® SL/HE</b> ..... 164	<b>BenchPro™ BP-P</b> ..... 195
<i>Spring Loaded/Hostile Environment Bench Scale</i>	<i>Postal Bench Scale</i>
<b>CW-90B</b> ..... 165	<b>BenchPro™ BP-S</b> ..... 196
<i>Light-capacity Bench Scale</i>	<i>Shipping Bench Scale</i>
<b>CW-90XB</b> ..... 166	<b>BenchPro™ BP-SB</b> ..... 197
<i>Light-capacity Bench Scale</i>	<i>Shipping Bench Scale with Ball Top Shroud</i>
<b>Ready-n-Weigh Bench Scale System</b> ..... 167	<b>BenchPro™ BP-SR</b> ..... 198
<i>CW-90B Bench Scale and 380 Indicator Package</i>	<i>Shipping Bench Scale with Roller Conveyor</i>
<b>Ready-n-Weigh Bench Scale System</b> ..... 168	<b>BenchMark® MSC-10</b> ..... 199
<i>CW-90B Bench Scale and 480/480 Plus Indicator Package</i>	<i>Mobile Scale Cart</i>
<b>Ready-n-Weigh Bench Scale System</b> ..... 170	<b>BenchMark® MSC-20</b> ..... 200
<i>CW-90B Bench Scale and 482/482 Plus Indicator Package</i>	<i>Mobile Scale Cart</i>
<b>Ready-n-Weigh Bench Scale System</b> ..... 172	<b>BenchMark® MSC-30</b> ..... 201
<i>CW-90B Bench Scale and 680 Indicator Package</i>	<i>Mobile Scale Cart</i>
<b>Ready-n-Weigh Bench Scale System</b> ..... 173	<b>BenchMark® MSC-40</b> ..... 202
<i>CW-90XB Bench Scale and 380 Indicator Package</i>	<i>Mobile Scale Cart</i>
<b>Ready-n-Weigh Bench Scale System</b> ..... 174	<b>Bench Scale Ball Transfer</b>
<i>CW-90XB Bench Scale and 480/480 Plus Indicator Package</i>	<b>and Roller Conveyor</b> ..... 203
<b>Ready-n-Weigh Bench Scale System</b> ..... 176	<b>Bench Scale Columns</b> ..... 204
<i>CW-90XB Bench Scale and 482/482 Plus Indicator Package</i>	
<b>Ready-n-Weigh Bench Scale System</b> ..... 178	
<i>CW-90XB Bench Scale and 680 Indicator Package</i>	
<b>BenchMark® MS</b> ..... 179	
<i>Mild Steel Bench Scale</i>	
<b>BenchMark® SS</b> ..... 180	
<i>Stainless Steel Bench Scale</i>	
<b>BenchMark® HE</b> ..... 181	
<i>Hostile Environment Series Bench Scale</i>	
<b>BenchMark® HE-X</b> ..... 182	
<i>Hostile Environment Extreme Bench Scale</i>	
<b>BenchMark® LP</b> ..... 184	
<i>Low-Profile Bench Scale</i>	
<b>BenchMark® HD</b> ..... 185	
<i>Heavy-Duty Bench Scale</i>	
<b>BenchMark® HD-1 Aviation</b> ..... 186	
<i>Heavy Duty Bench Scale</i>	
<b>BenchMark® HD-2 Aviation</b> ..... 188	
<i>Heavy Duty Bench Scale</i>	
<b>BenchMark® HD-3 Aviation</b> ..... 190	
<i>Heavy Duty Bench Scale</i>	
<b>BenchMark® HDP</b> ..... 192	
<i>Portable Heavy-Duty Bench Scale</i>	

Product names, logos, brands and other trademarks featured or referred to within this publication are the property of their respective trademark holders.

# BenchMark® SL

Light-capacity Bench Scale

BENCH SCALES



## Standard Features

- NTEP Certified IP66 aluminum load cell
- 304 stainless steel construction
- LifeGuard™ base design isolates load cell from overloads and shock loads for added durability
- Specially designed adjustable support feet provide exceptional traction and won't scratch surfaces

## Specifications

**Load Cell, NTEP Certified:**  
IP66 aluminum and environmentally sealed

**Output Impedance:**  
350 ohm

**Maximum Overload:**  
200%

**Overload Protection:**  
Shock-absorbing spider

**Scale Frame:**  
AISI304L, straight line finish, Ra= 45 +/- 10

**Scale Cover:**  
AISI304L, straight line finish, Ra= 45 +/- 10

**Cable Length:**  
10 ft (3 m)

**Compensated Temperature Range:**  
14 °F to 104 °F (-10 °C to 40 °C)

**Warranty:**  
Two-year limited

**Approvals:**  
NTEP 95-072, Class III 5,000 d  
Measurement Canada AM-5082  
Load cell is cFMus approved

## Approvals



## Part Number/Price

Part #	Platform Capacity	Dimensions (L × W × H)	Est. Weight	Price
18575*	2 lb (1 kg)	10 × 10 × 3.15 in	13 lb	\$710.00
18576	5 lb (2.5 kg)	10 × 10 × 3.15 in	13 lb	\$710.00
18577	10 lb (5 kg)	10 × 10 × 3.15 in	13 lb	\$710.00
18578	20 lb (10 kg)	10 × 10 × 3.15 in	13 lb	\$710.00
18579	30 lb (15 kg)	10 × 10 × 3.15 in	13 lb	\$710.00
32914	30 lb (15 kg)	12 × 12 × 3.25 in	14 lb	\$800.00
32913	50 lb (25 kg)	12 × 12 × 3.25 in	14 lb	\$800.00
35198	100 lb (50 kg)	12 × 12 × 3.25 in	14 lb	\$800.00

## Options/Accessories

Part #	Description	Catalog Page #
Consult	Scale columns	See page 204
Consult	Ball transfer and roller conveyor scale tops	See page 203
Consult	Mobile scale carts	See page 199 to page 202

\*Non-NTEP Certified or Measurement Canada approved

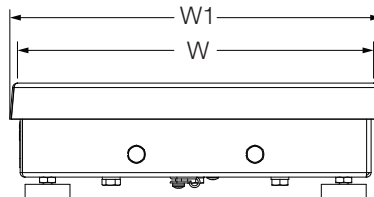
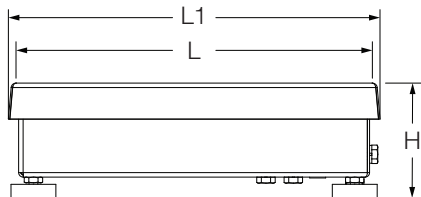
## Dimensions

BenchMark SL			
10 × 10 in			
H	3.15 in	W	10.00 in
L	10.00 in	W1	10.25 in
L1	10.25 in		

Note: 1 in = 25.4 mm

12 × 12 in			
H	3.25 in	W	12.00 in
L	12.00 in	W1	12.25 in
L1	12.25 in		

Note: 1 in = 25.4 mm





# BenchMark® CW-80B

Light-capacity Bench Scale



## Standard Features

- NTEP Certified, IP67 stainless steel load cell
- 304 stainless steel construction
- LifeGuard™ base design isolates load cell from overloads and shock loads for added durability
- Specially designed adjustable support feet provide exceptional traction and won't scratch surfaces

## Specifications

**Load Cell, NTEP Certified:**  
IP67 stainless steel and environmentally sealed

**Output Impedance:**  
350 ohm

**Maximum Overload:**  
200%

**Overload Protection:**  
Shock-absorbing spider

**Scale Frame:**  
AISI304L, straight line finish, Ra= 45 +/- 10

**Scale Cover:**  
AISI304L, straight line finish, Ra= 45 +/- 10

**Cable Length:**  
10 ft (3 m)

**Compensated Temperature Range:**  
14 °F to 104 °F (-10 °C to 40 °C)

**Warranty:**  
Two-year limited

**Approvals:**  
NTEP 96-107, Class III, 3000 d  
Measurement Canada AM-5156  
Load cell is FM approved

## Approvals



Measurement  
Canada  
Approved



## Part Number/Price

Part #	Platform Capacity	Dimensions (L × W × H)	Est. Weight	Price
35075	6 lb (3 kg)	10 × 10 × 3.15 in	13 lb	\$865.00
35076	10 lb (5 kg)	10 × 10 × 3.15 in	13 lb	\$865.00
35077	15 lb (7 kg)	10 × 10 × 3.15 in	13 lb	\$865.00
35078	30 lb (15 kg)	10 × 10 × 3.15 in	13 lb	\$865.00
35079	30 lb (15 kg)	12 × 12 × 3.25 in	14 lb	\$955.00
35080	60 lb (30 kg)	12 × 12 × 3.25 in	14 lb	\$955.00

## Options/Accessories

Part #	Description	Catalog Page #
Consult	Scale columns	See page 204
Consult	Ball transfer and roller conveyor scale tops	See page 203
Consult	Mobile scale carts	See page 199 to page 202

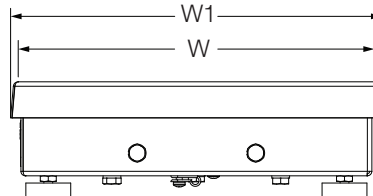
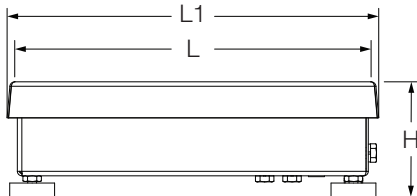
## Dimensions

CW-80B			
10 × 10 in			
H	3.15 in	W	10.00 in
L	10.00 in	W1	10.25 in
L1	10.25 in		

Note: 1 in = 25.4 mm

12 × 12 in			
H	3.25 in	W	12.00 in
L	12.00 in	W1	12.25 in
L1	12.25 in		

Note: 1 in = 25.4 mm



# BenchMark® SL/HE

Spring Loaded/Hostile Environment Bench Scale

BENCH SCALES



## Standard Features

- NTEP Certified, IP69K stainless steel, hermetically sealed load cell
- 304 stainless steel construction
- LifeGuard™ base design isolates load cell from overloads and shock loads for added durability
- Specially designed adjustable support feet provide exceptional traction and won't scratch surfaces

## Specifications

**Load Cell, NTEP Certified:**  
IP69K stainless steel, hermetically sealed

**Output Impedance:**  
350 ohm

**Maximum Overload:**  
200%, except 150% for 30 lb

**Overload Protection:**  
Shock-absorbing spider

**Scale Frame:**  
AISI304L, straight line finish, Ra= 45 +/- 10

**Scale Cover:**  
AISI304L, straight line finish, Ra= 45 +/- 10

**Cable Length:**  
10 ft (3 m)

**Compensated Temperature Range:**  
14 °F to 104 °F (-10 °C to 40 °C)

**Warranty:**  
Three-year limited  
(includes water ingress)

**Approvals:**  
NTEP 95-072, Class III 5,000 d  
Measurement Canada AM-5082  
Load cell is FM approved

## Approvals



## Part Number/Price

Part #	Platform Capacity	Dimensions (L × W × H)	Est. Weight	Price
86942	5 lb (2.5 kg)	10 × 10 × 3.15 in	13 lb	\$1,288.00
86943	10 lb (5 kg)	10 × 10 × 3.15 in	13 lb	\$1,288.00
86944	20 lb (10 kg)	10 × 10 × 3.15 in	13 lb	\$1,288.00
86945	30 lb (15 kg)	10 × 10 × 3.15 in	13 lb	\$1,288.00
86946	30 lb (15 kg)	12 × 12 × 3.25 in	13 lb	\$1,378.00
86947	50 lb (25 kg)	12 × 12 × 3.25 in	14 lb	\$1,378.00
86948	100 lb (50 kg)	12 × 12 × 3.25 in	14 lb	\$1,378.00

## Options/Accessories

Part #	Description	Catalog Page #
Consult	Scale columns	See page 204
Consult	Ball transfer and roller conveyor scale tops	See page 203
Consult	Mobile scale carts	See page 199 to page 202

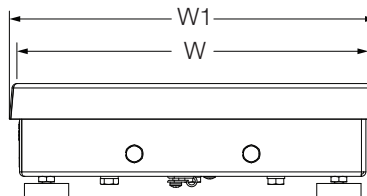
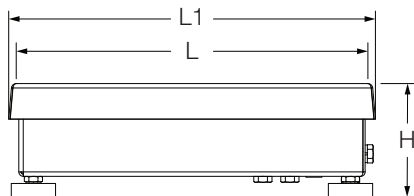
## Dimensions

BenchMark SL/HE			
10 × 10 in			
H	3.15 in	W	10.00 in
L	10.00 in	W1	10.25 in
L1	10.25 in		

Note: 1 in = 25.4 mm

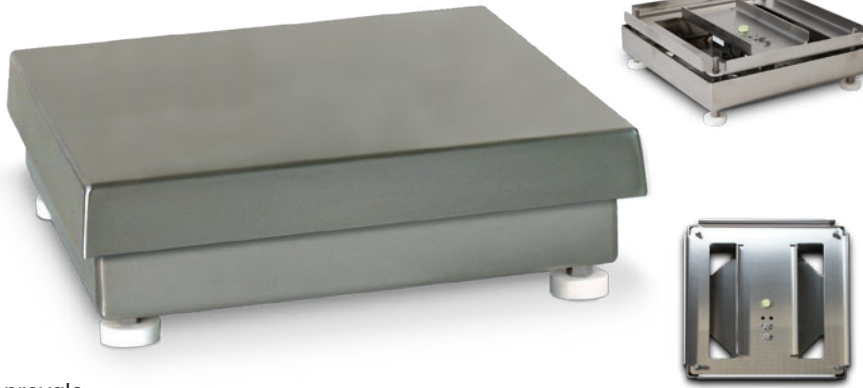
12 × 12 in			
H	3.25 in	W	12.00 in
L	12.00 in	W1	12.25 in
L1	12.25 in		

Note: 1 in = 25.4 mm



# CW-90B

Light-capacity Bench Scale



## Standard Features

- IP67 aluminum environmentally sealed load cell
- 304 stainless steel construction
- Meets HACCP requirements
- Five-point overload protection
- Specially designed adjustable support feet provide exceptional traction and will not scratch surfaces

## Specifications

### Load Cell, NTEP Certified:

IP67 aluminum, environmentally sealed

### Output Impedance:

350 ohm

### Maximum Overload:

180% to 200% depending on capacity

### Overload Protection:

Five-point, independently adjusted

### Scale Frame:

AISI304L, straight line finish, Ra= 45 +/- 10

### Scale Cover:

AISI304L, straight line finish, Ra= 45 +/- 10

### Cable Length:

34 in or 10 ft

### Compensated Temperature Range:

14 °F to 104 °F (-10 °C to 40 °C)

### Warranty:

Two-year limited

### Approvals:

NTEP 95-072, Class III 5,000 d  
Measurement Canada AM-5082  
NSF  
Load cell is cMus Approved

## Approvals



Measurement  
Canada  
Approved



## Part Number/Price

Part #	Platform Capacity	Dimensions (L × W × H)	Est. Weight	Price	
<b>10 ft cable</b>	<b>34 in cable</b>				
<b>112599</b>	<b>106137</b>	5 lb (2.5 kg)	10 × 10 × 4.25 in	14 lb	\$660.00
<b>112601</b>	<b>106138</b>	10 lb (5 kg)	10 × 10 × 4.25 in	14 lb	\$660.00
<b>112603</b>	<b>106139</b>	25 lb (10 kg)	10 × 10 × 4.25 in	14 lb	\$660.00
<b>112605</b>	<b>106140</b>	25 lb (10 kg)	12 × 12 × 4.25 in	17 lb	\$750.00
<b>112607</b>	<b>106141</b>	50 lb (25 kg)	12 × 12 × 4.25 in	17 lb	\$750.00
<b>112609</b>	<b>106142</b>	100 lb (50 kg)	12 × 12 × 4.25 in	17 lb	\$750.00

## Options/Accessories

Part #	Description	Catalog Page #
<b>Consult</b>	Scale columns	See page 204
<b>Consult</b>	Ball transfer and roller conveyor scale tops	See page 203
<b>Consult</b>	Mobile scale carts	See page 199 to page 202

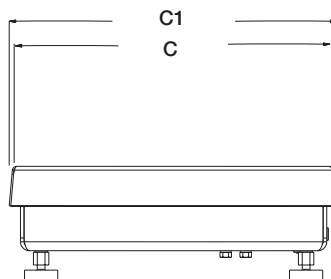
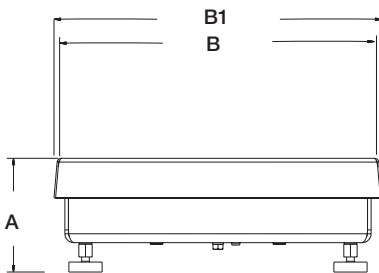
## Dimensions

CW-90B			
10 × 10 in			
A	4.25 in	C	10.00 in
B	10.00 in	C1	10.25 in
B1	10.25 in		

Note: 1 in = 25.4 mm

12 × 12 in			
A	4.25 in	C	12.00 in
B	12.00 in	C1	12.25 in
B1	12.25 in		

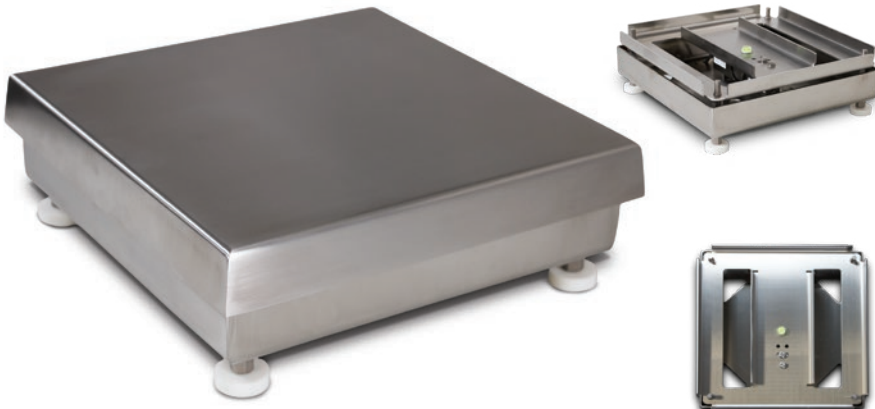
Note: 1 in = 25.4 mm



# CW-90XB

Light-capacity Bench Scale

BENCH SCALES



## Standard Features

- IP69K, stainless steel hermetically sealed load cell
- 304 stainless steel construction
- Meets HACCP requirements
- Five-point overload protection
- Specially designed adjustable support feet provide exceptional traction and will not scratch surfaces

## Specifications

**Load Cell, NTEP Certified:**  
IP69K stainless steel and hermetically sealed

**Output Impedance:**  
350 ohm

**Maximum Overload:**  
180% to 200% depending on capacity

**Overload Protection:**  
Five-point, independently adjusted

**Scale Frame:**  
AISI304L, straight line finish, Ra= 45 +/- 10

**Scale Cover:**  
AISI304L, straight line finish, Ra= 45 +/- 10

**Cable Length:**  
34 in or 10 ft

**Compensated Temperature Range:**  
14 °F to 104 °F (-10 °C to 40 °C)

**Warranty:**  
Three-year limited  
(includes water ingress)

**Approvals:**  
NTEP 95-072, Class III 5,000 d  
Measurement Canada AM-5082  
NSF  
Load cell is FM Approved

## Approvals



## Part Number/Price

Part #	Platform Capacity	Dimensions (L x W x H)	Est. Weight	Price	
10 ft Cable	34 in Cable				
112600	106143	5 lb (2.5 kg)	10 x 10 x 4.25 in	14 lb	\$1,222.00
112602	106144	10 lb (5 kg)	10 x 10 x 4.25 in	14 lb	\$1,222.00
112604	106145	25 lb (10 kg)	10 x 10 x 4.25 in	14 lb	\$1,222.00
112606	106146	25 lb (10 kg)	12 x 12 x 4.25 in	17 lb	\$1,312.00
112608	106147	50 lb (25 kg)	12 x 12 x 4.25 in	17 lb	\$1,312.00
112610	106148	100 lb (50 kg)	12 x 12 x 4.25 in	17 lb	\$1,312.00

## Options/Accessories

Part #	Description	Catalog Page #
Consult	Scale columns	See page 204
Consult	Ball transfer and roller conveyor scale tops	See page 203
Consult	Mobile scale carts	See page 199 to page 202

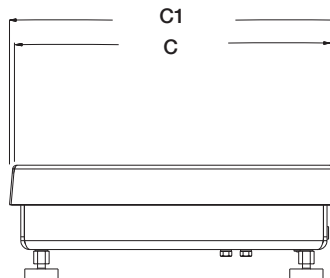
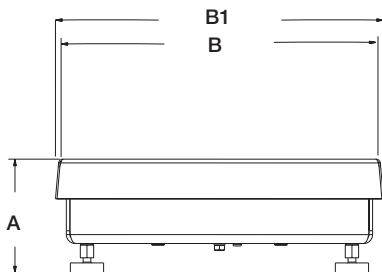
## Dimensions

CW-90XB			
10 x 10 in			
A	4.25 in	C	10.00 in
B	10.00 in	C1	10.25 in
B1	10.25 in		

Note: 1 in = 25.4 mm

12 x 12 in			
A	4.25 in	C	12.00 in
B	12.00 in	C1	12.25 in
B1	12.25 in		

Note: 1 in = 25.4 mm



# Ready-n-Weigh Bench Scale System

CW-90B Bench Scale and 380 Indicator Package

BENCH SCALES



## Approvals



Measurement  
Canada  
Approved



## CW-90B with 380 Package

Part #	Capacity	Dimensions (L x W x H)	Est. Weight	Price
208528	5 lb (2.5 kg)	10 x 10 x 4.25 in	24 lb	\$1,390.00
208529	10 lb (5 kg)	10 x 10 x 4.25 in	24 lb	\$1,390.00
208530	25 lb (10 kg)	10 x 10 x 4.25 in	24 lb	\$1,390.00
208531	25 lb (10 kg)	12 x 12 x 4.25 in	27 lb	\$1,480.00
208532	50 lb (25 kg)	12 x 12 x 4.25 in	27 lb	\$1,480.00
208533	100 lb (50 kg)	12 x 12 x 4.25 in	27 lb	\$1,480.00

## Options/Accessories

Part #	Description	Price
206433†	External AC adapter	\$54.00
204258	Real-time clock module	\$127.00

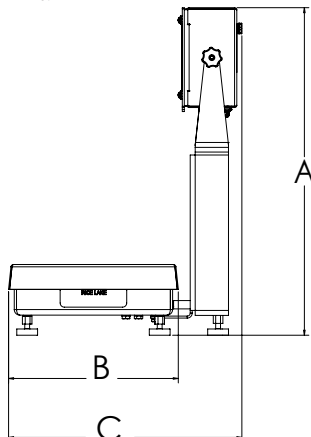


† US plug (NA) - Type A

## Dimensions

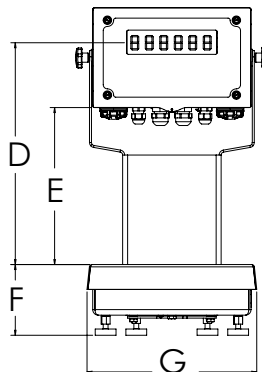
CW-90B Bench Scale and 380 Indicator			
10 x 10 in			
A	19.68 in	E	9.43 in
B	10.20 in	F	4.25 in
C	14.02 in	G	10.20 in
D	13.36 in		

Note: 1 in = 25.4 mm



12 x 12 in			
A	19.56 in	E	9.30 in
B	12.38 in	F	4.25 in
C	16.10 in	G	12.35 in
D	13.23 in		

Note: 1 in = 25.4 mm



CW-90B with 380 indicator

## Standard Features

- Package includes scale with IP67 aluminum environmentally sealed load cell with an indicator and 12-inch column
- Factory calibrated with indicator setup and configured for 5,000 divisions
- Scale includes rubber feet to provide exceptional traction and avoid scratching surfaces along with removable top cover for ease of cleaning
- Standard RS-232 serial port for connecting to a variety of peripherals
- Powered by four alkaline C-cell batteries (not included) or external AC adapter (not included)

## CW-90B Specifications

### Load Cell, NTEP Certified:

IP67 aluminum, environmentally sealed

### Scale Construction:

304 stainless steel

### Maximum Overload:

180% to 200% depending on capacity

### Overload Protection:

Five-point, independently adjusted

### Scale Frame:

AISI304L, straight line finish, Ra= 45 +/- 10

### Scale Cover:

AISI304L, straight line finish, Ra= 45 +/- 10

### Cable Length:

34 in

### Compensated Temperature Range:

14 °F to 104 °F (-10 °C to 40 °C)

### Approvals:

NTEP 21-051, Class III 5,000 d  
Measurement Canada AM-6184

CE

cULus

### Warranty:

Two-year limited

## 380 Specifications

### Power:

Batteries: 4 alkaline C-cell  
Optional: 115/230 VAC to 12 VDC adapter

### Battery Life:

45 hours with 4 x 350 ohm load cells, low backlight

### Communication Ports:

One RS-232 (three-wire)  
One USB 2.0

### Display:

Six 1 in (25 mm) tall, LCD digits

### Status Annunciators:

g, lb, t, tn, kg, oz, battery level, PT, LT, gross, zero, unstable, net

### Keys/Buttons:

5 tactile buttons

### Rating/Material:

Enclosure: IP66, 304 Stainless steel

### Approvals:

NTEP 21-051  
Measurement Canada AM-6184

CE Approved

cULus Listed

### Warranty:

Two-year limited

# Ready-n-Weigh Bench Scale System

CW-90B Bench Scale and 480/480 Plus Indicator Package

BENCH SCALES



Scale and Indicator Package

## Standard Features

- Package includes scale with IP67 aluminum environmentally sealed load cell with an indicator and 12-inch column
- Factory calibrated with indicator setup and configured for 5,000 divisions
- Scale includes rubber feet to provide exceptional traction and avoid scratching surfaces along with removable top cover for ease of cleaning
- AC power 100 to 240 VAC
- Numeric keypad (480 Plus)
- Battery backed time and date
- Standard RS-232 serial ports for connecting to a variety of peripherals

## CW-90B Specifications

### Load Cell, NTEP Certified:

IP67 aluminum, environmentally sealed

### Scale Construction:

304 stainless steel

### Maximum Overload:

180% to 200% depending on capacity

### Overload Protection:

Five-point, independently adjusted

### Scale Frame:

AISI304L, straight line finish, Ra= 45 +/- 10

### Scale Cover:

AISI304L, straight line finish, Ra= 45 +/- 10

### Cable Length:

34 in

### Compensated Temperature Range:

14 °F to 104 °F (-10 °C to 40 °C)

### Approvals:

NTEP 12-123, Class III 5,000 d  
Measurement Canada AM-5892C  
CE  
cULus

### Warranty:

Two-year limited

## 480/480 Plus Specifications

### Communication Ports:

Com 1: RS-232 full duplex  
Com 2: RS-232 full duplex or 20 mA simplex, continuous  
Both ports 1200, 2400, 4800, 9600, 19200, 38400 baud seven or eight data bits, even, odd or no parity

### Display:

LED display 0.8 in (20 mm), six-digit, seven-segment

### Status Annunciators:

Gross, net, center of zero, standstill, lb, kg, tare, preset tare

### Keys/Buttons:

Flat membrane panel, embossed keys, tactile feel

### Rating/Material:

Enclosure: NEMA Type 4X/IP66, heavy-gauge stainless steel

### Approvals:

NTEP 12-123  
Measurement Canada AM-5892C  
CE Marked  
UL/cUL Listed

### Warranty:

Two-year limited

## Approvals



Measurement Canada Approved



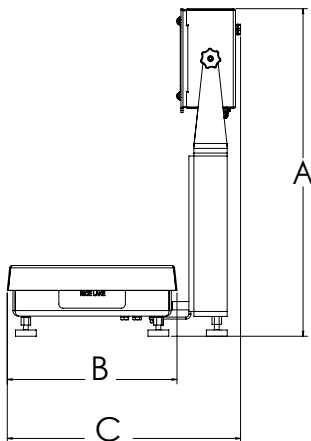
## Dimensions

### CW-90B Bench Scale and 480/480 Plus Indicator

#### 10 × 10 in

A	19.50 in	E	9.25 in
B	10.25 in	F	4.25 in
C	14.53 in	G	10.25 in
D	13.25 in		

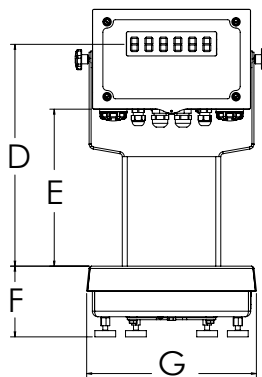
Note: 1 in = 25.4 mm



#### 12 × 12 in

A	19.50 in	E	9.25 in
B	12.25 in	F	4.25 in
C	16.53 in	G	12.25 in
D	13.25 in		

Note: 1 in = 25.4 mm



CW-90B with 480 indicator



# Ready-n-Weigh Bench Scale System

CW-90B Bench Scale and 480/480 Plus Indicator Package

## CW-90B with 480 Package

Part #	Platform Capacity	Dimensions (L × W × H)	Est. Weight	Price
<b>115 VAC, LED, US Plug-Type B</b>				
201157	5 lb (2.5 kg)	10 × 10 × 4.25 in	24 lb	\$1,650.00
201158	10 lb (5 kg)	10 × 10 × 4.25 in	24 lb	\$1,650.00
201159	25 lb (10 kg)	10 × 10 × 4.25 in	24 lb	\$1,650.00
201160	25 lb (10 kg)	12 × 12 × 4.25 in	27 lb	\$1,740.00
201161	50 lb (25 kg)	12 × 12 × 4.25 in	27 lb	\$1,740.00
201162	100 lb (50 kg)	12 × 12 × 4.25 in	27 lb	\$1,740.00
<b>90-264 VAC, LED, Euro Plug-Type E</b>				
201169	5 lb (2.5 kg)	10 × 10 × 4.25 in	24 lb	\$1,650.00
201170	10 lb (5 kg)	10 × 10 × 4.25 in	24 lb	\$1,650.00
201171	25 lb (10 kg)	10 × 10 × 4.25 in	24 lb	\$1,650.00
201172	25 lb (10 kg)	12 × 12 × 4.25 in	27 lb	\$1,740.00
201173	50 lb (25 kg)	12 × 12 × 4.25 in	27 lb	\$1,740.00
201174	100 lb (50 kg)	12 × 12 × 4.25 in	27 lb	\$1,740.00

## CW-90B with 480 Plus Package

Part #	Platform Capacity	Dimensions (L × W × H)	Est. Weight	Price
<b>115 VAC, LED, Numeric keypad, US Plug-Type B</b>				
201163	5 lb (2.5 kg)	10 × 10 × 4.25 in	24 lb	\$1,650.00
201164	10 lb (5 kg)	10 × 10 × 4.25 in	24 lb	\$1,650.00
201165	25 lb (10 kg)	10 × 10 × 4.25 in	24 lb	\$1,650.00
201166	25 lb (10 kg)	12 × 12 × 4.25 in	27 lb	\$1,740.00
201167	50 lb (25 kg)	12 × 12 × 4.25 in	27 lb	\$1,740.00
201168	100 lb (50 kg)	12 × 12 × 4.25 in	27 lb	\$1,740.00
<b>90-264 VAC, LED, Numeric keypad, Euro Plug-Type E</b>				
201175	5 lb (2.5 kg)	10 × 10 × 4.25 in	24 lb	\$1,650.00
201176	10 lb (5 kg)	10 × 10 × 4.25 in	24 lb	\$1,650.00
201177	25 lb (10 kg)	10 × 10 × 4.25 in	24 lb	\$1,650.00
201178	25 lb (10 kg)	12 × 12 × 4.25 in	27 lb	\$1,740.00
201179	50 lb (25 kg)	12 × 12 × 4.25 in	27 lb	\$1,740.00
201180	100 lb (50 kg)	12 × 12 × 4.25 in	27 lb	\$1,740.00



† US plug (NA) - Type B



†† Euro Plug - Type E

# Ready-n-Weigh Bench Scale System

CW-90B Bench Scale and 482/482 Plus Indicator Package

BENCH SCALES



## Approvals



Measurement  
Canada  
Approved



## Dimensions

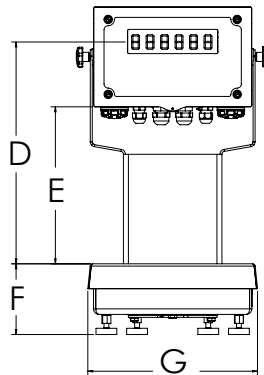
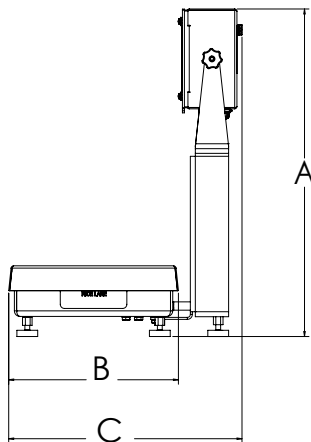
### CW-90B Bench Scale and 482/482 Plus Indicator

10 × 10 in		
A	19.50 in	E 9.25 in
B	10.25 in	F 4.25 in
C	14.53 in	G 10.25 in
D	13.25 in	

Note: 1 in = 25.4 mm

12 × 12 in		
A	19.50 in	E 9.25 in
B	12.25 in	F 4.25 in
C	16.53 in	G 12.25 in
D	13.25 in	

Note: 1 in = 25.4 mm



CW-90B with 482 indicator

## Standard Features

- Package includes scale with IP67 aluminum environmentally sealed load cell with an indicator and 12-inch column
- Factory calibrated with indicator setup and configured for 5,000 divisions
- Scale includes rubber feet to provide exceptional traction and avoid scratching surfaces along with removable top cover for ease of cleaning
- AC power 100 to 240 VAC
- LCD backlit indicator display for a variety of environments
- Battery backed time and date
- Standard RS-232 serial ports for connecting to a variety of peripherals

## CW-90B Specifications

### Load Cell, NTEP Certified:

IP67 aluminum, environmentally sealed

### Scale Construction:

304 stainless steel

### Maximum Overload:

180% to 200% depending on capacity

### Overload Protection:

Five-point, independently adjusted

### Scale Frame:

AISI304L, straight line finish, Ra= 45 +/- 10

### Scale Cover:

AISI304L, straight line finish, Ra= 45 +/- 10

### Cable Length:

34 in

### Compensated Temperature Range:

14 °F to 104 °F (-10 °C to 40 °C)

### Approvals:

NTEP 12-123, Class III 5,000 d

Measurement Canada AM-5892C

CE

cULus

### Warranty:

Two-year limited

## 482/482 Plus Specifications

### Communication Ports:

Com 1: RS-232 full duplex

Com 2: RS-232 full duplex or 20 mA simplex, continuous

Both ports 1200, 2400, 4800, 9600, 19200, 38400 baud seven or eight data bits, even, odd or no parity

### Display:

LCD backlit display, transmissive/transflective

0.8 in (20 mm), six-digit, seven-segment

### Status Annunciators:

Gross, net, center of zero, standstill, lb, kg, tare, preset tare

### Keys/Buttons:

Flat membrane panel, embossed keys, tactile feel

### Rating/Material:

Enclosure: NEMA Type 4X/IP66, heavy-gauge stainless steel

### Approvals:

NTEP 12-123

Measurement Canada AM-5892C

CE Marked

cULus Listed

### Warranty:

Two-year limited

# Ready-n-Weigh Bench Scale System

CW-90B Bench Scale and 482/482 Plus Indicator Package

BENCH SCALES

## CW-90B with 482 Package

Part #	Platform Capacity	Dimensions (L x W x H)	Est. Weight	Price
<b>115 VAC, LCD, US Plug-Type B</b>				
201463	5 lb (2.5 kg)	10 x 10 x 4.25 in	24 lb	\$1,780.00
201464	10 lb (5 kg)	10 x 10 x 4.25 in	24 lb	\$1,780.00
201465	25 lb (10 kg)	10 x 10 x 4.25 in	24 lb	\$1,780.00
201466	25 lb (10 kg)	12 x 12 x 4.25 in	27 lb	\$1,870.00
201467	50 lb (25 kg)	12 x 12 x 4.25 in	27 lb	\$1,870.00
201468	100 lb (50 kg)	12 x 12 x 4.25 in	27 lb	\$1,870.00
<b>90-264 VAC, LCD, Euro Plug-Type E</b>				
201480	5 lb (2.5 kg)	10 x 10 x 4.25 in	24 lb	\$1,780.00
201485	10 lb (5 kg)	10 x 10 x 4.25 in	24 lb	\$1,780.00
201486	25 lb (10 kg)	10 x 10 x 4.25 in	24 lb	\$1,780.00
201487	25 lb (10 kg)	12 x 12 x 4.25 in	27 lb	\$1,870.00
201488	50 lb (25 kg)	12 x 12 x 4.25 in	27 lb	\$1,870.00
201489	100 lb (50 kg)	12 x 12 x 4.25 in	27 lb	\$1,870.00

## CW-90B with 482 Package

Part #	Platform Capacity	Dimensions (L x W x H)	Est. Weight	Price
<b>115 VAC, LCD, Numeric keypad, US Plug-Type B</b>				
201469	5 lb (2.5 kg)	10 x 10 x 4.25 in	24 lb	\$1,780.00
201475	10 lb (5 kg)	10 x 10 x 4.25 in	24 lb	\$1,780.00
201476	25 lb (10 kg)	10 x 10 x 4.25 in	24 lb	\$1,780.00
201477	25 lb (10 kg)	12 x 12 x 4.25 in	27 lb	\$1,870.00
201478	50 lb (25 kg)	12 x 12 x 4.25 in	27 lb	\$1,870.00
201479	100 lb (50 kg)	12 x 12 x 4.25 in	27 lb	\$1,870.00
<b>90-264 VAC, LCD, Numeric keypad, Euro Plug-Type E</b>				
201490	5 lb (2.5 kg)	10 x 10 x 4.25 in	24 lb	\$1,780.00
201491	10 lb (5 kg)	10 x 10 x 4.25 in	24 lb	\$1,780.00
201492	25 lb (10 kg)	10 x 10 x 4.25 in	24 lb	\$1,780.00
201493	25 lb (10 kg)	12 x 12 x 4.25 in	27 lb	\$1,870.00
201494	50 lb (25 kg)	12 x 12 x 4.25 in	27 lb	\$1,870.00
201495	100 lb (50 kg)	12 x 12 x 4.25 in	27 lb	\$1,870.00



\* US plug (NA) - Type B



\*\* Euro Plug - Type E

# Ready-n-Weigh Bench Scale System

CW-90B Bench Scale and 680 Indicator Package

BENCH SCALES



Scale and Indicator Package

## Approvals



Measurement Canada Approved



## CW-90B with 680 Package

Part #	Platform Capacity	Dimensions (L × W × H)	Est. Weight	Price
<b>115-230 VAC, LED, Numeric, US Plug-Type B</b>				
201308	5 lb (2.5 kg)	10 × 10 × 4.25 in	24 lb	\$1,710.00
201309	10 lb (5 kg)	10 × 10 × 4.25 in	24 lb	\$1,710.00
201310	25 lb (10 kg)	10 × 10 × 4.25 in	24 lb	\$1,710.00
201311	25 lb (10 kg)	12 × 12 × 4.25 in	27 lb	\$1,800.00
201312	50 lb (25 kg)	12 × 12 × 4.25 in	27 lb	\$1,800.00
201313	100 lb (50 kg)	12 × 12 × 4.25 in	27 lb	\$1,800.00
<b>115-230 VAC, LED, Numeric, Euro Plug-Type E</b>				
201314	5 lb (2.5 kg)	10 × 10 × 4.25 in	24 lb	\$1,710.00
201315	10 lb (5 kg)	10 × 10 × 4.25 in	24 lb	\$1,710.00
201319	25 lb (10 kg)	10 × 10 × 4.25 in	24 lb	\$1,710.00
201320	25 lb (10 kg)	12 × 12 × 4.25 in	27 lb	\$1,800.00
201321	50 lb (25 kg)	12 × 12 × 4.25 in	27 lb	\$1,800.00
201322	100 lb (50 kg)	12 × 12 × 4.25 in	27 lb	\$1,800.00



\* US plug (NA) - Type B

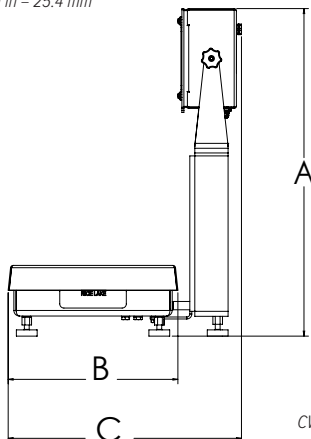


\*\* Euro Plug - Type E

## Dimensions

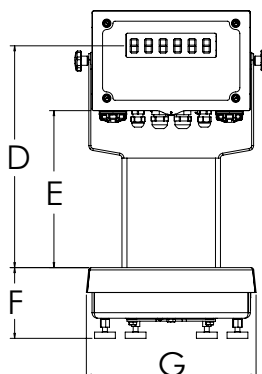
CW-90B Bench Scale and 680 Indicator			
10 × 10 in			
A	19.56 in	E	9.31 in
B	10.25 in	F	4.25 in
C	15.83 in	G	10.25 in
D	13.31 in		

Note: 1 in = 25.4 mm



12 × 12 in			
A	19.56 in	E	9.31 in
B	12.25 in	F	4.25 in
C	16.83 in	G	12.25 in
D	13.31 in		

Note: 1 in = 25.4 mm



CW-90B with 680 indicator

## Standard Features

- Package includes scale with IP67 aluminum environmentally sealed load cell with an indicator and 12-inch column
- Factory calibrated with indicator setup and configured for 5,000 divisions
- Scale includes rubber feet to provide exceptional traction and avoid scratching surfaces along with removable top cover for ease of cleaning
- AC power 100 to 240 VAC
- LCD backlit indicator display for a variety of environments
- Battery backed time and date
- Standard RS-232 serial ports for connecting to a variety of peripherals
- Ethernet TCP/IP comes standard

## CW-90B Specifications

### Load Cell, NTEP Certified:

IP67 aluminum and environmentally sealed

### Scale Construction:

304 stainless steel

### Maximum Overload:

180% to 200% depending on capacity

### Overload Protection:

Five-point, independently adjusted

### Scale Frame:

AISI304L, straight line finish, Ra= 45 +/- 10

### Scale Cover:

AISI304L, straight line finish, Ra= 45 +/- 10

### Cable Length:

34 in

### Compensated Temperature Range:

14 °F to 104 °F (-10 °C to 40 °C)

### Approvals:

NTEP 95-072, Class III 5,000 d

Measurement Canada AM-5082

CE

cULus

### Warranty:

Two-year limited

## 680 Specifications

### Communication Ports:

Two RS-232 (three-wire)

RS-485/422 (two-wire or four-wire)

Micro USB (device)

Ethernet TCP/IP (10/100)

### Display:

Seven 0.8-inch tall, seven-segment digits

### Status Annunciators:

Eight LED annunciators

### Keys/Buttons:

Flat membrane panel, tactile feel

(18 buttons plus ON/OFF)

### Rating/Material:

Rating: IP69K (IP66 with RJ45)

Material: AISI 304 Stainless Steel

### Approvals:

NTEP 19-021

Measurement Canada AM-6121C

cULus Listed

CE Marked

### Warranty:

Two-year limited

# Ready-n-Weigh Bench Scale System

CW-90XB Bench Scale and 380 Indicator Package

BENCH SCALES



## Approvals



Measurement  
Canada  
Approved



## CW-90XB with 380 Package

Part #	Capacity	Dimensions (L × W × H)	Est. Weight	Price
208543	5 lb (2.5 kg)	10 × 10 × 4.25 in	24 lb	\$1,952.00
208544	10 lb (5 kg)	10 × 10 × 4.25 in	24 lb	\$1,952.00
208545	25 lb (10 kg)	10 × 10 × 4.25 in	24 lb	\$1,952.00
208546	25 lb (10 kg)	12 × 12 × 4.25 in	27 lb	\$2,042.00
208547	50 lb (25 kg)	12 × 12 × 4.25 in	27 lb	\$2,042.00
208548	100 lb (50 kg)	12 × 12 × 4.25 in	27 lb	\$2,042.00

## Options/Accessories

Part #	Description	Price
206433†	External AC adapter	\$54.00
204258	Real-time clock module	\$127.00



† US plug (NA) - Type A

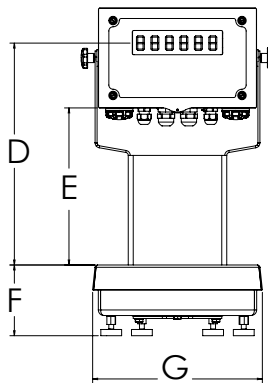
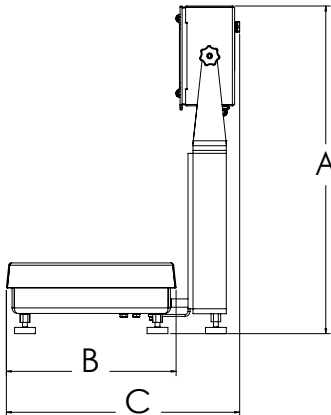
## Dimensions

CW-90XB Bench Scale and 380 Indicator			
10 × 10 in			
A	19.69 in	E	9.44 in
B	10.20 in	F	4.25 in
C	14.02 in	G	10.20 in
D	13.36 in		

Note: 1 in = 25.4 mm

12 × 12 in			
A	19.56 in	E	9.31 in
B	12.29 in	F	4.25 in
C	16.07 in	G	12.29 in
D	13.23 in		

Note: 1 in = 25.4 mm



CW-90XB with 380 indicator

## Standard Features

- Package includes scale with IP69K stainless steel hermetically sealed load cell with an indicator and 12-inch column
- Factory calibrated with indicator setup and configured for 5,000 divisions
- Scale includes rubber feet to provide exceptional traction and avoid scratching surfaces along with a removable top cover for ease of cleaning
- Powered by four alkaline C-cell batteries (not included) or external AC adapter (not included)
- Standard RS-232 serial port for connecting to a variety of peripherals

## CW-90XB Specifications

### Load Cell, NTEP Certified:

IP69K stainless steel and hermetically sealed

### Scale Construction:

304 stainless steel

### Maximum Overload:

180% to 200% depending on capacity

### Overload Protection:

Five-point, independently adjusted

### Scale Frame:

AISI304L, straight line finish, Ra= 45 +/- 10

### Scale Cover:

AISI304L, straight line finish, Ra= 45 +/- 10

### Cable Length:

34 in

### Compensated Temperature Range:

14 °F to 104 °F (-10 °C to 40 °C)

### Approvals:

NTEP 95-072, Class III 5,000 d

Measurement Canada AM-5082

Load cell is FM approved

### Warranty:

Three-year limited (includes water ingress)

## 380 Specifications

### Power:

Batteries: Four alkaline C-cell

Optional: 115/230 VAC to 12 VDC adapter

### Battery Life:

100 hours on alkaline batteries with one 350 ohm

load cell, no backlight

### Communication Ports:

One RS-232 (three-wire)

One USB 2.0

### Display:

Six 1-inch tall, LCD digits

### Status Annunciators:

g, lb, t, tn, kg, oz, battery level, PT, LT, gross, zero, unstable, net

### Keys/Buttons:

5 tactile buttons

### Rating/Material:

Enclosure: IP66, 304 Stainless steel

### Approvals:

NTEP 21-051

Measurement Canada AM-6184

CE Marked

cULus Listed

### Warranty:

Two-year limited

# Ready-n-Weigh Bench Scale System

CW-90XB Bench Scale and 480/480 Plus Indicator Package

BENCH SCALES



Scale and Indicator Package

## Standard Features

- Package includes scale with IP69K stainless steel hermetically sealed load cell with an indicator and 12-inch column
- Factory calibrated with indicator setup and configured for 5,000 divisions
- Scale includes rubber feet to provide exceptional traction and avoid scratching surfaces along with removable top cover for ease of cleaning
- AC power 100 to 240 VAC
- Numeric keypad (480 plus)
- Battery backed time and date
- Standard RS-232 serial ports for connecting to peripherals

## CW-90XB Specifications

### Load Cell, NTEP Certified:

IP69K stainless steel and hermetically sealed

### Scale Construction:

304 stainless steel

### Maximum Overload:

180% to 200% depending on capacity

### Overload Protection:

Five-point, independently adjusted

### Scale Frame:

AISI304L, straight line finish, Ra= 45 +/- 10

### Scale Cover:

AISI304L, straight line finish, Ra= 45 +/- 10

### Cable Length:

34 in

### Compensated Temperature Range:

14 °F to 104 °F (-10 °C to 40 °C)

### CW-90XB Approvals:

NTEP CC 95-072, Class III 5,000 d

Measurement Canada AM-5082

Load cell is FM approved

### Warranty:

Three-year limited (includes water ingress)

## 480/480 Plus Specifications

### Communication Ports:

Com 1: RS-232 full duplex

Com 2: RS-232 full duplex or 20 mA simplex, continuous

Both ports 1200, 2400, 4800, 9600, 19200, 38400 baud seven or eight data bits, even, odd or no parity

### Display:

LED display 0.8 in (20 mm), six-digit, seven-segment

### Status Annunciators:

Gross, net, center of zero, standstill, lb, kg, tare, preset tare

### Keys/Buttons:

Flat membrane panel, embossed keys, tactile feel

### Rating/Material:

Enclosure: NEMA Type 4X/IP66, heavy-gauge stainless steel

### Approvals:

NTEP 12-123

Measurement Canada AM-5892C

CE Marked

cULus Listed

### Warranty:

Two-year limited

## Approvals



Measurement  
Canada  
Approved



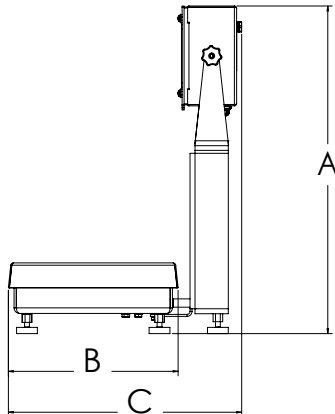
## Dimensions

### CW-90XB Bench Scale and 480/480 Plus Indicator

#### 10 × 10 in

A	19.50 in	E	9.25 in
B	10.25 in	F	4.25 in
C	14.53 in	G	10.25 in
D	13.25 in		

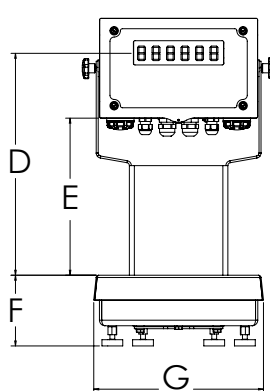
Note: 1 in = 25.4 mm



#### 12 × 12 in

A	19.50 in	E	9.25 in
B	12.25 in	F	4.25 in
C	16.53 in	G	12.25 in
D	13.25 in		

Note: 1 in = 25.4 mm



CW-90XB with 480 indicator



# Ready-n-Weigh Bench Scale System

CW-90XB Bench Scale and 480/480 Plus Indicator Package

## CW-90XB with 480 Package

Part #	Platform Capacity	Dimensions (L × W × H)	Est. Weight	Price
<b>115 VAC, LED, US Plug-Type B</b>				
201241	5 lb (2.5 kg)	10 × 10 × 4.25 in	24 lb	\$2,212.00
201242	10 lb (5 kg)	10 × 10 × 4.25 in	24 lb	\$2,212.00
201243	25 lb (10 kg)	10 × 10 × 4.25 in	24 lb	\$2,212.00
201244	25 lb (10 kg)	12 × 12 × 4.25 in	27 lb	\$2,302.00
201245	50 lb (25 kg)	12 × 12 × 4.25 in	27 lb	\$2,302.00
201246	100 lb (50 kg)	12 × 12 × 4.25 in	27 lb	\$2,302.00
<b>90-264 VAC, LED, Euro Plug-Type E</b>				
201254	5 lb (2.5 kg)	10 × 10 × 4.25 in	24 lb	\$2,212.00
201255	10 lb (5 kg)	10 × 10 × 4.25 in	24 lb	\$2,212.00
201257	25 lb (10 kg)	10 × 10 × 4.25 in	24 lb	\$2,212.00
201258	25 lb (10 kg)	12 × 12 × 4.25 in	27 lb	\$2,302.00
201259	50 lb (25 kg)	12 × 12 × 4.25 in	27 lb	\$2,302.00
201260	100 lb (50 kg)	12 × 12 × 4.25 in	27 lb	\$2,302.00

## CW-90XB with 480 Plus Package

Part #	Platform Capacity	Dimensions (L × W × H)	Est. Weight	Price
<b>115 VAC, LED, Numeric, US Plug-Type B</b>				
201247	5 lb (2.5 kg)	10 × 10 × 4.25 in	24 lb	\$2,212.00
201248	10 lb (5 kg)	10 × 10 × 4.25 in	24 lb	\$2,212.00
201249	25 lb (10 kg)	10 × 10 × 4.25 in	24 lb	\$2,212.00
201250	25 lb (10 kg)	12 × 12 × 4.25 in	27 lb	\$2,302.00
201251	50 lb (25 kg)	12 × 12 × 4.25 in	27 lb	\$2,302.00
201253	100 lb (50 kg)	12 × 12 × 4.25 in	27 lb	\$2,302.00
<b>90-264 VAC, LED, Numeric, Euro Plug-Type E</b>				
201261	5 lb (2.5 kg)	10 × 10 × 4.25 in	24 lb	\$2,212.00
201262	10 lb (5 kg)	10 × 10 × 4.25 in	24 lb	\$2,212.00
201263	25 lb (10 kg)	10 × 10 × 4.25 in	24 lb	\$2,212.00
201264	25 lb (10 kg)	12 × 12 × 4.25 in	27 lb	\$2,302.00
201265	50 lb (25 kg)	12 × 12 × 4.25 in	27 lb	\$2,302.00
201266	100 lb (50 kg)	12 × 12 × 4.25 in	27 lb	\$2,302.00



\* US plug (NA) - Type B



\*\* Euro Plug - Type E

# Ready-n-Weigh Bench Scale System

CW-90XB Bench Scale and 482/482 Plus Indicator Package

BENCH SCALES



## Approvals



Measurement  
Canada  
Approved



## Standard Features

- Package includes scale with IP69K stainless steel hermetically sealed load cell with an indicator and 12-inch
- Factory calibrated with indicator setup and configured for 5,000 divisions
- Scale includes rubber feet to provide exceptional traction and avoid scratching surfaces along with removable top cover for ease of cleaning
- AC power 100 to 240 VAC
- LCD backlit display suitable for a variety of environments
- Battery backed time and date
- Standard RS-232 serial ports for connecting to a variety of peripherals

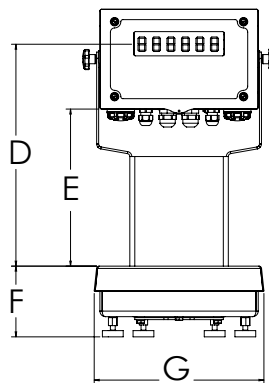
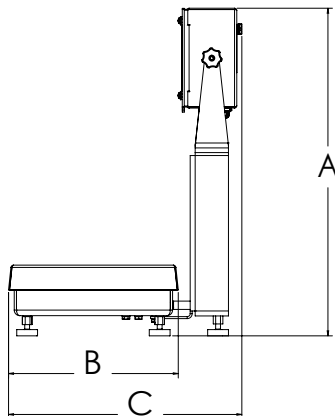
## Dimensions

CW-90XB Bench Scale and 482/482 Plus Indicator			
10 × 10 in			
A	19.50 in	E	9.25 in
B	10.25 in	F	4.25 in
C	14.53 in	G	10.25 in
D	13.25 in		

Note: 1 in = 25.4 mm

12 × 12 in			
A	19.50 in	E	9.25 in
B	12.25 in	F	4.25 in
C	16.53 in	G	12.25 in
D	13.25 in		

Note: 1 in = 25.4 mm



CW-90XB with 482 indicator

## Specifications

**Load Cell, NTEP Certified:**  
IP69K stainless steel and hermetically sealed

**Scale Construction:**  
304 stainless steel

**Maximum Overload:**  
180% to 200% depending on capacity

**Overload Protection:**  
Five-point, independently adjusted

**Scale Frame:**  
AISI304L, straight line finish, Ra= 45 +/- 10

**Scale Cover:**  
AISI304L, straight line finish, Ra= 45 +/- 10

**Cable Length:**  
34 in

**Compensated Temperature Range:**  
14 °F to 104 °F (-10 °C to 40 °C)

**Approvals:**  
NTEP CC 95-072, Class III 5,000 d  
Measurement Canada AM-5082  
Load cell is FM approved

**Warranty:**  
Three-year limited (includes water ingress)

## 482/482 Plus Specifications

**Communication Ports:**  
Com 1: RS-232 full duplex  
Com 2: RS-232 full duplex or 20 mA simplex, continuous  
Both ports 1200, 2400, 4800, 9600, 19200, 38400 baud seven or eight data bits, even, odd or no parity

**Display:**  
LCD backlit display, transmissive/transflective 0.8 in (20 mm), six-digit, seven-segment

**Status Annunciators:**  
Gross, net, center of zero, standstill, lb, kg, tare, preset tare

**Keys/Buttons:**  
Flat membrane panel, embossed keys, tactile feel

**Rating/Material:**  
Enclosure: NEMA Type 4X/IP66, heavy-gauge stainless steel

**Approvals:**  
NTEP 12-123  
Measurement Canada AM-5892C  
CE Marked  
cULus Listed

**Warranty:**  
Two-year limited

# Ready-n-Weigh Bench Scale System

CW-90XB Bench Scale and 482/482 Plus Indicator Package

## CW-90XB with 482 Package

Part #	Platform Capacity	Dimensions (L × W × H)	Est. Weight	Price
<b>115 VAC, LCD, US Plug-Type B</b>				
201533	5 lb (2.5 kg)	10 × 10 × 4.25 in	24 lb	\$2,342.00
201534	10 lb (5 kg)	10 × 10 × 4.25 in	24 lb	\$2,342.00
201535	25 lb (10 kg)	10 × 10 × 4.25 in	24 lb	\$2,342.00
201536	25 lb (10 kg)	12 × 12 × 4.25 in	27 lb	\$2,432.00
201537	50 lb (25 kg)	12 × 12 × 4.25 in	27 lb	\$2,432.00
201538	100 lb (50 kg)	12 × 12 × 4.25 in	27 lb	\$2,432.00
<b>90-264 VAC, LCD, Euro Plug-Type E</b>				
201546	5 lb (2.5 kg)	10 × 10 × 4.25 in	24 lb	\$2,342.00
201547	10 lb (5 kg)	10 × 10 × 4.25 in	24 lb	\$2,342.00
201548	25 lb (10 kg)	10 × 10 × 4.25 in	24 lb	\$2,342.00
201549	25 lb (10 kg)	12 × 12 × 4.25 in	27 lb	\$2,432.00
201550	50 lb (25 kg)	12 × 12 × 4.25 in	27 lb	\$2,432.00
201551	100 lb (50 kg)	12 × 12 × 4.25 in	27 lb	\$2,432.00

## CW-90XB with 482 Plus Package

Part #	Platform Capacity	Dimensions (L × W × H)	Est. Weight	Price
<b>115 VAC, LCD, Numeric, US Plug-Type B</b>				
201539	5 lb (2.5 kg)	10 × 10 × 4.25 in	24 lb	\$2,342.00
201541	10 lb (5 kg)	10 × 10 × 4.25 in	24 lb	\$2,342.00
201542	25 lb (10 kg)	10 × 10 × 4.25 in	24 lb	\$2,342.00
201543	25 lb (10 kg)	12 × 12 × 4.25 in	27 lb	\$2,432.00
201544	50 lb (25 kg)	12 × 12 × 4.25 in	27 lb	\$2,432.00
201545	100 lb (50 kg)	12 × 12 × 4.25 in	27 lb	\$2,432.00
<b>90-264 VAC, LCD, Numeric, Euro Plug-Type E</b>				
201552	5 lb (2.5 kg)	10 × 10 × 4.25 in	24 lb	\$2,342.00
201553	10 lb (5 kg)	10 × 10 × 4.25 in	24 lb	\$2,342.00
201554	25 lb (10 kg)	10 × 10 × 4.25 in	24 lb	\$2,342.00
201555	25 lb (10 kg)	12 × 12 × 4.25 in	27 lb	\$2,432.00
201556	50 lb (25 kg)	12 × 12 × 4.25 in	27 lb	\$2,432.00
201557	100 lb (50 kg)	12 × 12 × 4.25 in	27 lb	\$2,432.00



\* US plug (NA) - Type B



\*\* Euro Plug - Type E

# Ready-n-Weigh Bench Scale System

CW-90XB Bench Scale and 680 Indicator Package

BENCH SCALES



## Approvals



Measurement  
Canada  
Approved



## CW-90XB with 680 Package

Part #	Platform Capacity	Dimensions (L × W × H)	Est. Weight	Price
<b>115-230 VAC, LED, Numeric, US Plug-Type B</b>				
201409	5 lb (2.5 kg)	10 × 10 × 4.25 in	24 lb	\$2,272.00
201410	10 lb (5 kg)	10 × 10 × 4.25 in	24 lb	\$2,272.00
201411	25 lb (10 kg)	10 × 10 × 4.25 in	24 lb	\$2,272.00
201412	25 lb (10 kg)	12 × 12 × 4.25 in	27 lb	\$2,362.00
201413	50 lb (25 kg)	12 × 12 × 4.25 in	27 lb	\$2,362.00
201414	100 lb (50 kg)	12 × 12 × 4.25 in	27 lb	\$2,362.00
<b>115-230 VAC, LED, Numeric, Euro Plug-Type E</b>				
201415	5 lb (2.5 kg)	10 × 10 × 4.25 in	24 lb	\$2,272.00
201416	10 lb (5 kg)	10 × 10 × 4.25 in	24 lb	\$2,272.00
201417	25 lb (10 kg)	10 × 10 × 4.25 in	24 lb	\$2,272.00
201418	25 lb (10 kg)	12 × 12 × 4.25 in	27 lb	\$2,362.00
201419	50 lb (25 kg)	12 × 12 × 4.25 in	27 lb	\$2,362.00
201420	100 lb (50 kg)	12 × 12 × 4.25 in	27 lb	\$2,362.00



† US plug (NA) - Type B

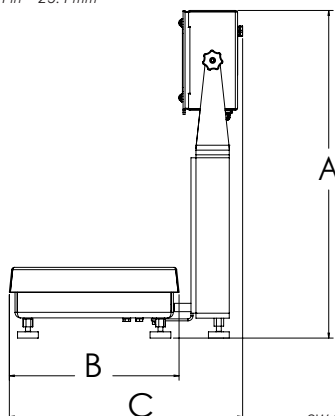


†† Euro Plug - Type E

## Dimensions

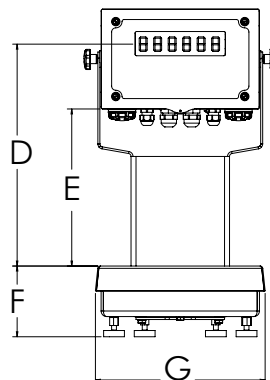
CW-90XB Bench Scale and 680 Indicator			
10 × 10 in			
A	19.56 in	E	9.31 in
B	10.25 in	F	4.25 in
C	15.83 in	G	10.25 in
D	13.31 in		

Note: 1 in = 25.4 mm



12 × 12 in			
A	19.56 in	E	9.31 in
B	12.25 in	F	4.25 in
C	16.83 in	G	12.25 in
D	13.31 in		

Note: 1 in = 25.4 mm



CW-90XB with 680 indicator

## Standard Features

- Package includes scale with IP69K stainless steel hermetically sealed load cell with an indicator and 12-inch column
- Factory calibrated with indicator setup and configured for 5,000 divisions
- Scale includes rubber feet to provide exceptional traction and avoid scratching surfaces along with removable top cover for ease of cleaning
- AC power 100 to 240 VAC
- Full numeric keypad
- LED display suitable for a variety of environments
- Battery backed time and date
- Standard RS-232 serial ports for connecting to a variety of peripherals
- Ethernet TCP/IP

## CW-90XB Specifications

### Load Cell, NTEP Certified:

IP69K stainless steel and hermetically sealed

### Scale Construction:

304 stainless steel

### Maximum Overload:

180% to 200% depending on capacity

### Overload Protection:

Five-point, independently adjusted

### Scale Frame:

AISI304L, straight line finish, Ra= 45 +/- 10

### Scale Cover:

AISI304L, straight line finish, Ra= 45 +/- 10

### Cable Length:

34 in

### Compensated Temperature Range:

14 °F to 104 °F (-10 °C to 40 °C)

### Approvals:

NTEP CC 95-072, Class III 5,000 d

Measurement Canada AM-5082

Load cell is FM approved

### Warranty:

Three-year limited (includes water ingress)

## 680 Specifications

### Communication Ports:

Two RS-232 (three-wire)

RS-485/422 (two-wire or four-wire)

Micro USB (device)

Ethernet TCP/IP (10/100)

### Display:

Seven 0.8-inch tall, seven-segment digits

### Status Annunciators:

Eight LED annunciators

### Keys/Buttons:

Flat membrane panel, tactile feel

(18 buttons plus ON/OFF)

### Rating/Material:

Rating: IP69K (IP66 with RJ45)

Material: AISI 304 stainless steel

### Approvals:

NTEP 19-021

Measurement Canada AM-6121C

cULus Listed

CE Marked

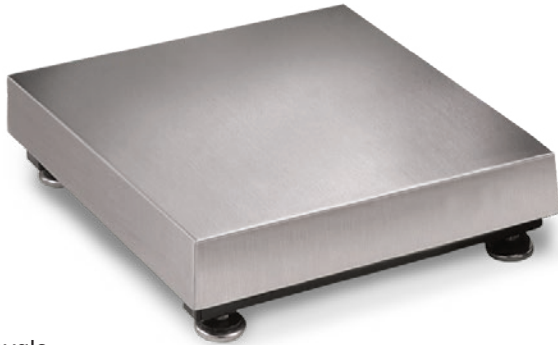
### Warranty:

Two-year limited

# BenchMark® MS

Mild Steel Bench Scale

BENCH SCALES



## Standard Features

- Painted mild steel frame with 304 stainless steel cover
- Base design isolates load cell from overloads and shock loads for added durability
- Specially designed adjustable support feet provide exceptional traction and will not scratch surfaces

## Specifications

### Load Cell, NTEP Certified:

IP66 aluminum, environmentally sealed

### Output Impedance:

350 ohm

### Maximum Overload:

150% to 200% depending on capacity

### Overload Protection:

Five-point, independently adjusted

### Scale Frame:

Mild steel powder coated black

### Scale Cover:

AISI304L, straight line finish, Ra= 45 +/- 10

### Cable Length:

10 ft (3 m)

### Compensated Temperature Range:

14 °F to 104 °F (-10 °C to 40 °C)

### Warranty:

Two-year limited

### Approvals:

NTEP 95-072, Class III, 5,000 d  
Measurement Canada AM-5082

## Approvals



Measurement  
Canada  
Approved



† Load cell  
approval



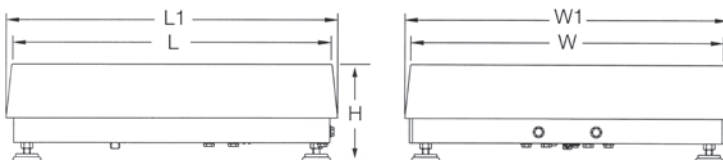
†† Load cell  
approval

## Part Number/Price

Part #	Capacity	Platform Dimensions (L x W x H)	Est. Weight	Price
18580 †	30 lb (15 kg)	12 x 12 x 4.12 in	20 lb	\$890.00
18582 †	50 lb (25 kg)	12 x 12 x 4.12 in	20 lb	\$890.00
18584 †	100 lb (50 kg)	12 x 12 x 4.12 in	20 lb	\$890.00
18586 ††	50 lb (25 kg)	12 x 18 x 4.12 in	37 lb	\$980.00
18588 ††	100 lb (50 kg)	12 x 18 x 4.12 in	37 lb	\$980.00
18590 †	50 lb (25 kg)	18 x 18 x 5.25 in	68 lb	\$1,210.00
18592 †	100 lb (50 kg)	18 x 18 x 5.25 in	68 lb	\$1,210.00
18594 †	150 lb (75 kg)	18 x 18 x 5.25 in	68 lb	\$1,210.00
18596 †	200 lb (100 kg)	18 x 18 x 5.25 in	68 lb	\$1,210.00
18598 †	250 lb (125 kg)	18 x 18 x 5.25 in	68 lb	\$1,210.00
18600 †	300 lb (150 kg)	18 x 18 x 5.25 in	68 lb	\$1,210.00
18602 †	500 lb (250 kg)	18 x 18 x 5.25 in	68 lb	\$1,210.00
18604 ††	1,000 lb (500 kg)	18 x 18 x 5.25 in	68 lb	\$1,210.00
18606 †	50 lb (25 kg)	24 x 18 x 5.25 in	78 lb	\$1,335.00
18608 †	100 lb (50 kg)	24 x 18 x 5.25 in	78 lb	\$1,335.00
18610 †	150 lb (75 kg)	24 x 18 x 5.25 in	78 lb	\$1,335.00
18612 †	200 lb (100 kg)	24 x 18 x 5.25 in	78 lb	\$1,335.00
18614 †	250 lb (125 kg)	24 x 18 x 5.25 in	78 lb	\$1,335.00
18616 †	300 lb (150 kg)	24 x 18 x 5.25 in	78 lb	\$1,335.00
18618 †	500 lb (250 kg)	24 x 18 x 5.25 in	78 lb	\$1,335.00
18620 ††	1,000 lb (500 kg)	24 x 18 x 5.25 in	78 lb	\$1,335.00
18622 †	100 lb (50 kg)	24 x 24 x 5.25 in	78 lb	\$1,470.00
18624 †	150 lb (75 kg)	24 x 24 x 5.25 in	84 lb	\$1,470.00
18626 †	200 lb (100 kg)	24 x 24 x 5.25 in	84 lb	\$1,470.00
18628 †	250 lb (125 kg)	24 x 24 x 5.25 in	84 lb	\$1,470.00
18630 †	300 lb (150 kg)	24 x 24 x 5.25 in	84 lb	\$1,470.00
18632 †	500 lb (250 kg)	24 x 24 x 5.25 in	84 lb	\$1,470.00
18634 ††	1,000 lb (500 kg)	24 x 24 x 5.25 in	84 lb	\$1,470.00

## Options/Accessories

Part #	Description	Catalog Page #
Consult	Scale columns	See page 204
Consult	Ball transfer and roller conveyor scale tops	See page 203
Consult	Mobile scale carts	See page 199 to page 202



## Dimensions

BenchMark MS			
<b>12 x 12 in</b>			
H	4.12 in	W	12.00 in
L	12.00 in	W1	12.50 in
L1	12.50 in		
<b>12 x 18 in</b>			
H	4.12 in	W	18.00 in
L	12.00 in	W1	18.50 in
L1	12.50 in		
<b>18 x 18 in</b>			
H	5.25 in	W	18.00 in
L	18.00 in	W1	18.75 in
L1	18.75 in		
<b>24 x 18 in</b>			
H	5.25 in	W	18.00 in
L	24.00 in	W1	18.75 in
L1	24.75 in		
<b>24 x 24 in</b>			
H	5.25 in	W	24.00 in
L	24.00 in	W1	24.75 in
L1	24.75 in		

Note: 1 in = 25.4 mm

# BenchMark® SS

Stainless Steel Bench Scale

BENCH SCALES



## Approvals



Measurement  
Canada  
Approved



APPROVED  
† Load cell  
approval



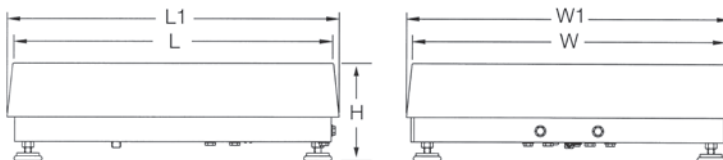
APPROVED  
†† Load cell  
approval

## Part Number/Price

Part #	Capacity	Platform Dimensions (L × W × H)	Est. Weight	Price
186222 †	50 lb (25 kg)	12 × 18 × 4.00 in	37 lb	\$1,040.00
186223 †	100 lb (50 kg)	12 × 18 × 4.00 in	37 lb	\$1,040.00
18591 †	50 lb (25 kg)	18 × 18 × 5.25 in	68 lb	\$1,440.00
18593 †	100 lb (50 kg)	18 × 18 × 5.25 in	68 lb	\$1,440.00
18595 †	150 lb (75 kg)	18 × 18 × 5.25 in	68 lb	\$1,440.00
18597 †	200 lb (100 kg)	18 × 18 × 5.25 in	68 lb	\$1,440.00
18599 †	250 lb (125 kg)	18 × 18 × 5.25 in	68 lb	\$1,440.00
18601 †	300 lb (150 kg)	18 × 18 × 5.25 in	68 lb	\$1,440.00
18603 †	500 lb (250 kg)	18 × 18 × 5.25 in	68 lb	\$1,440.00
18605 ††	1,000 lb (500 kg)	18 × 18 × 5.25 in	68 lb	\$1,440.00
18607 †	50 lb (25 kg)	24 × 18 × 5.25 in	78 lb	\$1,715.00
18609 †	100 lb (50 kg)	24 × 18 × 5.25 in	78 lb	\$1,715.00
18611 †	150 lb (75 kg)	24 × 18 × 5.25 in	78 lb	\$1,715.00
18613 †	200 lb (100 kg)	24 × 18 × 5.25 in	78 lb	\$1,715.00
18615 †	250 lb (125 kg)	24 × 18 × 5.25 in	78 lb	\$1,715.00
18617 †	300 lb (150 kg)	24 × 18 × 5.25 in	78 lb	\$1,715.00
18619 †	500 lb (250 kg)	24 × 18 × 5.25 in	78 lb	\$1,715.00
18621 ††	1,000 lb (500 kg)	24 × 18 × 5.25 in	78 lb	\$1,715.00
18623 †	100 lb (50 kg)	24 × 24 × 5.25 in	84 lb	\$2,110.00
18625 †	150 lb (75 kg)	24 × 24 × 5.25 in	84 lb	\$2,110.00
18627 †	200 lb (100 kg)	24 × 24 × 5.25 in	84 lb	\$2,110.00
18629 †	250 lb (125 kg)	24 × 24 × 5.25 in	84 lb	\$2,110.00
18631 †	300 lb (150 kg)	24 × 24 × 5.25 in	84 lb	\$2,110.00
18633 †	500 lb (250 kg)	24 × 24 × 5.25 in	84 lb	\$2,110.00
18635 ††	1,000 lb (500 kg)	24 × 24 × 5.25 in	84 lb	\$2,110.00

## Options/Accessories

Part #	Description	Catalog Page #
Consult	Scale columns	See page 204
Consult	Ball transfer and roller conveyor scale tops	See page 203
Consult	Mobile scale carts	See page 199 to page 202



## Standard Features

- 304 stainless steel frame and cover
- Base design isolates load cell from overloads and shock loads for added durability
- Specially designed adjustable support feet provide exceptional traction and will not scratch surfaces

## Specifications

### Load Cell, NTEP Certified:

IP66 aluminum, environmentally sealed

### Output Impedance:

350 ohm

### Maximum Overload:

150% to 200% depending on capacity

### Overload Protection:

Five-point, independently adjusted

### Scale Frame:

AISI304L, glass bead blasted for even appearance

### Scale Cover:

AISI304L, straight line finish, Ra= 45 +/- 10

### Cable Length:

10 ft (3 m)

### Compensated Temperature Range:

14 °F to 104 °F (-10 °C to 40 °C)

### Warranty:

Two-year limited

### Approvals:

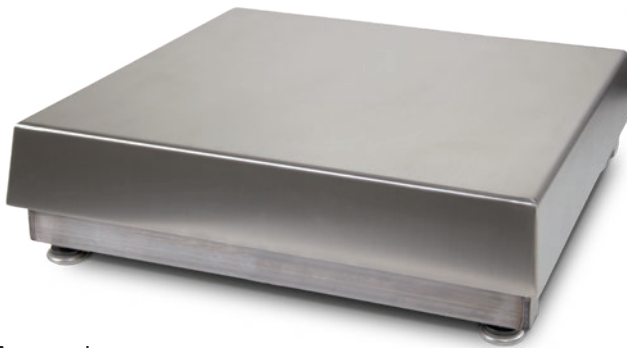
NTEP CC 95-072, Class III, 5,000 d  
Measurement Canada AM-5082

## Dimensions

BenchMark SS			
<b>12 × 18 in</b>			
H	4.00 in	W	18.00 in
L	12.00 in	W1	18.50 in
L1	12.50 in		
<b>18 × 18 in</b>			
H	5.25 in	W	18.00 in
L	18.00 in	W1	18.75 in
L1	18.75 in		
<b>18 × 24 in</b>			
H	5.25 in	W	18.00 in
L	24.00 in	W1	18.75 in
L1	24.75 in		
<b>24 × 24 in</b>			
H	5.25 in	W	24.00 in
L	24.00 in	W1	24.75 in
L1	24.75 in		

Note: 1 in = 25.4 mm





### Standard Features

- 304 stainless steel frame and cover
- Base design isolates load cell from overloads and shock loads for added durability
- Specially designed adjustable support feet provide exceptional traction and will not scratch surfaces

### Specifications

**Load Cell, NTEP Certified:**

IP69K stainless steel, hermetically sealed

**Output Impedance:**

1,000 ohm

**Maximum Overload:**

150% to 200% depending on capacity

**Overload Protection:**

Five-point, independently adjusted

**Scale Frame:**

AISI304L, glass bead blasted for even appearance

**Scale Cover:**

AISI304L, straight line finish, Ra = 45 +/- 10

**Cable Length:**

10 ft (3 m)

**Compensated Temperature Range:**

14 °F to 104 °F (-10 °C to 40 °C)

**Warranty:**

Three-year limited (includes water ingress)

**Approvals:**

NTEP CC 95-072, Class III, 5,000 d  
Measurement Canada AM-5082  
Load cell is FM approved

### Approvals



Measurement Canada Approved

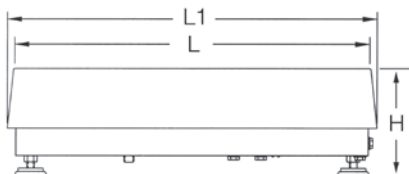


### Part Number/Price

Part #	Capacity	Platform Dimensions (L x W x H)	Est. Weight	Price
186897	50 lb (25 kg)	12 x 18 x 4.00 in	37 lb	\$1,480.00
186898	100 lb (50 kg)	12 x 18 x 4.00 in	37 lb	\$1,480.00
86952	50 lb (25 kg)	18 x 18 x 5.25 in	68 lb	\$1,780.00
86953	100 lb (50 kg)	18 x 18 x 5.25 in	68 lb	\$1,780.00
86954	150 lb (75 kg)	18 x 18 x 5.25 in	68 lb	\$1,780.00
86955	200 lb (100 kg)	18 x 18 x 5.25 in	68 lb	\$1,780.00
86956	250 lb (125 kg)	18 x 18 x 5.5 in	68 lb	\$2,130.00
86957	300 lb (150 kg)	18 x 18 x 5.5 in	68 lb	\$2,130.00
86958	500 lb (250 kg)	18 x 18 x 5.5 in	68 lb	\$2,130.00
86959	1,000 lb (500 kg)	18 x 18 x 5.5 in	68 lb	\$2,130.00
86960	50 lb (25 kg)	24 x 18 x 5.5 in	78 lb	\$2,405.00
86961	100 lb (50 kg)	24 x 18 x 5.5 in	78 lb	\$2,405.00
86962	150 lb (75 kg)	24 x 18 x 5.5 in	78 lb	\$2,405.00
86963	200 lb (100 kg)	24 x 18 x 5.5 in	78 lb	\$2,405.00
86964	250 lb (125 kg)	24 x 18 x 5.5 in	78 lb	\$2,405.00
86965	300 lb (150 kg)	24 x 18 x 5.5 in	78 lb	\$2,405.00
86966	500 lb (250 kg)	24 x 18 x 5.5 in	78 lb	\$2,405.00
86967	1,000 lb (500 kg)	24 x 18 x 5.5 in	78 lb	\$2,405.00
86968	100 lb (50 kg)	24 x 24 x 5.5 in	84 lb	\$2,800.00
86969	150 lb (75 kg)	24 x 24 x 5.5 in	84 lb	\$2,800.00
86970	200 lb (100 kg)	24 x 24 x 5.5 in	84 lb	\$2,800.00
86971	250 lb (125 kg)	24 x 24 x 5.5 in	84 lb	\$2,800.00
86972	300 lb (150 kg)	24 x 24 x 5.5 in	84 lb	\$2,800.00
86973	500 lb (250 kg)	24 x 24 x 5.5 in	84 lb	\$2,800.00
86974	1,000 lb (500 kg)	24 x 24 x 5.5 in	84 lb	\$2,800.00

### Options/Accessories

Part #	Description	Catalog Page #
Consult	Scale columns	See page 204
Consult	Ball transfer and roller conveyor scale tops	See page 203
Consult	Mobile scale carts	See page 199 to page 202



### Dimensions

BenchMark HE			
<b>12 x 18 in</b>			
H	4.00 in	W	18.00 in
L	12.00 in	W1	18.50 in
L1	12.50 in		
<b>18 x 18 x 5.25 in</b>			
H	5.25 in	W	18.00 in
L	18.00 in	W1	18.75 in
L1	18.75 in		
<b>18 x 18 x 5.5 in</b>			
H	5.50 in	W	18.00 in
L	18.00 in	W1	18.75 in
L1	18.75 in		
<b>18 x 24 in</b>			
H	5.50 in	W	18.00 in
L	24.00 in	W1	18.75 in
L1	24.75 in		
<b>24 x 24 in</b>			
H	5.50 in	W	24.00 in
L	24.00 in	W1	24.75 in
L1	24.75 in		

Note: 1 in = 25.4 mm

# BenchMark® HE-X

Hostile Environment Extreme Bench Scale

BENCH SCALES



## Specifications

**Load Cell, NTEP Certified:**  
IP69K stainless steel, hermetically sealed

**Output Impedance:**  
1,000 ohm

**Maximum Overload:**  
150% to 200% depending on capacity

**Overload Protection:**  
Five-point, independently adjusted

**Scale Frame:**  
AISI304L, glass bead blasted for even appearance

**Scale Cover:**  
AISI304L, straight line finish, Ra= 45 +/- 10

**Cable Length:**  
10 ft (3 m)

**Compensated Temperature Range:**  
14 °F to 104 °F (-10 °C to 40 °C)

**Warranty:**  
Three-year limited (includes water ingress)

**Approvals:**  
Load cell is FM approved

## Approvals



## Standard Features

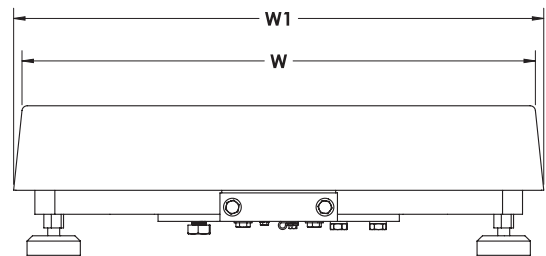
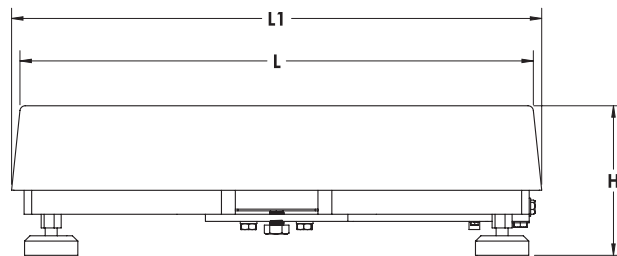
- IP69K stainless steel load cell
- Rugged washdown design, rigid 304 stainless steel frame and cover constructed with continuous welds
- Four adjustable stainless steel support feet
- Meets Sanitary Design Principles
- Meets HACCP requirements

## Dimensions

BenchMark HE-X			
<b>12 × 12 in</b>			
H	5.25 in	W	18.00 in
L	12.00 in	W1	18.50 in
L1	12.50 in		
<b>18 × 18 in</b>			
H	5.25 in	W	18.00 in
L	18.00 in	W1	18.75 in
L1	18.75 in		

<b>18 × 24 in</b>			
H	5.25 in	W	24.00 in
L	18.00 in	W1	24.75 in
L1	18.75 in		
<b>24 × 24 in</b>			
H	5.25 in	W	24.00 in
L	24.00 in	W1	24.75 in
L1	24.75 in		

Note: 1 in = 25.4 mm



## Part Number/Price

Part #	Capacity	Platform Dimensions (L x W x H)	Est. Weight	Price
192346	50 lb (25 kg)	12 x 18 x 5.25 in	59 lb	\$2,925.00
192347	100 lb (50 kg)	12 x 18 x 5.25 in	59 lb	\$2,925.00
191455	50 lb (25 kg)	18 x 18 x 5.25 in	73 lb	\$3,100.00
191456	100 lb (50 kg)	18 x 18 x 5.25 in	73 lb	\$3,100.00
191457	150 lb (75 kg)	18 x 18 x 5.25 in	73 lb	\$3,100.00
191458	200 lb (100 kg)	18 x 18 x 5.25 in	73 lb	\$3,100.00
191459	250 lb (125 kg)	18 x 18 x 5.25 in	73 lb	\$3,100.00
191460	300 lb (150 kg)	18 x 18 x 5.25 in	73 lb	\$3,100.00
191461	500 lb (250 kg)	18 x 18 x 5.25 in	73 lb	\$3,100.00
191462	1,000 lb (500 kg)	18 x 18 x 5.25 in	73 lb	\$3,100.00
191467	50 lb (25 kg)	18 x 24 x 5.25 in	90 lb	\$3,345.00
191469	100 lb (50 kg)	18 x 24 x 5.25 in	90 lb	\$3,345.00
191470	150 lb (75 kg)	18 x 24 x 5.25 in	90 lb	\$3,345.00
191472	200 lb (100 kg)	18 x 24 x 5.25 in	90 lb	\$3,345.00
191473	250 lb (125 kg)	18 x 24 x 5.25 in	90 lb	\$3,345.00
191474	300 lb (150 kg)	18 x 24 x 5.25 in	90 lb	\$3,345.00
191475	500 lb (250 kg)	18 x 24 x 5.25 in	90 lb	\$3,345.00
191476	1,000 lb (500 kg)	18 x 24 x 5.25 in	90 lb	\$3,345.00
191479	100 lb (50 kg)	24 x 24 x 5.25 in	122 lb	\$3,600.00
191480	150 lb (75 kg)	24 x 24 x 5.25 in	122 lb	\$3,600.00
191481	200 lb (100 kg)	24 x 24 x 5.25 in	122 lb	\$3,600.00
191482	250 lb (125 kg)	24 x 24 x 5.25 in	122 lb	\$3,600.00
191483	300 lb (150 kg)	24 x 24 x 5.25 in	122 lb	\$3,600.00
191485	500 lb (250 kg)	24 x 24 x 5.25 in	122 lb	\$3,600.00
191486	1,000 lb (500 kg)	24 x 24 x 5.25 in	122 lb	\$3,600.00

## Options/Accessories


Part #	Description	Catalog Page #
Consult	Scale columns	See page 204
Consult	Ball transfer and roller conveyor scale tops	See page 203
Consult	Mobile scale carts	See page 199 to page 202

# BenchMark® LP

Low-Profile Bench Scale

BENCH SCALES



 Ideal for aviation weighing. A complete system can be sold with the Tracer® AV2. Reference Aviation section for specifications.

## Standard Features

- Mild steel base construction
- 304 stainless steel cover
- ABS junction box
- Four planar beam load cells
- Adjustable leveling feet
- 20 ft of EL147 load cell cable
- Holes in lower frame for mounting scale without adjustable leveling feet

## Specifications

**Load Cell, Rated Output:**  
IP65 aluminum, 1.0 mV/V ±10%

**End Load Capacity:**  
60% of full scale capacity

**Cable Length:**  
20 ft (6.1 m) for connecting junction box to indicator

**Scale Frame:**  
Mild steel powder coated black

**Scale Cover:**  
AISI304L, straight line finish, Ra= 45 +/- 10

**Warranty:**  
Two-year limited

**Approvals:**  
NTEP CC 08-017, Class III 5,000 d  
(except 1,000 lb capacity)  
Measurement Canada AM 5660  
(except 500 kg capacity)

## Approvals



## Part Number/Price

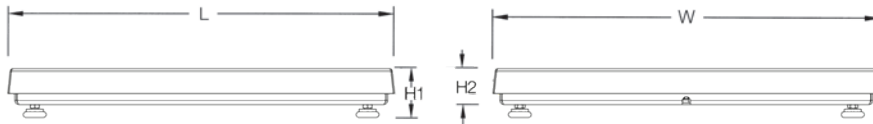
Part #	Capacity	Platform Dimensions L x W x H1 (H2)	Est. Weight	Price
97662	100 lb (50 kg)	18 x 18 x 2.63 in (1.67 in*)	75 lb	\$1,385.00
97663	250 lb (125 kg)	18 x 18 x 2.50 in (1.74 in*)	85 lb	\$1,415.00
97664	500 lb (250 kg)	18 x 18 x 2.69 in (1.93 in*)	85 lb	\$1,450.00
97665	100 lb (50 kg)	24 x 24 x 2.66 in (1.69 in*)	85 lb	\$1,655.00
97666	250 lb (125 kg)	24 x 24 x 2.83 in (2.07 in*)	100 lb	\$1,680.00
97667	500 lb (250 kg)	24 x 24 x 3.02 in (2.26 in*)	100 lb	\$1,715.00
97668	500 lb (250 kg)	30 x 30 x 3.02 in (2.26 in*)	150 lb	\$1,975.00
97669**	1,000 lb (500 kg)	30 x 30 x 3.47 in (2.70 in*)	190 lb	\$2,040.00
97670	500 lb (250 kg)	36 x 36 x 3.02 in (2.26 in*)	175 lb	\$2,590.00
97671**	1,000 lb (500 kg)	36 x 36 x 3.47 in (2.70 in*)	175 lb	\$2,650.00

\*Height without adjustable leveling feet

\*\* Non-NTEP or Measurement Canada Approved

## Options/Accessories

Part #	Description	Price
208904	20 ft cable with DB-9 connector for connecting to Tracer AV2	\$50.00



## Dimensions

BenchMark LP			
<b>PN 97662</b>			
H1	2.63 in	L	18.00 in
H2	1.67 in	W	18.00 in
<b>PN 97663</b>			
H1	2.50 in	L	18.00 in
H2	1.74 in	W	18.00 in
<b>PN 97664</b>			
H1	2.69 in	L	18.00 in
H2	1.93 in	W	18.00 in
<b>PN 97665</b>			
H1	2.66 in	L	24.00 in
H2	1.69 in	W	24.00 in

Note: 1 in = 25.4 mm

<b>PN 97666</b>			
H1	2.83 in	L	24.00 in
H2	2.07 in	W	24.00 in
<b>PN 97667</b>			
H1	3.02 in	L	24.00 in
H2	2.26 in	W	24.00 in
<b>PN 97668</b>			
H1	3.02 in	L	30.00 in
H2	2.26 in	W	30.00 in
<b>PN 97669</b>			
H1	3.47 in	L	30.00 in
H2	2.70 in	W	30.00 in

Note: 1 in = 25.4 mm

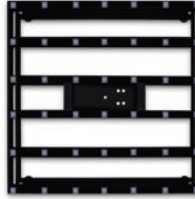
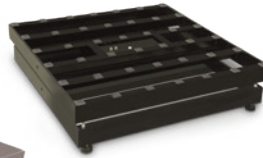
<b>PN 97670</b>			
H1	3.02 in	L	36.00 in
H2	2.26 in	W	36.00 in
<b>PN 97671</b>			
H1	3.47 in	L	36.00 in
H2	2.70 in	W	36.00 in

Note: 1 in = 25.4 mm

# BenchMark® HD

Heavy-Duty Bench Scale

BENCH SCALES



## Standard Features

- Heavy-duty designed mild steel base construction with 304 stainless steel cover
- Polyurethane rubber leveling feet with stainless steel stems

## Specifications

**Load Cell, NTEP Certified:**  
IP67 aluminum, environmentally sealed

**Output Impedance:**  
350 ohm

**Maximum Overload:**  
200%

**Overload Protection:**  
Five-point, independently adjusted

**Scale Frame:**  
Mild steel powder coated black

**Scale Cover:**  
AISI304L, straight line finish, Ra= 45 +/- 10

**Cable Length:**  
10 ft (3 m)

**Compensated Temperature Range:**  
14 °F to 104 °F (-10 °C to 40 °C)

**Warranty:**  
Two-year limited

**Approvals:**  
NTEP CC 06-010, Class III 5,000 d  
Measurement Canada AM-5625  
Load cell is cFMus approved

## Approvals



Measurement  
Canada  
Approved



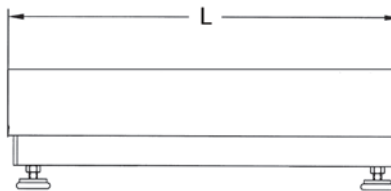
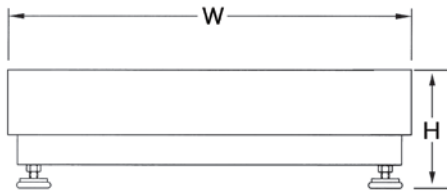
## Part Number/Price

Part #	Capacity	Platform Dimensions (L × W × H)	Est. Weight	Price
93414	250 lb (125 kg)	30 × 30 × 8.75 in	300 lb	\$2,125.00
93415	500 lb (225 kg)	30 × 30 × 8.75 in	300 lb	\$2,125.00
93416	250 lb (125 kg)	36 × 36 × 8.75 in	330 lb	\$2,575.00
93417	500 lb (225 kg)	36 × 36 × 8.75 in	330 lb	\$2,575.00

## Dimensions

BenchMark HD			
<b>30 × 30 in</b>			
H	8.75 in	W	30.00 in
L	30.00 in		
<b>36 × 36 in</b>			
H	8.75 in	W	36.00 in
L	36.00 in		

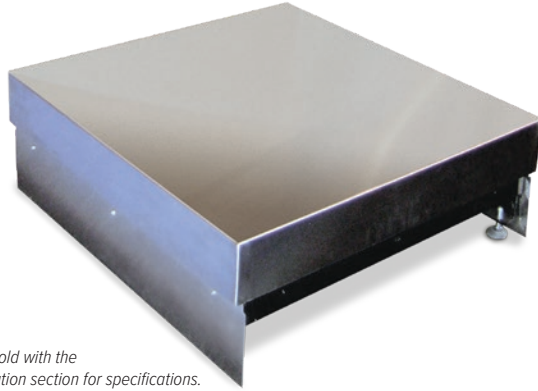
Note: 1 in = 25.4 mm



# BenchMark® HD-1 Aviation

Heavy Duty Bench Scale

BENCH SCALES



*Ideal for aviation weighing.  
A complete system can be sold with the  
Tracer® AV2. Reference Aviation section for specifications.*

## Approvals



Measurement  
Canada  
Approved



## Part Number/Price

Part #	Capacity	Platform Dimensions	Price
Consult	500 lb (225 kg)	W × D × 12 in	Consult

*Note: Maximum size is up to 36in × 36in, height is always 12in  
W × D supplied by customer*

## Standard Features

- Heavy-duty scale designed mild steel base construction with 304 stainless steel cover
- Polyurethane rubber leveling feet with stainless steel stems
- Load cell comes standard with DB-9 connector for connecting to Tracer AV2
- Front and back kick plates

## Specifications

**Load Cell, NTEP Certified:**  
IP67 aluminum, environmentally sealed

**Output Impedance:**  
350 ohm

**Maximum Overload:**  
200%

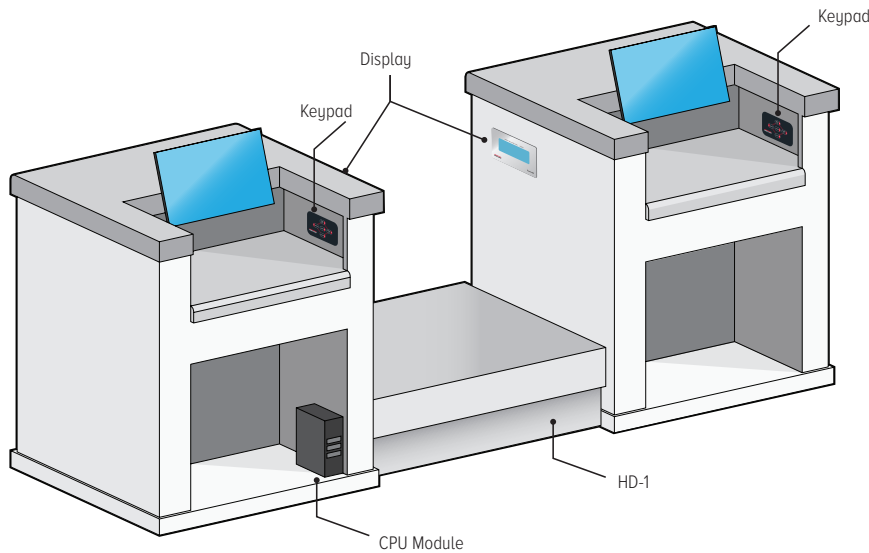
**Overload Protection:**  
Five-point, independently adjusted

**Cable Length:**  
10 ft (3 m)

**Compensated Temperature Range:**  
14 °F to 104 °F (-10 °C to 40 °C)

**Warranty:**  
Two-year limited

**Approvals:**  
NTEP CC 06-010, Class III 5,000 d  
Measurement Canada AM-5625  
Load cell is cFMus approved



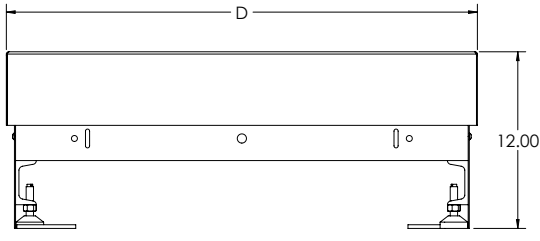
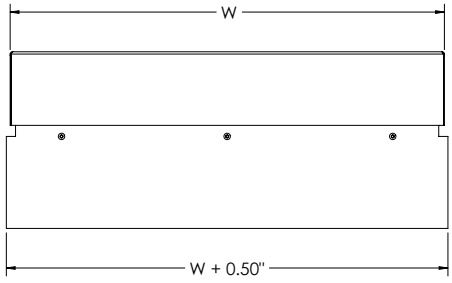
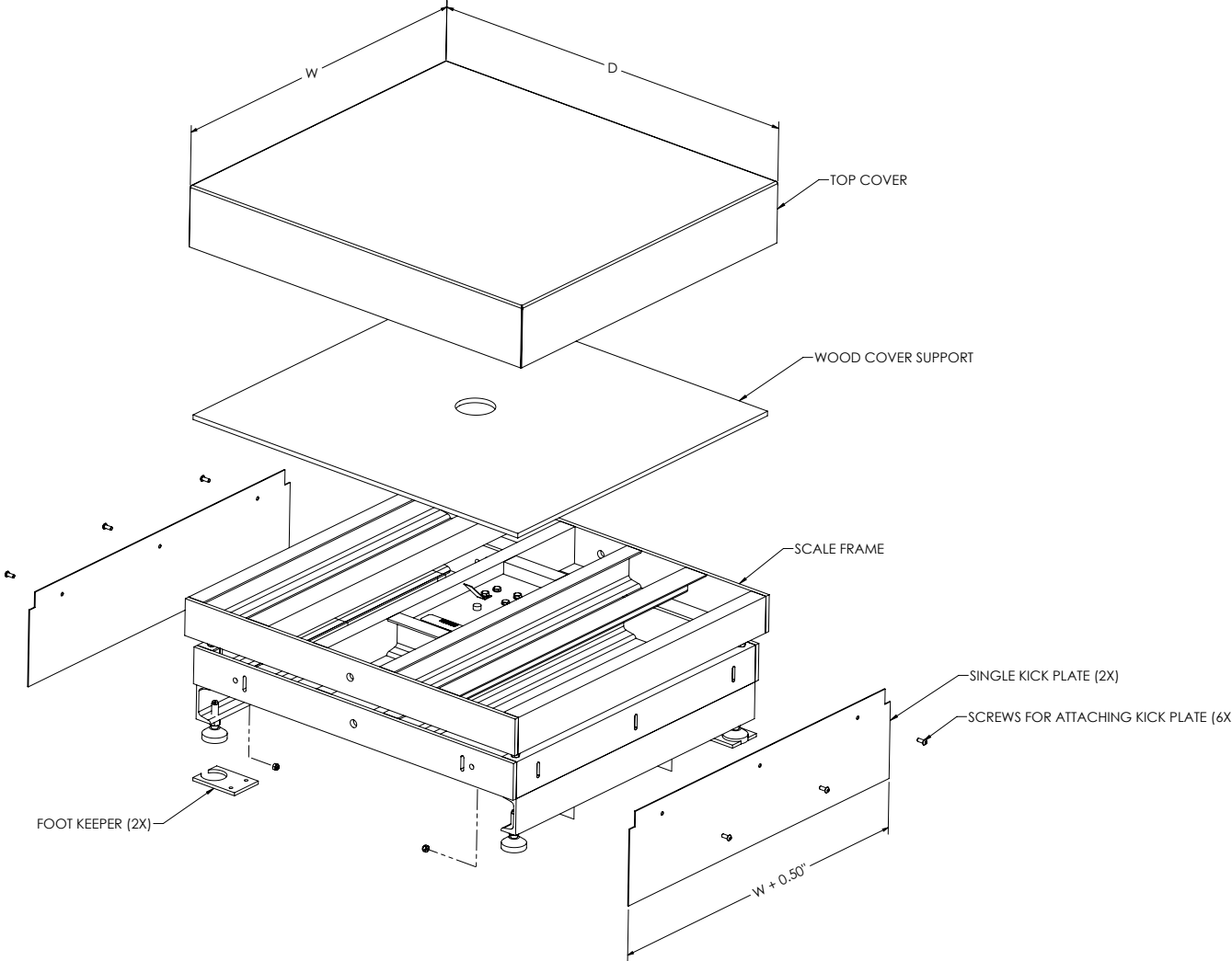
*Baggage weighing system with Benchmark HD-1 and Tracer AV2Dual LCD Panel Mount Display, Dual keypad*



# BenchMark® HD-1 Aviation

Heavy Duty Bench Scale

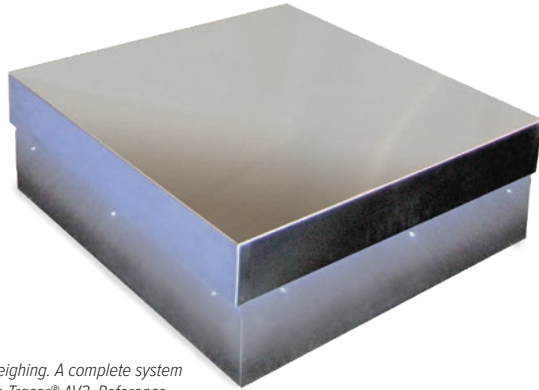
BENCH SCALES




# BenchMark® HD-2 Aviation

Heavy Duty Bench Scale

BENCH SCALES



 Ideal for aviation weighing. A complete system can be sold with the Tracer® AV2. Reference Aviation section for specifications.

## Approvals



Measurement  
Canada  
Approved



## Part Number/Price

Part #	Capacity	Platform Dimensions	Price
Consult	500 lb (225 kg)	W × D × 12 in	Consult

Note: Maximum size is up to 36in × 36in, height is always 12in W × D supplied by customer.

## Standard Features

- Heavy-duty scale designed mild steel base construction with 304 stainless steel cover
- Polyurethane rubber leveling feet with stainless steel stems
- Load cell comes standard with DB-9 connector for connecting to Tracer AV2
- Three-sided kick plate

## Specifications

### Load Cell, NTEP Certified:

IP67 aluminum, environmentally sealed

### Output Impedance:

350 ohm

### Maximum Overload:

200%

### Overload Protection:

Five-point, independently adjusted

### Cable Length:

10 ft (3 m)

### Compensated Temperature Range:

14 °F to 104 °F (-10 °C to 40 °C)

### Warranty:

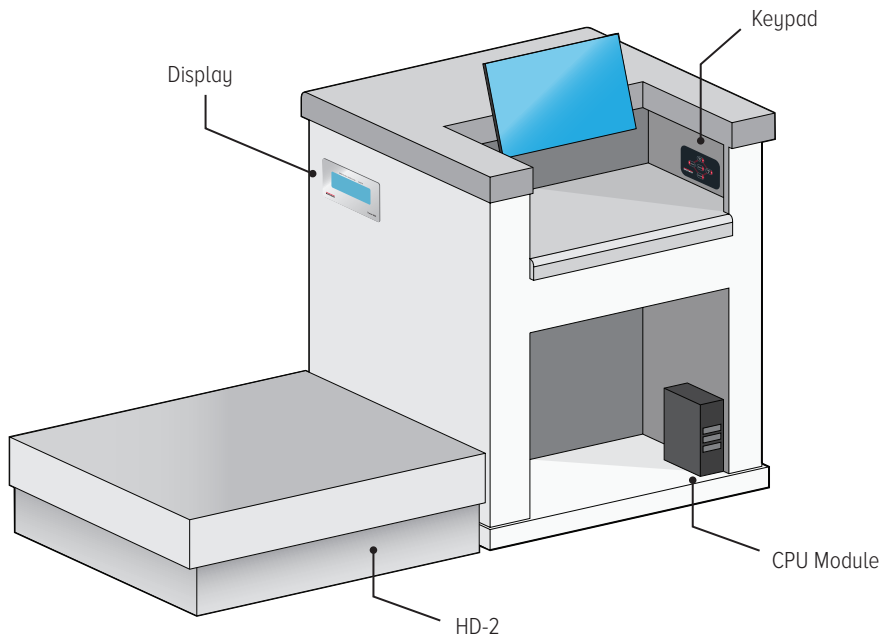
Two-year limited

### Approvals:

NTEP CC 06-010, Class III 5,000 d

Measurement Canada AM-5625

Load cell is cFMus approved

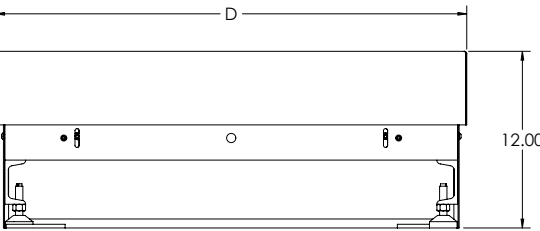
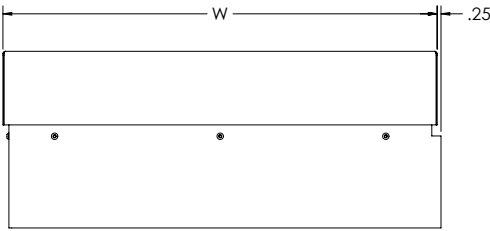
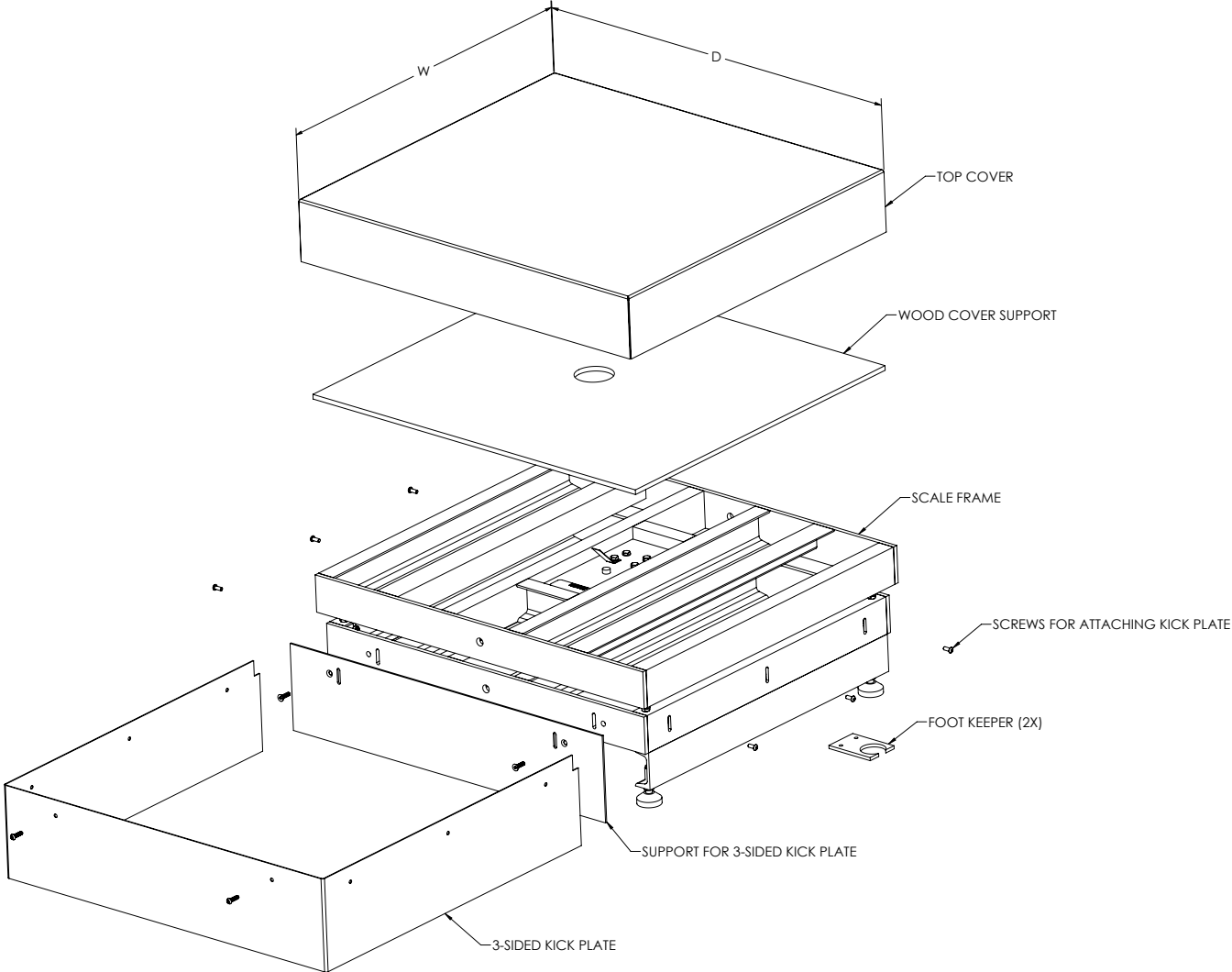


Baggage weighing system with Benchmark HD-2 and Tracer AV2 Single LCD Panel Mount Display, Single keypad

# BenchMark® HD-2 Aviation

Heavy Duty Bench Scale

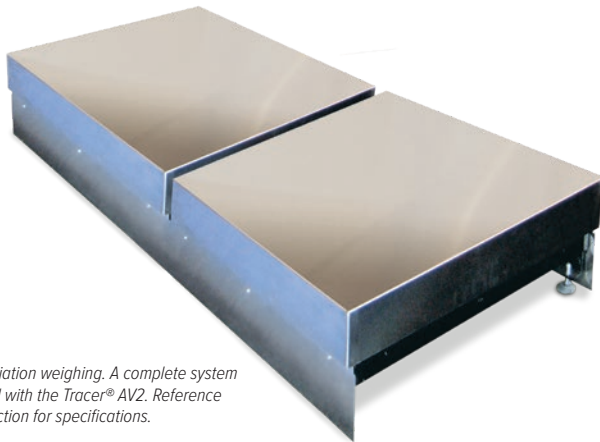
BENCH SCALES



# BenchMark® HD-3 Aviation

Heavy Duty Bench Scale

BENCH SCALES



*Ideal for aviation weighing. A complete system can be sold with the Tracer® AV2. Reference Aviation section for specifications.*

## Approvals



## Part Number/Price

Part #	Capacity	Platform Dimensions	Price
Consult	500 lb (225 kg)	W × D × 12 in	Consult

*Note: Maximum size is up to 36in × 36in, height is always 12in  
W × D supplied by customer.*

## Standard Features

- Two heavy-duty scales designed mild steel base construction with 304 stainless steel cover
- Polyurethane rubber leveling feet with stainless steel stems
- Load cell comes standard with DB-9 connector for connecting to Tracer AV2
- Front and back kick plates for two side-by-side scales

## Specifications

### Load Cell, NTEP Certified:

IP67 aluminum, environmentally sealed

### Output Impedance:

350 ohm

### Maximum Overload:

200%

### Overload Protection:

Five-point, independently adjusted

### Cable Length:

10 ft (3 m)

### Compensated Temperature Range:

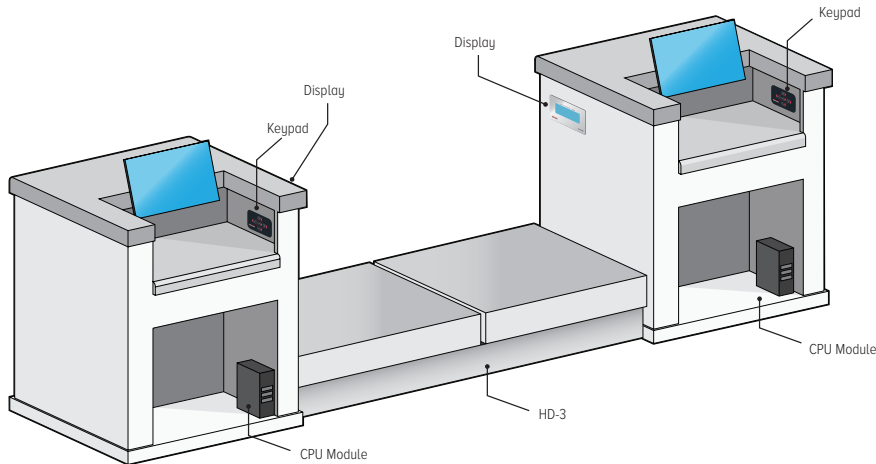
14 °F to 104 °F (-10 °C to 40 °C)

### Warranty:

Two-year limited

### Approvals:

NTEP CC 06-010, Class III 5,000 d  
Measurement Canada AM-5625  
Load cell is cFMus approved

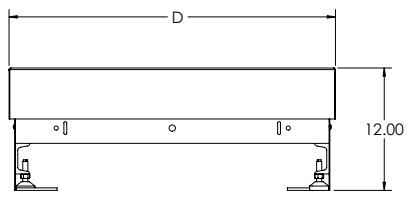
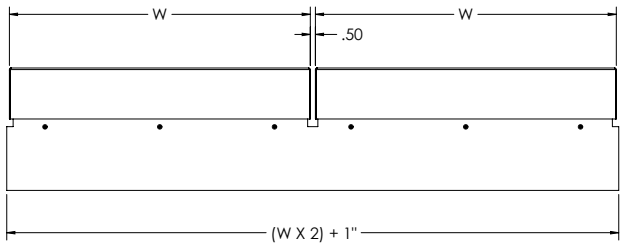
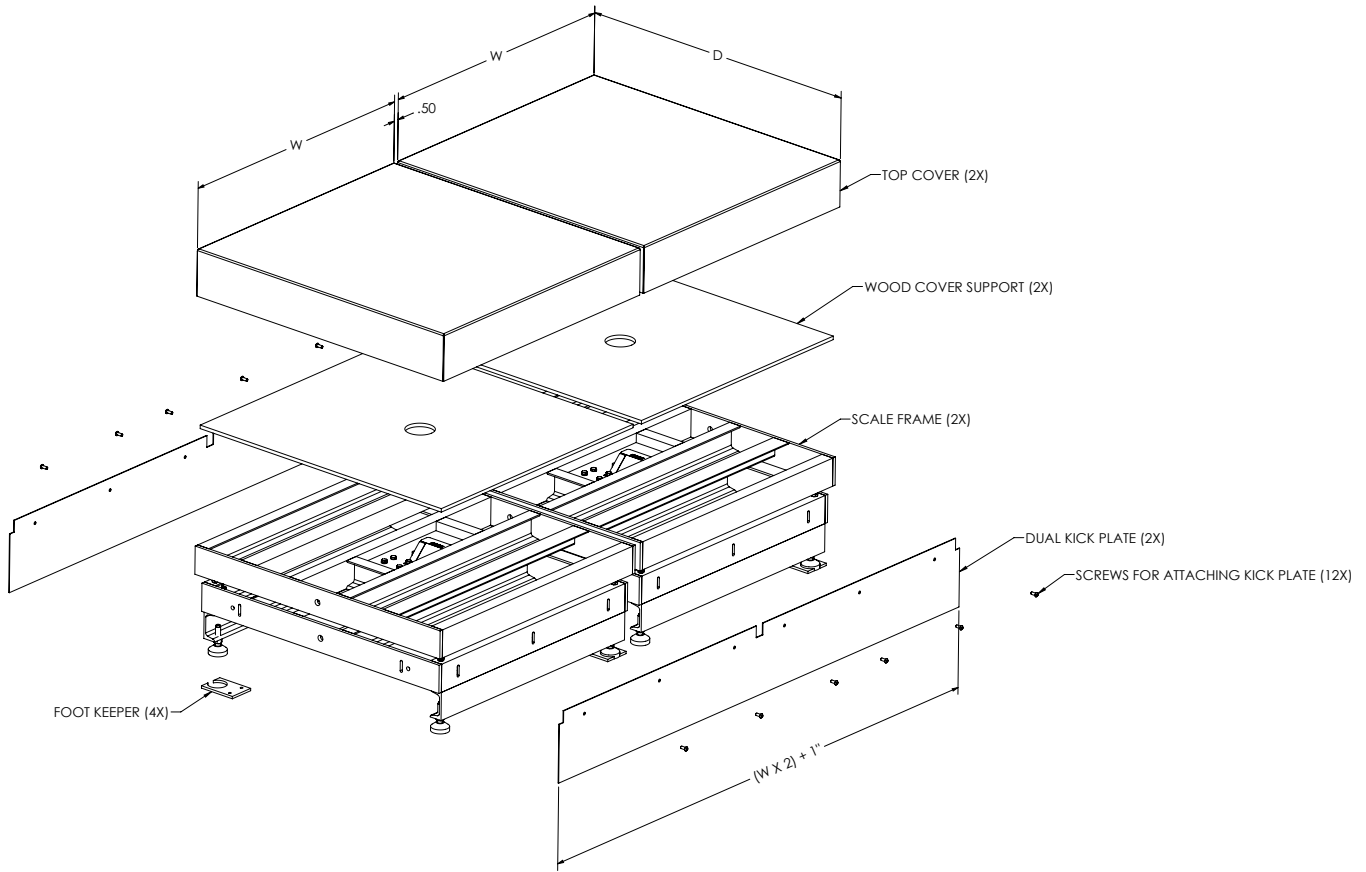


*Baggage weighing system with BenchMark HD-3 and Tracer AV2 Single LCD Panel Mount Display, Single keypad*

# BenchMark® HD-3 Aviation

Heavy Duty Bench Scale

BENCH SCALES



# BenchMark® HDP

Portable Heavy-Duty Bench Scale

BENCH SCALES



## Standard Features

- Mild steel base construction
- 304 stainless steel cover
- Indicator stand for mounting  
480/482 Legend® Series or 380 Synergy

### Wheel model

- Polyurethane rubber leveling feet with stainless steel stems
- 8-inch diameter preformed rubber wheels with ball bearings

### Caster model

- 3 1/2 in diameter preformed rubber casters, two fixed, two swivel with lock

## Specifications

### Load Cell, NTEP Certified:

IP67 aluminum, environmentally sealed

### Output Impedance:

350 ohm

### Maximum Overload:

200%

### Overload Protection:

Five-point, independently adjusted

### Scale Frame:

Mild steel powder-coated black

### Scale Cover:

AISI304L, straight line finish, Ra= 45 +/- 10

### Cable Length:

10 ft (3 m)

### Compensated Temperature Range:

14 °F to 104 °F (-10 °C to 40 °C)

### Warranty:

Two-year limited

### Approvals:

NTEP CC 06-010, Class III 5,000 d  
Measurement Canada AM-5625

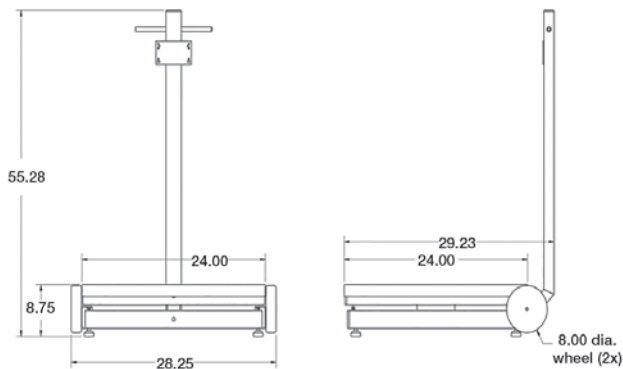
## Approvals



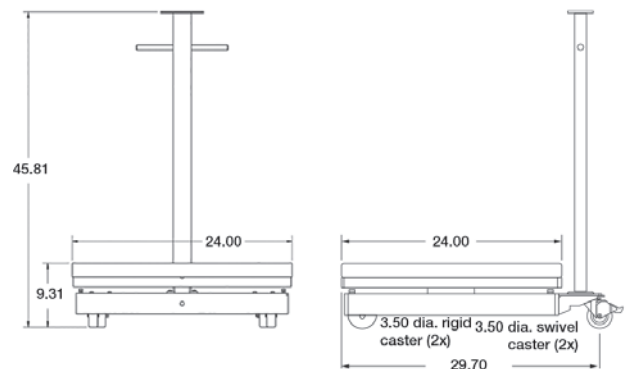
Measurement  
Canada  
Approved

## Part Number/Price

Part #	Capacity	Platform Dimensions	Est. Weight	Price
<b>Wheel Model</b>				
97072	250 lb (125 kg)	24 × 24 × 8.75 in	275 lb	\$2,495.00
97073	500 lb (225 kg)	24 × 24 × 8.75 in	275 lb	\$2,495.00
<b>Caster Model</b>				
97074	250 lb (125 kg)	24 × 24 × 9.31 in	290 lb	\$2,495.00
97075	500 lb (225 kg)	24 × 24 × 9.31 in	290 lb	\$2,495.00



Wheel Model



Caster Model



# Ishida iPC Series

Portable Bench Scale

BENCH SCALES



## Standard Features

- Six-digit liquid crystal display (LCD)
- Powered by two D cell batteries (up to 500 hours of operation)
- Auto power-off function
- Low battery indicator
- Overload stops
- Batteries and AC adapter not included

## Specifications

### Display:

Six-digit (seven-segment), LCD  
Character height: 1 in (25.4 mm)

### Keyboard:

Zero, tare, on/off, unit (lb/kg)  
NOTE: oz version only displays weight in oz

### Power:

Two dry cell D type batteries\* (up to 500 hours) or AC adapter  
Auto power-off function (can be set to 60 min., 20 min., or off)

### Operational Temperature:

23 °F to 104 °F (-5 °C to 40 °C)

### Divisions (Auto Ranging):

**100 oz**  
0.05 oz: 0 to 50 oz  
0.1 oz: 50 to 100 oz

**6 lb**  
0.002 lb: 0 to 3 lb  
0.005 lb: 3 to 6 lb

**15 lb**  
0.005 lb: 0 to 6 lb  
0.01 lb: 6 to 15 lb

**30 lb**  
0.01 lb: 0 to 15 lb  
0.02 lb: 15 to 30 lb

**60 lb**  
0.02 lb: 0 to 30 lb  
0.05 lb: 30 to 60 lb

### Platter Size:

100 oz (3 kg): 9.1 × 7.8 in  
6 lb (3 kg): 9.1 × 7.8 in  
15 lb (6 kg): 9.1 × 7.8 in  
30 lb (15 kg): 11 × 11.5 in  
60 lb (30 kg): 11 × 11.5 in

### Warranty:

One-year limited

### Approvals:

NTEP Certified CC 02-139, Class III  
0 to 30 lb 1,500 d; 60 lb 1,200 d; 0 to 100 oz 1000 d  
UL listed

## Approvals



## Part Number/Price

Part #	Capacity	Platform Dimensions	Est. Weight	Price
<b>Single Display</b>				
75466	100 oz	9.1 × 7.8 in	6 lb	\$295.00
<b>Single Display, Multi-ranging</b>				
75454	6 lb (3 kg)	9.1 × 7.8 in	6 lb	\$295.00
75455	15 lb (6 kg)	9.1 × 7.8 in	6 lb	\$295.00
75457	30 lb (15 kg)	11 × 11.5 in	8 lb	\$295.00
75458	60 lb (30 kg)	11 × 11.5 in	8 lb	\$295.00

## Options/Accessories

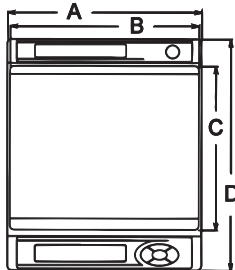
Part #	Description	Price
75470	Stainless steel platter cover (100 oz, 6 lb, and 15 lb capacity)	\$29.00
75739	Stainless steel platter cover (30 lb and 60 lb capacity)	\$29.00
75473 *	AC adapter	\$30.00

\*National Recognized Test Laboratory certified adapter

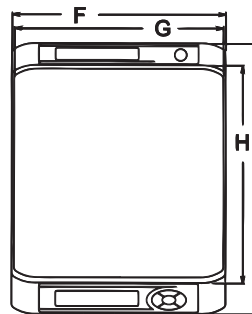
## Dimensions

Ishida iPC Series			
A	9.30 in	F	11.30 in
B	9.10 in	G	11.00 in
C	7.80 in	H	11.50 in
D	11.10 in	I	14.30 in
E	3.90 in	J	4.00 in

Note: 1 in = 25.4 mm



iPC 9.1" x 7.8" platter



iPC 11" x 11.5" platter

# Versa-portion®

Compact Scale

BENCH SCALES



## Approvals



Measurement  
Canada  
Approved

## Part Number/Price

Part #	Description	Capacity	Est. Weight	Price
115125	RLP-6S	6.00 × 0.002 lb	15 lb (6.3 kg)	\$450.00
115128	RLP-15S	15.00 × 0.005 lb	15 lb (6.3 kg)	\$450.00
115129	RLP-30S	30.00 × 0.01 lb	15 lb (6.3 kg)	\$450.00
115130	RLP-60S	60.00 × 0.02 lb	15 lb (6.3 kg)	\$450.00

## Options/Accessories

Part #	Description	Price
108516	Rechargeable battery	\$50.00
108518	AC adapter 110-230 VAC, U.S. plug	\$50.00
129953	AC adapter, 110-230 VAC, Euro plug	\$55.00
115519	Additional operator guide	\$10.00

## Standard Features

- Compact and easy to use
- IP68 water and dust resistant
- Stainless steel finish
- Removable weigh pan for quick and easy cleaning
- LED display
- AC adapter included
- Legal for Trade
- HACCP compliant

## Options

- Rechargeable battery

## Specifications

### Display:

LED, six-digit

### Capacity:

Pound	Gram	Ounce
6.0 × 0.002 lb	3,000 × 1 g	60.0 × 0.02 oz
15.0 × 0.005 lb	6,000 × 2 g	150.0 × 0.05 oz
30.0 × 0.01 lb	15,000 × 5 g	300.0 × 0.1 oz
60.0 × 0.02 lb	30,000 × 10 g	600.0 × 0.2 oz

### Display Indicators:

Ounces, grams, pounds, net, center of zero, battery usage

### Keyboard:

Rezero, Tare, On/Off, Unit

### Resolution:

Internal: 90,000 count

Display: 3,000

### Operating Humidity:

15 to 85% RH

### Operating Temperature:

14 °F to 104 °F (-10 °C to 40 °C)

### Power Consumption:

18 W when using DC power, 3 W when using rechargeable battery  
Battery life: 60 hours of continuous usage

### Power Source:

AC 117/100 V, 240/230/220 V  
DC 12 V/1.5A, DC 6 V 5Ah optional rechargeable battery

### Calibration:

RLP-S: Grams

### Overall Dimensions:

(L × W × H)  
11.4 × 9.9 × 5.3 in  
(290 × 252 × 135 mm)

### Package Size:

(L × W × H)  
14.8 × 13.3 × 9.6 in  
(377 × 337 × 245 mm)

### Platter Size:

9.3 × 7.8 in  
(237 × 198.0 mm)

### Approximate Weight:

15 lb (6.3 kg)

### Warranty:

One-year limited

### Approvals:

NTEP CC 10-068, Class III 3,000 d  
Measurement Canada AM-5794



### Standard Features

- Simple operation, easy to set up
- Large six-digit backlight LCD display with 1-inch (29 mm) characters protected by heavy-duty tempered glass
- Powered USB HID point of sale interface – kg model only
- Nine-pin RS-232 interface for use with SMA and NCI protocols
- Four AA alkaline battery operation for portability
- Gravitational compensation allows for adjustment of factory calibration to meet your local gravity setting, non-approved

### Specifications

#### Power:

In-line power supply (included)  
 Input: 100 to 240 VAC, +10% -15%, 3-wire w/ground  
 Terminated with standard USA 3-prong plug  
 Output: 12 V at 0.1 Amps DC minimum  
 Frequency: 50/60 Hz +/-3 Hz, standard  
 Power supply approvals: UL, CE, EN, CUL

#### Battery Type:

Four AA alkaline batteries, 6 V,  
 with low battery indication at 4.3 volts

#### Battery Life:

50 to 250 hrs depending on backlight and auto-shutdown settings

#### Resolution:

Internal: 500,000 counts

#### USB HID:

USB 2.0 full speed; Vendor ID: 1C19;  
 Product ID: 0002

#### Divisions (multi-range):

##### kg triple range:

0 to 5 kg x 0.001 kg  
 0 to 10 kg x 0.002 kg  
 0 to 35 kg x 0.01 kg

##### lb/oz dual range:

0 to 7 lb x 0.05 oz  
 0 to 70 lb x 0.2 oz

#### Divisions (Multi-Interval):

##### Kg triple interval:

0 to 5 kg x 0.001 kg  
 5 to 10 kg x 0.002 kg  
 10 to 35 kg x 0.01 kg

##### Lb/oz dual interval:

0 to 7 lb x 0.05 oz  
 7 to 70 lb x 0.2 oz

#### Material:

Display: ABS plastic housing  
 Scale base:  
 Die-cast aluminum load bridge and base housing  
 with stainless steel weight platter

#### Dynamic Response:

Response time for stable weight:  
 0 to 1,000d, 1,000 ms, maximum mean average  
 1,000d +, 1,500 ms, maximum mean average

#### Overload Protection:

Corner & center overload protection

#### Display:

Large six-digit backlight LCD display with 1-inch (29 mm) Characters protected by heavy-duty tempered glass

#### Annunciators:

Six: Zero, gross/brutto, net, W1/W2/W3 multi-range

#### Keys/Buttons:

Three: Units, on/off, F1  
 (Tare is not applicable)  
 Minimum key press life of 500,000 cycles

#### RS-232 Cable (Included):

10 ft DB 9-pin male to female, straight pass-through

#### USB Cable (Included):

46 in (1,168 mm) A/B type USB cable

#### Warranty:

Two-year limited

#### Approvals:

NTEP CC 17-002  
 Canada Weights and Measures: AM - 6050  
 CE Marked

### Approvals



Measurement  
Canada  
Approved



### Part Number/Price

Part #	Platform Capacity	Dimensions	Est. Weight	Price
187832	35 kg triple range	12 x 14 in	18 lb	\$625.00
195741	35 kg triple interval	12 x 14 in	18 lb	\$625.00
192361	70 lb dual range	12 x 14 in	18 lb	\$625.00
195742	70 lb dual interval	12 x 14 in	18 lb	\$625.00

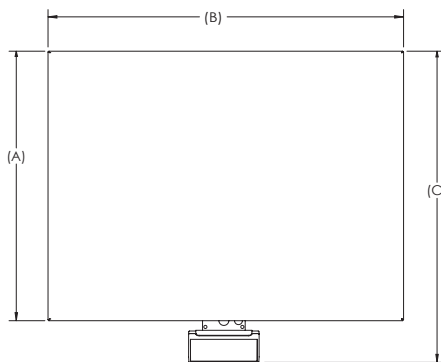
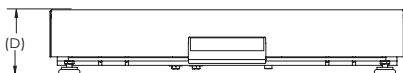
### Options/Accessories

Part #	Description	Est. Weight	Price
174783	Column bracket and post (12 x 14 scale only)	2 lb	\$50.00
180901	Second customer display, BenchPro BP-P no keyboard with 68 in cable	4 lb	\$72.00
174784	Second remote operator display, BenchPro BP-P with 68 in cable	4 lb	\$88.00
183103	16 in (H) tabletop display post for use with second display, customer or remote operator	4 lb	\$215.00
178501	USB RS-232 serial adapter 3.28 ft cable	1 lb	\$60.00

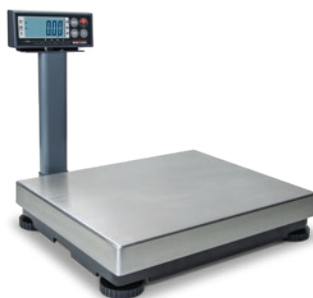
### Dimensions

BenchPro BP-P			
A	12.00 in	C	14.50 in
B	14.00 in	D	2.70 in

Note: 1 in = 25.4 mm



BP-P shown with 183103 and 180901



Shown with 174783

# BenchPro™ BP-S

Shipping Bench Scale

BENCH SCALES



## Approvals



Measurement  
Canada  
Approved



## Part Number/Price

Part #	Platform Capacity	Dimensions	Est. Weight	Price
174879 *	150 × 0.05 lb (75 × 0.02 kg)	12 × 14 in	17 lb	\$625.00
182993	150 × 0.05 lb (75 × 0.02 kg)	12 × 16 in	31 lb	\$1,135.00
182391	100 × 0.02 lb (50 × 0.01 kg)	18 × 18 in	63 lb	\$1,490.00
182378	150 × 0.05 lb (75 × 0.02 kg)	18 × 18 in	63 lb	\$1,490.00
182382	300 × 0.1 lb (150 × 0.05 kg)	18 × 18 in	63 lb	\$1,490.00
182395	300 × 0.1 lb (150 × 0.05 kg)	20 × 20 in	76 lb	\$1,670.00
182399	300 × 0.1 lb (150 × 0.05 kg)	24 × 24 in	131 lb	\$1,840.00

\* Battery or DC power

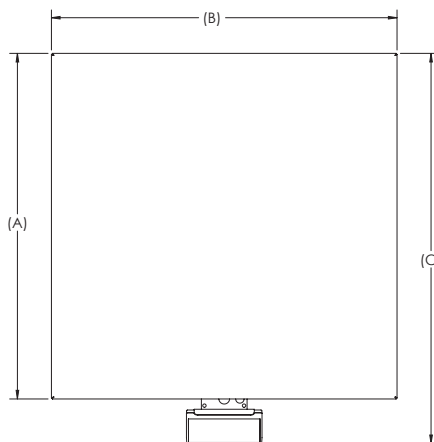
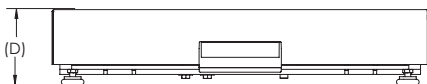
## Options/Accessories

Part #	Description	Est. Weight	Price
174783	Column bracket and post (12 × 14 scale only)	2 lb	\$50.00
180901	Second customer display, BenchPro BP-S no keyboard with 68 in cable	4 lb	\$72.00
174784	Second remote operator display, BenchPro BP-S with 68 in cable	4 lb	\$88.00
183103	16 in (H) tabletop display post for use with second display, customer or remote operator	4 lb	\$215.00
178501	USB RS-232 serial adapter	1 lb	\$60.00

## Dimensions

	A	B	C	D
12 × 14 in	12.00 in	14.00 in	14.50 in	2.70 in
12 × 16 in	12.00 in	16.00 in	15.30 in	4.32 in
18 × 18 in	18.00 in	18.00 in	21.10 in	4.30 in
20 × 20 in	20.00 in	20.00 in	23.10 in	4.30 in
24 × 24 in	24.00 in	24.00 in	27.10 in	4.30 in

Note: 1 in = 25.4 mm



## Standard Features

- Simple operation, easy to set up
- Large six-digit backlight LCD display with 1-inch (29 mm) characters protected by heavy-duty tempered glass
- Powered USB HID point of sale interface
- Nine-pin RS-232 interface for use with SMA and NCI protocols
- Four AA alkaline battery operation for portability
- Gravitational compensation allows for adjustment of factory calibration to meet your local gravity setting, non-approved
- Compatible with FedEx Ship Manager® and UPS Worldship®

## Specifications

### Power:

In-line power supply (included)  
Input: 100 to 240 VAC, +10% -15%, 3-wire w/ground  
Terminated with standard USA 3-prong plug

### Battery: (12 × 14 in scale only)

Four AA alkaline batteries,  
6 V, with low battery indication at 4.3 volts

### Power Consumption:

12 V at 0.1 Amps DC minimum

### Frequency:

50/60 Hz +/-3 Hz, standard

### Battery Life:

50 to 250 hrs depending on backlight and auto-shutdown settings

### Resolution:

Internal: 500,000 counts

### USB HID:

USB 2.0 full speed; Vendor ID: 1C19;  
Product ID: 0002

### RS-232 Cable (Included):

10 ft DB 9-pin male to female, straight pass-through

### USB Cable (Included):

46 in (1,168 mm) A/B type USB cable

### Dynamic Response:

Response time for stable weight:  
0 to 1,000d, 1,000 ms, maximum mean average  
1,000d +, 1,500 ms, maximum mean average

### Overload Protection:

Corner & center overload protection

### Annunciators:

Six: zero, gross/brutto, net, W1/W2/W3 multi-range

### Display:

Large six-digit backlight LCD display with 1-inch (29 mm)  
Characters protected by heavy-duty tempered glass

### Keys/Buttons:

Four: Units, tare, on/off, F1  
Minimum key press life of 500,000 cycles

### Material:

Display: ABS plastic housing  
Scale base: Powder coat painted mild steel  
base plate and load bridge with stainless steel  
weight platter  
BP-S 12 × 14 in: Die-cast aluminum load bridge and  
base housing with stainless steel weight platter

### Warranty:

Two-year limited

### Approvals:

NTEP CC 17-002  
Canada Weights and Measures: AM-6050  
CE Marked

# BenchPro™ BP-SB

Shipping Bench Scale with Ball Top Shroud

BENCH SCALES



## Approvals



Measurement  
Canada  
Approved



## Part Number/Price

Part #	Capacity	Dimensions	Est. Weight	Price
182995	150 × 0.05 lb (75 × 0.02 kg)	12 × 16 in	37 lb	\$1,365.00
182393	100 × 0.02 lb (50 × 0.01 kg)	18 × 18 in	73 lb	\$1,835.00
182380	150 × 0.05 lb (75 × 0.02 kg)	18 × 18 in	73 lb	\$1,835.00
182384	300 × 0.1 lb (150 × 0.05 kg)	18 × 18 in	73 lb	\$1,835.00
182397	300 × 0.1 lb (150 × 0.05 kg)	20 × 20 in	88 lb	\$2,035.00
182401	300 × 0.1 lb (150 × 0.05 kg)	24 × 24 in	131 lb	\$2,240.00

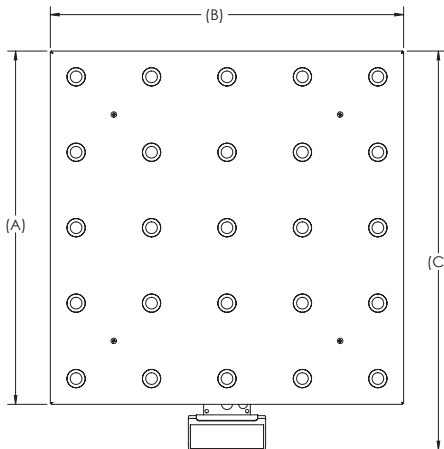
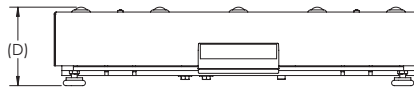
## Options/Accessories

Part #	Description	Est. Weight	Price
180901	Second customer display, BenchPro BP-SB no keyboard with 68 in cable	4 lb	\$72.00
174784	Second remote operator display, BenchPro BP-SB with 68 in cable	4 lb	\$88.00
183103	16 in (H) tabletop display post for use with second display, customer or remote operator	4 lb	\$215.00
178501	USB RS-232 serial adapter	1 lb	\$60.00

## Dimensions

	A	B	C	D
12 × 16 in	12.00 in	16.00 in	15.30 in	4.32 in
18 × 18 in	18.00 in	18.00 in	21.10 in	4.86 in
20 × 20 in	20.00 in	20.00 in	23.10 in	4.86 in
24 × 24 in	24.00 in	24.00 in	27.10 in	4.86 in

Note: 1 in = 25.4 mm



## Standard Features

- Simple operation, easy to set up
- Large six-digit backlight LCD display with 1-inch (29 mm) characters protected by heavy-duty tempered glass
- Powered USB HID point of sale interface
- Nine-pin RS-232 interface for use with SMA and NCI protocols
- Gravitational compensation allows for adjustment of factory calibration to meet your local gravity setting, non-approved
- Compatible with FedEx Ship Manager® and UPS Worldship®

## Specifications

### Power:

In-line power supply (included)  
Input: 100 to 240 VAC, +10% -15%, 3-wire w/ground  
Terminated with standard USA 3-prong plug  
Output: 12 V at 0.1 Amps DC minimum  
Frequency: 50/60 Hz +/-3 Hz, standard  
Approvals: UL, CE, EN, CUL

### Resolution:

Internal: 500,000 counts

### USB HID:

USB 2.0 full speed; Vendor ID: 1C19;  
Product ID: 0002

### RS-232 Cable (Included):

10 ft DB 9-pin male to female, straight pass-through

### USB Cable (Included):

46 in (1,168 mm) A/B type USB cable

### Dynamic Response:

Response time for stable weight:  
0 to 1,000d, 1,000 ms, maximum mean average  
1,000d +, 1,500 ms, maximum mean average

### Overload Protection:

Corner & center overload protection

### Annunciators:

Six: Zero, gross/brutto, net, W1/W2/W3 multi-range

### Display:

Large six-digit backlight LCD display with 1-inch (29 mm) Characters protected by heavy-duty tempered glass

### Keys/Buttons:

Four: Units, tare, on/off, F1  
Minimum key press life of 500,000 cycles

### Material:

Display: A BS plastic housing  
Scale base: Powder coat painted mild steel base plate and load bridge.  
Carbon steel ball with carbon steel zinc-plated housing. Stainless steel shroud.

### Warranty:

Two-year limited

### Approvals:

NTEP CC 17-002  
Canada Weights and Measures: AM - 6050  
CE Marked



# BenchPro™ BP-SR

Shipping Bench Scale with Roller Conveyor

BENCH SCALES



## Approvals



Measurement  
Canada  
Approved



## Part Number/Price

Part #	Platform Capacity	Dimensions	Est. Weight	Price
182996	150 × 0.05 lb (75 × 0.02 kg)	12 × 16 in	41 lb	\$1,290.00
182394	100 × 0.02 lb (50 × 0.01 kg)	18 × 18 in	77 lb	\$1,650.00
182381	150 × 0.05 lb (75 × 0.02 kg)	18 × 18 in	77 lb	\$1,650.00
182386	300 × 0.1 lb (150 × 0.05 kg)	18 × 18 in	77 lb	\$1,650.00
182398	300 × 0.1 lb (150 × 0.05 kg)	20 × 20 in	94 lb	\$1,769.00
182402	300 × 0.1 lb (150 × 0.05 kg)	24 × 24 in	131 lb	\$1,939.00

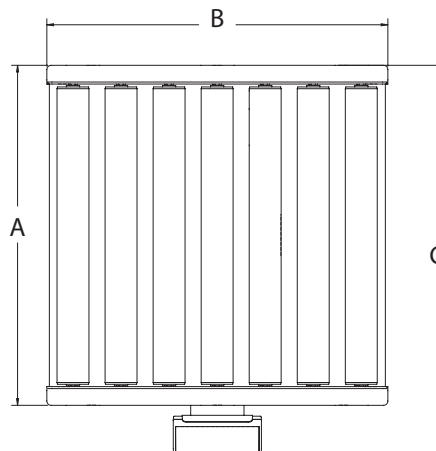
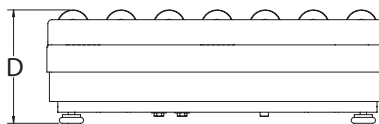
## Options/Accessories

Part #	Description	Est. Weight	Price
180901	Second customer display, BenchPro BP-SR no keyboard with 68 in cable	4 lb	\$72.00
174784	Second remote operator display, BenchPro BP-SR with 68 in cable	4 lb	\$88.00
183103	16 in (H) tabletop display post for use with second display, customer or remote operator	4 lb	\$215.00
178501	USB RS-232 serial adapter	1 lb	\$60.00

## Dimensions

	A	B	C	D
12 × 16 in	12.00 in	16.00 in	15.30 in	5.95 in
18 × 18 in	18.00 in	18.00 in	21.10 in	6.50 in
20 × 20 in	20.00 in	20.00 in	23.10 in	6.50 in
24 × 24 in	24.00 in	24.00 in	27.10 in	6.50 in

Note: 1 in = 25.4 mm



## Standard Features

- Simple operation, easy to set up
- Large six-digit backlight LCD display with 1-inch (29-mm) characters protected by heavy-duty tempered glass
- Powered USB HID point of sale interface
- Nine-pin RS-232 interface for use with SMA and NCI protocols
- Gravitational compensation allows for adjustment of factory calibration to meet your local gravity setting, non-approved
- Compatible with FedEx Ship Manager® and UPS Worldship®

## Specifications

### Power:

In-line power supply (included)  
Input: 100 to 240 VAC, +10% -15%, 3-wire w/ground  
Terminated with standard USA 3-prong plug  
Output: 12 V at 0.1 Amps DC minimum  
Frequency: 50/60 Hz +/-3 Hz, standard  
Approvals: UL, CE, EN, CUL

### Resolution:

Internal: 500,000 counts

### USB HID:

USB 2.0 full speed; Vendor ID: 1C19;  
Product ID: 0002

### RS-232 Cable (Included):

10 ft DB 9-pin male to female, straight pass-through

### USB Cable (Included):

46 in (1,168 mm) A/B type USB cable

### Dynamic Response:

Response time for stable weight:  
0 to 1,000d, 1,000 ms, maximum mean average  
1,000d +, 1,500 ms, maximum mean average

### Overload Protection:

Corner & center overload protection

### Annunciators:

Six: zero, gross/brutto, net, W1/W2/W3 multi-range

### Display:

Large six-digit backlight LCD display with 1-inch (29 mm) Characters protected by heavy-duty tempered glass

### Keys/Buttons:

Four: Units, tare, on/off, F1  
Minimum key press life of 500,000 cycles

### Material:

Display: A BS plastic housing  
Scale base: Powder coat painted mild steel base plate and load bridge with stainless steel roller conveyor

### Warranty:

Two-year limited

### Approvals:

NTEP CC 17-002  
Canada Weights and Measures: AM - 6050  
CE Marked



# BenchMark<sup>®</sup> MSC-10

Mobile Scale Cart

BENCH SCALES



## Standard Features

- Two swivel, locking casters and two rigid casters
- Adjustable height with telescoping tube designed legs
- 18-inch indicator stand for mounting CW-90/90X, 480/480 Plus, 482/482 Plus, 680 Synergy, 380 Synergy

## Specifications

**Capacity:**  
1,000 lb (500 kg) maximum

**Warranty:**  
One-year limited

## Part Number/Price

Part #	Description	Cart Dimensions (L × W × H)	Est. Weight	Price
<b>Mild Steel</b>				
190201	Designed for 12 × 18 in Benchmark MS scale	25 × 14 × 41.89-51.89 in (22.78 to 32.78 in*)	70 lb	\$1,275.00
190202	Designed for 18 × 18 in Benchmark MS scale	25 × 20 × 41.89-51.89 in (22.78 to 32.78 in*)	83 lb	\$1,305.00
190203	Designed for 18 × 24 in Benchmark MS scale	31 × 20 × 41.89-51.89 in (22.78 to 32.78 in*)	93 lb	\$1,335.00
190204	Designed for 24 × 24 in Benchmark MS scale	31 × 26 × 41.89-51.89 in (22.78 to 32.78 in*)	101 lb	\$1,365.00
<b>Stainless Steel</b>				
190205	Designed for 12 × 18 in Benchmark SS and Benchmark HE scale	25 × 14 × 41.89-51.89 in (22.78 to 32.78 in*)	70 lb	\$1,595.00
190206	Designed for 18 × 18 in Benchmark SS and Benchmark HE scale	25 × 20 × 41.89-51.89 in (22.78 to 32.78 in*)	83 lb	\$1,640.00
190207	Designed for 18 × 24 in Benchmark SS and Benchmark HE scale	31 × 20 × 41.89-51.89 in (22.78 to 32.78 in*)	93 lb	\$1,685.00
190209	Designed for 24 × 24 in Benchmark SS and Benchmark HE scale	31 × 26 × 41.89-51.89 in (22.78 to 32.78 in*)	101 lb	\$1,730.00

\*Height of cart without indicator stand

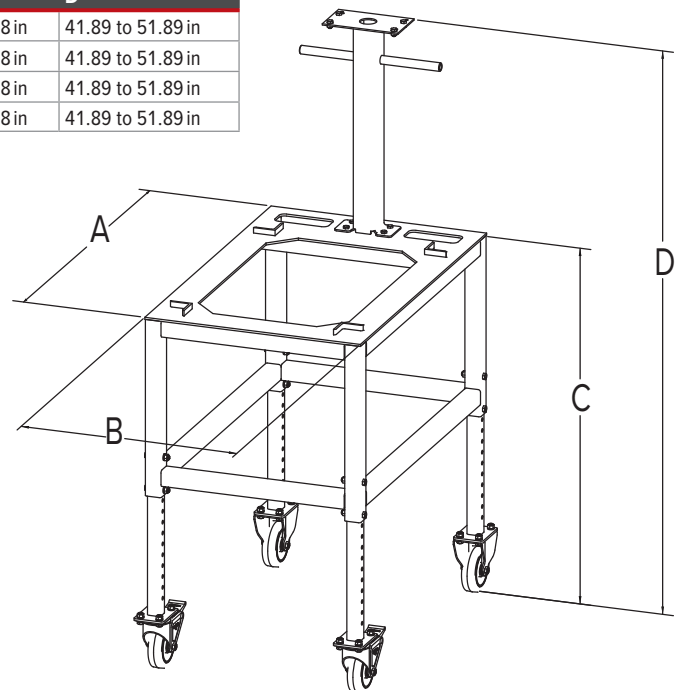
Wheels on standard carts are not conductive. If the end user plans to use the cart with an IS indicator, they will need a custom cart quoted with conductive wheels.

Cart not compatible with HE-X. See MSC-40.

## Dimensions

	A	B	C	D
Designed for 12 × 18 in scale	25.00 in	14.00 in	22.78 to 32.78 in	41.89 to 51.89 in
Designed for 18 × 18 in scale	25.00 in	20.00 in	22.78 to 32.78 in	41.89 to 51.89 in
Designed for 18 × 24 in scale	31.00 in	20.00 in	22.78 to 32.78 in	41.89 to 51.89 in
Designed for 24 × 24 in scale	31.00 in	26.00 in	22.78 to 32.78 in	41.89 to 51.89 in

Note: 1 in = 25.4 mm



# BenchMark® MSC-20

Mobile Scale Cart

BENCH SCALES



## Standard Features

- Two swivel, locking casters and two rigid casters
- Designed to easily transport counting scale and secondary scale

## Specifications

### Capacity:

Lower base frame: 1,000 lb (500 kg) maximum  
Upper base frame: 50 lb (25 kg) maximum

### Warranty:

One-year limited

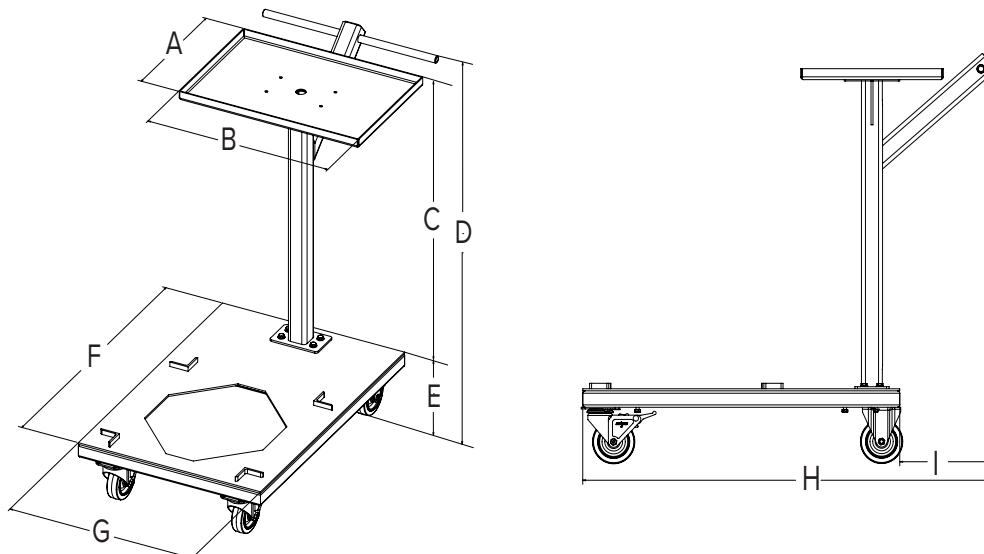
## Part Number/Price

Part #	Description	Est. Weight	Price
<b>Mild Steel</b>			
197502	Designed for 12 × 18 in Benchmark MS scale	85 lb	\$1,360.00
197503	Designed for 18 × 18 in Benchmark MS scale	85 lb	\$1,380.00
197504	Designed for 18 × 24 in Benchmark MS scale	88 lb	\$1,405.00
197505	Designed for 24 × 24 in Benchmark MS scale	96 lb	\$1,425.00
<b>Stainless Steel</b>			
197506	Designed for 12 × 18 in Benchmark SS and Benchmark HE scale	90 lb	\$1,930.00
197507	Designed for 18 × 18 in Benchmark SS and Benchmark HE scale	90 lb	\$1,950.00
197508	Designed for 18 × 24 in Benchmark SS and Benchmark HE scale	93 lb	\$1,970.00
197509	Designed for 24 × 24 in Benchmark SS and Benchmark HE scale	101 lb	\$2,000.00

## Dimensions

	A	B	C	D	E	F	G	H	I
Designed for 12 × 18 in scale	19.50 in	13.25 in	29.18 in	36.00 in	6.81 in	30.00 in	20.00 in	39.00 in	9.00 in
Designed for 18 × 18 in scale	19.50 in	13.25 in	29.18 in	36.00 in	6.81 in	30.00 in	20.00 in	39.00 in	9.00 in
Designed for 18 × 24 in scale	19.50 in	13.25 in	29.18 in	36.00 in	6.81 in	35.00 in	20.00 in	44.00 in	9.00 in
Designed for 24 × 24 in scale	19.50 in	13.25 in	29.18 in	36.00 in	6.81 in	35.00 in	26.00 in	44.00 in	9.00 in

Note: 1 in = 25.4 mm



# BenchMark® MSC-30

Mobile Scale Cart

BENCH SCALES



## Standard Features

- Two swivel, locking casters and two rigid casters
- Indicator stand for mounting CW-90/90X, 480/480Plus, 482/482Plus, 680 Synergy, 380 Synergy

## Specifications

**Capacity:**  
1,000 lb (500 kg) maximum

**Warranty:**  
One-year limited

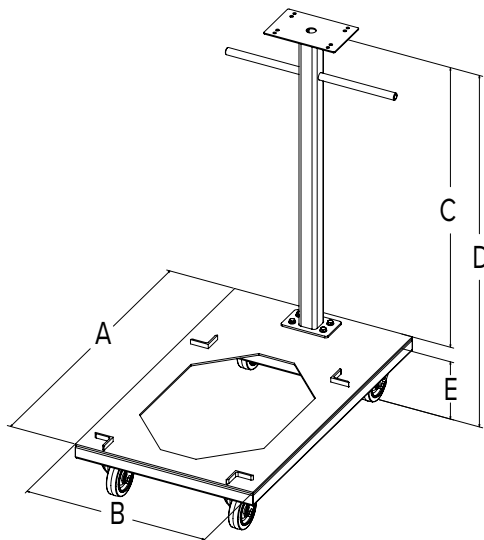
## Part Number/Price

Part #	Description	Est. Weight	Price
<b>Mild Steel</b>			
197510	Designed for 12 × 18 Benchmark MS scale	67 lb	\$1,360.00
197511	Designed for 18 × 18 Benchmark MS scale	67 lb	\$1,380.00
197512	Designed for 18 × 24 Benchmark MS scale	70 lb	\$1,405.00
197513	Designed for 24 × 24 Benchmark MS scale	78 lb	\$1,425.00
<b>Stainless Steel</b>			
197514	Designed for 12 × 18 Benchmark SS and Benchmark HE scale	72 lb	\$1,930.00
197515	Designed for 18 × 18 Benchmark SS and Benchmark HE scale	72 lb	\$1,950.00
197516	Designed for 18 × 24 Benchmark SS and Benchmark HE scale	75 lb	\$1,970.00
197517	Designed for 24 × 24 Benchmark SS and Benchmark HE scale	83 lb	\$2,000.00

## Dimensions

	A	B	C	D	E
Designed for 12 × 18 scale	30.00 in	20.00 in	34.25 in	41.00 in	6.81 in
Designed for 18 × 18 scale	30.00 in	20.00 in	34.25 in	41.00 in	6.81 in
Designed for 18 × 24 scale	35.00 in	20.00 in	34.25 in	41.00 in	6.81 in
Designed for 24 × 24 scale	35.00 in	26.00 in	34.25 in	41.00 in	6.81 in

Note: 1 in = 25.4 mm



# BenchMark® MSC-40

Mobile Scale Cart

BENCH SCALES



## Standard Features

- Two swivel, locking casters and two rigid casters
- Rugged washdown design meets Sanitary Design Principles

## Specifications

**Capacity:**  
1,000 lb (500 kg) maximum

**Warranty:**  
One-year limited

## Part Number/Price

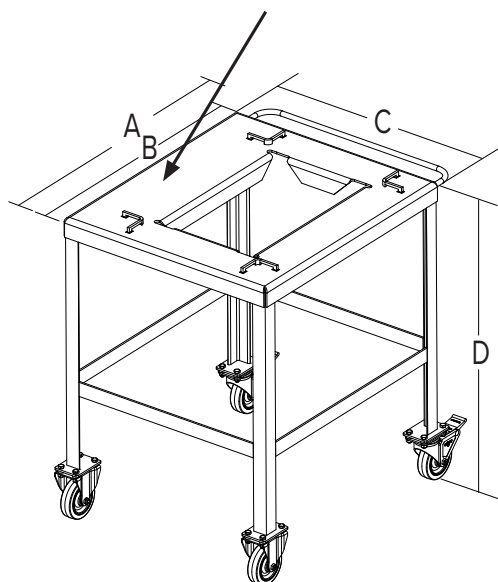
Part #	Description	Est. Weight	Price
<b>Stainless Steel</b>			
197518	Designed for 12 × 18 in Benchmark HE-X scale	62 lb	\$1,795.00
197519	Designed for 18 × 18 in Benchmark HE-X scale	62 lb	\$1,895.00
197520	Designed for 18 × 24 in Benchmark HE-X scale	69 lb	\$1,995.00
197521	Designed for 24 × 24 in Benchmark HE-X scale	79 lb	\$2,095.00

## Dimensions

	A	B	C	D
Designed for 12 × 18 in scale	24.75 in	21.00 in	17.88 in	32.00 in
Designed for 18 × 18 in scale	24.75 in	21.00 in	24.00 in	32.00 in
Designed for 18 × 24 in scale	30.75 in	27.00 in	24.00 in	32.00 in
Designed for 24 × 24 in scale	30.75 in	27.00 in	30.00 in	32.00 in

Note: 1 in = 25.4 mm

Note: This side of cart is larger to accommodate BenchMark HE-X with indicator column



# Bench Scale Ball Transfer and Roller Conveyor

1. Rice Lake Weighing Systems model number or part number of bench scale \_\_\_\_\_
2. Dimensions of scale: \_\_\_\_\_ in L × \_\_\_\_\_ in W
3. Capacity of scale: \_\_\_\_\_ lb
4. Dimensions of the smallest box/container to be used with the scale: \_\_\_\_\_ in L × \_\_\_\_\_ in W

## Ball Transfer

5. Construction of ball transfer
  - Steel ball, steel housing zinc finish
  - Stainless steel ball, steel housing zinc finish
  - Stainless steel ball, stainless steel housing
6. Center-to-center ball dimension, if known:



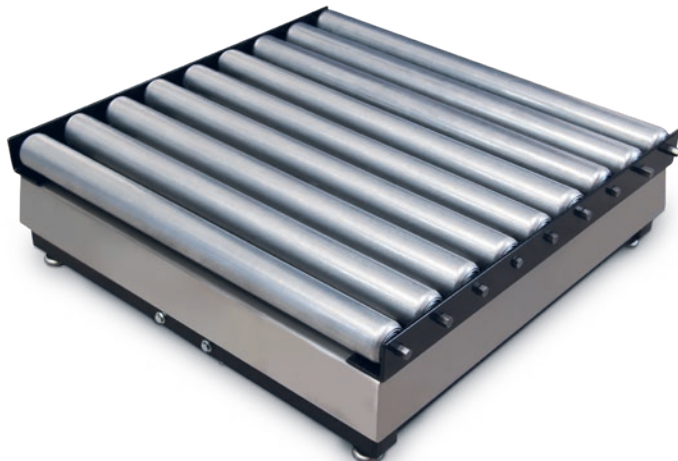
## Ball Transfer with Shroud

5. Construction of ball transfer
  - Steel ball, steel housing zinc finish
  - Stainless steel ball, stainless steel housing
6. Center-to-center ball dimension, if known:



## Roller Conveyor

8. Roller diameter, if known:
9. Center-to-center dimension, if known:
10. Construction of rollers
  - Plain steel
  - Galvanized steel
  - Aluminum
  - Stainless steel
7. Direction of roller conveyor, if platform is rectangular shaped (i.e., 18 × 24 in scale, please tell us if the rollers should be 18 in or 24 in long)



# Bench Scale Columns

## Part Number/Price

Part #	Description	Price
112044	12 in column for IQ plus® 210, CW-90, CW-90X, 480/482 Legend Series, 380 Synergy Series, 680 Synergy Series	\$145.00
112045	18 in column for IQ plus® 210, CW-90, CW-90X, 480/482 Legend Series, 380 Synergy Series, 680 Synergy Series	\$195.00
196363	12 in column for 882IS/882IS Plus with battery	\$225.00
196364	18 in column for 882IS/882IS Plus with battery	\$275.00
197482	12 in column for 882IS/882IS Plus with power supply (Note: Power supply does not mount to column)	\$165.00
197484	18 in column for 882IS/882IS Plus with power supply (Note: Power supply does not mount to column)	\$215.00
64576	Attachment bracket for IQ plus® 210, CW-90, CW-90X, 480/482 Legend Series, 380 Synergy Series, 680 Synergy Series	\$100.00
216970	12 in column for 381 Synergy Indicator	\$145.00
216971	18 in column for 381 Synergy Indicator	\$195.00

Available for the BenchMark SL, BenchMark SL/HE, BenchMark Mild Steel, BenchMark Stainless Steel, BenchMark HE, BenchMark HE-X, CW-80B, CW-90B and CW90-XB



CW-90B with 480 indicator and 12in column



Base with 882IS/882IS Plus indicator with battery and 12in column



Attachment bracket with IQ Plus 2100



Base with 381 Synergy indicator and 12in column



# Calibration Weights

## ASTM Precision

METRIC SINGLE WEIGHT WITH CASE (KITS)	
Range: 20 kg – 1 mg	206
METRIC SINGLE WEIGHTS	
Range: 20 kg – 1 mg	207
METRIC SINGLE WEIGHT WITH CASE (KITS)	
Range: 25 kg – 1 g	208
Range: 25 kg – 1 g	209
METRIC SINGLE WEIGHTS	
Range: 25 kg – 1 g	210
METRIC SINGLE WEIGHT WITH CASE (KITS)	
Range: 500 mg – 0.5 mg	212
METRIC SINGLE WEIGHTS	
Range: 500 mg – 1 mg	213
AVOIRDUPOIS SINGLE WEIGHT WITH CASE (KITS)	
Range: 30 lb – 1/16 oz	214
Range: 0.001 lb – 1/32 oz	216
AVOIRDUPOIS SINGLE WEIGHTS	
Range: 50 lb – 1/16 oz	218
Range: 0.001 lb – 1/32 oz	220
METRIC SETS	
Essential Weight Sets	221
Range: 500 mg	222
Range: 20 g	224
Range: 50 g	226
Range: 100 g	228
Range: 200 g	230
Range: 300 g and 500 g	232
Range: 1 kg	234
Range: 2 kg	235
Range: 3 kg and 5 kg	236
Range: 10 kg	240
Range: 20 kg and 25 kg	242
AVOIRDUPOIS SETS	
Range: 2 lb through 50 lb	244

## OIML Precision

METRIC SINGLE WEIGHT WITH CASE (KITS)	
Range: 20 kg – 1 g	246
Range: 500 mg – 1 mg	247
METRIC SINGLE WEIGHTS	
Range: 20 kg – 1 mg	248
METRIC SETS	
Range: 500 mg – 50 g	249
Range: 100 g	250
Range: 200 g	252
Range: 500 g	254
Range: 1 kg	255
Range: 2 kg	258
Range: 5 kg	260

Range: 10 kg	262
Range: 20 kg	264

## Balance Calibration

METRIC SINGLE WEIGHT WITH CASE (KIT)	
Range: 5 kg – 10 g	266
METRIC SINGLE WEIGHTS	
Range: 30 kg – 5 kg	268
Range: 5 kg – 10 g	269
AVOIRDUPOIS SINGLE WEIGHTS	
Range: 50 lb – 10 lb	270
Range: 10 lb – 0.05 lb	271
AVOIRDUPOIS SINGLE WEIGHT WITH CASE (KIT)	
Range: 10 lb – 0.05 lb	272

## Stainless Field

METRIC SINGLE WEIGHTS	
Range: 30 kg – 1 mg	274
AVOIRDUPOIS SINGLE WEIGHTS	
Range: 50 lb – 10 lb	275
Range: 10 lb – 0.001 lb	276
METRIC SETS	
Range: 5 g and 50 g	277
Range: 100 g	278
Range: 500 g	279
Range: 1 kg	280
Range: 2 kg	281
Range: 5 kg	282
AVOIRDUPOIS SET	
Range: 4 oz	283
Range: 1 lb	284
Range: 2 lb	285
Range: 5 lb	286
Range: 10 lb	288

## Cast Iron Field

AVOIRDUPOIS GRIP-HANDLE AND NESTING SLAB	
Range: 3,000 lb – 1 lb	290
METRIC GRIP-HANDLE	
Range: 1,000 kg – 500 g	291
AVOIRDUPOIS AND METRIC SLOTTED INTERLOCKING AND HANGER	
Range: 100 lb – 200 g	292
AVOIRDUPOIS AND METRIC COUNTERPOISE AND HANGER WEIGHTS	
Range: 200 kg – 7 oz	293
AVOIRDUPOIS COUNTERPOISE AND HANGER	
Range: 500 lb – 7 oz	294

## Specialty

METRIC CUBE AND RING WEIGHTS; AVOIRDUPOIS RING WEIGHTS	
Range: 5 lb – 25 g	296
TROY OUNCE CYLINDRICAL AND LEAF WEIGHTS	
Range: 500 oz t – 0.005 oz t	297
PENNYWEIGHT CYLINDRICAL AND LEAF, AND GRAIN WEIGHTS	
Range: 20 dwt – 20 gr	298
METRIC CUBE WEIGHTS SETS	
Range: 1 kg – 1 mg	299
AVOIRDUPOIS AND METRIC SINGLE HOOK WEIGHTS	
Range: 25 kg – 1/32 oz	300
AVOIRDUPOIS AND METRIC SINGLE HANGERS/SLOTTED WEIGHTS	
Range: 5 lb – 100 g	301
LIFT TRUCK WEIGHTS AND CLEAN ROOM CART	
Range: 50 kg – 2,000 lb	302

## Accessories

Cases	304
Sealing Plugs	306
Canvas Dust Covers	306
Gloves	306
Transfer Equipment	307
Transfer Cart	307
Touch-Up Paint	305

CALIBRATION WEIGHTS  
ASTM PRECISION

**MASS REFERENCE STANDARDS / METRIC SINGLE WEIGHT WITH CASE (KITS)**

**Range: 20 kg – 1 mg**

**Class 0**

Cylindrical

*Statement of Accuracy is not available.*

*Class 0 enclosed in case per requirements.*

**Certificate**

Nominal Value	Kit Part #	Price
20 kg	<b>45856</b>	\$4,675.00
10 kg	<b>45857</b>	\$3,075.00
5 kg	<b>45858</b>	\$2,210.00
3 kg	<b>45859</b>	\$1,940.00
2 kg	<b>45860</b>	\$1,600.00
1 kg	<b>45861</b>	\$1,180.00
500 g	<b>45862</b>	\$720.00
300 g	<b>45863</b>	\$680.00
200 g	<b>45864</b>	\$630.00
100 g	<b>45865</b>	\$525.00
50 g	<b>45866</b>	\$495.00
30 g	<b>45867</b>	\$480.00
20 g	<b>45868</b>	\$480.00
10 g	<b>45869</b>	\$480.00
5 g	<b>45870</b>	\$415.00
3 g	<b>45871</b>	\$415.00
2 g	<b>45872</b>	\$415.00
1 g	<b>45873</b>	\$415.00

Accredited
Included
Included
Included
Included
Included
Included
Included
Included
Included
Included
Included
Included
Included
Included
Included
Included
Included
Included
Included
Included



*Kits Include a Single Weight with Case and Glove*

**CALIBRATION WEIGHTS  
ASTM PRECISION**

**Class 0**

Leaf (Milligram)

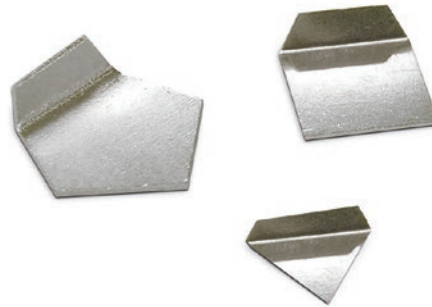
*Statement of Accuracy is not available.*

*Class 0 enclosed in vial per requirements.*

**Certificate**

Nominal Value	Kit Part #	Price
500 mg	<b>45874</b>	\$325.00
300 mg	<b>45875</b>	\$325.00
200 mg	<b>45876</b>	\$325.00
100 mg	<b>45877</b>	\$325.00
50 mg	<b>45878</b>	\$325.00
30 mg	<b>45879</b>	\$325.00
20 mg	<b>45880</b>	\$325.00
10 mg	<b>45881</b>	\$325.00
5 mg	<b>45882</b>	\$325.00
3 mg	<b>45883</b>	\$325.00
2 mg	<b>45884</b>	\$325.00
1 mg	<b>45885</b>	\$325.00

Accredited
Included
Included
Included
Included
Included
Included
Included
Included
Included
Included
Included
Included
Included
Included
Included
Included
Included
Included
Included
Included



**Replacement Cases**

Main Cases		
Class 0		
Nominal Value	Part #	Price
25 kg - 1 mg	<b>Consult</b>	Consult

**Accessories**

Description	Part #	Price
Tweezer	<b>11711</b>	\$5.25
Premium tweezer	<b>152414</b>	\$45.50
Weight glove, white cotton	<b>11714</b>	\$7.25
Leaf weight cover	<b>11755</b>	\$45.50
Lifter bar	<b>11747</b>	\$22.25
Lifter bar with larger handle	<b>11712</b>	\$77.00
Weight forceps	<b>50035</b>	\$45.50
Tong assembly	<b>50000</b>	\$78.00

# Range: 20 kg – 1 mg

### Class 0

Cylindrical

Statement of Accuracy is not available.

Class 0 enclosed in case per requirements.

Nominal Value	Part #	Price
20 kg	<b>46097</b>	\$4,600.00
10 kg	<b>46096</b>	\$3,000.00
5 kg	<b>46095</b>	\$2,140.00
3 kg	<b>46094</b>	\$1,920.00
2 kg	<b>46093</b>	\$1,570.00
1 kg	<b>46092</b>	\$1,160.00
500 g	<b>46091</b>	\$695.00
300 g	<b>46090</b>	\$660.00
200 g	<b>46089</b>	\$610.00
100 g	<b>46088</b>	\$510.00
50 g	<b>46087</b>	\$460.00
30 g	<b>46086</b>	\$460.00
20 g	<b>46085</b>	\$460.00
10 g	<b>46084</b>	\$460.00
5 g	<b>46083</b>	\$395.00
3 g	<b>46082</b>	\$395.00
2 g	<b>46081</b>	\$395.00
1 g	<b>46080</b>	\$395.00

### Certificate

Accredited
Included
Included
Included
Included
Included
Included
Included
Included
Included
Included
Included
Included
Included
Included
Included
Included
Included
Included
Included



Cylindrical Weight

CALIBRATION WEIGHTS  
ASTM PRECISION

### Class 0

Leaf (Milligram)

Statement of Accuracy is not available, and weight requires a case for shipping.

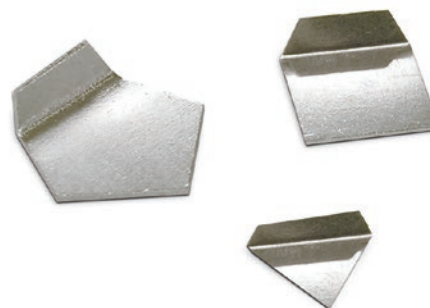
For special kits, single weights must ship in a case.

Single leaf weights must ship in a vial.

Nominal Value	Part #	Price
500 mg	<b>46079</b>	\$315.00
300 mg	<b>46078</b>	\$315.00
200 mg	<b>46077</b>	\$315.00
100 mg	<b>46076</b>	\$315.00
50 mg	<b>46075</b>	\$315.00
30 mg	<b>46074</b>	\$315.00
20 mg	<b>46073</b>	\$315.00
10 mg	<b>46072</b>	\$315.00
5 mg	<b>46071</b>	\$315.00
3 mg	<b>46070</b>	\$315.00
2 mg	<b>46069</b>	\$315.00
1 mg	<b>46068</b>	\$315.00

### Certificate

Accredited
Included
Included
Included
Included
Included
Included
Included
Included
Included
Included
Included
Included
Included
Included
Included
Included
Included
Included
Included



## Replacement Cases

Main Cases		
Class 0		
Nominal Value	Part #	Price
25 kg - 1 mg	<b>Consult</b>	Consult

## Accessories

Description	Part #	Price
Tweezer	<b>11711</b>	\$5.25
Premium tweezer	<b>152414</b>	\$45.50
Weight glove, white cotton	<b>11714</b>	\$7.25
Leaf weight cover	<b>11755</b>	\$45.50
Lifter bar	<b>11747</b>	\$22.25
Lifter bar with larger handle	<b>11712</b>	\$77.00
Weight forceps	<b>50035</b>	\$45.50
Tong assembly	<b>50000</b>	\$78.00

MASS REFERENCE STANDARDS / METRIC SINGLE WEIGHT WITH CASE (KITS)

Range: 25 kg – 1g

CALIBRATION WEIGHTS  
ASTM PRECISION

**Class 1**

Class 1 enclosed in vial/case per requirements.

Nominal Value	Kit Part #	Price
25 kg	Consult	Consult
20 kg	<b>82590</b>	\$4,175.00
10 kg	<b>82591</b>	\$2,370.00
5 kg	<b>82592</b>	\$1,360.00
3 kg	<b>82593</b>	\$1,090.00
2 kg	<b>82594</b>	\$880.00
1kg	<b>82595</b>	\$615.00
500 g	<b>82596</b>	\$265.00
300 g	<b>82597</b>	\$205.00
200 g	<b>82598</b>	\$195.00
100g	<b>82599</b>	\$140.00
50 g	<b>82600</b>	\$135.00
30 g	<b>82601</b>	\$130.00
20 g	<b>82602</b>	\$125.00
10g	<b>82603</b>	\$125.00
5g	<b>82604</b>	\$125.00
3g	<b>82605</b>	\$105.00
2g	<b>82606</b>	\$105.00
1g	<b>82607</b>	\$90.00

**Optional Certificate**

Accredited	Non-Accredited
Consult	Consult
\$145.00	\$80.00
\$145.00	\$80.00
\$145.00	\$80.00
\$145.00	\$80.00
\$145.00	\$80.00
\$125.00	\$60.00
\$125.00	\$60.00
\$125.00	\$60.00
\$125.00	\$60.00
\$55.00	\$45.00
\$55.00	\$45.00
\$55.00	\$45.00
\$55.00	\$45.00
\$55.00	\$45.00
\$55.00	\$45.00
\$55.00	\$45.00
\$55.00	\$45.00
\$55.00	\$45.00
\$55.00	\$45.00
\$55.00	\$45.00

**Class 3**

Class 3 enclosed in vial/case per requirements.

Weight	Kit Part #	Price
25 kg	Consult	Consult
20 kg	<b>82674</b>	\$2,800.00
10 kg	<b>82675</b>	\$2,080.00
5 kg	<b>82676</b>	\$1,320.00
3 kg	<b>82677</b>	\$1,010.00
2 kg	<b>82678</b>	\$795.00
1kg	<b>82679</b>	\$520.00
500 g	<b>82680</b>	\$250.00
300 g	<b>82681</b>	\$185.00
200 g	<b>82682</b>	\$175.00
100 g	<b>82683</b>	\$135.00
50 g	<b>82684</b>	\$125.00
30 g	<b>82685</b>	\$120.00
20 g	<b>82686</b>	\$105.00
10g	<b>82687</b>	\$105.00
5g	<b>82688</b>	\$77.00
3g	<b>82689</b>	\$77.00
2g	<b>82690</b>	\$77.00
1g	<b>82691</b>	\$77.00

**Optional Certificate**

Accredited	Non-Accredited
Consult	Consult
\$145.00	\$80.00
\$145.00	\$80.00
\$145.00	\$80.00
\$145.00	\$80.00
\$145.00	\$80.00
\$125.00	\$60.00
\$125.00	\$60.00
\$125.00	\$60.00
\$125.00	\$60.00
\$55.00	\$45.00
\$55.00	\$45.00
\$55.00	\$45.00
\$55.00	\$45.00
\$55.00	\$45.00
\$55.00	\$45.00
\$55.00	\$45.00
\$55.00	\$45.00
\$55.00	\$45.00
\$55.00	\$45.00
\$55.00	\$45.00

**Class 2**

Class 2 enclosed in vial/case per requirements.

Nominal Value	Kit Part #	Price
25 kg	Consult	Consult
20 kg	<b>82632</b>	\$2,825.00
10 kg	<b>82633</b>	\$2,270.00
5 kg	<b>82634</b>	\$1,320.00
3 kg	<b>82635</b>	\$1,040.00
2 kg	<b>82636</b>	\$810.00
1kg	<b>82637</b>	\$535.00
500 g	<b>82638</b>	\$265.00
300 g	<b>82639</b>	\$195.00
200 g	<b>82640</b>	\$185.00
100g	<b>82641</b>	\$140.00
50 g	<b>82642</b>	\$130.00
30 g	<b>82643</b>	\$120.00
20 g	<b>82644</b>	\$105.00
10g	<b>82645</b>	\$105.00
5g	<b>82646</b>	\$90.00
3g	<b>82647</b>	\$90.00
2g	<b>82648</b>	\$90.00
1g	<b>82649</b>	\$90.00

**Optional Certificate**

Accredited	Non-Accredited
Consult	Consult
\$145.00	\$80.00
\$145.00	\$80.00
\$145.00	\$80.00
\$145.00	\$80.00
\$145.00	\$80.00
\$125.00	\$60.00
\$125.00	\$60.00
\$125.00	\$60.00
\$125.00	\$60.00
\$55.00	\$45.00
\$55.00	\$45.00
\$55.00	\$45.00
\$55.00	\$45.00
\$55.00	\$45.00
\$55.00	\$45.00
\$55.00	\$45.00
\$55.00	\$45.00
\$55.00	\$45.00
\$55.00	\$45.00
\$55.00	\$45.00



**Replacement Cases**

Main Cases		
Class 1, 2 and 3		
Nominal Value	Part #	Price
25 kg	Consult	Consult
20 kg	<b>80703</b>	\$265.00
10 kg	<b>80704</b>	\$265.00
5 kg	<b>80705</b>	\$195.00
3 kg	<b>190274</b>	\$40.50
2 kg	<b>190271</b>	\$40.50
1kg	<b>190264</b>	\$40.50
500 g	<b>189715</b>	\$40.50
300 g	<b>196467</b>	\$39.50
200 g	<b>189637</b>	\$40.50

Main Cases		
Class 1, 2 and 3		
Nominal Value	Part #	Price
100 g	<b>189570</b>	\$44.50
50 g	<b>189509</b>	\$44.50
30 g	<b>189486</b>	\$44.50
20 g	<b>189484</b>	\$44.50
10g	<b>189461</b>	\$44.50
5g	<b>189349</b>	\$44.50
3g	<b>194033</b>	\$42.00
2g	<b>189237</b>	\$44.50
1g	<b>198502</b>	\$42.00

**Accessories**

Description	Part #	Price
Statement of Accuracy	<b>36092</b>	\$47.50
Serial number	<b>25836</b>	\$17.00
Tweezer	<b>11711</b>	\$5.25
Premium tweezer	<b>152414</b>	\$45.50
Weight glove, white cotton	<b>11714</b>	\$7.25
Leaf weight cover	<b>11755</b>	\$45.50
Lifter bar	<b>11747</b>	\$22.25
Lifter bar with larger handle	<b>11712</b>	\$77.00

**MASS REFERENCE STANDARDS / METRIC SINGLE WEIGHT WITH CASE (KITS)**

**Range: 25 kg – 1g**

**Class 4**

Nominal Value	Kit Part #	Price	Optional Certificate Accredited
25 kg	Consult	Consult	Consult
20 kg	<b>82716</b>	\$2,575.00	\$75.00
10 kg	<b>82717</b>	\$1,870.00	\$75.00
5 kg	<b>82718</b>	\$1,300.00	\$75.00
3 kg	<b>82719</b>	\$935.00	\$75.00
2 kg	<b>82720</b>	\$765.00	\$75.00
1kg	<b>82721</b>	\$505.00	\$55.00
500 g	<b>82722</b>	\$245.00	\$55.00
300 g	<b>82723</b>	\$175.00	\$55.00
200 g	<b>82724</b>	\$150.00	\$55.00
100 g	<b>82725</b>	\$105.00	\$40.00
50 g	<b>82726</b>	\$105.00	\$40.00
30 g	<b>82727</b>	\$90.00	\$40.00
20 g	<b>82728</b>	\$90.00	\$40.00
10 g	<b>82729</b>	\$83.00	\$40.00
5 g	<b>82730</b>	\$66.00	\$40.00
3 g	<b>82731</b>	\$66.00	\$40.00
2 g	<b>82732</b>	\$66.00	\$40.00
1g	<b>82733</b>	\$66.00	\$40.00

**CALIBRATION WEIGHTS  
ASTM PRECISION**



*Kits include a Single Weight with Case and Glove*

**Replacement Cases**

Main Cases		
Class 4		
Nominal Value	Part #	Price
25 kg	Consult	Consult
20 kg	<b>80703</b>	\$265.00
10 kg	<b>80704</b>	\$265.00
5 kg	<b>80705</b>	\$195.00
3 kg	<b>190274</b>	\$40.50
2 kg	<b>190271</b>	\$40.50
1kg	<b>190264</b>	\$40.50
500 g	<b>189715</b>	\$40.50
300 g	<b>196467</b>	\$39.50
200 g	<b>189637</b>	\$40.50
100 g	<b>189570</b>	\$44.50

Main Cases		
Class 4		
Nominal Value	Part #	Price
50 g	<b>189509</b>	\$44.50
30 g	<b>189486</b>	\$44.50
20 g	<b>189484</b>	\$44.50
10 g	<b>189461</b>	\$44.50
5 g	<b>189349</b>	\$44.50
3 g	<b>194033</b>	\$42.00
2 g	<b>189237</b>	\$44.50
1g	<b>198502</b>	\$42.00

**Accessories**

Description	Part #	Price
Statement of Accuracy	<b>36092</b>	\$47.50
Serial number	<b>25836</b>	\$17.00
Tweezer	<b>11711</b>	\$5.25
Premium tweezer	<b>152414</b>	\$45.50
Weight glove, white cotton	<b>11714</b>	\$7.25
Leaf weight cover	<b>11755</b>	\$45.50
Lifter bar	<b>11747</b>	\$22.25
Lifter bar with larger handle	<b>11712</b>	\$77.00







# Range: 25 kg – 1g

### Class 4

For special kits, single weights must ship in a case.

### Optional Certificate

Nominal Value	Part #	Price	Accredited
25 kg	<b>12375</b>	\$4,450.00	Consult
20 kg	<b>12374</b>	\$2,450.00	\$75.00
10 kg	<b>12373</b>	\$1,730.00	\$75.00
5 kg	<b>12372</b>	\$1,160.00	\$75.00
3 kg	<b>12371</b>	\$905.00	\$75.00
2 kg	<b>12370</b>	\$735.00	\$75.00
1 kg	<b>12369</b>	\$480.00	\$55.00
500 g	<b>12368</b>	\$230.00	\$55.00
300 g	<b>12367</b>	\$160.00	\$55.00
200 g	<b>12366</b>	\$140.00	\$55.00
100 g	<b>12365</b>	\$98.00	\$40.00
50 g	<b>12364</b>	\$79.00	\$40.00
30 g	<b>12363</b>	\$72.00	\$40.00
20 g	<b>12362</b>	\$72.00	\$40.00
10 g	<b>12361</b>	\$72.00	\$40.00
5 g	<b>12360</b>	\$51.00	\$40.00
3 g	<b>12359</b>	\$51.00	\$40.00
2 g	<b>12358</b>	\$51.00	\$40.00
1g	<b>12357</b>	\$51.00	\$40.00

CALIBRATION WEIGHTS  
ASTM PRECISION



## Replacement Cases

Main Cases		
Class 4		
Nominal Value	Part #	Price
25 kg	Consult	Consult
20 kg	<b>80703</b>	\$265.00
10 kg	<b>80704</b>	\$265.00
5 kg	<b>80705</b>	\$195.00
3 kg	<b>190274</b>	\$40.50
2 kg	<b>190271</b>	\$40.50
1 kg	<b>190264</b>	\$40.50
500 g	<b>189715</b>	\$40.50
300 g	<b>196467</b>	\$39.50
200 g	<b>189637</b>	\$40.50

Main Cases		
Class 4		
Nominal Value	Part #	Price
100 g	<b>189570</b>	\$44.50
50 g	<b>189509</b>	\$44.50
30 g	<b>189484</b>	\$44.50
20 g	<b>189484</b>	\$44.50
10 g	<b>189461</b>	\$44.50
5 g	<b>189349</b>	\$44.50
3 g	<b>194033</b>	\$42.00
2 g	<b>189237</b>	\$44.50
1g	<b>198502</b>	\$42.00

## Accessories

Description	Part #	Price
Statement of Accuracy	<b>36092</b>	\$47.50
Serial number	<b>25836</b>	\$17.00
Tweezer	<b>11711</b>	\$5.25
Premium tweezer	<b>152414</b>	\$45.50
Weight glove, white cotton	<b>11714</b>	\$7.25
Leaf weight cover	<b>11755</b>	\$45.50
Lifter bar	<b>11747</b>	\$22.25
Lifter bar with larger handle	<b>11712</b>	\$77.00



MASS REFERENCE STANDARDS / METRIC SINGLE WEIGHTS

Range: 500 mg – 1 mg

**Class 1**

Single leaf weights must ship in a vial.

Nominal Value	Part #	Price
500 mg	11852	\$72.00
300 mg	11851	\$72.00
200 mg	11850	\$72.00
100 mg	11849	\$72.00
50 mg	11847	\$72.00
30 mg	11846	\$72.00
20 mg	11845	\$72.00
10 mg	11844	\$72.00
5 mg	11842	\$72.00
3 mg	11841	\$72.00
2 mg	11840	\$72.00
1 mg	11839	\$72.00

**Optional Certificate**

Accredited	Non-Accredited
\$55.00	\$45.00
\$55.00	\$45.00
\$55.00	\$45.00
\$55.00	\$45.00
\$55.00	\$45.00
\$55.00	\$45.00
\$55.00	\$45.00
\$55.00	\$45.00
\$55.00	\$45.00
\$55.00	\$45.00
\$55.00	\$45.00
\$55.00	\$45.00

**Class 3**

Single leaf weights must ship in a vial.

Nominal Value	Part #	Price
500 mg	12253	\$42.00
300 mg	12252	\$42.00
200 mg	12251	\$42.00
100 mg	12250	\$42.00
50 mg	12248	\$42.00
30 mg	12247	\$42.00
20 mg	12246	\$42.00
10 mg	12245	\$42.00
5 mg	12244	\$42.00
3 mg	12243	\$42.00
2 mg	12242	\$42.00
1 mg	12241	\$42.00

**Optional Certificate**

Accredited	Non-Accredited
\$55.00	\$45.00
\$55.00	\$45.00
\$55.00	\$45.00
\$55.00	\$45.00
\$55.00	\$45.00
\$55.00	\$45.00
\$55.00	\$45.00
\$55.00	\$45.00
\$55.00	\$45.00
\$55.00	\$45.00
\$55.00	\$45.00
\$55.00	\$45.00

**Class 2**

Single leaf weights must ship in a vial.

Nominal Value	Part #	Price
500 mg	12107	\$45.50
300 mg	12106	\$45.50
200 mg	12105	\$45.50
100 mg	12104	\$45.50
50 mg	12102	\$45.50
30 mg	12101	\$45.50
20 mg	12100	\$45.50
10 mg	12099	\$45.50
5 mg	12097	\$45.50
3 mg	12096	\$45.50
2 mg	12095	\$45.50
1 mg	12094	\$45.50

**Optional Certificate**

Accredited	Non-Accredited
\$55.00	\$45.00
\$55.00	\$45.00
\$55.00	\$45.00
\$55.00	\$45.00
\$55.00	\$45.00
\$55.00	\$45.00
\$55.00	\$45.00
\$55.00	\$45.00
\$55.00	\$45.00
\$55.00	\$45.00
\$55.00	\$45.00
\$55.00	\$45.00

**Class 4**

Single leaf weights must ship in a vial.

Nominal Value	Part #	Price
500 mg	12356	\$39.50
300 mg	12355	\$39.50
200 mg	12354	\$39.50
100 mg	12353	\$39.50
50 mg	12352	\$39.50
30 mg	12351	\$39.50
20 mg	12350	\$39.50
10 mg	22198	\$39.50
5 mg	22197	\$39.50
3 mg	22196	\$39.50
2 mg	22195	\$39.50
1 mg	22194	\$39.50

**Optional Certificate**

Accredited
\$40.00
\$40.00
\$40.00
\$40.00
\$40.00
\$40.00
\$40.00
\$40.00
\$40.00
\$40.00
\$40.00
\$40.00

CALIBRATION WEIGHTS  
ASTM PRECISION



Leaf (Milligram) Weight

**Accessories**

Description	Part #	Price
Statement of Accuracy	36092	\$47.50
Serial number	25836	\$17.00
Tweezer	11711	\$5.25
Premium tweezer	152414	\$45.50
Weight glove, white cotton	11714	\$7.25
Leaf weight cover	11755	\$45.50
Lifter bar	11747	\$22.25
Lifter bar with larger handle	11712	\$77.00
Replacement vial 500 mg to 0.5 mg	50038	\$5.25

Range: 30 lb – 1/16 oz

CALIBRATION WEIGHTS  
ASTM PRECISION

Class 1			Optional Certificate		Class 2			Optional Certificate	
Nominal Value	Kit Part #	Price	Accredited	Non-Accredited	Nominal Value	Kit Part #	Price	Accredited	Non-Accredited
30 lb	82581	\$4,350.00	\$130.00	\$85.00	30 lb	82625	\$4,250.00	\$130.00	\$85.00
25 lb	82580	\$3,000.00	\$130.00	\$85.00	25 lb	82624	\$3,600.00	\$130.00	\$85.00
20 lb	82579	\$2,975.00	\$130.00	\$85.00	20 lb	82623	\$2,900.00	\$130.00	\$85.00
10 lb	82578	\$1,750.00	\$130.00	\$85.00	10 lb	82622	\$1,710.00	\$130.00	\$85.00
5 lb	82589	\$1,260.00	\$130.00	\$85.00	5 lb	82631	\$1,210.00	\$130.00	\$85.00
4 lb	82588	\$1,070.00	\$130.00	\$85.00	4 lb	82630	\$1,020.00	\$130.00	\$85.00
3 lb	82587	\$805.00	\$130.00	\$85.00	3 lb	82629	\$735.00	\$130.00	\$85.00
2 lb	82586	\$705.00	\$105.00	\$70.00	2 lb	82628	\$665.00	\$105.00	\$70.00
1 lb	82585	\$360.00	\$105.00	\$70.00	1 lb	82627	\$340.00	\$105.00	\$70.00
8 oz	82584	\$295.00	\$55.00	\$45.00	8 oz	82626	\$280.00	\$55.00	\$45.00
0.5 lb	82570	\$300.00	\$55.00	\$45.00	0.5 lb	82614	\$280.00	\$55.00	\$45.00
0.3 lb	118809	\$230.00	\$55.00	\$45.00	0.3 lb	118810	\$220.00	\$55.00	\$45.00
0.2 lb	82569	\$195.00	\$55.00	\$45.00	0.2 lb	82613	\$195.00	\$55.00	\$45.00
0.1 lb	82568	\$145.00	\$55.00	\$45.00	0.1 lb	82612	\$135.00	\$55.00	\$45.00
0.05 lb	82567	\$135.00	\$55.00	\$45.00	0.05 lb	82611	\$130.00	\$55.00	\$45.00
0.03 lb	118805	\$130.00	\$55.00	\$45.00	0.03 lb	118806	\$120.00	\$55.00	\$45.00
0.02 lb	82566	\$130.00	\$55.00	\$45.00	0.02 lb	82610	\$125.00	\$55.00	\$45.00
0.01 lb	82565	\$130.00	\$55.00	\$45.00	0.01 lb	82609	\$120.00	\$55.00	\$45.00
0.005 lb	82564	\$130.00	\$55.00	\$45.00	0.005 lb	82608	\$120.00	\$55.00	\$45.00
0.003 lb	118801	\$130.00	\$55.00	\$45.00	0.003 lb	118802	\$120.00	\$55.00	\$45.00
4 oz	82577	\$165.00	\$55.00	\$45.00	4 oz	82621	\$165.00	\$55.00	\$45.00
2 oz	82576	\$145.00	\$55.00	\$45.00	2 oz	82620	\$135.00	\$55.00	\$45.00
1 oz	82575	\$125.00	\$55.00	\$45.00	1 oz	82619	\$125.00	\$55.00	\$45.00
1/2 oz	82574	\$120.00	\$55.00	\$45.00	1/2 oz	82618	\$115.00	\$55.00	\$45.00
1/4 oz	82573	\$120.00	\$55.00	\$45.00	1/4 oz	82617	\$115.00	\$55.00	\$45.00
1/8 oz	82572	\$120.00	\$55.00	\$45.00	1/8 oz	82616	\$115.00	\$55.00	\$45.00
1/16 oz	82571	\$120.00	\$55.00	\$45.00	1/16 oz	82615	\$115.00	\$55.00	\$45.00

Replacement Cases

Main Cases		
Class 1, 2 and 3 Screw Knob		
Nominal Value	Part #	Price
30 lb	80743	\$265.00
25 lb	80742	\$265.00
20 lb	80741	\$265.00
10 lb	80740	\$265.00
5 lb	190272	\$40.50
4 lb	190268	\$40.50
3 lb	190265	\$40.50
2 lb	190261	\$40.50
1 lb	189713	\$40.50
8 oz	189638	\$40.50
0.5 lb	189638	\$40.50
0.3 lb	189633	\$40.50
0.2 lb	189569	\$44.50
0.1 lb	189508	\$44.50

Main Cases		
Class 1, 2 and 3 Screw Knob		
Nominal Value	Part #	Price
0.05 lb	189485	\$44.50
0.03 lb	189478	\$44.50
0.02 lb	189460	\$44.50
0.01 lb	189349	\$44.50
0.005 lb	189239	\$44.50
0.003 lb	189234	\$44.50
4 oz	189571	\$44.50
2 oz	190126	\$40.50
1 oz	189486	\$44.50
1/2 oz	189478	\$44.50
1/4 oz	189350	\$44.50
1/8 oz	194034	\$42.00
1/16 oz	189237	\$44.50

Main Cases		
Class 4 Screw Knob		
Nominal Value	Part #	Price
30 lb	80743	\$265.00
25 lb	80742	\$265.00
20 lb	80741	\$265.00
10 lb	80740	\$265.00
5 lb	190272	\$40.50
4 lb	190268	\$40.50
3 lb	190265	\$40.50
2 lb	190261	\$40.50
1 lb	189713	\$40.50
8 oz	189638	\$40.50
0.5 lb	189638	\$40.50
0.3 lb	189633	\$40.50
0.2 lb	189569	\$44.50
0.1 lb	189508	\$44.50

# Range: 30 lb – 1/16 oz

Class 3			Optional Certificate		Class 4			Optional Certificate	
Nominal Value	Kit Part #	Price	Accredited	Non-Accredited	Nominal Value	Kit Part #	Price	Accredited	
30 lb	82667	\$4,075.00	\$130.00	\$85.00	30 lb	82709	\$4,025.00	\$80.00	
25 lb	82666	\$3,450.00	\$130.00	\$85.00	25 lb	82708	\$3,425.00	\$80.00	
20 lb	82665	\$2,750.00	\$130.00	\$85.00	20 lb	82707	\$2,725.00	\$80.00	
10 lb	82664	\$1,590.00	\$130.00	\$85.00	10 lb	82706	\$1,580.00	\$80.00	
5 lb	82673	\$1,180.00	\$130.00	\$85.00	5 lb	82715	\$1,170.00	\$80.00	
4 lb	82672	\$980.00	\$130.00	\$85.00	4 lb	82714	\$890.00	\$80.00	
3 lb	82671	\$710.00	\$130.00	\$85.00	3 lb	82713	\$685.00	\$80.00	
2 lb	82670	\$645.00	\$105.00	\$70.00	2 lb	82712	\$620.00	\$65.00	
1 lb	82669	\$325.00	\$105.00	\$70.00	1 lb	82711	\$295.00	\$65.00	
8 oz	82668	\$280.00	\$55.00	\$45.00	8 oz	82710	\$270.00	\$40.00	
0.5 lb	82656	\$280.00	\$55.00	\$45.00	0.5 lb	82698	\$280.00	\$40.00	
0.3 lb	118811	\$180.00	\$55.00	\$45.00	0.3 lb	118812	\$195.00	\$40.00	
0.2 lb	82655	\$150.00	\$55.00	\$45.00	0.2 lb	82697	\$145.00	\$40.00	
0.1 lb	82654	\$135.00	\$55.00	\$45.00	0.1 lb	82696	\$125.00	\$40.00	
0.05 lb	82653	\$125.00	\$55.00	\$45.00	0.05 lb	82695	\$120.00	\$40.00	
0.03 lb	118807	\$120.00	\$55.00	\$45.00	0.03 lb	118808	\$98.00	\$40.00	
0.02 lb	82652	\$120.00	\$55.00	\$45.00	0.02 lb	82694	\$120.00	\$40.00	
0.01 lb	82651	\$120.00	\$55.00	\$45.00	0.01 lb	82693	\$120.00	\$40.00	
0.005 lb	82650	\$115.00	\$55.00	\$45.00	0.005 lb	82692	\$120.00	\$40.00	
0.003 lb	118803	\$115.00	\$55.00	\$45.00	0.003 lb	118804	\$120.00	\$40.00	
4 oz	82663	\$160.00	\$55.00	\$45.00	4 oz	82705	\$145.00	\$40.00	
2 oz	82662	\$135.00	\$55.00	\$45.00	2 oz	82704	\$135.00	\$40.00	
1 oz	82661	\$115.00	\$55.00	\$45.00	1 oz	82703	\$125.00	\$40.00	
1/2 oz	82660	\$115.00	\$55.00	\$45.00	1/2 oz	82702	\$120.00	\$40.00	
1/4 oz	82659	\$115.00	\$55.00	\$45.00	1/4 oz	82701	\$120.00	\$40.00	
1/8 oz	82658	\$115.00	\$55.00	\$45.00	1/8 oz	82700	\$120.00	\$40.00	
1/16 oz	82657	\$115.00	\$55.00	\$45.00	1/16 oz	82699	\$120.00	\$40.00	

CALIBRATION WEIGHTS  
ASTM PRECISION



*Kits include a single weight with case and glove*

### Accessories

Main Cases		
Class 4 Screw Knob		
Nominal Value	Part #	Price
0.05 lb	189485	\$44.50
0.03 lb	189478	\$44.50
0.02 lb	189460	\$44.50
0.01 lb	189349	\$44.50
0.005 lb	189239	\$44.50
0.003 lb	189234	\$44.50
4 oz	189571	\$44.50
2 oz	190126	\$40.50
1 oz	189486	\$44.50
1/2 oz	189478	\$44.50
1/4 oz	189350	\$44.50
1/8 oz	194034	\$42.00
1/16 oz	189237	\$44.50

Description	Part #	Price
Statement of Accuracy	36092	\$47.50
Weight glove, white cotton	11714	\$7.25
Tweezer	11711	\$5.25
Premium tweezer	152414	\$45.50
Serial number	25836	\$17.00
Lifter bar	11747	\$22.25
Capsule	80420	\$5.25

**MASS REFERENCE STANDARDS / AVOIRDUPOIS SINGLE WEIGHT WITH CASE (KITS)**

**Range: 0.001lb – 1/32 oz**

**Class 1**

*Enclosed in vial/case per requirements.*

**Optional Certificate**

Nominal Value	Part #	Price	Optional Certificate	
			Accredited	Non-Accredited
0.001lb	<b>80428</b>	\$120.00	\$55.00	\$45.00
0.002lb	<b>80439</b>	\$120.00	\$55.00	\$45.00
1/32 oz	<b>80442</b>	\$120.00	\$55.00	\$45.00

**Class 2**

*Enclosed in vial/case per requirements.*

**Optional Certificate**

Nominal Value	Part #	Price	Optional Certificate	
			Accredited	Non-Accredited
0.001lb	<b>80443</b>	\$120.00	\$55.00	\$45.00
0.002lb	<b>80445</b>	\$115.00	\$55.00	\$45.00
1/32 oz	<b>80446</b>	\$115.00	\$55.00	\$45.00

**Class 3**

*Enclosed in vial/case per requirements.*

**Optional Certificate**

Nominal Value	Part #	Price	Optional Certificate	
			Accredited	Non-Accredited
0.001lb	<b>80448</b>	\$115.00	\$55.00	\$45.00
0.002lb	<b>80449</b>	\$115.00	\$55.00	\$45.00
1/32 oz	<b>80451</b>	\$115.00	\$55.00	\$45.00

**CALIBRATION WEIGHTS  
ASTM PRECISION**



*Kits Include a  
Single Weight with Vial*

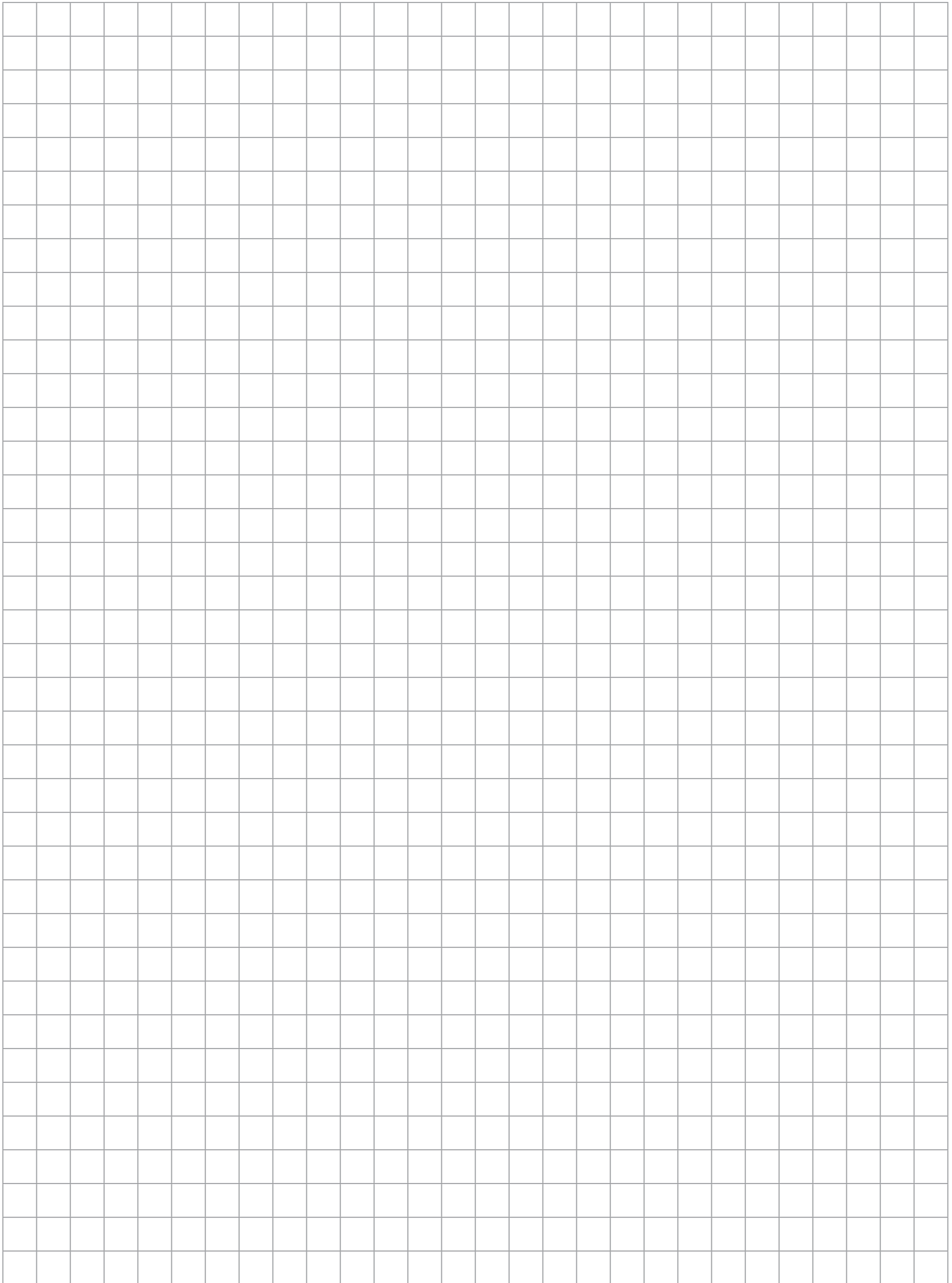
**Replacement Cases**

Main Case		
Class 1, 2 and 3 Leaf		
Nominal Value	Part #	Price
0.001lb	<b>Consult</b>	Consult
0.002lb	<b>Consult</b>	Consult
1/32 oz	<b>Consult</b>	Consult

**Accessories**

Description	Part #	Price
Statement of Accuracy	<b>36092</b>	\$47.50
Weight glove, white cotton	<b>11714</b>	\$7.25
Tweezer	<b>11711</b>	\$5.25
Premium tweezer	<b>152414</b>	\$45.50
Serial number	<b>25836</b>	\$17.00
Vial	<b>50038</b>	\$5.25
Lifter bar	<b>11747</b>	\$22.25





**CALIBRATION WEIGHTS  
ASTM PRECISION**

# Range: 50 lb – 1/16 oz

CALIBRATION WEIGHTS  
ASTM PRECISION

Class 1			Optional Certificate		Class 2			Optional Certificate	
Nominal Value	Part #	Price	Accredited	Non-Accredited	Weight	Part #	Price	Accredited	Non-Accredited
50 lb	12056	\$5,675.00	\$285.00	\$85.00	50 lb	12202	\$5,600.00	\$285.00	\$85.00
30 lb	12055	\$4,175.00	\$130.00	\$85.00	30 lb	12201	\$4,075.00	\$130.00	\$85.00
25 lb	12054	\$3,525.00	\$130.00	\$85.00	25 lb	12200	\$3,450.00	\$130.00	\$85.00
20 lb	12053	\$2,850.00	\$130.00	\$85.00	20 lb	12199	\$2,775.00	\$130.00	\$85.00
10 lb	12052	\$1,610.00	\$130.00	\$85.00	10 lb	12198	\$1,560.00	\$130.00	\$85.00
5 lb	12050	\$1,200.00	\$130.00	\$85.00	5 lb	12196	\$1,160.00	\$130.00	\$85.00
4 lb	12049	\$1,010.00	\$130.00	\$85.00	4 lb	12195	\$935.00	\$130.00	\$85.00
3 lb	12048	\$775.00	\$130.00	\$85.00	3 lb	12194	\$695.00	\$130.00	\$85.00
2 lb	12047	\$670.00	\$105.00	\$70.00	2 lb	12193	\$640.00	\$105.00	\$70.00
1 lb	12046	\$325.00	\$105.00	\$70.00	1 lb	12192	\$325.00	\$105.00	\$70.00
8 oz	12044	\$295.00	\$55.00	\$45.00	8 oz	12190	\$275.00	\$55.00	\$45.00
0.5 lb	12034	\$290.00	\$55.00	\$45.00	0.5 lb	12180	\$275.00	\$55.00	\$45.00
0.3 lb	118518	\$230.00	\$55.00	\$45.00	0.3 lb	118519	\$220.00	\$55.00	\$45.00
0.2 lb	12033	\$180.00	\$55.00	\$45.00	0.2 lb	12179	\$180.00	\$55.00	\$45.00
0.1 lb	12032	\$135.00	\$55.00	\$45.00	0.1 lb	12178	\$130.00	\$55.00	\$45.00
0.05 lb	12027	\$125.00	\$55.00	\$45.00	0.05 lb	12173	\$125.00	\$55.00	\$45.00
0.03 lb	118514	\$120.00	\$55.00	\$45.00	0.03 lb	118515	\$120.00	\$55.00	\$45.00
0.02 lb	12022	\$120.00	\$55.00	\$45.00	0.02 lb	12168	\$120.00	\$55.00	\$45.00
0.01 lb	12020	\$120.00	\$55.00	\$45.00	0.01 lb	12166	\$120.00	\$55.00	\$45.00
0.005 lb	12013	\$120.00	\$55.00	\$45.00	0.005 lb	12159	\$120.00	\$55.00	\$45.00
0.003 lb	118510	\$120.00	\$55.00	\$45.00	0.003 lb	118511	\$120.00	\$55.00	\$45.00
4 oz	12043	\$150.00	\$55.00	\$45.00	4 oz	12189	\$150.00	\$55.00	\$45.00
2 oz	12042	\$135.00	\$55.00	\$45.00	2 oz	12188	\$130.00	\$55.00	\$45.00
1 oz	12041	\$105.00	\$55.00	\$45.00	1 oz	12187	\$105.00	\$55.00	\$45.00
1/2 oz	12040	\$120.00	\$55.00	\$45.00	1/2 oz	12186	\$120.00	\$55.00	\$45.00
1/4 oz	12039	\$120.00	\$55.00	\$45.00	1/4 oz	12185	\$120.00	\$55.00	\$45.00
1/8 oz	12038	\$120.00	\$55.00	\$45.00	1/8 oz	12184	\$120.00	\$55.00	\$45.00
1/16 oz	12037	\$120.00	\$55.00	\$45.00	1/16 oz	12183	\$120.00	\$55.00	\$45.00

## Replacement Cases

Main Cases		
Class 1 and 2 Screw Knob		
Nominal Value	Part #	Price
50 lb	Consult	Consult
30 lb	80743	\$265.00
25 lb	80742	\$265.00
20 lb	80741	\$265.00
10 lb	80740	\$265.00
5 lb	190272	\$40.50
4 lb	190268	\$40.50
3 lb	190265	\$40.50
2 lb	190261	\$40.50
1 lb	189713	\$40.50

Main Cases		
Class 1 and 2 Screw Knob		
Nominal Value	Part #	Price
8 oz	189638	\$40.50
0.5 lb	189638	\$40.50
0.3 lb	189633	\$40.50
0.2 lb	189569	\$44.50
0.1 lb	189508	\$44.50
0.05 lb	189485	\$44.50
0.03 lb	189478	\$44.50
0.02 lb	189460	\$44.50
0.01 lb	189349	\$44.50
0.005 lb	189239	\$44.50

Main Cases		
Class 1 and 2 Screw Knob		
Nominal Value	Part #	Price
0.003 lb	189234	\$44.50
4 oz	189571	\$44.50
2 oz	190126	\$40.50
1 oz	189486	\$44.50
1/2 oz	189478	\$44.50
1/4 oz	189350	\$44.50
1/8 oz	194034	\$42.00
1/16 oz	189237	\$44.50

# Range: 50 lb – 1/16 oz

Class 3			Optional Certificate		Class 4			Optional Certificate
Nominal Value	Part #	Price	Accredited	Non-Accredited	Nominal Value	Part #	Price	Accredited
50 lb	12335	\$5,525.00	\$285.00	\$85.00	50 lb	12438	\$5,450.00	\$80.00
30 lb	12334	\$3,925.00	\$130.00	\$85.00	30 lb	12437	\$3,900.00	\$80.00
25 lb	12333	\$3,325.00	\$130.00	\$85.00	25 lb	12436	\$3,275.00	\$80.00
20 lb	12332	\$2,575.00	\$130.00	\$85.00	20 lb	12435	\$2,550.00	\$80.00
10 lb	12331	\$1,490.00	\$130.00	\$85.00	10 lb	12434	\$1,430.00	\$80.00
5 lb	12330	\$1,130.00	\$130.00	\$85.00	5 lb	12433	\$1,100.00	\$80.00
4 lb	12329	\$925.00	\$130.00	\$85.00	4 lb	12432	\$855.00	\$80.00
3 lb	12328	\$670.00	\$130.00	\$85.00	3 lb	12431	\$650.00	\$80.00
2 lb	12327	\$610.00	\$105.00	\$70.00	2 lb	12430	\$600.00	\$65.00
1 lb	12326	\$305.00	\$105.00	\$70.00	1 lb	12429	\$280.00	\$65.00
8 oz	12325	\$265.00	\$55.00	\$45.00	8 oz	12428	\$260.00	\$40.00
0.5 lb	12316	\$270.00	\$55.00	\$45.00	0.5 lb	12419	\$270.00	\$40.00
0.3 lb	118520	\$180.00	\$55.00	\$45.00	0.3 lb	118521	\$170.00	\$40.00
0.2 lb	12315	\$140.00	\$55.00	\$45.00	0.2 lb	12418	\$135.00	\$40.00
0.1 lb	12314	\$125.00	\$55.00	\$45.00	0.1 lb	12417	\$105.00	\$40.00
0.05 lb	12310	\$120.00	\$55.00	\$45.00	0.05 lb	12413	\$120.00	\$40.00
0.03 lb	118516	\$120.00	\$55.00	\$45.00	0.03 lb	118517	\$120.00	\$40.00
0.02 lb	22185	\$120.00	\$55.00	\$45.00	0.02 lb	12408	\$120.00	\$40.00
0.01 lb	22183	\$120.00	\$55.00	\$45.00	0.01 lb	12406	\$105.00	\$40.00
0.005 lb	12297	\$120.00	\$55.00	\$45.00	0.005 lb	12400	\$105.00	\$40.00
0.003 lb	118512	\$120.00	\$55.00	\$45.00	0.003 lb	118513	\$105.00	\$40.00
4 oz	12324	\$150.00	\$55.00	\$45.00	4 oz	12427	\$130.00	\$40.00
2 oz	12323	\$130.00	\$55.00	\$45.00	2 oz	12426	\$125.00	\$40.00
1 oz	12322	\$98.00	\$55.00	\$45.00	1 oz	12425	\$105.00	\$40.00
1/2 oz	12321	\$120.00	\$55.00	\$45.00	1/2 oz	12424	\$120.00	\$40.00
1/4 oz	12320	\$120.00	\$55.00	\$45.00	1/4 oz	12423	\$120.00	\$40.00
1/8 oz	12319	\$120.00	\$55.00	\$45.00	1/8 oz	12422	\$120.00	\$40.00
1/16 oz	12318	\$120.00	\$55.00	\$45.00	1/16 oz	12421	\$120.00	\$40.00

CALIBRATION WEIGHTS  
ASTM PRECISION



## Replacement Cases

Main Cases		
Class 3 and 4 Screw Knob		
Nominal Value	Part #	Price
50 lb	Consult	Consult
30 lb	80743	\$265.00
25 lb	80742	\$265.00
20 lb	80741	\$265.00
10 lb	80740	\$265.00
5 lb	190272	\$40.50
4 lb	190268	\$40.50
3 lb	190265	\$40.50
2 lb	190261	\$40.50
1 lb	189713	\$40.50

Main Cases		
Class 3 and 4 Screw Knob		
Nominal Value	Part #	Price
8 oz	189638	\$40.50
0.5 lb	189638	\$40.50
0.3 lb	189633	\$40.50
0.2 lb	189569	\$44.50
0.1 lb	189508	\$44.50
0.05 lb	189485	\$44.50
0.03 lb	189478	\$44.50
0.02 lb	189460	\$44.50
0.01 lb	189349	\$44.50
0.005 lb	189239	\$44.50

Main Cases		
Class 3 and 4 Screw Knob		
Nominal Value	Part #	Price
0.003 lb	189234	\$44.50
4 oz	189571	\$44.50
2 oz	190126	\$40.50
1 oz	189486	\$44.50
1/2 oz	189478	\$44.50
1/4 oz	189350	\$44.50
1/8 oz	194034	\$42.00
1/16 oz	189237	\$44.50

MASS REFERENCE STANDARDS / AVOIRDUPOIS SINGLE WEIGHTS

Range: 0.001lb – 1/32 oz

**Class 1**

Single leaf weights must ship in a vial.

**Optional Certificate**

Nominal Value	Part #	Price	Accredited	Non-Accredited
0.001lb	12007	\$120.00	\$55.00	\$45.00
0.002lb	12009	\$120.00	\$55.00	\$45.00
1/32 oz	12036	\$120.00	\$55.00	\$45.00

**Class 2**

Single leaf weights must ship in a vial.

**Optional Certificate**

Nominal Value	Part #	Price	Accredited	Non-Accredited
0.001lb	12153	\$120.00	\$55.00	\$45.00
0.002lb	12155	\$120.00	\$55.00	\$45.00
1/32 oz	12182	\$120.00	\$55.00	\$45.00

**Class 3**

Single leaf weights must ship in a vial.

**Optional Certificate**

Nominal Value	Part #	Price	Accredited	Non-Accredited
0.001lb	12291	\$120.00	\$55.00	\$45.00
0.002lb	12293	\$120.00	\$55.00	\$45.00
1/32 oz	12317	\$120.00	\$55.00	\$45.00

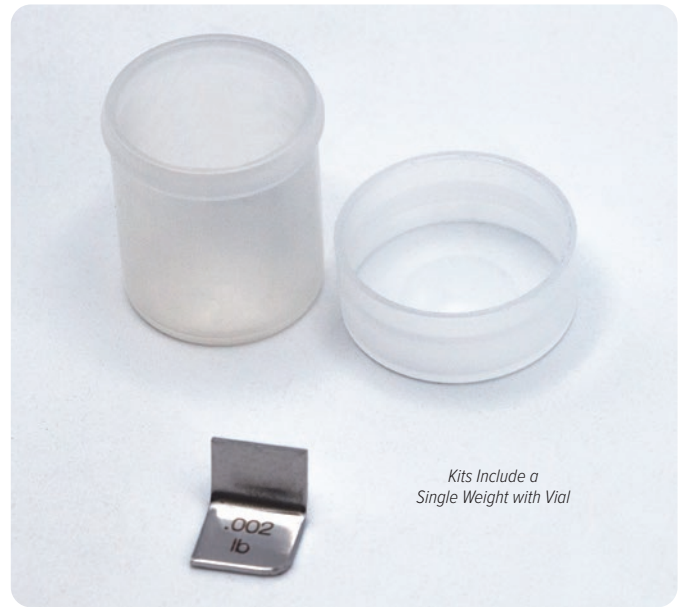
**Class 4**

Single leaf weights must ship in a vial.

**Optional Certificate**

Nominal Value	Part #	Price	Accredited
0.001lb	12394	\$98.00	\$40.00
0.002lb	12396	\$98.00	\$40.00
1/32 oz	12420	\$98.00	\$40.00

CALIBRATION WEIGHTS  
ASTM PRECISION



Kits Include a  
Single Weight with Vial

**Accessories**

Description	Part #	Price
Statement of Accuracy	36092	\$47.50
Weight glove, white cotton	11714	\$7.25
Tweezer	11711	\$5.25
Premium tweezer	152414	\$45.50
Serial number	25836	\$17.00
Replacement vial 0.001lb to 1/32 oz	50038	\$5.25
Lifter bar	11747	\$22.25

# Essential Weight Sets

## Class 0

Set Range	Part #	Price
2 g, 200 mg, 1 mg	<b>186177</b>	\$390.00
5 g, 500 mg, 1 mg	<b>186178</b>	\$420.00

## Class 1

Set Range	Part #	Price
20 g, 2 g, 20 mg	<b>186179</b>	\$360.00
100 g, 10 g, 20 mg	<b>186180</b>	\$440.00
100 g, 10 g, 200 mg	<b>186181</b>	\$440.00
200 g, 20 g, 20 mg	<b>186182</b>	\$460.00
200 g, 20 g, 200 mg	<b>186183</b>	\$460.00
200 g, 20 g, 2 g	<b>186184</b>	\$480.00
500 g, 50 g, 200 mg	<b>186185</b>	\$610.00
500 g, 50 g, 2 g	<b>186186</b>	\$630.00
1 kg, 100 g, 2 g	<b>186187</b>	\$810.00
1 kg, 100 g, 20 g	<b>186188</b>	\$830.00
2 kg, 200 g, 2 g	<b>186189</b>	\$1,180.00
2 kg, 200 g, 20 g	<b>186190</b>	\$1,200.00
5 kg, 500 g, 2 g	<b>186191</b>	\$1,490.00
5 kg, 500 g, 20 g	<b>186192</b>	\$1,520.00
100 g, 10 g, 2 g	<b>191089</b>	\$480.00
500 g, 50 g, 20 mg	<b>191091</b>	\$690.00
50 g, 5 g, 200 mg	<b>191092</b>	\$470.00
50 g, 5 g, 2 g	<b>191093</b>	\$470.00

## Standard Features

- Polished stainless steel Type II design
- Sealing cavity
- Density is approximately 7.95 g/cm<sup>3</sup>
- Special PVC weight case
- Precision tweezers included
- Configurations are ideal for calibration, shift tests and sensitivity tests
- Other configurations available by special order
- Meets USP-41 requirements for intermediate checks
- Includes ISO 17025 Accredited Certificate of Calibration



200g PVC Set Shown, Other Sets Will Vary

CALIBRATION WEIGHTS  
ASTM PRECISION

## Accessories

Description	Part #	Price
Weight glove, white cotton	<b>11714</b>	\$7.25
Tweezer	<b>11711</b>	\$5.25
Premium tweezer	<b>152414</b>	\$45.50
Lifter bar	<b>11747</b>	\$22.25

# Range: 500 mg

### Class 0

Statement of Accuracy not available.

### Certificate

Set Range	Part #	Price	Accredited
500 mg - 1 mg	<b>45933</b>	\$2,250.00	Included
500 mg - 1 mg*	<b>96359</b>	\$2,250.00	Included
500 mg - 10 mg	<b>84141</b>	\$1,660.00	Included
500 mg - 10 mg*	<b>98191</b>	\$1,660.00	Included
500 mg - 100 mg	<b>45934</b>	\$1,160.00	Included
500 mg - 100 mg*	<b>96360</b>	\$1,160.00	Included

### Class 1

### Optional Certificate

Set Range	Part #	Price	Accredited	Non-accredited
500 mg - 1 mg	<b>12445</b>	\$695.00	\$470.00	\$375.00
500 mg - 1 mg*	<b>11910</b>	\$695.00	\$470.00	\$375.00
500 mg - 10 mg	<b>12447</b>	\$515.00	\$310.00	\$250.00
500 mg - 10 mg*	<b>11909</b>	\$515.00	\$310.00	\$250.00
500 mg - 100 mg	<b>45952</b>	\$480.00	\$155.00	\$125.00
500 mg - 100 mg*	<b>45944</b>	\$495.00	\$155.00	\$125.00

### Class 2

### Optional Certificate

Set Range	Part #	Price	Accredited	Non-accredited
500 mg - 1 mg	<b>11838</b>	\$600.00	\$470.00	\$375.00
500 mg - 1 mg*	<b>12176</b>	\$600.00	\$470.00	\$375.00
500 mg - 10 mg	<b>11848</b>	\$480.00	\$310.00	\$250.00
500 mg - 10 mg*	<b>12175</b>	\$480.00	\$310.00	\$250.00
500 mg - 100 mg	<b>45953</b>	\$420.00	\$155.00	\$125.00
500 mg - 100 mg*	<b>45945</b>	\$420.00	\$155.00	\$125.00

### Class 3

### Optional Certificate

Set Range	Part #	Price	Accredited	Non-accredited
500 mg - 1 mg	<b>11946</b>	\$580.00	\$470.00	\$375.00
500 mg - 1 mg*	<b>12313</b>	\$580.00	\$470.00	\$375.00
500 mg - 10 mg	<b>11956</b>	\$420.00	\$310.00	\$250.00
500 mg - 10 mg*	<b>12312</b>	\$420.00	\$310.00	\$250.00
500 mg - 100 mg	<b>45954</b>	\$340.00	\$155.00	\$125.00
500 mg - 100 mg*	<b>45946</b>	\$340.00	\$155.00	\$125.00

### Class 4

### Optional Certificate

Set Range	Part #	Price	Accredited
500 mg - 1 mg	<b>12093</b>	\$365.00	\$280.00
500 mg - 1 mg*	<b>12416</b>	\$365.00	\$280.00
500 mg - 10 mg	<b>12103</b>	\$275.00	\$190.00
500 mg - 10 mg*	<b>12415</b>	\$275.00	\$190.00
500 mg - 100 mg	<b>45955</b>	\$220.00	\$95.00
500 mg - 100 mg*	<b>45947</b>	\$220.00	\$95.00

\* 5-2-2-1 configuration

CALIBRATION WEIGHTS  
ASTM PRECISION

## Replacement Cases

Main Cases		
<b>Class 0</b> (Includes leaf weight lid and slot for tweezer)		
Set Range	Part #	Price
500 mg - 1 mg	<b>34699</b>	\$135.00
500 mg - 1 mg	<b>34699</b>	\$135.00
500 mg - 10 mg	<b>34699</b>	\$135.00
500 mg - 10 mg	<b>34699</b>	\$135.00
500 mg - 100 mg	<b>34699</b>	\$135.00
500 mg - 100 mg	<b>34699</b>	\$135.00

Main Case		
<b>Class 1, 2, 3 and 4</b> (Includes leaf weight lid and slot for tweezer)		
Set Range	Part #	Price
500 mg - 1 mg	<b>11763</b>	\$90.00
500 mg - 1 mg	<b>11763</b>	\$90.00
500 mg - 10 mg	<b>11763</b>	\$90.00
500 mg - 10 mg	<b>11763</b>	\$90.00
500 mg - 100 mg	<b>11763</b>	\$90.00
500 mg - 100 mg	<b>11763</b>	\$90.00



# Range: 500 mg

## Weight Set Contents

5-2-2-1		5-2-2-1		5-2-2-1	
500 mg - 1 mg	500 mg - 1 mg	500 mg - 10 mg	500 mg - 10 mg	500 mg - 100 mg	500 mg - 100 mg
<b>45933</b> Class 0	<b>96359</b> Class 0	<b>84141</b> Class 0	<b>98191</b> Class 0	<b>45934</b> Class 0	<b>96360</b> Class 0
<b>12445</b> Class 1	<b>11910</b> Class 1	<b>12447</b> Class 1	<b>11909</b> Class 1	<b>45952</b> Class 1	<b>45944</b> Class 1
<b>11838</b> Class 2	<b>12176</b> Class 2	<b>11848</b> Class 2	<b>12175</b> Class 2	<b>45953</b> Class 2	<b>45945</b> Class 2
<b>11946</b> Class 3	<b>12313</b> Class 3	<b>11956</b> Class 3	<b>12312</b> Class 3	<b>45954</b> Class 3	<b>45946</b> Class 3
<b>12093</b> Class 4	<b>12416</b> Class 4	<b>12103</b> Class 4	<b>12415</b> Class 4	<b>45955</b> Class 4	<b>45947</b> Class 4
(1) 500 mg	(1) 500 mg	(1) 500 mg	(1) 500 mg	(1) 500 mg	(1) 500 mg
(1) 300 mg	–	(1) 300 mg	–	(1) 300 mg	–
(1) 200 mg	(2) 200 mg	(1) 200 mg	(2) 200 mg	(1) 200 mg	(2) 200 mg
(1) 100 mg	(1) 100 mg	(1) 100 mg	(1) 100 mg	(1) 100 mg	(1) 100 mg
(1) 50 mg	(1) 50 mg	(1) 50 mg	(1) 50 mg		
(1) 30 mg	–	(1) 30 mg	–		
(1) 20 mg	(2) 20 mg	(1) 20 mg	(2) 20 mg		
(1) 10 mg	(1) 10 mg	(1) 10 mg	(1) 10 mg		
(1) 5 mg	(1) 5 mg				
(1) 3 mg	–				
(1) 2 mg	(2) 2 mg				
(1) 1 mg	(1) 1 mg				
<b>12 pcs.</b> 1.221g set wt.	<b>12 pcs.</b> 1.11g set wt.	<b>8 pcs.</b> 1.21g set wt.	<b>8 pcs.</b> 1.11g set wt.	<b>4 pcs.</b> 1.1g set wt.	<b>4 pcs.</b> 0.8g set wt.

CALIBRATION WEIGHTS  
ASTM PRECISION



PN 12093 Set Includes Tweezer and Glove

## Accessories

Description	Part #	Price
Statement of Accuracy	<b>36092</b>	\$47.50
Weight glove, white cotton	<b>11714</b>	\$7.25
Tweezer	<b>11711</b>	\$5.25
Premium tweezer	<b>152414</b>	\$45.50
Serial number	<b>25836</b>	\$17.00

MASS REFERENCE STANDARDS / METRIC SETS

Range: 20 g

**Class 0**

(Statement of Accuracy not available)

Set Range	Part #	Price
20 g - 1 mg	<b>84154</b>	\$3,075.00
20 g - 5 mg	<b>84149</b>	\$3,300.00
20 g - 10 mg	<b>84148</b>	\$3,050.00
20 g - 100 mg	<b>84146</b>	\$2,290.00
20 g - 1 g	<b>84155</b>	\$1,660.00

**Certificate**

Accredited
Included
Included
Included
Included
Included

**Class 1**

Set Range	Part #	Price
20 g - 1 mg	<b>12448</b>	\$1,200.00
20 g - 1 mg*	<b>11908</b>	\$1,200.00
20 g - 5 mg	<b>12450</b>	\$1,030.00
20 g - 5 mg*	<b>11907</b>	\$1,030.00
20 g - 10 mg	<b>12451</b>	\$990.00
20 g - 10 mg*	<b>11906</b>	\$990.00
20 g - 100 mg	<b>84145</b>	\$835.00
20 g - 100 mg*	<b>11905</b>	\$835.00
20 g - 1 g	<b>12452</b>	\$695.00
20 g - 1 g*	<b>11904</b>	\$695.00

**Optional Certificate**

Accredited	Non-accredited
\$705.00	\$560.00
\$705.00	\$560.00
\$595.00	\$470.00
\$595.00	\$470.00
\$545.00	\$440.00
\$545.00	\$440.00
\$390.00	\$310.00
\$390.00	\$310.00
\$235.00	\$190.00
\$235.00	\$190.00

**Class 2**

Set Range	Part #	Price
20 g - 1 mg	<b>11853</b>	\$1,000.00
20 g - 1 mg*	<b>12174</b>	\$1,000.00
20 g - 5 mg	<b>11858</b>	\$885.00
20 g - 5 mg*	<b>12172</b>	\$885.00
20 g - 10 mg	<b>11863</b>	\$810.00
20 g - 10 mg*	<b>12171</b>	\$810.00
20 g - 100 mg	<b>84144</b>	\$705.00
20 g - 100 mg*	<b>12170</b>	\$705.00
20 g - 1 g	<b>11868</b>	\$600.00
20 g - 1 g*	<b>12169</b>	\$600.00

**Optional Certificate**

Accredited	Non-accredited
\$705.00	\$560.00
\$705.00	\$560.00
\$595.00	\$470.00
\$595.00	\$470.00
\$545.00	\$440.00
\$545.00	\$440.00
\$390.00	\$310.00
\$390.00	\$310.00
\$235.00	\$190.00
\$235.00	\$190.00

**Class 3**

Set Range	Part #	Price
20 g - 1 mg	<b>11961</b>	\$905.00
20 g - 1 mg*	<b>12311</b>	\$905.00
20 g - 5 mg	<b>11966</b>	\$815.00
20 g - 5 mg*	<b>12309</b>	\$815.00
20 g - 10 mg	<b>11971</b>	\$735.00
20 g - 10 mg*	<b>22188</b>	\$735.00
20 g - 100 mg	<b>84143</b>	\$660.00
20 g - 100 mg*	<b>22187</b>	\$660.00
20 g - 1 g	<b>11976</b>	\$520.00
20 g - 1 g*	<b>22186</b>	\$520.00

**Optional Certificate**

Accredited	Non-accredited
\$705.00	\$560.00
\$705.00	\$560.00
\$595.00	\$470.00
\$595.00	\$470.00
\$545.00	\$440.00
\$545.00	\$440.00
\$390.00	\$310.00
\$390.00	\$310.00
\$235.00	\$190.00
\$235.00	\$190.00

**Class 4**

Set Range	Part #	Price
20 g - 1 mg	<b>12108</b>	\$685.00
20 g - 1 mg*	<b>12414</b>	\$685.00
20 g - 5 mg	<b>12113</b>	\$640.00
20 g - 5 mg*	<b>12412</b>	\$640.00
20 g - 10 mg	<b>12118</b>	\$610.00
20 g - 10 mg*	<b>12411</b>	\$610.00
20 g - 100 mg	<b>84142</b>	\$510.00
20 g - 100 mg*	<b>12410</b>	\$510.00
20 g - 1 g	<b>12123</b>	\$415.00
20 g - 1 g*	<b>12409</b>	\$415.00

**Optional Certificate**

Accredited
\$430.00
\$430.00
\$355.00
\$355.00
\$325.00
\$325.00
\$235.00
\$235.00
\$140.00
\$140.00

\* 5-2-2-1 configuration



PN 12108 Set Includes Lifting Device, Glove and Case

CALIBRATION WEIGHTS  
ASTM PRECISION

# Range: 20 g

## Weight Set Contents

5-2-2-1		5-2-2-1		5-2-2-1		5-2-2-1		5-2-2-1	
20 g - 1mg	20 g - 1mg	20 g - 5mg	20 g - 5mg	20 g - 10mg	20 g - 10mg	20 g - 100mg	20 g - 100mg	20 g - 1g	20 g - 1g
<b>84154</b> Class 0	–	<b>84149</b> Class 0	–	<b>84148</b> Class 0	–	<b>84146</b> Class 0	–	<b>84155</b> Class 0	–
<b>12448</b> Class 1	<b>11908</b> Class 1	<b>12450</b> Class 1	<b>11907</b> Class 1	<b>12451</b> Class 1	<b>11906</b> Class 1	<b>84145</b> Class 1	<b>11905</b> Class 1	<b>12452</b> Class 1	<b>11904</b> Class 1
<b>11853</b> Class 2	<b>12174</b> Class 2	<b>11858</b> Class 2	<b>12172</b> Class 2	<b>11863</b> Class 2	<b>12171</b> Class 2	<b>84144</b> Class 2	<b>12170</b> Class 2	<b>11868</b> Class 2	<b>12169</b> Class 2
<b>11961</b> Class 3	<b>12311</b> Class 3	<b>11966</b> Class 3	<b>12309</b> Class 3	<b>11971</b> Class 3	<b>22188</b> Class 3	<b>84143</b> Class 3	<b>22187</b> Class 3	<b>11976</b> Class 3	<b>22186</b> Class 3
<b>12108</b> Class 4	<b>12414</b> Class 4	<b>12113</b> Class 4	<b>12412</b> Class 4	<b>12118</b> Class 4	<b>12411</b> Class 4	<b>84142</b> Class 4	<b>12410</b> Class 4	<b>12123</b> Class 4	<b>12409</b> Class 4
(1) 20 g	(1) 20 g	(1) 20 g	(1) 20 g	(1) 20 g	(1) 20 g	(1) 20 g	(1) 20 g	(1) 20 g	(1) 20 g
(1) 10 g	(1) 10 g	(1) 10 g	(1) 10 g	(1) 10 g	(1) 10 g	(1) 10 g	(1) 10 g	(1) 10 g	(1) 10 g
(1) 5 g	(1) 5 g	(1) 5 g	(1) 5 g	(1) 5 g	(1) 5 g	(1) 5 g	(1) 5 g	(1) 5 g	(1) 5 g
(1) 3 g	–	(1) 3 g	–	(1) 3 g	–	(1) 3 g	–	(1) 3 g	–
(1) 2 g	(2) 2 g	(1) 2 g	(2) 2 g	(1) 2 g	(2) 2 g	(1) 2 g	(2) 2 g	(1) 2 g	(2) 2 g
(1) 1 g	(1) 1 g	(1) 1 g	(1) 1 g	(1) 1 g	(1) 1 g	(1) 1 g	(1) 1 g	(1) 1 g	(1) 1 g
(1) 500 mg	(1) 500 mg	(1) 500 mg	(1) 500 mg	(1) 500 mg	(1) 500 mg	(1) 500 mg	(1) 500 mg	(1) 500 mg	
(1) 300 mg	–	(1) 300 mg	–	(1) 300 mg	–	(1) 300 mg	–		
(1) 200 mg	(2) 200 mg	(1) 200 mg	(2) 200 mg	(1) 200 mg	(2) 200 mg	(1) 200 mg	(2) 200 mg		
(1) 100 mg	(1) 100 mg	(1) 100 mg	(1) 100 mg	(1) 100 mg	(1) 100 mg	(1) 100 mg	(1) 100 mg		
(1) 50 mg	(1) 50 mg	(1) 50 mg	(1) 50 mg	(1) 50 mg	(1) 50 mg				
(1) 30 mg	–	(1) 30 mg	–	(1) 30 mg	–				
(1) 20 mg	(2) 20 mg	(1) 20 mg	(2) 20 mg	(1) 20 mg	(2) 20 mg				
(1) 10 mg	(1) 10 mg	(1) 10 mg	(1) 10 mg	(1) 10 mg	(1) 10 mg				
(1) 5 mg	(1) 5 mg	(1) 5 mg	(1) 5 mg						
(1) 3 mg	–								
(1) 2 mg	(2) 2 mg								
(1) 1 mg	(1) 1 mg								
18 pcs. 42.221g set wt.	18 pcs. 42.221g set wt.	15 pcs. 42.215g set wt.	15 pcs. 42.215g set wt.	14 pcs. 42.421g set wt.	14 pcs. 41.1g set wt.	10 pcs. 41g set wt.	10 pcs. 41g set wt.	6 pcs. 41g set wt.	6 pcs. 40g set wt.

CALIBRATION WEIGHTS  
ASTM PRECISION

## Replacement Cases

Main Cases		
Class 0		
Set Range	Part #	Price
20 g - 1mg	<b>49503</b>	\$265.00
20 g - 5 mg	<b>49503</b>	\$265.00
20 g - 10 mg	<b>49503</b>	\$265.00
20 g - 100 mg	<b>49503</b>	\$265.00
20 g - 1g	<b>49503</b>	\$265.00

Main Case		
Class 1, 2, 3 and 4		
Set Range	Part #	Price
20 g - 1mg	<b>11596</b>	\$190.00
20 g - 1mg	<b>11588</b>	\$190.00
20 g - 5 mg	<b>11596</b>	\$190.00
20 g - 5 mg	<b>11588</b>	\$190.00
20 g - 10 mg	<b>11596</b>	\$190.00
20 g - 10 mg	<b>11588</b>	\$190.00
20 g - 100 mg	<b>11596</b>	\$190.00
20 g - 100 mg	<b>11588</b>	\$190.00
20 g - 1g	<b>11596</b>	\$190.00
20 g - 1g	<b>11588</b>	\$190.00

## Accessories

Description	Part #	Price
Statement of Accuracy	<b>36092</b>	\$47.50
Weight glove, white cotton	<b>11714</b>	\$7.25
Tweezer	<b>11711</b>	\$5.25
Premium tweezer	<b>152414</b>	\$45.50
Serial number	<b>25836</b>	\$17.00
Leaf weight cover	<b>11755</b>	\$45.50

MASS REFERENCE STANDARDS / METRIC SETS

Range: 50 g

**Class 0**

Statement of Accuracy not available.

Set Range	Part #	Price
50 g - 1 mg	<b>84177</b>	\$3,975.00
50 g - 5 mg	<b>84176</b>	\$3,725.00
50 g - 10 mg	<b>84164</b>	\$3,375.00
50 g - 100 mg	<b>84163</b>	\$2,550.00
50 g - 1 g	<b>84178</b>	\$1,990.00

**Certificate**

Accredited
Included
Included
Included
Included
Included

**Class 1**

Set Range	Part #	Price
50 g - 1 mg	<b>12453</b>	\$1,180.00
50 g - 1 mg*	<b>11903</b>	\$1,180.00
50 g - 5 mg	<b>12454</b>	\$1,100.00
50 g - 5 mg*	<b>11902</b>	\$1,100.00
50 g - 10 mg	<b>12455</b>	\$1,040.00
50 g - 10 mg*	<b>11900</b>	\$1,040.00
50 g - 100 mg	<b>84159</b>	\$900.00
50 g - 100 mg*	<b>11899</b>	\$900.00
50 g - 1 g	<b>12456</b>	\$750.00
50 g - 1 g*	<b>11898</b>	\$765.00

**Optional Certificate**

Accredited	Non-accredited
\$790.00	\$630.00
\$790.00	\$630.00
\$670.00	\$530.00
\$670.00	\$530.00
\$630.00	\$500.00
\$630.00	\$500.00
\$470.00	\$375.00
\$470.00	\$375.00
\$310.00	\$250.00
\$310.00	\$250.00

**Class 2**

Set Range	Part #	Price
50 g - 1 mg	<b>11873</b>	\$1,040.00
50 g - 1 mg*	<b>12167</b>	\$1,040.00
50 g - 5 mg	<b>11879</b>	\$945.00
50 g - 5 mg*	<b>12165</b>	\$945.00
50 g - 10 mg	<b>11880</b>	\$900.00
50 g - 10 mg*	<b>12163</b>	\$900.00
50 g - 100 mg	<b>84160</b>	\$720.00
50 g - 100 mg*	<b>12162</b>	\$720.00
50 g - 1 g	<b>11890</b>	\$650.00
50 g - 1 g*	<b>12161</b>	\$650.00

**Optional Certificate**

Accredited	Non-accredited
\$790.00	\$630.00
\$790.00	\$630.00
\$670.00	\$530.00
\$670.00	\$530.00
\$630.00	\$500.00
\$630.00	\$500.00
\$470.00	\$375.00
\$470.00	\$375.00
\$310.00	\$250.00
\$310.00	\$250.00

**Class 3**

Set Range	Part #	Price
50 g - 1 mg	<b>11982</b>	\$975.00
50 g - 1 mg*	<b>22288</b>	\$975.00
50 g - 5 mg	<b>11988</b>	\$860.00
50 g - 5 mg*	<b>22182</b>	\$860.00
50 g - 10 mg	<b>11989</b>	\$825.00
50 g - 10 mg*	<b>22181</b>	\$825.00
50 g - 100 mg	<b>84161</b>	\$685.00
50 g - 100 mg*	<b>12300</b>	\$685.00
50 g - 1 g	<b>12004</b>	\$595.00
50 g - 1 g*	<b>12299</b>	\$595.00

**Optional Certificate**

Accredited	Non-accredited
\$790.00	\$630.00
\$790.00	\$630.00
\$670.00	\$530.00
\$670.00	\$530.00
\$630.00	\$500.00
\$630.00	\$500.00
\$470.00	\$375.00
\$470.00	\$375.00
\$310.00	\$250.00
\$310.00	\$250.00

**Class 4**

Set Range	Part #	Price
50 g - 1 mg	<b>12128</b>	\$825.00
50 g - 1 mg*	<b>12407</b>	\$825.00
50 g - 5 mg	<b>12134</b>	\$755.00
50 g - 5 mg*	<b>12405</b>	\$755.00
50 g - 10 mg	<b>12135</b>	\$725.00
50 g - 10 mg*	<b>12404</b>	\$725.00
50 g - 100 mg	<b>84162</b>	\$620.00
50 g - 100 mg*	<b>12403</b>	\$620.00
50 g - 1 g	<b>12150</b>	\$520.00
50 g - 1 g*	<b>12402</b>	\$520.00

**Optional Certificate**

Accredited
\$475.00
\$475.00
\$400.00
\$400.00
\$380.00
\$380.00
\$280.00
\$280.00
\$190.00
\$190.00

\* 5-2-2-1 configuration

CALIBRATION WEIGHTS  
ASTM PRECISION



PN 12453 Set Includes Lifting Device, Glove and Case

# Range: 50 g

## Weight Set Contents

5-2-2-1		5-2-2-1		5-2-2-1		5-2-2-1		5-2-2-1	
50 g - 1mg	50 g - 1mg	50 g - 5mg	50 g - 5mg	50 g - 10mg	50 g - 10mg	50 g - 100mg	50 g - 100mg	50 g - 1g	50 g - 1g
<b>84177</b> Class 0	–	<b>84176</b> Class 0	–	<b>84164</b> Class 0	–	<b>84163</b> Class 0	–	<b>84178</b> Class 0	–
<b>12453</b> Class 1	<b>11903</b> Class 1	<b>12454</b> Class 1	<b>11902</b> Class 1	<b>12455</b> Class 1	<b>11900</b> Class 1	<b>84159</b> Class 1	<b>11899</b> Class 1	<b>12456</b> Class 1	<b>11898</b> Class 1
<b>11873</b> Class 2	<b>12167</b> Class 2	<b>11879</b> Class 2	<b>12165</b> Class 2	<b>11880</b> Class 2	<b>12163</b> Class 2	<b>84160</b> Class 2	<b>12162</b> Class 2	<b>11890</b> Class 2	<b>12161</b> Class 2
<b>11982</b> Class 3	<b>22288</b> Class 3	<b>11988</b> Class 3	<b>22182</b> Class 3	<b>11989</b> Class 3	<b>22181</b> Class 3	<b>84161</b> Class 3	<b>12300</b> Class 3	<b>12004</b> Class 3	<b>12299</b> Class 3
<b>12128</b> Class 4	<b>12407</b> Class 4	<b>12134</b> Class 4	<b>12405</b> Class 4	<b>12135</b> Class 4	<b>12404</b> Class 4	<b>84162</b> Class 4	<b>12403</b> Class 4	<b>12150</b> Class 4	<b>12402</b> Class 4
(1) 50 g	(1) 50 g	(1) 50 g	(1) 50 g	(1) 50 g	(1) 50 g	(1) 50 g	(1) 50 g	(1) 50 g	(1) 50 g
(1) 30 g	–	(1) 30 g	–	(1) 30 g	–	(1) 30 g	–	(1) 30 g	–
(1) 20 g	(2) 20 g	(1) 20 g	(2) 20 g	(1) 20 g	(2) 20 g	(1) 20 g	(2) 20 g	(1) 20 g	(2) 20 g
(1) 10 g	(1) 10 g	(1) 10 g	(1) 10 g	(1) 10 g	(1) 10 g	(1) 10 g	(1) 10 g	(1) 10 g	(1) 10 g
(1) 5 g	(1) 5 g	(1) 5 g	(1) 5 g	(1) 5 g	(1) 5 g	(1) 5 g	(1) 5 g	(1) 5 g	(1) 5 g
(1) 3 g	–	(1) 3 g	–	(1) 3 g	–	(1) 3 g	–	(1) 3 g	–
(1) 2 g	(2) 2 g	(1) 2 g	(2) 2 g	(1) 2 g	(2) 2 g	(1) 2 g	(2) 2 g	(1) 2 g	(2) 2 g
(1) 1 g	(1) 1 g	(1) 1 g	(1) 1 g	(1) 1 g	(1) 1 g	(1) 1 g	(1) 1 g	(1) 1 g	(1) 1 g
(1) 500 mg	(1) 500 mg	(1) 500 mg	(1) 500 mg	(1) 500 mg	(1) 500 mg	(1) 500 mg	(1) 500 mg	(1) 500 mg	
(1) 300 mg	–	(1) 300 mg	–	(1) 300 mg	–	(1) 300 mg	–		
(1) 200 mg	(2) 200 mg	(1) 200 mg	(2) 200 mg	(1) 200 mg	(2) 200 mg	(1) 200 mg	(2) 200 mg		
(1) 100 mg	(1) 100 mg	(1) 100 mg	(1) 100 mg	(1) 100 mg	(1) 100 mg	(1) 100 mg	(1) 100 mg		
(1) 50 mg	(1) 50 mg	(1) 50 mg	(1) 50 mg	(1) 50 mg	(1) 50 mg				
(1) 30 mg	–	(1) 30 mg	–	(1) 30 mg	–				
(1) 20 mg	(2) 20 mg	(1) 20 mg	(2) 20 mg	(1) 20 mg	(2) 20 mg				
(1) 10 mg	(1) 10 mg	(1) 10 mg	(1) 10 mg	(1) 10 mg	(1) 10 mg				
(1) 5 mg	(1) 5 mg	(1) 5 mg	(1) 5 mg						
(1) 3 mg	–								
(1) 2 mg	(2) 2 mg								
(1) 1 mg	(1) 1 mg								
20 pcs. 122.21g set wt.	20 pcs. 111.1g set wt.	17 pcs. 122.215g set wt.	17 pcs. 111.105g set wt.	16 pcs. 122.21g set wt.	16 pcs. 111.1g set wt.	12 pcs. 122.1g set wt.	12 pcs. 111g set wt.	8 pcs. 121g set wt.	8 pcs. 110g set wt.

CALIBRATION WEIGHTS  
ASTM PRECISION

## Replacement Cases

Main Cases		
Class 0		
Set Range	Part #	Price
50 g - 1mg	<b>49503</b>	\$265.00
50 g - 5mg	<b>49503</b>	\$265.00
50 g - 10mg	<b>49503</b>	\$265.00
50 g - 100mg	<b>49503</b>	\$265.00
50 g - 1g	<b>49503</b>	\$265.00

Main Case		
Class 1, 2, 3 and 4		
Set Range	Part #	Price
50 g - 1mg	<b>11596</b>	\$190.00
50 g - 1mg	<b>11588</b>	\$190.00
50 g - 5mg	<b>11596</b>	\$190.00
50 g - 5mg	<b>11588</b>	\$190.00
50 g - 10mg	<b>11596</b>	\$190.00
50 g - 10mg	<b>11588</b>	\$190.00
50 g - 100mg	<b>11596</b>	\$190.00
50 g - 100mg	<b>11588</b>	\$190.00
50 g - 1g	<b>11596</b>	\$190.00
50 g - 1g	<b>11588</b>	\$190.00

## Accessories

Description	Part #	Price
Statement of Accuracy	<b>36092</b>	\$47.50
Weight glove, white cotton	<b>11714</b>	\$7.25
Tweezer	<b>11711</b>	\$5.25
Premium tweezer	<b>152414</b>	\$45.50
Serial number	<b>25836</b>	\$17.00
Leaf weight cover	<b>11755</b>	\$45.50

MASS REFERENCE STANDARDS / METRIC SETS

Range: 100 g

**Class 0**

Statement of Accuracy not available

Set Range	Part #	Price
100 g - 1 mg	45930	\$4,375.00
100 g - 5 mg	84211	\$3,825.00
100 g - 10 mg	84212	\$3,525.00
100 g - 100 mg	45931	\$2,925.00
100 g - 1 g	45932	\$2,120.00

**Certificate**

Accredited
Included
Included
Included
Included
Included

**Class 1**

Set Range	Part #	Price
100 g - 1 mg	12457	\$1,280.00
100 g - 1 mg*	11897	\$1,280.00
100 g - 5 mg	11911	\$1,140.00
100 g - 5 mg*	11896	\$1,140.00
100 g - 10 mg	12460	\$1,120.00
100 g - 10 mg*	11895	\$1,120.00
100 g - 100 mg	45956	\$905.00
100 g - 100 mg*	45948	\$905.00
100 g - 1 g	12461	\$815.00
100 g - 1 g*	11894	\$815.00

**Optional Certificate**

Accredited	Non-accredited
\$830.00	\$620.00
\$830.00	\$620.00
\$705.00	\$540.00
\$705.00	\$540.00
\$670.00	\$530.00
\$670.00	\$530.00
\$510.00	\$405.00
\$510.00	\$405.00
\$355.00	\$280.00
\$355.00	\$280.00

**Class 2**

Set Range	Part #	Price
100 g - 1 mg	11901	\$1,120.00
100 g - 1 mg*	12160	\$1,120.00
100 g - 5 mg	12158	\$995.00
100 g - 5 mg*	-	Consult
100 g - 10 mg	11912	\$975.00
100 g - 10 mg*	12157	\$975.00
100 g - 100 mg	45957	\$945.00
100 g - 100 mg*	45949	\$945.00
100 g - 1 g	11913	\$815.00
100 g - 1 g*	12156	\$805.00

**Optional Certificate**

Accredited	Non-accredited
\$830.00	\$620.00
\$830.00	\$620.00
\$705.00	\$540.00
\$705.00	\$540.00
\$670.00	\$530.00
\$670.00	\$530.00
\$510.00	\$405.00
\$510.00	\$405.00
\$355.00	\$280.00
\$355.00	\$280.00

**Class 3**

Set Range	Part #	Price
100 g - 1 mg	12018	\$1,050.00
100 g - 1 mg*	12298	\$1,050.00
100 g - 5 mg	12031	\$930.00
100 g - 5 mg*	12296	\$930.00
100 g - 10 mg	12035	\$925.00
100 g - 10 mg*	12295	\$925.00
100 g - 100 mg	45958	\$880.00
100 g - 100 mg*	45950	\$880.00
100 g - 1 g	12045	\$785.00
100 g - 1 g*	12294	\$785.00

**Optional Certificate**

Accredited	Non-accredited
\$830.00	\$620.00
\$830.00	\$620.00
\$705.00	\$540.00
\$705.00	\$540.00
\$670.00	\$530.00
\$670.00	\$530.00
\$510.00	\$405.00
\$510.00	\$405.00
\$355.00	\$280.00
\$355.00	\$280.00

**Class 4**

Set Range	Part #	Price
100 g - 1 mg	12164	\$960.00
100 g - 1 mg*	12401	\$960.00
100 g - 5 mg	12177	\$930.00
100 g - 5 mg*	12399	\$930.00
100 g - 10 mg	12181	\$925.00
100 g - 10 mg*	12398	\$925.00
100 g - 100 mg	45959	\$780.00
100 g - 100 mg*	45951	\$780.00
100 g - 1 g	12191	\$680.00
100 g - 1 g*	12397	\$680.00

**Optional Certificate**

Accredited
\$505.00
\$505.00
\$430.00
\$430.00
\$395.00
\$395.00
\$305.00
\$305.00
\$215.00
\$215.00

\* 5-2-2-1 configuration

CALIBRATION WEIGHTS  
ASTM PRECISION



PN 12457 Set Includes Lifting Device, Glove and Case



# Range: 100 g

## Weight Set Contents

5-2-2-1		5-2-2-1		5-2-2-1		5-2-2-1		5-2-2-1	
100 g - 1mg	100 g - 1mg	100 g - 5mg	100 g - 5mg	100 g - 10mg	100 g - 10mg	100 g - 100mg	100 g - 100mg	100 g - 1g	100 g - 1g
<b>45930</b> Class 0	–	<b>84211</b> Class 0	–	<b>84212</b> Class 0	–	<b>45931</b> Class 0	–	<b>45932</b> Class 0	–
<b>12457</b> Class 1	<b>11897</b> Class 1	<b>11911</b> Class 1	<b>11896</b> Class 1	<b>12460</b> Class 1	<b>11895</b> Class 1	<b>45956</b> Class 1	<b>45948</b> Class 1	<b>12461</b> Class 1	<b>11894</b> Class 1
<b>11901</b> Class 2	<b>12160</b> Class 2	<b>12158</b> Class 2	–	<b>11912</b> Class 2	<b>12157</b> Class 2	<b>45957</b> Class 2	<b>45949</b> Class 2	<b>11913</b> Class 2	<b>12156</b> Class 2
<b>12018</b> Class 3	<b>12298</b> Class 3	<b>12031</b> Class 3	<b>12296</b> Class 3	<b>12035</b> Class 3	<b>12295</b> Class 3	<b>45958</b> Class 3	<b>45950</b> Class 3	<b>12045</b> Class 3	<b>12294</b> Class 3
<b>12164</b> Class 4	<b>12401</b> Class 4	<b>12177</b> Class 4	<b>12399</b> Class 4	<b>12181</b> Class 4	<b>12398</b> Class 4	<b>45959</b> Class 4	<b>45951</b> Class 4	<b>12191</b> Class 4	<b>12397</b> Class 4
(1) 100 g	(1) 100 g	(1) 100 g	(1) 100 g	(1) 100 g	(1) 100 g	(1) 100 g	(1) 100 g	(1) 100 g	(1) 100 g
(1) 50 g	(1) 50 g	(1) 50 g	(1) 50 g	(1) 50 g	(1) 50 g	(1) 50 g	(1) 50 g	(1) 50 g	(1) 50 g
(1) 30 g	–	(1) 30 g	–	(1) 30 g	–	(1) 30 g	–	(1) 30 g	–
(1) 20 g	(2) 20 g	(1) 20 g	(2) 20 g	(1) 20 g	(2) 20 g	(1) 20 g	(2) 20 g	(1) 20 g	(2) 20 g
(1) 10 g	(1) 10 g	(1) 10 g	(1) 10 g	(1) 10 g	(1) 10 g	(1) 10 g	(1) 10 g	(1) 10 g	(1) 10 g
(1) 5 g	(1) 5 g	(1) 5 g	(1) 5 g	(1) 5 g	(1) 5 g	(1) 5 g	(1) 5 g	(1) 5 g	(1) 5 g
(1) 3 g	–	(1) 3 g	–	(1) 3 g	–	(1) 3 g	–	(1) 3 g	–
(1) 2 g	(2) 2 g	(1) 2 g	(2) 2 g	(1) 2 g	(2) 2 g	(1) 2 g	(2) 2 g	(1) 2 g	(2) 2 g
(1) 1 g	(1) 1 g	(1) 1 g	(1) 1 g	(1) 1 g	(1) 1 g	(1) 1 g	(1) 1 g	(1) 1 g	(1) 1 g
(1) 500 mg	(1) 500 mg	(1) 500 mg	(1) 500 mg	(1) 500 mg	(1) 500 mg	(1) 500 mg	(1) 500 mg	(1) 500 mg	
(1) 300 mg	–	(1) 300 mg	–	(1) 300 mg	–	(1) 300 mg	–	(1) 300 mg	
(1) 200 mg	(2) 200 mg	(1) 200 mg	(2) 200 mg	(1) 200 mg	(2) 200 mg	(1) 200 mg	(2) 200 mg	(1) 200 mg	
(1) 100 mg	(1) 100 mg	(1) 100 mg	(1) 100 mg	(1) 100 mg	(1) 100 mg	(1) 100 mg	(1) 100 mg	(1) 100 mg	
(1) 50 mg	(1) 50 mg	(1) 50 mg	(1) 50 mg	(1) 50 mg	(1) 50 mg	(1) 50 mg			
(1) 30 mg	–	(1) 30 mg	–	(1) 30 mg	–				
(1) 20 mg	(2) 20 mg	(1) 20 mg	(2) 20 mg	(1) 20 mg	(2) 20 mg				
(1) 10 mg	(1) 10 mg	(1) 10 mg	(1) 10 mg	(1) 10 mg	(1) 10 mg				
(1) 5 mg	(1) 5 mg	(1) 5 mg	(1) 5 mg						
(1) 3 mg	–								
(1) 2 mg	(2) 2 mg								
(1) 1 mg	(1) 1 mg								
21 pcs. 222.221g set wt.	21 pcs. 211.11g set wt.	18 pcs. 222.215g set wt.	18 pcs. 211.085g set wt.	17 pcs. 222.21g set wt.	17 pcs. 211.1g set wt.	13 pcs. 222.1g set wt.	13 pcs. 211g set wt.	9 pcs. 221g set wt.	9 pcs. 210g set wt.

CALIBRATION WEIGHTS  
ASTM PRECISION

## Replacement Cases

Main Cases		
Class 0		
Set Range	Part #	Price
100 g - 1mg	<b>49503</b>	\$265.00
100 g - 5mg	<b>49503</b>	\$265.00
100 g - 10mg	<b>49503</b>	\$265.00
100 g - 100mg	<b>49503</b>	\$265.00
100 g - 1g	<b>49503</b>	\$265.00

Main Case		
Class 1, 2, 3 and 4		
Set Range	Part #	Price
100 g - 1mg	<b>11596</b>	\$190.00
100 g - 1mg	<b>11588</b>	\$190.00
100 g - 5mg	<b>11596</b>	\$190.00
100 g - 5mg	<b>11588</b>	\$190.00
100 g - 10mg	<b>11596</b>	\$190.00
100 g - 10mg	<b>11588</b>	\$190.00
100 g - 100mg	<b>11596</b>	\$190.00
100 g - 100mg	<b>11588</b>	\$190.00
100 g - 1g	<b>11596</b>	\$190.00
100 g - 1g	<b>11588</b>	\$190.00

## Accessories

Description	Part #	Price
Statement of Accuracy	<b>36092</b>	\$47.50
Weight glove, white cotton	<b>11714</b>	\$7.25
Tweezer	<b>11711</b>	\$5.25
Premium tweezer	<b>152414</b>	\$45.50
Serial number	<b>25836</b>	\$17.00
Leaf weight cover	<b>11755</b>	\$45.50

# Range: 200 g

### Class 0

Statement of Accuracy not available.

Set Range	Part #	Price
200 g - 1mg	<b>45927</b>	\$4,825.00
200 g - 1mg*	<b>156298</b>	\$4,825.00
(2) 200 g - 1mg*	<b>87039</b>	\$5,375.00
200 g - 10 mg	<b>84213</b>	\$4,350.00
(2) 200 g - 10 mg*	<b>87038</b>	\$4,650.00
200 g - 100 mg	<b>45928</b>	\$3,775.00
(2) 200 g - 100 mg*	<b>87037</b>	\$4,025.00
200 g - 1g	<b>45929</b>	\$2,525.00
(2) 200 g - 1g*	<b>87040</b>	\$3,000.00

### Certificate

Accredited
Included
Included
Included
Included
Included
Included
Included
Included
Included

### Class 1

Set Range	Part #	Price
200 g - 1mg	<b>12462</b>	\$1,360.00
200 g - 1mg*	<b>156299</b>	\$1,360.00
(2) 200 g - 1mg*	<b>87053</b>	\$1,440.00
200 g - 10 mg	<b>12467</b>	\$1,240.00
(2) 200 g - 10 mg*	<b>87049</b>	\$1,420.00
200 g - 100 mg	<b>45960</b>	\$1,200.00
(2) 200 g - 100 mg*	<b>87045</b>	\$1,370.00
200 g - 1g	<b>12468</b>	\$1,010.00
200 g - 1g*	<b>11893</b>	\$1,010.00
(2) 200 g - 1g*	<b>87057</b>	\$1,160.00

### Optional Certificate

Accredited	Non-accredited
\$930.00	\$660.00
\$930.00	\$660.00
\$1,020.00	\$675.00
\$770.00	\$535.00
\$870.00	\$625.00
\$610.00	\$450.00
\$700.00	\$495.00
\$450.00	\$325.00
\$450.00	\$325.00
\$540.00	\$370.00

### Class 2

Set Range	Part #	Price
200 g - 1mg	<b>11914</b>	\$1,310.00
200 g - 1mg*	<b>156300</b>	\$1,310.00
(2) 200 g - 1mg*	<b>87054</b>	\$1,360.00
200 g - 10 mg	<b>11916</b>	\$1,070.00
(2) 200 g - 10 mg*	<b>87050</b>	\$1,330.00
200 g - 100 mg	<b>45961</b>	\$1,020.00
(2) 200 g - 100 mg*	<b>87046</b>	\$1,300.00
200 g - 1g	<b>11917</b>	\$945.00
200 g - 1g*	<b>12154</b>	\$945.00
(2) 200 g - 1g*	<b>87058</b>	\$980.00

### Optional Certificate

Accredited	Non-accredited
\$930.00	\$660.00
\$930.00	\$660.00
\$1,020.00	\$675.00
\$770.00	\$535.00
\$870.00	\$625.00
\$610.00	\$450.00
\$700.00	\$495.00
\$450.00	\$325.00
\$450.00	\$325.00
\$540.00	\$370.00

### Class 3

Set Range	Part #	Price
200 g - 1mg	<b>12051</b>	\$1,290.00
200 g - 1mg*	<b>156301</b>	\$1,290.00
(2) 200 g - 1mg*	<b>87055</b>	\$1,360.00
200 g - 10 mg	<b>12064</b>	\$1,040.00
(2) 200 g - 10 mg*	<b>87051</b>	\$1,300.00
200 g - 100 mg	<b>45962</b>	\$945.00
(2) 200 g - 100 mg*	<b>87047</b>	\$1,290.00
200 g - 1g	<b>12065</b>	\$935.00
200 g - 1g*	<b>12292</b>	\$935.00
(2) 200 g - 1g*	<b>87059</b>	\$975.00

### Optional Certificate

Accredited	Non-accredited
\$930.00	\$660.00
\$930.00	\$660.00
\$1,020.00	\$675.00
\$770.00	\$535.00
\$870.00	\$625.00
\$610.00	\$450.00
\$700.00	\$495.00
\$450.00	\$325.00
\$450.00	\$325.00
\$540.00	\$370.00

### Class 4

Set Range	Part #	Price
200 g - 1mg	<b>12197</b>	\$1,010.00
200 g - 1mg*	<b>156302</b>	\$1,010.00
(2) 200 g - 1mg*	<b>87056</b>	\$1,100.00
200 g - 10 mg	<b>12210</b>	\$965.00
(2) 200 g - 10 mg*	<b>87052</b>	\$1,050.00
200 g - 100 mg	<b>45963</b>	\$865.00
(2) 200 g - 100 mg*	<b>87048</b>	\$1,010.00
200 g - 1g	<b>12211</b>	\$735.00
200 g - 1g*	<b>12395</b>	\$735.00
(2) 200 g - 1g*	<b>87060</b>	\$860.00

### Optional Certificate

Accredited
\$530.00
\$530.00
\$560.00
\$440.00
\$470.00
\$340.00
\$375.00
\$245.00
\$245.00
\$280.00

## Weight Set Contents

200 g - 1 mg		200 g - 1 mg	
5-2-2-1		5-2-2-1	
<b>45927</b> Class 0		<b>156298</b> Class 0	
<b>12462</b> Class 1		<b>156299</b> Class 1	
<b>11914</b> Class 2		<b>156300</b> Class 2	
<b>12051</b> Class 3		<b>156301</b> Class 3	
<b>12197</b> Class 4		<b>156302</b> Class 4	
(1) 200 g	(1) 200 g	(1) 200 g	(1) 200 g
(1) 100 g	(1) 100 g	(1) 100 g	(1) 100 g
(1) 50 g	(1) 50 g	(1) 50 g	(1) 50 g
(1) 30 g	-	(1) 30 g	-
(1) 20 g	(2) 20 g	(1) 20 g	(2) 20 g
(1) 10 g	(1) 10 g	(1) 10 g	(1) 10 g
(1) 5 g	(1) 5 g	(1) 5 g	(1) 5 g
(1) 3 g	-	(1) 3 g	-
(1) 2 g	(2) 2 g	(1) 2 g	(2) 2 g
(1) 1g	(1) 1g	(1) 1g	(1) 1g
(1) 500 mg	(1) 500 mg	(1) 500 mg	(1) 500 mg
(1) 300 mg	-	(1) 300 mg	-
(1) 200 mg	(2) 200 mg	(1) 200 mg	(2) 200 mg
(1) 100 mg	(1) 100 mg	(1) 100 mg	(1) 100 mg
(1) 50 mg	(1) 50 mg	(1) 50 mg	(1) 50 mg
(1) 30 mg	-	(1) 30 mg	-
(1) 20 mg	(2) 20 mg	(1) 20 mg	(2) 20 mg
(1) 10 mg	(1) 10 mg	(1) 10 mg	(1) 10 mg
(1) 5 mg	(1) 5 mg	(1) 5 mg	(1) 5 mg
(1) 3 mg	-	(1) 3 mg	-
(1) 2 mg	(2) 2 mg	(1) 2 mg	(2) 2 mg
(1) 1 mg	(1) 1 mg	(1) 1 mg	(1) 1 mg
<b>22 pcs.</b> <b>422.221g set wt.</b>		<b>22 pcs.</b> <b>422.221g set wt.</b>	



PN 12462 Set Includes Lifting Device, Glove and Case

\* 5-2-2-1 configuration

CALIBRATION WEIGHTS  
ASTM PRECISION

# Range: 200 g

## Weight Set Contents

5-2-2-1		5-2-2-1		5-2-2-1		5-2-2-1		5-2-2-1		5-2-2-1	
(2) 200 g - 1mg		200 g - 10 mg		(2) 200 g - 10 mg		200 g - 100 mg		(2) 200 g - 100 mg		200 g - 1g	
<b>87039</b> Class 0	<b>84213</b> Class 0	<b>87038</b> Class 0	<b>45928</b> Class 0	<b>87037</b> Class 0	<b>45929</b> Class 0	–	<b>87040</b> Class 0				
<b>87053</b> Class 1	<b>12467</b> Class 1	<b>87049</b> Class 1	<b>45960</b> Class 1	<b>87045</b> Class 1	<b>12468</b> Class 1	<b>11893</b> Class 1	<b>87057</b> Class 1				
<b>87054</b> Class 2	<b>11916</b> Class 2	<b>87050</b> Class 2	<b>45961</b> Class 2	<b>87046</b> Class 2	<b>11917</b> Class 2	<b>12154</b> Class 2	<b>87058</b> Class 2				
<b>87055</b> Class 3	<b>12064</b> Class 3	<b>87051</b> Class 3	<b>45962</b> Class 3	<b>87047</b> Class 3	<b>12065</b> Class 3	<b>12292</b> Class 3	<b>87059</b> Class 3				
<b>87056</b> Class 4	<b>12210</b> Class 4	<b>87052</b> Class 4	<b>45963</b> Class 4	<b>87048</b> Class 4	<b>12211</b> Class 4	<b>12395</b> Class 4	<b>87060</b> Class 4				
(2) 200 g	(1) 200 g	(2) 200 g	(1) 200 g	(2) 200 g	(1) 200 g	(1) 200 g	(2) 200 g				
(1) 100 g	(1) 100 g	(1) 100 g	(1) 100 g	(1) 100 g	(1) 100 g	(1) 100 g	(1) 100 g				
(1) 50 g	(1) 50 g	(1) 50 g	(1) 50 g	(1) 50 g	(1) 50 g	(1) 50 g	(1) 50 g				
–	(1) 30 g	–	(1) 30 g	–	(1) 30 g	–	–				
(2) 20 g	(1) 20 g	(2) 20 g	(1) 20 g	(2) 20 g	(1) 20 g	(2) 20 g	(2) 20 g				
(1) 10 g	(1) 10 g	(1) 10 g	(1) 10 g	(1) 10 g	(1) 10 g	(1) 10 g	(1) 10 g				
(1) 5 g	(1) 5 g	(1) 5 g	(1) 5 g	(1) 5 g	(1) 5 g	(1) 5 g	(1) 5 g				
–	(1) 3 g	–	(1) 3 g	–	(1) 3 g	–	–				
(2) 2 g	(1) 2 g	(2) 2 g	(1) 2 g	(2) 2 g	(1) 2 g	(2) 2 g	(2) 2 g				
(1) 1g	(1) 1g	(1) 1g	(1) 1g	(1) 1g	(1) 1g	(1) 1g	(1) 1g				
(1) 500 mg	(1) 500 mg	(1) 500 mg	(1) 500 mg	(1) 500 mg	(1) 500 mg						
–	(1) 300 mg	–	(1) 300 mg	–	(1) 300 mg						
(2) 200 mg	(1) 200 mg	(2) 200 mg	(1) 200 mg	(2) 200 mg	(1) 200 mg						
(1) 100 mg	(1) 100 mg	(1) 100 mg	(1) 100 mg	(1) 100 mg	(1) 100 mg						
(1) 50 mg	(1) 50 mg	(1) 50 mg	(1) 50 mg	(1) 50 mg	(1) 50 mg						
–	(1) 30 mg	–	(1) 30 mg	–	(1) 30 mg						
(2) 20 mg	(1) 20 mg	(2) 20 mg	(1) 20 mg	(2) 20 mg	(1) 20 mg						
(1) 10 mg	(1) 10 mg	(1) 10 mg	(1) 10 mg	(1) 10 mg	(1) 10 mg						
(1) 5 mg											
–											
(2) 2 mg											
(1) 1 mg											
<b>23 pcs.</b> 622.221g set wt.	<b>18 pcs.</b> 422.210g set wt.	<b>19 pcs.</b> 611.1g set wt.	<b>14 pcs.</b> 422.19g set wt.	<b>15 pcs.</b> 611g set wt.	<b>10 pcs.</b> 421g set wt.	<b>10 pcs.</b> 410g set wt.	<b>11 pcs.</b> 610g set wt.				

CALIBRATION WEIGHTS  
ASTM PRECISION

## Replacement Cases

Main Cases		
Class 0, 1, 2, 3 and 4		
Set Range	Part #	Price
200 g - 1mg	<b>34645</b>	\$350.00
200 g - 1mg	<b>34645</b>	\$350.00
(2) 200 g - 1mg	<b>34645</b>	\$350.00
200 g - 10 mg	<b>34645</b>	\$350.00
(2) 200 g - 10 mg	<b>34645</b>	\$350.00
200 g - 100 mg	<b>34645</b>	\$350.00
(2) 200 g - 100 mg	<b>34645</b>	\$350.00
200 g - 1g	<b>34645</b>	\$350.00
(2) 200 g - 1g	<b>34645</b>	\$350.00

Inserts		
Class 0		
Set Range	Part #	Price
200 g - 1mg	<b>50431</b>	\$135.00
(2) 200 g - 1mg	<b>84473</b>	\$420.00
(2) 200 g - 10 mg	<b>84473</b>	\$420.00
(2) 200 g - 100 mg	<b>84473</b>	\$420.00
200 g - 1g	<b>50430</b>	\$135.00
(2) 200 - 1g	<b>84472</b>	\$420.00

Inserts		
Class 1, 2, 3 and 4		
Set Range	Part #	Price
200 g - 1mg	<b>11601</b>	\$205.00
(2) 200 g - 1g	<b>84465</b>	\$205.00
(2) 200 g - 1mg	<b>84464</b>	\$205.00
200 g - 1g*	<b>11587</b>	\$205.00

## Accessories

Description	Part #	Price
Statement of Accuracy	<b>36092</b>	\$47.50
Weight glove, white cotton	<b>11714</b>	\$7.25
Tweezer	<b>11711</b>	\$5.25
Premium tweezer	<b>152414</b>	\$45.50
Serial number	<b>25836</b>	\$17.00
Leaf weight cover	<b>11755</b>	\$45.50
Weight forceps, plastic	<b>50035</b>	\$45.50
Lifter bar	<b>11747</b>	\$22.25

**MASS REFERENCE STANDARDS / METRIC SETS**

**Range: 300 g and 500 g**

**Class 0**

Statement of Accuracy not available.

Set Range	Part #	Price
500 g - 1mg	<b>45923</b>	\$6,050.00
500 g - 100 mg	<b>45924</b>	\$4,775.00
500 g - 1g	<b>45925</b>	\$3,950.00
500 g - 100 g	<b>45926</b>	\$2,470.00

**Certificate**

Accredited
Included
Included
Included
Included

**Class 1**

Set Range	Part #	Price
300 g - 1g	<b>11892</b>	\$1,700.00
500 g - 1mg	<b>12469</b>	\$2,825.00
500 g - 100 mg	<b>45964</b>	\$2,775.00
500 g - 1g	<b>12472</b>	\$1,850.00
500 g - 1g*	<b>11891</b>	\$1,850.00
500 g - 100 g	<b>45968</b>	\$1,310.00

**Optional Certificate**

Accredited	Non-accredited
\$540.00	\$370.00
\$1,120.00	\$535.00
\$800.00	\$410.00
\$640.00	\$410.00
\$640.00	\$165.00
\$325.00	\$165.00

**Class 2**

Set Range	Part #	Price
300 g - 1g	<b>12152</b>	\$1,560.00
500 g - 1mg	<b>11918</b>	\$2,170.00
500 g - 100 mg	<b>45965</b>	\$2,040.00
500 g - 1g	<b>11921</b>	\$1,700.00
500 g - 1g*	<b>12151</b>	\$1,700.00
500 g - 100 g	<b>45969</b>	\$1,200.00

**Optional Certificate**

Accredited	Non-accredited
\$540.00	\$370.00
\$1,120.00	\$715.00
\$800.00	\$535.00
\$640.00	\$410.00
\$640.00	\$395.00
\$325.00	\$165.00

**Class 3**

Set Range	Part #	Price
300 g - 1g	<b>12290</b>	\$1,500.00
500 g - 1mg	<b>12066</b>	\$2,120.00
500 g - 100 mg	<b>45966</b>	\$1,940.00
500 g - 1g	<b>12069</b>	\$1,650.00
500 g - 1g*	<b>12289</b>	\$1,650.00
500 g - 100 g	<b>45970</b>	\$1,180.00

**Optional Certificate**

Accredited	Non-accredited
\$540.00	\$370.00
\$1,120.00	\$715.00
\$800.00	\$535.00
\$640.00	\$410.00
\$640.00	\$395.00
\$325.00	\$165.00

**Class 4**

Set Range	Part #	Price
300 g - 1g	<b>12393</b>	\$1,380.00
500 g - 1mg	<b>12212</b>	\$1,940.00
500 g - 100 mg	<b>45967</b>	\$1,730.00
500 g - 1g	<b>12215</b>	\$1,530.00
500 g - 1g*	<b>12392</b>	\$1,530.00
500 g - 100 g	<b>45971</b>	\$1,010.00

**Optional Certificate**

Accredited
\$280.00
\$605.00
\$375.00
\$310.00
\$310.00
\$125.00

\* 5-2-2-1 configuration



PN 12151 Set Includes Lifting Device, Glove and Case (500 g to 1 g)

**CALIBRATION WEIGHTS  
ASTM PRECISION**

**Replacement Cases**

Main Cases		
Class 0		
Set Range	Part #	Price
500 g - 1mg	<b>34645</b>	\$350.00
500 g - 100 mg	<b>34645</b>	\$350.00
500 g - 1g	<b>34645</b>	\$350.00
500 g - 100 g	<b>34645</b>	\$350.00

Main Case		
Class 1, 2, 3 and 4		
Set Range	Part #	Price
300 g - 1g	<b>34645</b>	\$350.00
500 g - 1mg	<b>34645</b>	\$350.00
500 g - 100 mg	<b>34645</b>	\$350.00
500 g - 1g	<b>34645</b>	\$350.00
500 g - 1g	<b>34645</b>	\$350.00
500 g - 100 g	<b>34645</b>	\$350.00

Inserts		
Class 0		
Set Range	Part #	Price
500 g - 1mg	<b>49500</b>	\$275.00
500 g - 100 g	<b>49501</b>	\$220.00

Inserts		
Class 1, 2, 3 and 4		
Set Range	Part #	Price
300 g - 1g	<b>11586</b>	\$205.00
500 g - 1mg	<b>11602</b>	\$205.00
500 g - 1g*	<b>11585</b>	\$205.00

\* 5-2-2-1 configuration

# Range: 300 g and 500 g

## Weight Set Contents

5-2-2-1

300 g - 1g	500 g - 1mg	500 g - 100 mg	500 g - 1g	500 g - 1g	500 g - 100 g
– <b>11892</b> Class 1 <b>12152</b> Class 2 <b>12290</b> Class 3 <b>12393</b> Class 4	<b>45923</b> Class 0 <b>12469</b> Class 1 <b>11918</b> Class 2 <b>12066</b> Class 3 <b>12212</b> Class 4	<b>45924</b> Class 0 <b>45964</b> Class 1 <b>45965</b> Class 2 <b>45966</b> Class 3 <b>45967</b> Class 4	<b>45925</b> Class 0 <b>12472</b> Class 1 <b>11921</b> Class 2 <b>12069</b> Class 3 <b>12215</b> Class 4	– <b>11891</b> Class 1 <b>12151</b> Class 2 <b>12289</b> Class 3 <b>12392</b> Class 4	<b>45926</b> Class 0 <b>45968</b> Class 1 <b>45969</b> Class 2 <b>45970</b> Class 3 <b>45971</b> Class 4
– (1) 300 g (1) 200 g (1) 100 g (1) 50 g (1) 30 g (1) 20 g (1) 10 g (1) 5 g (1) 3 g (1) 2 g (1) 1 g	(1) 500 g (1) 300 g (1) 200 g (1) 100 g (1) 50 g (1) 30 g (1) 20 g (1) 10 g (1) 5 g (1) 3 g (1) 2 g (1) 1 g (1) 500 mg (1) 300 mg (1) 200 mg (1) 100 mg (1) 50 mg (1) 30 mg (1) 20 mg (1) 10 mg (1) 5 mg (1) 3 mg (1) 2 mg (1) 1 mg	(1) 500 g (1) 300 g (1) 200 g (1) 100 g (1) 50 g (1) 30 g (1) 20 g (1) 10 g (1) 5 g (1) 3 g (1) 2 g (1) 1 g (1) 500 mg (1) 300 mg (1) 200 mg (1) 100 mg	(1) 500 g (1) 300 g (1) 200 g (1) 100 g (1) 50 g (1) 30 g (1) 20 g (1) 10 g (1) 5 g (1) 3 g (1) 2 g (1) 1 g	(1) 500 g – (2) 200 g (1) 100 g (1) 50 g – (2) 20 g (1) 10 g (1) 5 g – (2) 2 g (1) 1 g	(1) 500 g (1) 300 g (1) 200 g (1) 100 g
11 pcs. 721g set wt.	24 pcs. 1.222221 kg set wt.	16 pcs. 1.2221 kg set wt.	12 pcs. 1.221 kg set wt.	12 pcs. 1.10 kg set wt.	4 pcs. 1.1 kg set wt.

CALIBRATION WEIGHTS  
ASTM PRECISION

## Accessories

Description	Part #	Price
Statement of Accuracy	<b>36092</b>	\$47.50
Weight glove, white cotton	<b>11714</b>	\$7.25
Tweezer	<b>11711</b>	\$5.25
Premium tweezer	<b>152414</b>	\$45.50
Serial number	<b>25836</b>	\$17.00
Leaf weight cover	<b>11755</b>	\$45.50
Weight forceps, plastic	<b>50035</b>	\$45.50
Lifter bar	<b>11747</b>	\$22.25

MASS REFERENCE STANDARDS / METRIC SETS

Range: 1kg

**Class 0**

Statement of Accuracy not available.

Set Range	Part #	Price
1kg - 1mg	<b>45919</b>	\$6,975.00
1kg - 100 mg	<b>45920</b>	\$5,750.00
1kg - 1g	<b>45921</b>	\$4,850.00
1kg - 100 g	<b>45922</b>	\$3,550.00

**Certificate**

Accredited
Included
Included
Included
Included

**Class 1**

Set Range	Part #	Price
1kg - 1mg	<b>12473</b>	\$3,350.00
1kg - 100 mg	<b>45972</b>	\$3,275.00
1kg - 1g	<b>12476</b>	\$2,975.00
1kg - 1g*	<b>11889</b>	\$2,975.00
1kg - 100 g	<b>45976</b>	\$2,725.00

**Optional Certificate**

Accredited	Non-accredited
\$1,210.00	\$765.00
\$900.00	\$525.00
\$730.00	\$455.00
\$730.00	\$455.00
\$415.00	\$205.00

**Class 2**

Set Range	Part #	Price
1kg - 1mg	<b>11922</b>	\$3,050.00
1kg - 100 mg	<b>45973</b>	\$3,025.00
1kg - 1g	<b>11925</b>	\$2,875.00
1kg - 1g*	<b>12149</b>	\$2,875.00
1kg - 100 g	<b>45977</b>	\$2,625.00

**Optional Certificate**

Accredited	Non-accredited
\$1,210.00	\$765.00
\$900.00	\$525.00
\$730.00	\$455.00
\$730.00	\$455.00
\$415.00	\$205.00

**Class 3**

Set Range	Part #	Price
1kg - 1mg	<b>12070</b>	\$3,025.00
1kg - 100 mg	<b>45974</b>	\$2,975.00
1kg - 1g	<b>12073</b>	\$2,750.00
1kg - 1g*	<b>12288</b>	\$2,750.00
1kg - 100 g	<b>45978</b>	\$2,575.00

**Optional Certificate**

Accredited	Non-accredited
\$1,210.00	\$765.00
\$900.00	\$525.00
\$730.00	\$455.00
\$730.00	\$455.00
\$415.00	\$205.00

**Class 4**

Set Range	Part #	Price
1kg - 1mg	<b>12216</b>	\$2,800.00
1kg - 100 mg	<b>45975</b>	\$2,750.00
1kg - 1g	<b>12219</b>	\$2,675.00
1kg - 1g*	<b>12391</b>	\$2,575.00
1kg - 100 g	<b>45979</b>	\$2,280.00

**Optional Certificate**

Accredited
\$630.00
\$445.00
\$350.00
\$350.00
\$155.00

\* 5-2-2-1 configuration

CALIBRATION WEIGHTS  
ASTM PRECISION



PN 12473 Set Includes Lifting Device, Glove and Case (1 kg to 1 mg)

Replacement Cases

Main Cases		
Class 0		
Set Range	Part #	Price
1kg - 1mg	<b>50437</b>	\$1,920.00
1kg - 100 mg	<b>50437</b>	\$1,920.00
1kg - 1g	<b>50437</b>	\$1,920.00
1kg - 100 g	<b>50437</b>	\$1,920.00

Main Case		
Class 1, 2, 3 and 4		
Set Range	Part #	Price
1kg - 1mg	<b>11603</b>	\$1,920.00
1kg - 100 mg	<b>11603</b>	\$1,920.00
1kg - 1g	<b>11603</b>	\$1,920.00
1kg - 1g	<b>11584</b>	\$1,660.00
1kg - 100 g	<b>11603</b>	\$1,920.00

Secondary Case		
Class 0		
Set Range	Part #	Price
100 g - 1mg	<b>49503</b>	\$265.00

Secondary Case		
Class 1, 2, 3 and 4		
Set Range	Part #	Price
100 g - 1mg	<b>11596</b>	\$190.00
100 g - 1mg*	<b>11588</b>	\$190.00

\* 5-2-2-1 configuration



# Range: 1kg

## Weight Set Contents

5-2-2-1

1kg - 1mg	1kg - 100 mg	1kg - 1g	1kg - 1g	1kg - 100 g
<b>45919</b> Class 0	<b>45920</b> Class 0	<b>45921</b> Class 0	–	<b>45922</b> Class 0
<b>12473</b> Class 1	<b>45972</b> Class 1	<b>12476</b> Class 1	<b>11889</b> Class 1	<b>45976</b> Class 1
<b>11922</b> Class 2	<b>45973</b> Class 2	<b>11925</b> Class 2	<b>12149</b> Class 2	<b>45977</b> Class 2
<b>12070</b> Class 3	<b>45974</b> Class 3	<b>12073</b> Class 3	<b>12288</b> Class 3	<b>45978</b> Class 3
<b>12216</b> Class 4	<b>45975</b> Class 4	<b>12219</b> Class 4	<b>12391</b> Class 4	<b>45979</b> Class 4
(1) 1kg	(1) 1kg	(1) 1kg	(1) 1kg	(1) 1kg
(1) 500g	(1) 500g	(1) 500g	(1) 500g	(1) 500g
(1) 300g	(1) 300g	(1) 300g	–	(1) 300g
(1) 200g	(1) 200g	(1) 200g	(2) 200g	(1) 200g
(1) 100g	(1) 100g	(1) 100g	(1) 100g	(1) 100g
(1) 50g	(1) 50g	(1) 50g	(1) 50g	
(1) 30g	(1) 30g	(1) 30g	–	
(1) 20g	(1) 20g	(1) 20g	(2) 20g	
(1) 10g	(1) 10g	(1) 10g	(1) 10g	
(1) 5g	(1) 5g	(1) 5g	(1) 5g	
(1) 3g	(1) 3g	(1) 3g	–	
(1) 2g	(1) 2g	(1) 2g	(2) 2g	
(1) 1g	(1) 1g	(1) 1g	(1) 1g	
(1) 500 mg	(1) 500 mg			
(1) 300 mg	(1) 300 mg			
(1) 200 mg	(1) 200 mg			
(1) 100 mg	(1) 100 mg			
(1) 50 mg				
(1) 30 mg				
(1) 20 mg				
(1) 10 mg				
(1) 5 mg				
(1) 3 mg				
(1) 2 mg				
(1) 1 mg				
<b>25 pcs.</b> 2.222221kg set wt.	<b>17 pcs.</b> 2.2221kg set wt.	<b>13 pcs.</b> 2.221kg set wt.	<b>13 pcs.</b> 2.11kg set wt.	<b>5 pcs.</b> 2.1kg set wt.

CALIBRATION WEIGHTS  
ASTM PRECISION

## Accessories

Inserts		
Class 1, 2, 3 and 4		
Set Range	Part #	Price
100 g	<b>46380</b>	\$130.00

Description	Part #	Price
Statement of Accuracy	<b>36092</b>	\$47.50
Weight glove, white cotton	<b>11714</b>	\$7.25
Tweezer	<b>11711</b>	\$5.25
Premium tweezer	<b>152414</b>	\$45.50
Serial number	<b>25836</b>	\$17.00
Leaf weight cover	<b>11755</b>	\$45.50
Weight forceps, plastic	<b>50035</b>	\$45.50
Lifter bar	<b>11747</b>	\$22.25
Tong assembly, Class 0	<b>50000</b>	\$78.00

# Range: 2 kg

### Class 0

Statement of Accuracy not available.

Set Range	Part #	Price
2 kg - 1 mg	<b>45915</b>	\$8,900.00
(2) 2 kg - 1 mg*	<b>87043</b>	\$10,675.00
(2) 2 kg - 10 mg*	<b>87042</b>	\$10,125.00
2 kg - 100 mg	<b>45916</b>	\$8,575.00
(2) 2 kg - 100 mg	<b>87041</b>	\$9,450.00
2 kg - 1 g	<b>45917</b>	\$6,425.00
(2) 2 kg - 1 g	<b>87044</b>	\$8,275.00
2 kg - 100 g	<b>45918</b>	\$5,175.00

### Certificate

Accredited
Included
Included
Included
Included
Included
Included
Included
Included

### Class 1

Set Range	Part #	Price
2 kg - 1 mg	<b>12477</b>	\$4,300.00
(2) 2 kg - 1 mg*	<b>87069</b>	\$4,800.00
(2) 2 kg - 10 mg*	<b>87065</b>	\$4,700.00
2 kg - 100 mg	<b>45980</b>	\$4,550.00
(2) 2 kg - 100 mg*	<b>87061</b>	\$4,650.00
2 kg - 1 g	<b>12480</b>	\$3,625.00
2 kg - 1 g*	<b>11888</b>	\$3,625.00
(2) 2 kg - 1 g*	<b>87073</b>	\$4,450.00
2 kg - 100 g	<b>45984</b>	\$3,500.00

### Optional Certificate

Accredited	Non-accredited
\$1,310.00	\$900.00
\$1,430.00	\$960.00
\$1,270.00	\$830.00
\$1,000.00	\$640.00
\$1,120.00	\$700.00
\$840.00	\$510.00
\$840.00	\$510.00
\$960.00	\$570.00
\$520.00	\$260.00

### Class 2

Set Range	Part #	Price
2 kg - 1 mg	<b>11926</b>	\$3,825.00
(2) 2 kg - 1 mg*	<b>87070</b>	\$4,600.00
(2) 2 kg - 10 mg*	<b>87066</b>	\$4,300.00
2 kg - 100 mg	<b>45981</b>	\$4,000.00
(2) 2 kg - 100 mg*	<b>87062</b>	\$4,125.00
2 kg - 1 g	<b>11929</b>	\$3,425.00
2 kg - 1 g*	<b>12148</b>	\$3,425.00
(2) 2 kg - 1 g*	<b>87074</b>	\$4,125.00
2 kg - 100 g	<b>45985</b>	\$3,350.00

### Optional Certificate

Accredited	Non-accredited
\$1,310.00	\$900.00
\$1,430.00	\$960.00
\$1,270.00	\$830.00
\$1,000.00	\$640.00
\$1,120.00	\$700.00
\$840.00	\$510.00
\$840.00	\$510.00
\$960.00	\$570.00
\$520.00	\$260.00

### Class 3

Set Range	Part #	Price
2 kg - 1 mg	<b>12074</b>	\$3,775.00
(2) 2 kg - 1 mg*	<b>87071</b>	\$4,450.00
(2) 2 kg - 10 mg*	<b>87067</b>	\$4,100.00
2 kg - 100 mg	<b>45982</b>	\$3,925.00
(2) 2 kg - 100 mg*	<b>87063</b>	\$3,925.00
2 kg - 1 g	<b>12077</b>	\$3,350.00
2 kg - 1 g*	<b>12287</b>	\$3,350.00
(2) 2 kg - 1 g*	<b>87075</b>	\$4,000.00
2 kg - 100 g	<b>45986</b>	\$3,125.00

### Optional Certificate

Accredited	Non-accredited
\$1,310.00	\$900.00
\$1,430.00	\$960.00
\$1,270.00	\$830.00
\$1,000.00	\$640.00
\$1,120.00	\$700.00
\$840.00	\$510.00
\$840.00	\$510.00
\$960.00	\$570.00
\$520.00	\$260.00

### Class 4

Set Range	Part #	Price
2 kg - 1 mg	<b>12220</b>	\$3,375.00
(2) 2 kg - 1 mg*	<b>87072</b>	\$4,100.00
(2) 2 kg - 10 mg*	<b>87068</b>	\$3,750.00
2 kg - 100 mg	<b>45983</b>	\$3,900.00
(2) 2 kg - 100 mg*	<b>87064</b>	\$3,725.00
2 kg - 1 g	<b>12223</b>	\$3,225.00
2 kg - 1 g*	<b>12390</b>	\$3,225.00
(2) 2 kg - 1 g*	<b>87076</b>	\$3,475.00
2 kg - 100 g	<b>45987</b>	\$3,000.00

### Optional Certificate

Accredited
\$640.00
\$730.00
\$640.00
\$490.00
\$540.00
\$395.00
\$395.00
\$450.00
\$210.00

\* 5-2-2-1 configuration



PN 12477 Set Includes Lifting Device, Glove and Case (2kg to 1mg)

CALIBRATION WEIGHTS  
ASTM PRECISION

# Range: 2 kg

## Weight Set Contents

5-2-2-1		5-2-2-1		5-2-2-1		5-2-2-1		5-2-2-1	
2 kg - 1mg	(2) 2 kg - 1mg	(2) 2 kg - 10 mg	2 kg - 100 mg	(2) 2 kg - 100 mg	2 kg - 1g	2 kg - 1g	(2) 2 kg - 1g	2 kg - 100 g	
<b>45915</b> Class 0	<b>87043</b> Class 0	<b>87042</b> Class 0	<b>45916</b> Class 0	<b>87041</b> Class 0	<b>45917</b> Class 0	–	<b>87044</b> Class 0	<b>45918</b> Class 0	
<b>12477</b> Class 1	<b>87069</b> Class 1	<b>87065</b> Class 1	<b>45980</b> Class 1	<b>87061</b> Class 1	<b>12480</b> Class 1	<b>11888</b> Class 1	<b>87073</b> Class 1	<b>45984</b> Class 1	
<b>11926</b> Class 2	<b>87070</b> Class 2	<b>87066</b> Class 2	<b>45981</b> Class 2	<b>87062</b> Class 2	<b>11929</b> Class 2	<b>12148</b> Class 2	<b>87074</b> Class 2	<b>45985</b> Class 2	
<b>12074</b> Class 3	<b>87071</b> Class 3	<b>87067</b> Class 3	<b>45982</b> Class 3	<b>87063</b> Class 3	<b>12077</b> Class 3	<b>12287</b> Class 3	<b>87075</b> Class 3	<b>45986</b> Class 3	
<b>12220</b> Class 4	<b>87072</b> Class 4	<b>87068</b> Class 4	<b>45983</b> Class 4	<b>87064</b> Class 4	<b>12223</b> Class 4	<b>12390</b> Class 4	<b>87076</b> Class 4	<b>45987</b> Class 4	
(1) 2 kg	(2) 2 kg	(2) 2 kg	(1) 2 kg	(2) 2 kg	(1) 2 kg	(1) 2 kg	(2) 2 kg	(1) 2 kg	
(1) 1kg	(1) 1kg	(1) 1kg	(1) 1kg	(1) 1kg	(1) 1kg	(1) 1kg	(1) 1kg	(1) 1kg	
(1) 500 g	(1) 500 g	(1) 500 g	(1) 500 g	(1) 500 g	(1) 500 g	(1) 500 g	(1) 500 g	(1) 500 g	
(1) 300 g	–	–	(1) 300 g	–	(1) 300 g	–	–	(1) 300 g	
(1) 200 g	(2) 200 g	(2) 200 g	(1) 200 g	(2) 200 g	(1) 200 g	(2) 200 g	(2) 200 g	(1) 200 g	
(1) 100 g	(1) 100 g	(1) 100 g	(1) 100 g	(1) 100 g	(1) 100 g	(1) 100 g	(1) 100 g	(1) 100 g	
(1) 50 g	(1) 50 g	(1) 50 g	(1) 50 g	(1) 50 g	(1) 50 g	(1) 50 g	(1) 50 g	(1) 100 g	
(1) 30 g	–	–	(1) 30 g	–	(1) 30 g	–	–		
(1) 20 g	(2) 20 g	(2) 20 g	(1) 20 g	(2) 20 g	(1) 20 g	(2) 20 g	(2) 20 g		
(1) 10 g	(1) 10 g	(1) 10 g	(1) 10 g	(1) 10 g	(1) 10 g	(1) 10 g	(1) 10 g		
(1) 5 g	(1) 5 g	(1) 5 g	(1) 5 g	(1) 5 g	(1) 5 g	(1) 5 g	(1) 5 g		
(1) 3 g	–	–	(1) 3 g	–	(1) 3 g	–	–		
(1) 2 g	(2) 2 g	(2) 2 g	(1) 2 g	(2) 2 g	(1) 2 g	(2) 2 g	(2) 2 g		
(1) 1g	(1) 1g	(1) 1g	(1) 1g	(1) 1g	(1) 1g	(1) 1g	(1) 1g		
(1) 500 mg	(1) 500 mg	(1) 500 mg	(1) 500 mg	(1) 500 mg					
(1) 300 mg	–	–	(1) 300 mg	–					
(1) 200 mg	(2) 200 mg	(2) 200 mg	(1) 200 mg	(2) 200 mg					
(1) 100 mg	(1) 100 mg	(1) 100 mg	(1) 100 mg	(1) 100 mg					
(1) 50 mg	(1) 50 mg	(1) 50 mg							
(1) 30 mg	–	–							
(1) 20 mg	(2) 20 mg	(2) 20 mg							
(1) 10 mg	(1) 10 mg	(1) 10 mg							
(1) 5 mg	(1) 5 mg								
(1) 3 mg	–								
(1) 2 mg	(2) 2 mg								
(1) 1mg	(1) 1mg								
26 pcs. 4.222221kg set wt.	27 pcs. 6.222221kg set wt.	23 pcs. 6.22kg set wt.	18 pcs. 4.2221kg set wt.	19 pcs. 6.2221kg set wt.	14 pcs. 4.11kg set wt.	14 pcs. 4.11kg set wt.	15 pcs. 6.221kg set wt.	6 pcs. 4.1kg set wt.	

CALIBRATION WEIGHTS  
ASTM PRECISION

## Replacement Cases

Main Cases		
Class 0		
Set Range	Part #	Price
2 kg - 1mg	<b>50439</b>	\$1,950.00
(2) 2 kg - 1mg	<b>84474</b>	\$2,070.00
(2) 2 kg - 10 mg	<b>84474</b>	\$2,070.00
2 kg - 100 mg	<b>50439</b>	\$1,950.00
(2) 2 kg - 100 mg	<b>84474</b>	\$2,070.00
2 kg - 1g	<b>50439</b>	\$1,950.00
(2) 2 kg - 1g	<b>84474</b>	\$2,070.00
2 kg - 100 g	<b>50438</b>	\$1,950.00

Main Case		
Class 1, 2, 3 and 4		
Set Range	Part #	Price
2 kg - 1mg	<b>11604</b>	\$1,660.00
(2) 2 kg - 1mg	<b>84463</b>	\$1,670.00
(2) 2 kg - 10 mg	<b>84463</b>	\$1,670.00
2 kg - 100 mg	<b>11604</b>	\$1,660.00
(2) 2 kg - 100 mg	<b>84463</b>	\$1,670.00
2 kg - 1g	<b>11604</b>	\$1,660.00
2 kg - 1g	<b>11583</b>	\$1,920.00
(2) 2 kg - 1g	<b>84463</b>	\$1,670.00
2 kg - 100 g	<b>11604</b>	\$1,660.00

Secondary Case		
Class 0		
Set Range	Part #	Price
100 g - 1mg	<b>34697</b>	\$240.00
100 g - 1mg	<b>49503</b>	\$265.00

Secondary Case		
Class 1, 2, 3 and 4		
Set Range	Part #	Price
100 g - 1mg	<b>11588</b>	\$190.00
100 g - 1mg	<b>11596</b>	\$190.00

Insert		
Wooden		
Set Range	Part #	Price
100 g	<b>46380</b>	\$130.00

## Accessories

Description	Part #	Price
Statement of Accuracy	<b>36092</b>	\$47.50
Weight glove, white cotton	<b>11714</b>	\$7.25
Tweezer	<b>11711</b>	\$5.25
Premium tweezer	<b>152414</b>	\$45.50
Serial number	<b>25836</b>	\$17.00
Leaf weight cover	<b>11755</b>	\$45.50
Weight forceps, plastic	<b>50035</b>	\$45.50
Lifter bar	<b>11747</b>	\$22.25
Lifter bar, large handle	<b>11712</b>	\$77.00
Tong assembly, Class 0	<b>50000</b>	\$78.00
Lifter (Class 0 and OIML 2 kg and 5 kg)	<b>50037</b>	\$57.00

# MASS REFERENCE STANDARDS / METRIC SETS

## Range: 3 kg and 5 kg

### Class 0

Statement of Accuracy not available.

Set Range	Part #	Price
5 kg - 1 mg	<b>45910</b>	\$12,075.00
5 kg - 100 mg	<b>45911</b>	\$11,375.00
5 kg - 1 g	<b>45912</b>	\$9,900.00
5 kg - 100 g	<b>45913</b>	\$8,325.00

### Certificate

Accredited
Included
Included
Included
Included

### Class 1

Set Range	Part #	Price
3 kg - 1 g	<b>11887</b>	\$4,725.00
5 kg - 1 mg	<b>12481</b>	\$6,300.00
5 kg - 1 mg*	<b>114050</b>	\$6,300.00
5 kg - 100 mg	<b>45988</b>	\$5,975.00
5 kg - 1 g	<b>12484</b>	\$5,600.00
5 kg - 1 g*	<b>11886</b>	\$5,600.00
5 kg - 100 g	<b>45992</b>	\$5,175.00

### Optional Certificate

Accredited	Non-accredited
\$960.00	\$515.00
\$1,400.00	\$840.00
\$1,400.00	\$840.00
\$1,225.00	\$765.00
\$1,075.00	\$635.00
\$1,075.00	\$635.00
\$755.00	\$400.00

### Class 2

Set Range	Part #	Price
3 kg - 1 g	<b>12147</b>	\$4,050.00
5 kg - 1 mg	<b>11930</b>	\$5,600.00
5 kg - 1 mg*	<b>114051</b>	\$5,600.00
5 kg - 100 mg	<b>45989</b>	\$5,550.00
5 kg - 1 g	<b>11933</b>	\$5,125.00
5 kg - 1 g*	<b>12146</b>	\$5,125.00
5 kg - 100 g	<b>45993</b>	\$4,700.00

### Optional Certificate

Accredited	Non-accredited
\$960.00	\$570.00
\$1,400.00	\$840.00
\$1,400.00	\$840.00
\$1,225.00	\$765.00
\$1,075.00	\$635.00
\$1,075.00	\$635.00
\$755.00	\$400.00

### Class 3

Set Range	Part #	Price
3 kg - 1 g	<b>12286</b>	\$4,025.00
5 kg - 1 mg	<b>12078</b>	\$5,500.00
5 kg - 1 mg*	<b>114052</b>	\$5,500.00
5 kg - 100 mg	<b>45990</b>	\$5,350.00
5 kg - 1 g	<b>12081</b>	\$5,125.00
5 kg - 1 g*	<b>12285</b>	\$5,100.00
5 kg - 100 g	<b>45994</b>	\$4,675.00

### Optional Certificate

Accredited	Non-accredited
\$960.00	\$570.00
\$1,400.00	\$840.00
\$1,400.00	\$840.00
\$1,225.00	\$765.00
\$1,075.00	\$635.00
\$1,075.00	\$635.00
\$755.00	\$400.00

### Class 4

Set Range	Part #	Price
3 kg - 1 g	<b>12389</b>	\$3,600.00
5 kg - 1 mg	<b>12224</b>	\$4,975.00
5 kg - 1 mg*	<b>114053</b>	\$4,975.00
5 kg - 100 mg	<b>45991</b>	\$4,850.00
5 kg - 1 g	<b>12227</b>	\$4,425.00
5 kg - 1 g*	<b>12388</b>	\$4,425.00
5 kg - 100 g	<b>45995</b>	\$4,050.00

### Optional Certificate

Accredited
\$445.00
\$780.00
\$780.00
\$590.00
\$490.00
\$490.00
\$300.00

\* 5-2-2-1 configuration



PN 11887 Set Includes Lifting Device, Glove and Case (3kg to 1g)

## Replacement Cases

Main Cases		
Class 0		
Set Range	Part #	Price
5 kg - 1 mg	<b>49495</b>	\$1,950.00
5 kg - 100 mg	<b>49495</b>	\$1,950.00
5 kg - 1 g	<b>49495</b>	\$1,950.00
5 kg - 100 g	<b>50440</b>	\$1,870.00

Main Case		
Class 1, 2, 3 and 4		
Set Range	Part #	Price
3 kg - 1 g	<b>11582</b>	\$1,660.00
5 kg - 1 mg	<b>11605</b>	\$1,660.00
5 kg - 1 mg	<b>11581</b>	\$1,660.00
5 kg - 100 mg	<b>11605</b>	\$1,660.00
5 kg - 1 g	<b>11605</b>	\$1,660.00
5 kg - 1 g	<b>11581</b>	\$1,660.00
5 kg - 100 g	<b>11605</b>	\$1,660.00

Secondary Case		
Class 0		
Set Range	Part #	Price
100 g - 1 mg	<b>49503</b>	\$265.00

Secondary Case		
Class 1, 2, 3 and 4		
Set Range	Part #	Price
100 g - 1 mg	<b>11588</b>	\$190.00
100 g - 1 mg	<b>11596</b>	\$190.00

# Range: 3 kg and 5 kg

## Weight Set Contents

5-2-2-1			5-2-2-1			
3 kg - 1g	5 kg - 1mg	5 kg - 1mg	5 kg - 100 mg	5 kg - 1g	5 kg - 1g	5 kg - 100 g
– <b>11887</b> Class 1 <b>12147</b> Class 2 <b>12286</b> Class 3 <b>12389</b> Class 4	<b>45910</b> Class 0 <b>12481</b> Class 1 <b>11930</b> Class 2 <b>12078</b> Class 3 <b>12224</b> Class 4	– <b>114050</b> Class 1 <b>114051</b> Class 2 <b>114052</b> Class 3 <b>114053</b> Class 4	<b>45911</b> Class 0 <b>45988</b> Class 1 <b>45989</b> Class 2 <b>45990</b> Class 3 <b>45991</b> Class 4	<b>45912</b> Class 0 <b>12484</b> Class 1 <b>11933</b> Class 2 <b>12081</b> Class 3 <b>12227</b> Class 4	– <b>11886</b> Class 1 <b>12146</b> Class 2 <b>12285</b> Class 3 <b>12388</b> Class 4	<b>45913</b> Class 0 <b>45992</b> Class 1 <b>45993</b> Class 2 <b>45994</b> Class 3 <b>45995</b> Class 4
– (1) 3 kg (1) 2 kg (1) 1 kg (1) 500 g (1) 300 g (1) 200 g (1) 100 g (1) 50 g (1) 30 g (1) 20 g (1) 10 g (1) 5 g (1) 3 g (1) 2 g (1) 1 g	(1) 5 kg (1) 3 kg (1) 2 kg (1) 1 kg (1) 500 g (1) 300 g (1) 200 g (1) 100 g (1) 50 g (1) 30 g (1) 20 g (1) 10 g (1) 5 g (1) 3 g (1) 2 g (1) 1 g (1) 500 mg (1) 300 mg (1) 200 mg (1) 100 mg (1) 50 mg (1) 30 mg (1) 20 mg (1) 10 mg (1) 5 mg (1) 3 mg (1) 2 mg (1) 1 mg	(1) 5 kg – (2) 2 kg (1) 1 kg (1) 500 g – (2) 200 g (1) 100 g (1) 50 g – (2) 20 g (1) 10 g (1) 5 g – (2) 2 g (1) 1 g (1) 500 mg – (2) 200 mg (1) 100 mg (1) 50 mg – (2) 20 mg (1) 10 mg (1) 5 mg – (2) 2 mg (1) 1 mg	(1) 5 kg (1) 3 kg (1) 2 kg (1) 1 kg (1) 500 g (1) 300 g (1) 200 g (1) 100 g (1) 50 g (1) 30 g (1) 20 g (1) 10 g (1) 5 g (1) 3 g (1) 2 g (1) 1 g (1) 500 mg (1) 300 mg (1) 200 mg (1) 100 mg	(1) 5 kg (1) 3 kg (1) 2 kg (1) 1 kg (1) 500 g (1) 300 g (1) 200 g (1) 100 g (1) 50 g (1) 30 g (1) 20 g (1) 10 g (1) 5 g (1) 3 g (1) 2 g (1) 1 g	(1) 5 kg – (2) 2 kg (1) 1 kg (1) 500 g – (2) 200 g (1) 100 g (1) 50 g – (2) 20 g (1) 10 g (1) 5 g – (2) 2 g (1) 1 g	(1) 5 kg (1) 3 kg (1) 2 kg (1) 1 kg (1) 500 g (1) 300 g (1) 200 g (1) 100 g
15 pcs. 7.221 kg set wt.	28 pcs. 12.222221 kg set wt.	28 pcs. 12.23 kg set wt.	20 pcs. 12.22 kg set wt.	16 pcs. 12.221 kg set wt.	16 pcs. 11.110 kg set wt.	8 pcs. 12.1 kg set wt.

CALIBRATION WEIGHTS  
ASTM PRECISION

## Accessories

Insert		
PVC Insert for Wooden Case		
Set Range	Part #	Price
100 g	<b>46380</b>	\$130.00

Description	Part #	Price
Statement of Accuracy	<b>36092</b>	\$47.50
Weight glove, white cotton	<b>11714</b>	\$7.25
Tweezer	<b>11711</b>	\$5.25
Premium tweezer	<b>152414</b>	\$45.50
Serial number	<b>25836</b>	\$17.00
Leaf weight cover	<b>11755</b>	\$45.50
Weight forceps, plastic	<b>50035</b>	\$45.50
Lifter bar	<b>11747</b>	\$22.25
Lifter bar, large handle	<b>11712</b>	\$77.00
Tong assembly, Class 0	<b>50000</b>	\$78.00
Lifter (Class 0 and OIML 2 kg and 5 kg)	<b>50037</b>	\$57.00

# Range: 10 kg

### Class 0

Statement of Accuracy not available.

Set Range	Part #	Price
10 kg - 1mg	<b>45905</b>	\$15,725.00
10 kg - 100 mg	<b>45906</b>	\$14,925.00
10 kg - 1g	<b>45907</b>	\$12,750.00
10 kg - 100 g	<b>45908</b>	\$12,650.00
10 kg - 1kg	<b>45909</b>	\$9,975.00

### Certificate

Accredited
Included
Included
Included
Included
Included

### Class 1

Set Range	Part #	Price
10 kg - 1mg	<b>12485</b>	\$8,925.00
10 kg - 100 mg	<b>45996</b>	\$8,800.00
10 kg - 1g	<b>12488</b>	\$8,350.00
10 kg - 1g*	<b>11885</b>	\$8,350.00
10 kg - 100 g	<b>46000</b>	\$8,275.00
10 kg - 1kg	<b>46004</b>	\$6,800.00

### Optional Certificate

Accredited	Non-accredited
\$1,500.00	\$900.00
\$1,325.00	\$820.00
\$1,180.00	\$690.00
\$1,180.00	\$690.00
\$870.00	\$440.00
\$530.00	\$280.00

### Class 2

Set Range	Part #	Price
10 kg - 1mg	<b>11934</b>	\$8,575.00
10 kg - 100 mg	<b>45997</b>	\$8,400.00
10 kg - 1g	<b>11937</b>	\$8,325.00
10 kg - 1g*	<b>12144</b>	\$8,275.00
10 kg - 100 g	<b>46001</b>	\$7,775.00
10 kg - 1kg	<b>46005</b>	\$6,975.00

### Optional Certificate

Accredited	Non-accredited
\$1,500.00	\$900.00
\$1,325.00	\$820.00
\$1,180.00	\$690.00
\$1,180.00	\$690.00
\$870.00	\$440.00
\$530.00	\$280.00

### Class 3

Set Range	Part #	Price
10 kg - 1mg	<b>12082</b>	\$8,500.00
10 kg - 100 mg	<b>45998</b>	\$8,300.00
10 kg - 1g	<b>12085</b>	\$8,175.00
10 kg - 1g*	<b>12283</b>	\$8,175.00
10 kg - 100 g	<b>46002</b>	\$7,675.00
10 kg - 1kg	<b>46006</b>	\$6,900.00

### Optional Certificate

Accredited	Non-accredited
\$1,500.00	\$900.00
\$1,325.00	\$820.00
\$1,180.00	\$690.00
\$1,180.00	\$690.00
\$870.00	\$440.00
\$530.00	\$280.00

### Class 4

Set Range	Part #	Price
10 kg - 1mg	<b>12228</b>	\$7,625.00
10 kg - 100 mg	<b>45999</b>	\$7,500.00
10 kg - 1g	<b>12231</b>	\$7,400.00
10 kg - 1g*	<b>12386</b>	\$7,400.00
10 kg - 100 g	<b>46003</b>	\$6,925.00
10 kg - 1kg	<b>46007</b>	\$6,175.00

### Optional Certificate

Accredited
\$830.00
\$640.00
\$535.00
\$535.00
\$350.00
\$250.00

\* 5-2-2-1 configuration



PN 12485 Set Includes Lifting Device, Glove and Case (10 kg to 1 mg)

## Replacement Cases

Main Cases		
Class 0		
Set Range	Part #	Price
10 kg - 1mg	<b>50442</b>	\$2,270.00
10 kg - 100 mg	<b>50442</b>	\$2,270.00
10 kg - 1g	<b>50442</b>	\$2,270.00
10 kg - 100 g	<b>50442</b>	\$2,270.00
10 kg - 1kg	<b>50441</b>	\$1,920.00

Main Case		
Class 1, 2, 3 and 4		
Set Range	Part #	Price
10 kg - 1mg	<b>11606</b>	\$2,240.00
10 kg - 100 mg	<b>11606</b>	\$2,240.00
10 kg - 1g	<b>11606</b>	\$2,240.00
10 kg - 1g	<b>11580</b>	\$2,240.00
10 kg - 100 g	<b>11606</b>	\$2,240.00
10 kg - 1kg	<b>11606</b>	\$2,240.00

Secondary Case		
Class 0		
Set Range	Part #	Price
100 g - 1mg*	<b>11588</b>	\$190.00
100 g - 1mg	<b>49503</b>	\$265.00
Insert, 100 g	<b>49489</b>	\$170.00

Secondary Case		
Class 1, 2, 3 and 4		
Set Range	Part #	Price
100 g - 1mg*	<b>11588</b>	\$190.00
100 g - 1mg	<b>11596</b>	\$190.00
Insert, 100 g	<b>46380</b>	\$130.00

CALIBRATION WEIGHTS  
ASTM PRECISION



# Range: 10 kg

## Weight Set Contents

5-2-2-1

10 kg - 1 mg	10 kg - 100 mg	10 kg - 1 g	10 kg - 1 g	10 kg - 100 g	10 kg - 1 kg
<b>45905</b> Class 0 <b>12485</b> Class 1 <b>11934</b> Class 2 <b>12082</b> Class 3 <b>12228</b> Class 4	<b>45906</b> Class 0 <b>45996</b> Class 1 <b>45997</b> Class 2 <b>45998</b> Class 3 <b>45999</b> Class 4	<b>45907</b> Class 0 <b>12488</b> Class 1 <b>11937</b> Class 2 <b>12085</b> Class 3 <b>12231</b> Class 4	<b>11885</b> Class 1 <b>12144</b> Class 2 <b>12283</b> Class 3 <b>12386</b> Class 4 -	<b>45908</b> Class 0 <b>46000</b> Class 1 <b>46001</b> Class 2 <b>46002</b> Class 3 <b>46003</b> Class 4	<b>45909</b> Class 0 <b>46004</b> Class 1 <b>46005</b> Class 2 <b>46006</b> Class 3 <b>46007</b> Class 4
(1) 10 kg (1) 5 kg (1) 3 kg (1) 2 kg (1) 1 kg (1) 500 g (1) 300 g (1) 200 g (1) 100 g (1) 50 g (1) 30 g (1) 20 g (1) 10 g (1) 5 g (1) 3 g (1) 2 g (1) 1 g (1) 500 mg (1) 300 mg (1) 200 mg (1) 100 mg (1) 50 mg (1) 30 mg (1) 20 mg (1) 10 mg (1) 5 mg (1) 3 mg (1) 2 mg (1) 1 mg	(1) 10 kg (1) 5 kg (1) 3 kg (1) 2 kg (1) 1 kg (1) 500 g (1) 300 g (1) 200 g (1) 100 g (1) 50 g (1) 30 g (1) 20 g (1) 10 g (1) 5 g (1) 3 g (1) 2 g (1) 1 g (1) 500 mg (1) 300 mg (1) 200 mg (1) 100 mg	(1) 10 kg (1) 5 kg (1) 3 kg (1) 2 kg (1) 1 kg (1) 500 g (1) 300 g (1) 200 g (1) 100 g (1) 50 g (1) 30 g (1) 20 g (1) 10 g (1) 5 g (1) 3 g (1) 2 g (1) 1 g	(1) 10 kg (1) 5 kg - (2) 2 kg (1) 1 kg (1) 500 g - (2) 200 g (1) 100 g (1) 50 g - (2) 20 g (1) 10 g (1) 5 g - (2) 2 g (1) 1 g	(1) 10 kg (1) 5 kg (1) 3 kg (1) 2 kg (1) 1 kg (1) 500 g (1) 300 g (1) 200 g (1) 100 g	(1) 10 kg (1) 5 kg (1) 3 kg (1) 2 kg (1) 1 kg
<b>29 pcs.</b> 22.222221 kg set wt.	<b>21 pcs.</b> 22.2221 kg set wt.	<b>17 pcs.</b> 22.221 kg set wt.	<b>17 pcs.</b> 21.11 kg set wt.	<b>9 pcs.</b> 22.1 kg set wt.	<b>5 pcs.</b> 21 kg set wt.

CALIBRATION WEIGHTS  
ASTM PRECISION

## Accessories

Description	Part #	Price
Statement of Accuracy	<b>36092</b>	\$47.50
Weight glove, white cotton	<b>11714</b>	\$7.25
Tweezer	<b>11711</b>	\$5.25
Premium tweezer	<b>152414</b>	\$45.50
Serial number	<b>25836</b>	\$17.00
Leaf weight cover	<b>11755</b>	\$45.50
Weight forceps, plastic	<b>50035</b>	\$45.50
Lifter bar	<b>11747</b>	\$22.25
Lifter bar, large handle	<b>11712</b>	\$77.00
Tong assembly, Class 0	<b>50000</b>	\$78.00
Lifter (Class 0 and OIML 2 kg and 5 kg)	<b>50037</b>	\$57.00

MASS REFERENCE STANDARDS / METRIC SETS

Range: 20 kg and 25 kg

**Class 0**

Statement of Accuracy not available.

Set Range	Part #	Price
20 kg - 1 mg	45900	\$19,975.00
20 kg - 100 mg	45901	\$19,150.00
20 kg - 1 g	45902	\$17,075.00
20 kg - 100 g	45903	\$16,850.00
20 kg - 1 kg	45904	\$14,625.00

**Certificate**

Accredited
Included
Included
Included
Included
Included

**Class 1**

Set Range	Part #	Price
25 kg - 1 g*	11883	\$16,750.00
20 kg - 1 mg	12489	\$12,300.00
20 kg - 100 mg	46008	\$12,200.00
20 kg - 1 g	12492	\$11,400.00
20 kg - 1 g*	11884	\$11,400.00
20 kg - 100 g	46012	\$10,775.00
20 kg - 1 kg	46016	\$10,575.00

**Optional Certificate**

Accredited	Non-accredited
\$1,395.00	\$815.00
\$1,680.00	\$1,025.00
\$1,445.00	\$885.00
\$1,285.00	\$760.00
\$1,285.00	\$760.00
\$975.00	\$500.00
\$645.00	\$340.00

**Class 2**

Set Range	Part #	Price
25 kg - 1 g*	12140	\$15,100.00
20 kg - 1 mg	11938	\$11,175.00
20 kg - 100 mg	46009	\$10,975.00
20 kg - 1 g	11941	\$10,875.00
20 kg - 1 g*	12142	\$10,875.00
20 kg - 100 g	46013	\$10,350.00
20 kg - 1 kg	46017	\$9,550.00

**Optional Certificate**

Accredited	Non-accredited
\$1,395.00	\$815.00
\$1,680.00	\$1,025.00
\$1,445.00	\$885.00
\$1,285.00	\$760.00
\$1,285.00	\$760.00
\$975.00	\$500.00
\$645.00	\$340.00

**Class 3**

Set Range	Part #	Price
25 kg - 1 g*	12279	\$14,525.00
20 kg - 1 mg	12086	\$11,075.00
20 kg - 100 mg	46010	\$10,875.00
20 kg - 1 g	12089	\$10,750.00
20 kg - 1 g*	12281	\$10,750.00
20 kg - 100 g	46014	\$10,225.00
20 kg - 1 kg	46018	\$9,225.00

**Optional Certificate**

Accredited	Non-accredited
\$1,395.00	\$815.00
\$1,680.00	\$1,025.00
\$1,445.00	\$885.00
\$1,285.00	\$760.00
\$1,285.00	\$760.00
\$975.00	\$500.00
\$645.00	\$340.00

**Class 4**

Set Range	Part #	Price
25 kg - 1 g*	12382	\$13,575.00
20 kg - 1 mg	12232	\$9,950.00
20 kg - 100 mg	46011	\$9,775.00
20 kg - 1 g	12235	\$9,700.00
20 kg - 1 g*	12384	\$9,700.00
20 kg - 100 g	46015	\$9,225.00
20 kg - 1 kg	46019	\$8,500.00

**Optional Certificate**

Accredited
\$590.00
\$900.00
\$680.00
\$610.00
\$610.00
\$395.00
\$270.00

\* 5-2-2-1 configuration



PN 11938 Set Includes Lifting Device, Glove and Case (20 kg to 1 mg)

CALIBRATION WEIGHTS  
ASTM PRECISION

Replacement Cases

Main Cases		
Class 0		
Set Range	Part #	Price
20 kg - 1 mg	50670	\$2,270.00
20 kg - 100 mg	50670	\$2,270.00
20 kg - 1 g	50670	\$2,270.00
20 kg - 100 g	50670	\$2,270.00
20 kg - 1 kg	50670	\$2,270.00

Main Case		
Class 1, 2, 3 and 4		
Set Range	Part #	Price
25 kg - 1 g*	11578	\$2,240.00
20 kg - 1 mg	11608	\$2,240.00
20 kg - 100 mg	11608	\$2,240.00
20 kg - 1 g	11608	\$2,240.00
20 kg - 1 g*	11579	\$2,190.00
20 kg - 100 g	11608	\$2,240.00
20 kg - 1 kg	11608	\$2,240.00

# Range: 20 kg and 25 kg

## Weight Set Contents

5-2-2-1			5-2-2-1			
25 kg - 1g	20 kg - 1mg	20 kg - 100 mg	20 kg - 1g	20 kg - 1g	20 kg - 100 g	20 - 1kg
– <b>11883</b> Class 1 <b>12140</b> Class 2 <b>12279</b> Class 3 <b>12382</b> Class 4	<b>45900</b> Class 0 <b>12489</b> Class 1 <b>11938</b> Class 2 <b>12086</b> Class 3 <b>12232</b> Class 4	<b>45901</b> Class 0 <b>46008</b> Class 1 <b>46009</b> Class 2 <b>46010</b> Class 3 <b>46011</b> Class 4	<b>45902</b> Class 0 <b>12492</b> Class 1 <b>11941</b> Class 2 <b>12089</b> Class 3 <b>12235</b> Class 4	– <b>11884</b> Class 1 <b>12142</b> Class 2 <b>12281</b> Class 3 <b>12384</b> Class 4	<b>45903</b> Class 0 <b>46012</b> Class 1 <b>46013</b> Class 2 <b>46014</b> Class 3 <b>46015</b> Class 4	<b>45904</b> Class 0 <b>46016</b> Class 1 <b>46017</b> Class 2 <b>46018</b> Class 3 <b>46019</b> Class 4
(1) 25 kg – (1) 10 kg (1) 5 kg – (2) 2 kg (1) 1kg (1) 500 g – (2) 200 g (1) 100 g (1) 50 g – (2) 20 g (1) 10 g (1) 5 g – (2) 2 g (1) 1g	– (1) 20 kg (1) 10 kg (1) 5 kg (1) 3 kg (1) 2 kg (1) 1kg (1) 500 g (1) 300 g (1) 200 g (1) 100 g (1) 50 g (1) 30 g (1) 20 g (1) 10 g (1) 5 g (1) 3 g (1) 2 g (1) 1g (1) 500 mg (1) 300 mg (1) 200 mg (1) 100 mg (1) 50 mg (1) 30 mg (1) 20 mg (1) 10 mg (1) 5 mg (1) 3 mg (1) 2 mg (1) 1mg	– (1) 20 kg (1) 10 kg (1) 5 kg (1) 3 kg (1) 2 kg (1) 1kg (1) 500 g (1) 300 g (1) 200 g (1) 100 g (1) 50 g (1) 30 g (1) 20 g (1) 10 g (1) 5 g (1) 3 g (1) 2 g (1) 1g (1) 500 mg (1) 300 mg (1) 200 mg (1) 100 mg	– (1) 20 kg (1) 10 kg (1) 5 kg (1) 3 kg (1) 2 kg (1) 1kg (1) 500 g (1) 300 g (1) 200 g (1) 100 g (1) 50 g (1) 30 g (1) 20 g (1) 10 g (1) 5 g (1) 3 g (1) 2 g (1) 1g	– (1) 20 kg (1) 10 kg (1) 5 kg – (2) 2 kg (1) 1kg (1) 500 g – (2) 200 g (1) 100 g (1) 50 g – (2) 20 g (1) 10 g (1) 5 g – (2) 2 g (1) 1g	– (1) 20 kg (1) 10 kg (1) 5 kg (1) 3 kg (1) 2 kg (1) 1kg (1) 500 g (1) 300 g (1) 200 g (1) 100 g	– (1) 20 kg (1) 10 kg (1) 5 kg (1) 3 kg (1) 2 kg (1) 1kg
18 pcs. 46.11kg set wt.	30 pcs. 42.222221kg set wt.	22 pcs. 42.22kg set wt.	18 pcs. 42.22 kg set wt.	18 pcs. 41.11kg set wt.	10 pcs. 42.1kg set wt.	6 pcs. 41kg set wt.

CALIBRATION WEIGHTS  
ASTM PRECISION

Secondary Case		
Class 0		
Set Range	Part #	Price
100 g - 1mg*	<b>11588</b>	\$190.00
100 g - 1mg	<b>49503</b>	\$265.00
Insert, 100 g	<b>49489</b>	\$170.00

Secondary Case		
Class 1, 2, 3 and 4		
Set Range	Part #	Price
100 g - 1mg*	<b>11588</b>	\$190.00
100 g - 1mg	<b>11596</b>	\$190.00
Insert, 100 g	<b>46380</b>	\$130.00

Accessories		
Description	Part #	Price
Statement of Accuracy	<b>36092</b>	\$47.50
Weight glove, white cotton	<b>11714</b>	\$7.25
Tweezer	<b>11711</b>	\$5.25
Premium tweezer	<b>152414</b>	\$45.50
Serial number	<b>25836</b>	\$17.00
Leaf weight cover	<b>11755</b>	\$45.50
Weight forceps, plastic	<b>50035</b>	\$45.50
Lifter bar	<b>11747</b>	\$22.25
Lifter bar, large handle	<b>11712</b>	\$77.00
Tong assembly, Class 0	<b>50000</b>	\$78.00
Lifter (Class 0 and OIML 2 kg and 5 kg)	<b>50037</b>	\$57.00

\* 5-2-2-1 configuration

# Range: 2 lb through 50 lb

CALIBRATION WEIGHTS  
ASTM PRECISION

**Class 1**

Set Range	Part #	Price
50 lb - 1/32 oz	<b>11999</b>	\$21,875.00
50 lb - 0.001lb	<b>119043</b>	\$21,875.00
20 lb - 1/32 oz	<b>11997</b>	\$10,475.00
20 lb - 0.001lb	<b>119047</b>	\$10,475.00
10 lb - 1/32 oz	<b>11995</b>	\$7,325.00
10 lb - 0.001lb	<b>119051</b>	\$7,325.00
5 lb - 1/32 oz	<b>11993</b>	\$5,600.00
5 lb - 0.001lb	<b>119055</b>	\$5,600.00
2 lb - 1/32 oz	<b>11991</b>	\$3,750.00
2 lb - 0.001lb	<b>119059</b>	\$3,750.00

**Optional Certificate**

Accredited	Non-accredited
\$1,260.00	\$800.00
\$1,260.00	\$800.00
\$950.00	\$670.00
\$950.00	\$670.00
\$830.00	\$600.00
\$830.00	\$600.00
\$725.00	\$530.00
\$725.00	\$530.00
\$545.00	\$415.00
\$545.00	\$415.00

**Class 2**

Set Range	Part #	Price
50 lb - 1/32 oz	<b>12145</b>	\$21,650.00
50 lb - 0.001lb	<b>119044</b>	\$21,650.00
20 lb - 1/32 oz	<b>12143</b>	\$10,475.00
20 lb - 0.001lb	<b>119048</b>	\$10,475.00
10 lb - 1/32 oz	<b>12141</b>	\$7,325.00
10 lb - 0.001lb	<b>119052</b>	\$7,125.00
5 lb - 1/32 oz	<b>12139</b>	\$5,400.00
5 lb - 0.001lb	<b>119056</b>	\$5,400.00
2 lb - 1/32 oz	<b>12137</b>	\$3,575.00
2 lb - 0.001lb	<b>119060</b>	\$3,575.00

**Optional Certificate**

Accredited	Non-accredited
\$1,260.00	\$800.00
\$1,260.00	\$800.00
\$950.00	\$670.00
\$950.00	\$670.00
\$830.00	\$600.00
\$830.00	\$600.00
\$725.00	\$530.00
\$725.00	\$530.00
\$545.00	\$415.00
\$545.00	\$415.00

**Class 3**

Set Range	Part #	Price
50 lb - 1/32 oz	<b>12284</b>	\$21,350.00
50 lb - 0.001lb	<b>119045</b>	\$21,350.00
20 lb - 1/32 oz	<b>12282</b>	\$10,250.00
20 lb - 0.001lb	<b>119049</b>	\$10,450.00
10 lb - 1/32 oz	<b>12280</b>	\$7,025.00
10 lb - 0.001lb	<b>119053</b>	\$7,025.00
5 lb - 1/32 oz	<b>12278</b>	\$5,350.00
5 lb - 0.001lb	<b>119057</b>	\$5,350.00
2 lb - 1/32 oz	<b>12276</b>	\$3,400.00
2 lb - 0.001lb	<b>119061</b>	\$3,400.00

**Optional Certificate**

Accredited	Non-accredited
\$1,260.00	\$800.00
\$1,260.00	\$800.00
\$950.00	\$670.00
\$950.00	\$670.00
\$830.00	\$600.00
\$830.00	\$600.00
\$725.00	\$530.00
\$725.00	\$530.00
\$545.00	\$415.00
\$545.00	\$415.00

**Class 4**

Set Range	Part #	Price
50 lb - 1/32 oz	<b>12387</b>	\$20,825.00
50 lb - 0.001lb	<b>119046</b>	\$20,825.00
20 lb - 1/32 oz	<b>12385</b>	\$9,625.00
20 lb - 0.001lb	<b>119050</b>	\$9,625.00
10 lb - 1/32 oz	<b>12383</b>	\$6,925.00
10 lb - 0.001lb	<b>119054</b>	\$6,925.00
5 lb - 1/32 oz	<b>12381</b>	\$4,825.00
5 lb - 0.001lb	<b>119058</b>	\$4,825.00
2 lb - 1/32 oz	<b>12379</b>	\$3,125.00
2 lb - 0.001lb	<b>119062</b>	\$3,125.00

**Optional Certificate**

Accredited
\$605.00
\$605.00
\$500.00
\$500.00
\$465.00
\$465.00
\$410.00
\$410.00
\$325.00
\$325.00



PN 11995 Set Includes Lifting Device, Glove and Case (10 lb to 1/32 oz)

# Range: 2 lb through 50 lb

## Weight Set Contents

50 lb - 1/32 oz	50 lb - 0.001lb	20 lb - 1/32 oz	20 lb - 0.001lb	10 lb - 1/32 oz	10 lb - 0.001lb	5 lb - 1/32 oz	5 lb - 0.001lb	2 lb - 1/32 oz	2 lb - 0.001lb
<b>11999</b> Class 1	<b>119043</b> Class 1	<b>11997</b> Class 1	<b>119047</b> Class 1	<b>11995</b> Class 1	<b>119051</b> Class 1	<b>11993</b> Class 1	<b>119055</b> Class 1	<b>11991</b> Class 1	<b>119059</b> Class 1
<b>12145</b> Class 2	<b>119044</b> Class 2	<b>12143</b> Class 2	<b>119048</b> Class 2	<b>12141</b> Class 2	<b>119052</b> Class 2	<b>12139</b> Class 2	<b>119056</b> Class 2	<b>12137</b> Class 2	<b>119060</b> Class 2
<b>12284</b> Class 3	<b>119045</b> Class 3	<b>12282</b> Class 3	<b>119049</b> Class 3	<b>12280</b> Class 3	<b>119053</b> Class 3	<b>12278</b> Class 3	<b>119057</b> Class 3	<b>12276</b> Class 3	<b>119061</b> Class 3
<b>12387</b> Class 4	<b>119046</b> Class 4	<b>12385</b> Class 4	<b>119050</b> Class 4	<b>12383</b> Class 4	<b>119054</b> Class 4	<b>12381</b> Class 4	<b>119058</b> Class 4	<b>12379</b> Class 4	<b>119062</b> Class 4
(1) 50 lb	(1) 50 lb	—	—	—	—	—	—	—	—
(1) 30 lb	(1) 30 lb	—	—	—	—	—	—	—	—
(1) 20 lb	(1) 20 lb	(1) 20 lb	(1) 20 lb	—	—	—	—	—	—
(1) 10 lb	(1) 10 lb	(1) 10 lb	(1) 10 lb	(1) 10 lb	(1) 10 lb	—	—	—	—
(1) 5 lb	(1) 5 lb	(1) 5 lb	(1) 5 lb	(1) 5 lb	(1) 5 lb	(1) 5 lb	(1) 5 lb	—	—
(1) 3 lb	(1) 3 lb	(1) 3 lb	(1) 3 lb	(1) 3 lb	(1) 3 lb	(1) 3 lb	(1) 3 lb	—	—
(1) 2 lb	(1) 2 lb	(1) 2 lb	(1) 2 lb	(1) 2 lb	(1) 2 lb	(1) 2 lb	(1) 2 lb	(1) 2 lb	(1) 2 lb
(1) 1 lb	(1) 1 lb	(1) 1 lb	(1) 1 lb	(1) 1 lb	(1) 1 lb	(1) 1 lb	(1) 1 lb	(1) 1 lb	(1) 1 lb
(1) 8 oz	(1) 0.5 lb	(1) 8 oz	(1) 0.5 lb	(1) 8 oz	(1) 0.5 lb	(1) 8 oz	(1) 0.5 lb	(1) 8 oz	(1) 0.5 lb
(1) 4 oz	(1) 0.3 lb	(1) 4 oz	(1) 0.3 lb	(1) 4 oz	(1) 0.3 lb	(1) 4 oz	(1) 0.3 lb	(1) 4 oz	(1) 0.3 lb
(1) 2 oz	(1) 0.2 lb	(1) 2 oz	(1) 0.2 lb	(1) 2 oz	(1) 0.2 lb	(1) 2 oz	(1) 0.2 lb	(1) 2 oz	(1) 0.2 lb
(1) 1 oz	(1) 0.1 lb	(1) 1 oz	(1) 0.1 lb	(1) 1 oz	(1) 0.1 lb	(1) 1 oz	(1) 0.1 lb	(1) 1 oz	(1) 0.1 lb
(1) 1/2 oz	(1) 0.05 lb	(1) 1/2 oz	(1) 0.05 lb	(1) 1/2 oz	(1) 0.05 lb	(1) 1/2 oz	(1) 0.05 lb	(1) 1/2 oz	(1) 0.05 lb
(1) 1/4 oz	(1) 0.03 lb	(1) 1/4 oz	(1) 0.03 lb	(1) 1/4 oz	(1) 0.03 lb	(1) 1/4 oz	(1) 0.03 lb	(1) 1/4 oz	(1) 0.03 lb
(1) 1/8 oz	(1) 0.02 lb	(1) 1/8 oz	(1) 0.02 lb	(1) 1/8 oz	(1) 0.02 lb	(1) 1/8 oz	(1) 0.02 lb	(1) 1/8 oz	(1) 0.02 lb
(1) 1/16 oz	(1) 0.01 lb	(1) 1/16 oz	(1) 0.01 lb	(1) 1/16 oz	(1) 0.01 lb	(1) 1/16 oz	(1) 0.01 lb	(1) 1/16 oz	(1) 0.01 lb
(2) 1/32 oz	(1) 0.005 lb	(2) 1/32 oz	(1) 0.005 lb	(2) 1/32 oz	(1) 0.005 lb	(2) 1/32 oz	(1) 0.005 lb	(2) 1/32 oz	(1) 0.005 lb
	(1) 0.003 lb		(1) 0.003 lb		(1) 0.003 lb		(1) 0.003 lb		(1) 0.003 lb
	(1) 0.002 lb		(1) 0.002 lb		(1) 0.002 lb		(1) 0.002 lb		(1) 0.002 lb
	(1) 0.001 lb		(1) 0.001 lb		(1) 0.001 lb		(1) 0.001 lb		(1) 0.001 lb
<b>18 pcs.</b> 122 lb set wt.	<b>20 pcs.</b> 122 lb set wt.	<b>16 pcs.</b> 42 lb set wt.	<b>18 pcs.</b> 42 lb set wt.	<b>15 pcs.</b> 22 lb set wt.	<b>17 pcs.</b> 22 lb set wt.	<b>14 pcs.</b> 12 lb set wt.	<b>16 pcs.</b> 12 lb set wt.	<b>12 pcs.</b> 4 lb set wt.	<b>14 pcs.</b> 4 lb set wt.

CALIBRATION WEIGHTS  
ASTM PRECISION

## Replacement Cases

Main Cases		
Class 1, 2, 3 and 4		
Set Range	Part #	Price
50 lb - 1/32 oz	<b>11589</b>	\$2,240.00
50 lb - 0.001lb	<b>11589</b>	\$2,240.00
20 lb - 1/32 oz	<b>11590</b>	\$2,400.00
20 lb - 0.001lb	<b>11590</b>	\$2,400.00
10 lb - 1/32 oz	<b>11591</b>	\$1,920.00
10 lb - 0.001lb	<b>11591</b>	\$1,920.00
5 lb - 1/32 oz	<b>11592</b>	\$1,490.00
5 lb - 0.001lb	<b>11592</b>	\$1,490.00
2 lb - 1/32 oz	<b>11593</b>	\$1,940.00
2 lb - 0.001lb	<b>11593</b>	\$1,940.00

Secondary Case		
Class 1, 2, 3 and 4		
Set Range	Part #	Price
4 oz - 1/32 oz	<b>11610</b>	\$330.00
0.3 lb to 0.001 lb	<b>118813</b>	\$310.00

## Accessories

Description	Part #	Price
Statement of Accuracy	<b>36092</b>	\$47.50
Weight glove, white cotton	<b>11714</b>	\$7.25
Tweezer	<b>11711</b>	\$5.25
Premium tweezer	<b>152414</b>	\$45.50
Serial number	<b>25836</b>	\$17.00
Leaf weight cover	<b>11755</b>	\$45.50
Weight forceps, plastic	<b>50035</b>	\$45.50
Lifter bar	<b>11747</b>	\$22.25
Lifter bar, large handle	<b>11712</b>	\$77.00
Tong assembly, Class 0	<b>50000</b>	\$78.00
Lifter (Class 0 and OIML 2 kg and 5 kg)	<b>50037</b>	\$57.00

**MASS REFERENCE STANDARDS / METRIC SINGLE WEIGHT WITH CASE (KITS)**

**Range: 20 kg – 1g**

**CALIBRATION WEIGHTS  
OIML PRECISION**

**Class E1** Polished Finish  
*Statement of Accuracy not available.*

Weight	Part #	Price	Certificate Accredited
10 kg	<b>36872</b>	\$3,825.00	Included
5 kg	<b>29785</b>	\$2,525.00	Included
2 kg	<b>29784</b>	\$1,810.00	Included
1 kg	<b>29783</b>	\$1,220.00	Included
500 g	<b>29782</b>	\$905.00	Included
200 g	<b>29781</b>	\$780.00	Included
100 g	<b>29780</b>	\$725.00	Included
50 g	<b>29779</b>	\$650.00	Included
20 g	<b>29778</b>	\$645.00	Included
10 g	<b>29777</b>	\$640.00	Included
5 g	<b>29776</b>	\$575.00	Included
2 g	<b>29745</b>	\$575.00	Included
1 g	<b>29744</b>	\$550.00	Included

**Class E2** Polished Finish  
*Statement of Accuracy not available.*

Weight	Part #	Price	Certificate Accredited
20 kg	<b>53850</b>	\$3,425.00	Included
10 kg	<b>36871</b>	\$2,825.00	Included
5 kg	<b>29775</b>	\$1,580.00	Included
2 kg	<b>29774</b>	\$995.00	Included
1 kg	<b>29773</b>	\$745.00	Included
500 g	<b>29772</b>	\$515.00	Included
200 g	<b>29771</b>	\$410.00	Included
100 g	<b>29770</b>	\$200.00	Included
50 g	<b>29769</b>	\$195.00	Included
20 g	<b>29768</b>	\$195.00	Included
10 g	<b>29767</b>	\$185.00	Included
5 g	<b>29766</b>	\$160.00	Included
2 g	<b>29743</b>	\$160.00	Included
1 g	<b>29742</b>	\$160.00	Included

**Class F1** Polished Finish

Weight	Part #	Price	Optional Certificate	
			Accredited	Non-accredited
20 kg	<b>53654</b>	\$2,525.00	\$145.00	\$80.00
10 kg	<b>36870</b>	\$2,040.00	\$145.00	\$80.00
5 kg	<b>29765</b>	\$1,230.00	\$145.00	\$80.00
2 kg	<b>29764</b>	\$720.00	\$145.00	\$80.00
1 kg	<b>29763</b>	\$510.00	\$125.00	\$60.00
500 g	<b>29762</b>	\$295.00	\$125.00	\$60.00
200 g	<b>29761</b>	\$235.00	\$125.00	\$60.00
100 g	<b>29760</b>	\$165.00	\$55.00	\$45.00
50 g	<b>29759</b>	\$145.00	\$55.00	\$45.00
20 g	<b>29758</b>	\$145.00	\$55.00	\$45.00
10 g	<b>29757</b>	\$145.00	\$55.00	\$45.00
5 g	<b>29756</b>	\$145.00	\$55.00	\$45.00
2 g	<b>29741</b>	\$145.00	\$55.00	\$45.00
1 g	<b>29740</b>	\$145.00	\$55.00	\$45.00

**Class F2** Polished Finish

Weight	Part #	Price	Optional Certificate	
			Accredited	Non-accredited
20 kg	<b>53655</b>	\$2,410.00	\$145.00	\$80.00
10 kg	<b>36869</b>	\$1,580.00	\$145.00	\$80.00
5 kg	<b>29755</b>	\$860.00	\$145.00	\$80.00
2 kg	<b>29754</b>	\$680.00	\$145.00	\$80.00
1 kg	<b>29753</b>	\$440.00	\$125.00	\$60.00
500 g	<b>29752</b>	\$295.00	\$125.00	\$60.00
200 g	<b>29751</b>	\$230.00	\$125.00	\$60.00
100 g	<b>29750</b>	\$140.00	\$55.00	\$45.00
50 g	<b>29749</b>	\$140.00	\$55.00	\$45.00
20 g	<b>29748</b>	\$140.00	\$55.00	\$45.00
10 g	<b>29747</b>	\$98.00	\$55.00	\$45.00
5 g	<b>29746</b>	\$140.00	\$55.00	\$45.00
2 g	<b>29739</b>	\$140.00	\$55.00	\$45.00
1 g	<b>29738</b>	\$140.00	\$55.00	\$45.00



PN 29780 Kits Include Glove with Cased Weight

**Accessories**

Description	Part #	Price
Statement of Accuracy	<b>36092</b>	\$47.50
Weight glove, white cotton	<b>11714</b>	\$7.25
Premium tweezer	<b>152414</b>	\$45.50



**MASS REFERENCE STANDARDS / METRIC SINGLE WEIGHT WITH CASE (KITS)**

**Range: 500 mg – 1 mg**

**Class E1** Polished Finish  
*Statement of Accuracy not available.*

Weight	Part #	Price	Certificate Accredited
500 mg	<b>29737</b>	\$310.00	Included
200 mg	<b>29736</b>	\$310.00	Included
100 mg	<b>29735</b>	\$310.00	Included
50 mg	<b>29734</b>	\$310.00	Included
20 mg	<b>29733</b>	\$310.00	Included
10 mg	<b>29732</b>	\$310.00	Included
5 mg	<b>29713</b>	\$310.00	Included
2 mg	<b>29712</b>	\$310.00	Included
1 mg	<b>29711</b>	\$310.00	Included

**Class E2** Polished Finish  
*Statement of Accuracy not available.*

Weight	Part #	Price	Certificate Accredited
500 mg	<b>29731</b>	\$160.00	Included
200 mg	<b>29730</b>	\$160.00	Included
100 mg	<b>29729</b>	\$160.00	Included
50 mg	<b>29728</b>	\$160.00	Included
20 mg	<b>29727</b>	\$160.00	Included
10 mg	<b>29726</b>	\$160.00	Included
5 mg	<b>29710</b>	\$160.00	Included
2 mg	<b>29709</b>	\$160.00	Included
1 mg	<b>29708</b>	\$160.00	Included

**Class F1** Polished Finish

Weight	Part #	Price	Optional Certificate	
			Accredited	Non-Accredited
500 mg	<b>29725</b>	\$57.00	\$55.00	\$45.00
200 mg	<b>29724</b>	\$57.00	\$55.00	\$45.00
100 mg	<b>29723</b>	\$57.00	\$55.00	\$45.00
50 mg	<b>29722</b>	\$57.00	\$55.00	\$45.00
20 mg	<b>29721</b>	\$57.00	\$55.00	\$45.00
10 mg	<b>29720</b>	\$57.00	\$55.00	\$45.00
5 mg	<b>29707</b>	\$57.00	\$55.00	\$45.00
2 mg	<b>29706</b>	\$57.00	\$55.00	\$45.00
1 mg	<b>29705</b>	\$57.00	\$55.00	\$45.00

**Class F2** Polished Finish

Weight	Part #	Price	Optional Certificate	
			Accredited	Accredited
500 mg	<b>29719</b>	\$51.00	\$55.00	\$45.00
200 mg	<b>29718</b>	\$51.00	\$55.00	\$45.00
100 mg	<b>29717</b>	\$51.00	\$55.00	\$45.00
50 mg	<b>29716</b>	\$51.00	\$55.00	\$45.00
20 mg	<b>29715</b>	\$51.00	\$55.00	\$45.00
10 mg	<b>29714</b>	\$51.00	\$55.00	\$45.00
5 mg	<b>29704</b>	\$51.00	\$55.00	\$45.00
2 mg	<b>29703</b>	\$51.00	\$55.00	\$45.00
1 mg	<b>29702</b>	\$51.00	\$55.00	\$45.00

**CALIBRATION WEIGHTS  
OIML PRECISION**



**Accessories**

Description	Part #	Price
Statement of Accuracy	<b>36092</b>	\$47.50
Weight glove, white cotton	<b>11714</b>	\$7.25
Premium tweezer	<b>152414</b>	\$45.50
Vial for mg weights	<b>50038</b>	\$5.25

MASS REFERENCE STANDARDS / METRIC SINGLE WEIGHTS

Range: 20 kg – 1 mg

**Class M1** Satin Finish  
(case included)

Weight	Part #	Price	Optional Certificate Accredited
20 kg	156292	\$1,530.00	\$75.00
10 kg	156291	\$1,310.00	\$75.00
5 kg	116207	\$595.00	\$75.00
2 kg	116206	\$340.00	\$75.00
1 kg	116205	\$240.00	\$55.00
500 g	116204	\$140.00	\$55.00
200 g	116203	\$125.00	\$55.00
100 g	111927	\$92.00	\$40.00
50 g	111928	\$87.00	\$40.00
20 g	111929	\$83.00	\$40.00
10 g	111930	\$83.00	\$40.00
5 g	111931	\$77.00	\$40.00
2 g	111932	\$77.00	\$40.00
1 g	111933	\$77.00	\$40.00
500 mg	202833	\$25.50	\$40.00
200 mg	202835	\$25.50	\$40.00
100 mg	202836	\$25.50	\$40.00
50 mg	202837	\$25.50	\$40.00
20 mg	202838	\$25.50	\$40.00
10 mg	202839	\$25.50	\$40.00
5 mg	202840	\$25.50	\$40.00
2 mg	202841	\$25.50	\$40.00
1 mg	202842	\$25.50	\$40.00

**Class M2** Satin Finish  
M2 is sold as a single weight, accessory cases are available.

Weight	Part #	Price	Optional Certificate Accredited
5 kg	115926	\$255.00	\$75.00
2 kg	115925	\$160.00	\$75.00
1 kg	115924	\$86.00	\$55.00
500 g	115923	\$79.00	\$55.00
200 g	115922	\$62.00	\$55.00
100 g	111934	\$54.00	\$40.00
50 g	111935	\$49.00	\$40.00
20 g	111936	\$43.50	\$40.00
10 g	111937	\$43.50	\$40.00
5 g	111938	\$39.50	\$40.00
2 g	111939	\$39.50	\$40.00
1 g	111940	\$39.50	\$40.00

CALIBRATION WEIGHTS  
OIML PRECISION



PN 152414 Premium Tweezer

Replacement Cases

Main Cases		
Class M1		
Nominal Value	Part #	Price
20 kg	156290	\$590.00
10 kg	156289	\$590.00
5 kg	Consult	Consult
2 kg	190266	\$40.50
1 kg	190262	\$40.50
500 g	189711	\$40.50
200 g	196466	\$39.50
100 g	189566	\$44.50
50 g	189487	\$44.50
20 g	189477	\$44.50
10 g	189351	\$44.50
5 g	189240	\$44.50
2 g	189236	\$44.50
1 g	188285	\$44.50
500 mg	50038	\$5.25
200 mg	50038	\$5.25
100 mg	50038	\$5.25
50 mg	50038	\$5.25
20 mg	50038	\$5.25
10 mg	50038	\$5.25
5 mg	50038	\$5.25
2 mg	50038	\$5.25
1 mg	50038	\$5.25

Replacement Cases

Main Cases		
Class M2		
Nominal Value	Part #	Price
5 kg	Consult	Consult
2 kg	190266	\$40.50
1 kg	190262	\$40.50
500 g	189711	\$40.50
200 g	196466	\$39.50
100 g	189566	\$44.50
50 g	189487	\$44.50
20 g	189477	\$44.50
10 g	189351	\$44.50
5 g	189240	\$44.50
2 g	189236	\$44.50
1 g	188285	\$44.50

Accessories

Description	Part #	Price
Statement of Accuracy	36092	\$47.50
Weight glove, white cotton	11714	\$7.25
Premium tweezer	152414	\$45.50

# Range: 500 mg – 50 g

**Class E1** Polished Finish  
*Statement of Accuracy not available.*

Set Range	Part #	Price
500 mg - 1 mg	<b>30850</b>	\$2,280.00
500 mg - 100 mg	<b>30854</b>	\$1,160.00

**Certificate**

Accredited
Included
Included

**Class E2** Polished Finish  
*Statement of Accuracy not available.*

Set Range	Part #	Price
500 mg - 1 mg	<b>30851</b>	\$1,560.00
500 mg - 100 mg	<b>30855</b>	\$990.00
50 g - 1 mg	<b>96477</b>	\$2,330.00
50 g - 1 g	<b>96478</b>	\$1,280.00

**Certificate**

Accredited
Included
Included
Included
Included

**Class F1** Polished Finish

Set Range	Part #	Price
500 mg - 1 mg	<b>30852</b>	\$650.00
500 mg - 100 mg	<b>30856</b>	\$475.00
50 g - 1 mg	<b>96479</b>	\$1,260.00
50 g - 1 g	<b>96480</b>	\$770.00

**Optional Certificate**

Accredited	Non-accredited
\$470.00	\$375.00
\$155.00	\$125.00
\$790.00	\$630.00
\$310.00	\$250.00

**Class F2** Polished Finish

Set Range	Part #	Price
500 mg - 1 mg	<b>30853</b>	\$645.00
500 mg - 100 mg	<b>30857</b>	\$365.00
50 g - 1 mg	<b>96481</b>	\$1,030.00
50 g - 1 g	<b>96482</b>	\$755.00

**Optional Certificate**

Accredited	Non-accredited
\$470.00	\$375.00
\$155.00	\$125.00
\$790.00	\$630.00
\$310.00	\$250.00

**Class M1** Satin Finish

Set Range	Part #	Price
500 mg - 1 mg	<b>161537</b>	\$475.00

**Optional Certificate**

Accredited
\$280.00

## Weight Set Contents

500 mg - 1 mg	500 mg - 100 mg	50 g - 1 mg	50 g - 1 g
<b>30850</b> Class E1	<b>30854</b> Class E1	–	–
<b>30851</b> Class E2	<b>30855</b> Class E2	<b>96477</b> Class E2	<b>96478</b> Class E2
<b>30852</b> Class F1	<b>30856</b> Class F1	<b>96479</b> Class F1	<b>96480</b> Class F1
<b>30853</b> Class F2	<b>30857</b> Class F2	<b>96481</b> Class F2	<b>96482</b> Class F2
<b>161537</b> Class M1	–	–	–
–	–	(1) 50 g	(1) 50 g
–	–	(2) 20 g	(2) 20 g
–	–	(1) 10 g	(1) 10 g
–	–	(1) 5 g	(1) 5 g
–	–	(2) 2 g	(2) 2 g
–	–	(1) 1 g	(1) 1 g
(1) 500 mg	(1) 500 mg	(1) 500 mg	
(2) 200 mg	(2) 200 mg	(2) 200 mg	
(1) 100 mg	(1) 100 mg	(1) 100 mg	
(1) 50 mg		(1) 50 mg	
(2) 20 mg		(2) 20 mg	
(1) 10 mg		(1) 10 mg	
(1) 5 mg		(1) 5 mg	
(2) 2 mg		(2) 2 mg	
(1) 1 mg		(1) 1 mg	
<b>12 pcs.</b> 1.11g set wt.	<b>4 pcs.</b> 1g set wt.	<b>20 pcs.</b> 111.11g set wt.	<b>8 pcs.</b> 108g set wt.

**CALIBRATION WEIGHTS  
OIML PRECISION**

## Replacement Cases

Main Case		
Class E1, E2, F1 and F2		
Set Range	Part #	Price
500 mg - 1 mg	<b>34699</b>	\$135.00
500 mg - 100 mg	<b>34699</b>	\$135.00
50 g - 1 mg	<b>34697</b>	\$240.00
50 g - 1 g	<b>34697</b>	\$240.00

## Accessories

Description	Part #	Price
Statement of Accuracy	<b>36092</b>	\$47.50
Weight glove, white cotton	<b>11714</b>	\$7.25
Tweezer	<b>11711</b>	\$5.25
Premium tweezer	<b>152414</b>	\$45.50
Serial number	<b>25836</b>	\$17.00
Leaf weight cover	<b>11755</b>	\$45.50
Weight forceps, plastic	<b>50035</b>	\$45.50
Tong assembly, Class 0	<b>50000</b>	\$78.00
Lifter (Class 0 and OIML 2 kg and 5 kg)	<b>50037</b>	\$57.00



*Set Includes Lifting Device, Glove and Case*

# Range: 100 g

CALIBRATION WEIGHTS  
OIML PRECISION

**Class E1** Polished Finish  
*Statement of Accuracy not available.*

Set Range	Part #	Price	Certificate	
			Accredited	
100 g - 1mg	<b>30838</b>	\$5,600.00	Included	
100 g - 100 mg	<b>30842</b>	\$4,400.00	Included	
100 g - 1g	<b>30846</b>	\$3,625.00	Included	

**Class E2** Polished Finish  
*Statement of Accuracy not available.*

Set Range	Part #	Price	Certificate	
			Accredited	
100 g - 1mg	<b>30839</b>	\$2,575.00	Included	
100 g - 100 mg	<b>30843</b>	\$1,840.00	Included	
100 g - 1g	<b>30847</b>	\$1,370.00	Included	

**Class F1** Polished Finish

Set Range	Part #	Price	Optional Certificate	
			Accredited	Non-accredited
100 g - 1mg	<b>30840</b>	\$1,340.00	\$830.00	\$590.00
100 g - 100 mg	<b>30844</b>	\$1,130.00	\$510.00	\$405.00
100 g - 1g	<b>30848</b>	\$880.00	\$355.00	\$280.00

**Class F2** Polished Finish

Set Range	Part #	Price	Optional Certificate	
			Accredited	Non-accredited
100 g - 1mg	<b>30841</b>	\$1,050.00	\$830.00	\$590.00
100 g - 100 mg	<b>30845</b>	\$1,040.00	\$510.00	\$405.00
100 g - 1g	<b>30849</b>	\$840.00	\$355.00	\$280.00

**Class M1** Satin Finish

Set Range	Part #	Price	Optional Certificate	
			Accredited	
100 g - 1mg	<b>119561</b>	\$1,000.00	\$505.00	
100 g - 1g	<b>119560</b>	\$695.00	\$215.00	

## Replacement Cases

Main Cases		
Class E1, E2, F1 and F2		
Set Range	Part #	Price
100 g - 1mg	<b>34697</b>	\$240.00
100 g - 100 mg	<b>34697</b>	\$240.00
100 g - 1g	<b>34697</b>	\$240.00

Main Cases		
Class M1		
Set Range	Part #	Price
100 g - 1mg	<b>34697</b>	\$240.00
100 g - 1g	<b>34697</b>	\$240.00

## Accessories

Description	Part #	Price
Statement of Accuracy	<b>36092</b>	\$47.50
Weight glove, white cotton	<b>11714</b>	\$7.25
Tweezer	<b>11711</b>	\$5.25
Premium tweezer	<b>152414</b>	\$45.50
Serial number	<b>25836</b>	\$17.00
Leaf weight cover	<b>11755</b>	\$45.50
Weight forceps, plastic	<b>50035</b>	\$45.50

# Range: 100 g

## Weight Set Contents

100 g - 1 mg	100 g - 100 mg	100 g - 1 g
<b>30838</b> Class E1	<b>30842</b> Class E1	<b>30846</b> Class E1
<b>30839</b> Class E2	<b>30843</b> Class E2	<b>30847</b> Class E2
<b>30840</b> Class F1	<b>30844</b> Class F1	<b>30848</b> Class F1
<b>30841</b> Class F2	<b>30845</b> Class F2	<b>30849</b> Class F2
<b>119561</b> Class M1	–	<b>119560</b> Class M1
(1) 100 g	(1) 100 g	(1) 100 g
(1) 50 g	(1) 50 g	(1) 50 g
(2) 20 g	(2) 20 g	(2) 20 g
(1) 10 g	(1) 10 g	(1) 10 g
(1) 5 g	(1) 5 g	(1) 5 g
(2) 2 g	(2) 2 g	(2) 2 g
(1) 1 g	(1) 1 g	(1) 1 g
(1) 500 mg	(1) 500 mg	
(2) 200 mg	(2) 200 mg	
(1) 100 mg	(1) 100 mg	
(1) 50 mg		
(2) 20 mg		
(1) 10 mg		
(1) 5 mg		
(2) 2 mg		
(1) 1 mg		
<b>21 pcs.</b> 211.11g set wt.	<b>13 pcs.</b> 211g set wt.	<b>9 pcs.</b> 210g set wt.

CALIBRATION WEIGHTS  
OIML PRECISION



PN 30838 Set Includes Lifting Device, Glove and Case (100 g to 1 mg)

MASS REFERENCE STANDARDS / METRIC SETS

Range: 200 g

CALIBRATION WEIGHTS  
OIML PRECISION

**Class E1** Polished Finish  
*Statement of Accuracy not available.*

Set Range	Part #	Price
(2) 200 g - 1mg	<b>40546</b>	\$6,000.00
200 g - 100 mg	<b>40547</b>	\$5,100.00
200 g - 1g	<b>40548</b>	\$4,375.00
200 g - 100 g	<b>40549</b>	\$2,575.00

**Certificate**

Accredited
Included
Included
Included
Included

**Class E2** Polished Finish  
*Statement of Accuracy not available.*

Set Range	Part #	Price
200 g - 1mg	<b>40550</b>	\$2,925.00
(2) 200 g - 1mg	<b>96468</b>	\$3,275.00
200 g - 100 mg	<b>40551</b>	\$2,290.00
200 g - 1g	<b>40552</b>	\$1,810.00
(2) 200 g - 1g	<b>96469</b>	\$2,180.00
(2) 200 g - 100 g	<b>40553</b>	\$1,450.00

**Certificate**

Accredited
Included
Included
Included
Included
Included
Included

**Class F1** Polished Finish

**Optional Certificate**

Set Range	Part #	Price
200 g - 1mg	<b>40554</b>	\$1,880.00
(2) 200 g - 1mg	<b>96470</b>	\$1,930.00
200 g - 100 mg	<b>40555</b>	\$1,440.00
(2) 200 g - 1g	<b>96471</b>	\$1,300.00
200 g - 1g	<b>40556</b>	\$1,200.00
(2) 200 g - 100 g	<b>40557</b>	\$820.00

Accredited	Non-accredited
\$930.00	\$660.00
\$1,020.00	\$675.00
\$610.00	\$450.00
\$450.00	\$325.00
\$540.00	\$370.00
\$300.00	\$155.00

**Class F2** Polished Finish

**Optional Certificate**

Set Range	Part #	Price
200 g - 1mg	<b>40558</b>	\$1,850.00
(2) 200 g - 1mg	<b>96472</b>	\$1,880.00
200 g - 100 mg	<b>40559</b>	\$1,300.00
(2) 200 g - 1g	<b>96473</b>	\$1,230.00
200 g - 1g	<b>40560</b>	\$1,180.00
(2) 200 g - 100 g	<b>40561</b>	\$815.00

Accredited	Non-accredited
\$930.00	\$660.00
\$1,020.00	\$675.00
\$610.00	\$450.00
\$450.00	\$325.00
\$540.00	\$370.00
\$300.00	\$155.00

**Class M1** Satin Finish

**Optional Certificate**

Set Range	Part #	Price
200 g - 1mg	<b>195668</b>	Consult
200 g - 1g	<b>195669</b>	Consult

Accredited	Non-accredited
Consult	Consult
Consult	Consult

Replacement Cases

Main Cases		
Class E1		
Set Range	Part #	Price
(2) 200 g - 1mg	<b>34645</b>	\$350.00
200 g - 100 mg	<b>34645</b>	\$350.00
200 g - 1g	<b>34645</b>	\$350.00
200 g - 100 g	<b>34645</b>	\$350.00

Main Cases		
Class E2, F1 and F2		
Set Range	Part #	Price
200 g - 1mg	<b>34645</b>	\$350.00
(2) 200 g - 1mg	<b>34645</b>	\$350.00
200 g - 100 mg	<b>34645</b>	\$350.00
(2) 200 g - 1g	<b>34645</b>	\$350.00
200 g - 1g	<b>34645</b>	\$350.00
(2) 200 g - 100 g	<b>34645</b>	\$350.00

Main Cases		
Class M1		
Set Range	Part #	Price
200 g - 1mg	<b>Consult</b>	Consult
200 g - 1g	<b>Consult</b>	Consult

Inserts		
Class E1, E2, F1 and F2		
Set Range	Part #	Price
200 g - 1mg	<b>30607</b>	\$220.00
(2) 200 g - 1mg	<b>84473</b>	\$420.00
(2) 200 g - 1g	<b>84472</b>	\$420.00
(2) 200 g - 100 g	<b>30608</b>	\$415.00



# Range: 200 g

## Weight Set Contents

200 g - 1mg	(2) 200 g - 1mg	200 g - 100 mg	200 g - 1g	(2) 200 g - 1g	(2) 200 g - 100 g
<b>40550</b> Class E1 <b>40554</b> Class E2 <b>40558</b> Class F1 <b>195668</b> Class F2 -	<b>40546</b> Class E1 <b>96468</b> Class E2 <b>96470</b> Class F1 <b>96472</b> Class F2 -	<b>40547</b> Class E1 <b>40551</b> Class E2 <b>40555</b> Class F1 <b>40559</b> Class F2 -	<b>40548</b> Class E1 <b>40552</b> Class E2 <b>40556</b> Class F1 <b>40560</b> Class F2 <b>195669</b> Class M1	- <b>96469</b> Class E2 <b>96471</b> Class F1 <b>96473</b> Class F2 -	<b>40549</b> Class E1 <b>40553</b> Class E2 <b>40557</b> Class F1 <b>40561</b> Class F2 -
(1) 200 g (1) 100 g (1) 50 g (2) 20 g (1) 10 g (1) 5 g (2) 2 g (1) 1 g (1) 500 mg (2) 200 mg (1) 100 mg (1) 50 mg (2) 20 mg (1) 10 mg (1) 5 mg (2) 2 mg (1) 1 mg	(2) 200 g (1) 100 g (1) 50 g (2) 20 g (1) 10 g (1) 5 g (2) 2 g (1) 1 g (1) 500 mg (2) 200 mg (1) 100 mg (1) 50 mg (2) 20 mg (1) 10 mg (1) 5 mg (2) 2 mg (1) 1 mg	(1) 200 g (1) 100 g (1) 50 g (2) 20 g (1) 10 g (1) 5 g (2) 2 g (1) 1 g (1) 500 mg (2) 200 mg (1) 100 mg	(1) 200 g (1) 100 g (1) 50 g (2) 20 g (1) 10 g (1) 5 g (2) 2 g (1) 1 g	(2) 200 g (1) 100 g (1) 50 g (2) 20 g (1) 10 g (1) 5 g (2) 2 g (1) 1 g	(2) 200 g (1) 100 g
22 pcs. 411.11g set wt.	23 pcs. 611.11g set wt.	14 pcs. 611g set wt.	10 pcs. 410g set wt.	11 pcs. 610g set wt.	3 pcs. 500g set wt.

CALIBRATION WEIGHTS  
OIML PRECISION



Set Includes Lifting Device, Glove and Case

## Accessories

Description	Part #	Price
Statement of Accuracy	<b>36092</b>	\$47.50
Weight glove, white cotton	<b>11714</b>	\$7.25
Tweezer	<b>11711</b>	\$5.25
Premium tweezer	<b>152414</b>	\$45.50
Serial number	<b>25836</b>	\$17.00
Leaf weight cover	<b>11755</b>	\$45.50
Weight forceps, plastic	<b>50035</b>	\$45.50

MASS REFERENCE STANDARDS / METRIC SETS

Range: 500 g

CALIBRATION WEIGHTS  
OIML PRECISION

**Class E1** Polished Finish  
*Statement of Accuracy not available.*

**Certificate**

Set Range	Part #	Price	Accredited
500 g - 1mg	<b>30822</b>	\$7,200.00	Included
500 g - 100 mg	<b>30826</b>	\$6,375.00	Included
500 g - 1g	<b>30830</b>	\$5,750.00	Included
500 g - 100 g	<b>30834</b>	\$4,850.00	Included

**Class E2** Polished Finish  
*Statement of Accuracy not available.*

**Certificate**

Set Range	Part #	Price	Accredited
500 g - 1mg	<b>30823</b>	\$3,850.00	Included
500 g - 100 mg	<b>30827</b>	\$3,325.00	Included
500 g - 1g	<b>30831</b>	\$2,675.00	Included
500 g - 100 g	<b>30835</b>	\$1,940.00	Included

**Class F1** Polished Finish

**Optional Certificate**

Set Range	Part #	Price	Accredited	Non-accredited
500 g - 1mg	<b>30824</b>	\$2,280.00	\$1,120.00	\$715.00
500 g - 100 mg	<b>30828</b>	\$2,030.00	\$800.00	\$535.00
500 g - 1g	<b>30832</b>	\$1,700.00	\$640.00	\$410.00
500 g - 100 g	<b>30836</b>	\$1,490.00	\$325.00	\$165.00

**Class F2** Polished Finish

**Optional Certificate**

Set Range	Part #	Price	Accredited	Non-accredited
500 g - 1mg	<b>30825</b>	\$1,940.00	\$1,120.00	\$715.00
500 g - 100 mg	<b>30829</b>	\$1,800.00	\$800.00	\$535.00
500 g - 1g	<b>30833</b>	\$1,510.00	\$640.00	\$410.00
500 g - 100 g	<b>30837</b>	\$1,100.00	\$325.00	\$165.00

**Class M1** Satin Finish

**Optional Certificate**

Set Range	Part #	Price	Accredited	Non-accredited
500 g - 1mg	<b>195670</b>	Consult	Consult	Consult
500 g - 1g	<b>195671</b>	Consult	Consult	Consult

Replacement Cases

Main Cases		
Class E1, E2, F1 and F2		
Set Range	Part #	Price
500 g - 1mg	<b>34645</b>	\$350.00
500 g - 100 mg	<b>34645</b>	\$350.00
500 g - 1g	<b>34645</b>	\$350.00
500 g - 100 g	<b>34645</b>	\$350.00

Main Cases		
Class M1		
Set Range	Part #	Price
500 g - 1mg	<b>Consult</b>	Consult
500 g - 1g	<b>Consult</b>	Consult

Inserts		
Class E1, E2, F1, F2 and M1		
Set Range	Part #	Price
500 g - 1mg	<b>30607</b>	\$220.00
500 g - 100 g	<b>30608</b>	\$415.00

Accessories

Description	Part #	Price
Statement of Accuracy	<b>36092</b>	\$47.50
Weight glove, white cotton	<b>11714</b>	\$7.25
Tweezer	<b>11711</b>	\$5.25
Premium tweezer	<b>152414</b>	\$45.50
Serial number	<b>25836</b>	\$17.00
Leaf weight cover	<b>11755</b>	\$45.50
Weight forceps, plastic	<b>50035</b>	\$45.50
Tong assembly 1kg - 200 g	<b>50000</b>	\$78.00

# Range: 500 g

## Weight Set Contents

500 g to 1 mg		500 g to 100 mg		500 g - 1 g		500 g - 100 g	
<b>30822</b> Class E1	<b>30826</b> Class E1	<b>30830</b> Class E1	<b>30834</b> Class E1				
<b>30823</b> Class E2	<b>30827</b> Class E2	<b>30831</b> Class E2	<b>30835</b> Class E2				
<b>30824</b> Class F1	<b>30828</b> Class F1	<b>30832</b> Class F1	<b>30836</b> Class F1				
<b>30825</b> Class F2	<b>30829</b> Class F2	<b>30833</b> Class F2	<b>30837</b> Class F2				
<b>195670</b> Class M1	–	<b>195671</b> Class M1	–				
(1) 500 g	(1) 500 g	(1) 500 g	(1) 500 g				
(2) 200 g	(2) 200 g	(2) 200 g	(2) 200 g				
(1) 100 g	(1) 100 g	(1) 100 g	(1) 100 g				
(1) 50 g	(1) 50 g	(1) 50 g					
(2) 20 g	(2) 20 g	(2) 20 g					
(1) 10 g	(1) 10 g	(1) 10 g					
(1) 5 g	(1) 5 g	(1) 5 g					
(2) 2 g	(2) 2 g	(2) 2 g					
(1) 1 g	(1) 1 g	(1) 1 g					
(1) 500 mg	(1) 500 mg						
(2) 200 mg	(2) 200 mg						
(1) 100 mg	(1) 100 mg						
(1) 50 mg							
(2) 20 mg							
(1) 10 mg							
(1) 5 mg							
(2) 2 mg							
(1) 1 mg							
<b>24 pcs.</b> 1.11111 kg set wt.	<b>16 pcs.</b> 1.111 kg set wt.	<b>12 pcs.</b> 1.11 kg set wt.	<b>4 pcs.</b> 1 kg set wt.				

CALIBRATION WEIGHTS  
OIML PRECISION



Set Includes Lifting Device, Glove and Case

MASS REFERENCE STANDARDS / METRIC SETS

Range: 1kg

CALIBRATION WEIGHTS  
OIML PRECISION

**Class E1** Polished Finish  
*Statement of Accuracy not available.*

**Certificate**

Set Range	Part #	Price	Accredited
1kg - 1mg	<b>30806</b>	\$8,225.00	Included
1kg - 100 mg	<b>30810</b>	\$6,975.00	Included
1kg - 1g	<b>30814</b>	\$6,275.00	Included
1kg - 100 g	<b>30818</b>	\$4,275.00	Included

**Class E2** Polished Finish  
*Statement of Accuracy not available.*

**Certificate**

Set Range	Part #	Price	Accredited
1kg - 1mg	<b>30807</b>	\$4,500.00	Included
1kg - 100 mg	<b>30811</b>	\$4,500.00	Included
1kg - 1g	<b>30815</b>	\$3,900.00	Included
1kg - 100 g	<b>30819</b>	\$3,100.00	Included

**Class F1** Polished Finish

**Optional Certificate**

Set Range	Part #	Price	Accredited	Non-accredited
1kg - 1mg	<b>30808</b>	\$3,250.00	\$1,120.00	\$765.00
1kg - 100 mg	<b>30812</b>	\$3,100.00	\$900.00	\$525.00
1kg - 1g	<b>30816</b>	\$3,000.00	\$730.00	\$455.00
1kg - 100 g	<b>30820</b>	\$2,625.00	\$415.00	\$205.00

**Class F2** Polished Finish

**Optional Certificate**

Set Range	Part #	Price	Accredited	Non-accredited
1kg - 1mg	<b>30809</b>	\$3,125.00	\$1,120.00	\$765.00
1kg - 100 mg	<b>30813</b>	\$3,050.00	\$900.00	\$525.00
1kg - 1g	<b>30817</b>	\$2,975.00	\$730.00	\$455.00
1kg - 100 g	<b>30821</b>	\$2,290.00	\$415.00	\$205.00

**Class M1** Satin Finish

**Optional Certificate**

Set Range	Part #	Price	Accredited	Non-accredited
1kg - 1mg	<b>159154</b>	\$2,280.00	Consult	Consult
1kg - 1g	<b>159155</b>	\$1,860.00	Consult	Consult

Replacement Cases

Main Cases		
Class E1, E2, F1 and F2		
Set Range	Part #	Price
1kg - 1mg	<b>30605</b>	\$2,060.00
1kg - 100 mg	<b>30605</b>	\$2,060.00
1kg - 1g	<b>30605</b>	\$2,060.00
1kg - 100 g	<b>30606</b>	\$1,860.00

Main Cases		
Class M1		
Set Range	Part #	Price
1kg - 1mg	<b>Consult</b>	Consult
1kg - 1g	<b>Consult</b>	Consult

Secondary Case		
Set Range	Part #	Price
100 g - 1mg	<b>34697</b>	\$240.00

Accessories

Description	Part #	Price
Statement of Accuracy	<b>36092</b>	\$47.50
Weight glove, white cotton	<b>11714</b>	\$7.25
Tweezer	<b>11711</b>	\$5.25
Premium tweezer	<b>152414</b>	\$45.50
Serial number	<b>25836</b>	\$17.00
Leaf weight cover	<b>11755</b>	\$45.50
Weight forceps, plastic	<b>50035</b>	\$45.50
Tong assembly 1kg - 200 g	<b>50000</b>	\$78.00

# Range: 1kg

## Weight Set Contents

1kg - 1mg		1kg - 100 mg		1kg - 1g		1kg - 100 g	
<b>30806</b> Class E1	<b>30810</b> Class E1	<b>30814</b> Class E1	<b>30818</b> Class E1				
<b>30807</b> Class E2	<b>30811</b> Class E2	<b>30815</b> Class E2	<b>30819</b> Class E2				
<b>30808</b> Class F1	<b>30812</b> Class F1	<b>30816</b> Class F1	<b>30820</b> Class F1				
<b>30809</b> Class F2	<b>30813</b> Class F2	<b>30817</b> Class F2	<b>30821</b> Class F2				
<b>159154</b> Class M1	–	<b>159155</b> Class M1	–				
(1) 1kg	(1) 1kg	(1) 1kg	(1) 1kg				
(1) 500 g	(1) 500 g	(1) 500 g	(1) 500 g				
(2) 200 g	(2) 200 g	(2) 200 g	(2) 200 g				
(1) 100 g	(1) 100 g	(1) 100 g	(1) 100 g				
(1) 50 g	(1) 50 g	(1) 50 g					
(2) 20 g	(2) 20 g	(2) 20 g					
(1) 10 g	(1) 10 g	(1) 10 g					
(1) 5 g	(1) 5 g	(1) 5 g					
(2) 2 g	(2) 2 g	(2) 2 g					
(1) 1 g	(1) 1 g	(1) 1 g					
(1) 500 mg	(1) 500 mg						
(2) 200 mg	(2) 200 mg						
(1) 100 mg	(1) 100 mg						
(1) 50 mg							
(2) 20 mg							
(1) 10 mg							
(1) 5 mg							
(2) 2 mg							
(1) 1 mg							
<b>25 pcs.</b> <b>2.1111kg set wt.</b>	<b>17 pcs.</b> <b>2.111kg set wt.</b>	<b>13 pcs.</b> <b>2.11kg set wt.</b>	<b>5 pcs.</b> <b>2 kg set wt.</b>				

CALIBRATION WEIGHTS  
OIML PRECISION



PN 30806 Set Includes Lifting Device, Glove and Case (1 kg to 1 mg)

MASS REFERENCE STANDARDS / METRIC SETS

Range: 2 kg

CALIBRATION WEIGHTS  
OIML PRECISION

**Class E1** Polished Finish  
*Statement of Accuracy not available.*

Set Range	Part #	Price
2 kg - 1 mg	40518	\$10,825.00
2 kg - 100 mg	40519	\$9,425.00
2 kg - 1 g	40520	\$7,925.00
2 kg - 100 g	40521	\$5,775.00

**Certificate**

Accredited
Included
Included
Included
Included

**Class E2** Polished Finish  
*Statement of Accuracy not available.*

Set Range	Part #	Price
2 kg - 1 mg	40523	\$5,600.00
(2) 2 kg - 1 mg	96455	\$6,175.00
2 kg - 1 g	40525	\$4,425.00
(2) 2 kg - 1 g	96457	\$5,575.00

**Certificate**

Accredited
Included
Included
Included
Included

**Class F1** Polished Finish

**Optional Certificate**

Set Range	Part #	Price
2 kg - 1 mg	40528	\$4,425.00
(2) 2 kg - 1 mg	96459	\$4,600.00
2 kg - 1 g	40530	\$3,425.00
(2) 2 kg - 1 g	96461	\$4,025.00

Accredited	Non-accredited
\$1,310.00	\$900.00
\$1,430.00	\$960.00
\$840.00	\$510.00
\$960.00	\$570.00

**Class F2** Polished Finish

**Optional Certificate**

Set Range	Part #	Price
2 kg - 1 mg	40533	\$3,825.00
(2) 2 kg - 1 mg	96463	\$3,825.00
2 kg - 1 g	40535	\$3,375.00
(2) 2 kg - 1 g	96465	\$3,900.00

Accredited	Non-accredited
\$1,310.00	\$900.00
\$1,430.00	\$960.00
\$840.00	\$510.00
\$960.00	\$570.00

**Class M1** Satin Finish

**Optional Certificate**

Set Range	Part #	Price
2 kg - 1 mg	195672	\$2,925.00
2 kg - 1 g	195673	\$2,100.00

Accredited	Non-accredited
Consult	Consult
Consult	Consult



Set Includes Lifting Device, Glove and Case (1 kg to 1 mg)

Replacement Cases

Main Cases		
Class E1		
Set Range	Part #	Price
2 kg - 1 mg	96308	\$2,070.00
2 kg - 100 mg	96308	\$2,070.00
2 kg - 1 g	96308	\$2,070.00
2 kg - 100 g	96308	\$2,070.00

Main Cases		
Class E2, F1 and F2		
Set Range	Part #	Price
2 kg - 1 mg	96308	\$2,070.00
(2) 2 kg - 1 mg	84474	\$2,070.00
2 kg - 1 g	96308	\$2,070.00
(2) 2 kg - 1 g	84474	\$2,070.00

Main Cases		
Class M1		
Set Range	Part #	Price
2 kg - 1 mg	Consult	Consult
2 kg - 1 g	Consult	Consult

Secondary Case		
Set Range	Part #	Price
100 g - 1 mg	34697	\$240.00



# Range: 2 kg

## Weight Set Contents

2 kg - 1 mg	2 kg - 100 mg	(2) 2 kg - 1 mg	2 kg - 1 g	(2) 2 kg - 1 g	2 kg - 100 g
<b>40518</b> Class E1 <b>40523</b> Class E2 <b>40528</b> Class F1 <b>40533</b> Class F2 -	<b>40519</b> Class E1 - - - -	- <b>96455</b> Class E2 <b>96459</b> Class F1 <b>96463</b> Class F2 -	<b>40520</b> Class E1 <b>40525</b> Class E2 <b>40530</b> Class F1 <b>40535</b> Class F2 <b>195672</b> Class M1	- <b>96457</b> Class E2 <b>96461</b> Class F1 <b>96465</b> Class F2 <b>195673</b> Class M1	<b>40521</b> Class E1 - - - -
(1) 2 kg (1) 1kg (1) 500 g (2) 200 g (1) 100 g (1) 50 g (2) 20 g (1) 10 g (1) 5 g (2) 2 g (1) 1g (1) 500 mg (2) 200 mg (1) 100 mg (1) 50 mg (2) 20 mg (1) 10 mg (1) 5 mg (2) 2 mg (1) 1mg	(1) 2 kg (1) 1kg (1) 500 g (2) 200 g (1) 100 g (1) 50 g (2) 20 g (1) 10 g (1) 5 g (2) 2 g (1) 1g (1) 500 mg (2) 200 mg (1) 100 mg (1) 50 mg (2) 20 mg (1) 10 mg (1) 5 mg (2) 2 mg (1) 1mg	(2) 2 kg (1) 1kg (1) 500 g (2) 200 g (1) 100 g (1) 50 g (2) 20 g (1) 10 g (1) 5 g (2) 2 g (1) 1g (1) 500 mg (2) 200 mg (1) 100 mg (1) 50 mg (2) 20 mg (1) 10 mg (1) 5 mg (2) 2 mg (1) 1mg	(1) 2 kg (1) 1kg (1) 500 g (2) 200 g (1) 100 g (1) 50 g (2) 20 g (1) 10 g (1) 5 g (2) 2 g (1) 1g	(2) 2 kg (1) 1kg (1) 500 g (2) 200 g (1) 100 g (1) 50 g (2) 20 g (1) 10 g (1) 5 g (2) 2 g (1) 1g	(1) 2 kg (1) 1kg (1) 500 g (2) 200 g (1) 100 g
<b>26 pcs.</b> <b>4.11111 kg set wt.</b>	<b>18 pcs.</b> <b>4.111 kg set wt.</b>	<b>27 pcs.</b> <b>6.11111 kg set wt.</b>	<b>14 pcs.</b> <b>4.11 kg set wt.</b>	<b>15 pcs.</b> <b>4.11 kg set wt.</b>	<b>6 pcs.</b> <b>4.0 kg set wt.</b>

CALIBRATION WEIGHTS  
OIML PRECISION

## Accessories

Description	Part #	Price
Statement of Accuracy	<b>36092</b>	\$47.50
Weight glove, white cotton	<b>11714</b>	\$7.25
Tweezer	<b>11711</b>	\$5.25
Premium tweezer	<b>152414</b>	\$45.50
Serial number	<b>25836</b>	\$17.00
Leaf weight cover	<b>11755</b>	\$45.50
Weight forceps, plastic	<b>50035</b>	\$45.50
Tong assembly 1kg - 200 g	<b>50000</b>	\$78.00
Lifter, 5 kg and 2 kg	<b>50037</b>	\$57.00

# Range: 5 kg

CALIBRATION WEIGHTS  
OIML PRECISION

**Class E1** Polished Finish  
*Statement of Accuracy not available.*

Set Range	Part #	Price	Certificate Accredited
5 kg - 1 mg	<b>30785</b>	\$12,775.00	Included
5 kg - 100 mg	<b>30789</b>	\$12,300.00	Included
5 kg - 1 g	<b>30793</b>	\$11,800.00	Included
5 kg - 100 g	<b>30797</b>	\$8,325.00	Included
5 kg - 1 kg	<b>30802</b>	\$7,050.00	Included

**Class E2** Polished Finish  
*Statement of Accuracy not available.*

Set Range	Part #	Price	Certificate Accredited
5 kg - 1 mg	<b>30786</b>	\$7,275.00	Included
5 kg - 100 mg	<b>30790</b>	\$7,000.00	Included
5 kg - 1 g	<b>30794</b>	\$6,300.00	Included
5 kg - 100 g	<b>30798</b>	\$5,550.00	Included
5 kg - 1 kg	<b>30803</b>	\$4,700.00	Included

**Class F1** Polished Finish

Set Range	Part #	Price	Optional Certificate	
			Accredited	Non-accredited
5 kg - 1 mg	<b>30787</b>	\$5,450.00	\$1,400.00	\$840.00
5 kg - 100 mg	<b>30791</b>	\$5,550.00	\$1,225.00	\$765.00
5 kg - 1 g	<b>30795</b>	\$5,125.00	\$1,075.00	\$635.00
5 kg - 100 g	<b>30800</b>	\$4,700.00	\$755.00	\$380.00
5 kg - 1 kg	<b>30804</b>	\$4,450.00	\$385.00	\$220.00

**Class F2** Polished Finish

Set Range	Part #	Price	Optional Certificate	
			Accredited	Non-accredited
5 kg - 1 mg	<b>30788</b>	\$5,000.00	\$1,400.00	\$840.00
5 kg - 100 mg	<b>30792</b>	\$4,850.00	\$1,225.00	\$765.00
5 kg - 1 g	<b>30796</b>	\$4,425.00	\$1,075.00	\$635.00
5 kg - 100 g	<b>30801</b>	\$4,050.00	\$755.00	\$380.00
5 kg - 1 kg	<b>30805</b>	\$3,750.00	\$385.00	\$220.00

**Class M1** Satin Finish

Set Range	Part #	Price	Optional Certificate Accredited
5 kg - 1 mg	<b>126169</b>	\$2,900.00	\$780.00
5 kg - 1 g	<b>126168</b>	\$2,490.00	\$490.00

## Replacement Cases

Main Cases		
Class E1, E2, F1 and F2		
Set Range	Part #	Price
5 kg - 1 mg	<b>30602</b>	\$2,020.00
5 kg - 100 mg	<b>30602</b>	\$2,020.00
5 kg - 1 g	<b>30602</b>	\$2,020.00
5 kg - 100 g	<b>30603</b>	\$2,020.00
5 kg - 1 kg	<b>30604</b>	\$1,860.00

Main Cases		
Class M1		
Set Range	Part #	Price
5 kg - 1 mg	<b>126164</b>	\$265.00
5 kg - 1 g	<b>126164</b>	\$265.00

Secondary Case		
Set Range	Part #	Price
100 g - 1 mg	<b>34697</b>	\$240.00

## Accessories

Description	Part #	Price
Statement of Accuracy	<b>36092</b>	\$47.50
Weight glove, white cotton	<b>11714</b>	\$7.25
Tweezer	<b>11711</b>	\$5.25
Premium tweezer	<b>152414</b>	\$45.50
Serial number	<b>25836</b>	\$17.00
Leaf weight cover	<b>11755</b>	\$45.50
Weight forceps, plastic	<b>50035</b>	\$45.50
Tong assembly 1 kg - 200 g	<b>50000</b>	\$78.00
Lifter, 5 kg and 2 kg	<b>50037</b>	\$57.00

# Range: 5 kg

## Weight Set Contents

5 kg - 1 mg	5 kg - 100 mg	5 kg - 1 g	5 kg - 100 g	5 kg - 1 kg
<b>30785</b> Class E1	<b>30789</b> Class E1	<b>30793</b> Class E1	<b>30797</b> Class E1	<b>30802</b> Class E1
<b>30786</b> Class E2	<b>30790</b> Class E2	<b>30794</b> Class E2	<b>30798</b> Class E2	<b>30803</b> Class E2
<b>30787</b> Class F1	<b>30791</b> Class F1	<b>30795</b> Class F1	<b>30800</b> Class F1	<b>30804</b> Class F1
<b>30788</b> Class F2	<b>30792</b> Class F2	<b>30796</b> Class F2	<b>30801</b> Class F2	<b>30805</b> Class F2
<b>126169</b> Class M1	-	<b>126168</b> Class M1	-	-
(1) 5 kg	(1) 5 kg	(1) 5 kg	(1) 5 kg	(1) 5 kg
(2) 2 kg	(2) 2 kg	(2) 2 kg	(2) 2 kg	(2) 2 kg
(1) 1 kg	(1) 1 kg	(1) 1 kg	(1) 1 kg	(1) 1 kg
(1) 500 g	(1) 500 g	(1) 500 g	(1) 500 g	
(2) 200 g	(2) 200 g	(2) 200 g	(2) 200 g	
(1) 100 g	(1) 100 g	(1) 100 g	(1) 100 g	
(1) 50 g	(1) 50 g	(1) 50 g		
(2) 20 g	(2) 20 g	(2) 20 g		
(1) 10 g	(1) 10 g	(1) 10 g		
(1) 5 g	(1) 5 g	(1) 5 g		
(2) 2 g	(2) 2 g	(2) 2 g		
(1) 1 g	(1) 1 g	(1) 1 g		
(1) 500 mg	(1) 500 mg			
(2) 200 mg	(2) 200 mg			
(1) 100 mg	(1) 100 mg			
(1) 50 mg				
(2) 20 mg				
(1) 10 mg				
(1) 5 mg				
(2) 2 mg				
(1) 1 mg				
<b>28 pcs.</b> 11.11111 kg set wt.	<b>20 pcs.</b> 11.111 kg set wt.	<b>16 pcs.</b> 11.11 kg set wt.	<b>8 pcs.</b> 11 kg set wt.	<b>4 pcs.</b> 10 kg set wt.

CALIBRATION WEIGHTS  
OIML PRECISION



Set Includes Lifting Device, Glove and Case (1 kg to 1 mg)

# Range: 10 kg

**Class E2** Polished Finish  
Statement of Accuracy not available.

**Certificate**

Set Range	Part #	Price	Accredited
10 kg - 1mg	<b>65213</b>	\$10,350.00	Included
10 kg - 100mg	<b>96419</b>	\$10,025.00	Included
10 kg - 1g	<b>96415</b>	\$9,725.00	Included
10 kg - 100g	<b>96420</b>	\$8,525.00	Included
10 kg - 1kg	<b>96421</b>	\$7,600.00	Included

**Class F1** Polished Finish

**Optional Certificate**

Set Range	Part #	Price	Accredited	Non-accredited
10 kg - 1mg	<b>65214</b>	\$8,575.00	\$1,500.00	\$900.00
10 kg - 100mg	<b>96429</b>	\$8,450.00	\$1,325.00	\$820.00
10 kg - 1g	<b>96430</b>	\$8,275.00	\$1,180.00	\$690.00
10 kg - 100g	<b>96467</b>	\$7,775.00	\$870.00	\$440.00
10 kg - 1kg	<b>96432</b>	\$6,975.00	\$530.00	\$280.00

**Class F2** Polished Finish

**Optional Certificate**

Set Range	Part #	Price	Accredited	Non-accredited
10 kg - 1mg	<b>65215</b>	\$7,625.00	\$1,500.00	\$900.00
10 kg - 100mg	<b>96445</b>	\$7,500.00	\$1,325.00	\$820.00
10 kg - 1g	<b>96446</b>	\$7,400.00	\$1,180.00	\$690.00
10 kg - 100g	<b>96444</b>	\$6,775.00	\$870.00	\$440.00
10 kg - 1kg	<b>96448</b>	\$6,200.00	\$530.00	\$280.00

**Class M1** Satin Finish

**Optional Certificate**

Set Range	Part #	Price	Accredited	Non-accredited
10 kg - 1mg	<b>195676</b>	\$3,425.00	Consult	Consult
10 kg - 1g	<b>195677</b>	\$3,075.00	Consult	Consult

CALIBRATION WEIGHTS  
OIML PRECISION

## Replacement Cases

Main Cases		
Class E2, F1 and F2		
Set Range	Part #	Price
10 kg - 1mg	<b>65218</b>	\$2,575.00
10 kg - 100mg	<b>65218</b>	\$2,575.00
10 kg - 1g	<b>65218</b>	\$2,575.00
10 kg - 100g	<b>65218</b>	\$2,575.00
10 kg - 1kg	<b>65218</b>	\$2,575.00

Main Cases		
Class M1		
Set Range	Part #	Price
10 kg - 1mg	<b>Consult</b>	Consult
10 kg - 1g	<b>200297</b>	\$615.00

Secondary Case		
Set Range	Part #	Price
100 g - 1 mg	<b>34697</b>	\$240.00

## Accessories

Description	Part #	Price
Statement of Accuracy	<b>36092</b>	\$47.50
Weight glove, white cotton	<b>11714</b>	\$7.25
Tweezer	<b>11711</b>	\$5.25
Premium tweezer	<b>152414</b>	\$45.50
Serial number	<b>25836</b>	\$17.00
Leaf weight cover	<b>11755</b>	\$45.50
Weight forceps, plastic	<b>50035</b>	\$45.50
Tong assembly 1kg - 200g	<b>50000</b>	\$78.00
Lifter, 5 kg and 2 kg	<b>50037</b>	\$57.00

# Range: 10 kg

## Weight Set Contents

10 kg - 1 mg	10 kg - 100 mg	10 kg - 1 g	10 kg - 100 g	10 kg - 1 kg
<b>65213</b> Class E2	<b>96419</b> Class E2	<b>96415</b> Class E2	<b>96420</b> Class E2	<b>96421</b> Class E2
<b>65214</b> Class F1	<b>96429</b> Class F1	<b>96430</b> Class F1	<b>96467</b> Class F1	<b>96432</b> Class F1
<b>65215</b> Class F2	<b>96445</b> Class F2	<b>96446</b> Class F2	<b>96444</b> Class F2	<b>96448</b> Class F2
<b>195676</b> Class M1	–	<b>195677</b> Class M1	–	–
(1) 10 kg	(1) 10 kg	(1) 10 kg	(1) 10 kg	(1) 10 kg
(1) 5 kg	(1) 5 kg	(1) 5 kg	(1) 5 kg	(1) 5 kg
(2) 2 kg	(2) 2 kg	(2) 2 kg	(2) 2 kg	(2) 2 kg
(1) 1 kg	(1) 1 kg	(1) 1 kg	(1) 1 kg	(1) 1 kg
(1) 500 g	(1) 500 g	(1) 500 g	(1) 500 g	
(2) 200 g	(2) 200 g	(2) 200 g	(2) 200 g	
(1) 100 g	(1) 100 g	(1) 100 g	(1) 100 g	
(1) 50 g	(1) 50 g	(1) 50 g		
(2) 20 g	(2) 20 g	(2) 20 g		
(1) 10 g	(1) 10 g	(1) 10 g		
(1) 5 g	(1) 5 g	(1) 5 g		
(2) 2 g	(2) 2 g	(2) 2 g		
(1) 1 g	(1) 1 g	(1) 1 g		
(1) 500 mg	(1) 500 mg			
(2) 200 mg	(2) 200 mg			
(1) 100 mg	(1) 100 mg			
(1) 50 mg				
(2) 20 mg				
(1) 10 mg				
(1) 5 mg				
(2) 2 mg				
(1) 1 mg				
<b>29 pcs.</b> 21.1111 kg set wt.	<b>21 pcs.</b> 21.11105 kg	<b>17 pcs.</b> 21.111 kg set wt.	<b>9 pcs.</b> 21 kg set wt.	<b>5 pcs.</b> 20 kg set wt.

CALIBRATION WEIGHTS  
OIML PRECISION

MASS REFERENCE STANDARDS / METRIC SETS

Range: 20 kg

**Class E2** Polished Finish  
Statement of Accuracy not available.

**Certificate**

Set Range	Part #	Price	Accredited
20 kg - 1mg	<b>65210</b>	\$14,425.00	Included
20 kg - 100 mg	<b>96416</b>	\$14,100.00	Included
20 kg - 1g	<b>96414</b>	\$13,525.00	Included
20 kg - 100 g	<b>96417</b>	\$12,400.00	Included
20 kg - 1kg	<b>96418</b>	\$11,025.00	Included

**Class F1** Polished Finish

**Optional Certificate**

Set Range	Part #	Price	Accredited	Non-accredited
20 kg - 1mg	<b>65211</b>	\$11,200.00	\$1,680.00	\$1,025.00
20 kg - 100 mg	<b>96428</b>	\$7,425.00	\$1,445.00	\$885.00
20 kg - 1g	<b>96425</b>	\$10,875.00	\$1,285.00	\$760.00
20 kg - 100 g	<b>96426</b>	\$10,350.00	\$975.00	\$500.00
20 kg - 1kg	<b>96427</b>	\$9,550.00	\$645.00	\$340.00

**Class F2** Polished Finish

**Optional Certificate**

Set Range	Part #	Price	Accredited	Non-accredited
20 kg - 1mg	<b>65212</b>	\$9,975.00	\$1,680.00	\$1,025.00
20 kg - 100 mg	<b>96447</b>	\$9,800.00	\$1,445.00	\$885.00
20 kg - 1g	<b>96441</b>	\$9,700.00	\$1,285.00	\$760.00
20 kg - 100 g	<b>96442</b>	\$9,225.00	\$975.00	\$500.00
20 kg - 1kg	<b>96443</b>	\$8,500.00	\$645.00	\$340.00

CALIBRATION WEIGHTS  
OIML PRECISION

Replacement Cases

Main Cases		
Class E2, F1 and F2		
Set Range	Part #	Price
20 kg - 1mg	<b>65219</b>	\$2,450.00
20 kg - 100 mg	<b>65219</b>	\$2,450.00
20 kg - 1g	<b>65219</b>	\$2,450.00
20 kg - 100 g	<b>65219</b>	\$2,450.00
20 kg - 1kg	<b>65219</b>	\$2,450.00

Secondary Case		
Set Range	Part #	Price
100 g - 1mg	<b>34697</b>	\$240.00

Accessories

Description	Part #	Price
Statement of Accuracy	<b>36092</b>	\$47.50
Weight glove, white cotton	<b>11714</b>	\$7.25
Tweezer	<b>11711</b>	\$5.25
Premium tweezer	<b>152414</b>	\$45.50
Serial number	<b>25836</b>	\$17.00
Leaf weight cover	<b>11755</b>	\$45.50
Weight forceps, plastic	<b>50035</b>	\$45.50
Tong assembly 1kg - 200g	<b>50000</b>	\$78.00
Lifter, 5 kg and 2 kg	<b>50037</b>	\$57.00



# Range: 20 kg

## Weight Set Contents

20 kg - 1 mg		20 kg - 100 mg		20 kg - 1 g		20 kg - 100 g		20 kg - 1 kg	
<b>65210</b> Class E2	<b>96416</b> Class E2	<b>96414</b> Class E2	<b>96417</b> Class E2	<b>96418</b> Class E2					
<b>65211</b> Class F1	<b>96428</b> Class F1	<b>96425</b> Class F1	<b>96426</b> Class F1	<b>96427</b> Class F1					
<b>65212</b> Class F2	<b>96447</b> Class F2	<b>96441</b> Class F2	<b>96442</b> Class F2	<b>96443</b> Class F2					
(1) 20 kg	(1) 20 kg	(1) 20 kg	(1) 20 kg	(1) 20 kg					
(1) 10 kg	(1) 10 kg	(1) 10 kg	(1) 10 kg	(1) 10 kg					
(1) 5 kg	(1) 5 kg	(1) 5 kg	(1) 5 kg	(1) 5 kg					
(2) 2 kg	(2) 2 kg	(2) 2 kg	(2) 2 kg	(2) 2 kg					
(1) 1 kg	(1) 1 kg	(1) 1 kg	(1) 1 kg	(1) 1 kg					
(1) 500 g	(1) 500 g	(1) 500 g	(1) 500 g	(1) 500 g					
(2) 200 g	(2) 200 g	(2) 200 g	(2) 200 g	(2) 200 g					
(1) 100 g	(1) 100 g	(1) 100 g	(1) 100 g	(1) 100 g					
(1) 50 g	(1) 50 g	(1) 50 g	(1) 50 g						
(2) 20 g	(2) 20 g	(2) 20 g	(2) 20 g						
(1) 10 g	(1) 10 g	(1) 10 g	(1) 10 g						
(1) 5 g	(1) 5 g	(1) 5 g	(1) 5 g						
(2) 2 g	(2) 2 g	(2) 2 g	(2) 2 g						
(1) 1 g	(1) 1 g	(1) 1 g	(1) 1 g						
(1) 500 mg	(1) 500 mg								
(2) 200 mg	(2) 200 mg								
(1) 100 mg	(1) 100 mg								
(1) 50 mg									
(2) 20 mg									
(1) 10 mg									
(1) 5 mg									
(2) 2 mg									
(1) 1 mg									
<b>30 pcs.</b> 41.1111 kg set wt.	<b>22 pcs.</b> 41.11105 kg set wt.	<b>18 pcs.</b> 41.111 kg set wt.	<b>10 pcs.</b> 41 kg set wt.	<b>6 pcs.</b> 40 kg set wt.					

CALIBRATION WEIGHTS  
OIML PRECISION





# BALANCE CALIBRATION WEIGHTS / METRIC SINGLE WEIGHTS

## Range: 30 kg – 5 kg

CALIBRATION WEIGHTS  
BALANCE CALIBRATION

### Class 1 Polished Finish Grip-handle

Weight	Part #	Price
30 kg	12996	\$2,280.00
25 kg	12995	\$1,970.00
24 kg	12994	\$1,910.00
20 kg	12993	\$1,730.00
16 kg	12992	\$1,530.00
10 kg	12991	\$1,100.00
8 kg	12990	\$1,080.00
5 kg	12989	\$810.00

### Optional Certificate

Accredited	Non-Accredited
\$390.00	\$85.00
\$145.00	\$80.00
\$145.00	\$80.00
\$145.00	\$80.00
\$145.00	\$80.00
\$145.00	\$80.00
\$145.00	\$80.00
\$145.00	\$80.00

### Class 2 Polished Finish Grip-handle

Weight	Part #	Price
30 kg	13114	\$2,000.00
25 kg	13113	\$1,680.00
24 kg	13112	\$1,660.00
20 kg	13111	\$1,490.00
16 kg	13110	\$1,430.00
10 kg	13109	\$1,000.00
8 kg	13108	\$980.00
5 kg	13107	\$650.00

### Optional Certificate

Accredited	Non-Accredited
\$390.00	\$85.00
\$145.00	\$80.00
\$145.00	\$80.00
\$145.00	\$80.00
\$145.00	\$80.00
\$145.00	\$80.00
\$145.00	\$80.00
\$145.00	\$80.00

### Class 3 Satin Finish Grip-handle

Weight	Part #	Price
30 kg	13217	\$1,810.00
25 kg	13216	\$1,570.00
24 kg	13215	\$1,530.00
20 kg	13214	\$1,340.00
16 kg	13213	\$1,150.00
10 kg	13212	\$905.00
8 kg	13211	\$840.00
5 kg	13210	\$630.00

### Optional Certificate

Accredited	Non-Accredited
\$390.00	\$85.00
\$145.00	\$80.00
\$145.00	\$80.00
\$145.00	\$80.00
\$145.00	\$80.00
\$145.00	\$80.00
\$145.00	\$80.00
\$145.00	\$80.00

### Class 4 Satin Finish Grip-handle

Weight	Part #	Price
30 kg	13320	\$1,670.00
25 kg	13319	\$1,420.00
24 kg	13318	\$1,350.00
20 kg	13317	\$1,160.00
16 kg	13316	\$1,020.00
10 kg	13315	\$805.00
8 kg	13314	\$795.00
5 kg	13313	\$560.00

### Optional Certificate

Accredited
\$80.00
\$75.00
\$75.00
\$75.00
\$75.00
\$75.00
\$75.00
\$75.00



## Replacement Cases

Main Cases		
Class 1, 2, 3 and 4		
Nominal Value	Part #	Price
30 kg	Consult	Consult
25 kg	Consult	Consult
24 kg	Consult	Consult
20 kg	Consult	Consult
16 kg	Consult	Consult
10 kg	Consult	Consult
8 kg	Consult	Consult
5 kg	Consult	Consult

# BALANCE CALIBRATION WEIGHTS / METRIC SINGLE WEIGHTS

## Range: 5 kg – 10 g

### Class 1 Polished Finish Cylindrical

Weight	Part #	Price
5 kg	12959	\$765.00
4 kg	12957	\$665.00
3 kg	12955	\$395.00
2 kg	12953	\$230.00
1,500 g	12986	\$200.00
1,000 g	12972	\$170.00
600 g	12984	\$185.00
500 g	12951	\$145.00
400 g	12969	\$140.00
300 g	12967	\$135.00
200 g	12949	\$135.00
160 g	12982	\$145.00
150 g	12980	\$98.00
100 g	12947	\$90.00
50 g	12965	\$83.00
30 g	12963	\$83.00
20 g	12961	\$83.00
10 g	12945	\$83.00

### Optional Certificate

Accredited	Non-Accredited
\$145.00	\$80.00
\$145.00	\$80.00
\$145.00	\$80.00
\$145.00	\$80.00
\$145.00	\$80.00
\$125.00	\$60.00
\$125.00	\$60.00
\$125.00	\$60.00
\$125.00	\$60.00
\$125.00	\$60.00
\$125.00	\$60.00
\$125.00	\$60.00
\$125.00	\$60.00
\$125.00	\$60.00
\$55.00	\$45.00
\$55.00	\$45.00
\$55.00	\$45.00
\$55.00	\$45.00

### Class 3 Satin Finish Cylindrical

Weight	Part #	Price
5 kg	13180	\$580.00
4 kg	13178	\$550.00
3 kg	13176	\$300.00
2 kg	13174	\$195.00
1,500 g	13207	\$195.00
1,000 g	13193	\$160.00
600 g	13205	\$165.00
500 g	13172	\$130.00
400 g	13190	\$130.00
300 g	13188	\$120.00
200 g	13170	\$105.00
160 g	13203	\$135.00
150 g	13201	\$83.00
100 g	13168	\$77.00
50 g	13186	\$72.00
30 g	13184	\$72.00
20 g	13182	\$72.00
10 g	13166	\$72.00

### Optional Certificate

Accredited	Non-Accredited
\$145.00	\$80.00
\$145.00	\$80.00
\$145.00	\$80.00
\$145.00	\$80.00
\$145.00	\$80.00
\$125.00	\$60.00
\$125.00	\$60.00
\$125.00	\$60.00
\$125.00	\$60.00
\$125.00	\$60.00
\$125.00	\$60.00
\$125.00	\$60.00
\$125.00	\$60.00
\$125.00	\$60.00
\$55.00	\$45.00
\$55.00	\$45.00
\$55.00	\$45.00
\$55.00	\$45.00

### Class 2 Polished Finish Cylindrical

Weight	Part #	Price
5 kg	13077	\$610.00
4 kg	13075	\$600.00
3 kg	13073	\$310.00
2 kg	13071	\$205.00
1,500 g	13104	\$200.00
1,000 g	13090	\$165.00
600 g	13102	\$170.00
500 g	13069	\$140.00
400 g	13087	\$135.00
300 g	13085	\$125.00
200 g	13067	\$125.00
160 g	13100	\$135.00
150 g	13098	\$90.00
100 g	13065	\$83.00
50 g	13083	\$77.00
30 g	13081	\$77.00
20 g	13079	\$77.00
10 g	13063	\$77.00

### Optional Certificate

Accredited	Non-Accredited
\$145.00	\$80.00
\$145.00	\$80.00
\$145.00	\$80.00
\$145.00	\$80.00
\$145.00	\$80.00
\$125.00	\$60.00
\$125.00	\$60.00
\$125.00	\$60.00
\$125.00	\$60.00
\$125.00	\$60.00
\$125.00	\$60.00
\$125.00	\$60.00
\$125.00	\$60.00
\$125.00	\$60.00
\$55.00	\$45.00
\$55.00	\$45.00
\$55.00	\$45.00
\$55.00	\$45.00

### Class 4 Satin Finish Cylindrical

Weight	Part #	Price
5 kg	13283	\$505.00
4 kg	13281	\$475.00
3 kg	13279	\$295.00
2 kg	13277	\$185.00
1,500 g	13310	\$180.00
1,000 g	13296	\$160.00
600 g	13308	\$160.00
500 g	13275	\$125.00
400 g	13293	\$125.00
300 g	13291	\$105.00
200 g	13273	\$98.00
160 g	13306	\$130.00
150 g	13304	\$77.00
100 g	13271	\$72.00
50 g	13289	\$72.00
30 g	13287	\$72.00
20 g	13285	\$72.00
10 g	13269	\$72.00

### Optional Certificate

Accredited
\$75.00
\$75.00
\$75.00
\$75.00
\$75.00
\$55.00
\$55.00
\$55.00
\$55.00
\$55.00
\$55.00
\$55.00
\$55.00
\$40.00
\$40.00
\$40.00
\$40.00

CALIBRATION WEIGHTS  
BALANCE CALIBRATION

## Replacement Cases

Main Cases		
Class 1, 2, 3 and 4		
Nominal Value	Part #	Price
5 kg	197476	\$240.00
4 kg	197475	\$240.00
3 kg	190273	\$40.50
2 kg	190268	\$40.50
1,500 g	190270	\$40.50
1,000 g	190259	\$40.50
600 g	189714	\$40.50
500 g	189712	\$40.50
400 g	189709	\$40.50

Main Cases		
Class 1, 2, 3 and 4		
Nominal Value	Part #	Price
300 g	189643	\$40.50
200 g	194185	\$38.50
160 g	189634	\$40.50
150 g	189633	\$40.50
100 g	189567	\$44.50
50 g	189506	\$44.50
30 g	189505	\$44.50
20 g	189482	\$44.50
10 g	189475	\$44.50



**BALANCE CALIBRATION WEIGHTS / AVOIRDUPOIS SINGLE WEIGHTS**

**Range: 50 lb – 10 lb**

CALIBRATION WEIGHTS  
BALANCE CALIBRATION

**Class 1** Polished Finish  
Grip-handle

Weight	Part #	Price
50 lb	<b>13038</b>	\$1,970.00
30 lb	<b>13037</b>	\$1,540.00
25 lb	<b>13036</b>	\$1,100.00
20 lb	<b>13035</b>	\$1,100.00
10 lb	<b>13034</b>	\$795.00

**Optional Certificate**

Accredited	Non-Accredited
\$285.00	\$85.00
\$130.00	\$85.00
\$130.00	\$85.00
\$130.00	\$85.00
\$130.00	\$85.00

**Class 2** Polished Finish  
Grip-handle

Weight	Part #	Price
50 lb	<b>13155</b>	\$1,680.00
30 lb	<b>13154</b>	\$1,240.00
25 lb	<b>13153</b>	\$970.00
20 lb	<b>13152</b>	\$930.00
10 lb	<b>13151</b>	\$650.00

**Optional Certificate**

Accredited	Non-Accredited
\$285.00	\$85.00
\$130.00	\$85.00
\$130.00	\$85.00
\$130.00	\$85.00
\$130.00	\$85.00

**Class 3** Satin Finish  
Grip-handle

Weight	Part #	Price
50 lb	<b>13258</b>	\$1,580.00
30 lb	<b>13257</b>	\$1,100.00
25 lb	<b>13256</b>	\$835.00
20 lb	<b>13255</b>	\$815.00
10 lb	<b>13254</b>	\$640.00

**Optional Certificate**

Accredited	Non-Accredited
\$285.00	\$85.00
\$130.00	\$85.00
\$130.00	\$85.00
\$130.00	\$85.00
\$130.00	\$85.00

**Class 4** Satin Finish  
Grip-handle

Weight	Part #	Price
50 lb	<b>13361</b>	\$1,560.00
30 lb	<b>13360</b>	\$1,040.00
25 lb	<b>13359</b>	\$765.00
20 lb	<b>13358</b>	\$680.00
10 lb	<b>13357</b>	\$520.00

**Optional Certificate**

Accredited
\$80.00
\$80.00
\$80.00
\$80.00
\$80.00



**Replacement Cases**

Main Cases		
Class 1, 2, 3 and 4		
Nominal Value	Part #	Price
50 lb	<b>Consult</b>	Consult
30 lb	<b>Consult</b>	Consult
25 lb	<b>Consult</b>	Consult
20 lb	<b>Consult</b>	Consult
10 lb	<b>Consult</b>	Consult



**BALANCE CALIBRATION WEIGHTS / AVOIRDUPOIS SINGLE WEIGHTS**

**Range: 10 lb – 0.05 lb**

**Class 1** Polished Finish  
Cylindrical

Weight	Part #	Price
10 lb	13022	\$775.00
5 lb	13020	\$395.00
4 lb	13018	\$230.00
3 lb	13016	\$200.00
2 lb	13014	\$180.00
1 lb	13012	\$145.00
8 oz	13010	\$125.00
4 oz	13008	\$120.00
2 oz	13006	\$105.00
1 oz	13004	\$105.00
1/2 oz	13002	\$98.00
0.5 lb	13033	\$125.00
0.2 lb	13025	\$120.00
0.1 lb	13027	\$105.00
0.05 lb	13029	\$98.00

**Optional Certificate**

Accredited	Non-Accredited
\$130.00	\$85.00
\$130.00	\$85.00
\$130.00	\$85.00
\$130.00	\$85.00
\$105.00	\$70.00
\$105.00	\$70.00
\$55.00	\$45.00
\$55.00	\$45.00
\$55.00	\$45.00
\$55.00	\$45.00
\$55.00	\$45.00
\$55.00	\$45.00
\$55.00	\$45.00
\$55.00	\$45.00
\$55.00	\$45.00
\$55.00	\$45.00
\$55.00	\$45.00

**Class 3** Satin Finish  
Cylindrical

Weight	Part #	Price
10 lb	13242	\$550.00
5 lb	13240	\$310.00
4 lb	13238	\$205.00
3 lb	13236	\$195.00
2 lb	13234	\$160.00
1 lb	13232	\$135.00
8 oz	13230	\$105.00
4 oz	13228	\$89.00
2 oz	13226	\$83.00
1 oz	13224	\$77.00
1/2 oz	13222	\$77.00
0.5 lb	13253	\$105.00
0.2 lb	13245	\$72.00
0.1 lb	13247	\$72.00
0.05 lb	13249	\$72.00

**Optional Certificate**

Accredited	Non-Accredited
\$130.00	\$85.00
\$130.00	\$85.00
\$130.00	\$85.00
\$130.00	\$85.00
\$105.00	\$70.00
\$105.00	\$70.00
\$55.00	\$45.00
\$55.00	\$45.00
\$55.00	\$45.00
\$55.00	\$45.00
\$55.00	\$45.00
\$55.00	\$45.00
\$55.00	\$45.00
\$55.00	\$45.00
\$55.00	\$45.00
\$55.00	\$45.00
\$55.00	\$45.00

**Class 2** Polished Finish  
Cylindrical

Weight	Part #	Price
10 lb	13139	\$605.00
5 lb	13137	\$330.00
4 lb	13135	\$210.00
3 lb	13133	\$195.00
2 lb	13131	\$165.00
1 lb	13129	\$140.00
8 oz	13127	\$120.00
4 oz	13125	\$89.00
2 oz	13123	\$83.00
1 oz	13121	\$83.00
1/2 oz	13119	\$83.00
0.5 lb	13150	\$105.00
0.2 lb	13142	\$83.00
0.1 lb	13144	\$83.00
0.05 lb	13146	\$83.00

**Optional Certificate**

Accredited	Non-Accredited
\$130.00	\$85.00
\$130.00	\$85.00
\$130.00	\$85.00
\$130.00	\$85.00
\$105.00	\$70.00
\$105.00	\$70.00
\$55.00	\$45.00
\$55.00	\$45.00
\$55.00	\$45.00
\$55.00	\$45.00
\$55.00	\$45.00
\$55.00	\$45.00
\$55.00	\$45.00
\$55.00	\$45.00
\$55.00	\$45.00
\$55.00	\$45.00
\$55.00	\$45.00

**Class 4** Satin Finish  
Cylindrical

Weight	Part #	Price
10 lb	13345	\$520.00
5 lb	13343	\$300.00
4 lb	13341	\$200.00
3 lb	13339	\$185.00
2 lb	13337	\$160.00
1 lb	13335	\$130.00
8 oz	13333	\$98.00
4 oz	13331	\$83.00
2 oz	13329	\$77.00
1 oz	13327	\$72.00
1/2 oz	13325	\$72.00
0.5 lb	13356	\$98.00
0.2 lb	13348	\$72.00
0.1 lb	13350	\$72.00
0.05 lb	13352	\$72.00

**Optional Certificate**

Accredited
\$80.00
\$80.00
\$80.00
\$80.00
\$65.00
\$65.00
\$40.00
\$40.00
\$40.00
\$40.00
\$40.00
\$40.00
\$40.00
\$40.00
\$40.00
\$40.00

**CALIBRATION WEIGHTS  
BALANCE CALIBRATION**

**Replacement Cases**

Main Cases		
Class 1, 2, 3 and 4		
Nominal Value	Part #	Price
10 lb	197473	\$240.00
5 lb	190269	\$40.50
4 lb	190267	\$40.50
3 lb	190263	\$40.50
2 lb	190260	\$40.50
1 lb	189710	\$40.50
8 oz	189635	\$40.50
4 oz	189568	\$44.50

Main Cases		
Class 1, 2, 3 and 4		
Nominal Value	Part #	Price
2 oz	189565	\$44.50
1 oz	189484	\$44.50
1/2 oz	189476	\$44.50
0.5 lb	189635	\$40.50
0.2 lb	189565	\$44.50
0.1 lb	189507	\$44.50
0.05 lb	189483	\$44.50



**BALANCE CALIBRATION WEIGHTS / AVOIRDUPOIS SINGLE WEIGHT WITH CASE (KIT)**

**Range: 10 lb – 0.05 lb**

**CALIBRATION WEIGHTS  
BALANCE CALIBRATION**

**Class 1** Polished Finish

Weight	Part #	Price
10 lb	13021	\$795.00
5 lb	13019	\$420.00
4 lb	13017	\$250.00
3 lb	13015	\$230.00
2 lb	13013	\$205.00
1 lb	13011	\$170.00
8 oz	13009	\$145.00
4 oz	13007	\$140.00
2 oz	13005	\$135.00
1 oz	13003	\$135.00
1/2 oz	13001	\$135.00
0.5 lb	13032	\$145.00
0.2 lb	13024	\$140.00
0.1 lb	13026	\$135.00
0.05 lb	13028	\$135.00

**Optional Certificate**

Accredited	Non-Accredited
\$130.00	\$85.00
\$130.00	\$85.00
\$130.00	\$85.00
\$130.00	\$85.00
\$105.00	\$70.00
\$105.00	\$70.00
\$55.00	\$45.00
\$55.00	\$45.00
\$55.00	\$45.00
\$55.00	\$45.00
\$55.00	\$45.00
\$55.00	\$45.00
\$55.00	\$45.00
\$55.00	\$45.00
\$55.00	\$45.00
\$55.00	\$45.00
\$55.00	\$45.00

**Class 2** Polished Finish

Weight	Part #	Price
10 lb	13138	\$640.00
5 lb	13136	\$340.00
4 lb	13134	\$245.00
3 lb	13132	\$230.00
2 lb	13130	\$185.00
1 lb	13128	\$170.00
8 oz	13126	\$140.00
4 oz	13124	\$120.00
2 oz	13122	\$120.00
1 oz	13120	\$120.00
1/2 oz	13118	\$120.00
0.5 lb	13149	\$140.00
0.2 lb	13141	\$120.00
0.1 lb	13143	\$120.00
0.05 lb	13145	\$120.00

**Optional Certificate**

Accredited	Non-Accredited
\$130.00	\$85.00
\$130.00	\$85.00
\$130.00	\$85.00
\$130.00	\$85.00
\$105.00	\$70.00
\$105.00	\$70.00
\$55.00	\$45.00
\$55.00	\$45.00
\$55.00	\$45.00
\$55.00	\$45.00
\$55.00	\$45.00
\$55.00	\$45.00
\$55.00	\$45.00
\$55.00	\$45.00
\$55.00	\$45.00
\$55.00	\$45.00



*Kits Include a Single Weight with Case and Glove*

**Replacement Cases**

Main Cases		
Class 1 and 2		
Nominal Value	Part #	Price
10 lb	197473	\$240.00
5 lb	190269	\$40.50
4 lb	190267	\$40.50
3 lb	190263	\$40.50
2 lb	190260	\$40.50
1 lb	189710	\$40.50
8 oz	189635	\$40.50
4 oz	189568	\$44.50
2 oz	189565	\$44.50

Main Cases		
Class 1 and 2		
Nominal Value	Part #	Price
1 oz	189484	\$44.50
1/2 oz	189476	\$44.50
0.5 lb	189635	\$40.50
0.2 lb	190126	\$40.50
0.1 lb	189507	\$44.50
0.05 lb	189483	\$44.50

**Accessories**

Description	Part #	Price
Statement of Accuracy	36092	\$47.50
Weight glove, white cotton	11714	\$7.25
Vinyl glove	11773	\$3.50
Serial number	25836	\$17.00





**STAINLESS STEEL / AVOIRDUPOIS SINGLE WEIGHTS**

**Range: 50 lb – 10 lb**

**Class 5**  
Grip-handle

**Optional Certificate**

Weight	Part #	Height	Diameter	Price	Accredited
50 lb	<b>12677</b>	6-21/32 in (169 mm)	6 in (152 mm)	\$1,020.00	\$80.00
30 lb	<b>12676</b>	6-11/16 in (170 mm)	5 in (127 mm)	\$775.00	\$80.00
25 lb	<b>12675</b>	5-3/4 in (146 mm)	5 in (127 mm)	\$650.00	\$80.00
20 lb	<b>12674</b>	4-27/32 in (123 mm)	5 in (127 mm)	\$600.00	\$80.00
10 lb	<b>12673</b>	3-1/32 in (77 mm)	5 in (127 mm)	\$360.00	\$80.00

**CALIBRATION WEIGHTS  
STAINLESS FIELD**



**Accessories**

Description	Part #	Price
Statement of Accuracy	<b>36092</b>	\$47.50
Serial number	<b>25836</b>	\$17.00

STAINLESS STEEL / AVOIRDUPOIS SINGLE WEIGHTS

Range: 10 lb – 0.001 lb

**Class 5**  
Cylindrical

**Optional Certificate**

Weight	Part #	Height	Diameter	Price	Accredited
10 lb	12606	4-1/16 in (103 mm)	3-1/2 in (88 mm)	\$250.00	\$80.00
5 lb	12604	3-11/16 in (93 mm)	2-5/8 in (66 mm)	\$160.00	\$80.00
4 lb	12602	3-1/16 in (77 mm)	2-5/8 in (66 mm)	\$155.00	\$80.00
3 lb	12600	2-15/16 in (74 mm)	2-1/4 in (57 mm)	\$150.00	\$80.00
2 lb	12598	2-15/32 in (63 mm)	2 in (51 mm)	\$83.00	\$65.00
1 lb	12596	2-9/32 in (58 mm)	1-1/2 in (38 mm)	\$72.00	\$65.00
12 oz	12626	2-1/16 in (52 mm)	1-3/8 in (35 mm)	\$66.00	\$40.00
8 oz	12594	1-21/32 in (42 mm)	1-1/4 in (32 mm)	\$57.00	\$40.00
4 oz	12592	1-11/32 in (34 mm)	1 in (25 mm)	\$51.00	\$40.00
2 oz	12590	15/16 in (24 mm)	13/16 in (21 mm)	\$49.00	\$40.00
1 oz	12587	13/16 in (20 mm)	5/8 in (16 mm)	\$45.50	\$40.00
1/2 oz	12584	21/32 in (17 mm)	1/2 in (13 mm)	\$45.50	\$40.00
1/4 oz	12581	5/8 in (16 mm)	3/8 in (10 mm)	\$39.50	\$40.00
1/8 oz	12578	7/16 in (11 mm)	5/16 in (8 mm)	\$39.50	\$40.00
1/16 oz	12575	3/8 in (10 mm)	1/4 in (6 mm)	\$39.50	\$40.00
1/32 oz	12608	11/32 in (9 mm)	3/16 in (5 mm)	\$39.50	\$40.00
0.5 oz	12647	21/32 in (17 mm)	1/2 in (13 mm)	\$45.50	\$40.00
0.3 oz	12645	17/32 in (14 mm)	7/16 in (11 mm)	\$45.50	\$40.00
0.2 oz	12643	1/2 in (13 mm)	3/8 in (9 mm)	\$45.50	\$40.00
0.1 oz	12641	3/8 in (9 mm)	5/16 in (8 mm)	\$45.50	\$40.00
0.05 oz	12639	5/16 in (7 mm)	1/4 in (6 mm)	\$45.50	\$40.00
0.5 lb	12624	1-21/32 in (42 mm)	1 1/4 in (32 mm)	\$57.00	\$40.00
0.3 lb	12622	1-3/16 in (30 mm)	1 1/8 in (28 mm)	\$57.00	\$40.00
0.2 lb	12610	1-7/32 in (31 mm)	15/16 in (24 mm)	\$49.00	\$40.00
0.1 lb	12612	7/8 in (22 mm)	3/4 in (19 mm)	\$49.00	\$40.00
0.05 lb	12614	23/32 in (18 mm)	19/32 in (15 mm)	\$49.00	\$40.00
0.03 lb	12620	5/8 in (16 mm)	1/2 in (12 mm)	\$49.00	\$40.00
0.02 lb	12616	9/16 in (14 mm)	7/16 in (11 mm)	\$49.00	\$40.00
0.01 lb	12618	17/32 in (14 mm)	5/16 in (8 mm)	\$49.00	\$40.00
0.005 lb	198340	7/16 in (11 mm)	15/64 in (6 mm)	\$45.50	\$40.00
0.003 lb	198344	7/64 in (7 mm)	15/64 in (6 mm)	\$45.50	\$40.00
0.002 lb	198341	21/64 in (9 mm)	11/64 in (4 mm)	\$45.50	\$40.00
0.001 lb	198343	3/16 in (5 mm)	11/64 in (4 mm)	\$45.50	\$40.00

CALIBRATION WEIGHTS  
STAINLESS FIELD



**Replacement Cases**

Main Cases		
Class 5		
Nominal Vaule	Part #	Price
10 lb	197473	\$240.00
5 lb	190269	\$40.50
4 lb	190267	\$40.50
3 lb	190263	\$40.50
2 lb	190260	\$40.50
1 lb	189710	\$40.50
12 oz	189636	\$40.50
8 oz	189635	\$40.50
4 oz	189567	\$44.50
2 oz	189565	\$44.50
1 oz	189484	\$44.50
1/2 oz	189476	\$44.50
1/4 oz	194054	\$42.00
1/8 oz	194032	\$42.00
1/16 oz	189234	\$44.50
1/32 oz	190126	\$40.50
0.5 oz	189476	\$44.50

Main Cases		
Class 5		
Nominal Vaule	Part #	Price
0.3 oz	189350	\$44.50
0.2 oz	194054	\$42.00
0.1 oz	194032	\$42.00
0.05 oz	189234	\$44.50
0.5 lb	189635	\$40.50
0.3 lb	189644	\$40.50
0.2 lb	190126	\$40.50
0.1 lb	189506	\$44.50
0.05 lb	190126	\$40.50
0.03 lb	189476	\$44.50
0.02 lb	189350	\$44.50
0.01 lb	194031	\$165.00
0.005 lb	Consult	Consult
0.003 lb	Consult	Consult
0.002 lb	Consult	Consult
0.001 lb	Consult	Consult

**Accessories**

Description	Part #	Price
Statement of Accuracy	36092	\$47.50
Serial number	25836	\$17.00



**STAINLESS STEEL / METRIC SETS**

**Range: 5 g and 50 g**

**Class 5**

Set Range	Part #	Price
5 g - 1 mg	<b>12548</b>	\$210.00
50 g - 1 mg	<b>12504</b>	\$265.00
50 g - 10 mg	<b>12502</b>	\$245.00
50 g - 1 g	<b>12500</b>	\$200.00
(2) 50 g - 1 mg	<b>12550</b>	\$385.00

**Optional Certificate**

Accredited
\$240.00
\$475.00
\$380.00
\$190.00
\$475.00

**Weight Set Contents**

5 g - 1 mg	50 g - 1 mg	(2) 50 g - 1 mg	50 g - 10 mg	50 g - 1 g
12548	12504	12550	12502	12500
-	(1) 50 g	(2) 50 g	(1) 50 g	(1) 50 g
-	-	(1) 30 g	-	-
-	(2) 20 g	(1) 20 g	(2) 20 g	(2) 20 g
-	(1) 10 g	(1) 10 g	(1) 10 g	(1) 10 g
(1) 5 g	(1) 5 g	(1) 5 g	(1) 5 g	(1) 5 g
(1) 3 g	-	(1) 3 g	-	-
(1) 2 g	(2) 2 g	(1) 2 g	(2) 2 g	(2) 2 g
(1) 1 g	(1) 1 g	(1) 1 g	(1) 1 g	(1) 1 g
(1) 500 mg	(1) 500 mg	(1) 500 mg	(1) 500 mg	
(1) 300 mg	-	(1) 300 mg	-	
(1) 200 mg	(2) 200 mg	(1) 200 mg	(2) 200 mg	
(1) 100 mg	(1) 100 mg	(1) 100 mg	(1) 100 mg	
(1) 50 mg	(1) 50 mg	(1) 50 mg	(1) 50 mg	
(1) 30 mg	-	(1) 30 mg	-	
(1) 20 mg	(2) 20 mg	(1) 20 mg	(2) 20 mg	
(1) 10 mg	(1) 10 mg	(1) 10 mg	(1) 10 mg	
(1) 5 mg	(1) 5 mg	(1) 5 mg		
(1) 3 mg	-	(1) 3 mg		
(1) 2 mg	(2) 2 mg	(1) 2 mg		
(1) 1 mg	(1) 1 mg	(1) 1 mg		
<b>16 pcs.</b> <b>12.221g set wt.</b>	<b>20 pcs.</b> <b>111.11g set wt.</b>	<b>21 pcs.</b> <b>172.221g set wt.</b>	<b>16 pcs.</b> <b>111.1g set wt.</b>	<b>8 pcs.</b> <b>110.000 g set wt.</b>



**CALIBRATION WEIGHTS  
STAINLESS FIELD**

**Replacement Cases**

Main Cases		
Class 5		
Set Range	Part #	Price
5 g - 1 mg	<b>11510</b>	\$39.50
50 g - 1 mg	<b>11512</b>	\$39.50
50 g - 10 mg	<b>11512</b>	\$39.50
50 g - 1 g	<b>11512</b>	\$39.50
(2) 50 g - 1 mg	<b>11512</b>	\$39.50

Inserts		
Class 5 (leaf weight cover not included)		
Set Range	Part #	Price
50 g - 1 mg	<b>11517</b>	\$39.50
50 g - 10 mg	<b>11517</b>	\$39.50
50 g - 1 g	<b>11516</b>	\$39.50

**Accessories**

Description	Part #	Price
Statement of Accuracy	<b>36092</b>	\$47.50
Leaf weight cover	<b>11758</b>	\$45.50
Tweezer	<b>65640</b>	\$22.25
Serial number	<b>25836</b>	\$17.00
Premium tweezer	<b>152414</b>	\$45.50

# Range: 100 g

**Class 5**

**Optional Certificate**

Set Range	Part #	Price	Accredited
100 g - 1 mg	<b>12510</b>	\$280.00	\$505.00
100 g - 10 mg	<b>12508</b>	\$270.00	\$395.00
100 g - 1 g	<b>12506</b>	\$245.00	\$215.00

## Weight Set Contents

100 g - 1 mg	100 g - 10 mg	100 g - 1 g
12510	12508	12506
(1) 100 g	(1) 100 g	(1) 100 g
(1) 50 g	(1) 50 g	(1) 50 g
(2) 20 g	(2) 20 g	(2) 20 g
(1) 10 g	(1) 10 g	(1) 10 g
(1) 5 g	(1) 5 g	(1) 5 g
(2) 2 g	(2) 2 g	(2) 2 g
(1) 1 g	(1) 1 g	(1) 1 g
(1) 500 mg	(1) 500 mg	
(2) 200 mg	(2) 200 mg	
(1) 100 mg	(1) 100 mg	
(1) 50 mg	(1) 50 mg	
(2) 20 mg	(2) 20 mg	
(1) 10 mg	(1) 10 mg	
(1) 5 mg		
(2) 2 mg		
(1) 1 mg		
<b>21 pcs.</b> 211.11g set wt.	<b>17 pcs.</b> 211.19 g set wt.	<b>9 pcs.</b> 210.000 g set wt.

CALIBRATION WEIGHTS  
STAINLESS FIELD



PN 12506 100 g to 1 g

## Replacement Cases

Main Cases		
Class 5		
Set Range	Part #	Price
100 g - 1 mg	<b>11512</b>	\$39.50
100 g - 10 mg	<b>11512</b>	\$39.50
100 g - 1 g	<b>11512</b>	\$39.50

Inserts		
Class 5 (leaf weight cover not included)		
Set Range	Part #	Price
100 g - 1 mg	<b>11519</b>	\$39.50
100 g - 10 mg	<b>11519</b>	\$39.50
100 g - 1 g	<b>11518</b>	\$39.50

## Accessories

Description	Part #	Price
Statement of Accuracy	<b>36092</b>	\$47.50
Leaf weight cover	<b>11758</b>	\$45.50
Tweezer	<b>65640</b>	\$22.25
Serial number	<b>25836</b>	\$17.00
Premium tweezer	<b>152414</b>	\$45.50

**STAINLESS STEEL / METRIC SETS**

**Range: 500 g**

**Class 5**

Set Range	Part #	Price
500 g - 1mg	<b>12516</b>	\$515.00
500 g - 10 mg	<b>12514</b>	\$465.00
500 g - 1g	<b>12512</b>	\$410.00

**Optional Certificate**

Accredited
\$605.00
\$505.00
\$310.00

**Weight Set Contents**

500 g - 1 mg	500 g - 10 mg	500 g - 1 g
12516	12514	12512
(1) 500 g	(1) 500 g	(1) 500 g
(2) 200 g	(2) 200 g	(2) 200 g
(1) 100 g	(1) 100 g	(1) 100 g
(1) 50 g	(1) 50 g	(1) 50 g
(2) 20 g	(2) 20 g	(2) 20 g
(1) 10 g	(1) 10 g	(1) 10 g
(1) 5 g	(1) 5 g	(1) 5 g
(2) 2 g	(2) 2 g	(2) 2 g
(1) 1 g	(1) 1 g	(1) 1 g
(1) 500 mg	(1) 500 mg	
(2) 200 mg	(2) 200 mg	
(1) 100 mg	(1) 100 mg	
(1) 50 mg	(1) 50 mg	
(2) 20 mg	(2) 20 mg	
(1) 10 mg	(1) 10 mg	
(1) 5 mg		
(2) 2 mg		
(1) 1 mg		
<b>24 pcs.</b> 1.11111 kg set wt.	<b>20 pcs.</b> 1.1111 kg set wt.	<b>12 pcs.</b> 1.110 kg set wt.



**CALIBRATION WEIGHTS  
STAINLESS FIELD**

**Replacement Cases**

Main Cases		
Class 5		
Set Range	Part #	Price
500 g - 1mg	<b>11520</b>	\$77.00
500 g - 10 mg	<b>11520</b>	\$77.00
500 g - 1g	<b>11520</b>	\$77.00

Secondary Leatherette Case		
Class 5		
Set Range	Part #	Price
100 g - 1mg	<b>11512</b>	\$39.50
100 g - 10 mg	<b>11512</b>	\$39.50
100 g - 1g	<b>11512</b>	\$39.50

Inserts for Secondary Case		
Class 5 (leaf weight cover not included)		
Set Range	Part #	Price
100 g - 1mg	<b>11519</b>	\$39.50
100 g - 10 mg	<b>11519</b>	\$39.50
100 g - 1g	<b>11518</b>	\$39.50

**Accessories**

Description	Part #	Price
Statement of Accuracy	<b>36092</b>	\$47.50
Leaf weight cover	<b>11758</b>	\$45.50
Tweezer	<b>65640</b>	\$22.25
Serial number	<b>25836</b>	\$17.00
Premium tweezer	<b>152414</b>	\$45.50

STAINLESS STEEL / METRIC SETS

Range: 1 kg

Class 5

Set Range	Part #	Price
1 kg - 1 mg	12522	\$575.00
1 kg - 10 mg	12520	\$565.00
1 kg - 1 g	12518	\$525.00

Optional Certificate

Accredited
\$630.00
\$540.00
\$350.00

Weight Set Contents

1 kg - 1 mg	1 kg - 10 mg	1 kg - 1 g
12522	12520	12518
(1) 1kg	(1) 1kg	(1) 1kg
(1) 500 g	(1) 500 g	(1) 500 g
(2) 200 g	(2) 200 g	(2) 200 g
(1) 100 g	(1) 100 g	(1) 100 g
(1) 50 g	(1) 50 g	(1) 50 g
(2) 20 g	(2) 20 g	(2) 20 g
(1) 10 g	(1) 10 g	(1) 10 g
(1) 5 g	(1) 5 g	(1) 5 g
(2) 2 g	(2) 2 g	(2) 2 g
(1) 1 g	(1) 1 g	(1) 1 g
(1) 500 mg	(1) 500 mg	
(2) 200 mg	(2) 200 mg	
(1) 100 mg	(1) 100 mg	
(1) 50 mg	(1) 50 mg	
(2) 20 mg	(2) 20 mg	
(1) 10 mg	(1) 10 mg	
(1) 5 mg		
(2) 2 mg		
(1) 1 mg		
25 pcs. 2.11111 kg set wt.	21 pcs. 2.1111 kg set wt.	13 pcs. 2.11 kg set wt.

CALIBRATION WEIGHTS  
STAINLESS FIELD



PN 12518 1 kg to 1 g

Replacement Cases

Main Cases		
Class 5		
Set Range	Part #	Price
1 kg - 1 mg	11521	\$77.00
1 kg - 10 mg	11521	\$77.00
1 kg - 1 g	11521	\$77.00

Secondary Leatherette Case		
Class 5		
Set Range	Part #	Price
100 g - 1 mg	11512	\$39.50
100 g - 10 mg	11512	\$39.50
100 g - 1 g	11512	\$39.50

Inserts		
Class 5 (leaf weight cover not included)		
Set Range	Part #	Price
100 g - 1 mg	11519	\$39.50
100 g - 10 mg	11519	\$39.50
100 g - 1 g	11518	\$39.50

Accessories

Description	Part #	Price
Statement of Accuracy	36092	\$47.50
Leaf weight cover	11758	\$45.50
Tweezer	65640	\$22.25
Serial number	25836	\$17.00
Premium tweezer	152414	\$45.50

# Range: 2 kg

**Class 5**

Set Range	Part #	Price
2 kg - 1 mg	<b>12528</b>	\$695.00
(5) 2 kg - 1 mg	<b>12534</b>	\$1,100.00
2 kg - 10 mg	<b>12526</b>	\$660.00
(5) 2 kg - 10 mg	<b>12532</b>	\$1,100.00
2 kg - 1 g	<b>12524</b>	\$610.00
(5) 2 kg - 1 g	<b>12530</b>	\$1,020.00

**Optional Certificate**

Accredited
\$640.00
\$818.00
\$590.00
\$730.00
\$395.00
\$565.00

## Weight Set Contents

2 kg - 1 mg	(5) 2 kg - 1 mg	2 kg - 10 mg	(5) 2 kg - 10 mg	2 kg - 1 g	(5) 2 kg - 1 g
12528	12534	12526	12532	12524	12530
(1) 2 kg	(5) 2 kg	(1) 2 kg	(5) 2 kg	(1) 2 kg	(5) 2 kg
(1) 1kg	-	(1) 1kg	-	(1) 1kg	-
(1) 500 g	(5) 500 g	(1) 500 g	(5) 500 g	(1) 500 g	(5) 500 g
(2) 200 g	(2) 200 g	(2) 200 g	(2) 200 g	(2) 200 g	(2) 200 g
(1) 100 g	(1) 100 g	(1) 100 g	(1) 100 g	(1) 100 g	(1) 100 g
(1) 50 g	(1) 50 g	(1) 50 g	(1) 50 g	(1) 50 g	(1) 50 g
(2) 20 g	(2) 20 g	(2) 20 g	(2) 20 g	(2) 20 g	(2) 20 g
(1) 10 g	(1) 10 g	(1) 10 g	(1) 10 g	(1) 10 g	(1) 10 g
(1) 5 g	(1) 5 g	(1) 5 g	(1) 5 g	(1) 5 g	(1) 5 g
(2) 2 g	(2) 2 g	(2) 2 g	(2) 2 g	(2) 2 g	(2) 2 g
(1) 1g	(1) 1g	(1) 1g	(1) 1g	(1) 1g	(1) 1g
(1) 500 mg	(1) 500 mg	(1) 500 mg	(1) 500 mg		
(2) 200 mg	(2) 200 mg	(2) 200 mg	(2) 200 mg		
(1) 100 mg	(1) 100 mg	(1) 100 mg	(1) 100 mg		
(1) 50 mg	(1) 50 mg	(1) 50 mg	(1) 50 mg		
(2) 20 mg	(2) 20 mg	(2) 20 mg	(2) 20 mg		
(1) 10 mg	(1) 10 mg	(1) 10 mg	(1) 10 mg		
(1) 5 mg	(1) 5 mg				
(2) 2 mg	(2) 2 mg				
(1) 1 mg	(1) 1 mg				
<b>26 pc</b>	<b>33 pc</b>	<b>22 pc</b>	<b>29 pc</b>	<b>14 pc</b>	<b>21 pc</b>
<b>4.11111 kg set wt.</b>	<b>13.11111 kg set wt.</b>	<b>4.1111 kg set wt.</b>	<b>13.1111 kg set wt.</b>	<b>4.110 kg set wt.</b>	<b>13.11 kg set wt.</b>



PN 12528 2 kg to 1 mg

CALIBRATION WEIGHTS  
STAINLESS FIELD

## Replacement Cases

Main Cases		
Class 5		
Set Range	Part #	Price
2 kg - 1 mg	<b>11522</b>	\$190.00
(5) 2 kg - 1 mg	<b>11523</b>	\$265.00
2 kg - 10 mg	<b>11522</b>	\$190.00
(5) 2 kg - 10 mg	<b>11523</b>	\$265.00
2 kg - 1 g	<b>11522</b>	\$190.00
(5) 2 kg - 1 g	<b>11523</b>	\$265.00

Secondary Leatherette Case		
Class 5		
Set Range	Part #	Price
100 g - 1 mg	<b>11512</b>	\$39.50
100 g - 10 mg	<b>11512</b>	\$39.50
100 g - 1 g	<b>11512</b>	\$39.50

Inserts		
Class 5 (leaf weight cover not included)		
Set Range	Part #	Price
100 g - 1 mg	<b>11519</b>	\$39.50
100 g - 10 mg	<b>11519</b>	\$39.50
100 g - 1 g	<b>11518</b>	\$39.50

## Accessories

Description	Part #	Price
Statement of Accuracy	<b>36092</b>	\$47.50
Leaf weight cover	<b>11758</b>	\$45.50
Tweezer	<b>65640</b>	\$22.25
Serial number	<b>25836</b>	\$17.00
Premium tweezer	<b>152414</b>	\$45.50

# Range: 5 kg

**Class 5**

Set Range	Part #	Price
5 kg - 1 mg	<b>12537</b>	\$935.00
(2) 5 kg - 1 mg	<b>12542</b>	\$1,390.00
5 kg - 10 mg	<b>12536</b>	\$870.00
(2) 5 kg - 10 mg	<b>12539</b>	\$1,220.00
5 kg - 1 g	<b>12535</b>	\$825.00
(2) 5 kg - 1 g	<b>12538</b>	\$1,190.00
(3) 5 kg	<b>12562</b>	\$1,050.00

**Optional Certificate**

Accredited
\$780.00
\$800.00
\$680.00
\$710.00
\$490.00
\$520.00
\$220.00

## Weight Set Contents

5 kg - 1 mg	(2) 5 kg - 1 mg	5 kg - 10 mg	(2) 5 kg - 10 mg	5 kg - 1 g	(2) 5 kg - 1 g	(3) 5 kg
12537	12542	12536	12539	12535	12538	12562
(1) 5 kg	(2) 5 kg	(1) 5 kg	(2) 5 kg	(1) 5 kg	(2) 5 kg	(3) 5 kg
(2) 2 kg	(2) 2 kg	(2) 2 kg	(2) 2 kg	(2) 2 kg	(2) 2 kg	
(1) 1 kg	(1) 1 kg	(1) 1 kg	(1) 1 kg	(1) 1 kg	(1) 1 kg	
(1) 500 g	(5) 500 g	(1) 500 g	(5) 500 g	(1) 500 g	(5) 500 g	
(2) 200 g	(2) 200 g	(2) 200 g	(2) 200 g	(2) 200 g	(2) 200 g	
(1) 100 g	(1) 100 g	(1) 100 g	(1) 100 g	(1) 100 g	(1) 100 g	
(1) 50 g	(1) 50 g	(1) 50 g	(1) 50 g	(1) 50 g	(1) 50 g	
(2) 20 g	(2) 20 g	(2) 20 g	(2) 20 g	(2) 20 g	(2) 20 g	
(1) 10 g	(1) 10 g	(1) 10 g	(1) 10 g	(1) 10 g	(1) 10 g	
(1) 5 g	(1) 5 g	(1) 5 g	(1) 5 g	(1) 5 g	(1) 5 g	
(2) 2 g	(2) 2 g	(2) 2 g	(2) 2 g	(2) 2 g	(2) 2 g	
(1) 1 g	(1) 1 g	(1) 1 g	(1) 1 g	(1) 1 g	(1) 1 g	
(1) 500 mg	(1) 500 mg	(1) 500 mg	(1) 500 mg			
(2) 200 mg	(2) 200 mg	(2) 200 mg	(2) 200 mg			
(1) 100 mg	(1) 100 mg	(1) 100 mg	(1) 100 mg			
(1) 50 mg	(1) 50 mg	(1) 50 mg	(1) 50 mg			
(2) 20 mg	(2) 20 mg	(2) 20 mg	(2) 20 mg			
(1) 10 mg	(1) 10 mg	(1) 10 mg	(1) 10 mg			
(1) 5 mg	(1) 5 mg					
(2) 2 mg	(2) 2 mg					
(1) 1 mg	(1) 1 mg					
<b>28 pcs.</b> 11.11 kg set wt.	<b>33 pcs.</b> 18.11 kg set wt.	<b>24 pcs.</b> 11.111 kg set wt.	<b>29 pcs.</b> 18.1111 kg set wt.	<b>16 pcs.</b> 11.11 kg set wt.	<b>21 pcs.</b> 18.110 kg set wt.	<b>3 pcs.</b> 15 kg set wt.

CALIBRATION WEIGHTS  
STAINLESS FIELD



PN 12542 (2) 5 kg to 1 mg

## Replacement Cases

Main Cases		
Class 5		
Set Range	Part #	Price
5 kg - 1 mg	<b>11524</b>	\$265.00
(2) 5 kg - 1 mg	<b>11525</b>	\$265.00
5 kg - 10 mg	<b>11524</b>	\$265.00
(2) 5 kg - 10 mg	<b>11525</b>	\$265.00
5 kg - 1 g	<b>11524</b>	\$265.00
(2) 5 kg - 1 g	<b>11525</b>	\$265.00
(3) 5 kg	<b>11558</b>	\$265.00

Secondary Leatherette Case		
Class 5		
Set Range	Part #	Price
100 g - 1 mg	<b>11512</b>	\$39.50
100 g - 10 mg	<b>11512</b>	\$39.50
100 g - 1 g	<b>11512</b>	\$39.50

Inserts		
Class 5 (leaf weight cover not included)		
Set Range	Part #	Price
100 g - 1 mg	<b>11519</b>	\$39.50
100 g - 10 mg	<b>11519</b>	\$39.50
100 g - 1 g	<b>11518</b>	\$39.50

## Accessories

Description	Part #	Price
Statement of Accuracy	<b>36092</b>	\$47.50
Leaf weight cover	<b>11758</b>	\$45.50
Tweezer	<b>65640</b>	\$22.25
Serial number	<b>25836</b>	\$17.00
Premium tweezer	<b>152414</b>	\$45.50



**STAINLESS STEEL / AVOIRDUPOIS SET**

**Range: 4 oz**

**Class 5**

Set Range	Part #	Price
4 oz - 1/32 oz	<b>12623</b>	\$230.00
4 oz - 0.05 oz	<b>12625</b>	\$250.00
0.2 lb - 0.001 lb	<b>12576</b>	\$240.00
0.3 lb - 0.001 lb	<b>12654</b>	\$535.00

**Optional Certificate**

Accredited
\$215.00
\$195.00
\$260.00
\$260.00

**Weight Set Contents**

4 oz - 1/32 oz	4 oz - 0.05 oz	0.2 lb - 0.001 lb	0.3 lb - 0.001 lb
12623	12625	12576	12654
(1) 4 oz	(1) 4 oz	–	(1) 0.3 lb
(1) 2 oz	(1) 2 oz	(2) 0.2 lb	(1) 0.2 lb
(1) 1 oz	(1) 1 oz	(1) 0.1 lb	(1) 0.1 lb
(1) 1/2 oz	(1) 0.5 oz	(1) 0.05 lb	(1) 0.05 lb
(1) 1/4 oz	(1) 0.2 oz	–	(1) 0.03 lb
(1) 1/8 oz	(1) 0.1 oz	(2) 0.02 lb	(1) 0.02 lb
(1) 1/16 oz	(1) 0.05 oz	(1) 0.01 lb	(1) 0.01 lb
(2) 1/32 oz		(1) 0.005 lb	(1) 0.005 lb
		–	(1) 0.003 lb
		(2) 0.002 lb	(1) 0.002 lb
		(1) 0.001 lb	(1) 0.001 lb
<b>9 pcs.</b> 1/2 lb set wt.	<b>8 pcs.</b> 1 lb 0.05 oz set wt.	<b>11 pcs.</b> 0.61 lb set wt.	<b>11 pcs.</b> 0.722 lb set wt.

**CALIBRATION WEIGHTS  
STAINLESS FIELD**



PN 12623 4 oz to 1/32 oz

**Replacement Cases**

Main Cases		
Class 5		
Set Size	Part #	Price
4 oz - 1/32 oz	<b>11510</b>	\$39.50
4 oz - 0.05 oz	<b>11510</b>	\$39.50
0.2 lb - 0.001 lb	<b>11512</b>	\$39.50
0.3 lb - 0.001 lb	<b>200180</b>	\$42.00

Inserts		
Class 5		
Size	Part #	Price
4 oz - 1/32 oz	<b>11552</b>	\$28.00
4 oz - 0.05 oz	<b>11553</b>	\$28.00
0.2 oz - 0.001 lb	<b>200160</b>	\$42.00

**Accessories**

Description	Part #	Price
Statement of Accuracy	<b>36092</b>	\$47.50
Serial number	<b>25836</b>	\$17.00

# Range: 1 lb

**Class 5**

**Optional Certificate**

Set Range	Part #	Price	Accredited
1 lb - 1/32 oz (fractional)	<b>12591</b>	\$365.00	\$280.00
1 lb - 0.001 lb (decimal)	<b>12593</b>	\$430.00	\$330.00
1 lb - 0.05 oz (combination)	<b>12595</b>	\$390.00	\$255.00

## Weight Set Contents

1 lb - 1/32 oz	1 lb - 0.001 lb	1 lb - 0.05 oz
12591	12593	12595
(1) 1 lb	(1) 1 lb	(1) 1 lb
(1) 8 oz	(1) 0.5 lb	(1) 8 oz
(1) 4 oz	(2) 0.2 lb	(1) 4 oz
(1) 2 oz	(1) 0.1 lb	(1) 2 oz
(1) 1 oz	(1) 0.05 lb	(1) 1 oz
(1) 1/2 oz	(2) 0.02 lb	(1) 0.5 oz
(1) 1/4 oz	(1) 0.01 lb	(2) 0.2 oz
(1) 1/8 oz	(1) 0.005 lb	(1) 0.1 oz
(1) 1/16 oz	(2) 0.002 lb	(1) 0.05 oz
(2) 1/32 oz	(1) 0.001 lb	
<b>11 pcs.</b> 2 lb set wt.	<b>13 pcs.</b> 2.1110 lb set wt.	<b>10 pcs.</b> 1.990625 lb set wt.

CALIBRATION WEIGHTS  
STAINLESS FIELD



PN 12591 1 lb to 1/32 oz

## Replacement Cases

Main Cases		
Class 5		
Set Range	Part #	Price
1 lb - 1/32 oz (fractional)	<b>11544</b>	\$83.00
1 lb - 0.001 lb (decimal)	<b>11544</b>	\$83.00
1 lb - 0.05 oz (combination)	<b>11544</b>	\$83.00

Secondary Leatherette Cases		
Class 5		
Set Range	Part #	Price
1 lb - 1/32 oz	<b>11510</b>	\$39.50
1 lb - 0.001 lb	<b>11512</b>	\$39.50
1 lb - 0.05 oz	<b>11510</b>	\$39.50

Inserts		
Class 5		
Set Range	Part #	Price
1 lb - 1/32 oz	<b>11552</b>	\$28.00
1 lb - 0.001 lb	<b>11553</b>	\$28.00
1 lb - 0.05 oz	<b>200160</b>	\$42.00

## Accessories

Description	Part #	Price
Statement of Accuracy	<b>36092</b>	\$47.50
Serial number	<b>25836</b>	\$17.00

# Range: 2 lb

**Class 5**

Set Size	Part #	Price
2 lb - 1/32 oz (fractional)	<b>12597</b>	\$480.00
(2) 2 lb - 1/32 oz (fractional)	<b>12603</b>	\$620.00
2 lb - 0.001 lb (decimal)	<b>12599</b>	\$495.00
(2) 2 lb - 0.001 lb (decimal)	<b>12605</b>	\$620.00
2 lb - 0.05 oz (decimal)	<b>12601</b>	\$525.00
(2) 2 lb - 0.05 oz (decimal)	<b>12607</b>	\$620.00

**Optional Certificate**

Accredited
\$325.00
\$365.00
\$365.00
\$415.00
\$270.00
\$310.00

## Weight Set Contents

2 lb - 1/32 oz	(2) 2 lb - 1/32 oz	2 lb - 0.001 lb	(2) 2 lb - 0.001 lb	2 lb - 0.05 oz	(2) 2 lb - 0.05 oz
12597	12603	12599	12605	12601	12607
(1) 2 lb	(2) 2 lb	(1) 2 lb	(2) 2 lb	(1) 2 lb	(2) 2 lb
(1) 1 lb	(1) 1 lb	(1) 1 lb	(1) 1 lb	(1) 1 lb	(1) 1 lb
(1) 8 oz	(1) 8 oz	(1) 0.5 lb	(1) 0.5 lb	(1) 8 oz	(1) 8 oz
(1) 4 oz	(1) 4 oz	(2) 0.2 lb	(2) 0.2 lb	(1) 4 oz	(1) 4 oz
(1) 2 oz	(1) 2 oz	(1) 0.1 lb	(1) 0.1 lb	(1) 2 oz	(1) 2 oz
(1) 1 oz	(1) 1 oz	(1) 0.05 lb	(1) 0.05 lb	(1) 1 oz	(1) 1 oz
(1) 1/2 oz	(1) 1/2 oz	(2) 0.02 lb	(2) 0.02 lb	(1) 0.5 oz	(1) 0.5 oz
(1) 1/4 oz	(1) 1/4 oz	(1) 0.01 lb	(1) 0.01 lb	(2) 0.2 oz	(2) 0.2 oz
(1) 1/8 oz	(1) 1/8 oz	(1) 0.005 lb	(1) 0.005 lb	(1) 0.1 oz	(1) 0.1 oz
(1) 1/16 oz	(1) 1/16 oz	(2) 0.002 lb	(2) 0.002 lb	(1) 0.05 oz	(1) 0.05 oz
(2) 1/32 oz	(2) 1/32 oz	(1) 0.001 lb	(1) 0.001 lb		
<b>12 pcs.</b> 4 lb set wt.	<b>13 pcs.</b> 6 lb set wt.	<b>14 pcs.</b> 4.108 lb set wt.	<b>15 pcs.</b> 6.1100 lb set wt.	<b>11 pcs.</b> 4.7875 lb set wt.	<b>12 pcs.</b> 6 lb 0.05 oz set wt.

CALIBRATION WEIGHTS  
STAINLESS FIELD



PN 12599 2 lb - 0.001 lb

## Replacement Cases

Main Cases		
Class 5		
Set Size	Part #	Price
2 lb - 1/32 oz (fractional)	<b>11547</b>	\$83.00
(2) 2 lb - 1/32 oz (fractional)	<b>11548</b>	\$83.00
2 lb - 0.001 lb (decimal)	<b>11547</b>	\$83.00
(2) 2 lb - 0.001 lb (decimal)	<b>11548</b>	\$83.00
2 lb - 0.05 oz (decimal)	<b>11547</b>	\$83.00
(2) 2 lb - 0.05 oz (decimal)	<b>11548</b>	\$83.00

Secondary Leatherette Cases		
Class 5		
Size	Part #	Price
4 oz - 1/32 oz	<b>11510</b>	\$39.50
0.2 lb - 0.001 lb	<b>11512</b>	\$39.50
4 oz - 0.05 oz	<b>11510</b>	\$39.50

Inserts		
Class 5		
Size	Part #	Price
2 lb - 1/32 oz	<b>11552</b>	\$28.00
2 lb - 0.001 lb	<b>11553</b>	\$28.00
2 lb - 0.05 oz	<b>200160</b>	\$42.00

## Accessories

Description	Part #	Price
Statement of Accuracy	<b>36092</b>	\$47.50
Serial number	<b>25836</b>	\$17.00

# Range: 5 lb

**Class 5**

**Optional Certificate**

Set Range	Part #	Price	Accredited
5 lb - 1/32 oz	<b>12615</b>	\$610.00	\$410.00
(5) 5 lb - 1/32 oz	<b>12579</b>	\$1,250.00	\$700.00
5 lb - 0.001 lb	<b>12617</b>	\$615.00	\$460.00
(5) 5 lb - 0.001 lb (combination)	<b>12582</b>	\$1,290.00	\$755.00
(5) 5 lb - 0.001 lb	<b>12634</b>	\$1,290.00	\$755.00
5 lb - 0.05 oz (combination)	<b>12619</b>	\$630.00	\$385.00
(5) 5 lb - 0.05 oz (combination)	<b>12636</b>	\$1,210.00	\$650.00
(3) 5 lb - 1 gr (21 lb fractional U.S. Postal Service)	<b>12627</b>	\$1,280.00	\$790.00
(5) 5 lb - 1 gr (31 lb 55 gr)	<b>12661</b>	\$1,460.00	\$920.00
5 lb x (6) (30 lb)	<b>12640</b>	\$1,130.00	\$470.00

CALIBRATION WEIGHTS  
STAINLESS FIELD

## Weight Set Contents

5 lb - 1/32 oz	(5) 5 lb - 1/32 oz	5 lb - 0.001 lb	(5) 5 lb - 0.001 lb	(5) 5 lb - 0.001 lb	5 lb - 0.05 oz	(5) 5 lb - 0.05 oz
12615	12579	12617	12582	12634	12619	12636
(1) 5 lb	(5) 5 lb	(1) 5 lb	(5) 5 lb	(5) 5 lb	(1) 5 lb	(5) 5 lb
(2) 2 lb	-	(2) 2 lb	-	-	(2) 2 lb	-
(1) 1 lb	(5) 1 lb	(1) 1 lb	(5) 1 lb	(5) 1 lb	(1) 1 lb	(5) 1 lb
(1) 8 oz	(1) 8 oz	(1) 0.5 lb	(1) 8 oz	(1) 0.5 lb	(1) 8 oz	(1) 8 oz
(1) 4 oz	(1) 4 oz	(2) 0.2 lb	(1) 4 oz	(2) 0.2 lb	(1) 4 oz	(1) 4 oz
(1) 2 oz	(1) 2 oz	(1) 0.1 lb	(2) 0.2 lb	(1) 0.1 lb	(1) 2 oz	(1) 2 oz
(1) 1 oz	(1) 1 oz	(1) 0.05 lb	(1) 2 oz	(1) 0.05 lb	(1) 1 oz	(1) 1 oz
(1) 1/2 oz	(1) 1/2 oz	(2) 0.02 lb	(1) 0.1 lb	(2) 0.02 lb	(1) 0.5 oz	(1) 0.5 oz
(1) 1/4 oz	(1) 1/4 oz	(1) 0.01 lb	(1) 1 oz	(1) 0.01 lb	(2) 0.2 oz	(2) 0.2 oz
(1) 1/8 oz	(1) 1/8 oz	(1) 0.005 lb	(1) 0.05 lb	(1) 0.005 lb	(1) 0.1 oz	(1) 0.1 oz
(1) 1/16 oz	(1) 1/16 oz	(2) 0.002 lb	(1) 1/2 oz	(2) 0.002 lb	(1) 0.05 oz	(1) 0.05 oz
(2) 1/32 oz	(2) 1/32 oz	(1) 0.001 lb	(2) 0.02 lb	(1) 0.001 lb		
			(1) 1/4 oz			
			(1) 0.01 lb			
			(1) 1/8 oz			
			(1) 0.005 lb			
			(1) 1/16 oz			
			(2) 0.002 lb			
			(2) 1/32 oz			
			(1) 0.001 lb			
<b>14 pcs.</b> 11 lb set wt.	<b>20 pcs.</b> 31 lb set wt.	<b>16 pcs.</b> 11.1 lb set wt.	<b>31 pcs.</b> 31.6 lb set wt.	<b>22 pcs.</b> 31.1 lb set wt.	<b>13 pcs.</b> 11 lb 0.05 oz set wt.	<b>19 pcs.</b> 31 lb 0.05 oz set wt.

## Replacement Cases

Main Cases		
Class 5		
Set Range	Part #	Price
5 lb - 1/32 oz	<b>11550</b>	\$260.00
(5) 5 lb - 1/32 oz	<b>11542</b>	\$260.00
5 lb - 0.001 lb	<b>11550</b>	\$260.00
(5) 5 lb - 0.001 lb (combination)	<b>11542</b>	\$260.00
(5) 5 lb - 0.001 lb	<b>11542</b>	\$260.00
5 lb - 0.05 oz (combination)	<b>11550</b>	\$260.00
5 lb - 0.05 oz (combination)	<b>11542</b>	\$260.00
(3) 5 lb - 1 gr (21 lb fractional U.S. Postal Service)	<b>11554</b>	\$260.00

Main Cases		
Class 5		
Set Range	Part #	Price
(5) 5 lb - 1 gr (31 lb 55 gr)	<b>11570</b>	\$260.00
5 lb x (6) (30 lb)	<b>11559</b>	\$260.00

Secondary Leatherette Cases		
Class 5		
Set Range	Part #	Price
5 lb - 1/32 oz	<b>11510</b>	\$39.50
(5) 5 lb - 1/32 oz	<b>11510</b>	\$39.50
5 lb - 0.001 lb	<b>11512</b>	\$39.50

Secondary Leatherette Cases		
Class 5		
Set Range	Part #	Price
(5) 5 lb - 0.001 lb (combination)	<b>11510 and 11512</b>	\$39.50
(5) 5 lb - 0.001 lb	<b>11512</b>	\$39.50
5 lb - 0.05 oz	<b>11510</b>	\$39.50
(5) 5 lb - 0.05 oz	<b>11510</b>	\$39.50
(3) 5 lb - 1 gr	<b>11510</b>	\$39.50

# Range: 5 lb



PN 12582 5 lb to 0.001 lb

CALIBRATION WEIGHTS  
STAINLESS FIELD

(3) 5 lb - 1 gr	(5) 5 lb - 1 gr	(6) 5 lb
12627	12661	12640
(3) 5 lb	(5) 5 lb	(6) 5 lb
(5) 1 lb	(5) 1 lb	
(1) 8 oz	(1) 8 oz	
(1) 4 oz	(1) 4 oz	
(1) 2 oz	(1) 2 oz	
(1) 1 oz	(1) 1 oz	
(1) 1/2 oz	(1) 1/2 oz	
(1) 1/4 oz	(1) 1/4 oz	
(1) 1/8 oz	(1) 1/8 oz	
(1) 1/16 oz	(1) 1/16 oz	
(2) 1/32 oz	(2) 1/32 oz	
(2) 10 gr	(1) 20 gr	
(2) 5 gr	(2) 10 gr	
(2) 2 gr	(2) 5 gr	
(1) 1 gr	(2) 2 gr	
	(1) 1 gr	
25 pcs. 21lb 55gr set wt.	28 pcs. 31lb 55gr set wt.	6 pcs. 30lb set wt.

## Accessories

Inserts		
Class 5		
Size	Part #	Price
5 lb - 1/32 oz	<b>11552</b>	\$28.00
(5) 5 lb - 1/32 oz	<b>11552</b>	\$28.00
5 lb - 0.001lb	<b>200160</b>	\$42.00
(5) 5 lb - 0.001lb (combination)	<b>200160</b>	\$42.00
(5) 5 lb - 0.001lb	<b>200160</b>	\$42.00
5 lb - 0.05 oz	<b>11553</b>	\$28.00
(5) 5 lb - 0.05 oz	<b>11553</b>	\$28.00
(3) 5 lb - 1gr	<b>11552</b>	\$28.00

Description	Part #	Price
Statement of Accuracy	<b>36092</b>	\$47.50
Serial number	<b>25836</b>	\$17.00

# Range: 10 lb

CALIBRATION WEIGHTS  
STAINLESS FIELD

**Class 5**

**Optional Certificate**

Set Range	Part #	Price	Accredited
(3) 10 lb	<b>12638</b>	\$975.00	\$235.00
10 lb - 1/32 oz	<b>12609</b>	\$890.00	\$465.00
10 lb - 0.001lb	<b>12611</b>	\$875.00	\$510.00
10 lb - 0.05 oz (21lb x 0.05 oz)	<b>12613</b>	\$945.00	\$415.00
10 lb - 1/4 oz	<b>12573</b>	\$1,380.00	\$475.00
10 lb - 1/32 oz	<b>12642</b>	\$1,280.00	\$465.00
10 lb - 0.001lb	<b>12588</b>	\$1,530.00	\$780.00
10 lb - 0.001lb	<b>12644</b>	\$1,210.00	\$510.00
10 lb - 0.001lb (combination)	<b>12648</b>	\$1,440.00	\$555.00
10 lb - 0.05 oz (combination)	<b>12646</b>	\$1,370.00	\$415.00
10 lb - 1/32 oz	<b>12628</b>	\$1,650.00	\$755.00
10 lb - 0.001lb	<b>12621</b>	\$1,810.00	\$800.00
10 lb - 0.05 oz (combination)	<b>12632</b>	\$1,840.00	\$725.00
10 lb - 0.001lb (51.61lb combination)	<b>12650</b>	\$1,860.00	\$800.00

**Weight Set Contents**

(3) 10 lb	10 lb - 1/32 oz	10 lb - 0.001 lb	10 lb - 0.05 oz	10 lb - 1/4 oz	10 lb - 1/32 oz	10 lb - 0.001 lb	10 lb - 0.001 lb	10 lb - 0.001 lb
12638	12609	12611	12613	12573	12642	12588	12644	12648
(3) 10 lb	(1) 10 lb (1) 5 lb (2) 2 lb (1) 1 lb (1) 8 oz (1) 4 oz (1) 2 oz (1) 1 oz (1) 1/2 oz (1) 1/4 oz (1) 1/8 oz (1) 1/16 oz (2) 1/32 oz	(1) 10 lb (1) 5 lb (2) 2 lb (1) 1 lb (1) 0.5 lb (2) 0.2 lb (1) 0.1 lb (1) 0.05 lb (2) 0.02 lb (1) 0.01 lb (1) 0.005 lb (2) 0.002 lb (1) 0.001 lb	(1) 10 lb (1) 5 lb (2) 2 lb (1) 1 lb (1) 8 oz (1) 4 oz (1) 2 oz (1) 1 oz (1) 0.5 oz (1) 0.2 oz (1) 0.1 oz (1) 0.05 oz	(2) 10 lb (1) 5 lb (5) 1 lb (3) 4 oz (3) 1 oz (2) 1/2 oz (2) 1/4 oz	(2) 10 lb (1) 5 lb (2) 2 lb (1) 1 lb (1) 8 oz (1) 4 oz (1) 2 oz (1) 1 oz (1) 1/2 oz (1) 1/4 oz (1) 1/8 oz (1) 1/16 oz (2) 1/32 oz	(2) 10 lb (1) 5 lb (5) 1 lb (3) 4 oz (2) 0.2 lb (1) 0.1 lb (3) 1 oz (1) 0.05 lb (2) 1/2 oz (2) 0.02 lb (2) 1/4 oz (1) 0.01 lb (1) 0.005 lb (2) 0.002 lb (1) 0.001 lb	(2) 10 lb (1) 5 lb (2) 2 lb (1) 1 lb (1) 0.5 lb (2) 0.2 lb (1) 0.1 lb (1) 0.05 lb (2) 0.02 lb (1) 0.01 lb (1) 0.005 lb (2) 0.002 lb (1) 0.001 lb	(2) 10 lb (1) 5 lb (2) 2 lb (1) 1 lb (1) 8 oz (1) 4 oz (1) 2 oz (1) 1 oz (1) 1/2 oz (1) 1/4 oz (1) 1/8 oz (1) 1/16 oz (2) 1/32 oz (2) 0.2 lb (1) 0.1 lb (1) 0.05 lb (2) 0.02 lb (1) 0.01 lb (1) 0.005 lb (2) 0.002 lb (1) 0.001 lb
3 pcs. 30 lb set wt.	15 pcs. 21 lb set wt.	17 pcs. 21.11 lb set wt.	13 pcs. 21 lb 0.05 oz set wt.	18 pcs. 31 lb 1/2 oz set wt.	16 pcs. 31 lb set wt.	29 pcs. 31 lb 1/2 oz set wt.	18 pcs. 31.100 lb set wt.	27 pcs. 31 lb set wt.

**Replacement Cases**

Main Cases		
Class 5		
Set Range	Part #	Price
(3) 10 lb	<b>11558</b>	\$265.00
10 lb - 1/32 oz	<b>11549</b>	\$260.00
10 lb - 0.001lb	<b>11549</b>	\$260.00
10 lb - 0.05 oz (21lb x 0.05 oz)	<b>11549</b>	\$260.00
10 lb - 1/4 oz	<b>11540</b>	\$260.00
10 lb - 1/32 oz	<b>11562</b>	\$260.00
10 lb - 0.001lb	<b>11543</b>	\$260.00
10 lb - 0.001lb	<b>11562</b>	\$260.00

Main Cases		
Class 5		
Set Range	Part #	Price
10 lb - 0.001lb (combination)	<b>11562</b>	\$260.00
10 lb - 0.05 oz (combination)	<b>11562</b>	\$260.00
10 lb - 1/32 oz	<b>11555</b>	\$260.00
10 lb - 0.001lb	<b>11555</b>	\$260.00
10 lb - 0.05 oz (combination)	<b>11555</b>	\$260.00
10 lb - 0.001lb (combination)	<b>11563</b>	\$260.00

Secondary Leatherette Cases		
Class 5		
Size	Part #	Price
10 lb - 0.001lb	<b>11512</b>	\$39.50
10 lb - 1/32 oz	<b>11510</b>	\$39.50

Inserts		
Class 5		
Size	Part #	Price
10 lb - 0.001lb	<b>200160</b>	\$42.00
10 lb - 1/32 oz	<b>11552</b>	\$28.00
10 lb - 0.05 oz	<b>11553</b>	\$28.00



Range: 10 lb



CALIBRATION WEIGHTS  
STAINLESS FIELD

10 lb - 0.05 oz	10 lb - 1/32 oz	10 lb - 0.001 lb	10 lb - 0.05 oz	10 lb - 0.001 lb
12646	12628	12621	12632	12650
(2) 10 lb	(3) 10 lb	(3) 10 lb	(3) 10 lb	(3) 10 lb
(1) 5 lb	(3) 5 lb	(3) 5 lb	(3) 5 lb	(3) 5 lb
(2) 2 lb	-	-	-	-
(1) 1 lb	(5) 1 lb	(5) 1 lb	(5) 1 lb	(5) 1 lb
(1) 8 oz	(1) 8 oz	(1) 0.5 lb	(1) 8 oz	(1) 8 oz
(1) 4 oz	(1) 4 oz	(2) 0.2 lb	(1) 4 oz	(1) 4 oz
(1) 2 oz	(1) 2 oz	(1) 0.1 lb	(1) 2 oz	(2) 0.2 lb
(1) 1 oz	(1) 1 oz	(1) 0.05 lb	(1) 1 oz	(1) 2 oz
(1) 0.5 oz	(1) 1/2 oz	(2) 0.02 lb	(1) 0.5 oz	(1) 0.1 lb
(2) 0.2 oz	(1) 1/4 oz	(1) 0.01 lb	(2) 0.20 oz	(1) 1 oz
(1) 0.1 oz	(1) 1/8 oz	(1) 0.005 lb	(1) 0.1 oz	(1) 0.05 lb
(1) 0.05 oz	(1) 1/16 oz	(2) 0.002 lb	(1) 0.05 oz	(1) 1/2 oz
	(2) 1/32 oz	(1) 0.001 lb		(2) 0.02 lb
				(1) 1/4 oz
				(1) 0.01 lb
				(1) 1/8 oz
				(1) 0.005 lb
				(1) 1/16 oz
				(2) 0.002 lb
				(2) 1/32 oz
				(1) 0.001 lb
<b>15 pcs.</b> 31lb 0.05oz set wt.	<b>21 pcs.</b> 51lb set wt.	<b>23 pcs.</b> 51.11lb set wt.	<b>20 pcs.</b> 51lb 0.05oz set wt.	<b>32 pcs.</b> 51.6100 lb set wt.

Accessories

Description	Part #	Price
Statement of Accuracy	<b>36092</b>	\$47.50
Leaf weight cover	<b>11758</b>	\$45.50
Tweezer	<b>65640</b>	\$22.25
Serial number	<b>25836</b>	\$17.00
Premium tweezer	<b>152414</b>	\$45.50

# Range: 3,000 lb – 1 lb

## ASTM

### Class 6

Grip-handle

### Optional Certificate

Weight	Part #	Length	Width	Height	Slot Width	Slot Depth*	Price	Accredited
3,000 lb	12872	20-3/4in (527 mm)	20-3/4in (527 mm)	29in (737 mm)	3-1/2in (89 mm)	2-3/4in (70 mm)	\$14,000.00	\$310.00
2,500 lb	12854	20-3/4in (527 mm)	20-3/4in (527 mm)	24-3/4in (629 mm)	3-31/32in (101 mm)	2-3/4in (70 mm)	\$12,800.00	\$235.00
2,000 lb	12868	20-3/4in (527 mm)	20-3/4in (527 mm)	19-1/2in (495 mm)	3-1/2in (89 mm)	2-3/4in (70 mm)	\$11,500.00	\$235.00
1,500 lb	12864	15-1/8in (384 mm)	15-1/8in (384 mm)	26-7/8in (683 mm)	2-1/2in (64 mm)	2-1/4in (57 mm)	\$9,000.00	\$235.00
1,250 lb	12858	15in (381 mm)	15in (381 mm)	23-3/4in (603 mm)	2-1/2in (64 mm)	2-1/4in (57 mm)	\$7,700.00	\$235.00
1,000 lb	12850	15-1/2in (394 mm)	15in (381 mm)	18-11/16in (478 mm)	2-3/4in (70 mm)	2-29/32in (74 mm)	\$5,000.00	\$235.00
500 lb	12844	12in (305 mm)	11-1/2in (292 mm)	15-3/4in (400 mm)	2-1/2in (64 mm)	1-29/32in (48 mm)	\$4,000.00	\$235.00
250 lb	12892	9-3/4in (248 mm)	9-3/4in (248 mm)	12in (305 mm)	2-1/2in (64 mm)	2in (51 mm)	\$2,600.00	\$235.00
200 lb	12890	9-3/4in (248 mm)	9-3/4in (248 mm)	10in (254 mm)	2-1/2in (64 mm)	2in (51 mm)	\$2,350.00	\$235.00
100 lb	12860	7in (178 mm)	9-1/8in (232 mm)	7-7/8in (200 mm)	4-1/2in (114 mm)	1-1/2in (38 mm)	\$660.00	\$105.00
50 lb	12839	5-1/2in (140 mm)	7-29/32in (201 mm)	6-9/16in (167 mm)	4-1/2in (114 mm)	1-21/32in (42 mm)	\$160.00	\$80.00
30 lb	12878	4-29/32in (125 mm)	8-1/4in (210 mm)	4-1/2in (114 mm)	4-15/32in (114 mm)	31/32in (25 mm)	\$210.00	\$80.00
25 lb	12833	4-1/2in (114 mm)	6-1/2in (165 mm)	4-15/16in (125 mm)	3-5/8in (92 mm)	31/32in (25 mm)	\$145.00	\$80.00
20 lb	12870	4-15/32in (114 mm)	5-3/4in (146 mm)	5-3/32in (129 mm)	3-31/32in (101 mm)	1-5/32in (29 mm)	\$115.00	\$80.00

### Class 7

### Optional Certificate

Weight	Part #	Length	Width	Height	Price	Accredited
10 lb	12828	3-1/4in (83 mm)	5in (127 mm)	4-1/32in (102 mm)	\$87.00	\$80.00
5 lb	12823	2-9/16in (65 mm)	4in (102 mm)	3-7/32in (82 mm)	\$67.00	\$80.00
2 lb	12874	2-1/8in (54 mm)	3in (76 mm)	1-3/4in (45 mm)	\$63.00	\$65.00
1 lb	12876	1-11/16in (43 mm)	2-1/2in (64 mm)	1-13/32in (38 mm)	\$58.00	\$65.00

### Class 6

Nesting Slab

### Optional Certificate

Weight	Part #	Length	Width	Height	Slot Width	Slot Depth*	Price	Accredited
2,500 lb	12860	30in (762 mm)	42in (1067 mm)	8-1/4in (210 mm)	2in (51 mm)	2-1/4in (57 mm)	\$9,350.00	\$235.00

\* Slot depth refers to distance between lifting bars and castings.

CALIBRATION WEIGHTS  
CAST IRON FIELD



PN 12860 Nesting Slab



PN 12839 Grip-handle

## Accessories

Description	Part #	Price
Statement of Accuracy	36092	\$47.50
Serial number	25836	\$17.00

CAST IRON / METRIC GRIP-HANDLE

Range: 1,000 kg – 500 g

ASTM

Class 6

Weight	Part #	Length	Width	Height	Slot Width	Slot Depth*	Price	Optional Certificate	
								Accredited	
1,000 kg	12801	20-1/2 in (521mm)	20-1/2 in (521mm)	22 in (559 mm)	3-1/2 in (89 mm)	2-3/4 in (70 mm)	\$12,000.00		\$310.00
500 kg	12797	15-1/8 in (384mm)	15-1/8 in (384mm)	20-3/4 in (527 mm)	2-1/2 in (64 mm)	2 in (51 mm)	\$7,700.00		\$235.00
250 kg	12782	12-1/2 in (318mm)	11-1/2 in (292mm)	17-1/2 in (445 mm)	2-1/2 in (64 mm)	1-7/8 in (48 mm)	\$4,300.00		\$235.00
200 kg	12793	12 in (305mm)	11-1/2 in (292mm)	14-1/4 in (362 mm)	2-1/2 in (64 mm)	1-7/8 in (48 mm)	\$4,000.00		\$235.00
100 kg	12817	9-7/8 in (251mm)	9-7/8 in (251mm)	11 in (279 mm)	2-1/2 in (64 mm)	2 in (51 mm)	\$2,500.00		\$235.00
50 kg	12803	7 in (178mm)	9-7/32 in (234 mm)	8-13/16 in (224 mm)	4-15/32 in (114 mm)	1-29/32 in (48 mm)	\$660.00		\$130.00
35 kg	12805	5-1/2 in (140 mm)	7-7/8 in (200 mm)	9-15/32 in (252 mm)	4-15/32 in (114 mm)	1-1/16 in (27 mm)	\$475.00		\$130.00
25 kg	12775	5-1/2 in (140 mm)	7-21/32 in (195 mm)	7-3/32 in (180 mm)	4-7/16 in (113 mm)	1-13/16 in (46 mm)	\$185.00		\$75.00
20 kg	12771	5-19/32 in (142 mm)	7-5/8 in (194 mm)	5-29/32 in (150 mm)	4-5/8 in (118 mm)	1-19/32 in (41 mm)	\$155.00		\$75.00
10 kg	12767	4-1/2 in (114 mm)	6 in (152 mm)	5 in (127 mm)	3-3/4 in (95 mm)	1-1/16 in (27 mm)	\$150.00		\$75.00

Class 7

Weight	Part #	Length	Width	Height	Price	Optional Certificate	
						Accredited	
5 kg	12786	3-13/32 in (87 mm)	5-15/32 in (139 mm)	4-1/8 (105 mm)	\$88.00		\$75.00
2 kg	12809	2-9/16 in (65 mm)	3-31/32 in (101 mm)	2-13/16 in (71 mm)	\$74.00		\$75.00
1 kg	12813	2-1/8 in (54 mm)	3 in (76 mm)	1-27/32 in (47 mm)	\$63.00		\$55.00
500 g	12815	1-5/8 in (41 mm)	2-1/2 in (64 mm)	1-17/32 in (39 mm)	\$58.00		\$55.00

OIML

Class M1

Weight	Part #	Length	Width	Height	Slot Width	Slot Depth*	Price	Optional Certificate	
								Accredited	
500 kg	156304	15-1/8 in (384mm)	15-1/8 in (384mm)	20-3/4 in (527 mm)	2-1/2 in (64 mm)	2 in (51 mm)	\$3,225.00		\$235.00
250 kg	156305	12 in (305mm)	11-1/2 in (292mm)	17-1/2 in (445 mm)	2-1/2 in (64 mm)	1-7/8 in (48 mm)	\$2,010.00		\$235.00
100 kg	156306	9.87 in (251 mm)	9.87 in (251 mm)	11 in (279 mm)	2-1/2 in (64 mm)	2 in (51 mm)	\$1,590.00		\$235.00
50 kg	105417	7 in (178mm)	9-7/32 in (234 mm)	8-13/16 in (224 mm)	4-15/32 in (114 mm)	1-29/32 in (48 mm)	\$690.00		\$130.00
20 kg	105416	5-19/32 in (142 mm)	7-5/8 in (194 mm)	5-29/32 in (150 mm)	4-5/8 in (118 mm)	1-19/32 in (41 mm)	\$165.00		\$75.00
10 kg	105415	4-1/2 in (114 mm)	6 in (152 mm)	5 in (127 mm)	3-3/4 in (95 mm)	1-1/16 in (27 mm)	\$160.00		\$75.00
5 kg	105414	3-13/32 in (87 mm)	5-15/32 in (139 mm)	4-1/8 in (105 mm)	-	-	\$92.00		\$75.00

\* Slot depth refers to distance between lifting bars and castings.

CALIBRATION WEIGHTS  
CAST IRON FIELD

Accessories

Description	Part #	Price
Statement of Accuracy	36092	\$47.50
Serial number	25836	\$17.00



PN 12767 and PN 12771 OIML Grip-handle

# Range: 100 lb – 200 g

## ASTM

### Class 6

Slotted

Weight	Part #	Slot Width	Diameter	Height	Price
100 lb	<b>40828</b>	1 in (25 mm)	17 in (432 mm)	1-15/16 in (49 mm)	\$680.00
50 lb	<b>12856</b>	3/4 in (9 mm)	10-5/8 in (270 mm)	2-11/16 in (68 mm)	\$270.00
20 lb	<b>12831</b>	13/16 in (21 mm)	8-1/8 in (206 mm)	1-31/32 in (50 mm)	\$120.00

### Optional Certificate

Accredited	Price
	\$105.00
	\$80.00
	\$80.00

### Class 7

Slotted

Weight	Part #	Slot Width	Diameter	Height	Price
10 lb	<b>12826</b>	13/16 in (21 mm)	6-1/8 in (156 mm)	1-11/16 in (43 mm)	\$98.00
5 lb	<b>12852</b>	11/16 in (18 mm)	5-1/8 in (130 mm)	1-5/16 in (33 mm)	\$79.00
2 lb	<b>12848</b>	9/16 in (14 mm)	5 in (127 mm)	23/32 in (18 mm)	\$69.00
1 lb	<b>12842</b>	9/16 in (14 mm)	5 in (127 mm)	15/32 in (12 mm)	\$69.00
1/2 lb	<b>12837</b>	9/16 in (14 mm)	3-3/4 in (95 mm)	7/16 in (11 mm)	\$52.00

### Optional Certificate

Accredited	Price
	\$80.00
	\$80.00
	\$65.00
	\$65.00
	\$40.00



### Class 7

Hanger

Weight	Part #	Capacity	Total Length	Operational Length	Diameter	Price
5 lb*	<b>12846</b>	500 lb	37-1/4 in (946 mm)	35 in (889 mm)	4 in (102 mm)	\$315.00
2 lb	<b>12841</b>	200 lb	21-13/32 in (544 mm)	19 in (483 mm)	3-3/4 in (95 mm)	\$160.00
2 lb	<b>12835</b>	200 lb	10-1/4 in (260 mm)	8 in (203 mm)	3-3/4 in (95 mm)	\$155.00
1 lb	<b>12830</b>	200 lb	21-29/32 in (556 mm)	20-7/32 in (514 mm)	3-3/4 in (95 mm)	\$140.00
1 lb	<b>12825</b>	200 lb	9-5/16 in (237 mm)	7-9/16 in (192 mm)	3-3/4 in (95 mm)	\$115.00

### Optional Certificate

Accredited	Price
	\$80.00
	\$65.00
	\$65.00
	\$65.00
	\$65.00

\* Stainless steel

### Class 6

Slotted

Weight	Part #	Slot Width	Diameter	Height	Price
20 kg	<b>12819</b>	21/32 in (17 mm)	10-5/16 in (262 mm)	2-11/32 in (60 mm)	\$270.00
10 kg	<b>12811</b>	3/4 in (19 mm)	8-3/16 in (208 mm)	2-1/16 in (52 mm)	\$150.00

### Optional Certificate

Accredited	Price
	\$75.00
	\$75.00

### Class 7

Slotted

Weight	Part #	Slot Width	Diameter	Height	Price
5 kg	<b>12807</b>	13/16 in (21 mm)	6-3/16 in (157 mm)	1-13/16 in (46 mm)	\$140.00
2 kg	<b>12799</b>	9/16 in (14 mm)	5-1/8 in (130 mm)	1-3/16 in (30 mm)	\$79.00
1 kg	<b>12795</b>	9/16 in (14 mm)	5-1/16 in (129 mm)	3/4 in (19 mm)	\$70.00
500 g	<b>12791</b>	9/16 in (14 mm)	5 in (127 mm)	15/32 in (12 mm)	\$67.00
200 g	<b>12780</b>	5/8 in (16 mm)	3-21/32 in (93 mm)	7/16 in (11 mm)	\$54.00

### Optional Certificate

Accredited	Price
	\$75.00
	\$75.00
	\$55.00
	\$55.00
	\$55.00

### Class 7

Hanger

Weight	Part #	Capacity	Total Length	Operational Length	Diameter	Price
2 kg	<b>12788</b>	250 kg	37-1/4 in (946 mm)	35 in (889 mm)	4 in (102 mm)	\$315.00
1 kg	<b>12784</b>	100 kg	21-13/32 in (544 mm)	19 in (483 mm)	3-3/4 in (95 mm)	\$155.00
1 kg	<b>12777</b>	100 kg	10-1/4 in (260 mm)	8 in (203 mm)	3-3/4 in (95 mm)	\$155.00
500 g	<b>12773</b>	100 kg	21-29/32 in (556 mm)	20-7/32 in (514 mm)	3-3/4 in (95 mm)	\$140.00
500 g	<b>12769</b>	100 kg	9-5/16 in (237 mm)	7-9/16 in (192 mm)	3-3/4 in (95 mm)	\$125.00

### Optional Certificate

Accredited	Price
	\$75.00
	\$55.00
	\$55.00
	\$55.00
	\$55.00

## Accessories

Description	Part #	Price
Statement of Accuracy	<b>36092</b>	\$47.50
Serial number	<b>25836</b>	\$17.00



Avoirdupois

Metric

## Range: 200 kg – 7 oz

### ASTM

#### Class 7

##### Round

Weight	Part #	Ratio	Diameter	Fairbanks Part #	Price
50 lb x 1/2 lb	<b>10154</b>	1 lb - 100 lb	2-7/8 in (73 mm)	PA48	\$42.00
100 lb x 1 lb	<b>10156</b>	1 lb - 100 lb	4-1/16 in (103 mm)	PA32	\$48.00
200 lb x 2 lb	<b>10158</b>	1 lb - 100 lb	4-1/16 in (103 mm)	PA21	\$42.00
500 lb x 5 lb	<b>10160</b>	1 lb - 100 lb	3-3/4 in (95 mm)	Pb52	\$48.00
100 lb x 1/2 lb	<b>10152</b>	1/2 lb - 100 lb	2-7/8 in (73 mm)	PBC32	\$42.00
200 lb x 1 lb	<b>10168</b>	1/2 lb - 100 lb	3-17/32 in (90 mm)	PBC21	\$54.00
300 lb x 1 1/2 lb	<b>10189</b>	1/2 lb - 100 lb	3-1/2 in (89 mm)	-	\$42.00
500 lb x 2 1/2 lb	<b>10170</b>	1/2 lb - 100 lb	3-1/2 in (89 mm)	PBC52	\$61.00
1,000 lb x 5 lb	<b>10196</b>	1/2 lb - 100 lb	3-7/8 in (98 mm)	-	\$73.00

#### Class 7

##### Hexagon

Weight	Part #	Diameter	Price
10 kg x 100 g	<b>10266</b>	2 in (51 mm)	\$48.00
25 kg x 250 g	<b>10268</b>	2-13/16 in (71 mm)	\$48.00
50 kg x 500 g	<b>10270</b>	4 in (102 mm)	\$52.00
100 g x 1 kg	<b>10272</b>	4 in (102 mm)	\$58.00
200 kg x 2 kg	<b>10274</b>	4 in (102 mm)	\$63.00

#### Class 7

##### Square

Weight	Part #	Ratio	Diameter	Fairbanks Part #	Price
50 lb x 1/2 lb	<b>10191</b>	1 lb - 100 lb	2-5/16 in (59 mm)	1A2349	\$48.00
100 lb x 1 lb	<b>10162</b>	1 lb - 100 lb	3-1/2 in (89 mm)	1A1469	\$48.00
200 lb x 2 lb	<b>10164</b>	1 lb - 100 lb	3-1/2 in (89 mm)	1A1470	\$54.00
500 lb x 5 lb	<b>10166</b>	1 lb - 100 lb	3-1/2 in (89 mm)	1A1471	\$91.00

### Round and Square

#### Hangers

Approx. Weight	Part #	Total Length	Operational Length	Diameter	Price
<b>Round</b>					
7 oz	<b>10188</b>	7-1/16 in (179 mm)	5-1/8 in (130 mm)	3-31/32 in (101 mm)	\$78.00
10 oz (Fairbanks® only)	<b>10184</b>	7-1/16 in (179 mm)	5-1/8 in (130 mm)	3-31/32 in (101 mm)	\$78.00
12 oz	<b>10185</b>	7-1/16 in (179 mm)	5-1/8 in (130 mm)	3-31/32 in (101 mm)	\$78.00
17 oz	<b>10186</b>	7-1/16 in (179 mm)	5-1/8 in (130 mm)	4 in (102 mm)	\$78.00
21 oz	<b>10187</b>	7-1/16 in (179 mm)	5-1/8 in (130 mm)	4 in (102 mm)	\$78.00
<b>Square</b>					
21 oz	<b>10193</b>	8-7/16 in (214 mm)	6-5/16 in (160 mm)	-	\$78.00

CALIBRATION WEIGHTS  
CAST IRON FIELD



PN 10193 21 oz Square Hanger

PN 10185 12 oz Round Hanger



# Range: 500 lb – 7 oz

## ASTM

### Class 7

Round

Weight	Part #	Diameter	Howe™ Part #	Price
50 lb x 1/2 lb	<b>10367</b>	3 in (76 mm)	42071831	\$54.00
100 lb x 1 lb	<b>10369</b>	2-7/8 in (73 mm)	42076188	\$54.00
200 lb x 2 lb	<b>10371</b>	2-31/32 in (75 mm)	42076189	\$54.00
300 lb x 3 lb	<b>10373</b>	2-31/32 in (75 mm)	42076190	\$54.00
500 lb x 5 lb	<b>10385</b>	3-1/8 in (79 mm)	42078947	\$54.00

### Class 7 For Counting Scales

Round

Weight	Part #	Ratio	Diameter	Fairbanks Part #	Price
100 lb x 1 1/99 lb	<b>10387</b>	99 - 1	3 in (76 mm)	40810545	\$61.00
500 lb x 5 5/99 lb	<b>10391</b>	99 - 1	3-3/32 in (79 mm)	42111567	\$61.00
10 lb x 1 1/4 lb	<b>10427</b>	8 - 1	2-15/16 in (75 mm)	-	\$61.00
5 lb x 5/8 lb	<b>10425</b>	8 - 1	2-15/16 in (75 mm)	-	\$54.00
2 lb x 1/4 lb	<b>10411</b>	8 - 1	2-7/32 in (56 mm)	-	\$54.00
80 lb x 1 3/5 lb	<b>10421</b>	50 - 1	3 in (76 mm)	-	\$54.00
40 lb x 4/5 lb	<b>10419</b>	50 - 1	2-13/16 in (71 mm)	-	\$54.00
20 lb x 2/5 lb	<b>10417</b>	50 - 1	2-31/32 in (75 mm)	-	\$61.00
10 lb x 1/5 lb	<b>10415</b>	50 - 1	2 in (51 mm)	-	\$54.00
5 lb x 1/10 lb	<b>10413</b>	50 - 1	1-1/2 in (38 mm)	-	\$54.00
100 lb x 1 9/16 lb or 25 oz	<b>10409</b>	64 - 1	3 in (76 mm)	42111417	\$54.00
50 lb x 28/32 lb or 12 1/2 oz	<b>10407</b>	61 - 1	2-15/16 in (75 mm)	40807082	\$54.00
25 lb x 25/64 lb or 6 1/4 oz	<b>10405</b>	64 - 1	2-31/32 in (75 mm)	40807092	\$54.00
10 lb x 5/32 lb or 2 1/2 oz	<b>10404</b>	64 - 1	1-1/2 in (38 mm)	42111454	\$54.00

CALIBRATION WEIGHTS  
CAST IRON FIELD

## Round

Hangers

Approx. Weight	Part #	Total Length	Operational Length	Diameter	Price
7 oz	<b>10382</b>	8-1/4 in (210 mm)	6-3/16 in (157 mm)	2-31/32 in (75 mm)	\$73.00
10 oz	<b>10379</b>	8-1/4 in (210 mm)	6-3/16 in (157 mm)	2-31/32 in (75 mm)	\$73.00
12 oz	<b>10380</b>	8-1/4 in (210 mm)	6-3/16 in (157 mm)	2-31/32 in (75 mm)	\$125.00
16 oz	<b>10381</b>	8-1/4 in (210 mm)	6-3/16 in (157 mm)	2-31/32 in (75 mm)	\$125.00

## Triangle

Approx. Weight	Part #	Toledo® Part #	Price
100 lb x 1 lb	<b>11417</b>	49868	\$42.00
200 lb x 2 lb	<b>11419</b>	49869	\$48.00
500 lb x 5 lb	<b>11421</b>	49870	\$73.00

## Triangle

Hangers

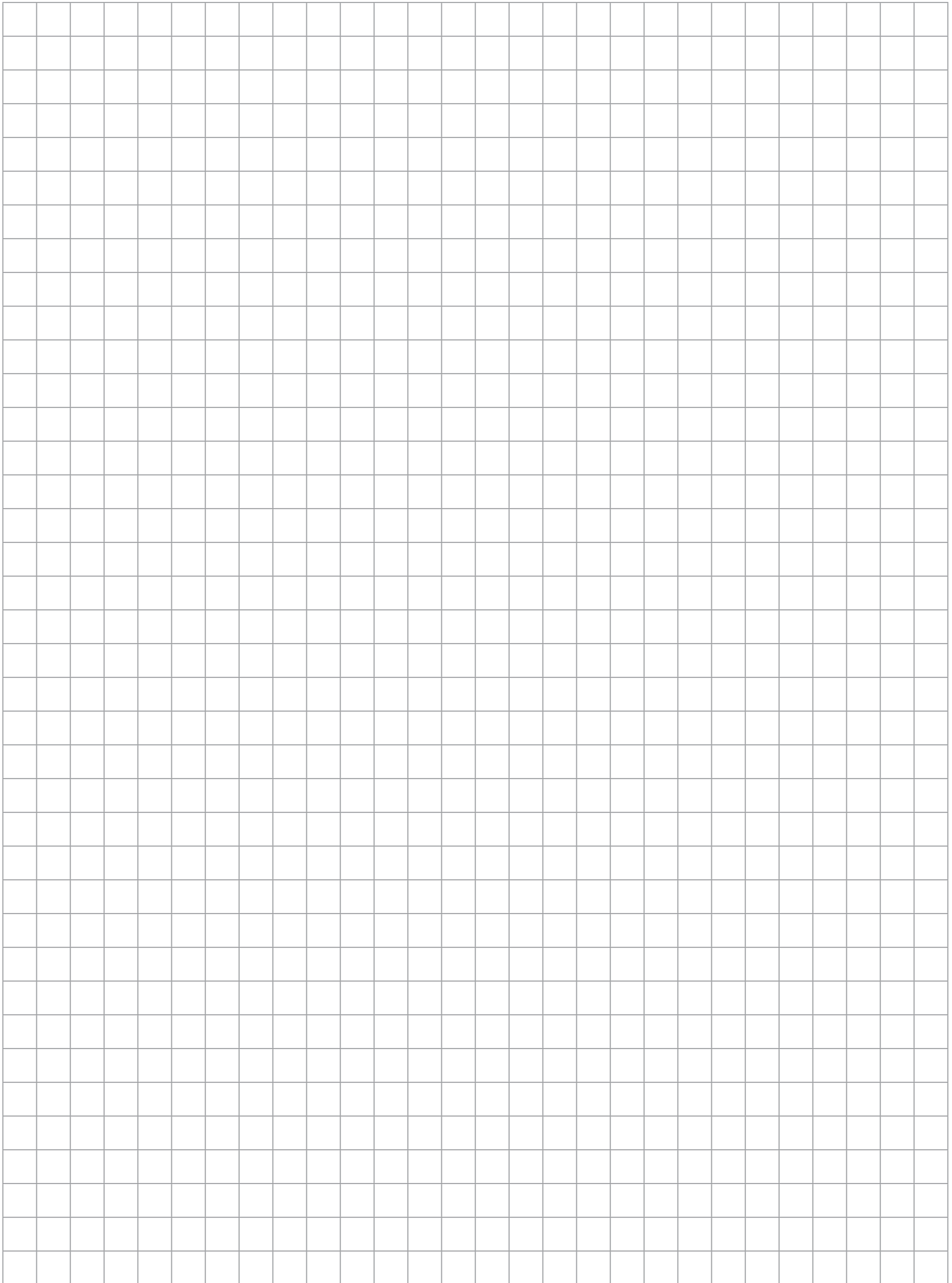
Approx. Weight	Part #	Total Length	Operational Length	Toledo® Part #	Price
14 oz	<b>11423</b>	8-1/4 in (210 mm)	6-3/16 in (157 mm)	49857	\$73.00



Triangle Single and Hanger







**CALIBRATION WEIGHTS  
CAST IRON FIELD**

**SPECIALTY CALIBRATION WEIGHTS / METRIC CUBE AND RING WEIGHTS; AVOIRDUPOIS RING WEIGHTS**

**Range: 5 lb – 25 g**

**Class 5**

Cube

Weight	Part #	Length	Width	Height	Price
2 lb	12649	1 in (25 mm)	2.4 in (61 mm)	3 in (76 mm)	\$175.00
1 lb	12651	1 in (25 mm)	1.2 in (31 mm)	3 in (76 mm)	\$160.00
8 oz	12653	1 in (25 mm)	1-9/10 in (48 mm)	1 in (25 mm)	\$140.00
2 oz	12658	0.60 in (15 mm)	0.70 in (18 mm)	1 in (25 mm)	\$98.00
4 oz	12655	1 in (25 mm)	73/100 in (19 mm)	309/1000 in (33 mm)	\$120.00
1 kg	12557	3-3/8 in (87 mm)	1 in (25 mm)	2-1/2 in (63 mm)	\$175.00
500 g	12552	3-13/32 in (87 mm)	1 in (25 mm)	1-1/4 in (32 mm)	\$140.00
300 g	12547	1-1/4 in (32 mm)	2-1/32 in (52 mm)	1 in (25 mm)	\$130.00
200 g	12544	1-3/8 in (35 mm)	1-1/4 in (31 mm)	1 in (25 mm)	\$120.00
100 g	12541	1-7/32 in (31 mm)	3/4 in (19 mm)	1 in (25 mm)	\$98.00

**Optional Certificate**

Accredited
\$65.00
\$65.00
\$55.00
\$55.00
\$55.00
\$55.00
\$55.00
\$55.00
\$55.00
\$55.00
\$55.00
\$55.00
\$40.00

**Class 5**

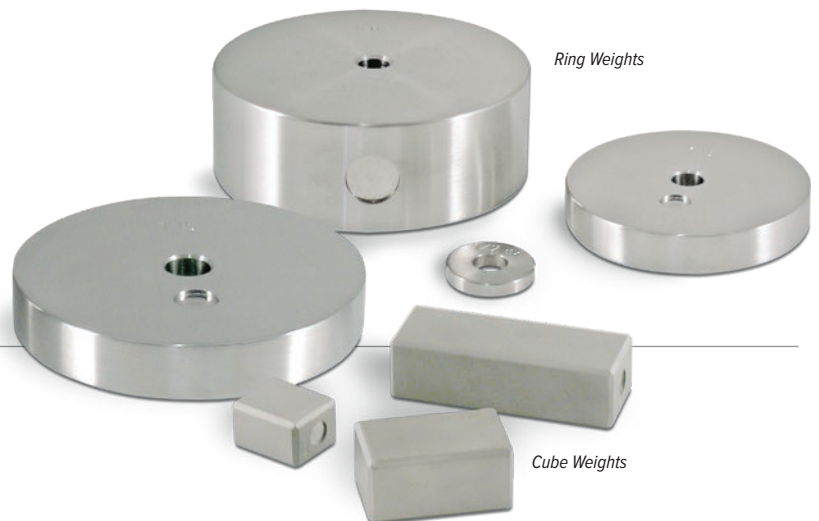
Ring

Weight	Part #	Outside Dia.	Inside Dia.	Height	Price
500 g	12566	3 in (76 mm)	25/64 in (10 mm)	37/64 in (15 mm)	\$150.00
200 g	12563	2 in (51 mm)	25/64 in (10 mm)	17/32 in (14 mm)	\$125.00
100 g	12561	1-1/2 in (38 mm)	25/64 in (10 mm)	1/2 in (13 mm)	\$98.00
50 g	12560	1-1/2 in (38 mm)	25/64 in (10 mm)	1/4 in (6 mm)	\$83.00
25 g	12559	1 in (25 mm)	25/64 in (10 mm)	5/16 in (8 mm)	\$66.00
5 lb	12672	4 in (102 mm)	25/64 in (10 mm)	1-7/16 in (37 mm)	\$135.00
3 lb	12671	3 in (76 mm)	25/64 in (10 mm)	1-35/64 in (36 mm)	\$105.00
2 lb	12670	3 in (76 mm)	25/64 in (10 mm)	1-1/32 in (26 mm)	\$83.00
1 lb	12669	3 in (76 mm)	25/64 in (10 mm)	33/64 in (13 mm)	\$83.00
8 oz	12668	2 in (51 mm)	25/64 in (10 mm)	39/64 in (16 mm)	\$40.50
4 oz	12667	1-1/2 in (38 mm)	25/64 in (10 mm)	9/16 in (14 mm)	\$40.50
2 oz	12666	1 1/2 in (38 mm)	25/64 in (10 mm)	9/32 in (7 mm)	\$40.50
1 oz	12665	1 in (25 mm)	25/64 in (10 mm)	11/32 in (9 mm)	\$40.50
1/2 oz	12664	1 in (25 mm)	25/64 in (10 mm)	11/64 in (4 mm)	\$77.00
1/4 oz	12663	1 in (25 mm)	25/64 in (10 mm)	3/32 in (2 mm)	\$105.00

**Optional Certificate**

Accredited
\$55.00
\$55.00
\$40.00
\$40.00
\$40.00
\$40.00
\$80.00
\$80.00
\$65.00
\$65.00
\$40.00
\$40.00
\$40.00
\$40.00
\$40.00
\$40.00
\$40.00

**CALIBRATION WEIGHTS  
SPECIALTY**



Ring Weights

Cube Weights

**Accessories**

Description	Part #	Price
Statement of Accuracy	36092	\$47.50
Serial number	25836	\$17.00



**SPECIALTY CALIBRATION WEIGHTS / PENNYWEIGHT CYLINDRICAL AND LEAF, AND GRAIN WEIGHTS**

**Range: 20 dwt – 20 gr**

**Class 5**  
Cylindrical

Weight	Part #	Price
20 dwt	12698	\$83.00
10 dwt	12697	\$83.00
5 dwt	12696	\$83.00
2 dwt	12695	\$83.00
1 dwt	12694	\$83.00

**Optional Certificate**

Accredited
\$40.00
\$40.00
\$40.00
\$40.00
\$40.00

**Class 5**  
Leaf

Weight	Part #	Price
0.5 dwt	12693	\$74.00
0.2 dwt	12692	\$74.00
0.1dwt	12691	\$74.00

**Optional Certificate**

Accredited
\$40.00
\$40.00
\$40.00

**Class 5**  
Grain

Weight	Part #	Price
1 gr	12726	\$28.00
2 gr	12727	\$31.50
5 gr	12730	\$31.50
10 gr	12733	\$31.50
20 gr	12736	\$39.50

**Optional Certificate**

Accredited
\$40.00
\$40.00
\$40.00
\$40.00
\$40.00

CALIBRATION WEIGHTS  
SPECIALTY



PN 12693 Pennyweight Leaf Weight



PN 12695 Cylindrical

**Accessories**

Description	Part #	Price
Statement of Accuracy	36092	\$47.50
Serial number	25836	\$17.00

**SPECIALTY CALIBRATION WEIGHTS / AVOIRDUPOIS AND METRIC CUBE WEIGHT SETS**

**Range: 1kg – 1mg**

**Class 5**

Cube Avoirdupois

**Optional Certificate**

Set Size	Part #	Price	Accredited
8 oz - 1/16 oz	<b>12630</b>	\$360.00	\$230.00
(3) 2 lb - 1/16 oz	<b>12652</b>	\$1,050.00	\$379.00
(3) 2 lb - .001lb	<b>12659</b>	\$1,190.00	\$457.00
(14) 2 lb - 1/16 oz	<b>12585</b>	\$1,730.00	\$918.00

**Class 5**

Cube Metric

**Optional Certificate**

Set Size	Part #	Price	Accredited
300 g - 10 g	<b>12545</b>	\$365.00	\$280.00
(14) 1kg - 1mg	<b>12553*</b>	\$2,400.00	\$999.00
(3) 1kg - 1mg	<b>12555*</b>	\$1,500.00	\$645.00

**Weight Set Contents**

8 oz - 1/16 oz	2 lb - 1/16 oz	2 lb - 0.001lb	2 lb - 1/16 oz
12630	12652	12659	12585
1 - 8 oz*	3 - 2 lb*	3 - 2 lb*	14 - 2 lb*
1 - 4 oz*	1 - 1 lb*	1 - 1 lb*	2 - 1 lb*
1 - 2 oz*	1 - 8 oz*	1 - 0.3 lb	1 - 8 oz*
1 - 1 oz	1 - 4 oz*	1 - 0.2 lb	1 - 4 oz*
1 - 1/2 oz	1 - 2 oz*	1 - 0.1 lb	1 - 2 oz*
1 - 1/4 oz	1 - 1 oz	1 - 0.05 lb	1 - 1 oz
1 - 1/8 oz	1 - 1/2 oz	1 - 0.03 lb	1 - 1/2 oz
2 - 1/16 oz	1 - 1/4 oz	1 - 0.02 lb	1 - 1/4 oz
	1 - 1/8 oz	1 - 0.01 lb	1 - 1/8 oz
	2 - 1/16 oz	1 - 0.005 lb	2 - 1/16 oz
		1 - 0.003 lb	
		1 - 0.002 lb	
		2 - 001lb	
<b>9 pcs.</b> 1lb set wt.	<b>13 pcs.</b> 8lb set wt.	<b>16 pcs.</b> 7.72lb set wt.	<b>25 pcs.</b> 31lb set wt.

300 g - 10 g	1kg - 1mg	1kg - 1mg
12545	12553	12555
-	14 - 1kg*	3 - 1 kg*
-	2 - 500g*	1 - 500g*
1 - 300g*	1 - 300g*	1 - 300g*
1 - 200g*	1 - 200g*	1 - 200g*
1 - 100g*	1 - 100g*	1 - 100g*
1 - 50g	1 - 50g	1 - 50g
1 - 30g	1 - 30g	1 - 30g
1 - 20g	1 - 20g	1 - 20g
1 - 10g	1 - 10g	1 - 10g
1 - 5g	1 - 5g	1 - 5g
1 - 3g	1 - 3g	1 - 3g
1 - 2g	1 - 2g	1 - 2g
1 - 1g	1 - 1g	1 - 1g
1 - 500mg	1 - 500mg	1 - 500mg
1 - 300mg	1 - 300mg	1 - 300mg
1 - 200mg	1 - 200mg	1 - 200mg
1 - 100mg	1 - 100mg	1 - 100mg
1 - 50mg	1 - 50mg	1 - 50mg
1 - 30mg	1 - 30mg	1 - 30mg
1 - 20mg	1 - 20mg	1 - 20mg
1 - 10mg	1 - 10mg	1 - 10mg
	1 - 5mg	1 - 5mg
	1 - 3mg	1 - 3mg
	1 - 2mg	1 - 2mg
	1 - 1mg	1 - 1mg
<b>7 pcs.</b> 710g set wt.	<b>39 pcs</b> 15,722.221g set wt.	<b>27 pcs.</b> 4,222.221g set wt.

\*Cube Weight

**CALIBRATION WEIGHTS  
SPECIALTY**

**Replacement Cases**

Cube Avoirdupois Main Cases		
Class 5		
Set Size	Part #	Price
8 oz - 1/16 oz	<b>11510</b>	\$39.50
(3) 2 lb - 1/16 oz	<b>11569</b>	\$240.00
(3) 2 lb - .001lb	<b>11569</b>	\$240.00
(14) 2 lb - 1/16 oz	<b>40783</b>	\$380.00

Cube Metric Main Cases		
Class 5		
Size	Part #	Price
300 g - 10 g	<b>11510</b>	\$39.50
(14) 1kg - 1mg	<b>40783</b>	\$380.00
(3) 1kg - 1mg	<b>11569</b>	\$240.00

Inserts		
Class 5		
Size	Part #	Price
300 g - 10 g	<b>11526</b>	\$42.00
5 g - 1mg	<b>11527</b>	\$39.50
(2) 50 g - 1mg	<b>11528</b>	\$42.00
1kg - 1mg	<b>11526</b>	\$42.00
(3) 1kg - 1mg	<b>11526</b>	\$42.00

**Accessories**

Description	Part #	Price
Statement of Accuracy	<b>36092</b>	\$47.50
Leaf weight cover	<b>11758</b>	\$45.50
Tweezer	<b>65640</b>	\$22.25
Serial number	<b>25836</b>	\$17.00
Premium tweezer	<b>152414</b>	\$45.50





**SPECIALTY CALIBRATION WEIGHTS / AVOIRDUPOIS AND METRIC SINGLE HANGERS/SLOTTED WEIGHTS**

**Range: 5 lb – 100 g**

**Class 7**

Stainless Steel Hanger

Weight	Part #	Length	Diameter	Total Cap	Price
5 lb	<b>12846</b>	37 1/4 in	4 in (102 mm)	500 lb	\$315.00
3 kg	<b>156937</b>	38 3/16 in	4 in (102 mm)	250 kg	\$330.00

**Optional Certificate**

Accredited
\$80.00
\$75.00

**Class 5**

Slotted Avoirdupois

Weight	Part #	Diameter	Height	Slot Width	Price
10 lb	<b>12589</b>	4 in (102 mm)	3-1/8 in (79 mm)	1/2 in (13 mm)	\$630.00
5 lb	<b>12586</b>	4 in (102 mm)	1-9/16 in (40 mm)	1/2 in (13 mm)	\$395.00
2 lb	<b>12577</b>	3 in (76 mm)	1-9/64 in (29 mm)	1/2 in (13 mm)	\$250.00
1 lb	<b>12574</b>	3 in (76 mm)	19/32 in (15 mm)	1/2 in (13 mm)	\$210.00
8 oz	<b>12583</b>	2 in (51 mm)	45/64 in (18 mm)	1/2 in (13 mm)	\$185.00
4 oz	<b>12580</b>	1-1/2 in (38 mm)	11/16 in (18 mm)	1/2 in (13 mm)	\$145.00

**Optional Certificate**

Accredited
\$80.00
\$80.00
\$65.00
\$65.00
\$40.00
\$40.00

**Class 5**

Slotted Metric

Weight	Part #	Diameter	Height	Slot Width	Price
5 kg	<b>156931</b>	4 in (102 mm)	3-1/8 in (79 mm)	1/2 in (13 mm)	\$585.00
2 kg	<b>156932</b>	4 in (102 mm)	1-9/16 in (40 mm)	1/2 in (13 mm)	\$405.00
1 kg	<b>156933</b>	3 in (76 mm)	1.27 in (32 mm)	1/2 in (13 mm)	\$240.00
500 g	<b>156934</b>	3 in (76 mm)	0.836 in (21 mm)	1/2 in (13 mm)	\$220.00
200 g	<b>156935</b>	1-1/2 in (38 mm)	0.801 in (20 mm)	1/2 in (13 mm)	\$180.00
100 g	<b>156936</b>	1-1/2 in (38 mm)	0.601 in (15 mm)	1/2 in (13 mm)	\$120.00

**Optional Certificate**

Accredited
\$75.00
\$75.00
\$55.00
\$55.00
\$55.00
\$40.00

**CALIBRATION WEIGHTS  
SPECIALTY**



**Accessories**

Description	Part #	Price
Statement of Accuracy	<b>36092</b>	\$47.50
Serial number	<b>25836</b>	\$17.00

# Range: 50 kg – 2,000 lb

## Painted Steel Lift Truck Weights

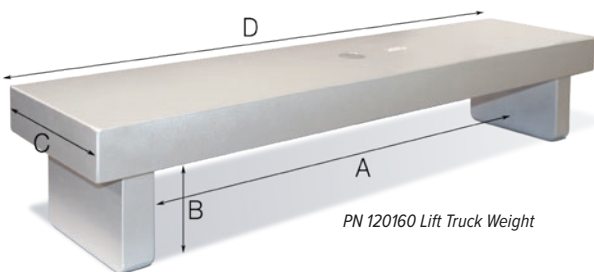
Class 6

Optional Certificate

Weight	Part #	Price	Accredited
1,000 lb	<b>120160</b>	\$2,800.00	\$235.00
2,000 lb	<b>120162</b>	\$8,275.00	\$235.00

### Dimensions

PN 120160		PN 120162	
A	38.25 in	A	34.25 in
B	6.0 in	B	6.0 in
C	22.5 in	C	22.5 in
D	46.25 in	D	46.25 in



CALIBRATION WEIGHTS  
SPECIALTY

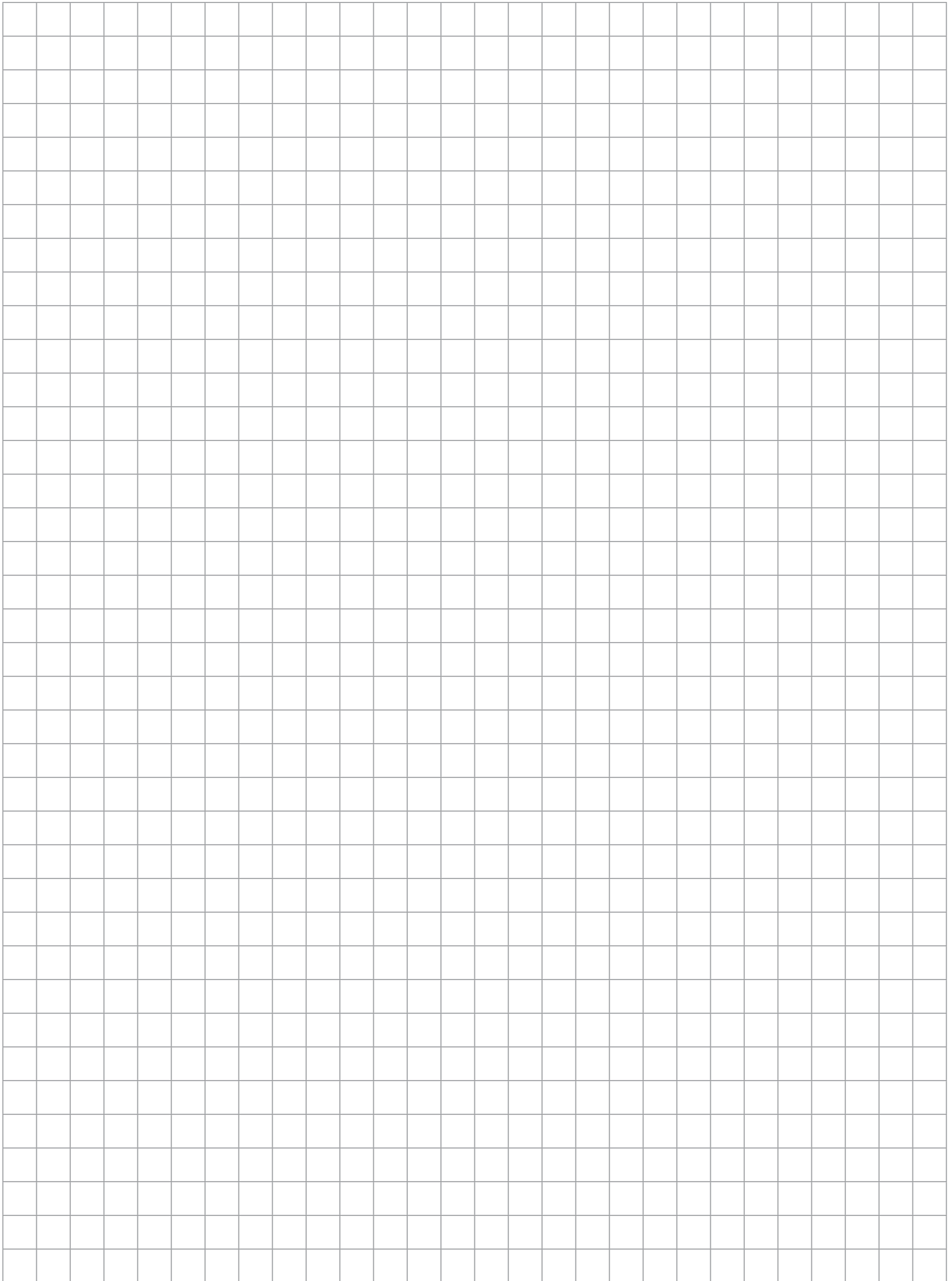
## Stainless Steel Clean Room Weight Cart

Class 6

Optional Certificate

Weight	Part #	Description	Price	Accredited
50 kg	<b>178045</b>	16 x 16 in	\$5,025.00	\$235.00
100 kg	<b>180033</b>	16 x 16 in	\$5,650.00	\$235.00
125 kg	<b>184463</b>	16 x 16 in	\$6,275.00	\$235.00
150 kg	<b>184464</b>	16 x 16 in	\$6,700.00	\$235.00
175 kg	<b>184465</b>	18 x 18 in	\$7,025.00	\$235.00
200 kg	<b>180624</b>	16 x 16 in	\$7,025.00	\$235.00
250 kg	<b>180625</b>	18 x 18 in	\$8,900.00	\$235.00
500 kg	<b>180034</b>	18 x 18 in	\$15,850.00	\$235.00





# Cases

## Industrial-Quality Cases

These heavy-duty cases are designed to be used in place of large wooden cases when portability is desired. The recessed latches provide protection assurance for your weights.



### Pelican Cases

- Pick N Pluck™ with convoluted lid foam
- Watertight, crushproof and dustproof
- Durable, lightweight container design
- Rubber over-molded handle
- Secure, integrated latches
- Stainless steel padlock protectors
- Custom inserts available upon request

### Pelican Cases

Length	Width	Closed Height	Max Load	Part #	Price
17 in	22 in	8 in	75 lb	<b>21230</b>	\$445.00
11.75 in	17 in	6 in	50 lb	<b>21229</b>	\$300.00

### Black Thermoformed Cases

- Excellent for transporting weights
- Recessed, heavy-duty latches confidently secure contents
- Ergonomic handles retain preferred treatment of weights
- Metal hardware resists natural wear and tear
- Special case cuttings are required for heavy duty cases at an additional charge

### Black Thermoformed Cases

Length	Width	Closed Height	Max Load	Part #	Price
22.4 in	16.3 in	10.5 in	95 lb	<b>156989</b>	\$890.00
16.4 in	11.4 in	9 in	55 lb	<b>156285</b>	\$600.00
9.9 in	9.9 in	11 in	60 lb	<b>156284</b>	\$480.00

### Black Injection-Molded Watertight Case

Length	Width	Closed Height	Max Load	Part #	Price
12.63 in	9.5 in	4.75 in	20 lb	<b>158121</b>	\$345.00

### Black Injection-Molded Watertight Case

- Designed for custom weight sets
- Ergonomic top-mounted handle provides ideal weight positioning
- Interior is custom-molded to the weights to be stored



## Medium-Duty Cases

Medium-duty cases are primarily used for manually transporting test weights as they effectively absorb shock and resist changes in environment.

### ABS Plastic

- ABS plastic is considered superior for its strength, gloss and electrical insulation properties—an excellent choice for encasing weights
- All metal hardware establishes the security of your weights
- Top-mounted handle makes transporting the weights effortless
- Custom-cut foam inserts are used for insulating between the weights
- Three sizes available

### ABS Plastic

A	B	C	Max Load	Part #	Price
7.625 in	13.5 in	6 in	40 lb	<b>11531</b>	\$265.00
9.375 in	14.375 in	7.625 in	55 lb	<b>11534</b>	\$275.00
6.5 in	8.375 in	7.125 in	25 lb	<b>11572</b>	\$200.00

### Wooden Cases

(Other cases and sizes available by custom order)

- Walnut-constructed and felt-lined
- Built-to-order and designed specifically for your weight sets
- Not available as an accessory purchase
- Available in 5 kg-20 kg capacities
- Secured by hinged latches
- Case keeps weights free of dust and contaminants
- Protects your weights in storage and during transportation
- Cases should be packed in an external box during shipping to protect them

### PVC Cases

(Other cases and sizes available by custom order)

- Available in capacities from 100 g-1 mg for Precision Mass Reference Standards
- Also available for ASTM Class 0 weights in 100 g-1 mg capacities



ABS Plastic Case (Weights shown are not included with case)

# Cases

## Light-Duty/Single Weight Cases

Light-duty/single weight cases can be used for storage and shipping smaller capacity weights within additional materials.

### Plastic

- Light-duty plastic cases are used for shipping lighter capacity weights—typically single weights not exceeding 5 lb
- Plastic hinges, latches and side-mounted handle keep this case extremely lightweight and portable
- Uncut foam is included while custom-cut is available for an extra charge
- Custom-cut foam insert protects each weight from impact during transport

### Leatherette

- Secure storage of single weights with snap lid
- Considered light-duty and used for storage and shipping
- Leatherette is a non-porous material—ideal for weight protection
- Two sizes of leatherette cases available

## Clean Room

### Acrylic

- Ideal for all clean room environments
- Tough, clear acrylic protects your valuable investment
- Provide compliance for stringent clean room requirements
- Not recommended for shipping; developed exclusively for storage
- Available as an accessory only
- Optional custom inserts available up request

### Polycarbonate Cases

- Light-duty cases for single weights
- Suitable for clean room storage and shipping lighter capacity weights
- Three case sizes with different insert sizes
- Transparent lid for easy weight identification
- Secure-latch lid for weight protection



PN 34645



PN 11596

### Wooden and PVC

Description	Part #	Price
PVC case for precision laboratory mass reference standards, 100 g-1 mg range (5-2-2-1 configuration)	<b>11596</b>	\$190.00
Wooden case built-to-order for field standards and balance calibration weights, 500 g-1 mg range	<b>34645</b>	\$350.00



PN 87982

PN 69229

Polycarbonate Case

### Plastic

Length	Width	Closed Height	Max Load	Part #	Price
8 in	12 in	3.5 in	5 lb	<b>87982</b>	\$86.00

### Leatherette

Length	Width	Closed Height	Max Load	Part #	Price
1.875 in	3.75 in	1.0625 in	3 lb	<b>69429</b>	\$39.50
2.5 in	3.4375 in	.875 in	1 lb	<b>69229</b>	\$39.50



PN 89180 and PN 89179  
Shown with optional insert

### Acrylic Clean Room

Length	Width	Closed Height	Part #	Price
3.04 in	6.04 in	1.8 in	<b>89179</b>	\$135.00
4.7 in	8.7 in	2.8 in	<b>89180</b>	\$245.00
5.25 in	12 in	4 in	<b>89181</b>	\$385.00
8.5 in	13.25 in	5.75 in	<b>89182</b>	\$605.00
PVC Insert			<b>Consult</b>	Consult

### Polycarbonate

Length	Width	Closed Height	Part #	Price
4.25 in	4.25 in	4.875 in	<b>Consult</b>	\$32.00
3.12 in	3.12 in	3.61 in	<b>Consult</b>	\$32.00
2.25 in	2.25 in	2.45 in	<b>Consult</b>	\$35.00

### Sealers Cube Wt - With Precut Foam Insert

Length	Width	Closed Height	Part #	Price
9.375 in	14.375 in	7.625 in	<b>40783</b>	\$380.00

### Protection Containers

Description	Part #	Price
Capsule	<b>80420</b>	\$5.25
Vial	<b>50038</b>	\$5.25



# Sealing Plugs

CALIBRATION WEIGHTS ACCESSORIES

## Lead

Diameter	Part #	Price
2.75 in (69.8 mm)	<b>11749</b>	\$6.00
1.875 in (47.6 mm)	<b>11750</b>	\$5.25
1 in (25.4 mm)	<b>11751</b>	\$4.75
0.5 in (12.7 mm)	<b>11752</b>	\$4.75
1.25 in (31.7 mm)	<b>11753</b>	\$4.75
0.5626 in (14.3 mm)	<b>11760</b>	\$4.75
0.625 in (15.9 mm)	<b>11761</b>	\$4.75
0.75 in (19.1 mm)	<b>11765</b>	\$4.75
0.875 in (22.2 mm)	<b>11785</b>	\$4.75

## Aluminum

Diameter	Part #	Price
0.375 in (9.5 mm)	<b>11744</b>	\$2.75
0.5 in (12.7 mm)	<b>11745</b>	\$2.75
0.625 in (15.9 mm)	<b>11746</b>	\$2.75
1 in (25.4 mm)	<b>11762</b>	\$2.75
0.5626 in (14.3 mm)	<b>11767</b>	\$4.75
0.875 in (22.2 mm)	<b>11775</b>	\$4.25
0.75 in (19.1 mm)	<b>11776</b>	\$2.75

## Backup

Diameter	Part #	Price
2.75 in (69.8 mm)	<b>11748</b>	\$6.75
.75 in (19.1 mm)	<b>11766</b>	\$4.75
1 in (25.4 mm)	<b>11710</b>	\$2.75
1.875 in (47.6 mm)	<b>11699</b>	\$2.75

## Backup Stainless Steel

Diameter	Part #	Price
1 in (25.4 mm)	<b>44992</b>	\$2.75
.625 in (15.9 mm)	<b>44993</b>	\$5.25
.325 in (9.5 mm)	<b>44994</b>	\$6.00

## Stainless Steel

Diameter	Part #	Price
.9375 in (23.0 mm)	<b>11709</b>	\$4.75



# Canvas Dust Covers

## Canvas Dust Covers

Weight	Part #	Capacity	Cover Part #	Price
<b>12890</b>	200 lb	<b>11720</b>	\$235.00	
<b>12844</b>	500 lb	<b>11722</b>	\$235.00	
<b>12880</b>	750 lb	<b>11723</b>	\$235.00	
<b>12850</b>	1,000 lb	<b>11724</b>	\$235.00	
<b>12858</b>	1,250 lb	<b>11727</b>	\$235.00	
<b>12866</b>	2,000 lb	<b>11729</b>	\$235.00	

Weight	Part #	Capacity	Cover Part #	Price
<b>12817</b>	100 kg	<b>11738</b>	\$235.00	
<b>12782</b>	250 kg	<b>11740</b>	\$235.00	
<b>12797</b>	500 kg	<b>11741</b>	\$235.00	
<b>12801</b>	1,000 kg	<b>11742</b>	\$235.00	
<b>12821</b>	2,000 kg	<b>11743</b>	\$235.00	



# Gloves

## Cotton 11714

- Essential tool for proper weight-handling
- Proper protection for preventing hand residue
- Residue can impact a weight's calibration and certification for accuracy
- Rice Lake recommends using cotton gloves to handle all precision weights



## Vinyl 11773

- Vinyl gloves are an acceptable handling tool to keep dirt and residue off your weights
- Better than handling precision weights bare-handed
- Vinyl gloves are economical, disposable, convenient, and help maintain the integrity of your weights



## Gloves

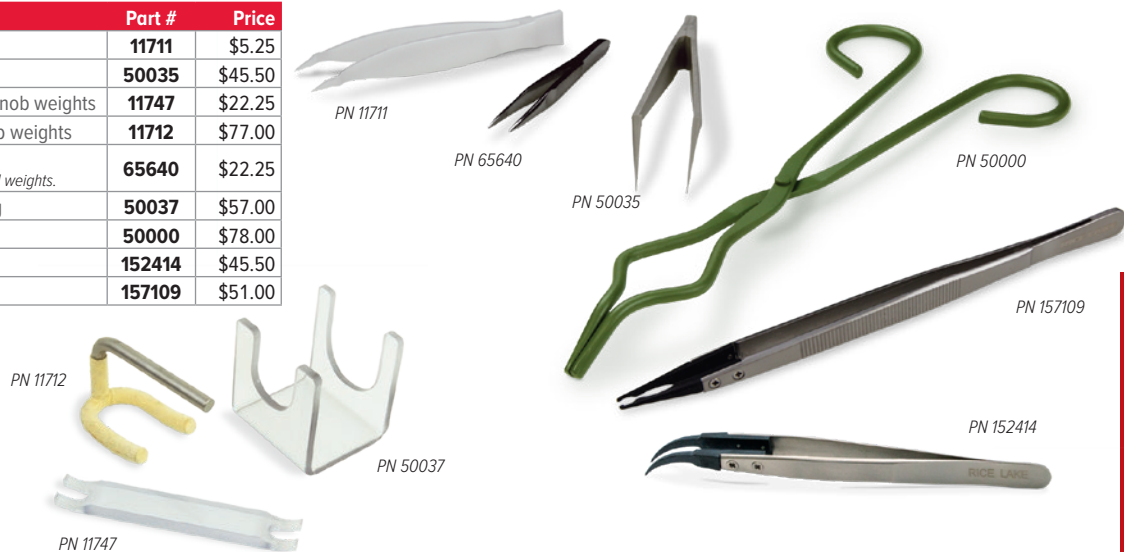
Description	Part #	Price
Cotton glove	<b>11714</b>	\$7.25
Vinyl glove	<b>11773</b>	\$3.50



# Transfer Equipment

## Transfer Equipment

Set Size	Part #	Price
Forceps, 3.625 in 100 g - 1 mg	11711	\$5.25
Forceps, 4.75 in	50035	\$45.50
Plastic bar 200 g - 3 kg, screw knob weights	11747	\$22.25
Metal handle 5 kg +, screw knob weights	11712	\$77.00
Metal forceps <i>Not recommended for use with polished weights.</i>	65640	\$22.25
Weight lifter, OIML 2 kg and 5 kg	50037	\$57.00
Tong assembly, 24 cm x 7.5 cm	50000	\$78.00
Tweezers, premium, 140 mm	152414	\$45.50
Tweezers, premium, 220 mm	157109	\$51.00



CALIBRATION WEIGHTS ACCESSORIES

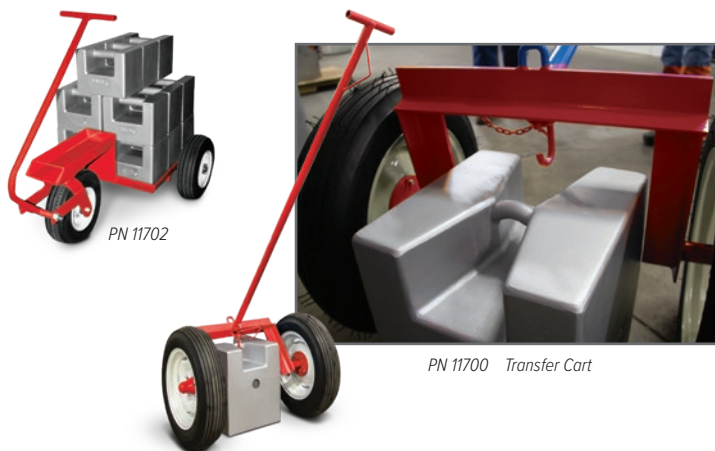
# Transfer Cart

## Transfer Cart

Description	Part #	Price
36.5 x 74.5 x 29 in (927.1 x 1892.3 x 736.6 mm) <i>For use on smooth, level surfaces—especially for moving 500 or 1,000 lb heavy-capacity weights.</i>	11700	\$1,810.00
25 x 37.5 x 14.5 in (635 x 952.5 x 368.3 mm) <i>For use on smooth, level surfaces—for holding up to fifteen 50 lb grip-handle weights.</i>	11702	\$2,070.00

## Hook Replacement Parts

Description	Part #	Price
Short hook for 1,000 lb weight	22643	\$48.00
Long hook for 500 lb weight	22644	\$48.00



# Touch-Up Paint

## Touch-up/Repair Paint

*Ships UPS ground only. These are NOT available for export.*

Description	Part #	Price
Aerosol spray (gold)	88561	\$34.00
Aerosol spray (silver)	88562	\$34.00
Aerosol spray (primer)	88563	\$34.00





# Checkweighers

---

## TABLE OF CONTENTS

<b>IQ Plus® 2100</b> .....	<b>310</b>
<i>Digital Bench Scale</i>	
<b>IQ Plus® 2100SL</b> .....	<b>312</b>
<i>Digital Bench Scale</i>	
<b>CW-90</b> .....	<b>314</b>
<i>Over/Under Checkweigher</i>	
<b>CW-90X</b> .....	<b>316</b>
<i>Over/Under Washdown Checkweigher</i>	

Product names, logos, brands and other trademarks featured or referred to within this publication are the property of their respective trademark holders.

# IQ Plus® 2100

Digital Bench Scale



*IQ plus 2100 with attachment bracket*



*IQ plus 2100 with column*



*IQ plus 2100 with tilt stand*

## Standard Features

- NEMA Type 4X/IP66
- 304 stainless steel construction
- Large, bold 0.8 in LED display
- Status annunciators: lb, kg, oz, g, negative, motion, center of zero
- One full-duplex RS-232 port
- Two digital inputs for remote zero, print and units
- 12 in column, attachment bracket or tilt stand for table, wall or under counter mounting
- Aluminum, single-point load cell
- Overload and upload stops on scale base
- Stainless steel, non-tactile feel, piezo zero and units buttons
- Unit of measure: kg, gm, lb, oz, lb/oz (lb/oz is not Legal for Trade)
- PreVent™ breather vent
- Factory calibrated

## Specifications

### Power:

**Line Voltage**  
115 VAC

### Frequency:

50/60 Hz

### Power Consumption:

70 mA at 115 VAC (8 W)

### Display Resolution:

10,000 graduations maximum

### Digital Inputs:

Two inputs, TTL or switch closure, active-low

### Scale Frame:

AISI304L, straight line finish, Ra= 45 +/- 10

### Scale Cover:

AISI304L, straight line finish, Ra= 45 +/- 10

### Serial Communications:

Full-duplex RS-232; 9600, 4800, 2400, 1200 bps; seven or eight data bits; even, odd or no parity

### Display:

Six-digit light-emitting diode (LED) display  
Seven-segment, 0.8 in (20 mm) digits

### LED Annunciators:

Negative value, center of zero, motion, kg, g, lb, oz

### Keypad:

Two stainless steel piezo switches

### Operating Temperature:

14 °F to 104 °F (-10 °C to 40 °C)

### Rating/Material:

NEMA Type 4X/IP66, stainless steel

### Load Cell:

Aluminum, environmentally sealed

### Warranty:

Two-year limited

### Approvals:

#### Indicator:

NTEP CC 00-045 Class III/IIIL 10,000 d  
Measurement Canada AM-5374;  
cULus listed

#### Base:

NTEP CC 95-072, Class III 5,000 d

## Approvals

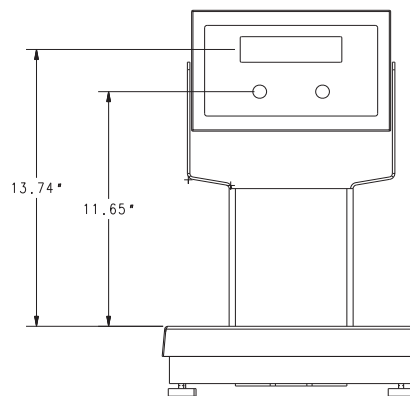
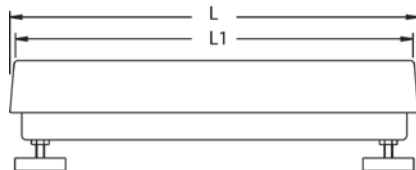


Measurement  
Canada  
Approved

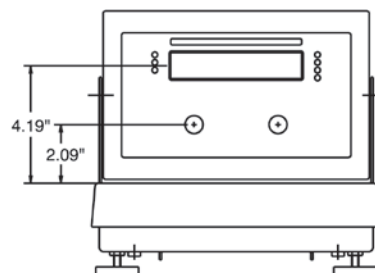
## Dimensions

Platform Dimensions	L	L1
10 × 10 in	10.25 in	10 in
12 × 12 in	12.25 in	12 in

Note: 1 in=25.4 mm



*With 12in column*



*With attachment bracket*

### Part Number/Price

Part #	Capacity	Platform Size*	Est. Weight	Price
<b>IQ plus 2100 with tilt stand - 115 VAC</b>				
63053 <sup>†</sup>	5 lb × 0.001 lb (2.5 kg × 0.0005 kg) (2,500 g × 0.5 g) (80 oz × 0.02 oz)	10 × 10 in	23 lb	\$1,385.00
63052 <sup>†</sup>	10 lb × 0.002 lb (5 kg × 0.001 kg) (5,000 g × 1 g) (160 oz × 0.05 oz)	10 × 10 in	23 lb	\$1,385.00
63051 <sup>†</sup>	25 lb × 0.005 lb (10 kg × 0.002 kg) (10,000 g × 2 g) (400 oz × 0.10 oz)	10 × 10 in	23 lb	\$1,385.00
63050 <sup>†</sup>	50 lb × 0.01 lb (25 kg × 0.005 kg) (25,000 g × 5 g) (800 oz × 0.20 oz)	12 × 12 in	26 lb	\$1,475.00
63049 <sup>†</sup>	100 lb × 0.02 lb (50 kg × 0.01 kg) (50,000 g × 10 g) (1,600 oz × 0.50 oz)	12 × 12 in	26 lb	\$1,475.00
<b>IQ plus 2100 with attachment bracket - 115 VAC</b>				
63043 <sup>†</sup>	5 lb × 0.001 lb (2.5 kg × 0.0005 kg) (2,500 g × 0.5 g) (80 oz × 0.02 oz)	10 × 10 in	23 lb	\$1,385.00
63042 <sup>†</sup>	10 lb × 0.002 lb (5 kg × 0.001 kg) (5,000 g × 1 g) (160 oz × 0.05 oz)	10 × 10 in	23 lb	\$1,385.00
63041 <sup>†</sup>	25 lb × 0.005 lb (10 kg × 0.002 kg) (10,000 g × 2 g) (400 oz × 0.10 oz)	10 × 10 in	23 lb	\$1,385.00
63040 <sup>†</sup>	50 lb × 0.01 lb (25 kg × 0.005 kg) (25,000 g × 5 g) (800 oz × 0.20 oz)	12 × 12 in	26 lb	\$1,475.00
63039 <sup>†</sup>	100 lb × 0.02 lb (50 kg × 0.01 kg) (50,000 g × 10 g) (1,600 oz × 0.50 oz)	12 × 12 in	26 lb	\$1,475.00
<b>IQ plus 2100 with 12 in column - 115 VAC</b>				
63048 <sup>†</sup>	5 lb × 0.001 lb (2.5 kg × 0.0005 kg) (2,500 g × 0.5 g) (80 oz × 0.02 oz)	10 × 10 in	25 lb	\$1,385.00
63047 <sup>†</sup>	10 lb × 0.002 lb (5 kg × 0.001 kg) (5,000 g × 1 g) (160 oz × 0.05 oz)	10 × 10 in	25 lb	\$1,385.00
63046 <sup>†</sup>	25 lb × 0.005 lb (10 kg × 0.002 kg) (10,000 g × 2 g) (400 oz × 0.10 oz)	10 × 10 in	25 lb	\$1,385.00
63045 <sup>†</sup>	50 lb × 0.01 lb (25 kg × 0.005 kg) (25,000 g × 5 g) (800 oz × 0.20 oz)	12 × 12 in	28 lb	\$1,475.00
63044 <sup>†</sup>	100 lb × 0.02 lb (50 kg × 0.01 kg) (50,000 g × 10 g) (1,600 oz × 0.50 oz)	12 × 12 in	28 lb	\$1,475.00



<sup>†</sup> NEMA 5-15 plug

# IQ Plus® 2100SL

Digital Bench Scale



*IQ plus 2100SL with attachment bracket*



*IQ plus 2100 with tilt stand*

*IQ plus 2100 with column*



## Standard Features

- NEMA Type 4X/IP66
- 304 stainless steel construction
- Large, bold 0.8-inch LED display
- Status annunciators: lb, kg, oz, g, negative, motion, center of zero
- One full-duplex RS-232 port
- Two digital inputs for remote zero, print and units
- 12-inch column, attachment bracket or tilt stand for table, wall or under counter mounting
- Aluminum, single-point load cell
- Overload and upload stops on scale base
- Stainless steel, non-tactile feel, piezo zero and units buttons
- Unit of measure: kg, gm, lb, oz, lb/oz (lb/oz is not Legal for Trade)
- PreVent™ breather vent
- Spring-loaded platform
- Factory calibrated

## Specifications

### Power:

**Line Voltage**  
115 VAC

### Frequency:

50/60 Hz

### Power Consumption:

70 mA at 115 VAC (8 W)

### Display Resolution:

10,000 graduations maximum

### Digital Inputs:

Two inputs, TTL or switch closure, active-low

### Scale Frame:

AISI304L, straight line finish, Ra= 45 +/- 10

### Scale Cover:

AISI304L, straight line finish, Ra= 45 +/- 10

### Serial Communications:

Full-duplex RS-232; 9600, 4800, 2400, 1200 bps; seven or eight data bits; even, odd or no parity

### Display:

Six-digit LED display  
Seven-segment, 0.8 in (20 mm) digits

### LED Annunciators:

Negative value, center of zero, motion, kg, g, lb, oz

### Keypad:

Two stainless steel piezo switches

### Operating Temperature:

14 °F to 104 °F (-10 °C to 40 °C)

### Rating/Material:

NEMA Type 4X/IP66, stainless steel

### Load Cell:

Aluminum, environmentally sealed

### Warranty:

Two-year limited

### Approvals:

**Indicator:**  
NTEP CC 00-045 Class III/IIIL 10,000 d  
Measurement Canada, AM-5374;  
UL and C-UL listed

### Base:

NTEP CC 95-072, Class III 5,000 d

## Approvals

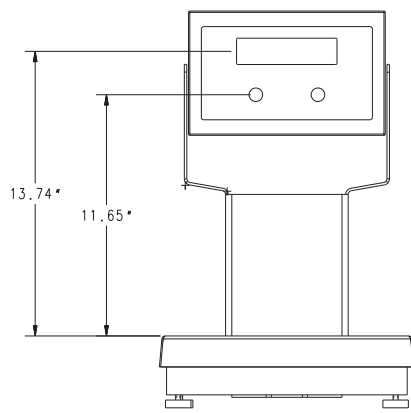


Measurement  
Canada  
Approved

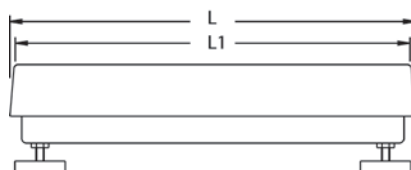
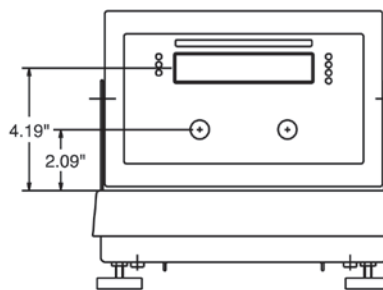
## Dimensions

Platform Dimensions	L	L1
10 × 10 in	10.25 in	10 in
12 × 12 in	12.25 in	12 in

Note: 1 in=25.4 mm



*With 12 in column*





## Part Number/Price

Part #	Capacity	Platform Size*	Est. Weight	Price
<b>IQ plus 2100SL with tilt stand - 115 VAC</b>				
65168 <sup>†</sup>	5 lb × 0.001 lb (2.5 kg × 0.0005 kg) (2,500 g × 0.5 g) (80 oz × 0.02 oz)	10 × 10 in	21 lb	\$1,435.00
65169 <sup>†</sup>	10 lb × 0.002 lb (5 kg × 0.001 kg) (5,000 g × 1 g) (160 oz × 0.05 oz)	10 × 10 in	21 lb	\$1,435.00
65170 <sup>†</sup>	20 lb × 0.005 lb (10 kg × 0.002 kg) (10,000 g × 2 g) (320 oz × 0.1 oz)	10 × 10 in	21 lb	\$1,435.00
65171 <sup>†</sup>	30 lb × 0.01 lb (15 kg × 0.005 kg) (15,000 g × 5 g) (480 oz × 0.1 oz)	10 × 10 in	21 lb	\$1,435.00
65172 <sup>†</sup>	30 lb × 0.01 lb (15 kg × 0.005 kg) (15,000 g × 5 g) (480 oz × 0.1 oz)	12 × 12 in	24 lb	\$1,525.00
65173 <sup>†</sup>	50 lb × 0.01 lb (25 kg × 0.005 kg) (25,000 g × 5 g) (800 oz × 0.20 oz)	12 × 12 in	24 lb	\$1,525.00
65174 <sup>†</sup>	100 lb × 0.02 lb (50 kg × 0.01 kg) (50,000 g × 10 g) (1,600 oz × 0.50 oz)	12 × 12 in	24 lb	\$1,525.00
<b>IQ plus 2100SL with attachment bracket - 115 VAC</b>				
65175 <sup>†</sup>	5 lb × 0.001 lb (2.5 kg × 0.0005 kg) (2,500 g × 0.5 g) (80 oz × 0.02 oz)	10 × 10 in	21 lb	\$1,435.00
65176 <sup>†</sup>	10 lb × 0.002 lb (5 kg × 0.001 kg) (5,000 g × 1 g) (160 oz × 0.05 oz)	10 × 10 in	21 lb	\$1,435.00
65177 <sup>†</sup>	20 lb × 0.005 lb (10 kg × 0.002 kg) (10,000 g × 2 g) (320 oz × 0.1 oz)	10 × 10 in	21 lb	\$1,435.00
65178 <sup>†</sup>	30 lb × 0.01 lb (15 kg × 0.005 kg) (15,000 g × 5 g) (480 oz × 0.1 oz)	10 × 10 in	21 lb	\$1,435.00
65179 <sup>†</sup>	30 lb × 0.01 lb (15 kg × 0.005 kg) (15,000 g × 5 g) (480 oz × 0.1 oz)	12 × 12 in	24 lb	\$1,525.00
65180 <sup>†</sup>	50 lb × 0.01 lb (25 kg × 0.005 kg) (25,000 g × 5 g) (800 oz × 0.20 oz)	12 × 12 in	24 lb	\$1,525.00
65181 <sup>†</sup>	100 lb × 0.02 lb (50 kg × 0.01 kg) (50,000 g × 10 g) (1,600 oz × 0.50 oz)	12 × 12 in	24 lb	\$1,525.00
<b>IQ plus 2100SL with 12 in column - 115 VAC</b>				
65182 <sup>†</sup>	5 lb × 0.001 lb (2.5 kg × 0.0005 kg) (2,500 g × 0.5 g) (80 oz × 0.02 oz)	10 × 10 in	23 lb	\$1,435.00
65183 <sup>†</sup>	10 lb × 0.002 lb (5 kg × 0.001 kg) (5,000 g × 1 g) (160 oz × 0.05 oz)	10 × 10 in	23 lb	\$1,435.00
65184 <sup>†</sup>	20 lb × 0.005 lb (10 kg × 0.002 kg) (10,000 g × 2 g) (320 oz × 0.1 oz)	10 × 10 in	23 lb	\$1,435.00
65185 <sup>†</sup>	30 lb × 0.01 lb (15 kg × 0.005 kg) (15,000 g × 5 g) (480 oz × 0.1 oz)	10 × 10 in	23 lb	\$1,435.00
65186 <sup>†</sup>	30 lb × 0.01 lb (15 kg × 0.005 kg) (15,000 g × 5 g) (480 oz × 0.1 oz)	12 × 12 in	26 lb	\$1,525.00
65187 <sup>†</sup>	50 lb × 0.01 lb (25 kg × 0.005 kg) (25,000 g × 5 g) (800 oz × 0.20 oz)	12 × 12 in	26 lb	\$1,525.00
65188 <sup>†</sup>	100 lb × 0.02 lb (50 kg × 0.01 kg) (50,000 g × 10 g) (1,600 oz × 0.50 oz)	12 × 12 in	26 lb	\$1,525.00



CHECKWEIGHERS

# CW-90

Over/Under Checkweigher



**WeighVault**  
**REVOLUTION**  
SCALE SOFTWARE

## Specifications

### Power AC:

**Line Voltages:**

115/230 VAC

**Frequency:**

50/60 Hz

### Power Consumption:

1.5 A at 115 VAC (8 W)

0.75 A at 230 VAC (8 W)

### Measurement Rate:

960, 480, 240, 120, 60, 30, 15, 7.5 per second

### System Linearity:

±0.01% full scale

### Digital I/O:

Four channels on CPU board

### Circuit Protection:

RFI, EMI, ESD protection

### Display:

Large 0.8 in, 14 segment, six digit high-intensity red LED display

### Scale Frame:

AISI304L, straight line finish, Ra= 45 +/- 10

### Scale Cover:

AISI304L, straight line finish, Ra= 45 +/- 10

### Annunciators:

Designators for %, kg, gm, lb, oz, center of zero, G/B, N, T, PT, neg, motion

### Operating Temperature:

Legal: 14 °F to 104 °F (-10 °C to 40 °C)

### Rating/Material:

IP66, stainless steel

### Resolution:

Display: 100,000

### Load Cell:

Aluminum, environmentally sealed

### Warranty:

Two-year limited

### Approvals:

#### Indicator:

NTEP 08-092, Class III/IIIL 10,000 d

Measurement Canada AM-5710, Class III 10,000 d

OIML R76/2006-GBI-10.02

TC11569

cULus listed

CE marked

#### Scale:

NTEP 95-072, Class III 5,000 d

Measurement Canada AM-5082

NSF

## Approvals



Measurement  
Canada  
Approved



EU  
LEGAL  
FOR TRADE  
CERTIFIED



CHECKWEIGHERS

## Standard Features

- Membrane keypad consisting of ZERO, UNITS, PRINT, TARE, OVER, UNDER, ID, TARGET, 0-9, CLEAR, DECIMAL, ENTER, MENU, POWER
- 304 stainless steel, IP66 rated indicator
- PreVent™ breather vent
- Storage for up to 50 IDs
- Unit of measure: kg, gm, lb, oz, lb/oz (lb/oz is not Legal for Trade)
- High-intensity LED display
- Battery backed time and date
- Two full-duplex RS-232 serial ports
- Configurable print formats
- Audit trail tracking
- Optional communications: Ethernet, USB or fiber -optic
- Four configurable Digital I/O
- Reflash memory to upgrade firmware
- Auto-print capability
- Accumulator
- Factory calibrated

### Scale

- Aluminum, environmentally sealed load cell
- 304 stainless steel
- Meets HACCP requirements
- Five-point overload protection

## Part Number/Price

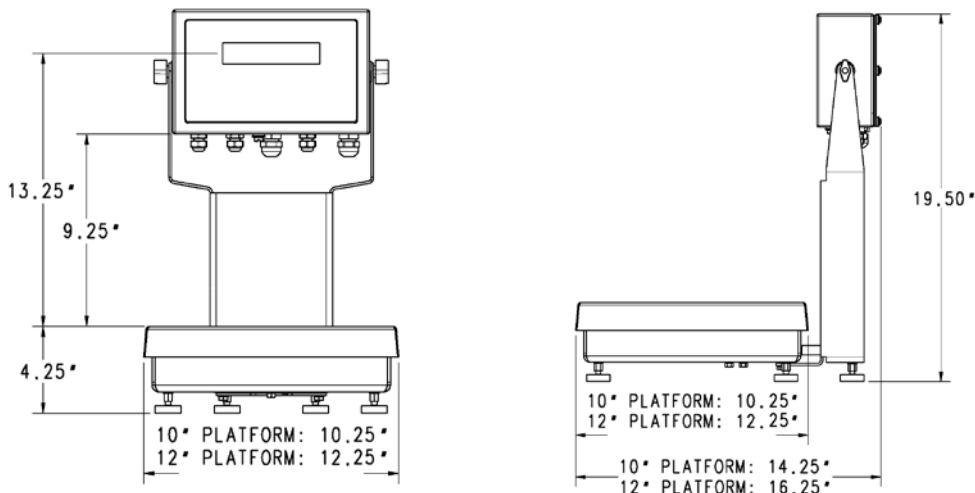
Part #	Capacity	Platform Dimensions	Column Height	Est. Weight	Price
<b>115 VAC</b>					
105957 <sup>†</sup>	5 lb × 0.001 lb (2.5 kg × 0.0005 kg) or (80 oz × 0.02 oz)	10 × 10 × 4.25 in	12 in	29 lb	\$1,615.00
105958 <sup>†</sup>	10 lb × 0.002 lb (5 kg × 0.001 kg) or (160 oz × 0.05 oz)	10 × 10 × 4.25 in	12 in	29 lb	\$1,615.00
105959 <sup>†</sup>	25 lb × 0.005 lb (10 kg × 0.002 kg) or (400 oz × 0.1 oz)	10 × 10 × 4.25 in	12 in	29 lb	\$1,615.00
105960 <sup>†</sup>	25 lb × 0.005 lb (10 kg × 0.002 kg) or (400 oz × 0.1 oz)	12 × 12 × 4.25 in	12 in	33 lb	\$1,675.00
105961 <sup>†</sup>	50 lb × 0.01 lb (25 kg × 0.005 kg) or (800 oz × 0.2 oz)	12 × 12 × 4.25 in	12 in	33 lb	\$1,675.00
105962 <sup>†</sup>	100 lb × 0.02 lb (50 kg × 0.01 kg) or (1,600 oz × 0.5 oz)	12 × 12 × 4.25 in	12 in	33 lb	\$1,675.00
<b>230 VAC</b>					
118891 <sup>†</sup>	2.5 kg × 0.0005 kg (5 lb × 0.001 lb) or (80 oz × 0.02 oz)	10 × 10 × 4.25 in	12 in	29 lb	\$1,615.00
118892 <sup>†</sup>	5 kg × 0.001 kg (10 lb × 0.002 lb) or (160 oz × 0.05 oz)	10 × 10 × 4.25 in	12 in	29 lb	\$1,615.00
118893 <sup>†</sup>	10 kg × 0.002 kg (25 lb × 0.005 lb) or (400 oz × 0.1 oz)	10 × 10 × 4.25 in	12 in	29 lb	\$1,615.00
118895 <sup>†</sup>	10 kg × 0.002 kg (25 lb × 0.005 lb) or (400 oz × 0.1 oz)	12 × 12 × 4.25 in	12 in	33 lb	\$1,675.00
118896 <sup>†</sup>	25 kg × 0.005 kg (50 lb × 0.01 lb) or (800 oz × 0.2 oz)	12 × 12 × 4.25 in	12 in	33 lb	\$1,675.00
118897 <sup>†</sup>	50 kg × 0.01 kg (100 lb × 0.02 lb) or (1,600 oz × 0.5 oz)	12 × 12 × 4.25 in	12 in	33 lb	\$1,675.00
<b>230 VAC CE marked/OIML approved</b>					
106123 <sup>††</sup>	3 kg × 0.001 kg	254 × 254 × 108 mm	305 mm	13.2 kg	\$1,615.00
106124 <sup>††</sup>	6 kg × 0.002 kg	254 × 254 × 108 mm	305 mm	13.2 kg	\$1,615.00
106125 <sup>††</sup>	15 kg × 0.005 kg	254 × 254 × 108 mm	305 mm	13.2 kg	\$1,615.00
106126 <sup>††</sup>	15 kg × 0.005 kg	305 × 305 × 108 mm	305 mm	15 kg	\$1,675.00
106127 <sup>††</sup>	30 kg × 0.01 kg	305 × 305 × 108 mm	305 mm	15 kg	\$1,675.00
106128 <sup>††</sup>	60 kg × 0.02 kg	305 × 305 × 108 mm	305 mm	15 kg	\$1,675.00



## Options/Accessories

Part #	Description	Price
200578	Ethernet TCP/IP and cable with attached cord grip	\$440.00
77142	Ethernet TCP/IP card	\$420.00
206272	Wireless LAN card RS232/Wi-Fi 802.11 a/b	\$610.00
171968	Firmware download cable	\$39.00
96736	Fiber-optic board	\$250.00
78026	Fiber-optic, duplex cable 100 ft	\$175.00
80892	Fiber-optic cutter	\$12.00
117358	WeighVault™ (requires part number 200578, 77142 or 206272)	\$265.00

Note: 1 in=25.4 mm



CHECKWEIGHERS

# CW-90X

Over/Under Washdown Checkweigher



## Specifications

### Power AC:

**Line Voltages:**

115/230 VAC

**Frequency:**

50/60 Hz

### Power Consumption:

1.5 A at 115 VAC (8 W)

0.75 A at 230 VAC (8 W)

### Measurement Rate:

960,480, 240, 120, 60, 30, 15, 7.5 per second

### System Linearity:

±0.01% full scale

### Digital I/O:

Four channels on CPU board

### Circuit Protection:

RFI, EMI, ESD protection

### Display:

Large 0.8 in, 14 segment, six digit high-intensity red LED display

### Scale Frame:

AISI304L, straight line finish, Ra=45 +/- 10

### Scale Cover:

AISI304L, straight line finish, Ra=45 +/- 10

### Annunciators:

Designators for %, kg, gm, lb, oz, center of zero, G/B, N, T, PT, neg, motion

### Operating Temperature:

Legal: 14 °F to 104 °F (-10 °C to 40 °C)

### Rating/Material:

IP69K, stainless steel

### Resolution:

Display: 100,000

### Load Cell:

Stainless steel, hermetically sealed

### Warranty:

Three-year limited

### Approvals:

#### Indicator:

NTEP CC 08-092, Class III/IIIL 10,000 d

Measurement Canada AM-5710, Class III 10,000 d

OIML R76/2006-GBI-10.02

TC11569

cULus Listed

CE Marked

#### Scale:

NTEP CC 95-072, Class III 5,000 d

Measurement Canada AM-5082

NSF

## Approvals



Measurement  
Canada  
Approved



EU  
LEGAL  
FOR TRADE  
CERTIFIED



## Standard Features

- Piezo keypad consisting of ZERO, UNITS, PRINT, TARE, OVER, UNDER, ID, TARGET, ENTER, MENU, POWER
- 304 stainless steel, IP69K rated indicator
- PreVent™ breather vent
- Storage for up to 50 IDs
- Unit of measure: kg, gm, lb, oz, lb/oz (lb/oz is not Legal for Trade)
- High-intensity LED display
- Battery backed time and date
- Two full-duplex RS-232 serial ports
- Configurable print formats
- Audit trail tracking
- Optional communications: Ethernet, USB or Fiber-optic
- Four configurable Digital I/O
- Reflash memory to upgrade firmware
- Auto print capability
- Accumulator
- Factory calibrated

### Scale Base

- IP69K, stainless steel, hermetically sealed load cell
- 304 stainless steel
- Meets HACCP requirements
- Five point overload protection

### Part Number/Price

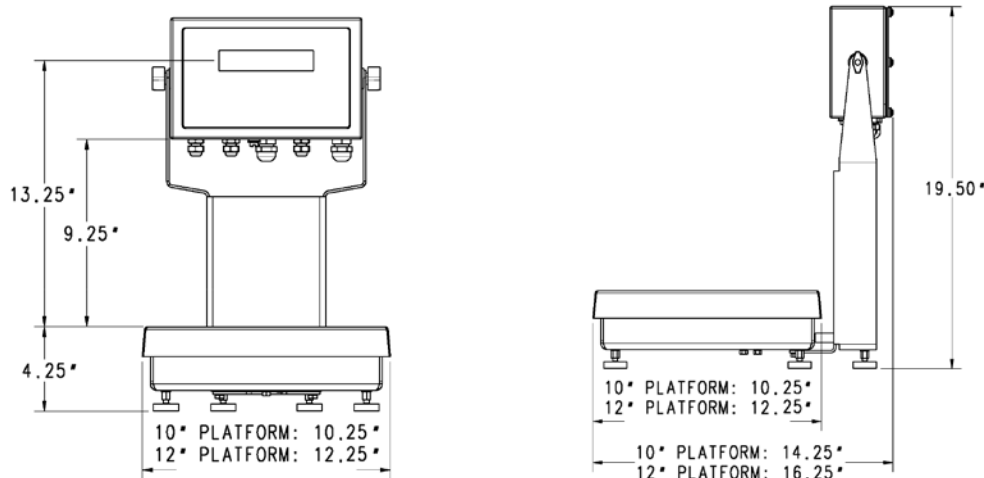
Part #	Capacity	Platform Dimensions	Column Height	Est. Weight	Price
<b>115 VAC</b>					
105963†	5 lb × 0.001 lb (2.5 kg × 0.0005 kg) or (80 oz × 0.02 oz)	10 × 10 × 4.25 in	12 in	29lb	\$2,197.00
105965†	10 lb × 0.002 lb (5 kg × 0.001 kg) or (160 oz × 0.05 oz)	10 × 10 × 4.25 in	12 in	29lb	\$2,197.00
105966†	25 lb × 0.005 lb (10 kg × 0.002 kg) or (400 oz × 0.1 oz)	10 × 10 × 4.25 in	12 in	29lb	\$2,197.00
105967†	25 lb × 0.005 lb (10 kg × 0.002 kg) or (400 oz × 0.1 oz)	12 × 12 × 4.25 in	12 in	33lb	\$2,287.00
105968†	50 lb × 0.01 lb (25 kg × 0.005 kg) or (800 oz × 0.2 oz)	12 × 12 × 4.25 in	12 in	33lb	\$2,287.00
105969†	100 lb × 0.02 lb (50 kg × 0.01 kg) or (1,600 oz × 0.5 oz)	12 × 12 × 4.25 in	12 in	33lb	\$2,287.00
<b>230 VAC</b>					
118899†	2.5 kg × 0.0005 kg (5 lb × 0.001 lb) or (80 oz × 0.02 oz)	10 × 10 × 4.25 in	12 in	29lb	\$2,197.00
118900†	5 kg × 0.001 kg (10 lb × 0.002 lb) or (160 oz × 0.05 oz)	10 × 10 × 4.25 in	12 in	29lb	\$2,197.00
118901†	10 kg × 0.002 kg (25 lb × 0.005 lb) or (400 oz × 0.1 oz)	10 × 10 × 4.25 in	12 in	29lb	\$2,197.00
118902†	10 kg × 0.002 kg (25 lb × 0.005 lb) or (400 oz × 0.1 oz)	12 × 12 × 4.25 in	12 in	33lb	\$2,287.00
118903†	25 kg × 0.005 kg (50 lb × 0.01 lb) or (800 oz × 0.2 oz)	12 × 12 × 4.25 in	12 in	33lb	\$2,287.00
118904†	50 kg × 0.01 kg (100 lb × 0.02 lb) or (1,600 oz × 0.5 oz)	12 × 12 × 4.25 in	12 in	33lb	\$2,287.00
<b>230 VAC CE marked/OIML approved</b>					
106129††	3 kg × 0.001 kg	254 × 254 × 108 mm	305 mm	13.2 kg	\$2,197.00
106130††	6 kg × 0.002 kg	254 × 254 × 108 mm	305 mm	13.2 kg	\$2,197.00
106131††	15 kg × 0.005 kg	254 × 254 × 108 mm	305 mm	13.2 kg	\$2,197.00
106132††	15 kg × 0.005 kg	305 × 305 × 108 mm	305 mm	15 kg	\$2,287.00
106133††	30 kg × 0.01 kg	305 × 305 × 108 mm	305 mm	15 kg	\$2,287.00
106134††	60 kg × 0.02 kg	305 × 305 × 108 mm	305 mm	15 kg	\$2,287.00



### Options/Accessories

Part #	Description	Price
200578	Ethernet TCP/IP and cable with attached cord grip	\$440.00
77142	Ethernet TCP/IP card	\$420.00
206272	Wireless LAN card RS232/Wi-Fi 802.11 a/b	\$610.00
171968	Firmware download cable	\$39.00
96736	Fiber-optic board	\$250.00
78026	Fiber-optic, duplex cable 100 ft	\$175.00
80892	Fiber-optic cutter	\$12.00
117358	WeighVault™ (requires part number 200578, 77142 or 206272)	\$265.00

Note: 1 in=25.4 mm







# Concrete Batch Controllers

---

**TABLE OF CONTENTS**

**1280® FlexWeigh Systems ..... 320**

*Decumulative/Accumulative Batcher*

**CONCRETE BATCH  
CONTROLLERS**

*Product names, logos, brands and other trademarks featured  
or referred to within this publication are the property of their respective trademark holders.*

# 1280<sup>®</sup> FlexWeigh Systems

Decumulative/Accumulative Batcher



## Specifications

### Power:

100 to 240 VAC; 50/60 Hz

### Excitation Voltage:

10 ± 0.5 VDC

16 x 350 ohm or 32 x 700 ohm load cells per A/D card

### Analog Signal Input Range:

-60 mV to 60 mV

### Analog Signal Sensitivity:

0.3 µV/graduation minimum at 7.5 to 120 Hz

1.0 µV/graduation recommended

### A/D Sample Rate:

7.5 to 960 Hz, software selectable

### Resolution:

Internal: 8,000,000 counts

Display: 1,000,000

### System Linearity:

± 0.01% full scale

### Communication Ports:

Port 1 & 2: Full duplex RS-232 with CTS/RTS, RS-422/485

Baud Rate: 1200 to 115200

Port 3: USB 2.0 Device (Micro)

USB Host: (2) Type A Connectors max 500 mA

Ethernet: Wired 10/100 Auto-MDX

Ethernet: Wireless 802.11 b/g/n 2.4GHz

### On board:

Selectable filters: Three stage, adaptive or damping

Embedded Linux<sup>®</sup> OS

8 GB eMMC (system use)

1 GB DDR3 RAM

460 MB onboard database (SQLite) storage

Up to 32 GB micro SD card

### Display:

Twelve-inch, 1280 × 800 pixel,

1,500 NIT

### Temperature Range:

Certified: 14 °F to 104 °F (-10 °C to 40 °C)

Operating: -4 °F to 131 °F (-20 °C to 55 °C)

### Rating/Material:

Painted mild steel enclosure

NEMA Type 4; IP66

### Dimensions:

20 × 20 × 8 in

### Warranty:

Two-year limited

### EMC Immunity:

EN 50082 Part 2 IEC

EN 61000-4-2, 3, 4, 5, 6, 8, 11

## Standard Features

- Powered by 1280 Enterprise Series indicator
- Large 12-in color touchscreen display
- Remote batching through web server integration
- Front panel control switches and emergency stop
- Automatic or manual batching modes
- Configurable from two to five scales (one to two cement scales, and one to three material bins)
- Up to four admixes (bottled or direct)
- Manual entry of moisture compensation percentage
- Metered water controlled by onboard DIO
- Import/export databases via USB, Revolution<sup>®</sup> or Interchange software
- Configurable batch transaction ticket
- Storage for 1,000 transactions, 1,000 mix designs, 500 customers
- Available with English or Spanish operation and in imperial or metric measurements

## Options

- Desktop stand
- Sun visor

## Part Number/Price

Part #	Description	Price
208907	Decumulative batcher	\$15,950.00
216733	Accumulative batcher	Consult
212392	Sun visor	\$500.00
212234	Desktop kiosk stand	\$450.00

CONCRETE BATCH  
CONTROLLERS

# 1280® FlexWeigh Systems

Decumulative/Accumulative Batcher

Front Panel Switches		
	Decumulative Batcher	Accumulative Batcher
Auto/Manual	x	x
E-Stop	x	x
Conveyor Start/Run*	x	x
Bin 1*	x	x
Bin 2*	x	x
Bin 3*	x	x
Cement 1*	x	x
Cement 2*	x	x
Water*	x	x
Admix 1*	x	x
Admix 2*	x	x
Admix 3*	x	x
Admix 4*	x	x
Aggregate Hopper		x
Cement Hopper		x

\* Available in Manual Mode

Outputs		
	Decumulative Batcher	Accumulative Batcher
Conveyor Start/Run	x	x
Alarm/Horn	x	x
Bin 3 Vibrator	x	
Bin 3 Feed	x	x
Admixture 1 Fil/Feed	x	x
Admixture 1 Discharge	x	x
Admixture 2 Fil/Feed	x	x
Admixture 2 Discharge	x	x
Admixture 3 Fil/Feed	x	x
Admixture 3 Discharge	x	x
Admixture 4 Fil/Feed	x	x
Admixture 4 Discharge	x	x
Bin 1 Feed	x	x
Bin 2 Feed	x	x
Cement 1 Feed	x	x
Cement 2 Feed	x	x
Water Feed	x	x
Bin 1 Vibrator	x	x
Bin 2 Vibrator	x	
Cement 1 Air	x	x
Cement 2 Air	x	x
Dust Collector 1	x	x
Dust Collector 2	x	x
Aggregate Vibrator		x
Cement Vibrator		x
Aggregate Air		x
Water Discharge		x
Aggregate Gate Open		x
Aggregate Gate Close		x
Cement Gate Open		x
Cement Gate Close		x

Inputs		
	Decumulative Batcher	Accumulative Batcher
Admixture 1 Bottle Empty	x	x
Admixture 1 Pulse	x	x
Admixture 2 Bottle Empty	x	x
Admixture 2 Pulse	x	x
Admixture 3 Bottle Empty	x	x
Admixture 3 Pulse	x	x
Admixture 4 Bottle Empty	x	x
Admixture 4 Pulse	x	x
Manual Mode	x	x
Air Pressure OK	x	x
E-Stop	x	x
Water Meter Pulse	x	x
Conveyor Running	x	x
Water Gate Limit Switch		x
Aggregate Gate Limit Switch		x
Cement Gate Limit Switch		x

CONCRETE BATCH  
CONTROLLERS



# Counting Scales

---

## TABLE OF CONTENTS

<b>Rice Lake Counterpart®</b> .....	<b>324</b>
<i>Configurable Counting Indicator</i>	
<b>DIGI® S-YC Series</b> .....	<b>326</b>
<i>Remote Scale Base Platforms</i>	
<b>DIGI® DC-788 Series</b> .....	<b>327</b>
<i>Industrial Counting Scales</i>	
<b>DIGI® DC-782 Series</b> .....	<b>328</b>
<i>Portable Counting Scales</i>	
<b>DIGI® DMC-782 Series</b> .....	<b>328</b>
<i>Portable Coin Counting Scales</i>	
<b>A&amp;D® Weighing HC-i Series</b> .....	<b>329</b>
<i>Industrial Counting Scales</i>	
<b>A&amp;D® Weighing FC-i/Si Series</b> .....	<b>329</b>
<i>High Resolution Counting Scales</i>	
<b>OHAUS® Ranger™ Count 3000</b> .....	<b>330</b>
<i>Industrial Counting Scales</i>	

The following product names, logos, brands and other trademarks featured or referred to within this publication are the property of their respective trademark holders.

# Rice Lake Counterpart®

Configurable Counting Indicator



## Approvals



Measurement  
Canada  
Approved



## Standard Features

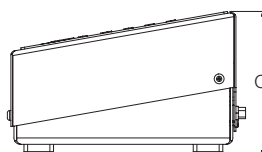
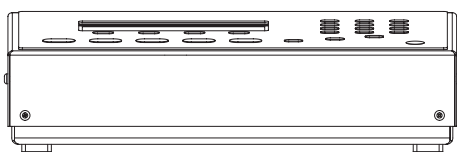
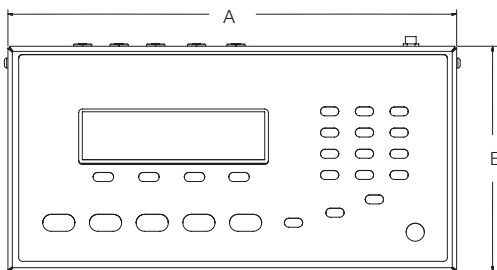
- AC operated (battery operation is optional)
- LCD graphic transmissive display for indoor viewing
- Single- or dual-channel models with serial scale input
- Mix and match platforms with console
- Four setpoint outputs for counting
- Two RS-232 ports for connecting peripherals
- Ethernet TCP/IP
- Scanner input (RS-232)
- PC software utility (Revolution®) for setup
- 150 item memory

## Options

- Wireless LAN
- Rechargeable battery
- USB connection for keyboard
- WeighVault™ software for ID entry, data registers and reports

## Dimensions

Rice Lake Counterpart			
A	12.30 in (312 mm)	C	3.94 in (100 mm)
B	6.17 in (157 mm)		



## Specifications

### Power Source:

**Input:** 100 to 240 VAC, 47 to 63 Hz, 5 watts

U.S. power cord

**Output:** 9 to 12 V, 1.5 A max

### Excitation Voltage:

5 VDC

### Analog Signal Input Range:

0 to 4.5 mV/V

### Analog Specifications:

Grad minimum: .3  $\mu$ V/grad

Input sensitivity: 1.5  $\mu$ V/grad recommended

Zero adjustment range: 0 to 100% or per region settings

A/D conversion rate: 7.5, 15, 30 samples per second

Load cells per scale: 8 x 350 ohm; 16 x 700 ohm

Scale channels: 1 or 2

Linearity:  $\pm$ 0.017 full scale

### Circuit Protection:

RFI, EMI, ESD protection

### Digital I/O:

Four

### Display:

Viewing area: 240 x 64 pixels, transmissive VGA liquid crystal display (LCD) with adjustable contrast

### Keys/Buttons:

24 buttons, full keypad (alpha numeric)

### Resolution:

Internal:

1,000,000 counts

Display: up to 100,000

### Communications Ports:

Two RS-232 ports support up to 115,200 bps

20 mA

Ethernet port

Setpoint output

### Annunciators:

PCS, motion, low battery, insuff, recomp, scale number, gross, net, zero

### Units of Measure:

Pounds, kilograms, grams, ounces

### Prints:

Standard EPL label format; format is changeable to work with virtually any printer

### Battery (optional):

Type: Lithium-ion

Charge time: 6 to 8 hours

Charge cycles: 400 to 1,200

Estimated runtime: 24 to 32 hours with one

350 ohm load cell base

### Temperature:

Operating: 32 °F to 104 °F (0 °C to 40 °C)

### Operating Humidity:

85%

### Physical Dimensions:

(L x W x H)

Indicator only

12.25 x 6.25 x 4.00 in

(311 x 159 x 102 mm)

### Warranty:

Two-year limited

### Approvals:

NTEP Certified CC 12-110

CE Marked

UL Listed

Measurement Canada AM-5918C

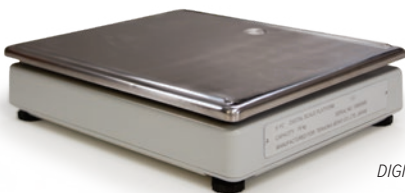


## Part Number/Price

Part #	Model #	Capacity	Platter Dimensions	Est. Weight	Price
118788	CP single-channel indicator	Console only	—	10 lb (4.5 kg)	\$1,050.00
120770	CP dual-channel indicator	Console only	—	10 lb (4.5 kg)	\$1,080.00
132429	CP single-channel, EU power cord	Console only	—	10 lb (4.5 kg)	\$1,050.00
132431	CP dual-channel, EU power cord	Console only	—	10 lb (4.5 kg)	\$1,080.00
<b>Single Channel with DIGI® S-YC base system and bracket</b>					
155089	CP-1	1 × 0.0001 lb (500 × 0.05 g)	7.9 × 5.6 in (200 × 142 mm)	35 lb (15.9 kg)	\$1,450.00
155090	CP-2	2 × 0.0002 lb (1 × 0.0001 kg)	9.6 × 6.9 in (244 × 175 mm)	35 lb (15.9 kg)	\$1,450.00
155092	CP-5	5 × 0.0005 lb (2.5 × 0.0002 kg)	13.4 × 11 in (341 × 284 mm)	35 lb (15.9 kg)	\$1,395.00
155094	CP-10	10 × 0.001 lb (5 × 0.0005 kg)	13.4 × 11 in (341 × 284 mm)	35 lb (15.9 kg)	\$1,395.00
155097	CP-25	25 × 0.002 lb (10 × 0.001 kg)	13.4 × 11 in (341 × 284 mm)	35 lb (15.9 kg)	\$1,395.00
155101	CP-50	50 × 0.005 lb (25 × 0.002 kg)	13.4 × 11 in (341 × 284 mm)	35 lb (15.9 kg)	\$1,395.00
<b>Dual Channel with DIGI S-YC base system and bracket (second channel available for use with other bases)</b>					
155115	CP-1	1 × 0.0001 lb (500 × 0.05 g)	7.9 × 5.6 in (200 × 142 mm)	35 lb (15.9 kg)	\$1,500.00
155116	CP-2	2 × 0.0002 lb (1 × 0.0001 kg)	9.6 × 6.9 in (244 × 175 mm)	35 lb (15.9 kg)	\$1,500.00
155117	CP-5	5 × 0.0005 lb (2.5 × 0.0002 kg)	13.4 × 11 in (341 × 284 mm)	35 lb (15.9 kg)	\$1,470.00
155118	CP-10	10 × 0.001 lb (5 × 0.0005 kg)	13.4 × 11 in (341 × 284 mm)	35 lb (15.9 kg)	\$1,470.00
155119	CP-25	25 × 0.002 lb (10 × 0.001 kg)	13.4 × 11 in (341 × 284 mm)	35 lb (15.9 kg)	\$1,470.00
155120	CP-50	50 × 0.005 lb (25 × 0.002 kg)	13.4 × 11 in (341 × 284 mm)	35 lb (15.9 kg)	\$1,470.00
<b>Dual Channel with BenchMark™ base system and bracket (second channel available for use with other bases)</b>					
125113	CP-50BM	50 × 0.01 lb (20 × 0.005 kg)	12 × 18 in (305 × 457 mm)	45 lb (20.4 kg)	\$1,525.00
125116	CP-100BM	100 × 0.02 lb (50 × 0.01 kg)	12 × 18 in (305 × 457 mm)	45 lb (20.4 kg)	\$1,525.00

## Options/Accessories

Part #	Description	Price
124692	Rechargeable lithium-ion battery option	\$310.00
53828	14-pin Y-cable, connects 2 remote DIGI bases	\$90.00
32375	Connector, 14-pin Amphenol load cell (can be soldered to home run cable)	\$21.00
125062	Ethernet quick access coverplate for Counterpart	\$21.00
130537	USB connection for USB keyboard only	\$160.00
179211	QWERTY keyboard, USB interface (requires 130537 USB interface option)	\$47.50
125079	Quick access 9-pin cover plate	\$10.50
120767	Quick access 14-pin Amphenol cover plate	\$15.75
125495	Wireless LAN card Wi-Fi 802.11 a/b, optional kit	\$600.00
125546	WeighVault™ software for Counterpart	\$265.00
118677	Operators manual (Part #129606 Spanish operator's manual)	\$26.50
121459	Front mount bracket for Rice Lake BenchMark™ scales, S-XL bases	\$53.00
154700	Front mount bracket for DIGI S-YC scales	\$53.00
121474	Firmware download cable	\$37.00
121501	Stand, angled free standing for tabletop	\$84.00
128063	Power supply, 12 V (power cord sold separately)	\$58.00
15438	Power cord	\$25.00
<b>Printers/Cables</b>		
167515	GoDEX DT2x printer, 2 in direct thermal, 203 dpi, real time clock 110/240 VAC	\$365.00
65617	Direct thermal label, (W × L): 2.25 × 4.5 in, 1 in core, 5 in OD perfed	\$17.50
41276	Cable DB9M to blunt end RS-232 cable for DT2	\$77.00
78860	Ethernet cross cable for direct connection to WeighVault™	\$40.00
<b>Scanner</b>		
121495	Kit, QuickScan QD2131 RS-232 scanner, cable stand and DB9 quick connect cable (supplies power to scanner, can reduce battery run time)	\$390.00



DIGI® Scale Base



Shown with BenchMark® Scale Base and Bracket

# DIGI® S-YC Series

Remote Scale Base Platforms



## Standard Features

- Stainless steel platter
- ABS injection-molded plastic base
- Single-point strain gauge load cell
- Adjustable legs
- Leveling bubble
- 14-pin connector on three-meter cable

## Specifications

### Output Impedance:

350 ± 5 ohm

### Insulation Resistance:

> 500 megohm

### Rated Output:

1.0016 mV/V

### Color Code:

Green +Output  
Yellow -Output  
Black Shield  
White -Input  
Red +Input

### Load Cell Type:

K-Type DIGI cell

### Load Cell Cable Length:

118 in (3 m)

### Operating Temperature:

14 °F to 104 °F (-10 °C to 40 °C)

### Warranty:

Two-year limited

## Part Number/Price

Part #	Description	Platter Dimensions	Overall Dimensions	Est. Weight	Price
154835	500 g (1 lb)	7.9 × 5.6 in (201 × 143 mm)	13.4 × 11.1 × 3.5 in (341 × 284 × 90 mm)	7.7 lb (3.5 kg)	\$775.00
154836	1 kg (2 lb)	9.6 × 6.9 in (244 × 177 mm)	13.4 × 11.1 × 3.5 in (341 × 284 × 90 mm)	7.7 lb (3.5 kg)	\$775.00
154838	2.5 kg (5 lb)	13.4 × 11.1 in (341 × 284 mm)	13.4 × 11.1 × 4.75 in (341 × 284 × 120 mm)	11 lb (5 kg)	\$700.00
154839	5 kg (10 lb)	13.4 × 11.1 in (341 × 284 mm)	13.4 × 11.1 × 4.75 in (341 × 284 × 120 mm)	11 lb (5 kg)	\$700.00
154840	10 kg (20 lb)	13.4 × 11.1 in (341 × 284 mm)	13.4 × 11.1 × 4.75 in (341 × 284 × 120 mm)	11 lb (5 kg)	\$700.00
154841	25 kg (50 lb)	13.4 × 11.1 in (341 × 284 mm)	13.4 × 11.1 × 4.75 in (341 × 284 × 120 mm)	11 lb (5 kg)	\$700.00



### Approvals



### Standard Features

- Auto-recomputing function
- Negative sampling and counting (count out of a full container)
- Bright green LED
- Simultaneous weight display, unit weight, tare and quantity
- Net/gross weight display
- Lb/kg weight display conversion
- Full-duplex RS-232 output to PC or printer
- AC or rechargeable battery operation (battery optional)
- Choice of unit weight per thousand or average piece weight
- Remote scale capability
- 100 product look up registers
- NTEP for non-counting applications
- Remote scale interface

### Specifications

#### Internal Resolution:

1/1,000,000

#### Weight Display Resolution:

1/5,000 NTEP, other selections capacity dependent

#### Display:

LED  
 Weight: Five-digit  
 Unit weight: Five-digit  
 Quantity: Seven-digit  
 Tare: Five-digit

#### Power Source Consumption:

AC: 115 VAC, 60 Hz  
 Optional battery: 6 V, 5.0 Ah

#### Printer Compatibility:

Zebra® GK-421  
 Zebra GK-421T  
 Epson® TM-U220 tape  
 STAR® SP512 tape  
 Epson® TM-U295 ticket  
 GoDex® G500

#### Zero Adjust Range:

± 127% full scale

#### Input Sensitivity:

0.4 to 4 mV/V

#### Load Cell Excitation:

5 VDC

#### Number of Scale Channels:

One local  
 One remote

#### Memory Items:

100 items

#### Load Cell Input Connector:

Amphenol 14-Pin

#### Computer Interface:

RS-232 DB-9M connection

#### Battery Operation:

24 hours of continuous usage

#### Charge Time:

8 to 10 hours

#### Operating Temperature:

23 °F to 104 °F (-5 °C to 40 °C)

#### Dimensions:

(L × W × H)  
 14.00 × 13.75 × 4.50 in  
 (354 × 349 × 115 mm)

#### Warranty:

Two-year limited

#### Approvals:

NTEP 07-015  
 (10 to 100 lb) Class III for weigh mode only  
 10 to 100 lb scales only

### Part Number/Price

Part #	Description	Weighing Resolution	Platter	Est. Weight	Price
88928 *	DC-788, 2 lb (1 kg)	0.0002 lb (0.0001 kg)	7 × 10 in (178 × 254 mm)	15 lb (7 kg)	\$875.00
88929	DC-788, 10 lb (5 kg)	0.002 lb (0.001 kg)	10 × 13 in (254 × 330 mm)	15 lb (7 kg)	\$875.00
88930	DC-788, 25 lb (10 kg)	0.005 lb (0.002 kg)	10 × 13 in (254 × 330 mm)	15 lb (7 kg)	\$875.00
88931	DC-788, 50 lb (25 kg)	0.01 lb (0.005 kg)	10 × 13 in (254 × 330 mm)	15 lb (7 kg)	\$875.00
88932	DC-788, 100 lb (50 kg)	0.02 lb (0.01 kg)	10 × 13 in (254 × 330 mm)	15 lb (7 kg)	\$1,095.00
Part #	Description	Platter Dimensions	Overall Dimensions	Est. Weight	Price
<b>Optional DIGI S-YC Remote Scale Bases</b>					
154835	500 g (1 lb)	7.9 × 5.6 in (201 × 143 mm)	13.4 × 11.1 × 3.5 in (341 × 284 × 90 mm)	7.7 lb (3.5 kg)	\$775.00
154836	1 kg (2 lb)	9.6 × 6.9 in (244 × 177 mm)	13.4 × 11.1 × 3.5 in (341 × 284 × 90 mm)	7.7 lb (3.5 kg)	\$775.00
154838	2.5 kg (5 lb)	13.4 × 11.1 in (341 × 284 mm)	13.4 × 11.1 × 4.75 in (341 × 284 × 120 mm)	11 lb (5 kg)	\$700.00
154839	5 kg (10 lb)	13.4 × 11.1 in (341 × 284 mm)	13.4 × 11.1 × 4.75 in (341 × 284 × 120 mm)	11 lb (5 kg)	\$700.00
154840	10 kg (20 lb)	13.4 × 11.1 in (341 × 284 mm)	13.4 × 11.1 × 4.75 in (341 × 284 × 120 mm)	11 lb (5 kg)	\$700.00
154841	25 kg (50 lb)	13.4 × 11.1 in (341 × 284 mm)	13.4 × 11.1 × 4.75 in (341 × 284 × 120 mm)	11 lb (5 kg)	\$700.00

\*Non-NTEP

### Options/Accessories

Part #	Description	Price
88933	Rechargeable battery—lead acid type	\$80.00
73386	Anti-static sample tray	\$26.00
32375	14-pin load cell connector, Amphenol (remote base, non-DIGI)	\$21.00
35319	14-pin load cell connector with 20 ft cable	\$72.00
91685	Additional operating and service manual	\$26.00
70056	Nine-pin printer cable to DT4, G500	\$40.00
72440	Nine-pin printer cable to Epson TM-U220/TM-U295 SP512	\$67.00
66535	Nine-pin cable to PC, null modem cable, to be used with Zebra printers	\$46.00
91214	AC adapter 110-230 VAC, U.S. plug	\$46.00
<b>Printers</b>		
212409	Zebra ZD421D, direct thermal printer.	\$699.00
212406	Zebra ZD421T, thermal transfer printer	\$745.00
132425	Godex G500, 4 in direct/thermal transfer, 110/240 VAC printer	\$615.00
65617	Label, 2.25 in × 4.5 in, direct thermal	\$17.50

# DIGI® DC-782 Series

Portable Counting Scales



## Standard Features

- Liquid crystal display (LCD) with yellow backlight
- 10 preset keys for product ID
- 25 item memory
- Buzzer - low, ok, high

## Specifications

**Internal Resolution:**  
1/500,000

**Weight Display Resolution:**  
1/7,500 or 1/6,000

**Display:**  
Liquid crystal display (LCD) with backlight  
Weight: five-digit  
Unit weight: five-digit  
Quantity: six-digit

**Power Source:**  
120 VAC power supply (U.S. power cord)

**Number of Scale Channels:**  
One local

**Memory Items:**  
25

**Optional Battery:**  
Charge time: 12 to 14 hours  
Estimated runtime: 300 hours (no backlight)

**Operating Temperature:**  
14 °F to 104 °F (-10 °C to 40 °C)

**Dimensions:**  
(L × W × H)  
13.78 × 13.22 × 4.88 in  
(350 × 336 × 124 mm)

**Platter Size:**  
12.00 × 8.90 in  
(305 × 226 mm)

**Warranty:**  
Two-year limited

## Part Number/Price

Part #	Description	Capacity	Est. Weight	Price
108248	DC-782	6 × 0.001lb	11 lb (5 kg)	\$557.00
108249	DC-782	15 × 0.002 lb	11 lb (5 kg)	\$557.00
108250	DC-782	30 × 0.005 lb	11 lb (5 kg)	\$557.00
108251	DC-782	60 × 0.01lb	11 lb (5 kg)	\$557.00

## Options/Accessories

Part #	Description	Price
108516	Rechargeable battery	\$50.00
108518	AC adapter 110 - 230 VAC	\$50.00
109429	Manual	\$26.00
73296	Carrying case	\$205.00

# DIGI® DMC-782 Series

Portable Coin Counting Scales



## Standard Features

- Liquid crystal display (LCD) with yellow backlight
- 18 preset keys for product ID
- Programmable denomination unit weight and tare weight
- Accumulation
- Toggle display: count and money value
- Total amount calculation utilizing reverse counting

## Options

- Rechargeable battery
- Carrying case

## Specifications

**Internal Resolution:**  
1/500,000

**Weight Display Resolution:**  
1/7,500 or 1/6,000

**Display:**  
Liquid crystal display (LCD) with backlight  
Weight: five-digit  
Denomination: five-digit  
Quantity/Amount: six-digit

**Power Source:**  
120 AC power supply or optional rechargeable battery

**Optional Battery:**  
Charge time: 12 to 14 hours  
Battery life: 300 hours (no backlight)

**Number of Scale Channels:**  
One local

**Memory Items:**  
18

**Operating Temperature:**  
14 °F to 104 °F (-10 °C to 40 °C)

**Dimensions:**  
(L × W × H)  
13.7 × 13.2 × 4.8 in  
(350 × 336 × 124 mm)

**Platter Size:**  
(L × W)  
8.90 × 12.00 in  
(255 × 300 mm)

**Warranty:**  
Two-year limited

## Part Number/Price

Part #	Description	Capacity	Est. Weight	Price
111317	DMC-782	6 × 0.001lb	11 lb (5 kg)	\$610.00
111318	DMC-782	15 × 0.002 lb	11 lb (5 kg)	\$610.00
111319	DMC-782	60 × 0.01 lb	11 lb (5 kg)	\$610.00

## Options/Accessories

Part #	Description	Price
15438	Power cord	\$25.00
111781	Manual	\$26.00
108516	Rechargeable battery	\$50.00
73296	Carrying case, hard shell with locking latches	\$205.00

# A&D® Weighing HC-i Series

Industrial Counting Scales



## Standard Features

- Sealed removable display unit
- Automatic Counting Accuracy Improvement (ACA)
- Audible Weighing Assist beeping function (AWA)
- Display function - Hi/OK/Lo
- Accumulation function
- Full-digital calibration function
- Auto power-off function

## Options

- Rechargeable battery
- RS-232C

## Specifications

### Internal Resolution:

HC-3 Ki, 6 Ki, 30 Ki: 1/600,000  
HC-15 Ki: 1/750,000

### Display:

Seven-segment LCD  
Character height: pcs 18.6 mm  
Unit weight: 11.4 mm

### Power Source (included):

AC adapter or SLA battery option  
Operating time approximately 80 hours  
without interface

### Number of Scale Channels:

One local

### Memory Items:

99 weight registers

### Weight Sensor:

Load cell

### Operating Temperature:

14 °F to 104 °F (-10 °C to 40 °C)

### Dimensions:

(L × W × H)  
12.40 × 13.00 × 5.00 in  
(315 × 331 × 126 mm)

### Warranty:

Two-year limited

## Part Number/Price

Part #	Model #	Description	Pan Size	Price
112837	HC-3 Ki	6 × 0.001 lb (3 × 0.0005 kg)	11.8 × 8.3 in (300 × 211 mm)	\$840.00
112838	HC-6 Ki	15 × 0.002 lb (6 × 0.001 kg)	11.8 × 8.3 in (300 × 211 mm)	\$840.00
112839	HC15 Ki	30 × 0.005 lb (15 × 0.002 kg)	11.8 × 8.3 in (300 × 211 mm)	\$840.00
112840	HC-30 Ki	60 × 0.01 lb (30 × 0.005 kg)	11.8 × 8.3 in (300 × 211 mm)	\$840.00

## Options/Accessories

Part #	Model #	Description	Price
112841	HC-03 i	RS-232C for HC-i	\$95.00
112842	HC-06 i	Rechargeable battery pack	\$53.00
97766	TB:662	AC adapter, 120 V, standard with unit	\$47.50

# A&D® Weighing FC-i/Si Series

High Resolution Counting Scales



## Standard Features

- 500 ID memory storage
- LED keypad prompting for intuitive operator use
- Automatic Counting Accuracy Improvement (ACA)
- Display function - Hi/OK/Lo
- Rugged aluminum die-cast frame with splash-proof display and keyboard

## Options

- Remote scale

## Specifications

### Internal Resolution:

Si Series: 1/5,000,000  
FC-i Series: 1/1,000,000

### Display:

Vacuum fluorescent display (VFD)  
Seven segment

### Power Source (included):

110 VAC 50/60 Hz AC adapter  
230 VAC 50/60 Hz AC adapter

### Number of Scale Channels:

One local  
One remote (optional)

### Memory Items:

500 ID - six-digit ID, unit weight, tare weight, comparator limits, accumulator and 12-digit ID name

### Weight Sensor:

Si: Super hybrid sensor (SHS)  
FC-i: Strain gauge load cell

### Operating Temperature:

Si: 41 °F to 104 °F (5 °C to 40 °C)  
FC-i: 14 °F to 104 °F (-10 °C to 40 °C)

### Dimensions:

(L × W × H)  
13.0 × 18.2 × 4.6 in  
(330 × 462 × 117 mm)

### Warranty:

Two-year limited

## Part Number/Price

Part #	Model #	Description	Min Sample Weight	Pan Size	Price
108351	FC-500Si	1 × 0.00005 lb (500 g × .02 g)	0.0001g	5 × 5 in (127 × 127 mm)	\$2,080.00
108352	FC-5000Si	10 × 0.0005 lb (5 kg × .2 g)	0.001g	6.5 × 6.5 in (165 × 165 mm)	\$2,080.00
108353	FC-1000i	2 × 0.0002 lb (1kg × .1g)	0.001g	8 × 6 in (203 × 152 mm)	\$1,530.00
108354	FC-2000i	5 × 0.0005 lb (2 kg × .2 g)	0.002 g	11.8 × 11 in (300 × 279 mm)	\$1,530.00
108355	FC-5000i	10 × 0.001 lb (5 kg × .5 g)	0.005 g	11.8 × 11 in (300 × 279 mm)	\$1,530.00
108356	FC-10Ki	20 × 0.002 lb (10 kg × 1g)	0.01g	11.8 × 11 in (300 × 279 mm)	\$1,530.00
108357	FC-20Ki	50 × 0.005 lb (20 kg × 2 g)	0.02 g	11.8 × 11 in (300 × 279 mm)	\$1,530.00
108358	FC-50Ki	100 × 0.01 lb (50 kg × 5 g)	0.05 g	11.8 × 11 in (300 × 279 mm)	\$1,530.00

## Options/Accessories

Part #	Model #	Description	Price
108360	FC-05i	Remote scale connection	\$175.00
97613	TB:636	AC adapter 120 V - standard with unit	\$47.50
97631	TB:164	AC adapter 240 V	\$69.00

COUNTING SCALES



# OHAUS® Ranger™ Count 3000

Industrial Counting Scales



## Standard Features

- Weigh in kilograms, pounds, grams or ounces
- 30-item data storage
- Three backlit LCD display windows
- RS-232 output
- Quick stabilization

## Options

- Ethernet
- Remote scale

## Specifications

### Internal Resolution:

1/500,000

### Display:

Seven-segment 1/30,000, six-digit

### Power Source (included):

100 to 240 VAC, 50 to 60 Hz internal universal power supply

### Battery:

Lead acid, 210 hours, 12 hours recharge

### Number of Scale Channels:

One local  
One remote (optional)

### Memory Items:

(30) 12-digit part number, average piece weights, check counting or checkweighing parameters, tare weights, accumulated weights or counts

### Operating Temperature:

14 °F to 104 °F (-10 °C to 40 °C)

### Dimensions:

(L × W × H)  
12.2 × 12.9 × 4.6 in  
(311 × 327 × 117 mm)

### Platter Size:

11.8 × 8.9 in (300 × 225 mm)

### Approvals:

NTEP Certified 13-022 3000 e  
CAN/CSA-C22.2 No. 61010-1-04  
UL Std. No. 61010-1 (2nd edition)

### Warranty:

One-year limited

## Approvals



## Part Number/Price

Part #	Model #	Description (lb) (kg) (oz) (g)	Est. Weight	Price
157273	RC31P1502	3 × 0.0001 lb (1.5 × 0.00005 kg) (48 × 0.002 oz) (1,500 × 0.05 g)	12 lb (5.45 kg)	\$891.00
157275	RC31P3	6 × 0.0002 lb (3 × 0.0001 kg) (96 × 0.05 oz) (3,000 × 0.1 g)	12 lb (5.45 kg)	\$891.00
157277	RC31P6	15 × 0.0005 lb (6 × 0.0002 kg) (240 × 0.01 oz) (6,000 × 0.2 g)	12 lb (5.45 kg)	\$891.00
157278	RC31P15	30 × 0.001 lb (15 × 0.0005 kg) (480 × 0.02 oz) (15,000 × 0.5 g)	12 lb (5.45 kg)	\$891.00
157279	RC31P30	60 × 0.002 lb (30 × 0.001 kg) (960 × 0.05 oz) (30,000 × 1 g)	12 lb (5.45 kg)	\$891.00

## Options/Accessories

Part #	Description	Price
157280	Remote second scale option kit	\$168.00
154638	Ethernet kit	\$168.00



# Dimensioning

## TABLE OF CONTENTS

<b>Weigh-n-Dimension Systems</b> .....	<b>332</b>
<i>iDimension Plus and BenchPro Shipping Scale Package</i>	
<b>iDimension® Plus / Plus XL</b> .....	<b>333</b>
<i>Static Dimensioning System</i>	
<b>iDimension® Plus Mobile Cart</b> .....	<b>337</b>
<b>iDimension® Flex Series</b> .....	<b>338</b>
<i>Parcel and Pallet Static Dimensioning System</i>	
<b>iDimension® PWD System</b> .....	<b>340</b>
<i>Pallet Weighing and Dimensioning System</i>	
<b>iDimension® LTL / LTL XL</b> .....	<b>342</b>
<i>Pallet Dimensioning System</i>	
<b>iDimension® SS</b> .....	<b>345</b>
<i>Integration Software</i>	

Product names, logos, brands and other trademarks featured or referred to within this publication are the property of their respective trademark holders.

# Weigh-n-Dimension Systems

iDimension Plus and BenchPro Shipping Scale Package

DIMENSIONING



## Packages

- Package 1 includes: iDimension Plus 1.5 m pole assembly, Rice Lake BenchPro shipping scale (150 lb)
- Package 2 includes: iDimension Plus 4K 1.5 m pole assembly, Rice Lake BenchPro shipping scale (150 lb)
- Package 3 includes: iDimension Plus 1.5 m pole assembly, Rice Lake BenchPro shipping scale (150 lb), kit for connection to shipping software, barcode scanner with four- port USB hub and computer cables
- Package 4 includes: iDimension Plus 4K 1.5 m pole assembly, Rice Lake BenchPro shipping scale (150 lb), kit for connection to shipping software, barcode scanner with four- port USB hub and computer cables

## iDimension Plus

- Easy to assemble in 30 minutes or less
- Displays dimensions in 0.2 seconds
- No special package placement requirements
- Includes touch screen monitor
- Capable to dimension opaque packaging
- Measurement capabilities beyond Legal for Trade limits
- Color camera included
- High resolution color image, 2880 x 2160 pixels, available from iDimension Plus 4 K
- iDimension Desktop Wedge program available as free download from [www.ricelake.com](http://www.ricelake.com)

## Approvals



## Measurement Capabilities

Model	1.5 m	
Platform Distance	60 in (1,500 mm)	
Min/Max	Min	Max
Length	1.2 in (30 mm)	48 in (1,200 mm)
Width	1.2 in (30 mm)	32 in (800 mm)
Height	0 in (0 mm)	28 in (700 mm)
Division	0.2 in (5 mm)	

Legal for Trade approved minimum and maximum measurements are available from the country specific certificate of approval.

## Part Numbers/Price

Part #	Description	Price
221294	iDimension Plus 1.5 m pole assembly with BenchPro shipping scale 150 lb (Package 1)	\$7,970.00
221295	iDimension Plus 4K 1.5 m pole assembly with BenchPro shipping scale 150 lb (Package 2)	\$9,570.00
221296	iDimension Plus 1.5 m pole assembly with BenchPro shipping scale 150 lb with Quick Scan barcode scanner, four-port USB hub and necessary cables (Package 3)	\$8,675.00
221297	iDimension Plus 4K 1.5 m pole assembly with BenchPro shipping scale 150 lb with Quick Scan barcode scanner, four-port USB hub and necessary cables (Package 4)	\$10,275.00

## Options/Accessories

Part #	Description	Price
202027	Optional Factory Support: Up to 2 hours iDimension Plus remote support, includes initial configuration and scale setup, iDimension Desktop Wedge installation and operator training	\$250.00
Consult	Optional Extended Warranty - two-year standard iDimension Plus additional one-year extended warranty	\$750.00

## BenchPro

- Large six-digit backlight LCD display with 1-inch characters protected by heavy-duty tempered glass
- USB HID interface
- Powered through USB interface with dimensioner

## iDimension Plus Specifications

### Power Requirements:

110 to 240 V US power cord (included)

### Communication Ports:

- (1) USB A
- (1) 10/100/1000 Base-T Ethernet

### Display:

7 in (178 mm) touchscreen

### Software Integration:

Simple API network integration through HTTP requests, status checking and XML parsing

### Temperature Range:

32 °F to 104 °F (0 °C to 40 °C)

### Integration Tools:

Rest API  
iDim Desktop Wedge with SDK (software developers kit)

### Approvals:

NTEP 19-040A2  
OIML R129/2000-A-NL1-20.05  
NMI Certified  
MID Certified  
CE Marked

### Warranty:

Two-year limited

## BenchPro Specifications

### Weigh Platter:

12 × 14 inch  
150 × 0.05 lb / 75 × 0.02 kg capacity

### Battery Power:

Four AA alkaline batteries, 6 V, with low battery indication at 4 V

### Battery Life:

50 to 250 hrs depending on backlight and auto-shutdown settings

### Annunciators:

Six: zero, gross/brutto, net, W1/W2/W3 multi-range

### Display:

Large six-digit backlight LCD display with 1-inch characters protected by heavy-duty tempered glass

### Communication Port:

USB HID interface 2.0 full speed

### Integration Tools:

Rest API  
iDim Desktop Wedge with SDK (software developers kit)

### Approvals:

NTEP 17-002  
Measurement Canada AM-6050  
CE Marked

# iDimension® Plus / Plus XL

Static Dimensioning System



## Standard Features

- iDim Plus package includes: Base plate, pole assembly, USB display, calibration object, US power cord, operating manual and assembly tool kit
- iDim Plus XL package includes: iDimension Plus XL scanner head, 10 ft Ethernet cable, USB display, calibration object, US power cord and operating manual
- Easy to assemble in 30 minutes or less
- Displays dimensions in 0.2 seconds
- No special package placement requirements
- Capable to dimension opaque packaging
- Measurement capabilities beyond Legal for Trade limits
- Standard resolution color camera
- High resolution color image, 2880 × 2160 pixels, available from iDimension Plus 4K

## Options

- iDimension SS (Software Suite) or iDimension Desktop Wedge programs for data integration
- Powered USB hub for use of more than one peripheral
- Wired or wireless USB bar code scanner
- Rice Lake BenchPro shipping/postal scales
- Rice Lake 680, 880, 1280 indicators available for automation applications

## Specifications

### Power Requirements:

110 to 240 VAC  
US power cord (included)

### Communication Ports:

(1) USB A  
(1) 10/100/1000 Base-T Ethernet

### Display:

7 in (178 mm) touchscreen monitor

### Accuracy:

Certified Legal for Trade at 0.2 in (5 mm) cuboidal shapes  
Certified Legal for Trade at 0.5 in (10 mm) irregular shapes

### Software Integration:

Simple API network integration through HTTP requests, status checking and XML parsing

### Temperature Range:

Certified: 32 °F to 104 °F (0 °C to 40 °C)

### Humidity:

Non-condensing

### Warranty:

Two-year limited

### Approvals:

NTEP 19-040  
OIML T11908  
CE  
EU Mid  
FCC  
NMI

## Approvals



## Measurement Capabilities Based on Pole Assembly Height

Model	1.2 m		1.5 m		2 m XL	
Platform Distance	48 in (1,200 mm)		60 in (1,500 mm)		80 in (2,000 mm)	
Min/Max	Min	Max	Min	Max	Min	Max
Length	1.2 in (30 mm)	40 in (1,000 mm)	1.2 in (30 mm)	48 in (1,200 mm)	8 in (203 mm)	48 in (1,200 mm)
Width	1.2 in (30 mm)	24 in (600 mm)	1.2 in (30 mm)	32 in (800 mm)	8 in (203 mm)	32 in (800 mm)
Height	0 in (0 mm)	24 in (600 mm)	0 in (0 mm)	28 in (700 mm)	4 in (102 mm)	32 in (800 mm)
Division	0.2 in (5 mm)		0.2 in (5 mm)		0.5 in (10 mm)	

Legal for Trade approved minimum and maximum measurements are available from the country specific certificate of approval.

## Part Numbers/Price

Part #	Description	Price
<b>Parcels less than 40 inches (1.2m pole)</b>		
204599	iDimension Plus 1.2m pole assembly	\$7,245.00
204600	iDimension Plus 4K 1.2m pole assembly	\$8,845.00
<b>Parcels less than 48 inches (1.5m pole)</b>		
204596	iDimension Plus 1.5m pole assembly	\$7,245.00
204598	iDimension Plus 4K 1.5m pole assembly	\$8,845.00
<b>iDimension Plus XL</b>		
204601	iDimension Plus XL	\$5,295.00
204602	iDimension Plus XL 4K	\$7,345.00
<b>iDimension Plus XL Mounting Options</b>		
174660	iDimension XL floor stand	\$1,400.00
198708	iDimension XL mounting hardware and cable assembly kit with 25 ft North American power cord	\$175.00
206583	iDimension XL mounting hardware and cable assembly kit without power cord	\$175.00
184262	iDimension USB operator display RAM® mount kit	\$145.00

# iDimension® Plus / Plus XL

Static Dimensioning System

DIMENSIONING

## Options/Accessories

Part #	Description	Price
<b>Accessories</b>		
180007	Kit, USB Hub, 5 m cable assembly, power adapter, four-port industrial USB hub, US power supply	\$280.00
180771	Kit, USB Hub for shipping software integration, Includes four-port USB hub, power adapter USB to serial cables. Barcode scanner not included	\$430.00
205533	Power cord, detachable, German/French, 5 m, CEE 7/7, Type E plug	\$45.00
95589	Power cord, detachable, UK, 2.5m, BS1363 Type G plug	\$21.00
162630	Power cord, detachable, AU / NZ, 2.5m, 1332 Type 1 plug	\$35.00
178501	RS-232/USB cable, for use with compatible indicators	\$60.00
<b>Barcode Scanner</b>		
176307	QuickScan QD2131 USB barcode scanner	\$305.00
206225	Wireless Honeywell 1981IFR-3USB-5-N long-range barcode scanner	\$1,800.00
<b>Optional Integration Solutions</b>		
180771	Shipping software integration kit includes four-port industrial USB hub, power adapter and USB cables to connect computer and dimensioner	\$430.00
203010	iDimension Desktop Wedge requires Windows 10 or newer (Available for free download at <a href="http://www.ricelake.com">www.ricelake.com</a> )	N/C
175812	iDimension SS (software suite) web server software requires Windows 10 or newer	\$2,250.00
<b>Optional Factory Service and Support</b>		
202027	Up to 2 hours iDim Plus remote support, includes initial configuration and scale setup, iDimension Desktop Wedge installation and operator training.	\$250.00/Unit
<b>Extended Warranty – Two-year standard</b>		
202030	iDimension Plus one-year optional extended warranty	\$750.00

## Rice Lake BenchPro Compatible Scales

<b>Postal Scale 12 × 14 in (305 × 356 mm) Weigh Platter</b>		
194625 *	Model BP 1214-35P - 70 lb postal scale, painted mild steel weight platter	\$725.00
<b>Shipping Scale 12 × 14 in (305 × 356 mm) Weigh Platter</b>		
184585	Model BP 1214-75S, 150 × 0.05 lb / 75 × 0.02 kg painted mild steel weigh platter	\$725.00
<b>Shipping Scale 18 × 18 in (457 × 457 mm) Weigh Platter</b>		
202191	Model BP 1818-75S, 150 × 0.05 lb / 75 × 0.02 kg, painted mild steel weigh platter	\$1,590.00
201730	Model BP 1818-75S, 150 × 0.05 lb / 75 × 0.02 kg ball top weigh platter	\$1,835.00
202190	Model BP 1818-75S, 150 × 0.05 lb / 75 × 0.02 kg roller conveyor weigh platter	\$1,650.00
<b>Shipping Scale 20 × 20 in (508 × 508 mm) Weigh Platter</b>		
182396	Model BP 2020-150S, 300 × 0.1 lb / 150 × 0.05 kg, painted mild steel weigh platter	\$1,805.00
182397	Model BP 2020-150S, 300 × 0.1 lb / 150 × 0.05 kg, ball top weigh platter	\$2,035.00
182398	Model BP 2020-150S, 300 × 0.1 lb / 150 × 0.05 kg, roller conveyor weigh platter	\$1,769.00
<b>Shipping Scale 24 × 24 in (610 × 610 mm) Weigh Platter</b>		
182400	Model BP 2424-150S, 300 × 0.1 lb / 150 × 0.05 kg, painted mild steel weigh platter	\$2,005.00
182401	Model BP 2424-150S, 300 × 0.1 lb / 150 × 0.05 kg, ball top weigh platter	\$2,240.00
182402	Model BP 2424-150S, 300 × 0.1 lb / 150 × 0.05 kg, roller conveyor weigh platter	\$1,939.00

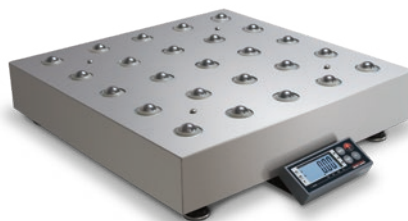
\*USB HID interface not available when in the postal scale lb/oz mode



Shown with ELS  
(Elevated Load Cell Stand)  
legs found on page 584,  
conveyor not included



Model BP 1214-S with mild steel weigh platter



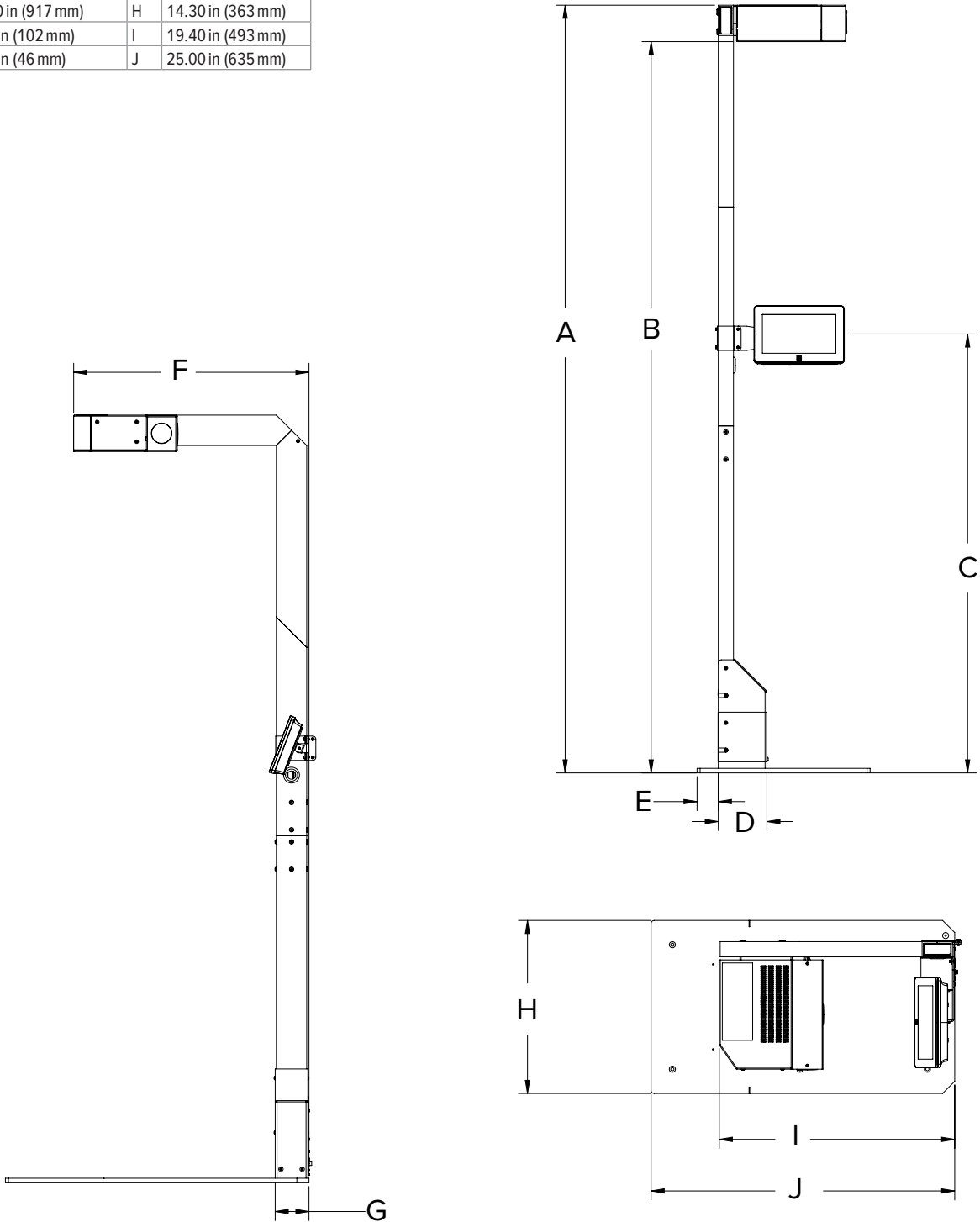
Model BP 1818-S with ball top weigh platter



Model BP 2424-S with roller conveyor weight platter

## Dimensions

iDimension Plus, 1.5m			
A	63.20 in (1,605 mm)	F	19.40 in (493 mm)
B	60.20 in (1,529 mm)	G	2.80 in (71 mm)
C	36.10 in (917 mm)	H	14.30 in (363 mm)
D	4.00 in (102 mm)	I	19.40 in (493 mm)
E	1.80 in (46 mm)	J	25.00 in (635 mm)



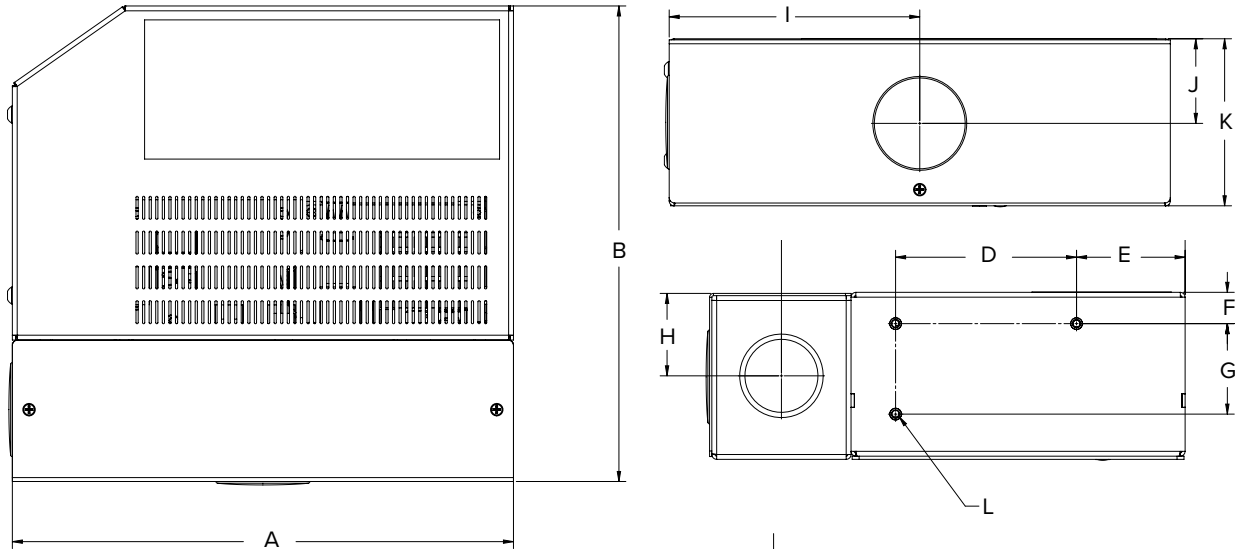
# iDimension® Plus / Plus XL

Static Dimensioning System

DIMENSIONING

## Dimensions

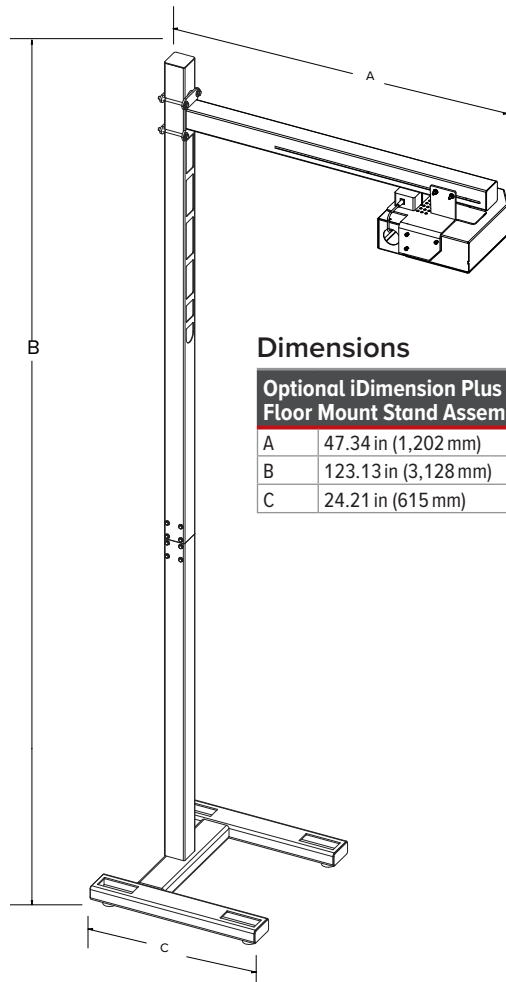
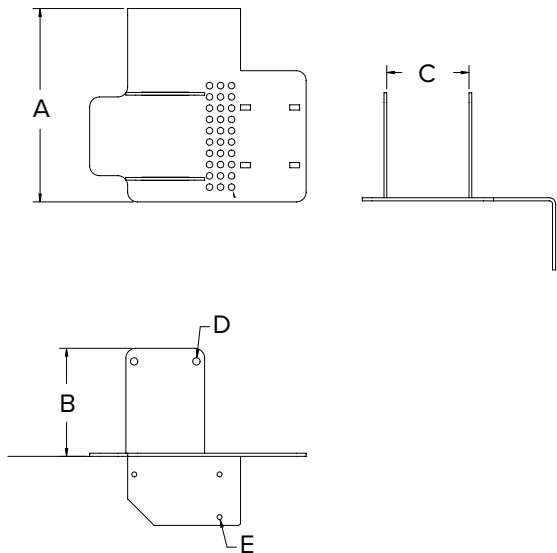
iDimension Plus XL Scanning Head Assembly					
A	9.00 in (229 mm)	F	0.60 in (15 mm)	K	3.00 in (76 mm)
B	8.50 in (216 mm)	G	1.60 in (41 mm)	L	M4 × 0.7 threaded hole
C	7.20 in (183 mm)	H	1.50 in (38 mm)		
D	3.30 in (84 mm)	I	4.50 in (114 mm)		
E	2.00 in (51 mm)	J	1.50 in (38 mm)		



## Dimensions

iDimension XL Mounting Bracket - PN 198708	
A	7.37 in (187 mm)
B	4.12 in (105 mm)
C	3.14 in (80 mm)
D	2x Ø.28
E	3x Ø.19

Use this bracket to mount iDimension XL Scanner head to the optional floor stand 174660 or to user provided structure



## Dimensions

Optional iDimension Plus XL Floor Mount Stand Assembly	
A	47.34 in (1,202 mm)
B	123.13 in (3,128 mm)
C	24.21 in (615 mm)



# iDimension® Plus Mobile Cart

Mobile Parcel System

DIMENSIONING



30in with PowerSwap  
Nucleus Lithium Power System



48in with Sealed  
Lead Acid Power System

iDimension Plus & scale  
not included

## Standard Features

- Push handle with laptop shelf, waste basket, 6 × 2 in rubber wheels with two locking casters, integrated power system and power strip

## Specifications

### Color:

Black powder coat

### Overall Cart Capacity:

125 lb (57 kg), not including iDimension Plus and scale

### Battery Type:

PowerSwap Nucleus® Lithium Power System

Output: 120 watts (1 battery)

240 watts (2 batteries)

Surge Power: 550/825 watts

Charge Time: 4-5 hours

Weight: Single battery 11 lbs

(5 kg)

Dimensions: 6.5 × 12.8 × 6.4 in

(165 × 326 × 163 mm)

Dimensions of power dock and charging Station:

17.75 × 11.63 × 10 in

(451 × 295 × 254 mm)

Sealed Lead Acid Power System

Output: 450 watts

Surge Power: 900 watts

Charge Time: 8 hours

Weight: 103 lb (46.8 kg)

Dimensions: 18.25 × 11 × 13 in

(464 × 302 × 330mm)

## Part Numbers/Price

Part #	Description	Est. Weight	Price
203934*	30 in (762 mm) long Atlas Series cart	310 lb	\$5,295.00
203935*	48 in (1,219 mm) long Atlas Series cart	330 lb	\$5,895.00
<b>PowerSwap Nucleus Lithium Power System</b>			
212177	Kit includes: dual pocket docking station, dual pocket charging station and 2 batteries on cart		\$6,295.00
212179	Kit includes: single pocket docking station, dual pocket charging station and 1 battery on cart		\$4,395.00
<b>Sealed Lead Acid Power System</b>			
212180	PowerPack Mega Series PP12 sealed lead acid battery with internal charger and US power cord		\$2,270.00

Rice Lake Weighing System recommends using only the BenchPro Model BP1214 due to the overall cart capacity

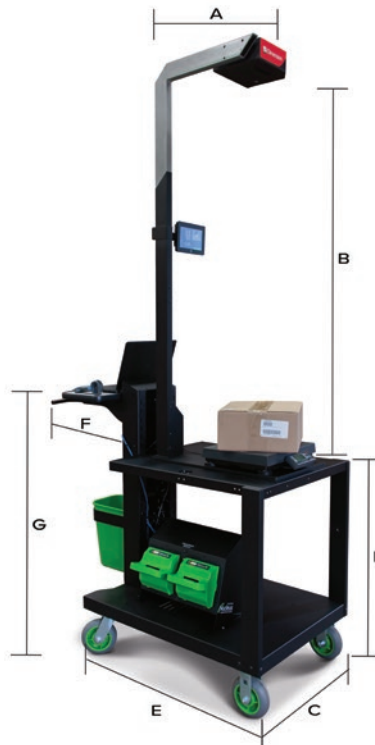
\*Select cart size and battery type to complete your solution.

## Dimensions

30 Inch Cart	
A	27.00 in (686 mm)
B	63.50 in (1,613 mm)
C	26.00 in (660 mm)
D	33.00 in (838 mm)
E	49.00 in (1,245 mm)
F	12.00 in (305 mm)
G	20.00 in (508 mm) (adjustable shelf)

## Dimensions

48 Inch Cart	
A	27.00 in (686 mm)
B	63.50 in (1,613 mm)
C	26.00 in (660 mm)
D	33.00 in (838 mm)
E	67.00 in (1,702 mm)
F	12.00 in (305 mm)
G	44.00 in (1,118 mm) (adjustable shelf)



# iDimension® Flex Series

Parcel and Pallet Static Dimensioning System

DIMENSIONING



*Suspended or Free-standing mount options available  
Picture represents a 7ft opening on a free-standing unit*

## Approvals



## Part Numbers/Price

Part #	Description	Price
<b>Two-Sensor Array - Cuboidal</b>		
219295	Free-standing 80/20 frame, two-sensors, one camera, industrial PC, kiosk, software integration tool kit, REST API	\$25,000.00
219293	Modular kit, suspend from ceiling/wall, two-sensors, one camera, industrial PC, kiosk, software integration tool kit, REST API. Mounting hardware sold separately	\$22,000.00
<b>Four-Sensor Array - Cuboidal and Irregular</b>		
219294	Free-standing 80/20 frame, four-sensors, one camera, industrial PC, kiosk, software integration tool kit, REST API	\$27,500.00
219292	Modular kit, suspend from ceiling/wall, four-sensors, one camera, industrial PC, kiosk, software integration tool kit, REST API. Mounting hardware sold separately	\$25,000.00

## Options/Accessories

Part #	Description	Price
<b>Accessories</b>		
200168	2.4 mm POE network camera	\$875.00
219194	Kiosk pedestal base	\$895.00
220137	Mounting kit to attach kiosk to 219294 free-standing Flex	\$250.00
212260	Kiosk shelf for printer or scanner	\$350.00
220146	Optional 5th sensor to assist with scanning black stretch film	\$2,795.00
219618	Two-sensor array 80/20 mounting kit, 25 ft high max ceiling height	\$2,795.00
205283	Four-sensor array 80/20 mounting kit, 25 ft high max ceiling height	\$3,295.00
188757	Four-sensor array aircraft wire kit for ceiling less than 35 ft	\$1,795.00
214187	RoughDeck floor scale 5 x 5 ft HC, 2,500 kg, flat black paint, Measurement Canada Certified	\$2,645.00
213921	RoughDeck floor scale 5 x 5 ft HP, 5,000 lb, flat black paint, NTEP Certified	\$2,645.00
86873	Bumper guard, HP 5 ft	\$180.00
213999	RoughDeck ramp, 5 ft	\$860.00
200183	680 Plus Indicator, LED display, 115 to 230 VAC with RJ45, US power cord. Alternately, choose a Rice Lake 880 or 1280 for automation applications.	\$1,125.00

## Standard Features

- Available with two or four sensors
- Floor mounted free-standing frame, or suspend from the ceiling
- One high resolution camera (one additional camera available)
- Install/integrate with a floor scale, conveyor or pallet stretch wrapper
- Easy two-person assembly

## Options

- Kiosk pedestal base available
- Second high resolution camera
- Additional sensor to assist reading black stretch film

## Specifications

### Power Requirements:

110 to 240 VAC  
25 ft (7.62 m) U.S. power cable included

### Communication Ports:

Ethernet TCP/IP, USB, Serial RS232

### Operating Temperature:

14 °F to 104 °F (-10 °C to 40 °C)

### Humidity:

0 to 90% non-condensing

### Measurement Capability four-sensor:

Min: 12 x 12 x 12 in (300 x 300 x 300 mm)  
Max: 72 x 72 x 96 in (1,828 x 1,828 x 2,438 mm)

### Warranty:

Two-year limited  
Five-year limited, sensors only

### Approvals:

NTEP  
OIML  
CE Marked  
FCC  
MID Certified

## Applications

### Two-Sensor Array - Cuboidal

- Used above a work surface or over a conveyor to dimension large cuboidal packages and boxes.

### Four-Sensor Array - Cuboidal and Irregular

- Pallet dimensioning, above a target zone, scale, conveyor or stretch wrapper to dimension cuboidal and irregular freight.



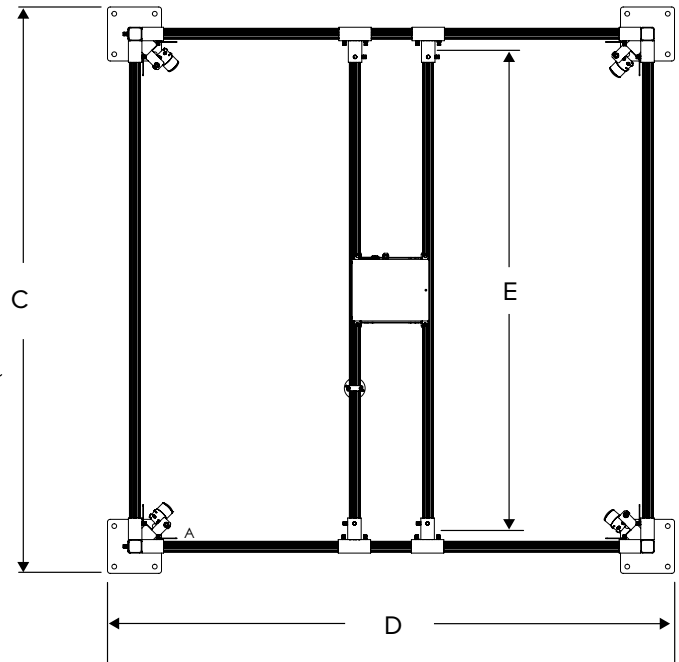
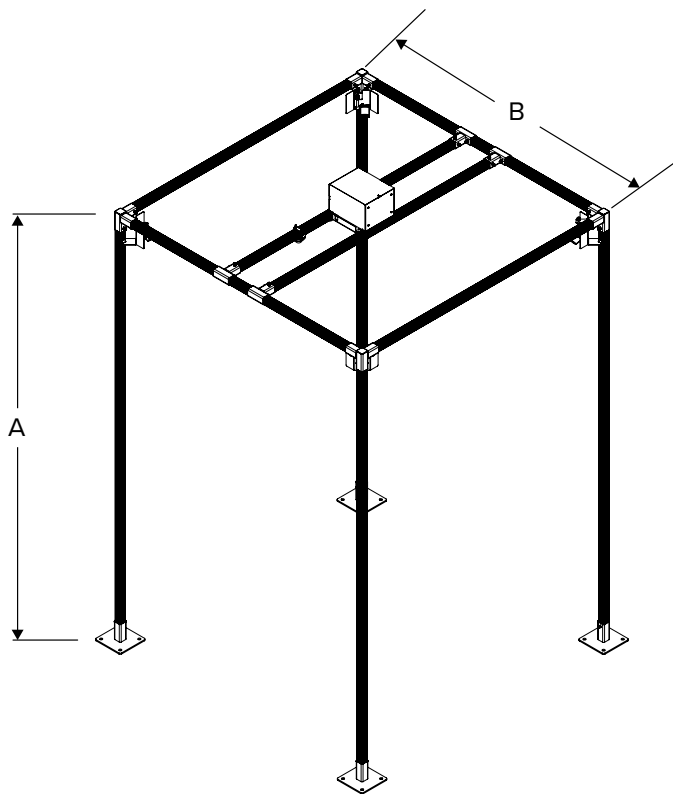
*iDimension Flex Series Kiosk*

## Options/Accessories

Part #	Description	Price
<b>Barcode Scanner</b>		
176307	QuickScan QD2131 barcode scanner	\$305.00
206229	Honeywell wireless long-range TCP/IP barcode scanner kit	\$2,695.00
<b>Factory Service and Support</b>		
194215	Annual licensing fee	\$800.00
FLD-Install	iDimension field install/training day, travel and expenses not included	\$1,395.00
202029	Hourly rate scheduled integration services remote session	\$145.00/hr
<b>Extended Warranty – Two-year standard</b>		
202033	iDimension Flex/PWD/LTL additional one-year extended warranty	\$1,200.00

## Dimensions

iDimension Flex	
A	145.38 in (3,693 mm) max
B	93.00 in (2,362 mm)
C	104.88 in (2,664 mm) max
D	105.00 in (2,667 mm) max
E	85.08 in (2,161 mm)



# iDimension® PWD System

Pallet Weighing and Dimensioning System

DIMENSIONING



## Standard Features

- Includes: iDimension PWD, kiosk, panel mounted scale indicator, 5 × 5 ft 5,000 lb scale, calibration object, accuracy test box, operators and assembly manuals
- Integrated 5 × 5 ft floor scale, 5,000 lb capacity
- Pallet tare mode can measure objects on a pallet by excluding the pallet from the measurement (not Legal for Trade)
- Simple API network integration through HTTP requests, status checking and XML parsing
- Assembly and installation in less than a day
- One high resolution camera (one additional camera available)

## Options

- Second high resolution camera
- Bar code scanner and/or printer
- Access ramps for pallet jack access
- Overhead fifth sensor recommended for dimensioning highly reflective, IR sensitive or black pallet shrink wrap

## Software Integration Tools

- iDimension Desktop Wedge
- Simple API network integration through HTTP requests, status checking and XML parsing
- iDimension SS for storing data, images and transferring data to ERP and WMS systems

## Specifications

### Legal for Trade Measurement Range:

Maximum:  
72 × 72 × 72 in  
(1,829 × 1,829 × 1,829 mm)

Minimum:  
6 × 6 × 6 in  
(152 × 152 × 152 mm)

### Measurement Increment:

0.5 in (1 cm)

### Performance Characteristics:

Weight and dimensions in two seconds or less  
Most surfaces are captured; transparent/translucent and glossy surfaces may provide a variance

### Item Placement:

Centered on floor scale for best performance

### Minimum Pallet Height:

4.25 in (108 mm) wood pallets

### Shapes:

Solid shapes, 3 in (76 mm) protrusions will be included in dimensions

### Lighting Conditions:

Operates in any indoor lighting environment

### Power Requirements:

110 to 240 VAC  
with 25 ft (7.62 m) power cable included

### Operating Temperature:

14 °F to 104 °F (-10 °C to 40 °C)

### Humidity:

0 to 90% non-condensing

### Warranty:

Two-year limited  
Extended warranty available for purchase

### Packaging Dimensions:

Crate 1: 101 × 80 × 30 in; 1,690 lb  
(2,566 × 2,032 × 762 mm)  
Crate 2: 83 × 68 × 35 in; 900 lb  
(2,109 × 1,728 × 889 mm)

### Approvals:

NTEP 19-076  
OIML

## Approvals



## Part Numbers/Price

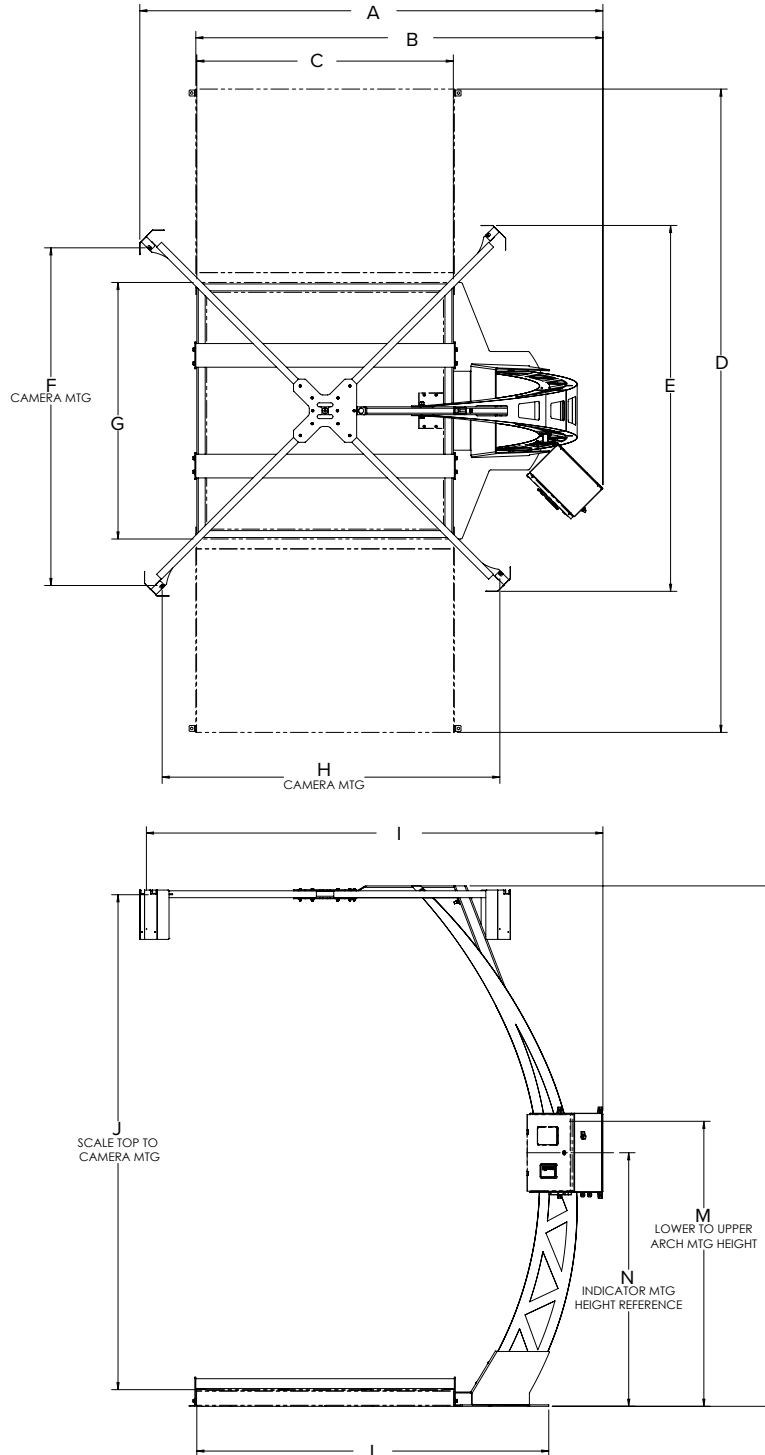
Part #	Description	Price
199318	iDimension PWD System, NTEP approved with 5,000 × 1 lb capacity floor scale (Available with OIML approved scale)	\$38,995.00

## Options/Accessories

Part #	Description	Price
<b>System Options</b>		
200168	Second high resolution 2.4 mm POE network camera	\$875.00
199665	iDimension PWD pallet jack ramp	\$945.00
199666	Optional 5th overhead sensor	\$2,095.00
212260	Kiosk shelf for optional scanner and printer	\$350.00
<b>Scanner, Printer and Digital Remote I/O Options</b>		
206229	Wireless Honeywell long-range TCP/IP scanner kit for use with iDimension SS Software	\$2,695.00
176307	QuickScan QD2131 USB barcode scanner	\$305.00
192721	Zebra ZD420D printer, direct thermal	\$745.00
37345	Label, roll 5 in dia, 1 in core	\$24.00
<b>Optional Integration Solutions</b>		
203010*	iDimension Desktop Wedge (Windows 10 required)	N/C
175812	iDimension SS (software suite) web server software (Windows 10 required)	\$2,250.00
<b>Factory Service and Support</b>		
194215	Annual licensing fee	\$800.00
FLD-INSTALL	iDimension field install and training/day, travel and expenses not included	\$1,395.00
202029	Hourly rate scheduled integration services remote session	\$145.00
<b>Extended Warranty – Two-year standard</b>		
202033	iDimension Flex/PWD/LTL additional one-year extended warranty	\$1,200.00

## Dimensions

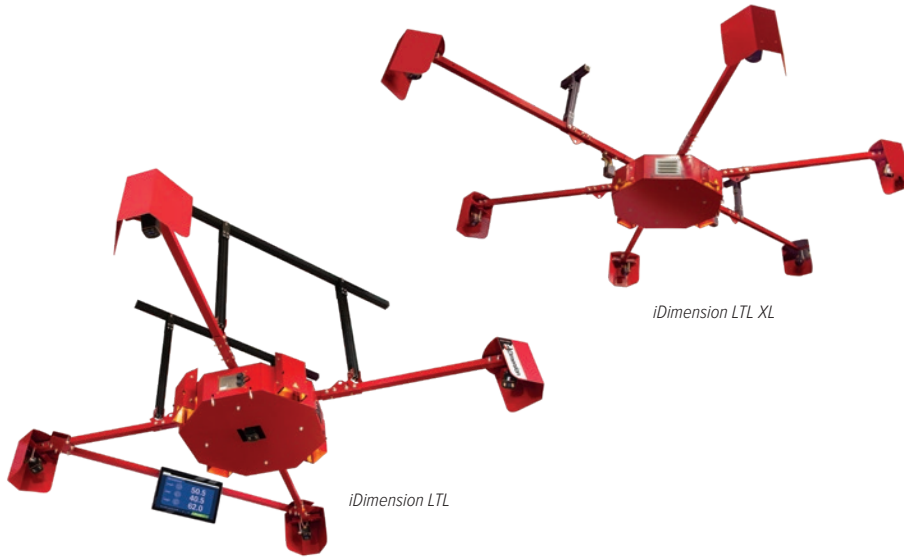
PWD System					
A	117.34 in (2,980 mm)	F	85.56 in (2,173 mm)	K	131.86 in (3,349 mm)
B	103.14 in (2,620 mm)	G	65.00 in (1,651 mm)	L	89.18 in (2,265 mm)
C	65.00 in (1,651 mm)	H	85.56 in (2,173 mm)	M	72.22 in (1,834 mm)
D	163.00 in (4,140 mm)	I	115.66 in (2,938 mm)	N	64.25 in (1,632 mm)
E	92.70 in (2,355 mm)	J	125.41 in (3,185 mm)		



# iDimension® LTL / LTL XL

Pallet Dimensioning System

DIMENSIONING



Approvals



## Part Numbers/Price

Part #	Description	Price
194205	iDimension LTL	\$51,300.00
202974	iDimension LTL XL	\$59,750.00

## Options/Accessories

Mounting Options		
188446	iDim LTL modular install kit	\$2,995.00
205283	80/20 ceiling mount kit (25 ft ceiling max)	\$3,295.00
206007	iDimension LTL cross bracing, for ceilings 18 to 25 ft	\$420.00
188757	Aircraft cable ceiling mounting kit (35 ft ceiling max)	\$1,795.00
System Options		
188755	2.4 mm POE network camera – second high resolution camera	\$875.00
195284	LED target zone light kit	\$1,795.00
193830	LTL 21.5 in forklift operator display kit	\$2,995.00
205286	LTL-XL 21.5 in commercial forklift operator display kit	\$2,995.00
206543	iDimension LTL light tree kit	\$1,280.00
174132	50 ft AC power cord	\$45.00
PC Options		
205073	12 in HMI PC and Ram mount kit for desk or wall	\$6,500.00
202214	HMI PC overhead Ram mounting kit on iDimensioner LTL	\$215.00
205287	HMI PC overhead Ram mounting kit on iDimensioner LTL XL	\$215.00
174659	HMI PC floor stand and guard rail kit	\$1,250.00
212433	7 in HMI PC and Ram mounting kit for forklift	\$3,250.00
Optional Integration Solutions		
203010**	iDimension Desktop Wedge (Windows 10 required)	N/C
175812	iDimension SS (software suite) web server software (Windows 10 required)	\$2,250.00
201447	iDimension SS real-time status display desktop app (Stop & Go)	\$250.00
201448	iDimension SS standalone forklift data management web app (Stop & Go)	\$250.00
Scanner, Printer and Digital Remote I/O Options		
206229	Wireless Honeywell long-range TCP/IP scanner kit	\$2,695.00
192721	Zebra ZD420D printer, direct thermal	\$745.00
37345	Label, roll 5 in dia, 1 in core	\$24.00

## Standard Features

- 360° fork truck access for easy pallet placement in the target zone
- Displays dimensions in 0.2 seconds
- Minimal set up and training required
- Bounding box images identify measurement record
- One high resolution camera

## Options

- Second high resolution camera
- Target zone LED light kit
- 23 inch operator display provides instantaneous feedback to the forklift or pallet jack operator
- iDimension SS for storing data and images transferring data to ERP and WMS systems
- Stop/go activation

## Specifications

### Power Requirements:

- 110 to 240 VAC
- 25 ft (7.62 m) power cable included

### Measurement Increment:

- 0.5 in (10 mm)

### Dimensioning Speed:

- Within 2 seconds from trigger to scan complete

### Performance Characteristics:

- Most surfaces are captured, including black plastic shrink wrap. Transparent/translucent and glossy surfaces may provide a variance.

### Stop & Go Measurement

#### Performance Characteristics:

- Stop-trigger-go 2 seconds for Legal for Trade results. Best when used with a Rice Lake Legal for Trade forklift scale.

### Item Placement:

- Single pallet within the center of the target zone for best performance

### Minimum Pallet Height:

- 4.25 in (108 mm) wood pallets

### Minimum Ceiling Height:

- 12.75 ft

### Shapes:

- Solid shapes, 3 in (76 mm) protrusions will be included in dimensions

### Lighting Conditions:

- Operates in any indoor lighting environment

### Legal for Trade Measurement Range:

- (L × W × H)

Maximum freight size:

- 96 × 96 × 96 in (2,438 × 2,438 × 2,438 mm)

Minimum freight size:

- 12 × 12 × 12 in (305 × 305 × 305 mm)

### Operating Temperature:

- 14 °F to 104 °F (-10 °C to 40 °C)

### Humidity:

- 0 to 90% non-condensing

### Warranty:

- Two-year limited
- Sensors: five-year limited (extended warranty available for purchase)

### Approvals:

- NTEP 19-076
- OIML
- MID
- FCC
- CE



## Part Numbers/Price

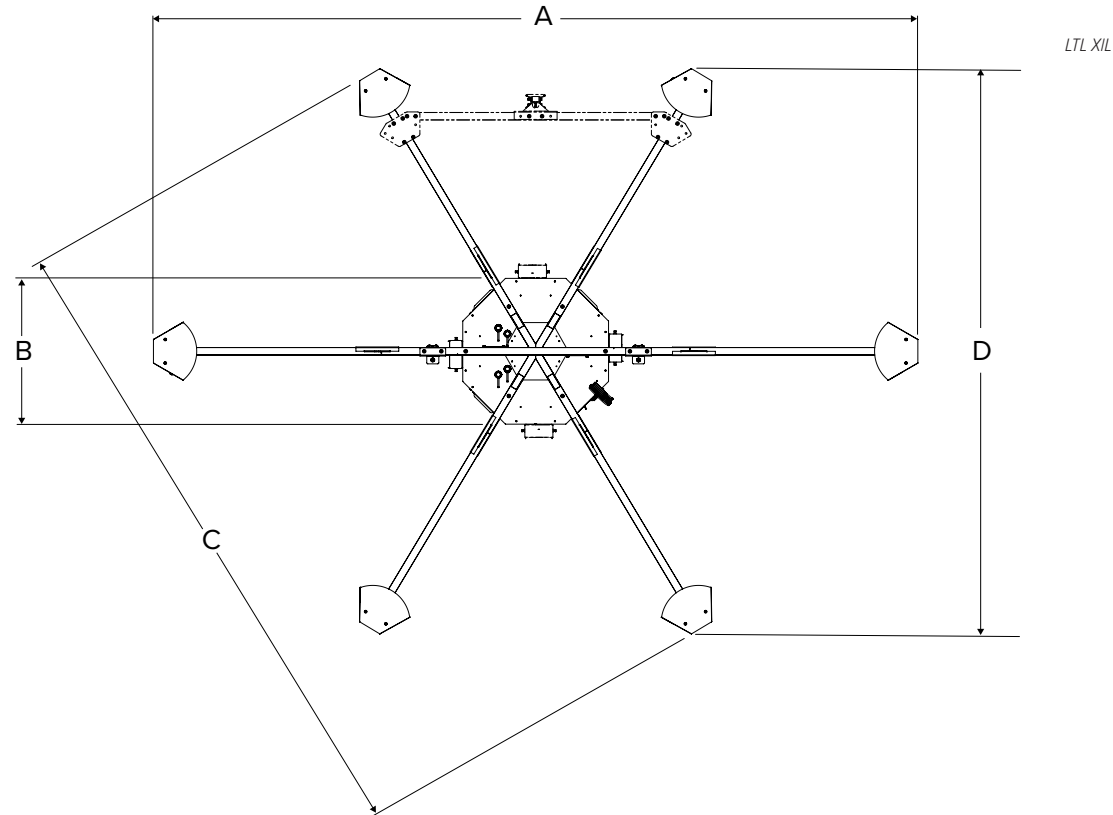
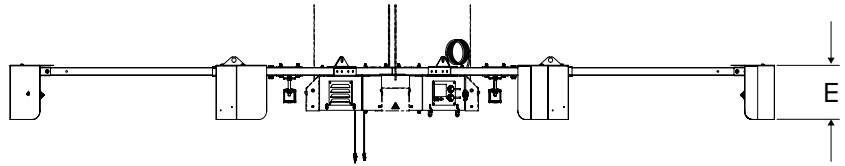
Part #	Description	Price
<b>iDimension LTL Stop and Go</b>		
198480	Stop/go activation license key	\$7,000.00
212337	Universal Class II forklift carriage 34 in Stop & GO reflector plate (Not for Yale forklifts)	\$225.00
193858	Rice Lake CLS forklift scale Stop & GO reflector plate	\$145.00
<b>Floor Scale Options</b>		
213921	RoughDeck floor scale, 5 x 5 ft HP, 5,000 lb, flat black paint, NTEP Certified	\$2,645.00
214187	RoughDeck floor scale, 5 x 5 ft HC, 2,500 kg, flat black paint, Measurement Canada Certified	\$2,645.00
213922	RoughDeck floor scale 5 x 7 ft HP, 5,000 lb, flat black paint, NTEP Certified	\$3,125.00
86820	Bumper guard, HP 7 ft	\$395.00
86873	Bumper guard, HP 5 ft	\$180.00
213999	RoughDeck ramp, 5 ft	\$860.00
200183	680 Plus Indicator, LED display, 115 to 230 VAC with RJ45, US power cord. Alternately, choose a Rice Lake 880 or 1280 for automation applications.	\$1,125.00
<b>Factory Service and Support</b>		
194215	Annual software maintenance	\$800.00
FLD-INSTALL	iDimension field install and training/day, travel and expenses not included	\$1,395.00
202029	Hourly rate scheduled integration services remote session	\$145.00
<b>Extended Warranty – Two-year standard</b>		
202033	iDimension PWD/LTL additional one-year extended warranty	\$1,200.00

\*Requires factory support and training on first installation of iDimension LTL

\*\*Available for free download at [www.ricelake.com](http://www.ricelake.com)

## Dimensions -

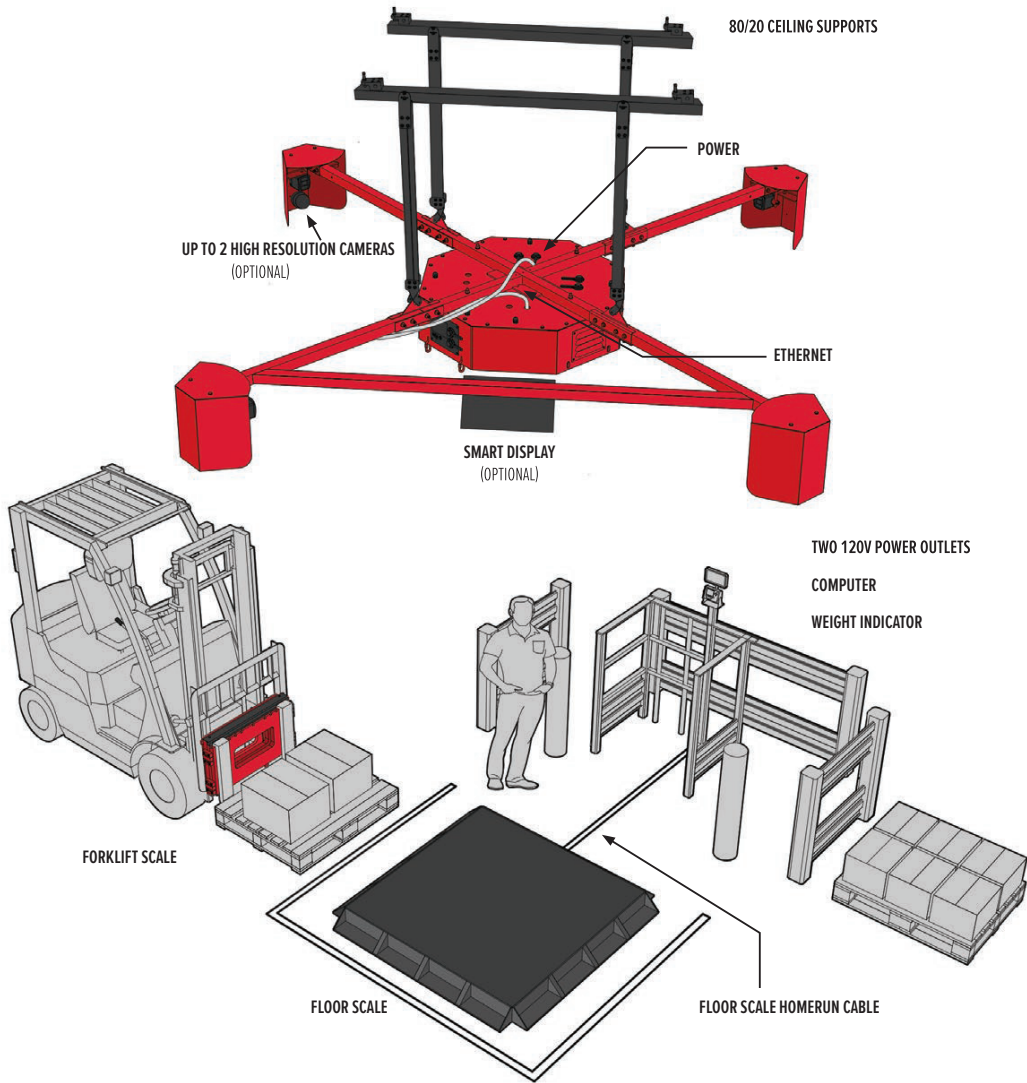
iDimension LTL XL	
A	178.28 in (4,528 mm)
B	34.00 in (864 mm)
C	150.44 in (3,821 mm)
D	131.83 in (3,348 mm)
E	12.64 in (321 mm)



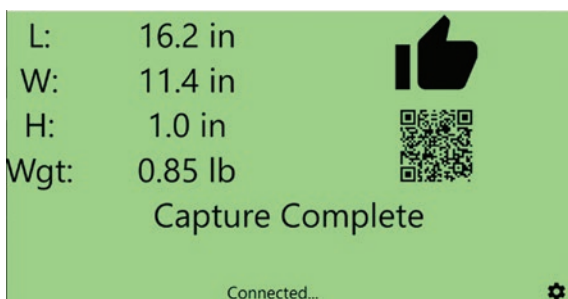
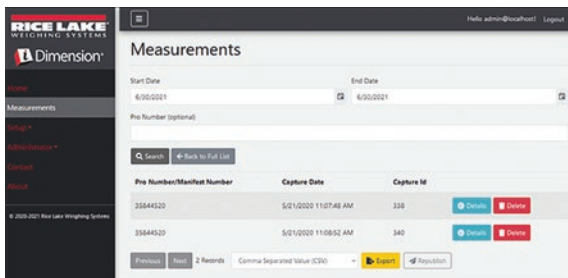
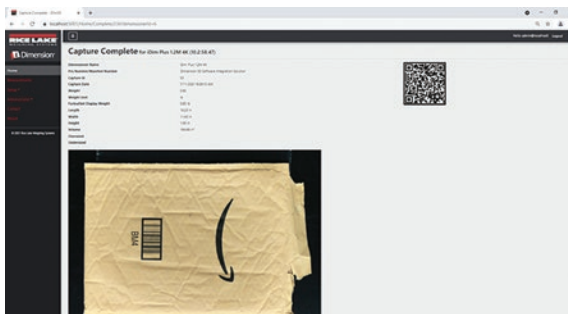
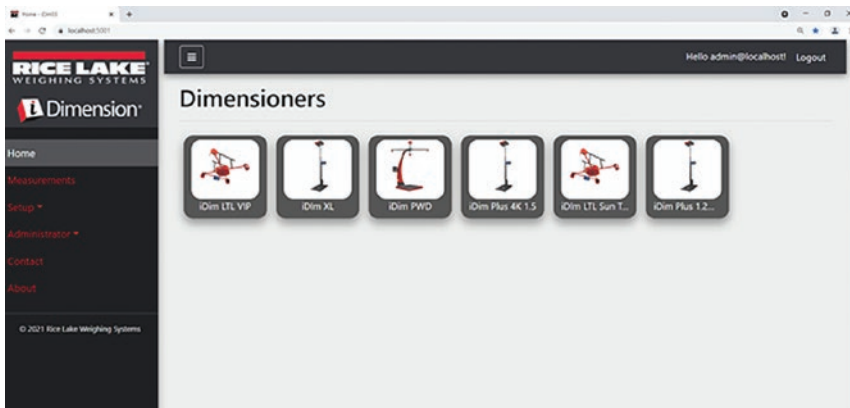
# iDimension® LTL / LTL XL

Pallet Dimensioning System

DIMENSIONING



## System Overview



iDimension SS is a robust, dynamic application for managing scan data captured by iDimension Dimensioning Solutions.

## Standard Features

- Real-time data access and triggering via REST API Swagger API development toolkit included
- Supported peripherals include bar code scanners and label printers
- Measurement database – configurable for capturing and transferring:
  - Identification #, i.e. Pro or sales order number
  - Dimensions L x W x H
  - Scale or manual keyboard entry weight
  - Volume
  - Three configurable user fields
  - Color high resolution images
  - Bounding box images
  - Volumetric conversion
  - Email notification alerts
  - Error logging
- Digital remote I/O configuration for use with PLCs
- Shipping method analyzer for girth and volume analysis thresholds in conjunction with the iDimension SS real-time display desktop application
- Local data storage
- Automatic data export, options include FTP and SMB, configurable
- Data export, including image format composition and annotations available in data export provides output in CSV, JSON, XML and TXT file formats
- QR code display for alternate input into MRP, TMS and WMS systems
- Error logging with high resolution image capture
- Role-based security model protects data and prevents unwanted configuration changes
- Comprehensive application log files available to download
- Forklift database for use with Stop & Go

*SQLite database maximum size capabilities is dependent upon file system type.*

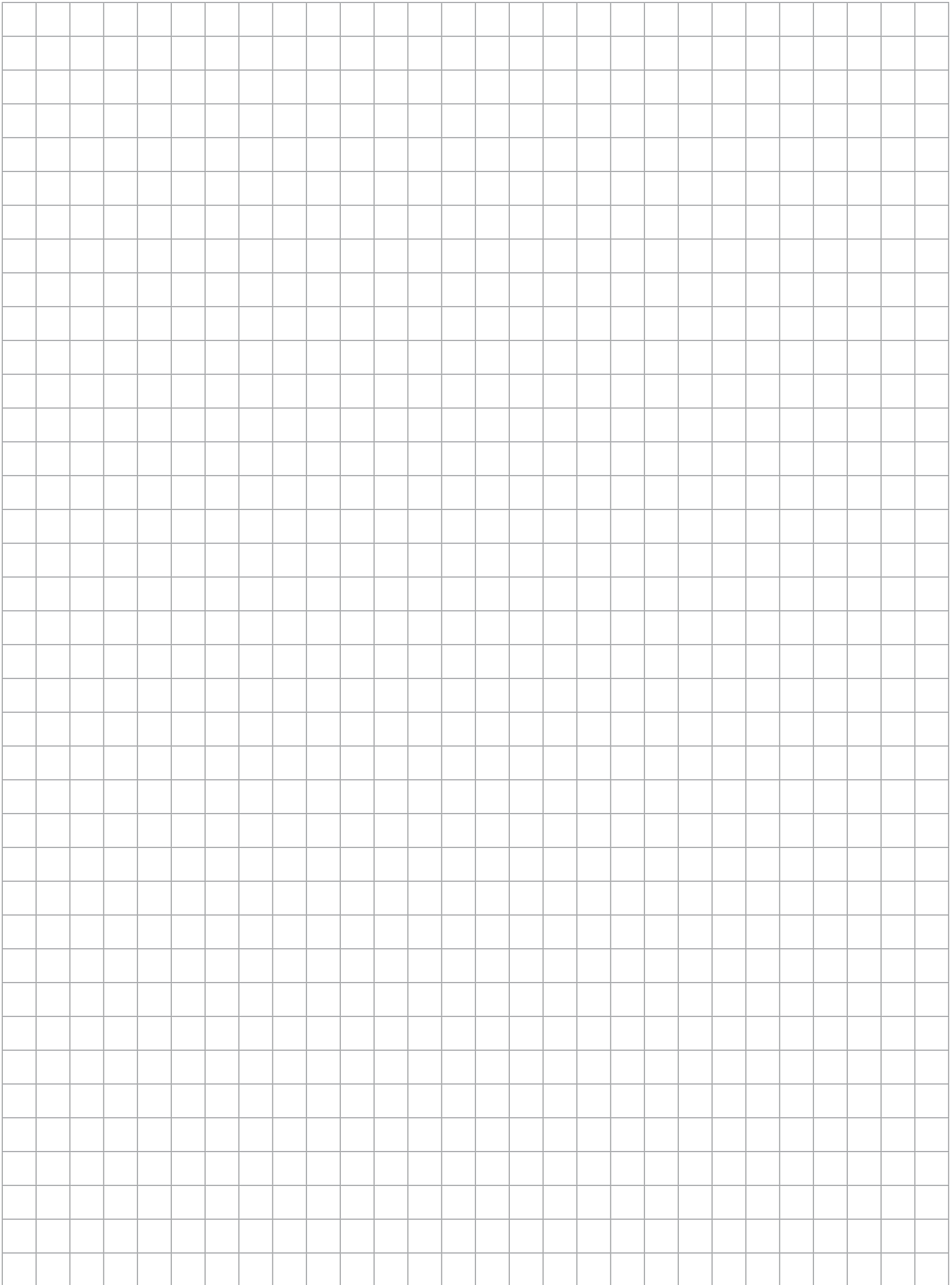
## System Requirements

- Windows 10 build 1607 or newer (64-bit only)
- 2.0 GHz processor or faster
- 250 MB hard disk space needed for install
- 8 GB RAM or greater
- Ethernet TCP/IP communication to dimensioning devices plus optional scanners, printers and Rice Lake Weighing 680, 880 and 1280 scale indicators
- A supported web browser (Chrome, Microsoft Edge, Firefox, Safari)

## Part Numbers/Price

Part #	Description	Price
203010***	iDimension Desktop Wedge (Windows 10 required)	N/C
175812	iDimension SS (software suite) web server software (Windows 10 required)	\$2,250.00
201447	iDimension SS real-time status display desktop app (stop & go)	\$250.00
201448	iDimension SS standalone forklift data management web app (stop & go)	\$250.00

\*\*\* Available for free download at [www.ricelake.com](http://www.ricelake.com)



# Floor Scales

## TABLE OF CONTENTS

<b>RoughDeck® Rough-n-Ready System</b> ..... 348 <i>Floor Scale and 381 Indicator Package</i>	<b>RoughDeck® PW-1 Stainless Steel</b> ..... 376 <i>Low-profile Pallet Weighing Floor Scale</i>	<b>RoughDeck® HP</b> ..... 400 <i>Forklift SENDit Portability Frames, Non-NTEP</i>
<b>RoughDeck® Rough-n-Ready System</b> ..... 349 <i>Floor Scale and 380 Indicator Package</i>	<b>RoughDeck® BDP Mild Steel</b> ..... 377 <i>Barrel, Drum, Pallet Scale – Stationary Model</i>	<b>RoughDeck® HP</b> ..... 401 <i>Forklift SENDit Portability Frames, NTEP</i>
<b>RoughDeck® Rough-n-Ready System</b> ..... 350 <i>Floor Scale and 480/480 Plus Indicator Package</i>	<b>RoughDeck® BDP Mild Steel</b> ..... 378 <i>Barrel, Drum, Pallet Scale – Portable Model</i>	<b>RoughDeck® HP</b> ..... 402 <i>Caster Portability Frames</i>
<b>RoughDeck® Rough-n-Ready System</b> ..... 351 <i>Floor Scale and 482/482 Plus Indicator Package</i>	<b>RoughDeck® BDP Stainless Steel</b> ..... 379 <i>Barrel, Drum, Pallet Scale – Stationary Model</i>	<b>RoughDeck® HP</b> ..... 403 <i>Caster SENDit Portability Frames, Non-NTEP</i>
<b>RoughDeck® Rough-n-Ready System</b> ..... 352 <i>Floor Scale and 480 Indicator Package</i>	<b>RoughDeck® BDP Stainless Steel</b> ..... 380 <i>Barrel, Drum, Pallet Scale – Portable Model</i>	<b>RoughDeck® HP</b> ..... 404 <i>Caster SENDit Portability Frames, NTEP</i>
<b>RoughDeck® HP</b> ..... 353 <i>High Performance Structural Steel Low-profile Floor Scale</i>	<b>DeckHand™</b> ..... 381 <i>Portable Floor Scale</i>	<b>RoughDeck® HP, SS &amp; HE</b> ..... 405 <i>Pit Frame Concrete Details*</i>
<b>RoughDeck® HP-H</b> ..... 355 <i>High Performance Heavy Capacity Floor Scale</i>	<b>RL1200</b> ..... 382 <i>Portable Beam Scale</i>	<b>RoughDeck® HP-H</b> ..... 406 <i>Pit Frame Concrete Details* – 20,000lb Capacity</i>
<b>RoughDeck® RP</b> ..... 357 <i>Rodent Protection Floor Scale</i>	<b>RL1200 EM</b> ..... 383 <i>Electromechanical Portable Beam Scale and 380 Indicator</i>	<b>RoughDeck® HP-H</b> ..... 407 <i>Pit Frame Concrete Details* – 30,000lb Capacity</i>
<b>RoughDeck PC</b> ..... 358 <i>Pancake Deck Cargo Scale</i>	<b>RL1200 IS</b> ..... 384 <i>Intrinsically Safe Electromechanical Portable Beam Scale</i>	<b>AutoLift HE</b> ..... 408 <i>Pit Frame Concrete Details*</i>
<b>RoughDeck® CS</b> ..... 359 <i>Coil Floor Scale</i>	<b>Altralite™</b> ..... 385 <i>Portable Low-profile Anodized Aluminum Floor Scale</i>	<b>RoughDeck® QC-X</b> ..... 409 <i>Pit Frame Concrete Details*</i>
<b>RoughDeck® CS Rail Car</b> ..... 361 <i>Top-access Coil Scale</i>	<b>RoughDeck® FXB</b> ..... 386 <i>Painted Steel and Stainless Steel, Flexure Lever Floor Scale</i>	<b>RoughDeck® QC</b> ..... 410 <i>Pit Frame Concrete Details*</i>
<b>RoughDeck® CS Rail Car</b> ..... 362 <i>Under Beam Mount Coil Scale</i>	<b>Summit® Scale and 120 Indicator Package</b> ..... 387 <i>Floor Scale/120 Indicator Package</i>	<b>Summit® 3000</b> ..... 411 <i>Pit Frame Concrete Details*</i>
<b>RoughDeck® SS</b> ..... 363 <i>Stainless Steel Floor Scale</i>	<b>Summit® Scale and 120 Plus Indicator Package</b> ..... 388 <i>Floor Scale/120 Plus Indicator Package</i>	
<b>RoughDeck® HE</b> ..... 364 <i>Hostile Environment Stainless Steel Floor Scale</i>	<b>Summit® 3000</b> ..... 389 <i>Low-profile Floor Scale</i>	
<b>AutoLift HE</b> ..... 365 <i>Pit-type, Hostile Environment Stainless Steel Lift Floor Scale</i>	<b>RoughDeck® Access Ramps</b> ..... 390	
<b>RoughDeck® QC-X</b> ..... 367 <i>Quick Clean Extreme Lift Floor Scale with Solid Plate Base</i>	<b>Floor Scale Pit Mounted Riser Stand</b> ..... 392	
<b>RoughDeck® QC-XP</b> ..... 369 <i>Quick Clean Extreme Portable Solid Base Plate Floor Scale</i>	<b>RoughDeck® Pit Frames</b> ..... 393	
<b>RoughDeck® QC</b> ..... 370 <i>Quick Clean Stainless Steel Lift Floor Scale</i>	<b>Summit® 3000 Access Ramps</b> ..... 394	
<b>RoughDeck® SD</b> ..... 373 <i>Sanitary Deck Floor Scale</i>	<b>Summit® 3000 Pit Frames</b> ..... 395	
<b>RoughDeck® LP</b> ..... 374 <i>Low Profile Floor Scale</i>	<b>Bumper Guards</b> ..... 396 <i>Option A Option B Option C</i>	
<b>RoughDeck® PW-1 Mild Steel</b> ..... 375 <i>Low-profile Pallet Weighing Floor Scale</i>	<b>RoughDeck® HP and SS</b> ..... 399 <i>Forklift Portability Frames</i>	

The following product names, logos, brands and other trademarks featured or referred to within this publication are the property of their respective trademark holders.

# RoughDeck® Rough-n-Ready System

Floor Scale and 381 Indicator Package



Shown with optional floor stand for indicator

## Approvals



Measurement  
Canada  
Approved



FLOOR SCALES

## Part Number/Price

Part#	Floor Scale Capacity	Indicator	Est. Weight	Price
<b>† 4 ft × 4 ft × 3.5 in RoughDeck (NTEP Certified) 381 Indicator with AA battery and 12V power adaptor</b>				
219279	5,000 lb	381	405 lb	\$2,475.00
219280	10,000 lb	381	405 lb	\$2,475.00
<b>† 4 ft × 4 ft × 3.5 in RoughDeck (Canadian Weights and Measures Approved) 381 Indicator with AA battery and 12V power adaptor</b>				
219281	2,500 kg	381	405 lb	\$2,475.00
219282	5,000 kg	381	405 lb	\$2,475.00
<b>† 4 ft × 4 ft × 3.5 in RoughDeck (NTEP Certified) 381 Indicator with NiMH battery and charger</b>				
219283	5,000 lb	381	405 lb	\$2,620.00
219284	10,000 lb	381	405 lb	\$2,620.00
<b>† 4 ft × 4 ft × 3.5 in RoughDeck (Canadian Weights and Measures Approved) 381 Indicator with NiMH battery and charger</b>				
219285	2,500 kg	381	405 lb	\$2,620.00
219286	5,000 kg	381	405 lb	\$2,620.00

† US plug (NA) - Type A

## Options/Accessories

Part#	Description	Price
Consult	Access ramps available	See catalog page 390
Consult	Pit frames available	See catalog page 393
Consult	Bumper guards available	See catalog page 396 through catalog page 398
Consult	Portability frames available	See catalog page 399 through catalog page 404
18777	Floor anchor plates, mild steel (set of 2)	\$38.00
19352	Floor stand for indicator, 36.3 in high, mild steel	\$250.00
126384	Floor stand for indicator, 48 in high, mild steel	\$275.00

## Standard Features

- Package includes: RoughDeck HP 4 ft × 4 ft × 3.5 in floor scale, 20 ft of hostile environment load cell cable, quick disconnect and 381 indicator
- Package is factory-calibrated for 5,000 divisions

### Scale

- Heavy-duty design with structural steel under support
- Four NTEP certified alloy steel shear beam load cells
- Side-access JB4SS TuffSeal® junction box

### Indicator

- LCD display
- Communication ports
- ABS enclosure
- Battery powered

## RoughDeck Specifications

### End Load Capacity:

- 100% full scale at 5,000 lb
- 80% full scale at 10,000 lb

### Cable Length:

- 20 ft (6.1 m) for connecting junction box to indicator

### Threaded Eyebolt:

- Hole (1/2-20 NF) located in center of deck for easy lifting

### Warranty (limited):

- Weldment: five-years
- Load cells: two-years
- All other components: One-year

### Approvals:

- NTEP 92-001, Class III 5,000d
- Measurement Canada AM-4827, Class III 5,000d

## 381 Specifications

### Power:

- Battery: AA or Nickel Metal Hydride (NiMH) 381-2D-AA
- Adapter: 115/230 VAC to 12 VDC 381-2D-NiMH
- Charger: 115/230 VAC

### Battery Life:

- AA: 16 hours with 4 × 350 ohm load cells, low backlight
- NiMH: 19 hours with 4 × 350 ohm load cells, low backlight

### Communication Ports:

- One RS-232 (three-wire)
- One USB 2.0

### Display:

- Six 1 in (25 mm) tall, LCD digits

### Annunciators:

- g, lb, t, tn, kg, oz, battery level, PT, LT, gross, zero, unstable, net

### Keys/Buttons:

- 5 tactile buttons

### Rating/Material:

- AA Battery: IP54, ABS
- NiMH Battery: IP66, ABS

### Approvals:

- NTEP 21-051 Class III/IIIL, 10,000 d
- Measurement Canada AM-6184



# RoughDeck® Rough-n-Ready System

Floor Scale and 380 Indicator Package



Shown with optional floor stand for indicator

## Approvals



Measurement  
Canada  
Approved



## Part Number/Price

Part#	Floor Scale Capacity	Indicator	Est. Weight	Price
† 4 ft × 4 ft × 3.5 in RoughDeck (NTEP Certified) Indicator Package with Tilt Stand				
208558	5,000 lb	380	405 lb	\$2,775.00
208585	10,000 lb	380	405 lb	\$2,775.00
† 4 ft × 4 ft × 3.5 in RoughDeck (Canadian Weights and Measures Approved) Indicator Package with Tilt Stand				
208582	2,500 kg	380	405 lb	\$2,775.00
208586	5,000 kg	380	405 lb	\$2,775.00

† US plug (NA) - Type A

## Options/Accessories

Part#	Description	Price
206433	External AC adapter for 380 indicator	\$54.00
Consult	Access ramps available	See catalog page 390
Consult	Pit frames available	See catalog page 393
Consult	Bumper guards available	See catalog page 396 through catalog page 398
Consult	Portability frames available	See catalog page 399 through catalog page 404
18777	Floor anchor plates, mild steel (set of 2)	\$38.00
19352	Floor stand for indicator, 36.3 in high, mild steel	\$250.00
126384	Floor stand for indicator, 48 in high, mild steel	\$275.00

## Standard Features

- Package includes: RoughDeck HP 4 ft × 4 ft × 3.5 in floor scale, 20 ft of hostile environment load cell cable, quick disconnect and 380 indicator
- Package is factory-calibrated for 5,000 divisions

## Scale

- Heavy-duty design with structural steel under support
- Four NTEP certified alloy steel shear beam load cells
- Side-access JB4SS TuffSeal® junction box

## Indicator

- LCD display
- Communication ports
- Stainless steel enclosure

## RoughDeck Specifications

### End Load Capacity:

- 100% full scale at 5,000 lb
- 80% full scale at 10,000 lb

### Cable Length:

- 20 ft (6.1 m) for connecting junction box to indicator

### Threaded Eyebolt:

- Hole (1/2-20 NF) located in center of deck for easy lifting

### Warranty (limited):

- Weldment: Five-years
- Load cells: Two-years
- All other components: One-year

### Approvals:

- NTEP 92-001, Class III 5,000d
- Measurement Canada AM-4827, Class III 5,000d

## 380 Specifications

### Power:

- Batteries: 4 alkaline C-cell (not included)
- Optional: 115/230 VAC to 12 VDC adapter

### Battery Life:

- 45 hours, continuous use on alkaline batteries with four 350 ohm load cells, low backlight

### Communication Ports:

- One full-duplex RS-232
- One USB 2.0 (device)

### Display:

- Six 1 in (25 mm) tall, LCD digits

### Annunciators:

- g, lb, t, tn, kg, oz, battery level, PT, LT, gross, zero, unstable, net

### Keys/Buttons:

- 5 tactile buttons

### Rating/Material:

- Enclosure: IP66, 304 stainless steel

### Approvals:

- NTEP 21-051
- Measurement Canada AM-6184
- CE Marked
- cULus Listed

FLOOR SCALES

# RoughDeck® Rough-n-Ready System

Floor Scale and 480/480 Plus Indicator Package



FLOOR SCALES

## Approvals



Measurement Canada Approved



## Part Number/Price

Part#	Floor Scale Capacity	Indicator	Est. Weight	Price
<b>† 115 VAC - 4 ft × 4 ft × 3.5 in RoughDeck (NTEP Certified) Indicator Package with Tilt Stand</b>				
155666	5,000 lb	480	405 lb	\$3,015.00
168140	5,000 lb	480 Plus	405 lb	\$3,015.00
155667	10,000 lb	480	405 lb	\$3,015.00
168141	10,000 lb	480 Plus	405 lb	\$3,015.00
<b>†† 230 VAC - 4 ft × 4 ft × 3.5 in RoughDeck (NTEP Certified) Indicator Package with Tilt Stand</b>				
155962	5,000 lb	480	405 lb	\$3,015.00
168142	5,000 lb	480 Plus	405 lb	\$3,015.00
155963	10,000 lb	480	405 lb	\$3,015.00
168143	10,000 lb	480 Plus	405 lb	\$3,015.00
<b>† 115 VAC 4 ft × 4 ft × 3.5 in RoughDeck (Canadian Weights and Measures Approved) Indicator Package with Tilt Stand</b>				
155668	2,500 kg	480	405 lb	\$3,015.00
168144	2,500 kg	480 Plus	405 lb	\$3,015.00
155669	5,000 kg	480	405 lb	\$3,015.00
168145	5,000 kg	480 Plus	405 lb	\$3,015.00



†† CEE 7/7 plug



† NEMA 5-15 plug

## Options/Accessories

Part#	Description	Price
Consult	Access ramps available	See catalog page 390
Consult	Pit frames available	See catalog page 393
Consult	Bumper guards available	See catalog page 396 through catalog page 398
Consult	Portability frames available	See catalog page 399 through catalog page 404
18777	Floor anchor plates, mild steel (set of 2)	\$38.00
19352	Floor stand for indicator, 36.3 in high, mild steel	\$250.00
126384	Floor stand for indicator, 48 in high, mild steel	\$275.00

## Standard Features

- Package includes: RoughDeck HP 4 ft x 4 ft x 3.5 in floor scale, 20 ft of hostile environment load cell cable, quick disconnect and 480/480 Plus indicator
- Package is factory-calibrated for 5,000 divisions

### Scale

- Heavy-duty design with structural steel under support
- Four NTEP certified alloy steel shear beam load cells
- Side-access JB4SS TuffSeal® junction box

### Indicator

- LED display
- Time and date battery backed
- Numeric keypad (480 Plus only)
- Communication ports

## RoughDeck Specifications

### End Load Capacity:

- 100% full scale at 5,000 lb
- 80% full scale at 10,000 lb

### Cable Length:

- 20 ft (6.1 m) for connecting junction box to indicator

### Threaded Eyebolt:

- Hole (1/2-20 NF) located in center of deck for easy lifting

### Warranty (limited):

- Weldment: Five-year
- Load cells: Two-year
- All other components: One-year

### Approvals:

- NTEP CC 92-001, Class III 5,000d
- Measurement Canada AM-4827, Class III 5,000d

## 480/480 Plus Specifications

### Communication Ports:

- Com 1: RS-232 full duplex
- Com 2: RS-232 full duplex or 20 mA simplex, continuous
- Both ports 1200, 2400, 4800, 9600, 19200, 38400 baud seven or eight data bits, even, odd or no parity

### Display:

- LED display 0.8 in (20 mm), six-digit, seven-segment

### Annunciators:

- Gross, net, center of zero, standstill, lb, kg, tare, preset tare

### Keys/Buttons:

- Flat membrane panel, embossed keys, tactile feel

### Rating/Material:

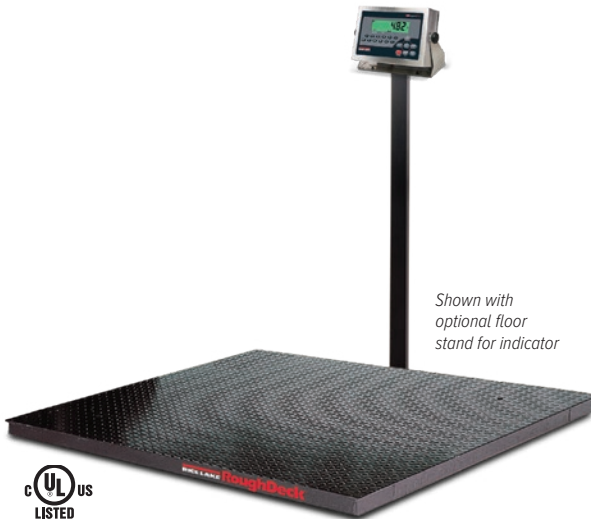
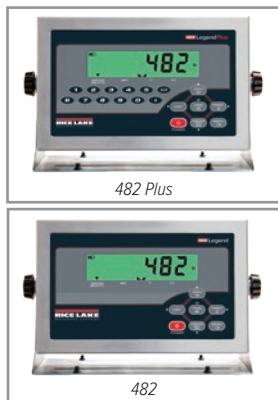
- Enclosure: NEMA Type 4X/IP66, heavy-gauge stainless steel

### Approvals:

- NTEP CC 12-123
- Measurement Canada AM-5892C,
- CE Marked
- cULus Listed

# RoughDeck® Rough-n-Ready System

Floor Scale and 482/482 Plus Indicator Package



## Approvals



Measurement  
Canada  
Approved



## Part Number/Price

Part#	Floor Scale Capacity	Indicator	Est. Weight	Price
† 115 VAC - 4 ft × 4 ft × 3.5 in RoughDeck (NTEP Certified) Indicator Package with Tilt Stand				
168146	5,000 lb	482	405 lb	\$3,165.00
168152	5,000 lb	482 Plus	405 lb	\$3,165.00
168147	10,000 lb	482	405 lb	\$3,165.00
168153	10,000 lb	482 Plus	405 lb	\$3,165.00
†† 230 VAC - 4 ft × 4 ft × 3.5 in RoughDeck (NTEP Certified) Indicator Package with Tilt Stand				
168148	5,000 lb	482	405 lb	\$3,165.00
168154	5,000 lb	482 Plus	405 lb	\$3,165.00
168149	10,000 lb	482	405 lb	\$3,165.00
168155	10,000 lb	482 Plus	405 lb	\$3,165.00
† 115 VAC 4 ft × 4 ft × 3.5 in RoughDeck (Canadian Weights and Measures Approved) Indicator Package with Tilt Stand				
168150	2,500 kg	482	405 lb	\$3,165.00
168156	2,500 kg	482 Plus	405 lb	\$3,165.00
168151	5,000 kg	482	405 lb	\$3,165.00
168157	5,000 kg	482 Plus	405 lb	\$3,165.00



†† CEE 7/7 plug



† NEMA 5-15 plug

## Options/Accessories

Part#	Description	Price
Consult	Access ramps available	See catalog page 390
Consult	Pit frames available	See catalog page 393
Consult	Bumper guards available	See catalog page 396 through catalog page 398
Consult	Portability frames available	See catalog page 399 through catalog page 404
18777	Floor anchor plates, mild steel (set of 2)	\$38.00
19352	Floor stand for indicator, 36.3 in high, mild steel	\$250.00
126384	Floor stand for indicator, 48 in high, mild steel	\$275.00

## Standard Features

- Package includes: RoughDeck HP 4 ft x 4 ft x 3.5 in floor scale, 20 ft of hostile environment load cell cable, quick disconnect and 482/482 Plus indicator
- Package is factory-calibrated for 5,000 divisions

## Scale

- Heavy-duty design with structural steel under support
- Four NTEP certified alloy steel shear beam load cells
- Side-access JB4SS TuffSeal® junction box

## Indicator

- LED display
- Time and date battery backed
- Numeric keypad (482 Plus only)
- Communication ports

## RoughDeck Specifications

### End Load Capacity:

- 100% full scale at 5,000 lb
- 80% full scale at 10,000 lb

### Cable Length:

- 20 ft (6.1 m) for connecting junction box to indicator

### Threaded Eyebolt:

- Hole (1/2-20 NF) located in center of deck for easy lifting

### Warranty (limited):

- Weldment: Five-year
- Load cells: Two-year
- All other components: One-year

### Approvals:

- NTEP CC 92-001, Class III 5,000d
- Measurement Canada AM-4827, Class III 5,000d

## 482/482 Plus Specifications

### Communication Ports:

- Com 1: RS-232 full duplex
- Com 2: RS-232 full duplex or 20 mA simplex, continuous
- Both ports 1200, 2400, 4800, 9600, 19200, 38400 baud seven or eight data bits, even, odd or no parity

### Display:

- LCD backlit display, Transmissive/Transflective
- 0.8 in (20 mm), six-digit, seven-segment

### Annunciators:

- Gross, net, center of zero, standstill, lb, kg, tare, preset tare

### Keys/Buttons:

- Flat membrane panel, embossed keys, tactile feel

### Rating/Material:

- Enclosure: NEMA Type 4X/IP66, heavy-gauge stainless steel

### Approvals:

- NTEP CC 12-123
- Measurement Canada AM-5892C, Class III/IIHD, 10,000d
- CE Marked
- cULus Listed

FLOOR SCALES

# RoughDeck® Rough-n-Ready System

Floor Scale and 680 Indicator Package

FLOOR SCALES



Shown with optional floor stand for indicator

## Approvals



Measurement Canada Approved



## Part Number/Price

Part#	Floor Scale Capacity	Indicator	Est. Weight	Price
<b>† 115 VAC - 4 ft x 4 ft x 3.5 in RoughDeck (NTEP Certified) Indicator Package with Tilt Stand</b>				
196661	5,000 lb	680	405 lb	\$3,095.00
196662	10,000 lb	680	405 lb	\$3,095.00
<b>†† 230 VAC - 4 ft x 4 ft x 3.5 in RoughDeck (NTEP Certified) Indicator Package with Tilt Stand</b>				
196663	5,000 lb	680	405 lb	\$3,095.00
196664	10,000 lb	680	405 lb	\$3,095.00
<b>† 115 VAC 4 ft x 4 ft x 3.5 in RoughDeck (Canadian Weights and Measures Approved) Indicator Package with Tilt Stand</b>				
196665	2,500 kg	680	405 lb	\$3,095.00
196666	5,000 kg	680	405 lb	\$3,095.00



†† CEE 7/7 plug



† NEMA 5-15 plug

## Options/Accessories

Part#	Description	Price
Consult	Access ramps available	See catalog page 390
Consult	Pit frames available	See catalog page 393
Consult	Bumper guards available	See catalog page 396 through catalog page 398
Consult	Portability frames available	See catalog page 399 through catalog page 404
18777	Floor anchor plates, mild steel (set of 2)	\$38.00
19352	Floor stand for indicator, 36.3 in high, mild steel	\$250.00
126384	Floor stand for indicator, 48 in high, mild steel	\$275.00

## Standard Features

- Package includes: RoughDeck HP 4 ft x 4 ft x 3.5 in floor scale, 20 ft of hostile environment load cell cable, quick disconnect and 680 indicator
- Package factory-calibrated for 5,000 divisions

### Scale

- Heavy-duty design with structural steel under support
- Four NTEP certified alloy steel shear beam load cells
- Side-access JB4SS TuffSeal® junction box

### Indicator

- Bright seven-digit, seven-segment LED display
- Battery backed time and date
- Full numeric keypad
- Communication ports

## RoughDeck Specifications

### End Load Capacity:

- 100% full scale at 5,000 lb
- 80% full scale at 10,000 lb

### Cable Length:

- 20 ft (6.1 m) for connecting junction box to indicator

### Threaded Eyebolt:

- Hole (1/2-20 NF) located in center of deck for easy lifting

### Warranty (limited):

- Weldment: Five-year
- Load cells: Two-year
- All other components: One-year

### Approvals:

- NTEP 92-001, Class III 5,000d
- Measurement Canada AM-4827, Class III 5,000d

## 680 Specifications

### Communication Ports:

- Two full-duplex RS-232
- RS-485/RS-422 (two-wire or four-wire)
- Micro USB (device)
- Ethernet TCP/IP (10/100)

### Display:

- Seven 0.8 in tall, seven-segment digits

### Annunciators:

- Eight LED annunciators

### Keys/Buttons:

- Flat membrane panel, tactile feel (18 buttons plus ON/OFF)

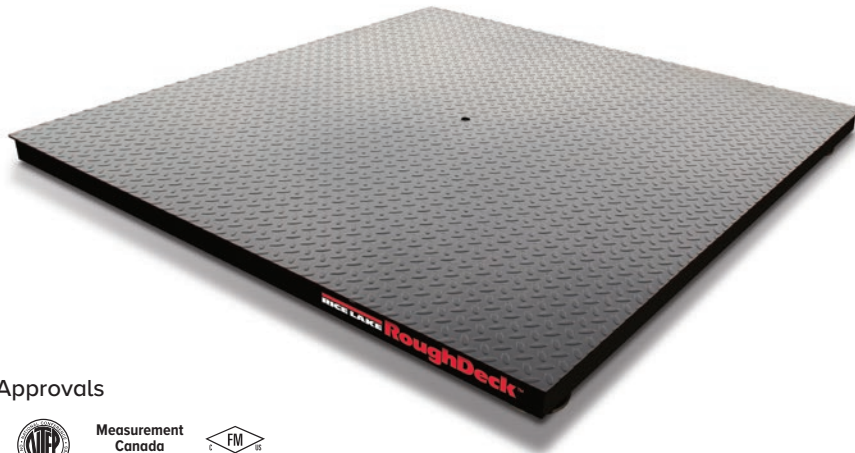
### Rating/Material:

- IP69K
- AISI 304 stainless steel

### Approvals:

- NTEP 19-021, Class III/IIIL, 10,000d
- Measurement Canada AM-6121C, Class III/IIHD, 10,000d
- OIML R76/2006-A-NL1-19.56
- cULus Listed
- CE Marked





### Standard Features

- Heavy-duty industrial design
- Structural steel channel frame
- Four NTEP Certified alloy steel, shear beam load cells
- 20 ft SURVIVOR® EL147HE hostile environment load cell cable
- Side-access junction box
- Rugged diamond deck safety treadplate
- 4 adjustable stainless steel SUREFOOT™ support feet
- 4 corner overload stops (Canadian versions only)
- Level bubble (Canadian versions only)

### Specifications

#### End Load Capacity:

- 200% full scale at 1,000 lb
- 100% full scale at 2,000 lb, and 5,000 lb
- 80% full scale at 10,000 lb

#### Cable Length:

- 20 ft (6.1 m) for connecting junction box to indicator

#### Junction Box:

- TuffSeal® JB4SS stainless steel, NEMA Type 4X junction box with signal trim card

#### Welding:

- Stitch

#### Threaded Eyebolt:

- Hole (1/2-20 NF) located in center of deck for easy lifting

#### Warranty (limited):

- Weldment: Five-year
- Load cells: Two-year
- All other components: One-year

#### Approvals:

- NTEP CC 92-001, Class III 5,000d
- Measurement Canada AM-4827, Class III 5,000d

### Approvals



Measurement  
Canada  
Approved



### Part Number/Price

Part #	Part #	Size (W × L × H)	Capacity	Est. Weight	Price
With Quick Connector	Without Quick Connector				
66318 <sup>†</sup>	67695	2.5 ft × 2.5 ft × 3.5 in	2,000 lb	173 lb	\$1,995.00
66320 <sup>†</sup>	67693	3 ft × 3 ft × 3.5 in	1,000 lb	232 lb	\$1,995.00
66317 <sup>†</sup>	67696	3 ft × 3 ft × 3.5 in	2,000 lb	232 lb	\$1,995.00
105300 <sup>†</sup>	105301	3 ft × 3 ft × 3.5 in	5,000 lb	232 lb	\$1,995.00
66319	67694	4 ft × 4 ft × 3.5 in	1,000 lb	375 lb	\$2,120.00
67618	67697	4 ft × 4 ft × 3.5 in	2,000 lb	375 lb	\$2,120.00
66316	67698	4 ft × 4 ft × 3.5 in	5,000 lb	375 lb	\$2,120.00
66315	67699	4 ft × 4 ft × 3.5 in	10,000 lb	375 lb	\$2,120.00
66314	67700	4 ft × 5 ft × 3.5 in	5,000 lb	437 lb	\$2,330.00
66313	67701	4 ft × 5 ft × 3.5 in	10,000 lb	567 lb	\$3,130.00
66312	67702	4 ft × 6 ft × 3.5 in	5,000 lb	510 lb	\$2,510.00
66311	67703	4 ft × 6 ft × 3.5 in	10,000 lb	656 lb	\$3,310.00
66310	67704	5 ft × 5 ft × 3.5 in	5,000 lb	541 lb	\$2,545.00
66309	67705	5 ft × 5 ft × 3.5 in	10,000 lb	696 lb	\$3,345.00
66308	67706	5 ft × 6 ft × 3.5 in	5,000 lb	646 lb	\$2,810.00
66307	67707	5 ft × 6 ft × 3.5 in	10,000 lb	821 lb	\$3,810.00
66306	67708	5 ft × 7 ft × 3.5 in	5,000 lb	734 lb	\$3,025.00
66305	67709	5 ft × 7 ft × 3.5 in	10,000 lb	929 lb	\$4,025.00
<b>Canadian Weights and Measures Approved</b>					
191928 <sup>†</sup>	191930	2.5 ft × 2.5 ft × 3.5 in	1,000 kg	173 lb	\$1,995.00
191949 <sup>†</sup>	191950	3 ft × 3 ft × 3.5 in	500 kg	232 lb	\$1,995.00
66464 <sup>†</sup>	67710	3 ft × 3 ft × 3.5 in	1,000 kg	232 lb	\$1,995.00
191931 <sup>†</sup>	191932	3 ft × 3 ft × 3.5 in	2,500 kg	232 lb	\$1,995.00
191951	191952	4 ft × 4 ft × 3.5 in	500 kg	375 lb	\$2,120.00
191933	191934	4 ft × 4 ft × 3.5 in	1,000 kg	375 lb	\$2,120.00
66465	67711	4 ft × 4 ft × 3.5 in	2,500 kg	375 lb	\$2,120.00
66466	67712	4 ft × 4 ft × 3.5 in	5,000 kg	375 lb	\$2,120.00
191935	191936	4 ft × 5 ft × 3.5 in	2,500 kg	437 lb	\$2,330.00
191937	191938	4 ft × 5 ft × 3.5 in	5,000 kg	567 lb	\$3,130.00
191939	191940	4 ft × 6 ft × 3.5 in	2,500 kg	510 lb	\$2,510.00
191941	191942	4 ft × 6 ft × 3.5 in	5,000 kg	656 lb	\$3,310.00
66467	67713	5 ft × 5 ft × 3.5 in	2,500 kg	541 lb	\$2,545.00
66468	67714	5 ft × 5 ft × 3.5 in	5,000 kg	696 lb	\$3,345.00
191943	191944	5 ft × 6 ft × 3.5 in	2,500 kg	646 lb	\$2,810.00
191945	191946	5 ft × 6 ft × 3.5 in	5,000 kg	821 lb	\$3,810.00
66469	67715	5 ft × 7 ft × 3.5 in	2,500 kg	934 lb	\$3,025.00
66470	67716	5 ft × 7 ft × 3.5 in	5,000 kg	929 lb	\$4,025.00

<sup>†</sup> Not recommended for use with pallet jacks

# RoughDeck® HP

High Performance Structural Steel Low-profile Floor Scale

## Options/Accessories

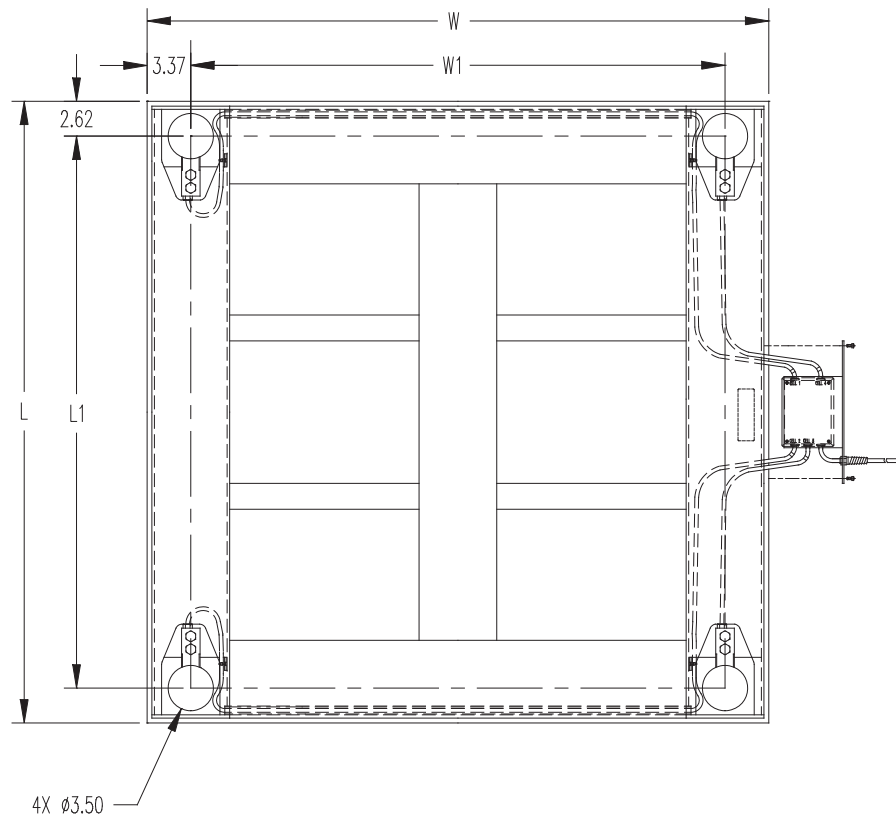
Part #	Description	Price
Consult	Access ramps available	See catalog page 390
Consult	Pit frames available	See catalog page 393
Consult	Bumper guards available	See catalog page 396 through catalog page 398
Consult	Portability frames available	See catalog page 399 through catalog page 404
Consult	Smooth deck instead of diamond safety treadplate	N/C
Consult	Four drilled deck holes for scale height adjustment	\$40.00
18777	Floor anchor plates, mild steel (set of 2)	\$38.00
19352	Floor stand for indicator, 36.3 in high, mild steel	\$250.00
126384	Floor stand for indicator, 48 in high, mild steel	\$275.00
Consult	Mild steel deck with RL32018S IP66 stainless steel cFMus approved load cells and hardware	+\$128.00 list price add-on
Consult	Mild steel deck with RL32218S-HE hermetically sealed IP69K stainless steel cFMus approved load cells and hardware	+\$468.00 list price add-on
Consult	Epoxy paint	+\$150.00 list price add-on
Consult	Top-access junction box	+\$100.00 list price add-on
Consult	Forklift channel option (up to 7 × 5 ft 10,000 lb, accommodates fork tines no larger than (W × H) 5 × 2 in, fork entry is on opposite side of junction box location)	+\$500.00 list price add-on

FLOOR SCALES

## Dimensions

Length	L1	W	W1	H
30.00 in	24.75 in	30.00 in	23.25 in	3.50 in
36.00 in	30.75 in	36.00 in	29.25 in	3.50 in
48.00 in	42.75 in	48.00 in	41.25 in	3.50 in
60.00 in	54.75 in	48.00 in	41.25 in	3.50 in
72.00 in	66.75 in	48.00 in	41.25 in	3.50 in
60.00 in	54.75 in	60.00 in	53.25 in	3.50 in
72.00 in	66.75 in	60.00 in	53.25 in	3.50 in
84.00 in	78.75 in	60.00 in	53.25 in	3.50 in

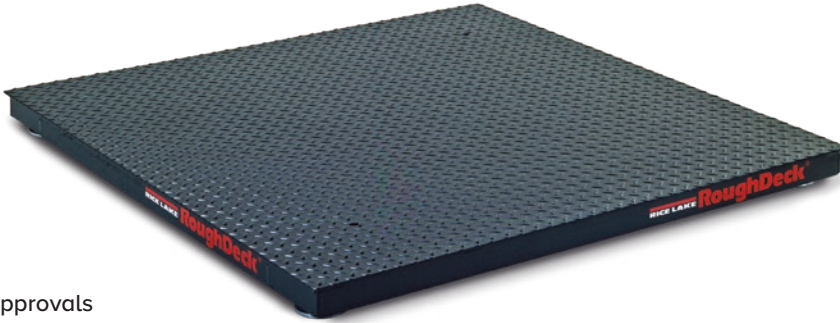
Note: 1 in=25.4 mm.





# RoughDeck® HP-H

High Performance Heavy Capacity Floor Scale



## Approvals



Measurement  
Canada  
Approved



Capacities  
greater  
than  
10,000kg

## Part Number/Price

Part #	Part #	Size (W x L x H)	Capacity	Est. Weight	Price
With Quick Connector	Without Quick Connector				
<b>NTEP Approved</b>					
66474	67717	4 ft x 4 ft x 4 in	20,000 lb (10,000 kg)	601 lb	\$3,935.00
66475	67718	4 ft x 5 ft x 4 in	20,000 lb (10,000 kg)	775 lb	\$4,205.00
66476	67719	4 ft x 6 ft x 4 in	20,000 lb (10,000 kg)	926 lb	\$4,585.00
66477	67720	4 ft x 7 ft x 4 in	20,000 lb (10,000 kg)	1,135 lb	\$4,950.00
66478	67721	5 ft x 5 ft x 4 in	20,000 lb (10,000 kg)	926 lb	\$4,560.00
66479	67722	5 ft x 6 ft x 4 in	20,000 lb (10,000 kg)	1,104 lb	\$5,125.00
66480	67723	5 ft x 7 ft x 4 in	20,000 lb (10,000 kg)	1,377 lb	\$5,345.00
66481	67724	6 ft x 6 ft x 4 in	20,000 lb (10,000 kg)	1,319 lb	\$6,045.00
66482	67725	6 ft x 8 ft x 4 in	20,000 lb (10,000 kg)	1,861 lb	\$7,500.00
66483	67726	7 ft x 9 ft x 4 in	20,000 lb (10,000 kg)	2,408 lb	\$9,370.00
66484	67727	7 ft x 10 ft x 4 in	20,000 lb (10,000 kg)	2,959 lb	\$10,895.00
66485	67728	8 ft x 10 ft x 4 in	20,000 lb (10,000 kg)	3,108 lb	\$12,310.00
66486	67729	4 ft x 4 ft x 5 in	30,000 lb (15,000 kg)	675 lb	\$4,705.00
66487	67730	4 ft x 5 ft x 5 in	30,000 lb (15,000 kg)	839 lb	\$5,135.00
66488	67731	4 ft x 6 ft x 5 in	30,000 lb (15,000 kg)	1,071 lb	\$5,310.00
66489	67732	4 ft x 7 ft x 5 in	30,000 lb (15,000 kg)	1,200 lb	\$5,700.00
66490	67733	5 ft x 5 ft x 5 in	30,000 lb (15,000 kg)	1,021 lb	\$5,265.00
66491	67734	5 ft x 7 ft x 5 in	30,000 lb (15,000 kg)	1,448 lb	\$6,070.00
66492	67735	6 ft x 6 ft x 5 in	30,000 lb (15,000 kg)	1,438 lb	\$6,875.00
66493	67736	7 ft x 10 ft x 5 in	30,000 lb (15,000 kg)	3,372 lb	\$11,910.00
66494	67737	8 ft x 10 ft x 5 in	30,000 lb (15,000 kg)	3,699 lb	\$13,360.00
<b>Canadian Weights and Measures Approved</b>					
197355	197365	4 ft x 4 ft x 5 in	30,000 lb (15,000 kg)	675 lb	\$4,705.00
197356	197366	4 ft x 5 ft x 5 in	30,000 lb (15,000 kg)	839 lb	\$5,135.00
197357	197367	4 ft x 6 ft x 5 in	30,000 lb (15,000 kg)	1,071 lb	\$5,310.00
197358	197368	4 ft x 7 ft x 5 in	30,000 lb (15,000 kg)	1,200 lb	\$5,700.00
197359	197369	5 ft x 5 ft x 5 in	30,000 lb (15,000 kg)	1,021 lb	\$5,265.00
197360	197375	5 ft x 7 ft x 5 in	30,000 lb (15,000 kg)	1,448 lb	\$6,070.00
197361	197376	6 ft x 6 ft x 5 in	30,000 lb (15,000 kg)	1,438 lb	\$6,875.00
197363	197377	7 ft x 10 ft x 5 in	30,000 lb (15,000 kg)	3,372 lb	\$11,910.00
197364	197378	8 ft x 10 ft x 5 in	30,000 lb (15,000 kg)	3,699 lb	\$13,360.00

## Standard Features

- Heavy-duty industrial design
- Structural steel channel frame
- Four NTEP Certified alloy steel, shear beam load cells
- 20 ft SURVIVOR® EL147HE hostile environment load cell cable
- Side-access junction box
- Rugged diamond safety treadplate deck
- Four adjustable mild steel SUREFOOT™ support feet

## Specifications

### End Load Capacity:

100% full scale at 20,000 lb  
66% full scale at 30,000 lb

### Cable Length:

20 ft (6.1 m) for connecting junction box to indicator

### Junction Box:

TuffSeal® JB4SS stainless steel, NEMA Type 4X junction box with signal trim card

### Welding:

Stitch

### Threaded Eyebolt:

Hole (3/4-10 NC) located in center of deck for easy lifting

### Warranty (limited):

Weldment: Five-year  
Load cells: Two-year  
All other components: One-year

### Approvals:

NTEP CC 92-001, Class III, 5,000 d  
Measurement Canada AM-5284  
(Only capacities greater than 10,000 kg)

# RoughDeck® HP-H

High Performance Heavy Capacity Floor Scale

## Options/Accessories

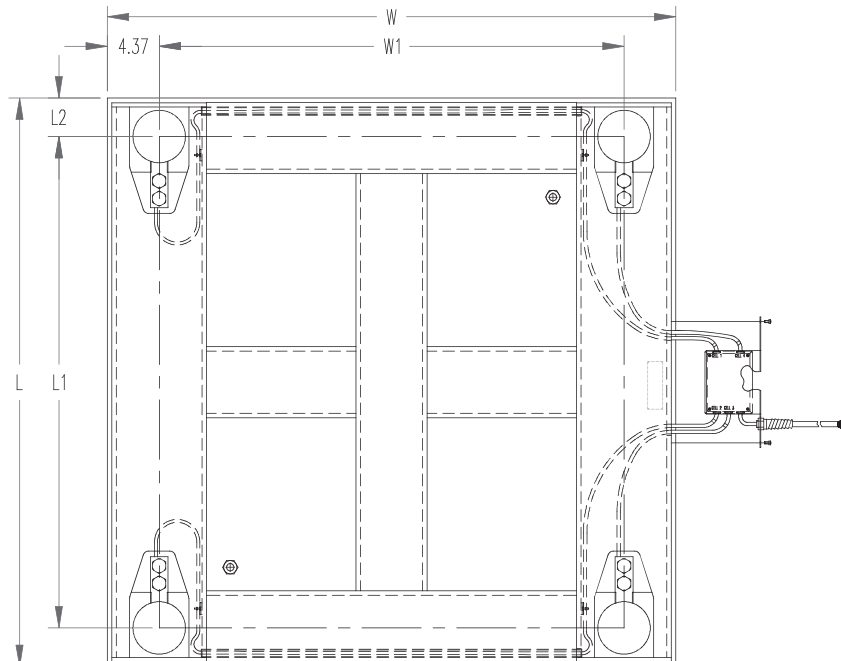
Part #	Description	Price
Consult	Access ramps available	See catalog page 390
Consult	Pit frames available	See catalog page 393
Consult	Bumper guards available	See catalog page 396 through catalog page 398
Consult	Portability frames available	See catalog page 399 through catalog page 404
Consult	Smooth deck instead of diamond safety treadplate	No charge
40387	Anchor plate set, mild steel, 20,000 lb capacity models (optional)	\$51.00
40388	Anchor plate set, mild steel, 30,000 lb capacity models (optional)	\$51.00
Consult	Four drilled deck holes for scale height adjustment	\$40.00
19352	Floor stand for indicator, 36.3 in high, mild steel	\$250.00
126384	Floor stand for indicator, 48 in high, mild steel	\$275.00
Consult	Mild steel deck with RL32018S IP66 stainless steel cFMus approved load cells and hardware	+\$168.00 list price add-on
Consult	Mild steel deck with RL32218S-HE welded-seal IP69K stainless steel cFMus approved load cells and hardware	+\$316.00 list price add-on
Consult	Epoxy paint	+\$150.00 list price add-on
Consult	Top-access junction box	+\$100.00 list price add-on

## Dimensions

Length	L1	W	W1	H	Length	L1	W	W1	H
<b>20,000 Capacity</b>					<b>30,000 Capacity</b>				
48.00 in	41.50 in	48.00 in	39.25 in	4.00 in	48.00 in	40.50 in	48.00 in	39.25 in	5.00 in
60.00 in	53.50 in	48.00 in	39.25 in	4.00 in	60.00 in	52.50 in	48.00 in	39.25 in	5.00 in
72.00 in	65.50 in	48.00 in	39.25 in	4.00 in	72.00 in	64.50 in	48.00 in	39.25 in	5.00 in
84.00 in	77.50 in	48.00 in	39.25 in	4.00 in	84.00 in	76.50 in	48.00 in	39.25 in	5.00 in
60.00 in	53.50 in	60.00 in	51.25 in	4.00 in	60.00 in	52.50 in	60.00 in	51.25 in	5.00 in
72.00 in	65.50 in	60.00 in	51.25 in	4.00 in	84.00 in	76.50 in	60.00 in	51.25 in	5.00 in
84.00 in	77.50 in	60.00 in	51.25 in	4.00 in	72.00 in	64.50 in	72.00 in	63.25 in	5.00 in
72.00 in	65.50 in	72.00 in	63.25 in	4.00 in	120.00 in	112.50 in	84.00 in	75.25 in	5.00 in
96.00 in	89.50 in	72.00 in	63.25 in	4.00 in	120.00 in	112.50 in	96.00 in	87.25 in	5.00 in
180.00 in	101.50 in	84.00 in	75.25 in	4.00 in					
120.00 in	113.50 in	84.00 in	75.25 in	4.00 in					
120.00 in	113.50 in	96.00 in	87.25 in	4.00 in					

Note: 1 in=25.4 mm.

Note: 1 in=25.4 mm.





## Approvals



## Part Number/Price

Part #	Size (W × L × H)	Capacity	Est. Weight	Price
195834	4 ft × 4 ft × 3.5 in	5,000 lb	375 lb	\$2,540.00
195835	4 ft × 4 ft × 3.5 in	10,000 lb	375 lb	\$2,540.00
195836	5 ft × 5 ft × 3.5 in	5,000 lb	541 lb	\$3,000.00
195837	5 ft × 5 ft × 3.5 in	10,000 lb	696 lb	\$3,840.00

## Options/Accessories

Part #	Description	Price
18777	Floor anchor plates, mild steel (set of 2)	\$38.00

## Standard Features

- Heavy-duty industrial design
- Structural steel channel frame
- Four NTEP Certified alloy steel, shear beam load cells
- 20 ft SURVIVOR® EL147HE hostile environment load cell cable with 1/2-inch conduit fitting (conduit for homerun cable to be supplied by customer)
- Top-access junction box with additional top access cover for routing load cell cable into scale conduit
- Rugged diamond deck safety treadplate
- Four adjustable stainless steel SUREFOOT™ support feet

## Specifications

### End Load Capacity:

- 100% full scale at 5,000 lb
- 80% full scale at 10,000 lb

### Cable Length:

- 20 ft (6.1 m) for connecting junction box to indicator

*Note: 1/2 in conduit fitting supplied, conduit for home run cable to be supplied by customer*

### Junction Box:

- TuffSeal® JB4SS stainless steel, NEMA Type 4X junction box with signal trim card

### Welding:

- Stitch

### Threaded Eyebolt:

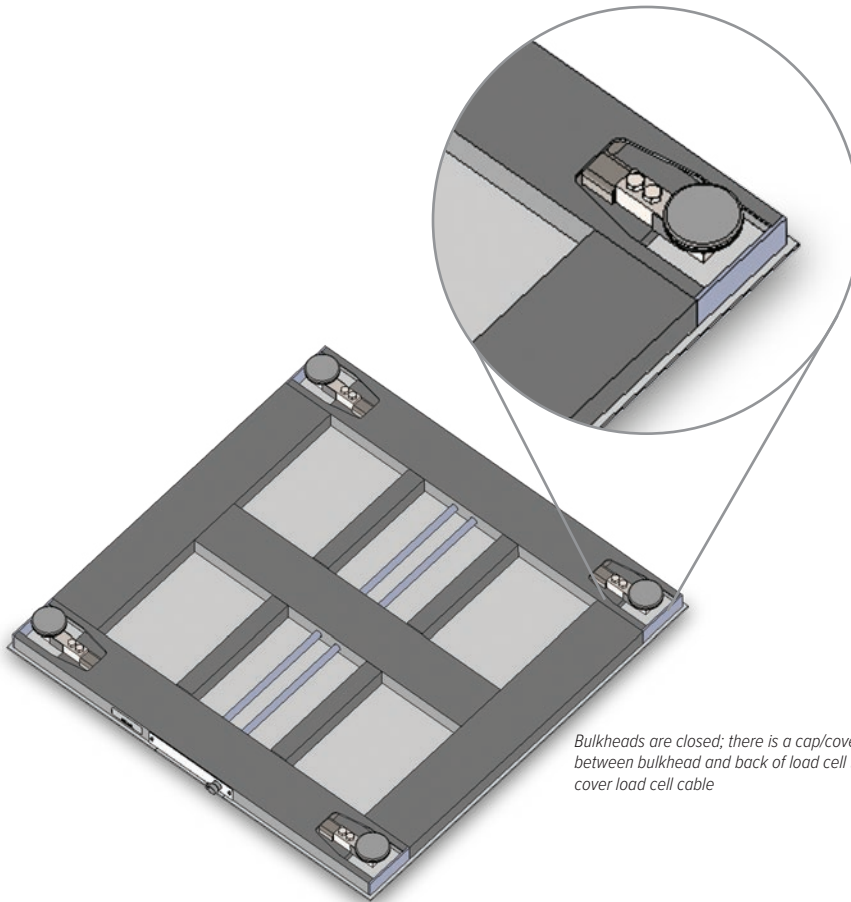
- Hole (1/2-20 NF) located in center of deck for easy lifting

### Warranty (limited):

- Weldment: Five-year
- Load cells: Two-year
- All other components: One-year

### Approvals:

- NTEP CC 92-001, Class III 5,000d

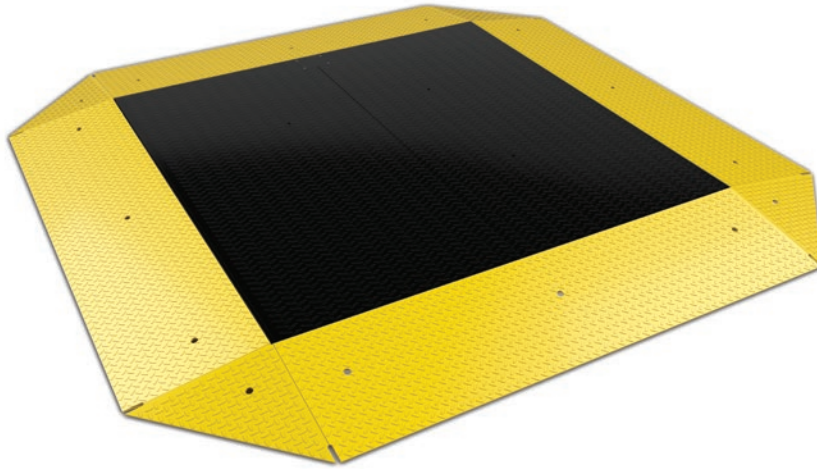


*Bulkheads are closed; there is a cap/cover between bulkhead and back of load cell to cover load cell cable*

# RoughDeck PC

Pancake Deck Cargo Scale

FLOOR SCALES



## Standard Features

- Foot adjustment holes for leveling scale from above
- Four ball-encapsulated feet
- Four IP66, alloy steel 10,000 lb load cells
- Top-access junction box
- Epoxy paint for added protection. Ramps are painted yellow and scale is painted black to easily distinguish live weighing surface.
- 20 ft SURVIVOR® EL147HE hostile environment load cell cable to connect scale to indicator. Cable can exit scale/ramp from any corner.
- Scale and wraparound ramps to access scale from all sides
- Ramps have integrated foot keeper plates to keep scale in check with ramps
- Holes in ramps to access internal anchor tabs from above. 16 anchor bolts at 3/4 in included.
- All surfaces diamond tread

## Specifications

### End Load Capacity:

100% full scale at 20,000 lb

### Cable Length:

20 ft (6.1 m) for connecting junction box to indicator

### Junction Box:

TuffSeal® JB4SS stainless steel, NEMA Type 4X junction box with signal trim card

### Welding:

Stitch

### Threaded Eyebolt:

Four holes (3/4-10 NC)

### Warranty (limited):

Weldment: Five-year  
Load cells: Two-year  
All other components: One-year

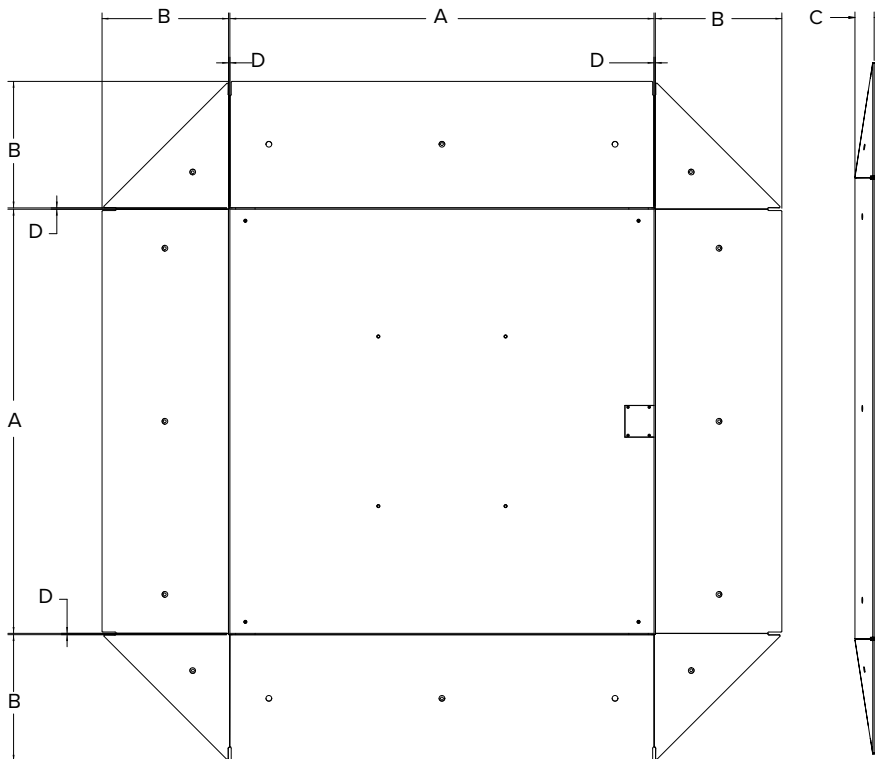
## Part Number/Price

Part #	Overall Size (W × L × H)	Ramp Angle of Incline	Capacity	Est. Weight	Price
194338	Scale: 10 ft × 10 ft × 4 3/8 in Ramps: (4) 3 ft × 10 ft × 4 3/8 in Corners: (4) 3 ft × 4 ft 1 in × 4 3/8 in	6.5°	20,000 lb	6,800 lb	\$26,795.00

## Dimensions

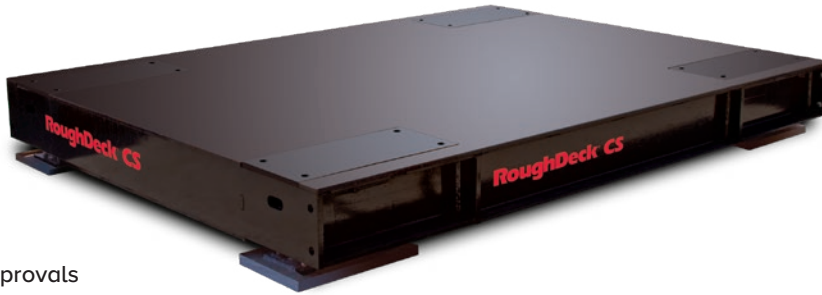
RoughDeck PC			
A	120.00 in	C	4.37 in
B	35.80 in	D	0.38 in

Note: 1 in=25.4 mm



# RoughDeck® CS

Coil Floor Scale



## Approvals

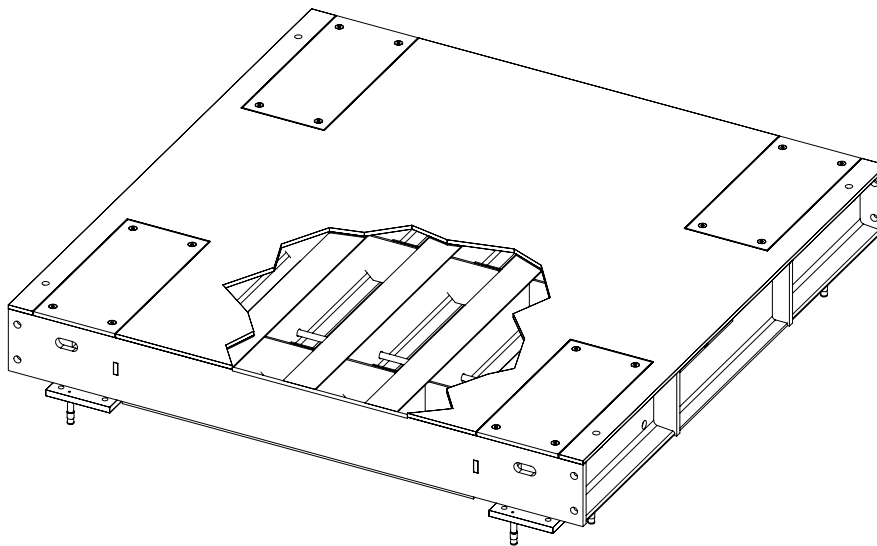


## Part Number/Price

Part #	Size (W × LW × H)	Capacity	Est. Weight	Price
107493	5 ft × 5 ft × 11 in	40,000 lb (20,000 kg)	1,900 lb	\$15,750.00
107494	5 ft × 5 ft × 11 in	60,000 lb (30,000 kg)	1,900 lb	\$15,750.00
107495	5 ft × 5 ft × 11 in	80,000 lb (40,000 kg)	1,900 lb	\$15,750.00
107496	6 ft × 6 ft × 11 in	40,000 lb (20,000 kg)	2,575 lb	\$17,850.00
107497	6 ft × 6 ft × 11 in	60,000 lb (30,000 kg)	2,575 lb	\$17,850.00
107498	6 ft × 6 ft × 11 in	80,000 lb (40,000 kg)	2,575 lb	\$17,850.00

## Options/Accessories

Part #	Description	Price
114678	V-Top coil cradle (5 × 5 ft scale)	\$6,500.00
114684	V-Top coil cradle (6 × 6 ft scale)	\$8,100.00
Consult	Pit coping	Consult



## Standard Features

- Capacities: 40,000 to 80,000 lb; consult factory for custom capacities
- Deck thickness: 1/2 in smooth top plate
- MVS self-checking mounting system, top access to load cells
- Black epoxy paint
- 20 ft SURVIVOR® EL147HE hostile environment load cell cable
- Ships unassembled with eight concrete anchor bolts

## Specifications

### Capacities:

Scale, load cell mount :  
 40,000 lb: Qty 4 50,000 lb each  
 60,000 lb: Qty 4 50,000 lb each  
 80,000 lb: Qty 4 75,000 lb each

### Understructure Clearance:

1.91 in minimum

### Cable Length:

20 ft (6.1 m) for connecting junction box to indicator

### Junction Box:

TuffSeal® JB4SS stainless steel, NEMA Type 4X junction box with signal trim card

### Welding:

Stitch

### Warranty (limited):

Weldment: Five-year  
 Load cells: Two-year  
 All other components: One-year

### Approvals:

NTEP CC 11-068, Class III, 5,000 d

FLOOR SCALES

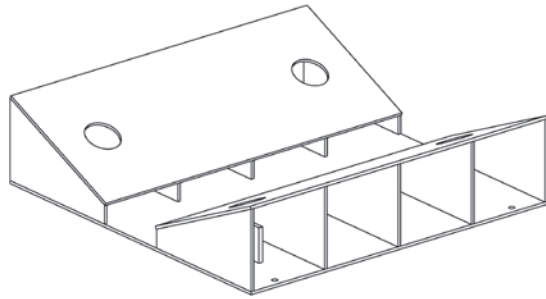
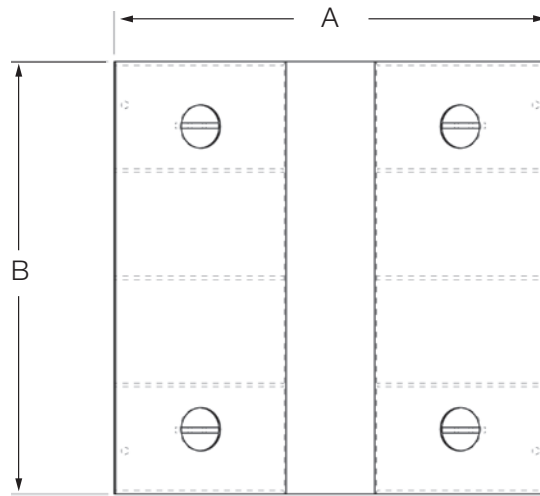
# RoughDeck® CS

Coil Floor Scale

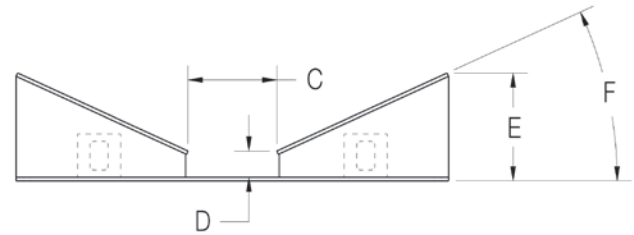
## Dimensions

RoughDeck CS			
5 ft × 5 ft V-Top Coil Cradle			
A	60.00 in	D	3.64 in
B	60.00 in	E	14.95 in
C	12.30 in	F	25°
6 ft × 6 ft V-Top Coil Cradle			
A	72.00 in	D	3.99 in
B	72.00 in	E	14.96 in
C	22.62 in	F	24°

Note: 1 in=25.4 mm



V-Top Coil Cradle

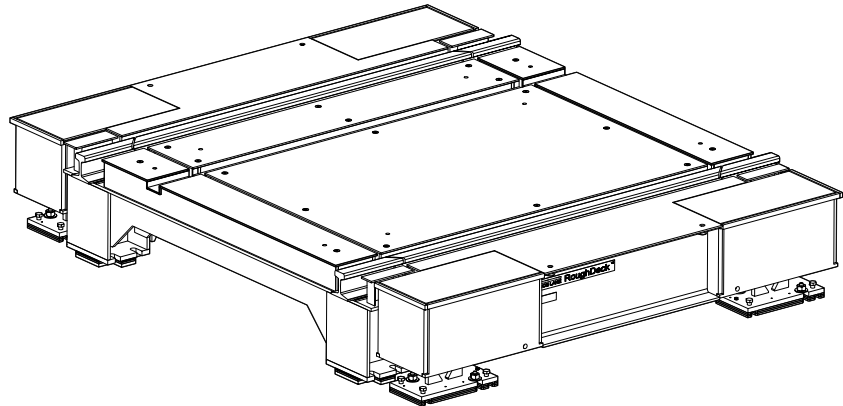


FLOOR SCALES



# RoughDeck® CS Rail Car

Top-access Coil Scale



FLOOR SCALES

Scale Capacity: \_\_\_\_\_

Rail Size: \_\_\_\_\_

*Note: Rails to be welded on-site*

New Installation or Existing?  New  Existing

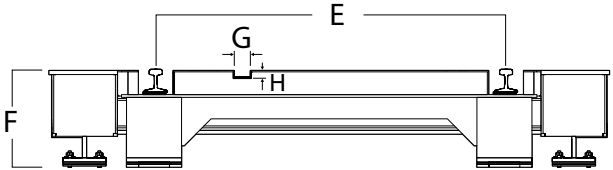
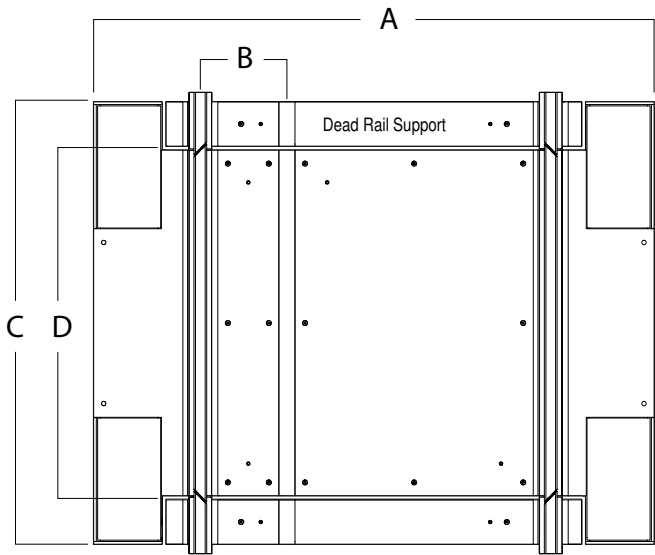
Size of Cart: \_\_\_\_\_

Size of Wheel Base: \_\_\_\_\_

Cable Through Required?  Yes  No

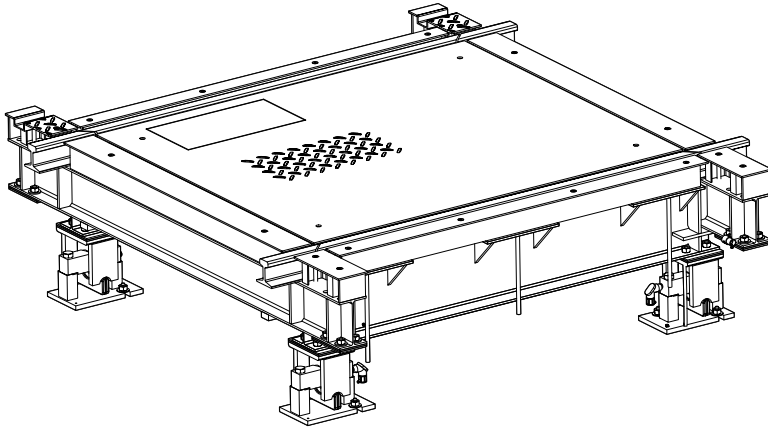
Grout or Shim Installation?  Grout  Shim

Scale Size	
<b>A</b> (PIT WIDTH)	
<b>B</b> (RAIL TO CHANNEL ON CENTER)	
<b>C</b> (PIT OPENING)	
<b>D</b> (SCALE LENGTH)	
<b>E</b> (RAIL WIDTH ON CENTER)	
<b>F</b> (PIT DEPTH)	
<b>G</b> (CABLE CHANNEL WIDTH)	
<b>H</b> (CABLE CHANNEL DEPTH)	



# RoughDeck® CS Rail Car

Under Beam Mount Coil Scale



FLOOR SCALES

Scale Capacity: \_\_\_\_\_

Rail Size: \_\_\_\_\_

*Note: Rails to be welded onsite*

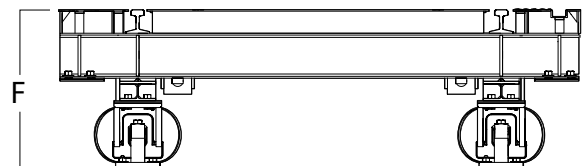
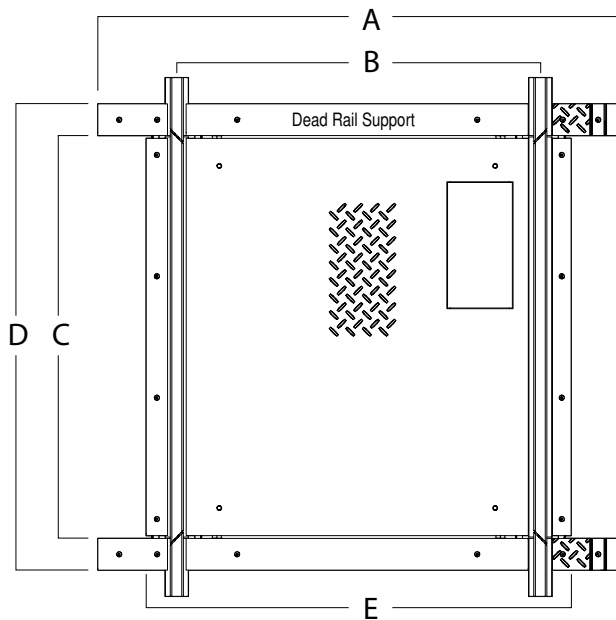
New Installation or Existing?  New  Existing

Size of Cart: \_\_\_\_\_

Size of Wheel Base: \_\_\_\_\_

Grout or Shim Installation?  Grout  Shim

Scale Size	
<b>A</b> (DEAD RAIL BEAM)	
<b>B</b> (RAIL WIDTH ON CENTER)	
<b>C</b> (SCALE LENGTH)	
<b>D</b> (PIT OPENING)	
<b>E</b> (SCALE WIDTH)	
<b>F</b> (PIT DEPTH)	





## Approvals



Measurement  
Canada  
Approved



## Part Number/Price

NTEP Approved Part #	Measurement Canada Approved Part #	Size (W × L × H)	Capacity	Est. Weight	Price
18663 <sup>†</sup>	191958 <sup>†</sup>	2.5 ft × 2.5 ft × 3.5 in	2,000 lb (1,000 kg)	173 lb	\$3,150.00
46239 <sup>†</sup>	191959 <sup>†</sup>	3 ft × 3 ft × 3.5 in	1,000 lb (500 kg)	232 lb	\$3,625.00
18664 <sup>†</sup>	191960 <sup>†</sup>	3 ft × 3 ft × 3.5 in	2,000 lb (1,000 kg)	232 lb	\$3,625.00
46241	191961	4 ft × 4 ft × 3.5 in	1,000 lb (500 kg)	375 lb	\$5,200.00
18665	191962	4 ft × 4 ft × 3.5 in	5,000 lb (2,500 kg)	375 lb	\$5,200.00
18666	191964	4 ft × 4 ft × 3.5 in	10,000 lb (5,000 kg)	490 lb	\$7,200.00
18667	191965	4 ft × 5 ft × 3.5 in	5,000 lb (2,500 kg)	437 lb	\$5,940.00
18668	191966	4 ft × 5 ft × 3.5 in	10,000 lb (5,000 kg)	567 lb	\$8,415.00
18671	191967	5 ft × 5 ft × 3.5 in	5,000 lb (2,500 kg)	541 lb	\$7,635.00
18672	191968	5 ft × 5 ft × 3.5 in	10,000 lb (5,000 kg)	696 lb	\$9,815.00
18675	191969	5 ft × 7 ft × 3.5 in	5,000 lb (2,500 kg)	734 lb	\$10,115.00
18676	191970	5 ft × 7 ft × 3.5 in	10,000 lb (5,000 kg)	929 lb	\$12,940.00

<sup>†</sup> Not recommended for use with pallet jacks

## Options/Accessories

Part #	Description	Price
Consult	Access ramps available	See catalog page 390
Consult	Pit frames available	See catalog page 393
Consult	Bumper guards available	See catalog page 396 through catalog page 398
Consult	Portability frames available	See catalog page 399 through catalog page 404
18778	Floor anchor plates, stainless steel (set of 2)	\$50.00
Consult	Four drilled deck holes for scale height adjustment	\$40.00
Consult	Top-access junction box	+\$100.00 list price add-on
Consult	Stainless steel deck with RL32218S-HE hermetically sealed IP69K stainless steel cFMus approved load cells and hardware	+\$340.00 list price add-on
28740	Floor stand for indicator, 36.3 in high, stainless steel	\$340.00
Consult	Stainless steel diamond treadplate safety deck	Consult
Consult	Forklift channel option (up to 5 × 7 ft, 10,000 lb, accommodates fork tines no larger than (W × H) 5 × 2 in, fork entry is on opposite side of junction box location)	+\$1,700.00 list price add-on

## Standard Features

- Rugged non-corrosive design
- 304 stainless steel construction
- Rigid stainless steel channel frame
- Four stainless steel, NTEP Certified, IP66 shear beam load cells
- 20 ft of SURVIVOR® EL147HE hostile environment load cell cable
- Side access junction box
- Smooth stainless steel deck
- Four adjustable stainless steel SUREFOOT™ support feet

## Specifications

### End Load Capacity:

- 200% full scale at 1,000 lb
- 100% full scale at 2,000 lb and 5,000 lb
- 80% full scale at 10,000 lb

### Cable Length:

- 20 ft (6.1 m) (for connecting junction box to indicator)

### Scale Weldment:

- AISI304L, glass bead blasted for even appearance

### Junction Box:

- TuffSeal® JB4SS stainless steel, NEMA Type 4X junction box with signal trim card

### Welding:

- Stitch, consult factory if continuous is required

### Threaded Eyebolt:

- Hole (1/2-20 NF) located in center of deck for easy lifting

### Warranty (limited):

- Weldment: Five-year
- Load cells: Two-year
- All other components: One-year

### Approvals:

- NTEP CC 92-001, Class III 5,000 d
- Measurement Canada AM-4827, Class III 5,000 d

# RoughDeck® HE

Hostile Environment Stainless Steel Floor Scale



## Approvals



Measurement  
Canada  
Approved



## Part Number/Price

NTEP Approved Part #	Measurement Canada Approved Part #	Size (W × L × H)	Capacity	Est. Weight	Price
18680†	193293	2.5 ft × 2.5 ft × 3.5 in	2,000 lb (1,000 kg)	173 lb	\$3,490.00
18681†	193294	3 ft × 3 ft × 3.5 in	2,000 lb (1,000 kg)	232 lb	\$3,965.00
18682	193296	4 ft × 4 ft × 3.5 in	5,000 lb (2,500 kg)	375 lb	\$5,540.00
18683	193297	4 ft × 4 ft × 3.5 in	10,000 lb (5,000 kg)	490 lb	\$7,540.00
18684	193298	4 ft × 5 ft × 3.5 in	5,000 lb (2,500 kg)	437 lb	\$6,280.00
18685	193307	4 ft × 5 ft × 3.5 in	10,000 lb (5,000 kg)	567 lb	\$8,755.00
18688	193308	5 ft × 5 ft × 3.5 in	5,000 lb (2,500 kg)	541 lb	\$7,975.00
18689	193309	5 ft × 5 ft × 3.5 in	10,000 lb (5,000 kg)	696 lb	\$10,155.00
18692	193310	5 ft × 7 ft × 3.5 in	5,000 lb (2,500 kg)	734 lb	\$10,455.00
18693	193311	5 ft × 7 ft × 3.5 in	10,000 lb (5,000 kg)	929 lb	\$13,280.00

†Not recommended for use with pallet jacks

## Options/Accessories

Part #	Description	Price
Consult	Access ramps available	See catalog page 390
Consult	Pit frames available	See catalog page 393
Consult	Bumper guards available	See catalog page 396 through catalog page 398
Consult	Portability frames available	See catalog page 399 through catalog page 404
18778	Floor anchor plates, stainless steel (set of two)	\$50.00
Consult	Four drilled deck holes for scale height adjustment	\$40.00
28740	Floor stand for indicator, 36.3 in high, stainless steel	\$340.00
Consult	Stainless steel diamond treadplate safety deck	Consult
Consult	Forklift channel option (up to 5 × 7 ft, 10,000 lb, accommodates fork tines no larger than (W × H) 5 × 2 in, fork entry is on opposite side of junction box location)	+\$1,700.00 list price add-on

## Standard Features

- Rugged washdown design
- 304 stainless steel construction
- Rigid 304 stainless steel channel frame
- Four stainless steel, hermetically sealed, IP69K shear beam load cells
- 20 ft of SURVIVOR® EL147HE hostile environment load cell cable
- Load cells protected on all four sides
- Smooth stainless steel deck
- Remote mounted junction box

## Specifications

### End Load Capacity:

100% full scale at 2,000 lb and 5,000 lb  
80% full scale at 10,000 lb

### Cable Length:

20 ft (6.1 m)

### Scale Weldment:

AISI304L, glass bead blasted for even appearance

### Junction Box:

TuffSeal® JB4SS stainless steel, NEMA Type 4X junction box with signal trim card

### Welding:

Stitch, consult factory if continuous is required

### Threaded Eyebolt:

Hole (1/2-20 NF) located in center of deck for easy lifting

### Warranty (limited):

Weldment: Five-year  
Load cells: Two-year  
All other components: One-year

### Approvals:

NTEP Certified, CC 92-001 Class III 5,000 d  
Measurement Canada AM-4827, Class III 5,000 d



### Approvals



Measurement  
Canada  
Approved



The pneumatic  
control box must  
be located in the  
safe area.

### Part Number/Price

Part #	Size (W x L)	Capacity	Est. Weight	Price
42207	4 x 4 ft	2,000 lb (1,000 kg)	640 lb	\$18,140.00
42208	4 x 4 ft	5,000 lb (2,500 kg)	640 lb	\$18,140.00
42209	4 x 4 ft	10,000 lb (5,000 kg)	750 lb	\$18,735.00
42211	5 x 5 ft	2,000 lb (1,000 kg)	830 lb	\$23,075.00
42212	5 x 5 ft	5,000 lb (2,500 kg)	830 lb	\$23,075.00
42213	5 x 5 ft	10,000 lb (5,000 kg)	1,050 lb	\$23,455.00

### Options/Accessories

Part #	Description	Price
Consult	Four drilled deck holes for scale height adjustment	\$40.00
28740	Floor stand for indicator, 36.3 in high stainless steel	\$340.00

### Standard Features

- Includes scale, pit frame, pit coping and pneumatic control box
- Rugged washdown design
- 304 stainless steel construction
- Rigid 304 stainless steel channel frame
- Meets HACCP requirements
- Manual, drop-in-place, safety bar
- Four stainless steel, hermetically sealed, IP69K shear beam load cells
- Load cells protected on all four sides
- 20 ft of SURVIVOR® hostile environment load cell cable
- Smooth stainless steel deck
- Four adjustable stainless steel SUREFOOT™ support feet
- Requires 85 to 100 psi air pressure, opens 43 degrees
- Air lines and pneumatic regulator included; conduit for load cell cable from junction box to indicator is not included

### Specifications

#### End Load Capacity:

100% full scale at 2,000 lb and 5,000 lb  
80% full scale at 10,000 lb

#### Cable Length:

20 ft (6.1 m)

#### Scale Weldment:

AISI304L, glass bead blasted for even appearance

#### Junction Box:

TuffSeal® JB4SS stainless steel, NEMA Type 4X junction box with signal trim card

#### Welding:

Stitch, consult factory if continuous is required

#### Threaded Eyebolt:

Hole (1/2-20 NF) located in center of deck for easy lifting

#### Warranty (limited):

Weldment: Five-year  
Load cells: Two-year  
All other components: One-year

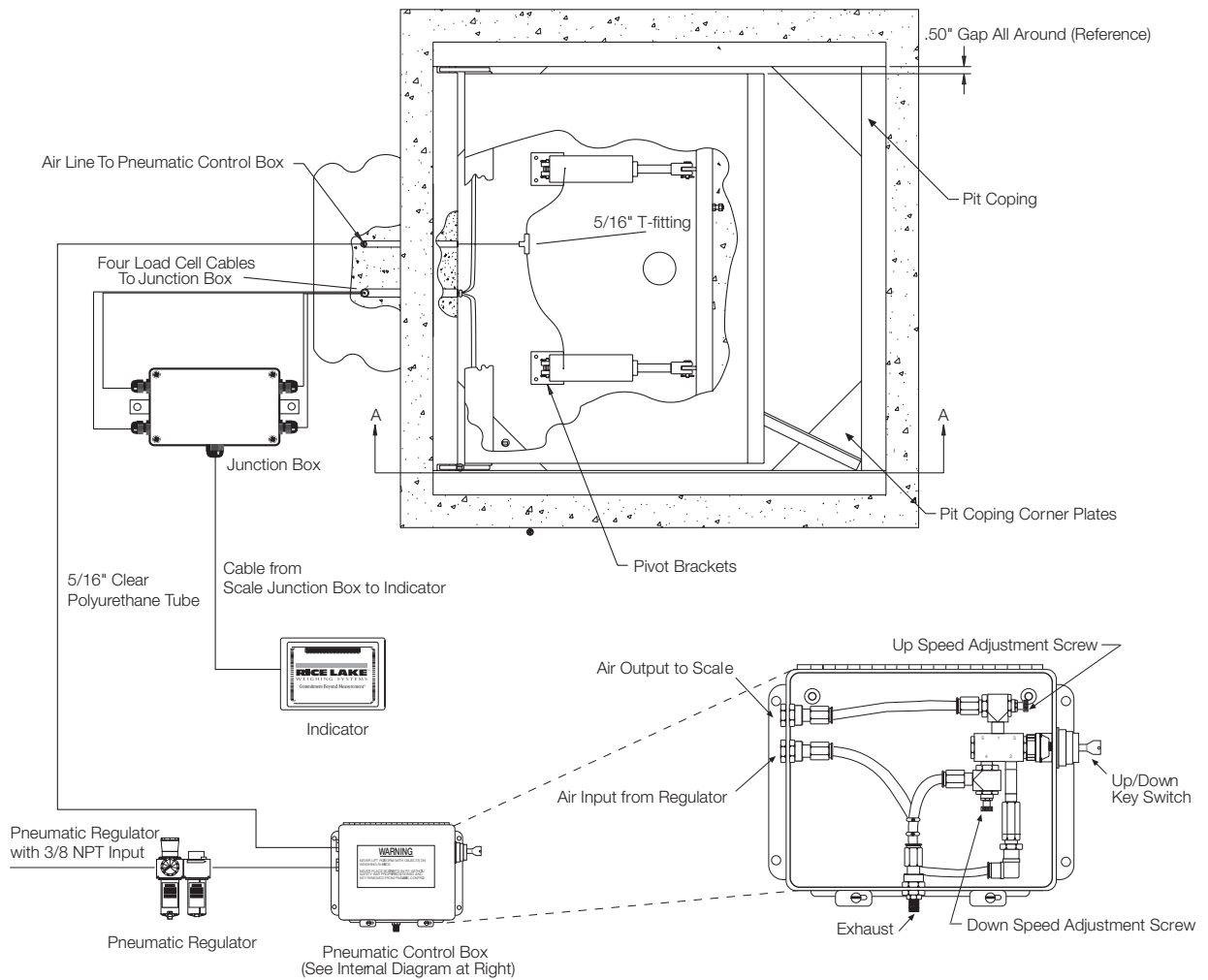
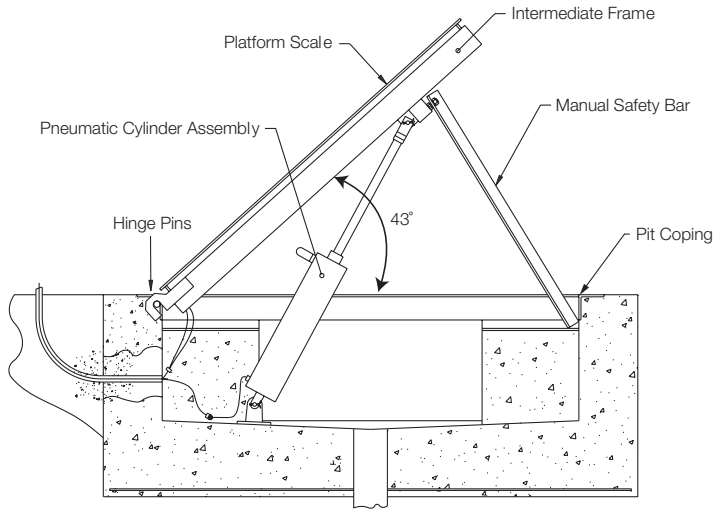
#### Approvals:

NTEP 92-001  
Measurement Canada  
FM

# AutoLift HE

Pit-type, Hostile Environment Stainless Steel Lift Floor Scale

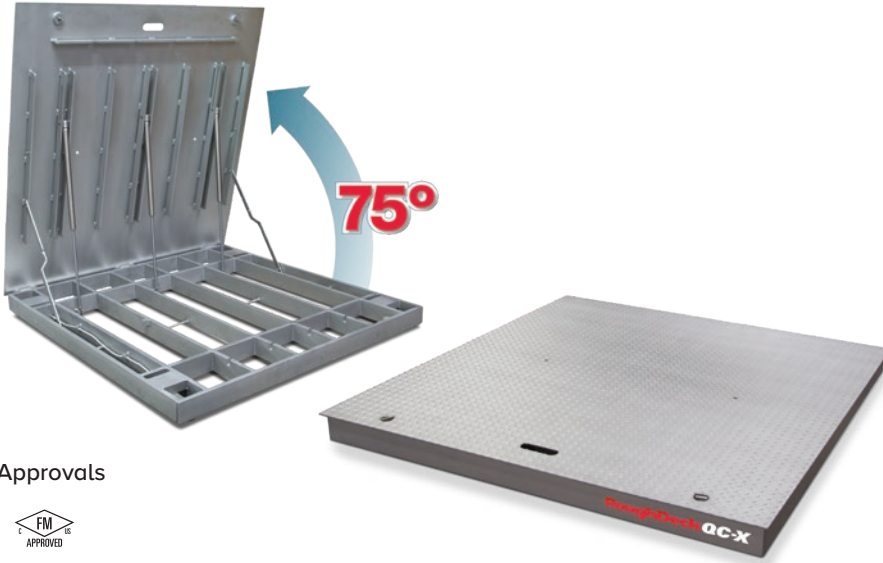
FLOOR SCALES





# RoughDeck® QC-X

Quick Clean Extreme Lift Floor Scale with Solid Plate Base



## Approvals



## Part Number/Price

Part #	Size (W × L × H)	Capacity	Est. Weight	Price
<b>Smooth Top Plate</b>				
175686	4 ft × 4 ft × 4.625 in	5,000 lb (2,500 kg)	650 lb	\$12,895.00
175689	4 ft × 4 ft × 4.625 in	10,000 lb (5,000 kg)	650 lb	\$12,895.00
175694	5 ft × 5 ft × 4.625 in	5,000 lb (2,500 kg)	950 lb	\$17,795.00
175695	5 ft × 5 ft × 4.625 in	10,000 lb (5,000 kg)	950 lb	\$17,795.00
<b>Diamond Tread Top Plate</b>				
175688	4 ft × 4 ft × 4.625 in	5,000 lb (2,500 kg)	650 lb	\$13,775.00
175690	4 ft × 4 ft × 4.625 in	10,000 lb (5,000 kg)	650 lb	\$13,755.00
175696	5 ft × 5 ft × 4.625 in	5,000 lb (2,500 kg)	950 lb	\$19,170.00
175697	5 ft × 5 ft × 4.625 in	10,000 lb (5,000 kg)	950 lb	\$19,170.00

## Options/Accessories

Part #	Description	Price	
28740	Floor stand for indicator, 36.3 in high, stainless steel	\$340.00	
18778	Floor anchor plates, stainless steel (set of two)	\$50.00	
<b>Pit Frames (L × W)</b>			
175691	4 × 4 ft	\$2,435.00	
175698	5 × 5 ft	\$2,635.00	
<b>Ramps (Diamond Treadplate Standard)</b>		<b>Ramp Angle of Incline</b>	
175692	4 ft × 3 ft × 4.625 in, fits hinge/handhole side	7.0°	\$4,395.00
175693	4 ft × 4 ft × 4.625 in, fits hinge/handhole side	5.2°	\$5,035.00
175699	5 ft × 3 ft × 4.625 in, fits hinge/handhole side	7.0°	\$5,035.00
175700	5 ft × 4 ft × 4.625 in, fits hinge/handhole side	5.2°	\$5,585.00
178840	4 ft × 3 ft × 4.625 in, fits side of scale	7.0°	\$4,395.00
178849	4 ft × 4 ft × 4.625 in, fits side of scale	5.2°	\$5,035.00
178850	5 ft × 3 ft × 4.625 in, fits side of scale	7.0°	\$5,035.00
178851	5 ft × 4 ft × 4.625 in, fits side of scale	5.2°	\$5,585.00

## Standard Features

- Rugged washdown design, rigid 304 stainless steel frame constructed with continuous welds
- Meets HACCP requirements
- Manual drop-in-place safety bars
- Four stainless steel, hermetically sealed, IP69K shear beam load cells with 30 ft cables
- 20 ft of SURVIVOR® EL147HE hostile environment cable for connecting junction box to indicator
- Remote junction box can be mounted up to 15 ft away
- 1/4 in top plate
- Four adjustable stainless steel SUREFOOT™ support feet
- Top plate opens 75 degrees
- Tool-less top plate lock downs
- Top plate available with a smooth deck or diamond treadplate
- Two 1/2-20 NF threaded eyebolt holes for lifting scale into pit frame

## Specifications

### End Load Capacity:

- 100% full scale at 5,000 lb
- 80% full scale at 10,000 lb

### Cable Length:

- 20 ft (6.1 m) for connecting junction box to indicator

### Scale Weldment:

- AISI304L, glass bead blasted for even appearance

### Junction Box:

- TuffSeal® JB4SS stainless steel, NEMA Type 4X junction box with signal trim card

### Welding:

- Continuous

### Threaded Eyebolt:

- Two 1/2-20 NF threaded eyebolt holes for lifting scale into pit frame

### Warranty (limited):

- Weldment: Five-year
- Load cells: Two-year
- All other components: One-year

### Approvals:

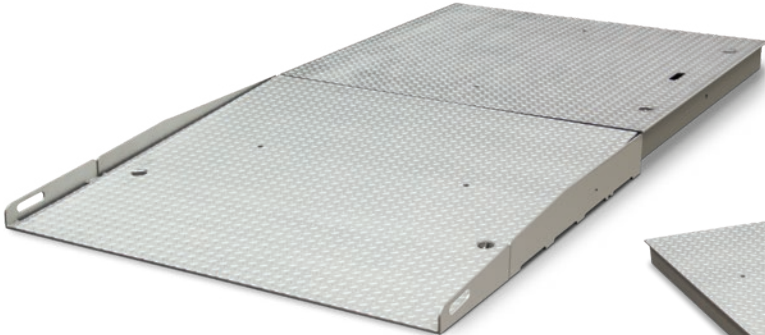
- cFMus

FLOOR SCALES

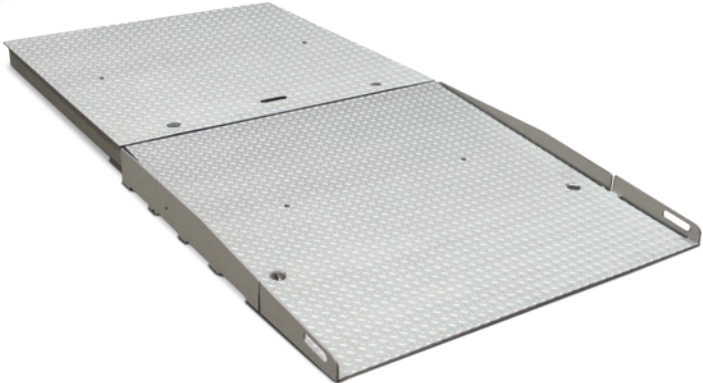
# RoughDeck® QC-X

Quick Clean Extreme Lift Floor Scale with Solid Plate Base

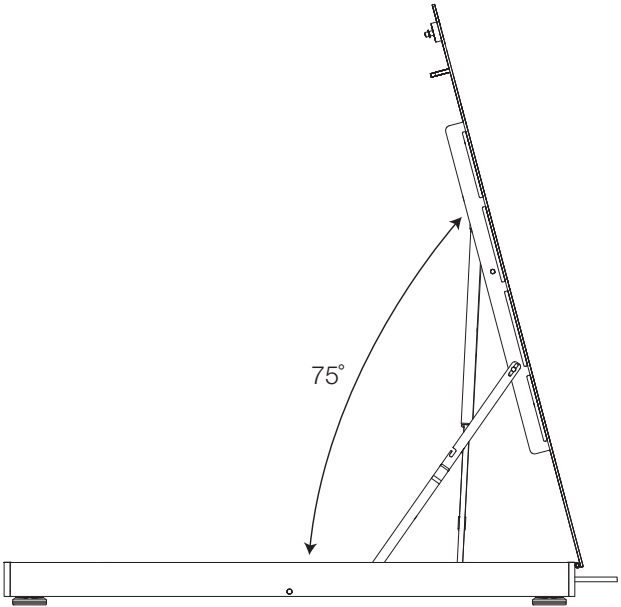
FLOOR SCALES



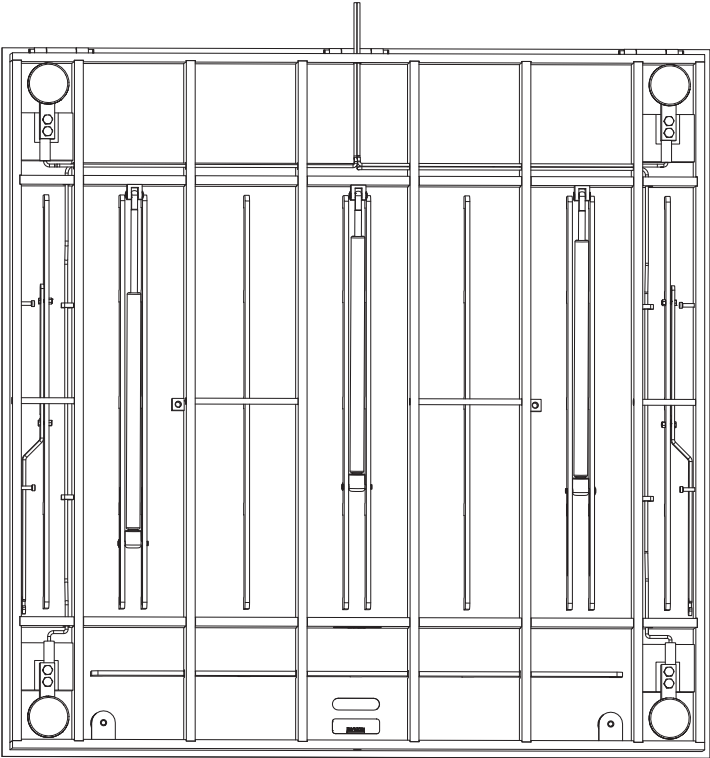
Ramp fits side of scale



Ramp fits hinge/handhole side



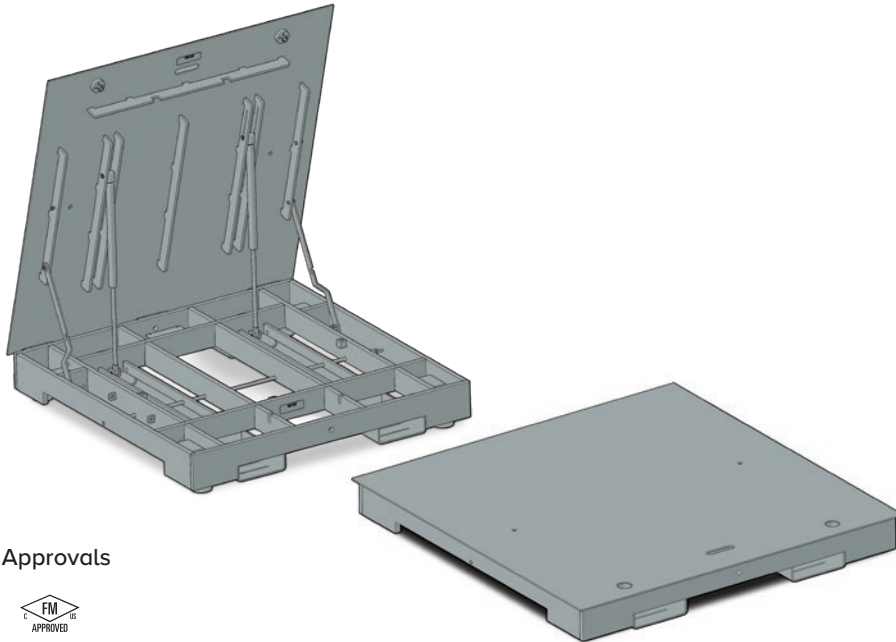
Upright position



Underdeck View

# RoughDeck® QC-XP

Quick Clean Extreme Portable Solid Base Plate Floor Scale



## Approvals



## Part Number/Price

Part #	Size (W × L × H)	Capacity	Price
<b>Smooth Top Plate</b>			
193283	4 ft × 4 ft × 7 in	5,000 lb (2,500 kg)	\$15,895.00
193284	4 ft × 4 ft × 7 in	10,000 lb (5,000 kg)	\$15,895.00
<b>Diamond Tread Top Plate</b>			
193287	4 ft × 4 ft × 7 in	5,000 lb (2,500 kg)	\$16,775.00
193288	4 ft × 4 ft × 7 in	10,000 lb (5,000 kg)	\$16,775.00

## Options/Accessories

Part #	Description	Price
28740	Floor stand for indicator, 36.3 in high, stainless steel	\$340.00
18778	Floor anchor plates, stainless steel (set of two)	\$50.00

## Standard Features

- Designed with forklift pockets, allowing the scale to be portable
- Rugged washdown design, rigid 304 stainless steel frame constructed with continuous welds
- Meets HACCP requirements
- Manual drop-in-place safety bars
- Four stainless steel, hermetically sealed, IP69K shear beam load cells with 30 ft cables
- 20 ft of SURVIVOR® EL147HE hostile environment cable for connecting junction box to indicator
- Internally mounted junction box can be mounted up to 15 ft away
- 1/4 in top plate
- Four adjustable stainless steel SUREFOOT™ support feet
- Top plate opens 75 degrees
- Tool-less top plate lock downs
- Top plate available with a smooth deck or diamond treadplate
- Two 1/2-20 NF threaded eyebolt holes for lifting scale into pit frame

## Specifications

### End Load Capacity:

- 100% full scale at 5,000 lb
- 80% full scale at 10,000 lb

### Cable Length:

- 20 ft (6.1 m) for connecting junction box to indicator

### Scale Weldment:

- AISI304L, glass bead blasted for even appearance

### Junction Box:

- TuffSeal® JB4SS stainless steel, NEMA Type 4X junction box with signal trim card

### Welding:

- Continuous

### Threaded Eyebolt:

- Two 1/2-20 NF threaded eyebolt holes for lifting scale into pit frame

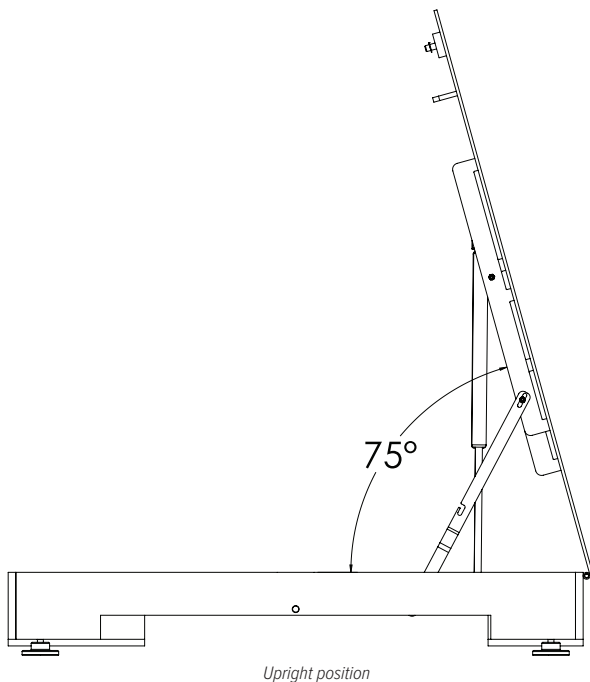
### Warranty (limited):

- Weldment: Five-year
- Load cells: Two-year
- All other components: One-year

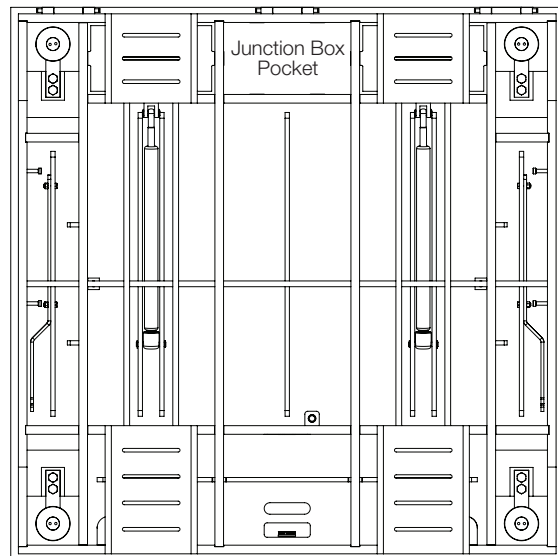
### Approvals:

- cFMus

Forklift pocket dimensions are 2.25 in tall x 7.50 in wide



Upright position



Underdeck View

# RoughDeck® QC

Quick Clean Stainless Steel Lift Floor Scale



FLOOR SCALES

## Approvals



Standard RoughDeck QC is not designed for fork truck traffic or point loading. Please consult factory for pricing on RoughDeck QC special if your application involves either.

## Part Number/Price

Part #	Size (W × L × H)	Capacity	Est. Weight	Price
50402	2.5 ft × 2.5 ft × 3.5 in	2,000 lb (1,000 kg)	158 lb	\$6,940.00
50403	3 ft × 3 ft × 3.5 in	2,000 lb (1,000 kg)	208 lb	\$7,435.00
50404	4 ft × 4 ft × 3.5 in	2,000 lb (1,000 kg)	338 lb	\$8,155.00
50405	4 ft × 4 ft × 3.5 in	5,000 lb (2,500 kg)	338 lb	\$8,155.00
50406	4 ft × 4 ft × 4.5 in	10,000 lb (5,000 kg)	447 lb	\$8,975.00
50407	4 ft × 5 ft × 3.5 in	2,000 lb (1,000 kg)	406 lb	\$9,760.00
50408	4 ft × 5 ft × 4.5 in	5,000 lb (2,500 kg)	406 lb	\$9,760.00
50409	4 ft × 5 ft × 4.5 in	10,000 lb (5,000 kg)	540 lb	\$12,490.00
50410	4 ft × 6 ft × 4.5 in	2,000 lb (1,000 kg)	477 lb	\$12,490.00
50411	4 ft × 6 ft × 4.5 in	5,000 lb (2,500 kg)	477 lb	\$12,490.00
50412	4 ft × 6 ft × 5.5 in	10,000 lb (5,000 kg)	637 lb	\$14,055.00
50413	5 ft × 5 ft × 4.5 in	2,000 lb (1,000 kg)	478 lb	\$13,230.00
50414	5 ft × 5 ft × 4.5 in	5,000 lb (2,500 kg)	478 lb	\$13,230.00
50415	5 ft × 5 ft × 4.5 in	10,000 lb (5,000 kg)	637 lb	\$16,145.00
50416	5 ft × 7 ft × 5.5 in	2,000 lb (1,000 kg)	705 lb	\$19,475.00
50417	5 ft × 7 ft × 5.5 in	5,000 lb (2,500 kg)	705 lb	\$19,475.00
50418	5 ft × 7 ft × 5.5 in	10,000 lb (5,000 kg)	908 lb	\$20,685.00

## Options/Accessories

Part #	Description	Price
28740	Floor stand for indicator, 36.3 in high, stainless steel	\$340.00
Consult	RoughDeck QC ramps available	See catalog page 371
Consult	RoughDeck QC pit frames available	See catalog page 371
Consult	Stainless steel diamond treadplate safety deck	Consult
18778	Floor anchor plates, stainless steel (set of two)	\$50.00

## Standard Features

- Rugged washdown design
- Smooth, 304 stainless steel top deck
- Rigid 304 stainless steel tube frame
- Meets HACCP requirements
- Manual drop-in-place safety bar
- Four stainless steel, hermetically sealed, IP69K shear beam load cells
- 20 ft of SURVIVOR® EL147HE hostile environment load cell cable
- Remote junction box can be mounted up to 10 ft away from the scale
- 3/16 in thick smooth top plate
- 4 adjustable stainless steel SUREFOOT™ support feet

## Specifications

### End Load Capacity:

- 100% full scale at 2,000 lb and 5,000 lb
- 80% full scale at 10,000 lb

### Cable Length:

- 20 ft (6.1 m) for connecting junction box to indicator

### Scale Weldment:

- AISI304L, glass bead blasted for even appearance

### Junction Box:

- TuffSeal® JB4SS stainless steel, NEMA Type 4X junction box with signal trim card

### Welding:

- Stitch, consult if continuous is required

### Threaded Eyebolt Hole:

- 1/2-20 NF located in center of deck for easy lifting

### Warranty (limited):

- Weldment: Five-year
- Load cells: Two-year
- All other components: One-year

### Approvals:

- NTEP CC 92-001, Class III 5,000 d

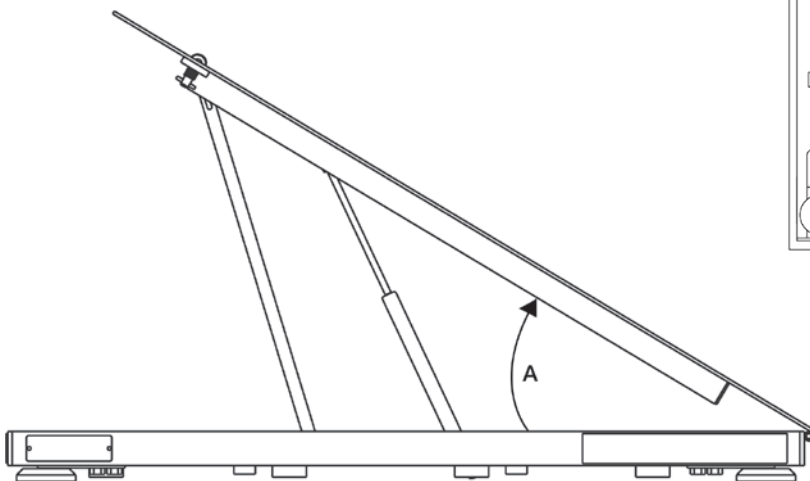
## Part Number/Price

Part #	Size (W × L × H)	Ramp Angle of Incline	Est. Weight	Price
<b>Access Ramps (Diamond Treadplate Standard) (W × L × H)</b>				
69193	2.5 ft × 4.0 ft × 3.5 in (works with PN 50402)	4.0°	152 lb	\$1,685.00
69194	3.0 ft × 4.0 ft × 3.5 in (works with PN 50403)	4.0°	177 lb	\$1,685.00
69195	4.0 ft × 4.0 ft × 3.5 in (works with PN 50404, 50405 and 50407)	4.0°	224 lb	\$2,340.00
69217	4.0 ft × 4.0 ft × 4.5 in (works with PN 50406, 50408, 50410 and 50411)	5.2°	234 lb	\$2,365.00
69218	4.0 ft × 4.0 ft × 4.5 in (works with PN 50409)	5.2°	234 lb	\$2,365.00
69222	4.0 ft × 5.0 ft × 5.5 in (works with PN 50412)	5.1°	330 lb	\$3,055.00
69219	5.0 ft × 4.0 ft × 4.5 in (works with PN 50413 and 50414)	5.2°	272 lb	\$2,880.00
69220	5.0 ft × 4.0 ft × 4.5 in (works with PN 50415)	5.2°	272 lb	\$2,880.00
69223	5.0 ft × 5.0 ft × 5.5 in (works with PN 50416, 50417 and 50418)	5.1°	380 lb	\$3,775.00
<b>Pit Frames (W × L × H)</b>				
64768	2.5 ft × 2.5 ft × 4 in (works with PN 50402)	-	89 lb	\$1,310.00
64769	3.0 ft × 3.0 ft × 4 in (works with PN 50403)	-	102 lb	\$1,310.00
64770	4.0 ft × 4.0 ft × 4 in (works with PN 50404 and 50405)	-	127 lb	\$1,690.00
64771	4.0 ft × 4.0 ft × 5 in (works with PN 50406)	-	158 lb	\$1,940.00
64772	4.0 ft × 5.0 ft × 4 in (works with PN 50407)	-	140 lb	\$1,940.00
64773	4.0 ft × 5.0 ft × 5 in (works with PN 50408)	-	175 lb	\$2,160.00
64774	4.0 ft × 5.0 ft × 5 in (works with PN 50409)	-	175 lb	\$2,160.00
64775	4.0 ft × 6.0 ft × 5 in (works with PN 50410 and 50411)	-	191 lb	\$2,365.00
64776	4.0 ft × 6.0 ft × 6 in (works with PN 50412)	-	225 lb	\$2,490.00
64777	5.0 ft × 5.0 ft × 5 in (works with PN 50413 and 50414)	-	191 lb	\$2,365.00
64778	5.0 ft × 5.0 ft × 5 in (works with PN 50415)	-	191 lb	\$2,365.00
64779	5.0 ft × 7.0 ft × 6 in (works with PN 50416, 50417 and 50418)	-	270 lb	\$2,790.00

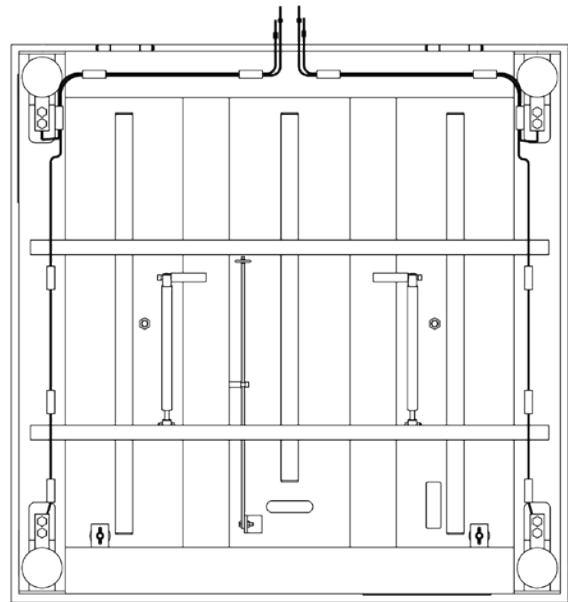
Part numbered ramps are designed to fit scale sides A or C; if you need a ramp to fit scale side B or D, please request a quote for a special ramp

## Dimensions

Scale Size	A
2.5 ft × 2.5 ft	37°
3 ft × 3 ft	30°
4 ft × 4 ft	30°
4 ft × 5 ft	30°
4 ft × 6 ft	26°
5 ft × 5 ft	25°
5 ft × 7 ft	24°



(Upright position)

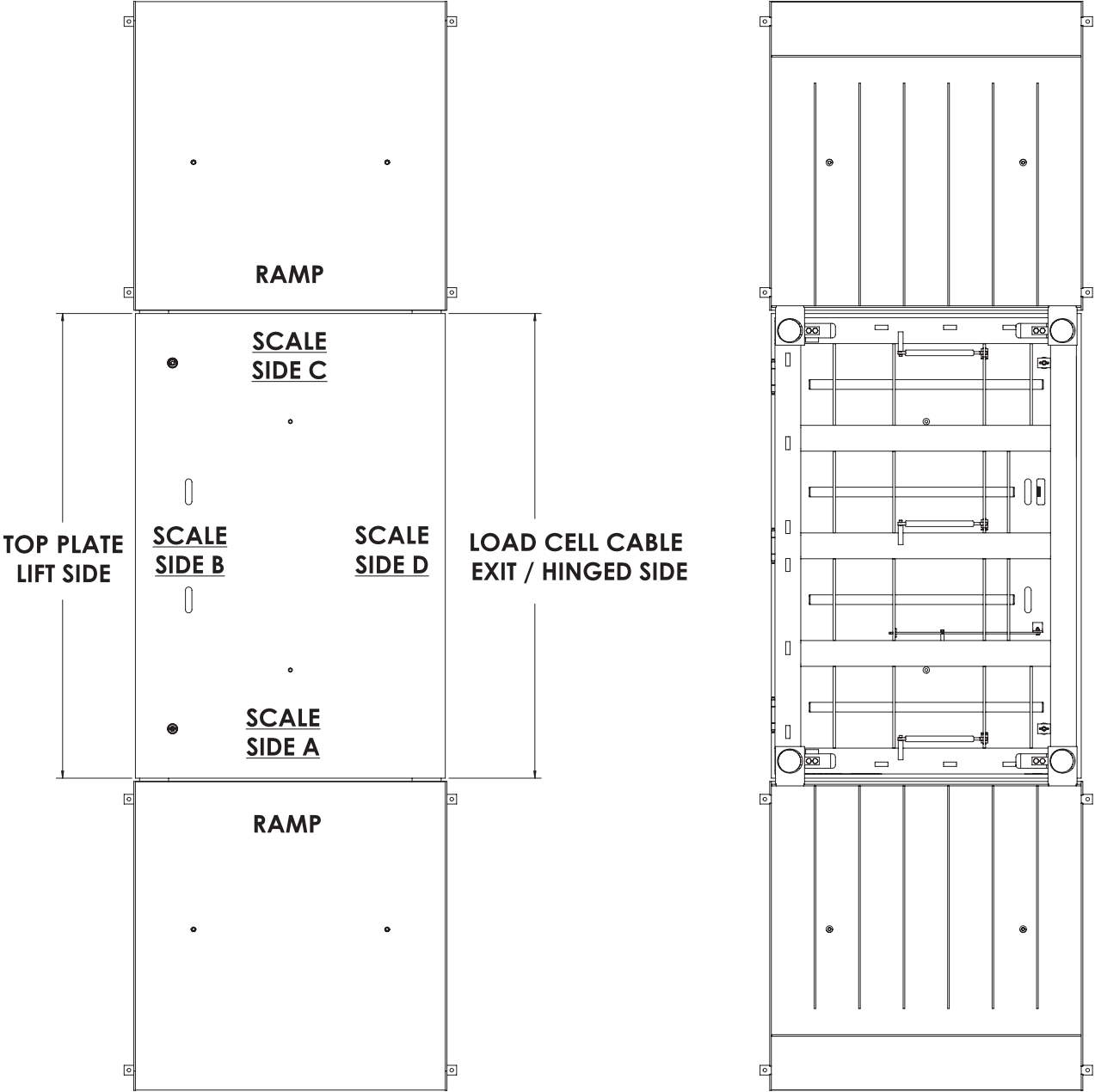


Underdeck View

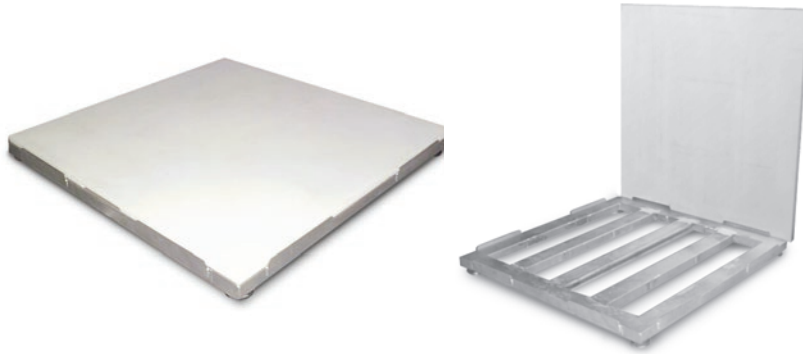
# RoughDeck® QC

Access Ramps and Pit Frames

FLOOR SCALES







## Standard Features

- Rugged washdown design
- 304 stainless steel construction
- Rigid stainless steel tube frame
- Four stainless steel, welded sealed, shear beam load cells
- Load cells protected on all four sides
- 20 ft (6 m) of SURVIVOR® EL147HE hostile environment load cell cable
- Remote junction box can be located up to 10 ft away from scale
- Four adjustable stainless steel SUREFOOT™ support feet
- Removable polyethylene deck (deck weight: 80 lb (36.6 kg) on 4 × 4 ft size)
- Side brackets to hold deck during washdown

## Specifications

### End Load Capacity:

- 100% full scale at 2,000 lb and 5,000 lb
- 80% full scale at 10,000 lb

### Cable Length:

- 20 ft (6.1 m) for connecting junction box to indicator

### Scale Weldment:

- AISI304L, glass bead blasted for even appearance

### Junction Box:

- TuffSeal® JB4SS stainless steel, NEMA Type 4X junction box with signal trim card

### Welding:

- Continuous

### Warranty (limited):

- Weldment: Five-year
- Load cells: Two-year
- All other components: One-year

### Approvals:

- NTEP CC 92-001, Class III 5,000 d

## Approvals



*Important NOTE: Applications where oily substances may be spilled could cause the deck to become slippery—caution should be used.*

## Part Number/Price

Part #	Size (W × L × H)	Capacity	Est. Weight	Price
50385	2.5 ft × 2.5 ft × 4.4 in	2,000 lb	158 lb	\$4,630.00
50386	3 ft × 3 ft × 4.4 in	2,000 lb	208 lb	\$4,760.00
50387	4 ft × 4 ft × 4.4 in	2,000 lb	338 lb	\$4,995.00
50388	4 ft × 4 ft × 4.4 in	5,000 lb	338 lb	\$4,995.00
50389	4 ft × 4 ft × 5.4 in	10,000 lb	447 lb	\$5,245.00
50390	4 ft × 5 ft × 4.4 in	2,000 lb	406 lb	\$5,485.00
50391	4 ft × 5 ft × 5.4 in	5,000 lb	406 lb	\$5,485.00
50392	4 ft × 5 ft × 5.4 in	10,000 lb	540 lb	\$5,725.00
50393	4 ft × 6 ft × 5.4 in	2,000 lb	477 lb	\$5,980.00
50394	4 ft × 6 ft × 5.4 in	5,000 lb	477 lb	\$5,980.00
50395	4 ft × 6 ft × 6.4 in	10,000 lb	637 lb	\$6,580.00
50396*	5 ft × 5 ft × 5.4 in	2,000 lb	478 lb	\$5,980.00
50397*	5 ft × 5 ft × 5.4 in	5,000 lb	478 lb	\$5,980.00
50398*	5 ft × 5 ft × 5.4 in	10,000 lb	637 lb	\$6,580.00
50399*	5 ft × 7 ft × 6.4 in	2,000 lb	705 lb	\$8,280.00
50400*	5 ft × 7 ft × 6.4 in	5,000 lb	705 lb	\$8,280.00
50401*	5 ft × 7 ft × 6.4 in	10,000 lb	908 lb	\$9,370.00

\* Constructed of two pieces of polyethylene to make up the top deck.

## Options/Accessories

Part #	Description	Price
28740	Floor stand for indicator, 36.3 in high, stainless steel	\$340.00
18778	Floor anchor plates, stainless steel (set of 2)	\$50.00

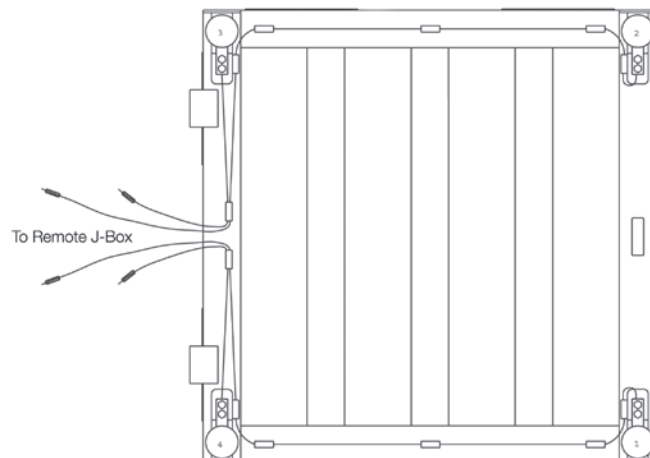
Consult factory for these additional options:

- Access ramps
- Pit frames



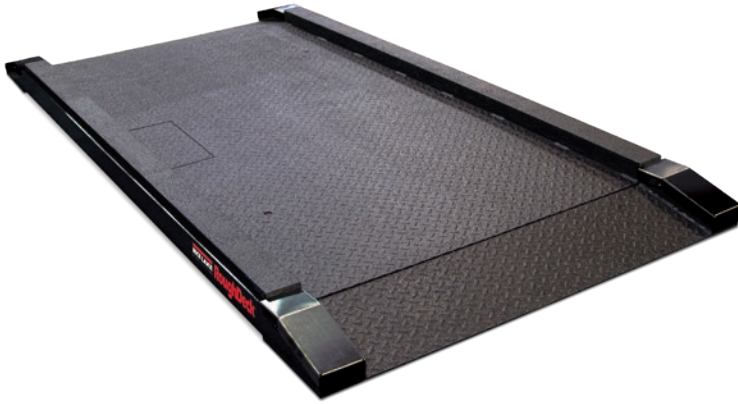
Bracket to hold polyethylene top deck when cleaning under scale

Underdeck View



# RoughDeck® LP

Low Profile Floor Scale



## Standard Features

- Painted mild steel
- Diamond tread scale top plate and ramps
- Live side rails
- Self-centering ball and load receiver plate load introduction
- Top-access junction box
- Four alloy steel, environmentally sealed, single-ended load cells

## Specifications

### End Load Capacity:

100% full scale at 2,000 lb

### Cable Length:

20 ft (6.1 m) for connecting junction box to indicator

### Junction Box:

EL204 signal trim

### Welding:

Stitch, consult factory if continuous is required

### Threaded Eyebolt:

Two holes (1/2-20 NF)

### Weighing Surface Dimensions:

(L × W × H)

72.00 × 36.00 × 1.81 in

### Warranty:

Two-year limited

FLOOR SCALES

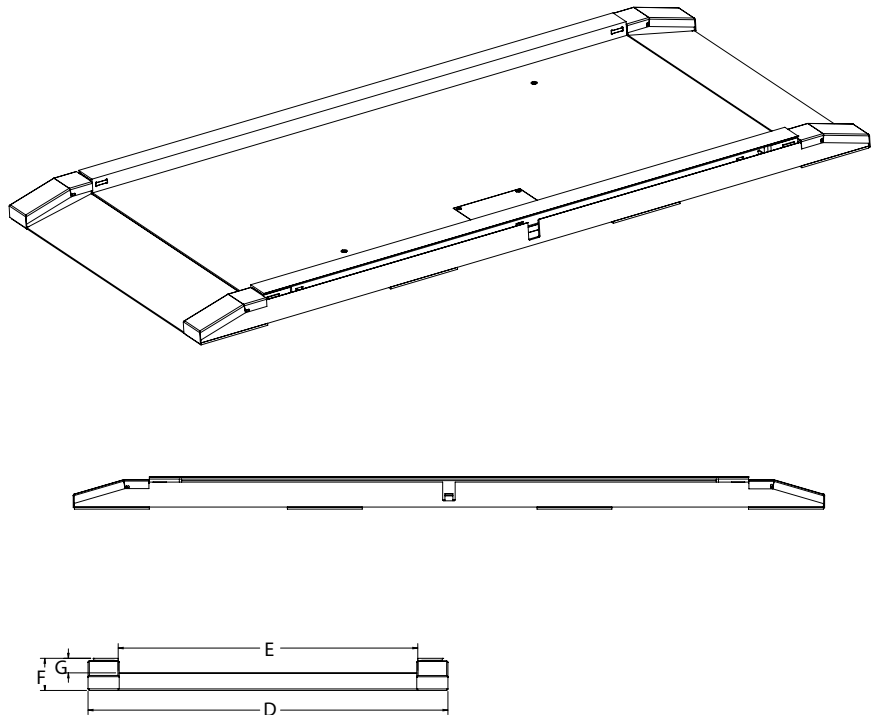
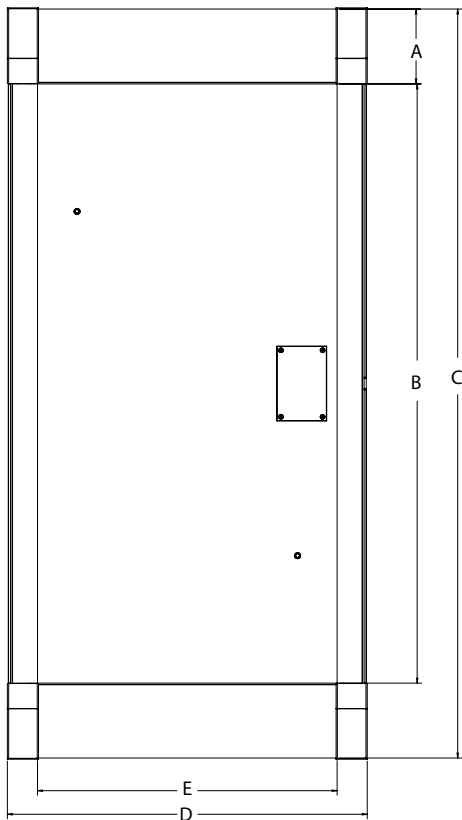
## Part Number/Price

Part #	Size (W × L) Not including Side Rails	Capacity	Ramp Angle of Incline	Est. Weight	Price
204615	36 × 72 in	2,000 × 0.5 lb	12°	565 lb	\$4,395.00

## Dimensions

RoughDeck LP			
A	9.00 in	E	36.00 in
B	72.00 in	F	3.90 in
C	90.25 in	G	1.75 in
D	43.25 in		

Note: 1 in=25.4 mm



# RoughDeck® PW-1 Mild Steel

Low-profile Pallet Weighing Floor Scale



## Approvals



## Part Number/Price

Part #	Size (W × L × H)	Capacity	Est. Weight	Price
177904	48 in × 48 in × 3 in	2,500 lb	200 lb	\$1,830.00
177905	48 in × 60 in × 3 in	2,500 lb	210 lb	\$1,995.00
177906	60 in × 60 in × 3 in	2,500 lb	235 lb	\$2,225.00
177907	48 in × 48 in × 3 in	5,000 lb	200 lb	\$1,830.00
177908	48 in × 60 in × 3 in	5,000 lb	210 lb	\$1,995.00
177909	60 in × 60 in × 3 in	5,000 lb	235 lb	\$2,225.00

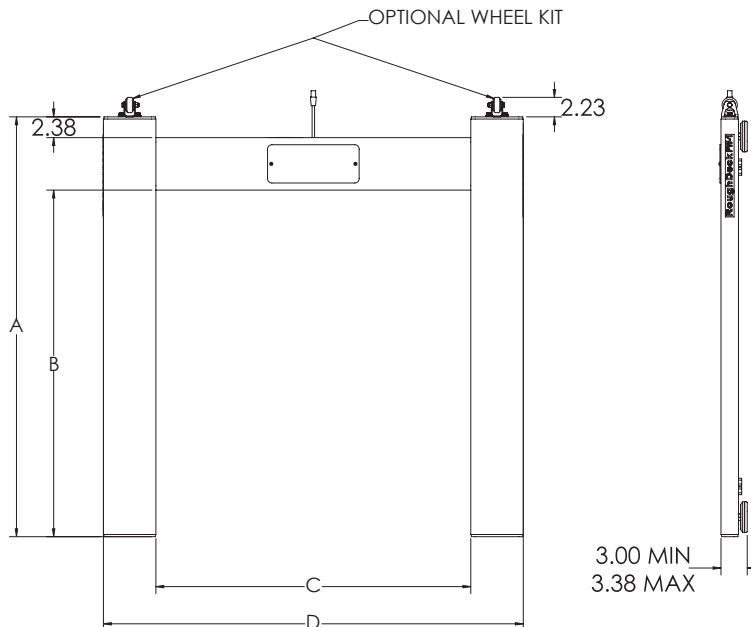
## Options/Accessories

Part #	Description	Price
18777	Floor anchor plates, mild steel (set of 2)	\$38.00
19352	Floor stand for indicator, 36.3 in high, mild steel	\$250.00
126384	Floor stand for indicator, 48 in high, mild steel	\$275.00
178250	Wheel kit option (wheels engage at a 28° angle)	\$105.00
Consult	Mild steel deck with RL32018S IP66 stainless steel cFMus approved load cells and hardware	+\$128.00 list price add-on
Consult	Mild steel deck with RL32218S-HE hermetically sealed IP69K stainless steel cFMus approved load cells and hardware	+\$468.00 list price add-on
Consult	Epoxy paint	+\$150.00 list price add-on

## Dimensions

PW-1 Mild Steel	
<b>4 × 4 ft (160 lb)</b>	
A	48.00 in
B	39.63 in
C	36.00 in
D	48.00 in
<b>4 × 5 ft (170 lb)</b>	
A	48.00 in
B	39.63 in
C	48.00 in
D	60.00 in
<b>5 × 5 ft (195 lb)</b>	
A	60.00 in
B	51.63 in
C	48.00 in
D	60.00 in

Note: 1 in=25.4 mm



## Standard Features

- Low-profile design
- 20 ft SURVIVOR® EL147HE hostile environment load cell cable
- Top-access junction box
- Four adjustable stainless steel SUREFOOT™ support feet
- Four alloy steel, shear beam load cells

## Specifications

### End Load Capacity:

- 80% full scale at 2,500 lb
- 100% full scale at 5,000 lb

### Cable Length:

- 20 ft (6.1 m) for connecting junction box to indicator

### Junction Box:

- TuffSeal® JB4SS stainless steel, NEMA Type 4X junction box with signal trim card

### Welding:

- Stitch, consult factory if continuous is required

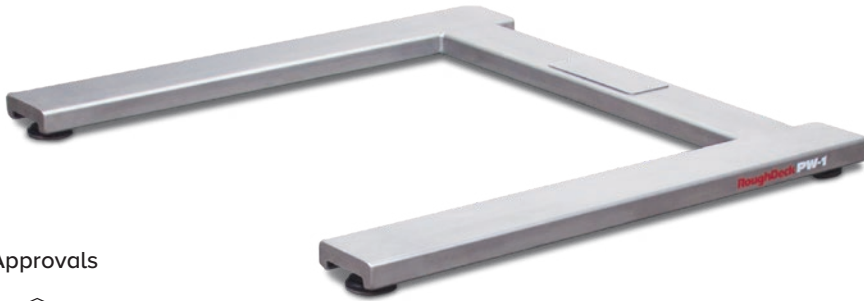
### Warranty (limited):

- Load cells: Two-year
- All other components: One-year

FLOOR SCALES

# RoughDeck® PW-1 Stainless Steel

Low-profile Pallet Weighing Floor Scale



## Approvals



## Part Number/Price

Part #	Size (W × L × H)	Capacity	Est. Weight	Price
177910	48 in × 48 in × 3 in	2,500 lb	200 lb	\$3,860.00
177911	48 in × 60 in × 3 in	2,500 lb	210 lb	\$4,080.00
177912	60 in × 60 in × 3 in	2,500 lb	235 lb	\$4,300.00
177913	48 in × 48 in × 3 in	5,000 lb	200 lb	\$3,860.00
177914	48 in × 60 in × 3 in	5,000 lb	210 lb	\$4,080.00
177915	60 in × 60 in × 3 in	5,000 lb	235 lb	\$4,300.00

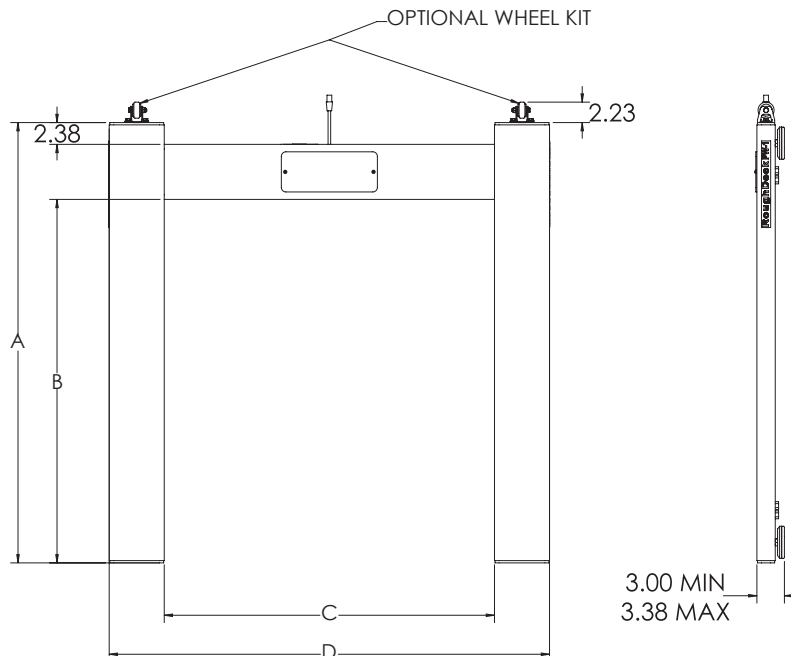
## Options/Accessories

Part #	Description	Price
18778	Floor anchor plates, stainless steel (set of 2)	\$50.00
28740	Floor stand for indicator, 36.3 in high, stainless steel	\$340.00
178250	Wheel kit option (wheels engage at a 28° angle)	\$105.00
Consult	Stainless steel deck with RL32218S-HE hermetically sealed IP69K stainless steel cMus approved load cells and hardware	+\$340.00 list price add-on

## Dimensions

PW-1 Stainless Steel	
<b>4 × 4 ft (160 lb)</b>	
A	48.00 in
B	39.63 in
C	36.00 in
D	48.00 in
<b>4 × 5 ft (170 lb)</b>	
A	48.00 in
B	39.63 in
C	48.00 in
D	60.00 in
<b>5 × 5 ft (195 lb)</b>	
A	60.00 in
B	51.63 in
C	48.00 in
D	60.00 in

Note: 1 in=25.4 mm



## Standard Features

- Low-profile design
- 20 ft SURVIVOR® EL147HE hostile environment load cell cable
- Top-access junction box
- Four adjustable, stainless steel SUREFOOT™ support feet
- Four stainless steel, IP66 shear beam load cells

## Specifications

### End Load Capacity:

- 80% full scale at 2,500 lb
- 100% full scale at 5,000 lb

### Cable Length:

- 20 ft (6.1 m) for connecting junction box to indicator

### Scale Weldment:

- AISI304L, glass bead blasted for even appearance

### Junction Box:

- TuffSeal® JB4SS stainless steel, NEMA Type 4X junction box with signal trim card

### Welding:

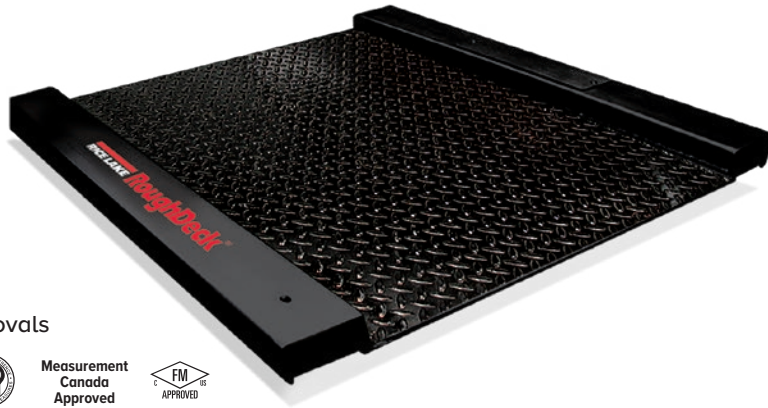
- Stitch, consult factory if continuous is required

### Warranty (limited):

- Load cells: Two -year
- All other components: One -year

# RoughDeck® BDP Mild Steel

Barrel, Drum, Pallet Scale – Stationary Model



## Approvals



Measurement  
Canada  
Approved



## Part Number/Price

Part #	Size (W × L) Not Including Side Rails	Capacity (Canadian Approved Capacities)	Est. Weight	Price
77962	30 × 31 in	1,000 lb (500 kg)	205 lb	\$2,135.00
77963	30 × 31 in	2,500 lb (1,000 kg)	205 lb	\$2,135.00
77964	36 × 37 in	1,000 lb (500 kg)	265 lb	\$2,285.00
77965	36 × 37 in	2,500 lb (1,000 kg)	265 lb	\$2,285.00
Part #	Size (W × L)	Ramp Angle of Incline	Est. Weight	Price
Access Ramps				
78011	30 × 12 in (sold individually)	7.2°	25 lb	\$265.00
78012	36 × 12 in (sold individually)	7.2°	30 lb	\$265.00

## Options/Accessories

Part #	Description	Price
18777	Floor anchor plates, mild steel, set of 2 (for use with static scale, without ramps)	\$38.00
19352	Floor stand for indicator, 36.3 in high, mild steel (for use with static scale)	\$250.00
126384	Floor stand for indicator, 48 in high, mild steel	\$275.00
Consult	Mild steel deck with RL32018S IP66 stainless steel (cFMus approved) load cells and hardware	+\$128.00 list price add-on
Consult	Mild steel deck with RL32218S-HE hermetically sealed IP69K stainless steel cFMus approved load cells and hardware	+\$468.00 list price add-on
214612	Back stop and mounting hardware for 30" wide scale	\$195.00
214613	Back stop and mounting hardware for 36" wide scale	\$195.00

## Standard Features

- Live siderails
- Top-access foot adjustment holes
- Four adjustable stainless steel SUREFOOT™ support feet
- Diamond tread top plate
- Alloy steel load cells

## Specifications

### End Load Capacity:

- 1,000 lb: 100% full scale
- 2,500 lb: 80% full scale

### Cable Length:

10 ft (3 m)

### Junction Box:

TuffSeal® JB4SS stainless steel, NEMA Type 4X junction box with signal trim card

### Welding:

Stitch

### Threaded Eyebolt:

Hole (1/2-13 NC) located in center of deck for easy lifting

### Warranty (limited):

Weldment: Five-year  
Load cells: Two-year  
All other components: One-year

### Approvals:

NTEP 03-060, Class III 2,500 d  
Measurement Canada AM-5578  
(500 kg) Class III 2,500 d  
(1,000 kg) Class III 2,000 d



Scale shown with bumper guard

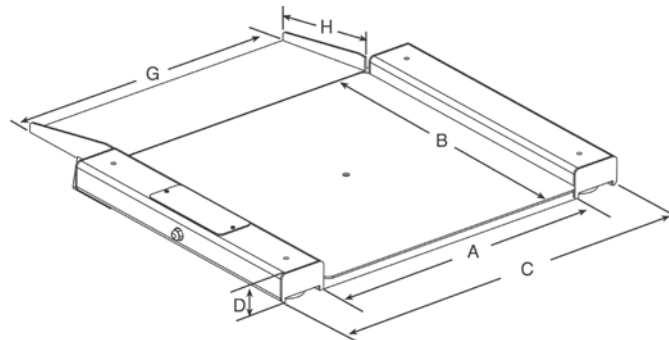
## Dimensions

RoughDeck BDP mild steel with access ramp			
30 × 31 in models			
A	30.0 in	D	3.31 in
B	31.0 in	G	30.0 in
C	40.0 in	H	12.0 in
36 × 37 in models			
A	36.0 in	D	3.31 in
B	37.0 in	G	36.0 in
C	46.0 in	H	12.0 in

Distance from floor to top of center weighing surface: 1.625 in

Distance from floor to bottom of weighing surface: 0.31 in

Note: 1 in=25.4 mm



FLOOR SCALES



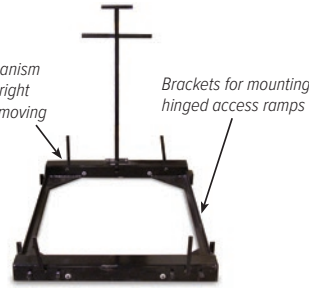
# RoughDeck® BDP Mild Steel

Barrel, Drum, Pallet Scale – Portable Model



Scale shown with optional portability kit

Lifting mechanism shown in upright position for moving



Brackets for mounting hinged access ramps

Portability kit

## Standard Features

- Live side rails
- Top-access foot adjustment holes
- Holes are 1/2-13 threaded for lifting scale
- Four adjustable stainless steel SUREFOOT™ support feet
- Treaded top plate
- Alloy steel load cells

## Specifications

### End Load Capacity:

- 1,000 lb: 100% full scale
- 2,500 lb: 80% full scale

### Cable Length:

10 ft (3 m)

### Junction Box:

TuffSeal® JB4SS stainless steel, NEMA Type 4X junction box with signal trim card

### Welding:

Stitch

### Threaded Eyebolt:

Hole (1/2-13 NC) located in center of deck for easy lifting

### Warranty (limited):

Weldment: Five-year  
Load cells: Two-year  
All other components: One-year

### Approvals:

NTEP CC 03-060, Class III 2,500 d  
Measurement Canada AM-5578 (500 kg) Class III 2,500 d (1,000 kg) Class III 2,000 d

## Dimensions

### RoughDeck BDP mild steel with portability frame & hinged access ramps

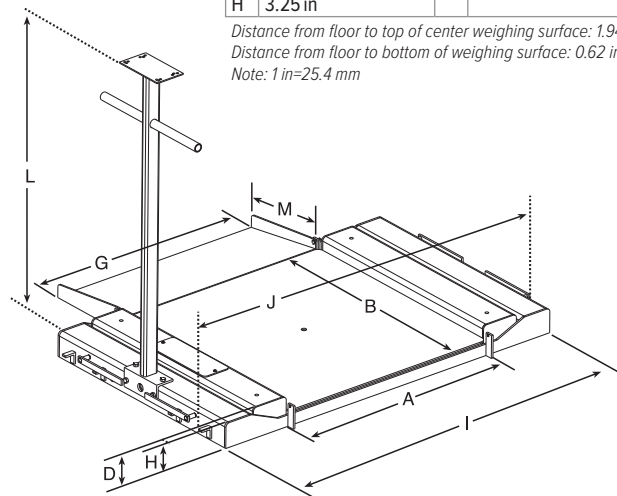
#### 30 × 31 in models

A	30.00 in	I	49.25 in
B	31.00 in	J	52.25 in
D	3.66 in	L	40.37 in
G	29.25 in	M	12.00 in
H	3.25 in		

#### 36 × 37 in models

A	36.00 in	I	55.25 in
B	37.00 in	J	58.25 in
D	3.66 in	L	40.37 in
G	35.25 in	M	12.00 in
H	3.25 in		

Distance from floor to top of center weighing surface: 1.94 in.  
Distance from floor to bottom of weighing surface: 0.62 in  
Note: 1 in=25.4 mm



## Approvals



Measurement Canada Approved



## Part Number/Price

Part #	Size (W × LW) Not Including Side Rails	Capacity (Canadian Approved Capacities)	Est. Weight	Price
77962	30 × 31 in	1,000 lb (500 kg)	205 lb	\$2,135.00
77963	30 × 31 in	2,500 lb (1,000 kg)	205 lb	\$2,135.00
77964	36 × 37 in	1,000 lb (500 kg)	265 lb	\$2,285.00
77965	37 × 37 in	2,500 lb (1,000 kg)	265 lb	\$2,285.00

### Portability Kits

Kits Include: Frame, two swivel and two fixed zinc plated steel NSF approved wheels (75lb max. load capacity), indicator stand

78021	For use with 30 × 31 in scale	90 lb	\$1,115.00
78022	For use with 36 × 37 in scale	100 lb	\$1,190.00

### RoughDeck BDP Portability Kit with conductive wheels for use with 882IS

199102	30 × 31 in	25 lb	\$1,615.00
199103	36 × 37 in	30 lb	\$1,690.00

### Hinged Access Ramps: For use with portability kit

Part #	Size (W × L)	Ramp Angle of Incline	Es. Weight	Price
78015	29.25 × 12 in (sold individually)	8.7°	25 lb	\$265.00
78016	35.25 × 12 in (sold individually)	8.7°	30 lb	\$265.00

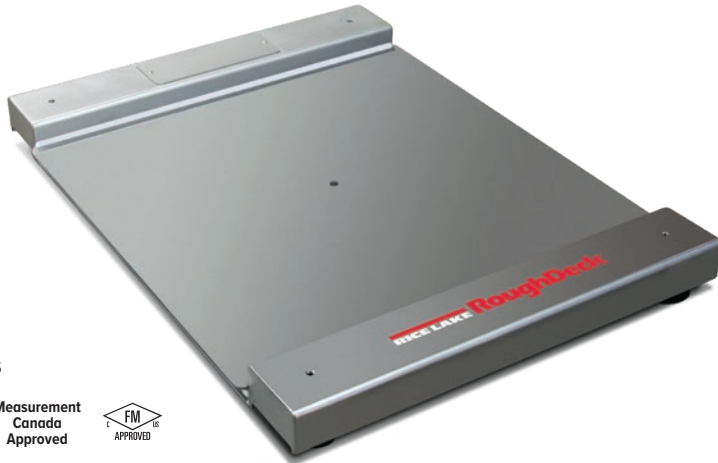
## Options/Accessories

Part #	Description	Price
Consult	Mild steel deck with RL32018S IP66 stainless steel cFMus approved load cells and hardware	+\$128.00 list price add-on
Consult	Mild steel deck with RL32218S-HE hermetically sealed IP69K stainless steel cFMus approved load cells and hardware	+\$468.00 list price add-on
214612	Back stop and mounting hardware for 30" wide scale	\$195.00
214613	Back stop and mounting hardware for 36" wide scale	\$195.00



# RoughDeck® BDP Stainless Steel

Barrel, Drum, Pallet Scale - Stationary Model



## Approvals



Measurement  
Canada  
Approved



## Part Number/Price

Part #	Size (W × LW)	Capacity (Canadian Approved Capacities)	Est. Weight	Price
77967	30 × 31 in	1,000 lb (500 kg)	205 lb	\$4,110.00
77968	30 × 31 in	2,500 lb (1,000 kg)	205 lb	\$4,110.00
77969	36 × 37 in	1,000 lb (500 kg)	265 lb	\$4,230.00
77970	36 × 37 in	2,500 lb (1,000 kg)	265 lb	\$4,230.00
Part #	Size (W × LW)	Ramp Angle of Incline	Est. Weight	Price
Access Ramps				
78013	30 × 12 in (sold individually)	7.2°	25 lb	\$352.00
78014	36 × 12 in (sold individually)	7.2°	30 lb	\$352.00

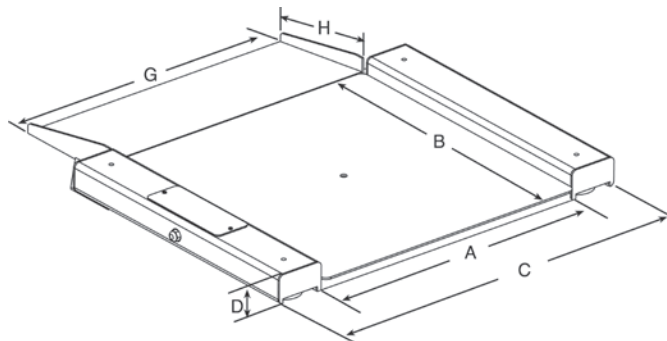
## Options/Accessories

Part #	Description	Price
18778	Floor anchor plates, stainless steel, set of 2 (for use with static scale, without ramps)	\$50.00
28740	Floor stand for indicator, 36.3 in high, stainless steel (for use with static scale)	\$340.00
Consult	Stainless steel deck with RL32218S-HE hermetically sealed IP69K stainless steel (cFMus approved) load cells and hardware	+\$340.00 list price add-on
Consult	Stainless steel diamond treadplate safety deck	Consult
214614	Back stop and mounting hardware for 30" wide scale	\$295.00
214615	Back stop and mounting hardware for 36" wide scale	\$295.00

## Dimensions

RoughDeck BDP stainless steel with access ramp			
30 × 31 in models			
A	30.0 in	D	3.31 in
B	31.0 in	G	30.0 in
C	40.0 in	H	12.0 in
36 × 37 in models			
A	36.0 in	D	3.31 in
B	37.0 in	G	36.0 in
C	46.0 in	H	12.0 in

Distance from floor to top of center weighing surface: 1625 in  
Distance from floor to bottom of weighing surface: 0.31 in  
Note: 1 in=25.4 mm



Scale shown with bumper guard

## Standard Features

- Live siderails
- Top-access foot adjustment holes
- Four adjustable stainless steel SUREFOOT™ support feet
- Smooth top plate
- Stainless steel, IP66 load cells

## Specifications

### End Load Capacity:

1,000 lb: 100% full scale  
2,500 lb: 80% full scale

### Cable Length:

10 ft (3 m)

### Scale Weldment:

AISI304L, glass bead blasted for even appearance

### Junction Box:

TuffSeal® JB4SS stainless steel, NEMA Type 4X junction box with signal trim card

### Welding:

Stitch, consult factory if continuous is required

### Threaded Eyebolt:

Holes are 1/2-13 threaded for lifting scale

### Warranty (limited):

Weldment: Five-year  
Load cells: Two-year  
All other components: One-year

### Approvals:

NTEP CC 03-060, Class III 2,500 d  
Measurement Canada AM-5578  
(500 kg) Class III 2,500 d  
(1,000 kg) Class III 2,000 d

FLOOR SCALES

# RoughDeck® BDP Stainless Steel

Barrel, Drum, Pallet Scale – Portable Model



Scale shown with optional portability kit, optional ramps and optional indicator

## Approvals



Measurement  
Canada  
Approved



## Part Number/Price

Part #	Size (W × LW) Not Including Siderails	Capacity (Canadian Approved Capacities)	Est. Weight	Price
77967	30 × 31 in	1,000 lb (500 kg)	205 lb	\$4,110.00
77968	30 × 31 in	2,500 lb (1,000 kg)	205 lb	\$4,110.00
77969	36 × 37 in	1,000 lb (500 kg)	265 lb	\$4,230.00
77970	36 × 37 in	2,500 lb (1,000 kg)	265 lb	\$4,230.00
Part #	Size (W × L)	Ramp Angle of Incline	Est. Weight	Price
<b>Kits Include: Frame, two swivel and two fixed zinc plated steel NSF approved wheels (75 lb max. load capacity), indicator stand</b>				
78023	For use with 30 × 31 in scale		90 lb	\$1,575.00
78024	For use with 36 × 37 in scale		100 lb	\$1,650.00
<b>RoughDeck BDP Portability Kit, with conductive wheels for use with 882IS</b>				
199100	30 × 31 in		25 lb	\$2,275.00
199101	36 × 37 in		30 lb	\$2,350.00
Part #	Size (W × L)	Ramp Angle of Incline	Est. Weight	Price
<b>Hinged access ramps: For use with portability kit (diamond plate)</b>				
78017	29.25 × 12 in (sold individually)	8.7°	25 lb	\$352.00
78018	35.25 × 12 in (sold individually)	8.7°	30 lb	\$352.00

## Options/Accessories

Part #	Description	Price
Consult	Stainless steel deck with RL32218S-HE hermetically sealed IP69K stainless steel (cFMus approved) load cells and hardware	+\$340.00 list price add-on
Consult	Stainless steel diamond treadplate safety deck	Consult
214614	Back stop and mounting hardware for 30" wide scale	\$295.00
214615	Back stop and mounting hardware for 36" wide scale	\$295.00

## Standard Features

- Live side rails
- Top-access foot adjustment holes
- Four adjustable stainless steel SUREFOOT™ support feet
- Smooth top plate
- IP66 stainless steel, welded-seal load cells

## Specifications

### End Load Capacity:

- 1,000 lb: 100% full scale
- 2,500 lb: 80% full scale

### Cable Length:

10 ft (3 m)

### Junction Box:

TuffSeal® JB4SS stainless steel, NEMA Type 4X junction box with signal trim card

### Welding:

Stitch, consult factory if continuous is required

### Threaded Eyebolt:

Holes are 1/2-13 threaded for lifting scale

### Warranty (limited):

Weldment: Three-year  
Load cells: Two-year  
All other components: One-year

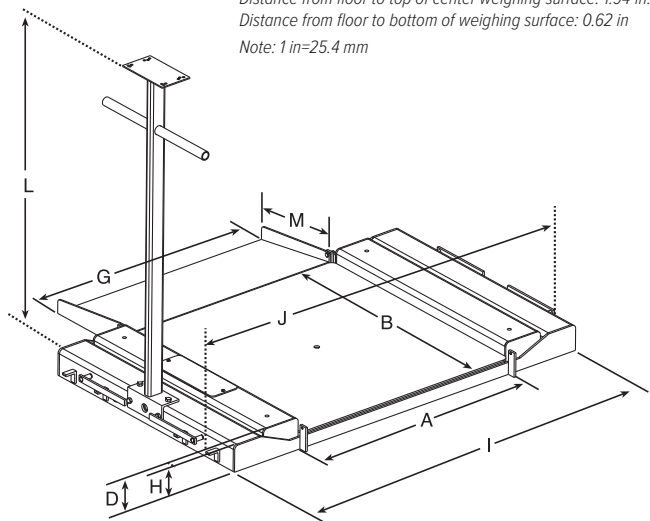
### Approvals:

NTEP CC 03-060, Class III 2,500 d  
Measurement Canada AM-5578  
(500 kg) Class III 2,500 d  
(1,000 kg) Class III 2,000 d

## Dimensions

RoughDeck BDP stainless steel with portability frame and hinged access ramps			
30 × 31 in models			
A	30.0 in	I	49.25 in
B	31.0 in	J	52.25 in
D	3.66 in	L	40.37 in
G	29.25 in	M	12.0 in
H	3.25 in		
36 × 37 in models			
A	36.0 in	I	55.25 in
B	37.0 in	J	58.25 in
D	3.66 in	L	40.37 in
G	35.25 in	M	12.0 in
H	3.25 in		

Distance from floor to top of center weighing surface: 1.94 in.  
Distance from floor to bottom of weighing surface: 0.62 in  
Note: 1 in=25.4 mm





### Approvals



Measurement  
Canada  
Approved

### Part Number/Price

Part #	Platform Size (W × L)	Overall Size (W × L × H)	Capacity	Est. Weight	Price
<b>Mild Steel</b>					
41293	24.25 × 30.375 in	31 × 41 × 4.5 in	500 lb	336 lb	\$3,095.00
41294	24.25 × 30.375 in	31 × 41 × 4.5 in	1,000 lb	356 lb	\$3,095.00
41295	24.25 × 30.375 in	31 × 41 × 4.5 in	2,000 lb	373 lb	\$3,225.00
<b>Mild Steel, with conductive wheel for use with 882IS</b>					
211285	24.25 × 30.375 in	31 × 41 × 4.5 in	500 lb	336 lb	\$3,695.00
211286	24.25 × 30.375 in	31 × 41 × 4.5 in	1,000 lb	356 lb	\$3,695.00
211287	24.25 × 30.375 in	31 × 41 × 4.5 in	2,000 lb	373 lb	\$3,825.00
<b>Stainless Steel</b>					
41296	24.25 × 30.375 in	31 × 41 × 4.5 in	500 lb	336 lb	\$4,235.00
41297	24.25 × 30.375 in	31 × 41 × 4.5 in	1,000 lb	356 lb	\$4,235.00
41298	24.25 × 30.375 in	31 × 41 × 4.5 in	2,000 lb	373 lb	\$4,475.00

### Options/Accessories

Part #	Description	Ramp Angle of Incline	Price
<b>Mild Steel</b>			
43376	500/1,000 lb mild steel ramp	9°	\$375.00
43378	2,000 lb mild steel ramp	9°	\$435.00
<b>Stainless Steel</b>			
43377	Ramp assembly, 500/1,000 lb, stainless steel, 27 in x 25 in	7.2°	\$885.00
43379	Ramp assembly, 2,000 lb, stainless steel, 27 in x 25 in	7.2°	\$1,005.00
Consult	Smooth top		N/C
<b>Mounting Brackets</b>			
41371	Mounting bracket for 882IS/882IS Plus with battery		\$99.00

### Standard Features

- Mild or stainless steel wheeled frame, base and mast
- Diamond tread top plate, mild or stainless steel
- Large rubber wheels (not rated for IS) simplify movement on uneven floors
- Two IP67 aluminum load cells
- Standard indicator mount with integral handles for the 380/380X Synergy, 480/480 Plus, 482/482 Plus, 880/880 Plus and 680 Synergy

### Specifications

#### End Load Capacity:

100% end loading

#### Cable length:

9 ft 10 in (3 m)

#### mV/V Output:

2 mV/V

#### Weighing Platter:

4.5 in height when in weigh mode

#### Column Height:

59 in

#### Warranty:

Weldment: Five-year

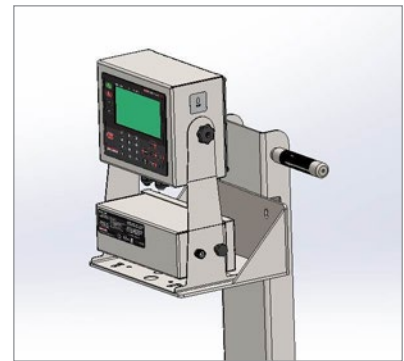
Load cells: Two-year

All other components: One-year

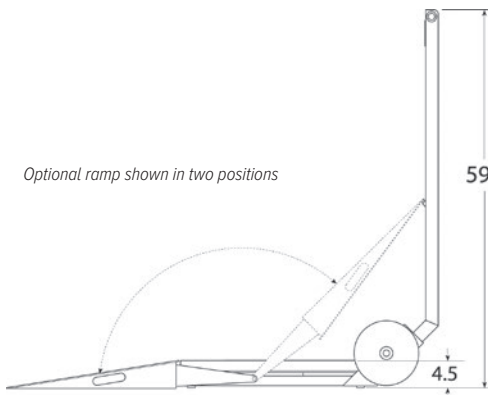
#### Approvals:

NTEP Certified, CC 98-004, Class III, 2,500 d

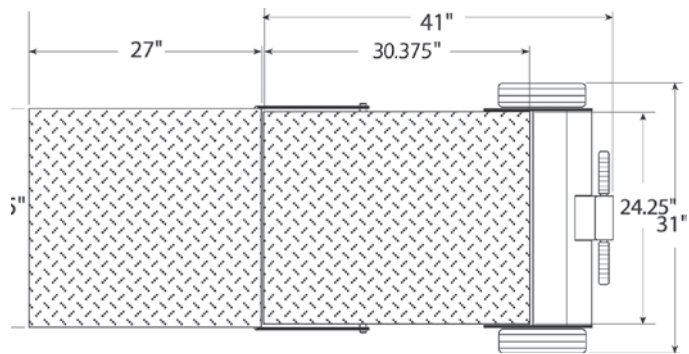
Measurement Canada approved, AM-5218



Mounting bracket for 882IS/882IS Plus with battery



Optional ramp shown in two positions



# RL1200

Portable Beam Scale

FLOOR SCALES



Approvals



## Standard Features

- NTEP Certified
- Cast iron construction
- 1,000 lb or 500 kg capacity models available
- Locking screw knob on poise
- Slotted cast iron counterpoise weights, marked to scale capacity
- Heavy-duty wheels for portability (wheels are not rated for IS environment)
- Weights and hanger
- Nickel plated steel beam with engraved brass insert

## Specifications

### Construction:

Cast-iron platform, base and levers

### Poise:

Steel locking screw provided

### Platform Dimensions:

(L x W) 24 x 18 in

### Capacity:

1,000 lb or 500 kg

### Approvals:

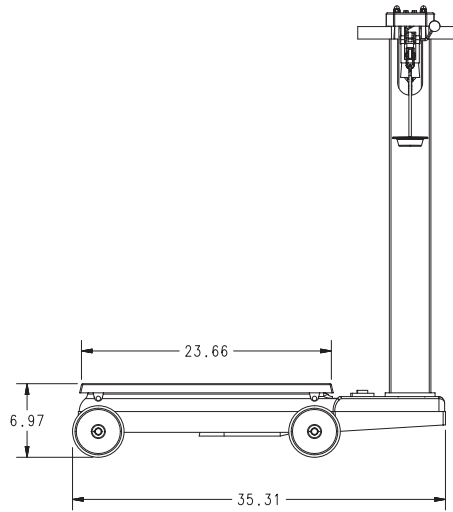
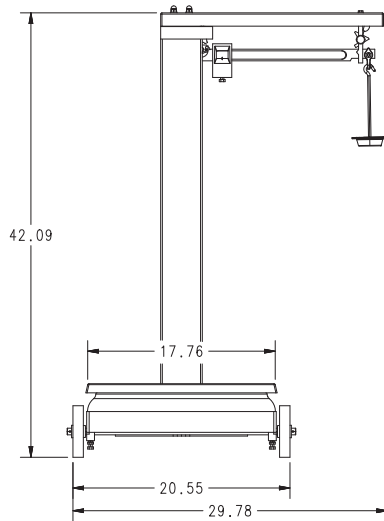
NTEP Certified 93-004 Class III 2,000 d

### Warranty:

One-year limited

## Part Number/Price

Part #	Description	Capacity	Est. Weight	Price
157982	Avoirdupois beam, NTEP Certified	1,000 lb x 0.5 lb	200 lb	\$995.00



# RL1200 EM

Electromechanical Portable Beam Scale and 380 Indicator



## Approvals



## Part Number/Price

Part #	Overall Size (W x L x H)	Capacity	Est. Weight	Price
216112	Portable beam with 380 Synergy	1,000 lb x 0.5 lb	200 lb	\$2,240.00

## Options/Accessories

Part #	Description	Price
206433†	380 indicator external AC adapter	\$54.00

## Standard Features

### Scale

- NTEP Certified
- 1,000 lb capacity
- Heavy-duty wheels and handle for portability

### 380 Indicator

- LCD display
- Alkaline battery powered
- Push-button and keyed tare
- Two communication ports
- Five tactile buttons
- Configurable print formats

## RL1200 EM Specifications

### Construction:

Cast-iron platform, base and levers

### Platform Dimensions:

(L x W)  
24 x 18 in

### Capacity:

1,000 lb

### Approvals:

NTEP 93-004 Class III 2,000d

### Warranty:

One-year limited

## 380 Specifications

### Power:

Batteries: 4 alkaline C-cell (not included)  
Optional: 115/230VAC to 12VDC adapter

### Battery Life:

100 hours with 1 x 350 ohm load cell, no backlight  
45 hours with 4 x 350 ohm load cells, low backlight  
20 hours with 8 x 350 ohm load cells, low backlight

### Communication Ports:

One RS-232 (three-wire)  
One USB 2.0

### Annunciators:

g, lb, t, tn, kg, oz, battery level, PT, LT, gross, zero, unstable, net

### Display:

Six 1 in (25 mm) tall, LCD digits

### Keys/Buttons:

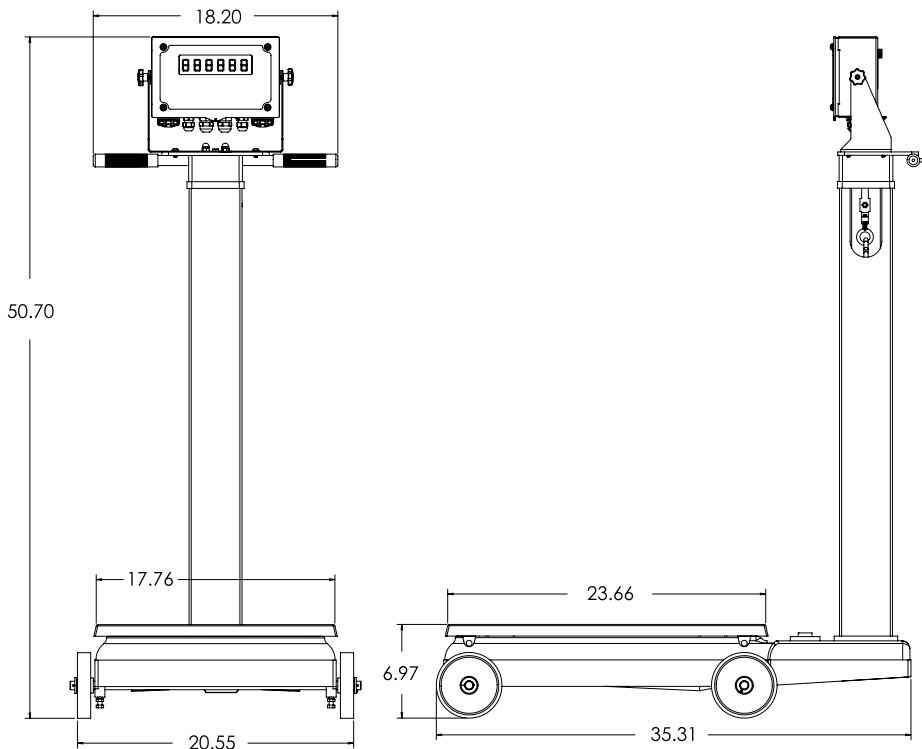
5 tactile buttons

### Rating/Material:

IP66, 304 Stainless steel

### Approvals:

NTEP 21-051, Class III/IIIL, 10,000 d  
Measurement Canada AM-6184  
cULus  
CE marked



FLOOR SCALES

# RL1200 IS

Intrinsically Safe Electromechanical Portable Beam Scale

FLOOR SCALES



Approvals



## Standard Features

### Scale

- NTEP Certified
- 1,000 lb capacity
- Conductive wheels to eliminate static buildup and discharge
- Handle for ease of portability

### Indicator

- Intrinsically safe
- LCD display with white LED backlight
- Power ON/OFF; battery save mode

## Specifications

### Construction:

Cast-iron platform, base and levers

### Platform Dimensions:

(L x W): 24 x 18 in

### Capacity:

1,000 lb

### Approvals:

NTEP 93-004 Class III 2,000d

### Warranty:

One-year limited

## 882IS Specifications

### Power:

Input: 5.8 to 7.9 VDC, 100 to 175 mA

### Battery (optional):

60 hours with 4 x 350 ohm load cells  
80 to 100 hours with  
1 x 350 ohm load cell  
8 to 10 hour charging time

### Annunciators:

Center of zero, gross, net, motion, lb, kg, oz, g

### Display Increments:

1, 2, 5

### Display:

Seven-digit, seven-segment LCD display 121 x 24 dot matrix messaging area with white LED backlight

### Keys/Buttons:

Flat membrane panel, tactile feel

**882IS:** zero, gross/net, tare, print, units conv, start, stop, on/off

**882IS Plus:** zero, gross/net, tare, print, units conv, start, stop, full numeric keypad, on/off

### Rating/Material:

IP66 enclosure  
Stainless steel

### Warranty:

One-year limited

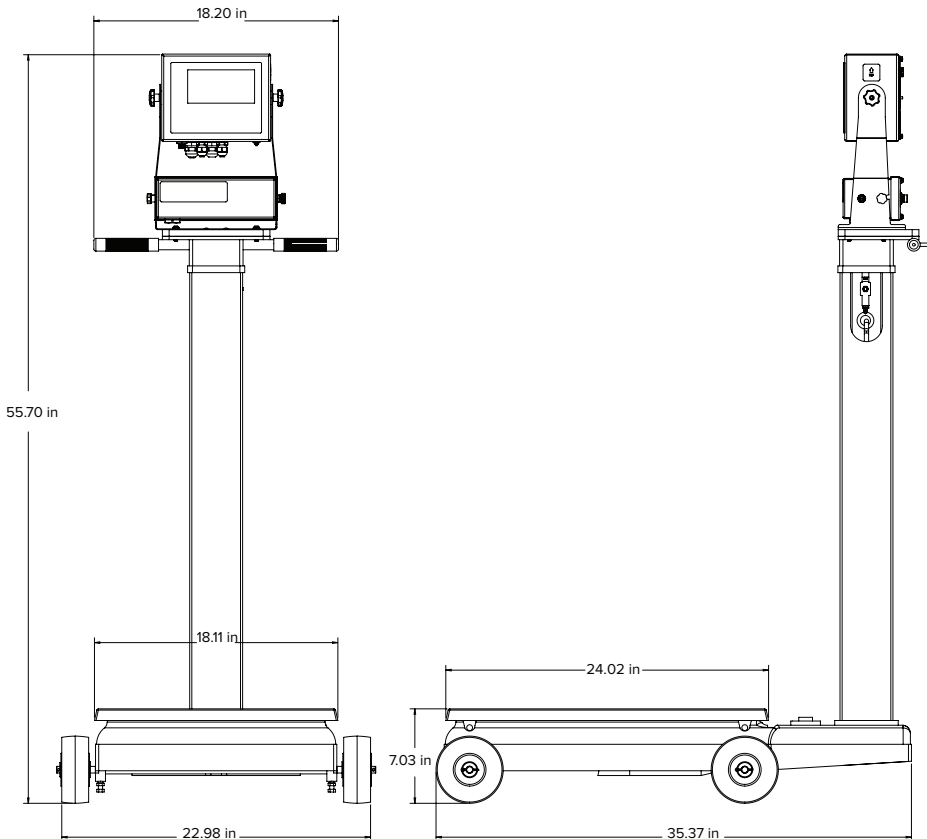
### Approvals:

cULus Listed\*  
FM Entity  
ATEX  
IECEX  
NTEP CC 19-015  
Measurement Canada AM-6124C  
OIML R76/2006-A-NL1-21.11  
EU Test Certificate T11166  
cULus\* Listed  
CE Marked

\*cULus is only applicable to 882IS I/O and battery charger

## Part Number/Price

Part #	Description	Capacity	Est. Weight	Price
195558	Portable beam scale with 882IS, battery pack and charger	1,000 lb x 0.5 lb	200 lb	\$4,445.00
195560	Portable beam scale with 882IS Plus, battery pack and charger	1,000 lb x 0.5 lb	200 lb	\$4,445.00







### Approvals



### Part Number/Price

Part #	Size (W × L × H)	Capacity	Est. Weight	Price
18677	4 ft × 4 ft × 3.5 in	5,000 lb	150 lb	\$3,995.00

### Options/Accessories

Part #	Description	Price
Consult	Four drilled deck holes for scale height adjustment	\$40.00
Consult	Top-access junction box	+\$100.00 list price add-on

### Standard Features

- Low-profile design
- Black anodized aluminum construction to improve durability, resistance to corrosion and scratching
- Diamond treadplate safety deck
- Four high-alloy tool steel shear beam load cells
- Side-access junction box
- 20 ft SURVIVOR® EL147HE hostile environment load cell cable
- Four adjustable stainless steel SUREFOOT™ support feet

### Specifications

#### End Load Capacity:

100% full scale

#### Cable Length:

20 ft (6.1 m) for connecting junction box to indicator

#### Junction Box:

TuffSeal® JB4SS stainless steel, NEMA Type 4X junction box with signal trim card

#### Welding:

Stitch, consult factory if continuous is required

#### Warranty (limited):

Load cells: Two-year  
All other components:  
One-year limited

# RoughDeck® FXB

Painted Steel and Stainless Steel, Flexure Lever Floor Scale



Approvals



## Part Number/Price

Part #	Size (W × L × H)	Capacity	Est. Weight	Price
<b>Painted Steel</b>				
33134	18 in × 24 in × 6.5 in	500 lb (250 kg)	125 lb	\$4,825.00
33066	18 in × 24 in × 6.5 in	1,000 lb (500 kg)	125 lb	\$4,825.00
113566	18 in × 30 in × 6.5 in	500 lb (250 kg)	133 lb	\$4,825.00
33136	18 in × 30 in × 6.5 in	1,000 lb (500 kg)	133 lb	\$4,825.00
113567	18 in × 30 in × 6.5 in	1,500 lb (750 kg)	133 lb	\$4,825.00
33067	24 in × 24 in × 6.5 in	500 lb (250 kg)	151 lb	\$5,000.00
33068	24 in × 24 in × 6.5 in	1,000 lb (500 kg)	151 lb	\$5,000.00
33138	30 in × 30 in × 6.5 in	500 lb (250 kg)	191 lb	\$5,175.00
33069	30 in × 30 in × 6.5 in	1,000 lb (500 kg)	191 lb	\$5,175.00
33139	30 in × 30 in × 6.5 in	1,500 lb (750 kg)	191 lb	\$5,175.00
33070	30 in × 30 in × 8.25 in	2,000 lb (1,000 kg)	281 lb	\$5,350.00
33140	36 in × 36 in × 8.25 in	1,000 lb (500 kg)	234 lb	\$5,350.00
33071	36 in × 36 in × 8.25 in	2,000 lb (1,000 kg)	234 lb	\$5,350.00
33072	36 in × 36 in × 8.25 in	5,000 lb (2,500 kg)	234 lb	\$5,350.00
33141	38 in × 46 in × 8.25 in	1,000 lb (500 kg)	610 lb	\$5,350.00
113569	38 in × 46 in × 8.25 in	2,000 lb (1,000 kg)	610 lb	\$5,350.00
113570	38 in × 46 in × 8.25 in	5,000 lb (2,500 kg)	610 lb	\$5,350.00
113572	48 in × 48 in × 8.25 in	1,000 lb (500 kg)	654 lb	\$6,100.00
33073	48 in × 48 in × 8.25 in	2,000 lb (1,000 kg)	654 lb	\$6,100.00
33074	48 in × 48 in × 8.25 in	5,000 lb (2,500 kg)	654 lb	\$6,100.00
33075	48 in × 48 in × 9.25 in	10,000 lb (5,000 kg)	735 lb	\$6,750.00
33078	48 in × 60 in × 9.25 in	10,000 lb (5,000 kg)	845 lb	\$7,800.00
33149	48 in × 72 in × 9.25 in	5,000 lb (2,500 kg)	1,120 lb	\$8,300.00
33080	48 in × 72 in × 9.25 in	10,000 lb (5,000 kg)	1,120 lb	\$8,300.00
33081	60 in × 60 in × 8.25 in	5,000 lb (2,500 kg)	967 lb	\$8,300.00
33082	60 in × 60 in × 9.25 in	10,000 lb (5,000 kg)	1,180 lb	\$8,300.00
33083	60 in × 72 in × 10.25 in	10,000 lb (5,000 kg)	-	\$8,895.00
<b>Stainless Steel</b>				
113581	24 in × 24 in × 6.5 in	500 lb (250 kg)	151 lb	\$6,035.00
113582	24 in × 24 in × 6.5 in	1,000 lb (500 kg)	151 lb	\$6,035.00
113586	30 in × 30 in × 8.25 in	2,000 lb (1,000 kg)	281 lb	\$9,165.00
113588	36 in × 36 in × 8.25 in	2,000 lb (1,000 kg)	450 lb	\$10,025.00
113595	48 in × 48 in × 8.25 in	5,000 lb (2,500 kg)	630 lb	\$13,350.00
113604	48 in × 60 in × 8.25 in	5,000 lb (2,500 kg)	-	\$17,660.00
113596	48 in × 48 in × 11.25 in	10,000 lb (5,000 kg)	735 lb	\$16,660.00
113613	60 in × 72 in × 11.25 in	10,000 lb (5,000 kg)	1,290 lb	\$24,000.00

## Options/Accessories

Part #	Description	Price
Consult	FXB forklift skid, constructed with (2) 8" wide painted steel channels attached to FXB scale frame per customer's specified center-to-center distance Note: For FXB-3846 through FXB-6084 scales only	\$1,125.00
Consult	FXB forklift skid with indicator column, constructed with (2) 8" wide painted steel channels attached to FXB scale frame per customer's specified center-to-center distance, one channel extended beyond frame 12" with 54" indicator column Note: For FXB-3846 through FXB-6084 scales only	\$1,250.00

NOTE: Indicator stand works with 120/120 Plus, 480/480 Plus, 482/482 Plus, 880/880 Plus, 882IS/882IS Plus, 882IS/882IS Plus w/battery, 680 Synergy

## Standard Features

### Painted Steel

- Unique flexure design filters motion and shock loading
- Spring steel flexures
- Rugged all-steel painted construction smooth deck
- One Rice Lake Weighing Systems brand RL20000 series nickel-plated s-beam load cell and plated wire rope
- NTEP Certified models in sizes 24 × 24 in (500 lb) through 72 × 96 in up to 10,000 lb capacity

### Stainless Steel

- Unique flexure design filters motion and shock loading
- All 304 stainless steel construction, smooth deck
- Stainless flexures, hardware and load cell
- NTEP Certified models in sizes 24 × 24 in (500 lb) through 72 × 96 in up to 10,000 lb capacity

## Specifications

### End Loading Capacity:

100% of scale capacity

### Safe Overload Capacity:

150% of scale capacity

### Warranty:

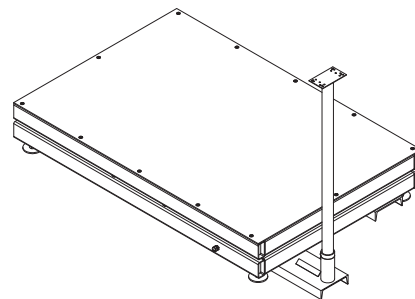
Two-year limited

### Approvals:

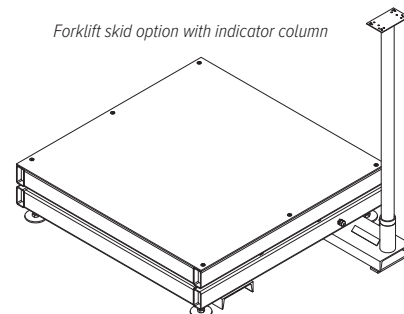
Painted : NTEP CC 88-100, Class III 5,000 d

Stainless steel: NTEP CC 88-100, Class III 3,000 d

On rectangular scales, the forks MUST run the long direction of the scale so the cord grip will be on the side adjacent

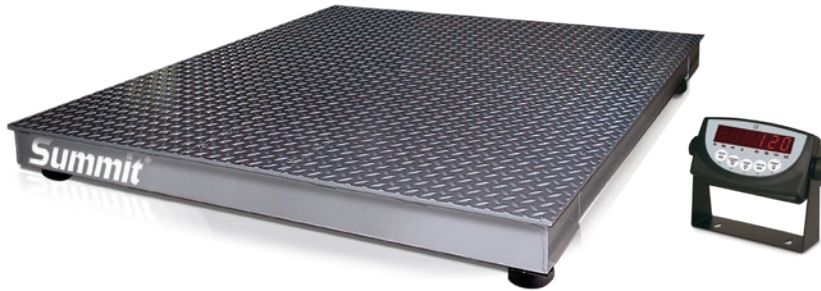


Forklift skid option with indicator column



# Summit® Scale and 120 Indicator Package

Floor Scale/120 Indicator Package



## Approvals



Measurement  
Canada  
Approved



## Part Number/Price

Part #	Size (W × L × H)	Capacity	Est. Weight	Price
<b>Floor Scale and Indicator Package (Single Scale)</b>				
Package includes Summit 3000 floor scale, 120 digital weight indicator with tilt stand, 20 ft load cell cable with quick disconnect; configured and calibrated				
<b>115 VAC</b>				
78772	4 ft × 4 ft × 3.625 in	5,000 lb × 1 lb	315 lb	\$2,475.00
78773	4 ft × 4 ft × 3.625 in	10,000 lb × 2 lb	315 lb	\$2,475.00
<b>230 VAC</b>				
78780	4 ft × 4 ft × 3.625 in	5,000 lb × 1 lb	315 lb	\$2,475.00
78781	4 ft × 4 ft × 3.625 in	10,000 lb × 2 lb	315 lb	\$2,475.00
<b>115 VAC Measurement Canada Approved</b>				
78776	4 ft × 4 ft × 3.625 in	2,500 lb × 0.5 kg	315 lb	\$2,475.00
78777	4 ft × 4 ft × 3.625 in	5,000 lb × 1 kg	315 lb	\$2,475.00

## Options/Accessories

Part #	Description	Price
<b>Summit 3000 Floor Scale</b>		
Consult	Access ramps available	See catalog page 390
Consult	Pit frames available	See catalog page 393
Consult	Bumper guards available	See catalog page 396 through catalog page 398
Consult	Portability frames available	See catalog page 399 through catalog page 404
75819	Floor anchor plates, mild steel (set of two)	\$38.00
19352	Floor stand for indicator, 36.3 in high, mild steel	\$250.00
126384	Floor stand for indicator, 48 in high, mild steel	\$275.00

## Standard Features

- Package includes: Summit 3000 4 ft × 4 ft × 3.625 in floor scale, 20 ft of EL147 load cell cable with quick disconnect, and 120 indicator
- Package configured and factory calibrated for 5,000 divisions

### Scale

- Four NTEP Certified alloy steel, shear beam load cells
- Top-access junction box
- Rugged diamond safety treadplate steel deck
- Four adjustable rigid polyurethane rubber feet, 3 in (76 mm) diameter
- Signal trim summing board housed in ABS enclosure
- Threaded eyebolt hole (1/2–20NF) located in the center of the deck for easy lifting

### Indicator

- Large 0.8 in backlit LCD display
- Five-button operation
- Full front panel digital calibration and configuration

## Specifications

### End Load Capacity:

- 100% full scale at 5,000 lb
- 80% full scale at 10,000 lb

### Cable Length:

- 20 ft (6.1 m) for connecting junction box to indicator

### Threaded Eyebolt:

- Hole (1/2–20 NF) located in center of deck for easy lifting

### Warranty (limited):

- Weldment and load cells two-years
- All other components one-year

### Approvals:

- NTEP CC 92-001, Class III 5,000 d
- Measurement Canada AM-5530, Class III 5,000 d (2,500 kg, 5,000 kg)

## 120 Specifications

### Power:

- Line voltages: 115 or 230 VAC
- Frequency: 50 or 60 Hz

### Communication Port:

- EDP port: Full duplex RS-232
- Printer port: Output-only RS-232 or active 20 mA current loop
- Both ports: 9600, 4800, 2400, 1200, 600, 300bps;
- Seven or eight data bits; even, odd or no parity

### Display:

- 0.8 in (20 mm), six-digit red LED display, seven-segment digits

### Annunciators:

- Center of zero, stand still, gross, net, lb, kg, oz, g

### Keys/Buttons:

- Five-key flat membrane panel, tactile feel

### Rating/Material:

- Enclosure: heavy gauge ABS

### Warranty:

- One-year limited

### Approvals:

- NTEP CC 03-059, Class III/IIIL 10,000d
- Measurement Canada AM-5517, Class III/IIILD 10,000d
- EU Test Certificate TC7028 (120) Class III, 10,000d
- CE marked

# Summit® Scale and 120 Plus Indicator Package

Floor Scale/120 Plus Indicator Package



## Approvals



Measurement  
Canada  
Approved

## Part Number/Price

Part #	Size (W × L × H)	Capacity	Est. Weight	Price
<b>Floor Scale and Indicator Package (Single Scale)</b>				
Package includes Summit® 3000 floor scale, 120/120 PLUS digital weight indicator with tilt stand, 20 ft load cell cable with quick disconnect; configured and calibrated				
<b>115 VAC</b>				
106913	4 ft × 4 ft × 3.625 in	5,000 lb × 1 lb	315 lb	\$2,615.00
106914	4 ft × 4 ft × 3.625 in	10,000 lb × 2 lb	315 lb	\$2,615.00
<b>230 VAC</b>				
106915	4 ft × 4 ft × 3.625 in	5,000 lb × 1 lb	315 lb	\$2,615.00
106916	4 ft × 4 ft × 3.625 in	10,000 lb × 2 lb	315 lb	\$2,615.00
<b>115 VAC Measurement Canada Approved</b>				
106917	4 ft × 4 ft × 3.625 in	2,500 lb × 0.5 kg	315 lb	\$2,615.00
106918	4 ft × 4 ft × 3.625 in	5,000 lb × 1 kg	315 lb	\$2,615.00

## Options/Accessories

Part #	Description	Price
<b>Summit® 3000 Floor Scale</b>		
Consult	Access ramps available	See catalog page 390
Consult	Pit frames available	See catalog page 393
Consult	Bumper guards available	See catalog page 396 through catalog page 398
Consult	Portability frames available	See catalog page 399 through catalog page 404
75819	Floor anchor plates, mild steel (set of two)	\$38.00
19352	Floor stand for indicator, 36.3 in high, mild steel	\$250.00
126384	Floor stand for indicator, 48 in high, mild steel	\$275.00

## Standard Features

- Package includes: Summit 3000 4 ft × 4 ft × 3.625 in floor scale, 20 ft of EL147 load cell cable with quick disconnect, and 120 Plus indicator
- Package configured and factory calibrated for 5,000 divisions

### Scale

- Four NTEP Certified alloy steel, shear -beam load cells
- Top-access junction box
- Rugged diamond safety treadplate steel deck
- Four adjustable rigid polyurethane rubber feet, 3 in (76 mm) diameter
- Signal trim summing board housed in ABS enclosure
- Threaded eyebolt hole (1/2–20NF) located in the center of the deck for easy lifting

### Indicator

- Large 0.8 in backlit liquid crystal display (LCD)
- 115 or 230 VAC wall adapter with rechargeable battery

## Summit Floor Scale Specifications

### End Load Capacity:

- 100% full scale at 5,000 lb
- 80% full scale at 10,000 lb

### Cable Length:

- 20 ft (6.1 m) for connecting junction box to indicator

### Threaded Eyebolt:

- Hole (1/2-20 NF) located in center of deck for easy lifting

### Warranty (limited):

- Weldment and load cells two-years
- All other components one-year

### Approvals:

- NTEP CC 92-001, Class III 5,000 d
- Measurement Canada AM-5530, Class III 5,000 d (2,500 kg, 5,000 kg)

## 120 Plus Specifications

### Power:

- Line voltages: 115 or 230 VAC
- Frequency: 50 or 60 Hz

### Battery Life:

- 60 hours with 1 × 350 ohm, 40 hours with 4 × 350 ohm
- Charge time: Eight hours

### Communication Port:

- EDP port: Full duplex RS-232
- Printer port: Output-only RS-232 or active 20 mA current loop
- Both ports: 9600, 4800, 2400, 1200, 600, 300bps;
- Seven or eight data bits; even, odd or no parity

### Display:

- 0.8 in (20 mm) six-digit LCD with backlight, seven-segment digits

### Annunciators:

- Battery, setpoint 1 and 2, Hold

### Keys/Buttons:

- Zero, tare, preset tare, hold, gross/net, units, numeric 0-9, clear, enter/print

### Rating/Material:

- Enclosure: heavy gauge ABS

### Warranty:

- One-year limited

### Approvals:

- NTEP O3-059, Class III/IIIL 10,000d
- Measurement Canada AM-5517
- EU Test Certificate TC7626 (120 Plus)
- Class III, 10,000d
- CE Marked





## Standard Features

- Four NTEP Certified alloy steel shear beam load cells
- Top -access junction box
- Rugged diamond safety treadplate steel deck
- Four adjustable rigid polyurethane rubber feet, 3 in (76 mm) diameter
- Signal trim summing board housed in ABS enclosure
- Threaded eyebolt hole (1/2-20NF) located in the center of the deck for easy lifting
- 20 ft of EL147 load cell cable. The load cell cable exits weldment toward the interior of scale, allowing flexibility to route out any side of scale to digital weight indicator.

## Approvals



Measurement  
Canada  
Approved

## Part Number/Price

Part #	Size (W × L × H)	Capacity	Est. Weight	Price
<b>Single Scale</b>				
74715	3 ft × 3 ft × 3.625 in	2,000 lb	190 lb	\$1,895.00
74716	4 ft × 4 ft × 3.625 in	2,000 lb	305 lb	\$2,020.00
74717	4 ft × 4 ft × 3.625 in	5,000 lb	305 lb	\$2,020.00
74718	4 ft × 4 ft × 3.625 in	10,000 lb	305 lb	\$2,020.00
74719	4 ft × 5 ft × 3.625 in	5,000 lb	395 lb	\$2,230.00
74720	4 ft × 5 ft × 3.625 in	10,000 lb	445 lb	\$3,030.00
74721	4 ft × 6 ft × 3.625 in	5,000 lb	470 lb	\$2,410.00
74722	4 ft × 6 ft × 3.625 in	10,000 lb	525 lb	\$3,210.00
74723	5 ft × 5 ft × 3.625 in	5,000 lb	505 lb	\$2,445.00
74724	5 ft × 5 ft × 3.625 in	10,000 lb	575 lb	\$3,245.00
<b>Single Scale—Measurement Canada Approved</b>				
77440	3 ft × 3 ft × 3.625 in	1,000 kg	190 lb	\$1,895.00
77373	4 ft × 4 ft × 3.625 in	1,000 kg	305 lb	\$2,020.00
77346	4 ft × 4 ft × 3.625 in	2,500 kg	305 lb	\$2,020.00
77347	4 ft × 4 ft × 3.625 in	5,000 kg	305 lb	\$2,020.00
82880	4 ft × 5 ft × 3.625 in	2,500 kg	395 lb	\$2,230.00
82881	4 ft × 5 ft × 3.625 in	5,000 kg	445 lb	\$3,030.00
77348	5 ft × 5 ft × 3.625 in	2,500 kg	505 lb	\$2,445.00
77349	5 ft × 5 ft × 3.625 in	5,000 kg	575 lb	\$3,245.00

## Options/Accessories

Part #	Description	Price
75819	Floor anchor plates, mild steel (set of two)	\$38.00
Consult	Top-access foot adjust holes	\$40.00
19352	Floor stand for indicator, 36.3 in high, mild steel	\$250.00
126384	Floor stand for indicator, 48 in high, mild steel	\$275.00

\*For custom sizes or capacities, please consult factory for RoughDeck® HP pricing

## Specifications

### End Load Capacity:

100% full scale at 2,000 lb and 5,000 lb  
80% full scale at 10,000 lb

### Cable Length:

20 ft (6.1 m) for connecting junction box to indicator

### Threaded Eyebolt:

Hole (1/2-20 NF) located in center of deck for easy lifting

### Warranty (limited):

Weldment and load cells two-years, all other components one-year

### Approvals:

NTEP CC 92-001A9, Class III 5,000 d  
Measurement Canada AM-5530, Class III 5,000 d  
(2,500 kg, 5,000 kg) 2,000 d (1,000 kg)

# RoughDeck® Access Ramps



FLOOR SCALES

## RoughDeck Access Ramps

Part #	Size (W × L × H)	Ramp Angle of Incline	Est. Weight	Price
<b>RoughDeck HP: 1,000 to 10,000 lb (diamond treadplate standard)</b>				
69040*	2.5 ft × 3 ft × 3.5 in	5.3°	115 lb	\$585.00
69041*	3 ft × 3 ft × 3.5 in	5.3°	133 lb	\$620.00
69042*	4 ft × 3 ft × 3.5 in	5.3°	177 lb	\$680.00
69043*	5 ft × 3 ft × 3.5 in	5.3°	226 lb	\$765.00
69184	2.5 ft × 4 ft × 3.5 in	3.9°	152 lb	\$680.00
69185	3 ft × 4 ft × 3.5 in	3.9°	177 lb	\$725.00
69186	4 ft × 4 ft × 3.5 in	3.9°	224 lb	\$810.00
69187	5 ft × 4 ft × 3.5 in	3.9°	272 lb	\$860.00
<b>RoughDeck HP-H: 20,000 lb (diamond treadplate standard)</b>				
69204	4 ft × 4 ft × 4 in	4.4°	487 lb	\$1,430.00
69205	5 ft × 4 ft × 4 in	4.4°	591 lb	\$1,635.00
69206	6 ft × 4 ft × 4 in	4.4°	689 lb	\$1,720.00
69207	7 ft × 4 ft × 4 in	4.4°	822 lb	\$2,000.00
69208	8 ft × 4 ft × 4 in	4.4°	1005 lb	\$2,210.00
<b>RoughDeck HP-H: 30,000 lb (diamond treadplate standard)</b>				
69210	4 ft × 5 ft × 5 in	4.4°	666 lb	\$1,775.00
69211	5 ft × 5 ft × 5 in	4.4°	806 lb	\$1,975.00
69212	6 ft × 5 ft × 5 in	4.4°	942 lb	\$2,165.00
69213	7 ft × 5 ft × 5 in	4.4°	1116 lb	\$2,450.00
69214	8 ft × 5 ft × 5 in	4.4°	1337 lb	\$2,830.00
<b>RoughDeck SS and HE: 1,000 to 10,000 lb (diamond treadplate standard)</b>				
69178*	2.5 ft × 3 ft × 3.5 in	5.3°	115 lb	\$1,205.00
69179*	3 ft × 3 ft × 3.5 in	5.3°	133 lb	\$1,205.00
69180*	4 ft × 3 ft × 3.5 in	5.3°	177 lb	\$1,470.00
69189	2.5 ft × 4 ft × 3.5 in	3.9°	152 lb	\$1,340.00
69190	3 ft × 4 ft × 3.5 in	3.9°	177 lb	\$1,470.00
69191	4 ft × 4 ft × 3.5 in	3.9°	224 lb	\$2,000.00
69192	5 ft × 4 ft × 3.5 in	3.9°	272 lb	\$2,260.00

\* Not recommended for use with pallet jacks

NOTE: Part numbered ramps are designed to fit scale on sides perpendicular to junction box. The junction box is always on longest side of scale unless specified differently.

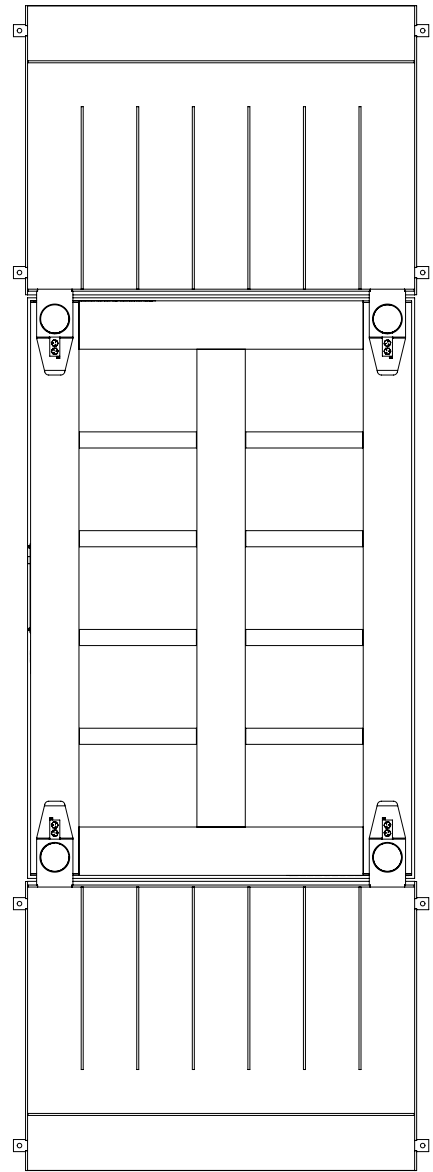
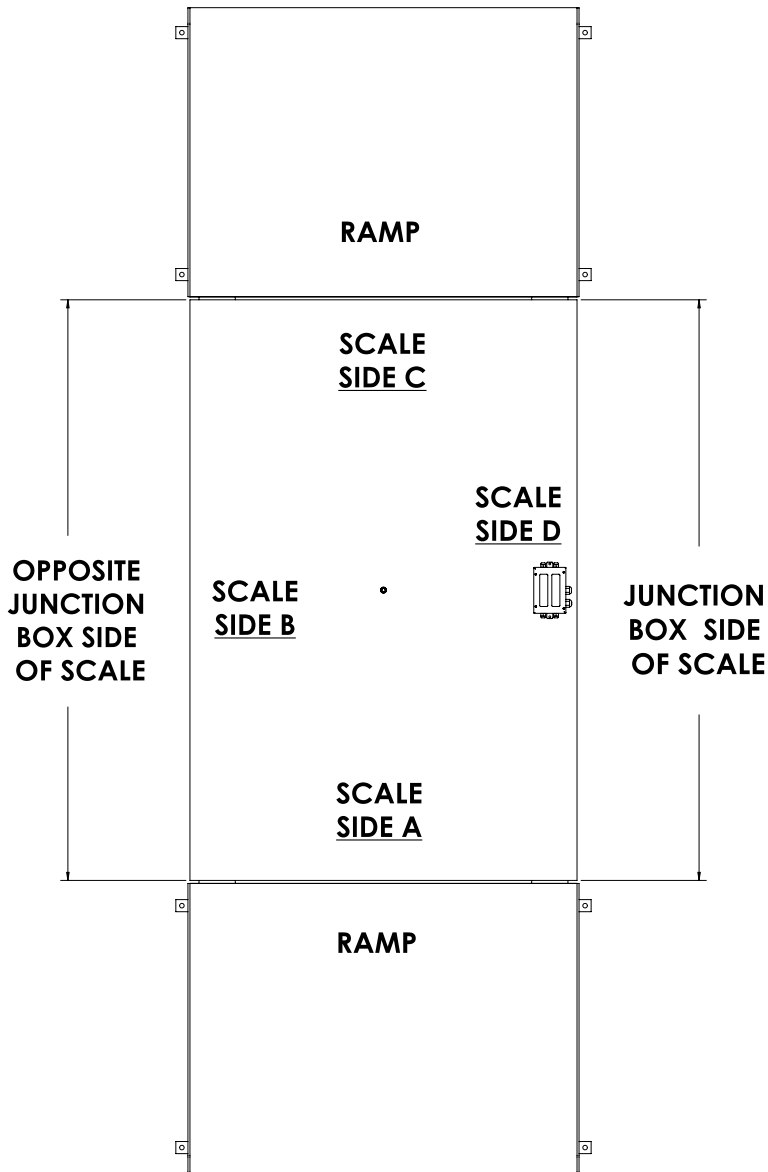
NOTE: Part numbered ramps are designed to fit scale sides A or C; if you need a ramp to fit scale side B or D, please refer to page 391. Please request a quote for a special ramp.

## Options/Accessories

Part #	Description	Price
Consult	Epoxy paint	+\$150.00 list price add-on



# RoughDeck® Access Ramps



FLOOR SCALES

Part numbered ramps are designed to fit scale sides A or C; if you need a ramp to fit scale side B or D, please request a quote for a special ramp.

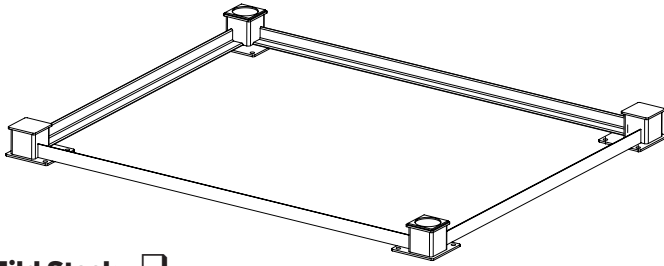
The junction box is always on the longest side of the scale unless specified differently.

# Floor Scale Pit Mounted Riser Stand

Please complete and email this form to [orderdesk@ricelake.com](mailto:orderdesk@ricelake.com) for pricing.

## Standard Features

- Ideal for applications with an existing pit and the depth exceeds standard pit depth for the scale
- Designed to be anchored to pit floor (anchor bolts not included)

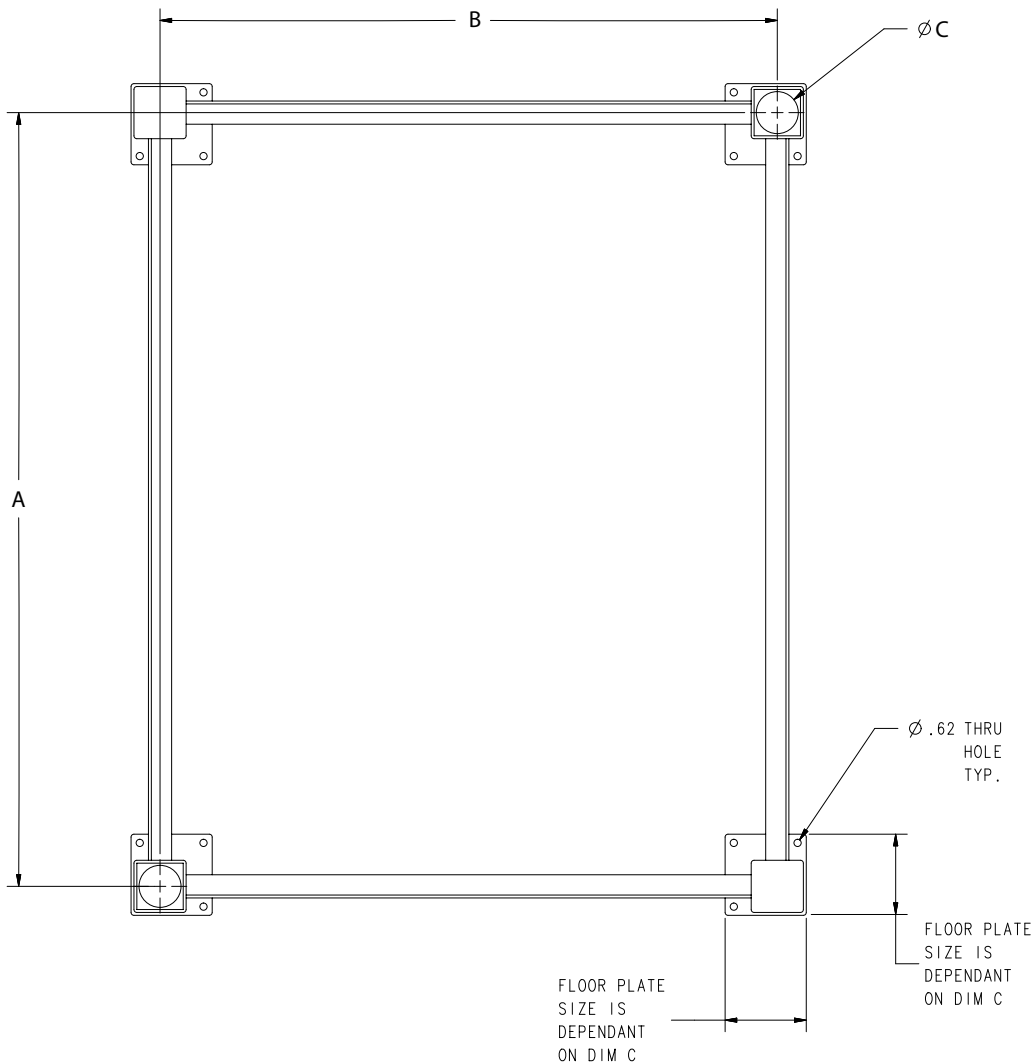
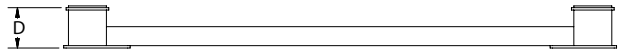


Painted Mild Steel:

Stainless Steel:

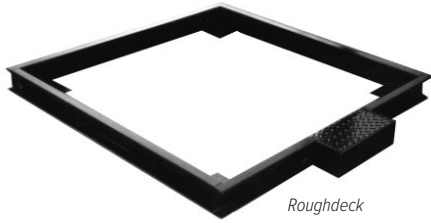
Scale Capacity: \_\_\_\_\_

A	
B	
C	
D	



FLOOR SCALES

# RoughDeck® Pit Frames



## Part Number/Price

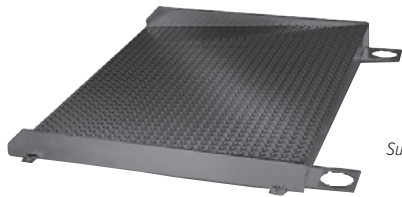
Part #	Size (W × L)	Est. Weight	Price
<b>RoughDeck HP: 1,000 to 10,000 lb</b>			
18757	2.5 × 2.5 ft	88 lb	\$445.00
18759	3 × 3 ft	102 lb	\$495.00
18761	4 × 4 ft	127 lb	\$630.00
18763	5 × 5 ft	154 lb	\$785.00
18765	4 × 5 ft	140 lb	\$710.00
18767	4 × 6 ft	157 lb	\$785.00
18769	5 × 6 ft	172 lb	\$865.00
18771	5 × 7 ft	185 lb	\$925.00
<b>RoughDeck HP-H: 20,000 lb</b>			
39595	4 × 4 ft	309 lb	\$780.00
39596	4 × 5 ft	352 lb	\$835.00
39597	4 × 6 ft	391 lb	\$895.00
39598	4 × 7 ft	459 lb	\$1,025.00
39599	5 × 5 ft	411 lb	\$940.00
39600	5 × 6 ft	460 lb	\$1,070.00
39601	5 × 7 ft	473 lb	\$1,115.00
39602	6 × 6 ft	583 lb	\$1,240.00
39603	6 × 7 ft	597 lb	\$1,290.00
39604	6 × 8 ft	610 lb	\$1,365.00
39605	7 × 9 ft	683 lb	\$1,450.00
39606	7 × 10 ft	781 lb	\$1,530.00
39607	8 × 10 ft	795 lb	\$1,585.00
<b>RoughDeck HP-H: 30,000 lb</b>			
39608	4 × 4 ft	356 lb	\$925.00
39609	4 × 5 ft	402 lb	\$970.00
39610	4 × 6 ft	444 lb	\$1,055.00
39611	4 × 7 ft	516 lb	\$1,160.00
39612	5 × 5 ft	464 lb	\$1,115.00
39613	5 × 6 ft	498 lb	\$1,185.00
39614	5 × 7 ft	533 lb	\$1,240.00
39615	6 × 6 ft	643 lb	\$1,445.00
39619	7 × 10 ft	850 lb	\$1,605.00
39620	8 × 10 ft	875 lb	\$1,665.00
<b>RoughDeck SS and HE: 1,000 to 10,000 lb</b>			
18758	2.5 × 2.5 ft	88 lb	\$1,525.00
18760	3 × 3 ft	102 lb	\$1,525.00
18762	4 × 4 ft	127 lb	\$1,895.00
18764	5 × 5 ft	154 lb	\$2,345.00
18766	4 × 5 ft	140 lb	\$2,125.00
18772	5 × 7 ft	185 lb	\$2,790.00

## Options/Accessories

Part #	Description	Price
Consult	Epoxy paint	+\$150.00 list price add-on

FLOOR SCALES

# Summit® 3000 Access Ramps



Summit Access Ramps

## Part Number/Price

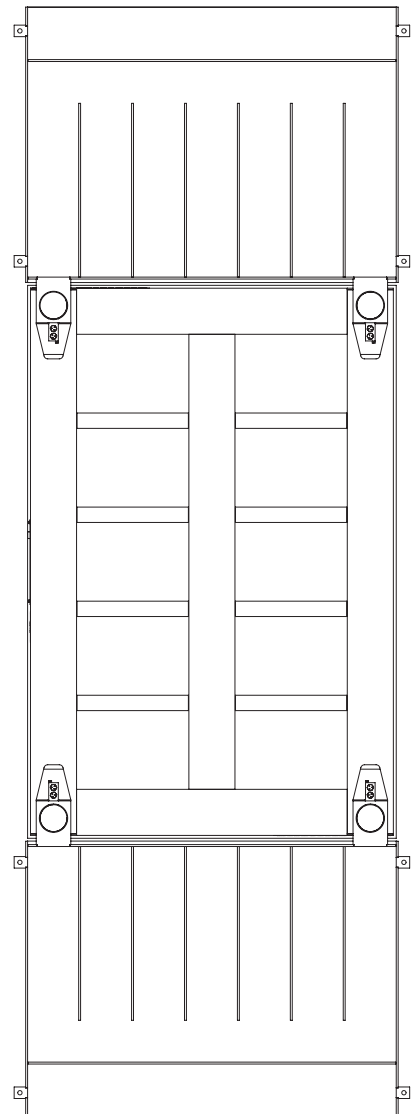
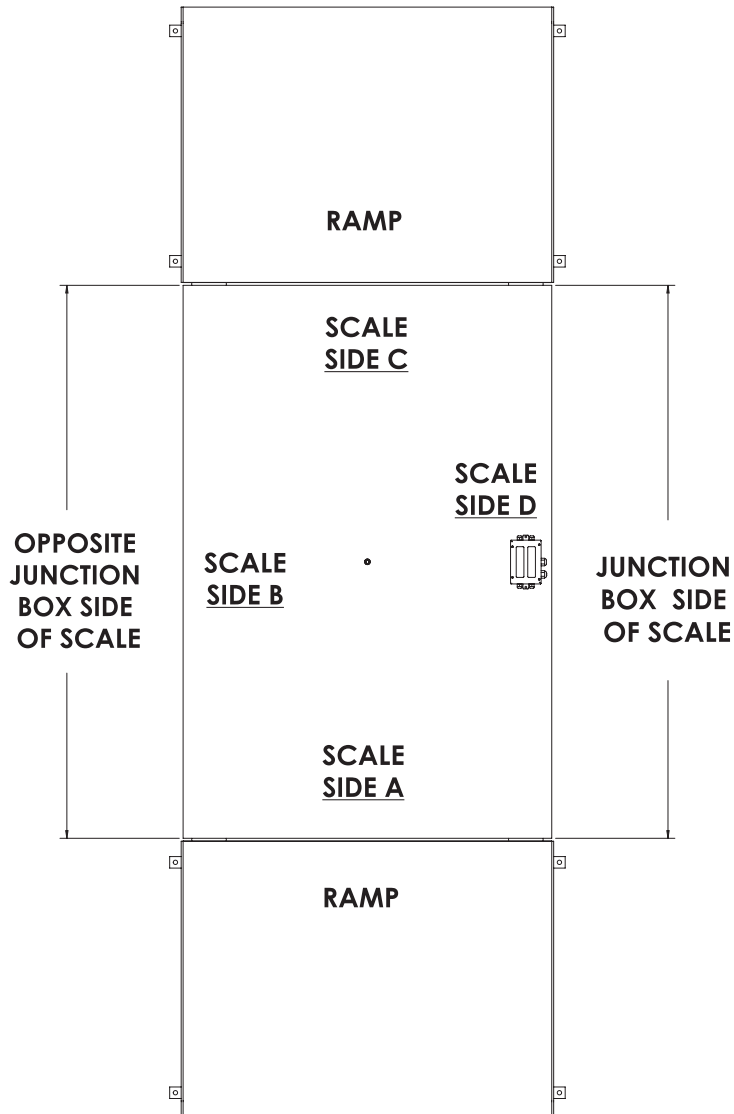
Part #	Size (W × L × H) (Diamond Treadplate Standard)	Ramp Angle of Incline	Est. Weight	Price
74953*	3 ft × 3 ft × 3.625 in	6°	133 lb	\$620.00
74954*	4 ft × 3 ft × 3.625 in	6°	177 lb	\$680.00
74955*	5 ft × 3 ft × 3.625 in	6°	226 lb	\$765.00
74956	3 ft × 4 ft × 3.625 in	4°	177 lb	\$725.00
74957	4 ft × 4 ft × 3.625 in	4°	224 lb	\$810.00
74958	5 ft × 4 ft × 3.625 in	4°	272 lb	\$860.00

\* Not recommended for use with pallet jacks

NOTE: Part numbered ramps are designed to fit scale on sides perpendicular to junction box. The junction box is always on longest side of scale unless specified differently.

Part numbered ramps are designed to fit scale sides A or C; if you need a ramp to fit scale side B or D, please request a quote for a special ramp

FLOOR SCALES



Underdeck View

# Summit® 3000 Pit Frames



Summit Pit Frames

## Part Number/Price

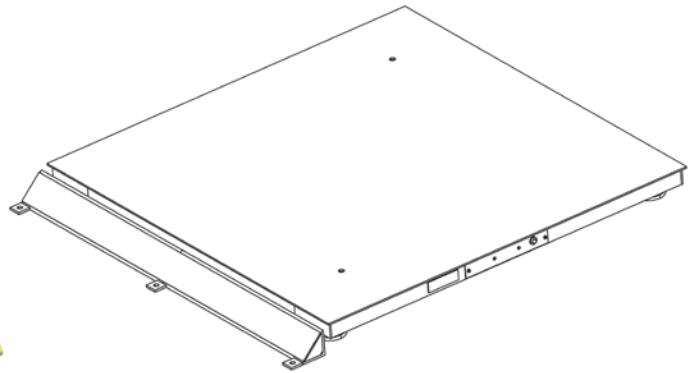
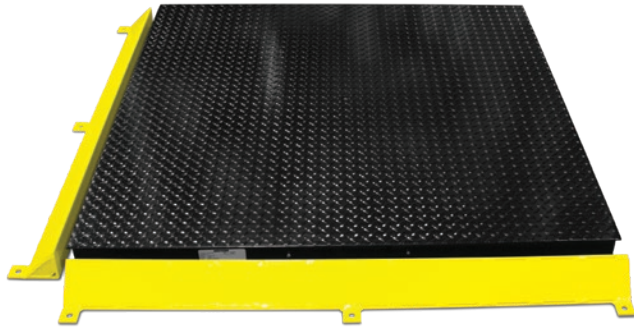
Part #	Size (W × L)	Est. Weight	Price
75036	3 × 3 ft	100 lb	\$495.00
75037	4 × 4 ft	125 lb	\$630.00
75040	5 × 5 ft	155 lb	\$785.00
75038	4 × 5 ft	140 lb	\$710.00
75039	4 × 6 ft	157 lb	\$785.00

FLOOR SCALES

# Bumper Guards

Option A

FLOOR SCALES



**Anchor bolt size required:**  
1/2 in dia (Not included)

**Construction:**  
RoughDeck® HP and HP-H versions  
(Mild steel, painted safety yellow)  
RoughDeck SS/HE (304 stainless steel)

## Part Number/Price

Length	RoughDeck HP	Price Each	RoughDeck SS/HE	Price Each	RoughDeck HP-H	Price Each
2.5 ft	<b>86815</b>	\$140.00	<b>86824</b>	\$245.00	<b>86833</b>	\$245.00
3.0 ft	<b>86816</b>	\$170.00	<b>86825</b>	\$290.00	<b>86834</b>	\$290.00
4.0 ft	<b>86817</b>	\$225.00	<b>86826</b>	\$385.00	<b>86835</b>	\$385.00
5.0 ft	<b>86818</b>	\$285.00	<b>86827</b>	\$480.00	<b>86836</b>	\$480.00
6.0 ft	<b>86819</b>	\$340.00	<b>86828</b>	\$575.00	<b>86837</b>	\$575.00
7.0 ft	<b>86820</b>	\$395.00	<b>86829</b>	\$670.00	<b>86838</b>	\$670.00
8.0 ft	<b>86821</b>	\$450.00	<b>86830</b>	\$765.00	<b>86839</b>	\$765.00
9.0 ft	<b>86822</b>	\$510.00	<b>86831</b>	\$860.00	<b>86840</b>	\$860.00
10.0 ft	<b>86823</b>	\$565.00	<b>86832</b>	\$960.00	<b>86841</b>	\$960.00

## Accessories

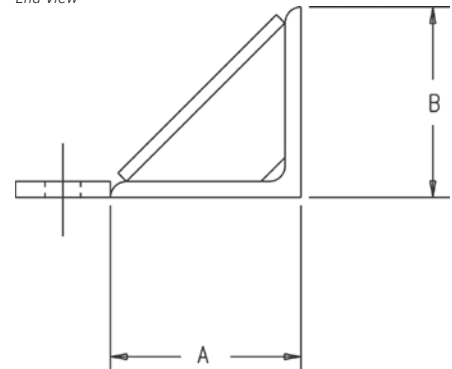
Part #	Description	Price
<b>18777</b>	Floor anchor plates, mild steel (set of two), RoughDeck HP	\$38.00
<b>18778</b>	Floor anchor plates, stainless steel (set of two), RoughDeck SS/HE	\$50.00
<b>40387</b>	Floor anchor plates, mild steel (set of two), RoughDeck HP-H 20,000 lb	\$51.00
<b>40388</b>	Floor anchor plates, mild steel (set of two), RoughDeck HP-H 30,000 lb	\$51.00

## Dimensions

Model	A	B
RoughDeck HP	3 in	3 in
RoughDeck SS/HE	3 in	3 in
RoughDeck HP-H	4 in	4 in

Note: 1 in=25.4 mm

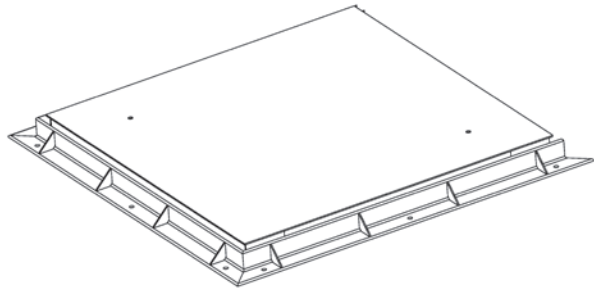
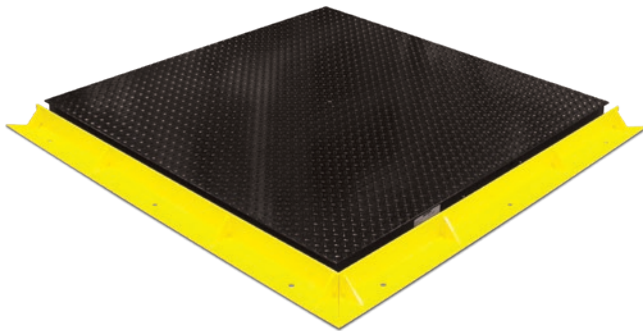
End View





# Bumper Guards

Option B



Note: If you plan to surround scale on all four sides with bumper guards, option B, please contact factory as a special bumper guard must be made to accommodate the home run cable exit.

**Anchor bolt size required:**  
1/2 in dia (Not Included)

**Construction:**  
RoughDeck® HP and HP-H versions  
(Mild steel, painted safety yellow)  
RoughDeck SS/HE (304 stainless steel)

FLOOR SCALES

### Part Number/Price

Length	RoughDeck HP	Price Each	RoughDeck SS/HE	Price Each	RoughDeck HP-H	Price Each
2.5 ft	86843	\$135.00	86852	\$200.00	86861	\$200.00
3.0 ft	86844	\$165.00	86853	\$240.00	86862	\$240.00
4.0 ft	86845	\$220.00	86854	\$315.00	86863	\$315.00
5.0 ft	86846	\$270.00	86855	\$395.00	86864	\$395.00
6.0 ft	86847	\$325.00	86856	\$475.00	86865	\$475.00
7.0 ft	86848	\$385.00	86857	\$555.00	86866	\$555.00
8.0 ft	86849	\$435.00	86858	\$630.00	86867	\$630.00
9.0 ft	86850	\$490.00	86859	\$710.00	86868	\$710.00
10.0 ft	86851	\$540.00	86860	\$790.00	86869	\$790.00

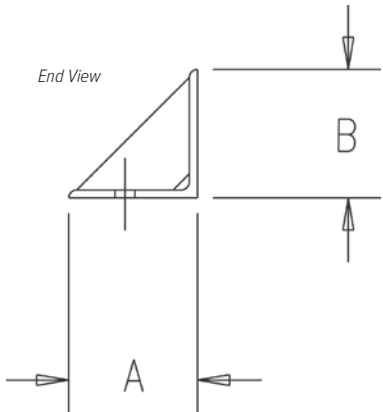
### Accessories

Part #	Description	Price
18777	Floor anchor plates, mild steel (set of two), RoughDeck HP	\$38.00
18778	Floor anchor plates, stainless steel (set of two), RoughDeck SS/HE	\$50.00
40387	Floor anchor plates, mild steel (set of two), RoughDeck HP-H 20,000 lb	\$51.00
40388	Floor anchor plates, mild steel (set of two), RoughDeck HP-H 30,000 lb	\$51.00

### Dimensions

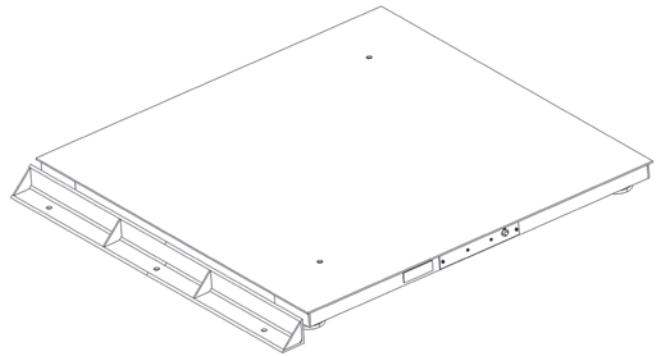
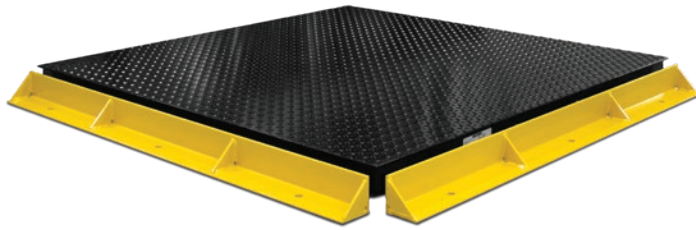
Model	A	B
RoughDeck HP	3 in	3 in
RoughDeck SS/HE	3 in	3 in
RoughDeck HP-H	4 in	4 in

Note: 1 in=25.4 mm



# Bumper Guards

Option C



**Anchor bolt size required:**  
1/2 in dia (not included)

**Construction:**  
RoughDeck® HP and HP-H versions  
(Mild steel, painted safety yellow)  
RoughDeck SS/HE  
(304 stainless steel)

FLOOR SCALES

## Part Number/Price

Length	RoughDeck HP	Price Each	RoughDeck SS/HE	Price Each	RoughDeck HP-H	Price Each
2.5 ft	<b>86870</b>	\$90.00	<b>86879</b>	\$205.00	<b>86888</b>	\$205.00
3.0 ft	<b>86871</b>	\$115.00	<b>86880</b>	\$250.00	<b>86889</b>	\$250.00
4.0 ft	<b>86872</b>	\$145.00	<b>86881</b>	\$335.00	<b>86890</b>	\$335.00
5.0 ft	<b>86873</b>	\$180.00	<b>86882</b>	\$410.00	<b>86891</b>	\$410.00
6.0 ft	<b>86874</b>	\$220.00	<b>86883</b>	\$495.00	<b>86892</b>	\$495.00
7.0 ft	<b>86875</b>	\$255.00	<b>86884</b>	\$575.00	<b>86893</b>	\$575.00
8.0 ft	<b>86876</b>	\$295.00	<b>86885</b>	\$665.00	<b>86894</b>	\$665.00
9.0 ft	<b>86877</b>	\$325.00	<b>86886</b>	\$745.00	<b>86895</b>	\$745.00
10.0 ft	<b>86878</b>	\$360.00	<b>86887</b>	\$825.00	<b>86896</b>	\$825.00

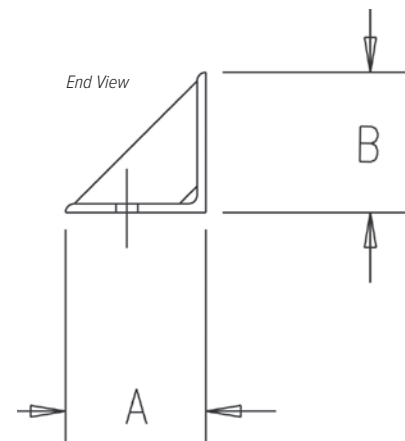
## Accessories

Part #	Description	Price
<b>18777</b>	Floor anchor plates, mild steel (set of two), RoughDeck HP	\$38.00
<b>18778</b>	Floor anchor plates, stainless steel (set of two), RoughDeck SS/HE	\$50.00
<b>40387</b>	Floor anchor plates, mild steel (set of two), RoughDeck HP-H 20,000 lb	\$51.00
<b>40388</b>	Floor anchor plates, mild steel (set of two), RoughDeck HP-H 30,000 lb	\$51.00

## Dimensions

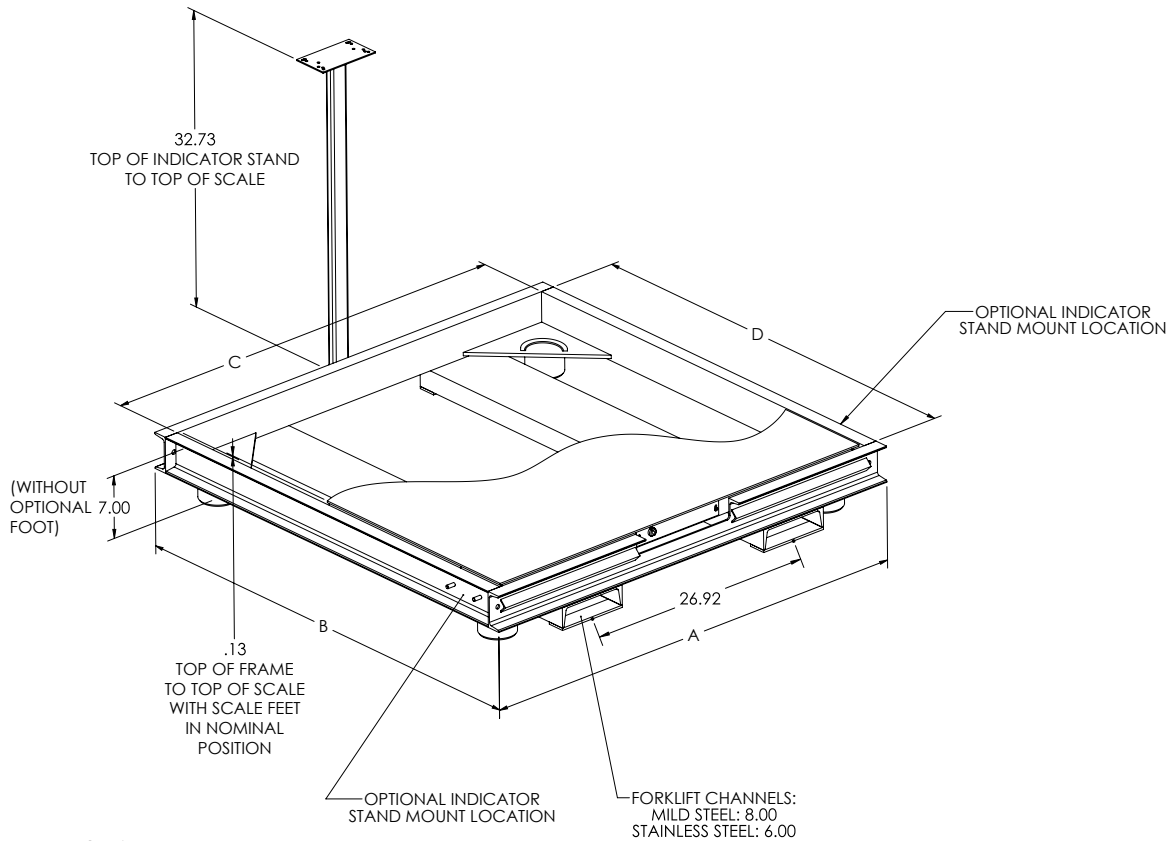
Model	A	B
RoughDeck HP	3 in	3 in
RoughDeck SS/HE	3 in	3 in
RoughDeck HP-H	4 in	4 in

Note: 1 in=25.4 mm



# RoughDeck® HP and SS

Forklift Portability Frames



FLOOR SCALES

## Part Number/Price

Part #	Size (W × L)	Est. Weight	Price
<b>RoughDeck HP Portability Frames</b>			
164492	4 ft × 4 ft, up to 10,000 lb capacity, floor stand for indicator 36.3 in high, indicator stand mounting bracket	275 lb	\$1,350.00
164493	5 ft × 5 ft, up to 10,000 lb capacity, floor stand for indicator 36.3 in high, indicator stand mounting bracket	400 lb	\$1,475.00
<b>RoughDeck SS Portability Frames</b>			
164494	4 ft × 4 ft, up to 10,000 lb capacity, floor stand for indicator 36.3 in high, indicator stand mounting bracket	275 lb	\$3,965.00
164495	5 ft × 5 ft, up to 10,000 lb capacity, floor stand for indicator 36.3 in high, indicator stand mounting bracket	400 lb	\$4,325.00

NOTE: Indicator stand mount bracket works with 120/120 Plus, 882IS/882IS Plus, 882IS/882IS Plus w/battery, 880/880 Plus, 480/480 Plus, 482/482 Plus, 680 Synergy

NOTE: Consult factory if you intend on using with a pallet jack

## Options

Part #	Size (L × W)	Est. Weight	Price
<b>Options</b>			
74574	SST, captured ball foot 3.00 in diameter 1/2-20 UNF thread with jam nut	3.0 lb	\$80.00

## Dimensions

Portability Frame		
<b>4 × 4 ft</b>		
A	Mild steel: 51.92 in	Stainless steel: 52.75 in
B	Mild steel: 51.92 in	Stainless steel: 52.75 in
C	48.75 in	
D	48.75 in	
<b>5 × 5 ft</b>		
A	Mild steel: 63.92 in	Stainless steel: 64.75 in
B	Mild steel: 63.92 in	Stainless steel: 64.75 in
C	60.75 in	
D	60.75 in	
<b>Distance from floor to inside of strap on the fork entry (without optional foot) (4 × 4 ft)</b>		
	Mild steel: 3/4 in	Stainless steel: 1/2 in
<b>Distance from inside of strap to top of the fork entry (without optional foot) (5 × 5 ft)</b>		
	Mild steel: 2 in	Stainless steel: 2 1/4 in

Note: 1 in=25.4 mm

# RoughDeck® HP

Forklift SENDit Portability Frames, Non-NTEP

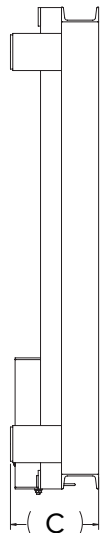
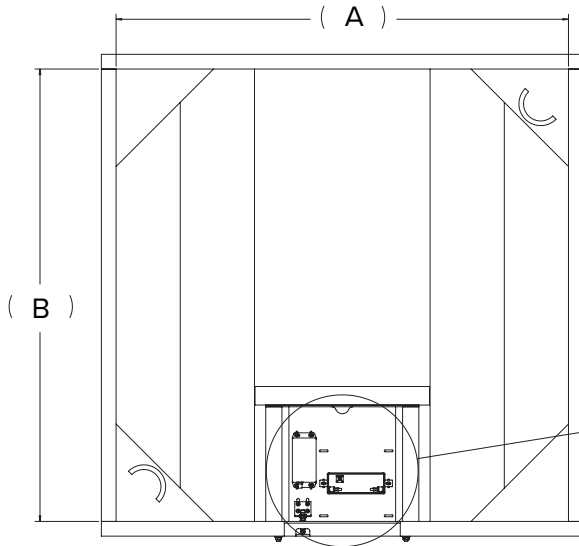
FLOOR SCALES



Scale is sold separately

## Standard Features

- Wireless connection from scale to operator display
- Works with any basic digital weight indicator
- Excitation to the load cell(s) provided by the transmitter, not the indicator
- Transmitter excitation voltage: +4.8 VDC, 16 × 350 ohm or 32 × 700 ohm load cells
- Each transmitter/receiver set is individually paired and will not interfere with another set



## Part Number/Price

Part #	Size (W × L)	Est. Weight	Price
<b>Roughdeck HP Portability Frame</b>			
210900	Roughdeck HP 4 ft × 4 ft, up to 10,000 lb capacity, frame only	350 lb	\$1,475.00
210901	Roughdeck HP 5 ft × 5 ft, up to 10,000 lb capacity, frame only	395 lb	\$1,600.00
<b>SENDit Wireless Electronics Kit</b>			
210898	SENDit wireless load cell interface kit, non-NTEP, indicator not included (customer to supply)	-	\$2,870.00

## Options/Accessories

Part #	Description	Price
162173	Battery, 6 V SLA	\$135.00
74574	Foot	\$80.00

## Dimensions

Scale Size	4 x 4 ft	5 x 5 ft
A	48.75 in	60.75 in
B	48.75 in	60.75 in
C	9.50 in	9.50 in

Note: 1 in=25.4 mm

# RoughDeck® HP

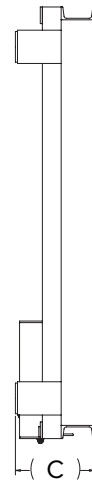
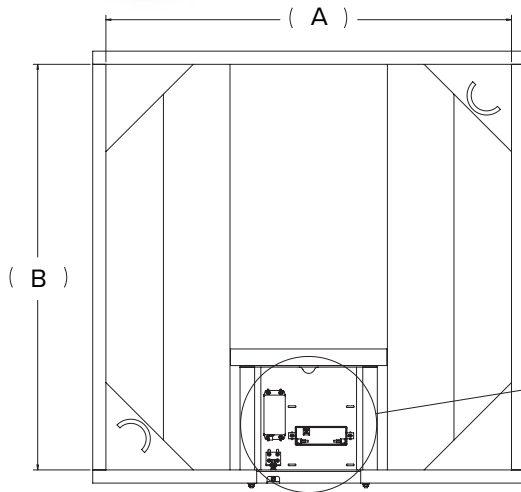
Forklift SENDit Portability Frames, NTEP



## Standard Features

- Wireless connection from scale to operator display
- Excitation to the load cell(s) provided by the transmitter, not the indicator
- Each transmitter/receiver set is individually paired and will not interfere with another set
- Transmitter excitation voltage: +4.8 VDC, 16 × 350 ohm or 32 × 700 ohm load cells
- Estimated battery life of 100 hours
- Two set points with red/green display for operator verification
- Optional audible alarm

FLOOR SCALES



## Approvals



## Part Number/Price

Part #	Size (W × L)	Est. Weight	Price
<b>Roughdeck HP Portability Frame</b>			
210900	Roughdeck HP 4 ft × 4 ft, up to 10,000 lb capacity, frame only	350 lb	\$1,475.00
210901	Roughdeck HP 5 ft × 5 ft, up to 10,000 lb capacity, frame only	395 lb	\$1,600.00
<b>SENDit Wireless Electronics Kit</b>			
210899	Sendit wireless load cell interface kit, NTEP, Includes one 8004HD Display	-	\$3,735.00

## Options/Accessories

Part #	Description	Price
162173	Battery, 6V SLA	\$135.00
74574	Foot	\$80.00

## Dimensions

Scale Size	4 ft x 4 ft	5 ft x 5 ft
A	48.75 in	60.75 in
B	48.75 in	60.75 in
C	9.50 in	9.50 in

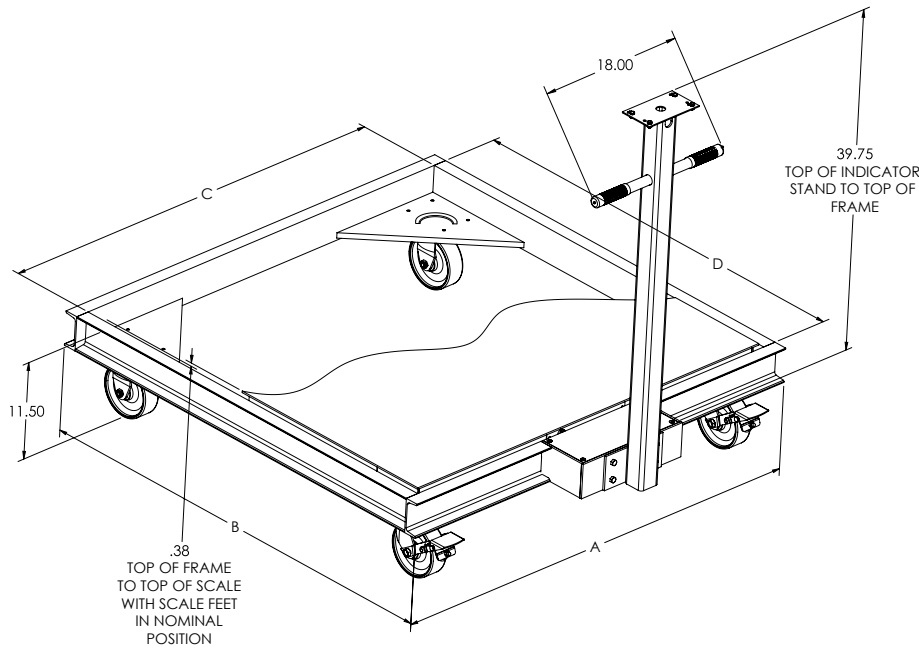
Note: 1 in=25.4 mm



# RoughDeck® HP

Caster Portability Frames

FLOOR SCALES



## Standard Features

- Painted mild steel
- Indicator stand fits 480 Legend weight indicators
- Two rigid forged steel casters, two swivel forged steel caster with lock on back
- Casters for scales 1,000 to 5,000 lb are rated for 4,000 lb each

## Part Number/Price

Part #	Size (W × L × H)	Est. Weight	Price
<b>RoughDeck HP Caster Portability Frames</b>			
157785	2.5 ft × 2.5 ft, for RoughDeck HP 1,000 lb to 5,000 lb	220 lb	\$2,195.00
157791	3 ft × 3 ft, for RoughDeck HP 1,000 lb to 5,000 lb	240 lb	\$2,195.00
157792	4 ft × 4 ft, for RoughDeck HP 1,000 lb to 5,000 lb	260 lb	\$2,195.00
157793	4 ft × 4 ft, for RoughDeck HP 10,000 lb	260 lb	\$2,450.00
<b>RoughDeck HP Caster Portability Frame with Conductive Wheels for use with 882IS</b>			
199096	2.5 ft x 2.5 ft, for RoughDeck HP 1,000 lb to 5,000 lb	220 lb	\$2,495.00
199097	3 ft x 3 ft, for RoughDeck HP 1,000 lb to 5,000 lb	240 lb	\$2,495.00
199098	4 ft x 4 ft, for RoughDeck HP 1,000 lb to 5,000 lb	260 lb	\$2,495.00

NOTE: Indicator stand mount bracket works with 120/120 Plus, 882IS/882IS Plus, 882IS/882IS Plus w/battery, 880/880 Plus, 480/480 Plus, 482/482 Plus, 680 Synergy

## Dimensions

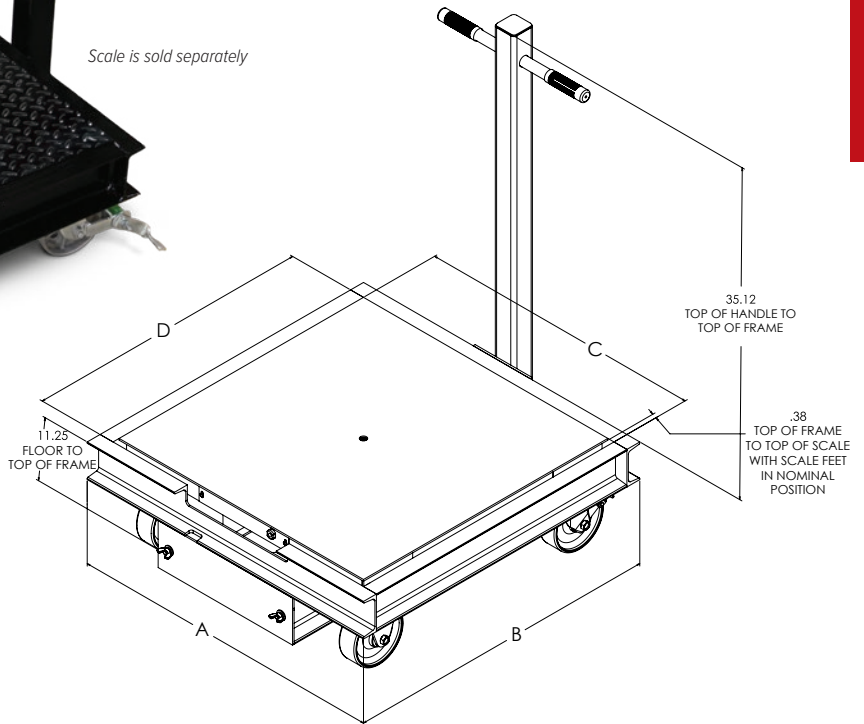
Caster Portability Frame	
<b>2.5 × 2.5 ft (1,000 to 5,000 lb)</b>	
A	33.92
B	33.92
C	30.75
D	30.75
<b>3 × 3 ft (1,000 to 5,000 lb)</b>	
A	39.92
B	39.92
C	36.75
D	36.75
<b>4 × 4 ft (1,000 to 5,000 lb)</b>	
A	51.92
B	51.92
C	48.75
D	48.75
<b>4 × 4 ft (10,000 lb)</b>	
A	51.92
B	51.92
C	48.75
D	48.75

Note: 1 in=25.4 mm





Scale is sold separately



FLOOR SCALES

### Standard Features

- Wireless connection from scale to operator display
- Works with any basic digital weight indicator
- Excitation to the load cell(s) provided by the transmitter, not the indicator
- Each transmitter/receiver set is individually paired and will not interfere with another set
- Transmitter excitation voltage: +4.8 VDC, 16 × 350 ohm or 32 × 700 ohm load cells

### Part Number/Price

Part #	Size (W × L)	Est. Weight	Price
<b>Roughdeck HP Caster Portability Frame</b>			
210902	2.5 × 2.5 ft, up to 5,000 lb capacity, two rigid forged steel caster on front, two swivel forged steel caster on back with drawer for SENDit, frame only	315 lb	\$2,395.00
210903	3 × 3 ft, up to 5,000 lb capacity, two rigid forged steel caster on front, two swivel forged steel caster on back with drawer for SENDit, frame only	330 lb	\$2,395.00
210904	4 × 4 ft, up to 5,000 lb capacity, two rigid forged steel caster on front, two swivel forged steel caster on back with drawer for SENDit, frame only	355 lb	\$2,395.00
210905	4 × 4 ft, up to 10,000 lb capacity, two rigid forged steel caster on front, two swivel forged steel caster on back with drawer for SENDit, frame only	355 lb	\$2,650.00
<b>SENDit Wireless Electronics Kit</b>			
210898	SENDit wireless load cell interface kit, non-NTEP, indicator not included (customer to supply)	-	\$2,870.00

### Options/Accessories

Part #	Description	Price
162173	Battery, 6V SLA	\$135.00

### Dimensions

Scale Size	2.5 x 2.5 ft	3 x 3 ft	4 x 4 ft
A	33.92 in	39.92 in	51.92 in
B	33.92 in	39.92 in	51.92 in
C	30.75 in	36.75 in	48.75 in
D	30.75 in	36.75 in	48.75 in

Note: 1 in=25.4 mm

# RoughDeck® HP

Caster SENDit Portability Frames, NTEP

FLOOR SCALES



Scale is sold separately

## Standard Features

- Wireless connection from scale to operator display
- Excitation to the load cell(s) provided by the transmitter, not the indicator
- Each transmitter/receiver set is individually paired and will not interfere with another set
- Transmitter excitation voltage: +4.8 VDC, 16 × 350 ohm or 32 × 700 ohm load cells
- Estimated battery life of 100 hours
- Two set -points with red/green display for operator verification
- Optional audible alarm

## Approvals



## Part Number/Price

Part #	Size (W × L)	Est. Weight	Price
<b>Roughdeck HP Caster Portability Frame</b>			
210902	2.5 × 2.5 ft, up to 5,000 lb capacity, two rigid forged steel caster on front, two swivel forged steel caster on back with drawer for SENDit, frame only	315 lb	\$2,395.00
210903	3 × 3 ft, up to 5,000 lb capacity, two rigid forged steel caster on front, two swivel forged steel caster on back with drawer for SENDit, frame only	330 lb	\$2,395.00
210904	4 × 4 ft, up to 5,000 lb capacity, two rigid forged steel caster on front, two swivel forged steel caster on back with drawer for SENDit, frame only	355 lb	\$2,395.00
210905	4 × 4 ft, up to 10,000 lb capacity, two rigid forged steel caster on front, two swivel forged steel caster on back with drawer for SENDit, frame only	355 lb	\$2,650.00
<b>SENDit Wireless Electronics Kit</b>			
210899	Sendit wireless load cell interface kit, NTEP, includes one 8004HD display	-	\$3,735.00

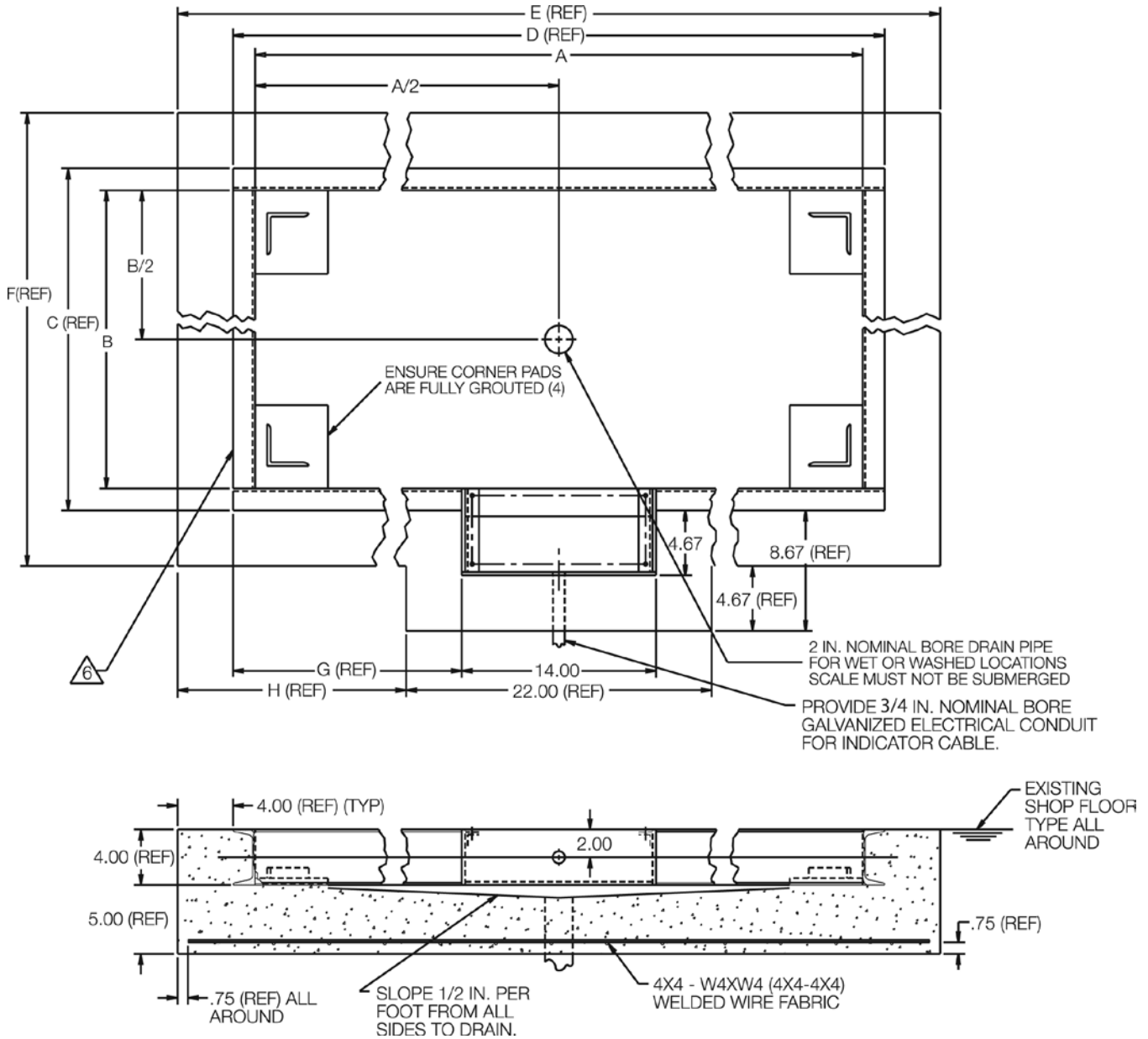
## Options/Accessories

Part #	Description	Price
162173	Battery, 6 V SLA	\$135.00

## Dimensions

Scale Size	2.5 x 2.5 ft	3 x 3 ft	4 x 4 ft
A	33.92 in	39.92 in	51.92 in
B	33.92 in	39.92 in	51.92 in
C	30.75 in	36.75 in	48.75 in
D	30.75 in	36.75 in	48.75 in

Note: 1 in=25.4 mm



### Dimensions

Scale Size	2.5 × 2.5 ft	3 × 3 ft	4 × 4 ft	5 × 5 ft	4 × 5 ft	4 × 6 ft	5 × 6 ft	5 × 7 ft
A	30.75	36.75	48.75	60.75	60.75	72.75	72.75	84.75
B	30.75	36.75	48.75	60.75	48.75	48.75	60.75	60.75
C	33.92	39.92	51.92	63.92	51.92	51.92	63.92	63.92
D	33.92	39.92	51.92	63.92	63.92	75.92	75.92	87.92
E	41.92	47.95	59.92	71.92	71.92	83.92	83.92	95.92
F	41.92	47.95	59.92	71.92	59.92	59.92	71.92	71.92
G	9.96	12.96	18.96	24.96	24.96	30.96	30.96	36.96
H	9.96	12.96	18.96	24.96	24.96	30.96	30.96	36.96

All dimensions are shown in inches. Drawing #S2944-Rev. D

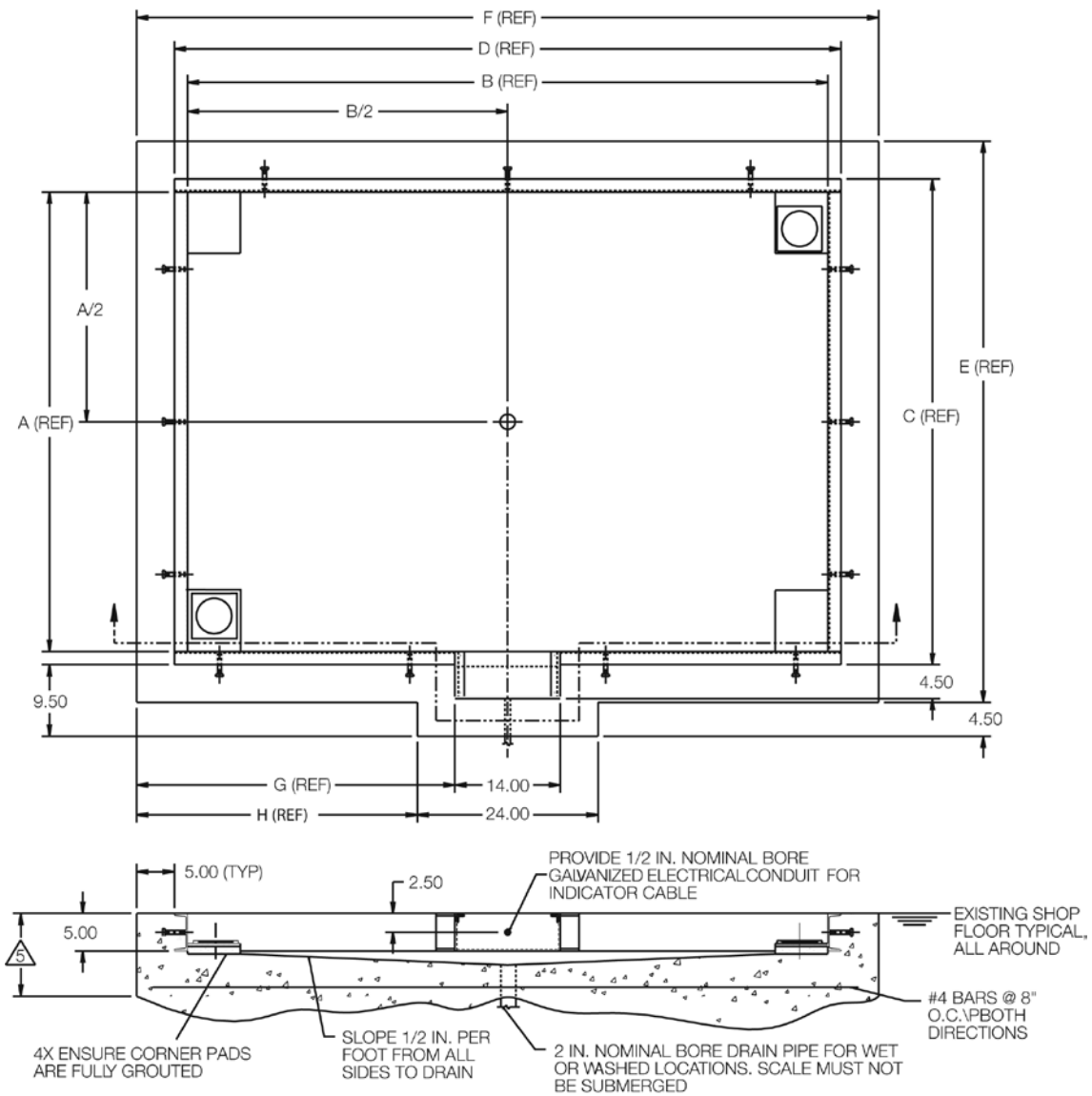
\* Drawings are for standard catalog part numbered scales.

1. Use concrete of minimum yield strength 5,000 PSI or 6-bag mix
  2. Allow 7 days to cure (wet concrete periodically during this time)
  3. Dimensions shown assume firm, stable soil conditions. When soil conditions are not adequate, place foundation at sufficient depth.
  4. In wet or washdown applications, we recommend the use of hermetically sealed load cells, and that junction box be mounted remotely in a dry location
  5. Wire mesh to have minimum 0.75 in cover bottom and sides
- ⚠ On stainless steel versions, two pieces of 2 in angle will be substituted for 4 in channel

# RoughDeck® HP-H

Pit Frame Concrete Details\* – 20,000 lb Capacity

FLOOR SCALES

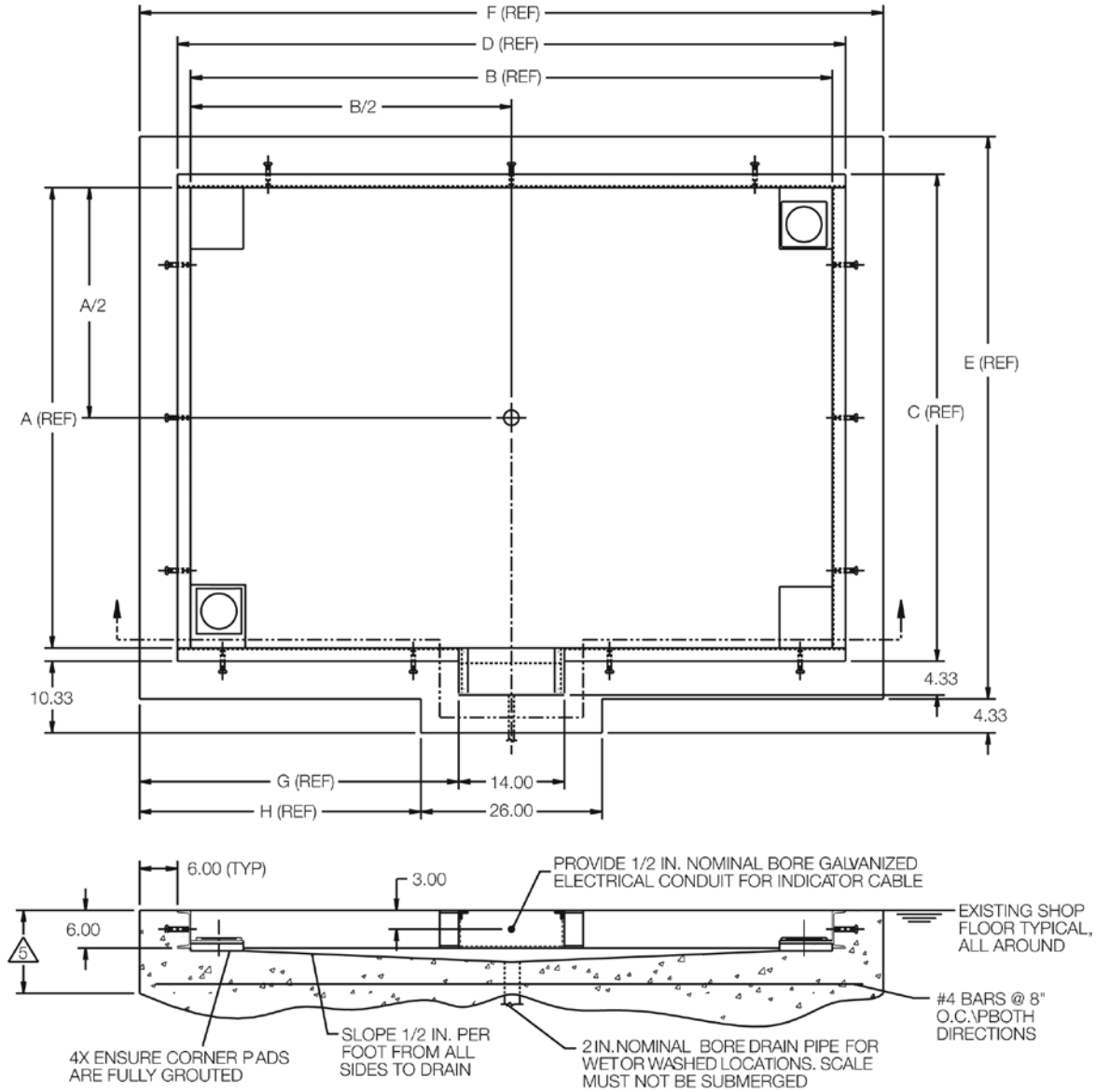


## Dimensions

Scale Size	4 × 4 ft	4 × 5 ft	4 × 6 ft	4 × 7 ft	5 × 5 ft	5 × 6 ft	5 × 7 ft	Scale Size	6 × 6 ft	6 × 7 ft	6 × 7 ft	7 × 9 ft	7 × 10 ft	8 × 10 ft
A	49.00	49.00	49.00	49.00	61.00	61.00	61.00	A	73.00	73.00	73.00	85.00	85.00	97.00
B	49.00	61.00	73.00	85.00	61.00	73.00	85.00	B	73.00	85.00	97.00	109.00	121.00	121.00
C	52.50	52.50	52.50	52.50	64.50	64.50	64.50	C	76.50	76.50	76.50	88.50	88.50	100.50
D	52.50	64.50	76.50	88.50	64.50	76.50	88.50	D	76.50	88.50	100.50	112.50	124.50	124.50
E	62.50	62.50	62.50	62.50	74.50	74.50	74.50	E	86.50	86.50	86.50	98.50	98.50	110.50
F	62.50	74.50	86.50	98.50	74.50	86.50	98.50	F	86.50	98.50	110.50	122.50	134.50	134.50
G	24.25	30.25	36.25	42.25	30.25	36.25	42.25	G	36.25	42.25	48.25	54.25	60.25	60.25
H	19.25	25.25	31.35	37.25	25.25	31.35	37.25	H	31.25	37.25	43.25	49.25	55.25	55.25

1. Use concrete of minimum yield strength 5,000 PSI or 6-bag mix
2. Allow 7 days to cure (wet concrete periodically during this time)
3. Before installing pit frame, ensure that proper sand (or soil) base is available under either existing concrete or new installation
4. In wet or washdown applications, we recommend use of hermetically sealed load cells, and that junction box be mounted remotely in a dry location
5. For required depth of slab, or rebar requirements specific to your application: proper engineering consultation is recommended

All dimensions are shown in inches. Drawing #S2944A-Rev. A  
 \* Drawings are for standard catalog part numbered scales.



## Dimensions

Scale Size	4 × 4 ft	5 × 4 ft	6 × 4 ft	7 × 4 ft	5 × 5 ft	6 × 5 ft	7 × 5 ft
A	49.00	49.00	49.00	49.00	61.00	61.00	61.00
B	49.00	61.00	73.00	85.00	61.00	73.00	85.00
C	52.84	52.84	52.84	52.84	64.84	64.84	64.84
D	52.84	64.84	76.84	88.84	64.84	76.84	88.84
E	64.84	64.84	64.84	64.84	76.84	76.84	76.84
F	64.84	76.84	88.84	100.84	76.84	88.84	100.84
G	25.42	31.42	37.42	43.42	31.42	37.42	43.42
H	19.42	25.42	31.42	37.42	25.42	31.42	37.42

Scale Size	6 × 6 ft	7 × 6 ft	8 × 6 ft	9 × 7 ft	10 × 7 ft	10 × 8 ft
A	73.00	73.00	73.00	85.00	85.00	97.00
B	73.00	85.00	97.00	109.00	121.00	121.00
C	76.84	76.84	76.84	88.84	88.84	100.84
D	76.84	88.84	100.84	112.84	124.84	124.84
E	88.84	88.84	88.84	100.84	100.84	112.84
F	88.84	100.84	112.84	112.84	136.84	136.84
G	37.42	43.42	49.42	55.42	61.42	61.42
H	31.42	37.42	43.42	49.42	55.42	55.42

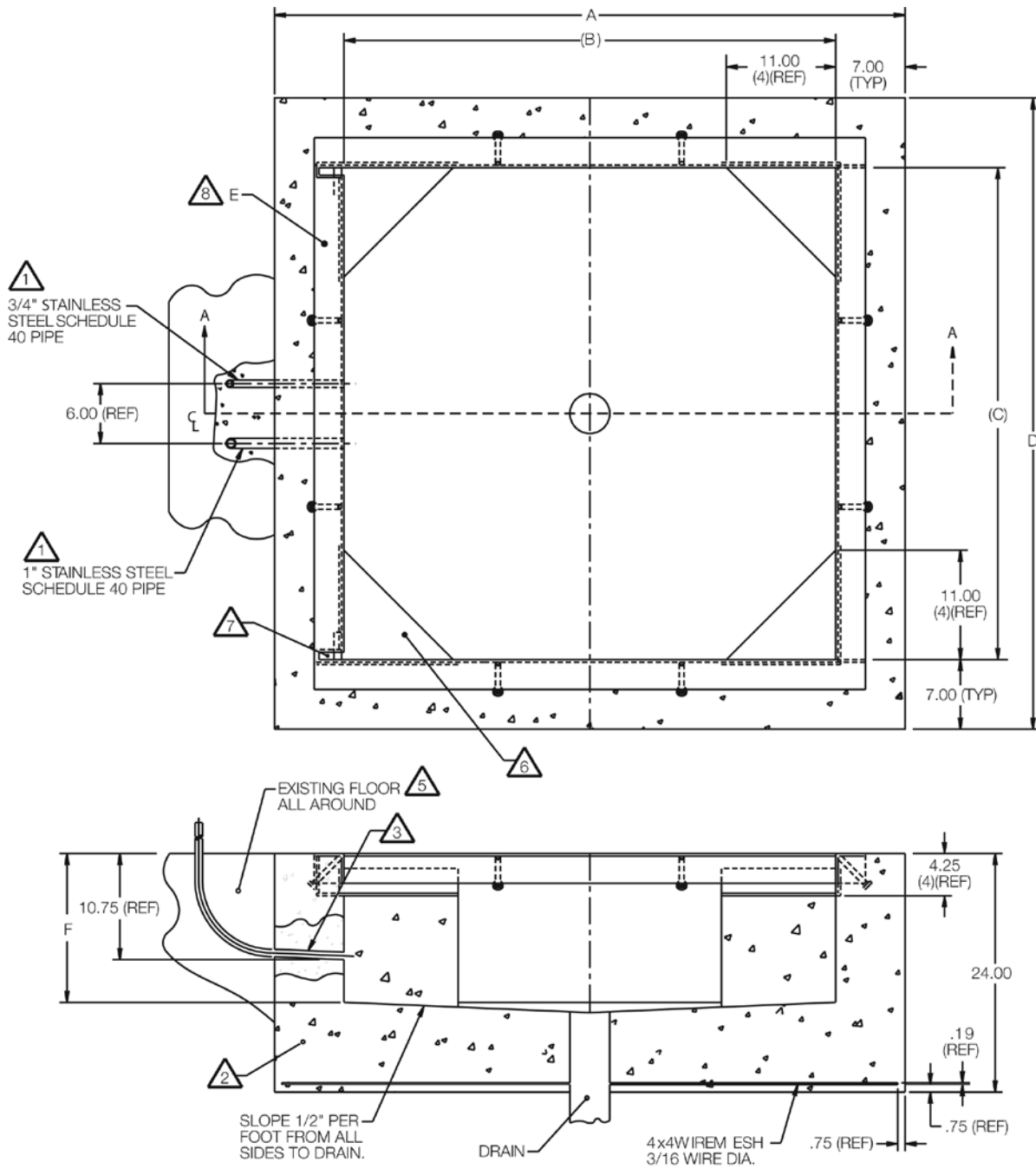
1. Use concrete of minimum yield strength 5,000 PSI or 6-bag mix
2. Allow 7 days to cure (wet concrete periodically during this time)
3. Before installing pit frame, ensure that proper sand (or soil) base is available under either existing concrete or new installation
4. In wet or washdown applications, we recommend the use of hermetically sealed load cells, and that junction box be mounted remotely in a dry location
5. For required depth of slab, or rebar requirements specific to your application: proper engineering consultation is recommended.

All dimensions are shown in inches. Drawing #S2944B-Rev. A  
 \* Drawings are for standard catalog part numbered scales.

# AutoLift HE

Pit Frame Concrete Details\*

FLOOR SCALES



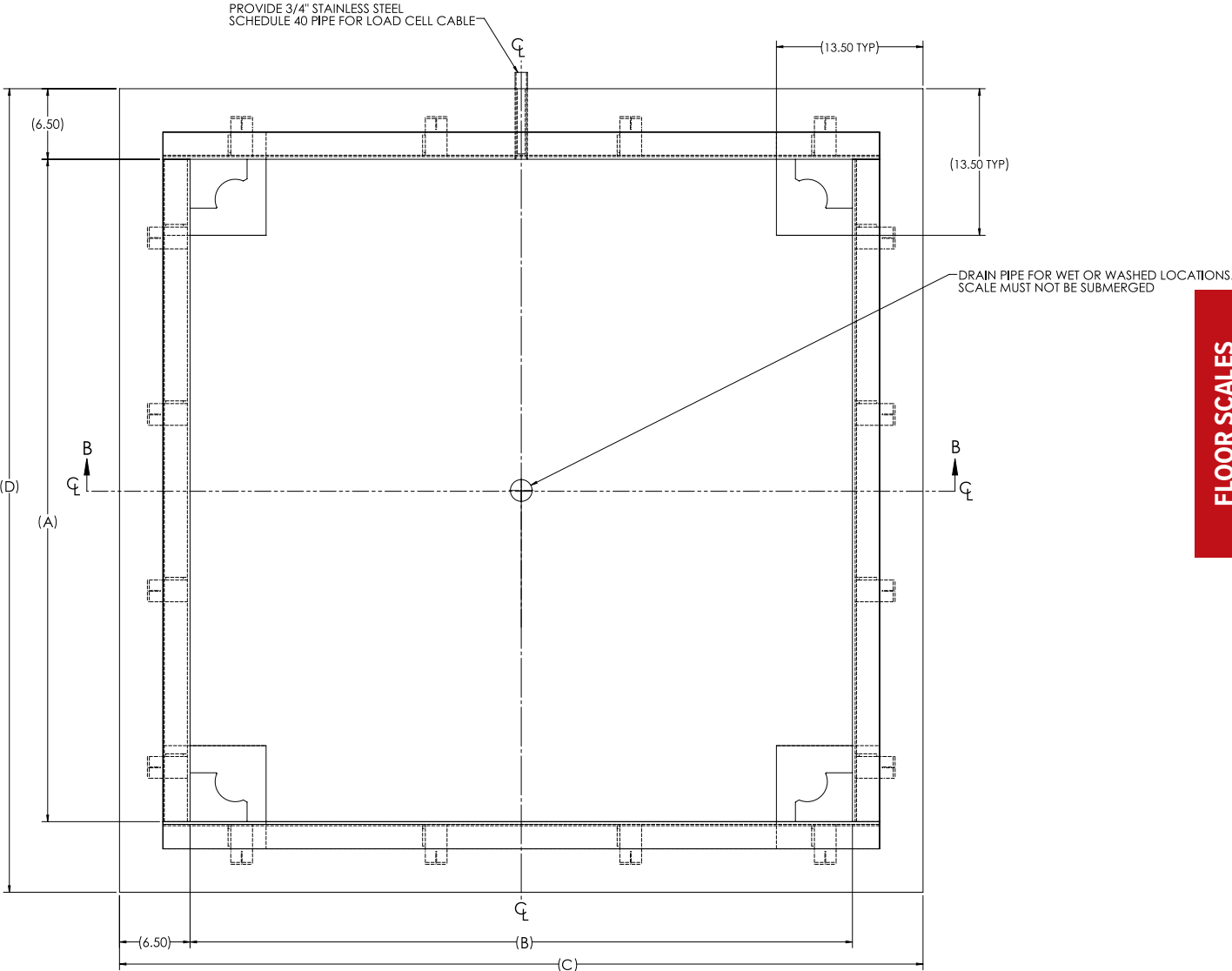
## Dimensions

Scale Size	4 x 4 ft	5 x 5 ft
A	63.06	75.06
B	49.06	61.06
C	49.00	61.06
D	63.00	75.00
E (PN)	41936	41397
F	15.00	16.75

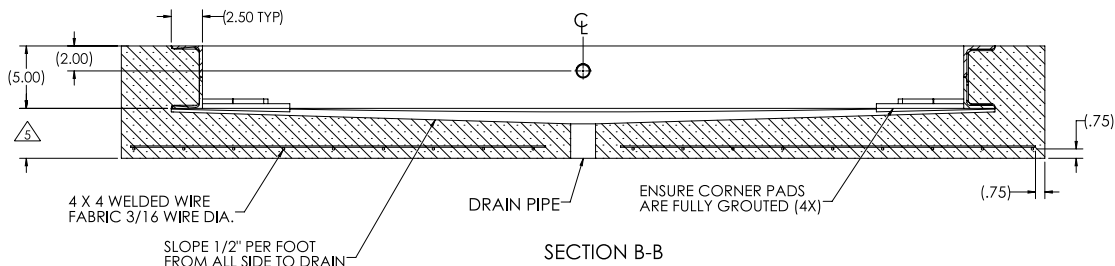
- ① Length of pipe is determined on site
- ② Use concrete of minimum yield strength 5,000 PSI or 6-bag mix
- ③ Slope pipe slightly for water drainage
- ④ Allow concrete 7 days to cure (wet concrete periodically during this time)
- ⑤ Tie pit in with existing floor with rebar if required
- ⑥ Ensure underside is supported with concrete or grout (plate is an integral part of frame)
- ⑦ Keep pocket free of concrete.
- ⑧ Coping must sit level in floor to allow proper operation of scale

All dimensions are shown in inches. Drawing #S5158-Rev. B.  
\* Drawings are for standard catalog part numbered scales.





**FLOOR SCALES**



**Dimensions**

Dimensions				
Scale Size	A	B	C	D
4 x 4 ft	49.00	49.00	62.00	62.00
5 x 5 ft	61.00	61.00	74.00	74.00

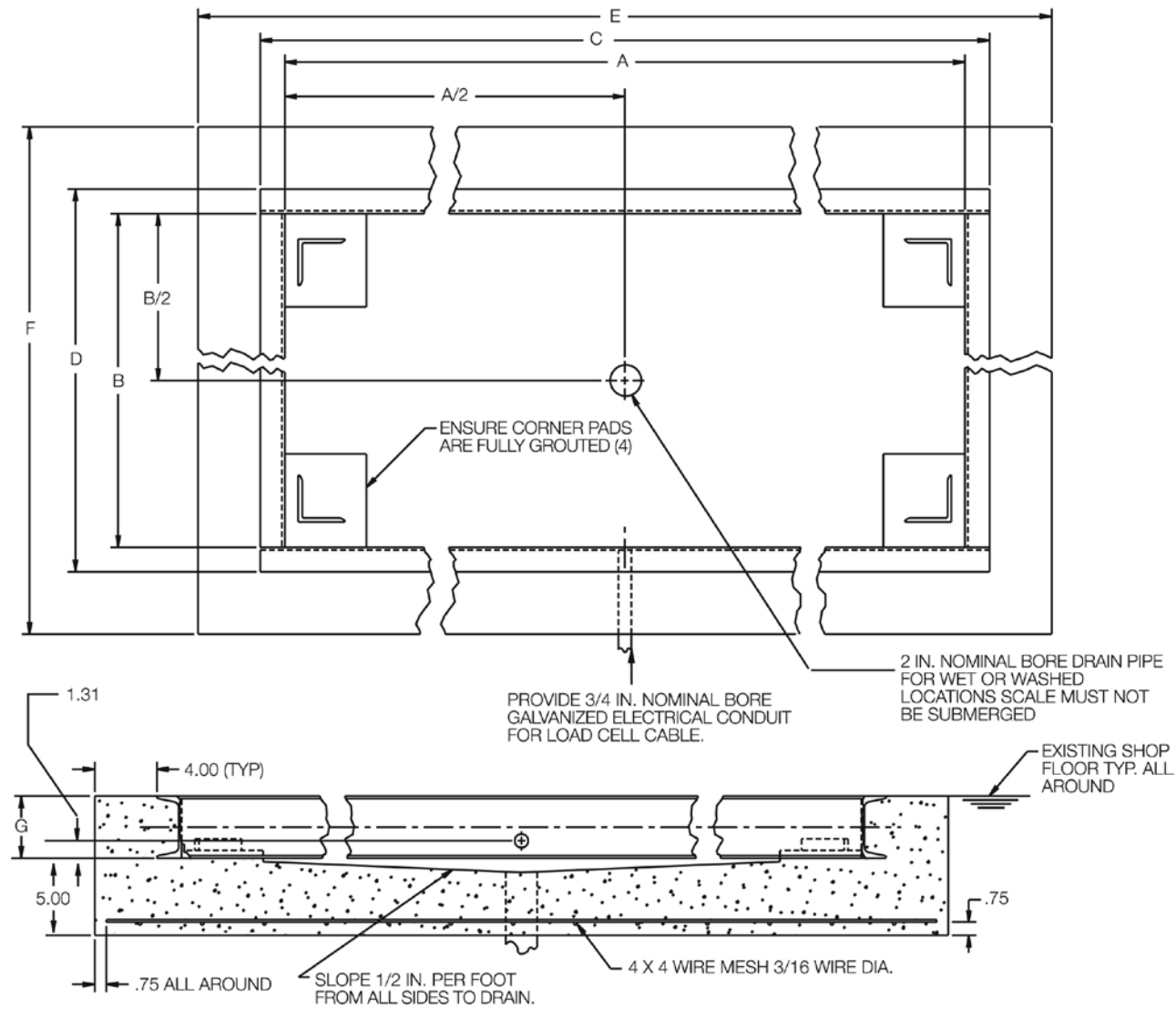
All dimensions are shown in inches.  
 \* Drawings are for standard catalog part numbered scales.

1. Use concrete of minimum yield strength 5,000 PSI or 6-bag mix
  2. Allow 7 days to cure (wet concrete periodically during this time)
  3. Before installing pit frame, ensure that proper sand (or soil) base is available under either existing concrete or new installation
  4. In wet or washdown applications, we recommend the use of hermetically sealed load cells
- ⚠ For required depth of slab, or rebar requirements specific to your application, proper engineering consultation is recommended

# RoughDeck® QC

Pit Frame Concrete Details\*

FLOOR SCALES



## Dimensions

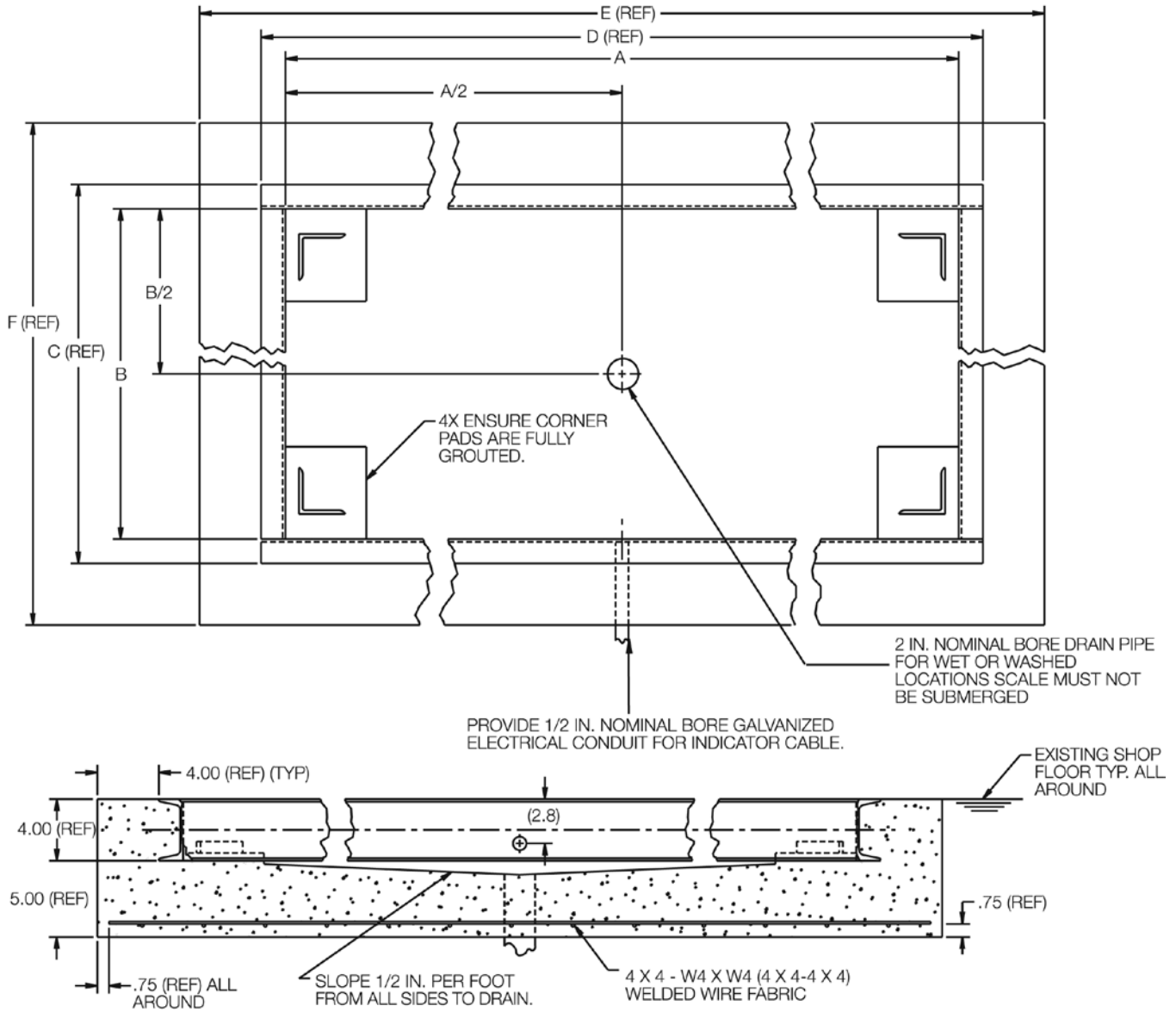
Scale Size	A	B	C	D	E	F	G
2.5 x 2.5 ft - 2,000 lb	30.75	31.00	34.75	35.00	42.75	43.00	4.00
3 x 3 ft - 2,000 lb	36.75	37.00	40.75	41.00	48.75	49.00	4.00
4 x 4 ft - 2,000 lb	48.75	49.00	52.75	53.00	60.75	61.00	4.00
4 x 4 ft - 5,000 lb	48.75	49.00	52.75	53.00	60.75	61.00	4.00
4 x 4 ft - 10,000 lb	48.75	49.00	53.75	54.00	61.75	62.00	5.00
4 x 5 ft - 2,000 lb	60.75	49.00	64.75	53.00	72.75	61.00	4.00
4 x 5 ft - 5,000 lb	60.75	49.00	65.75	54.00	73.75	62.00	5.00
4 x 5 ft - 10,000 lb	60.75	49.00	65.75	54.00	73.75	62.00	5.00
4 x 6 ft - 2,000 lb	72.75	49.00	77.75	54.00	85.75	62.00	5.00

Scale Size	A	B	C	D	E	F	G
4 x 6 ft - 5,000 lb	72.75	49.00	77.75	54.00	85.75	62.00	5.00
4 x 6 ft - 10,000 lb	72.75	49.00	78.75	55.00	86.75	63.00	6.00
5 x 5 ft - 2,000 lb	60.75	61.00	65.75	66.00	73.75	74.00	5.00
5 x 5 ft - 5,000 lb	60.75	61.00	65.75	66.00	73.75	74.00	5.00
5 x 5 ft - 10,000 lb	60.75	61.00	65.75	66.00	73.75	74.00	5.00
5 x 7 ft - 2,000 lb	84.75	61.00	90.75	67.00	98.75	75.00	6.00
5 x 7 ft - 5,000 lb	84.75	61.00	90.75	67.00	98.75	75.00	6.00
5 x 7 ft - 10,000 lb	84.75	61.00	90.75	67.00	98.75	75.00	6.00
6 x 6 ft - 5,000 lb	72.75	73.00	78.75	79.00	86.75	87.00	6.00
6 x 6 ft - 10,000 lb	72.75	73.00	78.75	79.00	86.75	87.00	6.00

All dimensions are shown in inches. Drawing #S6360A-Rev. D

\* Drawings are for standard catalog part numbered scales.

1. Use concrete of minimum yield strength 5,000 PSI or 6-bag mix
2. Allow 7 days to cure (wet concrete periodically during this time)
3. Dimensions shown assume firm, stable soil conditions. When soil conditions are not adequate, place foundation at sufficient depth.
4. In wet or washdown applications, we recommend the use of hermetically sealed load cells, and that the junction box be mounted remotely in a dry location.
5. Wire mesh to have minimum 0.75 in cover bottom and sides.



Dimensions

Scale Size	3 x 3 ft	4 x 4 ft	4 x 5 ft	4 x 6 ft	5 x 5 ft
A	36.75	48.75	60.75	72.75	60.75
B	36.75	48.75	48.75	48.75	60.75
C	39.92	51.92	51.92	51.92	63.92
D	39.92	51.92	63.92	75.92	63.92
E	47.92	59.92	71.92	83.92	71.92
F	47.92	59.92	59.92	59.92	71.92

All dimensions are shown in inches. Drawing #S77687.  
\* Drawings are for standard catalog part numbered scales.

1. Use concrete of minimum yield strength 5,000 PSI or 6-bag mix
2. Allow 7 days to cure (wet concrete periodically during this time)
3. Dimensions shown assume firm, stable soil conditions. When soil conditions are not adequate, place foundation at sufficient depth.
4. In wet or washdown applications, we recommend the use of hermetically sealed load cells and that the junction box be mounted remotely in a dry location
5. Wire mesh to have minimum 0.75 in cover bottom and sides



# Forklift / Pallet Jack Scales

---

## TABLE OF CONTENTS

<b>CLS Series</b> .....	<b>414</b>
<i>Forklift Scale</i>	
<b>CLS-680</b> .....	<b>417</b>
<i>Forklift Scale Display</i>	
<b>CLS-920i®</b> .....	<b>418</b>
<i>Forklift Scale Display</i>	
<b>VIRTUj®3</b> .....	<b>419</b>
<i>PC-Based Program for CLS Series Forklift Scale</i>	
<b>RL-HPJ</b> .....	<b>420</b>
<i>Hand Pallet Jack Scale</i>	

*Product names, logos, brands and other trademarks featured or referred to within this publication are the property of their respective trademark holders.*

# CLS Series

Forklift Scale



## Approvals



Measurement  
Canada  
Approved

## Part Number/Price

Part #	Capacity	Forklift Compatibility	Est. Weight	Price
<b>Class II, CLS-680, NTEP Certified</b>				
201300	5,000 lb × 5 lb	34 in W, 16 in H forklift carriage (36 in W with flexures) 9 to 36 VDC	530 lb	\$9,140.00
201302	5,000 lb × 5 lb	34 in W, 16 in H forklift carriage (36 in W with flexures) 9 to 36 VDC, cableless	545 lb	\$10,990.00
<b>Class II, CLS-920i, NTEP Certified</b>				
162282	5,000 lb × 5 lb	34 in W, 16 in H forklift carriage (36 in W with flexures) 10 to 60 VDC	540 lb	\$9,980.00
171809	5,000 lb × 5 lb	34 in W, 16 in H forklift carriage (36 in W with flexures) 10 to 60 VDC, cableless	565 lb	\$11,830.00
<b>Class II, VIRTUI<sup>3</sup> M Series, NTEP Certified</b>				
194714**	5,000 lb × 5 lb	34 in W, 16 in H forklift carriage (36 in W with flexures)	525 lb	\$8,470.00
<b>Class II, VIRTUI<sup>3</sup> IM Series</b>				
191748**	5,000 lb × 5 lb	34 in W, 16 in H forklift carriage (36 in W with flexures)	525 lb	\$9,020.00
<b>Class II, CLS-680 with Mobile Printer, NTEP Certified</b>				
207505	5,000 lb × 5 lb	34 in W, 16 in H forklift carriage (36 in W with flexures) with Zebra ZQ630 Printer, wired, 12 to 24 VDC	545 lb	\$11,270.00
206446	5,000 lb × 5 lb	34 in W, 16 in H forklift carriage (36 in W with flexures) with Zebra ZQ630 printer, 12 to 24 VDC, cableless	570 lb	\$13,100.00
<b>Class II, CLS-680 with Measurement Canada Approval</b>				
214091	4,500 lb × 5 lb	34 in W, 16 in H forklift carriage (36 in W with flexures), 9 to 36 VDC	530 lb	\$9,140.00
<b>Class II, CLS-920i with Measurement Canada Approval</b>				
215114	4,500 lb × 5 lb	34 in W, 16 in H forklift carriage (36 in W with flexures) 10 to 60 VDC	555 lb	\$9,980.00

## Part Number/Price

<b>Class III, CLS-680 Not NTEP Certified</b>				
212521	8,000 lb × 5 lb	38 in W, 20 in H forklift carriage, 9 to 36 VDC	985 lb	\$12,640.00
214092	8,000 lb × 5 lb	38 in W, 20 in H forklift carriage, 9 to 36 VDC, cableless	990 lb	\$14,490.00
<b>Class III, CLS-920 Not NTEP Certified</b>				
219975	8,000 lb × 5 lb	38 in W, 20 in H forklift carriage, 10 to 60 VDC	990 lb	\$13,480.00
214093	8,000 lb × 5 lb	38 in W, 20 in H forklift carriage, 10 to 60 VDC, cableless	1,005 lb	\$15,330.00

\*\*Weight indication device (PC/tablet) is not included; consult factory to verify compatibility with your device

## Standard Features

### Scale Carriage

- 28 in (Class II), 5,000 × 5 lbs, NTEP Certified
- 34 in (Class II), 5,000 × 5 lbs, NTEP Certified
- 38 in (Class III), 8,000 × 5 lbs, non-NTEP
- 1-1/2 in thick front and back painted steel plates coupled by four flexures
- Top cleats are welded, pinned and bolted
- Welded centering pin
- Two 5,000 lb s-beam load cells
- iQUBE<sup>2</sup>® junction box with inclinometer
- Molded coiled cable, up to 15 ft uncoiled

### Presale Requirements

- Provide completed forklift questionnaire for quotation
- Compatible with most Class II and Class III forklift attachments, consult factory

### Installation Recommendations

- When installing a forklift scale on an electric forklift, static discharge protection must be present on the forklift and install a chassis mount power conditioner to protect scale electronics.
- When installing a forklift scale, OSHA requires the end user to de-rate the lift capacity of the forklift.

## Specifications

### Warranty:

Two-year limited

### Approvals:

NTEP 06-074

Measurement Canada AM-5893



## CLS Indicator

### CLS-680 (page 417)

The CLS-680 was designed from the ground-up specifically for forklift applications. With a machined aluminum anodized enclosure, the CLS-680 is ideal for demanding, general-purpose forklift applications. Its compact size is attached with a RAM® mount for flexible positioning and minimal obstruction. Additional features include rounded corners, vibration protection and surge suppression.

- Six-digit, seven-segment LED display
- Battery backed time & date
- On/Off power switch
- 9 to 36 VDC power supply
- Cabled or cableless
- RS-232 serial port
- Wi-Fi
- Bluetooth®

## Cableless

The cableless option removes the coiled communications/power cable between the scale and the indicator. A rechargeable battery is secured to the scale and it powers the scale and the paired wireless modules provide communication.

- 802.15 wireless interface
- Lithium-ion battery and charger
- On/Off power switch
- Battery life: 24 hours of constant use
- Battery recharge time: 8 hours to fully recharge
- Reinforced battery box welded to top cover

## CLS Indicator

### CLS-920i (page 418)

The CLS-920i incorporates the flexibility, intelligence and programmability of the 920i in a smaller enclosure with a DC power supply for use on forklifts. The standard program offers weight indication, configuration, calibration and diagnostics specific to the CLS. Customize it for your application with an optional user program.

- Painted mild steel enclosure
- Backlit graphical LCD display
- Battery backed time and date
- On/Off power switch
- 10 to 60 VDC power supply
- Cabled or cableless
- Two available RS-232 ports for added options
- Optional Wi-Fi
- Optional Bluetooth®

## Wi-Fi

Wi-Fi is a standard feature for the CLS-680 and is available as a factory installed option for the CLS-920i.

- Wireless LAN card 802.11 b/g
- Range: Up to 328 ft indoors
- Operating frequency: ISM 2.4 GHz

## CLS Virtual Solution

### VIRTUi<sup>3</sup> (page 419)

Weight data is displayed on a device using VIRTUi<sup>3</sup> software, creating a virtual indicator. The CLS connects to your device using RS-232, USB or Bluetooth®. Choose between the CLS-M or CLS-IM configuration for static or in-motion use.

- Weight indication device (PC/tablet) is not included
- Consult factory to verify compatibility with your device
- Bluetooth® connection available
- USB connection available

## Bluetooth®

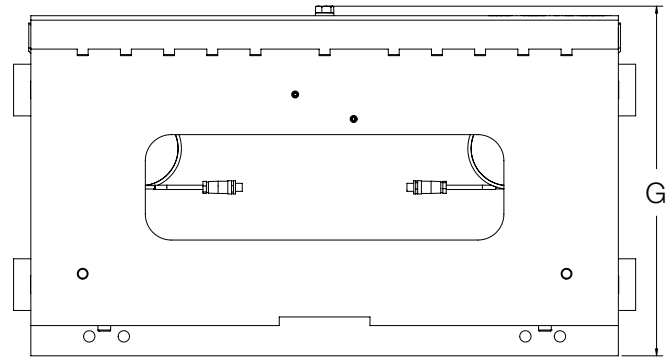
Bluetooth® communication is a standard feature for the CLS-680 and is available as an external option for the CLS-920i. It is also available in a communications/power box for the virtual solution.

# CLS Series

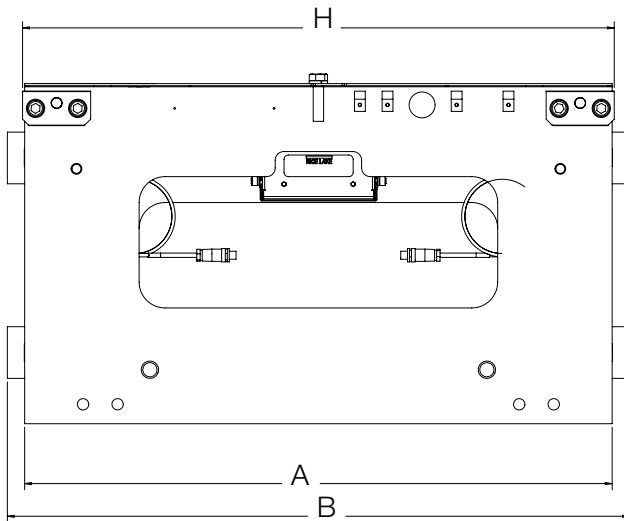
Forklift Scale

## Dimensions

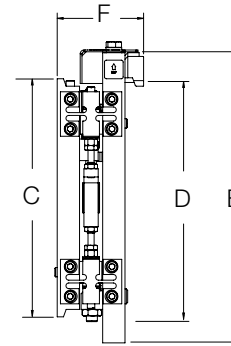
CLS Class II			
28 in, 5,000 lb			
A	28.00 in (711 mm)	E	19.50 in (495 mm)
B	30.00 in (762 mm)	F	4.49 in (114 mm)
C	16.00 in (406 mm)	G	21.80 in (554 mm)
D	16.29 in (414 mm)	H	28.24 in (717 mm)
34 in, 5,000 lb			
A	34.00 in (864 mm)	E	19.50 in (495 mm)
B	36.00 in (914 mm)	F	4.49 in (114 mm)
C	16.00 in (406 mm)	G	21.80 in (556 mm)
D	16.29 in (413 mm)	H	34.24 in (870 mm)
38 in, 8,000 lb			
A	38.00 in (965 mm)	E	24.50 in (622 mm)
B	40.00 in (622 mm)	F	6.04 in (153 mm)
C	20.00 in (508 mm)	G	26.68 in (678 mm)
D	20.15 in (512 mm)	H	38.00 in (965 mm)



Rear view



Front view



Side view

FORKLIFT /  
PALLET JACK SCALES

## Forklift Capacity Derating

During the initial scale installation, remind the customer that they must have an updated ID plate on the forklift stating the new lifting capacity and center of gravity information. This is required per OSHA rules and regulations.

	28 Inch	34 Inch	38 Inch
Vertical center of gravity (VCG) of scale =	8.06	8.06	10.15
Horizontal center of gravity (HCG) of scale =	2.09	2.09	2.83
Effective thickness (ET) of scale =	4.55	4.55	6.06
Weight of scale =	392	420	987

Replacement for  
CLS-420

# CLS-680

Forklift Scale Display



## Standard Features

- LED display
- Battery backed time and date
- Full numeric keypad
- Numeric keyed entry allowed for tare
- Formattable tickets
- CLS user modes
- Machined aluminum enclosure with rounded corners
- Wi-Fi standard
- Bluetooth® standard
- Embedded antenna
- RAM® style mount ability
- M16 connector, CLS scale connection
- M12 connector, RS-232
- Power cable connector
- PreVent™ breather vent
- Illuminated power switch

## Options

- Cableless interface to CLS with Zigbee module
- RAM style mounts
- Molded M12 serial cables

## Specifications

### Power:

DC voltages: 9 to 36 VDC

### Communication Ports:

Two RS-232 full duplex, one reserved for CLS  
Bluetooth® SSP  
Wi-Fi: Wireless 802.11 b/g/n 2.5 GHz  
Zigbee, reserved for CLS cableless option

### Annunciators:

10 LED

### Display:

Six-digit, 0.5 in tall, seven-segment digits

### Keys/Buttons:

Flat membrane panel, tactile feel (18 buttons)

### Temperature Range:

Certified: 14 °F to 104 °F (-10 °C to 40 °C)  
Industrial: 14 °F to 122 °F (-10 °C to 50 °C)

### Dimensions:

(L × W × H)  
6.5 × 5.2 × 3.3 in  
(165 × 132 × 84 mm)

### Estimated Weight:

3.7 lb (1.7 kg)

### Material:

Machined aluminum enclosure, anodized finish

### EMC Immunity:

EN 50082 Part 2 IEC 61000-4-2,3,4,5,6,8 and 11

### Warranty:

Two-year limited

### Approvals:

NTEP 21-092, Class III/IIIL, 5,000d

## Approvals

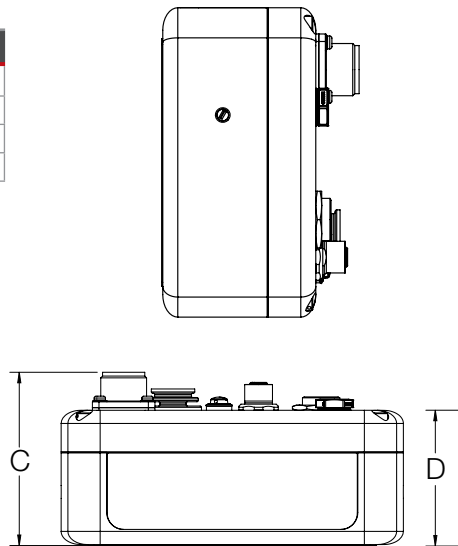
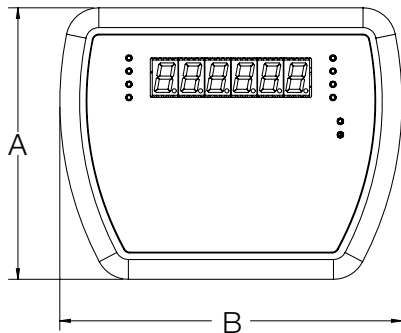


## Part Number/Price

Part #	Description	Price
206439	CLS-680 indicator 9 to 36 VDC	\$1,310.00
204239	CLS-680 indicator 18 to 72 VDC	\$1,560.00

## Dimensions

CLS-680	
A	5.2 in (132 mm)
B	6.5 in (165 mm)
C	3.3 in (84 mm)
D	2.5 in (64 mm)



FORKLIFT /  
PALLET JACK SCALES

# CLS-920i®

Forklift Scale Display



## Approvals



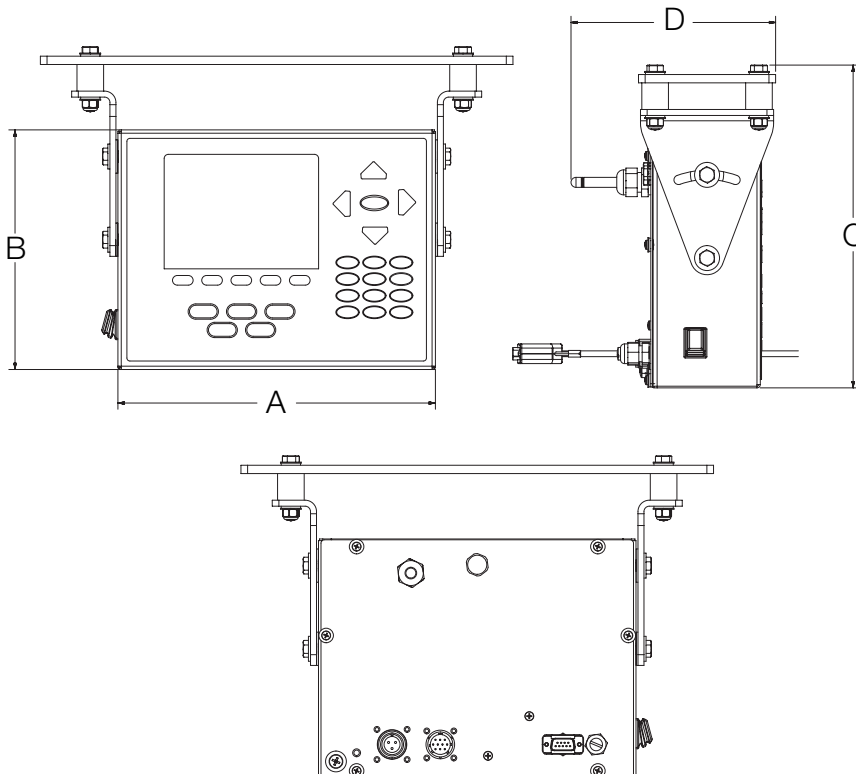
Measurement  
Canada  
Approved

## Part Number/Price

Part #	Description	Price
162117	CLS-920i indicator with mounting brackets 10 to 60 VDC	\$2,550.00

## Dimensions

CLS-920i	
A	9.54 in (242 mm)
B	7.20 in (183 mm)
C	9.71 in (247 mm)
D	5.82 in (148 mm)



## Standard Features

- LCD display
- Standard program
  - Weight indication
  - Configuration
  - Calibration
  - Diagnostics
- Front panel calibration
- On/Off switch to conserve forklift battery life
- Painted mild steel enclosure
- Two -piece top cage indicator mounting assembly with vibration mounts
- Two available RS-232 ports for added options of scanner, Wi-Fi or printer
- 10 to 60 VDC power supply for use on gas powered or electric forklifts

*Note: For custom user program, please contact the factory*

## Specifications

### Power:

Line voltage: 10 to 60 VDC, DC input

### Power Consumption:

1.5 A max fused at 5.0

### Temperature Range:

Certified: 14 °F to 104 °F (-10 °C to 40 °C)

Operating: 14 °F to 122 °F (-10 °C to 50 °C)

### Wireless LAN Option:

Contains FCC ID: R68WIPORATG

Range: Up to 328 ft indoors

Operating frequency: ISM 2.4 GH

### Warranty:

Two-year limited

### Approvals:

NTEP 06-074, 5,000 lb only, Class III, 1,000d

Measurement Canada AM-5893, Class III



### Standard Features

- Virtual front panel consists of display and two or three button keypad
- Printer port configuration, serial or TCP/IP
- Provides CLS configuration screen
- Supports CLS diagnostics
- Weight indication screen
- Weight display
- Zero, print and in-motion clear buttons
- Capacity, resolution, units, motion and center of zero status annunciators
- Unit ID
- Configuration, calibration and diagnostics menus
- VIRTU<sup>i</sup> Mini minimized weight display screen

### Specifications

#### Minimum System Requirements:

Windows® 8.1 or greater  
 Serial port connection to CLS Series forklift scale  
 Additional serial ports are required for connections to printers/remote displays 100 MB space needed  
 8 GB or greater RAM

#### Annunciators:

Units, capacity, resolution, motion, center of zero

#### Approvals:

NTEP 04-058

### Approvals



### Part Number/Price

Part #	Description	Price
188745	VIRTU <sup>i</sup> software	\$495.00

# RL-HPJ

Hand Pallet Jack Scale



## Standard Features

- Steering wheels and double loading polyurethane rollers
- Four stainless steel IP68 load cells
- Weight indicator in IP65 stainless steel water-resistant enclosure
- Configuration, calibration and diagnostics from keyboard
- Rechargeable battery mounted on the pallet jack
- Zero and tare functions
- Net/Gross and lb/kg conversion
- Accumulation
- Formulation
- +/- Checkweighing
- Percentage weighing
- Counting (Max. resolution of 1,500,000 divisions)
- Peak hold
- Includes a 115 VAC 50/60 Hz battery charger

## Specifications

### Battery Life:

80 hours of continuous use or one month of non-continuous use

### Display:

1 in (25 mm) LCD display high contrast digits

### Capacity:

Maximum lifting capacity 5,000 lb

### Accuracy:

± 0.1% of the maximum capacity

### Keys/Buttons:

17 functional keys

### Operating Temperature:

14 °F to 104 °F (-10 °C to 40 °C)

### Material:

Heavy-gauge steel with a durable powder coat finish

### Fork Dimensions:

48.75 × 26.75 × 3.125 in  
(1240 × 680 × 80 mm)

### Weight:

Approx. 360 lb (163 kg)

## Part Number/Price

Part #	Description	Est. Weight	Price
183592	Pallet jack scale RL-HPJ, 5,000 × 1 lb	360 lb	\$2,495.00
220672	Pallet jack scale, RL-HPJ, 5,000 × 1 lb, with printer	365 lb	\$2,920.00

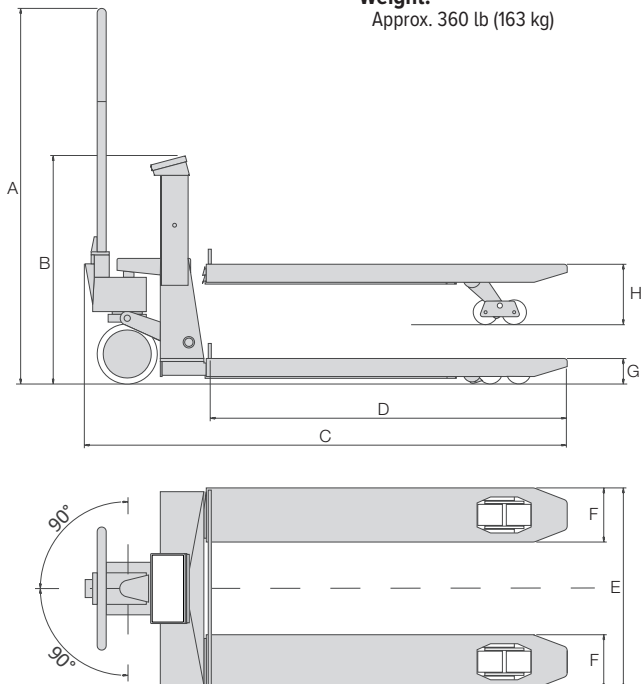
## Options/Accessories

Part #	Description	Price
215143	Power supply, 7.2VDC, 3A SLA battery charger	\$132.00
215142	Battery, rechargeable	\$158.00
182053	Printer paper roll, 57 mm × 30 m, 12 mm core 51 mm OD	\$3.00

NOTE: See replacement parts page to detail correct part numbers for previous generations

## Dimensions

RL-HPJ			
A	47.25 in (1,200 mm)	E	26.75 in (680 mm)
B	30.00 in (762 mm)	F	7.00 in (178 mm)
C	64.25 in (1,631 mm)	G	3.125 in (79 mm)
D	45.25 in (1,149 mm)	H	7.75 in (197 mm)



FORKLIFT /  
PALLET JACK SCALES



# Hanging Scales

---

**TABLE OF CONTENTS**

**On-site OS-10/OS-25/OS-45 ..... 422**

*Suspended Scale*

**HANGING SCALES**

*Product names, logos, brands and other trademarks featured or referred to within this publication are the property of their respective trademark holders.*

# On-site OS-10/OS-25/OS-45

Suspended Scale



Sturdy steel closed loop s-hook for safety

Carrying case

Model OS-10/25/45

## Standard Features

- Hold function
- Units of measure: lb/lb-oz/kg
- Adjustable automatic shut-off
- Ergonomic handheld design
- Battery operated, two AA batteries (included)
- Carrying case and top s-hook (included)
- Captured lower hook, removable upper hook (both hooks included)

## Specifications

### Capacity:

**OS-10:**  
 22 lb × 0.02 lb  
 22 lb × 0.25 oz  
 10 kg × 0.01 kg

**OS-25:**  
 55 lb × 0.05 lb  
 55 lb × 0.5 oz  
 25 kg × 0.02 kg

**OS-45:**  
 99 lb × 0.1 lb  
 99 lb × 1 oz  
 45 kg × 0.05 kg

### Power:

Two AA batteries (included)

### Operating Temperature:

32 °F to 104 °F (0 °C to 40 °C)

### Warranty:

One-year limited

### Approvals:

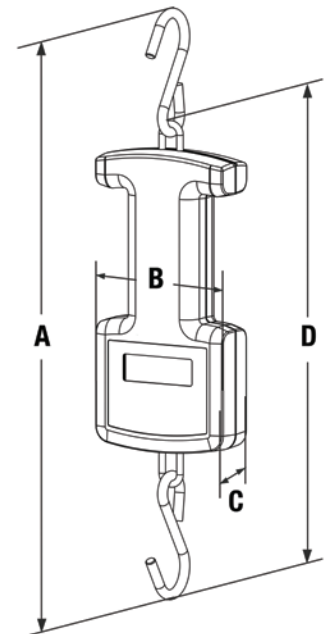
CE Approved

Approvals



## Part Number/Price

Part #	Model	Capacity	Est. Weight	Price
130292	OS-10	10 kg × 0.01 kg (22 lb × 0.02 lb) (22 lb × 1/4 oz)	1.25 lb	\$95.00
130293	OS-25	25 kg × 0.02 kg (55 lb × 0.05 lb) (55 lb × 1/2 oz)	1.25 lb	\$95.00
130294	OS-45	45 kg × 0.05 kg (99 lb × 0.1 lb) (99 lb × 1 oz)	1.25 lb	\$95.00



## Dimensions

	Inches	Centimeters
A	14.3	36.3
B	3.6	9.2
C	1.3	3.2
D	11.6	29.4

HANGING SCALES



# Hardware and Accessories

## TABLE OF CONTENTS

Load Cell Mounting Hardware Safety Guidelines.....	424	Summit® 3000 Scale Base .....	438	Mechanical Scale Tickets .....	450
Mounting Assembly Component Identification.....	425	Floor Scale Base .....	438	<i>Create Your Own Custom Ticket</i>	
Jam Nuts .....	425	Complete Custom Cable Services .....	439	Printer Dust Covers.....	450
Eye Nuts.....	426	EL147, 6 Wire .....	440	Printer Cables .....	451
Clevis Mount Assemblies .....	426	<i>Standard Load Cell Cable</i>		Static Brushes .....	452
Coupling Nuts .....	426	EL147RP Plus, 6 Wire .....	440	Ionizing Strips.....	452
Load Cell Eye Bolts .....	427	<i>Rodent Protection Load Cell Cable</i>		Desiccants .....	452
Rod End Ball Joints.....	428	EL147HE, 6 Wire .....	441	Crimper and Lead Seals .....	452
Connecting Links.....	428	<i>Hostile Environment Load Cell Cable</i>		Ionizing Strip Accessories .....	452
Load Cell Isolators.....	429	EL147IS, 6 Wire.....	441	Industrial Corrosion Inhibitor.....	452
Threaded Adapters.....	429	<i>Hazardous Environment Blue Jacket Load Cell Cable</i>		Static Control Table Mat and Floor Mat .....	453
ITCM Hardware Kits.....	430	EL146, 4 Wire .....	442	Static Control Wrist Strap.....	453
Grounding Strap.....	431	<i>Standard Load Cell Cable</i>		Static Shielding Bags .....	453
Ball Bearings.....	431	EL146HE, 4 Wire .....	442	Static-Safe Service Kit.....	453
Load Receiver Plate.....	431	<i>Hostile Environment Load Cell Cable</i>		Rice Lake's Scale Technician Kits.....	454
Load Cups.....	431	Fiber-Optic Cable.....	443		
Wire Rope Assemblies .....	432	EL144 Communications Cable .....	443		
Cardinal® Wire Rope Assemblies .....	432	BCD Cable .....	443		
Custom Wire Ropes .....	432	SURVIVOR® EL620HE .....	444		
Custom Wire Rope Definition Form.....	433	<i>High Temperature Cable</i>			
Spherical Washer Sets.....	434	EL148HE Mettler Toledo® .....	444		
Load Cell Spacers.....	434	<i>Replacement Power Cell Cable</i>			
Load Button.....	434	Mettler Toledo® Power Cell® .....	444		
Weldless End Links.....	434	<i>Homerun Cable</i>			
Load Button Insert Kit .....	435	SURVIVOR® Cable Armor .....	444		
Flintec® Adjustable Rubber Foot .....	435	Cord Grip Assemblies .....	445		
Bench Scale Feet .....	435	EL214 Cable Splicing Kit.....	445		
Surefoot® .....	435	Load Cell Conduit Adapters .....	445		
Polyurethane Rubber Leveling Feet.....	436	EL214T Cable Splicing Kit .....	446		
Captured Ball Floor Scale Leveling Feet.....	436	EL215 Cable Splicing Kit.....	446		
Leveling Mount.....	437	Flintec™ Load Cell Cable .....	446		
Leveling Pads.....	437	<i>Replacement Kits</i>			
Leveling Pad Stems .....	437	Five-Position Connectors, Shell Plugs, Receptacles .....	447		
RoughDeck® Scale Base .....	438	Seven-Position Connectors, Shell Plugs, Receptacles .....	447		
		Six-Position Connectors, Shell Plugs, Receptacles .....	447		
		T-Grip Molding .....	448		
		T-Strip Molding .....	448		
		Electronic Scale Tickets.....	449		

The following product names, logos, brands and other trademarks featured or referred to within this publication are the property of their respective trademark holders.

# Load Cell Mounting Hardware Safety Guidelines

Install only load cell mounting hardware and assemblies that have been specifically designed for use in tank, hopper or hanging scale applications. Often, the use of an inferior-grade product results in component failure which risks equipment damage and personal injury. These simple suggestions are provided to help minimize your exposure to vessel scale installation hazards.

## 1. Estimating Gross Load

To select the correct load cell or load cell hardware for a given application, it is necessary to know the total weight on the scale—including net weight of product, tare weight of the vessel and weight of the platform, tank or hopper, as appropriate.

## 2. Safe Load

Do not exceed safe load figures listed in Rice Lake Weighing Systems' catalog for any load cell hardware. Where shock loads are present, it may be necessary to derate these safe load figures depending on severity of the shock load.

## 3. Load Distribution

In multiple-load-cell applications, weight must be evenly distributed between all cells.

## 4. Threaded Connections

Check that all threads of a threaded connection are in engagement. For example, an eye bolt screwed into an s-type load cell should protrude slightly on the opposite side.

## 5. Jam Nuts

All threaded connections must be locked with jam nuts to prevent inadvertent disassembly. If a load is suspended from a single load cell, it is critical that the load cannot rotate as this may loosen the jam nut.

## 6. Wire Rope Assemblies

With wire rope assemblies, do not twist the rope during assembly or disassembly. For example, do not remove a frozen nut from one end of a rope assembly by holding the opposite end.

## 7. Attachment Points of a Load Cell Hardware Assembly

The attachment points of a load cell hardware assembly must be aligned properly and the assembly should be essentially vertical.

## 8. Swaying in a Suspended Vessel Scale

If there is excessive swaying in a suspended vessel scale, apply horizontal checking to reduce amplitude.

## 9. Safety Backup

If failure of one or more load cell hardware assemblies could cause injury or damage, a safety backup (safety chains, safety rods, etc.) must be used. The assemblies should be inspected routinely for damage, excessive wear or corrosion and replaced if necessary.

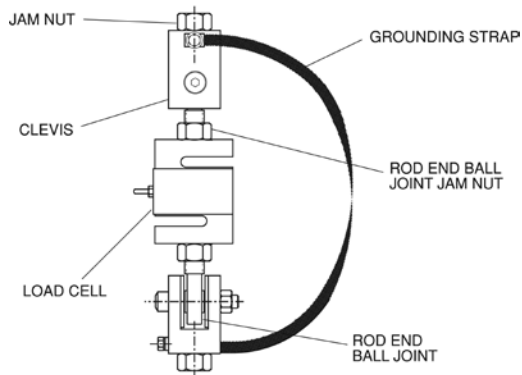
## 10. Hopper Scales: Guarding Against Contamination

With hopper scales, guard against contamination of the product being weighed in case of failure of the load cell or hardware assembly. For example, do not locate a wire rope assembly over a hopper scale where broken strands of wire could fall into the weighing vessel, contaminating the product being weighed.

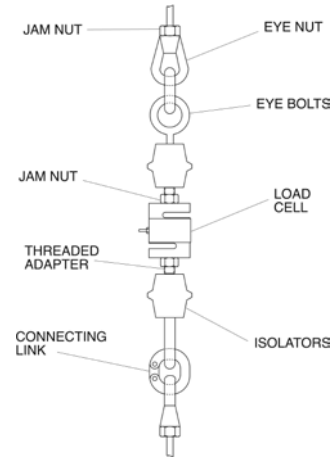
## 11. Selecting Steel Rod or Any Other Weight-Bearing Components

Select steel rod or any other weight-bearing components so the minimum tensile strength is at least four times the total weight carried by that component. Note that threaded rod is generally made from a low tensile-strength mild steel which should be checked for tensile strength before use in any suspended vessel scale.

# Mounting Assembly Component Identification



ITCM Isolated Tension Cell Mounting Assembly



Conventional Tension Mounting Assembly

Our popular Isolated Tension Cell Mounting (ITCM) assembly and other conventional suspended weighing system assemblies employ a variety of serviceable hardware components. Rice Lake Weighing Systems offers a comprehensive selection of these items for all of your suspended vessel service needs. These drawings are designed to enable you to quickly identify and differentiate components from both of these common designs. All corresponding replacement hardware is located on the following pages.

## Jam Nuts



### Standard Features

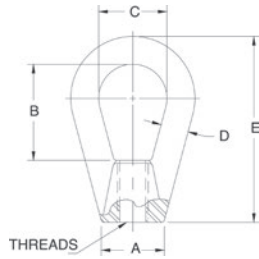
- Mild steel/stainless steel
- Coarse or fine thread
- Zinc-plated mild steel or stainless steel

Thread Size	Part #	Price
<b>Mild Steel, Fine Thread</b>		
1/4-28 UNF	14639	\$1.00
3/8-24 UNF	14651	\$1.00
1/2-20 UNF	14664	\$1.60
3/4-16 UNF	14687	\$1.60
1-12 UNF	14702	\$5.99
1-14 UNF	14703	\$4.90
1 1/4-12 UNF	14708	\$3.60
1 1/2-12 UNF	14711	\$4.90
<b>Mild Steel, Coarse Thread</b>		
1/4-20 UNC	14636	\$1.00
3/8-16 UNC	14649	\$2.25
1/2-13 UNC	14661	\$1.00
5/8-11 UNC	14676	\$2.25
3/4-10 UNC	14686	\$1.06
1-8 UNC	14701	\$1.20
1-1/4-7 UNC	14707	\$3.30

Thread Size	Part #	Price
<b>Stainless Steel, Fine Thread</b>		
1/4-28 UNF	14640	\$1.30
1/2-20 UNF	14665	\$1.80
3/4-16 UNF	14688	\$2.30
<b>Stainless Steel, Coarse Thread</b>		
3/8-16 UNC	14653	\$2.10
1/2-13 UNC	14662	\$1.85
5/8-11 UNC	14680	\$2.10
3/4-10 UNC	14690	\$2.25

HARDWARE AND ACCESSORIES

# Eye Nuts



## Standard Features

- Drop-forged steel, tapped NC right-hand threads

## Part Number/Price

Part #	A	B	C	D	E	Thread Size	Safe Load*	Price
17772	0.50 in	1.06 in	0.75 in	0.25 in	1.68 in	1/4-20 UNC	500 lb	\$48.00
17773	0.75 in	1.18 in	0.87 in	0.31 in	2.25 in	3/8-16 UNC	1,800 lb	\$32.00
17774	1.00 in	1.56 in	1.12 in	0.43 in	3.00 in	1/2-13 UNC	3,600 lb	\$48.00
17775	1.25 in	1.93 in	1.37 in	0.56 in	3.75 in	5/8-11 UNC	5,800 lb	\$53.00

\*Do not exceed the safe load

# Coupling Nuts



## Standard Features

- Heavy hex

## Part Number/Price

Part #	Thread Size	Length	Flat	Safe Load*	Price
14638	1/4-20 UNC	1.75 in	0.44 in	500 lb	\$7.50
14650	3/8-16 UNC	1.75 in	0.62 in	1,500 lb	\$7.40
14663	1/2-13 UNC	1.75 in	0.87 in	3,000 lb	\$7.40
14681	5/8-11 UNC	2.12 in	1.06 in	7,500 lb	\$10.50
14691	3/4-10 UNC	2.25 in	1.25 in	10,000 lb	\$11.50

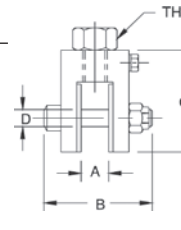
\*Do not exceed the safe load

# Clevis Mount Assemblies

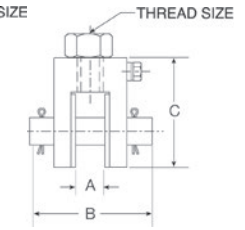


## Standard Features

- Mild steel
- Assembly used in the ITCM
- Adapts rod to rod-end ball joint
- Provides electrical isolation for load cell protection
- Elimination of unwanted side loads
- Optional stainless steel provides enhanced corrosion resistance



Clevis Mount with bolt



Clevis Mount with pin

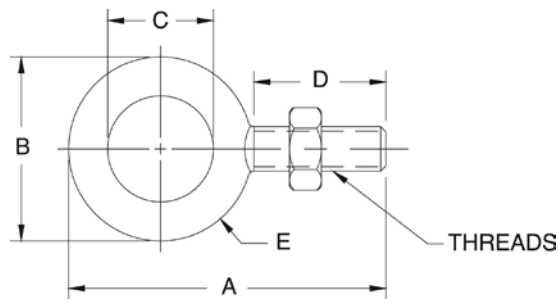
## Part Number/Price

Part #	A	B	C	D	Thread Size	Safe Load*	Price
<b>Mild Steel with Bolt</b>							
17792	0.52 in	2.38 in	1.94 in	0.38 in	3/8-16 UNC	300 lb	\$87.00
17793	0.52 in	2.38 in	1.94 in	0.38 in	1/2-13 UNC	300 lb	\$87.00
17783	0.39 in	1.81 in	1.69 in	0.25 in	1/2-13 UNC	500 lb	\$99.00
17784	0.65 in	2.68 in	2.31 in	0.50 in	3/4-10 UNC	4,000 lb	\$99.00
17785	0.78 in	3.37 in	3.00 in	0.62 in	1-8 UNC	10,000 lb	\$99.00
17786	0.39 in	1.81 in	1.69 in	0.25 in	3/8-16 UNC	500 lb	\$94.00
17787	0.65 in	2.68 in	2.31 in	0.50 in	1/2-13 UNC	2,000 lb	\$99.00
17788	0.65 in	2.68 in	2.31 in	0.50 in	5/8-11 UNC	2,500 lb	\$99.00
17789	0.78 in	3.37 in	3.00 in	0.62 in	3/4-10 UNC	5,000 lb	\$99.00
<b>Mild Steel with Pin</b>							
17790	1.39 in	4.12 in	4.50 in	1.00 in	1 1/4-7 UNC	15,000 lb	\$367.00
17791	1.22 in	4.12 in	5.00 in	1.25 in	1 1/2-6 UNC	20,000 lb	\$367.00
<b>Stainless Steel with Pin</b>							
33644	0.52 in	2.38 in	1.94 in	0.38 in	1/2-13 UNC	300 lb	\$192.00
33643	0.39 in	1.81 in	1.69 in	0.25 in	1/2-13 UNC	500 lb	\$192.00
33641	0.39 in	1.81 in	1.69 in	0.25 in	3/8-16 UNC	500 lb	\$192.00
33658	0.52 in	2.38 in	1.94 in	0.38 in	3/8-16 UNC	500 lb	\$192.00
33642	0.65 in	2.68 in	2.31 in	0.50 in	3/4-10 UNC	4,000 lb	\$250.00
33640	0.65 in	2.68 in	2.31 in	0.50 in	1/2-13 UNC	2,000 lb	\$250.00
33639	0.65 in	2.68 in	2.31 in	0.50 in	5/8-11 UNC	2,500 lb	\$250.00
33638	0.78 in	3.37 in	3.00 in	0.62 in	3/4-10 UNC	5,000 lb	\$250.00

\*Do not exceed the safe load



# Load Cell Eye Bolts



## Standard Features

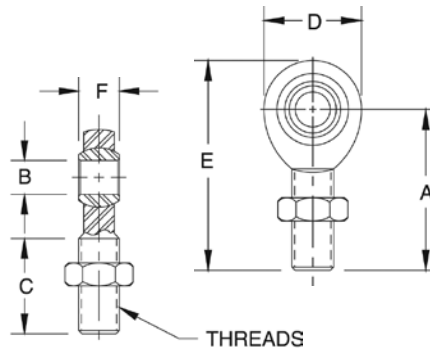
- Mild steel
- One jam nut included with each eye bolt

## Part Number/Price

Part #	A	B	C	D	E	Thread Size	Safe Load*	Price
<b>Mild Steel</b>								
17705	2.25 in	1.25 in	0.75 in	1.00 in	0.25 in	1/4-28 UNF	500 lb	\$26.50
17707	2.91 in	1.66 in	1.00 in	1.25 in	0.33 in	3/8-24 UNF	1,300 lb	\$26.50
17709	3.56 in	2.06 in	1.19 in	1.50 in	0.44 in	1/2-20 UNF	2,400 lb	\$28.50
17711	4.25 in	2.50 in	1.37 in	1.75 in	0.56 in	5/8-18 UNF	4,000 lb	\$34.00
17713	4.81 in	2.81 in	1.50 in	2.00 in	0.66 in	3/4-16 UNF	5,000 lb	\$74.00
17715	6.06 in	3.56 in	1.81 in	2.50 in	0.87 in	1-12 UNF	9,000 lb	\$117.00
17716	6.06 in	3.56 in	1.81 in	2.50 in	0.87 in	1-14 UNS	9,000 lb	\$117.00
17704	2.25 in	1.25 in	0.75 in	1.00 in	0.25 in	1/4-20 UNC	500 lb	\$23.00
17706	2.91 in	1.66 in	1.00 in	1.25 in	0.33 in	3/8-16 UNC	1,300 lb	\$25.00
17708	3.56 in	2.06 in	1.19 in	1.50 in	0.44 in	1/2-13 UNC	2,400 lb	\$25.00
17710	4.25 in	2.50 in	1.37 in	1.75 in	0.56 in	5/8-11 UNC	4,000 lb	\$38.00
17712	4.81 in	2.81 in	1.50 in	2.00 in	0.66 in	3/4-10 UNC	5,000 lb	\$58.00
17714	6.06 in	3.56 in	1.81 in	2.50 in	0.87 in	1-8 UNC	9,000 lb	\$59.00
17717	7.44 in	4.44 in	2.19 in	3.00 in	1.12 in	1 1/4-7 UNC	15,000 lb	\$169.00

\*Do not exceed the safe load

# Rod End Ball Joints



## Standard Features

- Used in the ITCM assembly
- One jam nut included with each rod end ball joint
- Optional stainless steel provides enhanced corrosion resistance for hostile environments

## Part Number/Price

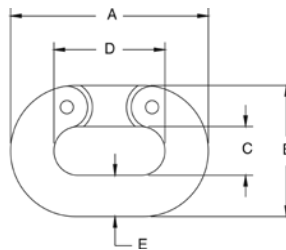
Part #	Safe Load*	Breaking Strength	PTFE Lined	Price
<b>Mild Steel</b>				
17746	975 lb	3,915 lb	YES	\$34.00
17734	1,200 lb	4,916 lb	NO	\$24.00
17736	4,000 lb	16,238 lb	NO	\$60.00
17738	7,000 lb	28,081 lb	NO	\$103.00
17735	2,000 lb	8,075 lb	NO	\$29.00
17737	3,250 lb	13,831 lb	NO	\$42.00
17739	500 lb	2,158 lb	YES	\$34.00
17740	4,000 lb	16,238 lb	YES	\$55.00
17741	10,000 lb	40,572 lb	YES	\$82.00
17742	10,500 lb	43,541 lb	NO	\$154.00
26007	15,000 lb	76,200 lb	YES	\$318.00
17747	19,000 lb	76,200 lb	YES	\$366.00
17743	20,000 lb	79,728 lb	NO	\$276.00
17744	24,000 lb	96,510 lb	NO	\$382.00
<b>Stainless Steel</b>				
33505	500 lb	2,158 lb	YES	\$148.00
33506	1,500 lb	7,362 lb	YES	\$148.00
33507	3,000 lb	16,238 lb	YES	\$159.00
33508	7,000 lb	40,572 lb	YES	\$366.00

\*Do not exceed the safe load

## Dimensions

Part #	A	B	C	D	E	F	Thread Size
<b>Mild Steel</b>							
17746	1.94 in	0.37 in	1.25 in	1.00 in	2.43 in	0.50 in	3/8-24 UNF
17734	1.94 in	0.37 in	1.25 in	1.00 in	2.43 in	0.50 in	3/8-24 UNF
17736	2.44 in	0.50 in	1.50 in	1.31 in	3.09 in	0.62 in	1/2-20 UNF
17738	2.87 in	0.75 in	1.75 in	1.75 in	3.75 in	0.87 in	3/4-16 UNF
17735	2.44 in	0.50 in	1.50 in	1.31 in	3.09 in	0.62 in	1/2-20 UNF
17737	2.87 in	0.75 in	1.75 in	1.75 in	3.75 in	0.87 in	3/4-16 UNF
17739	1.56 in	0.25 in	1.00 in	0.75 in	1.93 in	0.37 in	1/4-28 UNF
17740	2.44 in	0.50 in	1.50 in	1.31 in	3.09 in	0.62 in	1/2-20 UNF
17741	2.87 in	0.62 in	1.75 in	1.75 in	3.75 in	0.75 in	3/4-16 UNF
17742	4.12 in	1.00 in	2.12 in	2.75 in	5.50 in	1.37 in	1-12 UNF
26007	4.12 in	1.00 in	2.12 in	2.75 in	5.50 in	1.37 in	1-14 UNS
17747	4.12 in	1.00 in	2.12 in	2.75 in	5.50 in	1.37 in	1-12 UNF
17743	4.12 in	1.25 in	2.12 in	2.75 in	5.50 in	1.09 in	1 1/4-12 UNF
17744	5.37 in	1.50 in	3.00 in	3.50 in	7.12 in	1.31 in	1 1/2-12 UNF
<b>Stainless Steel</b>							
33506	1.94 in	0.37 in	1.25 in	1.00 in	2.43 in	0.50 in	3/8-24 UNF
33505	1.56 in	0.25 in	1.00 in	0.75 in	1.93 in	0.37 in	1/4-28 UNF
33507	2.44 in	0.50 in	1.50 in	1.31 in	3.09 in	0.62 in	1/2-20 UNF
33508	2.87 in	0.62 in	1.75 in	1.75 in	3.75 in	0.75 in	3/4-16 UNF

# Connecting Links



## Standard Features

- Drop-forged carbon steel, heat-treated, hot-dipped galvanized finish

## Part Number/Price

Part #	A	B	C	D	E	Safe Load*	Price
17794	1.50 in	1.00 in	0.43 in	0.87 in	0.25 in	1,325 lb	\$42.00
17795	2.06 in	1.37 in	0.56 in	1.12 in	0.37 in	2,750 lb	\$45.00
17796	2.65 in	1.71 in	0.65 in	1.46 in	0.50 in	4,750 lb	\$45.00
17797	3.31 in	2.09 in	0.78 in	1.81 in	0.62 in	7,250 lb	\$55.00
17798	3.87 in	2.50 in	0.93 in	2.12 in	0.75 in	10,250 lb	\$74.00
17799	5.00 in	3.31 in	1.25 in	2.75 in	1.00 in	15,500 lb	\$127.00

\*Do not exceed the safe load

# Load Cell Isolators



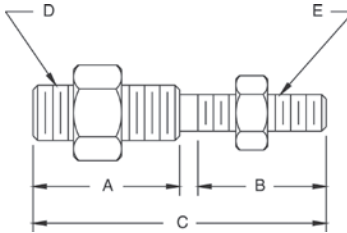
Power surges such as those caused by welding or electrical shorts frequently damage load cells and indicators. To prevent such damage, these isolators electrically separate the mechanical assembly from its tension-type load cell.

## Part Number/Price

Part #	Height Thread Size	Diameter	Safe Load*	Price
17722	3/8-16 UNC	2.50 in	600 lb	\$48.00
17724	1/2-13 UNC	2.50 in	600 lb	\$53.00
17726	1/2-20 UNF	2.50 in	600 lb	\$90.00
17725	1/2-13 UNC	2.00 in	3,000 lb	\$127.00
17723	3/8-24 UNF	2.50 in	600 lb	\$95.00
17728	1/2-13 UNC × 1/2-20 UNF	2.50 in	600 lb	\$69.00
17732	1/4-20 UNC	1.12 in	250 lb	\$53.00

\*Do not exceed the safe load

# Threaded Adapters



## Standard Features

- For coupling isolators with load cells and steelyard rods
- Supplied with jam nuts
- Now in stronger, more durable stainless steel

## Part Number/Price

Part #	A	B	C	D	E	Safe Load*	Price
33561	-	-	2.00 in	1/4-28 UNF	1/4-28 UNF	300 lb	\$29.00
33562	0.94 in	0.94 in	2.00 in	1/4-28 UNF	1/4-20 UNC	300 lb	\$32.00
33563	0.92 in	1.02 in	2.06 in	1/4-28 UNF	3/8-24 UNF	300 lb	\$37.00
33564	0.94 in	0.94 in	2.00 in	1/4-28 UNF	3/8-16 UNC	300 lb	\$29.00
33565	1.06 in	1.06 in	2.25 in	1/4-20 UNC	3/8-16 UNC	300 lb	\$32.00
33567	1.06 in	1.06 in	2.25 in	1/4-28 UNF	1/2-13 UNC	300 lb	\$32.00
33568	-	-	2.00 in	3/8-24 UNF	3/8-24 UNF	500 lb	\$42.00
33569	0.91 in	0.91 in	2.00 in	3/8-16 UNC	3/8-16 UNC	500 lb	\$36.00
33570	1.06 in	1.06 in	2.25 in	3/8-24 UNF	1/2-13 UNC	500 lb	\$32.00
33571	1.31 in	1.31 in	2.75 in	1/2-13 UNC	5/8-11 UNC	3,000 lb	\$32.00
33572	0.87 in	0.87 in	2.00 in	1/2-13 UNC	1/2-20 UNF	3,000 lb	\$36.00
33573	-	-	2.06 in	1/2-20 UNF	1/2-20 UNF	3,000 lb	\$36.00
33574	1.31 in	1.31 in	2.75 in	1/2-20 UNF	5/8-11 UNC	3,000 lb	\$38.00
33575	1.31 in	1.31 in	3.00 in	3/4-16 UNF	3/4-10 UNC	7,000 lb	\$40.00

\*Do not exceed the safe load

# ITCM Hardware Kits



Mount only - does not include load cell

The ITCM Isolated Tension Cell Mount is a mounting assembly designed for tension mounting S-beam load cells in suspended hopper assemblies and mechanical scale conversions. The ITCM incorporates clevis and unique rod end ball joint assemblies, reducing the overall length to less than half of traditional tension cell mounts, while providing correct load alignment. In addition, the load cell is completely electrically isolated from stray currents, a major cause of load cell failure. To complete the design, a grounding strap connects the two clevis assemblies to further ensure load cell safety.

## Standard Features

- Provides greater safety than traditional/ suspension configurations
- Complete package for ease of installation
- Built-in electrical isolation without having to use isolators (not available on 20,000 lb version)
- Provides correct load cell loading even in difficult installations
- Dramatically reduces overall length
- Capacities from 300 to 20,000 lb
- Clevis mounts with nylon insulating washers
- PTFE-lined rod end ball joints (not available on 20,000 lb version)
- Completely isolates load cell from stray currents
- Grounding strap for electrical continuity
- Zinc plated clevis
- Mount only: does not include load cell

## Applications

- Suspended hoppers
- Mechanical scale conversions
- Replaces traditional eye bolt, isolator configurations

## Part Number/Price

Part #	Load Rating	Clevis Thread	Rod End Thread	Safe Load*	Price
<b>Mild Steel</b>					
17968	300 lb	3/8-16	3/8-24	300 lb	\$236.00
17969	300 lb	1/2-13	3/8-24	300 lb	\$236.00
17894	500 lb	3/8-16	1/4-28	500 lb	\$236.00
17895	500 lb	1/2-13	1/4-28	500 lb	\$236.00
17896	2,000 lb	1/2-13	1/2-20	2,000 lb	\$285.00
17897	2,500 lb	5/8-11	1/2-20	2,500 lb	\$285.00
17898	4,000 lb	3/4-10	1/2-20	4,000 lb	\$285.00
17899	5,000 lb	3/4-10	3/4-16	5,000 lb	\$325.00
17900	10,000 lb	1-8	3/4-16	10,000 lb	\$325.00
17958	15,000 lb (RL20000I)	1 1/4-7	1-12	15,000 lb	\$1,284.00
63166	15,000 lb (RL20001)	1 1/4-7	1-14	15,000 lb	\$1,229.00
17959	20,000 lb**	1 1/2-6	1 1/4-12	20,000 lb	\$1,134.00
<b>Stainless Steel</b>					
33630	500 lb	3/8-16	3/8-24	500 lb	\$643.00
33631	300 lb	1/2-13	3/8-24	300 lb	\$643.00
33632	500 lb	3/8-16	1/4-28	500 lb	\$643.00
33633	500 lb	1/2-13	1/4-28	500 lb	\$643.00
33634	2,000 lb	1/2-13	1/2-20	2,000 lb	\$774.00
33635	2,500 lb	5/8-11	1/2-20	2,500 lb	\$774.00
33636	3,000 lb	3/4-10	1/2-20	3,000 lb	\$774.00
33637	5,000 lb	3/4-10	3/4-16	5,000 lb	\$1,124.00

\* Do not exceed the safe load \*\*Not electrically isolated

Note: Replacement parts for mounts can be found in the Replacement Parts Catalog.

# Grounding Strap



## Standard Features

- Used in the ITCM assembly
- Tinned copper braid
- Crimped sleeve on ends with 0.25 in hole
- Available in 12 in, 14 in, 16 in, 24 in or 32 in lengths

## Part Number/Price

Part #	Length	Price
17778	12 in	\$22.00
17779	14 in	\$22.00
17780	16 in	\$22.00
17781	24 in	\$22.00
17782	32 in	\$30.00

# Ball Bearings



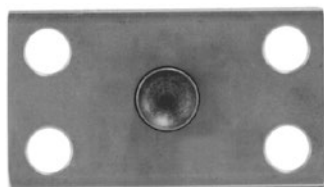
## Standard Features

- Use with load cup and load receiver to build a custom scale
- 52100 chrome alloy steel

## Part Number/Price

Part #	Drawing Dimensions	Price
18815	5/8 in diameter crush strength 32,000 lb	\$16.00
18816	7/8 in diameter crush strength 59,000 lb	\$18.00
65841	1.25 in diameter crush strength 100,000 lb	\$37.00

# Load Receiver Plate

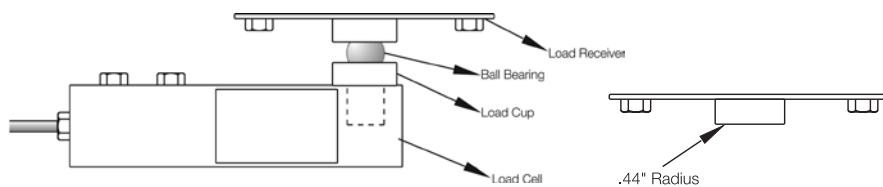
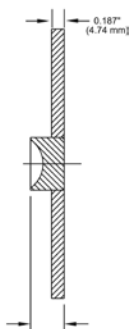
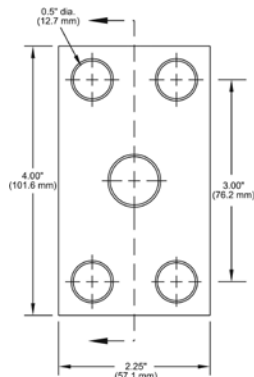


## Standard Features

- Design offers accurate point loading
- Self-centering effect built in
- Use with load cup and ball bearings to build a custom scale
- Ball and cup load introduction provides point loading for maximum accuracy
- Stainless steel construction

## Part Number/Price

Part #	Description	Price
18832	Load receiver plate	\$58.00



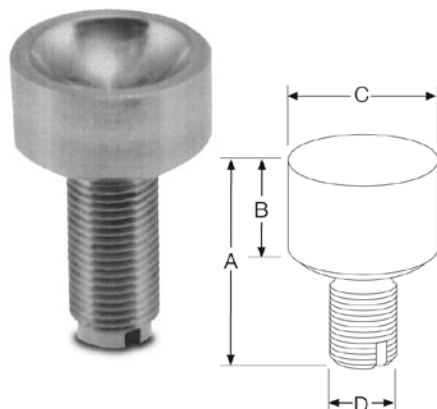
# Load Cups

## Standard Features

- Ball and cup load introduction provides point loading for maximum accuracy
- For use with most popular single-ended beam load cells
- Constructed of 440C

## Part Number/Price

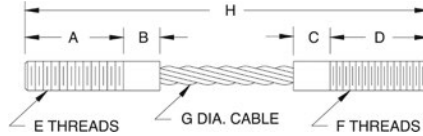
Part #	A	B	C	D	Price
31911	1.70 in	0.54 in	1.07 in	1/2-20 UNF	\$58.00
212364	1.70 in	0.54 in	1.07 in	M8	\$70.00
33654	1.12 in	0.54 in	0.78 in	1/2-20 UNF	\$47.00
33653	1.50 in	0.80 in	1.12 in	3/4-16 UNF	\$48.00
33652	2.00 in	0.85 in	1.75 in	1-12 UNF	\$114.00
33651	2.85 in	0.85 in	1.75 in	1-12 UNF	\$160.00
33650	2.85 in	0.85 in	1.75 in	1-14 UNF	\$160.00
33647	2.75 in	0.50 in	0.75 in	1/2-20 UNF	\$57.00
72364	1.78 in	0.53 in	0.78 in	1/2-20 UNF	\$69.00
69431	Replacement cup for Cardinal® SCA-50,000 load cell				\$143.00



HARDWARE AND ACCESSORIES

# Wire Rope Assemblies

Note: Wire ropes should not be exposed to shock loads, chemicals or twisting. Chains or rods should be used as a safety backup in case of catastrophic failure.



## Wire Rope Assemblies

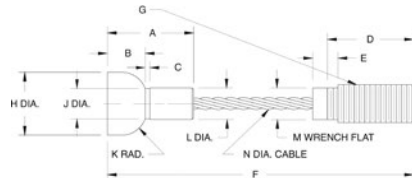
- Wire rope assemblies provide better alignment and greatly increase load cell repeatability. In addition, they act as natural vibration dampeners.

### Part Number/Price

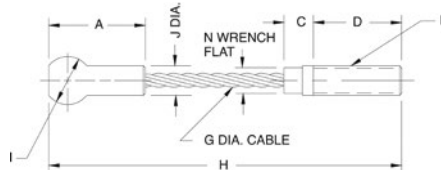
Part #	A	B & C	D	E	F	G	H	Safe Load*	Price
17760	0.87 in	0.50 in	0.87 in	1/4-20 UNC-2A	1/4-28 UNF-2A	0.12 in	4.00 in	400 lb	\$58.00
17762	1.25 in	0.50 in	1.25 in	3/8-16 UNC-2A	3/8-24 UNF-2A	0.18 in	5.00 in	850 lb	\$64.00
17766	1.62 in	0.50 in	1.62 in	1/2-13 UNC-2A	1/2-20 UNF-2A	0.25 in	6.50 in	1,400 lb	\$66.00
17765	1.62 in	0.50 in	1.62 in	1/2-13 UNC-2A	1/2-20 UNF-2A	0.25 in	5.50 in	1,400 lb	\$79.00
17764	1.00 in	-	1.37 in	1/2-20 UNF-2A	1/2-20 UNF-2A	0.25 in	4.00 in	1,400 lb	\$95.00
17768	2.00 in	-	2.50 in	3/8-24 UNF-2A	3/8-24 UNF-2A	0.12 in	5.50 in	400 lb	\$143.00
17769**	1.25 in	-	0.75 in	1/4-28 UNF-2A	1/4-28 UNF-2A	0.12 in	3.00 in	400 lb	\$159.00
17771**	1.25 in	-	0.75 in	1/2-20 UNF-2A	1/2-20 UNF-2A	0.25 in	3.00 in	1,400 lb	\$69.00
115292***	1.25 in	-	0.75 in	1/4-28 UNF-2A	1/4-28 UNF-2A	0.12 in	3.00 in	300 lb	\$111.00
33084****	1.31 in	-	1.00 in	1/2-20 UNF	1/2-20 UNF	0.125 in	3.62 in	850 lb	\$87.00

\*Do not exceed the safe load \*\*Used with Rice Lake Weighing Systems flexure bases \*\*\*Stainless steel \*\*\*\*Used with Rice Lake Weighing Systems FXB flexure bases

# Cardinal® Wire Rope Assemblies



Part #17767 EL209



Part #17763 EL208

## Cardinal Wire Rope Assemblies

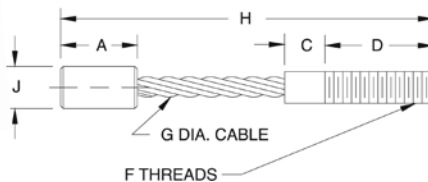
- EL208 Cardinal wire rope assembly: Used on 7,500 lb capacity FH model and 8,000 lb capacity EP model
- EL209 Cardinal wire rope assembly: Used on 20,000 lb capacity FH and EP models. May also be used on 15,000 lb capacity FH and EP models

### Part Number/Price

Part #	A	B	C	D	E	F	G	H	I	J	K	L & M	N	Safe Load*	Price
17763	1.50 in	-	0.50 in	1.50 in	-	1/2-13 UNC	0.25 in	6.00 in	0.81 in	0.43 in	-	-	0.43 in	1,400 lb	\$126.50
17767	1.71 in	0.75 in	0.09 in	2.00 in	0.43 in	6.31 in	3/4-10 UNC-2A	1.25 in	-	0.60 in	0.50 in	0.625 in	0.375 in	2,880 lb	\$247.50

\*Do not exceed the safe load

# Custom Wire Ropes



## Custom Wire Ropes

- When ordering, please complete Custom Wire Rope Definition form and provide a sample if possible, and specify the required tension rating and total capacity
- Wire ropes should not be exposed to shock loads, chemicals or twisting. Chains or rods should be used as safety backup in case of catastrophic failure.



# Custom Wire Rope Definition Form

Customer's Name: \_\_\_\_\_

Contact Person: \_\_\_\_\_

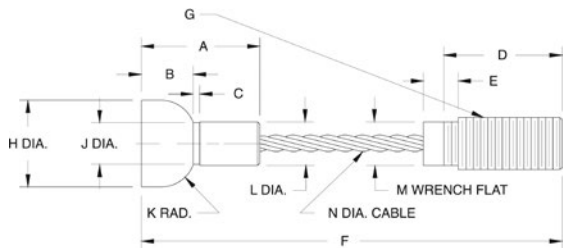
Date: \_\_\_\_\_

Application: \_\_\_\_\_

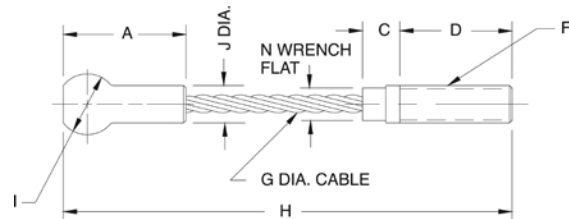
## Wire Rope\* (Enter Dimensions)

A Thread length	F Threads	K Safe load
B Shank length	G Rope diameter	L Environment
C Shank length	H Overall length	M Application
D Thread length	I Ball diameter	N Style
E Threads	J Shank diameter	O Desired Material

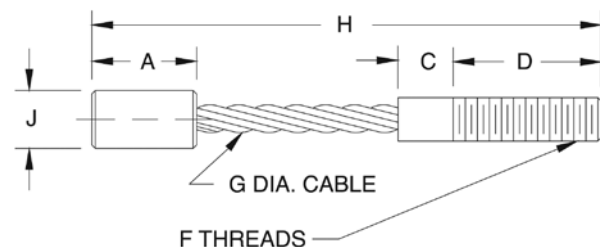
\*Use drawings below for reference



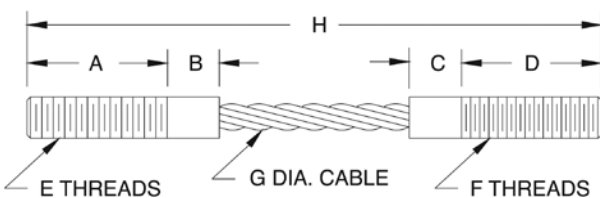
Style A



Style B



Style C



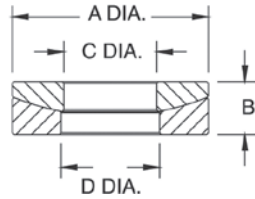
Style D



Style E

HARDWARE AND  
ACCESSORIES

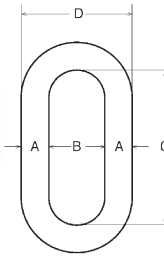
# Spherical Washer Sets



## Part Number/Price

Part #	Bolt Size	A	B	C	D	Price
<b>Mild Steel</b>						
15196	0.25 in	0.62 in	0.20 in	0.28 in	0.31 in	\$16.00
15197	0.38 in	0.88 in	0.25 in	0.41 in	0.44 in	\$19.00
15198	0.50 in	1.12 in	0.31 in	0.53 in	0.56 in	\$8.50
15199	0.62 in	1.38 in	0.31 in	0.66 in	0.69 in	\$20.00
15200	0.75 in	1.62 in	0.38 in	0.78 in	0.81 in	\$25.00
15201	1.00 in	2.00 in	0.50 in	1.06 in	1.12 in	\$39.00
15202	1.25 in	2.62 in	0.50 in	1.31 in	1.38 in	\$72.00
15203	1.50 in	2.88 in	0.53 in	1.56 in	1.62 in	\$79.00
15205	2.00 in	3.88 in	0.81 in	2.06 in	2.12 in	\$127.00
<b>Stainless Steel</b>						
33218	0.50 in	1.12 in	0.31 in	0.53 in	0.56 in	\$27.00
33220	0.75 in	1.62 in	0.38 in	0.78 in	0.81 in	\$38.00

# Weldless End Links



## Standard Features

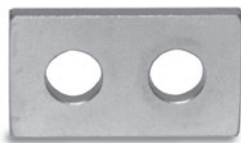
- Self-colored or hot-dip galvanized
- Forged carbon steel quenched and tempered

## Part Number/Price

Part #	A	B	C	D	Safe Load*	Price
F312L	0.625 in	1.00 in	3.25 in	2.32 in	9,300 lb	\$58.00
17810	0.875 in	2.00 in	5.13 in	3.75 in	12,000 lb	\$175.00
21911	1.00 in	2.25 in	5.75 in	4.25 in	15,200 lb	\$344.00
65430	1.25 in	2.50 in	7.00 in	5.00 in	26,400 lb	\$159.00
21912	1.375 in	2.75 in	7.75 in	5.50 in	30,000 lb	\$488.00

\*Do not exceed the safe load

# Load Cell Spacers

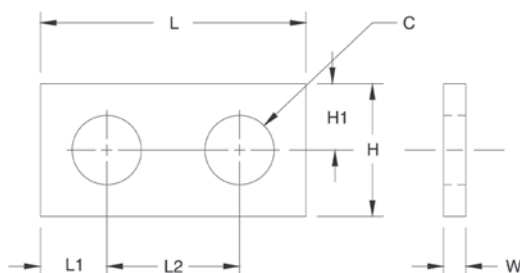


## Standard Features

- Use with most popular single-ended beams
- Provides flat mounting surface required for optimal load cell performance
- Zinc-plated mild steel or stainless steel

## Part Number/Price

Part #	C	H	H1	L	L1	L2	W	Price
<b>Mild Steel</b>								
17754	0.53 in	1.25 in	0.62 in	2.25 in	0.62 in	1.00 in	0.25 in	\$29.00
17755	0.78 in	1.50 in	0.75 in	3.00 in	0.75 in	1.50 in	0.25 in	\$29.00
17756	1.03 in	2.00 in	1.00 in	4.00 in	1.00 in	2.00 in	0.25 in	\$30.00
18260	0.53 in	1.25 in	0.62 in	2.25 in	0.62 in	1.00 in	0.37 in	\$31.00
<b>Stainless Steel</b>								
17757	0.78 in	1.50 in	0.75 in	3.00 in	0.75 in	1.50 in	0.25 in	\$37.00
18383	0.53 in	1.25 in	0.62 in	2.25 in	0.62 in	1.00 in	0.37 in	\$32.00
18411	0.53 in	1.25 in	0.62 in	2.25 in	0.62 in	1.00 in	0.25 in	\$33.00



# Load Button

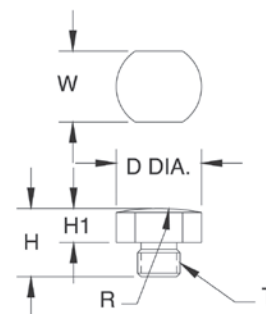


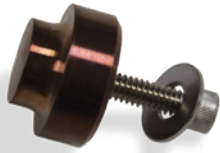
## Standard Features

- Suitable for use with compression mounting assemblies, canisters, s-beams and single-ended beams
- Hardened alloy steel

## Part Number/Price

Part #	T	D	H	H1	R	W	Price
17750	3/8-24 UNF	0.75 in	0.60 in	0.30 in	2.00 in	0.63 in	\$37.00
17751	1/2-20 UNF	0.75 in	0.70 in	0.30 in	4.00 in	0.63 in	\$32.00
17752	3/4-16 UNF	1.50 in	0.90 in	0.30 in	6.00 in	1.25 in	\$50.00



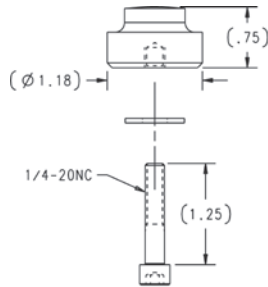


### Standard Features

- To be used with RLSSB and VPG Revere SSB load cells (1,000 to 5,000 lb)
- Hardened alloy steel

### Part Number/Price

Part #	Description	Price
26112	Load button insert kit	\$37.00



### Standard Features

- Replacement foot, adapts to most floor scales
- Use with single-ended beams to provide large, flat, adjustable introduction surface
- Special neoprene rubber sandwich base gives high accuracy, linearity and repeatability

### Part Number/Price

Part #	Material	Thread Size	Base Ht.	Total Ht.	Diameter	Price
18756	Stainless steel	1/2-20 UNF	0.75 in	2.62 in	3.47 in	\$50.00
39021	Mild steel	3/4-16 UNF-2B	0.875 in	3.25 in	4.40 in	\$93.00
39022	Mild steel	3/4-16 UNF-2B	0.875 in	4.06 in	5.40 in	\$135.00
110930	Mild steel	1-14 UNF	1.00 in	4.06 in	5.40 in	\$235.00
42130	Stainless steel	M12	-	2.62 in	3.47 in	\$103.00

## Flintec™ Adjustable Rubber Foot



SLB, SB4, SB5, SB14 and SB6



BK2

### Standard Features

- Blind hole introduction
- Low profile
- Height adjustable by rotation
- Includes spacer
- Stainless steel

### Part Number/Price

Part #	Foot Diameter	Load Cell Capacity	Price
<b>Flintec SLB, SB4, SB5, SB14 and SB6</b>			
46230	2.36 in	200 to 500 lb	\$65.00
77561	3.14 in	1,000 to 5,000 lb	\$65.00
<b>Flintec BK2</b>			
87096	3.140 in	200 to 2,000 kg	\$65.00

## Bench Scale Feet



107476



19141



35128

### Standard Features

- Rubber pad, 1/4-20 UNC threads
- Stainless steel, 3/8-16 UNC thread

### Part Number/Price

Part #	Description	Price
<b>Rubber Pad</b>		
35128	Bench scale feet	\$14.00
107476	CW 90/CW 90X feet	\$21.00
<b>Stainless Steel</b>		
19141	Bench scale feet	\$8.00

# Polyurethane Rubber Leveling Feet



## Standard Features

- 3 in overall height, all diameters
- Stainless steel stem for corrosion resistance
- Heavy-duty construction, low-cost replacement feet
- Four standard diameters all with 1/2-20 UNF stainless steel stud, slotted for top-access applications
- Stainless steel jam nut provided
- Top of stud is machined undersize 10% for easy alignment into load cell

## Part Number/Price

Part #	Foot Diameter	Height	Price
74585	1.87 in	3.00 in	\$32.00
74586	2.00 in	3.00 in	\$32.00
74587	2.50 in	3.00 in	\$32.00
73801	3.00 in	3.00 in	\$32.00

# Captured Ball Floor Scale Leveling Feet



Carbon

Stainless Steel

## Standard Features

### Carbon steel

- Bright zinc and clear chromate plating for corrosion resistance
- Active ball suspension provides ideal load cell loading with maximum side load protection
- Hardened alloy steel with plated finish
- Includes two jam nuts, one for wrench access
- Top of stud is machined undersized 10% for easy alignment into load cell plus slotted for top-access applications

### Stainless steel

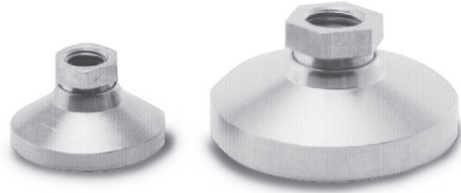
- Provides outstanding accuracy, repeatability and performance
- Active ball suspension provides optimal load cell performance
- Hardened stainless steel material, welded with polished finish
- Includes two stainless steel jam nuts, one for wrench access
- Top of stud is machined undersized 10% for easy alignment into load cell plus slotted for top-access applications

## Part Number/Price

Part #	Foot Diameter	Thread Size Inches	Height	Price
<b>Carbon Steel</b>				
74578	1.87 in	1/2-20 UNF	3.5 in	\$45.00
74579	2.00 in	1/2-20 UNF	3.5 in	\$45.00
74580	2.50 in	1/2-20 UNF	3.5 in	\$45.00
74581	3.00 in	1/2-20 UNF	3.5 in	\$45.00
74582	3.00 in	3/4-16 UNF	4.5 in	\$56.00
74583	3.00 in	1-12 UNF	4.5 in	\$67.00
74584	3.00 in	1-14 UNF	4.5 in	\$67.00
171449	3.00 in	1-14 UNF	5.0 in	\$83.00
173018	4.40 in	3/4-16 UNF	3.13 in	\$96.00
174937	5.40 in	3/4-16 UNF	4.13 in	\$139.00
<b>Stainless Steel</b>				
74572	1.87 in	1/2-20 UNF	3.5 in	\$80.00
74573	2.00 in	1/2-20 UNF	3.5 in	\$80.00
73800	2.50 in	1/2-20 UNF	3.5 in	\$80.00
74574	3.00 in	1/2-20 UNF	3.5 in	\$80.00
74575	3.00 in	3/4-16 UNF	4.5 in	\$113.00
74576	3.00 in	1-12 UNF	4.5 in	\$136.00
74577	3.00 in	1-14 UNF	4.5 in	\$136.00
92380*	2.50 in	1/2-20 UNF	3.5 in	\$80.00
175615	3.47 in	1/2-20NF	2.62 in	\$108.00

\*Stem is fully threaded

# Leveling Pads



## Standard Features

- Replacement feet adapt to most floor scales
- Available in mild steel or stainless steel
- Simple swivel design
- Use with single-ended shear beams or bending beams to provide a large, flat load introduction surface

## Part Number/Price

Part #	Thread Size	Height	Diameter	Price
<b>Mild Steel</b>				
18817	1/2-13 NC	1.12 in	1.87 in	\$27.00
18820	3/4-10 NC	1.50 in	3.00 in	\$47.00
<b>Stainless Steel</b>				
18818	1/2-13 NC	1.12 in	1.87 in	\$63.00
18833	3/4-10 NC	1.50 in	3.00 in	\$109.00

Used in conjunction with leveling pad stems

# Leveling Mount



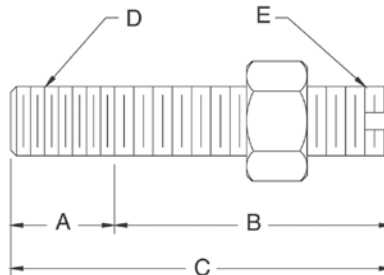
## Standard Features

- Designed for use with some floor scales or machinery platforms
- Can limit vibrations transmitted to the scale through the floor
- Provides vibration isolation on most portable platforms

## Part Number/Price

Part #	Thread Size	Height	Diameter	Price
18819	1/2-13 NC	1.81 in	5.00 in	\$106.00

# Leveling Pad Stems



## Standard Features

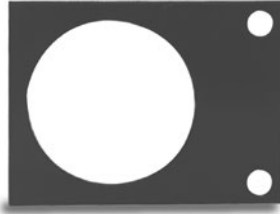
- For use with leveling pads
- One jam nut included

## Part Number/Price

Part #	A	B	C	D	E	Slot	Material	Price
<b>Mild Steel</b>								
17693	0.75 in	2.00 in	2.75 in	3/4-10 UNC	3/4-16 UNF	No	1045	\$17.00
<b>Stainless Steel</b>								
17689	0.50 in	1.50 in	2.00 in	1/2-13 UNC	1/2-20 UNF	Yes	Stainless steel	\$25.00
17695	0.75 in	2.00 in	2.75 in	3/4-10 UNC	3/4-16 UNF	No	Stainless steel	\$40.00

Warning: Do not use to suspend a load

# RoughDeck® Scale Base



## Part Number/Price

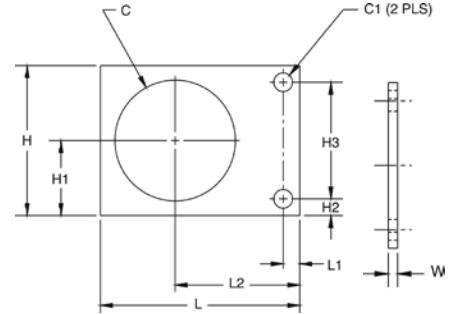
Part #	Description	Price
19075	Mild steel, 1,000 to 10,000 lb	\$19.00
19076	Stainless steel, 1,000 to 10,000 lb	\$24.00

## Dimensions

Part #	C	C1	H	H1	H2	H3	L	L1	L2	W
19075	3.62 in	0.56 in	4.50 in	2.25 in	0.50 in	3.50 in	6.00 in	0.50 in	3.75 in	0.25 in
19076	3.62 in	0.56 in	4.50 in	2.25 in	0.50 in	3.50 in	6.00 in	0.50 in	3.75 in	0.25 in

## Standard Features

- Secures RoughDeck and other popular floor scales
- Prevents movement in horizontal plane
- Useful with SureFoot™ and other load cell foot assemblies
- Available in stainless steel and mild steel



# Summit® 3000 Scale Base



## Part Number/Price

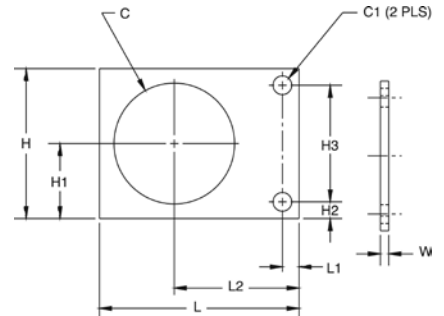
Part #	Description	Price
76149	Mild steel, 2,000 to 10,000 lb	\$19.00

## Dimensions

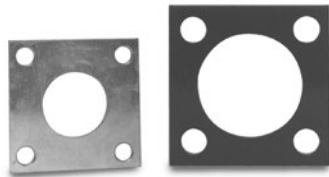
Part #	C	C1	H	H1	H2	H3	L	L1	L2	W
76149	3.19 in	0.56 in	4.50 in	2.25 in	0.50 in	3.50 in	6.00 in	0.50 in	3.75 in	0.25 in

## Standard Features

- Mounting plate for Summit® 3000 floor scales



# Floor Scale Base



## Part Number/Price

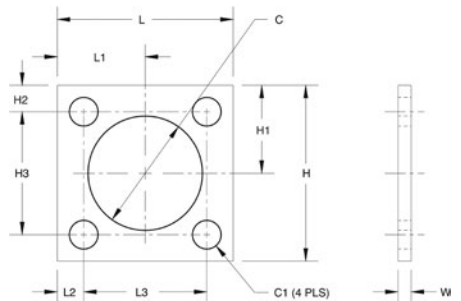
Part #	Description	Price
18737	Mild steel, 1,000 to 10,000 lb	\$9.00
18738	Mild steel 10,000 to 20,000 lb	\$10.00
18751	Stainless steel 1,000 to 10,000 lb	\$34.00

## Dimensions

Part #	C	C1	H	H1	H2	H3	L	L1	L2	L3
18737	2.00 in	0.53 in	4.00 in	2.00 in	0.50 in	3.00 in	4.00 in	2.00 in	0.50 in	3.00 in
18738	3.25 in	0.81 in	5.00 in	2.50 in	0.75 in	3.50 in	5.00 in	2.50 in	0.75 in	3.50 in
18751	2.00 in	0.53 in	4.00 in	2.00 in	0.50 in	3.00 in	4.00 in	2.00 in	0.50 in	3.00 in

## Standard Features

- Suitable for use with leveling pads
- Generic mounting plate for popular floor scales
- Fits most floor scale foot assemblies
- Available in stainless steel and mild steel (mild steel parts are zinc plated/painted)





# Complete Custom Cable Services



## Specifications

### Jacket Material:

PVC  
Polyurethane  
Double-jacketed

### Conductors:

Unlimited number  
Twisted pairs  
Color code  
Gauge

### Shielding:

Braided  
Foil

### Jacket Colors:

Black, brown, green, orange, red, blue, yellow, gray, natural

### Ink Colors:

Black, white, silver, orange  
Custom logos

## Approvals

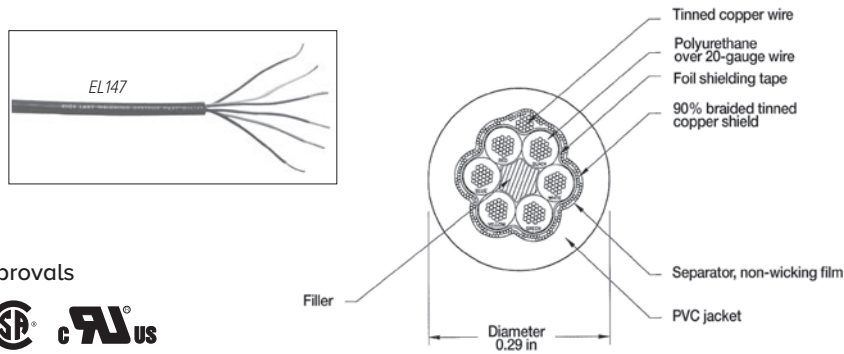


## Standard Features

- Special cable requirements
- Custom-built cable designed specifically for your application
- Choose from design elements and Rice Lake Weighing Systems will build a cable to your specifications
- Quick turnaround
- Competitively priced
- 5,000ft minimum purchase

# EL147, 6 Wire

Standard Load Cell Cable



Approvals



## Standard Features

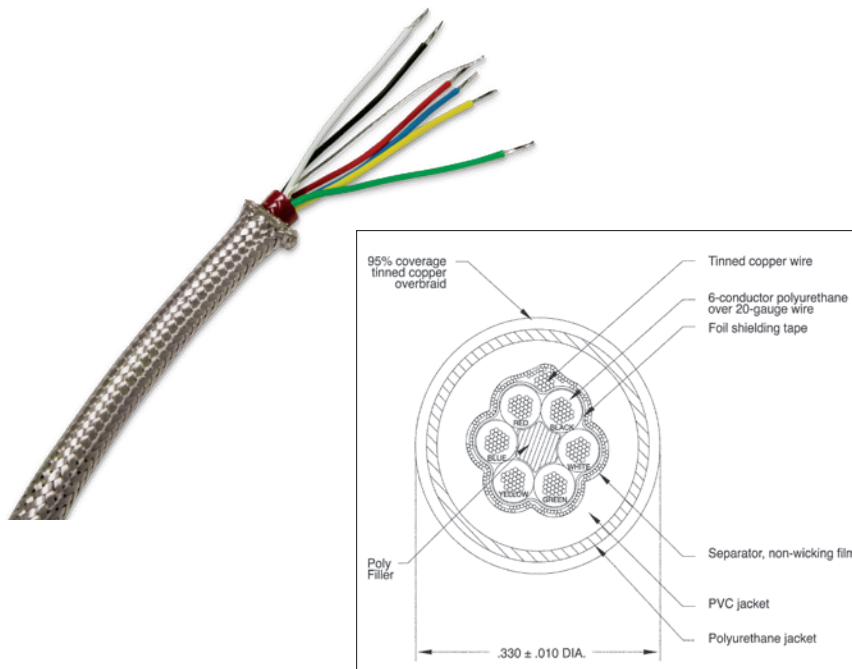
- 20 AWG tinned copper wire stranded for flexibility
- Braided shielding is encased in red PVC
- All conductors are industry-standard color coded
- Diameter: 0.29 in
- The six-wire cable is best suited for longer runs where remote sense lines can be used
- Temperature rating:  
-22 °F to 126 °F (-30 °C to 80 °C)

## Part Number/Price

Part #	Continuous Roll	Description	Price
15515	100 ft	Six-conductor cable	\$228.00
15516	250 ft	Six-conductor cable	\$503.00
15517	500 ft	Six-conductor cable	\$938.00
15518	1,000 ft	Six-conductor cable	\$1,828.00
15495	Custom length	Six-conductor cable	\$2.28/ft

# EL147RP Plus, 6 Wire

Rodent Protection Load Cell Cable



## Standard Features

- Tinned copper overbraid provides superior rodent and abrasion deterrent
- Enhanced EMI/RFI protection
- Six-conductor industry-standard color code
- Ideal for truck and railroad-track scales
- Diameter: 0.33 in
- Temperature rating  
-22 °F to 176 °F (-30 °C to 80 °C)
- Jacket coating enhanced with a chemical coating "NAW" that is distasteful to rodents

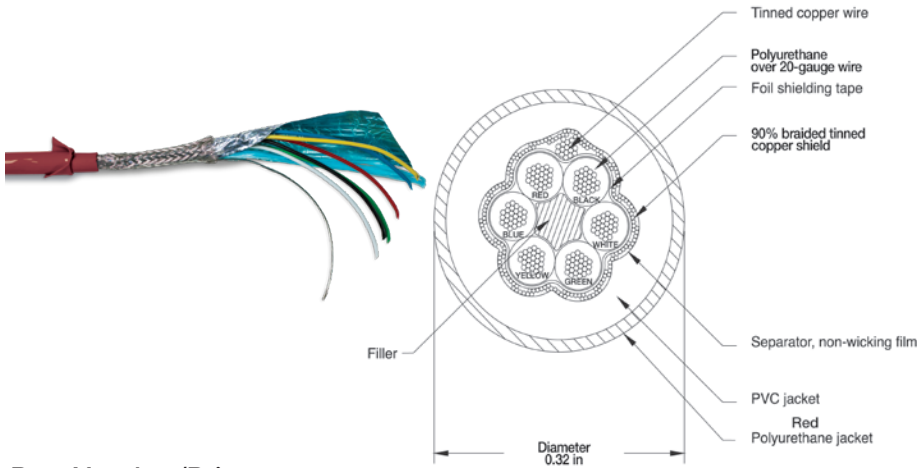
## Part Number/Price

Part #	Continuous Roll	Description	Price
31475	Custom length	Six-conductor rodent protection cable	\$4.00/ft
131964	100 ft	Six-conductor rodent protection cable	\$397.00
131965	250 ft	Six-conductor rodent protection cable	\$917.00
131966	500 ft	Six-conductor rodent protection cable	\$1,818.00
131967	1,000 ft	Six-conductor rodent protection cable	\$3,524.00

HARDWARE AND ACCESSORIES

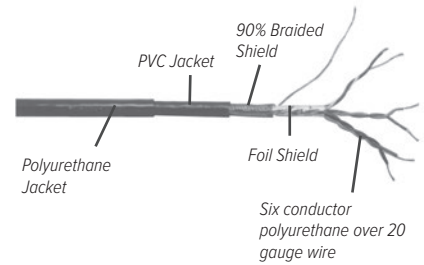
# EL147HE, 6 Wire

Hostile Environment Load Cell Cable



## Standard Features

- Designed for use in hostile environments
- Polyurethane jacketing provides superior chemical and abrasion resistance
- RFI and EMI protected with foil overbraid shield
- Unmatched durability, yet extremely flexible
- All conductors are industry-standard color coded
- Diameter: 0.32 in
- Temperature rating: -22 °F to 176 °F (-30 °C to 80 °C)
- 500 V rating

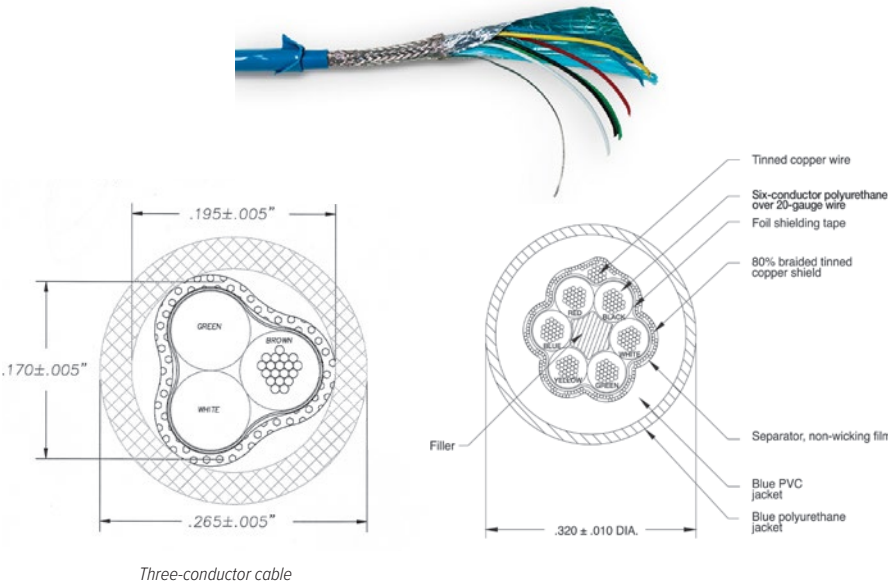


## Part Number/Price

Part #	Continuous Roll	Description	Price
15520	100 ft	Six-conductor hostile environment cable	\$265.00
15521	250 ft	Six-conductor hostile environment cable	\$636.00
15522	500 ft	Six-conductor hostile environment cable	\$1,182.00
15523	1,000 ft	Six-conductor hostile environment cable	\$2,050.00
15496	Custom length	Six-conductor hostile environment cable	\$2.80/ft

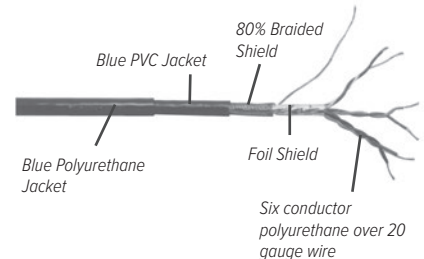
# EL147IS, 6 Wire

Hazardous Environment Blue Jacket Load Cell Cable



## Standard Features

- Designed for intrinsically safe applications (must be wired according to Factory Mutual System-approved diagram)
- Polyurethane over PVC double jacketing provides superior chemical and abrasion resistance
- Both foil and braided wire shields for added RFI and EMI protection
- Six-conductor is industry-standard color coded (Also available three-conductor)
- Suited for longer runs where remote sense lines can be used
- Temperature rating: -22 °F to 176 °F (-30 °C to 80 °C)
- Diameter: 0.32 in



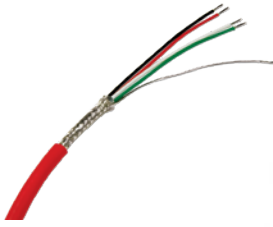
## Part Number/Price

Part #	Description	Price
32817	EL147IS, blue jacket six-conductor	\$3.34/ft
72241	Blue jacket, shielded three-conductor, UL and CSA recognized	\$2.95/ft

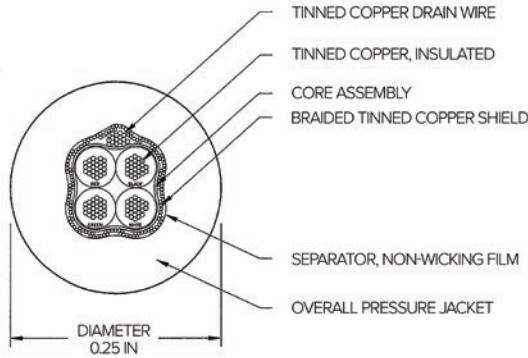
HARDWARE AND ACCESSORIES

# EL146, 4 Wire

Standard Load Cell Cable



Approvals



## Standard Features

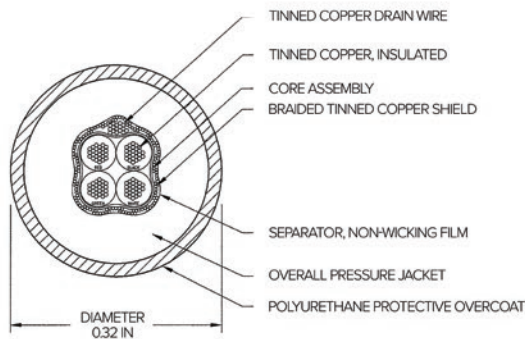
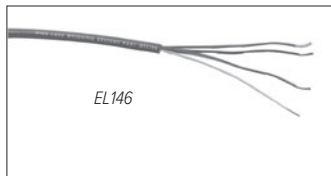
- Four-wire load cell cable
- 20 AWG tinned copper wire stranded for flexibility
- Braided shielding is encased in red PVC
- All conductors are industry-standard color coded
- Diameter: 0.25 in
- Use the four-wire cable for repairing or extending existing cable
- Temperature rating: -22 °F to 126 °F (-30 °C to 80 °C)

## Part Number/Price

Part #	Continuous Roll	Description	Price
15505	100 ft	Four-conductor cable	\$143.00
15506	250 ft	Four-conductor cable	\$334.00
15507	500 ft	Four-conductor cable	\$652.00
15508	1,000 ft	Four-conductor cable	\$1,075.00
15493	Custom length	Four-conductor cable	\$1.55/ft

# EL146HE, 4 Wire

Hostile Environment Load Cell Cable



## Standard Features

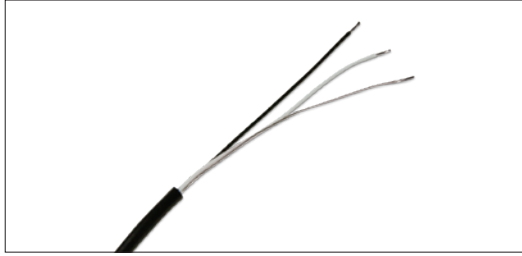
- Designed for use in hostile environments
- Polyurethane jacketing provides superior chemical and abrasion resistance
- RFI and EMI protected with foil overbraid shield
- Unmatched durability, yet extremely flexible
- All conductors are industry-standard color coded
- Diameter: 0.32 in
- Temperature rating: -22 °F to 176 °F (-30 °C to 80 °C)
- 500 V rating

## Part Number/Price

Part #	Continuous Roll	Description	Price
15510	100 ft	Four-conductor hostile environment cable	\$175.00
15511	250 ft	Four-conductor hostile environment cable	\$424.00
15512	500 ft	Four-conductor hostile environment cable	\$805.00
15513	1,000 ft	Four-conductor hostile environment cable	\$1,606.00
15494	Custom Length	Four-conductor hostile environment cable	\$1.96/ft

HARDWARE AND ACCESSORIES

# EL144 Communications Cable



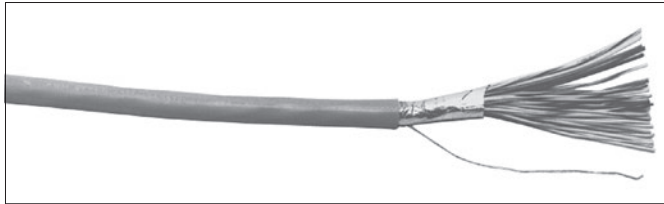
## Standard Features

- Two-conductor with bare ground
- RFI/EMI protected with foil shield
- 20 gauge conductors
- Perfect for RS-232, two-wire RS-485 and 20 mA current loop communications
- Diameter: 0.19 in
- Conductor colors are black and white

## Part Number/Price

Part #	Description	Price
32803	EL144	\$1.22/ft
72691	EL144, 100 ft	\$90.00
72072	EL144, 500 ft	\$477.00
72693	EL144, 1,000 ft	\$865.00

# BCD Cable



## Standard Features

- Sheathed in gray PVC
- Mylar aluminum foil shield with stranded tinned copper drain wire
- Diameter: 0.375 in

## Part Number/Price

Part #	Description	Price
15497	BCD, 24 AWG, 30-conductor	\$29.00/ft

# Fiber-Optic Cable



Color Code: Black-TXD, Blue-RXD

## Standard Features

- Duplex cable polyethylene black jacket material
- 4.4 + 0.10 mm outer diameter of duplex cable
- 2.2 + 0.007 mm single cable outer diameter
- Operating temperature: 32 °F to 158 °F (0 °C to 70 °C)

## Part Number/Price

Part #	Description	Price
78910	Custom length	\$1.75/ft
78026	100 ft cable	\$175.00
78027	200 ft cable	\$328.00
78028	300 ft cable	\$425.00
83052*	Fiber-optic connector	\$48.00
80892	Fiber-optic cable cutter	\$12.00
85548	Fiber-optic hot knife	\$55.00

\*Duplex fiber cable requires two connectors

# SURVIVOR® EL620HE

High Temperature Cable



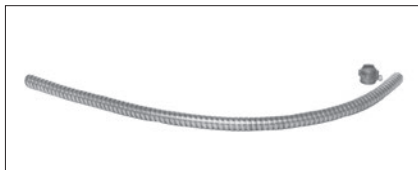
## Standard Features

- Multi-conductor overall foil and braid shield
- Suitable for temperatures from -40 °C (-40 °F) to 200 °C (392 °F)
- Insulation thickness: 0.010 in
- Jacket thickness: 0.017 in
- 18 gauge, tinned copper conductors
- Six-conductor
- FEP jacket, resistant to chemical corrosion and high temperature
- Aluminum-polyester shield with 85% tinned copper braid shield
- 150 V NEC 725 Class 2 classified for use in an air plenum non-conduit
- 0.24 in diameter cable

## Part Number/Price

Part #	Description	Price
15605	EL620HE	\$13.00/ft

# SURVIVOR® Cable Armor



## Standard Features

- Flexible all-metal protective armor
- Ideal for protecting load cell cable from mechanical abrasion or rodents
- Available in stainless steel and galvanized steel
- 0.5 in internal diameter, 2.0 in minimum bend radius
- Optional end fitting with 1/2 in male pipe thread

## Part Number/Price

Part #	Description	Price
17808	Galvanized steel	\$4.50/ft
17806	Stainless steel	\$5.50/ft
17807	Optional end fitting	\$2.65 each

# EL148HE Mettler Toledo®

Replacement Power Cell Cable



## Standard Features

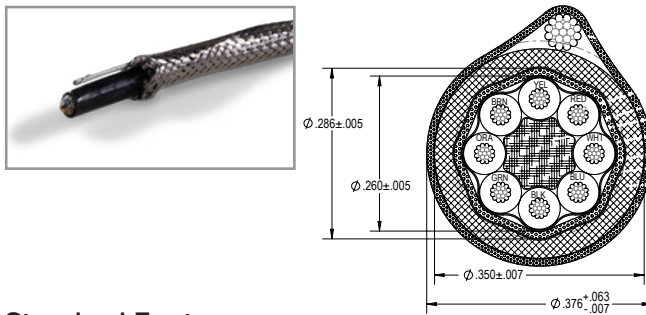
- 100% stainless steel military connector-electro deposited nickel plating with stainless banding and epoxy heat-shrink strain relief
- Stainless steel arctic ring precision cut for improved connection
- Textured rubber boot for additional grip
- Standard Mettler Toledo color code
- Compatible with Mettler Toledo Powercell CMOS/NMOS and MTX load cells. NOT compatible with Mettler Toledo PDX load cells.
- Custom lengths available

## Part Number/Price

Part #	Cable Length Each	Price
100268	8 ft	\$387.00
101102	12 ft	\$397.00
104164	15 ft	\$380.00
100269	26 ft	\$419.00
100270	35 ft	\$440.00

# Mettler Toledo® Power Cell®

Homerun Cable



## Standard Features

- Galvanized steel drain wire
- 20 gauge 8 conductors
- Stainless steel braid shield

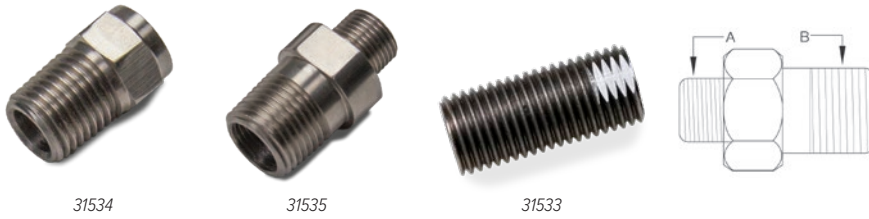
## Part Number/Price

Part #	Description	Price
194837	Galvanized steel	\$8.50/ft

HARDWARE AND ACCESSORIES



# Load Cell Conduit Adapters



## Standard Features

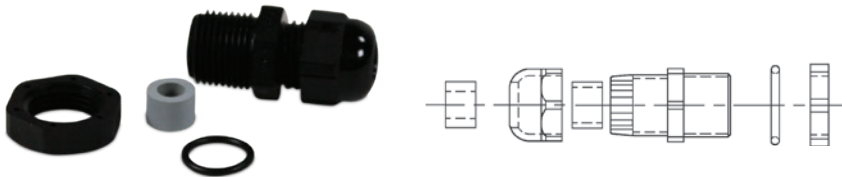
- Used to adapt conduit to load cells
- 303 stainless steel

## Part Number/Price

Part #	A	B	Price
<b>Thread-On</b>			
31533	3/8-24 UNF	—	\$37.00
31534	—	1/4-18 NPT	\$37.00
31535	5/8-18 UNF	1/2-14 NPT	\$37.00

Note: 31533 and 31534 are used together to form male-to-male adapter

# Cord Grip Assemblies



## Standard Features

- Assemblies include cord grip, locknut, O-ring seal, gray and black reducer glands
- Fittings are made of weather- and corrosion-resistant nylon

## Part Number/Price

<b>Gland Cable Ranges</b>					
Part #	Thread	Panel Hole Diameter	Regular (Black)	Reducer (Gray)	Price
15669	PCN9	0.625 in	0.157 to 0.314 in	0.118 to 0.236 in	\$5.25
15670	3/8 NPT	0.687 in	0.157 to 0.314 in	0.118 to 0.236 in	\$4.75
15671	1/2 NPT	0.844 in	0.236 to 0.472 in	0.200 to 0.354 in	\$5.50

# EL214 Cable Splicing Kit



## Standard Features

- Designed for a complete, professional transducer cable splice
- Prevents moisture from entering the load cell through the cable connector
- Each kit contains a high-impact plastic splicing box, liquid-tight cable fittings, circuit card, PTFE sleeving, pre-measured potting compound and complete instructions
- Solder terminals

## Specifications

### Dimensions:

(L × W × H)  
3.00 × 1.00 × 1.50 in

### Mounting Centers:

2.50 in

### Number of Connections:

7

### Cable Diameter:

0.187 to 0.312 in

### Cure Time For Potting:

Epoxy-Polyamide resin cures in 2 hours at 73 °F (23 °C)

## Part Number/Price

Part #	Description	Price
15485	EL214	\$143.00

## EL214T Cable Splicing Kit



### Standard Features

- Designed to accommodate cables larger than the EL214; all other dimensions and performance features are the same
- Solder terminals

### Specifications

#### Dimensions:

(L × W × H)  
3.00 × 1.00 × 1.50 in

#### Mounting Centers:

2.50 in

#### Number of Connections:

7

#### Cable Diameter:

0.187 to 0.312 in

#### Cure Time For Potting:

Epoxy-Polyamide resin cures in 2 hours at 73 °F (23 °C)

### Part Number/Price

Part #	Description	Price
15486	EL214T	\$154.00

## EL215 Cable Splicing Kit



### Standard Features

- Designed for use in weather-exposed or direct-burial locations
- Each kit contains plastic splicing tube, circuit board, insulating resin and instructions
- Solder terminals

### Specifications

#### Dimensions:

(L × W)  
6.00 × 1.38 in

#### Number of Connections:

7

#### Cable Diameter:

Up to 0.75 in

#### Cure Time For Potting:

2 hours at 70 °F (21 °C)

### Part Number/Price

Part #	Description	Price
15612	EL215	\$116.00

## Flintec™ Load Cell Cable

Replacement Kits



### Standard Features

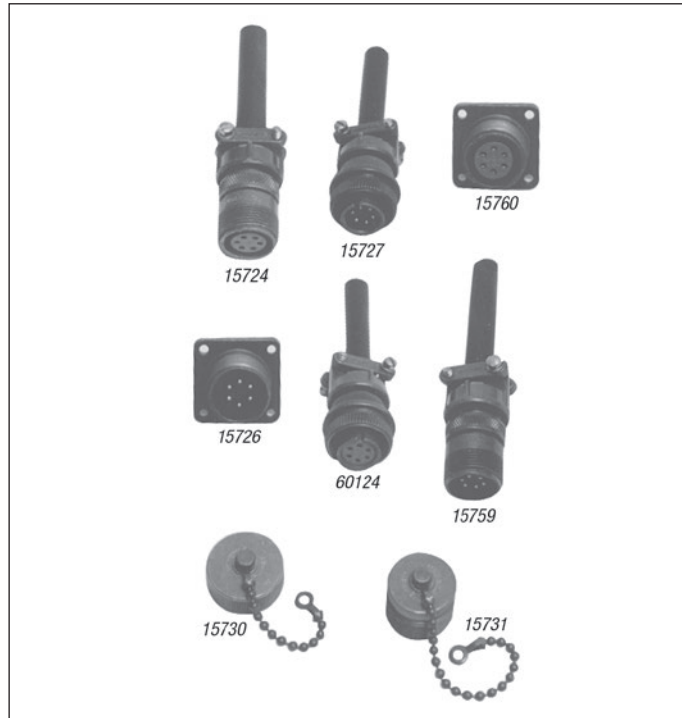
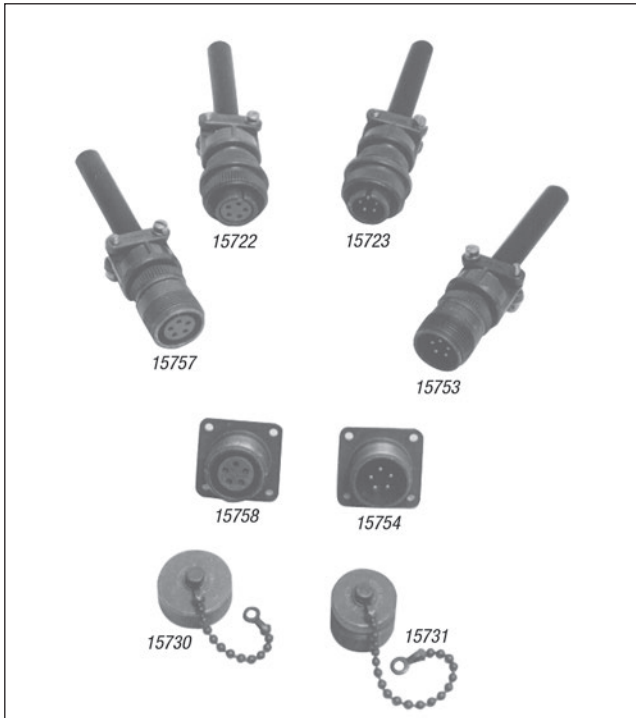
- Each kit includes cable for four Flintec SB4 load cells as listed

### Part Number/Price

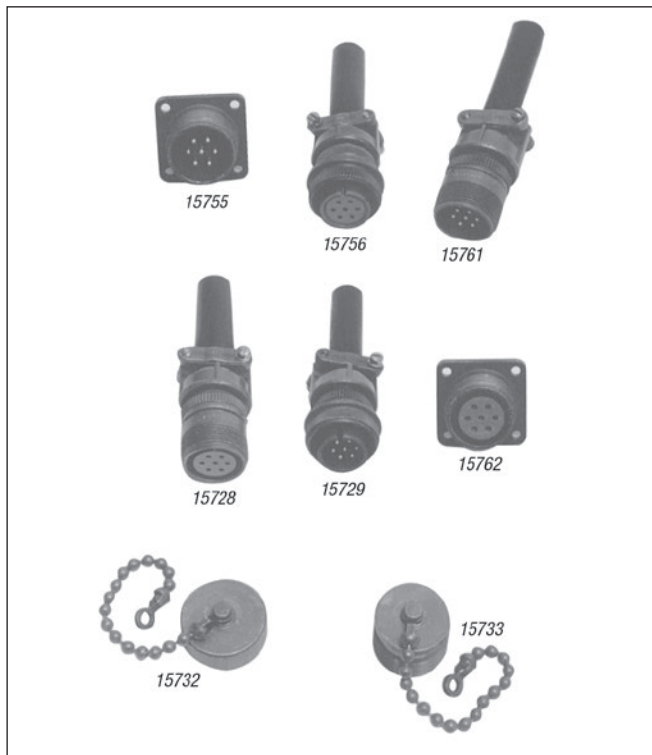
Part #	Description	Cable Length Ea. Feet	Price
18412	For SB4, 225 to 5,200 lb	10 ft	\$370.00
18413	For SB4, 11,250 to 22,500 lb	15 ft	\$397.00

## Five-Position Connectors, Shell Plugs, Receptacles

## Six-Position Connectors, Shell Plugs, Receptacles



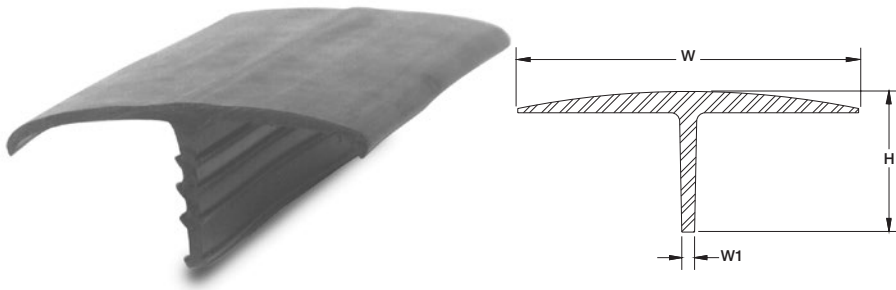
## Seven-Position Connectors, Shell Plugs, Receptacles



### Part Number/Price

Part #	Description	Price
15753	Five-pin, external thread	\$32.00
15722	Five-socket, internal thread	\$33.00
15723	Five-pin, internal thread	\$32.00
15757	Five-socket, external thread	\$37.00
15754	Five-pin chassis mount, external thread	\$37.00
15758	Five-socket chassis mount, external thread	\$23.00
15730	Dust cap for ext. thread five-position connector	\$14.00
15731	Dust cap for int. thread five-position connector	\$19.00
15759	Six-pin, external thread, male	\$32.00
60124	Six-socket, internal thread connector, female fits Toledo load cells, Condec indicators	\$27.00
15727	Six-pin, internal thread, male	\$31.00
15724	Six-socket, external thread	\$35.00
15726	Six-pin chassis mount, external thread	\$24.00
15760	Six-socket chassis mount, external thread	\$23.00
15730	Dust cap for ext. thread six-position connector	\$14.00
15731	Dust cap for int. thread six-position connector	\$19.00
15761	Seven-pin, external thread	\$33.00
15756	Seven-socket, internal thread	\$35.00
15729	Seven-pin, internal thread	\$35.00
15728	Seven-socket, external thread	\$35.00
15755	Seven-pin chassis mount, external thread	\$24.00
15762	Seven-socket chassis mount, external thread	\$27.00
15732	Dust cap for ext. thread seven-position connector	\$20.00
15733	Dust cap for int. thread seven-position connector	\$31.00

# T-Grip Molding



## Standard Features

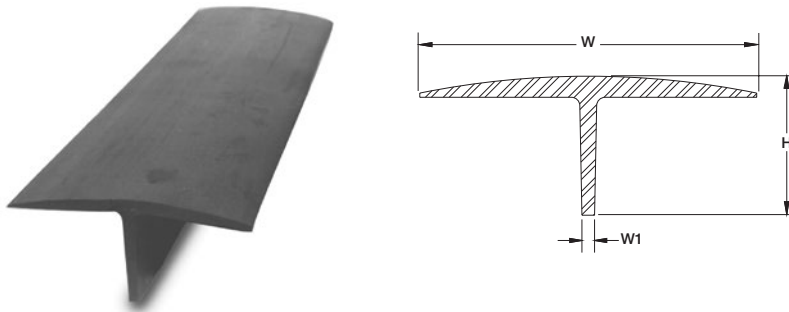
- Impact, tear and weather-resistant EPDM rubber
- Barbed web to hold molding in place
- Web thickness 0.22 in
- Available by the foot: 10 ft, 11 ft, 70 ft, 80 ft and 100 ft lengths
- Maximum continuous length is 450 ft

## Part Number/Price

Part #	H	W	W1	Length	Price
18799	2.56 in	5.75 in	0.22 in	Sold by the foot	\$13.00/ft
18800	2.56 in	5.75 in	0.22 in	10 ft	\$100.00
18801	2.56 in	5.75 in	0.22 in	11 ft	\$110.00
18802	2.56 in	5.75 in	0.22 in	70 ft	\$795.00
33219	2.56 in	5.75 in	0.22 in	80 ft	\$895.00
33222	2.56 in	5.75 in	0.22 in	100 ft	\$1,125.00

Note: Maximum continuous length is 450 ft. Call for price and availability.

# T-Strip Molding



## Standard Features

- Designed for use in truck scale applications to prevent spillover into the pit
- Impact, tear and weather-resistant SBR rubber
- Web thickness 0.25 in
- Available by the foot: 10 ft, 11 ft, 70 ft, 80 ft and 100 ft lengths
- Maximum continuous length is 450 ft
- Designed for use in truck scale applications to prevent spillover into the pit

## Part Number/Price

Part #	H	W	W1	Length	Price
18736	2.00 in	4.50 in	0.25 in	Sold by the foot	\$12.00/ft
18776	2.00 in	4.50 in	0.25 in	10 ft	\$95.00
18797	2.00 in	4.50 in	0.25 in	11 ft	\$105.00
18798	2.00 in	4.50 in	0.25 in	70 ft	\$695.00
33223	2.00 in	4.50 in	0.25 in	80 ft	\$825.00
33224	2.00 in	4.50 in	0.25 in	100 ft	\$1,025.00

Note: Maximum continuous length is 450 ft. Call for price and availability.

# Electronic Scale Tickets

## Standard Features

### Hecon® Printers, EL522 & EL516 - 20266

- Triplicate interleaved
- Size (L × W): 7.875 × 4.25 in (200 × 127 mm)
- Order quantity: 500 per package

20266

DATE \_\_\_\_\_ No. \_\_\_\_\_

SELLER \_\_\_\_\_

BUYER \_\_\_\_\_

ADDRESS \_\_\_\_\_

CITY \_\_\_\_\_ STATE \_\_\_\_\_ ZIP \_\_\_\_\_

GROSS \_\_\_\_\_

TARE \_\_\_\_\_

NET \_\_\_\_\_

DRIVER ON  OFF  WEIGHED BY \_\_\_\_\_

FORM 510

## Standard Features

### SP2200, SP2000 - 20265

- Triplicate interleaved, perforated and glued on one end
- Size (W × L): 5.5 × 9 in (139.7 × 228.6 mm)
- Order quantity: 500 per package

20265

ELECTRONIC SCALE TICKET No. \_\_\_\_\_

DATE \_\_\_\_\_

SELLER \_\_\_\_\_

BUYER \_\_\_\_\_

ADDRESS \_\_\_\_\_

CITY \_\_\_\_\_ STATE \_\_\_\_\_ ZIP \_\_\_\_\_

COMMODITY \_\_\_\_\_

PRICE \_\_\_\_\_

REMARKS \_\_\_\_\_

DRIVER  ON  OFF \_\_\_\_\_

WEIGHER \_\_\_\_\_

Form ES-4

## Standard Features

### Rice Lake Scales - 71630 or 105182

- Duplicate or triplicate
- Size (W × L): 4.25 × 7 in (107 × 177.8 mm)
- Attached at 4.25 side
- Order quantity: 500 per package

Custom (duplicate): Add company name (min. order two packs)

Custom (triplicate): Add company name (min. order two packs)

Customer Name: \_\_\_\_\_

Driver On  Driver Off

Customer Signature: \_\_\_\_\_

**RICE LAKE**

## Standard Features

### Blank Scale Ticket - 22263

- Triplicate
- White, canary yellow and pink
- Size (L × W): 5.50 × 4.25 in (140 × 108 mm)
- Attached at 4.25 edge

Custom: Add company name (min. order of 1,000)

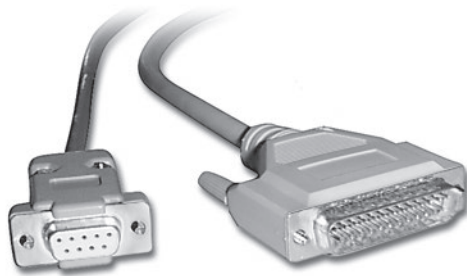
## Part Number/Price

Part #	Description	Price
20266	Hecon printers, EL522 & EL516, 500/pack	\$110.40
20265	SP2200, SP2000, EL250 & EL500, 500/pack	\$114.00
71630	Rice Lake ticket, two part, 500/pack	\$60.00
105182	Rice Lake ticket, three part, 500/pack white, canary yellow, pink	\$86.50
22263	Blank scale ticket, each	\$25.00 each





# Printer Cables



72440



156809 (1m)

156811 (3m)

156815 (5m)

## Part Number/Price

Part #	Description	Price
<b>Interface Cables for TicketPress, SP-2200, TM-U295, TM-U590 and Star® Printers</b>		
15547	Blunt end, 25-pin D-sub male RS-232 serial interface cable	\$70.00
15548	25-pin D-sub male to 25-pin D-sub male 20 mA serial interface cable (SP2200 only)	\$70.00
15568	25-pin D-sub male to 25-pin D-sub male RS-232 serial interface cable	\$70.00
Consult	Custom 20 mA/RS-232 serial interface cable	\$95.00
<b>Interface Cables for I-Class</b>		
15547	Blunt end, 25-pin D-sub male RS-232 serial interface cable	\$70.00
Consult	Custom RS-232 interface cable	\$95.00
<b>Interface Cables for Desktops, GoDEX Models, Zebra, E-4203 and M-4206</b>		
41276	DB9 male RS-232 cable to blunt end	\$77.00
<b>Straight Cable</b>		
70056	DB9 male to DB9 female	\$40.00
50749	DB9 female to DB9 female	\$60.00
41279	DB25 male to DB9 male	\$70.00
72440	DB25 male to DB9 female	\$67.00
<b>Null Modem Cable</b>		
66535	DB9F to DB9 female, Null modem	\$46.00
64794	DB9 male to DB9 female	\$69.00
<b>USB Cable</b>		
79074	USB-A (male) to USB-B (male) cable, 6 ft	\$35.00
153603	USB to nine-pin male RS-232 adapter	\$105.00
156806	USB-A (male) to USB-A (male) cable, 1 m	\$35.00
156807	USB-A (male) to USB-A (male) cable, 3 m	\$50.00
156808	USB-A (male) to USB-A (male) cable, 5 m	\$60.00
156809	USB-A (male) to USB-B (male) cable, 1 m	\$55.00
156815	USB-A (male) to USB-B (male) cable, 3 m	\$55.00
156811	USB-A (male) to USB-B (male) cable, 5 m	\$70.00
<b>Ethernet Cable/RJ45</b>		
72697	RJ45 to RJ45, 7 ft	\$40.00
78860	RJ45 to RJ45, cross over 7 ft	\$40.00
75594	RJ45 to nine-pin female	\$70.00
156817	RJ45, 1 m	\$35.00
156818	RJ45, 3 m	\$42.00
156821	RJ45, 5 m	\$50.00
<b>Misc. Cables and Adapters</b>		
22436	Blunt end, nine-pin D-sub female	\$70.00
130213	Blunt end DB25 male	\$58.00
165698	Female to male gender changer	\$11.25
119064	Slimline, Null modem gender changer, DB9 female/female	\$12.50
130789	Null modem DB9 M/F	\$14.50



156817 (1m)

156818 (3m)

156821 (5m)

Blunt-end cables interface to: UMC444, UMC555, UMC600, IQ700, IQ plus® 310A, IQ plus® 355, IQ plus® 390-DC, IQ plus® 510, IQ plus® 590-DC, IQ plus® 710, IQ plus® 800, and IQ plus® 810, 520 and 920i®

Custom cables are designed to interface with your specific equipment. Please specify equipment model number and connector type. Standard cable length is 5 ft.

## Static Brushes



Part #	Staticmaster Part #	Description	Price
76669	1C200	Static brush 1 in	\$140.00
76670	1C200R	Replacement cartridge	\$90.00



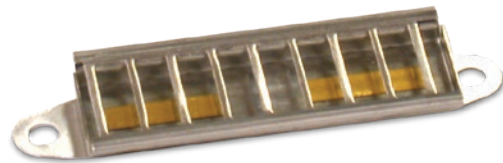
Part #	Staticmaster Part #	Description	Price
76671	3C500	Static brush 3 in	\$210.00
76672	3C500R	Replacement cartridge	\$145.00

## Ionizing Strips



Part #	Staticmaster Part #	Description	Price
76677	1U400	Ionizing unit 1 x 1 in	\$250.00
76678	1U200	Ionizing unit 1 x 1 in	\$150.00
76676	2U500	Ionizing unit 1 x 3 in	\$250.00

## Ionizing Strip Accessories



Part #	Staticmaster Part #	Description	Price
76679	BF1	Ionizer positioner	\$73.00
76680	BF2	Ionizer positioner only - C bracket	\$105.00

## Desiccants



### Standard Features

- Packets
- Bagged desiccants to protect your enclosed electronic components from moisture and humidity
- Useful in junction boxes, indicators and all scale electronics

### Part Number/Price

Part #	Description	Price
16038	Mini Pax® 7 g	\$1.22
16039	NatraSorb® 20 g	\$2.23
92240	Silica gel 1 unit pkg 3 g	\$1.17

## Industrial Corrosion Inhibitor



### Standard Features

- Special chemical combination provides superior protection
- Protects 5 cubic ft/1.4 cubic m of enclosure volume for approximately one year
- Dimensions: (W x H) 2.5 x 1.5 in (64 x 38 mm)

### Part Number/Price

Part #	Description	Price
16037	Corrosion inhibitor	\$42.00

## Crimper and Lead Seals



### Part Number/Price

Part #	Description	Price
21111	Crimper and two die blanks	\$148.00
15318	Crimper die blank (replacements)	\$64.00
15317	100 seals/pkg	\$53.00

### Standard Features

#### Crimper

- 5.0 in (127 mm) seal press with two 0.5 in (13 mm) engraving dies
- Chrome finish
- Maximum number of characters that can be engraved on die is 9
- Compound leverage
- Quick delivery on custom dies

#### Lead Seals

- Heavy-duty seal with galvanized steel wire
- Length 16.0 in (406 mm)

# Static Control Table Mat and Floor Mat



An absolute must for every workbench, this kit includes a 3-layer 2 × 4 ft table mat, 4 × 6 ft floor mat, ground cord and adjustable wrist strap. Designed specifically for energized circuit work, the static control table and floor mat provide superior protection against ESD.

## Part Number/Price

Part #	Description	Price
34265	Static control table mat and floor mat	\$900.00

# Static Control Wrist Strap



The single most important personal accessory for protecting ESD sensitive components and circuits, this wrist strap protects against charges from the body. The wrist strap consists of a comfortable elastic cuff or band and a detachable conductive cord for grounding the wrist band.

## Part Number/Price

Part #	Description	Price
34263	Static control wrist strap	\$58.00

# Static Shielding Bags



This static shield bag offers total ESD protection, whether you're transporting ESD-susceptible products across the room or across the country. The outer layer of the bag consists of an abrasion-resistant polyester, while the antistatic polyethylene inner layer retards triboelectric static charging from inside the bag.

## Part Number/Price

Part #	Description	Price
16150	Static shielding bags, 8 × 10 in	\$1.17 each
16151	Static shielding bags, 12 × 18 in	\$3.45 each

# Static-Safe Service Kit



## Standard Features

- Eliminates static for safe board replacement
- Connects a field service technician and the static-safe work surface to the same ground point
- Harmlessly drains static charges from the body and from any conductive objects placed on the mat
- Folds into a compact unit for transport and storage

## Part Number/Price

Part #	Description	Price
32818	Static-safe service kit	\$206.00

# Rice Lake's Scale Technician Kits

Take Rice Lake's commitment to customer service into the field. Rice Lake's Scale Technician Kit has everything you need in one convenient backpack to troubleshoot and repair wherever you are.

## PN 166205

### Technician Tool Kit \$1,050.00

- Rice Lake backpack
- Simulator with vernier
- Digital volt meter
- Communication Kit



## PN 166204

### Communication Kit \$135.00

- Cinch sack
- Document Kit
- Six-in-one screwdriver
- Small RLWS screwdriver
- Test LEDs
- USB to serial converter
- DB9M to DB9F straight cable
- DB9F to blunt end cable
- DB25M to blunt end cable
- Female to female DB9 null modem adapter
- Female to male DB9 gender changers
- Null modem adapter
- TCP/IP patch cable
- TCP/IP crossover cable



## PN 166203

### Document Kit \$10.50

- Pinouts for a DB9 and DB25 cable shows both male and female connectors
- Pinouts and color codes for a patch and crossover Ethernet cable
- Recommended maximum cabling distances of RS-232, 20mA, 485 and Ethernet TCP/IP
- Standard ASCII chart in both decimal and hexadecimal
- Links to website to download latest version of Revolution® and iRev® (on CD)
- Link to freeware terminal program download (PUTTY, Hercules, RealTerm, etc.)
- Load cell color wire chart
- Weigh Modules and Vessel Weighing Handbook PN 43918
- Load Cell and Weigh Module Handbook PN 22054



## PN 118432

### Small Screwdriver \$3.00



# Health Scales

## TABLE OF CONTENTS

<b>RL-330HHD/RL-330HHL</b> ..... 456 <i>Dial Home Health Scale</i>	<b>250-10-4</b> ..... 477 <i>Bariatric Handrail Scale</i>
<b>DHH-10</b> ..... 457 <i>Digital Home Health Scale</i>	<b>RL-MCS</b> ..... 478 <i>Mechanical Chair Scale</i>
<b>RL-MPS</b> ..... 458 <i>Mechanical Physician Scale</i>	<b>560-10-1</b> ..... 479 <i>Digital Chair Scale</i>
<b>RL-MPS-10</b> ..... 459 <i>Mechanical Physician Scale</i>	<b>550-10-1</b> ..... 480 <i>Digital Chair Scale</i>
<b>RL-MPS-20</b> ..... 460 <i>Mechanical Physician Scale</i>	<b>350-10-3M</b> ..... 481 <i>Dual-ramp Wheelchair Scale</i>
<b>RL-MPS-30</b> ..... 461 <i>Mechanical Physician Scale</i>	<b>350-10-2</b> ..... 482 <i>Single-Ramp Wheelchair Scale</i>
<b>RL-MPS-40</b> ..... 462 <i>Mechanical Physician Scale</i>	<b>350-10-7</b> ..... 483 <i>Single-ramp Wheelchair Platform Scale</i>
<b>RL-MPS-50</b> ..... 463 <i>Mechanical Physician Scale</i>	<b>350-10-3</b> ..... 484 <i>Dual-ramp Wheelchair Scale</i>
<b>150-10-5</b> ..... 464 <i>Digital Physician Scale</i>	<b>350-10-4</b> ..... 485 <i>Dual-ramp Wheelchair Scale</i>
<b>150-10-6</b> ..... 465 <i>Digital Physician Scale</i>	<b>350-10-8</b> ..... 486 <i>Dual-ramp Wheelchair Platform Scale</i>
<b>150-10-7</b> ..... 466 <i>Digital Physician Scale</i>	<b>RL-350-5</b> ..... 487 <i>Single-ramp Portable Bariatric Wheelchair Scale</i>
<b>RL-WMS-10</b> ..... 467 <i>Wall Mount Stadiometer</i>	<b>RL-350-6</b> ..... 488 <i>Dual-ramp Portable Bariatric Wheelchair Scale</i>
<b>RL-MIS</b> ..... 468 <i>Mechanical Baby Scale</i>	<b>SB-1150 Summit™</b> ..... 489 <i>Bariatric Wheelchair Scale</i>
<b>RL-MIS-20</b> ..... 469 <i>Mechanical Baby Scale</i>	<b>SD-1150-WP</b> ..... 490 <i>Dialysis Wheelchair Scale Pit Frame Concrete Details</i>
<b>Suspended Infant Scale</b> ..... 470 <i>Digital Baby Scale</i>	<b>350-10-8S</b> ..... 492 <i>Digital Stretcher Scale</i>
<b>RL-DBS</b> ..... 471 <i>Digital Baby Scale</i>	
<b>RL-DBS-2</b> ..... 472 <i>Digital Baby Scale</i>	
<b>650-10-1</b> ..... 473 <i>Neonatal Scale</i>	
<b>RL-PCT-10</b> ..... 474 <i>Pediatric Circumference Tape</i>	
<b>260-10-1</b> ..... 475 <i>Bariatric Handrail Scale</i>	
<b>250-10-2</b> ..... 476 <i>Bariatric Handrail Scale</i>	

Product names, logos, brands and other trademarks featured or referred to within this publication are the property of their respective trademark holders.



# RL-330HHD/RL-330HHL

Dial Home Health Scale

HEALTH SCALES



Model RL-330HHD



Model RL-330HHL

## Standard Features

- Durable steel base and platform
- Nonslip mat
- Large dial display
- Units of measure: lb (RL-330HHL); lb, kg (RL-330HHD)
- Colorful markers to track weight values

## Specifications

### Capacity:

RL-330HHL: 330 × 1 lb (150 × 0.5 kg)  
RL-330HHD: 330 × 1 lb

### Warranty:

One-year limited

## Part Number/Price

Part #	Model #	Capacity	Price
110592	RL-330HHL	330 × 1 lb (lb markings only)	\$66.00
113500	RL-330HHD	330 × 1 lb (150 × 0.5 kg) (lb and kg)	\$66.00

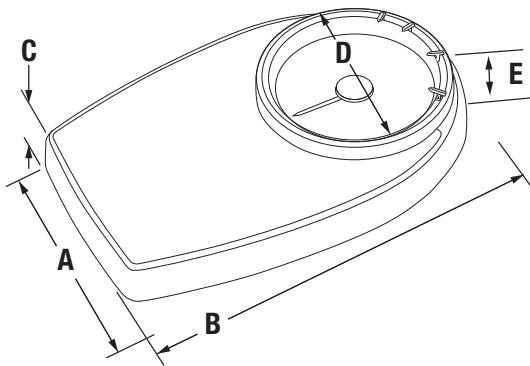
## Shipping Weight

Part #	Model #	L × W × H	Package Wgt. (lb)	Dim Wgt. (lb)	Shipping Wgt. (lb)
110592	RL-330HHL	19 × 13 × 5 in	9	9	9
113500	RL-330HHD	19 × 12 × 6 in	9	10	10

## Dimensions

	Inches	Centimeters
A	11.2	28.5
B	16.9	43.0
C	2.5	6.4
D	7.9	20.1
E	0.39	8.3

E: (height includes plastic cover)





# DHH-10

Digital Home Health Scale

HEALTH SCALES



Model DHH-10

### Standard Features

- 8 mm tempered safety glass weighing surface
- Low battery indication
- Display lb or kg
- Large LCD display

### Specifications

- Capacity:**  
440 × 0.2 lb (200 × 0.1 kg)
- Dimensions:**  
(L × W × H)  
11.8 × 15.4 × 1.0 in
- Battery Type:**  
Two AAA alkaline batteries (included)
- Display:**  
Digit size: 1.75 in
- Warranty:**  
One-year limited
- Approvals:**  
CE Approved

Approvals



### Part Number/Price

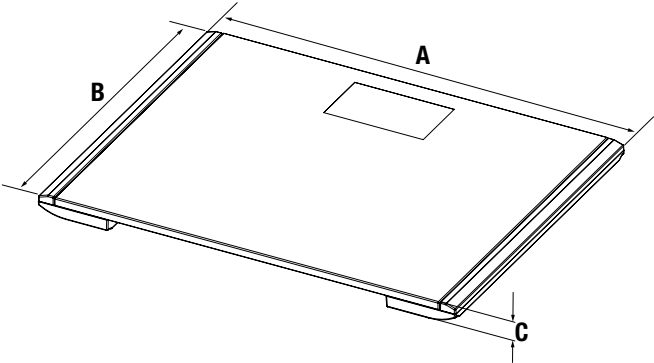
Part #	Model #	Capacity	Price
201124	DHH-10	440 × 0.2 lb (200 × 0.1 kg)	\$68.00

### Shipping Weight

Part #	Model #	L × W × H	Package Wgt. (lb)	Dim Wgt. (lb)	Shipping Wgt. (lb)
Single Carton					
201124	DHH-10	17 × 13 × 2 in	6.5	3.0	6.5

### Dimensions

	Inches	Centimeters
A	15.4	39.0
B	11.8	30.0
C	1.0	2.5



# RL-MPS

Mechanical Physician Scale

HEALTH SCALES



## Standard Features

- Sturdy, enameled steel body
- Painted beam
- Rugged scale understructure
- Durable wheels for easy transport
- Easy operation with two sliding weights
- Removable slip-resistant scale base cover
- Aluminum height rod

## Specifications

### Capacity:

440 lb × 4 oz (200 kg × 100 g)

### Platform Dimensions:

(L × W × H)  
14.75 × 10.75 × 4.13 in

### Height Rod:

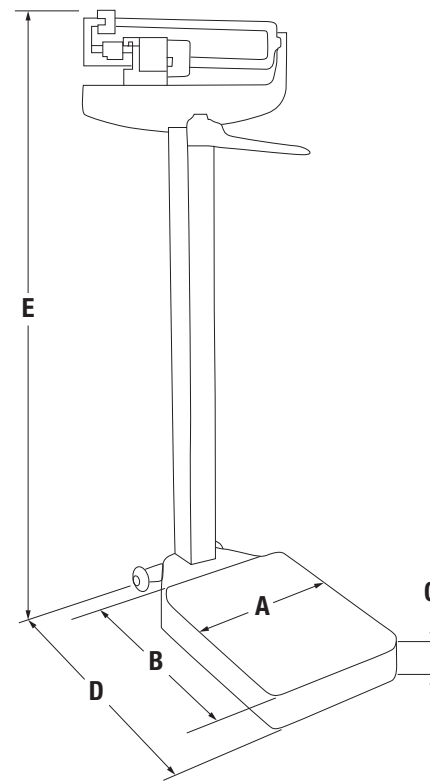
Measures 24 to 84 in  
(60 to 212 cm)

### Height Division:

0.125 in (0.1 cm)

### Warranty:

Two-year limited



## Part Number/Price

Part #	Model #	Capacity	Price
102613	RL-MPS	440 lb × 4 oz (200 kg × 100 g)	\$345.00

## Shipping Weight

Part #	Model #	L × W × H	Package Wgt. (lb)	Dim Wgt. (lb)	Shipping Wgt. (lb)
102613	RL-MPS	60 × 21 × 7 in	42	64	64

## Dimensions

	Inches	Centimeters
A	10.8	27.4
B	14.8	37.6
C	4.1	10.4
D	22.3	56.6
E	58.5	148.6

# RL-MPS-10

Mechanical Physician Scale

HEALTH SCALES



## Standard Features

- Sturdy, enameled steel body
- Painted beam
- Rugged scale understructure
- Durable wheels for easy transport
- Easy operation with two sliding weights
- Removable slip-resistant scale base cover
- Aluminum height rod

## Specifications

### Capacity:

450 lb × 4 oz

### Platform Dimensions:

(L × W × H)

14.75 × 10.75 × 4.13 in

### Height Rod:

Measures 24 to 84 in

(60 to 212 cm)

### Height Division:

0.125 in

### Warranty:

Two-year limited

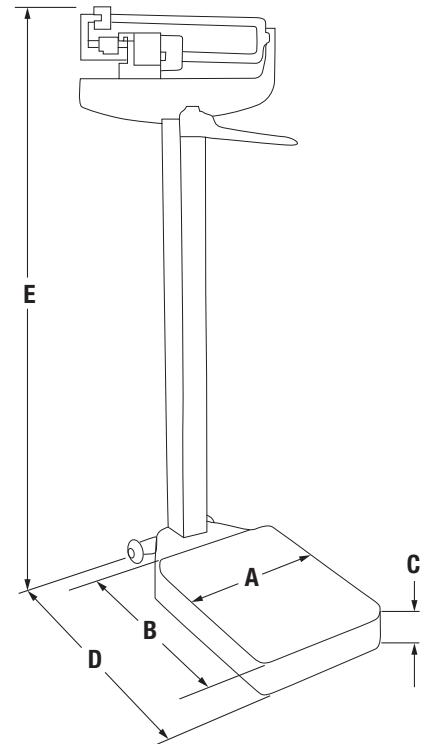
Model RL-MPS-10

## Part Number/Price

Part #	Model #	Capacity	Price
124223	RL-MPS-10	450 lb × 4 oz	\$345.00

## Shipping Weight

Part #	Model #	L × W × H	Package Wgt. (lb)	Dim Wgt. (lb)	Shipping Wgt. (lb)
124223	RL-MPS-10	60 × 21 × 7 in	42	64	64



## Dimensions

	Inches	Centimeters
A	10.8	27.4
B	14.8	37.6
C	4.1	10.4
D	22.3	56.6
E	58.5	148.6

# RL-MPS-20

Mechanical Physician Scale

HEALTH SCALES



Model RL-MPS-20



## Standard Features

- Sturdy, enameled steel body
- Painted beam
- Rugged scale understructure
- Easy operation with two sliding weights
- Removable slip-resistant scale base cover

## Specifications

### Capacity:

440 lb × 4 oz (200 kg × 100 g)

### Platform Dimensions:

(L × W × H)  
14.75 × 10.75 × 4.13 in

### Warranty:

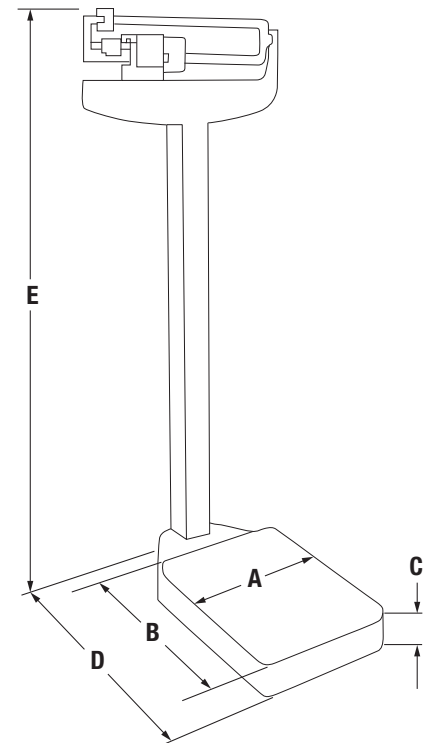
Two-year limited

## Part Number/Price

Part #	Model #	Capacity	Price
124222	RL-MPS-20	440 lb × 4 oz (200 kg × 100 g)	\$330.00

## Shipping Weight

Part #	Model #	L × W × H	Package Wgt. (lb)	Dim Wgt. (lb)	Shipping Wgt. (lb)
124222	RL-MPS-20	60 × 21 × 7 in	36	64	64



## Dimensions

	Inches	Centimeters
A	10.8	27.4
B	14.8	37.6
C	4.1	10.4
D	22.3	56.6
E	58.5	148.6

# RL-MPS-30

Mechanical Physician Scale

HEALTH SCALES



## Standard Features

- Sturdy, enameled steel body
- Painted beam
- Rugged scale understructure
- Handpost
- Durable wheels for easy transport
- Easy operation with two sliding weights
- Removable slip-resistant scale base cover
- Aluminum height rod

## Specifications

### Capacity:

180 kg x 100 g

### Platform Dimensions:

(L x W x H)

37.5 x 27.5 x 10.5 cm

### Height Rod:

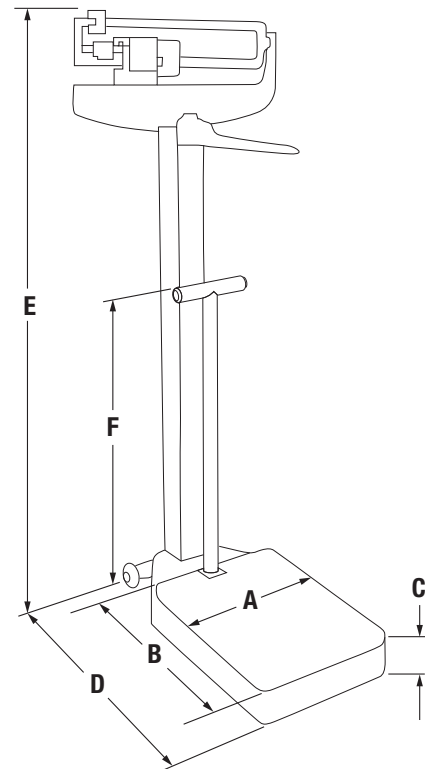
Measures 60 to 212 cm

### Height Division:

0.1 cm

### Warranty:

Two-year limited



## Part Number/Price

Part #	Model #	Capacity	Price
132703	RL-MPS-30	180 kg x 100 g	\$385.00

## Shipping Weight

Part #	Model #	L x W x H	Package Wgt. (lb)	Dim Wgt. (lb)	Shipping Wgt. (lb)
132703	RL-MPS-30	60 x 21 x 7 in	40	64	64

## Dimensions

	Inches	Centimeters
A	10.8	27.4
B	14.8	37.6
C	4.1	10.4
D	22.3	56.6
E	58.5	148.6
F	31.5	80.0

# RL-MPS-40

Mechanical Physician Scale

HEALTH SCALES



Model RL-MPS-40



## Standard Features

- Dual-read capacity and height rod
- Sturdy enameled steel body
- Painted beam designed to hold counterpoise weights
- Rugged scale understructure
- Removable slip-resistant plastic base cover
- Retractable aluminum height rod
- Easy operation with two sliding weights and two counterpoise weights (included)
- Rear wheels for portability ease
- Aluminum height rod

## Specifications

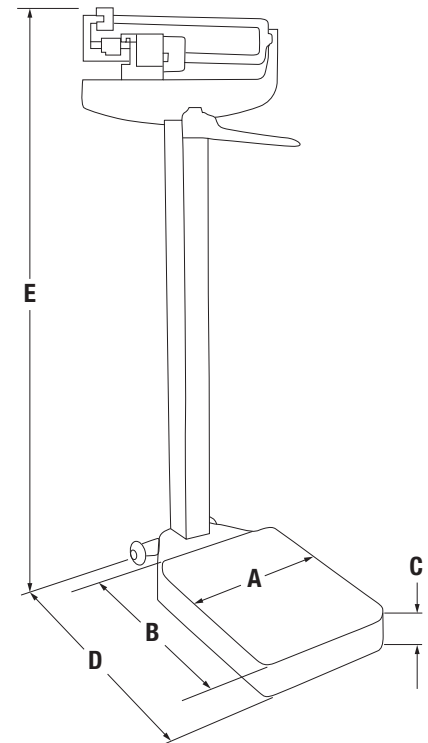
**Capacity with Counterpoise Weights:**  
490 lb × 4 oz (220 kg × 100 g)

**Platform Dimensions:**  
(L × W × H)  
14.75 × 10.75 × 4.13 in

**Height Rod:**  
Measures 24 to 84 in  
(60 to 212 cm)

**Height Division:**  
0.125 in (0.1 cm)

**Warranty:**  
Two-year limited



## Part Number/Price

Part #	Model #	Capacity	Price
185289	RL-MPS-40	490 lb × 4 oz (220 kg × 100 g)	\$375.00

## Shipping Weight

Part #	Model #	L × W × H	Package Wgt. (lb)	Dim Wgt. (lb)	Shipping Wgt. (lb)
185289	RL-MPS-40	60 × 21 × 7 in	44	64	64

## Dimensions

	Inches	Centimeters
A	10.8	27.4
B	14.8	37.6
C	4.1	10.4
D	22.3	56.6
E	58.5	148.6



# RL-MPS-50

Mechanical Physician Scale

HEALTH SCALES



Model RL-MPS-50



## Standard Features

- Ease of transport with rear wheels
- Aluminum height rod included
- Poise travels free on weigh beam with simple finger tap
- Easy-to-read weigh beam's color-coded black inset shows LB markings, white inset shows KG markings. The beam can be rotated to the desired unit of measure.
- Aluminum height rod

## Specifications

### Capacity:

450 lb × 4 oz (200 kg × 100 g)

### Platform Dimensions:

(L × W × H)

14.96 × 11.02 × 4.21 in

### Height Rod:

Measures 29.50 to 78.75 in

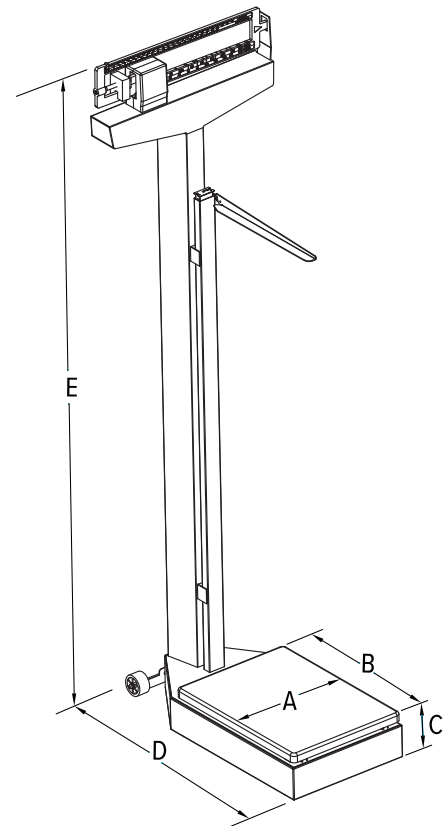
(75 to 200 cm)

### Height Division:

0.25 in (5 mm)

### Warranty:

Two-year limited



## Part Number/Price

Part #	Model #	Capacity	Price
195264	RL-MPS-50	450 lb × 4 oz (200 kg × 100 g)	\$345.00

## Shipping Weight

Part #	Model #	L × W × H	Package Wgt. (lb)	Dim Wgt. (lb)	Shipping Wgt. (lb)
195264	RL-MPS-50	60 × 21 × 5 in	39	46	46



KG



LB

## Dimensions

	Inches	Centimeters
A	11.0	28.9
B	15.0	38.1
C	4.2	10.7
D	22.2	56.4
E	58.9	149.6

# 150-10-5

Digital Physician Scale

HEALTH SCALES



## Standard Features

- Large, stable scale base
- Integrated height rod
- Non-slip rubber mat, removable for cleaning
- Rubber wheels for easy transport
- Push-button LCD display
- Unit of measure toggle or locking
- Motiontrap™ movement compensation technology
- EHR capable
- USB or Bluetooth® BLE 4.0 available, part number selectable
- Hold function
- Zero function
- BMI (body mass index) function
- Factory calibrated

## Specifications

### Capacity:

550 × 0.2 lb (250 × 0.1 kg)

### Platform Dimensions:

(L × W × H)  
14.5 × 14.5 × 3 in

### Height Rod:

Measures from 27.50 to 82.00 in  
(70 to 208 cm)

### Power:

9 VDC, provided by six AA alkaline batteries (included) or AC adapter (optional)

### Battery Type:

Six AA alkaline (included)

### Battery Use:

25 hours continuous use with batteries  
Automatic power-off can be configured

### Operating Temperature:

50 °F to 104 °F (10 °C to 40 °C)

### Display:

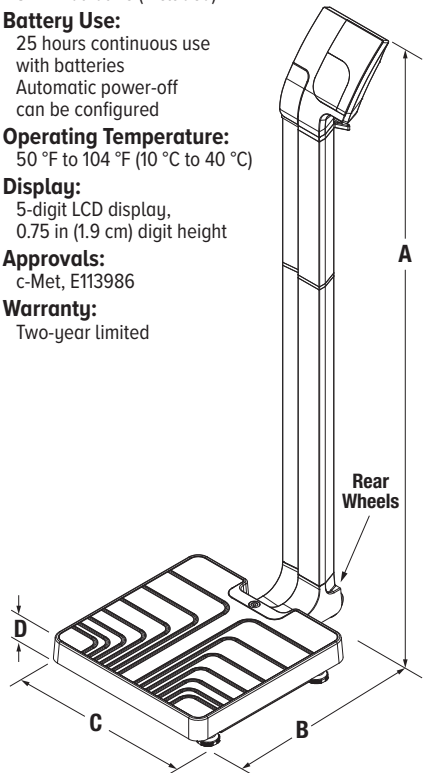
5-digit LCD display,  
0.75 in (1.9 cm) digit height

### Approvals:

c-Met, E113986

### Warranty:

Two-year limited



## Approvals



## Part Number/Price

Part #	Model #	Capacity	Price
119113	150-10-5	550 × 0.2 lb (250 × 0.1 kg) with USB	\$630.00
194726	150-10-5BLE	550 × 0.2 lb (250 × 0.1 kg) with Bluetooth® BLE 4.0	\$865.00

## Shipping Weight

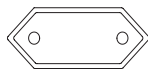
Part #	Model #	L × W × H	Package Wgt. (lb)	Dim Wgt. (lb)	Shipping Wgt. (lb)
119113	150-10-5	30 × 18 × 9 in	26	35	35
194726	150-10-5BLE	30 × 18 × 9 in	26	35	35

## Options/Accessories

Part #	Description	Price
115655 †	9 VDC adapter, 120 V/230 V auto switching c-MET medical grade power supply	\$43.00
133077 †	9 VDC adapter, 120 V/230 V auto switching	\$25.00
102508 ††	9 VDC adapter, 230 V	\$30.00
81076	Epson TM-U220 tape printer	\$445.00
186830	Printer cable, 25-pin D-Sub male to RJ-45, 6 ft	\$69.00



† NEMA 1-15 Plug



†† CEE 7/16 Plug

## Dimensions

	Inches	Centimeters
A	54.0	137.2
B	22.4	57.0
C	14.7	37.5
D	3.0	7.6



### Standard Features

- Large, stable scale base
- Rubber wheels for easy transport
- Non-slip rubber mat, removable for cleaning
- Push-button LCD display
- Unit of measure toggle or locking
- Motiontrap™ movement compensation technology
- EHR capable
- USB or Bluetooth® BLE 4.0 available, part number selectable
- Hold function
- Zero function
- BMI (body mass index) function
- Factory calibrated

### Specifications

**Capacity:**

550 × 0.2 lb (250 × 0.1 kg)

**Platform Dimensions:**

(W × L × H) 14.5 × 14.5 × 3 in

**Power:**

9 VDC, provided by six AA alkaline batteries (included) or AC adapter (optional)

**Battery Type:**

Six AA alkaline (included)

**Battery Use:**

25 hours continuous use with batteries  
Automatic power-off can be configured

**Operating Temperature:**

50 °F to 104 °F (10 °C to 40 °C)

**Display:**

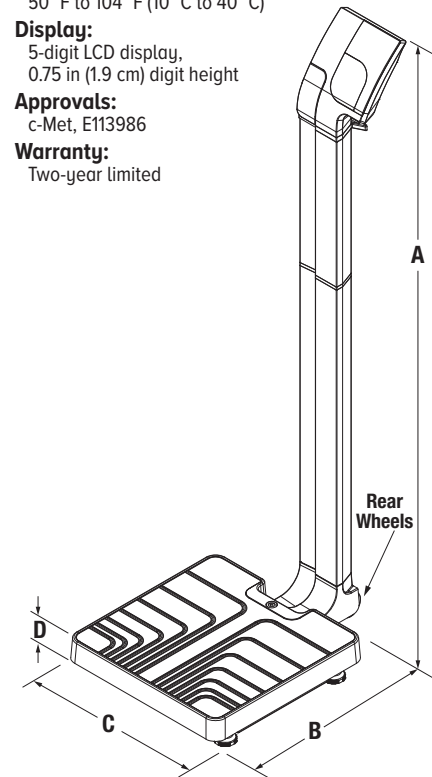
5-digit LCD display,  
0.75 in (1.9 cm) digit height

**Approvals:**

c-Met, E113986

**Warranty:**

Two-year limited



Approvals



Part Number/Price

Part #	Model #	Capacity	Price
161786	150-10-6	550 × 0.2 lb (250 × 0.1 kg) with USB	\$610.00
194732	150-10-6BLE	550 × 0.2 lb (250 × 0.1 kg) with Bluetooth® BLE 4.0	\$845.00

Shipping Weight

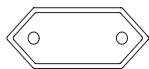
Part #	Model #	L × W × H	Package Wgt. (lb)	Dim Wgt. (lb)	Shipping Wgt. (lb)
161786	150-10-6	30 × 19 × 9 in	25	37	37
194732	150-10-6BLE	30 × 19 × 9 in	25	37	37

Options/Accessories

Part #	Description	Price
115655 †	9 VDC adapter, 120 V/230 V auto switching c-MET medical grade power supply	\$43.00
133077 †	9 VDC adapter, 120 V/230 V auto switching	\$25.00
102508 ††	9 VDC adapter, 230 V	\$30.00
81076	Epson TM-U220 tape printer	\$445.00
186830	Printer cable, 25-pin D-Sub male to RJ-45, 6 ft	\$69.00



† NEMA 1-15 Plug



†† CEE 7/16 Plug

Dimensions

	Inches	Centimeters
A	48.4	123.0
B	22.4	57.0
C	14.7	37.5
D	3.0	7.6

# 150-10-7

Digital Physician Scale

HEALTH SCALES



Model 150-10-7

## Standard Features

- Large, stable scale base
- Push-button LCD display
- Non-slip rubber mat, removable for cleaning
- Unit of measure toggle or locking
- Motiontrap™ movement compensation technology
- EHR capable
- USB or Bluetooth® BLE 4.0 available, part number selectable
- Hold function
- Zero function
- BMI (body mass index) function
- Factory calibrated

## Specifications

### Capacity:

550 × 0.2 lb (250 × 0.1 kg)

### Platform Dimensions:

(W × L × H)

14.5 × 14.5 × 3 in

### Power:

9 VDC, provided by six AA alkaline batteries (included) or AC adapter (optional)

### Operating Temperature:

50 °F to 104 °F (10 °C to 40 °C)

### Battery Type:

Six AA alkaline (included)

### Battery Use:

25 hours continuous use with batteries  
Automatic power-off can be configured

### Cable Length:

6 ft (1.8 m) cable between scale base and indicator

### Display:

5-digit LCD display, 0.75 in (1.9 cm) digit height

### Approvals:

c-Met, E113986

### Warranty:

Two-year limited

## Approvals



## Part Number/Price

Part #	Model #	Capacity	Price
121304	150-10-7	550 × 0.2 lb (250 × 0.1 kg) with USB	\$490.00
194728	150-10-7BLE	550 × 0.2 lb (250 × 0.1 kg) with Bluetooth® BLE 4.0	\$725.00

## Shipping Weight

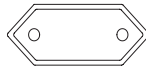
Part #	Model #	L × W × H	Package Wgt. (lb)	Dim Wgt. (lb)	Shipping Wgt. (lb)
121304	150-10-7	25 × 18 × 6 in	17	20	20
194728	150-10-7BLE	25 × 18 × 6 in	17	20	20

## Options/Accessories

Part #	Description	Price
102508 ††	9 VDC adapter, 230 V	\$30.00
107445	Carrying case	\$92.00
115655 †	9 VDC adapter, 120 V/230 V auto switching c-MET medical grade power supply	\$43.00
133077 †	9 VDC adapter, 120 V/230V auto switching	\$25.00
81076	Epson TM-U220 tape printer	\$445.00
186830	Printer cable, 25-pin D-Sub male to RJ-45, 6 ft	\$69.00



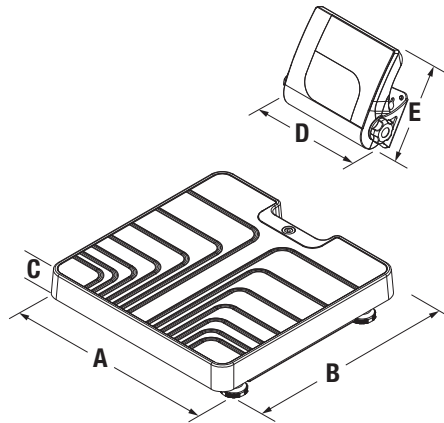
† NEMA 1-15 Plug



†† CEE 7/16 Plug

## Dimensions

	Inches	Centimeters
A	14.7	37.5
B	14.7	37.5
C	3.0	7.6
D	7.8	20.0
E	6.7	17.0



# RL-WMS-10

Wall Mount Stadiometer

HEALTH SCALES



## Standard Features

- Aluminum construction
- Folding headpiece makes the product compact when not in use
- Measures both inches and centimeters
- Hardware included for mounting to metal, wood or drywall walls

## Specifications

**Measurement Range:**  
23 to 82 in (60 to 210 cm)

**Height Divisions:**  
1/16 in (1 mm)

**Warranty:**  
One-year limited



## Part Number/Price

Part #	Model #	Measuring Range × Graduation Length	Price
Single Carton			
206553	RL-WMS-10	23 to 82 × 1/16 in (60 to 120 cm × 1 mm)	\$103.00

# RL-MIS

Mechanical Baby Scale

HEALTH SCALES



## Standard Features

- Painted beam
- Sturdy, enameled steel body
- Easy-to-clean ABS plastic tray
- Dual-read capacity; lb and kg
- Built-in measuring tape

## Specifications

**Capacity:**  
135 lb × 1 oz (62 kg × 20 g)

**Measuring Tape:**  
Measures 0 to 23 in  
(0 to 58 cm)

**Warranty:**  
Two-year limited

## Part Number/Price

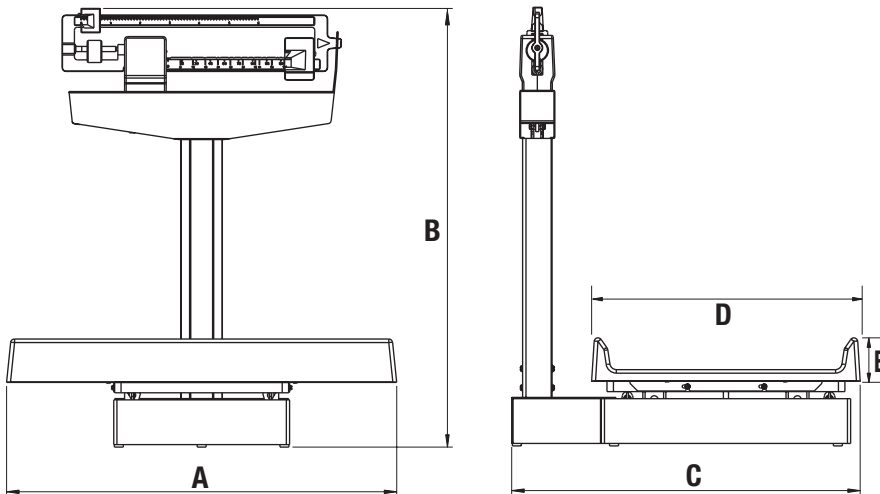
Part #	Model #	Capacity	Price
131470	RL-MIS	135 lb × 1 oz (62 kg × 20 g)	\$370.00

## Shipping Weight

Part #	Model #	L × W × H	Package Wgt. (lb)	Dim Wgt. (lb)	Shipping Wgt. (lb)
131470	RL-MIS	28 × 20 × 14 in	30	57	57

## Dimensions

	Inches	Centimeters		Inches	Centimeters
A	24.0	61.0	D	16	41
B	27.0	68.6	E	3	7.6
C	21.5	54.5			





# RL-MIS-20

Mechanical Baby Scale



## Standard Features

- Painted beam
- Sturdy, enameled steel body
- Easy-to-clean ABS plastic tray
- Unit of measure: kg
- Built-in measuring tape

## Specifications

- Capacity:**  
70 kg × 20 g
- Measuring Tape:**  
Measures 0 to 58 cm
- Warranty:**  
Two-year limited

## Part Number/Price

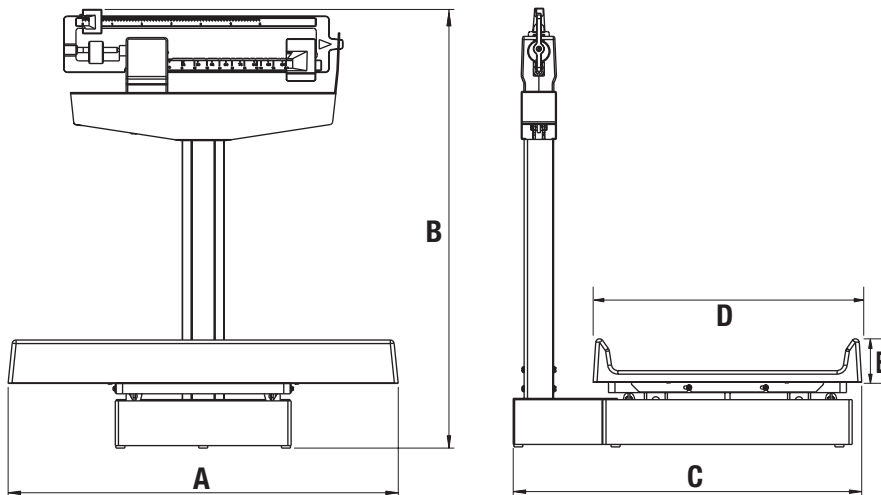
Part #	Model #	Capacity	Price
131471	RL-MIS-20	70 kg × 20 g	\$370.00

## Shipping Weight

Part #	Model #	L × W × H	Package Wgt. (lb)	Dim Wgt. (lb)	Shipping Wgt. (lb)
131471	RL-MIS-20	28 × 20 × 14 in	30	57	57

## Dimensions

	Centimeters		Centimeters
A	61.0	D	41
B	68.6	E	7.6
C	54.5		



# Suspended Infant Scale

Digital Baby Scale

HEALTH SCALES



## Standard Features

- Hold function
- Units of measure: lb/lb-oz/kg
- Adjustable automatic shut-off
- Ergonomic handheld design
- Battery operated, two AA batteries (included)
- Carrying case and top s-hook (included)
- Captured lower hook, removable upper hook (both hooks included)

## Specifications

### Capacity:

- OS-10:**  
 22 lb × 0.02 lb  
 22 lb × 0.25 oz  
 10 kg × 0.01 kg
- OS-25:**  
 55 lb × 0.05 lb  
 55 lb × 0.5 oz  
 25 kg × 0.02 kg
- OS-45:**  
 99 lb × 0.1 lb  
 99 lb × 1 oz  
 45 kg × 0.05 kg

### Power:

Two AA batteries (included)

### Operating Temperature:

32 °F to 104 °F (0 °C to 40 °C)

### Warranty:

One-year limited

### Approvals:

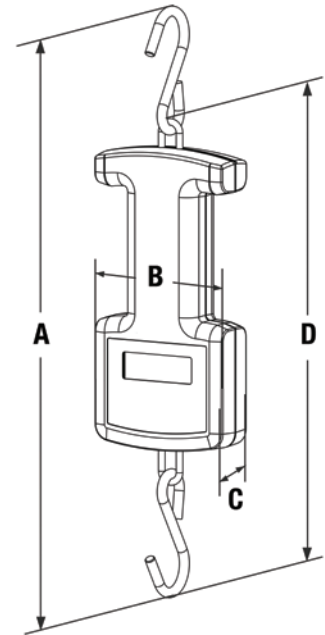
CE Approved

Approvals



## Part Number/Price

Part #	Model	Capacity	Est. Weight	Price
130292	OS-10	10 kg × 0.01 kg (22 lb × 0.02 lb) (22 lb × 1/4 oz)	1.25 lb	\$95.00
130293	OS-25	25 kg × 0.02 kg (55 lb × 0.05 lb) (55 lb × 1/2 oz)	1.25 lb	\$95.00
130294	OS-45	45 kg × 0.05 kg (99 lb × 0.1 lb) (99 lb × 1 oz)	1.25 lb	\$95.00



## Dimensions

	Inches	Centimeters
A	14.3	36.3
B	3.6	9.2
C	1.3	3.2
D	11.6	29.4



## Standard Features

- Large 1-inch LCD display
- Unit of measure locking
- Recall function to view last weight
- Automatic shut-off for long battery life
- Built-in measuring tape 0 to 22.5 in (0 to 57 cm)
- Optional carrying case

## Specifications

### Capacity:

44 lb × 0.5 oz (20 kg × 10 g)

### Power:

Four AA alkaline batteries (included)  
or AC adapter (included)

### Battery Type

Four AA alkaline (included)

### Approvals:

AC adapter: cULus

### Warranty:

Two-year limited

## Part Number/Price

Part #	Model #	Capacity	Price
107423	RL-DBS	44 lb × 0.5 oz (20 kg × 10 g), includes 120 VAC adapter	\$152.00
112571	RL-DBS	44 lb × 0.5 oz (20 kg × 10 g), includes 230 VAC adapter	\$152.00

## Shipping Weight

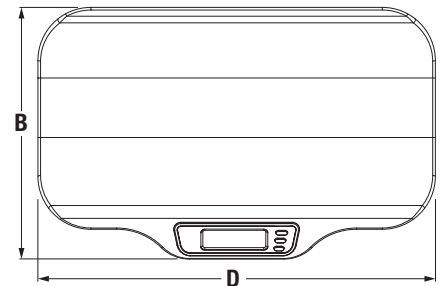
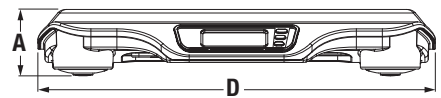
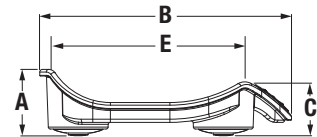
Part #	Model #	L × W × H	Package Wgt. (lb)	Dim Wgt. (lb)	Shipping Wgt. (lb)
107423	RL-DBS 120V	27 × 18 × 7 in	10	21	21
112571	RL-DBS 230V	27 × 18 × 7 in	10	21	21

## Options/Accessories

Part #	Description	Price
112570	Carrying case	\$56.00



Optional Transport/Carrying Case



## Dimensions

	Inches	Centimeters
A	3.9	10.0
B	15.0	38.0
C	3.1	7.9
D	23.6	60.0
E	11.0	27.9

# RL-DBS-2

Digital Baby Scale

HEALTH SCALES



Model RL-DBS-2

## Standard Features

- Large 1-inch LCD display
- Dual-range capacity for increased precision from 0 to 22 lb
- Accuracy within 5 g
- Unit of measure locking
- Recall function to view last weight
- Automatic shut-off for long battery life
- Built-in measuring tape 0 to 22.5 in (0 to 57 cm)
- Optional carrying case

## Specifications

### Capacity:

- 0 to 22 lb × 0.2 oz
- (0 to 10 kg × 5 g)
- 22 to 44 lb × 0.5 oz
- (10 to 20 kg × 10 g)

### Power:

- Four AA alkaline batteries (included)
- or AC adapter (included)

### Battery Type:

- Four AA alkaline (included)

### Approvals:

- AC adapter: cULus

### Warranty:

- Two-year limited

## Part Number/Price

Part #	Model #	Capacity	Price
155922	RL-DBS-2	0-22 lb × 0.2 oz, 22 to 44 lb × 0.5 oz (0 to 10 kg × 5 g, 10 to 20 kg × 10 g) includes 120 VAC adapter	\$180.00
155923	RL-DBS-02	0-22 lb × 0.2 oz, 22-44 lb × 0.5 oz (0 to 10 kg × 5 g, 10 to 20 kg × 10 g) includes 230 VAC adapter	\$180.00

## Shipping Weight

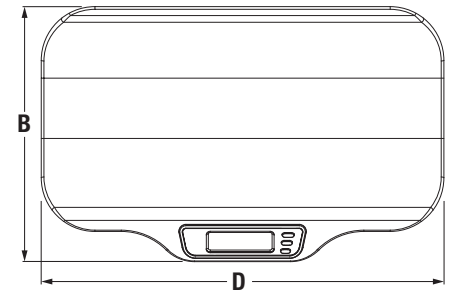
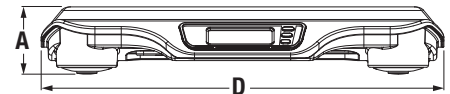
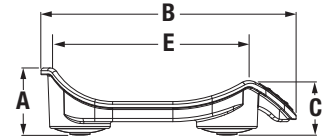
Part #	Model #	L × W × H	Package Wgt. (lb)	Dim Wgt. (lb)	Shipping Wgt. (lb)
155922	RL-DBS-2 120V	28 × 18 × 6 in	10	22	22
155923	RL-DBS-2 230V	28 × 18 × 6 in	10	22	22

## Options/Accessories

Part #	Description	Price
112570	Carrying Case	\$56.00



Optional Transport/Carrying Case



## Dimensions

	Inches	Centimeters
A	3.9	10.0
B	15.0	38.0
C	3.1	7.9
D	23.6	60.0
E	11.0	27.9



Model 650-10-1

### Standard Features

- LCD display
- Dual-range capacity for increased precision
- Unit of measure locking
- Automatic shut-off for long battery life
- Motiontrap™ movement compensation technology
- Built-in measuring tape

### Specifications

**Capacity:**

Range 1: 0 to 10 lb × 0.05 oz (0 to 5 kg × 1 g)  
 Range 2: 10 to 33 lb × 0.1 oz (5 to 15 kg × 2 g)

**Power:**

9 VDC, provided by six AA lithium batteries (included) or AC adapter (optional)

**Measuring Tape:**

0 to 23.5 in × 0.125 in  
 (0 to 60 cm × 0.25 cm)

**Battery Type:**

Six LifeS2 batteries

**Operating Temperature:**

50 °F to 95 °F (10 °C to 35 °C)

**Display:**

5-digit LCD display, 0.75 in (1.9 mm) digit height

**Approvals:**

c-Met E113986

**Warranty:**

Two-year limited

Approvals



### Part Number/Price

Part #	Model #	Capacity	Price
161784	650-10-1	0-10 lb × 0.05 oz, 10-33 lb × 0.1 oz (0 to 5 kg × 1 g, 5 to 15 kg × 2 g)	\$970.00

### Shipping Weight

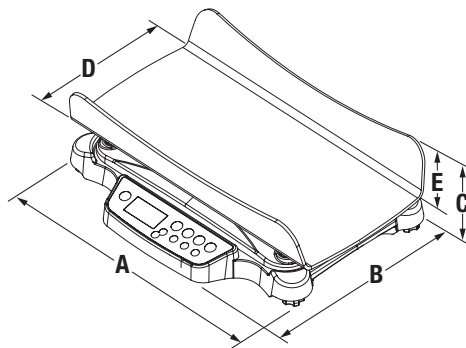
Part #	Model #	L × W × H	Package Wgt. (lb)	Dim Wgt. (lb)	Shipping Wgt. (lb)
161784	650-10-1	18 × 28 × 11 in	25	40	40

### Options/Accessories

Part #	Description	Price
165138	AC adapter, input voltage 100-240V, c-Met, medical grade	\$55.00

### Dimensions

	Inches	Centimeters
A	24.0	60.8
B	19.0	48.2
C	6.75	17.1
D	17.0	43.2



# RL-PCT-10

Pediatric Circumference Tape

HEALTH SCALES



## Standard Features

- Button to make tape retract around the measurement surface for accurate body measurements
- Easy-to-read measurements, inches on one side centimeters on the other side
- Compact and portable

## Part Number/Price

Part #	Model #	Measuring Range	Est. Weight	Price
186608	RL-PCT-10	0 to 205 cm × 1 mm; 0 to 80 in × 1/8 in	1 lb	\$6.00





## Standard Features

- Handrail for support and safety
- Two wheels for ease of portability
- Large 1-inch LCD display
- Nonskid platform
- Unit of measure toggle or locking
- Motiontrap™ movement compensation technology
- EHR capable
- Tare function
- Hold function
- BMI (body mass index) function
- Factory calibrated
- Optional height rod can be installed on-site

## Specifications

### Capacity:

800 × 0.2 lb (360 × 0.1 kg)

### Platform Dimensions:

(W × L × H)  
24 in x 24 in x 2.75 in

### Height Rod Dimensions:

30 to 83.125 in (77 to 211 cm)

### Power:

9 VDC, provided by six AA alkaline batteries (included) or AC adapter (optional)

### Battery Type:

Six AA alkaline (included)

### Battery Use:

25 hours continuous use with batteries  
Automatic power-off can be configured

### Display:

5-digit LCD display, 0.75 in (1.9 cm) digit height

### Operating Temperature:

50 °F to 104 °F (10 °C to 40 °C)

### Warranty:

Two-year limited

## Part Number/Price

Part #	Model #	Capacity	Price
170139	260-10-1	800 × 0.2 lb (360 × 0.1 kg) with USB	\$1,175.00

## Shipping Weight

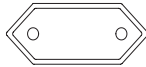
Part #	Model #	L × W × H	Package Wgt. (lb)	Dim Wgt. (lb)	Shipping Wgt. (lb)
170139	260-10-1	40 × 40 × 10 in	58	116	116
172958	Height rod	33 × 9 × 3 in	3	7	7

## Options/Accessories

Part #	Description	Price
133077 †	9 VDC adapter, 120 V/230 V auto switching	\$25.00
102508 ††	9 VDC adapter, 230 V	\$30.00
172958	Height rod 30-83 in (77 to 210 cm)	\$75.00
81076	Epson TM-U220 tape printer	\$445.00
186830	Printer cable, 25-pin D-Sub male to RJ-45, 6 ft	\$69.00



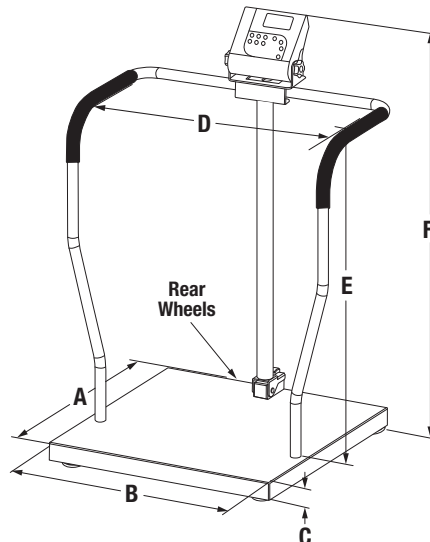
† NEMA 1-15 Plug



†† CEE 7/16 Plug

## Dimensions

	Inches	Centimeters
A	24.0	61.0
B	24.0	61.0
C	2.75	7.0
D	25.5	65.0
E	33.5	85.0
F	43.0	109.0



# 250-10-2

Bariatric Handrail Scale

HEALTH SCALES



Model 250-10-2

Approvals



## Part Number/Price

Part #	Model #	Capacity	Price
133119	250-10-2	1,000 × 0.2 lb (450 × 0.1 kg) with USB	\$1,285.00
194733	250-10-2BLE	1,000 × 0.2 lb (450 × 0.1 kg) Bluetooth® BLE 4.0	\$1,520.00

## Shipping Weight

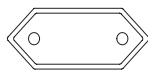
Part #	Model #	L × W × H	Package Wgt. (lb)	Dim Wgt. (lb)	Shipping Wgt. (lb)
133119	250-10-2	45 × 29 × 9 in	66	85	85
194733	250-10-2BLE	45 × 29 × 9 in	66	85	85

## Options/Accessories

Part #	Description	Price
115655 †	9 VDC adapter, 120 V/230 V auto switching c-MET medical grade power supply	\$43.00
133077 †	9 VDC adapter, 120 V/230 V auto switching	\$25.00
102508 ††	9 VDC adapter, 230 V	\$30.00
81076	Epson TM-U220 tape printer	\$445.00
186830	Printer cable, 25-pin D-Sub male to RJ-45, 6 ft	\$69.00



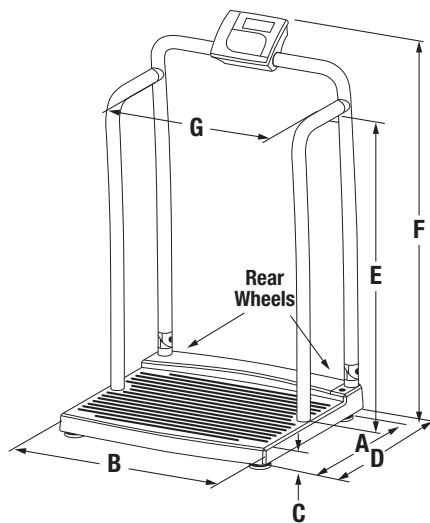
† NEMA 1-15 Plug



†† CEE 7/16 Plug

## Dimensions

	Inches	Centimeters
A	20.0	50.8
B	25.0	63.5
C	3.0	7.6
D	25.0	63.5
E	34.0	86.4
F	44.5	113.0



## Standard Features

- Handrail for support and safety
- Two wheels for ease of portability
- Large 1-inch LCD display
- Nonslip platform
- Unit of measure toggle or locking
- Motiontrap™ movement compensation technology
- EHR capable
- USB or Bluetooth® BLE 4.0 available, part number selectable
- Tare function
- Hold function
- BMI (body mass index) function
- Factory calibrated

## Specifications

### Capacity:

1,000 × 0.2 lb (450 × 0.1 kg)

### Platform Dimensions:

(W × L × H) 20 × 25 × 3 in

### Power:

9 VDC, provided by six AA alkaline batteries (included) or AC adapter (optional)

### Battery Type:

Six AA alkaline (included)

### Battery Use:

25 hours continuous use with batteries  
Automatic power-off can be configured

### Operating Temperature:

50 °F to 104 °F (10 °C to 40 °C)

### Display:

5-digit LCD display, 0.75 in (1.9 cm) digit height

### Approvals:

c-Met, E113986

### Warranty:

Two-year limited



20 INCH  
SEAT WIDTH

Model 250-10-4

### Approvals



### Standard Features

- Handrail for support and safety
- Padded seat with backrest
- Two wheels for ease of portability
- Large 1-inch LCD display
- Nonslip platform
- Unit of measure toggle or locking
- Motiontrap™ movement compensation technology
- EHR capable
- USB or Bluetooth® BLE 4.0 available, part number selectable
- Tare function
- Hold function
- BMI (body mass index) function
- Factory calibrated

### Specifications

#### Capacity:

1,000 × 0.2 lb (450 × 0.1 kg)

#### Platform Dimensions:

(W × L × H)  
20 × 25 × 3 in

#### Power:

9 VDC, provided by six AA alkaline batteries (included) or AC adapter (optional)

#### Battery Type:

Six AA alkaline (included)

#### Battery Use:

25 hours continuous use with batteries  
Automatic power-off can be configured

#### Operating Temperature:

50 °F to 104 °F (10 °C to 40 °C)

#### Display:

5-digit LCD display, 0.75 in (1.9 cm) digit height

#### Approvals:

c-Met, E113986

#### Warranty:

Two-year limited

### Part Number/Price

Part #	Model #	Capacity	Price
133120	250-10-4	1,000 × 0.2 lb (450 × 0.1 kg) with USB	\$2,030.00
194734	250-10-4BLE	1,000 × 0.2 lb (450 × 0.1 kg) Bluetooth® BLE 4.0	\$2,265.00

### Shipping Weight

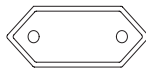
Part #	Model #	L × W × H	Package Wgt. (lb)	Dim Wgt. (lb)	Shipping Wgt. (lb)
133120	250-10-4	32 × 27 × 46 in	70	286	286
194734	250-10-4BLE	32 × 27 × 46 in	70	286	286

### Options/Accessories

Part #	Description	Price
115655 †	9 VDC adapter, 120 V/230 V auto switching c-MET medical grade power supply	\$43.00
133077 †	9 VDC adapter, 120 V/230 V auto switching	\$25.00
102508 ††	9 VDC adapter, 230 V	\$30.00
81076	Epson TM-U220 tape printer	\$445.00
186830	Printer cable, 25-pin D-Sub male to RJ-45, 6 ft	\$69.00



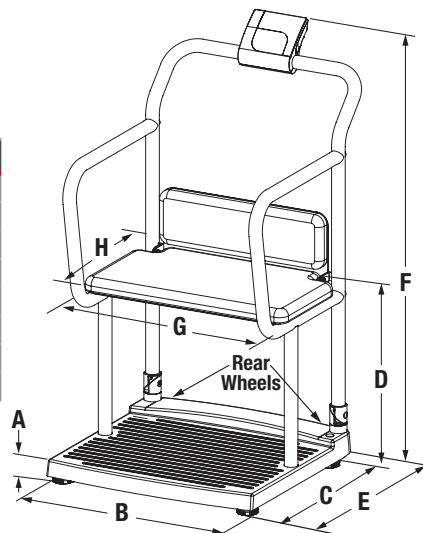
† NEMA 1-15 Plug



†† CEE 7/16 Plug

### Dimensions

	Inches	Centimeters
A	3.0	7.6
B	25.7	65.3
C	25.2	64.0
D	21.6	54.9
E	32.0	81.1
F	47.5	120.7
G	20.0	50.8
H	12.0	30.5



# RL-MCS

Mechanical Chair Scale

HEALTH SCALES



16 INCH SEAT WIDTH

## Standard Features

- Swing-up arms for easy access and exit
- Fold-up footrest
- Sturdy enameled, steel frame
- Dual read die-cast beam
- Polypropylene seat with ABS armrests
- Heavy-duty wheels - two back wheels lock, two front wheels swivel

## Specifications

### Capacity:

Lb only beam 450 lb × 4 oz  
Kg only beam 200 kg × 100 g

### Warranty:

Two-year limited

## Part Number/Price

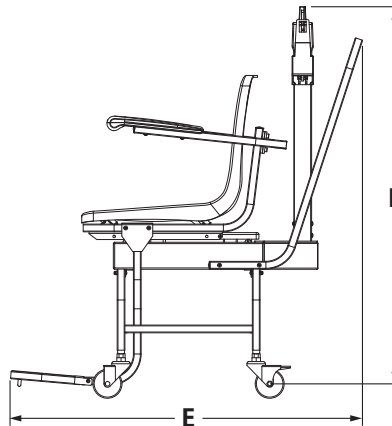
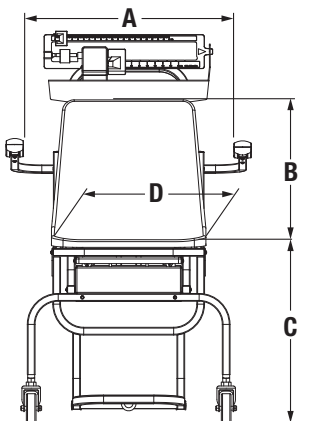
Part #	Model #	Capacity	Price
172098	RL-MCS-LB	450 lb × 4 oz	\$660.00
172099	RL-MCS-KG	200 kg × 100 g	\$660.00

## Shipping Weight

Part #	Model #	L × W × H	Package Wgt. (lb)	Dim Wgt. (lb)	Shipping Wgt. (lb)
172098	RL-MCS-LB	29 × 25 × 25 in	79	131	131
172099	RL-MCS-KG	29 × 25 × 25 in	79	131	131

## Dimensions

	Inches	Centimeters
A	21.5	54.6
B	14.2	36.1
C	14.8	37.6
D	16.0	40.6
E	35.7	90.7
F	38.4	97.5





20 INCH SEAT WIDTH

Model 560-10-1

### Standard Features

- Enameled tubular steel frame
- Four heavy-duty caster wheels (rear wheels locking)
- Swing-up arms
- Side-folding footrests
- Molded seat
- Large 1-inch LCD display
- Unit of measure toggle or locking
- Motiontrap™ movement compensation technology
- EHR capable
- Tare function
- Hold function
- BMI (body mass index) function
- Factory calibrated

### Specifications

**Capacity:**

660 × 0.2 lb (300 × 0.1 kg)

**Display:**

5-digit LCD display, 0.75 in (1.9 cm) digit height

**Power:**

9 VDC provided by six AA alkaline batteries (included) or 120 V/230 VAC adapter (optional)

**Battery Type:**

Six AA alkaline (included)

**Battery Use:**

25 hours continuous use with batteries  
Automatic power-off can be configured

**Warranty:**

Two-year limited

### Part Number/Price

Part #	Model #	Capacity	Price
166644	560-10-1	660 × 0.2lb (300 × 0.1 kg)	\$1,175.00

### Shipping Weight

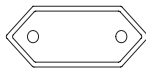
Part #	Model #	L × W × H	Package Wgt. (lb)	Dim Wgt. (lb)	Shipping Wgt. (lb)
166644	560-10-1	33 × 23 × 27 in	65	148	148

### Options/Accessories

Part #	Description	Price
133077 †	9 VDC adapter, 120 V/230 V auto switching	\$25.00
102508 ††	9 VDC adapter, 230 V	\$30.00
81076	Epson TM-U220 tape printer	\$445.00
186830	Printer cable, 25-pin D-Sub male to RJ-45, 6 ft	\$69.00



† NEMA 1-15 Plug

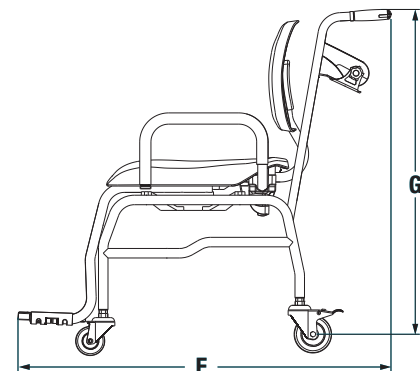
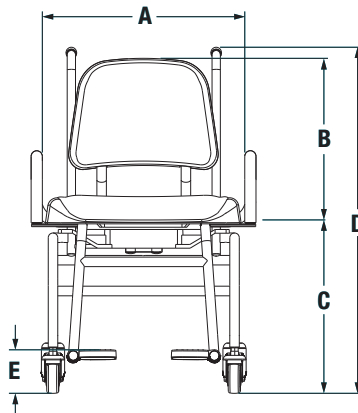


†† CEE 7/16 Plug



### Dimensions

	Inches	Centimeters
A	20.1	51.1
B	17.3	44.0
C	20.1	51.1
D	36.4	92.5
E	5.9	15.0
F	42.9	109.0
G	34.6	88.0



# 550-10-1

Digital Chair Scale

HEALTH SCALES



Model 550-10-1

Approvals



## Part Number/Price

Part #	Model #	Capacity	Price
119114	550-10-1	660 × 0.2 lb (300 × 0.1 kg) with USB	\$1,125.00
194740	550-10-1BLE	660 × 0.2 lb (300 × 0.1 kg) with Bluetooth® BLE 4.0	\$1,360.00

## Shipping Weight

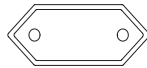
Part #	Model #	L × W × H	Package Wgt. (lb)	Dim Wgt. (lb)	Shipping Wgt. (lb)
119114	550-10-1	29 × 27 × 29 in	54	164	164
194740	550-10-1BLE	29 × 27 × 29 in	54	164	164

## Options/Accessories

Part #	Description	Price
115655 †	9 VDC adapter, 120 V/230 V auto switching c-MET medical grade power supply	\$43.00
133077 †	9 VDC adapter, 120 V/230 V auto switching	\$25.00
102508 ††	9 VDC adapter, 230 V	\$30.00
81076	Epson TM-U220 tape printer	\$445.00
186830	Printer cable, 25-pin D-Sub male to RJ-45, 6 ft	\$69.00



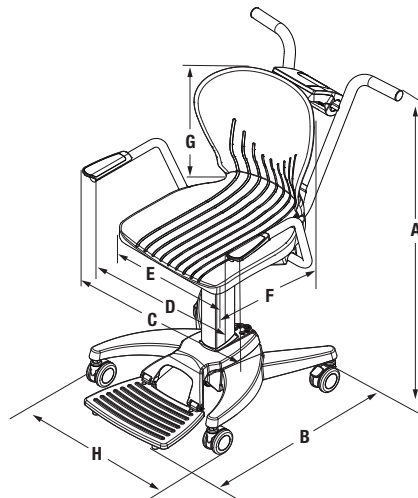
† NEMA 1-15 Plug



†† CEE 7/16 Plug

## Dimensions

	Inches	Centimeters
A	37.4	95.0
B	33.4	85.0
C	25.2	64.0
D	20.5	52.0
E	17.0	43.2
F	16.0	40.6
G	17.0	43.2



## Standard Features

- Enameled tubular steel frame
- Four heavy-duty locking caster wheels
- Swing-up arms
- Flip-up footrest
- Large 1-inch LCD display
- Unit of measure toggle or locking
- Motiontrap™ movement compensation technology
- EHR capable
- USB or Bluetooth® BLE 4.0 available, part number selectable
- Tare function
- Hold function
- BMI (body mass index) function
- Factory calibrated

## Specifications

### Capacity:

660 × 0.2 lb (300 × 0.1 kg)

### Power:

9 VDC provided by six AA alkaline batteries (included) or 120 V/230 VAC adapter (optional)

### Battery Type:

Six AA alkaline (included)

### Battery Use:

25 hours continuous use with batteries  
Automatic power-off can be configured

### Display:

5-digit LCD display, 0.75 in (1.9 cm) digit height

### Operating Temperature:

50 °F to 104 °F (10 °C to 40 °C)

### Approvals:

c-Met, E113986

### Warranty:

Two-year limited



# 350-10-3M

Dual-ramp Wheelchair Scale



Model 350-10-3M



## Standard Features

- Two wheels for portability
- Dual ramp
- Nonslip platform
- Large 1-inch LCD display
- Motiontrap™ movement compensation technology
- Unit of measure toggle or locking
- EHR capable
- USB or Bluetooth® BLE 4.0 available, part number selectable
- Tare function
- Hold function
- BMI (body mass index) function
- Factory calibrated
- Easy to store, folded depth is 11.75 in

## Specifications

### Capacity:

1,000 × 0.2 lb (450 × 0.1 kg)

### Platform Dimensions:

(W × L × H)

31.5 × 29.5 × 3.2 in

### Power:

9 VDC, provided by six AA alkaline batteries (included) or AC adapter (optional)

### Battery Type:

Six AA alkaline (included)

### Battery Use:

25 hours of continuous use with batteries  
Automatic power-off can be configured

### Operating Temperature:

50 °F to 104 °F (10 °C to 40 °C)

### Display:

5-digit LCD display, 0.75 in (1.9 mm) digit height

### Approvals:

c-Met, E113986

### Warranty:

Two-year limited

## Approvals



## Part Number/Price

Part #	Model #	Capacity	Price
193956	350-10-3M	1,000 × 0.2 lb (450 × 0.1 kg) with USB	\$2,165.00
203910	350-10-3MBLE	1,000 × 0.2 lb (450 × 0.1 kg) with Bluetooth® BLE 4.0	\$2,400.00

## Shipping Weight

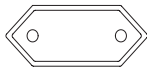
Part #	Model #	L × W × H	Package Wgt. (lb)	Dim Wgt. (lb)	Shipping Wgt. (lb)
193956	350-10-3M	51 × 42 × 14 in	102	216	216
203910	350-10-3MBLE	51 × 42 × 14 in	102	216	216

## Options/Accessories

Part #	Description	Price
115655 †	9 VDC adapter, 120 V/230 V auto switching c-MET medical grade power supply	\$43.00
133077 †	9 VDC adapter, 120 V/230 V auto switching	\$25.00
102508 ††	9 VDC adapter, 230 V	\$30.00
81076	Epson TM-U220 tape printer	\$445.00
186830	Printer cable, 25-pin D-Sub male to RJ-45, 6 ft	\$69.00



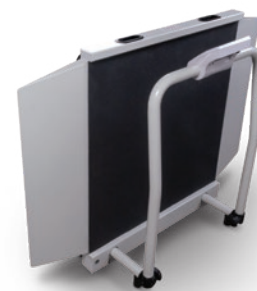
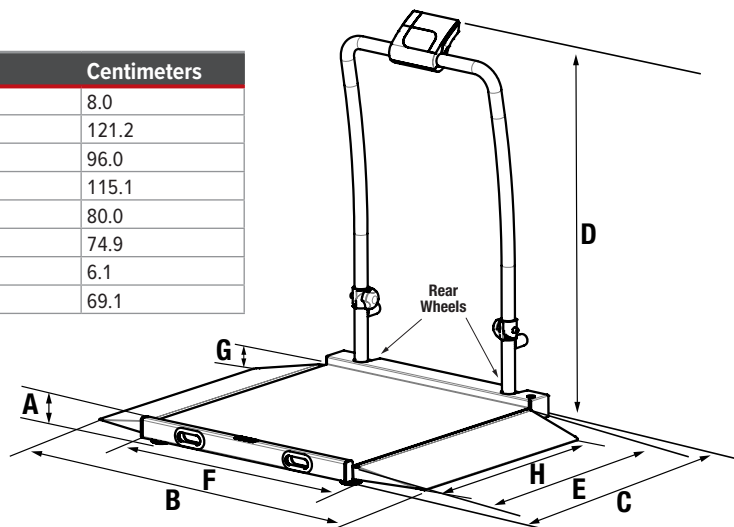
† NEMA 1-15 Plug



†† CEE 7/16 Plug

## Dimensions

	Inches	Centimeters
A	3.15	8.0
B	47.7	121.2
C	37.8	96.0
D	45.3	115.1
E	31.5	80.0
F	29.5	74.9
G	2.4	6.1
H	27.2	69.1



Wheelchair scale in folded position

# 350-10-2

Single-Ramp Wheelchair Scale

HEALTH SCALES



## Standard Features

- Two wheels for portability
- Single ramp
- Nonslip platform
- Large 1-inch LCD display
- Motiontrap™ movement compensation technology
- Unit of measure toggle or locking
- EHR capable
- USB or Bluetooth® BLE 4.0 available, part number selectable
- Tare function
- Hold function
- BMI (body mass index) function
- Factory calibrated
- Easy to store, folded depth is 11.75 in

## Specifications

### Capacity:

1,000 × 0.2 lb (450 × 0.1 kg)

### Platform Dimensions Without Ramps:

(W × L × H)  
32.0 × 29.5 × 2.4 in

### Power:

9 VDC, provided by six AA alkaline batteries (included) or AC adapter (optional)

### Battery Type:

Six AA alkaline (included)

### Battery Use:

25 hours of continuous use with batteries  
Automatic power-off can be configured

### Operating Temperature:

50 °F to 104 °F (10 °C to 40 °C)

### Display:

5-digit LCD display, 0.75 in (1.9 mm) digit height

### Approvals:

c-Met, E113986

### Warranty:

Two-year limited

Approvals



## Part Number/Price

Part #	Model #	Capacity	Price
141445	350-10-2	1,000 × 0.2 lb (450 × 0.1 kg) with USB	\$1,285.00
194739	350-10-2BLE	1,000 × 0.2 lb (450 × 0.1 kg) with Bluetooth® BLE 4.0	\$1,520.00

## Shipping Weight

Part #	Model #	L × W × H	Package Wgt. (lb)	Dim Wgt. (lb)	Shipping Wgt. (lb)
141445	350-10-2	42 × 41 × 14 in	90	174	174
194739	350-10-2BLE	42 × 41 × 14 in	90	174	174

## Options/Accessories

Part #	Description	Price
115655 †	9 VDC adapter, 120 V/230 V auto switching c-MET medical grade power supply	\$43.00
133077 †	9 VDC adapter, 120 V/230 V auto switching	\$25.00
102508 ††	9 VDC adapter, 230 V	\$30.00
81076	Epson TM-U220 tape printer	\$445.00
186830	Printer cable, 25-pin D-Sub male to RJ-45, 6 ft	\$69.00



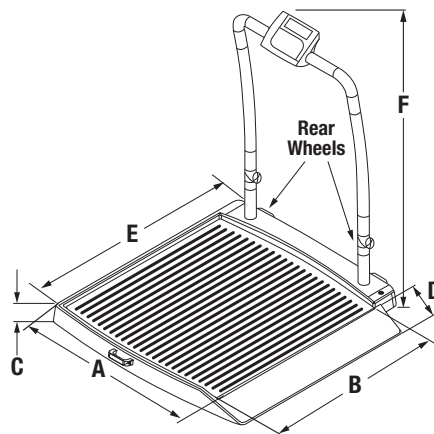
† NEMA 1-15 Plug



†† CEE 7/16 Plug

## Dimensions

	Inches	Centimeters
A	29.5	74.9
B	32.0	81.3
C	2.4	6.1
D	9.3	23.5
E	37.5	95.3
F	45.0	114.3



Wheelchair scale in folded position



### Approvals



### Part Number/Price

Part #	Model #	Capacity	Price
141446	350-10-7	1,000 × 0.2 lb (450 × 0.1 kg) with USB	\$1,225.00
194738	350-10-7BLE	1,000 × 0.2 lb (450 × 0.1 kg) with Bluetooth® BLE 4.0	\$1,460.00

### Shipping Weight

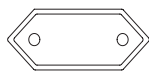
Part #	Model #	L × W × H	Package Wgt. (lb)	Dim Wgt. (lb)	Shipping Wgt. (lb)
141446	350-10-7	45 × 44 × 7 in	78	100	100
194738	350-10-7BLE	45 × 44 × 7 in	78	100	100

### Options/Accessories

Part #	Description	Price
115655 †	9 VDC adapter, 120 V/230 V auto switching c-MET medical grade power supply	\$43.00
133077 †	9 VDC adapter, 120 V/230 V auto switching	\$25.00
102508 ††	9 VDC adapter, 230 V	\$30.00
81076	Epson TM-U220 tape printer	\$445.00
186830	Printer cable, 25-pin D-Sub male to RJ-45, 6 ft	\$69.00



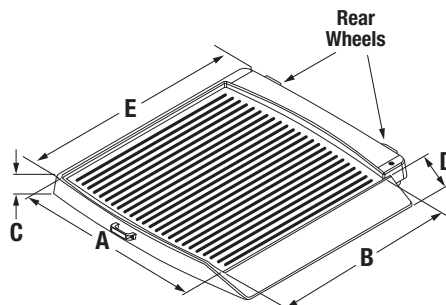
† NEMA 1-15 Plug



†† CEE 7/16 Plug

### Dimensions

	Inches	Centimeters
A	29.5	74.9
B	32.0	81.3
C	2.4	6.1
D	9.3	23.5
E	37.5	95.3



### Standard Features

- Two wheels for portability
- Single ramp
- Nonslip platform
- Large 1-inch LCD display
- Motiontrap™ movement compensation technology
- Unit of measure toggle or locking
- EHR capable
- USB or Bluetooth® BLE 4.0 available, part number selectable
- Tare function
- Hold function
- BMI (body mass index) function
- Factory calibrated

### Specifications

#### Capacity:

1,000 × 0.2 lb (450 × 0.1 kg)

#### Platform Dimensions Without Ramps:

(W × L × H)

32.0 × 29.5 × 2.4 in

#### Power:

9 VDC, provided by six AA alkaline batteries (included) or AC adapter (optional)

#### Battery Type:

Six AA alkaline (included)

#### Battery Use:

25 hours of continuous use with batteries  
Automatic power-off can be configured

#### Operating Temperature:

50 °F to 104 °F (10 °C to 40 °C)

#### Cable Length:

7 ft (2.1 m) cable between scale base and indicator

#### Display:

5-digit LCD display, 0.75 in (1.9 mm) digit height

#### Approvals:

c-Met, E113986

#### Warranty:

Two-year limited

# 350-10-3

Dual-ramp Wheelchair Scale

HEALTH SCALES



Approvals



## Part Number/Price

Part #	Model #	Capacity	Price
141447	350-10-3	1,000 × 0.2 lb (450 × 0.1 kg) with USB	\$1,970.00
194736	350-10-3BLE	1,000 × 0.2 lb (450 × 0.1 kg) with Bluetooth® BLE 4.0	\$2,205.00

## Shipping Weight

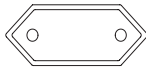
Part #	Model #	L × W × H	Package Wgt. (lb)	Dim Wgt. (lb)	Shipping Wgt. (lb)
141447	350-10-3	51 × 42 × 14 in	102	216	216
194736	350-10-3BLE	51 × 42 × 14 in	102	216	216

## Options/Accessories

Part #	Description	Price
115655 †	9 VDC adapter, 120 V/230 V auto switching c-MET medical grade power supply	\$43.00
133077 †	9 VDC adapter, 120 V/230 V auto switching	\$25.00
102508 ††	9 VDC adapter, 230 V	\$30.00
81076	Epson TM-U220 tape printer	\$445.00
186830	Printer cable, 25-pin D-Sub male to RJ-45, 6 ft	\$69.00



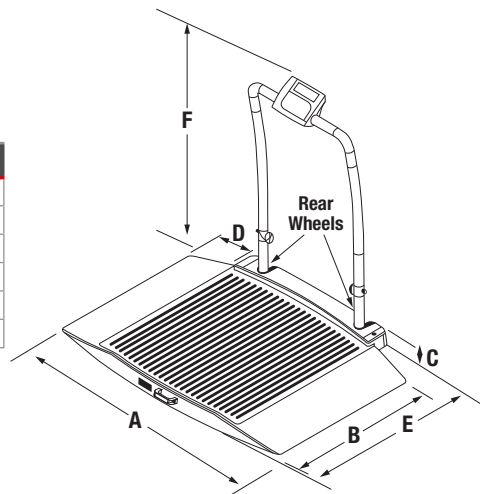
† NEMA 1-15 Plug



†† CEE 7/16 Plug

## Dimensions

	Inches	Centimeters
A	48.5	123.2
B	32.0	81.3
C	2.4	6.1
D	9.3	23.6
E	38.0	96.5
F	45.0	114.3



## Standard Features

- Two wheels for portability
- Dual ramp
- Nonslip platform
- Large 1-inch LCD display
- Motiontrap™ movement compensation technology
- Unit of measure toggle or locking
- EHR capable
- USB or Bluetooth® BLE 4.0 available, part number selectable
- Tare function
- Hold function
- BMI (body mass index) function
- Factory calibrated
- Easy to store, folded depth is 11.75 in

## Specifications

### Capacity:

1,000 × 0.2 lb (450 × 0.1 kg)

### Platform Dimensions Without Ramps:

(W × L × H)  
32.0 × 29.5 × 2.4 in

### Power:

9 VDC, provided by six AA alkaline batteries (included) or AC adapter (optional)

### Battery Type:

Six AA alkaline (included)

### Battery Use:

25 hours of continuous use with batteries  
Automatic power-off can be configured

### Operating Temperature:

50 °F to 104 °F (10 °C to 40 °C)

### Display:

5-digit LCD display, 0.75 in (1.9 mm) digit height

### Approvals:

c-Met, E113986

### Warranty:

Two-year limited



Wheelchair scale in folded position

# 350-10-4

Dual-ramp Wheelchair Scale



WITH SEAT AND HANDRAIL

## Standard Features

- Two wheels for portability
- Dual ramp
- Nonslip platform
- Fold-away padded seat with backrest
- Large 1-inch LCD display
- Motiontrap™ movement compensation technology
- Unit of measure toggle or locking
- EHR capable
- USB or Bluetooth® BLE 4.0 available, part number selectable
- Tare function
- Hold function
- BMI (body mass index) function
- Factory calibrated
- Easy to store, folded depth is 11.75 in

## Specifications

**Capacity:**  
1,000 × 0.2 lb (450 × 0.1 kg)

**Platform Dimensions Without Ramps:**  
(W × L × H)  
32.0 × 29.5 × 2.4 in

**Power:**  
9 VDC, provided by six AA alkaline batteries (included) or AC adapter (optional)

**Battery Type:**  
Six AA alkaline (included)

**Battery Use:**  
25 hours of continuous use with batteries  
Automatic power-off can be configured

**Operating Temperature:**  
50 °F to 104 °F (14 °C to 40 °C)

**Display:**  
5-digit LCD display, 0.75 in (1.9 mm) digit height

**Approvals:**  
c-Met, E113986

**Warranty:**  
Two-year limited

## Approvals



## Part Number/Price

Part #	Model #	Capacity	Price
141448	350-10-4	1,000 × 0.2 lb (450 × 0.1 kg) with USB	\$2,830.00
194737	350-10-4BLE	1,000 × 0.2 lb (450 × 0.1 kg) with Bluetooth® BLE 4.0	\$3,065.00

## Shipping Weight

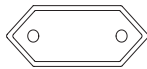
Part #	Model #	L × W × H	Package Wgt. (lb)	Dim Wgt. (lb)	Shipping Wgt. (lb)
141448	350-10-4	51 × 43 × 21 in	132	332	332
194737	350-10-4BLE	51 × 43 × 21 in	132	332	332

## Options/Accessories

Part #	Description	Price
115655 †	9 VDC adapter, 120 V/230 V auto switching c-MET medical grade power supply	\$43.00
133077 †	9 VDC adapter, 120 V/230 V auto switching	\$25.00
102508 ††	9 VDC adapter, 230 V	\$30.00
81076	Epson TM-U220 tape printer	\$445.00
186830	Printer cable, 25-pin D-Sub male to RJ-45, 6 ft	\$69.00



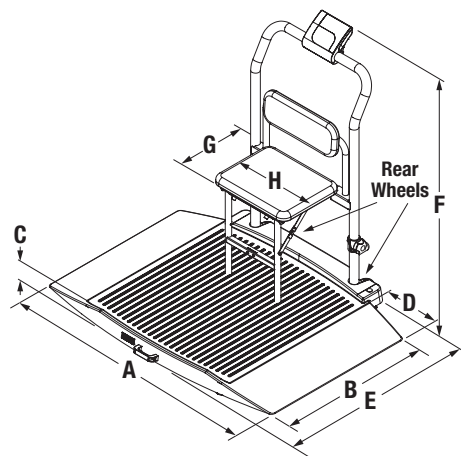
† NEMA 1-15 Plug



†† CEE 7/16 Plug

## Dimensions

	Inches	Centimeters
A	48.5	123.2
B	32.0	81.3
C	2.4	6.1
D	9.3	23.6
E	38.0	96.5
F	45.0	114.3
G	6.3	16.0
H	12.0	30.5



Wheelchair scale in folded position



# 350-10-8

Dual-ramp Wheelchair Platform Scale



Model 350-10-8

### Approvals



### Standard Features

- Two wheels for portability
- Dual ramp
- Nonslip platform
- Large 1-inch LCD display
- Motiontrap™ movement compensation technology
- Unit of measure toggle or locking
- EHR capable
- USB or Bluetooth® BLE 4.0 available, part number selectable
- Tare function
- Hold function
- BMI (body mass index) function
- Factory calibrated

### Specifications

#### Capacity:

1,000 × 0.2 lb (450 × 0.1 kg)

#### Platform Dimensions Without Ramps:

(L × W × H)  
29.5 × 32.0 × 2.4 in

#### Power:

9 VDC, provided by six AA alkaline batteries (included) or AC adapter (optional)

#### Battery Type:

Six AA alkaline (included)

#### Battery Use:

25 hours of continuous use with batteries  
Automatic power-off can be configured

#### Operating Temperature:

50 °F to 104 °F (10 °C to 40 °C)

#### Cable Length:

7 ft (2.1 m) cable between scale base and indicator

#### Display:

5-digit LCD display, 0.75 in (1.9 mm) digit height

#### Approvals:

c-Met, E113986

#### Warranty:

Two-year limited

### Part Number/Price

Part #	Model #	Capacity	Price
141449	350-10-8	1,000 × 0.2 lb (450 × 0.1 kg) with USB	\$1,935.00
194735	350-10-8BLE	1,000 × 0.2 lb (450 × 0.1 kg) with Bluetooth® BLE 4.0	\$2,170.00

### Shipping Weight

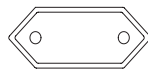
Part #	Model #	L × W × H	Package Wgt. (lb)	Dim Wgt. (lb)	Shipping Wgt. (lb)
141449	350-10-8	53 × 45 × 7 in	86	121	121
194735	350-10-8BLE	53 × 45 × 7 in	86	121	121

### Options/Accessories

Part #	Description	Price
115655 †	9 VDC adapter, 120 V/230 V auto switching c-MET medical grade power supply	\$43.00
133077 †	9 VDC adapter, 120 V/230 V auto switching	\$25.00
102508 ††	9 VDC adapter, 230 V	\$30.00
81076	Epson TM-U220 tape printer	\$445.00
186830	Printer cable, 25-pin D-Sub male to RJ-45, 6 ft	\$69.00



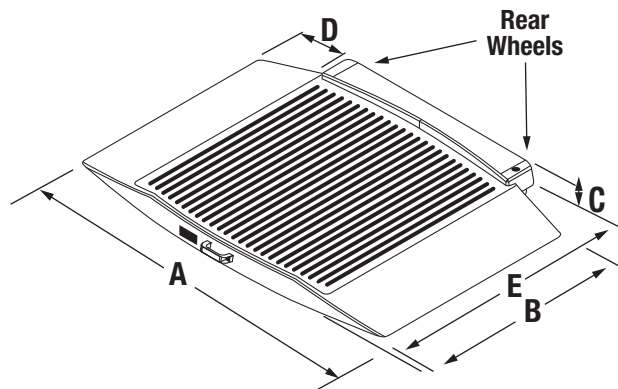
† NEMA 1-15 Plug



†† CEE 7/16 Plug

### Dimensions

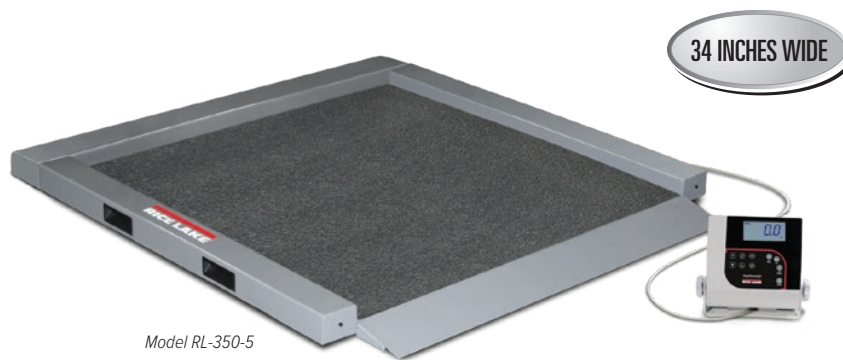
	Inches	Centimeters
A	48.5	123.2
B	32.0	81.3
C	2.4	6.1
D	9.3	23.6
E	38.0	96.5





# RL-350-5

Single-ramp Portable Bariatric Wheelchair Scale



Model RL-350-5

## Standard Features

- Integrated handles and wheels for easy transport
- Single ramp
- Large, stable scale base
- Metal nonslip platform
- Large 1-inch LCD display
- Motiontrap™ movement compensation technology
- Unit of measure toggle or locking
- EHR capable
- USB or Bluetooth® BLE 4.0 available, part number selectable
- Tare function
- Hold function
- BMI (body mass index) function

## Specifications

### Capacity:

1,000 × 0.2 lb (450 × 0.1 kg)

### Platform Dimensions Without Ramps:

(L × W × H)

34.0 × 34.0 × 2.2 in

### Power:

9 VDC, provided by six AA alkaline batteries (included) or AC adapter (optional)

### Battery Type:

Six AA alkaline (included)

### Battery Use:

25 hours of continuous use with batteries  
Automatic power-off can be configured

### Operating Temperature:

50 °F to 104 °F (10 °C to 40 °C)

### Cable Length:

9 ft (2.7 m) cable between scale base and indicator

### Display:

5-digit LCD display, 0.75 in (1.9 mm) digit height

### Approvals:

c-Met, E113986

### Warranty:

Two-year limited

## Approvals



## Part Number/Price

Part #	Model #	Capacity	Price
150703	RL-350-5	1,000 × 0.2 lb (450 × 0.1 kg) with USB	\$2,130.00
205976	RL-350-5BLE	1,000 × 0.2 lb (450 × 0.1 kg) with Bluetooth® BLE 4.0	\$2,365.00

## Shipping Weight

Part #	Model #	L × W × H	Package Wgt. (lb)	Dim Wgt. (lb)	Shipping Wgt. (lb)
150703	RL-350-5	43 × 43 × 11 in	162	147	162
205976	RL-350-5BLE	43 × 43 × 11 in	162	147	162

## Options/Accessories

Part #	Description	Price
133077 †	9 VDC adapter, 120 V/230 V auto switching	\$25.00
102508 ††	9 VDC adapter, 230 V	\$30.00
81076	Epson TM-U220 tape printer	\$445.00
186830	Printer cable, 25-pin D-Sub male to RJ-45, 6 ft	\$69.00



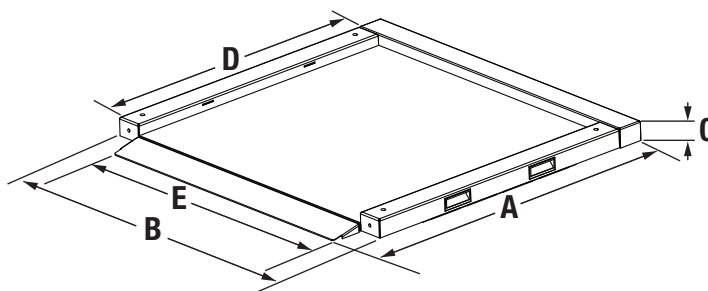
† NEMA 1-15 Plug



†† CEE 7/16 Plug

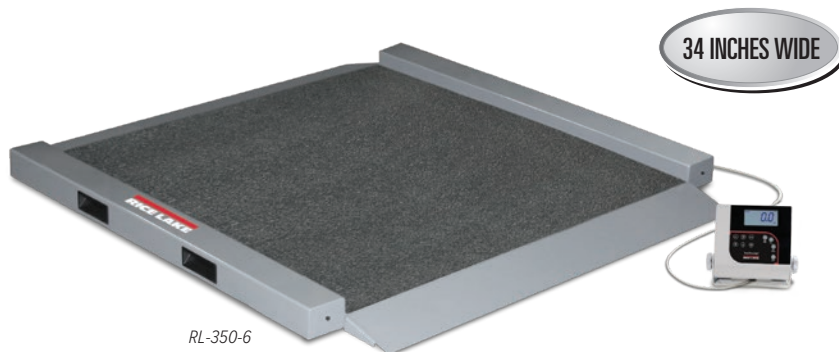
## Dimensions

	Inches	Centimeters
A	41.0	104.1
B	40.0	101.6
C	2.2	5.6
D	34.0	86.4
E	34.0	86.4



# RL-350-6

Dual-ramp Portable Bariatric Wheelchair Scale



RL-350-6

## Standard Features

- Integrated handles and wheels for easy transport
- Dual ramp
- Large, stable scale base
- Metal nonslip platform
- Large 1-inch LCD display
- Unit of measure toggle or locking
- Motiontrap™ movement compensation technology
- EHR capable
- USB or Bluetooth® BLE 4.0 available, part number selectable
- Tare function
- Hold function
- BMI (body mass index) function

## Specifications

### Capacity:

1,000 × 0.2 lb (450 × 0.1 kg)

### Platform Dimensions Without Ramps:

(W × L × H)

34.0 × 34.0 × 2.2 in

### Power:

9 VDC, provided by six AA alkaline batteries (included) or AC adapter (optional)

### Battery Type:

Six AA alkaline (included)

### Battery Use:

25 hours of continuous use with batteries  
Automatic power-off can be configured

### Operating Temperature:

50 °F to 104 °F (10 °C to 40 °C)

### Cable Length:

9 ft (2.7 m) cable between scale base and indicator

### Display:

5-digit LCD display, 0.75 in (1.9 mm) digit height

### Approvals:

c-Met, E113986

### Warranty:

Two-year limited

## Approvals



## Part Number/Price

Part #	Model #	Capacity	Price
150704	RL-350-6	1,000 × 0.2 lb (450 × 0.1 kg) with USB	\$2,130.00
205974	RL-350-6BLE	1,000 × 0.2 lb (450 × 0.1 kg) with Bluetooth® BLE 4.0	\$2,365.00

## Shipping Weight

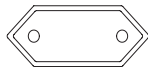
Part #	Model #	L × W × H	Package Wgt. (lb)	Dim Wgt. (lb)	Shipping Wgt. (lb)
150704	RL-350-6	43 × 43 × 11 in	154	147	154
205974	RL-350-6BLE	43 × 43 × 11 in	154	147	154

## Options/Accessories

Part #	Description	Price
133077 †	9 VDC adapter, 120 V/230 V auto switching	\$25.00
102508 ††	9 VDC adapter, 230 V	\$30.00
81076	Epson TM-U220 tape printer	\$445.00
186830	Printer cable, 25-pin D-Sub male to RJ-45, 6 ft	\$69.00



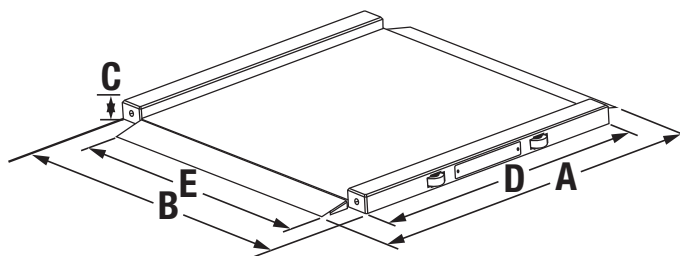
† NEMA 1-15 Plug



†† CEE 7/16 Plug

## Dimensions

	Inches	Centimeters
A	41.0	104.1
B	40.0	101.6
C	2.2	5.6
D	34.0	86.4
E	34.0	86.4



# SB-1150 Summit™

Bariatric Wheelchair Scale



Model SB-1150

## Approvals



pending

## Part Number/Price

Part #	Model #	Capacity	Price
150706	SB-1150	1,000 × 0.2 lb (450 × 0.1 kg) with USB	\$1,950.00
205977	SB-1150BLE	1,000 × 0.2 lb (450 × 0.1 kg) with Bluetooth® BLE 4.0	\$2,185.00

## Shipping Weight

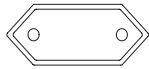
Part #	Model #	L × W × H	Package Wgt. (lb)	Dim Wgt. (lb)	Shipping Wgt. (lb)
150706	SB-1150	49 × 48 × 24 in	363	407	407
205977	SB-1150BLE	49 × 48 × 24 in	363	407	407

## Options/Accessories

Part #	Description	Price
133077 †	9 VDC adapter, 120 V/230 V auto switching	\$25.00
102508 ††	9 VDC adapter, 230 V	\$30.00
81076	Epson TM-U220 tape printer	\$445.00
186830	Printer cable, 25-pin D-Sub male to RJ-45, 6 ft	\$69.00



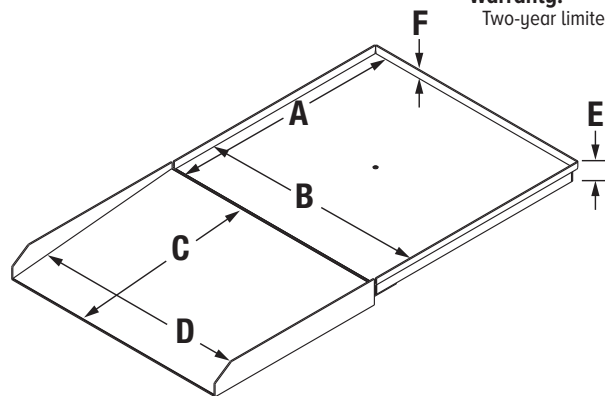
† NEMA 1-15 Plug



†† CEE 7/16 Plug

## Dimensions

	Inches	Centimeters
A	36.0	91.4
B	36.0	91.4
C	28.5	72.4
D	36.0	91.4
E	4.0	10.2
F	1.0	2.5



## Standard Features

- Heavy-duty mild steel construction
- Single ramp
- Large 1-inch LCD display
- Metal nonslip platform
- Motiontrap™ movement compensation technology
- Unit of measure toggle or locking
- EHR capable
- USB or Bluetooth® BLE 4.0 available, part number selectable
- Tare function
- Hold function
- BMI (body mass index) function
- Factory calibrated

## Specifications

### Capacity:

1,000 × 0.2 lb (450 × 0.1 kg)

### Platform Dimensions:

(L × W × H)

36.0 × 36.0 × 4.0 in

### Ramp Dimensions:

(L × W × H)

36.0 × 28.5 × 4.0 in

### Display:

5-digit LCD display, 0.75 in (1.9 mm) digit height

### Power:

9 VDC, provided by six AA alkaline batteries (included) or AC adapter (optional)

### Battery Type:

Six AA alkaline (included)

### Battery Use:

25 hours continuous use with batteries  
Automatic power-off can be configured

### Operating Temperature:

50 °F to 104 °F (10 °C to 40 °C)

### Cable Length:

10 ft (3.1 m) cable between scale base and indicator

### Approvals:

c-Met (pending)

### Warranty:

Two-year limited

# SD-1150-WP

## Dialysis Wheelchair Scale

Wall mounted indicator, cable enclosed in customer supplied conduit.



Model SD-1150-WP

### Standard Features

- Package includes scale, pit frame, handrail and indicator
- Heavy-duty mild steel construction
- Handrail for added patient safety
- Large 1-inch LCD display
- Unit of measure toggle or locking
- Motiontrap™ movement compensation technology
- EHR capable
- USB or Bluetooth® BLE 4.0 available, part number selectable
- Tare function
- Hold function
- BMI (body mass index) function
- Factory calibrated

### Specifications

**Capacity:**

1,000 × 0.2 lb (450 × 0.1 kg)

**Platform Dimensions:**

(W × L × H)

36 × 36 × 3 in

**Power:**

9 VDC, provided by six AA alkaline batteries (included) or AC adapter (optional)

**Battery Type:**

Six AA alkaline (included)

**Battery Use:**

25 hours continuous use with batteries  
Automatic power-off can be configured

**Operating Temperature:**

50 °F to 104 °F (10 °C to 40 °C)

**Display:**

5-digit LCD display, 0.75 in (1.9 mm) digit height

**Approvals:**

c-Met, E113986

**Warranty:**

Two-year limited

### Approvals



### Part Number/Price

Part #	Model #	Capacity	Price
150707	SD-1150-WP	1,000 × 0.2 lb (450 × 0.1 kg) with USB	\$2,255.00
205978	SD-1150-WPBLE	1,000 × 0.2 lb (450 × 0.1 kg) with Bluetooth® BLE 4.0	\$2,490.00

### Shipping Weight

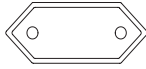
Part #	Model #	L × W × H	Package Wgt. (lb)	Dim Wgt. (lb)	Shipping Wgt. (lb)
150707	SD-1150-WP	40 × 39 × 15 in	246	169	246
205978	SD-1150-WPBLE	40 × 39 × 15 in	246	169	246

### Options/Accessories

Part #	Description	Price
133077 †	9 VDC adapter, 120 V/230 V auto switching	\$25.00
102508 ††	9 VDC adapter, 230 V	\$30.00
81076	Epson TM-U220 tape printer	\$445.00
186830	Printer cable, 25-pin D-Sub male to RJ-45, 6 ft	\$69.00



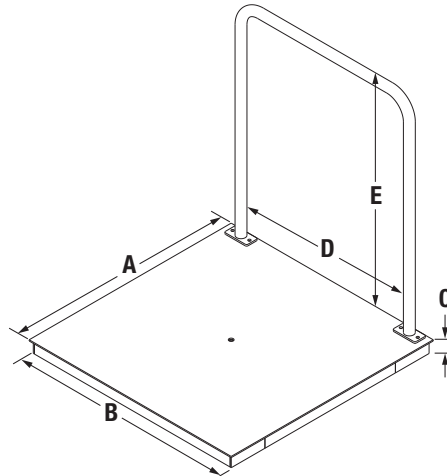
† NEMA 1-15 Plug



†† CEE 7/16 Plug

### Dimensions

	Inches	Centimeters
A	36.0	91.4
B	36.0	91.4
C	3.0	7.6
D	31.5	80.0
E	37.0	94.0



# SD-1150-WP

## Pit Frame Concrete Details

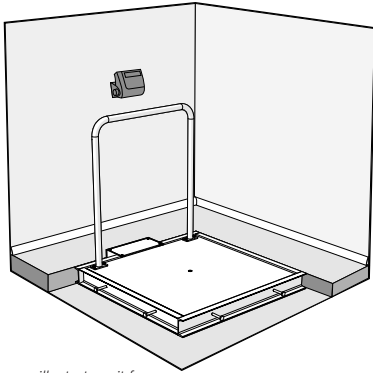
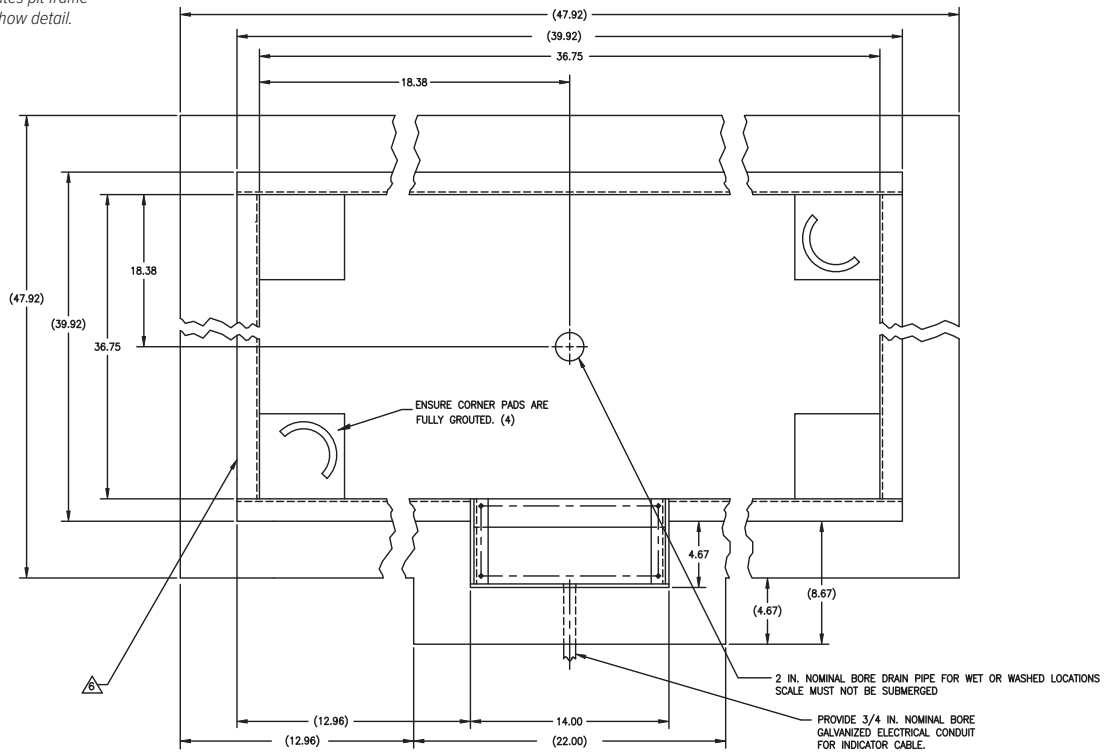
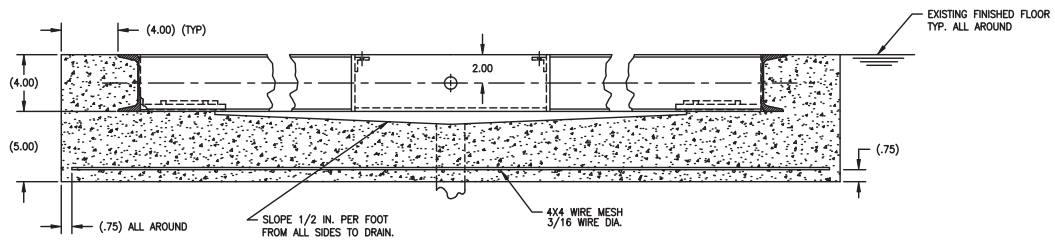


Image illustrates pit frame exposed to show detail.



NOTE: HANDRAIL ON SCALE WILL MOUNT ON SAME SIDE AS JUNCTION BOX POCKET



NOTE:

1. USE CONCRETE OF MINIMUM YIELD STRENGTH 5000 PSI OR 6-BAG MIX.
  2. ALLOW 7 DAYS TO CURE. WET CONCRETE PERIODICALLY DURING THIS TIME.
  3. DIMENSIONS SHOWN ASSUME FIRM, STABLE SOIL CONDITIONS. WHEN SOIL CONDITIONS ARE NOT ADEQUATE, PLACE FOUNDATION AT SUFFICIENT DEPTH.
  4. IN WET OR WASHDOWN APPLICATIONS WE RECOMMEND THE USE OF HERMETICALLY SEALED LOAD CELLS, AND THAT THE JUNCTION BOX BE MOUNTED REMOTELY IN A DRY LOCATION.
  5. WIRE MESH TO HAVE MINIMUM .75 COVER BOTTOM AND SIDES.
- △ ON STAINLESS STEEL VERSIONS, TWO PIECES OF 2 INCH ANGLE WILL BE SUBSTITUTED FOR THE 4 INCH CHANNEL.

# 350-10-8S

Digital Stretcher Scale

HEALTH SCALES



Model 350-10-8S

## Standard Features

- Two wheels for portability
- Dual ramp
- Metal nonslip platform
- Safety side rails
- Push-button LCD display
- Motiontrap™ movement compensation technology
- Unit of measure toggle or locking
- EHR capable
- USB or Bluetooth BLE 4.0 available, part number selectable
- Tare function
- Hold function
- BMI (body mass index) function
- Factory calibrated

## Specifications

### Capacity:

1,000 × 0.2 lb (450 × 0.1 kg)

### Platform Dimensions Without Ramps:

(W × L × H)  
35.0 × 29.5 × 2.4 in

### Platform Dimensions with

#### Wheels and Ramps:

(W × L × H)  
34.2 × 63.7 × 3.7 in

### Power:

9 VDC, provided by six AA alkaline batteries (included) or AC adapter (optional)

### Battery Type:

Six AA alkaline (included)

### Battery Use:

25 hours continuous use with batteries  
Automatic power-off can be configured

### Operating Temperature:

50 °F to 104 °F (10 °C to 40 °C)

### Cable Length:

7 ft (2.1 m) cable between scale base and indicator

### Display:

5-digit LCD display, 0.75 in (1.9 cm) digit height

### Approvals:

c-Met, E113986

### Warranty:

Two-year limited

## Part Number/Price

Part #	Model #	Capacity	Price
203622	350-10-8S	1,000 × 0.2 lb (450 × 0.1 kg) with USB	\$2,095.00
203623	350-10-8SBLE	1,000 × 0.2 lb (450 × 0.1 kg) with Bluetooth® BLE 4.0	\$2,330.00

## Shipping Weight

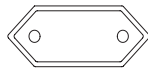
Part #	Model #	L × W × H	Package Wgt. (lb)	Dim Wgt. (lb)	Shipping Wgt. (lb)
203622	350-10-8S	67.2 × 36 × 6 in	154	104	154
203623	350-10-8SBLE	67.2 × 36 × 6 in	154	104	154

## Options/Accessories

Part #	Description	Price
133077 †	9 VDC adapter, 120 V/230 V auto switching	\$25.00
102508 ††	9 VDC adapter, 230 V	\$30.00
81076	Epson TM-U220 tape printer	\$445.00
186830	Printer cable, 25-pin D-Sub male to RJ-45, 6 ft	\$69.00



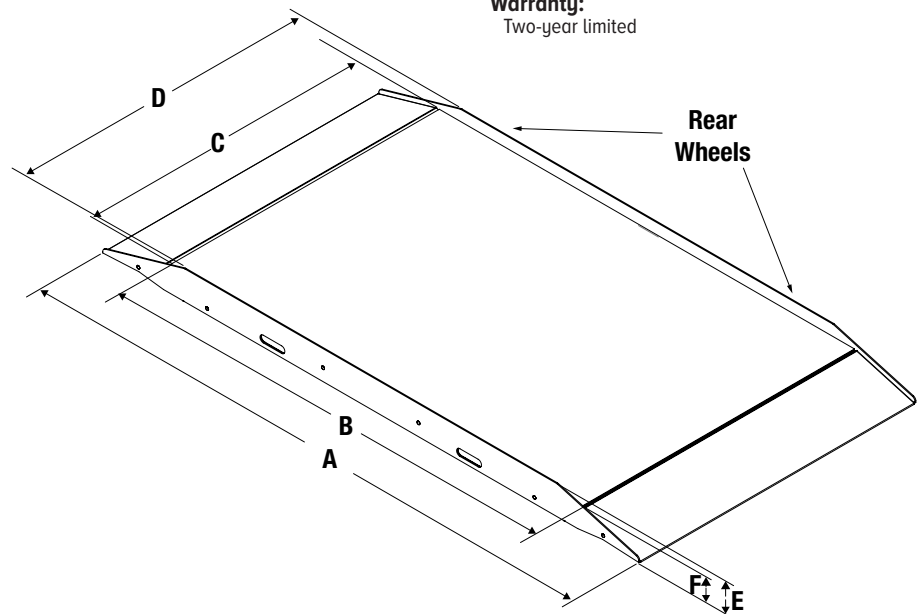
† NEMA 1-15 Plug



†† CEE 7/16 Plug

## Dimensions

	Inches	Centimeters
A	63.8	162.0
B	49.3	125.3
C	32.7	83.1
D	32.9	83.6
E	3.9	9.8
F	2.6	6.7





# Indicators / Controllers

## TABLE OF CONTENTS

<b>120/120 Plus</b> .....	<b>494</b>	<b>MSI-8004HD</b> .....	<b>538</b>	<b>TranSend™ MSI-7000</b> .....	<b>556</b>
<i>Digital Weight Indicator</i>		<i>Indicator/RF LED Remote Display</i>		<i>Wireless Load Cell Interface System</i>	
<b>IQ Plus® 210</b> .....	<b>496</b>	<b>SCT-1100</b> .....	<b>540</b>	<b>TranSend™ MSI-7001</b> .....	<b>558</b>
<i>Digital Weight Indicator</i>		<i>Signal Conditioning Transmitter</i>		<i>Wireless Load Cell Interface System</i>	
<b>CW-90</b> .....	<b>497</b>	<b>SCT-2200</b> .....	<b>541</b>	<b>TranSend™ MSI-7000HD</b> .....	<b>560</b>
<i>Checkweigh Indicator</i>		<i>Signal Conditioning Transmitter</i>		<i>Wireless Load Cell Interface System</i>	
<b>CW-90X</b> .....	<b>499</b>	<b>SCT-3300</b> .....	<b>542</b>	<b>TranSend™ MSI-7001HD</b> .....	<b>561</b>
<i>Checkweigh Indicator</i>		<i>Signal Conditioning Transmitter</i>		<i>Wireless Load Cell Interface System</i>	
<b>380 Synergy Series</b> .....	<b>501</b>	<b>SCT-1SX</b> .....	<b>543</b>	<b>SendIt™</b> .....	<b>562</b>
<i>Digital Weight Indicator</i>		<i>High-Speed Transmitter with Integrated Fieldbus and Webserver</i>		<i>Wireless Load Cell Interface System</i>	
<b>380X Synergy Series</b> .....	<b>502</b>	<b>SCT-4X</b> .....	<b>544</b>	<b>ConnexLink™</b> .....	<b>563</b>
<i>Washdown Digital Weight Indicator</i>		<i>4-Channel Integrated Fieldbus Transmitter</i>		<i>Wireless Radio 900 MHz Transceivers</i>	
<b>381 Synergy Series</b> .....	<b>503</b>	<b>SCT-10</b> .....	<b>545</b>	<b>Industrial Broadband</b> .....	<b>564</b>
<i>Battery Powered Digital Weight Indicator</i>		<i>Signal Conditioning Transmitter</i>		ACCESSORIES	
<b>480/482 Legend® Series</b> .....	<b>504</b>	<b>SCT-20</b> .....	<b>546</b>	<b>Aluminum Keypads</b> .....	<b>565</b>
<i>Digital Weight Indicator</i>		<i>Signal Conditioning Transmitter</i>		<b>Visible Lights and Audible Alarms</b> .....	<b>565</b>
<b>680 Synergy Series</b> .....	<b>506</b>	<b>SCT-30</b> .....	<b>547</b>	<b>Din Rail Transient Protector &amp; Fuse</b> .....	<b>565</b>
<i>Digital Weight Indicator</i>		<i>Signal Conditioning Transmitter</i>		<b>Manual Pushbuttons/ Pushbutton Switches</b> .....	<b>565</b>
<b>682 Synergy Series</b> .....	<b>508</b>	<b>SCT-40</b> .....	<b>548</b>	INDUSTRIAL CONTROL PRODUCTS	
<i>Digital Weight Indicator</i>		<i>Signal Conditioning Transmitter</i>		<b>Tripp-Lite USB to Serial Converter/Adapter</b> .....	<b>566</b>
<b>680HE Synergy Series</b> .....	<b>510</b>	FIELDBUS CARDS		<i>Serial Adapters</i>	
<i>Hostile Environment Digital Weight Indicator</i>		<b>Profibus® DP Interface</b> .....	<b>549</b>	<b>Amphenol® RJF 544</b> .....	<b>567</b>
<b>720i™ Series</b> .....	<b>511</b>	<i>720i™/920i®</i>		<i>Harsh Environment Ethernet Connection System</i>	
<i>Programmable Weight Indicator and Controller</i>		<b>Profinet® I/O Interface</b> .....	<b>549</b>	<b>AbleCable®</b> .....	<b>568</b>
<b>880/880 Plus Performance™ Series</b> .....	<b>514</b>	<i>920i®</i>		<i>RS-232/USB Serial Smart Cable Direct, Keyboard Input Direct</i>	
<i>Programmable Weight Indicator and Controller</i>		<b>Remote I/O Interface</b> .....	<b>550</b>	<b>go-between™</b> .....	<b>569</b>
<b>920i® Series</b> .....	<b>517</b>	<i>720i™/920i®</i>		<i>Data Capture and Storage</i>	
<i>Programmable Weight Indicator and Controller</i>		<b>DeviceNet™ Interface</b> .....	<b>550</b>		
<b>1280 Enterprise™ Series</b> .....	<b>521</b>	<i>720i™/920i®</i>			
<i>Programmable Color Touchscreen Weight Indicator and Controller</i>		<b>ControlNet™ Interface</b> .....	<b>551</b>		
<b>Relays and Racks</b> .....	<b>526</b>	<i>920i®</i>			
<i>Input/Output Components</i>		<b>EtherNet/IP® Interface</b> .....	<b>551</b>		
<b>LaserLight3™</b> .....	<b>527</b>	<i>720i™/920i®</i>			
<i>Color Large-Display Weight Indicator</i>		<b>Ethernet TCP/IP Interface</b> .....	<b>552</b>		
<b>LaserLT-60 and LaserLT-100</b> .....	<b>529</b>	<i>720i™/920i®</i>			
<i>Large-Display Digital Weight Indicators</i>		<b>Profibus® DP Interface</b> .....	<b>553</b>		
<b>920i® User Programs</b> .....	<b>530</b>	<i>880®/882D/882IS/1280</i>			
<b>920i® FlexWeigh Systems</b> .....	<b>532</b>	<b>PROFINET® Interface</b> .....	<b>553</b>		
<i>Fillers/Batchers</i>		<i>880®/882D/882IS/1280</i>			
<b>920i® FlexWeigh Systems</b> .....	<b>534</b>	<b>DeviceNet™ Interface</b> .....	<b>554</b>		
<i>Bulkweighers and Flip Flop Fillers</i>		<i>880®/882D/882IS/1280</i>			
<b>920i® FlexWeigh Systems</b> .....	<b>535</b>	<b>MODBUS-TCP® Interface</b> .....	<b>554</b>		
<i>Flow Rate Controllers</i>		<i>880®/882D/882IS/1280</i>			
<b>920i® FlexWeigh Systems</b> .....	<b>535</b>	<b>EtherNet/IP® Interface</b> .....	<b>555</b>		
<i>Hand Batching</i>		<i>880®/882D/882IS/1280</i>			
<b>MSI-8000HD</b> .....	<b>536</b>	<b>EtherCAT Interface</b> .....	<b>555</b>		
<i>Digital Weight Indicator/Remote Display</i>		<i>880®/882D/882IS/1280</i>			

Product names, logos, brands and other trademarks featured or referred to within this publication are the property of their respective trademark holders.

# 120/120 Plus

Digital Weight Indicator



INDICATORS /  
CONTROLLERS

## Approvals



Measurement  
Canada  
Approved



## Standard Features

### 120

- LED display
- Configurable analog to digital measurement rate
- Primary/secondary units configuration: lb, kg, ounces, grams
- Five-button operation
- Two independent communication ports
- Programmable ticket format, up to two 180-character printout
- Full front-panel digital calibration and configuration
- Tilt stand
- Three-stage digital filtering
- Consecutive transaction numbering
- Time and date (volatile)

### 120 Plus

- LCD display
- Internal rechargeable lithium battery and wall adapter
- Power save feature for 700 hours of battery life
- Ten stored tare values
- Display hold (based on three second average)
- Time and date
- Configurable with Revolution® software

## Specifications

### Power:

#### 120/120 Plus

Line voltages: 115 or 230 VAC  
Frequency: 50 or 60 Hz

### Battery Life:

#### 120 Plus

60 hours with 1 x 350 ohm, 40 hours with  
4 x 350 ohm load cells  
Eight hour charge time

### Excitation Voltage:

5 VDC, 4 x 350 ohm or 8 x 700 ohm load cells

### Analog Signal Input Range:

-0.6 mV/V to 3.0 mV/V

### Analog Signal Sensitivity:

0.3  $\mu$ V/graduation minimum,  
1.5  $\mu$ V/grad recommended

### A/D Sample Rate:

120: 3 to 30 Hz, software selectable

120 Plus: 30 Hz

### Resolution:

Internal: 1,000,000 counts

Display: 10,000

### System Linearity:

Within 0.01% of full scale

### (Optional) Digital I/O:

120 Plus: Requires option card

24 volt source

Three digital inputs

Two digital outputs

### Circuit Protection:

RFI, EMI, ESD protected

### Load Cell Connection:

Cord grip entry

Detachable plug (optional)

### Communication Port:

EDP port: Full duplex RS-232

Printer port: Output-only RS-232 or active 20 mA  
current loop

Both ports: 9600, 4800, 2400, 1200, 600, 300bps;  
Seven or eight data bits; even, odd or no parity

### Annunciators:

120/120 Plus: Center of zero, standstill, gross, net,  
lb, kg, oz, g

120 Plus: Battery, setpoint 1 and 2, Hold

### Display:

120: 0.8 in (20 mm), six-digit red light emitting  
diode (LED) display, seven-segment digits

120 Plus: 0.8 in (20 mm) six-digit LCD with  
backlight, seven-segment digits

### Keys/Buttons:

120: Five-key flat membrane panel, tactile feel

120 Plus: Zero, tare, preset tare, hold, gross/net,  
units, numeric 0-9, clear, enter/print

### Temperature Range:

Certified: 14 °F to 104 °F (-10 °C to 40 °C)

Operating: 14 °F to 122 °F (-10 °C to 50 °C)

### Rating/Material:

Enclosure: Heavy gauge ABS

### Weight:

2.6 lb (1.2 kg)

### Warranty:

One-year limited

### Approvals:

NTEP CC 03-059, Class III/IIIL 10,000d

Measurement Canada AM-5517

EU Test Certificate TC7626

CE Marked

## Part Number/Price

Part #	Description	Est. Weight	Price
<b>120</b>			
131923	Desktop 115 VAC/230 VAC	3 lb	\$455.00
<b>120 Plus</b>			
103632	Desktop 115/230 VAC	3 lb	\$595.00
107619	Desktop 115/230 VAC with digital I/O option	3 lb	\$665.00

NOTE: Both plugs included with power supply



US Plug



Euro Plug

## Options/Accessories

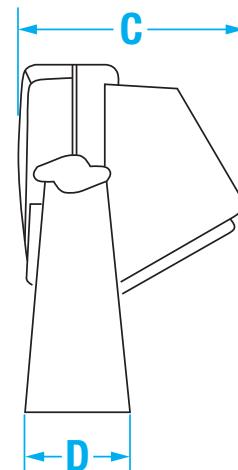
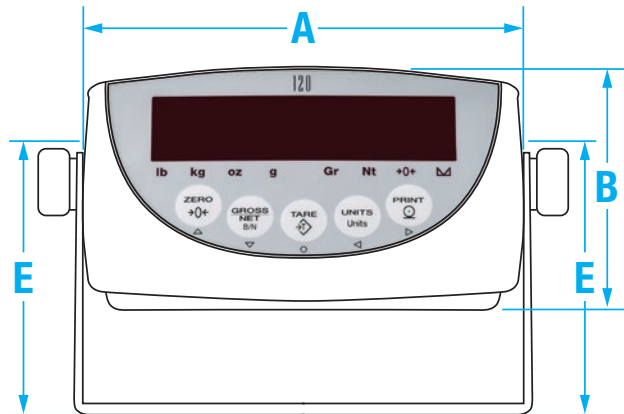
Part #	Description	Price
93205	Load cell connector with 6 m length pigtail (requires 103507)	\$60.00
82505	Six-pin socket external load cell connector (requires 103507)	\$16.00
103507	External load cell plug replaces cord grip (requires 82505 or cable 93205)	\$42.00
107620	Digital I/O card for 120 Plus	\$95.00
105670	15-Pin connector for 120 Plus	\$14.00
106705	15-Pin Interface cable for 120 Plus, 2 m length	\$39.00
76699	Additional operating manual for 120	\$39.00
105914	Additional operating manual for 120 Plus	\$37.00
<b>Primary Component Parts for 120</b>		
131924	Board assembly for use with internal load cell connector	\$315.00
78610	Overlay membrane switch	\$70.00
131925	Power supply, 115 VAC/230 VAC	\$47.00
64794	Cable, null modem DB9F to DB9M	\$69.00
<b>Primary Component Parts for 120 Plus</b>		
103634	CPU/Display board assembly	\$430.00
103635	Overlay membrane switch	\$70.00
103636	Power supply, 115 VAC/230 VAC	\$47.00
103637	Rechargeable battery	\$100.00

Revolution can be downloaded for free at [www.ricelake.com](http://www.ricelake.com)

To have your option factory installed, please specify when placing your order.

## Dimensions

120/120 Plus			
A	7.32 in (186 mm)	D	1.65 in (42 mm)
B	6.06 in (154 mm)	E	4.76 in (121 mm)
C	3.74 in (95 mm)		



# IQ Plus® 210

Digital Weight Indicator

INDICATORS /  
CONTROLLERS



## Specifications

### Power:

Line voltages: 115 VAC or 230 VAC  
Frequency: 50/60 Hz

### Excitation Voltage:

10 VDC 4 × 350 ohm load cells

### Analog Signal Input Range:

0.6 mV/V to 4.5 mV/V

### Analog Signal Sensitivity:

0.3 μV/graduation minimum,  
1.5 μV/grad recommended

### A/D Sample Rate:

15 Hz

### Resolution:

Display: 10,000 counts

### Digital I/O:

Two inputs, TTL or switch closure, active-low

### Communication Port:

Full duplex RS-232, 9600, 4800, 2400, 1200bps;  
Seven or eight data bits, even, off, or no parity

### Annunciators:

lb, kg, oz, g, negative, motion, center of zero

### Display:

Six-digit light emitting diode (LED) display  
Seven-segment, 0.8 in (20 mm) digits

### Dimensions:

Enclosure  
9.5 × 6.0 × 2.75 in (241 × 152 × 70 mm)

### Temperature Range:

Operating: 14 °F to 104 °F (-10 °C to 40 °C)  
Storage: 14 °F to 122 °F (-10 °C to 50 °C)

### Rating/Material:

NEMA Type 4X/IP66, stainless steel

### Weight:

10 lb (4.5 kg)

### Warranty:

Two-year limited

### Approvals:

NTEP CC 00-045, Class III/III 10,000d  
Measurement Canada AM-5374  
cULus Listed

## Approvals



Measurement  
Canada  
Approved



## Standard Features

- LED display
- Piezo switch technology with stainless steel buttons (zero and units)
- NEMA Type 4X/IP66 stainless steel enclosure
- Displays units in decimals lb, kg, oz, lb/oz and grams
- 1 full duplex RS-232 port
- 2 digital inputs for remote zero, print and units
- PreVent™ breather vent
- Configurable with Revolution® software

## Part Number/Price

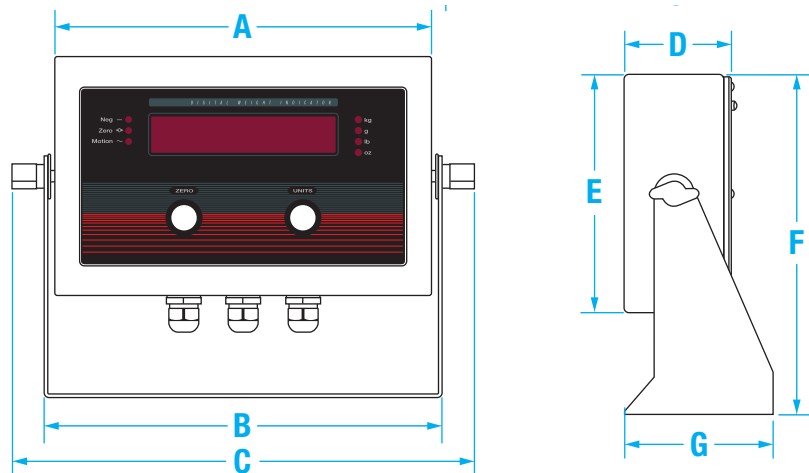
Part #	Description	Est. Weight	Price
65137	IQ Plus 210, 115 VAC	10 lb	\$725.00
65138	IQ Plus 210, 230 VAC	10 lb	\$725.00

## Options/Accessories

Part #	Description	Price
64640	Additional operating manual	\$31.00

## Dimensions

IQ Plus 210			
A	9.50 in (241 mm)	E	6.00 in (152 mm)
B	10.03 in (254 mm)	F	8.58 in (217 mm)
C	11.67 in (296 mm)	G	3.75 in (95 mm)
D	2.69 in (68 mm)		





## Specifications

### Power:

Line voltages: 115 to 230 VAC  
Frequency: 50 /60 Hz

### Power Consumption:

1.5 A at 115 VAC (8 W)  
0.75 A at 230 VAC (8 W)

### Excitation Voltage:

+5 VDC 8 × 350 ohm or 16 × 700 ohm load cells

### Analog Signal Input Range:

-0.5 mV/V to 4.5 mV/V

### Analog Signal Sensitivity:

0.3 uV/graduation minimum  
1.5 uV/graduation recommended

### A/D Sample Rate:

7.5 to 960 Hz software selectable

### Resolution:

Display: 100,000 counts

### System Linearity:

± 0.01% full scale

### Digital I/O:

Four channels on CPU board

### Circuit Protection:

RFI, EMI, ESD protection

### Annunciators:

Designators for percent, kg, gm, lb, oz, center of zero, G/B, N, T, PT, neg, motion

### Display:

Large 0.8 in 14-segment, six-digit high-intensity red LED display

### Keys/Buttons:

Membrane keypad, 23 keys with international symbols

### Temperature Range:

Certified: 14 °F to 104 °F (-10 °C to 40 °C)

### Rating/Material:

IP66, 304 stainless steel

### Warranty:

Two-year limited

### Approvals:

NTEP CC 08-092, Class III/IIIL 10,000d  
Measurement Canada AM-5710  
OIML R76/2006-GBI-10.02  
TC11569  
CE Marked  
cULus Listed

## Approvals



Measurement  
Canada  
Approved



UL US  
LISTED

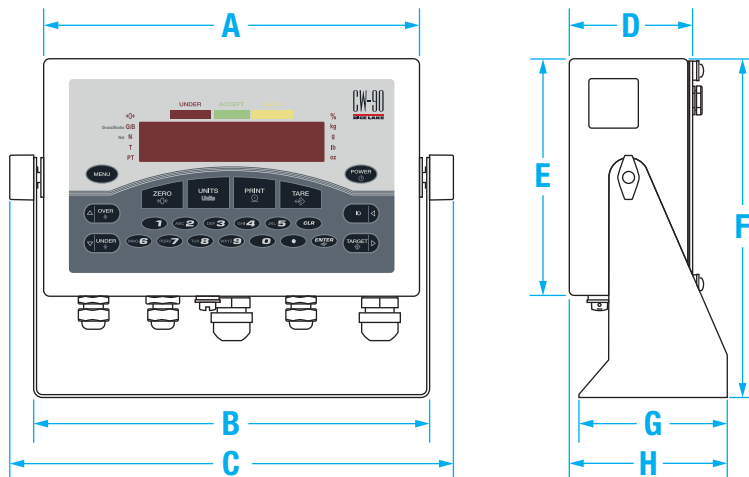


## Dimensions

CW-90	
A	9.5 in (241 mm)
B	10.02 in (255 mm)
C	11.24 in (285 mm)
D	3.12 in (79 mm)
E	6.00 in (152 mm)
F	8.57 in (218 mm)
G	3.75 in (95 mm)
H	4.00 in (102 mm)

## Standard Features

- PreVent™ breather vent
- Storage for up to 50 IDs
- Unit of measure: kg, gm, lb, oz, lb/oz
- LED display
- Two full duplex serial ports
- Configurable print formats
- Audit trail tracking
- Optional communications: Ethernet, USB or fiber-optic
- Four configurable digital I/O
- Reflash memory to upgrade firmware
- Auto print capability
- Battery backed up time and date
- Accumulator
- Membrane keypad consisting of zero, units, print, tare, over, under, ID, target, 0 to 9, clear, decimal, enter, menu, power



# CW-90

Checkweigh Indicator

## Part Number/Price

Part #	Description	Est. Weight	Price
105970 <sup>†</sup>	CW-90, 115 VAC	7 lb	\$925.00
105971 <sup>††</sup>	CW-90, 230 VAC, CE marked/OIML approved	7 lb	\$925.00
118888 <sup>†</sup>	CW-90, 230 VAC	7 lb	\$925.00
171247 <sup>†††</sup>	CW-90, 230 VAC	7 lb	\$925.00



<sup>†</sup> US plug (NA) - Type B



<sup>††</sup> Euro Plug - Type E



<sup>†††</sup> IEC Type I plug

## Options/Accessories

Part #	Description	Price
200578	Ethernet TCP/IP, 10 ft cable included	\$440.00
206272	RS-232/Wi-Fi interface 802.11 A/B	\$610.00
95357	USB cable, Type A to mini-B, 1 m	\$11.00
171968	Firmware download cable	\$39.00
96736	Fiber optic board	\$250.00
78026	Fiber optic, duplex cable 100 ft	\$175.00
80892	Fiber optic cutter	\$12.00
117358	WeighVault (requires part number 200578 or 206272)	\$265.00

*To have your option factory installed, please specify when placing your order.*

INDICATORS /  
CONTROLLERS





## Specifications

### Power:

Line voltages: 115 to 230 VAC  
Frequency: 50/60 Hz

### Power Consumption:

1.5 A at 115 VAC (8 W)  
0.75 A at 230 VAC (8 W)

### Excitation Voltage:

+5 VDC 8 × 350 ohm or 16 × 700 ohm load cells

### Analog Signal Input Range:

-0.5 mV/V to 4.5 mV/V

### Analog Signal Sensitivity:

0.3 uV/graduation minimum  
1.5 uV/graduation recommended

### A/D Sample Rate:

7.5 to 960 Hz software selectable

### Resolution:

Display: 100,000 counts

### System Linearity:

± 0.01% full scale

### Digital I/O:

Four channels on CPU board

### Circuit Protection:

RFI, EMI, ESD protection

### Annunciators:

Designators for percent, kg, gm, lb, oz, center of zero, G/B, N, T, PT, neg, motion

### Display:

Large 0.8 in 14-segment, six-digit high-intensity red LED display

### Keys/Buttons:

Piezo keypad, 11 keys with international symbols

### Temperature Range:

Certified: 14 °F to 104 °F (-10 °C to 40 °C)

### Rating/Material:

IP69K, 304 stainless steel

### Warranty:

Three-year limited

### Approvals:

NTEP CC 08-092, Class III/IIIL 10,000d  
Measurement Canada AM-5710  
OIML R76/2006-GBI-10.02  
TC11569  
CE Marked  
cULus Listed

## Approvals



Measurement  
Canada  
Approved

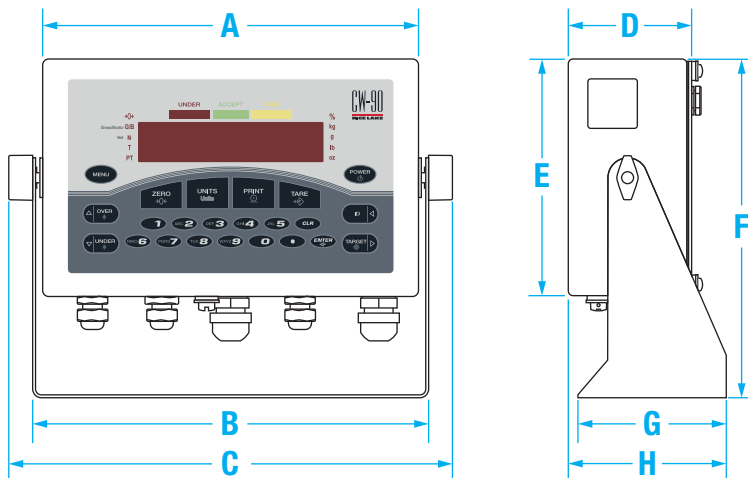


## Dimensions

CW-90X	
A	9.5 in (241 mm)
B	10.02 in (255 mm)
C	11.24 in (285 mm)
D	3.12 in (79 mm)
E	6.00 in (152 mm)
F	8.57 in (218 mm)
G	3.75 in (95 mm)
H	4.00 in (102 mm)

## Standard Features

- PreVent™ breather vent
- Storage for up to 50 IDs
- Unit of measure: kg, gm, lb, oz, lb/oz
- LED display
- Two full duplex serial ports
- Configurable print formats
- Audit trail tracking
- Optional communications: Ethernet, USB or fiber optic
- Four configurable digital I/O
- Reflash memory to upgrade firmware
- Auto print capability
- Battery backed up time and date
- Accumulator
- Piezo keypad consisting of zero, units, print, tare, over, under, ID, target, enter, menu, power



# CW-90X

Checkweigh Indicator

## Part Number/Price

Part #	Description	Est. Weight	Price
105972 <sup>†</sup>	CW-90X, 115 VAC	7 lb	\$975.00
105973 <sup>††</sup>	CW-90X, 230 VAC, CE marked/OIML approved	7 lb	\$975.00
118889 <sup>†</sup>	CW-90X, 230 VAC	7 lb	\$975.00
171248 <sup>†††</sup>	CW-90X, 230 VAC	7 lb	\$975.00



<sup>†</sup> US plug (NA) - Type B



<sup>††</sup> Euro Plug - Type E



<sup>†††</sup> IEC Type I plug

## Options/Accessories

Part #	Description	Price
200578	Ethernet TCP/IP, 10 ft cable included	\$440.00
206272	RS-232/Wi-Fi interface 802.11 A/B	\$610.00
95357	USB cable, Type A to mini-B, 1 m	\$11.00
171968	Firmware download cable	\$39.00
96736	Fiber optic board	\$250.00
78026	Fiber optic, duplex cable 100 ft	\$175.00
80892	Fiber optic cutter	\$12.00
117358	WeighVault™ (requires part number 200578 or 206272)	\$265.00

To have your option factory installed, please specify when placing your order.

INDICATORS /  
CONTROLLERS

# 380 Synergy Series

## Digital Weight Indicator



### Approvals



Measurement  
Canada  
Approved



### Standard Features

- LCD display
- Alkaline battery powered
- Push-button and keyed tare
- Two communication ports
- Five tactile buttons
- Configurable print formats

### Options

- Time/date
- External power supply

### Part Number/Price

Part #	Description	Est. Weight	Price
202711	380 Universal battery powered	6.25 lb (3 kg)	\$655.00

### Options/Accessories

Part #	Description	Price
206433†	External AC adapter	\$54.00
204258	Real time clock module	\$127.00

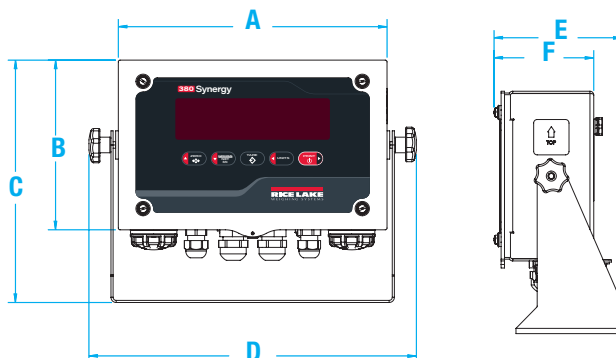
To have your option factory installed, please specify when placing your order.



† US plug (NA) - Type A

### Dimensions

380 Synergy Series			
A	9.50 in (241 mm)	D	11.58 in (294 mm)
B	6.00 in (152 mm)	E	4.53 in (115 mm)
C	8.57 in (218 mm)	F	3.53 in (90 mm)



### Specifications

#### Power:

Batteries: 4 alkaline C-cell (not included)  
Optional: 115/230 VAC to 12 VDC adapter

#### Power Consumption:

6 W max with optional external power adapter

#### Battery Life:

100 hours with 1 × 350 ohm load cell, no backlight  
45 hours with 4 × 350 ohm load cells, low backlight  
20 hours with 8 × 350 ohm load cells, low backlight

#### Excitation Voltage:

5 VDC, 8 × 350 ohm or 16 × 700 ohm load cells

#### Analog Signal Input Range:

-0.3 mV to +30 mV  
Common mode voltage 0.7V to 3.3V

#### Analog Signal Sensitivity:

1 µV/graduation recommended

#### A/D Sample Rate:

5, 6, 10, 12, 20, 25, 40, 50, 80, 100Hz,  
software selectable

#### Resolution:

Internal: 8,000,000 counts  
Display: 100,000

#### System Linearity:

Within 0.01% full scale

#### Communication Ports:

One full-duplex RS-232  
One USB 2.0

#### Annunciators:

g, lb, t, tn, kg, oz, battery level, PT, LT, gross, zero,  
unstable, net

#### Display:

Six 1 in (25 mm) tall, LCD digits

#### Keys/Buttons:

5 tactile buttons

#### Dimensions:

(L × W × H)  
11.58 × 4.53 × 8.57 in  
(294 × 115 × 218 mm)

#### Temperature Range:

Certified: 14 °F to 104 °F (-10 °C to 40 °C)  
Industrial: 14 °F to 122 °F (-10 °C to 50 °C)

#### Rating/Material:

IP66, 304  
Stainless steel

#### Weight:

6.25 lb (3 kg)

#### Warranty:

Two-year limited

#### EMC Immunity:

10 V/m

#### Approvals:

NTEP 21-051, Class III/IIIL, 10,000 d  
Measurement Canada AM-6184  
CE Marked  
cULus Listed

# 380X Synergy Series

Washdown Digital Weight Indicator



INDICATORS / CONTROLLERS

## Approvals



Measurement  
Canada  
Approved



pending



pending

## Standard Features

- LCD display
- Battery powered, internal charger
- Push button and keyed tare
- Two communication ports
- Five-tactile buttons
- Configurable print formats

## Options

- Time/date

## Part Number/Price

Part #	Description	Est. Weight	Price
214337	380X Universal battery powered	6.25 lb (3 kg)	Consult

## Options/Accessories

Part #	Description	Price
204258	Real time clock module	\$127.00

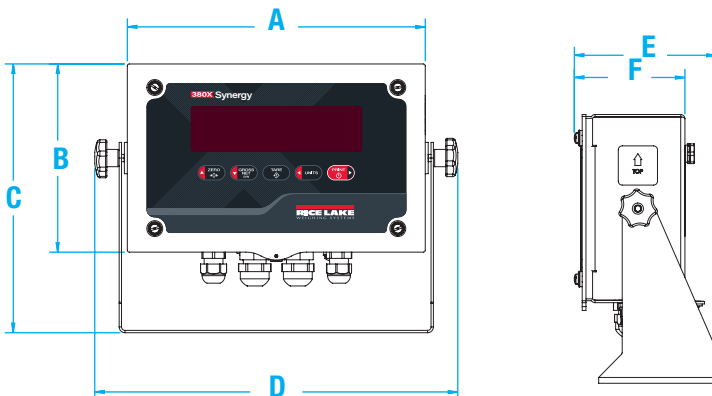
To have your option factory installed, please specify when placing your order.



† US plug (NA) - Type B

## Dimensions

380X Synergy Series			
A	9.50 in (241 mm)	D	11.58 in (294 mm)
B	6.00 in (152 mm)	E	4.53 in (115 mm)
C	8.57 in (218 mm)	F	3.53 in (90 mm)



## Specifications

### Power:

Battery: Lithium ion  
Charger: 120 VAC Internal

### Power Consumption:

25 W max with internal power

### Excitation Voltage:

5 VDC, 8 × 350 ohm or 16 × 700 ohm load cells

### Analog Signal Input Range:

-0.3 mV to +30 mV  
Common mode voltage 0.7 V to 3.3 V

### Analog Signal Sensitivity:

1 μV/graduation recommended

### A/D Sample Rate:

5, 6, 10, 12, 20, 25, 40, 50, 80, 100 Hz, software selectable

### Resolution:

Internal: 8,000,000 counts  
Display: 100,000

### System Linearity:

Within 0.01% full scale

### Communication Ports:

One full-duplex RS-232  
One USB 2.0

### Annunciators:

g, lb, t, tn, kg, oz, battery level, PT, LT, gross, zero, unstable, net

### Display:

Six 1 in (25 mm) tall, LCD digits

### Keys/Buttons:

Five-tactile buttons

### Dimensions:

(L × W × H)  
11.58 × 4.53 × 8.57 in  
(294 × 115 × 218 mm)

### Temperature Range:

Certified: 14 °F to 104 °F (-10 °C to 40 °C)  
Operating: 14 °F to 122 °F (-10 °C to 50 °C)

### Rating/Material:

IP69K, 304 Stainless steel

### Weight:

6.25 lb (3 kg)

### Warranty:

Two-year limited

### EMC Immunity:

10 V/m

### Approvals:

NTEP 21-051  
Measurement Canada  
CE (pending)  
cULus (pending)

# 381 Synergy Series

## Battery Powered Digital Weight Indicator



### Approvals



Measurement  
Canada  
Approved

### Standard Features

- LCD display
- Battery powered
- Push-button and keyed tare
- Two communication ports
- Five tactile buttons
- Configurable print formats
- ABS enclosure

### Options

- Time/date

### Part Number/Price

Part #	Description	Price
215695	381 Universal, AA battery powered	\$355.00
215696	381 Universal, Nickel metal hydride (NiMH) battery powered	\$500.00

### Options/Accessories

Part #	Description	Price
215273	RS-232 DB9 cable, 1.5 m DB9 female RJ11 connector, compatible with 381 model	\$185.00
204258	Real time clock module	\$127.00
216647	3 mm t-handle hex key	\$6.00

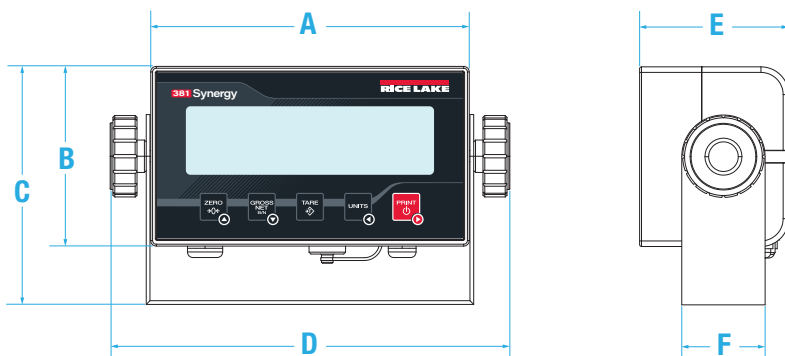
To have your option factory installed, please specify when placing your order.



† US plug (NA) - Type B

### Dimensions

381 Synergy Series			
A	6.77 in (172 mm)	D	8.50 in (216 mm)
B	3.82 in (97 mm)	E	3.17 in (81 mm)
C	5.06 in (129 mm)	F	1.77 in (45 mm)



### Specifications

#### Power:

Battery: AA or Nickel Metal Hydride (NiMH)  
381-2D-AA Adapter: 115/230 VAC to 12 VDC  
381-2D-NiMH Charger: 115/230 VAC

#### Power Consumption:

AA: input 0.8 A  
(6 W while using AC adapter)  
NiMH: input of 0.35 A

#### Battery Life:

AA: 40 hours with 1 × 350 ohm load cell  
NiMH: 80 hours with 1 × 350 ohm load cell

#### Excitation Voltage:

5 VDC, 8 × 350 ohm or 16 × 700 ohm load cells

#### Analog Signal Input Range:

-0.3 mV to +30 mV  
common mode voltage 0.7V to 3.3V

#### Analog Signal Sensitivity:

1 μV/graduation recommended

#### A/D Sample Rate:

5, 6, 10, 12, 20, 25, 40, 50, 80, 100Hz,  
software selectable

#### Resolution:

Internal: 8,000,000 counts  
Display: 100,000

#### System Linearity:

Within 0.01% full scale

#### Communication Ports:

One full-duplex RS-232  
One USB 2.0

#### Annunciators:

g, lb, t, tn, kg, oz, battery level, PT, LT, gross, zero,  
unstable, net

#### Display:

Six 1 in (25 mm) tall, LCD digits

#### Keys/Buttons:

5 tactile buttons

#### Dimensions:

(L × W × H)  
8.50 × 3.17 × 5.06 in  
(215.8 × 80.5 × 128.5 mm)

#### Temperature Range:

Certified: 14 °F to 104 °F (-10 °C to 40 °C)  
Operating: 14 °F to 122 °F (-10 °C to 50 °C)

#### Rating/Material:

AA Battery: IP54, ABS  
NiMH Battery: IP66, ABS

#### Warranty:

Two-year limited

#### EMC Immunity:

10 V/m

#### Approvals:

NTEP 21-051 Class III/IIIL, 10,000 d  
Measurement Canada AM-6184

# 480/482 Legend® Series

Digital Weight Indicator

INDICATORS /  
CONTROLLERS



## Specifications

### Power:

Line voltages: 100 to 240 VAC  
Frequency: 50/60 Hz  
DC voltages: n/a

### Power consumption:

8 W

### Excitation Voltage:

5 VDC, 8 × 350 ohm or 16 × 700 ohm load cells

### Analog Signal Input Range:

±7mV/V

### Analog Signal Sensitivity:

0.1 μV/graduation minimum,  
0.5 μV/graduation recommended

### A/D Sample Rate:

5, 10, 20, 40 Hz, software selectable

### Resolution:

Internal: 523,000 counts  
Display: 100,000

### System Linearity:

Within 0.01% of full scale

### Digital I/O:

Optional 2 or 4 inputs  
4 or 8 dry-contact relays

### Communication Ports:

Com 1: RS-232 full duplex  
Com 2: RS-232 full duplex or 20 mA simplex, continuous  
Both ports 1200, 2400, 4800, 9600, 19200, 38400 baud seven or eight data bits, even, odd or no parity

### (Optional) Analog Output:

16-bit resolution, voltage output 0-10 VDC, current output 0-20 mA / 4-20 mA

### (Optional) Relay Board:

Two opto-isolated, 5 to 24 VDC, active high inputs  
Primary keys, pseudo functions, batching functions  
(4) 30 VDC, 2 amp dry-contact relays

### Annunciators:

Gross, net, center of zero, standstill, lb, kg, tare, preset tare

### Display:

**480/480 Plus:** LED display  
0.8 in (20 mm), six-digit, seven-segment  
**482/482 Plus:** LCD backlit display,  
transmissive/transflective  
0.8 in (20 mm), six-digit, seven-segment

### Keys/Buttons:

Flat membrane panel, embossed keys, tactile feel

### Temperature Range:

Certified: 14 °F to 104 °F (-10 °C to 40 °C)  
Operating: 14 °F to 122 °F (-10 °C to 50 °C)

### Rating/Material:

NEMA Type 4X/IP66  
Stainless steel

### Weight:

6.4 lb (2.9 kg)

### Warranty:

Two-year limited

### EMC Immunity:

EN 50082 Part 2 IEC EN  
61000-4-2, 3, 4, 5, 6, 8, and 11

### Approvals:

NTEP 12-123, Class III/IIIL, 10 ,000d  
Measurement Canada AM-5892C  
OIML R76/2006-NL1-15.24  
EU Test Certificate TC8322  
CE Marked  
cULus  
UKCA

## Approvals



Measurement  
Canada  
Approved



UK  
CA

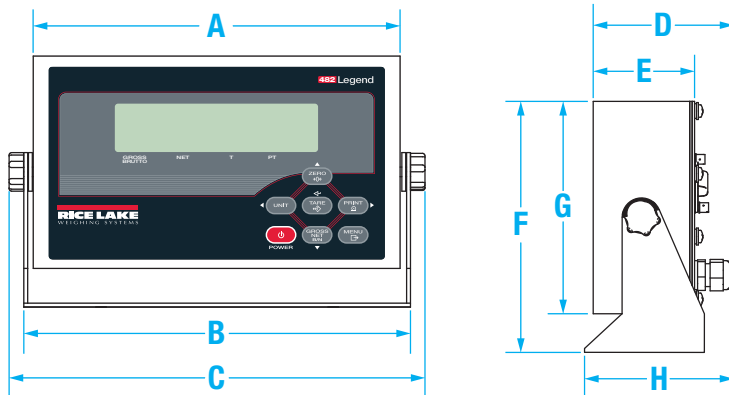


## Standard Features

- LED display (480)
- LCD backlit display (482)
- Time and date, battery backed
- Local/remote operation
- Numeric keypad (480 Plus/482 Plus)
- Keyed entries for setpoint values (480 Plus/482 Plus)
- Two independent serial ports
- NEMA Type 4X/IP66 stainless steel washdown enclosure
- Programmable ticket formats for gross, net, accumulator and setpoints
- Five continuous stream formats
- Adapter filter or rolling average filter
- Operator functions through menu for audit trail, preset tare, unit ID, accumulator, time and date, setpoints, communications and print formats
- Eight setpoints, sequenced batch engine
- Configurable with Revolution® software

## Dimensions

480/482 Legend Series			
A	9.50 in (241 mm)	D	3.65 in (92 mm)
B	10.00 in (254 mm)	E	2.75 in (70 mm)
C	11.00 in (279 mm)	F	7.00 in (178 mm)
		G	6.00 in (152 mm)
		H	3.75 in (95 mm)





# 480/482 Legend® Series

Digital Weight Indicator

INDICATORS /  
CONTROLLERS

## Part Number/Price

Part #	Description	Est. Weight	Price
<b>480 Indicator 115 VAC †</b>			
126564 †	480 LED	8 lb	\$895.00
130338 †	480 LED with analog output	8 lb	\$1,325.00
<b>480 Indicator 90 to 264 VAC ††</b>			
126565 ††	480 LED	8 lb	\$895.00
130339 ††	480 LED with analog output	8 lb	\$1,275.00
<b>480 Plus Indicator 115 VAC †</b>			
164588 †	480 Plus LED	8 lb	\$895.00
164589 †	480 Plus LED with analog output	8 lb	\$1,325.00
164590 †	480 Plus LED with relay output	8 lb	\$1,125.00
<b>480 Plus Indicator 90 to 264 VAC ††</b>			
164591 ††	480 Plus LED	8 lb	\$895.00
164592 ††	480 Plus LED with analog output	8 lb	\$1,325.00
164593 ††	480 Plus LED with relay output	8 lb	\$1,075.00
<b>482 Indicator 115 VAC †</b>			
164581 †	482 LCD	8 lb	\$1,045.00
<b>482 Indicator 90 to 264 VAC ††</b>			
164672 ††	482 LCD	8 lb	\$1,045.00
<b>482 Plus Indicator 115 VAC †</b>			
164584 †	482 Plus LCD	8 lb	\$1,045.00
<b>482 Plus Indicator 90 to 264 VAC ††</b>			
164673 ††	482 Plus LCD	8 lb	\$1,045.00

## Options/Accessories

Part #	Description	Price
131340	Mounting bracket for option boards	\$31.00
131341	Analog output, 0-10 VDC, 4-20mA (requires 131340)	\$420.00
131342	Relay board, two digital inputs, four dry contact outputs (requires 131340)	\$255.00
165379	Flash update cable	\$82.00
151100	A/D sealing kit, used with audit trail tracking	\$40.00
151099	Panel mount bezel (not NEMA Type rated)	\$215.00
83564	Clear protective overlay (package of five)	\$82.00
119201	Installation manual (480 indicator)	\$31.00
165124	Installation manual (482 indicator)	\$29.00
<b>Primary Replacement Components</b>		
131345	Overlay, 480 six-key, red window	\$78.00
159612	Overlay, 480 Plus with numeric keys, red window	\$78.00
131346	Display board, LED	\$189.00
161048	Overlay, 482 six-key, green window	\$78.00
161049	Overlay, 482 Plus with numeric keys, green window	\$78.00
153776	Display board, LCD	\$185.00
131316	Power supply, 85-265 VAC	\$68.00
131318	CPU board	\$310.00
131319	A/D board	\$245.00

\* Revolution can be downloaded for free at [www.ricelake.com](http://www.ricelake.com)

To have your option factory installed, please specify when placing your order.



† US plug (NA) - Type B



†† Euro Plug - Type E

# 680 Synergy Series

Digital Weight Indicator

INDICATORS /  
CONTROLLERS



## Specifications

### Power:

Line voltages: 100 to 240 VAC  
Frequency: 50 to 60 Hz

### Power Consumption:

2W (AC) 1 × 350 ohm load cell, 15W max

### Excitation Voltage:

10 VDC (± 5 VDC), 8 × 350 ohm or  
16 × 700 ohm load cells

### Analog Signal Input Range:

-5 mV to +70 mV

### Analog Signal Sensitivity:

1 µV/graduation recommended

### A/D Sample Rate:

6.25 to 120 Hz, software selectable

### Resolution:

Internal: 8,000,000 counts  
Display: 1,000,000

### System Linearity:

Within 0.01% full scale

### Digital I/O:

Four configurable I/O - 5V logic

### (Optional) Analog Output:

16-bit resolution, voltage output 0-10 VDC,  
current output 0-20 mA / 4-20 mA

### Communication Ports:

Two full-duplex RS-232  
RS-485/422 (five-wire)  
Micro USB (device)  
Ethernet TCP/IP (10/100)

### Annunciators:

Eight LED annunciators

### Display:

Seven 0.8 in tall, seven-segment digits

### Keys/Buttons:

Flat membrane panel, tactile feel  
(18 buttons plus ON/OFF)

### Dimensions:

(L × W × H)  
11.58 × 4.05 × 8.57 in  
(294 × 103 × 218 mm)

### Temperature Range:

Certified: 14 °F to 104 °F (-10 °C to 40 °C)  
Industrial: 14 °F to 122 °F (-10 °C to 50 °C)

### Rating/Material:

IP69K (IP66 with RJ45)  
AISI 304 stainless Steel

### Weight:

6.25 lb (3 kg)

### Warranty:

Two-year limited

### EMC Immunity:

10 V/m

### Approvals:

NTEP 19-021, Class III/IIIL, 10,000d  
Measurement Canada AM-6121C  
OIML R76/2006-A-NL1-19.56  
EU Test Certificate TC11562  
UKCA  
CE Marked  
cULus Listed

## Approvals



Measurement  
Canada  
Approved



UK  
CA



## Standard Features

- LED display
- Battery backed time and date
- Full numeric keypad
- Multiple communication ports
- Eight setpoint, 22 configurable types
- Numeric keyed entry for tare and setpoint entry
- Formattable tickets
- Four onboard configurable digital I/O points, TTL logic
- Local/remote

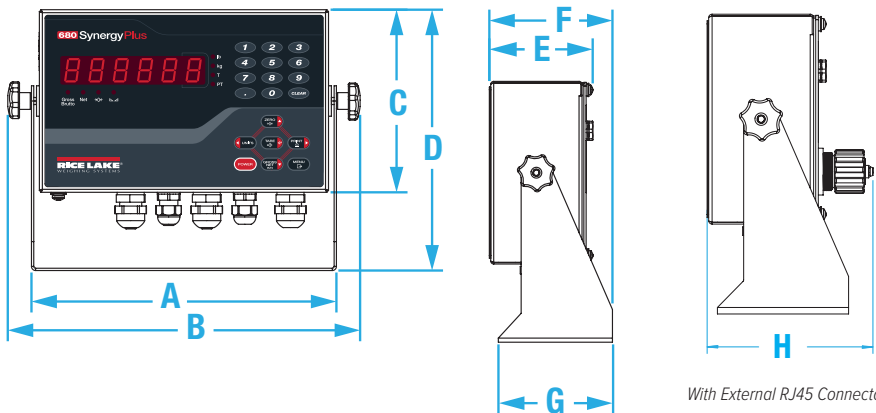
## Options

- Analog output: 16-bit resolution, 0-10 VDC, 0-20 mA, 4-20 mA
- RJ45 Ethernet connector

*Note: IP Rating is IP66 with RJ45 option. Rating is valid only when the cover is in place, not in use.*

## Dimensions

680 Synergy Series			
A	10.02 in (255 mm)	E	3.40 in (86 mm)
B	11.58 in (294 mm)	F	4.05 in (103 mm)
C	6.00 in (152 mm)	G	3.80 in (97 mm)
D	8.57 in (218 mm)	H	4.74 in (120 mm)



# 680 Synergy Series

Digital Weight Indicator

## Part Number/Price

Part #	Description	Est. Weight	Price
<b>115 to 230 VAC</b>			
193152†	680 Plus indicator, LED display, US power cord	7 lb	\$975.00
193153††	680 Plus indicator, LED display, EU power cord	7 lb	\$975.00
196326†††	680 Plus indicator, LED display, UK power cord	7 lb	\$975.00
196327††††	680 Plus indicator, LED display, AUS power cord	7 lb	\$975.00
<b>9 to 36 VDC</b>			
193154*	680 Plus indicator, LED display	7 lb	\$1,085.00
<b>With Analog Output Card</b>			
195176†	680 Plus indicator, LED display, 115-230 VAC with analog output card, US power cord	7 lb	\$1,295.00
195177††	680 Plus indicator, LED display, 115-230 VAC with analog output card, EU power cord	7 lb	\$1,295.00
196539†††	680 Plus indicator, LED display, 115-230 VAC with analog output card, UK power cord	7 lb	\$1,295.00
196538††††	680 Plus indicator, LED display, 115-230 VAC with analog output card, AUS power cord	7 lb	\$1,295.00
<b>With External RJ45 Connector**</b>			
200183†	680 Plus Indicator, LED display, 115-230VAC with RJ45, US power cord	7 lb	\$1,125.00
200184††	680 Plus Indicator, LED display, 115-230 VAC with RJ45, EU power cord	7 lb	\$1,125.00
200185†††	680 Plus Indicator, LED display, 115-230 VAC with RJ45, UK power cord	7 lb	\$1,125.00
200186††††	680 Plus Indicator, LED display, 115-230 VAC with RJ45, AUS power cord	7 lb	\$1,125.00

\*Not UL approved

\*\*IP rating is IP66 with RJ45 option

## Options/Accessories

Part #	Description	Price
195084	Analog output option card	\$360.00
151099	Panel mount option, gasketed non-NEMA seal	\$215.00
195684	CPU board	\$505.00
194477	Parts kit	\$33.50

To have your option factory installed, please specify when placing your order.



† US plug (NA) - Type B



†† Euro Plug - Type E



††† BS1363 (UK) - Type G



†††† AS 3112 (Australian) - Type I

INDICATORS /  
CONTROLLERS

# 682 Synergy Series

Digital Weight Indicator



INDICATORS /  
CONTROLLERS

## Approvals



Measurement  
Canada  
Approved



## Standard Features

- Graphical, LCD color display with configurable softkeys
- Numeric, tactile keypad for scale operations, numeric entry and navigation
- Multi-language operation and text entry
- Formattable tickets
- Battery backed time and date
- Multiple communication ports
- Eight setpoints, 22 configurable types
- Fieldbus communication using Rice Lake's SCT-2200 modules and RS-485 port
- Built-in web server for remote access, systems integration and data monitoring
- Built-in Truck In/Out application
- Four onboard configurable digital I/O points, TTL logic
- Local/remote
- Multi-range/interval

## Options

- Analog output: 16-bit resolution, 0-10 VDC, 0-20 mA, 4-20 mA
- Relay card
- Dual serial card
- RJ45 Ethernet connector

*Note: IP Rating is IP66 with RJ45 option. Rating is valid only when the cover is in place, not in use.*

## Specifications

### Power:

Line voltage: 100 to 240 VAC, 50/60Hz  
Optional: 9 to 36 VDC

### Power Consumption:

3.2W (AC) 1 × 350 ohm load cell, 15W max;  
4W 4 × 350 ohm load cells or  
8 × 700 ohm load cells

### Excitation Voltage:

10 VDC (± 5 VDC), 8 × 350 ohm or  
16 × 700 ohm load cells

### Analog Signal Input Range:

-5 mV to +70 mV

### Analog Signal Sensitivity:

0.3 μV/graduation minimum  
1 μV/graduation recommended

### A/D Sample Rate:

6.25 to 120 Hz, software selectable

### Resolution:

Internal: 8,000,000 counts  
Display: 1,000,000

### System Linearity:

Within 0.01% full scale

### Digital I/O:

Four configurable I/O, 5V logic

### (Optional) Analog Output:

16-bit resolution, voltage output 0-10 VDC, current output 0-20 mA / 4-20 mA

### (Optional) Relay Board:

4 normally open dry contact relays and can switch 20-250 VAC @ 3A or 30 VDC @ 3A. Use of external fusing to limit current is recommended. Relay COM-NO are transient protected to 400V @ 600W

### Communication Ports:

Two full-duplex RS-232  
RS-485/422 (two-wire or four-wire)  
Micro USB (device)  
Ethernet TCP/IP (10/100)  
Wi-Fi  
Bluetooth®

### Annunciators:

Zero, Gross/Net, Tare, Wi-Fi, Bluetooth®

### Display:

Five-inch LCD, 800 × 480 pixel, 500 NIT

### Keys/Buttons:

Flat membrane panel, tactile feel  
18 buttons plus 5 softkeys and power

### Dimensions:

(L x W x H)  
10.0 x 4.0 x 8.6 in  
(254 x 102 x 218 mm)

### Temperature Range:

Certified: 14 °F to 104 °F (-10 °C to 40 °C)  
Industrial: 14 °F to 122 °F (-10 °C to 50 °C)

### Rating/Material:

IP69K (IP66 with RJ45 option)  
AISI 304 Stainless Steel

### Weight:

6.25 lb (2.84 kg)

### Warranty:

Two-year limited

### Approvals:

NTEP CC 19-021, Class III/III.L, 10,000d  
Measurement Canada AM-6121C  
OIML R76 2006 A NL1 19.56R3  
EU Test Certificate TC11562  
CE Marked  
UKCA  
cULus

# 682 Synergy Series

Digital Weight Indicator

## Part Number/Price

Part #	Description	Est. Weight	Price
<b>115-230 VAC</b>			
193155†	682 Plus indicator, LCD display, US power cord	7 lb	\$1,125.00
193156††	682 Plus indicator, LCD display, EU power cord	7 lb	\$1,125.00
207348†††	682 Plus indicator, LCD display, UK power cord	7 lb	\$1,125.00
207349††††	682 Plus indicator, LCD display, AU power cord	7 lb	\$1,125.00
<b>9-36 VDC</b>			
193157	682 Plus indicator, LCD display	7 lb	\$1,235.00
<b>With External RJ45 Connector*</b>			
207354†	682 Plus indicator, LCD display, 115-230 VAC with RJ45, US power cord	7 lb	\$1,275.00
207355††	682 Plus indicator, LCD display, 115-230 VAC with RJ45, EU power cord	7 lb	\$1,275.00
207356†††	682 Plus indicator, LCD display, 115-230 VAC with RJ45, UK power cord	7 lb	\$1,275.00
207357††††	682 Plus indicator, LCD display, 115-230 VAC with RJ45, AU power cord	7 lb	\$1,275.00

\*IP rating is IP66 with RJ45 option



† US plug (NA) - Type B



†† Euro Plug - Type E



††† BS1363 (UK) - Type G



†††† AS 3112 (Australian) - Type I

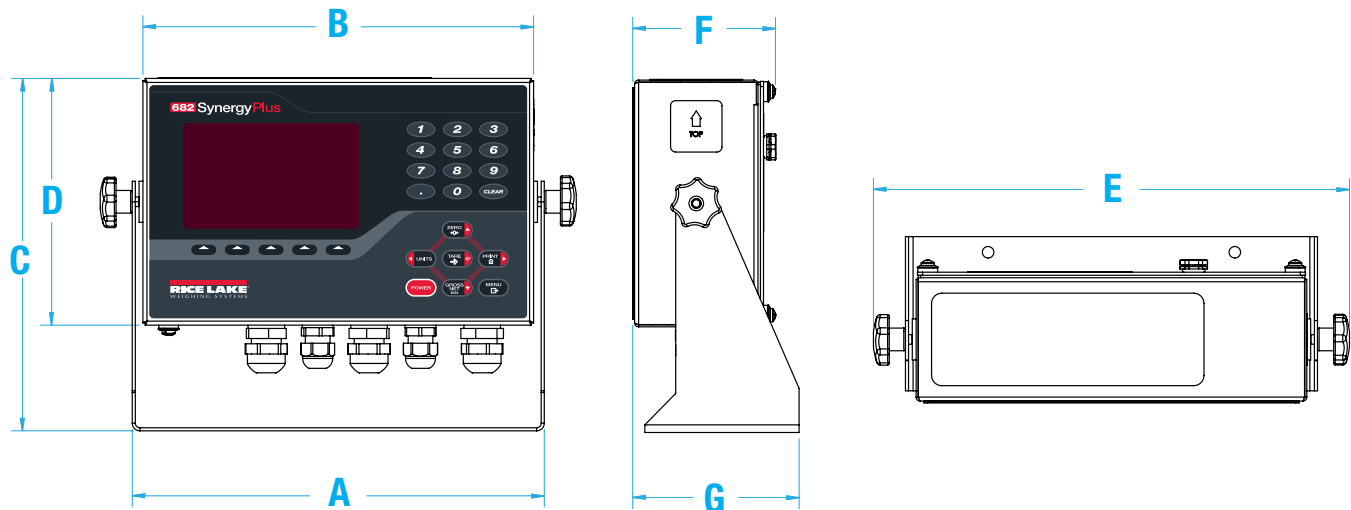
## Options/Accessories

Part #	Description	Price
195084	Analog output	\$360.00
211709	Relay board	\$360.00
211710	Serial output	\$360.00
151099	Panel Mount	\$215.00
211701	Replacement CPU	\$480.00
194477	Parts kit	\$33.50

Note: Reference SCT-2200 (page 541) for Fieldbus part numbers

## Dimensions

682 Synergy Series			
A	10.0 in (254 mm)	E	11.6 in (295 mm)
B	9.5 in (241 mm)	F	3.5 in (89 mm)
C	8.6 in (218 mm)	G	4.0 in (102 mm)
D	6.0 in (152 mm)		



INDICATORS /  
CONTROLLERS

# 680HE Synergy Series

Hostile Environment Digital Weight Indicator

INDICATORS /  
CONTROLLERS



## Approvals



Measurement  
Canada  
Approved



## Part Number/Price

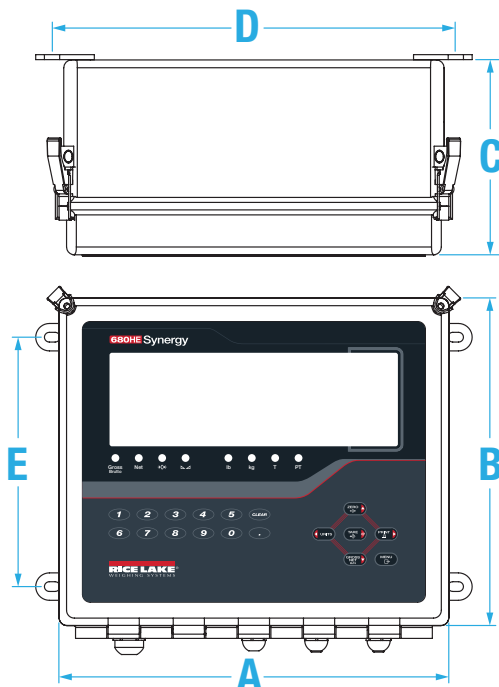
Part #	Description	Est. Weight	Price
197177	680HE Plus indicator, 115 to 230 VAC	6.25 lb (3 kg)	\$2,070.00
199574	680HE Plus indicator, 115 to 230 VAC with external RJ45	6.25 lb (3 kg)	\$2,225.00

## Options/Accessories

Part #	Description	Price
195084	Analog output option card	\$360.00

## Dimensions

680HE Synergy Series			
A	12.50 in (318 mm)	D	13.00 in (330 mm)
B	10.50 in (267 mm)	E	8.00 in (203 mm)
C	6.30 in (160 mm)		



## Standard Features

- LED display
- Battery backed time and date
- Full numeric keypad
- Multiple communication ports
- Eight setpoints, 22 configurable types
- Numeric keyed entry for tare and setpoint entry
- Formattable tickets
- Four onboard configurable digital I/O points, TTL logic
- Local/remote

## Options

- Ethernet bulkhead connector
- Analog output: 16-bit resolutions, 0 to 10 VDC, 0 to 20 mA, 4 to 20 mA

## Specifications

### Power:

Line voltages: 100 to 240 VAC  
Frequency: 50/60 Hz

### Power Consumption:

12W (AC) with one 350 ohm load cell, 30W max

### Excitation Voltage:

10 VDC (± 5 VDC)

### Analog Signal Input Range:

-0.5 mV/V to +7 mV/V

### Analog Signal Sensitivity:

1 µV/graduation recommended

### A/D Sample Rate:

6.25 to 120 Hz, software selectable

### Resolution:

Internal: 8,000,000 counts  
Display: 100,000

### System Linearity:

Within 0.01% full scale

### Digital I/O:

Four configurable I/O-5V logic

### Communication Ports:

Two full-duplex RS-232  
RS-485/422 (five-wire)  
Micro USB (device)  
Ethernet TCP/IP (10/100)

### Annunciators:

Eight LED annunciators

### Display:

Six 2.5 in tall, seven-segment digits

### Keys/Buttons:

Flat membrane panel, tactile feel  
(18 buttons)

### Dimensions:

(L × W × H)  
12.50 × 6.30 × 10.50 in  
(318 × 160 × 267 mm)

### Temperature Range:

Certified: 14 °F to 104 °F (-10 °C to 40 °C)  
Operating: 14 °F to 122 °F (-10 °C to 50 °C)

### Rating/Material:

IP66, FRP

### Weight:

7.9 lb (3.5 kg)

### Warranty:

Two-year limited

### EMC Immunity:

10 V/m

### Approvals:

NTEP 19-021, Class III/IIIL, 10,000d  
Measurement Canada AM-6121C  
CE Marked  
cULus Listed





Universal

### Approvals



Measurement  
Canada  
Approved



c **RU** us



### Standard Features

- LCD display
- Four softkeys
- Truck in/out, 1,000-ID memory (PCE software version)
- 32 setpoints, 26 configurable types (Batch software version)
- Process control engine ProAction PCE define conditions and actions
- Data storage onboard, ProAction DBE user-defined
- Eight digital I/O (expandable)
- One option slot for pluggable options
- 20 auxiliary print formats
- Time & date
- Audit trail tracking and alibi storage
- Peak hold
- Rate of change
- Accumulator
- Multi-range/interval
- Local/remote
- Two full duplex serial ports
- Header for fiber-optic, Ethernet or USB



Panel Mount



CPU Enclosure

### Specifications

#### Power:

Line voltages: 100 to 240 VAC  
Frequency: 50 to 60 Hz  
DC voltages: 12 to 24 VDC

#### Power Consumption:

25 W

#### Excitation Voltage:

10 VDC (+/- 5 VDC), 16 × 350 ohm or 32 × 700 ohm load cells

#### Analog Signal Input Range:

-10 mV to +45 mV

#### Analog Signal Sensitivity:

0.3 μV/graduation minimum at 7.5 Hz  
1.0 μV/graduation recommended

#### A/D Sample Rate:

7.5 to 960 Hz, software selectable

#### Resolution:

Internal: 8,000,000 counts  
Display: 1,000,000

#### System Linearity:

±0.01% full scale

#### Digital I/O:

Eight channels on CPU board;  
optional 24-channel I/O

#### Communication Ports:

Two ports on CPU board support up to 115,200 bps  
Port 2: Full duplex RS-232 with handshaking  
Port 4: Full duplex RS-232, simplex 20mA  
Optional dual-channel serial expansion boards  
Channel A: RS-232, RS-485, 20 mA  
Channel B: RS-232, 20 mA

#### Display:

240 × 64 pixel, transfective LCD  
Panel mount: 3.8 × 1.2 in (96 × 30 mm)  
Universal: 5.3 × 1.5 in (133 × 39 mm)

#### Keys/Buttons:

Ten-key (panel mount) membrane panel  
22-key (universal) membrane panel tactile feel

#### Temperature Range:

Certified: 14 °F to 104 °F (-10 °C to 40 °C)  
Operating: 14 °F to 122 °F (-10 °C to 50 °C)

#### Rating/Material:

NEMA Type 4X/IP66  
Stainless steel

#### Weight:

Universal enclosure: 9.5 lb (4.3 kg)  
Panel Mount enclosure: 8.5 lb (3.9 kg)

#### Warranty:

Two-year limited

#### EMC Immunity:

3 V/m

#### Approvals:

NTEP CC 08-022, Class III/IIL 10,000d  
Measurement Canada AM-5677C  
Class III/IIHD 10,000d  
CE Marked  
UL/cUL Listed (universal)  
UL/cUL Recognized (panel mount)

# 720i™ Series

Programmable Weight Indicator and Controller

## Part Number/Price

Part #	Description	Est. Weight	Price
<b>PCE Software</b>			
101230 †	720i Universal, 115 VAC	12 lb	\$1,700.00
103459 ††	720i Universal, 115 to 230 VAC, CE	12 lb	\$1,700.00
107708*	720i Universal, 12 to 24 VDC	12 lb	\$1,800.00
101229**	720i Panel Mount, 115 to 230 VAC	12 lb	\$1,700.00
119116**	720i Panel Mount, 115 to 230 VAC, CE	12 lb	\$1,700.00
107710*	720i Panel Mount, 12 to 24 VDC	12 lb	\$1,800.00
<b>Batch Software</b>			
115447 †	720i Universal, 115 VAC	12 lb	\$1,700.00
115448 ††	720i Universal, 115 to 230 VAC, CE	12 lb	\$1,700.00
115449**	720i Panel Mount, 115 to 230 VAC	12 lb	\$1,700.00

\*DC/DC converter installed option, not UL approved

\*\*Power cord sold separately



† US plug (NA) - Type B



†† Euro Plug - Type E

## Options/Accessories

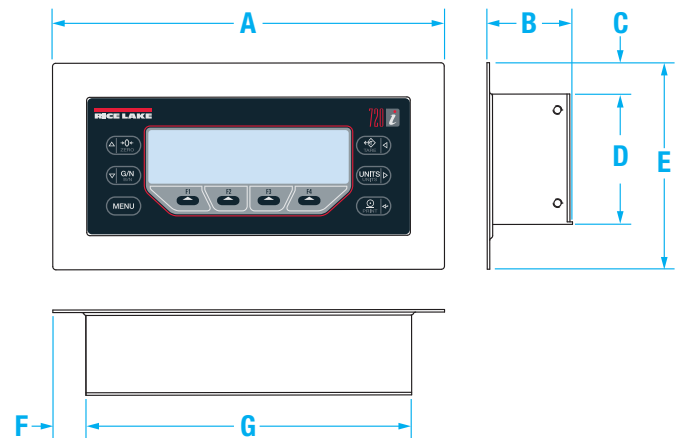
Part #	Description	Price
<b>Option Cards</b>		
67601	Digital I/O, 24-channel	\$300.00
67602	Analog output: selectable 0-10 V, 0-20 mA	\$325.00
67604	Serial, dual channel	\$350.00
<b>Network Cards</b>		
77142	Ethernet TCP/IP Port (replaces serial port 2)	\$420.00
71986	Ethernet TCP/IP module (installed in option slot)	\$455.00
206272	Wi-Fi 802.11 A/B (replaces serial port 2)	\$610.00
87803	EtherNet/IP® interface	\$895.00
68539	Remote I/O interface	\$720.00
68540	Profibus® DP interface	\$720.00
68541	DeviceNet™ interface	\$720.00
<b>Hardware</b>		
15436	Power cord for Panel Mount NEMA Type 5-15 plug	\$18.00
105382	Power cord for Panel Mount CEE 7/7 plug	\$18.00
19369	Start/stop switch box	\$475.00
83569	Clear protective overlay (package of five)	\$79.00
118975	Mount kit to convert Universal to Panel - non-NEMA rated	\$195.00
101923	Remote relay box, does not include relay	\$495.00
<b>Manuals &amp; Software</b>		
103121	Installation manual	\$25.00
<b>Primary Component Parts</b>		
106788	CPU board assembly with PCE firmware	\$1,050.00
195388	CPU board assembly with batching firmware	\$1,050.00
101244	LCD display (Panel Mount) transfective	\$195.00
102888	LCD display (Universal) transfective	\$195.00
101239	Display board (includes display for Panel Mount)	\$495.00
102887	Display board (w/o display for Universal)	\$375.00
67613	AC power supply 100 to 240 nominal, 25 watt	\$195.00
132791	DC/DC power supply 12 to 24 VDC nominal, 25 watt	\$235.00
101256	Switch membrane for Panel Mount	\$85.00
101257	Switch membrane for Universal	\$85.00

To have your option factory installed, please specify when placing your order.

INDICATORS /  
CONTROLLERS

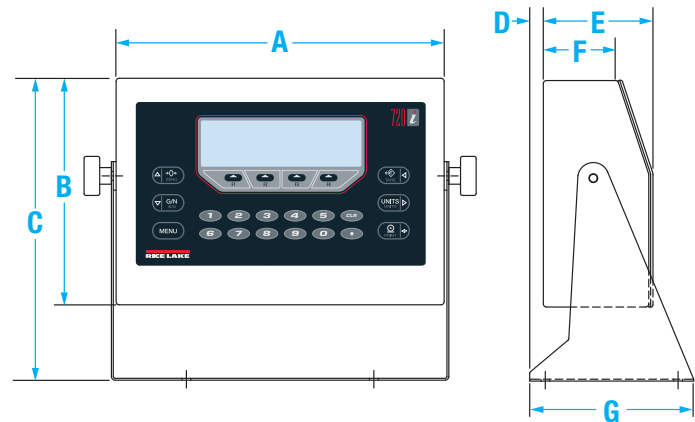
## Dimensions

720i Panel Mount Display		
A	7.36 in (187 mm)	D 2.45 in (62 mm)
B	1.60 in (41 mm)	E 3.88 in (99 mm)
C	0.59 in (15 mm)	F 0.62 in (16 mm)
G 6.12 in (155 mm)		
720i Panel Mount CPU Enclosure		
(L × W × H): 12.75 × 6.05 × 2.14 in (324 × 154 × 5 mm)		



## Dimensions

720i Universal		
A	10.50 in (267 mm)	D 0.44 in (11 mm)
B	7.25 in (184 mm)	E 3.51 in (89 mm)
C	9.66 in (245 mm)	F 2.31 in (59 mm)
G 5.25 in (133 mm)		



# 880/880 Plus Performance™ Series

Programmable Weight Indicator and Controller



880 Plus Universal



880 Panel Mount

INDICATORS /  
CONTROLLERS

## Specifications

### Power:

Line voltages: 100 to 240 VAC  
Frequency: 50/60 Hz  
DC voltages: 12 to 24 VDC

### Power consumption:

AC: 15 W, DC: 20 W

### Excitation Voltage:

10 VDC (+/- 5 VDC), 16 × 350 ohm or 32 × 700 ohm load cells

### Analog Signal Input Range:

-45 mV to 45 mV

### Analog Signal Sensitivity:

0.3 µV/graduation minimum at 7.5 Hz;  
1.0 µV/graduation recommended

### A/D Sample Rate:

7.5 to 960 Hz, software selectable

### Resolution:

Internal: 8,000,000 counts  
Display: 999,999

### System Linearity:

± 0.01% full scale

### Digital I/O:

Four I/O onboard, primary keys, pseudo functions, batching functions

### (Optional) Analog Output:

Voltage output: 0–10 VDC  
Load resistance: 1 k ohm minimum  
Current output: 0–20 mA or 4–20 mA  
External loop resistance: 500 W maximum

### (Optional) Relay Board:

Four channel relay module, dry contact 3 A at 115 VAC, 3 A at 30 VDC

### Communication Ports:

RS-232 full duplex or RS-485 half duplex;  
USB micro A/B connector 2.0;  
Ethernet TCP/IP

### Annunciators:

Gross, net, center of zero, standstill, lb, kg, tare, preset tare, multi-range/interval 1/2/3

### Display:

LED, 0.56 in (14 mm), six-digit, 14-segment with decimal or comma

### Keys/Buttons:

Membrane panel, tactile feel

### Dimensions:

(L × W × H)  
Panel: 6.00 × 4.95 × 4.00 in (152 × 126 × 102 mm)  
Universal: 9.87 × 4.00 × 9.38 in  
(248 × 102 × 235 mm)

### Temperature Range:

Certified: 14 °F to 104 °F (-10 °C to 40 °C)  
Operating: 14 °F to 122 °F (-10 °C to 50 °C)

### Rating/Material:

Panel display: stainless steel, NEMA Type 4X, Type 12 and IP69K  
Panel mount controller: Aluminum  
Universal: stainless steel, IP69K

### Weight:

Panel: 2.5 lb (1.2 kg);  
Universal: 6.5 lb (2.9 kg)

### Warranty:

Two-year limited

### EMC Immunity:

10 V/m

### Approvals:

NTEP 13-080 Class III/IIIL, 10,000d  
Measurement Canada AM-5931C  
OIML R76/2006-A-NL1-18.23 Class III, 10,000d  
EU Test Certificate TC8463  
CE Marked  
cULus Listed (universal)  
cULus Recognized (panel mount)

## Approvals



Measurement  
Canada  
Approved



## Standard Features

- LED display
- USB device port connects directly to a PC
- Ethernet TCP/IP polled or continuous polled or continuous, server/client
- Built-in DIN-rail clips on controller box (panel mount)
- Display and controller can be separated up to 250 ft (panel mount)
- Hardware slot for one option card
- Operator functions through menu key for audit trail, preset tare, accumulator, time & date and setpoints
- Audit trail tracking for configuration and calibration changes. Password protection for user and configuration changes.
- 20 setpoints with latched batch engine or unlatched outputs
- Four onboard digital I/O channels
- Programmable ticket formats up to 1,000 characters for header text, gross, net, accumulator and setpoints
- Five-point linearization calibration
- Local/remote operation
- Multi-range or multi-interval weighing
- Filter settings for light, medium and heavy noise

## Options

- Analog output
- Relay board
- Fieldbus connectivity
- Dual serial output (v4.00 and newer)
- 24-channel digital I/O (v4.00 and newer)
- Truck in/out program for 100 vehicle IDs
- Adapter plate for converting 310 and 520 panel mounts
- Panel mount kit for universal enclosure

# 880/880 Plus Performance™ Series

Digital Weight Indicator and Controller

INDICATORS /  
CONTROLLERS

## Part Number/Price

Part #	Description	Est. Weight	Price
<b>880 Panel Mount AC Powered*</b>			
177976	115 to 230 VAC, indicator	4 lb	\$1,350.00
177979	115 to 230 VAC, with analog output	4 lb	\$1,725.00
177980	115 to 230 VAC, with relay board	4 lb	\$1,725.00
177982	115 to 230 VAC, with EtherNet/IP, single port	4 lb	\$2,000.00
177983	115 to 230 VAC, with ProfiNet, single port	4 lb	\$2,000.00
177984	115 to 230 VAC, with Modbus/TCP, single port	4 lb	\$2,000.00
177985	115 to 230 VAC, with Profibus DP	4 lb	\$2,000.00
177986	115 to 230 VAC, with DeviceNet	4 lb	\$2,000.00
179155	115 to 230 VAC, with EtherCAT	4 lb	\$2,000.00
<b>880 Panel Mount DC Powered*</b>			
177987	12 to 24 VDC, indicator	4 lb	\$1,450.00
<b>880 Plus Universal AC Powered</b>			
177989 †	115 VAC, indicator	8 lb	\$1,600.00
178496 †	115 VAC, with analog output	8 lb	\$1,950.00
178499 †	115 VAC, with relay board	8 lb	\$1,950.00
179147 †	115 VAC, with EtherNet/IP, single port	8 lb	\$2,225.00
179148 †	115 VAC, with Profinet, single port	8 lb	\$2,225.00
179149 †	115 VAC, with Modbus TCP, single port	8 lb	\$2,225.00
179150 †	115 VAC, with Profibus	8 lb	\$2,225.00
179152 †	115 VAC, with DeviceNet	8 lb	\$2,225.00
179154 †	115 VAC, with EtherCAT	8 lb	\$2,225.00
177990 ††	115-230 VAC, indicator	8 lb	\$1,600.00
178497 ††	115-230 VAC, with analog output	8 lb	\$1,950.00
178500 ††	115-230 VAC, with relay board	8 lb	\$1,950.00
<b>880 Plus Universal DC Powered</b>			
178495	9 to 36 VDC, indicator	8 lb	\$1,700.00

\*Power cord not included

Indicator part numbers contain the single port network card



† US plug (NA) - Type B



†† Euro Plug - Type E

## Options/Accessories

Part #	Description	Price
<b>Option Cards (5.5 in CPU only)</b>		
179156	Analog output, 0-10 VDC, 0-20 mA, 4-20 mA	\$375.00
179157	Relay board, four dry contact outputs	\$350.00
197343**	Digital I/O, 24-channel TTL output	\$325.00
197347**	Serial ports, dual-channel RS-232/RS-485	\$375.00
<b>Network Cards</b>		
179158	EtherCAT interface	\$600.00
179159	EtherNet/IP® interface, single port	\$600.00
179160	Profinet® interface, single port	\$600.00
179161	Modbus TCP/IP interface, single port	\$600.00
179162	DeviceNet® interface	\$600.00
179163	Profibus DP interface	\$600.00
205566	EtherNet/IP interface, dual port	\$805.00
205567	Profinet interface, dual port	\$805.00
<b>Hardware</b>		
153660	Metrological sealing kit for panel mount	\$11.00
158404	Adapter plate for IQ310 and 520 replacement	\$73.00
101923	Relay box enclosure, does not include relay	\$495.00
177850	Mount kit, convert Universal to Panel, non-NEMA	\$215.00
180835	Universal backplate with RJ-45 receptacle	\$110.00
197422	Universal backplate with micro USB receptacle	\$125.00
197724	Clear protective overlay for Universal (pack of 5)	\$75.00
15436	Power cord for Panel Mount, US plug	\$18.00
105382	Power cord for Panel Mount, Euro plug	\$18.00

## Options/Accessories

Part #	Description	Price
<b>Cables</b>		
152434	Cable, USB A to micro A shielded, 2 meters	\$55.00
156817	Cable, Ethernet RJ45 connectors 1 meter	\$35.00
156806	Cable, USB A to A, 1 meter	\$35.00
156809	Cable, USB A to B, 1 meter	\$55.00
<b>Manuals and Software</b>		
152240	Operators manual	\$25.00
158387	Technical manual	\$25.00
<b>Primary Component Parts</b>		
131740	Overlay, Panel Mount, six-key	\$69.00
163986	Overlay, Universal with numeric keypad	\$69.00
131598	Display board	\$240.00
175603*	Power supply, 100 to 240 VAC	\$210.00
175604*	Power supply, 12 to 24 VDC	\$315.00
175109*	CPU board	\$575.00

\* Design change in 2017 to 5.5in wide controller, see replacement parts catalog for the 5.0inch wide boards.

\*\* Requires version 4.0 firmware

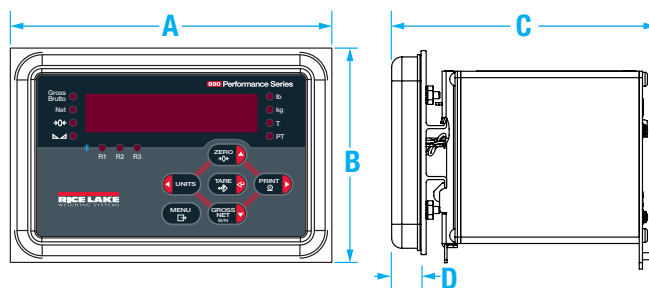
To have your option factory installed, please specify when placing your order.

# 880/880 Plus Performance™ Series

Digital Weight Indicator and Controller

## Dimensions

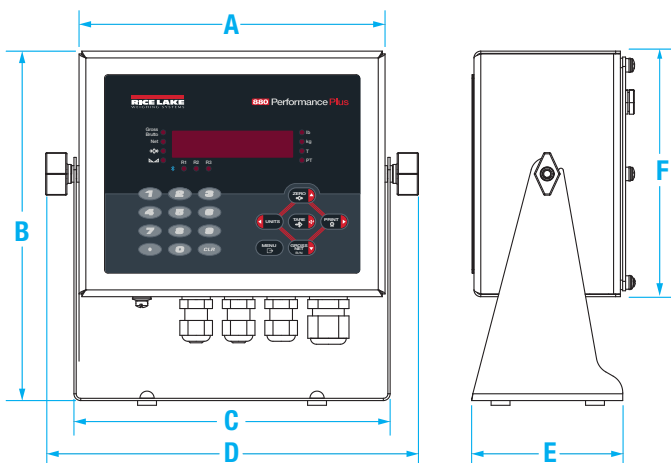
880 Panel Mount			
A	6.0 in (152 mm)	C	4.95 in (126 mm)
B	4.0 in (102 mm)	D	0.58 in (14 mm) BEZEL DEPTH



INDICATORS /  
CONTROLLERS

## Dimensions

880 Universal			
A	8.10 in (206 mm)	D	9.87 in (248 mm)
B	9.38 in (235 mm)	E	4.0 in (102 mm)
C	8.37 in (213 mm)	F	6.5 in (165 mm)







### Approvals



Measurement  
Canada  
Approved



### Standard Features

- Customizable backlit LCD graphical user interface
- 22 softkeys with 10 user-defined keys
- Tactile keypad for scale operations, numeric entry and navigation
- On-screen keyboard available during entry mode (or external keyboard)
- Supports 28 scales within 5 different scale types:
  - Analog load cell, multi-range/interval weighing
  - Total scale summing
  - Serial input scales
  - iQUBE<sup>2</sup> scales
  - Program scales
- 2 to 14 option slots for additional scale channels, serial ports, digital inputs and outputs, analog outputs and protocol interfaces
- iRite™ Programming Software
  - Customizable user applications with event-based functions
  - 150 built-in functions for application processes & data tables
- Four serial ports supporting RS-232, RS-485, 20mA
- USB Type A and B replaces Serial on Port 2 (USB model)
- Alibi memory captures serial port transmissions
- Configurable data stream format
- 100 setpoints, 27 configurable setpoint types
- Six digital I/O for control
- Four different enclosure types: universal, deep universal, wall mount, panel mount

### Specifications

#### Power:

AC voltages: 100 to 240 VAC  
Frequency: 50/60 Hz  
DC voltages: 12 to 24 VDC

#### Power Consumption:

AC: 25W (universal) or 65W (others)  
DC: 25W for all models

#### Excitation Voltage:

10 VDC (+/- 5 VDC)  
16 × 350 ohm or 32 × 700 ohm load cells  
per A/D card

#### Analog Signal Input Range:

-45 mV to +45 mV

#### Analog Signal Sensitivity:

0.3 µV/graduation minimum at 7.5 Hz  
1.0 µV/graduation recommended

#### A/D Sample Rate:

7.5 to 960 Hz, software selectable

#### Resolution:

Internal: 8,000,000 counts  
Display: 1,000,000

#### System Linearity:

± 0.01% full scale

#### Digital I/O:

Six I/O channels on CPU board;  
Optional 24-channel I/O expansion boards

#### Communication Ports:

Four ports on CPU board support up to 115,200bps  
Port 1: Full duplex RS-232  
Port 2: RS-232 with CTS/RTS; PS/2 keyboard  
interface or USB type A and B connectors  
Port 3: Full duplex RS-232, 20mA  
Port 4: Full duplex RS-232, 2-wire RS-485, 20mA  
Optional dual-channel serial expansion boards  
Channel A: RS-232, RS-485, 20 mA  
Channel B: RS-232, 20 mA

#### Display:

(W × H)  
4.6 × 3.4 in (116 × 86 mm),  
320 × 240 pixel  
LCD module with adjustable contrast  
Transmissive display  
Transflective display (optional)

#### Keys/Buttons:

27-key membrane panel, tactile feel,  
PS/2 or USB port for external keyboard connection

#### Temperature Range:

Certified: 14 °F to 104 °F (-10 °C to 40 °C)  
Operating: 14 °F to 122 °F (-10 °C to 50 °C)

#### Rating/Material:

NEMA Type 4X, Type 12, IP66  
Stainless steel

#### Weight:

Universal enclosure: 9.5 lb (4.3 kg)  
Wall mount enclosure: 23.0 lb (10.4 kg)  
Panel mount enclosure: 8.5 lb (3.9 kg)  
Deep universal: 11 lb (5.0 kg)

#### Warranty:

Two-year limited

#### EMC Immunity:

10 V/m

#### Approvals:

NTEP 01-088, Class III/IIIL 10,000d  
Measurement Canada AM-5426,  
Class III/III HD 10,000d  
OIML R76/2006-A-GB1-19.08  
EU Test Certificate TC11584  
cULus Listed (Universal, Deep Universal and  
Wall Mount)  
cULus Recognized (Panel Mount)  
cULus Listed 508A (Custom Wall Mount)  
CE Marked

# 920i® Series

Programmable Weight Indicator and Controller



INDICATORS /  
CONTROLLERS

## 920i Universal Part Number/Price

Part #	Description	USB	Est. Weight	Price
<b>Single-Channel</b>				
67527 †	115 VAC		10 lb	\$2,950.00
115003 †	115 VAC	USB	10 lb	\$3,050.00
67615 †	230 VAC		10 lb	\$2,950.00
120062 †	230 VAC	USB	10 lb	\$3,050.00
69522 ††	230 VAC		10 lb	\$2,950.00
120074 ††	230 VAC	USB	10 lb	\$3,050.00
107713 *	12 to 24 VDC, 25 watt		10 lb	\$3,050.00
120080 *	12 to 24 VDC, 25 watt	USB	10 lb	\$3,200.00
<b>Dual-Channel</b>				
69767 †	115 VAC		10 lb	\$3,050.00
120086 †	115 VAC	USB	10 lb	\$3,200.00
69772 †	230 VAC		10 lb	\$3,050.00
120090 †	230 VAC	USB	10 lb	\$3,200.00
69774 ††	230 VAC		10 lb	\$3,050.00
120096 ††	230 VAC	USB	10 lb	\$3,200.00
<b>No A/D Channel</b>				
77790 †	115 VAC		10 lb	\$2,750.00
120100 †	115 VAC	USB	10 lb	\$2,900.00
77791 ††	230 VAC		10 lb	\$2,750.00
120104 ††	230 VAC	USB	10 lb	\$2,900.00

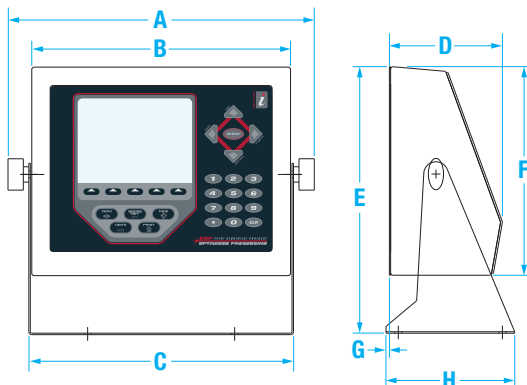
\*DC/DC converter installed option, not UL approved



† US plug (NA) - Type B



†† Euro Plug - Type E



## Dimensions

920i Universal					
A	12.50 in (318 mm)	D	4.61 in (117 mm)	G	0.14 in (3.5 mm)
B	10.56 in (268 mm)	E	10.87 in (276 mm)	H	5.25 in (206 mm)
C	10.90 in (277 mm)	F	8.50 in (216 mm)		

## 920i Deep Universal Part Number/Price

Part #	Description	USB	Est. Weight	Price
<b>Single-Channel</b>				
82455 †	115 VAC		12 lb	\$3,200.00
115004 †	115 VAC	USB	12 lb	\$3,300.00
82457 †	230 VAC		12 lb	\$3,200.00
120064 †	230 VAC	USB	12 lb	\$3,300.00
82459 ††	230 VAC		12 lb	\$3,200.00
120075 ††	230 VAC	USB	12 lb	\$3,300.00
107714 *	12 to 24 VDC, 25 watt		12 lb	\$3,300.00
120081 *	12 to 24 VDC, 25 watt	USB	12 lb	\$3,400.00
<b>Dual-Channel</b>				
82456 †	115 VAC		12 lb	\$3,300.00
120087 †	115 VAC	USB	12 lb	\$3,400.00
82458 †	230 VAC		12 lb	\$3,300.00
120092 †	230 VAC	USB	12 lb	\$3,400.00
82460 ††	230 VAC		12 lb	\$3,300.00
120097 ††	230 VAC	USB	12 lb	\$3,400.00
<b>No A/D Channel</b>				
93243 †	115 VAC		12 lb	\$3,000.00
120101 †	115 VAC	USB	12 lb	\$3,100.00
93244 ††	230 VAC		12 lb	\$3,000.00
120105 ††	230 VAC	USB	12 lb	\$3,100.00

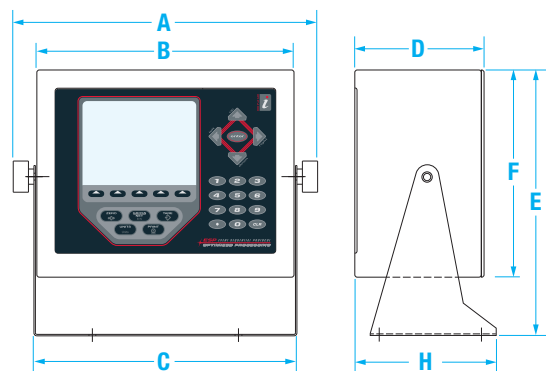
\*DC/DC converter installed option, not UL approved



† US plug (NA) - Type B



†† Euro Plug - Type E



## Dimensions

920i Deep Universal					
A	12.50 in (318 mm)	D	5.36 in (136 mm)	F	8.50 in (216 mm)
B	10.76 in (273 mm)	E	10.87 in (276 mm)	H	5.88 in (149 mm)
C	10.90 in (277 mm)				

# 920i® Series

Programmable Weight Indicator and Controller



INDICATORS / CONTROLLERS

## 920i Wall Mount Part Number/Price

Part #	Description	USB	Est. Weight	Price
<b>Single-Channel</b>				
69763 †	115 VAC		23 lb	\$3,725.00
115005 †	115 VAC	USB	23 lb	\$3,825.00
69765 †	230 VAC		23 lb	\$3,725.00
120066 †	230 VAC	USB	23 lb	\$3,825.00
72133 ††	230 VAC		23 lb	\$3,725.00
120078 ††	230 VAC	USB	23 lb	\$3,825.00
107715*	12-24 VDC, 25 watt		23 lb	\$3,825.00
120082*	12-24 VDC, 25 watt	USB	23 lb	\$3,950.00
<b>Dual-Channel</b>				
69770 †	115 VAC		23 lb	\$3,825.00
120088 †	115 VAC	USB	23 lb	\$3,950.00
69776 †	230 VAC		23 lb	\$3,825.00
120093 †	230 VAC	USB	23 lb	\$3,950.00
72134 ††	230 VAC		23 lb	\$3,825.00
120098 ††	230 VAC	USB	23 lb	\$3,950.00
<b>No A/D Channel</b>				
77794 †	115 VAC		23 lb	\$3,550.00
120102 †	115 VAC	USB	23 lb	\$3,650.00
77795 ††	230 VAC		23 lb	\$3,550.00
120106 ††	230 VAC	USB	23 lb	\$3,650.00
153346	115 VAC with start/stop switches		23 lb	\$3,850.00

## 920i Panel Mount Part Number/Price

Part #	Description	USB	Est. Weight	Price
<b>Single-Channel</b>				
69764 †	115 VAC		9 lb	\$2,950.00
115006 †	115 VAC	USB	9 lb	\$3,050.00
69766 †	230 VAC		9 lb	\$2,950.00
120069 †	230 VAC	USB	9 lb	\$3,050.00
72137 ††	230 VAC		9 lb	\$2,950.00
120079 ††	230 VAC	USB	9 lb	\$3,050.00
107716*	12-24 VDC, 25 watt		9 lb	\$3,050.00
120083*	12-24 VDC, 25 watt	USB	9 lb	\$3,200.00
<b>Dual-Channel</b>				
69771 †	115 VAC		9 lb	\$3,050.00
120089 †	115 VAC	USB	9 lb	\$3,200.00
69777 †	230 VAC		9 lb	\$3,050.00
120095 †	230 VAC	USB	9 lb	\$3,200.00
72138 ††	230 VAC		9 lb	\$3,050.00
120099 ††	230 VAC	USB	9 lb	\$3,200.00
<b>No A/D Channel</b>				
77792 †	115 VAC		9 lb	\$2,750.00
120103 †	115 VAC	USB	9 lb	\$2,900.00
77793 ††	230 VAC		9 lb	\$2,750.00
120107 ††	230 VAC	USB	9 lb	\$2,900.00

\*DC/DC converter installed option, not UL approved

\*DC/DC converter installed option, not UL approved



† US plug (NA) - Type B



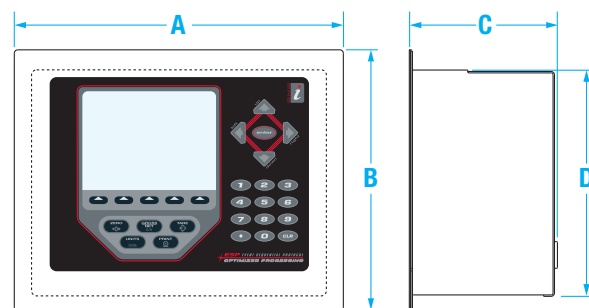
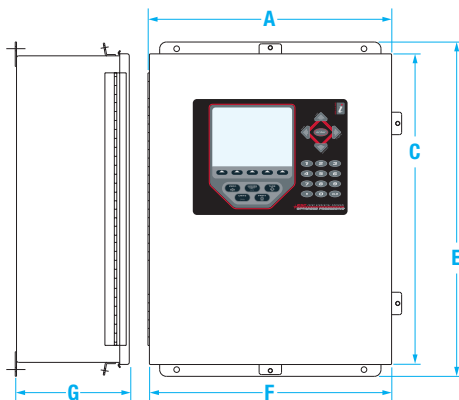
†† Euro Plug - Type E



† US plug (NA) - Type B



†† Euro Plug - Type E



## Dimensions

920i Wall Mount			
A	14.30 in (363 mm)	D	18.84 in (479 mm)
B	11.00 in (279 mm)	E	19.63 in (499 mm)
C	18.20 in (462 mm)	F	14.30 in (363 mm)
		G	6.75 in (171 mm)

## Dimensions

920i Panel Mount			
A	11.56 in (294 mm)	C	5.20 in (132 mm)
B	9.16 in (233 mm)	D	7.95 in (202 mm)

# 920i® Series

Programmable Weight Indicator and Controller

To have your option factory installed, please specify when placing your order.

## Options/Accessories

Part #	Description	Price
<b>Option Cards</b>		
68532	A/D, single-channel	\$325.00
68533	A/D, dual-channel	\$475.00
67600	Memory, 1 MB NV RAM	\$300.00
67601	Digital I/O, 24-channel TTL output	\$300.00
67602	Analog output: selectable 0-10 V, 0-20 mA	\$325.00
103138	Analog output, dual-channel 0-10 V, 0-20 mA	\$550.00
67604	Serial port card, dual-channel, RS-232 and RS-485	\$350.00
87697	Analog input +/-10 VDC, 0-20 mA and thermocouple	\$625.00
<b>Network Cards</b>		
65383	Ethernet thin server (external)	\$385.00
71986	Ethernet TCP/IP 10/100 module (internal)	\$455.00
206271	Wireless LAN module 802.11 b/g	\$670.00
87803	EtherNet/IP® interface	\$895.00
68539	Remote I/O interface	\$720.00
68540	Profibus® DP interface	\$720.00
187816	Profinet® I/O interface	\$895.00
68541	DeviceNet™ interface	\$720.00
103136	ControlNet® interface	\$1,080.00
<b>Expansion Cards</b>		
69782	Two-slot expansion board (wall mount)	\$315.00
71743	Two-slot expansion board (panel mount and deep universal)	\$315.00
180047	Two-slot expansion board (panel mount, DC powered)	\$315.00
179488	Two-slot expansion board (wall mount DC powered)	\$315.00
69783	Six-slot expansion board (wall mount)	\$420.00
<b>Hardware</b>		
83569	Clear protective overlay (package of 5)	\$79.00
70056	Cable, DB9M to DB9F, Straight Cable	\$40.00
99149	Keyboard, QWERTY 109-key USB, flexible, washable	\$135.00
77788	Fiber optic board, installed in 920i	\$220.00
92777	Filter, PreVent™ vent kit PG 7 cord grip	\$32.00
19368	Start/stop controls without box, for use on wall mount	\$475.00
19369	Start/stop switch with FRP box	\$475.00
93359	Keyboard, QWERTY PS/2 connector	\$95.00
<b>Manuals and Software</b>		
69781	iRev™ scale software	\$100.00
72809	Interchange® database software	\$295.00
67887	Additional installation manual	\$35.00
67888	Additional programming reference	\$35.00

## Primary Component Parts

Part #	Description	Price
<b>Boards</b>		
186272***	CPU board assembly for LED backlight, (blue color)	\$1,495.00
186273***	Display board, LED back light, transmissive	\$345.00
186274***	Display board, LED back light, transreflective	\$345.00
206696***	Display kit (186273) and retrofit cable (207045)	\$355.00
<b>Power Supply</b>		
67613	AC power supply, 25 watt for universal	\$195.00
71333	AC power supply, 65 watt for deep, panel and wall mount	\$225.00
132791	Power supply 12 to 24 VDC, 25 watt	\$235.00
<b>Membrane</b>		
66502	Switch panel membrane	\$85.00

\*\*\*Design change in 2018 to LED backlight display. CCFL backlight displays are no longer available.

The LED backlight display can be used with green CPU board Rev N or older by replacing the power supply cable, see Tech Bulletin PN 189640 for compatibility details. There is a generic retrofit PN 207045 for the existing power supply cable or a new power supply cable can be installed. Universal 186464 (AC) 186464 (DC); Deep universal 186278 (AC) 187603 (DC); Panel 186278 (AC) 187603 (DC); Wall 186760 (AC) 188345 (DC); Two-slot expansion for wall 188716 (AC) 189424 (DC); Two-slot expansion panel for deep universal 188717 (AC) 189425 (DC); Six-slot expansion for wall 188774 (AC).

## Miscellaneous Parts

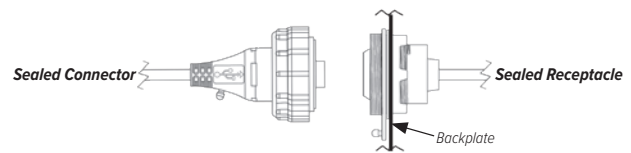
Part #	Description	Price
<b>Cables for Digital I/O</b>		
70780	50-Pin flat ribbon, 24 in	\$50.00
93577	50-Pin flat ribbon, 31 in	\$75.00
94384	50-Pin flat ribbon, 50 in	\$83.00
70779	50-Pin round ribbon with cord grip, 60 in	\$155.00
72442	50-Pin round ribbon without cord grip, 60 in	\$150.00

## Cables and Receptacles

Part #	Connector Type	Length	Price
<b>USB Cables (Connector is a male plug)</b>			
79074	A UNSEALED B UNSEALED	2m	\$35.00
124700	A SEALED B SEALED	3m	\$90.00
126477	A SEALED A UNSEALED	3m	\$90.00
124701	A SEALED B UNSEALED	3m	\$90.00
124702	B SEALED A UNSEALED	3m	\$90.00
<b>USB Receptacles (Receptacle is a socket)</b>			
126476*	A SEALED A UNSEALED	0.5 m	\$90.00
124703*	A SEALED B UNSEALED	0.5 m	\$90.00
124704*	B SEALED B UNSEALED	0.5 m	\$90.00
125998*	A SEALED FIVE-PIN Internal to 920i	0.28 m	\$90.00
125999*	B SEALED FIVE-PIN Internal to 920i	0.28 m	\$90.00
<b>Ethernet Cables</b>			
124706	RJ-45 SEALED RJ-45 SEALED	3m	\$90.00
124707	RJ-45 SEALED RJ-45 UNSEALED	2m	\$90.00
<b>Ethernet Receptacles (Receptacle is a socket)</b>			
176789*	RJ-45 SEALED	0.75 m	\$105.00
172734*	RJ-45 SEALED	0.5 m	\$90.00
126353*	RJ-45 SEALED	0.28 m	\$90.00
<b>Cable and Receptacle Accessories</b>			
124695	Panel plug 1.125 in diameter		\$6.00
124694	Cover for sealed receptacles		\$13.00
124689	Cover for flash driver mounts on sealed receptacle		\$25.00
195607	USB Flash Drive 8GB		\$9.00

\*These options require a milled back plate

### Unsealed Connectors





# 1280 Enterprise™ Series

Programmable Color Touchscreen Weight Indicator and Controller



## Approvals



## Standard Features

- Customizable color touchscreen with graphical user interface
- User-defined softkeys, icons and graphics
- Tactile keypad for scale operations, numeric entry and navigation
- On-screen keyboard available during entry mode (or external keyboard)
- Built-in web server for remote access, systems integration and data monitoring
- Multi-language operation and text entry
- Supports eight scales within five different kinds:
  - Analog load cell, multi-range/interval weighing
  - Total scale summing
  - Serial input scales
  - iQUBE<sup>2</sup> scales
  - Program scales
- Six smart card slots for additional scale channels, serial ports, digital inputs and outputs, analog outputs and protocol interfaces
- iRite™ Programming Software
  - Five built-in applications: Truck in/out, recipe storage, filling/dosing, counting, checkweighing
  - Customizable user programs with event-based functions
  - 150 built-in functions for common processes & data tables
  - Customize and transfer data via email, FTP server and networked printers
  - Display data with line charts or bar graphs
  - iRite reporting of iQUBE<sup>2</sup> alerts
- Email, USB, Ethernet TCP/IP, Wi-Fi Direct®, two serial ports RS-232 or RS-485
- Alibi memory captures serial port transmissions
- Four configurable data-stream formats for PC, printers and remote displays
- 100 setpoints, 18 configurable setpoint types
- Eight digital I/O for control and pulse count
- Three different enclosure types: universal with tilt stand, panel mount and wall mount

## Specifications

### Power:

AC voltages: 100 to 240 VAC; 50/60 Hz  
DC voltages: 11 to 30 VDC

### Power Consumption:

60W

### Excitation Voltage:

10 VDC (+/- 5 VDC)  
16 × 350 ohm or 32 × 700 ohm load cells per A/D card

### Analog Signal Input Range:

-60 mV to 60 mV

### Analog Signal Sensitivity:

0.3 µV/graduation minimum at 7.5 Hz to 120 Hz  
1.0 µV/graduation recommended

### A/D Sample Rate:

7.5 to 960 Hz, software selectable

### Resolution:

Internal: 8,000,000 counts  
Display: 1,000,000

### System Linearity

± 0.01% full scale

### Digital I/O:

Eight I/O channels on CPU board  
Optional 24-channel I/O expansion boards

### Communication Ports:

Port 1 & 2: Full duplex RS-232 with CTS/RTS, RS-422/485  
Baud rate: 1200 to 115200  
Port 3: USB 2.0 Device (Micro)  
USB host: (2) Type A connectors max 500 mA  
Ethernet: Wired 10/100 Auto-MDX  
Ethernet: Wireless 802.11 b/g/n 2.4GHz

### Onboard:

Selectable filters: Three stage, Adaptive or Damping  
Embedded Linux® OS  
8 GB eMMC (system use)  
1 GB DDR3 RAM  
460 MB onboard database (SQLite) storage  
Up to 32 GB micro SD card (sold separately)

### Display:

Seven-inch, 800 × 480 pixel, 500 or 1,000 NIT  
Twelve-inch, 1280 × 800 pixel, 1,500 NIT

### Keys/Buttons:

22-key membrane panel, tactile buttons, on-screen keyboard for text and numeric entry, USB port for flash drive, keyboard and printer

### Temperature Range:

Certified: 14 °F to 104 °F (-10 °C to 40 °C)  
Operating: -4 °F to 131 °F (-20 °C to 55 °C)

### Rating/Material:

Universal: IP69K  
Wall Mount: IP66  
Panel Mount: IP69K, NEMA Type 4X and 12  
Stainless steel 304 enclosure

### Weight:

Universal enclosure: 11 lb (4.9 kg)  
Panel mount enclosure: 8 lb (3.6 kg)  
Wall mount enclosure: 23 lb (10.4 kg)  
Panel mount 7 in touch-only: 7 lb (3.1 kg)  
Panel mount 12 in touch-only: 10 lb (4.5 kg)

### Warranty:

Two-year limited

### EMC Immunity:

10 V/m

### Approvals:

NTEP 15-001/Class III/IIIL 10,000d  
Measurement Canada AM-5980C,  
Class III/III HD 10,000d  
OIML R76/2006-A-NL1-19.23 Class III/IIIL 10,000d  
EU Test Certificate TC8596  
cULus Listed (Universal, Wall Mount)  
cULus Recognized (Panel Mount)  
CE Marked

INDICATORS /  
CONTROLLERS

# 1280 Enterprise™ Series

Programmable Color Touchscreen Weight Indicator and Controller



7-inch model with keypad



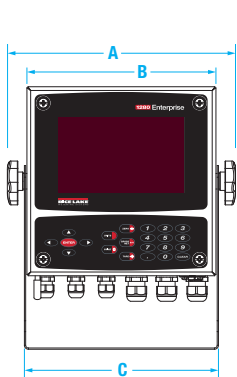
7-inch touch-only model



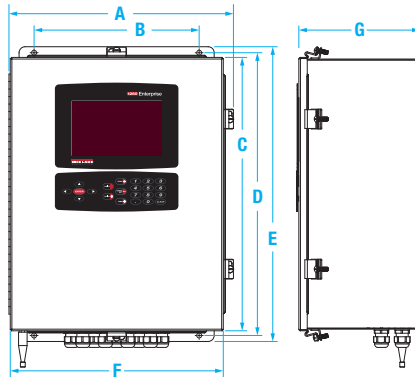
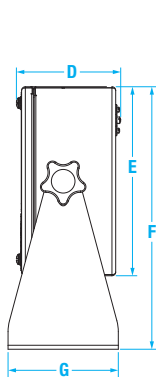
12-inch touch-only model

INDICATORS / CONTROLLERS

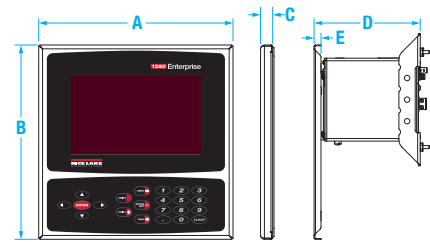
## Numeric Keypad Models:



1280-2



1280-3



1280-4

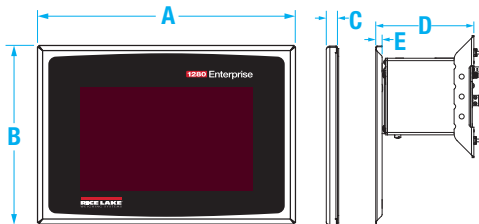
## Dimensions

Universal (1280-2)			
A	10.86 in (276 mm)	E	9.00 in (229 mm)
B	9.00 in (229 mm)	F	12.50 in (318 mm)
C	9.24 in (235 mm)	G	5.25 in (133 mm)
D	4.97 in (126 mm)		

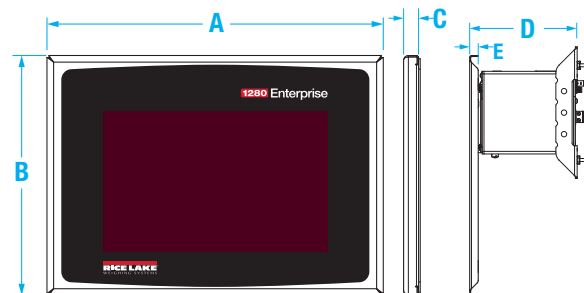
Wall Mount (1280-3)			
A	14.92 in (379 mm)	E	19.64 in (499 mm)
B	11.00 in (279 mm)	F	14.20 in (361 mm)
C	18.22 in (463 mm)	G	8.08 in (205 mm)
D	18.84 in (479 mm)		

Panel Mount (1280-4)			
A	9.00 in (229 mm)	D	5.34 in (136 mm)
B	9.00 in (229 mm)	E	0.32 in (8 mm)
C	0.58 in (15 mm)		

## Touch-only Models:



1280-5



1280-6

## Dimensions

7-inch Touch-only (1280-5)			
A	9.00 in (229 mm)	D	5.34 in (136 mm)
B	6.22 in (158 mm)	E	0.32 in (8 mm)
C	0.58 in (15 mm)		

12-inch Touch-only (1280-6)			
A	14.00 in (356 mm)	D	5.34 in (136 mm)
B	10.00 in (254 mm)	E	0.32 in (8 mm)
C	0.58 in (15 mm)		



# 1280 Enterprise™ Series

Programmable Color Touchscreen Weight Indicator and Controller

INDICATORS / CONTROLLERS

## Part Number/Price

Part #	Description	Power	Display	Option Installed	Price
<b>Universal Enclosure with 500 NIT Display (1280-2)</b>					
171427 †	1280 Universal	115 VAC	500 NIT	Single Scale Card	\$3,550.00
171441 ††	1280 Universal	100-240 VAC	500 NIT	Single Scale Card	\$3,550.00
171662 †	1280 Universal	115 VAC	500 NIT	Dual Scale Card	\$3,750.00
172188 ††	1280 Universal	100-240 VAC	500 NIT	Dual Scale Card	\$3,850.00
<b>Panel Mount Enclosure with 500 NIT Display (1280-4)</b>					
171663	1280 Panel Mount	100-240 VAC	500 NIT	Single Scale Card	\$3,425.00
172186	1280 Panel Mount	100-240 VAC	500 NIT	Dual Scale Card	\$3,650.00
<b>Wall Mount Enclosure with 500 NIT Display (1280-3)</b>					
173673 †	1280 Wall Mount	115 VAC	500 NIT	Single Scale Card	\$3,950.00
174143 ††	1280 Wall Mount	100-240 VAC	500 NIT	Single Scale Card	\$3,950.00
174144 †	1280 Wall Mount	115 VAC	500 NIT	Dual Scale Card	\$4,250.00
174145 ††	1280 Wall Mount	100-240 VAC	500 NIT	Dual Scale Card	\$4,250.00
<b>Wall Mount Enclosure with 1000 NIT Display (1280-3)</b>					
172184 †	1280 Wall Mount	115 VAC	1,000 NIT	Single Scale Card	\$4,050.00
172185 ††	1280 Wall Mount	100-240 VAC	1,000 NIT	Single Scale Card	\$4,050.00
206563 †	1280 Wall Mount	115 VAC	1,000 NIT	Dual Scale Card	\$4,250.00
172187 ††	1280 Wall Mount	100-240 VAC	1,000 NIT	Dual Scale Card	\$4,350.00
<b>Touch-only 7 inch with 500 NIT Display (1280-5)</b>					
186618	1280 Touch-only 7 in	100-240 VAC	500 NIT	Single Scale Card	\$3,450.00
<b>Touch-only 12 inch with 1500 NIT Display (1280-6)</b>					
186465	1280 Touch-only 12 in	100-240 VAC	1,500 NIT	Single Scale Card	\$4,075.00



† US plug (NA) - Type B



†† Euro Plug - Type E



(Brazil) - Type N



††† BS1363 (UK) - Type G



†††† AS 3112 (Australian) - Type I

## Model Reference Chart

Choose any options to best fit your application and we customize

ENCLOSURE TYPE	POWER TYPE	DISPLAY TYPE	CORD TYPE	OPTION CARDS <small>ALL SLOTS MUST BE FILLED</small>
<ol style="list-style-type: none"> <li>Universal (1280-2)</li> <li>Panel (1280-4)</li> <li>Wall (1280-3)</li> <li>Touch-only Panel 7 in (1280-5)</li> <li>Touch-only Panel 12 in (1280-6)</li> </ol>	<ol style="list-style-type: none"> <li>AC</li> <li>DC</li> </ol>	<ol style="list-style-type: none"> <li>500NIT 7 in Universal</li> <li>1000NIT 7 in Universal</li> <li>500NIT 7 in Panel/Wall</li> <li>1000NIT 7 in Panel/Wall</li> <li>1500NIT 12 in Panel</li> </ol>	<ol style="list-style-type: none"> <li>US Plug Universal</li> <li>Brazil Plug Universal</li> <li>Euro Plug Universal</li> <li>US Plug Wall</li> <li>Euro Plug Wall</li> <li>Brazil Plug Wall</li> <li>UK Plug Universal</li> <li>AU/NZ Plug Universal</li> <li>UK Plug Wall</li> <li>AU/NZ Plug Wall</li> </ol>	<ol style="list-style-type: none"> <li>Blank <i>If no option, controller will need 6 blanks</i></li> <li>Single A/D Scale</li> <li>Dual A/D Scale</li> <li>24 Channel Digital I/O</li> <li>Dual Serial Channel</li> <li>4-dry Contact Relay</li> <li>Single Analog Out</li> <li>Dual Analog Out</li> <li>Analog Input</li> <li>EtherNet/IP</li> <li>DeviceNet</li> <li>ProfiNet</li> <li>Modbus TCP</li> <li>Profibus DP</li> <li>EtherCat</li> <li>PowerLink</li> </ol>

# 1280 Enterprise™ Series

Programmable Color Touchscreen Weight Indicator and Controller

INDICATORS / CONTROLLERS

## Single A/D Scale



**Excitation Voltage:**  
10 VDC bi-polar, 4 or 6 wire sensing  
16 × 350 ohms per channel

**Analog Input Signal:**  
-10 to +40 mV

Part #	Description	Price
220026	Single scale A/D	\$475.00
166957	A/D sealing kit	\$13.00

## Dual A/D Scale



**Excitation Voltage:**  
10 VDC bi-polar, 4 or 6 wire sensing  
8 × 350 ohms per channel

**Analog Input Signal:**  
-10 to +40 mV

Part #	Description	Price
220027	Dual scale A/D	\$675.00
166957	A/D sealing kit	\$13.00

## Digital I/O



24 channels, configurable as inputs or outputs  
Inputs: 5 VDC max, active low; Outputs: 20 mA max per channel, active low; 5 VDC source available: 500 mA max

Part #	Description	Price
164684*	Digital I/O	\$350.00
170008	DIO adapter, includes 60 pin flat ribbon cable, 24 in	\$130.00
170009	DIO adapter, includes 60 pin round cable, 60 in	\$155.00
170736	DIO adapter, includes 60 pin cable and cord grip, 60 in	\$155.00

\* 24 I/O ribbon cable required.

## Dual Serial Channel



Two-channel, full duplex RS-232 with CTS/RTS, RS-485 or RS-422, 1200-115200 baud

Part #	Description	Price
164685	Dual serial channel	\$425.00

## Single Analog Out



16 bit, voltage output 0-10 VDC, current output 0-20mA, 4-20mA

Part #	Description	Price
165366	Single analog out	\$375.00

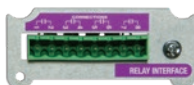
## Dual Analog Out



16 bit, voltage output 0-10 VDC, current output 0-20mA, 4-20mA

Part #	Description	Price
164686	Dual analog out	\$550.00

## Relay Card



Relay four-dry contact, max current 3A @ 30 VDC, 3A @250VAC

Part #	Description	Price
164689	Relay card	\$425.00

## Analog Input



**Analog Input Signal:**  
±10VDC, ±100mV, 0-20 mA

Part #	Description	Price
164687	Dual analog input	\$650.00

## Data Exchange with PLC/DCS Systems

### EtherNet/IP



Part #	Description	Price
165792	EtherNet/IP, single port	\$620.00
208129	EtherNet/IP, dual port	\$805.00

### DeviceNet



Part #	Description	Price
165793	DeviceNet	\$620.00

### Profinet



Part #	Description	Price
165794	Profinet	\$620.00

### Modbus TCP



Part #	Description	Price
165796	Modbus TCP	\$620.00

### Profibus DP



Part #	Description	Price
165795	Profibus DP	\$620.00

### EtherCAT



Part #	Description	Price
179533	EtherCAT	\$620.00

### PowerLink



Part #	Description	Price
182319	PowerLink	\$905.00

# 1280 Enterprise™ Series

Programmable Color Touchscreen Weight Indicator and Controller

## Options/Accessories

To have your option factory installed, please specify when placing your order.

Part #	Description	Price
<b>Manuals and Software</b>		
167659	Manual, Technical	\$35.00
72809	Interchange database software	\$295.00
164939	8 GB Micro SD card with SD and USB adapter	\$25.00
195607	USB flash drive, 1 GB	\$9.00
<b>Extended Display Cable Length for Touch Only Models</b>		
182600	Display cable for 7 in (500 NIT) touch-only, 5 ft length	\$130.00
182601	Display cable for 7 in (500 NIT) touch-only, 10 ft length	\$160.00
187489	Display cable for 7 in (1,000 NIT) touch-only, 10 ft length	\$160.00
180027	Display cable for 12 in touch-only, 5 ft length	\$160.00
180028	Display cable for 12 in touch-only, 10 ft length	\$160.00
<b>Extended Touch Cable Length for Touch Only Models</b>		
180744	Touch cable for touch-only, 5 ft length	\$105.00
180745	Touch cable for touch-only, 10 ft length	\$105.00

## Primary Component Parts

Part #	Description	Price
<b>Displays</b>		
163400	7 in 500 NIT display	\$350.00
163399	7 in 1,000 NIT display	\$450.00
182992	12 in 1,500 NIT display	\$995.00
<b>Boards</b>		
179992	CPU board assembly includes face plate and fan plate	\$1,100.00
199157	Controller box, CPU, power supply, backplane	\$1,500.00
<b>Power Supplies</b>		
202512	AC power supply board	\$180.00
202514	DC power supply board	\$180.00
<b>Overlays</b>		
164121	Keypad, for panel & wall mount	\$75.00
164120	Touchscreen, for panel & wall mount	\$130.00
161731	Keypad, for universal	\$75.00
161730	Touchscreen, for universal	\$130.00
178498	Touchscreen, for 7 in touch-only panel mount	\$295.00
176126	Touchscreen, for 12 in touch-only panel mount	\$400.00
178161	Clear protective overlay display for 7 in display (pack of 5)	\$63.00
178163	Clear protective overlay keypad for 7 in display (pack of 5)	\$63.00

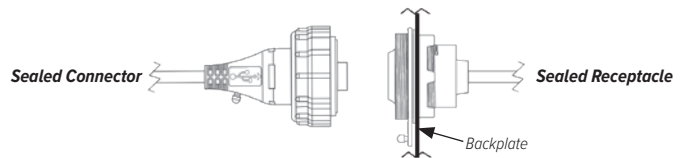
## Cables and Receptacles

To have your option factory installed, please specify when placing your order.

Part #	Connector Type	Length	Price
<b>USB Cables (Connector is a male plug)</b>			
79074	A UNSEALED B UNSEALED	2 m	\$35.00
124700	A SEALED B SEALED	3 m	\$90.00
126477	A SEALED A UNSEALED	3 m	\$90.00
124701	A SEALED B UNSEALED	3 m	\$90.00
124702	B SEALED A UNSEALED	3 m	\$90.00
152434	A UNSEALED Micro A UNSEALED	2 m	\$55.00
<b>USB Receptacles (Receptacle is a socket)</b>			
176790 Panel Mount	A SEALED A UNSEALED	0.75 m	\$105.00
126476 Wall Mount	A SEALED A UNSEALED	0.5 m	\$90.00
172735 Universal	A SEALED A UNSEALED	0.25 m	\$90.00
<b>Ethernet Cables</b>			
72697	RJ-45 UNSEALED RJ-45 UNSEALED	2 m	\$40.00
124706	RJ-45 SEALED RJ-45 SEALED	3 m	\$90.00
124707	RJ-45 SEALED RJ-45 UNSEALED	2 m	\$90.00
<b>Ethernet Receptacles (Receptacle is a socket)</b>			
176789	RJ-45 SEALED	0.75 m	\$105.00
172734	RJ-45 SEALED	0.5 m	\$90.00
126353	RJ-45 SEALED	0.25 m	\$90.00
<b>Cable and Receptacle Accessories</b>			
124694	Cover for sealed receptacles		\$13.00
124689	Cover for flash driver mounts on sealed receptacle		\$25.00

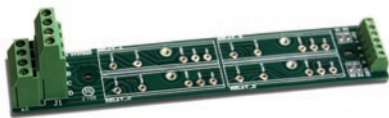
INDICATORS / CONTROLLERS

### Unsealed Connectors



# Relays and Racks

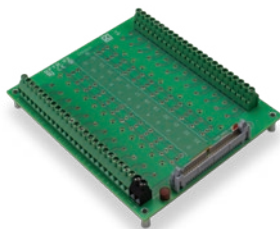
Input/Output Components



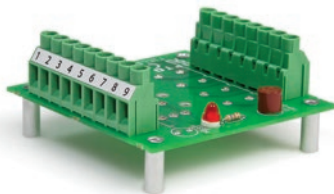
PN 45408  
(6.10 × 1.20in)



PN 33206  
(10.00 × 3.25 × 2.32in)



PN 33205  
(7.50 × 6.25 × 2.32in)

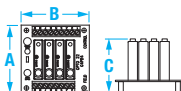


PN 15973  
(3.25 × 3.25 × 2.32in)

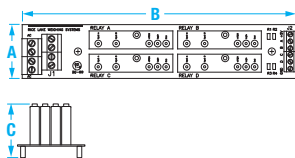
INDICATORS /  
CONTROLLERS

## Relay Racks

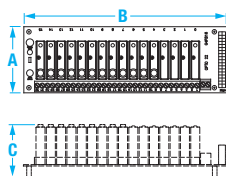
OPTO 22 4-Channel		
15973	Four-channel relay rack	\$125.00
Dimensions		
A	B	C
3.25 in (83 mm)	3.25 in (83 mm)	2.32 in (59 mm)



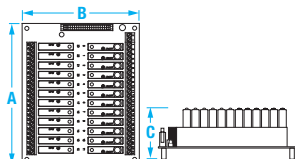
OPTO 22 4-Channel		
45408	Four-channel relay rack (non UL)	\$160.00
Dimensions		
A	B	C
1.20 in (30 mm)	6.11 in (155 mm)	2.32 in (59 mm)



OPTO 22 16-Channel		
33206	16-channel relay rack, ribbon cable connection	\$395.00
Dimensions		
A	B	C
3.25 in (83 mm)	10.0 in (254 mm)	2.32 in (59 mm)



OPTO 22 24-Channel		
33205	24-channel relay rack, ribbon cable connection	\$372.00
Dimensions		
A	B	C
7.50 in (83 mm)	6.25 in (83 mm)	2.32 in (59 mm)



## Part Number/Price

Part #	Description	Price
Input/Output Component		
43942	Allen-Bradley® multi-function relay with digital display	\$575.00
29616	Dayton multi-function relay	\$325.00
Other Relays		
15952	Eight-pin octal relay, AC/DC output, 10 A, 120VAC coil	\$57.00
15960	Eight-pin octal relay, AC/DC output, 10 A, 6 VDC coil	\$30.00
15961	Eight-pin octal socket	\$21.00
70780	Cable, 50-pin flat ribbon for digital I/O, 24 in	\$50.00
70779	Cable, 50-pin round ribbon for digital I/O with cord grip, 60 in	\$155.00
72442	Cable, 50-pin round ribbon for digital I/O without cord grip, 60 in	\$150.00
93577	Cable, 50-Pin flat ribbon for digital I/O, 31 in	\$75.00
94384	Cable, 50-Pin flat ribbon for digital I/O, 50 in	\$83.00

## Relays

Part #	Voltage	Description	Price
OPTO 22 1-Channel Input Relay			
15972	90-140 VAC	G4IAC5-L (N/O), yellow	\$50.00
36631	180-280 VAC/ VDC	G4IAC5A (N/O), yellow	\$52.00
15969	10-32 VDC	G4IDC5 (N/O), white	\$50.00
OPTO 22 2-Channel Output Relay			
15971	115 VAC	G4OAC5 (N/O), black	\$50.00
22847	115/230 VAC	G4OAC5A5 (N/C), black	\$67.00
36632	115/230 VAC	G4OAC5A (N/O), black	\$52.00
15970	100 VDC	G4ODC5R, (N/O) dry contact, red	\$50.00
121345	60 VDC	G4ODC5, (N/O), red	\$50.00
22848	100 VDC	G4ODC5R5, (N/C) dry contact, red	\$77.00
Relay Boards Fixed Dry Contact Relay			
30549	2-channel 120-240 VAC or 30 VDC/5A		\$175.00
15959	4-channel 120-240 VAC or 30 VDC/5A		\$305.00
29615	Board, relay mounting 1-channel (requires DIN rail for mounting (non UL)		\$105.00
33207	Board, relay mounting 8-channel		\$200.00

## Miscellaneous Parts

Part #	Description	Price
Cables for Digital I/O		
70780	50-Pin flat ribbon, 24 in	\$50.00
93577	50-Pin flat ribbon, 31 in	\$75.00
94384	50-Pin flat ribbon, 50 in	\$83.00
70779	50-Pin round ribbon with cord grip, 60 in	\$155.00
72442	50-Pin round ribbon without cord grip, 60 in	\$150.00
170008	60-pin flat ribbon with 50-pin adapter, 24 in	\$130.00
170009	60-pin round with 50-pin adapter, 60 in	\$155.00
170736	60-pin round with 50-pin adapter and cord grip, 60 in	\$155.00
Opto 22 Misc.		
26834	Fuse, 1A 250V (for PN 15970 and PN 22848)	\$7.50
21735	Fuse, 4A 250V (for PN 15971, PN 22847 and PN 36632)	\$14.00
16478	Quencharc arc suppressor	\$11.00
101923	FRP enclosure with Opto four-channel rack	\$495.00
99032	Adapter plate, for four-channel Opto rack 33490	\$5.25
155253	Board assembly, DWM IV, eight-channel, Opto 22 G4 series compatible, (non UL)	\$215.00



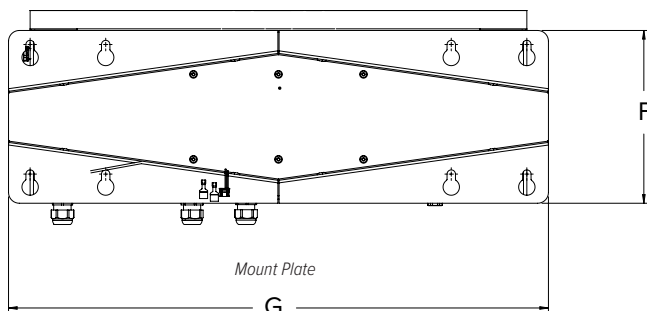
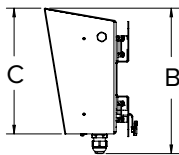
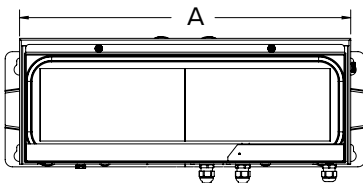
### Approvals



Measurement  
Canada  
Approved

### Dimensions

LaserLight3			
A	23.00 in (584 mm)	E	5.00 in (127 mm)
B	10.10 in (256 mm)	F	8.00 in (203 mm)
C	8.73 in (222 mm)	G	25.02 in (636 mm)
D	5.87 in (149 mm)		



### Standard Features

- Available with 128 × 32-pixel color display
- Displays six high-intensity digits up to 5 in height
- Adjustable daylight/night intensity
- Mirror mode (reverse image) function
- Durable weather tight enclosure with flip-down door
- Flat-wall mounted or add VESA or offset mount

### Options

- Wireless LAN, Wi-Fi interface 802.11 a/b
- Wireless interface, pair of ConnexLink™ radios and mount
- Pole mount kit, VESA flat wall for 2 to 6 inch pole (W × H) 200 × 100 mm, 6 fasteners (M4 × 8 mm)
- Sunshade visor, 8-inch painted steel

### Specifications

#### Power:

AC voltages: 100 to 240VAC; 50/60Hz  
120 watt (120 VAC)

#### Output Interface:

Ethernet TCP/IP, independently configurable echo port

#### Input Data Format:

Baud rate: 1200, 2400, 4800, 9600, 19200, 38400, 57600 and 115200 self-learning or configurable

#### Update:

Continuous or out-of-motion modes  
Message interrupt mode

#### Digital I/O:

Four I/O read or set  
5V logic

#### Communication Ports:

Ethernet TCP/IP, RS-232, RS-485, 20 mA  
Optional ConnexLink™ wireless radio, WLAN interface 802.11 a/b

#### Character Format:

7 or 8 data bits; even, odd, or no parity;  
1 or 2 stop bits

#### Maximum Viewing Distance:

4-inch character: 100 ft (30 m)  
5-inch character: 150 ft (46 m)

#### Viewing Angle:

160°

#### Display:

Bright, outdoor color LED lamps  
128- × 32-pixel, 4 mm pitch  
Decimal or comma indication  
Weight display with units and mode  
Message display 1, 2 or 4 lines

#### Keys/Buttons:

Zero, Gross/Net, Tare, Units, Print, Menu

#### Time:

Software enable, 12 or 24 hour format

#### Date:

Software enable, US or ISO format

#### Dimensions:

(L × W × H)  
25 × 10 × 6 in

#### Temperature Range:

Operating: -40 °F to 120 °F (-40 °C to 49 °C)

#### Rating/Material:

IP66  
Mild steel, powder-coated

#### Weight:

20 lb  
(9 kg)

#### Warranty:

Two-year limited

#### Approvals:

NTEP CC 22-096  
Measurement Canada AM-6210C



# LaserLight3™

Color Large-Display Weight Indicator

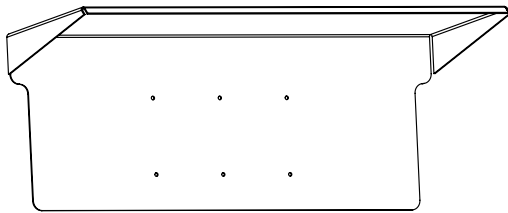
## Part Number/Price

Part #	Description	Est. Weight	Price
205780	LaserLight3 large-display weight indicator	20lb	\$2,495.00

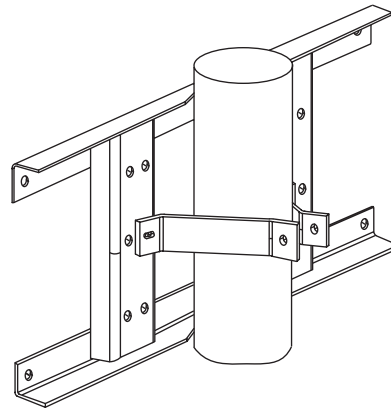
## Options/Accessories

Part #	Description	Price
212745	Pole mount kit, VESA flat-wall, 200 mm W x 100 mm H, 6 fasteners (M4 x 8 mm) for 2-6 inch pole	\$100.00
75856	Pole mount kit, 4-inch flange style (24-inch wide frame use with 4-8 inch dia. pole)	\$280.00
208807	Sunshade, 8-inch	\$135.00
209118	Wireless LAN, RS-232/Wi-Fi interface 802.11 a/b XPico module	\$250.00
212753	Wireless interface, pair of ConnexLink radios transceiver kit and mount	\$835.00

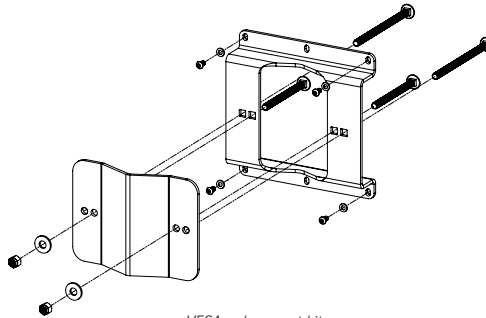
INDICATORS /  
CONTROLLERS



Sunshade  
PN 208807



Flange pole mount kit  
PN 75856



VESA pole mount kit  
PN 212745



# LaserLT-60 and LaserLT-100

Large-Display Digital Weight Indicators



LaserLT-60



LaserLT-100

## Approvals



Measurement  
Canada  
Approved



## Part Number/Price

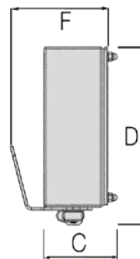
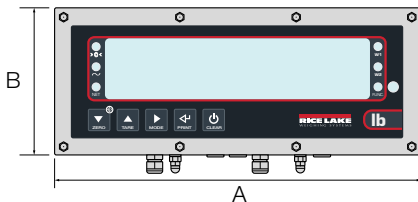
Part #	Description	Price
197453	LaserLT-60, indicator with weighing functionality 2.4 in (60 mm) LED	\$1,380.00
197454	LaserLT-100, indicator with weighing functionality 4.0 in (100 mm) LED	\$1,765.00

## Options/Accessories

Part #	Description	Price
185256	Mount bracket, 2 tilting side brackets for LaserLT-100	\$65.00
185258	Visor for LaserLT-100	\$165.00

## Dimensions

Large Display Digital Weight Indicator			
LaserLT-60			
A	16.14 in (410 mm)	D	7.28 in (185 mm)
B	6.50 in (165 mm)	E	2.64 in (67 mm)
C	3.03 in (77 mm)	F	4.84 in (123 mm)
LaserLT-100			
A	16.93 in (430 mm)	D	7.63 in (194 mm)
B	7.28 in (185 mm)	E	2.52 in (64 mm)
C	2.52 in (64 mm)	F	3.98 in (101 mm)



## Standard Features

- LED Display
- Integrated five-key waterproof keypad
- Includes removable back wall mount bracket
- Power from 12 to 24 VDC, included with 110 to 240 VAC internal power supply
- Up to four independent scales or four load cell inputs
- Quick menu for real and theoretical calibration
- Up to three calibration linearization points
- Semi-automatic and presettable tare
- Two digital outputs for 13 setpoint types with timers to enable on and delay period
- Two digital inputs for operating keys remotely

## Specifications

### Power:

AC voltages: 100 to 240 VAC  
DC voltages: 12 to 24 VDC

### Excitation Voltage:

5 VDC, 120 mA, 16 × 350 ohm

### Analog Signal Input Range:

± 39 mV

### Analog Signal Sensitivity:

0.03 µV/graduation minimum  
0.3 µV/graduation recommended

### A/D Sample Rate:

Four channel A/D up to 200 Conv./sec. auto select

### Resolution:

Internal: 1,500,000 counts  
Display: 800,000

### Digital I/O:

Two inputs: 12/24 VDC  
Two outputs: 150 mA 48 VAC / 150 mA 60 VDC

### Communication Ports:

(1) RS-232, (1) RS-485

### Display:

6-digit, 7-segment discrete red LED lamps, single width 2.4 in (60 mm) or 4 in (100 mm) digit  
Decimal/comma indication in any position  
Annunciators for NT, Stability, COZ  
5 levels of intensity

### Maximum Viewing Distance:

LaserLT-60: 2.4 in digit 75 ft (25 m)  
LaserLT-100: 4 in digit 100 ft (30 m)

### Keys/Buttons:

Five key, Zero (Down), Tare (Up), Mode (Right), Print (Enter), C (On/Off)

### Temperature:

-40° F to 120° F (-40° C to 49° C)

### Rating/Material:

304 stainless steel, IP68

### Weight:

10 lb (4.5 kg)

### Warranty:

One-year limited

### Approvals:

NTEP CC 20-046 III/IIIL 10,000d  
Measurement Canada AM-6165C III/IIIL 10,000d  
CE Marked

INDICATORS /  
CONTROLLERS

# 920i® User Programs



## Standard Features

- Pre-programmed software to carry out specific weighing functions
- Utilize Rice Lake's iRite™ programming language
- For use with all Rice Lake 920i models (hardware requirements may apply)
- Available pre-installed with purchase of new equipment, or via iRev™ for installation on existing 920i models
- Fully customizable

INDICATORS /  
CONTROLLERS

## Part Number/Price

Part #	Description	Price
153146	Short axle weighing program	\$595.00
SZ99999	Truck in/out with report	\$73.00
77297	Truck in/out with products/customers/trucks and reports	\$520.00
156886	Grain program with shrink calculation	\$395.00
156959	Dual kiosk truck in/out single scale	\$1,050.00

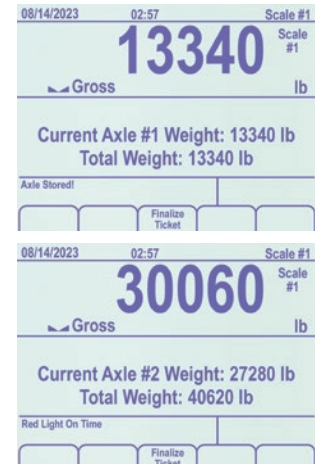
## Short Axle Weighing Program

PN 153146:

920i custom program will interface to a short axle scale and direct each axle across the scale using traffic lights.

### Suggested Hardware:

- PN 67527 920 single channel A/D
- PN 23113 Epson TM-U295 ticket printer
- PN 101923 FRP box with 4 channel relay rack, for traffic light control
- PN 23146 Traffic light kit
- PN 15971 AC output relays for above (2 needed)
- PN 103181 LaserLight remote display (optional)
- PN 167093 LaserLight 2 remote display (optional)



## Grain Program with Shrink Calculator

PN 156886:

This custom application for the 920i supports weighing trucks of grain. Up to 200 grain types, associated divisors and accumulator can be stored. Up to 500 accounts and 1,000 trucks can be stored.

### Suggested Hardware:

- PN 67527 920 single channel A/D
- PN 67600 1M memory card
- PN 23113 Epson TM-U295 ticket printer
- PN 93359 PS2 keyboard



## Truck In/Out with Products/ Customers/Trucks and Reports

PN 77297:

This program supports truck in/out weighing program for manual truck transactions using Rice Lake Weighing Systems' 920i digital weight indicator. Stored IDs allow you to keep a database of truck IDs, customer, product, project information and weigh-in weights in the indicator's memory. Parameters are accessed by simply scrolling through the Supervisor main menu using the down arrow on the 920i. The 920i can automatically store up to 100 truck IDs and tare weights, 950 customers, 1,000 products and 1,000 projects.

### Suggested Hardware:

- PN 67527 920 single channel A/D
- PN 67600 1MB memory card
- PN 23113 Epson TM-U295 ticket printer
- PN 93359 PS/2 keyboard



08/14/2023 15:60 Scale #1

1	ID	058
2	Name	Omni
3	Address 1	230 W. Coleman St.
4	Address 2	Rice Lake, WI
5	Address 3	54868 USA
6	Phone	800-472-6703
7	Accum	23490020.00
8		

Customer Found

Exit to Weigh Clear Total Save Delete Record Menu/Cancel

---

08/14/2023 15:45 Scale #1

PT 00 Gross lb Scale #1

Truck	058	
Customer	1	Omni
Product	45	Gravel 45
Project	30	Project 30

Gross	Tare	Net
10000	5000	8780

Canel Customer Product Project Complete

08/14/2023 15:49 Scale #1

1220 Gross lb Scale #1

Truck	058	
Customer	1	Omni
Product	45	Gravel 45
Project	30	Project 30

Gross	Tare	Net
10000	5000	8780

Canel Customer Product Project Complete

---

08/14/2023 15:40 Scale #1

- 0 - 00 Gross lb Scale #1

Truck		
Customer		
Product		
Project		

Gross	Tare	Net

RLWS 920i PN\_77297 V 1.01.01

Weigh Weigh In Weigh Out Scale Select Supervisor Mode

INDICATORS / CONTROLLERS

## Dual Kiosk Truck In/Out Single Scale

PN 156959:

System consists of a bidirectional single platform truck scale, inbound truck kiosk and outbound truck kiosk. Inbound (if two outbound kiosks are used) and outbound tickets with transaction storage of each weighment.

### Suggested Hardware:

- (2) PN 119687 Inbound/Outbound kiosk
- PN 119689 A/D kiosk option



09/15/2023 03:02PM SCALE #1

25640 Scale #1

Gross lb

Outbound 920i

Photo Eye Photo Eye

Inbound Complete - Exit Scale

Communication OK

Reprint

09/15/2023 03:03PM SCALE #1

78560 Scale #1

Gross lb

Outbound 920i

Photo Eye Photo Eye

Outbound Complete - Exit Scale

Communication OK

Reprint

## Truck In/Out with Report

PN SZ99999:

920i program allows trucks to weigh in and out (saves inbound weight after weighing out and has value swapping) and stores the transaction after each weigh out with truck ID, gross, tare and net. Transactions may be printed or cleared at any time through the Setup menu. An HID scanner is available as a peripheral piece of hardware.

### Suggested Hardware:

- PN 119687 Outbound kiosk
- PN 119689 A/D kiosk option
- PN 119743 HID kiosk option



09/15/2023 03:03PM SCALE #1

23240 Scale #1

Gross lb

Weigh In Complete - Exit Scale

Weighed In

Weigh In Weigh Out Truck Register Setup Menu

09/15/2023 03:06PM SCALE #1

82020 Scale #1

Gross lb

SZ99999 Single Kiosk 1.06

←Back Store Tare YES Exit

# 920i® FlexWeigh Systems

Fillers/Batchers

INDICATORS /  
CONTROLLERS



**Manufacturer-Approved**  
DIRECT REPLACEMENT FOR FLEXWEIGH'S DWM-IV

Approvals



## Standard Features

- Wall mount stainless steel enclosure
- Front panel switches E-Stop, Reset/Resume, Start
- Softkeys for presets, CN#, ID#, formula#, totals
- Accumulating subtotal & total registers
- Transmitted audit trail
- Digital I/O board
- Relay rack and SSR relay outputs

Standard Switches	101	102	103	104	201	202
E-Stop mushroom	X	X	X	X	X	X
Reset/resume	X	X	X	X	X	X
Start	X	X	X	X	X	X
Discharge	-	X	-	-	-	X

Standard Outputs	101	102	103	104	201	202
Fast fill**	X	X	X	X	X	X
Slow fill***	X	X	X	X	X	X
Fill complete*	OPT	OPT	X	X	OPT	OPT
Zero tolerance	OPT	OPT	-	-	OPT	OPT
Discharge	-	X	-	-	-	X
Refill	-	-	X	-	-	-
Refill complete	-	-	OPT	-	-	-
Slow cycle	-	-	OPT	X	-	-

\* Dispense for 103 and 104

\*\* Fast Fill Ingredient 1 201/202

\*\*\* Fast Fill Ingredient 2 201/202

920i Flexweigh systems are designed for 120VAC line voltage. If the application requires 220VAC or DC control voltage, please consult with sales before placing an order.

## 101 Basic Filler

Place an empty container on the scale. Automatically fill the container to a preset weight. Remove the container from the scale. Replace it on the scale with an empty container and repeat the process.

## 102 Automatic Fill, Automatic Discharge

Place an empty container under the scale. Automatically fill the scale to a preset weight. Discharge the scale into the container. Remove the container from under the scale. Replace it under the scale with another empty container and repeat the process.

## 103 Loss-In-Weight Filler

Dispense preset net weight quantities from the scale until either low level or less-than-preset gross weight is achieved. Then refill to high level.

## 104 Loss-In-Weight Filler

Product supply containers are placed on the scale. Net weight quantities are dispensed from the containers until empty. When containers empty in the middle of a dispense cycle, the cycle is paused and allowed to resume where it left off when the empty containers are replaced on the scale with filled ones.

## 201 Four Ingredient Dual Speed or Eight Ingredient Single Speed Batcher

Place empty container on scale, automatically fill multiple ingredients in a sequential order to preset formula weights. Remove the container, replace with empty and repeat.

## 202 Four Ingredient Dual Speed or Eight Ingredient Single Speed With Discharge

Fill tank or hopper with multiple ingredients in a sequential order then empty into a vessel below.



## Part Number/Price

Part #	Description	Est. Weight	Price
120320	920i FlexWeigh Systems 101	23lb	\$4,375.00
199060	920i FlexWeigh Systems 101, includes manual/auto and jog switches	23lb	\$4,675.00
120321	920i FlexWeigh Systems 102	23lb	\$4,575.00
199061	920i FlexWeigh Systems 102, includes manual/auto and jog switches	23lb	\$4,875.00
120322	920i FlexWeigh Systems 103	23lb	\$4,525.00
120323	920i FlexWeigh Systems 104	23lb	\$4,375.00
207904	920i FlexWeigh Systems 201	23lb	\$4,575.00
207905	920i FlexWeigh Systems 202	23lb	\$4,775.00

## Options/Accessories

Part #	Description	Price
120491	920i FlexWeigh Systems 101 manual	\$25.00
120493	920i FlexWeigh Systems 102 manual	\$25.00
124473	920i FlexWeigh Systems 103 manual	\$25.00
120496	920i FlexWeigh Systems 104 manual	\$25.00
152146	920i FlexWeigh Systems 201/202 manual	\$25.00

To have your option factory installed, please specify when placing your order.

## Optional Switches (Installed Price: \$150.00)

	Switch Part #	Legend Part #	101	102	103, 104	201	202
Selector 3 position	94296						
Manual/ Off/ Auto		121035	X	X	X	X	X
Manual Ingredient Select						X	X
Push-button	94276						
Fill		121036	X	X		X	X
Discharge		121037		X			X
Dispense		121038			X		
Refill		121039			X		
Maintained/Off/Spring Return	94299						
Fill On/-/Jog		121040	X	X		X	X
Fill Fast/-/Slow		121041	X	X		X	X
Discharge On/-/Jog		121043		X			X
Discharge Fast/-/Slow		121044		X			X
Dispense On/-/Jog		121046			X		
Dispense Fast/-/Slow		121048			X		
Refill On/-/Jog		121049			X		
Manual Feed		—				X	X

## Optional Front Panel Lights (Installed Price: \$150.00)

	Lamp	Legend	101, 102	103	104	201	202
Ready	94289 Green	121051	X			X	X
Fill Complete	94290 Red	121052	X			X	X
Filling	98760 Amber	121053	X				
Filling Fast	98760 Amber	121054	X				
Filling Slow	98760 Amber	121055	X				
Discharging	94292 Blue	121056	X			X	X
Discharging Fast	94292 Blue	121057	X				
Discharging Slow	94292 Blue	121058	X				
Dispensing	98760 Amber	121059		X	X		
Dispensing Fast	98760 Amber	121060		X	X		
Dispensing Slow	98760 Amber	121061		X	X		
Dispensing Complete	94290 Red	121062		X	X		
Refilling	94292 Blue	121063		X			
Refill Complete	94290 Red	121064		X			
Low Supply	94290 Red	121065		X			
Fill Time Alarm	94290 Red	121066		X	X		
Feeding (1-4)	98760 Amber	—				X	X
Slow Cycle	94290 Red	—	X	X	X		

# 920i® FlexWeigh Systems

Bulkweighers and Flip Flop Fillers

INDICATORS / CONTROLLERS



## Approvals



Available with models 107, 108 and 109

**Manufacturer-Approved**  
DIRECT REPLACEMENT FOR FLEXWEIGH'S DWM-IV

## Standard Features

- Wall mount stainless steel enclosure
- Application program 107, 108, 109
- Front panel switches E-Stop, Start/Resume, End Cycle, Ship/Recv (only 109)
- Softkeys for presets, ID1 and ID2
- Accumulating weight streaming
- Fill and discharge sequence controls
- Fill and discharge gate monitoring
- Printer online checking
- Weigh and surge hopper overflow monitoring
- Transmitted audit trail
- Digital I/O board
- Relay rack and SSR relay outputs

## Options

- Pilot lights for error indication
- Manual override switches

Standard Switches	107	108	109
E-Stop mushroom	X	X	X
Start/Resume	X	X	X
End cycle	X	X	X
Ship/Recv	-	-	X

Standard Inputs	107	108	109
Fill gate closed	X	X	X
Discharge gate closed	X	X	X
Surge hopper not full	X	X	X
Weigh hopper not full	X	X	X
Printer online	X	X	X

Standard Outputs	107	108	109
Slow cycle alarm	OPT	OPT	OPT
Gate alarm	OPT	OPT	OPT
Scale over fill alarm	OPT	OPT	OPT
Lower surge alarm	OPT	OPT	OPT
Printer alarm	OPT	OPT	OPT
Open fill gate	X	X	X
Open discharge gate	X	X	X

## Part Number/Price

Part #	Description	Est. Weight	Price
207906	920i FlexWeigh Systems 107	23 lb	\$5,875.00
207907	920i FlexWeigh Systems 108	23 lb	\$5,875.00
207908	920i FlexWeigh Systems 109	23 lb	\$6,175.00
207909	920i FlexWeigh Systems 111	23 lb	\$5,575.00
207910	920i FlexWeigh Systems 112	23 lb	\$5,925.00

## 107 Shipping Bulkweigher

The 920i FlexWeigh 107 is designed for basic shipping-mode bulkweighing applications. In shipping mode, a scale is loaded and discharged repetitively until the accumulated weight meets the overall target value.

## 108 Receiving Bulkweigher

The 920i FlexWeigh 108 is designed for basic receiving mode bulkweighing applications. In receiving mode, a scale is loaded and discharged until there is no more product to receive. To end the cycle, the End Cycle button is pressed.

## 109 Ship/Receive Bulkweigher

The 920i FlexWeigh 109 allows the user to select which mode of operation to use. This is done with a three-position locking key switch.

## 111 Flip Flop Filler

The 920i FlexWeigh 111 is designed for filling two scales to a target weight in sequential "flip-flop" fashion. As one scale is filled, operators can prep the second scale, e.g., moving a container into place.

## 112 Flip Flop Filler with Discharge

The 920i FlexWeigh 112 is designed for filling two scales to a target weight in sequential "flip-flop" fashion. As one scale is filled, the second scale is discharged via independent or manual methods.

## Options/Accessories

Part #	Description	Price
151848	920i FlexWeigh Systems 107/108/109 manual	\$25.00

*To have your option factory installed, please specify when placing your order.*

## Optional Switches

Installed Price: \$150.00

Type	107	108	109
Manual/Off/Auto	X	X	X
Man Fill On/-/Jog		X	X
Man Disch On/-/Jog		X	X



# 920i® FlexWeigh Systems

Flow Rate Controllers



## Standard Features

- Wall mount stainless steel enclosure
- Application program 105, 106
- Front panel switches E-Stop, Reset/Resume, Start
- Softkeys for presets, CN#, ID#, formula#, totals
- Accumulating subtotal & total registers
- Transmitted audit trail
- Digital I/O board
- Relay rack and SSR relay outputs

## 105 Basic Flow-Rate Controller

Dispense preset net weight quantities at preset flow rate values.

## 106 Loss-In-Weight with Flow-Rate Control and Automatic Refill

Dispense preset net weigh quantities at preset flow rate values with automatic refill when gross weight drops below threshold.

## Standard Switches/Outputs

Standard Switches	105	106
E-Stop mushroom	X	X
Reset/Resume	X	X
Start	X	X

Outputs	105	106
Fast fill	X	-
Slow fill	X	-
Fill complete*	X	-
Zero tolerance	Opt	-
Discharge	X	X
Refill	-	X
Refill complete	-	Opt
Slow cycle	Opt	Opt

\* Dispense for 105 and 106

Approvals



**Manufacturer-Approved**  
DIRECT REPLACEMENT FOR FLEXWEIGH'S DWM-IV

## Part Number/Price

Part #	Description	Est. Weight	Price
Consult	920i FlexWeigh Systems 105	23 lb	\$4,850.00
Consult	920i FlexWeigh Systems 106	23 lb	\$4,850.00

## Accessories

Part #	Description	Price
Consult	920i FlexWeigh Systems 105 manual	\$73.00
Consult	920i FlexWeigh Systems 106 manual	\$73.00

INDICATORS / CONTROLLERS

# 920i® FlexWeigh Systems

Hand Batching



## Standard Features

- Stainless deep universal mount enclosure
- Softkeys for presets ID#; formulas; accumulating, subtotal and total registers
- Switch for manual confirmation
- 20 ingredient database
- 100 formula database
- Audit trail data output
- Ingredient usage totals

## 211 Manual Batching System

Prompts the user through manual weight additions based on a pre-entered formula

**Manufacturer-Approved**  
DIRECT REPLACEMENT FOR FLEXWEIGH'S DWM-IV

Approvals



## Part Number/Price

Part #	Description	Est. Weight	Price
207927	920i Flexweigh Systems 211	13 lb	\$3,400.00

# MSI-8000HD

Digital Weight Indicator/Remote Display



INDICATORS /  
CONTROLLERS

Approvals



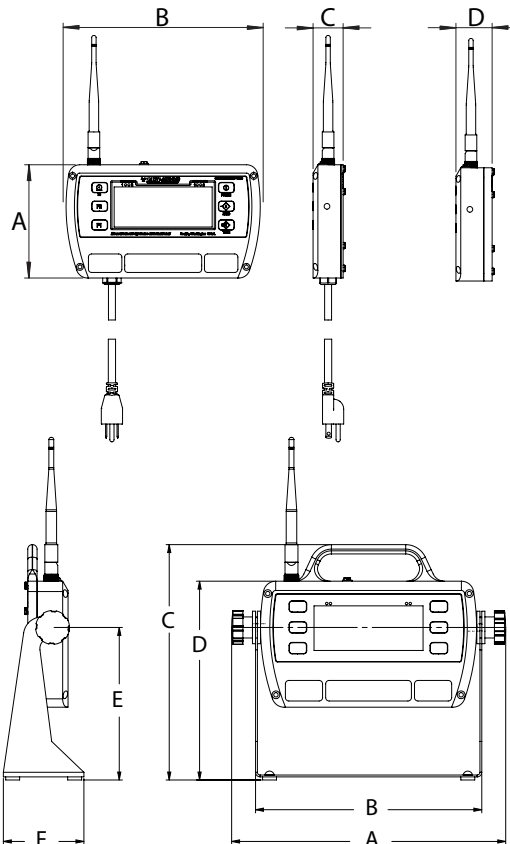
## Standard Features

- Compatible with all ScaleCore™-based products including: MSI-7300 Dyna-Link 2, MSI-3460 Challenger 3, MSI-4260 Port-A-Weigh, MSI-7000 and MSI-7001 TranSend™, MSI-9600HT and MSI-6360
- LCD display
- IP68 milled aluminum enclosure
- Time and date
- Membrane keypad for remote-control functionality
- User-definable function keys for added versatility
- Swivel tilt stand

## Dimensions

MSI-8000HD	
A	5.09 in (129 mm)
B	8.98 in (228 mm)
C	1.35 in (34 mm)
D	1.63 in (41 mm)

With Tilt Stand	
A	11.06 in (281 mm)
B	9.13 in (232 mm)
C	9.50 in (241 mm)
D	8.02 in (204 mm)
E	6.16 in (156 mm)
F	3.25 in (83 mm)



## Options

(Contact MSI for application consultation)

- Up to 8 configurable relay outputs
- Wi-Fi communications
- 802.15.4 Serial RF
- FHSS
- Wired Ethernet

## Specifications

### Power:

90-267 VAC, 9-36 VDC, 18-72 VDC, 120-300 VDC  
Optional battery power module available

### Excitation Voltage:

4.8V current limited and over-voltage protected

### RF Remote Channels:

Up to four remote sensors, monitored individually, in pairs or sum all (non-A/D version only)

### Service Counters:

A/D version only

### A/D Inputs:

Two independent or summing load cell inputs

### Filtering:

Off, Low, Hi-1, Hi-2

### RF Radio Link:

2.4 GHz 802.15.4

Compatible with all ScaleCore™ based products including: MSI-7300 Dyna-Link 2, MSI-3460 Challenger 3, MSI-4260 Port-A-Weigh, MSI-7000 and MSI-7001

### RF Effective Range:

Typically 100 to 300 ft, line of sight; for longer range consult factory

### Communication Ports:

Dual RS-232 communication ports

### Optional Communications:

Wi-Fi

Serial RF (Single Sequence or FHSS)

### Annunciators:

Stable, COZ, peak, kg, kN, lb, M, ton, setpoint, function LEDs

Channels: 1, 2, 3, 4, TTL

### Display:

Six-digit 1.0 in (26.4 mm) LCD

### Units Displayed:

Pounds, kilograms, tons, metric tons, kilonewtons

### Keys/Buttons:

On/Off, Zero (100%), Tare, Print, and Two user-defined keys for the following functions: peak hold, high resolution, total, view total, net/gross, units switching

### Rating/Material:

Enclosure: NEMA Type 4, IP68 milled anodized aluminum with O-ring gaskets

### Temperature Range:

Operating: -4 °F to 140 °F (-20 °C to 60 °C)

Certified: 14 °F to 104 °F (-10 °C to 40 °C)

### Warranty:

One-year limited

### Approvals:

NTEP CC 15-110 (-10 °C to 40 °C)

# MSI-8000HD

Digital Weight Indicator/Remote Display

## Part Number/Price

Part #	Description	Est. Weight	Price
153591	MSI-8000HD ScaleCore RF/Remote Display/85 to 265 VAC	5 lb (2.5 kg)	\$1,541.00
154853	MSI-8000HD ScaleCore RF/Remote Display/Internal Battery	5 lb (2.5 kg)	\$1,670.00
160476	MSI-8000HD ScaleCore RF/Remote Display/7 to 36 VDC	5 lb (2.5 kg)	\$1,485.00
159377	MSI-8000HD ScaleCore RF/Remote Display/18 to 72 VDC	5 lb (2.5 kg)	\$1,520.00
159376	MSI-8000HD ScaleCore RF/Remote Display/9 to 36 VDC	5 lb (2.5 kg)	\$1,520.00
158427	MSI-8000HD Meter/2 A/D Inputs/85 to 265 VAC (non RF)	5 lb (2.5 kg)	\$1,875.00
158428	MSI-8000HD Meter/2 A/D Inputs/Internal Battery (non RF)	5 lb (2.5 kg)	\$1,990.00
160478	MSI-8000HD Meter/2 A/D Inputs/7 to 36 VDC (non RF)	5 lb (2.5 kg)	\$1,670.00
159381	MSI-8000HD Meter/2 A/D Inputs/18 to 72 VDC (non RF)	5 lb (2.5 kg)	\$1,710.00
159380	MSI-8000HD Meter/2 A/D Inputs/9 to 36 VDC (non RF)	5 lb (2.5 kg)	\$1,710.00
158425	MSI-8000HD RF Meter/2 A/D Inputs/85 to 265 VAC	5 lb (2.5 kg)	\$1,895.00
158426	MSI-8000HD RF Meter/2 A/D Inputs/Internal Battery	5 lb (2.5 kg)	\$2,065.00
160477	MSI-8000HD RF Meter/2 A/D Inputs/7 to 36 VDC	5 lb (2.5 kg)	\$1,895.00
159379	MSI-8000HD RF Meter/2 A/D Inputs/18 to 72 VDC	5 lb (2.5 kg)	\$1,905.00
159378	MSI-8000HD RF Meter/2 A/D Inputs/9 to 36 VDC	5 lb (2.5 kg)	\$1,905.00
176958	MSI-8000HD Wi-Fi Meter/85/265 VAC	5 lb (2.5 kg)	\$1,575.00
176960	MSI-8000HD Wi-Fi Meter/Internal Battery	5 lb (2.5 kg)	\$1,710.00
176964	MSI-8000HD Wi-Fi Meter/7 to 36 VDC	5 lb (2.5 kg)	\$1,520.00
176966	MSI-8000HD Wi-Fi Meter/9 to 36 VDC	5 lb (2.5 kg)	\$1,560.00
176968	MSI-8000HD Wi-Fi Meter/18 to 72 VDC	5 lb (2.5 kg)	\$1,560.00

INDICATORS /  
CONTROLLERS

## Options/Accessories

Part #	Description	Price
155173	MSI-8000HD spare tilt stand option kit	\$90.00
155193	MSI-8000HD Ethernet TCP/IP option kit wired	\$430.00
162178	Antenna extension kit, 6ft	\$490.00
148624	MSI-8000HD serial RS-232 cable	\$140.00
158779	MSI-8000HD two each coil relay option kit, 250 VAC/30 VDC 5A or 100 VDC 0.4A	\$375.00
158780	MSI-8000HD two each solid state relay option kit, 60 Vpk 2.7A	\$375.00
158781	MSI-8000HD two each solid state relay option kit, 200 Vpk 0.9A	\$375.00
149549	Universal 115/230 VAC 50/60 Hz (NA plug standard) battery charger for MSI-8000HD battery powered device	\$165.00
149550	Universal 115/230 VAC 50/60 Hz (international plugs) battery charger for MSI-8000HD battery powered device	\$160.00
171203	Audible alarm kit	\$375.00
176963	Serial print cable	\$165.00
<b>Relays</b>		
172490	Expanded relay kit, Four-Channel, 12A 5V, Latching relays	Consult
172492	Expanded relay kit, Four-Channel, 12A 5V, Momentary relays	Consult
Consult	Expanded relay kit, Four-Channel, 0.9A 200Vpk, AC/DC Solid State relays	Consult
172495	Expanded relay kit, Eight-Channel, 12A 5V, Momentary relays	Consult
172500	Expanded relay option kit, Four-Channel, 3A, 60Vpk Solid State Form C relays	Consult
172501	Expanded relay option kit, Eight-Channel, 3A 60Vpk, Solid State Form C relays	Consult
172502	Expanded relay option kit, Eight-Channel, 0.9A 200Vpk, Solid State Form C relays	Consult
171676	Expanded relay option kit, Eight-Channel, 12A 5V, Latching relays	Consult

# MSI-8004HD

Indicator/RF LED Remote Display

INDICATORS /  
CONTROLLERS



## Approvals



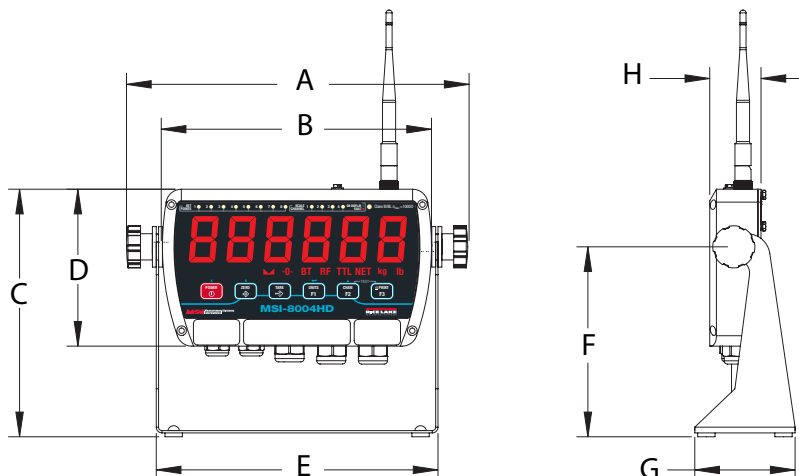
Measurement  
Canada  
Approved

## Part Number/Price

Part #	Description	Price
<b>Indicator</b>		
196904	4CH AC, Red/Green Instant Power-On, 85~264VAC, 47~440 Hz, 120~370 VDC	\$2,400.00
178265	4CH AC, Red/Green 85~264 VAC, 47~440 Hz, 120~370 VDC	\$2,170.00
178269	4CH DC 8-32V, Red/Green Best for external 12 V SLA Batteries	\$2,205.00
178271	4CH DC 9-36V Iso, Red/Green Do not use on 12 V Vehicle Systems	\$2,310.00
183481	4CH 5 V Red/Green with external rechargeable battery	\$2,185.00
<b>Remote Display</b>		
178281	AC, Red/Green 85~264 VAC, 47~440 Hz, 120~370 VDC	\$2,120.00
178283	DC, 8-32V, Red/Green Best for external 12 V SLA Battery	\$2,075.00
178285	DC, 9-36V Iso, Red/Green Do not use on 12 V Vehicle Systems	\$2,160.00
183479	4CH 5 V Red/Green with external rechargeable battery	\$1,875.00

## Dimensions

MSI-8004HD			
With Tilt Stand			
A	11.10 in (282 mm)	E	9.13 in (232 mm)
B	8.76 in (223 mm)	F	6.16 in (156 mm)
C	8.02 in (204 mm)	G	3.25 in (83 mm)
D	5.09 in (129 mm)	H	1.66 in (42 mm)



## Standard Features

- LED display
- IP65 rugged milled aluminum enclosure
- Backlit membrane keypad for user functioning and controls
- Tilt bracket included
- Color changing display (via setpoints)

## Options

(Contact MSI for application consultation)

- Expanded relay outputs
- Battery pack for mobile operation
- Second radio module for additional network connectivity

## Specifications

### Power:

90 to 267 VAC, 9 to 36 VDC, 18 to 72 VDC, 120 to 300 VDC

### Excitation Voltage:

4.8 V current limited and over-voltage protected

### Functions:

Peak hold, high resolution, total, view total net/gross, units switching

### Units:

Pounds and kilograms

### Channels:

1, 2, 3, 4, TTL

### RF Remote Channels:

Up to 4 remote sensors monitored individually, in pairs or sum all (non-A/D version only) (when used with TranSend™)

### Service Counters:

A/D version only

### A/D Inputs:

Four independent or summing load cell inputs

### Relays:

Two 5 V coil, 250 VAC, 5 A relays

### Filtering:

Off, Low, Hi-1, Hi-2

### RF Radio Link:

2.4 GHz 802.15.4, optional second channel for Serial RF, 802.11 Wi-Fi

### RF Effective Range:

Typically 100 to 300 ft, line of sight; for longer range consult factory

### Communication Ports

Two RS-232 hard wired communication ports

### Annunciators:

Stable, COZ, peak, kg, kN, lb, M, ton, setpoint, function LEDs

### Display:

Six-digit, 1.5 in (38 mm) LED display with red/green/orange coloring

### Keys/Buttons:

On/Off, Zero, Tare, Print and two user-defined keys

### Temperature Range:

Operating: -40 °F to 140 °F (-40 °C to 60 °C)  
Certified: 23 °F to 104 °F (-5 °C to 40 °C)

### Rating/Material:

NEMA Type 4, IP65 milled anodized aluminum

### Warranty:

One-year limited

### Approvals:

NTEP 17-036  
Measurement Canada AM-6068

## Options/Accessories

Part #	Description	Price
139309	Antenna kit, long range omni-directional, 9 dBi with 3 m coax intended for omni-directional mast mounting (up to 2" dia). Beam-width. Must be mounted vertically.	\$510.00
139310	Antenna kit, corner reflector, 9 dBi with 3 m coax intended for directional wall or mast mounting (up to 2" dia). Beam-width: 75° elevation, 65° azimuth.	\$505.00
139311	Antenna kit, corner reflector, 12 dBi with 3 m coax intended for directional wall or mast mounting (up to 2" dia). Beam-width: 50° elevation, 36° azimuth.	\$535.00
139312	Antenna kit, YAGI, 15 dBi with 3 m coax highly directional wall or mast mounting (up to 2" dia). Beam-width: 30° elevation, 34° azimuth.	\$415.00
139313	Antenna kit, vehicle mount, 5 dBi with 5 m coax omni-directional. Mounts in 3/4" Hole.	\$160.00
162178	Antenna extension kit, 6 ft	\$490.00
197013	Antenna extension kit, 20 ft	\$520.00
155173	Spare kit, tilt stand	\$90.00
199105	Audible alarm not compatible with battery versions	Consult
22436	Cable, Comm DB9F 9-pPin Fem One end stripped and tinned on other end 6' Pin 2 (Brown) Pin 3 (Red) Pin 5 (Yellow) For use with MSI-8004HD serial ports to connect to: Scoreboard displays, printers, computers & other equipment that supports RS-232.	\$70.00
183437	Battery, 5V Li-ion battery with USB power ports. Output 5 V/3.0A per port (6.0 A max)Rate, 2A per port (4A if both ports are used).	\$235.00
184131	8004 option kit, WiFi with SMA antenna	\$200.00
187424	8004 option kit, 2nd Xbee with TNC antenna	\$210.00
182224	Power adapter, 12VDC 5VDC dual USB car charger plus 3ft USB cable	\$60.00
<b>Relays</b>		
172500	Expanded relays option kit, four-channel, 3A, 60VPK SSR Form C	Consult
172501	Expanded relays option kit, eight-channel, 3A 60VPK, SSR Form C	Consult
Consult	Expanded relays option kit, four-channel, 0.9A 200VPK, AC/DC SSR Form C	Consult
172502	Expanded relays option kit, eight-channel, 0.9A 200VPK, SSR Form C	Consult
172492	Expanded relays option kit, four-channel, 12A 5V, momentary	Consult
172495	Expanded relays option kit, eight-channel, 12A 5V, momentary	Consult
172490	Expanded relays option kit, four-channel, 12A 5V, latching relays	Consult
171676	Expanded relays option kit, eight-channel, 12A 5V, latching relays	Consult

INDICATORS /  
CONTROLLERS



# SCT-1100

Signal Conditioning Transmitter

INDICATORS /  
CONTROLLERS



SCT1100-AN with Analog Output



SCT-1100-AN in Plastic Enclosure

## Approvals



Measurement  
Canada  
Approved



## Standard Features

- Up to four independent scales or four load cell inputs
- Quick menu for real and theoretical calibration
- Red LED display
- DIN rail mountable
- Configurable calibration and setup parameters from keyboard
- Calibration using linearization points
- Reading of the net, gross and tare weights, clearing, semi-automatic and pre-settable tare, scale switch, setting of outputs application thresholds
- Diagnostic information via serial port, message display, printing, setting of APW in counting mode, digital input for key press
- Modbus RU or ASCII protocol
- Easy configuration with Rice Lake Tools software

## Part Number/Price

Part #	Description	Est. Weight	Price
202101	Indicator, SCT-1100-AN four load cell input with Analog Output	1 lb	\$510.00
197011	Indicator, SCT-1100-AN four load cell input with Analog Output in plastic enclosure	1 lb	\$645.00

NOTE: PN 182588 is superseded by 202101

## Options/Accessories

Part #	Description	Est. Weight	Price
188483	SCT-1000 converter RS-232/485 to Ethernet TCP/IP and Modbus TCP. Does not have an A/D	1 lb	\$400.00
88792	12VDC 1.2A DIN rail mount power supply	1 lb	\$140.00
119244	24VDC 1.3A DIN rail mount power supply	1 lb	\$160.00



SCT-1000  
Serial to Ethernet converter

## Specifications

- Power:**  
12/24 VDC
- Power Consumption:**  
70 mA min to 100 mA max
- Excitation Voltage:**  
5VDC, 120 mA, 8 × 350 ohm load cells
- Analog Signal Input Range:**  
± 39 mV
- Analog Signal Sensitivity:**  
0.3 μV/graduation minimum
- A/D Sample Rate:**  
Four channel A/D 24-bit sigma-delta conversion, up to 200 conv./sec. auto select
- Resolution:**  
Internal: 1,500,000 counts  
Display: 800,000
- Digital I/O:**  
Two inputs: 12/24 VDC  
Two outputs: 150 mA 48 VAC/150 mA 60 VDC
- Serial Ports:**  
Modbus RTU or ASCII selectable/bidirectional (both ports)  
(1) RS-485 for connection to a PC or weight repeater  
(1) RS-232 for connection to a PC or printer
- Analog Output (if equipped):**  
Opto isolated, 16-bit  
0 to 20mA, 4 to 20mA (Maximum 350 ohm)  
0 to 5 VDC, 0 to 10 VDC (Minimum 10,000 ohm)
- Annunciators:**  
Net, center of zero, stability
- Display:**  
Six-digit (10 mm), red LED
- Keys/Buttons:**  
Five key, membrane panel, tactile feel Zero (Down), Tare (Up), Mode (Right), Print (Enter), C (On/Off)
- Dimensions:**  
(L × W × H)  
4.17 × 3.54 × 2.28 in  
(106 × 90 × 58 mm)
- Temperature:**  
5 °F to 104 °F (-15 °C to 40 °C)
- Humidity:**  
85% non-condensing
- Rating/Material:**  
Enclosure: NEMA Type 4, plastic  
Clear cover: six PG9 cord grips
- Warranty:**  
One-year limited
- Approvals:**  
NTEP 20-046  
Measurement Canada AM-6165C  
OIML R76/2006-A-GB1-19.17  
UKCA Marked  
cULus Listed





SCT2200 Pictured with optional EtherNet/IP Module

### Specifications

- Power:**  
12/24 VDC
- Power Consumption:**  
70 mA min to 100 mA max
- Excitation Voltage:**  
5 VDC, 120 mA, 8 × 350 ohm load cells
- Analog Signal Input Range:**  
± 39 mV
- Analog Signal Sensitivity:**  
0.3 µV/graduation minimum
- A/D Sample Rate:**  
One channel A/D 24-bit sigma-delta conversion, up to 200 conv./sec. auto select
- Resolution:**  
Internal: 1,500,000 counts  
Display: 800,000
- Digital I/O:**  
Two inputs: 12/24 VDC  
Two outputs: 150 mA 48 VAC/150 mA 60 VDC
- Communication Ports:**  
(1) RS-485, (1) RS-232  
Analog output (if equipped):  
Opt isolated, 16-bit  
0-20 mA, 4-20 mA (Maximum 350 ohm)  
0-5 VDC, 0-10 VDC (Minimum 10,000 ohm)
- Annunciators:**  
Net, center of zero, stability
- Display:**  
Six-digit 0.31 in (8 mm), red LED
- Keys/Buttons:**  
Five key, tactile feel  
Zero (Down), Tare (Up), Mode (Right), Print (Enter), C (On/Off)
- Dimensions:**  
(L × H × D)  
4.72 × 4.52 × 0.98 in  
(120 × 115 × 25 mm)
- Temperature & Humidity:**  
Certified: 14 °F to 104 °F (-10 °C to 40 °C)  
Operating: 14 °F to 122 °F (-10 °C to 50 °C)  
Humidity: 85% non-condensing
- Rating/Material:**  
NEMA Type 1 plastic pluggable connectors
- Weight:**  
1 lb (0.5 kg)
- Warranty:**  
One-year limited
- Approvals:**  
NTEP 20-046  
Measurement Canada AM-6165C  
OIML R76/2006-A-GB1-19.17  
UKCA Marked  
cULus Listed

INDICATORS / CONTROLLERS

### Approvals



### Standard Features

- HUB mode connects up to 16 transmitters to one fieldbus
- Quick menu for real and theoretical calibration
- Remote access through web browser for weight monitoring and calibration over EtherNet/IP, Profinet and Modbus TCP network
- Red LED display
- DIN rail mountable
- Calibration using linearization points
- Reading of the net, gross and tare weights, clearing, semi-automatic and presettable tare setting of outputs application thresholds
- Diagnostic information via serial port, message display, printing, simulation of key pressure, Modbus RTU or ASCII protocol
- Two RS-485 port for "daisy-chain" network connection
- Printer management on second serial port available
- Multi-range function allows for subdividing the scale capacity in two, each up to 3,000 divisions
- Easy configuration with Rice Lake Tools software

### Part Number/Price

Part #	Description	Est. Weight	Price
<b>Transmitters</b>			
202103 *	Indicator, SCT-2200 for scale input to be used with fieldbus module	1 lb	\$355.00
202104 *	Indicator, SCT-2200-AN with analog output	1 lb	\$485.00
<b>Fieldbus</b>			
182592	Fieldbus, SCT-2200, Profinet module	1 lb	\$595.00
194343	Fieldbus, SCT-2200, Ethernet TCP/IP and Wi-Fi	1 lb	\$595.00
182593	Fieldbus, SCT-2200, Profibus module	1 lb	\$385.00
182591	Fieldbus, SCT-2200, EtherNet/IP module	1 lb	\$595.00
182596	Fieldbus, SCT-2200, DeviceNet module	1 lb	\$595.00
182598	Fieldbus, SCT-2200, EtherCAT module	1 lb	\$590.00
182597	Fieldbus, SCT-2200, CANopen module	1 lb	\$590.00
196694	Fieldbus, SCT-2200, Modbus TCP module	1 lb	\$595.00
182599	Cable with RJ45 plugs, 6 in length	1 lb	\$12.00
212772 **	Fieldbus, SCT-2200, Profibus module	1 lb	\$385.00

NOTE: PN 182587 is superseded by 202103 and PN 182589 is superseded by 202104.

**\*How to Order the SCT-2200 for use with fieldbus module**

Order 1 RJ45 cable for every Scale module connected to a Fieldbus module.

\*\* Compatible with 682 indicator

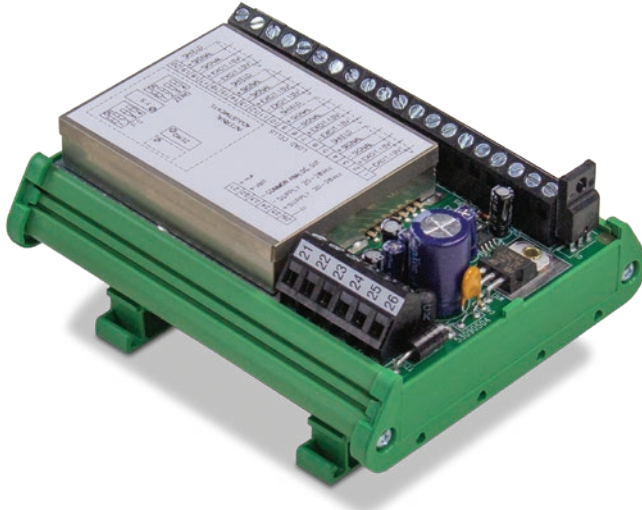
### Options/Accessories

Part #	Description	Est. Weight	Price
88792	12VDC 1.2A DIN rail mount power supply	1 lb	\$140.00
119244	24VDC 1.3A DIN rail mount power supply	1 lb	\$160.00

# SCT-3300

Signal Conditioning Transmitter

INDICATORS /  
CONTROLLERS



Approvals



## Part Number/Price

Part #	Description	Est. Weight	Price
<b>Transmitters</b>			
188725	Indicator, SCT-3300 four load cell input with Analog Output	1 lb	\$400.00

## Options/Accessories

Part #	Description	Est. Weight	Price
88792	12VDC 1.2A DIN rail mount power supply	1 lb	\$140.00
119244	24VDC 1.3A DIN rail mount power supply	1 lb	\$160.00

## Standard Features

- Powers up to six (350 ohm) load cells in parallel
- Analog amplifier and transmitter
- Analog output: 0-20 mA, 4-20 mA, 0-10 V
- Mounting on Omega/DIN rail for back panel or junction box

## Specifications

### Power:

Input: 20 to 28 VDC

### Power Consumption:

8 W

### Excitation Voltage:

10 VDC, 170 mA, 6 × 350 ohm load cells

### Analog Signal Input Range:

3.5 to 24 mV

### Analog Signal Sensitivity:

0.3  $\mu$ V/graduation minimum  
1.0  $\mu$ V/graduation recommended

### A/D Sample Rate:

300 Hz

### System linearity:

$\pm$  0.01% full scale

### Analog Output (if equipped):

Opto isolated  
0-20 mA, 4-20 mA (max 300 ohm)  
0-10 VDC (min 10,000 ohm)

### Dimensions:

(L × W × H)  
4.56 × 3.72 × 2.4 in  
(114 × 93 × 60 mm)

### Temperature & Humidity:

Operating: 14 °F to 122 °F (-10 °C to 50 °C)  
Humidity: 85% non-condensing

### Rating/Material:

DIN rail mount: NEMA Type 1

### Weight:

0.5 lb (0.2 kg)

### Warranty:

One-year limited

### Approvals:

UKCA Marked



### Specifications

- Power:**  
12 to 24 VDC, 5 W
- Power Consumption:**  
70 mA min to 100 mA max
- Excitation Voltage:**  
5V, 120 mA, 16 × 350 ohm load cells
- Analog Signal Input Range:**  
± 39 mV
- Analog Signal Sensitivity:**  
High resolution 0.01 µV/d  
Legal for trade 0.3 µV/e
- A/D Sample Rate:**  
Up to 4800 Hz
- Resolution:**  
Internal: 1,500,000 counts  
Display: 800,000  
Legal-for-trade divisions  
Up to 10,000e or multi-field 2 × 3,000e
- Digital I/O:**  
Two inputs, configurable: 12/24 VDC  
Four outputs, configurable: 150 mA 48 VAC/  
150 mA 60 VDC
- Communication Ports:**  
(1) RS-485, (1) RS-232  
1 micro-USB port (device)  
Serial port update rate: up to 1600 Hz  
Fieldbus update rate: up to 120 Hz
- Analog Output (if equipped):**  
Opto. isolated, 16-bit  
0 to 20mA, 4 to 20mA (Maximum 350 ohm)  
0 to 5 VDC, 0 to 10 VDC (Minimum 10,000 ohm)
- Annunciators:**  
Net, center of zero, stability
- Display:**  
Six-digit (8 mm), red LED
- Keys/Buttons:**  
Five key, membrane panel  
Zero (Down), Tare (Up), Mode (Right), Print (Enter),  
C (On/Off)
- Dimensions:**  
(L × W × H)  
4.72 x 0.90 x 4.00 in  
(120 x 23 x 112 mm)
- Temperature & Humidity:**  
For internal use -20°C to 60°C  
Approved -10°C to 40°C  
Humidity: 85% non-condensing
- Rating/Material:**  
Enclosure: ABS plastic
- Warranty:**  
One-year limited
- Approvals:**  
CE-M EN 45501

INDICATORS / CONTROLLERS

### Standard Features

- Load cell status diagnostics
- USB port for quick programming
- Integrated fieldbus and web server for configuration, diagnostics and data backup
- Process up to 4800 weight readings per second. The high speed allows an extremely accurate weight filtering even with weighing being performed in milliseconds.
- Up to 120 updates per second on Fieldbus.
- New power supply circuit of the load cells (up to 16) for a better weighing stability.
- Power supply circuit with protections against overloads, polarity reversal and short circuits, specific for industrial environments.
- Micro-USB communication port for configuration, diagnostics and data backup available on all versions.
- Modbus RTU protocol integrated on all versions, up to 110 updates per second.
- Real time warning of any faults or disconnections of the load cell.
- The integrated web server allows full diagnostics, calibration and remote configuration of the weight transmitter from an Ethernet network.
- Calibration via theoretical (mVV), with sample weights, Web server or XSpeed software tool

### OPTIONAL XSPED SOFTWARE

- Customization of the weighing filter, to maximize the speed and accuracy in static and dynamic applications
- Graphical weighing analysis for the identification of mechanical disturbances and vibrations. Oscilloscope function for system diagnostics and filter optimization

### Part Number/Price

Part #	Description	Est. Weight	Price
216820	SCT-1SX-AN weight transmitter and analog output for DIN rail mount with DIO 2 IN and 4 OUT, integrated web server		\$895.00
216822	SCT-1SX-ETHIP weight transmitter and EtherNet/IP port for DIN rail mount with DIO 2 IN and 4 OUT, integrated web server		\$1,295.00
216821	SCT-1SX-PRONET weight transmitter and PROFINET port for DIN rail mount with DIO 2 IN and 4 OUT, integrated web server		\$1,095.00
216823	SCT-1SX-MODTCP weight transmitter and Modbus/TCP port for DIN rail mount with DIO 2 IN and 4 OUT, integrated web server		\$1,295.00

### Options/Accessories

Part #	Description	Est. Weight	Price
88792	12VDC 1.2A DIN rail mount power supply	1 lb	\$140.00
119244	24VDC 1.3A DIN rail mount power supply	1 lb	\$160.00
Consult	PC software, XSpeed with graphical weighing analysis and oscilloscope function for system diagnostics and filter optimization		Consult
Consult	Alibi Memory for type-approved communication to PC/PLC (fiscal memory, max 120,000 weighs) built-in real time clock to print the date/time with PCB, screw terminal, plastic box		Consult
Consult	Real time clock for printing/displaying of date and time		Consult

# SCT-4X

4-Channel Integrated Fieldbus Transmitter



INDICATORS /  
CONTROLLERS

## Specifications

- Power:**  
12 to 24 VDC
- Power Consumption:**  
5W
- Excitation Voltage:**  
5 VDC, 120 mA  
up to 16 x 350 ohm cells
- Analog Signal Input Range:**  
± 39 mV
- Analog Signal Sensitivity:**  
0.3  $\mu$ V/graduation minimum
- A/D Sample Rate:**  
24-bit A/D  
Single-channel up to 2600 conv/sec  
4 channels up to 100 conv/sec
- Resolution:**  
Internal: 3,000,000 counts  
Display: up to 800,000  
Up to 8 linearization points
- Digital I/O:**  
Two inputs: 12/24 VDC  
Two outputs: 150 mA 48 VAC/150 mA 60 VDC
- Communication Ports:**  
1 Micro-USB port (device) for PC configuration  
(1) RS-485, (1) RS-232
- Analog Output (if equipped):**  
Opt. isolated, 16-bit  
0-20mA, 4-20mA (Maximum 350 ohm)  
0-5 VDC, 0-10 VDC (Minimum 10,000 ohm)
- Annunciators:**  
Nine LEDs
- Display:**  
Six-digit 0.31 in (8 mm), red LED
- Keys/Buttons:**  
Five tactile keys  
Zeroing, Tare, Function mode, Manual data printing/  
sending, ON/Stand-by
- Dimensions:**  
(L x W x H)  
4.17 x 2.20 x 4.64 inches  
(106 x 56 x 118 mm)
- Temperature & Humidity:**  
Certified: 14 °F to 104 °F (-10 °C to 40 °C)  
Operating: -4 °F to 140 °F (-20 °C to 60 °C)
- Humidity:**  
80% RH, non-condensing
- Rating/Material:**  
NEMA Type 1 plastic pluggable connectors  
ABS
- Weight:**  
1 lb (0.5 kg)
- Warranty:**  
One-year limited
- Approvals:**  
CE-M EN 45501

## Standard Features

- Manage up to 4-load cells (1 scale) or 4 scales with load cell feed circuit for greater weighing stability
- Process to 2600 weight readings per second for single-channel
- 14.2 mm display with new configuration menu to simplify calibration and configuration
- All data and adjustments of each scale are available through integrated fieldbus with up to 120 updates per second
- Integrated web server allows complete diagnostics, calibration and remote configuration
- Frontal micro-USB communication port for configuration, diagnostics and data backup.
- Removable terminal blocks to simplify wiring in the electrical panel
- RS-485 communication port always available on all versions
- Power supply circuit with protections, specific for industrial environment

## OPTIONAL XSPEED SOFTWARE

- Customization of the weighing filter, to maximize the speed and accuracy in static and dynamic applications
- Graphical weighing analysis for the identification of mechanical disturbances and vibrations.
- Oscilloscope function for system diagnostics and filter optimization

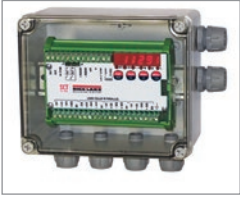
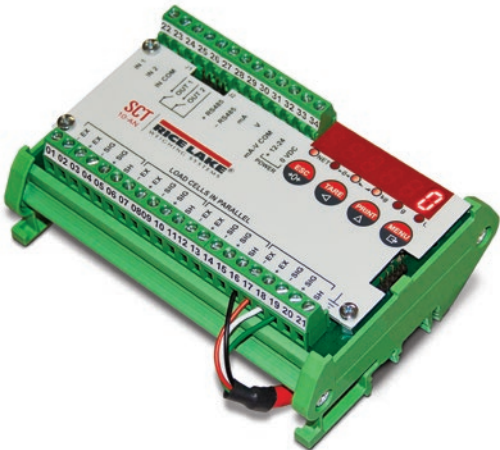
## Part Number/Price

Part #	Description	Est. Weight	Price
216824	SCT-4XAN high speed weight transmitter and analog output for DIN rail mount with 2 IN, 2 OUT, keypad, LED display		\$940.00
216825	SCT-4X-ETHIP high speed 4 channel weight transmitter and EtherNet/IP port for DIN rail mount with DIO 2 IN, 2 OUT, 5-key keypad, LED display		\$1,195.00
216826	SCT-4X-MODTCP high speed 4 channel weight transmitter and Modbus/TCP port for DIN rail mount with DIO 2 IN, 2 OUT, 5-key keypad, LED display		\$1,195.00
216827	SCT-4X-PRONET high speed 4 channel weight transmitter and PROFINET port for DIN rail mount with DIO 2 IN, 2 OUT, 5-key keypad, LED display		\$1,125.00

## Options/Accessories

Part #	Description	Est. Weight	Price
88792	12VDC 1.2A DIN rail mount power supply	1 lb	\$140.00
119244	24VDC 1.3A DIN rail mount power supply	1 lb	\$160.00
Consult	PC software, XSpeed with graphical weighing analysis and oscilloscope function for system diagnostics and filter optimization		Consult
Consult	Alibi Memory for type-approved communication to PC/PLC (fiscal memory, max 120,000 weighs) built-in real time clock to print the date/time with PCB, screw terminal, plastic box		Consult
Consult	Real time clock for printing/displaying of date and time		Consult





SCT-10 in Plastic Enclosure

### Specifications

- Power:**  
Input: 12 to 24 VDC
- Power Consumption:**  
5 W
- Excitation Voltage:**  
5 VDC, 120 mA, 8 × 350 ohm load cells
- Analog Signal Input Range:**  
+/- 19.5 mV
- Analog Signal Sensitivity:**  
0.3 µV/graduation minimum  
1.0 µV/graduation recommended
- A/D Sample Rate:**  
80 Hz
- Resolution:**  
Internal: 16,000,000 counts  
Display: 999,999
- System Linearity:**  
± 0.01% full scale
- Digital I/O:**  
2 inputs 5-24 VDC, 2 outputs  
24 VDC/60 mA  
N.O. or N.C. (solid state)
- Communication Ports**  
RS-485 or RS-232 simplex supports  
up to 115,200 bps
- Analog Output:**  
Opto isolated, 16 bit  
0-20 mA, 4-20 mA (max 300 ohm)  
0-10 VDC, 0-5 VDC, -10 to 10 VDC,  
5 to 5 VDC, (min 10k ohm)
- Annunciators:**  
Net, center of zero, stability,  
KG, G, LB
- Display:**  
0.3 in (8 mm), six-digit, 7 segment LED
- Keys/Buttons:**  
4-key membrane panel, tactile feel  
Zero, Tare, Print, Menu, Escape,  
Left and Up Navigation, Enter
- Dimensions:**  
(L × W × H)  
DIN Rail Mount: 4.84 × 3.62 × 1.96 in  
(123 × 92 × 50 mm)  
Enclosure: 6.69 × 5.51 × 3.74 in  
(170 × 140 × 95 mm)
- Temperature & Humidity:**  
Operating Temperature: -4 °F to 140 °F  
(-20 °C to 60 °C)  
Humidity: 85% non-condensing
- Rating/Material:**  
DIN rail mount: NEMA Type 1  
Enclosure: NEMA Type 4/IP67, plastic  
Clear cover: six PG9 cord grips
- Weight:**  
1 lb (0.5 kg)
- Warranty:**  
One-year limited
- Approvals:**  
cULus Recognized

INDICATORS / CONTROLLERS

Approvals



### Standard Features

- Converts digital weight to analog output
- Sums four input channels in parallel
- Theoretical calibration, real-weigh calibration, linearity calibration
- Push-button or preset tare
- Full-scale analog output with zero setting and PLC correction of analog signal
- Displays weight, configuration, calibration and error conditions
- DIN-rail mounting, suitable for back panel
- Two digital inputs, two digital outputs
- Supports ASCII or MODBUS-RTU protocols

### Part Number/Price

Part #	Description	Est. Weight	Price
129393	SCT-10 converter with Analog Output	1 lb	\$530.00
129394	SCT-10 converter with Analog Output in enclosure	1 lb	\$675.00

### Options/Accessories

Part #	Description	Est. Weight	Price
88792	12VDC 1.2A DIN rail mount power supply	1 lb	\$140.00
119244	24VDC 1.3A DIN rail mount power supply	1 lb	\$160.00
131129	Installation manual	1 lb	\$25.00
199687	DIN rail clip right & left end clamp		\$11.00

# SCT-20

Signal Conditioning Transmitter



INDICATORS /  
CONTROLLERS

## Approvals



## Standard Features

- Space saving, vertical shape with DIN-rail mounting
- Displays weight, configuration, calibration and error conditions
- Theoretical calibration, real-weigh calibration, linearity calibration
- Push-button or preset tare
- Converts digital weight to analog output or optional DeviceNet™ or Profibus™ or EtherNet/IP™ protocol
- Supports ASCII or MODBUS-RTU protocols
- Full-scale analog output with zero setting and PLC correction of analog signal
- Bit swapping selection for little endian and big endian format
- Two digital inputs, three digital outputs
- One serial port, RS-232 transmit only, or RS-485 half duplex connection

## Part Number/Price

Part #	Description	Est. Weight	Price
129396	SCT-20 converter with Analog Output	1 lb	\$530.00
129397	SCT-20 converter with DeviceNet™	1 lb	\$675.00
129558	SCT-20 converter with Profibus™ DP	1 lb	\$735.00
129398	SCT-20 converter with EtherNet/IP™	1 lb	\$950.00
132534	SCT-20 converter with Ethernet TCP/IP™	1 lb	\$950.00
156903	SCT-20 converter with Modbus/TCP	1 lb	\$950.00
131128	Installation manual	1 lb	\$25.00

*EtherNet/IP and Modbus output changed to Dual Port in 2019.*

## Options/Accessories

Part #	Description	Est. Weight	Price
88792	12VDC 1.2A DIN rail mount power supply	1 lb	\$140.00
119244	24VDC 1.3A DIN rail mount power supply.	1 lb	\$160.00

## Specifications

### Power:

Input: 12 to 24 VDC

### Power Consumption:

5 W

### Excitation Voltage:

5 VDC, 120 mA, 8 × 350 ohm load cells

### Analog Signal Input Range:

+/-39 mV

### Analog Signal Sensitivity:

0.3 µV/graduation minimum  
1.0 µV/graduation recommended

### A/D Sample Rate:

300 Hz

### Resolution:

Internal: 16,000,000 counts  
Display: 999,999

### System linearity:

± 0.01% full scale

### Digital I/O:

2 inputs 5 to 24 VDC, 3 outputs 115 VAC/150 mA  
N.O. or N.C. (dry contact)

### Communication Ports:

RS-232 transmit only, or RS-485 half duplex  
Supports up to 115,200 bps

### Analog Output:

Opto isolated, 16 bit  
0-20 mA, 4-20 mA (max 300 ohm)  
0-10 VDC, 0-5 VDC (min 10k ohm)

### Display:

0.3 in (8 mm), six-digit, seven-segment LED  
Annunciators: Net, center of zero, stability,  
KG, G, LB

### Keys/Buttons:

4-key membrane panel, tactile feel  
Zero, Tare, Print, Menu, Escape, Left & Up  
Navigation, Enter

### Dimensions

(W × H × D)  
4.72 × 4.52 × 0.98 in  
(120 × 115 × 25 mm)

### Temperature & Humidity:

Operating: -4 °F to 140 °F (-20 °C to 60 °C)  
Humidity: 85% non-condensing

### Rating/Material:

Enclosure: NEMA Type 1 plastic  
pluggable connectors

### Weight:

1 lb (0.5 kg)

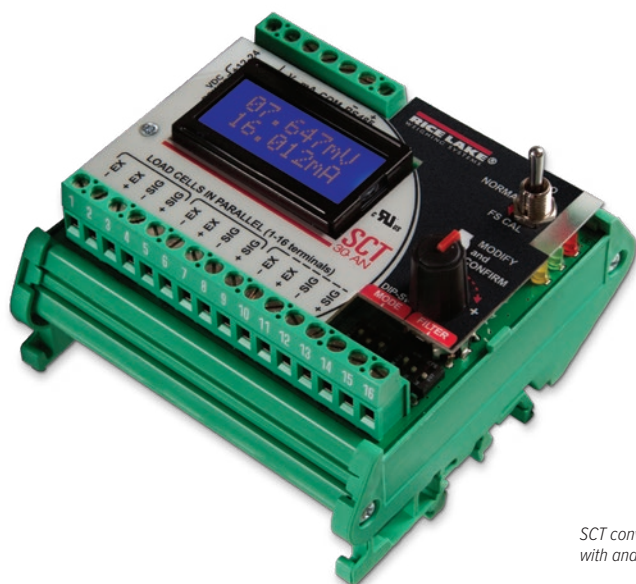
### Warranty:

One-year limited

### Approvals:

NTEP CC 14-083  
cULus Recognized





SCT converter  
with analog output

Approvals



### Part Number/Price

Part #	Description	Est. Weight	Price
156794	SCT-30 converter with Analog Output	1 lb	\$430.00
156834	SCT-30 converter with Analog Output in enclosure	1 lb	\$595.00

### Options/Accessories

Part #	Description	Est. Weight	Price
88792	12VDC 1.2A DIN rail mount power supply	1 lb	\$140.00
119244	24VDC 1.3A DIN rail mount power supply.	1 lb	\$160.00
131129	Installation manual	1 lb	\$25.00
199707	DIN rail clip right & left end clamp		\$11.00

### Standard Features

- LCD display
- Powers up to eight (350 ohm) load cells in parallel (with a 24-bit A/D converter)
- A/D converter 24-bit 4.8 kHz
- 16-bit analog output: 0-20 mA, 4-20 mA, 0-5 V, 0-10 V,  $\pm 5$  V, and  $\pm 10$  V
- Mounting on Omega/DIN rail for back panel or junction box
- Diagnostic message for load cell disconnect and over-capacity errors

### Specifications

#### Power:

Input: 12 to 24 VDC

#### Power Consumption:

3 W

#### Excitation Voltage:

5 VDC, 120 mA, 8  $\times$  350 ohm load cells

#### Analog Signal Input Range:

$\pm 1$ -39 mV

#### Analog Signal Sensitivity:

0.3  $\mu$ V/graduation minimum  
1.0  $\mu$ V/graduation recommended

#### A/D Sample Rate:

300 Hz

#### Resolution:

Internal: 16,000,000 counts

#### System Linearity:

$\pm 0.01\%$  full scale

#### Communication Ports:

RS-485

#### Analog Output:

Opto isolated, 16 bit  
0-20 mA, 4-20 mA (max 300 ohm)  
0-10 VDC, 0-5 VDC (min 10k ohm)

#### Display:

Eight-digit alphanumeric tow line LCD, 5 mm high

#### Keys/Buttons:

Control knob and DIP switches

#### Dimensions:

(L  $\times$  W  $\times$  H)  
3.74  $\times$  3.54  $\times$  2.36 in  
(95  $\times$  90  $\times$  60 mm)

#### Temperature & Humidity:

Operating: -4  $^{\circ}$ F to 140  $^{\circ}$ F (-20  $^{\circ}$ C to 60  $^{\circ}$ C)  
Humidity: 85% non-condensing

#### Rating/Material:

DIN rail mount: NEMA Type 1

#### Weight:

1 lb (0.5 kg)

#### Warranty:

One-year limited

#### Approval:

cULus Recognized

# SCT-40

Signal Conditioning Transmitter

INDICATORS /  
CONTROLLERS



Approvals



## Standard Features

- LCD display
- Supports up to eight independent reading channels for load cells
- Displays weight, configuration, calibration and error conditions
- DIN rail mounting
- Theoretical calibration, real-weight calibration and linear calibration
- Push-button or preset tare
- Converts digital weight to analog output or optional DeviceNet™, Profibus™, EtherNet/IP™, PROFINET and Modbus TCP protocols
- Supports ASCII or MODBUS RTU protocols
- Bit swapping selection for little endian and endian format
- Three digital inputs, five digital outputs
- One serial port, RS-485 half duplex or RS-232 transmit-only connection

### SCT-40AN only

- Full scale analog output with zero setting and PLC correction of analog signal

## Part Number/Price

Part #	Description	Est. Weight	Price
170470	SCT-40 with Analog Output	1 lb	\$735.00
170471	SCT-40 with DeviceNet	1 lb	\$980.00
170472	SCT-40 with Profibus	1 lb	\$980.00
170473	SCT-40 with EtherNet/IP	1 lb	\$1,025.00
170474	SCT-40 with Ethernet TCP/IP	1 lb	\$975.00
170475	SCT-40 with Modbus TCP	1 lb	\$1,025.00
170476	SCT-40 with Profinet I/O	1 lb	\$1,025.00
131128	Installation manual	1 lb	\$25.00

*EtherNet/IP and Modbus output changed to Dual Port in 2019*

## Options/Accessories

Part #	Description	Est. Weight	Price
88792	12VDC 1.2A DIN rail mount power supply	1 lb	\$140.00
119244	24VDC 1.3A DIN rail mount power supply.	1 lb	\$160.00

## Specifications

### Power:

Input: 12 to 24 VDC

### Power Consumption:

5W

### Excitation Voltage:

5 VDC, 240 mA, 16 x 350 ohm load cells

### Analog Signal Input Range:

+/-39 mV

### Analog Signal Sensitivity:

0.3  $\mu$ V/graduation minimum

1.0  $\mu$ V/graduation recommended

### A/D Sample Rate:

600 Hz

### Resolution:

Internal: 16,000,000 counts

Display: 999,999

### System linearity:

$\pm$  0.01% full scale

### Digital I/O:

3 inputs 5 to 24 VDC, 5 outputs, 115 VAC/150 mA

### Communication Ports

RS-232 transmit only, or RS-485 half duplex

Supports up to 115,200 bps

### Analog Output (SCT-40AN only):

Opto isolated, 16 bit

0-20 mA, 4-20 mA (max 300 ohm)

0-10 VDC, 0-5 VDC (min 10,000 ohm)

### Display:

Backlit graphic LCD, transmissive

128 x 64 pixel resolution, 60 x 32 mm visible area

### Keys/Buttons:

Five-key tactile keypad

Test, Zero, Tare, Print Menu, Escape, Left and Up,

Navigator, Enter

### Dimensions:

(L x W x H)

5.82 x 3.62 x 2.36 in

(148 x 92 x 60 mm)

### Temperature & Humidity:

Operating: -4 °F to 140 °F (-20 °C to 60 °C)

Humidity: 85% non-condensing

### Rating/Material:

DIN rail mount: NEMA Type 1

### Weight:

1 lb (0.5 kg)

### Warranty:

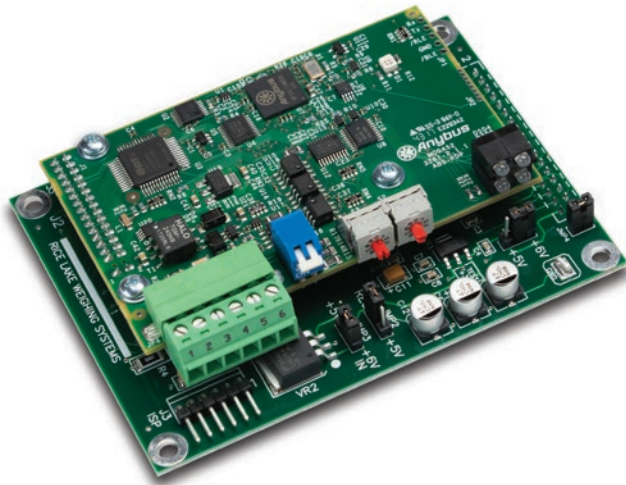
One-year limited

### Approvals:

cULus Recognized

# Profibus® DP Interface

720i™/920i®



PN 68540

## Standard Features

- DP intelligent device
- Standard GSD file download from product page
- 128 selectable addresses
- Auto baud rate up to 56K
- Registered with Profibus Trade Organization
- Onboard diagnostic LEDs

## Specifications

- Power:**  
5 VDC, 350 mA
- Fieldbus Interface:**  
Pluggable screw connector
- Diagnostic LEDs:**  
Module status and network status
- Dimensions:**  
2.00 × 1.90 × 0.75 in  
(51.8 × 48 × 19 mm)
- Temperature Range:**  
14 °F to 158 °F (-10 °C to 70 °C)

INDICATORS /  
CONTROLLERS

## Part Number/Price

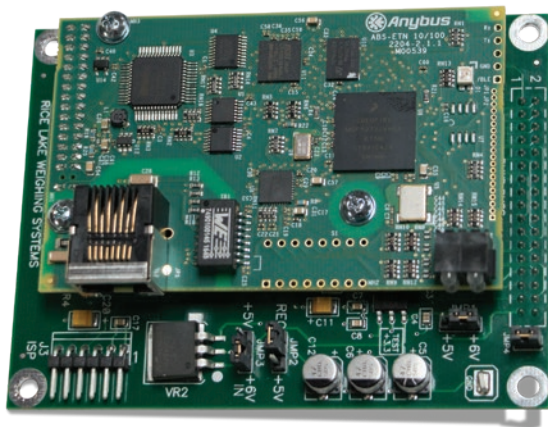
Part #	Description	Est. Weight	Price
68540	Profibus DP interface kit (internal), for 720i/920i indicators	3 lb	\$720.00

## Options/Accessories

Part #	Description	Price
69948	Additional operating manual)	\$44.00

# Profinet® I/O Interface

920i®



PN 187816

## Standard Features

- CE marked and UL conformance
- Onboard diagnostic LEDs
- Control protocols

## Specifications

- Power:**  
5 VDC, 350 mA (jumper for 6 VDC)
- Fieldbus Interface:**  
RJ-45
- Diagnostic LEDs:**  
Link status and module status
- Dimensions:**  
2.13 × 3.38 × 0.59 in  
(86 × 54 × 15 mm)
- Temperature Range:**  
14 °F to 158 °F (-10 °C to 70 °C)

## Part Number/Price

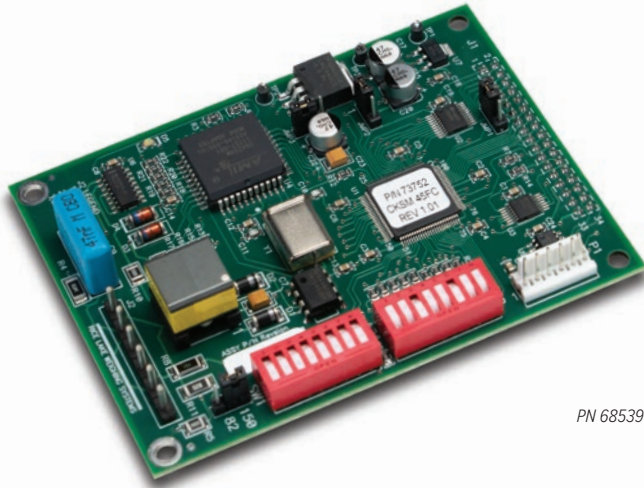
Part #	Description	Price
187816	Profinet IO interface kit for 920i indicator	\$895.00

## Options/Accessories

Part #	Description	Price
187907	Additional operating manual	\$35.00

# Remote I/O Interface

720i™/920i®



PN 68539

## Standard Features

- 115 or 230 VAC operation
- Discrete data transfer
- Block data transfer
- Onboard diagnostic LED

## Specifications

**Power:**

5 VDC, 140 mA

**Communication Ports:**

Twin axial cable attachment to network at 57.6, 115.2 or 230.4 Kbps  
Update rate is dependent on the configured baud rate and the number of network modes

**Fieldbus Interface:**

Pluggable screw connector

**Diagnostic LED:**

Link status and module status

**Dimensions:**

2.13 × 3.38 × 0.59 in  
(86 × 54 × 15 mm)

**Temperature Range:**

14 °F to 158 °F (-10 °C to 70 °C)

## Part Number/Price (Limited Supply)

Part #	Description	Est. Weight	Price
68539	Allen-Bradley remote I/O (internal), for 720i/920i indicators	3 lb	\$720.00

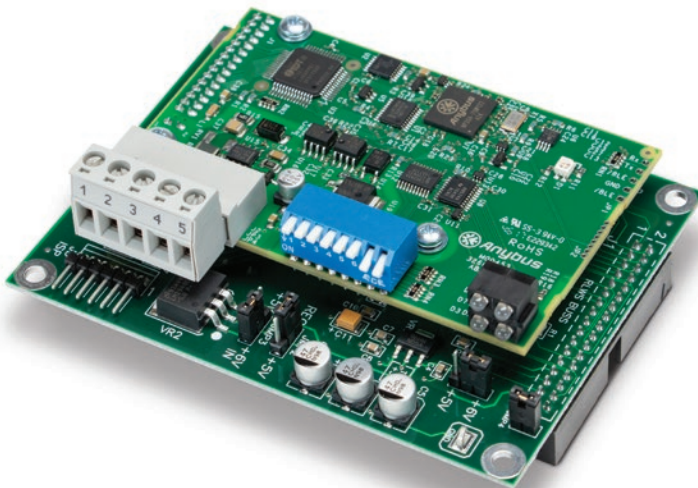
## Options/Accessories

Part #	Description	Price
69950	Additional operating manual	\$44.00

INDICATORS / CONTROLLERS

# DeviceNet™ Interface

720i™/920i®



PN 68541

## Standard Features

- DeviceNet communication adapter
- Compact size for internal installation in 720 and 920i indicators
- Polled I/O connection
- 125 Kbps, 250 Kbps, and 500 Kbps baud rate
- Onboard LED diagnostics
- Floating-point commands support decimal points

## Specifications

**Power:**

5 VDC, 270 mA

Fieldbus connector requires 24 VDC, ±10%

**Communication Ports:**

Twisted-pair cabling at 125, 250, or 500 Kbps  
Update rate is dependent on the configured baud rate and the number of network modes

**Fieldbus Interface:**

Pluggable screw connector

**Diagnostic LEDs:**

Module status and network status

**Dimensions:**

2.13 × 3.38 × 0.59 in  
(86 × 54 × 15 mm)

**Temperature Range:**

14 °F to 158 °F (-10 °C to 70 °C)

**Galvanic Isolation:**

Bus power is separated from other electronics via DC/DC converter. The send and receive signals are isolated via opto couplers.

## Part Number/Price

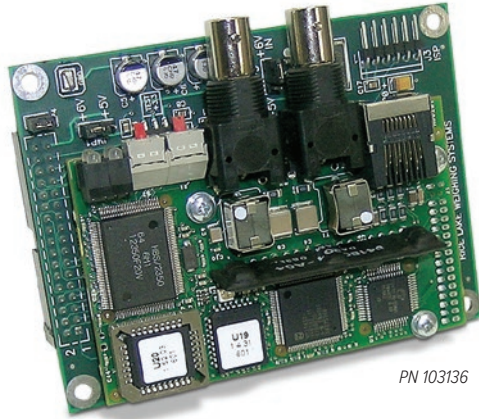
Part #	Description	Est. Weight	Price
68541	DeviceNet interface kit for 720i/920i indicators	3 lb	\$720.00

## Options/Accessories

Part #	Description	Price
69949	Additional operating manual	\$44.00



FIELD BUS CARDS  
**ControlNet™ Interface**  
 920i®



PN 103136

**Standard Features**

- Option for 920i
- Polled I/O connection
- Onboard LED diagnostics
- Floating-point commands support decimal points

**Specifications**

**Power:**  
5 VDC, 350 mA (jumper for 6 VDC)

**Fieldbus Interface:**  
BNC connector

**Diagnostic LEDs:**  
Module status and network status

**Dimensions:**  
2.13 × 3.38 × 0.59 in  
(86 × 54 × 15 mm)

**Temperature Range:**  
14 °F to 158 °F (-10 °C to 70 °C)

**Part Number/Price**

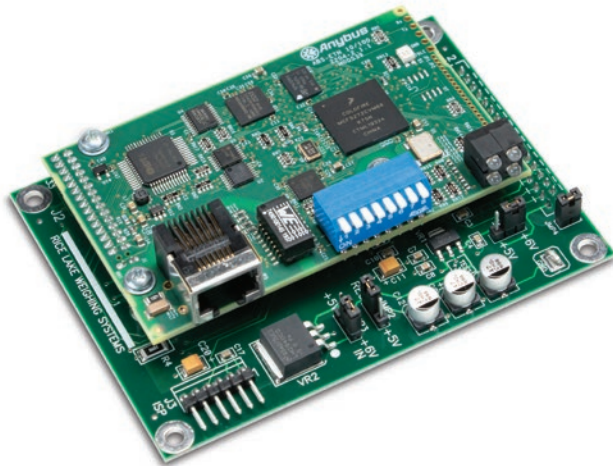
Part #	Description	Price
103136	ControlNet interface for 920i indicator	\$1,080.00
<b>Cables</b>		
Consult factory for coaxial cable with cord grips		

**Options/Accessories**

Part #	Description	Price
103122	Additional operating manual	\$40.00

INDICATORS / CONTROLLERS

FIELD BUS CARDS  
**EtherNet/IP® Interface**  
 720i™/920i®



PN 87803

**Standard Features**

- Industrial protocol for Allen-Bradley PLC and other EtherNet/IP compliant devices
- IP address settings configurable with onboard DIP switches, web page, or ARP or DHCP
- Supports Rockwell Automation® EtherNet/IP level
- CE marked and UL conformance
- Onboard diagnostic LED
- Supports the Modbus/TCP protocol and conforms to Modbus/TCP specification 1.0

**Specifications**

**Power:**  
5 VDC, 350 mA

**Fieldbus Interface:**  
RJ-45

**Diagnostic LEDs:**  
Module status and network status

**Dimensions:**  
2.13 × 3.38 × 0.59 in  
(86 × 54 × 15 mm)

**Temperature:**  
14 °F to 158 °F (-10 °C to 70 °C)

**Part Number/Price**

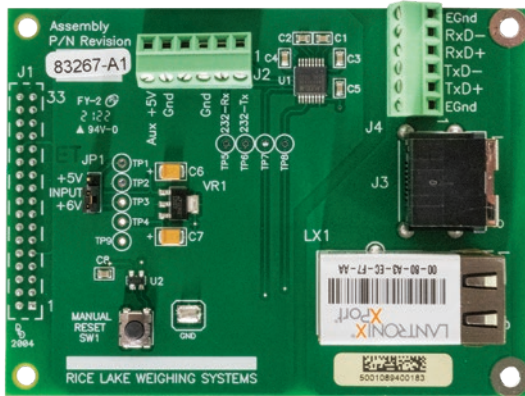
Part #	Description	Price
87803	EtherNet/IP protocol card for 720i/920i indicators	\$895.00

**Options/Accessories**

Part #	Description	Price
88537	Additional operating manual	\$40.00

# Ethernet TCP/IP Interface

720i™/920i®



PN 71986

## Standard Features

- Supports any serial devices with seven or eight data bits requiring Ethernet access
- Compact size for internal installation in 720i and 920i indicators
- Can be used in other applications requiring five-volt power supplied
- 10/100 megabyte through RJ45 connector or wireless option
- HTTP, serial, telnet and SNMP management

## Specifications

**Power:**

5 VDC, 250 mA

**Supported Protocols:**

ARP, UDP, TCP, Telnet, SNMP, ICMP, HTTP, BOOTP, DHCP and TFTP

**Network Interface:**

Ethernet: RJ-45 (10/100 Base-T) or AUI

**Serial Line Formats:**

Characters: 7 or 8 data bits  
 Stop bits: 1 or 2  
 Parity: odd, even, none

**Data Rates:**

Single port, 300 bps to 115.2 Kbps default 9,600

**Dimensions:**

2.00 × 1.90 × 0.75 in  
 (52 × 49 × 19 mm)

**Temperature Range:**

41 °F to 122 °F (5 °C to 50 °C)

## Part Number/Price

Part #	Description	Est. Weight	Price
71986	Ethernet TCP/IP interface for 720i/920i indicators	3 lb	\$455.00
206271	Wireless Ethernet TCP/IP interface for 720i/920i indicators	3 lb	\$670.00
206272	Wireless Ethernet TCP/IP interface for 720i, CW-90 indicators and iQUBE <sup>2</sup>	3 lb	\$610.00

## Options/Accessories

Part #	Description	Price
72117	Additional operating manual	\$14.00
<b>Cables</b>		
72697	RJ-45 to RJ-45, straight, 7 ft length	\$40.00
78860	RJ-45 to RJ-45, cross over, 7 ft length	\$40.00



PN 206272



PN 206271

INDICATORS /  
CONTROLLERS



# Profibus® DP Interface

880®/882D/882IS/1280



### Standard Features

- DP intelligent device
- Standard GSD file download from product page
- Selectable addresses
- Up to 12 Mbps baud rate
- Onboard diagnostic LEDs

### Specifications

**Power:**  
3.3 VDC, 250 mA

**Connector Type:**  
DB9, pluggable

**Diagnostic LEDs:**  
Module status and network status

**Dimensions:**  
2.00 × 1.90 × 0.75 in  
(52 × 49 × 19 mm)

**Temperature Range:**  
-40 °F to 158 °F (-40 °C to 70 °C)

### Part Number/Price

Part #	Description	Est. Weight	Price
179163	Profibus DP interface kit, for 880 indicator	1 lb	\$600.00
165795	Profibus DP interface kit for 1280 indicator	1 lb	\$620.00
190534	Profibus DP interface kit for 882D and 882IS indicators	1 lb	\$620.00

NOTE: Kit includes module and carrier board

### Options/Accessories

Part #	Description	Price
156784	Additional operating manual	\$40.00

INDICATORS / CONTROLLERS

# PROFINET® Interface

880®/882D/882IS/1280



### Standard Features

- PROFINET communication adapter
- Onboard diagnostic LEDs
- 100 Mbps baud rate
- Works as an I/O device on the PROFINET network
- PROFINET energy compliant

### Specifications

**Power:**  
3.3 VDC, 250 mA

**Configuration:**  
GSDML file

**Connector Type:**  
RJ-45 (Consult for dual-port version)

**Diagnostic LEDs:**  
Module status and network status

**IP Address Range:**  
Full IP address range DHCP

**Dimensions:**  
2.00 × 1.90 × 0.75 in  
(52 × 49 × 19 mm)

**Temperature Range:**  
-40 °F to 158 °F (-40 °C to 70 °C)

### Part Number/Price

Part #	Description	Est. Weight	Price
179160	PROFINET interface kit for 880 indicator (single port)	1 lb	\$600.00
205567	PROFINET interface kit for 880 indicator (dual port)	1 lb	\$805.00
165794	PROFINET interface kit for 1280 indicator (single port)	1 lb	\$620.00
190532	PROFINET interface kit for 882D and 882IS indicators	1 lb	\$620.00

NOTE: Kit includes module and carrier board

### Options/Accessories

Part #	Description	Price
156781	Additional operating manual	\$40.00

# DeviceNet™ Interface

880®/882D/882IS/1280



## Standard Features

- DeviceNet communication adapter
- 125 Kbps, 150 Kbps and 500 Kbps baud rate
- Onboard diagnostic LEDs

## Specifications

- Power:**  
3.3 VDC, 250 mA
- Connector Type:**  
Pluggable screw terminal
- IP Address Range:**  
MAC ID 0 to 63
- Diagnostic LEDs:**  
Module status and network status
- Dimensions:**  
2.00 × 1.90 × 0.75 in  
(52 × 49 × 19 mm)
- Temperature Range:**  
-40 °F to 158 °F (-40 °C to 70 °C)

## Part Number/Price

Part #	Description	Est. Weight	Price
179162	DeviceNet interface kit for 880 indicator	1 lb	\$600.00
165793	DeviceNet interface kit for 1280 indicator	1 lb	\$620.00
190531	DeviceNet interface kit for 882D and 882IS indicators	1 lb	\$620.00

NOTE: Kit includes module and carrier board

## Options/Accessories

Part #	Description	Price
156783	Additional operating manual	\$40.00

INDICATORS /  
CONTROLLERS

# MODBUS-TCP® Interface

880®/882D/882IS/1280



## Standard Features

- Active module with serial and parallel application interface
- Complete Modbus-TCP server
- Up to 8 bytes of I/O data
- Transformer isolated interface 100 Mbps full duplex Ethernet
- Onboard diagnostic LEDs
- CE and UL compliant

## Specifications

- Power Requirements:**  
3.3 VDC, 250 mA
- Connector Type:**  
RJ-45
- Diagnostic LEDs:**  
Link status, network status, module status
- Dimensions:**  
2.00 × 1.90 × 0.75 in  
(51 × 48 × 19 mm)
- Temperature Range:**  
-40 °F to 176 °F (-40 °C to 85 °C)

## Part Number/Price

Part #	Description	Est. Weight	Price
179161	Modbus-TCP Interface kit for 880 indicator (single port)	1 lb	\$600.00
205568	Modbus-TCP Interface kit for 880 indicator (dual port)	1 lb	\$805.00
165796	Modbus-TCP Interface kit for 1280 indicator (single port)	1 lb	\$620.00
190533	Modbus-TCP Interface kit for 882D and 882IS indicators	1 lb	\$620.00

NOTE: Kit includes module and carrier board

## Options/Accessories

Part #	Description	Price
156782	Additional operating manual	\$40.00

# EtherNet/IP® Interface

880®/882D/882IS/1280



## Standard Features

- Industrial protocol for Allen-Bradley PLC and other EtherNet/IP compliant devices
- IP address settings configurable with web page, ARP or DHCP
- Supports Allen-Bradley EtherNet/IP
- Onboard diagnostic LEDs
- CE marked and UL conformance
- AOP (880 only) or standard EDS file download

## Specifications

### Power Requirements:

3.3 VDC, 250 mA

### IP Address Range:

Full IP address range

### Connector Type:

RJ-45

### Diagnostic LEDs:

Module status and network status

### Dimensions:

2.00 × 1.90 × 0.75 in  
(52 × 49 × 19 mm)

### Temperature Range:

-40 °F to 158 °F (-40 °C to 70 °C)

## Part Number/Price

Part #	Description	Est. Weight	Price
179159	EtherNet/IP interface kit for 880 indicator (single port)	1 lb	\$600.00
205566	EtherNet/IP Interface kit for 880 indicator (dual Port)	1 lb	\$805.00
165792	EtherNet/IP interface kit for 1280 indicator (single port)	1 lb	\$620.00
208129	EtherNet/IP Interface kit for 1280 indicator (dual Port)	1 lb	\$805.00
190530	EtherNet/IP Interface kit for 882D and 882IS indicators	1 lb	\$620.00

NOTE: Kit includes module and carrier board

## Options/Accessories

Part #	Description	Price
156861	Additional operating manual	\$40.00

INDICATORS / CONTROLLERS

# EtherCAT Interface

880®/882D/882IS/1280



## Standard Features

- Two RJ-45 EtherCAT 100 Mbit/s ports available simultaneously
- Can be wired in several topologies including star, line or tree
- Has built-in redundancy that compensates for potential breaks in wiring
- No network switches necessary, can be wired directly from device to device
- Includes self-terminating network
- Onboard diagnostic LEDs
- CE, cULus and RoHS compliant

## Specifications

### Power:

3.3 VDC, 500 mA

### Connector Type:

RJ-45 (dual port)

### Diagnostic LEDs:

Module status and network status

### Dimensions:

2.04 × 1.97 × 0.86 in  
(52 × 50 × 22 mm)

### Temperature Range:

-40 °F to 158 °F (-40 °C to 70 °C)

## Part Number/Price

Part #	Description	Est. Weight	Price
179158	EtherCAT interface kit for 880 indicator	1 lb	\$600.00
179533	EtherCAT interface kit for 1280 indicator	1 lb	\$620.00
190535	EtherCAT interface kit for 882D and 882IS indicators	1 lb	\$620.00

NOTE: Kit includes module and carrier board

## Options/Accessories

Part #	Description	Price
164394	Additional operating manual	\$40.00

# TranSend™ MSI-7000

Wireless Load Cell Interface System



INDICATORS / CONTROLLERS

## Part Number/Price

Part #	Description	Est. Weight	Price
<b>Transmitters</b>			
<b>5-6 VDC Power Input</b>			
159207	Four-channel transmitter, no relays, RF 802.15.4, 2.4 GHz	2 lb	\$1,055.00
161949	Four-channel transmitter, includes three coil relays, RF 802.15.4, 2.4 GHz	2 lb	\$1,210.00
176648	Four-channel transmitter, no relays, Wi-Fi	2 lb	\$1,115.00
176652	Four-channel transmitter, includes three coil relays, Wi-Fi	2 lb	\$1,265.00
<b>7-36 VDC Power Input</b>			
159470	Four-channel transmitter, no relays, RF 802.15.4, 2.4 GHz	2 lb	\$1,090.00
161951	Four-channel transmitter, includes three coil relays, RF 802.15.4, 2.4 GHz	2 lb	\$1,265.00
176650	Four-channel transmitter, no relays, Wi-Fi	2 lb	\$1,145.00
176653	Four-channel transmitter, includes three coil relays, Wi-Fi	2 lb	\$1,325.00
<b>85-265 VAC Power Input</b>			
159469	Four-channel transmitter, no relays, RF 802.15.4, 2.4 GHz	2 lb	\$1,115.00
161950	Four-channel transmitter, includes three coil relays, RF 802.15.4, 2.4 GHz	2 lb	\$1,295.00
176647	Four-channel transmitter, no relays, Wi-Fi	2 lb	\$1,175.00
176651	Four-channel transmitter, includes three coil relays, Wi-Fi	2 lb	\$1,370.00
<b>Receivers</b>			
<b>5-6 VDC Power Input</b>			
160016	Four-channel receiver to provide an analog output signal: 4-20 mA, 0-20 mA, 0-5 VDC, 0-10 VDC, ±5 VDC, ±10 VDC, includes three coil relays, RF 802.15.4, 2.4 GHz	2 lb	\$1,265.00
160017	MSI-7000 four-channel receiver to provide RS232 serial output	2 lb	\$1,285.00
<b>7-36 VDC Power Input</b>			
159478	MSI-7000 four-channel receiver to provide RS232 serial output	2 lb	\$1,340.00
159476	Four-channel receiver to provide an analog output signal: 4-20 mA, 0-20 mA, 0-5 VDC, 0-10 VDC, ±5 VDC, ±10 VDC, includes three coil relays, RF 802.15.4, 2.4 GHz	2 lb	\$1,425.00
<b>85-265 VAC Power Input</b>			
159477	Four-channel receiver to provide RS232 serial output	2 lb	\$1,190.00
159475	Four-channel receiver to provide an analog output signal: 4-20 mA, 0-20 mA, 0-5 VDC, 0-10 VDC, ±5 VDC, ±10 VDC, includes three coil relays, RF 802.15.4, 2.4 GHz	2 lb	\$1,530.00

## Standard Features

- Works with any basic digital weight indicator
- Excitation to load cell(s) provided by the transmitter, not the indicator
- Each transmitter/receiver set is individually paired
- Serial communication cable included with all transmitters
- IP68 milled aluminum enclosure

(Contact MSI for application consultation)

## Specifications

### Power:

MSI-7000: 5-6 VDC, 7-36 VDC, 85-265 VAC  
 MSI-7001: 5-6 VDC, 7-36 VDC, 85-265 VAC  
 MSI-7000HD: 7-36 VDC, 9-36 VDC, 85-265 VAC  
 MSI-7001HD: 5-6 VDC, 7-36 VDC, 9-36 VDC, 85-265 VAC

### Excitation Voltage:

Transmitter: +4.8 VDC, 16 x 350 ohm or 32 x 700 ohm load cells

### Standard Antenna:

1/2 wave 2dBi, articulated

### Frequency:

Direct sequence spread spectrum at 2.4 GHz, 802.15.4

### Effective Range:

Typically 100 to 300 ft, line of sight; for longer range consult factory

### Communication Ports:

Full duplex RS-232

### Circuit Protection:

RFI, EMI, ESD protection

### Operating Temperature:

-40 °F to 185 °F (-40 °C to 85 °C)

### Rating/Material:

MSI-7000/MSI-7001:  
 IP68, die-cast aluminum enclosure  
 MSI-7000HD/MSI-7001HD:  
 IP68, durable milled aluminum enclosure

### Additional RF Options:

Wi-Fi  
 802.15.4  
 FHSS

### Warranty:

One-year limited

## Options/Accessories

Part #	Description	Price
162172	Charger, TranSend™ for 6 V SLA battery	\$70.00
162173	Battery, TranSend 6 V SLA	\$135.00
162175	Enclosure, TranSend for 6 V SLA battery	\$350.00
160109	AC adapter, TranSend 6 V	\$59.00
143531	Power cord, 6 V SLA battery charger EU	\$31.00
143533	Power cord, 6 V SLA battery charger, Australia	\$54.00
143534	Power cord, 6 V SLA battery charger, UK	\$47.00
160110	265 VAC to 6 VDC wall adapter US/UK/EU/AUS/China	\$59.00
162178	Antenna extension kit, 6 ft coax cable	\$490.00
139309	Antenna kit, long range Omni with 3 m coax cable	\$510.00
139310	Antenna kit, corner reflector 9 dbi with 3 m coax cable	\$505.00
197013	Antenna extension kit, 20 ft	\$520.00
139311	Antenna kit, corner reflector 12 dbi with 3 m coax cable	\$535.00
139312	Antenna kit, Yagi 15 dbi with 3 m coax cable	\$415.00
144345	30 m coaxial cable, for use with non-vehicle mount antenna kits	\$480.00
139313	Antenna kit, vehicle mount. 5 dbi with 5 m coaxial cable	\$160.00
150964	RS-232 13 ft (4 m) serial cable with nine-pin (female) connector	\$200.00
150965	RS-232 13 ft (4 m) serial cable with nine-pin (male) connector	\$180.00
145085	RS-232 serial cable, unterminated	\$135.00

# TranSend™ MSI-7001

Wireless Load Cell Interface System



INDICATORS /  
CONTROLLERS

## Part Number/Price

Part #	Description	Est. Weight	Price
<b>Transmitters</b>			
<b>5-6 VDC Power Input</b>			
160330	Single-channel transmitter, no relays, RF 802.15.4, 2.4 GHz	2 lb	\$995.00
176655	Single-channel transmitter, no relays, Wi-Fi	2 lb	\$1,050.00
<b>7-36 VDC Power Input</b>			
160329	Single-channel transmitter, no relays, RF 802.15.4, 2.4 GHz	2 lb	\$1,055.00
176656	Single-channel transmitter, no relays, Wi-Fi	2 lb	\$1,115.00
<b>85-265 VAC Power Input</b>			
160328	Single-channel transmitter, no relays, RF 802.15.4, 2.4 GHz	2 lb	\$1,090.00
176654	Single-channel transmitter, no relays, Wi-Fi	2 lb	\$1,145.00
<b>Receivers</b>			
<b>5-6 VDC Power Input</b>			
160337	Single-channel receiver to provide a mV signal to a digital weight indicator, RF 802.15.4, 2.4 GHz	2 lb	\$1,055.00
160334	Single-channel receiver to provide an analog output signal: 4-20 mA, 0-20 mA, 0-5 VDC, 0-10 VDC, ±5 VDC, ±10 VDC, RF 802.15.4, 2.4 GHz	2 lb	\$1,115.00
161941	Single-channel receiver to provide RS232 serial output	2 lb	\$825.00
<b>7-36 VDC Power Input</b>			
160336	Single-channel receiver to provide a mV signal to a digital weight indicator, RF 802.15.4, 2.4 GHz	2 lb	\$1,155.00
161939	Single-channel receiver to provide RS232 serial output	2 lb	\$940.00
160333	Single-channel receiver to provide an analog output signal: 4-20 mA, 0-20 mA, 0-5 VDC, 0-10 VDC, ±5 VDC, ±10 VDC, RF 802.15.4, 2.4 GHz	2 lb	\$1,265.00
<b>85-265 VAC Power Input</b>			
160335	Single-channel receiver to provide a mV signal to a digital weight indicator, RF 802.15.4, 2.4 GHz	2 lb	\$1,210.00
161938	Receiver to provide RS232 serial output	2 lb	\$1,005.00
160332	7001AN AC power	-	\$1,325.00

## Standard Features

- Works with any basic digital weight indicator
- Excitation to load cell(s) provided by the transmitter, not the indicator
- Each transmitter/receiver set is individually paired
- Serial communication cable included with all transmitters
- IP68 milled aluminum enclosure

(Contact MSI for application consultation)

## Specifications

### Power:

MSI-7000: 5-6 VDC, 7-36 VDC, 85-265 VAC  
 MSI-7001: 5-6 VDC, 7-36 VDC, 85-265 VAC  
 MSI-7000HD: 7-36 VDC, 9-36 VDC, 85-265 VAC  
 MSI-7001HD: 5-6 VDC, 7-36 VDC, 9-36 VDC, 85-265 VAC

### Excitation Voltage:

Transmitter: +4.8 VDC, 16 x 350 ohm or 32 x 700 ohm load cells

### Standard Antenna:

1/2 wave 2dBi, articulated

### Frequency:

Direct sequence spread spectrum at 2.4 GHz, 802.15.4

### Effective Range:

Typically 100 to 300 ft, line of sight; for longer range consult factory

### Communication Ports:

Full duplex RS-232

### Circuit Protection:

RFI, EMI, ESD protection

### Operating Temperature:

-40 °F to 185 °F (-40 °C to 85 °C)

### Rating/Material:

MSI-7000/MSI-7001:  
 IP68, die-cast aluminum enclosure  
 MSI-7000HD/MSI-7001HD:  
 IP68, durable milled aluminum enclosure

### Additional RF Options:

Wi-Fi  
 802.15.4  
 FHSS

### Warranty:

One-year limited



### Options/Accessories

Part #	Description	Price
162177	Cordset, TranSend, pre-wired for use with single channel transmitters or non-relay based receivers	\$135.00
164865	Cable, 4 m, one-channel, mV/V output, LC input	\$145.00
165648	Cable, 5 m, one-channel, mV/V output, LC input	\$165.00
165651	Cable, 10 m, one-channel, mV/V output, LC input	\$230.00
162184	Load cell connector, TranSend, field wireable, 4-6 mm straight. For use with single channel transmitters and all receivers.	\$62.00
162185	Load cell connector, TranSend, field wireable, 6-8 mm straight. For use with single channel transmitters and all receivers.	\$62.00
162186	Load cell connector, TranSend, field wireable, 4-6 mm right angle. For use with single channel transmitters and all receivers.	\$62.00
162187	Load cell connector, TranSend, field wireable, 6-8 mm right angle. For use with single channel transmitters and all receivers.	\$62.00
145084	Cable, 2 m, one-channel, analog output	\$64.00
144400	Cable, 5 m, one-channel, analog output	\$100.00
168903	Cable, 10 m, one-channel, analog output	\$150.00
Consult	Straight connector, analog output, field wire able, 4-6 mm OD	Consult
Consult	Straight connector, analog output, field wire able, 6-8 mm OD	Consult
Consult	Right angle connector, analog output, field wire able, 4-6 mm OD	Consult
Consult	Right angle connector, analog output, field wire able, 6-8 m OD	Consult
162172	Charger, TranSend™ for 6 V SLA battery	\$70.00
162173	Battery, TranSend 6V SLA	\$135.00
162175	Enclosure, TranSend for 6 V SLA battery	\$350.00
160109	AC adapter, TranSend 6 V	\$59.00
143531	Power cord, 6 V SLA battery charger EU	\$31.00
143533	Power cord, 6 V SLA battery charger, Australia	\$54.00
143534	Power cord, 6 V SLA battery charger, UK	\$47.00
160110	265 VAC to 6 VDC wall adapter US/UK/EU/AUS/China	\$59.00
162178	Antenna extension kit, 6 ft coax cable	\$490.00
139309	Antenna kit, long range Omni with 3 m coax cable	\$510.00
139310	Antenna kit, corner reflector 9 dbi with 3 m coax cable	\$505.00
197013	Antenna extension kit, 20 ft	\$520.00
139311	Antenna kit, corner reflector 12 dbi with 3 m coax cable	\$535.00
139312	Antenna kit, Yagi 15 dbi with 3 m coax cable	\$415.00
144345	30 m coaxial cable, for use with non-vehicle mount antenna kits	\$480.00
139313	Antenna kit, vehicle mount. 5 dbi with 5 m coaxial cable	\$160.00
150964	RS-232 13 ft (4 m) serial cable with nine-pin (female) connector	\$200.00
150965	RS-232 13 ft (4 m) serial cable with nine-pin (male) connector	\$180.00
145085	RS-232 serial cable, unterminated	\$135.00

# TranSend™ MSI-7000HD

Wireless Load Cell Interface System



INDICATORS /  
CONTROLLERS

## Part Number/Price

Part #	Description	Est. Weight	Price
<b>Transmitters</b>			
<b>7-36 VDC Power Input</b>			
177944	Four-channel 7-36VDC, three coil relays, 802.15.4		\$2,225.00
177997	Four-channel 7-36VDC, three coil relays, Wi-Fi		\$2,235.00
<b>9-36 VDC Power Input</b>			
177945	Four-channel 9-36VDC isolated, three coil relays, 802.15.4		\$2,320.00
177998	Four-channel 9-36VDC isolated, three coil relays, Wi-Fi		\$2,345.00
<b>85-265 VAC Power Input</b>			
177942	Four-channel 85-265VAC, three coil relays, 802.15.4		\$2,280.00
177995	Four-channel 85-265VAC, three coil relays, Wi-Fi		\$2,300.00

## Options/Accessories

Part #	Description	Price
187424	Dual XBee option kit for 7000HD with TNC antenna	\$210.00
162178	Antenna extension kit, 6 ft coax cable	\$490.00
139309	Antenna kit, long range Omni with 3 m coax cable	\$510.00
139310	Antenna kit, corner reflector 9 dbi with 3 m coax cable	\$505.00
197013	Antenna extension kit, 20 ft	\$520.00
139311	Antenna kit, corner reflector 12 dbi with 3 m coax cable	\$535.00
139312	Antenna kit, Yagi 15 dbi with 3 m coax cable	\$415.00
144345	30 m coaxial cable, for use with non-vehicle mount antenna kits	\$480.00
139313	Antenna kit, vehicle mount. 5 dbi with 5 m coaxial cable	\$160.00
148624	RS-232/RS-485 serial cable	\$140.00
143348	Cordset IP68 5-pin male	\$135.00
141263	12V Battery Half Plate, requires separate power cable	\$1,550.00

## Standard Features

- Works with any basic digital weight indicator
- Excitation to load cell(s) provided by the transmitter, not the indicator
- Each transmitter/receiver set is individually paired
- Serial communication cable included with all transmitters
- IP68 milled aluminum enclosure

(Contact MSI for application consultation)

## Specifications

### Power:

MSI-7000: 5-6 VDC, 7-36 VDC, 85-265 VAC  
 MSI-7001: 5-6 VDC, 7-36 VDC, 85-265 VAC  
 MSI-7000HD: 7-36 VDC, 9-36 VDC, 85-265 VAC  
 MSI-7001HD: 5-6 VDC, 7-36 VDC, 9-36 VDC, 85-265 VAC

### Excitation Voltage:

Transmitter: +4.8 VDC, 16 x 350 ohm or 32 x 700 ohm load cells

### Standard Antenna:

1/2 wave 2dBi, articulated

### Frequency:

Direct sequence spread spectrum at 2.4 GHz, 802.15.4

### Effective Range:

Typically 100 to 300 ft, line of sight; for longer range consult factory

### Communication Ports:

Full duplex RS-232

### Circuit Protection:

RFI, EMI, ESD protection

### Operating Temperature:

-40 °F to 185 °F (-40 °C to 85 °C)

### Rating/Material:

MSI-7000/MSI-7001:  
 IP68, die-cast aluminum enclosure  
 MSI-7000HD/MSI-7001HD:  
 IP68, durable milled aluminum enclosure

### Additional RF Options:

Wi-Fi  
 802.15.4  
 FHSS

### Warranty:

One-year limited

# TranSend™ MSI-7001HD

Wireless Load Cell Interface System



## Standard Features

- Works with any basic digital weight indicator
- Excitation to load cell(s) provided by the transmitter, not the indicator
- Each transmitter/receiver set is individually paired
- Serial communication cable included with all transmitters
- IP68 milled aluminum enclosure

(Contact MSI for application consultation)

## Specifications

### Power:

MSI-7000: 5-6 VDC, 7-36 VDC, 85-265 VAC  
 MSI-7001: 5-6 VDC, 7-36 VDC, 85-265 VAC  
 MSI-7000HD: 7-36 VDC, 9-36 VDC, 85-265 VAC  
 MSI-7001HD: 5-6 VDC, 7-36 VDC, 9-36 VDC, 85-265 VAC

### Excitation Voltage:

Transmitter: +4.8 VDC, 16 x 350 ohm or 32 x 700 ohm load cells

### Standard Antenna:

1/2 wave 2dBi, articulated

### Frequency:

Direct sequence spread spectrum at 2.4 GHz, 802.15.4

### Effective Range:

Typically 100 to 300 ft, line of sight; for longer range consult factory

### Communication Ports:

Full duplex RS-232

### Circuit Protection:

RFI, EMI, ESD protection

### Operating Temperature:

-40 °F to 185 °F (-40 °C to 85 °C)

### Rating/Material:

MSI-7000/MSI-7001:  
 IP68, die-cast aluminum enclosure  
 MSI-7000HD/MSI-7001HD:  
 IP68, durable milled aluminum enclosure

### Additional RF Options:

Wi-Fi  
 802.15.4  
 FHSS

### Warranty:

One-year limited

## Part Number/Price

Part #	Description	Est. Weight	Price
<b>Transmitters</b>			
<b>5-6 VDC</b>			
178010	Two-channel 5-6VDC, 802.15.4		\$1,240.00
178018	Two-channel 5-6VDC, Wi-Fi		\$1,340.00
<b>7-36 VDC</b>			
178011	Two-channel 7-36VDC, 802.15.4		\$1,325.00
178019	Two-channel 7-36VDC, Wi-Fi		\$1,350.00
<b>9-36 VAC Isolated</b>			
178012	Two-channel 9-36VDC isolated, 802.15.4		\$1,340.00
178020	Two-channel 9-36VDC isolated, Wi-Fi		\$1,425.00
<b>85-265 VAC</b>			
178021	Two-channel 85-265VAC, 802.15.4		\$1,370.00
178017	Two-channel 85-265VAC, Wi-Fi		\$1,400.00

## Options/Accessories

Part #	Description	Price
162172	Charger, TranSend™ for 6 V SLA battery	\$70.00
162173	Battery, TranSend 6 V SLA	\$135.00
162175	Enclosure, TranSend for 6 V SLA battery	\$350.00
160109	AC adapter, TranSend 6 V	\$59.00
143531	Power cord, 6 V SLA battery charger EU	\$31.00
143533	Power cord, 6 V SLA battery charger, Australia	\$54.00
143534	Power cord, 6 V SLA battery charger, UK	\$47.00
160110	265 VAC to 6 VDC wall adapter US/UK/EU/AUS/China	\$59.00
162178	Antenna extension kit, 6ft coax cable	\$490.00
139309	Antenna kit, long range Omni with 3m coax cable	\$510.00
139310	Antenna kit, corner reflector 9 dbi with 3m coax cable	\$505.00
197013	Antenna extension kit, 20 ft	\$520.00
139311	Antenna kit, corner reflector 12 dbi with 3m coax cable	\$535.00
139312	Antenna kit, Yagi 15 dbi with 3m coax cable	\$415.00
144345	30m coaxial cable, for use with non-vehicle mount antenna kits	\$480.00
139313	Antenna kit, vehicle mount. 5 dbi with 5m coaxial cable	\$160.00
148624	RS-232/RS-485 serial cable	\$140.00
143348	Cordset IP68, 5-pin	\$135.00

INDICATORS / CONTROLLERS



**Standard Features**

- Works with any basic digital weight indicator
- Excitation to load cell(s) provided by the transmitter, not the indicator
- Each transmitter/receiver set is individually paired and will not interfere with another set
- RS-232 cable included with transmitter and paired set

**Specifications**

- Power:**  
5 to 6 VDC
- Excitation Voltage:**  
Transmitter: +4.8 VDC, 16 × 350 ohm or 32 × 700 ohm load cells
- Standard Antenna:**  
1/2 wave 2dBi, articulated
- Frequency:**  
Direct sequence spread spectrum at 2.4 GHz, 802.15.4 license free
- Effective Range:**  
Typically 100 ft - 300 ft  
For longer range, consult factory
- Circuit Protection:**  
RFI, EMI, ESD protection
- Communication Ports**  
Full duplex RS-232
- Temperature Range:**  
-40 °F to 185 °F (-40 °C to 85 °C)
- Enclosure:**  
NEMA Type4 (IP66), aluminum black powder coated (excludes wall cube model)
- Warranty:**  
Two-year limited

**Part Number/Price**

Part #	Description	Est. Weight	Price
<b>Transmitters</b>			
<b>5 to 6 VDC Power Input</b>			
160331	Single-channel transmitter, 5 to 6 VDC no relays. RF 802.15.4, 2.4 GHz 5-6 VDC	2 lb	\$905.00
<b>Receivers</b>			
<b>5 to 6 VDC Power Input</b>			
160338	Receiver to provide a mV signal to a digital weight indicator. RF 802.15.4, 2.4 GHz 5-6 VDC power pnt	2 lb	\$930.00
<b>Paired Set</b>			
<b>5 to 6 VDC Power Input</b>			
165312	Includes one single-channel transmitter and one receiver, paired. Includes an RS-232 cable, a 2 m load cell cable and 2 m indicator cable/power source sold separately	5 lb	\$1,920.00

**Options/Accessories**

Part #	Description	Price
162172	Charger, SendIt 6 V SLA battery	\$70.00
162173	Battery, SendIt 6 V SLA	\$135.00
162175	Enclosure, SendIt for 6 V SLA battery	\$350.00
145548	Cord set, 13 ft (4 m)	Consult
150964	RS-232 13 ft (4 m) serial cable with nine-pin (female) connector	\$200.00
150965	RS-232 13 ft (4 m) serial cable with nine-pin (male) connector	\$180.00
160109	AC adapter, SendIt 6V	\$59.00
162177	Cordset. Pre-wired for use with single channel transmitters or non-relay based receivers	\$135.00
162184	Load cell connector. Field wireable, 4-6 mm straight. For use with single channel transmitters	\$62.00
162185	Load cell connector. Field wireable, 6-8 mm straight. For use with single channel transmitters	\$62.00
162186	Load cell connector. Field wireable, 4-6 mm right angle. For use with single channel transmitters	\$62.00
162187	Load cell connector. Field wireable, 6-8 mm right angle. For use with single channel transmitters	\$62.00
162178	Antenna kit, remote standard antenna, 5 ft	\$490.00
139309	Antenna kit, long range Omni with 3 m coax	\$510.00
139310	Antenna kit, corner reflector 9 dbi with 3 m coax	\$505.00
139311	Antenna kit, corner reflector 12 dbi with 3 m coax	\$535.00
139312	Antenna kit, Yagi 15 dbi with 3 m coax	\$415.00



**Standard Features**

- Durable industrial-grade enclosure with mounting flanges
- Reliable communications up to 115 to 200 kbps
- Supports point-to-point and point-to-multipoint applications

**Specifications**

**Power:**  
 Input: 7 to 18 VDC  
 Output: 5 to 1,000 mW variable

**Frequency Band:**  
 902 to 928 MHz

**Modulation:**  
 FHSS FSK

**Interface:**  
 Standard: RS-232  
 ConnexLink PRO: RS-485

**Serial Interface Data Rate:**  
 Up to 115 to 200 kbps

**Current Draw (at 12 VDC):**  
 RF -Standard Connexlinks: 400 mA  
 Pro: 325 mA TX, 20 mA RX

**Power Supply:**  
 AC transformer via 6 ft cable (183 cm)

**Electrical Requirements:**  
 Line voltage 100 to 120 V; frequency 50/60 Hz  
 (240 V outside the US)

**Channels:**  
 32 selectable channels

**Security:**  
 1-byte system ID, DES

**Sensitivity:**  
 -99dB at full RF data rate

**Range (line-of-sight):**  
 Up to 20 miles (32 km)

**Dimensions:**  
 4.75 × 2.75 × 1.17 in  
 (121 × 70 × 30 mm)

**Temperature Range:**  
 -40 °F to 176 °F (-40 °C to 80 °C)

**Humidity (non-condensing):**  
 10% to 90%

**Weight:**  
 <6 oz (<170 g)

**Antenna Connector:**  
 Reverse polarity SMA jack (female)

INDICATORS / CONTROLLERS

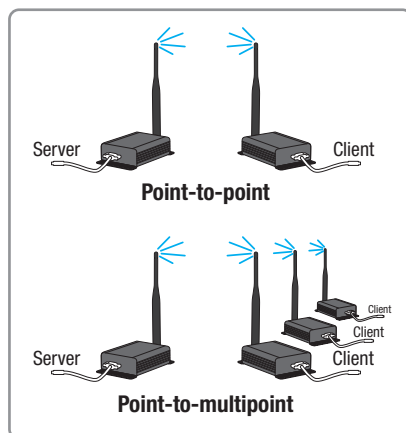
**Part Number/Price**

Part #	Description	Price
86134	ConnexLink RF device 900MHz RF device server/client (requires minimum of 2)	\$365.00
105776	ConnexLink Pro 900MHz 1W, wireless transceiver with large buffer	\$450.00
129662	Paired ConnexLink	\$735.00

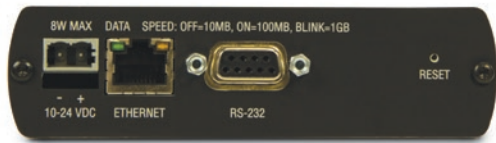
**Options/Accessories**

Part #	Description	Price
78827	Power supply, 115 VAC input/6 VDC output	\$65.00
103979	Antenna 1/2 Wave, 2 dBi, 7 in for 900MHz radios	\$55.00
119448	Yagi antenna	\$165.00
119449	Cable, Yagi antenna 20ft*	\$95.00
110538	ConnexLink FRP enclosure with heater	\$1,565.00
110539	ConnexLink Pro enclosure with heater	\$1,565.00
22436	RS-232 nine-pin female to blunt end	\$70.00
98084	DC power cable option	\$15.75

\* max length per manufacturer specs



INDICATORS / CONTROLLERS



## Standard Features

- Serial and Ethernet connectivity
- Configures as 802.11 a/b/g access point, wireless bridge, wireless repeater and client
- Secure WPA2/128 bit encryption
- Dual band 2.4 GHz or 5 GHz bands
- Robust design for extreme temperatures (-40 °C to 75 °C) high vibration/shock and hazardous locations (UL Class 1, Division 2, Atex Zone 2)

## Specifications

### Frequency Band (varies by country):

- 2.412 GHz to 2.462 GHz (FCC)
- 2.412 GHz to 2.472 GHz (ETSI)
- 5.150 GHz to 5.250 GHz (FCC/ETSI)
- 5.725 GHz to 5.850 GHz (FCC)

### Wireless Standards:

802.11a, 802.11b, 802.11g and 802.11i

### Programmable (varies by country):

- 2.4 GHz: up to 100 mW (20 dBm)
- 5 GHz: up to 64 mW (18 dBm)

### Channel Data Rates (modulation):

- 802.11b, 11, 5.5, 2, 1 Mbps (DSSS, BPSK, QPSK, CCK)
- 802.11g: 54, 48, 36, 24, 18, 12, 9, 6 Mbps (OFDM)
- 802.11a: 54, 48, 36, 24, 18, 9, 6 Mbps (OFDM)

### Receiver Sensitivity (Typical):

- 90 dBm at 1 Mbps
- 85 dBm at 11 Mbps
- 82 dBm at 24 Mbps
- 75 dBm at 54 Mbps

### Channels Selection (varies by country):

1 to 13 (802.11a)

### Security:

WPA2 - 802.11i with 128 bit AES-CCM legacy WPA TKIP, WEP support MAC ID filter, admin password

## Part Number/Price

Part #	Description	Price
166630	Industrial hot spot, 802.11abg*	\$2,155.00
161954	Industrial hot spot in FRP enclosure*	\$3,195.00
161955	Paired radios for serial data tunneling*	\$4,325.00

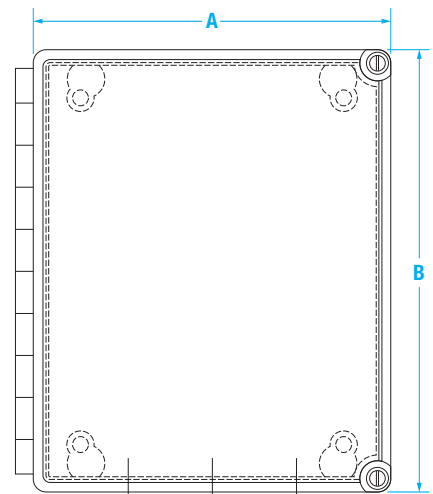
\*Special ordered power supplies and antennas required

## Dimensions

FRP Enclosure			
A	8.5 in (216 mm)	B	10.5 in (267 mm)



161954 Industrial Hot Spot





# Aluminum Keypads



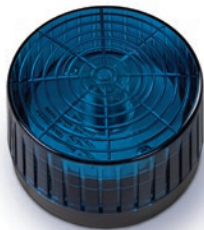
**For Use With:**

- Kiosk systems
- 920i® with custom software

**Part Number/Price**

Part #	Description	Price
36914	Vandal-proof cast aluminum keypad	\$175.00
38472	Keypad encoder	\$430.00

## Visible Lights and Audible Alarms



Blue strobe  
(reference photo only)

Product may vary from photo



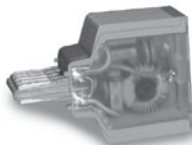
Buzzer  
(reference photo only)

**Part Number/Price**

Part #	Description	Price
<b>Visible Lights and Audible Alarms</b>		
22838	Buzzer, 80 dB, steady	\$145.00
22839	Buzzer, 80 dB, pulse	\$145.00
156106	Buzzer box, 115 VAC, FRP enclosure	\$795.00
43931	Strobe lights, red	\$225.00
43930	Strobe lights, amber	\$225.00

INDICATORS /  
CONTROLLERS

## Din Rail Transient Protector & Fuse



Surge Suppressor



Terminal Block

**Part Number/Price**

Part #	Description	Price
<b>Din Rail Transient Protector and Fuse</b>		
62965	Terminal block	\$32.00
53895	Surge suppressor	\$225.00

## Manual Pushbuttons/Pushbutton Switches



- Key switches
- Lighted pushbuttons
- Pilot lights
- Two- and three-position switches
- Colored pushbuttons
- Emergency stop mushroom switches
- Custom legend plates

**Part Number/Price**

Part #	Description	Price
<b>Manual Pushbuttons/Pushbutton Switches</b>		
N/A	Operator and contact block combinations	Consult

# Tripp-Lite USB to Serial Converter/Adapter

Serial Adapters



## Standard Features

- Portable design—no AC power required
- Simple plug-and-play setup
- Supports data transfer rates of more than 500 kbps
- Hot swappable

## Specifications

**Data Transfer Rate:**  
More than 500 kbps

**LED:**  
Data transfer/handshaking (orange)

**Power Consumption:**  
450 Mw USB

**Specifications:**  
V1.1 compliant

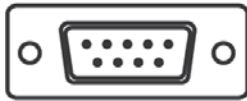
INDICATORS / CONTROLLERS

## Part Number/Price

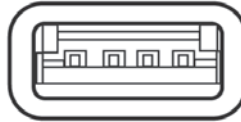
Part #	Description	Est. Weight	Price
178501	Adapter,USB Serial FTDI US232R-100, 3.28 ft, iDim Series for use with RLWS indicator and Postal Scales	-	\$60.00
153603	USB to serial converter	1 lb	\$105.00
22436	Cable DB9F to blunt end, 6 ft	1 lb	\$70.00

## DB-9 PIN Assignments:

PIN	Assignment	PIN	Assignment
1	CD	6	DSR
2	RXD	7	RTS
3	TXD	8	CTS
4	DTR	9	RI
5	GND		



DB9 (Male) Connector



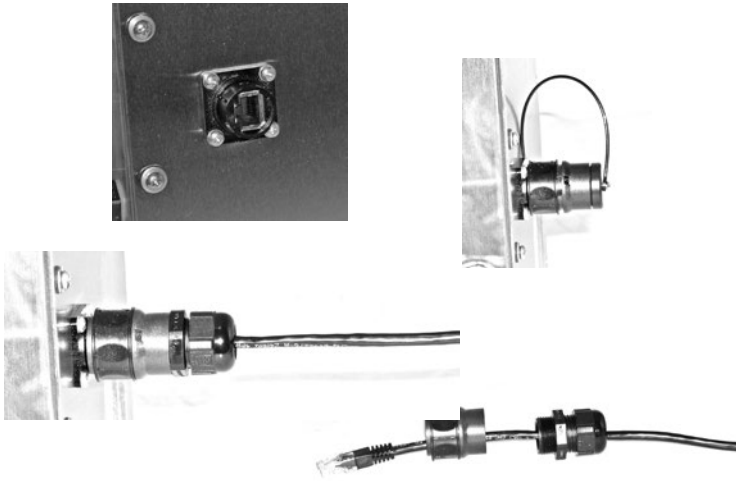
Type A USB Connector



USB to Serial Adapter

## DB-9 PIN Assignments:

PIN	Assignment	PIN	Assignment
1	CD	6	DSR
2	RXD	7	RTS
3	TXD	8	CTS
4	DTR	9	RI
5	GND		



**Part Number/Price**

Part #	Description	Price
87326	RJF 544 kit	\$200.00
87285	Square flange female connector	\$45.00
87286	Dust cap for harsh environment receptacles	\$55.00
87287	Gasket for harsh environment receptacles	\$5.25
87288	Ethernet plug	\$45.00
87289	Dust cap for harsh environment plugs	\$65.00

**Standard Features**

- Allows an Ethernet Class D/Category 5e connection for 10Base-T, 100Base-TX, or 1000Base-T networks in harsh environments
- Sealed against fluids and dusts (IP67)
- Shock, vibration and traction resistant
- No cabling operation in the field
- No tools required
- Improved EMI protection
- Uses a standard RJ-45 cordset in protective composite plug to protect from shocks, dust and fluids
- In-field cabling and grounding not necessary

**Specifications**

**Data Transmission:**

10Base-T, 100Base-TX and 1000Base-T networks  
 Category 5e per TIA/EIA 568B and ClassD per ISO/IEC 11801

**Mechanical:**

Quick push/pull coupling  
 RJ-45 cordset retention in the plug: 100N in the axis  
 Mating cycles: 500 min

**Environmental Protection:**

Sealing: IP67  
 Salt Spray: > 1000h  
 Fire retardant/low smoke: UL94 V0 and NFF 16 16102, DIN 5510-2  
 Vibrations: 10 to 500 Hz, 10g, 3 axes:  
 no discontinuity > 10 nanos  
 Thermal Shock: 5 cycles at -40 °C / +100 °C

**Operating Temperature:**

-40 °F to 185 °F (-40 °C to 85 °C)

**Applications:**

Telecom equipment, video control, robotics,  
 industrial process control, CNC machines, motion  
 control, tele-maintenance

INDICATORS /  
 CONTROLLERS



**Standard Features**

- Converts serial data such as bar code reader or scale into keyboard input to software program
- Works with PC and MAC® computers
- Requires no driver installation (identifies itself as additional HID keyboard)
- Cable draws power from USB port (no external power supply needed)
- Test cable to be connected with adapter scale cable or connector
- Bluetooth® version allows connection to devices like iPad®, Android® tablets and smart cell phones

**Specifications**

**Power:**  
USB power, no external power supply

**Baud Rate:**  
9600

**Color:**  
Black

**Cable Length:**  
74 in (1,880 mm)

**Bluetooth Cable Length:**  
16 in (406 mm)

**Host:**  
PC and MAC compliant

**Connection:**  
DB9 male connector, Pin 2 RX, Pin 3 TX and Pin 5 Ground USBA connector

**Part Number/Price**

Part #	Description	Est. Weight	Price
119919	RS-232/USB serial cable	1 lb	\$190.00
132452	RS-232/USB serial cable plus Bluetooth®	1 lb	\$275.00

**Options/Accessories**

Part #	Description	Price
119064	Slimline null modem, gender changer DB9 female to female	\$12.50
22436	Blunt-end to DB9 female, straight cable	\$70.00
50749	DB9 female to DB9 female	\$60.00
130789	Null model DB9 adapter female to male	\$14.50



**Standard Features**

- LED onboard for testing data transmission
- Captures data and stores it on a USB flash drive (up to 8 GB not included)
- Transfer data to your PC using the USB flash drive
- Text file examples (actual text will be dependent on transmitted file)
- 02:50PM  
11/13/2012  
GROSS 58 lb
- 02:50PM  
11/13/2012  
GROSS 68 lb

**Specifications**

**Power:**  
Requires 5 VDC

**Baud Rate:**  
9600

**Data Bits:**  
8

**Parity:**  
None

**Customer Supplied:**  
Power and USB flash drive

**Industrial Enclosure Option:**  
7.5 × 7.5 × 4.5 in  
(19 × 19 × 12 cm)  
Latch for lock

**Warranty:**  
One-year limited

INDICATORS /  
CONTROLLERS

**Part Number/Price**

Part #	Description	Price
153265	go-between board	\$435.00
153266	go-between industrial enclosure	\$630.00
153267	go-between desk enclosure	\$525.00
158778	go-between desk enclosure, EU power supply	\$525.00

**Options and Accessories**

Part #	Description	Price
154797	Adapter, power 5 VDC 2A 90-264 VAC, U.S. plug, UL/cUL	\$37.00
170935	Overlay, desk	\$79.00





# Hazardous Location Instrumentation

---

## TABLE OF CONTENTS

Explosive Environment Equipment Policy .....	572
Hazardous Area Classification .....	573
Explosive Environment Solutions .....	574
Hazardous Atmospheres .....	575
882IS/882IS Plus .....	576
<i>Intrinsically Safe Digital Weight Indicator</i>	
EL232 XPCD .....	580
<i>Explosion Proof Remote Serial Display</i>	
Intrinsic Safety Barriers .....	581

*Product names, logos, brands and other trademarks featured  
or referred to within this publication are the property of their respective trademark holders.*

# Explosive Environment Equipment Policy

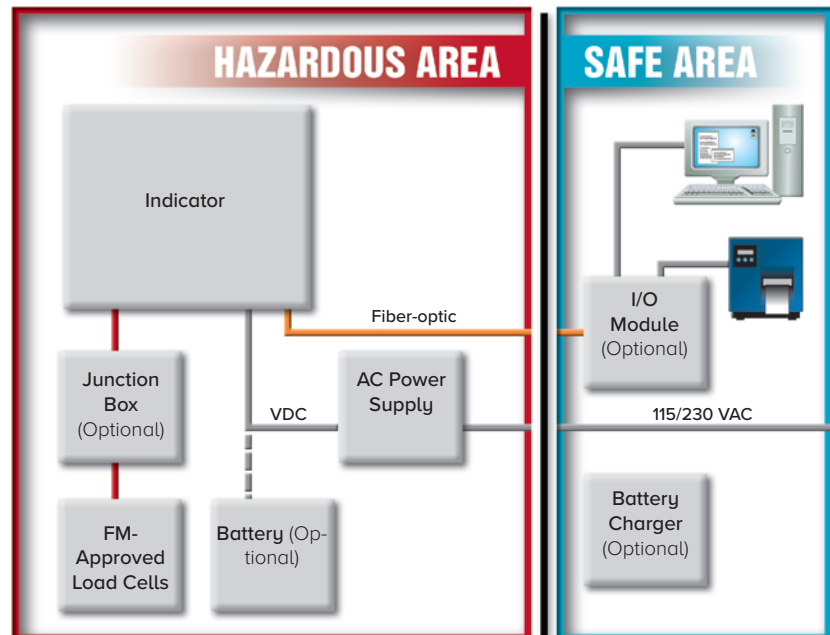


Caution: The equipment contained within this Explosive Environment section requires greater attention to specification and installation guidelines. Improper specification, installation or service of these products can result in loss of equipment or serious injury.

Rice Lake Weighing Systems has assembled the very best intrinsically safe and explosion-proof equipment. In order to properly specify, install and service this equipment, it is necessary that our distributors understand and appreciate the possible risks involved.

Persons involved in selection and installation of intrinsically safe equipment should have knowledge of but not limited to the following:

- Explosive environment designations: Class, Division and Group
- Standards and codes applicable to hazardous environment equipment
- Equipment liability
- Theory of intrinsically safe, explosion-proof and purged systems
- Equipment specification guidelines
- Proper installation procedures
- Service precautions
- NFPA 70, "National Electrical Code (NEC) Handbook"
- NFPA 496, "Classification of Gases, Vapors, and Dusts for Electrical Equipment in Hazardous (Classified) Locations"
- ANSI/UL 913, "Standard for Intrinsically Safe Apparatus and Associated Apparatus for use in Class I, II and III, Division 1 Hazardous Locations"
- ANSI/ISA RP 12.6, "Installation of Intrinsically Safe Instrument Systems for Hazardous (Classified) Locations"
- FM Approval Standard 3610, "Approval Standard, Intrinsically Safe Apparatus and Associated Apparatus for use in Class I, II and III, Division 1 Hazardous Locations"
- FM Approval Standard 3615, "Approval Standards, Explosion Proof Electrical Equipment"
- "Electrical Installations in Hazardous Locations"



Plant Safety Engineers and Certified Electricians should always be involved in the specification and installation of any explosive environment equipment.

Please see Hazardous Area Classification on page 573 for assistance in selecting hazardous area control equipment for your application requirements.

# Hazardous Area Classification

For PDF version visit [www.ricelake.com](http://www.ricelake.com)



For assistance in selecting hazardous area control equipment for your application requirements, please complete this form and submit, along with a description of the application, to:

**Rice Lake Weighing Systems**

Attn: Hazardous Environment  
 230 West Coleman Street  
 Rice Lake, WI 54868  
 Telephone: 715-234-9171 • Fax: 715-234-6967

RLWS File #: _____	Date: _____	For Rice Lake Office Use Only
Sales Order #: _____	Checked By: _____	
Equipment PN#(s) & Serial Number(s): _____		
Factory Mutual Not Applicable _____	(International Orders Only) _____	

**HAZARDOUS LOCATION INSTRUMENTATION**

**RICE LAKE CUSTOMER INFORMATION:**

Rice Lake Customer Name: \_\_\_\_\_ Customer Number: \_\_\_\_\_

Address: \_\_\_\_\_

City: \_\_\_\_\_ State: \_\_\_\_\_ Zip: \_\_\_\_\_

Telephone: ( \_\_\_\_\_ ) \_\_\_\_\_ Fax: ( \_\_\_\_\_ ) \_\_\_\_\_

Contact Name: \_\_\_\_\_  
(Printed name) (Signature) (Date)

Authorized Signature: \_\_\_\_\_  
(Printed name) (Signature) (Date)

**END USER INFORMATION:**

End User Company Name: \_\_\_\_\_

Address: \_\_\_\_\_

City: \_\_\_\_\_ State: \_\_\_\_\_ Zip: \_\_\_\_\_

Telephone: ( \_\_\_\_\_ ) \_\_\_\_\_ Fax: ( \_\_\_\_\_ ) \_\_\_\_\_

Contact Name: \_\_\_\_\_  
(Printed name) (Signature) (Date)

Authorized Signature: \_\_\_\_\_  
(Printed name) (Signature) (Date)

Title: \_\_\_\_\_

(The following information is to be defined and completed by the END USER'S plant safety engineer or other authorized party)

Hazardous Area Classification: Class \_\_\_\_\_, Division \_\_\_\_\_, Group \_\_\_\_\_, Temperature Class \_\_\_\_\_

Zone \_\_\_\_\_, Group \_\_\_\_\_, Temperature Class \_\_\_\_\_

Specific Hazard/Material (please print): \_\_\_\_\_

Defining Individual: \_\_\_\_\_  
(Printed name) (Signature) (Date)

Defining Authority (Title): \_\_\_\_\_

Please retain a copy of this completed form for your records.

# Explosive Environment Solutions



Caution: The equipment contained within this Explosive Environment section requires greater attention to specification and installation guidelines. Improper specification, installation or service of these products can result in loss of equipment or serious injury.

## EXPLOSION PROOF SYSTEM

*What is an explosion-proof indicator?*

It is simply a digital weight indicator enclosed in a special case. The purpose of an explosion-proof indicator is not, as the name suggests, to protect the indicator. Instead, the case prevents any explosion WITHIN the case from causing subsequent fire or explosion in the surrounding atmosphere.

For example, in a grain elevator application, combustible dusts (Class II hazardous atmosphere) may be present. A spark in a non-explosion-proof indicator could ignite an elevator-wide explosion. However, with an explosion-proof indicator, the spark (or even an explosion) is contained within the case. The hazardous atmosphere cannot be ignited, and the elevator is protected.

### ADVANTAGES

- Explosion containment
- Requires low maintenance
- No electronics
- No moving parts

### DISADVANTAGES

- Cannot indicate failure of containment capability
- Cost of protection per cubic foot increases with enclosure size
- Promotes condensation
- Cumbersome, limited access
- Causes harmful heat buildup
- Limited sizes
- Bulky designs
- Excessive weight

## PURGE SYSTEM

Purged systems are ideal for hazardous environments and use positive pressure to prevent particles, gases and fibers from entering the controller enclosure. As an added safeguard, a differential pressure switch automatically cuts off power when the pressure falls below the acceptable level. Type X, Y and Z purging hardware is available that meets National Fire Protection Association (NFPA) article 496 guidelines.

The three configurations are as follows:

**Type X Pressurizing:** Reduces the classification within the protected enclosure from Division 1 to Safe.

**Type Y Pressurizing:** Reduces the classification within the protected enclosure from Division 1 to Division 2.

**Type Z Pressurizing:** Reduces the classification within the protected enclosure from Division 2 to Safe.

### ADVANTAGES

- Reduces heat buildup
- Inhibits metal corrosion
- Requires low maintenance
- Increases equipment longevity
- Allows fast access to equipment
- Reduces moisture and dust buildup
- Reduces classification within enclosure
- Continuous system status indication
- Protects enclosures up to 450 cubic feet
- Allows use of any enclosure shape
- Cost of protection per cubic foot decreases with enclosure size

### DISADVANTAGES

- Contains moving parts
- Requires instrument air supply
- Some systems contain electronics
- Some systems require electrical power

## INTRINSICALLY SAFE BARRIER SYSTEM

Intrinsically safe load cells and safety barriers take the explosion proof principle a step further. Intrinsic safety ensures the indicator's electrical wiring and components are, by design, incapable of releasing enough energy to ignite flammable or combustible atmospheric mixtures in their most easily ignitable concentrations. In short, an intrinsically safe device eliminates the conditions for an explosion, no matter what the circumstances.

### ADVANTAGES

- Limits energy to device
- Requires low maintenance
- No moving parts
- Ideal for sensors

### DISADVANTAGES

- One barrier is required for each conductor
- Project cost increases with number of conductors
- Offers no protection against heat, moisture and dust
- Requires protection or installation in nonclassified area
- 24 VDC, 50 mA maximum power and signal strength limit

# Hazardous Atmospheres

(for reference only)

Hazardous atmospheres are divided into three general classes and two divisions:

**CLASS I:**

Flammable gases or vapors

**CLASS II:**

Combustible dusts

**CLASS III:**

Ignitable fibers or flyings

**DIVISION 1:**

Hazard exists under normal conditions

**DIVISION 2:**

Hazardous material is handled, processed or stored. Hazard is not normally present, but may be released due to accident or equipment malfunction.

**CLASS I:**

Flammable gases or vapors

**CLASS I, GROUP A:**

- Acetylene

**CLASS I, GROUP B:**

- Acrolein (inhibited)
- Arsine
- Outadiene
- Ethylene oxide
- Hydrogen
- Manufactured gases containing more than 30% hydrogen by volume
- Propylene oxide
- Propylnitrate

**CLASS I, GROUP C:**

- Acetaldehyde
- Allyl alcohol
- N-butylaldehyde
- Carbon monoxide
- Crotonaldehyde
- Cyclopropane
- Diethyl ether
- Diethylamine
- Epichlorohydrin
- Ethylene
- Ethylenimine
- Ethyl mercaptan
- Ethyl sulfide
- Morpholine
- 2-nitropropane
- Tetrahydrofuran
- Unsymmetrical dimethyl hydrazine
- (UMDH 1, 1-dimethyl hydrazine)

**CLASS I, GROUP D:**

- Acetic acid
- Acetone
- Acrylonitrile
- Ammonia
- Benzene
- Butane
- 1-butanol (butyl alcohol)
- 2-butanol (secondary butyl alcohol)
- N-butyl acetate
- Isobutyl acetate
- Di-isobutylene
- Ethane
- Ethanol (ethyl alcohol)
- Ethyl acetate
- Ethyl acrylate (inhibited)
- Ethylene diamine (anhydrous)
- Ethylene dichloride
- Ethylene glycol monomethyl ether
- Gasoline
- Heptanes
- Hexanes
- Isoprene
- Isopropyl ether
- Mesityl oxide
- Methane (natural gas)
- Methanol (methyl alcohol)
- 3-methyl 1-butanol (isoamyl alcohol)
- Methyl ethyl ketone
- 2-methyl 1-propanol (isobutyl alcohol)
- 2-methyl 2-propanol (tertiary butyl alcohol)
- Petroleum naphtha
- Pyridine
- Octanes
- Pentanes
- 1-pentanol (amyl alcohol)
- Propane
- 1-propanol (propyl alcohol)
- 2-propanol (isopropyl alcohol)
- Propylene
- Styrene
- Toluene
- Vinyl acetate
- Vinyl chloride
- Xylenes

**CLASS II:**

Combustible Dusts

**CLASS II, GROUP E**

Atmospheres containing:

- Aluminum, magnesium or their commercial alloys
- Metals of similarly hazardous characteristics with a resistivity of 100 ohm per centimeter

**CLASS II, GROUP F**

Atmospheres containing:

- Carbon black, charcoal, coal or coke dusts containing more than 8 percent total volatile material
- Dusts sensitized by other materials, presenting an explosion hazard and having a resistivity greater than 100 ohm per centimeter and equal to or less than 100 megohm per centimeter

**CLASS II, GROUP G**

Atmospheres containing:

- Flour
- Starch
- Grain
- Combustible plastics or chemical dusts having resistivity greater than 1 megohm per centimeter

**CLASS III:**

Ignitable Fibers or Flyings

Atmospheres containing:

- Rayon
- Cotton
- Other textiles

Combustible fiber manufacturing and processing plants such as:

- Cotton gins
- Cottonseed mills
- Flax processing plants
- Clothing manufacturing plants
- Sawmills
- Other woodworking locations.

Easily ignitable fibers including:

- Rayon
- Cotton (including cotton linters and cotton wastes)
- Sisal or henequen
- Istle
- Jute
- Hemp
- Tow
- Cocoa
- Oakum
- Baled waste kapok
- Spanish moss
- Excelsior
- Sawdust
- Wood chips

# 882IS/882IS Plus

Intrinsically Safe Digital Weight Indicator

HAZARDOUS LOCATION  
INSTRUMENTATION



## Approvals



*\*UL is only applicable to 882IS I/O and battery charger*

## Standard Features

- LCD display with white LED backlight
- T4 temperature rating
- Battery life display icon
- Numeric keypad (882IS Plus)
- Duplex fiber -optic interface
- Power ON/OFF; battery save mode
- Configurable local/remote mode
- I/O module option: one serial port, optional analog output, optional fieldbus cards, Ethernet TCP/IP
- Time & date (requires I/O module)
- Setpoint functionality using secondary 920i indicator
- FM Entity Approved for use in hazardous locations per Rice Lake Weighing Systems control drawing file number 180948

Rice Lake Weighing Systems warrants that all Rice Lake Weighing Systems intrinsically safe (IS) equipment and systems installed by a qualified electrician will operate per written specifications as confirmed by the distributor/OEM and accepted by Rice Lake Weighing Systems. All systems and components are warranted against defects in materials and workmanship for one year. All Rice Lake Weighing Systems intrinsically safe equipment carries a Factory Mutual approval and is documented on various control drawings. Each device is manufactured by Rice Lake Weighing Systems factory authorized personnel. To preserve the warranty and Factory Mutual approval, all repairs or replacement of circuit boards or components housed within the enclosures must be performed by Rice Lake Weighing Systems factory authorized personnel.



**CAUTION!** The equipment contained within this Explosive Environment section requires greater attention to specification and installation guidelines. Improper specification, installation or service of these products can result in loss of equipment or serious injury.

## Specifications

### Power:

Input: 5.8 to 7.9 VDC, 100 to 175 mA

### Power Consumption:

0.25 W

### Battery (optional):

60 hours with 4 × 350 ohm load cells  
80 to 100 hours with 1 × 350 ohm load cell  
8 to 10 hour charging time

### Load Cell Excitation:

3.0 VDC at 87.5 ohm, 4.6 VDC at 700 ohm

### Load Cell Current:

34 mA 4 × 350 ohm load cells or 8 × 700 ohm load cells

### Load Cell Cabling:

Four- and six- wire with remote sensing (recommended)

### Analog Signal Input Range:

-0.5 mV/V to 4.0 mV/V

### Analog Signal Sensitivity:

0.2  $\mu$ V/graduation minimum  
1.5  $\mu$ V/graduation recommended

### Resolution:

Internal: 1,000,000 counts

Display: 10,000

The maximum number of allowed graduations will vary by application

### Conversion Rate:

60 updates/second

### Annunciators:

Center of Zero, Gross, Net, Motion, lb, kg, oz, g

### Motion Band:

Configurable to  $\pm 1$  or  $\pm 3$  graduations,  
1 second delay (or Off)

### Display Increments:

1, 2, 5

### Display:

Seven-digit, seven-segment LCD display 121 × 24 dot matrix messaging area with white LED backlight

### Keys/Buttons:

Flat membrane panel, tactile feel

**882IS:** Zero, Gross/Net, Tare, Print, Units Conv, Start, Stop, On/Off

**882IS Plus:** Zero, Gross/Net, Tare, Print, Units Conv, Start, Stop, Full numeric keypad, On/Off

### Temperature:

14 °F to 104 °F (-10 °C to 40 °C)

### Rating/Material:

IP66 enclosure

Stainless steel

### Weight:

6.1 lb (2.8 kg)

### Warranty:

One-year limited

### Intrinsic Safety:

FM/cFM

Class I,II,III, Division 1, Groups ABCDEFG T4

Class I, Zone 0 AEx/Ex ia IIC T4 Ga

Zone 21 AEx/Ex ib IIC T135°C Db

Ta = -10 °C to 40 °C (14 °F to 104 °F)

ATEX/IECEx

II 1 G Ex ia IIC T4 Ga

II 2 D Ex ib IIC T135°C Db

### Approvals:

NTEP CC 19-015

Measurement Canada AM-6124C

OIML R76/2006-A-NL1-21.11

EU Test Certificate T11166

CE Marked

UKCA

cULus Listed\*

FM Entity

EX-ATEX

IECEx

*\*cULus is only applicable to 882IS I/O and battery charger*



# 882IS/882IS Plus

Intrinsically Safe Digital Weight Indicator

## Part Number/Price

Part #	Description	Price
<b>882IS</b>		
195091	882IS 7.5VDC with standard tilt stand	\$1,525.00
185288†	882IS with battery and charger (North American plug)	\$2,455.00
194231††	882IS with battery and charger (EU plug)	\$2,455.00
196273†††	882IS with battery and charger (AU plug)	\$2,455.00
185290	882IS with power supply with 10 ft cable	\$2,685.00
194235	882IS indicator with power supply and metric thread adapter	\$2,685.00
<b>882IS Plus</b>		
195092	882IS Plus 7.5VDC with standard tilt stand	\$1,525.00
185291†	882IS Plus with battery and charger (North American plug)	\$2,455.00
194233	882IS Plus with battery and charger (EU plug)	\$2,455.00
196274†††	882IS Plus with battery and charger (AU plug)	\$2,455.00
185293	882IS Plus with power supply	\$2,685.00
194236	882IS Plus indicator with power supply and metric thread adapter	\$2,685.00



† US plug (NA) - Type B



†† Euro Plug - Type E



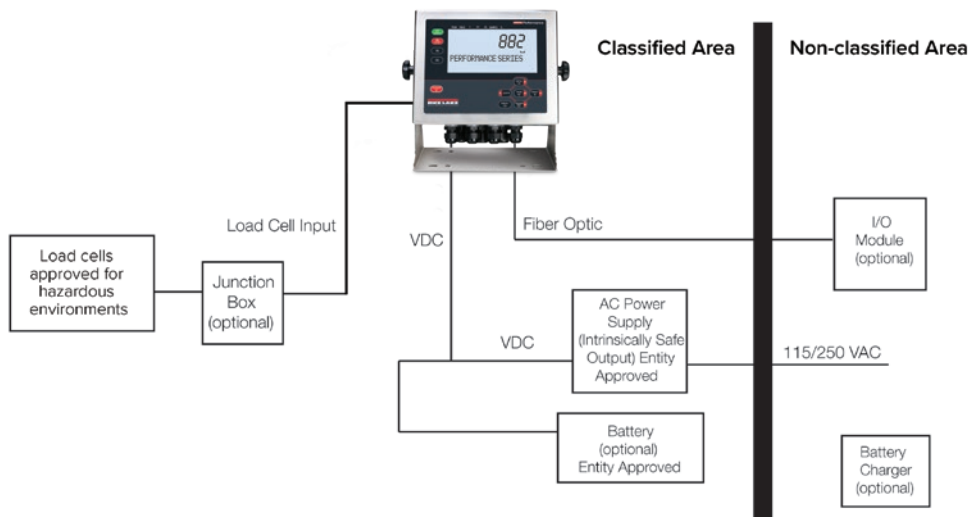
††† BS1363 (UK) - Type G



††† AS 3112 (Australian) - Type I

## Options/Accessories

Part #	Description	Price
180831	Battery option, IS6V2	\$685.00
194191	Battery charger, IS6V2, 100-240 VAC NEMA 5-15 (North American plug)	\$275.00
194189	Battery charger, IS6V2 100-240 VAC (EU plug)	\$275.00
194192	Battery charger, IS6V2 100-240 VAC (UK plug)	\$275.00
197591	Battery charger, IS6V2 100-240 VAC (Australian plug)	\$275.00
180837	Power supply, 882IS mb-EPS-100-240-X2, dual output 6.8 VDC 200mA	\$1,055.00
195109	Power supply, 882IS mb-EPS-100-240-X2, dual output 6.8 VDC 200mA, 1/2 in NPT-M20	\$1,095.00
179668	Cable, M12 power 22 in hazardous location (for battery version)	\$76.00
179669	Cable, M12 power 10 ft hazardous location	\$149.00
179670	Cable, M12 power 50 ft hazardous location	\$185.00
179671	Cable, M12 power 100 ft hazardous location	\$360.00
190979	Lockout device for M12 cable	\$24.00
163751	Tilt stand, 882IS	\$41.00
179678	Tilt stand, 882IS battery option	\$45.00
177850	Panel mount option, gasketed non-NEMA seal	\$215.00
206735	Battery tester, 882IS	\$375.00



Complete Control Drawings available at [www.ricelake.com](http://www.ricelake.com)

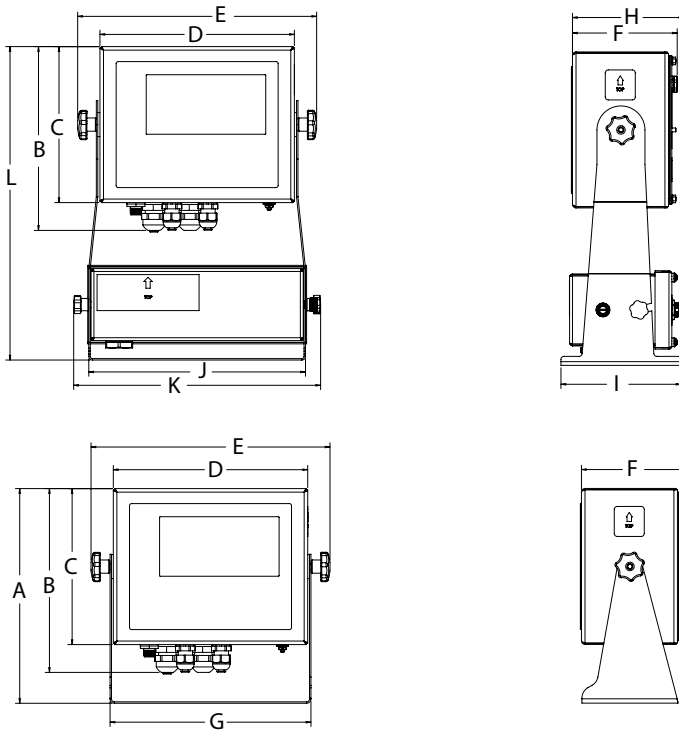
# 882IS/882IS Plus

Intrinsically Safe Digital Weight Indicator

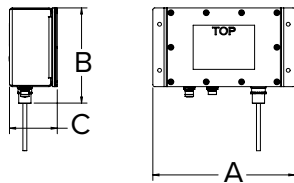
## Dimensions

882IS/882IS Plus			
Without Battery			
A	8.94 in (227 mm)	E	9.96 in (253 mm)
B	7.66 in (195 mm)	F	4.36 in (111 mm)
C	6.50 in (165 mm)	G	8.37 in (213 mm)
D	8.10 in (206 mm)		
With Optional Battery and Tilt Stand			
H	4.64 in (118 mm)	K	10.29 in (261 mm)
I	5.00 in (127 mm)	L	13.06 in (332 mm)
J	9.03 in (229 mm)		

HAZARDOUS LOCATION INSTRUMENTATION



882IS/882IS Plus			
Optional Power Supply			
A	9.25 in (235 mm)	C	3.11 in (79 mm)
B	6.20 in (158 mm)		



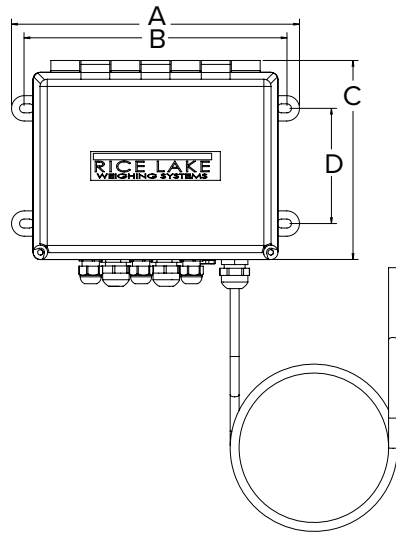
## Optional I/O Module

Part #	Description	Price
177709	Module, 882 Smart I/O interface	\$975.00
196166	Module, 882 Smart I/O (EU power cord)	\$975.00
196769	Option, fiber/RS232 6x6 FRP enclosure, fiber-optic 232 converter, external power supply	\$545.00
196770	Option, fiber/RS422 6x6 FRP enclosure, fiber-optic RS422 converter, external power supply	\$545.00
78026	Cable, plastic optical 100 ft. includes polishing kit	\$175.00
78027	Cable, plastic optical 200 ft. includes polishing kit	\$328.00
197384	Kit, polishing POF cable	\$63.00
<b>Option Cards</b>		
190528	Single analog output (0-10 VDC, 0-20 mA, 4-20 mA)	\$425.00
190530	882 option, Ethernet/IP	\$620.00
190531	882 option, DeviceNet	\$620.00
190532	882 option, ProfiNet	\$620.00
190534	882 option, Profibus	\$620.00
190533	882 option, Modbus TCP	\$620.00
190535	882 option, EtherCAT	\$620.00
<b>Remote Indicator for Setpoint Functionality</b>		
203343	920i universal indicator, 115 VAC, no A/D, with 882IS iRite software for setpoints	\$2,265.00
203344	920i wall mount indicator, 115 VAC, no A/D, with 882IS iRite software for setpoints - required fiber converts (PN 196769 and PN 196770)	\$2,895.00

HAZARDOUS LOCATION INSTRUMENTATION

## Dimensions

882IS/882IS Plus			
Optional I/O Module			
A	10.00 in (254 mm)	C	6.91 in (176 mm)
B	9.13 in (232 mm)	D	4.00 in (102 mm)



INTRINSICALLY SAFE

# EL232 XPCD

Explosion Proof Remote Serial Display



HAZARDOUS LOCATION INSTRUMENTATION

NOTE: Custom enclosures as requested. All explosion-proof devices are now built-to-order, so please coordinate purchase of these items with one of our application specialists.

## Part Number/Price

Part #	Description	Est. Weight	Price
20904	EL232 XPCD explosion proof remote serial display	60 lb	\$7,675.00

## Dimensions

EL232 XPCD			
A	10.50 in (266.7 mm)	E	10.50 in (266.7 mm)
B	9.50 in (241.3 mm)	F	7.50 in (190.5 mm)
C	5.81 in (147.7 mm)	G	11.75 in (298.5 mm) (glass diameter)
D	11.75 in (298.5 mm)	H	7/16 in (11 mm) dia holes



**CAUTION!** The equipment contained within this Explosive Environment section requires greater attention to specification and installation guidelines. Improper specification, installation or service of these products can result in loss of equipment or serious injury.

## Standard Features

- 20 mA current loop or RS-232 input
- Compatible with most Rice Lake indicators
- NEMA Type 4, 7CD, 9EFG enclosure

## Specifications

### Input Voltage:

115 VAC, 60 Hz

### NEC Classifications:

Class I, Division 1, Groups C & D; Class II, Division 1, Groups E, F & G and Class III hazardous environments

### Baud Rate:

1200, 2400, 4800 and 9600

### Interfaces:

20 mA current loop and RS-232  
Please consult factory for model numbers and interface requirements

### Display:

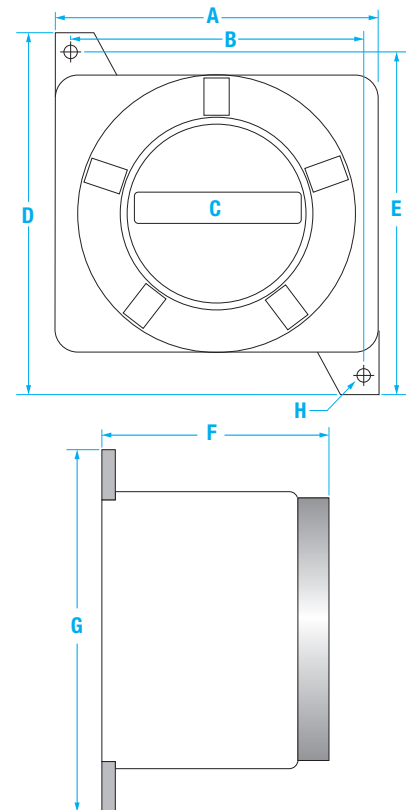
High-intensity, red LED, 0.8 in (20.3 mm) high digits

### Weight:

Approximately 60 lb (27.2 kg)

### Warranty:

One-year limited





## Standard Features

- Each system features excitation, sense and signal barriers
- Available in an enclosure for external mounting or in a chassis mount version
- R Stahl® or equivalent barriers that are approved by Factory Mutual (FM)

## Specifications

### Part #31201:

+ Excitation 9001/01-158-390-101

**Voltage Range:**

+12 VDC

**Internal Resistance:**

55 ohm

**Open Circuit Voltage:**

15.7 VDC

**Short Circuit Current:**

390 mA

**Classifications:**

FM approved, UL listed,  
CSA certified, SA, CE marked

### Part #31202:

± Excitation 9002/10-187-270-001

**Voltage Range:**

±6 VDC

**Internal Resistance:**

46 ohm

**Open Circuit Voltage:**

18.7 VDC

**Short Circuit Current:**

278.8 mA

**Classifications:**

FM approved, UL listed,  
CSA certified, SA, CE marked

### Part #31540:

+ Excitation 9001/01-083-442-10

**Voltage Range:**

+6 VDC

**Internal Resistance:**

48 ohm

**Open Circuit Voltage:**

8.4 VDC

**Short Circuit Current:**

442 mA

**Classifications:**

FM approved, UL listed,  
CSA certified, SA, CE marked

### Part #70724:

+ Sense 9001/01-086-020-101

**Voltage Range:**

+6 VDC

**Internal Resistance:**

470 ohm

**Open Circuit Voltage:**

8.6 VDC

**Short Circuit Current:**

18.3 mA

**Classifications:**

FM approved, UL listed,  
CSA certified, SA, CE marked

### Part #30263:

± Signal 9002/77-093-040-001

**Voltage Range:**

±6 VDC

**Internal Resistance:**

482 ohm

**Open Circuit Voltage:**

9.6 VDC

**Short Circuit Current:**

40.9 mA

**Classifications:**

FM approved, UL listed,  
CSA certified, SA, CE marked

### Part #31542:

RS-232 9002/22-093-300-001

**Voltage Range:**

±6 VDC

**Internal Resistance:**

75.8 ohm

**Open Circuit Voltage:**

9.6 VDC

**Short Circuit Current:**

297.5 mA

**Classifications:**

FM approved, UL listed,  
CSA certified, SA, CE marked

### Part #30264:

± Sense 9002/10-187-020-001

**Voltage Range:**

±6 VDC

**Internal Resistance:**

482 ohm

**Open Circuit Voltage:**

18.7 VDC

**Short Circuit Current:**

22 mA

**Classifications:**

FM approved, UL listed,  
CSA certified, SA, CE marked

### Part #30266:

- Excitation 9001/00-086-390-101

**Voltage Range:**

-0.6 VDC

**Internal Resistance:**

30 ohm

**Open Circuit Voltage:**

8.6 VDC

**Short Circuit Current:**

377.6 mA

**Classifications:**

FM approved

### Part #69491:

- Excitation 9001/02-016-150-111

**Voltage Range:**

±0.7 VDC

**Internal Resistance:**

12.8 ohm

**Open Circuit Voltage:**

1.64 VDC

**Short Circuit Current:**

127.4 mA

**Classifications:**

FM approved, UL listed,  
CSA certified, SA, CE marked

### Part #69492:

+ Sense 9001/01-168-020-101

**Voltage Range:**

±12 VDC

**Internal Resistance:**

898 ohm

**Open Circuit Voltage:**

16.8 VDC

**Short Circuit Current:**

18.7 mA

**Classifications:**

FM approved, UL listed,  
CSA certified, SA, CE marked

### Part #69493:

- Sense 9001/02-016-015-101

**Voltage Range:**

+0.7 VDC

**Internal Resistance:**

127 ohm

**Open Circuit Voltage:**

1.64 VDC

**Short Circuit Current:**

13.7 mA

**Classifications:**

FM approved, UL listed,  
CSA certified, SA, CE marked

### Part #72521:

- Excitation 9001/01-199-390-101

**Voltage Range:**

+16 VDC

**Internal Resistance:**

67 ohm

**Open Circuit Voltage:**

-19.9 VDC

**Short Circuit Current:**

382.7 mA

**Classifications:**

FM approved, CSA-certified,  
CE marked

### Part #30265:

+ Excitation 9001/01-086-390-101

**Voltage Range:**

+6 VDC

**Internal Resistance:**

30 ohm

**Open Circuit Voltage:**

8.6 VDC

**Short Circuit Current:**

377.6 mA

**Classifications:**

FM approved

# Intrinsic Safety Barriers

## Part Number/Price

Part #	Description	Est. Weight	Price
<b>Barrier Kit #1: (For models with +5 and -5 Volt excitation (10 volt))</b>			
31202	9002/10-187-270-001, ± excitation barrier	1 lb	\$475.00
30264	9002/10-187-020-001, ± sense barrier	1 lb	\$495.00
30263	9002/77-093-040-001, ± signal barrier	1 lb	\$495.00
109663	DIN rail mounted kit #1 (includes 31202, 30264, 30263)	2lb	\$1,610.00
<b>Barrier Kit #2: (For models with + 10 Volt excitation)</b>			
31201	9001/01-158-390-101, + excitation barrier	1 lb	\$415.00
69491	9001/02-016-150-111, - excitation barrier	1 lb	\$370.00
69492	9001/01-168-020-101, + sense barrier	1 lb	\$345.00
69493	9001/002-016-015-101, - sense barrier	1 lb	\$395.00
30263	9002/77-093-040-001, ± signal barrier	1 lb	\$495.00
<b>Barrier Kit #3: (For models with + 5 Volt excitation)</b>			
31540	9001/01-083-442-101, + excitation barrier	1 lb	\$310.00
69491	9001/02-016-150-111, - excitation barrier	1 lb	\$370.00
30263	9002/77-093-040-001, ± signal barrier	1 lb	\$495.00
<b>If sense leads are required, use the following:</b>			
199867	900/01-086-075-101, + sense barrier	1 lb	\$525.00
69493	9001/02-016-015-10, - sense barrier	1 lb	\$395.00
<b>Miscellaneous Barriers:</b>			
30266	9001/00-086-390-101, - excitation barrier	1 lb	\$345.00
30265	9001/01-086-390-101, + excitation barrier	1 lb	\$345.00
72521	9001-01-199-390-101, + excitation barrier	1 lb	\$450.00
197643	Barrier, dual channel, RS-422	1 lb	\$485.00
31542	9002/77-093-300-001, RS-232	1 lb	\$450.00

## Options/Accessories

Part #	Description	Price
33531	DIN rail, 6 in length	\$12.00
35815	IS barrier installation manual	\$15.00
110424	FRP enclosure, up to 4 barriers (not included)	\$240.00
22828	Ground terminal block	\$25.00
42219	Barrier fuse (160 mA)	\$15.00
208123	Isolator, barrier mount	\$5.00

HAZARDOUS LOCATION INSTRUMENTATION



# In-Motion Weighing

---

## TABLE OF CONTENTS

<b>ELS Series</b> .....	<b>584</b>
<i>Elevated Load Cell Stands</i>	
<b>MotoWeigh® IMW</b> .....	<b>586</b>
<i>In-Motion Conveyor Scale and Checkweigher</i>	
<b>MotoWeigh® Metal Detector</b> .....	<b>591</b>
<b>MotoWeigh® Cascade Checkweigher</b> .....	<b>593</b>
<i>Gravity Drop Checkweigher</i>	
<b>Motoweigh® Integrator</b> .....	<b>593</b>
<b>A&amp;D Inspection</b> .....	<b>594</b>
<i>In-Motion Checkweigher and Metal Detector</i>	
<b>RT-M</b> .....	<b>596</b>
<i>Roller Top Scale</i>	

The following product names, logos, brands and other trademarks featured or referred to within this publication are the property of their respective trademark holders.

# ELS Series

Elevated Load Cell Stands



Mild Steel ELS

## Standard Features

- Adjustable height and width in 1-inch increments
- Mild or stainless steel frame
- Individual load cell overload protection
- Jack bolts in leveling feet for easy conveyor height alignment
- Kit includes: two stands, load cells, junction box, two adjustable stabilizing braces, leveling shims and hardware

## Options

- Indicator stand – mild or stainless steel
- Additional single ELS weigh stand
- Additional stabilizing brace kit
- \*Rollers and conveyors are not included and are from other manufacturers

## Specifications

### Load Cell:

Four RL32018 or RL32018S single-ended beam:  
250 lb, 500 lb and 1,000 lb capacity

### Cable Length:

25 ft

### Warranty:

Two-year limited

### Approvals:

Load cells are FM approved

## Part Number/Price

Part #	Length	Width	Height	Price
<b>Mild Steel - Overall Product Dimensions</b>				
<b>ELS-250 Kit (Load Rating 500 lbs)</b>				
212655	30 to 60 in	22 to 28 in	22 to 28 in	\$3,900.00
212656	30 to 60 in	22 to 28 in	29 to 36 in	\$3,900.00
212659	30 to 60 in	29 to 40 in	22 to 28 in	\$3,950.00
212660	30 to 60 in	29 to 40 in	29 to 36 in	\$3,950.00
212957	30 to 60 in	41 to 58 in	22 to 28 in	\$3,950.00
212958	30 to 60 in	41 to 58 in	29 to 36 in	\$3,950.00
<b>ELS-500 Kit (Load Rating 1,000 lbs)</b>				
212661	30 to 60 in	22 to 28 in	22 to 28 in	\$3,950.00
212662	30 to 60 in	22 to 28 in	29 to 36 in	\$3,950.00
212663	30 to 60 in	29 to 40 in	22 to 28 in	\$4,000.00
212665	30 to 60 in	29 to 40 in	29 to 36 in	\$4,000.00
212953	30 to 60 in	41 to 58 in	22 to 28 in	\$4,000.00
212954	30 to 60 in	41 to 58 in	29 to 36 in	\$4,000.00
<b>ELS-1000 Kit (Load Rating 2,000 lbs)</b>				
212666	30 to 60 in	22 to 28 in	22 to 28 in	\$4,100.00
212667	30 to 60 in	22 to 28 in	29 to 36 in	\$4,100.00
212669	30 to 60 in	29 to 40 in	22 to 28 in	\$4,150.00
212670	30 to 60 in	29 to 40 in	29 to 36 in	\$4,150.00
212949	30 to 60 in	41 to 58 in	22 to 28 in	\$4,200.00
212950	30 to 60 in	41 to 58 in	29 to 36 in	\$4,200.00
<b>Stainless Steel</b>				
<b>ELS-250 Kit (Load Rating 500 lbs)</b>				
213276	30 to 60 in	22 to 28 in	22 to 28 in	\$6,150.00
213278	30 to 60 in	22 to 28 in	29 to 36 in	\$6,250.00
213280	30 to 60 in	29 to 40 in	22 to 28 in	\$6,300.00
213282	30 to 60 in	29 to 40 in	29 to 36 in	\$6,350.00
213283	30 to 60 in	41 to 58 in	22 to 28 in	\$6,450.00
213284	30 to 60 in	41 to 58 in	29 to 36 in	\$6,550.00
<b>ELS-500 Kit (Load Rating 1,000 lbs)</b>				
213292	30 to 60 in	22 to 28 in	22 to 28 in	\$6,200.00
213293	30 to 60 in	22 to 28 in	29 to 36 in	\$6,300.00
213294	30 to 60 in	29 to 40 in	22 to 28 in	\$6,300.00
213295	30 to 60 in	29 to 40 in	29 to 36 in	\$6,400.00
213296	30 to 60 in	41 to 58 in	22 to 28 in	\$6,450.00
213297	30 to 60 in	41 to 58 in	29 to 36 in	\$6,550.00
<b>ELS-1000 Kit (Load Rating 2,000 lbs)</b>				
213304	30 to 60 in	22 to 28 in	22 to 28 in	\$6,200.00
213305	30 to 60 in	22 to 28 in	29 to 36 in	\$6,300.00
213306	30 to 60 in	29 to 40 in	22 to 28 in	\$6,300.00
213307	30 to 60 in	29 to 40 in	29 to 36 in	\$6,400.00
213308	30 to 60 in	41 to 58 in	22 to 28 in	\$6,450.00
213309	30 to 60 in	41 to 58 in	29 to 36 in	\$6,550.00

NOTE: Height is the floor to top mounting plate measurement  
Width and Height adjustable in 1 inch increments

IN-MOTION  
WEIGHING

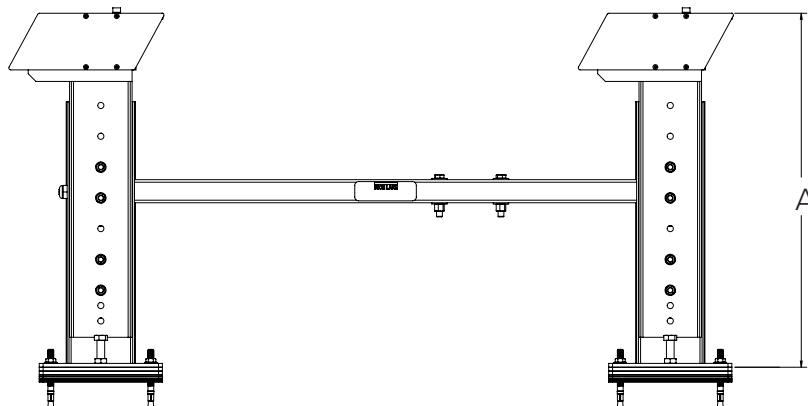
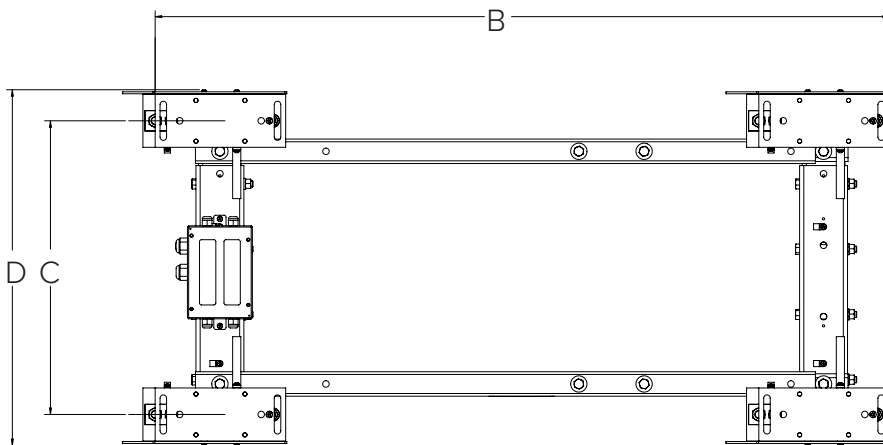
## Options/Accessories

Part #	Description	Price
19352	Indicator floor stand mild steel, 36.3 in high	\$250.00
28740	Indicator floor stand SST, 36.3 in high	\$340.00
Consult	Single ELS weigh stand	Consult
213229	Additional stabilizing brace kit mild steel	\$300.00
213316	Additional stabilizing brace kit stainless steel	\$550.00

## Dimensions

	Kit Variation	Minimum Dimension	Maximum Dimension
A	Small	22 in (55.88 cm)	28 in (71.12 cm)
	Large	29 in (73.66 cm)	36 in (91.44 cm)
B	All	30 in (76.20 cm)	60 in (152.40 cm)
C	Small	17 in (43.18 cm)	24 in (60.96 cm)
	Medium	25 in (63.50 cm)	36 in (91.44 cm)
D	Small	22 in (55.88 cm)	28 in (71.12 cm)
	Large	41 in (104.14 cm)	58 in (147.32 cm)

Dimensions A, C and D are adjustable in one inch increments



IN-MOTION  
WEIGHING

# MotoWeigh® IMW

In-Motion Conveyor Scale and Checkweigher



## Approvals



Optional



Optional

## Standard Features

### Software

- Password protected user logins
- Real-time statistical information
- Product report
- Statistical report
- Parameter report
- User report
- Store up to 1,000 different products
- Five-zone classification

### Control Panel

- 1280 controller
- Power disconnect with lock-out/tag-out
- E-stop
- VFD (variable frequency drive)
- Motor overloads

### Hardware

- Square tube construction (SST or aluminum)
- 32 in height from top of belt with  $\pm 2.5$  in of adjustment
- Modular belting

## Options

- Divert methods:
  - Pneumatic pusher
  - Air blast
  - Drop conveyor
  - Paddle
  - Secondary diverter in series or parallel
- One-, three- or five -zone communication tower
- Audible alarm (non-washdown only)
- Draft shields
- Drop chutes
- Pull cord E-stops
- Portability package (non-NTEP Certified only)
- Conveyor guide rails (round or flat)
- Custom programming available
- Food-grade SST angle construction, NEMA Type 4X IP66 washdown systems
- Meets HACCP requirements
- UL 508
- NTEP Certified Legal for Trade (up to 2,000 divisions and 60 ppm)
- Pacing conveyor

## Specifications

### Construction:

- Stainless steel food-grade
- Stainless steel non-food-grade
- Aluminum non-food-grade

### Configurations:

- Checkweigher
- Conveyor scale

### Speed:

Up to 240 ft per minute

### Container Types:

- Boxes, bags, pouches, trays, tubs, cups, blister packs, display packs, clam shells

### Belts:

Intralox® Habasit®

### Power Configuration:

- 110 VAC single phase, 60 Hz
- 230/460 VAC 3 phase, 60 Hz

### Warranty:

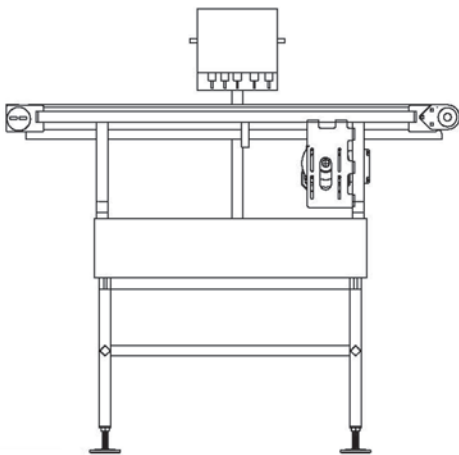
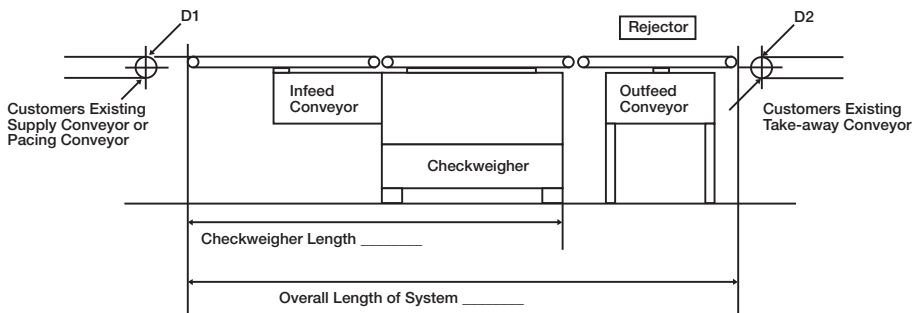
- Two-year limited (excludes powertrain and wear parts)

### Checkweigher Packages:

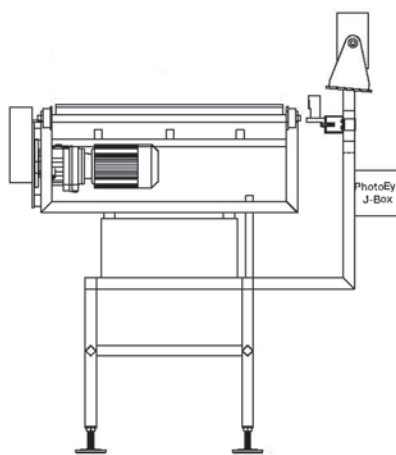
- NTEP Certified and non-NTEP Certified packages available in stainless steel and aluminum for food and non-food-grade applications

### Checkweigher Packages Include:

- Common framework for mounting conveyor scale on same frame as infeed conveyor and indicator
- Basic control enclosure to interconnect wiring from photo eyes and divert solenoid and conveyor on/off/E-stop



Side View  
Conveyor Scale



End View  
Conveyor Scale

Due to the variety of configurations, please consult a sales engineer to discuss application requirements and for complete specifications and price quotations.

Field installation available at pre-determined rates.

Questionnaire available at [www.ricelake.com/motoweigh](http://www.ricelake.com/motoweigh)

Example Conveyor System Sizes and Configurations					
Configuration	Scale Width	Scale Length	Capacity	PPM	Material
Scale Conveyor Only	6	12	10, 20	Min Length: 3 in Max Length (40ppm): 7 in Max Length (75ppm): 3 in	AL, Ind Welded
					SST, Ind Welded
					SST, Food Grade Welded
	6	18	10, 20	Min Length: 3 in Max Length (40ppm): 11.5 in Max Length (80ppm): 5 in	AL, Ind Welded
					SST, Ind Welded
					SST, Food Grade Welded
	6	24	10, 20	Min Length: 3 in Max Length (40ppm): 15.5 in Max Length (80ppm): 7.5 in	AL, Ind Welded
					SST, Ind Welded
					SST, Food Grade Welded
Checkweigher with Linear Thrust Reject Device (Includes: Infeed, scale, and outfeed conveyors. All conveyors same length.)	6	12	10, 20	Min Length: 3 in Max Length (40ppm): 7 in Max Length (75ppm): 3 in	AL, Ind Welded
					SST, Ind Welded
					SST, Food Grade Welded
	6	18	10, 20	Min Length: 3 in Max Length (40ppm): 11.5 in Max Length (80ppm): 5 in	AL, Ind Welded
					SST, Ind Welded
					SST, Food Grade Welded
	6	24	10, 20	Min Length: 3 in Max Length (40ppm): 15.5 in Max Length (80ppm): 7.5 in	AL, Ind Welded
					SST, Ind Welded
					SST, Food Grade Welded
Scale Conveyor Only	12	18	10, 20, 40	Min Length: 3 in (6 in@40 lb) Max Length (40ppm): 11.5 in Max Length (80ppm): 5 in	AL, Ind Welded
					SST, Ind Welded
					SST, Food Grade Welded
	12	24	10, 20, 40	Min Length: 3 in (6 in@40 lb) Max Length (40ppm): 15.5 in Max Length (80ppm): 7.5 in	AL, Ind Welded
					SST, Ind Welded
					SST, Food Grade Welded
	12	30	10, 20, 40	Min Length: 3 in (6 in@40 lb) Max Length (40ppm): 20 in Max Length (80ppm): 10 in	AL, Ind Welded
					SST, Ind Welded
					SST, Food Grade Welded
	12	36	10, 20, 40	Min Length: 3 in (6 in@40 lb) Max Length (35ppm): 25.5 in Max Length (70ppm): 15.5 in	AL, Ind Welded
					SST, Ind Welded
					SST, Food Grade Welded
Checkweigher with Linear Thrust Reject Device (Includes: Infeed, scale, and outfeed conveyors. All conveyors same length.)	12	18	10, 20, 40	Min Length: 3 in (6 in@40 lb) Max Length (40ppm): 11.5 in Max Length (80ppm): 5 in	AL, Ind Welded
					SST, Ind Welded
					SST, Food Grade Welded
	12	24	10, 20, 40	Min Length: 3 in (6 in@40 lb) Max Length (40ppm): 15.5 in Max Length (80ppm): 7.5 in	AL, Ind Welded
					SST, Ind Welded
					SST, Food Grade Welded
	12	30	10, 20, 40	Min Length: 3 in (6 in@40 lb) Max Length (40ppm): 20 in Max Length (80ppm): 10 in	AL, Ind Welded
					SST, Ind Welded
					SST, Food Grade Welded
	12	36	10, 20, 40	Min Length: 3 in (6 in@40 lb) Max Length (35ppm): 25.5 in Max Length (70ppm): 15.5 in	AL, Ind Welded
					SST, Ind Welded
					SST, Food Grade Welded

**IN-MOTION WEIGHING**

# MotoWeigh® IMW

In-Motion Conveyor Scale and Checkweigher

## Example Conveyor System Sizes and Configurations

Configuration	Scale Width	Scale Length	Capacity	PPM	Material
Scale Conveyor Only	18	24	20, 40, 100	Min Length: 6 in (3 in@20 lb) Max Length (40ppm): 15.5 in Max Length (80ppm): 7.5 in	AL, Ind Welded
					SST, Ind Welded
					SST, Food Grade Welded
	18	30	20, 40, 100	Min Length: 6 in (3 in@20 lb) Max Length (40ppm): 20 in Max Length (80ppm): 10 in	AL, Ind Welded
					SST, Ind Welded
					SST, Food Grade Welded
	18	36	20, 40, 100	Min Length: 6 in (3 in@20 lb) Max Length (35ppm): 25.5 in Max Length (70ppm): 15.5 in	AL, Ind Welded
					SST, Ind Welded
					SST, Food Grade Welded
	18	42	20, 40, 100	Min Length: 6 in (3 in@20 lb) Max Length (30ppm): 32 in Max Length (60ppm): 22 in	AL, Ind Welded
					SST, Ind Welded
					SST, Food Grade Welded
	18	48	20, 40, 100	Min Length: 6 in (3 in@20 lb) Max Length (30ppm): 36.5 in Max of 54ppm	AL, Ind Welded
					SST, Ind Welded
					SST, Food Grade Welded
Checkweigher with Linear Thrust Reject Device (Includes: Infeed, scale, and outfeed conveyors. All conveyors same length.)	18	24	20, 40, 100	Min Length: 6 in (3 in@20 lb) Max Length (40ppm): 15.5 in Max Length (80ppm): 7.5 in	AL, Ind Welded
					SST, Ind Welded
					SST, Food Grade Welded
	18	30	20, 40, 100	Min Length: 6 in (3 in@20 lb) Max Length (40ppm): 20 in Max Length (80ppm): 10 in	AL, Ind Welded
					SST, Ind Welded
					SST, Food Grade Welded
	18	36	20, 40, 100	Min Length: 6 in (3 in@20 lb) Max Length (35ppm): 25.5 in Max Length (70ppm): 15.5 in	AL, Ind Welded
					SST, Ind Welded
					SST, Food Grade Welded
	18	42	20, 40, 100	Min Length: 6 in (3 in@20 lb) Max Length (30ppm): 32 in Max Length (60ppm): 22 in	AL, Ind Welded
					SST, Ind Welded
					SST, Food Grade Welded
	18	48	20, 40, 100	Min Length: 6 in (3 in@20 lb) Max Length (30ppm): 36.5 in Max of 54ppm	AL, Ind Welded
					SST, Ind Welded
					SST, Food Grade Welded
Scale Conveyor Only	24	30	40, 100	Min Length: 6 in Max Length (40ppm): 20 in Max Length (80ppm): 10 in	AL, Ind Welded
					SST, Ind Welded
					SST, Food Grade Welded
	24	36	40, 100	Min Length: 6 in Max Length (35ppm): 25.5 in Max Length (70ppm): 15.5 in	AL, Ind Welded
					SST, Ind Welded
					SST, Food Grade Welded
	24	42	40, 100	Min Length: 6 in Max Length (30ppm): 32 in Max Length (60ppm): 22 in	AL, Ind Welded
					SST, Ind Welded
					SST, Food Grade Welded
	24	48	40, 100	Min Length: 6 in Max Length (30ppm): 36.5 in Max of 54ppm	AL, Ind Welded
					SST, Ind Welded
					SST, Food Grade Welded
	24	54	40, 100	Min Length: 6 in Max Length (30ppm): 41.5 in Max of 48ppm	AL, Ind Welded
					SST, Ind Welded
					SST, Food Grade Welded
24	60	40, 100	Min Length: 6 in Max Length (30ppm): 46 in Max of 44ppm	AL, Ind Welded	
				SST, Ind Welded	
				SST, Food Grade Welded	

IN-MOTION WEIGHING



Example Conveyor System Sizes and Configurations						
Configuration	Scale Width	Scale Length	Capacity	PPM	Material	
Checkweigher with Linear Thrust Reject Device (Includes: Infeed, scale, and outfeed conveyors. All conveyors same length.)	24	30	40, 100	Min Length: 6 in Max Length (40ppm): 20 in Max Length (80ppm): 10 in	AL, Ind Welded	
					SST, Ind Welded	
					SST, Food Grade Welded	
	24	36	40, 100	Min Length: 6 in Max Length (35ppm): 25.5 in Max Length (70ppm): 15.5 in	AL, Ind Welded	
					SST, Ind Welded	
					SST, Food Grade Welded	
	24	42	40, 100	Min Length: 6 in Max Length (30ppm): 32 in Max Length (60ppm): 22 in	AL, Ind Welded	
					SST, Ind Welded	
					SST, Food Grade Welded	
	24	48	40, 100	Min Length: 6 in Max Length (30ppm): 36.5 in Max of 54ppm	AL, Ind Welded	
					SST, Ind Welded	
					SST, Food Grade Welded	
	24	54	40, 100	Min Length: 6 in Max Length (30ppm): 41.5 in Max of 48ppm	AL, Ind Welded	
					SST, Ind Welded	
					SST, Food Grade Welded	
	24	60	40, 100	Min Length: 6 in Max Length (30ppm): 46 in Max of 44ppm	AL, Ind Welded	
					SST, Ind Welded	
					SST, Food Grade Welded	
Scale Conveyor Only	30	36	100, 200	Min Length: 6 in Max Length (35ppm): 25.5 in Max Length (70ppm): 15.5 in	AL, Ind Welded	
					SST, Ind Welded	
					SST, Food Grade Welded	
	30	42	100, 200	Min Length: 6 in Max Length (30ppm): 32 in Max Length (60ppm): 22 in	AL, Ind Welded	
					SST, Ind Welded	
					SST, Food Grade Welded	
	30	48	100, 200	Min Length: 6 in Max Length (30ppm): 36.5 in Max of 54ppm	AL, Ind Welded	
					SST, Ind Welded	
					SST, Food Grade Welded	
	30	54	100, 200	Min Length: 6 in Max Length (30ppm): 41.5 in Max of 48ppm	AL, Ind Welded	
					SST, Ind Welded	
					SST, Food Grade Welded	
	30	60	100, 200	Min Length: 6 in Max Length (30ppm): 46 in Max of 44ppm	AL, Ind Welded	
					SST, Ind Welded	
					SST, Food Grade Welded	
	Checkweigher with Linear Thrust Reject Device (Includes: Infeed, scale, and outfeed conveyors. All conveyors same length.)	30	36	100, 200	Min Length: 6 in Max Length (35ppm): 25.5 in Max Length (70ppm): 15.5 in	AL, Ind Welded
						SST, Ind Welded
						SST, Food Grade Welded
30		42	100, 200	Min Length: 6 in Max Length (30ppm): 32 in Max Length (60ppm): 22 in	AL, Ind Welded	
					SST, Ind Welded	
					SST, Food Grade Welded	
30		48	100, 200	Min Length: 6 in Max Length (30ppm): 36.5 in Max of 54ppm	AL, Ind Welded	
					SST, Ind Welded	
					SST, Food Grade Welded	
30		54	100, 200	Min Length: 6 in Max Length (30ppm): 41.5 in Max of 48ppm	AL, Ind Welded	
					SST, Ind Welded	
					SST, Food Grade Welded	
30		60	100, 200	Min Length: 6 in Max Length (30ppm): 46 in Max of 44ppm	AL, Ind Welded	
					SST, Ind Welded	
					SST, Food Grade Welded	

IN-MOTION WEIGHING

# MotoWeigh® IMW

In-Motion Conveyor Scale and Checkweigher

Example Conveyor System Sizes and Configurations

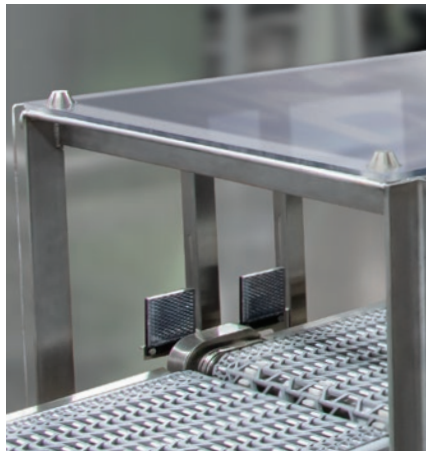
Configuration	Scale Width	Scale Length	Capacity	PPM	Material
Scale Conveyor Only	36	42	100, 200	Min Length: 6 in Max Length (30ppm): 32 in Max Length (60ppm): 22 in	AL, Ind Welded
					SST, Ind Welded
					SST, Food Grade Welded
	36	48	100, 200	Min Length: 6 in Max Length (30ppm): 36.5 in Max of 54ppm	AL, Ind Welded
					SST, Ind Welded
					SST, Food Grade Welded
	36	54	100, 200	Min Length: 6 in Max Length (30ppm): 41.5 in Max of 48ppm	AL, Ind Welded
					SST, Ind Welded
	36	60	100, 200	Min Length: 6 in Max Length (30ppm): 46 in Max of 44ppm	SST, Food Grade Welded
					AL, Ind Welded
					SST, Ind Welded
	Checkweigher with Linear Thrust Reject Device (Includes: Infeed, scale, and outfeed conveyors. All conveyors same length.)	36	42	100, 200	Min Length: 6 in Max Length (30ppm): 32 in Max Length (60ppm): 22 in
SST, Ind Welded					
SST, Food Grade Welded					
36		48	100, 200	Min Length: 6 in Max Length (30ppm): 36.5 in Max of 54ppm	AL, Ind Welded
					SST, Ind Welded
					SST, Food Grade Welded
36		54	100, 200	Min Length: 6 in Max Length (30ppm): 41.5 in Max of 48ppm	AL, Ind Welded
					SST, Ind Welded
36		60	100, 200	Min Length: 6 in Max Length (30ppm): 46 in Max of 44ppm	SST, Food Grade Welded
					AL, Ind Welded
					SST, Ind Welded

Additional configurations, sizes, and capacities are available upon request

IN-MOTION WEIGHING



Diverter



Draftshield



Stack light accessory



Guide rails

# MotoWeigh® Metal Detector



Approvals



## Part Number/Price

Part #	Main Systems	Price
Consult	Please consult factory for configuration and pricing	Consult

## Options/Accessories

Part #	Main Systems	Price
200804	Caster package, MotoWeigh set of 4 - 2 swivel and 2 fixed casters for MotoWeigh metal detection conveyors	\$4,900.00
186279	Information tower includes buzzer	\$1,500.00
186280	Remote electronics with up to 100 ft of cable	\$1,315.00
186281	AC power conditioner in NEMA Type 4X enclosure	\$3,040.00
186282	PLC module for Ethernet IP interface (factory installed only)	\$2,410.00
186284	Preventive kit	\$1,010.00
<b>Ferrous (Mild Steel) Test Wands</b>		
168370	1.0 mm ferrous (mild steel) test wand	\$19.25
168383	1.2 mm ferrous (mild steel) test wand	\$19.25
168384	1.5 mm ferrous (mild steel) test wand	\$19.25
168385	1.8 mm ferrous (mild steel) test wand	\$19.25
168386	2.0 mm ferrous (mild steel) test wand	\$19.25
168387	2.2 mm ferrous (mild steel) test wand	\$19.25
168388	2.5 mm ferrous (mild steel) test wand	\$19.25
168389	2.8 mm ferrous (mild steel) test wand	\$19.25
168390	3.0 mm ferrous (mild steel) test wand	\$19.25
168391	3.1 mm ferrous (mild steel) test wand	\$19.25
168392	3.25 mm ferrous (mild steel) test wand	\$19.25
168393	3.5 mm ferrous (mild steel) test wand	\$19.25
168394	4.0 mm ferrous (mild steel) test wand	\$19.25
168395	4.5 mm ferrous (mild steel) test wand	\$19.25
<b>Non-Ferrous (Brass) Test Wands</b>		
168411	1.0 mm non-ferrous (brass) test wand	\$19.25
168413	1.2 mm non-ferrous (brass) test wand	\$19.25
168414	1.5 mm non-ferrous (brass) test wand	\$19.25
168415	1.8 mm non-ferrous (brass) test wand	\$19.25
168416	2.0 mm non-ferrous (brass) test wand	\$19.25
168418	2.2 mm non-ferrous (brass) test wand	\$19.25
168420	2.5 mm non-ferrous (brass) test wand	\$19.25
168421	2.8 mm non-ferrous (brass) test wand	\$19.25
168422	3.0 mm non-ferrous (brass) test wand	\$19.25
168423	3.2 mm non-ferrous (brass) test wand	\$19.25
168424	3.5 mm non-ferrous (brass) test wand	\$19.25
168425	4.0 mm non-ferrous (brass) test wand	\$19.25
168426	4.5 mm non-ferrous (brass) test wand	\$19.25
168427	5.0 mm non-ferrous (brass) test wand	\$19.25

## Standard Features

### Software

- Four levels of security
- Easy setup and product learning
- Easily change product boundaries/rejection
- One touch log reporting
- Eight fields of data recorded on large hard drive
- USB, Ethernet and RS485 communication ports
- Up to 97 products
- English or Spanish

### Hardware

- 7-inch color touchscreen interface
- 304 stainless steel construction
- NEMA Type 4X, 304 stainless steel housing and enclosure
- IP66 rated
- Easily removable belt
- Adjustable foot pads or optional casters
- Single-point junction box
- Anti-static UHMW slider bed
- Variable speed control

## Options

- Reject mechanism
- Paddle
- Linear
- Drop
- Lock box
- IP69K
- Meets HACCP requirements
- Ferrous, non-ferrous and 316 stainless steel test wands; individual wands and kits
- LED communication tower
- Audible alarms
- Caster package
- Guide rails
- AC power conditioner

## Specifications

### Construction:

304 stainless steel

### Display:

7-inch color touchscreen

### Language Support:

English and Spanish

### Inputs:

Eight configurable (for photo eyes, remote emergency stop, etc.) that can be set to active high or active low

### Outputs:

Nine programmable (for reject mechanism, system faults, system warnings, etc.)

### Speed:

Up to 120 ft/minute depending on configuration

### Operating Temperature:

Integral control 14 °F to 120 °F (-10 °C to 49 °C)

### Storage Temperature:

14 °F to 175 °F (-10 °C to 80 °C)

### Maximum Operating Altitude:

6,561 ft (2,000 m)

### Power Requirements:

100 to 240 VAC, 50 or 60 Hz

IN-MOTION  
WEIGHING

# MotoWeigh® Metal Detector

## Options/Accessories

Part #	Main Systems	Price
<b>316 Stainless Steel Test Wands</b>		
168428	1.5 mm 316 stainless steel test wand	\$19.25
168429	1.8 mm 316 stainless steel test wand	\$19.25
168430	2.0 mm 316 stainless steel test wand	\$19.25
168431	2.2 mm 316 stainless steel test wand	\$19.25
168432	2.5 mm 316 stainless steel test wand	\$19.25
168433	2.8 mm 316 stainless steel test wand	\$19.25
168434	3.0 mm 316 stainless steel test wand	\$19.25
168435	3.1 mm 316 stainless steel test wand	\$19.25
168436	3.4 mm 316 stainless steel test wand	\$19.25
168437	4.0 mm 316 stainless steel test wand	\$19.25
168438	4.5 mm 316 stainless steel test wand	\$19.25
168439	5.0 mm 316 stainless steel test wand	\$19.25
168440	5.5 mm 316 stainless steel test wand	\$19.25
168441	6.0 mm 316 stainless steel test wand	\$19.25
<b>Test Wand Kits</b>		
168445	Master kit (ferrous 1.0 to 4.5 mm, non-ferrous 1.0 to 5 mm, 316 stainless steel 1.5 to 6.0 mm)	\$1,500.00
168442	Ferrous kit (1.0 to 4.5 mm)	\$500.00
168443	Non-ferrous kit (1.0 to 5.0 mm)	\$500.00
168444	316 stainless steel kit (1.5 to 6.0 mm)	\$500.00

IN-MOTION  
WEIGHING

# MotoWeigh® Cascade Checkweigher

Gravity Drop Checkweigher



## Standard Features

### Software

- Single part drop detection (part outside of the bag)
- Statistical information
- Store up to 500 different products

### Hardware

- Mild steel construction
- Electrostatic dissipative powder coating
- 920j® wall mount
- Air regulator
- Bimba® air cylinders
- MAC® solenoid valves

## Options

- LED communication tower
- Audible alarm
- Draft shield

## Specifications

### Construction:

- Mild steel
- Stainless steel

### Capacity:

1.5 lb (680.4 g)

### Maximum Container Size:

(L x W x H)  
7.00 x 7.00 x 1.50 in

### Accuracy:

±0.00044 lb (0.2 g)

### Maximum Product Throughput:

45 parts per minute\*

### Cylinder Stroke:

1.75 in

\*Variable based on product size, cylinder stroke, and scale accuracy

## Part Number/Price

Part #	Main Systems	Price
212750	MotoWeigh Cascade Checkweigher and control panel mild steel	\$9,375.00
212751	MotoWeigh Cascade Checkweigher and control panel stainless steel	\$10,250.00

## Options/Accessories

Part #	Description	Price
185808	Red and green communication tower	\$775.00
186577	Red, green and alarm communication tower	\$950.00

# Motoweigh® Integrator

IN-MOTION  
WEIGHING



## Standard Features

### Software

- Password protected user logins
- Real-time statistical information
- Product report
- Statistical report
- Parameter report
- User report
- Store up to 1,000 different products
- Five -zone classification
- Configurable reject output
- Conveyor control output

### Control Panel

- Stainless steel enclosure
- Panel mount
- 24 VDC power supply
- 16 Opto 22 relays
- Terminal blocks for easy wiring

## Options

- One, three or five -zone communication tower
- Audible alarm (non-washdown only)

## Specifications

### Construction:

Stainless steel

### Control Panel Size:

16 x 16 x 8 in

### Power Configuration:

115 to 230 VAC single phase, 50/60 Hz

## Part Number/Price

Part #	Main Systems	Price
206440	1280 panel mount with MotoWeigh software, with cord grips	\$7,600.00

## Options/Accessories

Part #	Description	Price
185803	Alarm communication tower	\$435.00
185804	Red communication tower	\$480.00
185805	Three-zone communication tower	\$1,120.00
185806	Three-zone and alarm communication tower	\$1,390.00
185807	Five-zone communication tower	\$1,540.00



# A&D Inspection

In-Motion Checkweigher and Metal Detector



AD-4961 Series Checkweigher

IN-MOTION  
WEIGHING

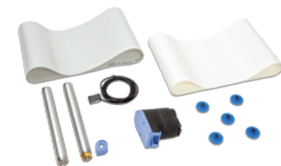
	AD-4961-600-1224 Specifications	AD-4961-2KD-2035 Specifications	AD-4961-6K-3050 Specifications
Capacity	600 g	500 g/2,000 g	6,000 g
Resolution	0.1 g	0.1 g	0.1 g
Construction	IP65 stainless steel construction with ABS resin display	IP65 stainless steel construction with ABS resin display	IP65 stainless steel construction with ABS resin display and stainless steel control box and base
Aperture Sizes	N/A	N/A	N/A
Display	7 in color touchscreen	7 in color touchscreen	7 in color touchscreen
Alarm	Included	Included	Included
Configurations	Checkweigher or conveyor scale	Checkweigher or conveyor scale	Checkweigher or conveyor scale
Speed	Up to 240 ft per minute	Up to 240 ft per minute	Up to 240 ft per minute
Max Throughput	150 pcs per min	150 pcs per min	100 pcs per min
Belts	Food grade urethane belt	Food grade urethane belt	Food grade urethane belt
Belts Width	4.7 in	7.8 in	11.8 in
Conveyor Length	14.2 in	13.7 in	19.6 in
Recorded Items	1,000 items (ten groups x 100 items)	1,000 items (ten groups x 100 items)	1,000 items (ten groups x 100 items)
Communication	Modbus TCP, Modbus RTU, RS-232, Ethernet TCP/IP (PostScript Printer), USB (for PostScript Printer, USB memory, data storage, image import use)	Modbus TCP, Modbus RTU, RS-232, RS-485, Ethernet TCP/IP (PostScript Printer), USB (for PostScript Printer, USB memory, data storage, image import use)	Modbus TCP, Modbus RTU, RS-232, RS-485, Ethernet TCP/IP (PostScript Printer), USB (for PostScript Printer, USB memory, data storage, image import use)
Input/Output	External input for four non-voltage contact points External output for eight relay points	External input for four non-voltage contact points External output for eight relay points	External input for four non-voltage contact points External output for eight relay points
Power Configuration	100 VAC-240 VAC (+10%/-15%) single phase, 50/60 Hz; 180 VA	100 VAC-240 VAC (+10%/-15%) single phase, 50/60 Hz; 180 VA	100 VAC-240 VAC (+10%/-15%) single phase, 50/60 Hz; 180 VA
Operating Temperature	23°F to 104°F (-5°C to 40°C)	23°F to 104°F (-5°C to 40°C)	23°F to 104°F (-5°C to 40°C)
External Dimensions	(L x W x H) 26 x 23.7 x 28.1 in to 33.9 in	(L x W x H) 27.5 x 25.9 x 27.9 in to 33.8 in	(L x W x H) 39.5 x 28.9 x 28.3 in to 34.2 in



Breeze Break



Tower Light



Maintenance Kit



# A&D Inspection AD-4961 Series

In-Motion Conveyor Scale, Checkweigher and Metal Detector

## Part Number/Price

AD-4961A 600g		
Part #	Checkweigher	Price
220816	EZiCheck checkweigher 600 g	\$24,700.00
Part #	Rejector	Price
186318	EZiCheck 600 g air jet reject with two nozzles	\$6,500.00

Assembly is required

## Options/Accessories

Part #	Options / Accessories	Price
221113	EZiCheck 600 g breeze break	\$1,100.00
176622	CW extension leg kit - set of four (up to 40 in)	\$495.00
186320	Maintenance kit 600 g	\$3,000.00
203601	EZ caster package	\$1,850.00
220817	EZiCheck flat guide rails for 600 g weighing conveyor	\$950.00
220818	EZiCheck flat guide rails for 600 g infeed conveyor	\$950.00
221114	EZiCheck 600 g lower breeze break	

## Part Number/Price

AD-4961-2K-2035 2 kg		
Part #	Checkweigher	Price
220725	EZiCheck checkweigher 2 kg	\$27,000.00
Part #	Rejector	Price
Consult	EZiCheck 2 kg dual channel reject flipper	Consult
221115	Air jet rejector (two nozzles)	\$7,600.00
220775	EZiCheck 2 kg single channel drop rejector	\$7,800.00
220776	Drop rejector stand	\$2,000.00

Assembly is required

## Options/Accessories

Part #	Options / Accessories	Price
176614	EZiCheck-01 display stand	\$350.00
176612	Tower light 3 zone, must buy AD-4691-01	\$750.00
221113	EZiCheck-11 upper breeze break	\$1,100.00
221116	EZiCheck-12 lower breeze break	\$800.00
176618	2 kg transfer plate, single	\$175.00
176619	2 kg Product guides (infeed and conveyor), set of 2	\$800.00
176622	CW extension leg kit - set of four (up to 40 in)	\$495.00
179427	Maintenance kit 2 kg	\$3,000.00
192920	Conveyor connection kit	\$51.00
203601	EZ caster package	\$1,850.00

## Part Number/Price

AD-4961-6K-3050 6 kg		
Part #	Checkweigher	Price
220777	EZiCheck checkweigher 6 kg	\$33,000.00
Part #	Rejector	Price
176609	EZiCheck 6 kg push ram rejector	\$11,000.00
Consult	Flipper rejector	Consult
Consult	Drop rejector	Consult

Assembly is required

## Options/Accessories

Part #	Options / Accessories	Price
176614	EZiCheck-01 display stand	\$350.00
215272	6 kg product guides, set of 2 (infeed or conveyor)	\$850.00
215274	6 kg breeze break	\$2,930.00
176612	Tower light 3 zone, must buy AD-4691-01	\$750.00
176622	CW extension leg kit - set of four (up to 40 in)	\$495.00
186322	Maintenance kit 6 kg	\$3,300.00
203601	EZ caster package	\$1,850.00

IN-MOTION  
WEIGHING

# RT-M

## Roller Top Scale



### Part Number/Price

Part #	Description	Price
201732	MotoWeigh roller top scale	\$6,900.00
220912	Roller conveyor scale painted 680 version	\$6,400.00

\* For 880/880 Plus specifications please see page 512

### Standard Features

- Integrated overload protection
- 4 load cell system
- Mild steel powder-coated frame
- Non- powder-coated rollers
- Consult factory for custom sizes/capacities

### RT-M Specifications

#### Dimensions:

(L × W × H)

54 × 36 × 30 in with +/- 2.5 in height adjustment

#### Capacity:

100 × 0.05 lb

#### Approvals:

Not available on RT-M

### 880 Indicator Specifications

#### Power:

Line voltages: 100 to 240 VAC

#### Excitation Voltage:

10 VDC (+/- 5 VDC), 16 × 350 ohm or 32 × 700 ohm load cells

#### Digital I/O:

Four I/O onboard, primary keys, pseudo functions, batching functions

#### Communication Ports:

RS-232 full duplex or RS-485 half duplex; USB micro A/B connector 2.0; Ethernet TCP/IP

#### Display:

LED, 0.56 in (14 mm), six-digit, 14-segment with decimal or comma

#### Dimensions:

(L × W × H)

Universal: 9.87 × 4.00 × 9.38 in  
(248 × 102 × 235 mm)

#### Approvals:

NTEP CC 13-080 Class III/IIIL, 10,000d

Measurement Canada AM-5931C

OIML R76/2006-A-NL1-18.23 Class III, 10,000d

### 680 Indicator Specifications

#### Power:

Line voltages: 100 to 240 VAC

Frequency: 50 to 60 Hz

#### Excitation Voltage:

10 VDC (± 5 VDC), 8 × 350 ohm or 16 × 700 ohm load cells

#### Digital I/O:

Four configurable I/O - 5V logic

#### Communication Ports:

Two RS-232 (three-wire)

RS-485/422 (five-wire)

Micro USB (device)

Ethernet TCP/IP (10/100)

#### Display:

Seven 0.8 in tall, seven-segment digits

#### Dimensions:

(L × W × H)

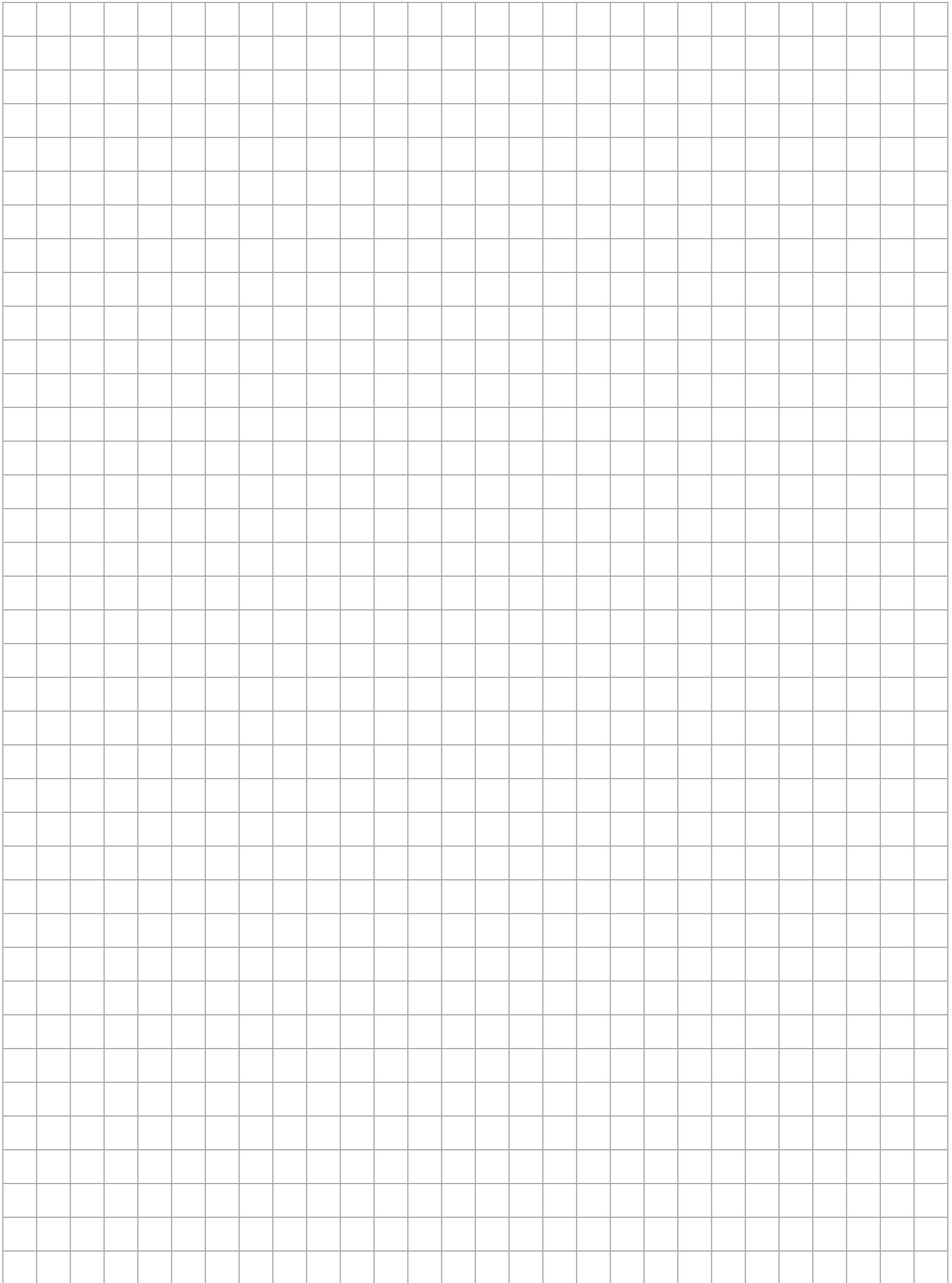
11.58 × 4.05 × 8.57 in  
(294 × 103 × 218 mm)

#### Approvals:

NTEP 19-021, Class III/IIIL, 10,000d

Measurement Canada AM-6121C

OIML R76/2006-A-NL1-19.56



**IN-MOTION  
WEIGHING**



# Junction Boxes / Simulators

## TABLE OF CONTENTS

<b>JB4SS</b> .....	600
<i>TuffSeal® Signal Trim Junction Box</i>	
<b>JB4ES</b> .....	601
<i>TuffSeal® Excitation Trim Junction Box</i>	
<b>JB4SP and JB4SPT</b> .....	602
<i>TuffSeal® Signal Trim Junction Box</i>	
<b>JB4EP and JB4EPT</b> .....	603
<i>TuffSeal® Excitation Trim Junction Box</i>	
<b>EL204</b> .....	604
<i>Signal Trim Junction Box</i>	
<b>EL504</b> .....	605
<i>Signal Trim Junction Box</i>	
<b>JB8SP</b> .....	606
<i>TuffSeal® Signal Trim Junction Box</i>	
<b>JB8SPT</b> .....	607
<i>TuffSeal® Signal Trim Junction Box</i>	
<b>EL304A</b> .....	608
<i>Signal Trim Junction Box</i>	
<b>JB1010T</b> .....	609
<i>Signal/Excitation Trim Junction Box</i>	
<b>JB1010ST</b> .....	610
<i>Signal Trim Junction Box</i>	
<b>Replacement Junction Boxes, Boards or Components</b> .....	611
<b>iQUBE<sup>2</sup></b> .....	612
<i>Digital Diagnostic Junction Box</i>	
<b>EL168</b> .....	615
<i>1-Cell Junction Box</i>	
<b>TP75 DC</b> .....	615
<i>Transient Protection</i>	
<b>UJB3T6 DC</b> .....	616
<i>Transient Protection</i>	
<b>TP232</b> .....	617
<i>High Energy RS-232 Serial Protection</i>	
<b>Ranger 1</b> .....	617
<i>Variable Range Simulator</i>	
<b>Ranger 3</b> .....	618
<i>Variable Range Simulator</i>	
<b>Transducer Simulator 4</b> .....	618
<b>Ranger 5</b> .....	619
<i>Variable Range Simulator</i>	
<b>Ranger 7</b> .....	619
<i>Variable Range Simulator</i>	

The following product names, logos, brands and other trademarks featured or referred to within this publication are the property of their respective trademark holders.

# JB4SS

TuffSeal® Signal Trim Junction Box



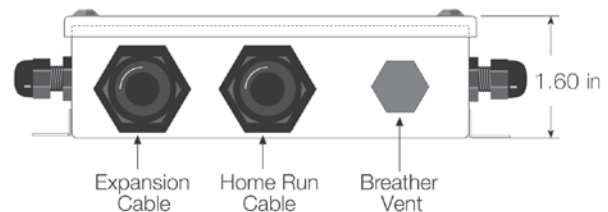
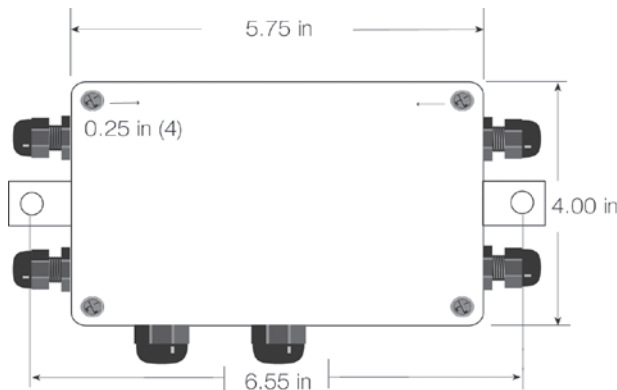
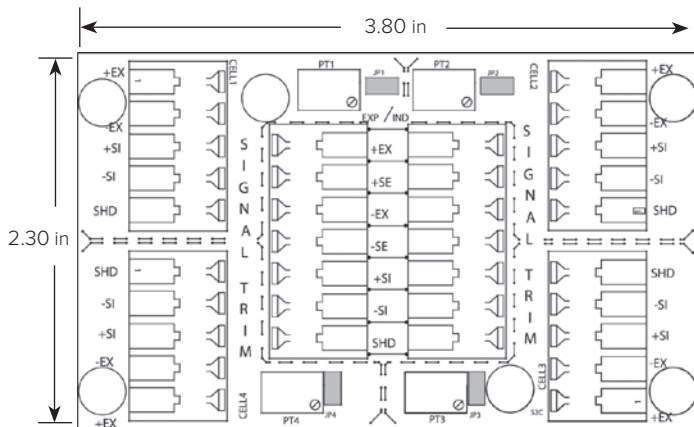
## Approvals



## Part Number/Price

Part #	Description	Price
88956	JB4SS signal trim junction box with PG7 cord grips for load cells	\$275.00
107700	JB4SS signal trim junction box with PG9 cord grips for load cells	\$290.00
88958	Board only	\$175.00
182990	Board only with standoffs	\$180.00
165271	Enclosure only (includes cord grips and filter)	\$150.00

Note: Do not mix junction box models or use other brands of junction boxes with Rice Lake junction boxes. There is a risk of system instability.



## Standard Features

- Stainless steel, NEMA Type 4X enclosure
- Jumpers to enable/disable a load cell
- PreVent™ breather vent
- Conformal coated circuit board
- Number of cells: two, three or four single cells
- Expansion port

## Applications

- Floor, tank, hopper scales

## Specifications

### Cable Fittings:

#### P/N 88956:

- (4) PG7 0.118 to 0.255 strain relief
- (2) PG11 0.197 to 0.394 strain relief

#### P/N 107700:

- (4) PG9 0.138 to 0.315 strain relief
- (2) PG11 0.197 to 0.394 strain relief

### Rating/Material:

- NEMA Type 4X
- Stainless steel

### Connectors:

- Spring clamp screwless, 12 to 28 AWG

### Trimming:

- Individual cell, signal trim

### Temperature Range:

- Operating
- 0 °F to 122 °F (-18 °C to 50 °C)

### Potentiometers:

- 100,000 ohm, 25-turn cermet

### Circuit Board:

- 3.8 × 2.3 in, with conformal coating

### Warranty:

- One-year limited

### Approvals:

- cFMus

JUNCTION BOXES / SIMULATORS





### Standard Features

- Jumpers to enable trimming
- PreVent™ breather vent
- Conformal coated circuit board
- Number of cells: two, three or four single cells
- Expansion port

### Applications

- Floor, tank, hopper scales

### Specifications

#### Cable Fittings:

- (4) PG7 0.118 to 0.255 strain relief
- (2) PG11 0.197 to 0.394 strain relief

#### Rating/Material:

- NEMA Type 4X
- Stainless steel

#### Temperature Range:

- Operating: 0 °F to 122 °F (-18 °C to 50 °C)

#### Connectors:

- Spring clamp screwless, 12 to 28 AWG

#### Trimming:

- Individual cell, excitation trim

#### Potentiometers:

- 100 ohm, 25-turn cermet

#### Circuit Board:

- 3.8 × 2.3 in, with conformal coating

#### Warranty:

- One-year limited

#### Approvals:

- cFMus

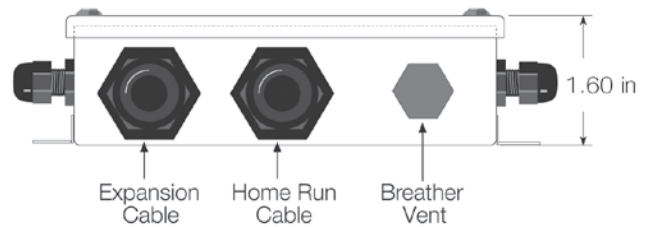
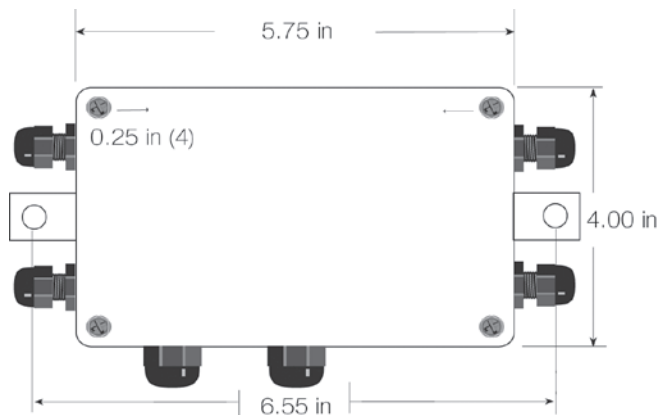
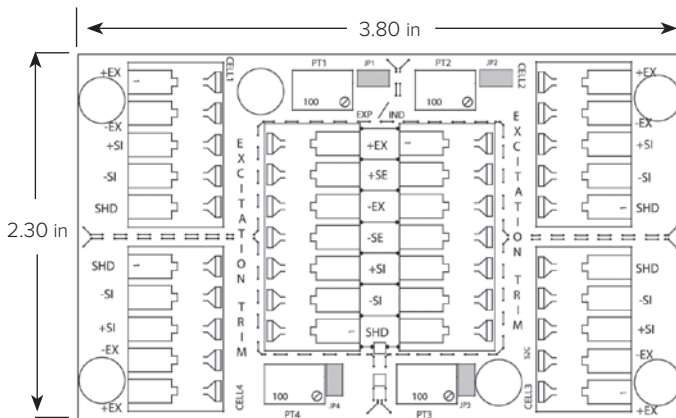
### Approvals



### Part Number/Price

Part #	Description	Price
91779	JB4ES excitation trim junction box	\$275.00
89446	Board only	\$170.00
165271	Enclosure only (includes cord grips and filter)	\$150.00

Note: Do not mix junction box models or use other brands of junction boxes with Rice Lake junction boxes. There is a risk of system instability.



JUNCTION BOXES /  
SIMULATORS

# JB4SP and JB4SPT

TuffSeal® Signal Trim Junction Box



## Approvals



PN 92762  
Not FM approved



## Standard Features

- Jumpers to enable/disable a load cell
- PreVent™ breather vent
- Conformal coated circuit board
- Number of cells: two, three or four single cells
- Expansion port

## Applications

- Tank and hopper scales

## Specifications

### Cable Fittings:

- (4) PG7 0.118 to 0.255 strain relief
- (2) PG11 0.197 to 0.394 strain relief

### Rating/Material:

NEMA Type 4X  
Polycarbonate with overlapping solid cover,  
stainless steel screws

### Temperature Range:

Operating:  
0 °F to 122 °F (-18 °C to 50 °C)

### Connectors:

Spring clamp screwless, 12 to 28 AWG

### Trimming:

Individual cell, signal trim

### Potentiometers:

100,000 ohm, 25-turn cermet

### Circuit Board:

3.8 × 2.3 in, with conformal coating

### Warranty:

One-year limited

### Approvals:

cFMus

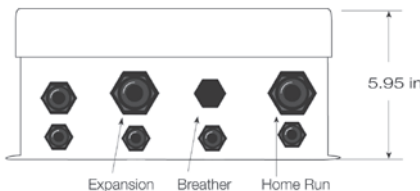
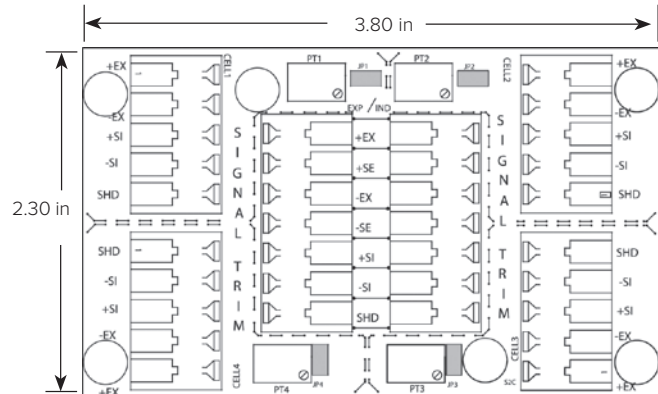
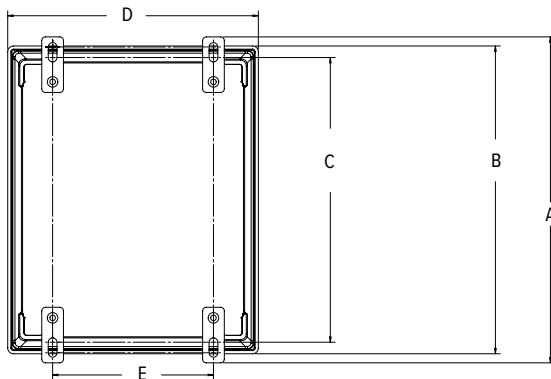
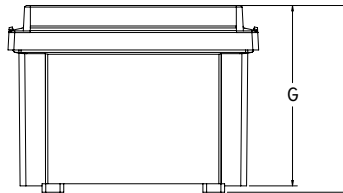
## Part Number/Price

Part #	Description	Price
91780	JB4SP signal trim four-channel with expansion	\$285.00
92762	JB4SPT signal trim with transient protection (not FM approved)	\$475.00
88958	Board only	\$175.00
89894	Transient board	\$235.00
165272	Enclosure only (does not include cord grips and filter)	\$145.00

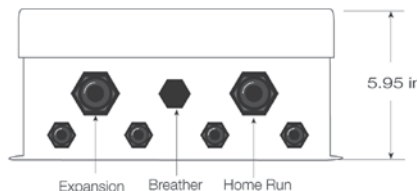
Note: Do not mix junction box models or use other brands of junction boxes with Rice Lake junction boxes. There is a risk of system instability.

## Dimensions

Enclosure			
A	10.04 in	E	4.00 in
B	9.52 in	F	5.95 in
C	8.50 in	G	5.71 in
D	7.43 in		



JB4SPT



JB4SP

JUNCTION BOXES / SIMULATORS

# JB4EP and JB4EPT

TuffSeal® Excitation Trim Junction Box



Photo of JB4EP



## Standard Features

- Jumpers to enable/disable a load cell
- PreVent™ breather vent
- Conformal coated circuit board
- Number of cells: two, three or four single cells
- Expansion port

## Applications

- Tank and hopper scales

## Specifications

### Cable Fittings:

- (4) PG7 0.118 to 0.255 strain relief
- (2) PG11 0.197 to 0.394 strain relief

### Rating/Material:

NEMA Type 4X  
Polycarbonate with overlapping solid cover, stainless steel screws

### Temperature Range:

Operating:  
0 °F to 122 °F (-18 °C to 50 °C)

### Connectors:

Spring clamp screwless, 12 to 28 AWG

### Trimming:

Individual cell, excitation trim

### Potentiometers:

100 ohm, 25-turn cermet

### Circuit Board:

3.8 × 2.3 in, with conformal coating

### Warranty:

One-year limited

## Approvals



PN 92763

Not FM approved

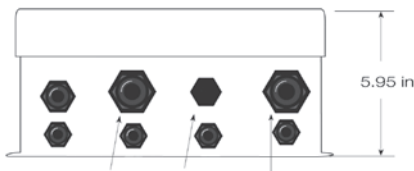
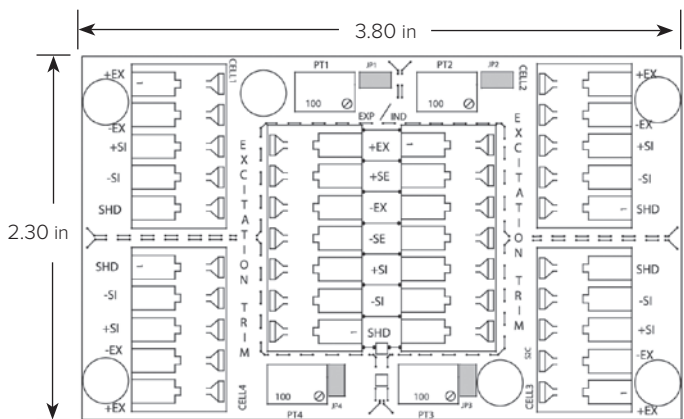
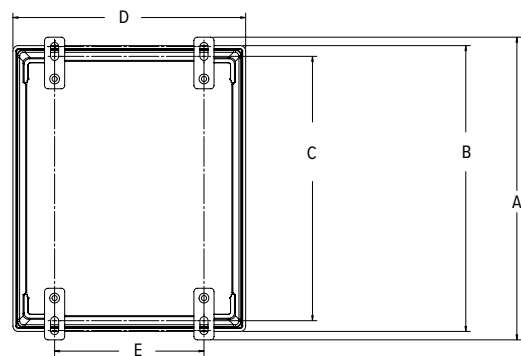
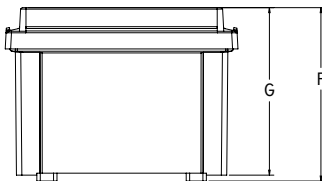
## Part Number/Price

Part #	Description	Price
91781	JB4EP excitation trim junction box	\$285.00
92763	JB4EPT excitation trim junction box with transient protection (not FM approved)	\$475.00
89446	Board only	\$170.00
89894	Transient board	\$235.00
165272	Enclosure only (does not include cord grips or filter)	\$145.00

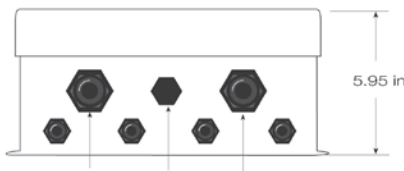
Note: Do not mix junction box models or use other brands of junction boxes with Rice Lake junction boxes. There is a risk of system instability.

## Dimensions

Enclosure			
A	10.04 in	E	4.00 in
B	9.52 in	F	5.95 in
C	8.50 in	G	5.71 in
D	7.43 in		



JB4EPT



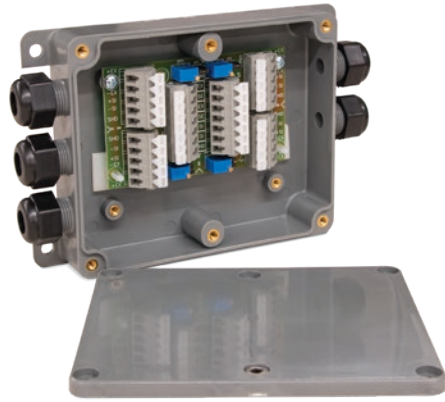
JB4EP

Load Cell  
Cord Grips  
on Bottom

JUNCTION BOXES /  
SIMULATORS

# EL204

Signal Trim Junction Box



## Standard Features

- ABS enclosure with molded-in cable fittings
- Number of cells: two, three or four single cells

## Applications

- Floor, hopper, tank or livestock applications

## Specifications

### Cable Fittings:

Five water tight nylon compression fittings, 0.210 × 0.280 in

### Connectors:

Spring clamp screwless, 12 to 28 AWG

### Enclosure:

ABS with molded through-fittings, sealed six-screw lid

### Temperature Range:

Operating: 0 °F to 122 °F (-18 °C to 50 °C)

### Trimming:

Individual cell trim, signal trim

### Potentiometers:

100,000 ohm, 25-turn cermet

### Circuit Board:

3.8 × 2.3 in, with conformal coating

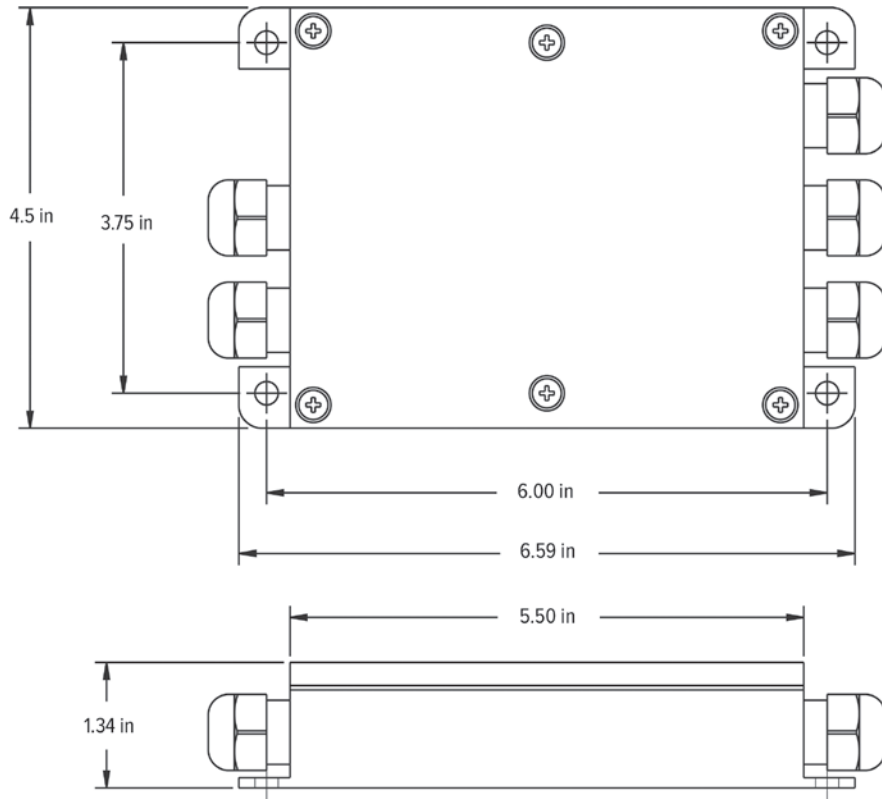
### Warranty:

One-year limited

## Part Number/Price

Part #	Description	Price
73428	EL204 junction box	\$225.00
88958	Board only	\$175.00

Note: Do not mix junction box models or use other brands of junction boxes with Rice Lake junction boxes. There is a risk of system instability.



JUNCTION BOXES / SIMULATORS



### Standard Features

- Strain relief cable fittings
- Removable connectors for easy wiring
- Number of cells: two or four single cells (even number of cells only)

### Applications

- Truck and floor scales
- Limited space installations

### Specifications

#### Cable Fittings:

Five nylon 0.187 to 0.312 in cable strain reliefs

#### Connectors:

Electrovert 0.197 in (5.0 mm) miniature two piece connectors. Maximum wire size #14 AWG; connectors are removable for easy wiring.

#### Trimming:

Individual cell trim, signal trim

#### Potentiometers:

100,000 ohm, 25-turn cermet

#### Temperature Range:

Operating:  
0 °F to 122 °F (-18 °C to 50 °C)

#### Rating/Material:

NEMA Type 4X, 40 psi washdown  
Stainless steel

#### Circuit Board:

6.5 × 1.5 in, with anti-fungal coating

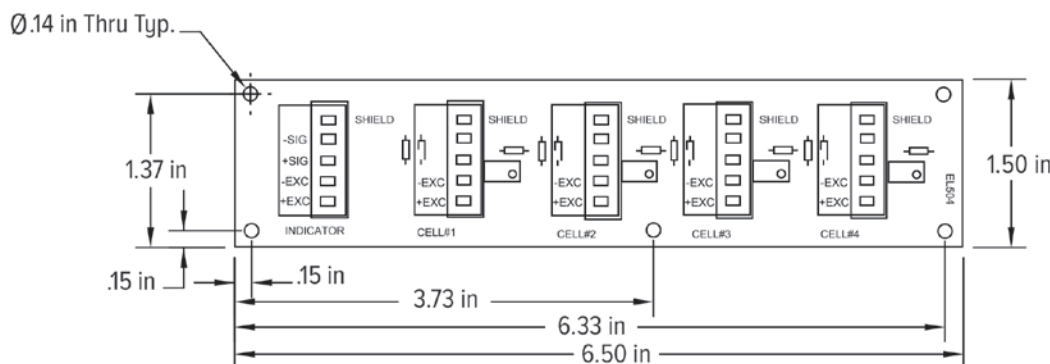
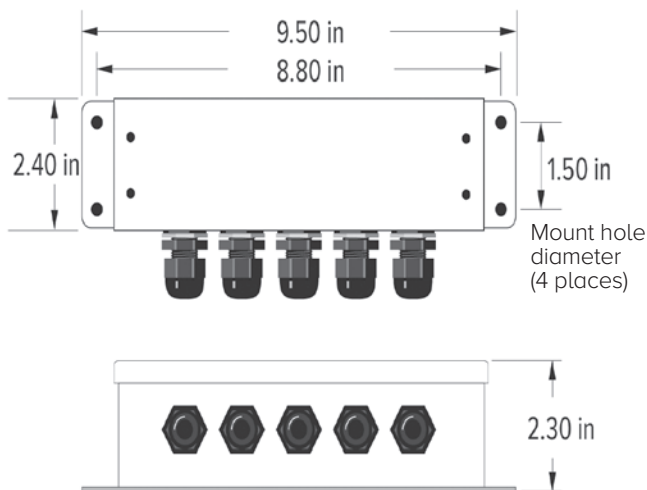
#### Warranty:

One-year limited

### Part Number/Price

Part #	Description	Price
21165	EL504 signal trim junction box	\$395.00
21296	Board only	\$275.00
165274	Enclosure only (includes cord grips and cover)	\$175.00

Note: Do not mix junction box models or use other brands of junction boxes with Rice Lake junction boxes. There is a risk of system instability. Any unused channels require modification.



# JB8SP

TuffSeal® Signal Trim Junction Box



## Approvals



## Part Number/Price

Part #	Description	Price
91782	JB8SP signal trim eight-channel with expansion	\$465.00
173807	JB8SP signal trim eight-channel with expansion, FM approved	\$495.00
89889	Board only	\$395.00
172415	Board only, FM approved	\$415.00
165273	Enclosure only (does not include cord grips and filter)	\$165.00

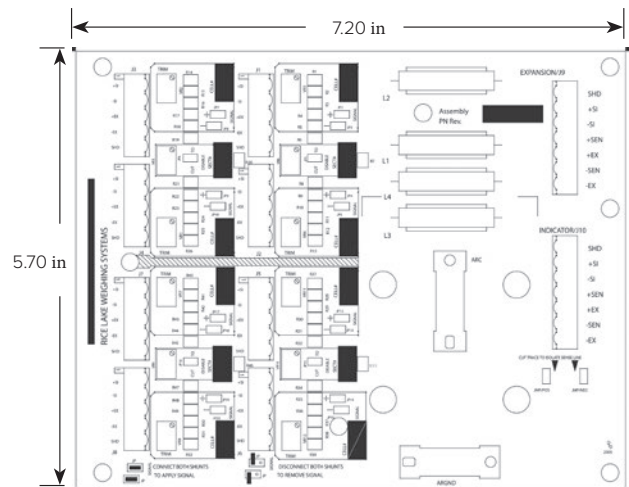
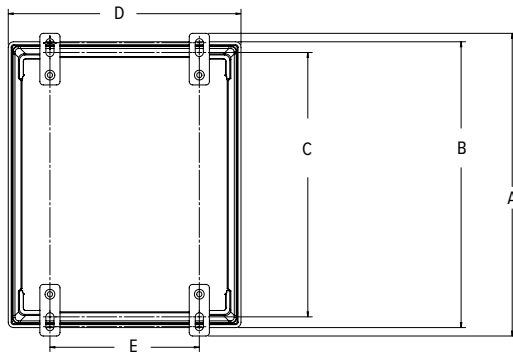
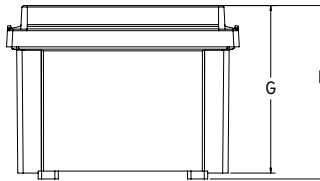
Note: Do not mix junction box models or use other brands of junction boxes with Rice Lake junction boxes. There is a risk of system instability.

## Options/Accessories

Part #	Description	Price
215178	Mounting tabs-new style (set of 4, includes screws), polycarbonate	\$15.00
92734	Coupling, 1/2-inch NPT cord grip to 3/4-inch NPT conduit fitting	\$27.00
92735	Coupling, 3/8-inch NPT cord grip to 3/4-inch NPT conduit fitting	\$27.00

## Dimensions

Enclosure			
A	12.13 in	E	9.32 in
B	11.45 in	F	5.98 in
C	11.38 in	G	6.95 in
D	10.59 in		



## Standard Features

- Polycarbonate, NEMA Type 4X enclosure
- PreVent™ breather vent
- Conformal coated circuit board
- Removable load cell connectors
- Section and individual cell trim capability
- Number of cells: two, four, six or eight single load cells (even number of cells only)
- Expansion port

## Applications

- Truck, livestock and railroad scales

## Specifications

### Cable Fittings:

- (9) 3/8 in NPT 0.157 to 0.314 in
- (2) 1/2 in NPT 0.272 to 0.472 in

### Rating/Material:

NEMA Type 4X  
Polycarbonate with overlapping solid cover, stainless steel screws

### Connectors:

Pluggable screw type, 12 to 28 AWG

### Trimming:

Individual cell trim, range

### Potentiometers:

100,000 ohm, 25 turn cermet

### Temperature Range:

Operating:  
0 °F to 122 °F (-18 °C to 50 °C)

### Circuit Board:

5.7 × 7.2 in with conformal coating

### Warranty:

One-year limited





## Standard Features

- Transient protection
- PreVent™ breather vent
- Conformal coated circuit board
- Removable load cell connectors
- Section and individual cell trim capability
- Field replaceable transient protection
- One coupling, 0.5 inch NPT cord grip to 0.75-inch NPT conduit fitting for homerun cable
- Number of cells: two, four, six or eight single load cells (even number of cells only)
- Expansion port

## Applications

- Truck, livestock and railroad scales

## Specifications

### Cable Fittings:

- (9) 3/8 in NPT 0.157 to 0.314 in
- (2) 1/2 in NPT 0.272 to 0.472 in

### Rating/Material:

NEMA Type 4X  
Polycarbonate with overlapping solid cover, stainless steel screws

### Connectors:

Pluggable screw type, 12 to 28 AWG

### Trimming:

Individual cell trim

### Potentiometers:

100,000 ohm, 25-turn cermet

### Temperature Range:

Operating:  
0 °F to 122 °F (-18 °C to 50 °C)

### Circuit Board:

5.7 × 7.2 in with conformal coating

### Warranty:

One-year limited

## Part Number/Price

Part #	Description	Price
91783	JB8SPT signal trim junction box with transient protection	\$700.00
89889	Board only	\$395.00
89894	Transient board	\$235.00
165273	Enclosure only (does not include cord grips and filter)	\$165.00

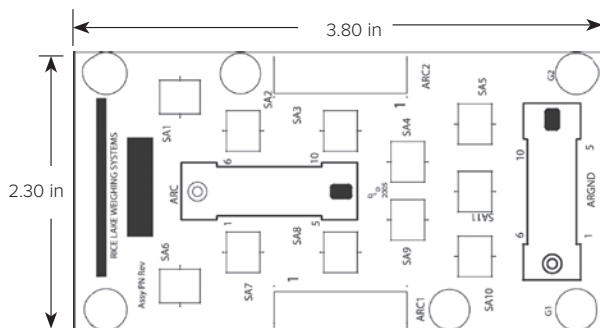
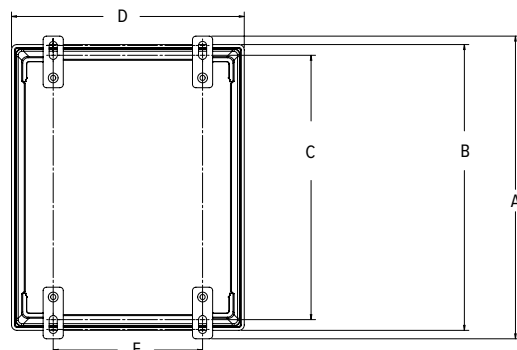
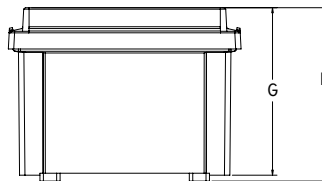
Note: Do not mix junction box models or use other brands of junction boxes with Rice Lake junction boxes. There is a risk of system instability.

## Options/Accessories

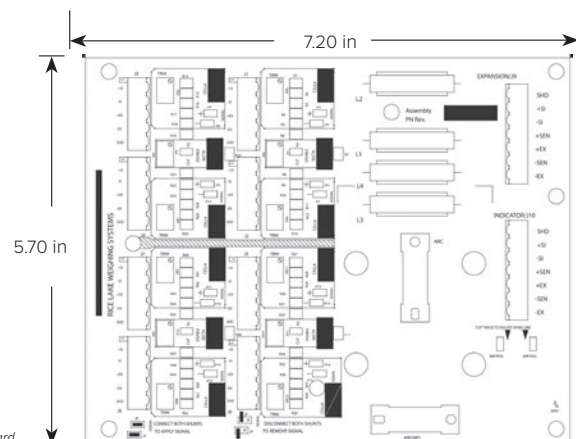
Part #	Description	Price
215178	Mounting tabs-new style (set of 4, includes screws), polycarbonate	\$15.00
92734	Coupling, 1/2-inch NPT cord grip to 3/4-inch NPT conduit fitting	\$27.00
92735	Coupling, 3/8-inch NPT cord grip to 3/4-inch NPT conduit fitting	\$27.00

## Dimensions

Enclosure			
A	12.13 in	E	9.32 in
B	11.45 in	F	5.98 in
C	11.38 in	G	6.95 in
D	10.59 in		



Transient Board

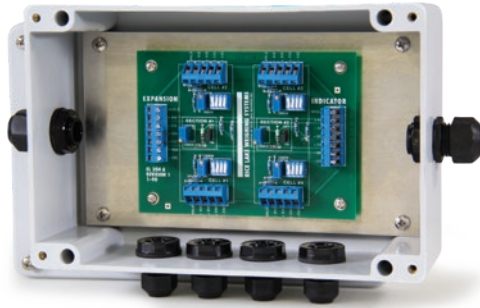


Load Cell Board

JUNCTION BOXES /  
SIMULATORS

# EL304A

Signal Trim Junction Box



## Part Number/Price

Part #	Description	Price
21169	EL304A signal trim four-channel junction box	\$325.00
21301	Board only	\$235.00
165275	Enclosure only (includes cord grips)	\$180.00

Note: Do not mix junction box models or use other brands of junction boxes with Rice Lake junction boxes. There is a risk of system instability.

## Standard Features

- Strain relief cable fittings
- Individual cell signal disconnect switches
- Number of cells: two or four single cells (even number of cells only)
- Corner and/or section trim applications
- Expansion port

## Applications

- Livestock scales
- Tank and vessel weighing

## Specifications

### Cable Fittings:

Four nylon cable strain reliefs  
0.079 to 0.236 in  
Two nylon cable strain reliefs  
0.236 to 0.354 in

### Connectors:

Electrovert 0.197 in (5.0 mm) miniature screw terminals. Maximum wire size #14 AWG

### Trimming:

Individual cell and section, signal trim

### Potentiometers:

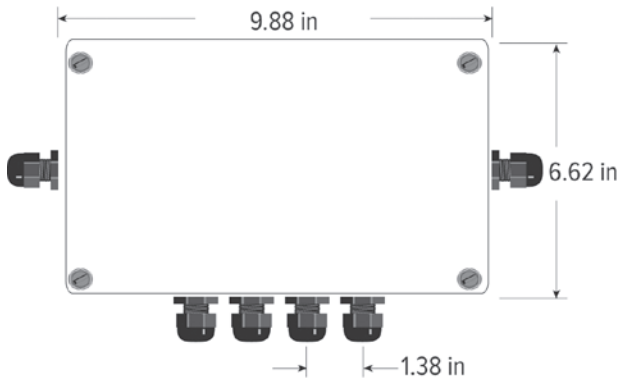
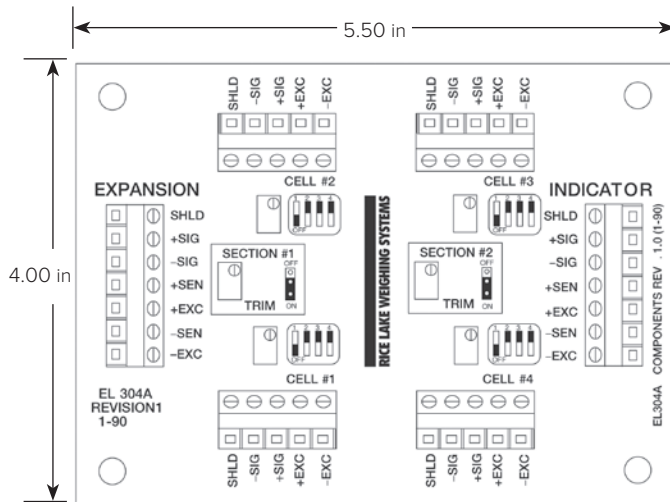
100,000 ohm, 25-turn cermet

### Rating/Material:

NEMA Type 4X, 40 psi washdown  
Fiberglass Reinforced Polyester (FRP)

### Warranty:

One-year limited



JUNCTION BOXES / SIMULATORS

# JB1010T

Signal/Excitation Trim Junction Box



## Standard Features

- Transient protection
- Signal or excitation trim
- Front panel mounting
- Strain relief cable fittings
- Number of cells: 1 through 10
- Trims odd numbers of cells without modification

## Applications

- Tank, truck, railroad, hopper and floor scales
- Universal field replacement of existing boxes
- Expansion of existing scales

## Specifications

### Mounting Centers:

3.75 × 2.31 in (95.2 × 58.7 mm)

### Cable Fittings:

Nylon waterproof strain-relief type

### Temperature Range:

Operating: 0 °F to 122 °F (-18 °C to 50 °C)

### Cable Diameter:

0.079 to 0.314 in

### Potentiometers:

100,000 ohm, 25-turn cermet

### Trimming:

Individual cell and section signal and excitation trimming

### Rating/Material:

NEMA Type 4X

Fiberglass Reinforced Polyester (FRP)

### Terminal Block:

Rated 300V/15A; 7-position screw terminal can each accommodate up to #16 AWG

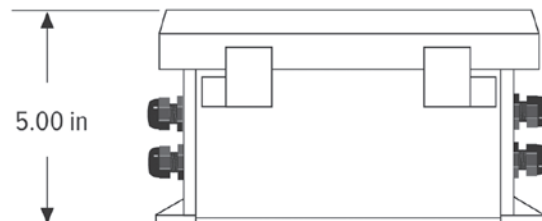
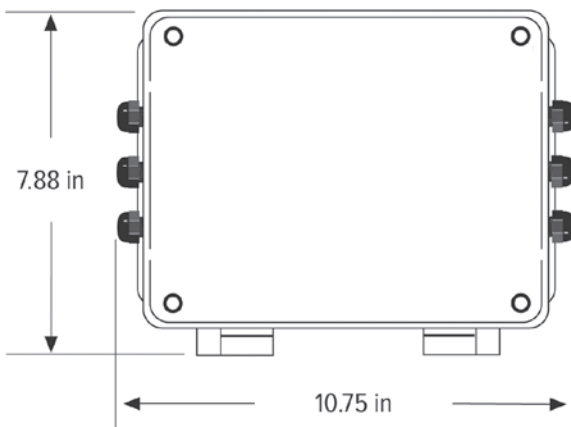
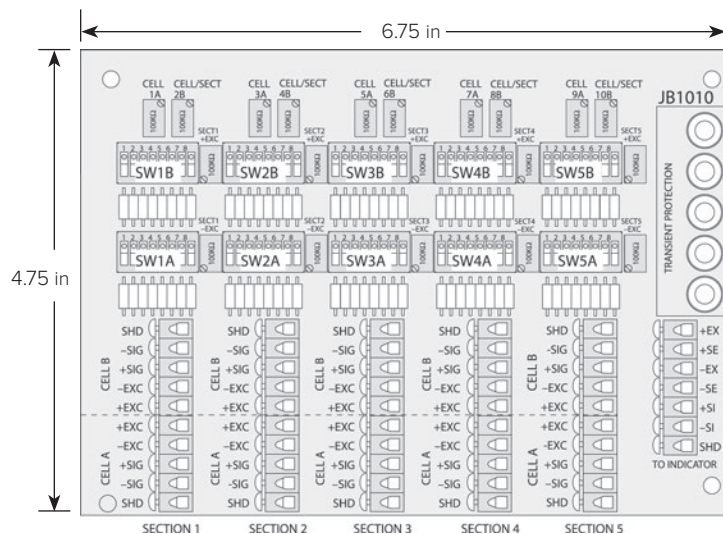
### Warranty:

One-year limited

## Part Number/Price

Part #	Description	Price
36231	JB1010 signal/excitation trim junction box	\$685.00
36351	Board only	\$475.00
165276	Enclosure only (includes cord grips)	\$275.00

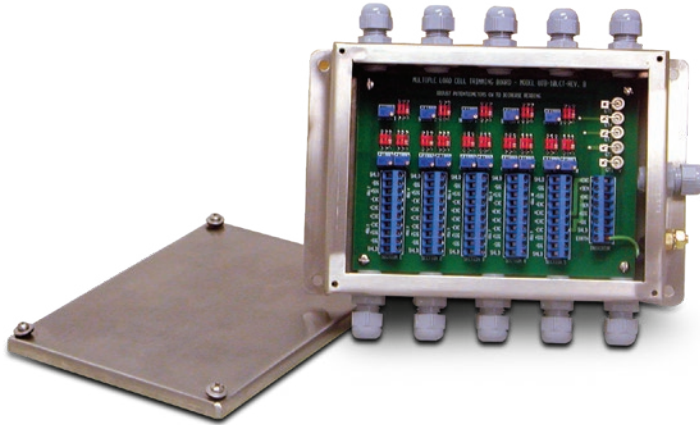
Note: Do not mix junction box models or use other brands of junction boxes with Rice Lake junction boxes. There is a risk of system instability.



JUNCTION BOXES /  
SIMULATORS

# JB1010ST

Signal Trim Junction Box



## Standard Features

- Transient protection using gas discharge tubes
- Stainless steel, NEMA Type 4X enclosure
- Section and individual cell trim capability
- Compact enclosure only 1.75 in deep
- Strain relief cable fitting
- Number of cells: two, four, six, eight or 10 single load cells
- Legal for Trade sealing screws, wire and seal included

## Applications

- Tank, truck and railroad scales
- Summing 10 load cells with individual and section trimming capability

## Specifications

### Cable Fittings:

11 nylon cable strain reliefs for cable dimension range: 0.079 to 0.314 in

### Connectors:

Electrovert 0.197 miniature screw terminals  
Five positions  
Maximum wire size: #14 AWG  
External enclosure ground stud

### Trimming:

Individual cell and section signal trim

### Potentiometers:

100,000 ohm, 25-turn cermet, individual trim  
100 ohm, for section trimming

### Rating/Material:

NEMA Type 4X  
Stainless steel

### Temperature Range:

Operating:  
0 °F to 122 °F (-18 °C to 50 °C)

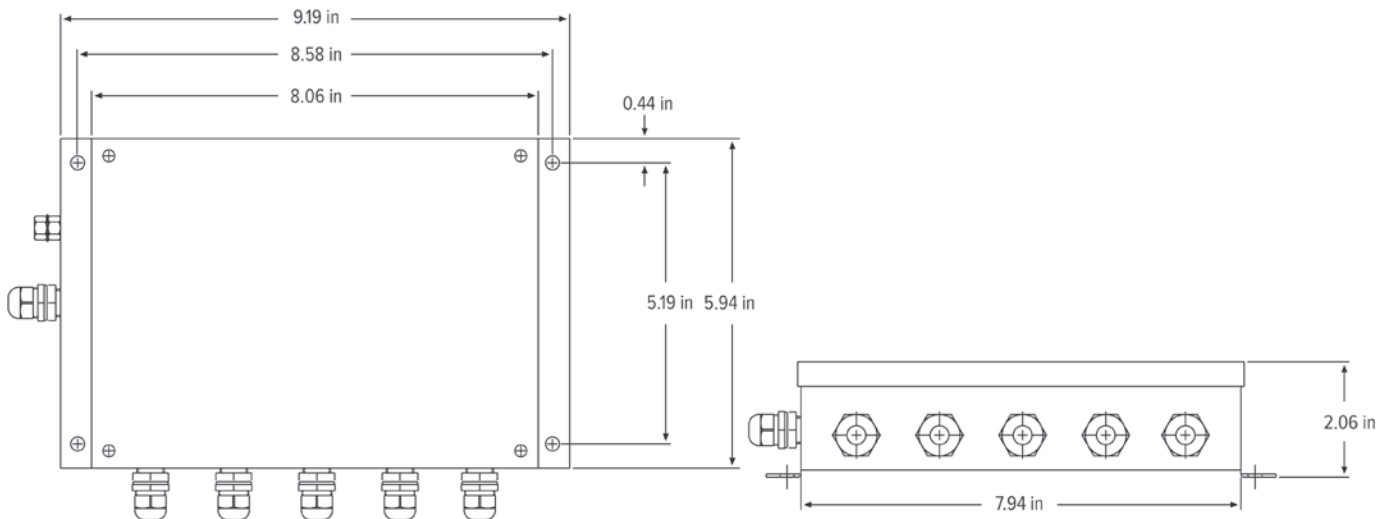
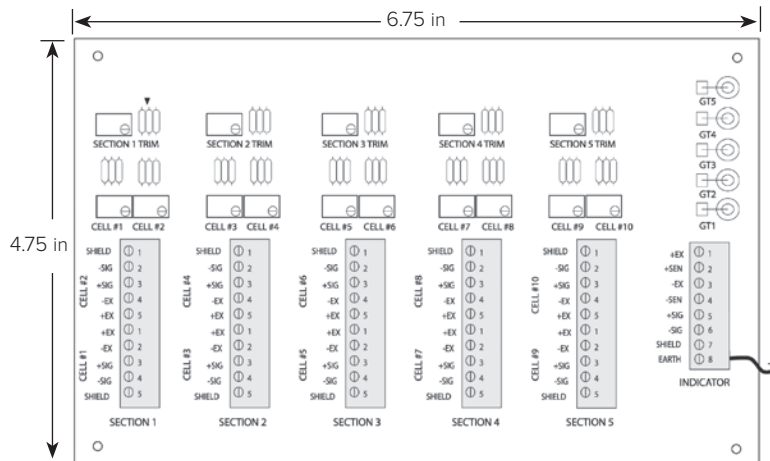
### Warranty:

One-year limited

## Part Number/Price

Part #	Description	Price
68813	JB1010ST signal trim junction box	\$615.00
68811	Board only	\$465.00
165277	Enclosure only (includes cord grips)	\$485.00

Note: Do not mix junction box models or use other brands of junction boxes with Rice Lake junction boxes. There is a risk of system instability. Any unused channels require modification.



JUNCTION BOXES / SIMULATORS

# Replacement Junction Boxes, Boards or Components

Model	Complete J-Box Replacement	Replacement Board Only	Replacement Cord Grips	Replacement Pressure & Condensation Vent	Desiccant Pack
JB4SS	<b>88956</b> \$275.00	<b>88958</b> \$175.00	<b>58983</b> =PG7, \$5.00 <b>59001</b> =PG11 \$3.70	<b>88733</b> PreVent™ breather (vent) \$22.00 <b>88734</b> (vent nut) \$1.05	<b>92240</b> \$1.17
JB4ES	<b>91779</b> \$275.00	<b>89446</b> \$170.00	<b>58983</b> =PG7, \$5.00 <b>59001</b> =PG11 \$3.70	<b>88733</b> PreVent™ breather (vent) \$22.00 <b>88734</b> (vent nut) \$1.05	<b>92240</b> \$1.17
JB4SP JB4SPT	<b>91780</b> \$285.00 <b>92762</b> \$475.00	<b>88958</b> (load cell) \$175.00 & <b>89894</b> (transient protection) \$235.00	<b>58983</b> =PG7, \$5.00 <b>59001</b> =PG11 \$3.70	<b>88733</b> PreVent™ breather (vent) \$22.00 <b>88734</b> (vent nut) \$1.05	<b>16039</b> \$2.23
JB4EP JB4EPT	<b>91781</b> \$285.00 <b>92763</b> \$475.00	<b>89446</b> (load cell) \$170.00 & <b>89894</b> (transient protection) \$235.00	<b>58983</b> =PG7, \$5.00 <b>59001</b> =PG11 \$3.70	<b>88733</b> PreVent™ breather (vent) \$22.00 <b>88734</b> (vent nut) \$1.05	<b>16039</b> \$2.23
EL204	<b>73428</b> \$225.00	<b>88958</b> \$175.00	N/A	N/A	N/A
JB8SP	<b>91782</b> \$465.00 <b>173807</b> FM approved \$495.00	<b>89889</b> \$395.00 <b>172415</b> FM approved \$415.00	<b>15655</b> (cord grip) \$2.10 & <b>15656</b> (nut) \$1.05 =3/8" NPT <b>15628</b> (cord grip) \$5.00 & <b>15630</b> (nut) \$3.00 =1/2" NPT	<b>88733</b> PreVent™ breather (vent) \$22.00 <b>88734</b> (vent nut) \$1.05	<b>16039</b> \$2.23
JB8SPT	<b>91783</b> \$700.00	<b>89889</b> (load cell) \$395.00 & <b>89894</b> (transient protection) \$235.00	<b>15655</b> (cord grip) \$2.10 & <b>15656</b> (nut) \$1.05 =3/8" NPT <b>15628</b> (cord grip) \$5.00 & <b>15630</b> (nut) \$3.00 =1/2" NPT	<b>88733</b> PreVent™ breather (vent) \$22.00 <b>88734</b> (vent nut) \$1.05	<b>16039</b> \$2.23
EL304A	<b>21169</b> \$325.00	<b>21301</b> \$235.00	N/A	N/A	N/A
JB1010	<b>36231</b> \$685.00	<b>36351</b> \$475.00	N/A	N/A	N/A
JB1010ST	<b>68813</b> \$615.00	<b>68811</b> \$465.00	N/A	N/A	N/A
EL210	<b>91781</b> , JB4EP* \$285.00	<b>92472</b> \$155.00	<b>58983</b> =PG7, \$5.00 <b>59001</b> =PG11 \$3.70	N/A	N/A
EL211A	<b>91780</b> , JB4SP* \$285.00 (However the board does not have section trim capabilities)	<b>92473</b> , \$160.00 (However the board does not have section trim capabilities)	<b>58983</b> =PG7, \$5.00 <b>59001</b> =PG11 \$3.70	N/A	N/A
EL604-AL	<b>88956</b> , JB4SS* \$275.00	<b>88958</b> \$175.00	<b>58983</b> =PG7, \$5.00 <b>59001</b> =PG11 \$3.70	N/A	N/A
EL604STA	<b>88956</b> , JB4SS* \$275.00	<b>88958</b> \$175.00	<b>58983</b> =PG7, \$5.00 <b>59001</b> =PG11 \$3.70	N/A	N/A
EL604ETA	<b>91779</b> , JB4ES* \$275.00	<b>89446</b> \$170.00	<b>58983</b> =PG7, \$5.00 <b>59001</b> =PG11 \$3.70	N/A	N/A
EL504	<b>21165</b> \$395.00	<b>21296</b> \$275.00	N/A	N/A	N/A
JB808S	<b>91782</b> , JB8SP* \$465.00	<b>92471</b> \$385.00	<b>15655</b> (cord grip) \$2.10 & <b>15656</b> (nut) \$1.05 =3/8" NPT <b>15628</b> (cord grip) \$5.00 & <b>15630</b> (nut) \$3.00 =1/2" NPT	N/A	N/A
JB818ST	<b>91783</b> , JB8SPT* \$700.00	Need (1) <b>77445</b> \$68.00 (1) <b>89889</b> \$395.00, & (1) <b>89894</b> \$235.00	<b>15655</b> (cord grip) \$2.10 & <b>15656</b> (nut) \$1.05 =3/8" NPT <b>15628</b> (cord grip) \$5.00 & <b>15630</b> (nut) \$3.00 =1/2" NPT	N/A	N/A

\*See catalog pages for enclosure dimensions

JUNCTION BOXES /  
SIMULATORS





### Approvals



Measurement  
Canada  
Approved



### Standard Features

- iQUBE<sup>2</sup> board has four A/D channels
- Supports networking up to four boards, for 16 A/D channels; connection can be up to four separate platforms with a system total, or four separate scale systems
- Diagnostic routines for weighing errors and system health
- Cell tests for overloaded, underloaded, zero reference, drift, noise and unbalanced conditions
- Onboard status LEDs for communication and visual bi-color indication of cell health
- Cell emulator compensates for load cell failure until a repair can be made

- Cal-Match<sup>®</sup> algorithm automatically trims and calibrates the scale in one pass of test weights (stopping over each mount)
- Standard communications
- Option card slot for fiber optic, Ethernet TCP/IP, wireless TCP/IP, USB or RS-232/RS-485
- Communicates to 920i<sup>®</sup>, 1280, VIRTUj<sup>2</sup><sup>®</sup> using ASCII (EDP) serial commands

### Applications

- Truck and railroad scales
- Tank and hopper scales
- Multi-channel scales

### Specifications

#### Voltage Input:

115/230 VAC power supply  
DC/DC converter for 9 to 36V  
6 to 12 V DC to CPU

#### Analog Signal Input Range:

-78 to +78 mV

#### Analog Signal Sensitivity:

0.3 uV/grad at 30 Hz  
0.5 uV/grad at 100 Hz  
1.2 uV/grad at 500 Hz

#### A/D Sampling Rate:

2.5 to 500 Hz (selectable)

#### Digital I/O:

Four per card, for push-button operation, setpoint control or cell status

#### Communication Ports:

RS-232/RS-422

#### Load Cell Inputs:

Four channels per board  
up to four excitation boards

#### Load Cell Excitation:

5 V DC, 57 mA maximum per channel

#### Temperature Range:

Certified:  
14 °F to 104 °F (-10 °C to 40 °C)  
Operating:  
-13 °F to 140 °F (-25 °C to 60 °C)  
Storage:  
-13 °F to 158 °F (-25 °C to 70 °C)

#### Rating/Material:

Polycarbonate (NEMA Type 4X) enclosure with overlapping solid cover, stainless steel screws  
Stainless steel (NEMA Type 4X) enclosure with hinged cover

#### Warranty:

Two-year limited

#### Approvals:

NTEP 03-032A1  
Measurement Canada AM-5561  
cULus E151461  
CE Marked

### Part Number/Price

Part #	Description	Est. Weight	Price
<b>With AC Power Supply</b>			
108425*	iQUBE <sup>2</sup> , four-channel, polycarbonate 8 × 10 in junction box	9 lb	\$1,300.00
108426	iQUBE <sup>2</sup> , four-channel, polycarbonate 10 × 12 in junction box	11 lb	\$1,500.00
108427	iQUBE <sup>2</sup> , eight-channel, polycarbonate 10 × 12 in junction box	11 lb	\$2,500.00
108428*	iQUBE <sup>2</sup> , four-channel, stainless steel 8 × 10 in junction box	13 lb	\$2,450.00
<b>Without Power Supply</b>			
108429*	iQUBE <sup>2</sup> , four-channel, polycarbonate 8 × 10 in junction box	8 lb	\$1,200.00
108430	iQUBE <sup>2</sup> , four-channel, polycarbonate 10 × 12 in junction box	10 lb	\$1,400.00
108431	iQUBE <sup>2</sup> , eight-channel, polycarbonate 10 × 12 in junction box	10 lb	\$2,400.00
108432*	iQUBE <sup>2</sup> , four-channel, stainless steel 8 × 10 in junction box	12 lb	\$2,350.00
<b>Conduit Adapters</b>			
92734	Conduit adapter 3/8 in NTP to 3/4 in NPT		\$27.00
92735	Conduit adapter 1/2 in NTP to 3/4 in NPT		\$27.00

\* Enclosure size 8 × 10 in required for truck scale junction box pocket

Note: Do not mix junction box models or use other brands of junction boxes with Rice Lake junction boxes. There is a risk of system instability.



Options/Accessories

Part #	Description	Price
108433	Four-channel iQUBE <sup>2</sup> board with cables and connectors	\$1,000.00
97475	DC/DC power supply, 9-36 VDC (requires factory installation)	\$255.00
108434	Remote power supply 115/230 VAC and transient board with enclosure	\$450.00
109396	Transient board	\$90.00
110949	Transient board with mount	\$110.00
161954	Hotspot in polycarbonate enclosure	\$3,195.00
215178	Mounting tabs-new style (set of 4, includes screws), polycarbonate	\$15.00
<b>Communication Card</b>		
108579	RS-232/RS-485 port	\$285.00
77142	Ethernet TCP/IP	\$420.00
206272	Wireless LAN 802.11 A/B	\$610.00
93245	USB port	\$185.00
77143	Fiber-optic board	\$220.00
77788	Fiber-optic board (installed in 920i)	\$220.00
<b>Duplex Fiber (Max Run 350 ft)</b>		
78026	Fiber-optic cable, 100 ft	\$175.00
78027	Fiber-optic cable, 200 ft	\$328.00
78910	Fiber-optic cable, custom length	\$1.75/ft
<b>Home Run Cable</b>		
116587	EL166 16 gauge, six conductor, shielded	\$2.65/ft
<b>Software</b>		
108436	VIRTUI <sup>2</sup> activation part number	\$550.00
112262	Firmware update flash cable	\$65.00
<b>920i® Indicators for use with iQUBE2, requires version 4 software</b>		
77790	920i Universal, 115 VAC, without A/D	\$2,750.00
77791	920i Universal, 230 VAC, without A/D	\$2,750.00
93243	920i Deep Universal, 115 VAC, without A/D	\$3,000.00
93244	920i Deep Universal, 230 VAC, without A/D	\$3,000.00
77792	920i Panel Mount, 115 VAC, without A/D	\$2,750.00
77793	920i Panel Mount, 230 VAC, without A/D	\$2,750.00
77794	920i Wall Mount, 115 VAC, without A/D	\$3,550.00
77795	920i Wall Mount, 230 VAC, without A/D	\$3,550.00
<b>1280 Indicators for use with iQUBE2</b>		
189623	1280 7 inch touch-only, AC power supply, no power cord, standard display, without A/D	\$2,880.00
188526	1280 7 inch touch-only, AC power supply, no power cord, high visibility display, without A/D	\$2,980.00
188395	1280 12 inch touch-only, AC power supply, no power cord, high visibility display, without A/D	\$4,045.00
181073	1280 Panel Mount, DC power supply, no power cord, standard display, without A/D	\$2,880.00
178473	1280 Panel Mount, AC power supply, no power cord, high visibility display, without A/D	\$2,980.00
205677	1280 Wall Mount, AC power supply, U.S. power cord, standard display, without A/D	\$3,480.00
171667	1280 Wall Mount, AC power supply, U.S. power cord, high visibility display, without A/D	\$3,580.00
174750	1280 Panel Mount, AC power supply, no power cord, standard display, without A/D	\$2,880.00
174207	1280 Universal, AC power supply, Europe power cord, standard display, without A/D	\$3,080.00
171582	1280 Universal, AC power supply, U.S. power cord, standard display, without A/D	\$3,550.00
188713	1280 Universal, DC power supply, no power cord, standard display, without A/D	\$3,080.00
171540	1280 Universal, DC power supply, no power cord, high visibility display, without A/D	\$3,180.00
172419	1280 Universal, AC power supply, U.S. power cord, high visibility display, without A/D	\$3,180.00

JUNCTION BOXES / SIMULATORS



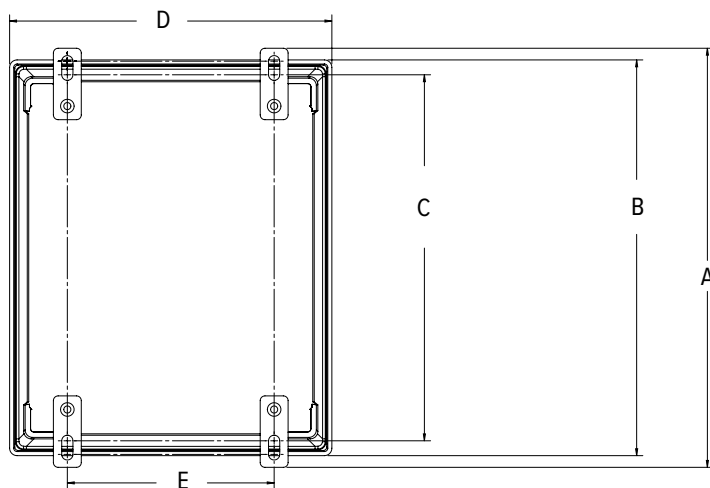
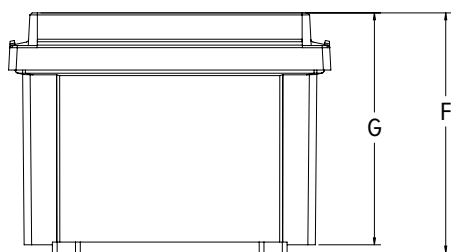
Fiber Optic Transceiver  
RS-232/RS-422/RS-485  
Ethernet TCP/IP  
Wireless Ethernet

Sample Configurations

Not an actual system—illustrates connectivity

### Dimensions

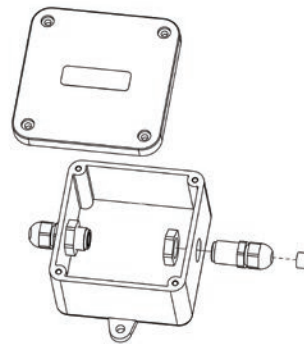
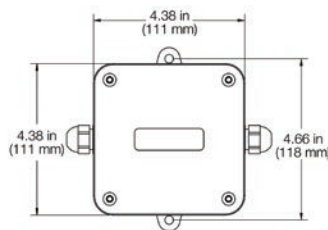
iQUBE <sup>2</sup>			
Stainless Steel 8 × 10 in			
A	11.50 in (292 mm)	E	6.00 in (152 mm)
B	10.30 in (262 mm)	F	4.30 in (109 mm)
C	10.90 in (277 mm)	G	4.20 in (107 mm)
D	8.30 in (211 mm)		
POLY 8 × 10 in			
A	10.10 in (257 mm)	E	4.00 in (102 mm)
B	9.50 in (241 mm)	F	6.00 in (152 mm)
C	8.50 to 9.30 in (216 to 236 mm)	G	5.70 in (145 mm)
D	7.40 in (188 mm)		
POLY 10 × 12 in			
A	12.10 in (307 mm)	E	6.00 in (152 mm)
B	11.50 in (292.1 mm)	F	7.00 in (178 mm)
C	10.50 to 11.30 in (267 to 287 mm)	G	6.70 in (170 mm)
D	9.30 in (236 mm)		





### Part Number/Price

Part #	Description	Price
21161	EL168 one-cell junction box	\$80.00



### Standard Features

- Non-metallic PVC enclosure with separate input and output cable fittings
- No soldering, compression or swaged fittings are required

### Applications

- For splicing or extending load cell cable

### Specifications

#### Dimensions:

(L × W × H)  
4.0 × 4.0 × 2.5 in

#### Temperature Range:

Operating: 0 °F to 122 °F (-18 °C to 50 °C)

#### Cable Fittings:

Nylon waterproof strain-relief type

#### Cable Diameter:

0.079 to 0.314 in (2 to 8 mm)

#### Terminal Block:

Rated 300 V/15 A; seven-position, screw terminal can each accommodate up to #16 AWG

#### Warranty:

One-year limited

# TP75 DC

## Transient Protection



### Standard Features

- Protects load cells and indicators from voltage transients
- Avalanche diode design
- Full six-wire with shield protection
- NEMA Type 4X enclosure
- Unlimited number of parallel load cells; up to eight in series
- Terminal lugs provided

### Applications

- Tank, bin and hopper scales
- Truck and railroad scales
- Suitable for outdoor use

### Part Number/Price

Part #	Description	Price
33185	TP75 DC transient protection	\$335.00

### Options/Accessories

Part #	Description	Price
31164	Circuit board only	\$260.00

### Specifications

#### Protection Type:

Six-wire type with separate shield

#### Maximum Excitation Voltage:

22.8 VDC

#### Response Time:

Five nanoseconds

#### Peak Surge Currents:

100 amps

#### Grounding:

10 AWG wire or larger (not provided)

#### Cable Fitting:

Two nylon strain relief for 0.187 to 0.312 in diameter cable

#### Enclosure:

Impact-resistant polycarbonate NEMA Type 4X, maximum 40 psi washdown

#### Temperature:

Operating:  
-4 °F to 149 °F (-20 °C to 65 °C)

#### Dimensions:

(L × W × H)  
3.16 × 2.20 × 1.18 in

#### Warranty:

One-year limited

# UJB3T6 DC

Transient Protection



## Standard Features

- Protects load cells from voltage transients
- Compatible with signals down to 1  $\mu$ V per grad
- Factory serviceable
- Full six-wire with shield protection
- #6 SEMS screw type; accepts spade lugs, tinned leads or bare wires up to #12 AWG
- Up to eight parallel or summed load cells

## Applications

- Installations exposed to significant transients
- Protects serial communication lines

## Specifications

### Protection Type:

Six-wire type with separate shield

### Maximum Excitation Voltage:

20 VDC or 20 VAC

### Clamping Voltage:

75 VDC or 75 VAC

### Clamping Time:

75 VDC Stages <100 nanoseconds typical

### Peak Surge Currents:

75 VDC Stage, 5,000 amps

### Maximum Serial Transmission Rate:

50K baud

### Series Resistance:

0.219 ohm typical

### Series Inductance:

110  $\mu$ H typical

### Grounding:

20 ft insulated #10 AWG wire

### Cable Fitting:

Two nylon strain relief for 0.079 to 0.236 in diameter cable

### Enclosure:

NEMA Type 4X, maximum 40 psi washdown  
Fiberglass Reinforced Polyester (FRP)

### Temperature Range:

Operating:  
4 °F to 104 °F (-10 °C to 40 °C)

### Circuit Board:

6.75 × 4.75 in with anti-fungal coating

### Dimensions:

(L × W × H)  
7.63 × 6.63 × 3.25 in

### Warranty:

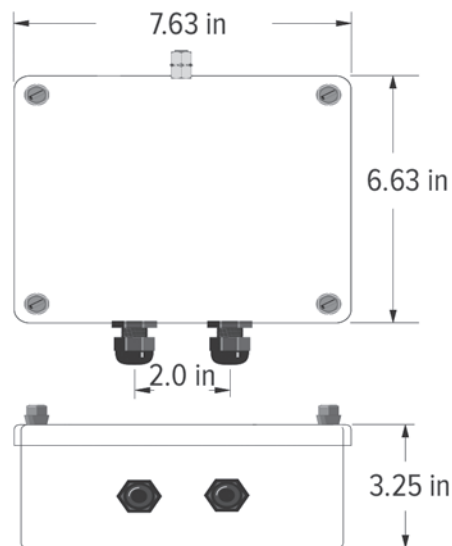
One-year limited

## Part Number/Price

Part #	Description	Price
21134	UJB3T6	\$495.00

## Options/Accessories

Part #	Description	Price
21135	Six-wire load cell transient protector, board only	\$285.00



JUNCTION BOXES /  
SIMULATORS

# TP232

High Energy RS-232 Serial Protection



## Standard Features

- Two metal mounting brackets
- Three stages of protection: Gas discharge tube, series resistor and transient voltage suppressor (TVS)
- Two terminal posts for ground
- RS-232 high energy surge protector
- Terminal blocks for transmit, receive, request to send, clear to send and signal ground
- Safe for use with computers and PLCs
- Also works with RS-485, RS-422 and 20 mA

## Applications

- Indicators
- Remote displays
- Printers
- Computers
- PLC

## Specifications

- Clamping Voltage (Stage One):**  
72 V DC minimum, 108 V DC maximum
- Series Resistance (Stage Two):**  
2.7 ohm
- Clamping Voltage (Stage Three):**  
14.3 V minimum, 15.7 V maximum
- Temperature:**  
Operating Range  
0 °F to 122 °F (-18 °C to 50 °C)
- Clamping Time:**  
Less than 5 < 10-9 seconds
- Connectors:**  
Five-position terminal blocks
- Dimensions:**  
(L x W x H)  
Approximately 4.5 x 3.3 x 1.8 in
- Approvals:**  
CE marked
- Warranty:**  
One-year limited

Approvals



## Part Number/Price

Part #	Description	Price
69201	TP232	\$187.00

## Options/Accessories

Part #	Description	Price
17778	12 in ground strap	\$22.00
17781	24 in ground strap	\$22.00
69516	Additional installation manual	\$6.00

# Ranger 1

Variable Range Simulator



## Standard Features

- ABS plastic case, weighs less than 1 lb
- Large vernier knob, smooth 10-turn potentiometer
- Ideal tool for troubleshooting a scale system, bench testing stability of indicators and setpoint simulation

## Specifications

- Variable Range:**  
0 to 3 mV/V
- Impedance:**  
700 ohm nominal
- Temperature:**  
Operating Range  
0 °F to 122 °F (-18 °C to 50 °C)
- Connectors:**  
Binding posts suitable for banana plug or 14 gauge wire
- Temperature Coefficient:**  
±100 ppm/°C
- Dimensions:**  
(L x W x H)  
4.5 x 3.5 x 1.25 in  
(114 x 89 x 32 mm)
- Warranty:**  
One-year limited

## Part Number/Price

Part #	Description	Price
68029	Ranger 1 variable range simulator	\$160.00

## Options/Accessories

Part #	Description	Price
21116	Cable (4 ft) with banana plugs	\$68.00

JUNCTION BOXES /  
SIMULATORS

# Ranger 3

Variable Range Simulator



## Part Number/Price

Part #	Description	Price
68030	Ranger 3 simulator	\$425.00

## Options/Accessories

Part #	Description	Price
21116	Cable (4 ft) with banana plugs	\$68.00

## Standard Features

- ABS plastic case, weighs less than 1 lb
- Fixed rotary switch, -0.5 mV/V to 4.5 mV/V in nine steps of 0.5 mV/V per step
- Ideal tool for calibrating the indicator A/D offset and gain setting
- A/D calibration steps for -0.5 mV/V for offset and 4.5 mV/V for gain
- Used in troubleshooting and testing of systems

## Specifications

**Range:**  
-0.5 mV/V to 4.5 mV/V

**Impedance:**  
350 ohm nominal

**Nonlinearity:**  
Less than 0.02%

**Connectors:**  
Binding posts suitable for banana plug or 14-gauge wire

**Temperature Coefficient:**  
±5 ppm/°C

**Dimensions:**  
(L × W × H)  
4.5 × 3.5 × 1.25 in

**Warranty:**  
One-year limited

# Transducer Simulator 4



## Part Number/Price

Part #	Description	Price
22513	Transducer simulator 4	\$835.00

## Options/Accessories

Part #	Description	Price
21116	Cable (4 ft) with banana plugs	\$68.00

## Standard Features

- Designed for high accuracy
- Sealed lid with neoprene O-ring
- Dustproof and crush tested to 500 lb
- Four operational modes include: vernier adjustment, calibrated adjustment, 0.25 mV/V offset and 0.50 mV/V offset
- Ideal for setpoint or batching simulation

## Specifications

**Range:**  
Choose any fixed setting ± 0.25 mV or 0.50 mV through a 10-turn wire-wound potentiometer with locking clutch, fixed and variable

**Maximum Voltage:**  
15 V

**Linearity:**  
Less than ± 0.02% full scale

**Temperature Coefficient:**  
Absolute 5 ppm/°C; tracking less than 0.5 ppm/°C

**Load Factors:**  
Simulates one, two, three, four or eight 350 ohm load cells; or two, four, six, eight or 16 700 ohm load cells

**Offset:**  
+0.25 mV/V for use with digitally calibrated meters requiring positive dead load for calibration

**Connectors:**  
Binding posts, suitable for loose wires or banana jacks

**Warranty:**  
One-year limited



# Ranger 5

Variable Range Simulator



## Standard Features

- ABS plastic case, weighs less than 1 lb
- Fixed rotary switch, -0.5 mV/V to 4.5 mV/V in nine steps of 0.5 mV/V per step
- 10-turn vernier knob with locking graduated dial
- Vernier selection of four ranges: Off, Fine, Medium and Coarse
- Ideal tool for calibrating indicator A/D offset and gain setting
- A/D calibration steps for -0.5 mV/V for offset and 4.5 mV/V for gain
- Used in testing, troubleshooting and calibrating digital weight indicator

## Specifications

- Fixed Steps:**  
-0.5 mV/V to 4.5 mV/V
- Vernier:**  
Variable range: up to 0.5 mV/V, up to 1 mV/V, up to 1.5 mV/V
- Impedance:**  
350 ohm nominal
- Nonlinearity:**  
Less than 0.02%
- Connectors:**  
Binding posts suitable for banana plug or 14 gauge wire
- Temperature Coefficient:**  
± 5 ppm/ °C
- Dimensions:**  
(L × W × H)  
4.5 × 3.5 × 1.25 in
- Warranty:**  
One-year limited

## Part Number/Price

Part #	Description	Price
68031	Ranger 5 simulator	\$510.00

## Options/Accessories

Part #	Description	Price
21116	Cable (4 ft) with banana plugs	\$68.00

# Ranger 7

Variable Range Simulator



## Standard Features

- High resolution design
- Used in high precision testing, troubleshooting and calibrating digital weight indicators
- Switchable offset
- Painted die-cast enclosure

## Specifications

- Vernier:**  
Two ranges; one is equal to the sum of the 0.05 mV/V switch and the 0 to 0.5 mV/V switch. The other is the sum of the 0.5 mV/V, 0.1 mV/V and 0.01 mV/V switches.
- Load Impedance:**  
Three settings:  
X0.5: 700 ohm  
X1: 350 ohm (one standard load cell)  
X4: 87.5 ohm (four load cell platform)
- Linearity:**  
± 0.01% + 1µV
- Connectors:**  
Low Thermal Electronics, Type 2758 precision gold plated binding posts, standard banana jacks or 14 AWG wire
- Temperature Coefficient:**  
5 ppm/ °C
- Zero Offset:**  
± 0.0005 mV/V
- Output Range:**  
0 to 3 mV/V in 0.01 mV/V steps
- LED Annunciators:**  
EXC +  
EXC -  
Offset ON  
0.5 mV/V  
0.1 mV/V
- Warranty:**  
One-year limited

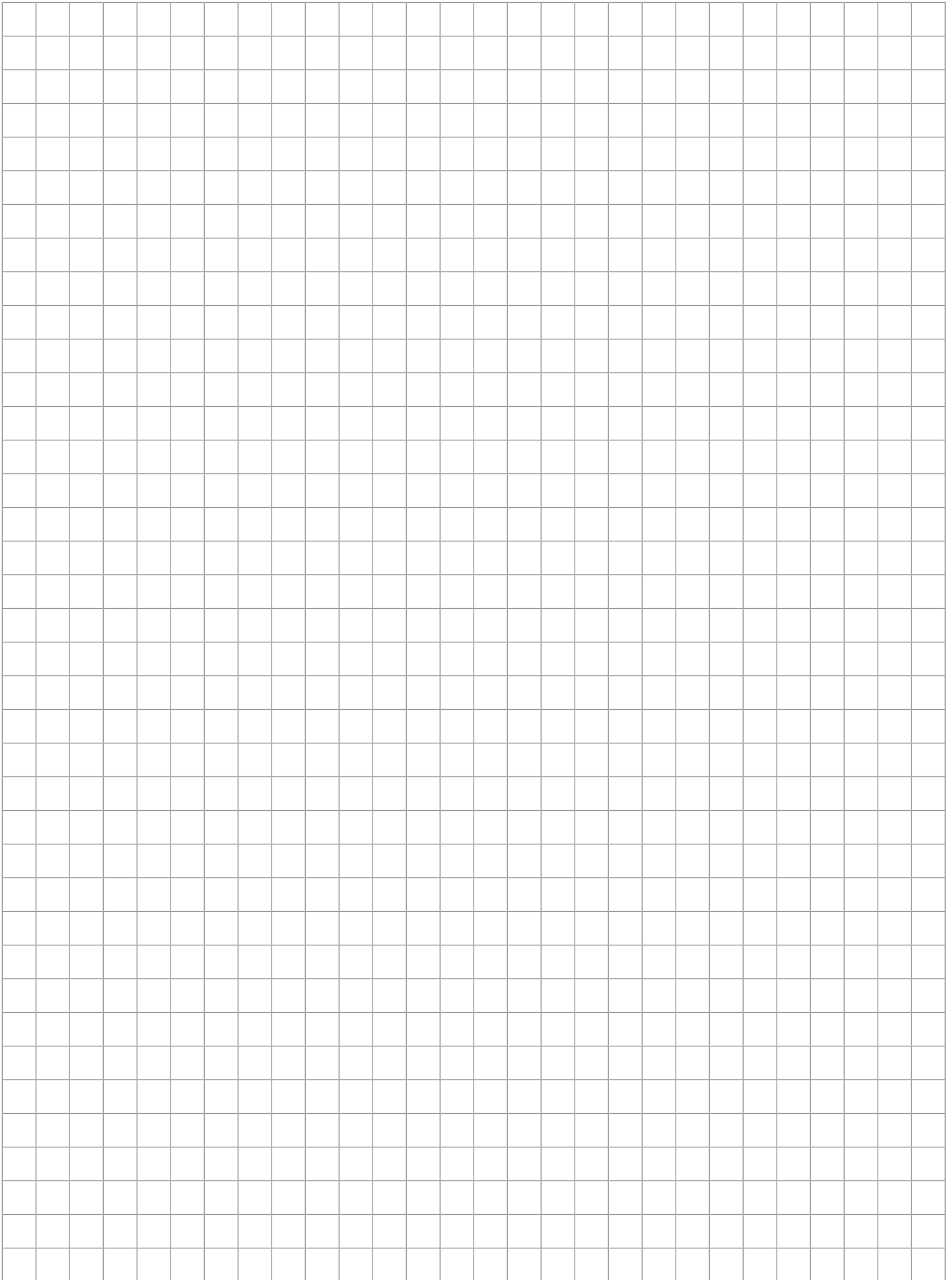
## Part Number/Price

Part #	Description	Price
157323	Ranger 7 high resolution calibration simulator	\$995.00

## Options/Accessories

Part #	Description	Price
21116	Cable (4 ft) with banana plugs	\$68.00

JUNCTION BOXES /  
SIMULATORS



# Livestock Scales

---

## TABLE OF CONTENTS

<b>RoughDeck® SLV</b> .....	<b>622</b>
<i>Single Animal Livestock Scale</i>	
<b>RoughDeck® EQ</b> .....	<b>624</b>
<i>Equine Floor Scale and Indicator Package</i>	
<b>Farm Bars</b> .....	<b>626</b>
<i>With 380 Indicator</i>	
<b>Farm Bars</b> .....	<b>627</b>
<i>Without Instrumentation</i>	

The following product names, logos, brands and other trademarks featured or referred to within this publication are the property of their respective trademark holders.

# RoughDeck® SLV

Single Animal Livestock Scale



Approvals



## Part Number/Price

Part #	Capacity	Outside Dimensions	Est. Weight	Price
103617	4,000 lb, 20 ft without Quick Connect, modified to fit gate and rack (scale platform only)	8 × 3 ft	565 lb	\$3,300.00
78452	4,000 lb, 20 ft without Quick Connect (gate and rack not included) (scale platform only)	8 × 3 ft	565 lb	\$3,300.00
103619	4,000 lb, 20 ft without Quick Connect, modified to fit gate and rack (scale platform only)	8 × 4 ft	750 lb	\$3,400.00
78453	4,000 lb, 20 ft without Quick Connect (gate and rack not included) (scale platform only)	8 × 4 ft	750 lb	\$3,400.00
<b>RoughDeck SLV 4,000 lb Bundle Package (Ships Assembled)</b>				
124192	Includes: scale, 2 swing gates and racks, kick plates, 482 digital indicator, factory calibration	8 × 3 ft	1,200 lb	\$6,000.00
160100	Includes: scale, 2 sliding gates and racks, kick plates, 482 digital indicator, factory calibration	8 × 3 ft	1,310 lb	\$8,800.00
124193	Includes: scale, 2 swing gates and racks, kick plates, 482 digital indicator, factory calibration	8 × 4 ft	1,500 lb	\$6,500.00
Consult	Includes: scale, 2 sliding gates and racks, kick plates, 482 digital indicator, factory calibration	8 × 4 ft	-	Consult

## Standard Features

- Mild steel construction
- Rugged diamond safety treadplate deck
- Rigid structural steel channel frame
- NEMA Type 4X stainless steel side-access junction box without quick connector
- Signal trim summing board
- Four adjustable stainless steel SUREFOOT™ support feet
- SURVIVOR® EL147HE hostile environment load cell cable
- Four alloy steel load cells

## Specifications

**Full Scale Capacity:**

4,000 lb, 1 lb increments

**End Load Capacity:**

125% full scale

**Cable Length:**

20 ft (6 m)

**Warranty:**

Two-year limited (scale only)

**Approvals:**

NTEP 92-001 Class III 4,000d

*Capacity not to exceed 4,000 lb x 1 lb and platform size not to exceed 32 sq ft*

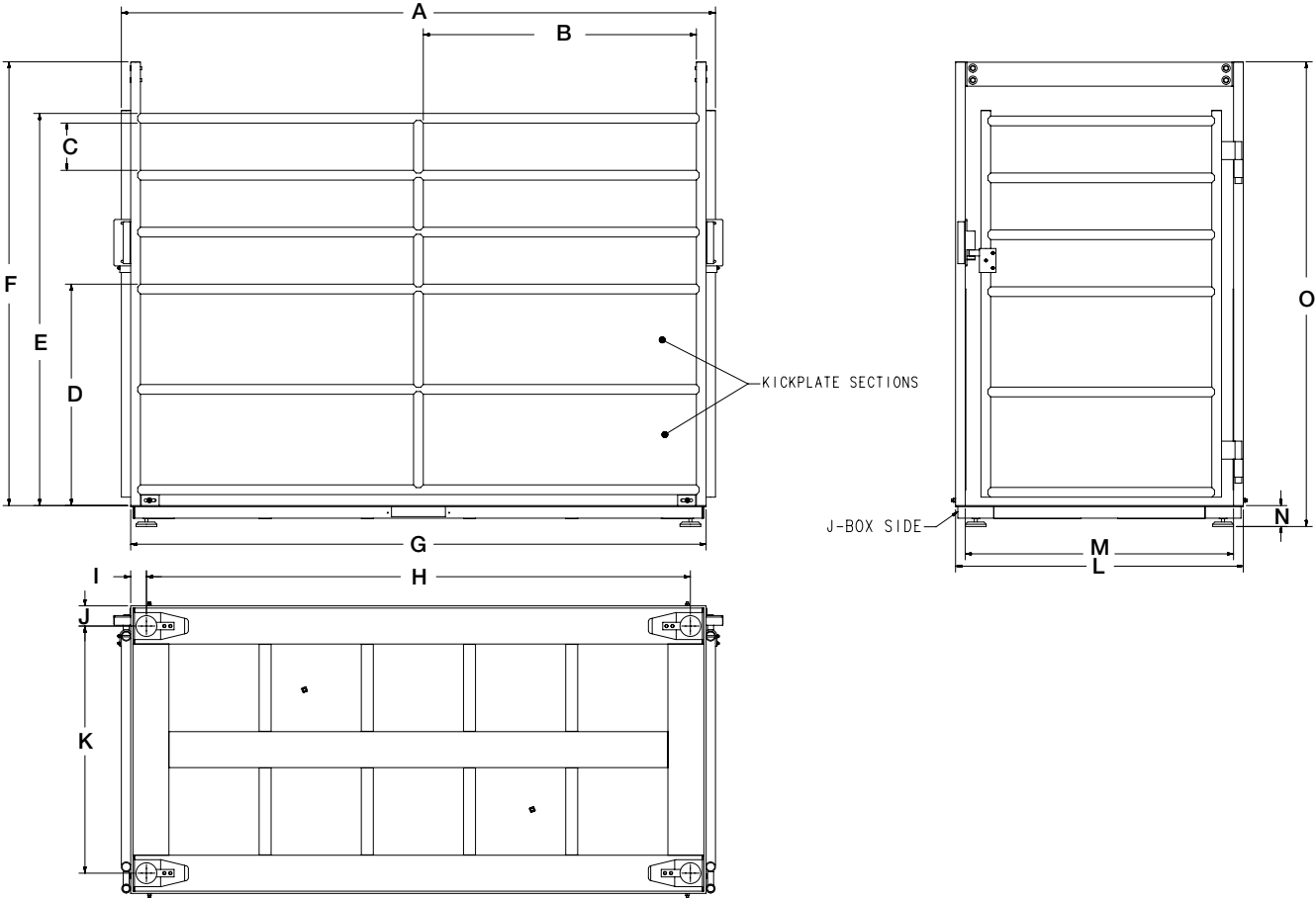
## Options/Accessories

Part #	Description	Price
Consult	Smooth deck instead of diamond safety tread plate	N/C
Consult	Stainless steel load cells (RL32018S IP66) and hardware	\$120.00 list price add-on
Consult	Stainless steel hermetically sealed load cells (RL32218S-HE IP69K) and hardware	\$440.00 list price add-on
Consult	Angle iron bolted to scale for wood deck provisions (wood to be supplied by customer)	\$225.00
Consult	Rubber mat	Consult
Consult	Slide gate	Consult
18777	Floor anchor plates, mild steel (set of 2)	\$38.00
18778	Floor anchor plates, stainless steel (set of 2)	\$50.00

LIVESTOCK SCALES

# RoughDeck® SLV

Single Animal Livestock Scale



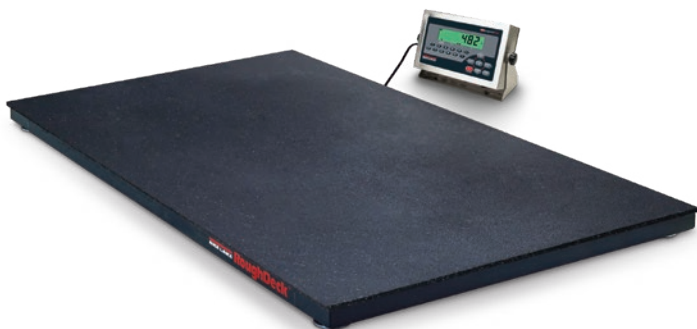
### Dimensions

RoughDeck SLV			
3 × 8 ft			
A	99.12 in	I	2.63 in
B	45.56 in	J	3.38 in
C	7.88 in	K	29.25 in
D	36.95 in	L	36.00 in
E	65.45 in	M	32.75 in
F	74.00 in	N	3.50 in
G	95.00 in	O	77.58 in
H	90.75 in		
4 × 8 ft			
A	99.12 in	I	2.63 in
B	45.56 in	J	3.38 in
C	7.88 in	K	41.25 in
D	36.95 in	L	48.00 in
E	65.45 in	M	44.75 in
F	74.00 in	N	3.50 in
G	95.00 in	O	77.58 in
H	90.75 in		

LIVESTOCK SCALES

# RoughDeck® EQ

Equine Floor Scale and Indicator Package



## Standard Features

- Package includes 4 ft × 6 ft × 4.25 in floor scale with stall mat, 20 ft of SURVIVOR EL147HE hostile environment load cell cable and indicator
- Mat thickness 0.75 in

### Scale

- Heavy-duty design with structural steel channel frame
- Stall mat to reduce noise and instill equine comfort
- 4 adjustable stainless steel SUREFOOT™ support feet
- Powder-coated black matte finish

### Indicator

- LCD backlit display for a variety of environments
- Battery backed time and date
- Communication ports for connecting to a variety of peripherals

## RoughDeck EQ Specifications

### End Load Capacity:

100% full scale at 2,500 lb

### Load Cells:

Model RL32018 alloy steel environmentally sealed IP66

### Junction Box:

Side access, TuffSeal JB4SS stainless steel, NEMA Type 4X with a signal card

### Feet:

Stainless steel SUREFOOT, adjustable (+0.25 in or -0.125 in) for leveling the scale

### Finish:

Powder coat painted, black matte

### Cable Length:

20 ft (6.1 m) for connecting scale junction box to indicator

### Threaded Eyebolt:

One lifting hole located in center of scale for easy install (requires 1/2-20NF eyebolt, not included)

### Warranty:

Two-year limited

## 482 Specifications

### Power:

Line voltages: 100 to 240 VAC  
Frequency: 50/60 Hz  
DC voltages: n/a

### Communication Ports:

Com 1: RS-232 full duplex  
Com 2: RS-232 full duplex or 20 mA simplex, continuous  
Both ports 1200, 2400, 4800, 9600, 19200, 38400 baud seven or eight data bits, even, odd or no parity

### Optional Ethernet and USB Board:

USB five-pin header for PC, printer or flash drive  
Ethernet TCP/IP, RJ45 jack, server and client ports

### Display:

LCD backlit, transmissive/transflective, 0.8 in (20 mm), six-digit, seven-segment

### Annunciators:

Gross, net, center of zero, standstill, lb, kg, tare, preset tare

### Keys/Buttons:

Flat membrane panel, embossed keys, tactile feel

### Rating/Material:

NEMA Type 4X/IP66  
Stainless steel

### Approvals:

NTEP 12-123  
Measurement Canada AM-5892C  
CE  
cULus

## Part Number/Price

Part #	Size (W × L × H)	Capacity	Est. Weight	Price
<b>RoughDeck EQ Floor Scale with 482 Indicator</b>				
207811	4 ft × 6 ft × 4.25 in	2,500 × 0.5 lb	610 lb	\$3,640.00

Note: Height includes stall mat

## Options/Accessories

Part #	Description	Price
Consult	Access ramps	+ Consult list price add-on
Consult	Smooth deck instead of diamond safety tread plate	N/C
12839*	50 lb cast iron calibration weights	\$160.00
207812	Guide rail, 5.66 ft long × 4.36 ft high, field installable, black matte finish	+\$295.00 list price add-on
18777	Floor anchor plates	\$38.00
Consult	Hermetically sealed load cells	Consult

\*Quantity of 5 weights is recommended for 10% of capacity.



RoughDeck EQ with two optional guide rails installed

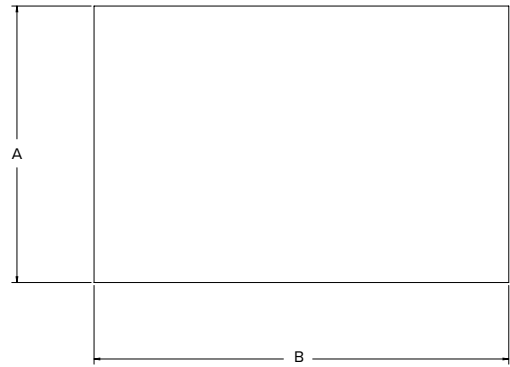
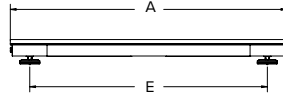
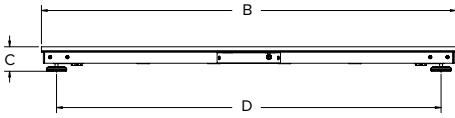


## Dimensions

### RoughDeck EQ

#### 4 ft × 6 ft × 4.25 in with No Optional Guide Rail

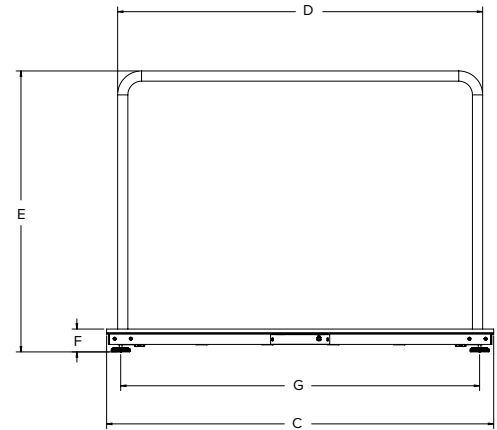
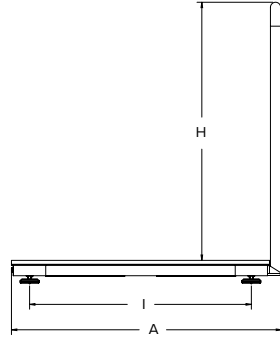
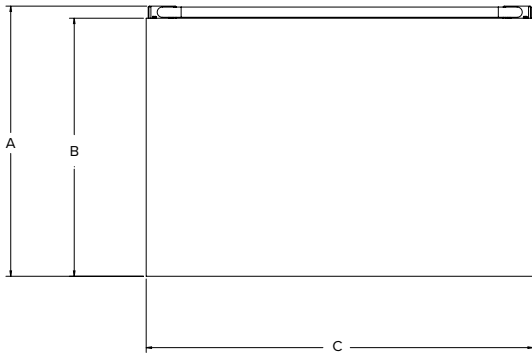
A	48.00 in	D	66.76 in
B	72.00 in	E	41.25 in
C	4.25 in		



### RoughDeck EQ

#### 4 ft × 6 ft × 4.25 in with One Optional Guide Rail

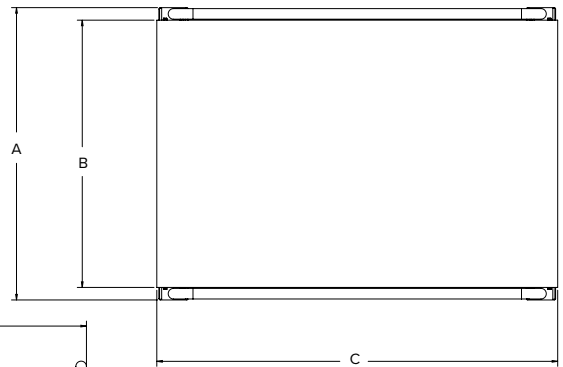
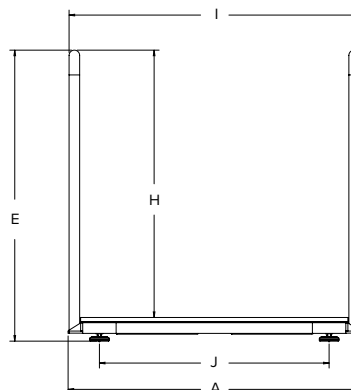
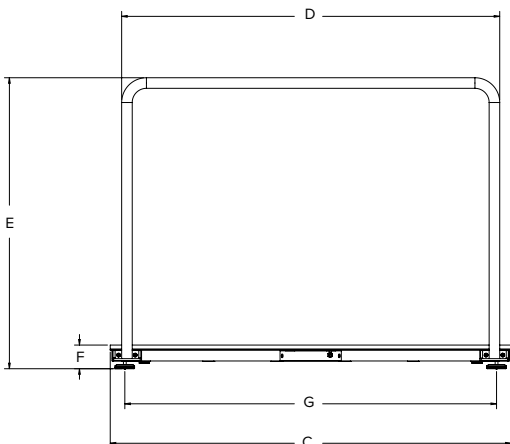
A	50.25 in	F	4.25 in
B	48.00 in	G	66.76 in
C	72.00 in	H	48.00 in
D	67.90 in	I	41.25 in
E	52.26 in		



### RoughDeck EQ

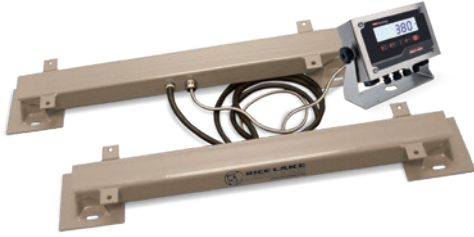
#### 4 ft × 6 ft × 4.25 in with Two Optional Guide Rails

A	50.25 in	F	4.25 in
B	48.00 in	G	66.76 in
C	72.00 in	H	48.00 in
D	67.90 in	I	52.15 in
E	52.26 in	J	41.25 in



# Farm Bars

With 380 Indicator



## Standard Features

- Indicator cable length 12 ft
- 3 ft ArmorGuard cable included
- Kit includes 380 Synergy Series digital weight indicator powered by 4 C-cell batteries (not included)
- Factory calibrated when sold with instrumentation
- Capacities from 2,500 to 10,000 lb
- Non-Legal for Trade

## Specifications

### Safe Overload:

150%

### Full Scale Output:

3mv/V nominal

Output is standardized for each model of load bar, consult factory for details

### Maximum Excitation:

15 VDC

### Nonlinearity:

0.02% full scale

### Hysteresis:

0.02% full scale

### Bridge Resistance:

350 ohm

### Temperature Range:

-40 °F to 111 °F (-40 °C to 44 °C)

### Cable Configuration:

8 ft between bars and 12 ft for the indicator

### Warranty:

Two-year limited

## 380 Specifications

### Power:

Batteries: 4 alkaline C-cell (not included)

Optional: 115/230 VAC to 12 VDC adapter

### Battery Life:

100 hours with 1 × 350 ohm load cell, no backlight

### Communication Ports:

One RS-232 (three-wire)

One USB 2.0

### Annunciators:

g, lb, t, tn, kg, oz, battery level, PT, LT, gross, zero, unstable, net

### Display:

Six 1 in (25 mm) tall, LCD digits

### Keys/Buttons:

5 tactile buttons

### Rating/Material:

IP66

Stainless steel

### Approvals:

NTEP 21-051

Measurement Canada AM-6184

CE

cULus

## Part Number/Price

Part #	Description	Est. Weight	Price
<b>With 380 Indicator</b>			
<b>2,500 lb Capacity</b>			
214517	2,500U 22 – Farm Bar Kit, 22 in with 380, 2,500 capacity, square pads	98 lb	\$3,400.00
<b>5,000 lb Capacity</b>			
214518	5,000U 26 – Farm Bar Kit, 26 in with 380, 5,000 capacity, square pads	117 lb	\$3,800.00
214519	5,000U 33 – Farm Bar Kit, 33 in with 380, 5,000 capacity, square pads	123 lb	\$3,800.00
214520	5,000U 36 – Farm Bar Kit, 36 in with 380, 5,000 capacity, square pads	128 lb	\$3,800.00
214521	5,000U 40 – Farm Bar Kit, 40 in with 380, 5,000 capacity, square pads	134 lb	\$3,800.00
214522	5,000U 44 – Farm Bar Kit, 44 in with 380, 5,000 capacity, square pads	140 lb	\$3,800.00
214523	5,000U 48 – Farm Bar Kit, 48 in with 380, 5,000 capacity, square pads	146 lb	\$3,800.00
<b>10,000 lb Capacity</b>			
214524	10,000U 32 – Farm Bar Kit, 32 in with 380, 10,000 capacity, square pads	152 lb	\$4,800.00
214525	10,000U 36 – Farm Bar Kit, 36 in with 380, 10,000 capacity, square pads	152 lb	\$4,800.00
214526	10,000U 48 – Farm Bar Kit, 48 in with 380, 10,000 capacity, square pads	175 lb	\$4,800.00
214527	10,000U 60 – Farm Bar Kit, 60 in with 380, 10,000 capacity, square pads	210 lb	\$4,800.00
214528	10,000U 72 – Farm Bar Kit, 72 in with 380, 10,000 capacity, square pads	230 lb	\$4,800.00

## Options/Accessories

Part #	Description	Price
159788	Extension cable, farm bar, 10 ft long	\$260.00
127556	Home run cable, 12 ft. long, 4-pin male to blunt end, for indicator	\$120.00
202711	380 indicator	\$655.00
206433	Power supply, 12V 6W	\$54.00
23113	Printer TM-U295	\$685.00
71630	Scale tickets, 500/pack	\$60.00
15547	Blunt end to DB25, RS-232 cable for printer to indicator	\$70.00

# Farm Bars

Without Instrumentation



## Standard Features

- 3 ft ArmorGuard cable included
- Capacities from 2,500 to 10,000 lb
- Non-Legal for Trade

## Specifications

### Safe Overload:

150%

### Full Scale Output:

3mv/V nominal

Output is standardized for each model of load bar, consult factory for details

### Maximum Excitation:

15 VDC

### Nonlinearity:

0.02% full scale

### Hysteresis:

0.02% full scale

### Bridge Resistance:

350 ohm

### Temperature Range:

-40 °F to 111 °F (-40 °C to 44 °C)

### Cable Configuration:

8 ft between bars and 12 ft for the indicator

### Warranty:

Two-year limited

## Part Number/Price

Part #	Description	Est. Weight	Price
<b>2,500 lb Capacity</b>			
152016	2,500 lb 22 – Farm Bar set, with square pads	92 lb	\$3,100.00
<b>5,000 lb Capacity</b>			
152018	5,000 lb 26 – Farm Bar set, with square pads	111 lb	\$3,500.00
152019	5,000 lb 33 – Farm Bar set, with square pads	117 lb	\$3,500.00
152020	5,000 lb 36 – Farm Bar set, with square pads	122 lb	\$3,500.00
152021	5,000 lb 40 – Farm Bar set, with square pads	128 lb	\$3,500.00
152022	5,000 lb 44 – Farm Bar set, with square pads	134 lb	\$3,500.00
152023	5,000 lb 48 – Farm Bar set, with square pads	140 lb	\$3,500.00
<b>10,000 lb Capacity</b>			
185437	10,000 lb 32 – Farm Bar set, with square pads	146 lb	\$4,400.00
152024	10,000 lb 36 – Farm Bar set, with square pads	146 lb	\$4,400.00
152025	10,000 lb 48 – Farm Bar set, with square pads	169 lb	\$4,400.00
152026	10,000 lb 60 – Farm Bar set, with square pads	204 lb	\$4,400.00
152027	10,000 lb 72 – Farm Bar set, with square pads	224 lb	\$4,400.00

## Options/Accessories

Part #	Description	Price
159788	Extension cable, farm bar, 10 ft long	\$260.00
127556	Home run cable, 12 ft. long, 4-pin male to blunt end, for indicator	\$120.00
202711	380 indicator	\$655.00
23113	Printer TM-U295	\$685.00
71630	Scale tickets, 500/pack	\$60.00
15547	Blunt end to DB25, RS-232 cable for printer to indicator	\$70.00

# Farm Bars

## Dimensions

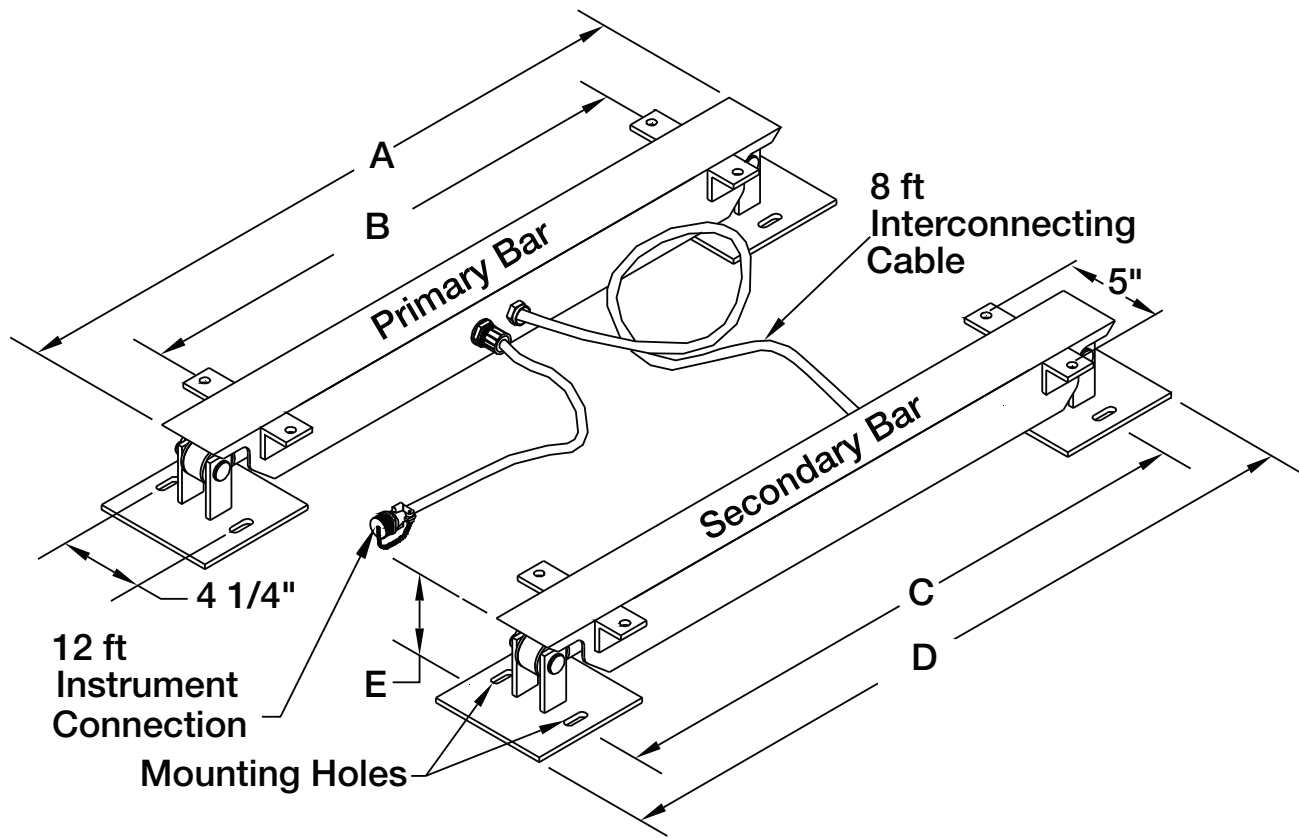
### Dimensions

Farm Bar 2,500U				
A	B*	C	D*	E
22.00 in	15.00 in	19.75 in	25.75 in	4.00 in

Farm Bar 5,000U				
A	B*	C	D*	E
26.00 in	19.00 in	23.75 in	29.75 in	4.00 in
33.00 in	26.00 in	30.75 in	36.75 in	4.00 in
36.00 in	29.00 in	33.75 in	39.75 in	4.00 in
40.00 in	33.00 in	37.75 in	43.75 in	4.00 in
44.00 in	37.00 in	41.75 in	47.75 in	4.00 in
48.00 in	41.00 in	45.75 in	51.75 in	4.00 in

Farm Bar 10,000U				
A	B*	C	D*	E
32.00 in	25.00 in	29.75 in	35.75 in	4.00 in
36.00 in	29.00 in	33.75 in	39.75 in	4.00 in
48.00 in	41.00 in	45.75 in	51.75 in	4.00 in
60.00 in	53.00 in	57.75 in	63.75 in	4.00 in
72.00 in	65.00 in	69.75 in	75.75 in	4.00 in

\* B equals dimension A less 7 inches  
\* D equals dimension C plus 6 inches



# Load Cells / Weigh Modules

## TABLE OF CONTENTS

<b>SURVIVOR® Paramounts® HE</b> ..... 631	<b>EZ Mount 1 with RL7000SS</b> ..... 672	<b>RL32018S-P</b> ..... 701
<i>Medium-capacity Weigh Module Systems</i>	<i>Stainless Steel Weigh Modules, Rice Lake Weighing Systems</i>	<i>Stainless Steel, Hermetically Sealed, IP69K</i>
<b>RL1700 HE</b> ..... 632	<b>EZ Mount 1 with Coated RL70000</b> ..... 673	<b>RL32018S-HE</b> ..... 702
<i>Light- to Medium-capacity Weigh Modules</i>	<i>Rice Lake Weighing Systems</i>	<i>Stainless Steel, Hermetically Sealed, NTEP Certified 1:5,000 Class III Multiple Cell, IP69K</i>
<b>RL1600 HE</b> ..... 633	<b>EZ Mount 1 HE</b> ..... 674	<b>RL32019S-HE</b> ..... 703
<i>Medium-capacity Weigh Modules</i>	<i>Stainless Steel Weigh Modules, Rice Lake Weighing Systems</i>	<i>Stainless Steel, Hermetically Sealed, NTEP Certified 1:5,000 Class III Multiple Cell, IP69K</i>
<b>RL1855 HE-HS</b> ..... 634	<b>RL1600 Series</b> ..... 675	<b>RL32218S-HE</b> ..... 704
<i>Medium-capacity Weigh Modules</i>	<i>Cast Iron Weigh Modules, Rice Lake Weighing Systems</i>	<i>Stainless Steel, Hermetically Sealed, NTEP Certified 1:5,000 Class III Multiple Cell, IP69K</i>
<b>RL2100 HE</b> ..... 635	<b>RL1600 Series</b> ..... 677	<b>RL9018SS</b> ..... 705
<i>Heavy-capacity Weigh Modules</i>	<i>Mild Steel Weigh Modules, Rice Lake Weighing Systems</i>	<i>Stainless Steel, Hermetically Sealed, NTEP Certified 1:4,000S/1:5,000M, OIML C3, IP68/IP69K</i>
<b>ITCM</b> ..... 636	<b>RL1600 Series SS</b> ..... 679	<b>RL30000I</b> ..... 706
<i>Isolated Tension Cell Modules</i>	<i>Stainless Steel Weigh Modules, Rice Lake Weighing Systems</i>	<i>Alloy Steel, Environmentally Sealed, NTEP Certified 1:5,000 III Class III Multiple Cell, IP67</i>
<b>ITCM SS</b> ..... 637	<b>RL1600 Series Coated Load Cell Version</b> ..... 681	<b>RL30002 Thru Hole</b> ..... 707
<i>Stainless Steel Isolated Tension Cell Modules</i>	<i>Stainless Steel Weigh Modules, Rice Lake Weighing Systems</i>	<i>Alloy Steel, Environmentally Sealed, NTEP Certified 1:5,000 III Class III Multiple Cell, IP67</i>
<b>ITCM HE</b> ..... 638	<b>MVS Mount/MVS</b> ..... 682	<b>RLH35</b> ..... 708
<i>Stainless Steel, Welded Seal, NTEP Certified Isolated Tension Cell Modules</i>	<i>Conversion Kit</i>	<i>Stainless Steel, Welded Seal, NTEP Certified 1:5,000 Class III Multiple Cell, IP67</i>
<b>RL50210TA</b> ..... 639	<b>Translink™ Parallel Link</b> ..... 683	<b>RL39123</b> ..... 709
<i>Mini Tank Weighing Module</i>	<i>Truck Scale Assembly, Rice Lake Weighing Systems</i>	<i>Stainless Steel, Environmentally Sealed, IP67</i>
<b>65059</b> ..... 641	<b>Motor Truck Scale Electronic Conversion Kit</b> ..... 684	<b>RL32018S-T</b> ..... 710
<i>Mini Tank Weighing Module, VPG Sensortronics</i>	<i>Rice Lake Weighing Systems</i>	<i>Stainless Steel, Hermetically Sealed, NTEP Certified, 1:5,000 Class III Multiple Cell, IP69K</i>
<b>RL50219SS-TA</b> ..... 643	<b>MagnaMount®</b> ..... 685	<b>RL35023S Coated</b> ..... 711
<i>Mini Tank Weighing Module, Stainless Steel</i>	<i>Tank, Truck and Railroad Track Assembly</i>	<i>Stainless Steel, Environmentally Sealed, NTEP Certified 1:5,000 Class III Multiple Cell, IP67</i>
<b>Paramounts® EP</b> ..... 645	<b>Mettler Toledo® DigiTOL® Retrofit Kit</b> ..... 686	<b>RLHTO</b> ..... 712
<i>Environmentally Protected, Mild Steel, Light- to Medium-capacity Tank Weighing Systems</i>	<i>Stainless Steel, Rice Lake Weighing Systems/Flintec</i>	<i>Stainless Steel, Hermetically Sealed, IP66/68</i>
<b>Paramounts® HS</b> ..... 647	<b>Rice Lake Analog Retrofit Kit</b> ..... 688	<b>RLSSB</b> ..... 713
<i>Hermetically Sealed, Mild Steel, Light- to Medium-capacity Tank Weighing Systems</i>	<i>Stainless Steel, Analog Load Cells</i>	<i>Stainless Steel, Welded Seal, NTEP Certified 1:5,000 Class III Multiple Cell, IP67</i>
<b>RLBTM</b> ..... 649	<b>Electronic Floor Scale Underdeck Kits</b> ... 689	<b>RLSB250/RLSB250T</b> ..... 714
<i>Mild Steel/Stainless Steel Weigh Modules</i>	<b>S-BEAM</b>	<i>Stainless Steel, Welded Seal, NTEP Certified 1:5,000 Class III Multiple Cell, IP67</i>
<b>RL1800 Series</b> ..... 650	<b>RL20000I</b> ..... 690	<b>RL50219SS</b> ..... 715
<i>Mild Steel/Stainless Steel Weigh Modules</i>	<i>Alloy Steel, Environmentally Sealed, NTEP Certified 1:5,000 III/1:10,000 III, IP67</i>	<i>Stainless Steel, Environmentally Sealed, IP67</i>
<b>RL1800 Series Coated Load Cell Version</b> ..... 652	<b>RL20000SS</b> ..... 691	<b>RL50210</b> ..... 716
<i>Stainless Steel Weigh Modules</i>	<i>Stainless Steel, Environmentally Sealed, NTEP Certified 1:10,000 Class III Single Cell, IP67</i>	<i>Alloy Steel, Environmentally Sealed, IP65</i>
<b>RL1900 Series</b> ..... 653	<b>RL20000ST</b> ..... 692	<b>RL60040SST</b> ..... 717
<i>Stainless Steel Weigh Modules</i>	<i>Stainless Steel, Environmentally Sealed, NTEP Certified 1:10,000 Class III Single Cell, IP67</i>	<i>Stainless Steel, Environmentally Sealed, IP65</i>
<b>RLTM</b> ..... 654	<b>RL20001I</b> ..... 693	<b>RL40BBS</b> ..... 718
<i>Stainless Steel Tank Weigh Modules</i>	<i>Alloy Steel, Environmentally Sealed, NTEP Certified Single Cell 1:5,000 III/1:10,000 III, IP67</i>	<i>Alloy Steel, Environmentally Sealed, IP65</i>
<b>RL9000TWM Series</b> ..... 655	<b>RL20001HE</b> ..... 694	<b>RL32011WB-L</b> ..... 719
<i>Stainless Steel, Tank, Hopper and Vessel Weighing Assembly</i>	<i>Stainless Steel, Welded Seal, NTEP Certified 1:5,000 Class III/1:10,000 Class III Single Cell, IP68</i>	<i>Stainless Steel, Environmentally Sealed, NTEP Certified 1:5,000 Class III Multiple Cell, Potted, IP67</i>
<b>RL9000TWM-HT</b> ..... 658	<b>RLETS</b> ..... 695	<b>RL32011WB-T</b> ..... 720
<i>Tank, Hopper and Vessel Weigh Module</i>	<i>Alloy Steel, Environmentally Sealed, OIML C3, IP67</i>	<i>Stainless Steel, Environmentally Sealed, NTEP Certified 1:5,000 Class III Multiple Cell, Potted, IP67</i>
<b>RL2200 Series</b> ..... 659	<b>SINGLE-ENDED BEAM</b>	<b>DOUBLE-ENDED BEAM</b>
<i>Tank, Hopper and Vessel Weighing Assembly</i>	<b>RL32022</b> ..... 696	<b>RL72020</b> ..... 721
<b>RL2200SS Series</b> ..... 660	<i>Alloy Steel, Environmentally Sealed, OIML C3, IP67</i>	<i>Alloy Steel, Environmentally Sealed, NTEP Certified 1:5,000 Class III/1:10,000 Class III Multiple Cell, IP67</i>
<i>Stainless Steel, Tank, Hopper and Vessel Weighing Assembly</i>	<b>RL32022S</b> ..... 697	<b>RL72020SS</b> ..... 722
<b>RLC</b> ..... 661	<i>Stainless Steel, Hermetically Sealed, OIML C3, IP69K</i>	<i>Stainless Steel, Environmentally Sealed, NTEP Certified 1:5,000 Class III/1:10,000 Class III Multiple Cell, IP67</i>
<i>Stainless Steel Weigh Modules, VPG Revere</i>	<b>RL32018</b> ..... 698	<b>RL72020P Coated</b> ..... 723
<b>220 Universal Mount</b> ..... 662	<i>Alloy Steel, Environmentally Sealed, NTEP Certified 1:5,000 Class III Multiple Cell, IP66</i>	<i>Alloy Steel, Environmentally Sealed, NTEP Certified 1:5,000 Class III/1:10,000 Class III Multiple Cell, IP67</i>
<i>Stainless Steel Weigh Modules, VPG Teda-Huntleigh</i>	<b>RL32018 Coated</b> ..... 699	
<b>EZ Mount 1 with RL72020</b> ..... 664	<i>Alloy Steel, Environmentally Sealed, NTEP Certified 1:5,000 Class III Multiple Cell, IP66</i>	
<i>Mild Steel Weigh Modules, Rice Lake Weighing Systems</i>	<b>RL32018S</b> ..... 700	
<b>EZ Mount 1 SS with RL72020SS</b> ..... 666	<i>Stainless Steel, Environmentally Sealed, NTEP Certified 1:5,000 Class III Multiple Cell, IP66</i>	
<i>Stainless Steel Weigh Modules, Rice Lake Weighing Systems</i>		
<b>EZ Mount 1 with Coated RL72020P</b> ..... 668		
<i>Stainless Steel Weigh Modules, Rice Lake Weighing Systems</i>		
<b>EZ Mount 1 with RL70000</b> ..... 670		
<i>Mild Steel Weigh Modules, Rice Lake Weighing Systems</i>		

Product names, logos, brands and other trademarks featured or referred to within this publication are the property of their respective trademark holders.

# Load Cells / Weigh Modules

LOAD CELLS /  
WEIGH MODULES

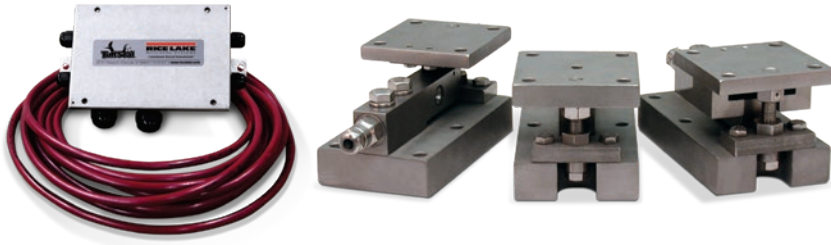
<b>RL72019SS</b> ..... <b>724</b> <i>Stainless Steel, Welded Seal, NTEP Certified 1:5,000 Class III/1:10,000 Class III L Multiple Cell, IP68</i>	<b>RL70510/RL80453</b> ..... <b>743</b> <i>Stainless Steel, Hermetically Sealed, NTEP Certified 1:10,000 Class III L, IP69K</i>	<b>RL1385</b> ..... <b>761</b> <i>Stainless Steel, Environmentally Sealed, NTEP Certified 1:4,500 Class III Single Cell, IP67</i>
<b>RL70000</b> ..... <b>725</b> <i>Alloy Steel, Environmentally Sealed, NTEP Certified 1:10,000 Class III L Multiple Cell, IP67</i>	<b>RL75114-50K</b> ..... <b>744</b> <i>Stainless Steel, Welded Seal, NTEP Certified 1:10,000 Class III L, IP67</i>	<b>RL1260</b> ..... <b>762</b> <i>Aluminum, Environmentally Sealed, NTEP Certified 1:5,000 Class III Single Cell, IP67</i>
<b>RL70000 Coated</b> ..... <b>726</b> <i>Alloy Steel, Environmentally Sealed, IP67</i>	<b>COMPRESSION DISK</b>	<b>RL260FD</b> ..... <b>763</b> <i>Fluid Damped, Stainless Steel, Environmentally Sealed, NTEP Certified Single Cell 1:3,000, IP68</i>
<b>RL70000SS</b> ..... <b>727</b> <i>Stainless Steel, Environmentally Sealed, NTEP Certified 1:5,000 Class III/1:10,000 III L Multiple Cell, IP67</i>	<b>RL90000</b> ..... <b>745</b> <i>Alloy Steel, Environmentally Sealed, IP67</i>	<b>RL26018A</b> ..... <b>764</b> <i>Aluminum, Environmentally Sealed, NTEP Certified 1:5,000 Class III Single Cell, IP67</i>
<b>RL75016</b> ..... <b>728</b> <i>Alloy Steel, Environmentally Sealed, IP67</i>	<b>RLPC3SS</b> ..... <b>746</b> <i>Stainless Steel, Environmentally Sealed, NTEP Certified 1:3,000 Class III Single Cell, IP67</i>	<b>RL1218A</b> ..... <b>765</b> <i>Aluminum, Environmentally Sealed, NTEP Certified 1:5,000 Class III Single Cell, IP67</i>
<b>RL75016 Coated</b> ..... <b>729</b> <i>Alloy Steel, Environmentally Sealed, IP67</i>	<b>RLPC4SS-HE</b> ..... <b>747</b> <i>Stainless Steel, Hermetically Sealed, NTEP Certified 1:5,000 Class III Single Cell, IP69K</i>	<b>RL42018A</b> ..... <b>766</b> <i>Aluminum, Environmentally Sealed, NTEP Certified 1:5,000 Class III Single Cell, IP66</i>
<b>RL75016SS</b> ..... <b>730</b> <i>Stainless Steel, Environmentally Sealed, IP67</i>	<b>SINGLE POINT</b>	<b>RLFLS</b> ..... <b>767</b> <i>Stainless Steel, Environmentally Sealed, Potted, IP67</i>
<b>RL75016SS-W</b> ..... <b>731</b> <i>Stainless Steel, Welded Seal, IP67</i>	<b>RLPC6</b> ..... <b>748</b> <i>Stainless Steel, Hermetically Sealed, NTEP Certified 1:5,000 Class III Single Cell, IP69K</i>	<b>PLANAR BEAM</b>
<b>RL75016WHE</b> ..... <b>732</b> <i>Stainless Steel, Hermetically Sealed, IP69K</i>	<b>RLPWM15HE</b> ..... <b>749</b> <i>Stainless Steel, Hermetically Sealed, NTEP Certified 1:5,000 Class III Single Cell, IP69K</i>	<b>RLBLP</b> ..... <b>768</b> <i>Aluminum, Environmentally Sealed, IP65</i>
<b>RL75058I for Rice Lake Coil Scale</b> ..... <b>733</b> <i>Alloy Steel, Environmentally Sealed, NTEP Certified 1:5,000 Class III Multiple Cell, IP67</i>	<b>RLPWM15</b> ..... <b>750</b> <i>Stainless Steel, Environmentally Sealed, NTEP Certified 1:5,000 Class III Single Cell, IP67</i>	<b>TENSION LINK</b>
<b>RL75058-LP</b> ..... <b>734</b> <i>Alloy Steel, Environmentally Sealed, NTEP Certified 1:10,000 Class III L Multiple Cell, IP67</i>	<b>RLPCBC-60</b> ..... <b>751</b> <i>Stainless Steel, Hermetically Sealed, NTEP Certified 1:5,000 Class III Single Cell, IP69K</i>	<b>RL2010</b> ..... <b>769</b> <i>Stainless Steel, Environmentally Sealed, IP67</i>
<b>RL75058S-LP</b> ..... <b>735</b> <i>Stainless Steel, Hermetically Sealed, NTEP Certified 1:10,000 Class III L Multiple Cell, IP68/69K</i>	<b>RL1521A</b> ..... <b>752</b> <i>Aluminum, Environmentally Sealed, NTEP Certified 1:5,000 Class III Single Cell, IP66</i>	<b>MSI Load Pin Sensors</b> ..... <b>770</b>
<b>RL75060S</b> ..... <b>736</b> <i>Stainless Steel, Welded Seal, NTEP Certified 1:5,000 III/1:10,000 Class III L Multiple Cell, IP67</i>	<b>RL1010</b> ..... <b>753</b> <i>Aluminum, NTEP Certified 1:5,000 Class III Single Cell, Potted and Unpotted, IP65/IP67</i>	<b>MSI Load Pin Questionnaire</b> ..... <b>771</b>
<b>RL75223</b> ..... <b>737</b> <i>Alloy Steel, Welded Seal, NTEP Certified 1:10,000 Class III Multiple Cell, IP67</i>	<b>RLSP4</b> ..... <b>754</b> <i>Aluminum, Environmentally Sealed, NTEP Certified 1:5,000 Class III Single Cell, IP66</i>	<b>MSI Tension Link</b> ..... <b>772</b> <i>Load Cell</i>
<b>RLDB50000S</b> ..... <b>738</b> <i>Stainless Steel, Welded Seal, NTEP Certified 1:10,000 III L Multiple Cell, IP67</i>	<b>RLPWM12</b> ..... <b>755</b> <i>Aluminum, Environmentally Sealed, NTEP Certified 1:5,000 Class III Single Cell, IP67</i>	<b>MSI Clamp-On</b> ..... <b>773</b> <i>Load Cell</i>
<b>RL75040</b> ..... <b>739</b> <i>Alloy Steel, Environmentally Sealed, NTEP Certified 1:10,000 Class III L Multiple Cell, IP67</i>	<b>RLPWM16</b> ..... <b>756</b> <i>Aluminum, Environmentally Sealed, NTEP Certified 1:5,000 Class III Single Cell, IP67</i>	
<b>COMPRESSION CANISTER</b>	<b>RL1042</b> ..... <b>757</b> <i>Aluminum, Environmentally Sealed, NTEP Certified 1:5,000 Class III Single Cell, IP66</i>	
<b>RLCSP1</b> ..... <b>740</b> <i>Stainless Steel, Welded Seal, NTEP Certified 1:10,000 Class III L Multiple Cell, IP67</i>	<b>RL1040</b> ..... <b>758</b> <i>Aluminum, NTEP Certified 1:5,000 Class III Single Cell, Potted and Unpotted, IP65/IP67</i>	
<b>RL8C2P1SST</b> ..... <b>741</b> <i>Stainless Steel, Hermetically Sealed, NTEP Certified 1:10,000 Class III L Multiple Cell, IP68</i>	<b>RL1140</b> ..... <b>759</b> <i>Stainless Steel, Environmentally Sealed, Potted IP67</i>	
<b>ROCKER COLUMN</b>	<b>RL1380</b> ..... <b>760</b> <i>Stainless Steel, Environmentally Sealed, NTEP Certified 1:3,000 Class III Single Cell, IP67</i>	
<b>RLSCA-50K</b> ..... <b>742</b> <i>Stainless Steel, Welded Seal, NTEP Certified 1:10,000 Class III L Multiple Cell, IP67</i>		



# SURVIVOR® Paramounts® HE

Medium-capacity Weigh Module Systems

LOAD CELLS /  
WEIGH MODULES



Picture is a representation of actual product.

## Complete Kit Includes

- One fixed-pin module, one side-stop module, and one or two free-sliding assemblies. Each module is complete with a Flintec SB4 stainless steel hermetically sealed load cell.
- One JB4SS NEMA Type 4X stainless steel signal trim junction box
- 25 ft of our hostile environment EL147HE SURVIVOR® load cell cable

## Standard Features

- All stainless steel construction
- Bolt-in-place design; module bolts directly to tank leg without requiring additional load buttons or mounting plates
- Load cell outputs are mV/V/ohm calibrated to minimize maintenance costs
- Unique design allows for thermal expansion/contraction
- Low-profile, self-checking design
- Jacking screw allows empty vessel to be lifted clear of load cell for maintenance
- Unique patented blind load hole technology minimizes unwanted side and eccentric loading
- Vessel is free to slide laterally on PTFE-coated surfaces

## Applications

- Medium-capacity blenders and tanks
- Batching/blending
- Pharmaceutical processing
- Food processing
- Petroleum refining and batching

## Load Cell Approvals



## Order Information

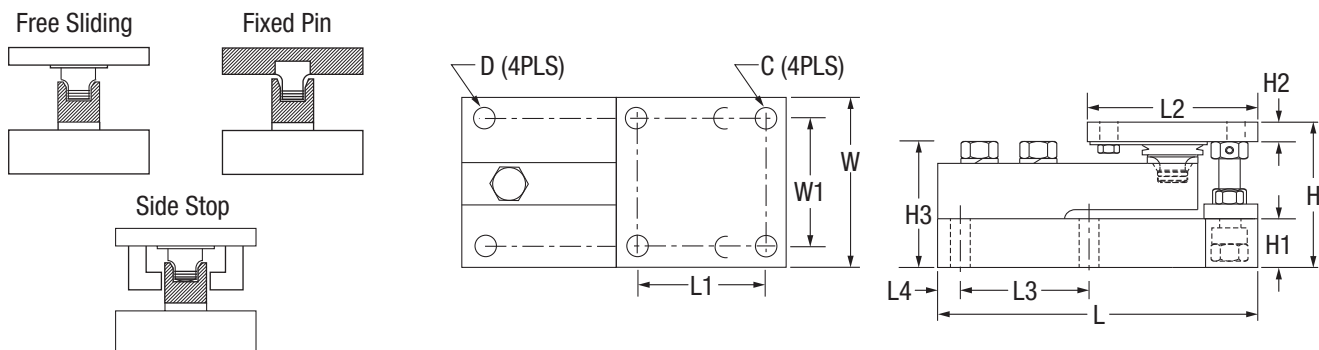
Load Rating (Per Module)	Part #	Price
<b>NTEP Certified/OIML C3 3-Module Kit</b>		
5 kN	29883	\$4,314.00
10 kN	29884	\$4,314.00
23 kN	29885	\$4,314.00
50 kN	29886	\$5,835.00
<b>NTEP Certified/OIML C3 4-Module Kit</b>		
5 kN	29879	\$5,734.00
10 kN	29880	\$5,734.00
23 kN	29881	\$5,734.00
50 kN	29882	\$7,378.00
<b>Non-NTEP Certified 3-Module Kit</b>		
5 kN	17991	\$4,200.00
10 kN	17992	\$4,200.00
23 kN	17993	\$4,200.00
50 kN	17994	\$5,460.00
100 kN	17995	\$6,220.00
<b>Non-NTEP Certified 4-Module Kit</b>		
5 kN	17998	\$5,480.00
10 kN	17999	\$5,480.00
23 kN	18000	\$5,480.00
50 kN	18001	\$6,906.00
100 kN	18002	\$8,644.00
*Conduit adapter, 1/2-14 NPT	17703	\$50.00

\*Must be factory installed

## Dimensions

Rated Capacity	C	D	H	H1	*H2	**H2	H3	L	L1	L2	L3	L4	W	W1
kN/in														
5 to 23	0.44	0.44	3.58	1.25	0.50	0.75	3.06	7.51	3.00	4.00	3.00	0.50	4.00	3.00
50	0.56	0.56	4.66	1.50	0.62	1.00	4.09	9.19	3.87	5.00	3.87	0.56	5.00	3.87
100	0.69	0.69	6.41	2.00	0.75	1.25	5.73	11.46	4.75	6.00	4.75	0.69	6.00	4.75

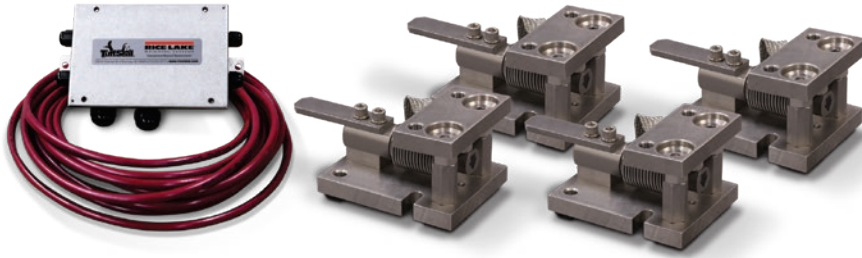
\*Side stop and free sliding units \*\*Fixed pin units



# RL1700 HE

Light- to Medium-capacity Weigh Modules

LOAD CELLS /  
WEIGH MODULES



Picture is a representation of actual product.

## Order Information

Load Rating (Per Module)	Part #	Price
<b>Single Module (Includes Load Cell)</b>		
5 kg	32687	\$1,000.00
10 kg	32688	\$1,000.00
20 kg	32689	\$1,000.00
50 kg	32690	\$1,000.00
100 kg	32691	\$1,000.00
200 kg	32692	\$1,000.00
250 kg	32693	\$1,000.00
500 kg	32974	\$1,225.00
1,000 kg	32973	\$1,225.00
2,000 kg	32972	\$1,225.00
5,000 kg	32971	\$1,495.00
<b>3-Module Kit</b>		
5 kg	32920	\$3,215.00
10 kg	32921	\$3,215.00
20 kg	32922	\$3,215.00
50 kg	32923	\$3,215.00
100 kg	32924	\$3,215.00
200 kg	32925	\$3,215.00
250 kg	32926	\$3,215.00
500 kg	32980	\$3,875.00
1,000 kg	32981	\$3,875.00
2,000 kg	32982	\$3,875.00
5,000 kg	32983	\$4,785.00
<b>4-Module Kit</b>		
5 kg	32927	\$4,250.00
10 kg	32928	\$4,250.00
20 kg	32929	\$4,250.00
50 kg	32930	\$4,250.00
100 kg	32931	\$4,250.00
200 kg	32932	\$4,250.00
250 kg	32933	\$4,250.00
500 kg	32984	\$5,105.00
1,000 kg	32985	\$5,105.00
2,000 kg	32986	\$5,105.00
5,000 kg	32987	\$5,985.00

## Dimensions

Rated Capacity	C	B	*H1	**H2	L	L1	L2	L3	L4	L5	W	W1	W2	W3
kg/mm														
5 to 250	13.1	1/2-20UNF	80.0	86.1	131.8	63.8	76.0	42.0	56.0	14.1	101.4	70.0	15.5	25.4
500 to 2,000	13.1	5/8-18UNF	101.6	109.4	165.1	71.2	129.5	15.5	75.5	60.0	110.0	70.0	20.0	31.8
5,000	19.8	3/4-10UNC	135.0	143.0	215.0	81.0	161.0	20.0	90.0	70.0	150.0	90.0	30.0	40.0

\* In weighing position \*\* In jacked-up position for load cell shipping or removal

## Complete Kit Includes

- Three or four RL1700 HE stainless steel compression mounts with NTEP Certified RL9018SS (5 to 250 kg) or RLHTO (500 to 5,000 kg) stainless steel, hermetically sealed single-ended beam load cells
- One JB4SS NEMA Type 4X stainless steel signal-trim junction box
- 25 ft of our hostile environment EL147HE SURVIVOR load cell cable

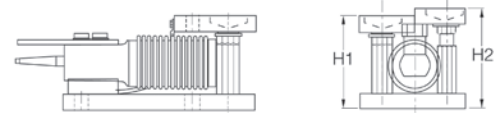
## Standard Features

- Capacities (per module) 1,000 lb to 25,000 lb
- All stainless steel, weldless construction retains less residue and allows fast, thorough cleaning
- Bolt-in-place design; module bolts directly to tank leg without requiring additional load buttons or mounting plates
- Self-checking with lift-off/tip-over protection and jacking/shipping bolts
- Load cell is isolated from overload in all directions

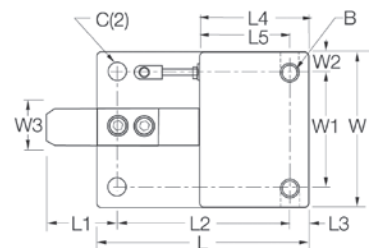
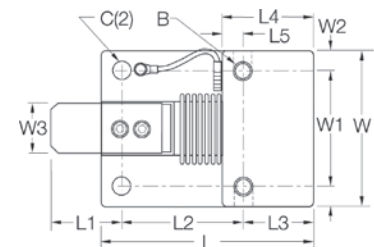
## Applications

- Multi-ingredient micro-batching
- Meat and poultry processing
- Batching/blending
- Dye/ink blending

## Load Cell Approvals



5 kg - 250 kg capacities

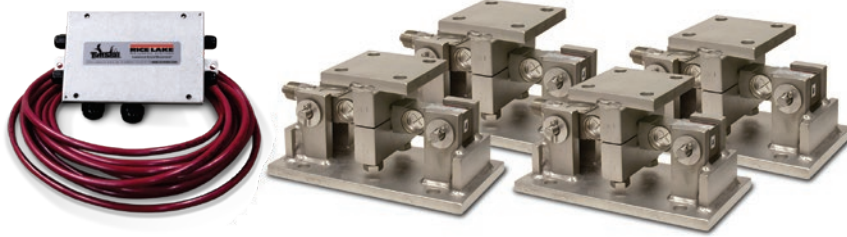


500 kg - 5000 kg capacities

# RL1600 HE

Medium-capacity Weigh Modules

LOAD CELLS /  
WEIGH MODULES



Picture is a representation of actual product.

## Complete Kit Includes

- Three or four RL1600 HE stainless steel compression mounts with RL75016WHE stainless steel, hermetically sealed double-ended shear beam load cells
- One JB4SS NEMA Type 4X stainless steel signal trim junction box
- 25 ft of our hostile environment EL147HE SURVIVOR load cell cable

## Standard Features

- All stainless steel construction
- Self-checking, easy-to-use design allows module to be bolted directly to tank leg without requiring additional mounting plates or load buttons
- Center loaded

## Applications

- Medium-capacity tanks, bins and hoppers
- Bulk material management
- Ingredient batching, mixing and blending

## Load Cell Approvals



## Order Information

Load Rating (Per Module)	Part #	Price
<b>Single Mount Does Not Include Load Cells</b>		
1,000 to 5,000 lb	17813	\$685.00
10,000 to 25,000 lb	17815	\$1,345.00
<b>3-Module Kit</b>		
1,000 lb	46723	\$4,500.00
1,500 lb	119673	\$4,500.00
2,000 lb	119675	\$4,500.00
2,500 lb	46724	\$4,500.00
5,000 lb	46725	\$4,500.00
10,000 lb	46726	\$6,725.00
15,000 lb	46727	\$6,725.00
20,000 lb	84664	\$6,725.00
25,000 lb	46728	\$6,725.00
<b>4-Module Kit</b>		
1,000 lb	46729	\$5,865.00
1,500 lb	119674	\$5,865.00
2,000 lb	119676	\$5,865.00
2,500 lb	46730	\$5,865.00
5,000 lb	46731	\$5,865.00
10,000 lb	46732	\$8,800.00
15,000 lb	46733	\$8,800.00
20,000 lb	84665	\$8,800.00
25,000 lb	46734	\$8,800.00
<b>Dummy Load Cells (Mild Steel)</b>		
1,000 to 5,000 lb	18236	\$26.00
10,000 to 25,000 lb	18237	\$42.00

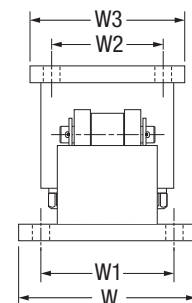
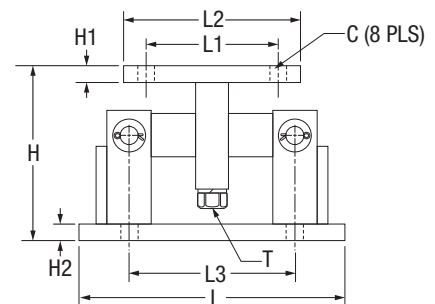
## Shims\*

Load Rating	Part #	Price
<b>1,000 lb to 5,000 lb</b>		
0.0625	150852	\$7.00
0.125	150853	\$12.00
0.250	150854	\$18.00
<b>10,000 lb to 25,000 lb</b>		
0.0625	150855	\$19.00
0.125	150856	\$30.00
0.250	150857	\$65.00

\*Shims match the top plate

## Dimensions

Rated Capacity	C	H	H1	H2	L	L1	L2	L3	T	W	W1	W2	W3
lb/in													
1,000 to 5,000	0.56	5.00	0.50	0.50	9.25	2.75	4.00	6.25	1/2-13 UNC	5.00	3.75	2.75	4.00
10,000 to 25,000	0.78	7.87	0.75	0.75	12.00	6.00	8.00	7.50	3/4-10 UNC	8.00	6.00	6.00	8.00



# RL1855 HE-HS

Medium-capacity Weigh Modules

LOAD CELLS /  
WEIGH MODULES



Picture is a representation of actual product.

## Complete Kit Includes

- Three or four RL1855 HE stainless steel mounts with RL32218S-HE NTEP Certified hermetically sealed stainless steel load cells
- One JB4SS NEMA Type 4X stainless steel signal trim junction box
- 25 ft of hostile environment EL147HE SURVIVOR load cell cable

## Standard Features

- NTEP Certified load cells, 5,000 d Class III multiple load cell
- All stainless steel construction
- Self-checking design with lift off/tip off protection

## Applications

- Medium-capacity hoppers, bins and tanks
- Batching/blending

## Load Cell Approvals

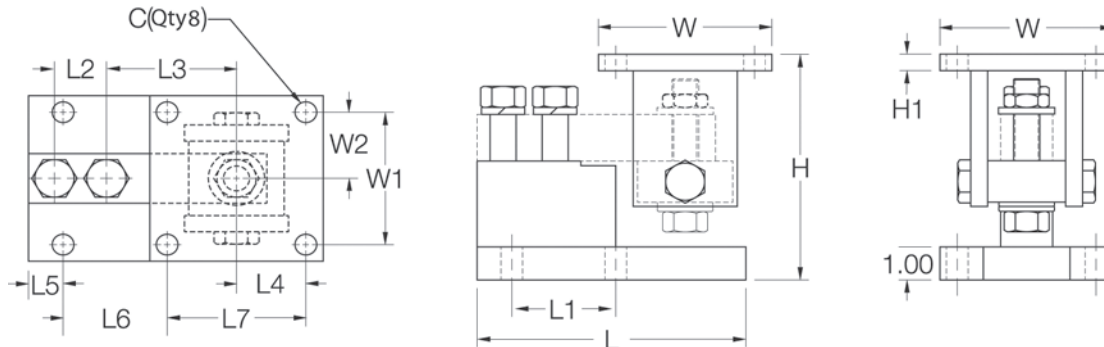


## Order Information

Load Rating (Per Module)	Part #	Price
<b>Single Modules (Includes Load Cell)</b>		
1,000 lb	170857	\$1,065.00
2,500 lb	170858	\$1,065.00
4,000 lb	170859	\$1,065.00
5,000 lb	170860	\$1,150.00
10,000 lb	170861	\$1,150.00
<b>3-Module Kit</b>		
1,000 lb	170862	\$3,354.00
2,500 lb	170863	\$3,354.00
4,000 lb	170864	\$3,354.00
5,000 lb	170865	\$3,615.00
10,000 lb	170866	\$3,615.00
<b>4-Module Kit</b>		
1,000 lb	170867	\$4,360.00
2,500 lb	170868	\$4,360.00
4,000 lb	170869	\$4,360.00
5,000 lb	170870	\$4,765.00
10,000 lb	170871	\$4,765.00

## Dimensions

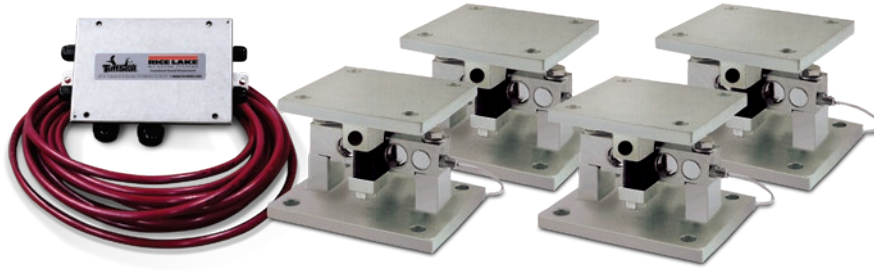
Rated Capacity C	C	H min/ max	H1	L	L1	L2	L3	L4	L5	L6	L7	W	W1	W2
lb/in														
1,000 to 4,000	0.62	5.25/5.56	0.50	6.00	2.00	1.00	3.00	2.00	0.68	1.94	4.00	5.00	4.00	2.00
5,000 to 10,000	0.62	6.12/6.62	0.50	7.75	3.00	1.50	3.75	2.00	1.03	2.97	4.00	5.00	4.00	2.00



# RL2100 HE

Heavy-capacity Weigh Modules

LOAD CELLS /  
WEIGH MODULES



Picture is a representation of actual product.

## Complete Kit Includes

- Three or four RL2100 HE stainless steel compression mounts with NTEP Certified RL75060S or RL75058S-LP stainless steel, welded seal double-ended beam load cells
- One JB4SS NEMA Type 4X stainless steel signal-trim junction box
- 25 ft of our hostile environment EL147HE SURVIVOR load cell cable

## Standard Features

- NTEP Certified load cells, 5,000 d, Class III L/10,000 d, Class III L multiple cell
- All stainless steel construction
- Bolt-in-place design; module bolts directly to tank leg without requiring additional load buttons or mounting plates
- Self-checking design with lift-off/tip-over protection

## Applications

- Heavy-capacity tanks, blenders, reactors and bulk inventory management
- Petroleum refining process control
- Blending/batching

## Load Cell Approvals

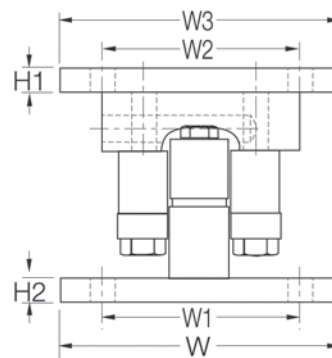
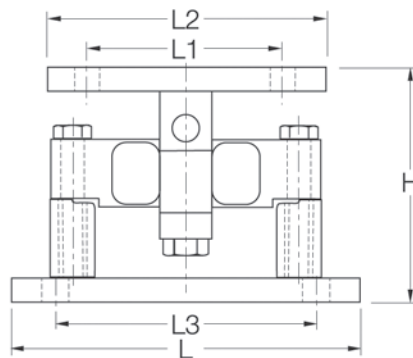
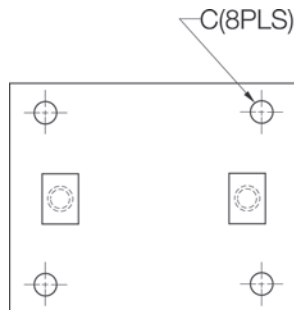


## Order Information

Load Rating (Per Module)	Part #	Price
<b>Single Module (Includes Load Cell)</b>		
20,000 lb	32951	\$1,822.00
25,000 lb	65541	\$1,785.00
35,000 lb	32952	\$2,860.00
50,000 lb	32953	\$2,860.00
60,000 lb	32954	\$2,860.00
75,000 lb	32955	\$2,860.00
100,000 lb	32956	\$4,895.00
<b>3-Module Kit</b>		
20,000 lb	32970	\$5,608.00
25,000 lb	65984	\$5,608.00
35,000 lb	32969	\$8,861.00
50,000 lb	32968	\$8,861.00
60,000 lb	32967	\$8,861.00
75,000 lb	32966	\$8,861.00
100,000 lb	32965	\$14,583.00
<b>4-Module Kit</b>		
20,000 lb	32964	\$7,404.00
25,000 lb	65983	\$7,404.00
35,000 lb	32963	\$11,382.00
50,000 lb	32962	\$11,382.00
60,000 lb	32961	\$11,382.00
75,000 lb	32960	\$11,382.00
100,000 lb	32959	\$19,362.00

## Dimensions

Rated Capacity	C	H	H1	H2	L	L1	L2	L3	W	W1	W2	W3
lb/in												
20,000 to 25,000	0.78	6.85	0.75	0.75	10.00	6.00	8.00	7.50	8.00	6.00	6.00	8.00
35,000 to 100,000	1.13	9.42	1.00	1.00	14.00	6.50	9.00	11.50	10.00	7.50	6.50	9.00





# ITCM

Isolated Tension Cell Modules

LOAD CELLS /  
WEIGH MODULES



Module with  
RL20000I S-beam load cell

Picture is a representation of actual product.

## Load Cell Approvals



## Complete Kit Includes

- Three or four ITCM assemblies with RL20000I NTEP Certified S-beam load cells
- One JB4SS NEMA Type 4X stainless steel signal trim junction box
- 25 ft of hostile environment EL147HE SURVIVOR® load cell cable

## Standard Features

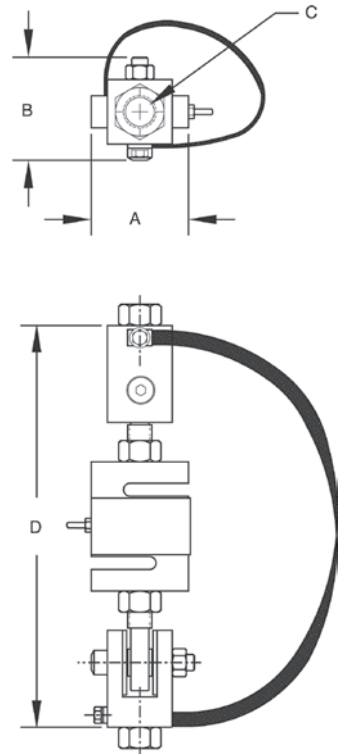
- Capacities (per module): 100 to 20,000 lb
- Clevis mounts with nylon insulating washers
- Zinc-plated clevis assemblies
- Load cell is completely isolated from stray currents (except 20,000 lb)
- Grounding strap provides alternative path to ground
- Complete package for ease of installation
- Provides correct loading even in difficult installations
- Lower overall height compared to other isolated tension assemblies

## Applications

- Suspended hoppers and tanks
- Mechanical scale conversions
- Use as a single module or in multiples

## Load Rating Dimensions Per Module

Load Cell Capacity lb/in	A	B	C	D	Single Module		3-Module Kit		4-Module Kit	
					Price	Price	Price	Price		
100	2.00	1.81	3/8-16 UNC 1/2-13 UNC	7.00 (ref)	<b>17851</b>	\$566.00	<b>18003</b>	\$1,995.00	<b>18027</b>	\$2,573.00
					<b>17831</b>	\$566.00	<b>18004</b>	\$1,995.00	<b>18028</b>	\$2,573.00
150	2.00	1.81	3/8-16 UNC 1/2-13 UNC	7.00 (ref)	<b>30337</b>	\$566.00	<b>30357</b>	\$1,995.00	<b>30359</b>	\$2,573.00
					<b>30336</b>	\$566.00	<b>30358</b>	\$1,995.00	<b>30360</b>	\$2,573.00
200	2.00	1.81	3/8-16 UNC 1/2-13 UNC	7.00 (ref)	<b>30335</b>	\$566.00	<b>30361</b>	\$1,995.00	<b>30363</b>	\$2,573.00
					<b>30338</b>	\$566.00	<b>30362</b>	\$1,995.00	<b>30364</b>	\$2,573.00
250	2.00	1.81	3/8-16 UNC 1/2-13 UNC	7.00 (ref)	<b>17852</b>	\$566.00	<b>18005</b>	\$1,995.00	<b>18029</b>	\$2,573.00
					<b>17832</b>	\$566.00	<b>18006</b>	\$1,995.00	<b>18030</b>	\$2,573.00
500	2.68	2.68	1/2-13 UNC	9.50 (ref)	<b>17853</b>	\$619.00	<b>18007</b>	\$2,138.00	<b>18031</b>	\$2,762.00
			5/8-11 UNC		<b>17858</b>	\$619.00	<b>18008</b>	\$2,138.00	<b>18032</b>	\$2,762.00
			3/4-10 UNC		<b>17833</b>	\$619.00	<b>18009</b>	\$2,138.00	<b>18033</b>	\$2,762.00
					<b>17854</b>	\$619.00	<b>18010</b>	\$2,138.00	<b>18034</b>	\$2,762.00
750	2.68	2.68	5/8-11 UNC	9.50 (ref)	<b>17859</b>	\$619.00	<b>18011</b>	\$2,138.00	<b>18035</b>	\$2,762.00
			3/4-10 UNC		<b>17834</b>	\$619.00	<b>18012</b>	\$2,138.00	<b>18036</b>	\$2,762.00
					<b>17855</b>	\$619.00	<b>18013</b>	\$2,138.00	<b>18037</b>	\$2,762.00
1,000	2.68	2.68	5/8-11 UNC	9.50 (ref)	<b>17860</b>	\$619.00	<b>18014</b>	\$2,138.00	<b>18038</b>	\$2,762.00
			3/4-10 UNC		<b>17835</b>	\$619.00	<b>18015</b>	\$2,138.00	<b>18039</b>	\$2,762.00
					<b>17856</b>	\$619.00	<b>18016</b>	\$2,138.00	<b>18040</b>	\$2,762.00
1,500	2.68	2.68	5/8-11 UNC	9.50 (ref)	<b>17861</b>	\$609.00	<b>18017</b>	\$2,138.00	<b>18041</b>	\$2,762.00
			3/4-10 UNC		<b>17836</b>	\$609.00	<b>18018</b>	\$2,138.00	<b>18042</b>	\$2,762.00
					<b>17857</b>	\$609.00	<b>18019</b>	\$2,138.00	<b>18043</b>	\$2,762.00
2,000	2.68	2.68	5/8-11 UNC	9.50 (ref)	<b>17862</b>	\$619.00	<b>18020</b>	\$2,138.00	<b>18044</b>	\$2,762.00
			3/4-10 UNC		<b>17837</b>	\$619.00	<b>18021</b>	\$2,138.00	<b>18045</b>	\$2,762.00
					<b>17858</b>	\$619.00	<b>18022</b>	\$2,138.00	<b>18046</b>	\$2,762.00
2,500	2.68	2.68	5/8-11 UNC	9.50 (ref)	<b>17863</b>	\$619.00	<b>18023</b>	\$2,138.00	<b>18047</b>	\$2,762.00
			3/4-10 UNC		<b>17838</b>	\$619.00				
3,000	3.37	3.37	3/4-10 UNC	10.50 (ref)	<b>30339</b>	\$646.00	<b>30365</b>	\$2,229.00	<b>30366</b>	\$2,873.00
5,000	3.37	3.37	3/4-10 UNC	12.25 (ref)	<b>17864</b>	\$842.00	<b>18024</b>	\$2,773.00	<b>18048</b>	\$3,657.00
			1-8 UNC		<b>17839</b>	\$842.00	<b>18025</b>	\$2,773.00	<b>18049</b>	\$3,657.00
10,000	3.37	3.37	1-8 UNC	12.25 (ref)	<b>17840</b>	\$842.00	<b>18026</b>	\$2,773.00	<b>18050</b>	\$3,657.00
15,000	4.00	4.12	1 1/4-7 UNC	18.00 (ref)	<b>17960</b>	\$1,756.00	<b>30353</b>	\$5,642.00	<b>30354</b>	\$7,406.00
20,000	5.00	4.12	1 1/2-6 UNC	20.00 (ref)	<b>17961</b>	\$2,064.00	<b>30355</b>	\$5,642.00	<b>30356</b>	\$8,630.00







Module with RL20000ST S-beam load cell

### Complete Kit Includes

- Three or four ITCM assemblies with RL20000ST NTEP Certified S-beam load cells
- One JB4SS NEMA Type 4X stainless steel signal trim junction box
- 25 ft of hostile environment EL147HE SURVIVOR® load cell cable

### Standard Features

- Capacities (per module): 100 to 5,000 lb
- Clevis mounts with nylon insulating washers
- PTFE lined rod-end ball joints
- Load cell is completely isolated from stray currents
- Grounding strap provides alternative path to ground
- Complete package for ease of installation
- Provides correct loading even in difficult installations
- Lower overall height compared to other isolated tension assemblies

### Applications

- Suspended hoppers and tanks
- Mechanical scale conversions
- Use as a single module or in multiples

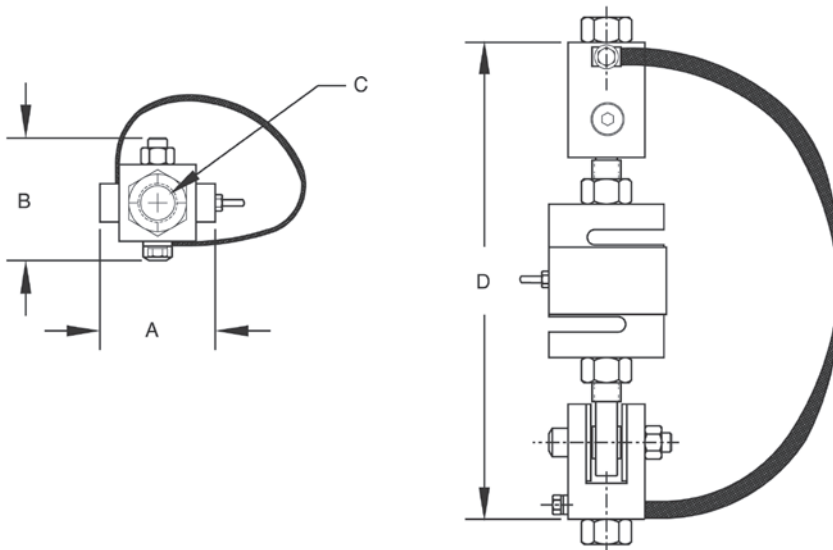
Picture is a representation of actual product.

### Load Cell Approvals



### Load Rating Dimensions Per Module

Load Cell Capacity lb/in	A	B	C	D	Single Module		3-Module Kit		4-Module Kit	
						Price		Price		Price
100	2.00	1.81	3/8-16 UNC	7.00 (ref)	46765	\$892.00	46735	\$2,809.00	46751	\$3,598.00
			1/2-13 UNC		46766	\$892.00	46736	\$2,809.00	46752	\$3,598.00
250	2.00	1.81	3/8-16 UNC	7.00 (ref)	46767	\$892.00	46737	\$2,809.00	46753	\$3,598.00
			1/2-13 UNC		46768	\$892.00	46738	\$2,809.00	46754	\$3,598.00
500	2.68	2.68	1/2-13 UNC	9.50 (ref)	46769	\$892.00	46739	\$2,809.00	46755	\$3,598.00
			5/8-11 UNC		46770	\$892.00	46740	\$2,809.00	46756	\$3,598.00
750	2.68	2.68	1/2-13 UNC	9.50 (ref)	46771	\$892.00	46741	\$2,809.00	46757	\$3,598.00
			5/8-11 UNC		46772	\$892.00	46742	\$2,809.00	46758	\$3,598.00
1,000	2.68	2.68	1/2-13 UNC	9.50 (ref)	46773	\$892.00	46743	\$2,809.00	46759	\$3,598.00
			5/8-11 UNC		46774	\$892.00	46744	\$2,809.00	46760	\$3,598.00
2,500	2.68	2.68	5/8-11 UNC	9.50 (ref)	46775	\$892.00	46745	\$2,809.00	46761	\$3,598.00
			3/4-10 UNC		46776	\$892.00	46746	\$2,809.00	46762	\$3,598.00
3,000	3.37	3.37	3/4-10 UNC	10.75 (ref)	46777	\$962.00	46747	\$3,105.00	46763	\$3,890.00
			3/4-10 UNC		46778	\$1,651.00	46748	\$5,103.00	46764	\$6,608.00



# ITCM HE

Stainless Steel, Welded Seal, NTEP Certified Isolated Tension Cell Modules

LOAD CELLS /  
WEIGH MODULES



Module with  
RL20001HE S-beam load cell

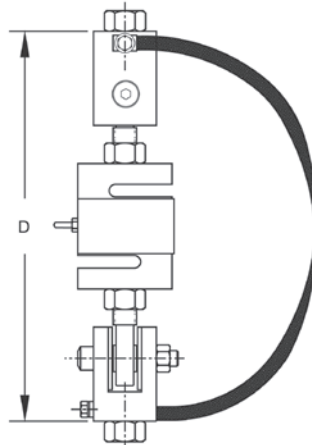
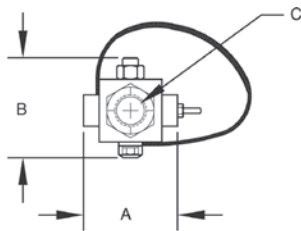
Picture is a representation of actual product.

## Load Cell Approvals



## Load Rating Dimensions Per Module

Load Cell Capacity lb/in	A	B	C	D	Single Module	Price	3-Module Kit	Price	4-Module Kit	Price
500	2.68	2.68	1/2-13 UNC 5/8-11 UNC 3/4-10 UNC	9.50 (ref)	46599 46600 46601	\$1,618.00 \$1,618.00 \$1,618.00	46561 46562 46563	\$4,702.00 \$4,702.00 \$4,702.00	46580 46581 46582	\$6,269.00 \$6,269.00 \$6,269.00
750	2.68	2.68	1/2-13 UNC 5/8-11 UNC 3/4-10 UNC	9.50 (ref)	46602 46603 46604	\$1,618.00 \$1,618.00 \$1,618.00	46564 46565 46566	\$4,702.00 \$4,702.00 \$4,702.00	46583 46584 46585	\$6,269.00 \$6,269.00 \$6,269.00
1,000	2.68	2.68	1/2-13 UNC 5/8-11 UNC 3/4-10 UNC	9.50 (ref)	46605 46606 46607	\$1,618.00 \$1,618.00 \$1,618.00	46567 46568 46569	\$4,702.00 \$4,702.00 \$4,702.00	46586 46587 46588	\$6,269.00 \$6,269.00 \$6,269.00
1,500	2.68	2.68	1/2-13 UNC 5/8-11 UNC 3/4-10 UNC	9.50 (ref)	46608 46609 46610	\$1,618.00 \$1,618.00 \$1,618.00	46570 46571 46572	\$4,702.00 \$4,702.00 \$4,702.00	46589 46590 46591	\$6,269.00 \$6,269.00 \$6,269.00
2,000	2.68	2.68	1/2-13 UNC 5/8-11 UNC 3/4-10 UNC	9.50 (ref)	46611 46612 46613	\$1,618.00 \$1,618.00 \$1,618.00	46573 46574 46575	\$4,702.00 \$4,702.00 \$4,702.00	46592 46593 46594	\$6,269.00 \$6,269.00 \$6,269.00
2,500	2.68	2.68	5/8-11 UNC 3/4-10 UNC	9.50 (ref)	46614 46615	\$1,618.00 \$1,618.00	46576 46577	\$4,702.00 \$4,702.00	46595 46596	\$6,269.00 \$6,269.00
3,000	3.37	3.37	3/4-10 UNC	10.00 (ref)	46616	\$1,618.00	46578	\$4,702.00	46597	\$6,269.00
5,000	3.37	3.37	3/4-10 UNC	12.62 (ref)	46617	\$2,399.00	46579	\$7,042.00	46598	\$9,338.00



## Complete Kit Includes

- Three or four ITCM assemblies with RL20001HE NTEP Certified S-beam load cells stainless steel, welded seal
- One JB4SS NEMA Type 4X stainless steel signal trim junction box
- 25 ft of hostile environment EL147HE SURVIVOR® load cell cable

## Standard Features

- Capacities (per module): 500 to 5,000 lb
- Clevis mounts with nylon insulating washers
- PTFE lined rod-end ball joints
- Load cell is completely isolated from stray currents
- Grounding strap provides alternative path to ground
- Complete package for ease of installation
- Provides correct loading even in difficult installations
- Lower overall height compared to other isolated tension assemblies

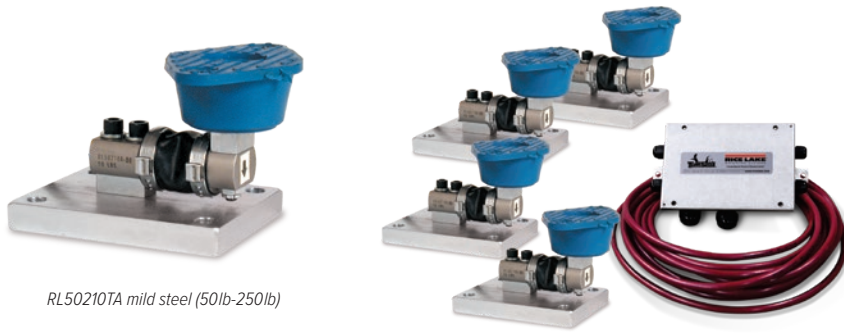
## Applications

- Suspended hoppers and tanks
- Mechanical scale conversions
- Use as a single module or in multiples

# RL50210TA

## Mini Tank Weighing Module

LOAD CELLS /  
WEIGH MODULES



RL50210TA mild steel (50lb-250lb)



Picture is a representation of actual product.

### Load Cell Approvals



NTEP Certified 1,000lb mild steel load cell shown.

### Complete Kit Includes

- Three or four neoprene isolation/compression mounts with NTEP Certified load cells
- 50 to 250 lb mild steel: RL50210
- 500 lb mild steel: RL30000
- 1,000 to 2,500 lb mild steel: RL32018
- 500 lb stainless steel: RL39123
- 1,000 to 2,500 lb stainless steel: RL32018S
- One JB4SS NEMA Type 4X stainless steel signal trim junction box
- 25 ft of hostile environment EL147HE SURVIVOR® load cell cable

### Standard Features

- NTEP Certified load cells
- Zinc plated mild steel or stainless steel assemblies
- Weighing ranges from 50 to 2,500 lb per module
- Neoprene isolation mounts allow for minor misalignment, thermal expansion and shock absorption
- Overload stop provides durability

### Optional Features

- Stainless steel modules available in 500 lb capacities with RL39123 stainless steel load cells

### Applications

- Small tanks and hoppers
- Conveyor/In-motion weighing
- Small platform scales where minor shock loading may occur

### Order Information

Load Rating (Per Module)	Part #	Price
<b>Mild Steel Single Module (Includes Load Cell)</b>		
50 lb	17844	\$470.00
100 lb	17845	\$470.00
150 lb	17846	\$470.00
250 lb	17847	\$470.00
500 lb	17848	\$625.00
1,000 lb	17849	\$625.00
2,000 lb	17948	\$625.00
2,500 lb	17949	\$625.00
<b>Mild Steel 3-Module Kit</b>		
50 lb	18051	\$1,645.00
100 lb	18052	\$1,645.00
150 lb	18053	\$1,645.00
250 lb	18054	\$1,645.00
500 lb	18055	\$2,135.00
1,000 lb	18056	\$2,135.00
2,000 lb	30398	\$2,135.00
2,500 lb	30396	\$2,135.00
<b>Mild Steel 4-Module Kit</b>		
50 lb	18057	\$2,115.00
100 lb	18058	\$2,115.00
150 lb	18059	\$2,115.00
250 lb	18060	\$2,115.00
500 lb	18061	\$2,700.00
1,000 lb	18062	\$2,700.00
2,000 lb	30397	\$2,700.00
2,500 lb	30395	\$2,700.00

# RL50210TA

Mini Tank Weighing Module

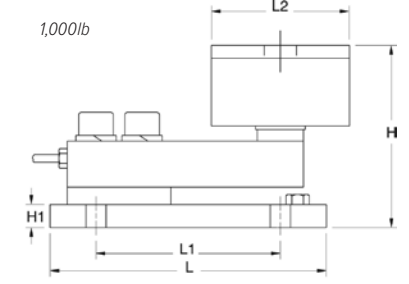
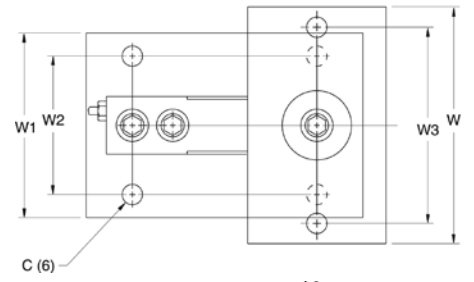
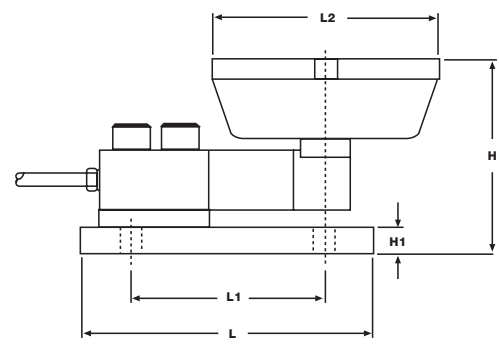
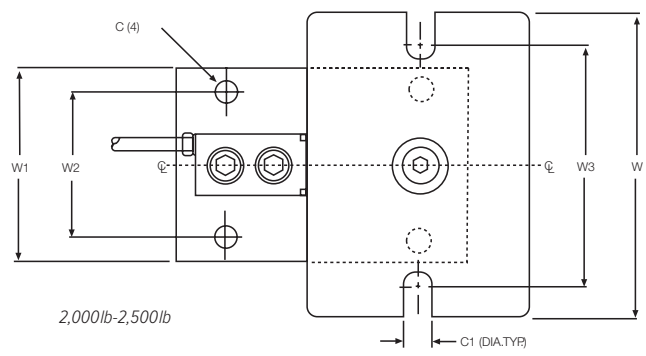
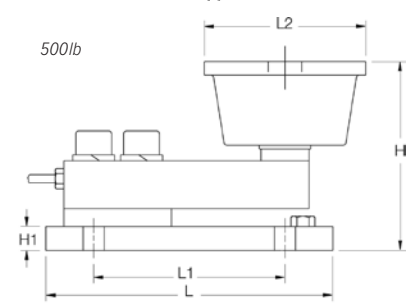
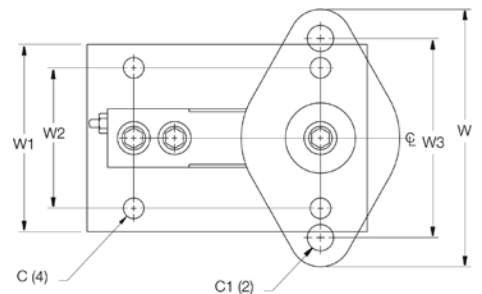
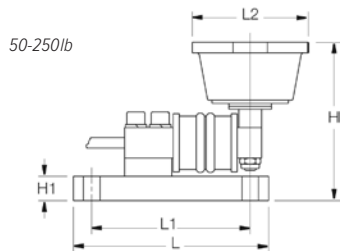
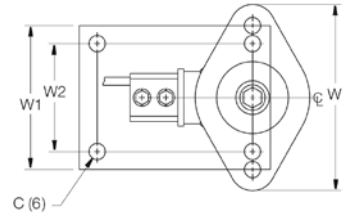
LOAD CELLS /  
WEIGH MODULES

## Order Information

Load Rating (Per Module)	Part #	Price
<b>Stainless Steel Single Module (Includes Load Cell)</b>		
500 lb	17954	\$735.00
1,000 lb	17955	\$695.00
2,000 lb	17956	\$695.00
2,500 lb	17957	\$695.00
<b>Stainless Steel 3-Module Kit</b>		
500 lb	30394	\$2,435.00
1,000 lb	30404	\$2,435.00
2,000 lb	30402	\$2,435.00
2,500 lb	30400	\$2,435.00
<b>Stainless Steel 4-Module Kit</b>		
500 lb	30393	\$3,190.00
1,000 lb	30403	\$3,190.00
2,000 lb	30401	\$3,190.00
2,500 lb	30399	\$3,190.00

## Dimensions

Rated Capacity	C	C1	H	H1	L	L1	L2	W	W1	W2	W3
lb/in											
50 to 250	0.34	-	3.13	0.50	4.00	3.25	2.38	3.88	3.00	2.25	-
500	0.44	0.56	3.88	0.50	6.00	4.00	3.38	5.50	4.00	3.00	4.13
1,000	0.44	-	4.00	0.50	6.00	4.00	3.00	5.13	4.00	3.00	4.13
2,000 to 2,500	0.44	0.56	4.00	0.50	6.00	4.00	4.62	6.25	4.00	3.00	5.00





NTEP Certified 1,000lb load cell shown.

65059 mild steel (50lb-250lb)

Picture is a representation of actual product.

### Load Cell Approvals



### Order Information

Load Rating (Per Module)	Part #	Price
<b>Mild Steel Single Module (Includes Load Cell)</b>		
50 lb	17825	\$470.00
100 lb	17826	\$470.00
150 lb	17827	\$470.00
250 lb	17828	\$470.00
500 lb	17829	\$625.00
1,000 lb	17830	\$625.00
2,000 lb	17946	\$625.00
2,500 lb	17947	\$625.00
<b>Mild Steel 3-Module Kit</b>		
50 lb	18063	\$1,645.00
100 lb	18064	\$1,645.00
150 lb	18065	\$1,645.00
250 lb	18066	\$1,645.00
500 lb	18067	\$2,135.00
1,000 lb	18068	\$2,135.00
2,000 lb	30413	\$2,088.00
2,500 lb	30412	\$2,135.00
<b>Mild Steel 4-Module Kit</b>		
50 lb	18069	\$2,115.00
100 lb	18070	\$2,115.00
150 lb	18071	\$2,115.00
250 lb	18072	\$2,115.00
500 lb	18073	\$2,700.00
1,000 lb	18074	\$2,645.00
2,000 lb	30414	\$2,700.00
2,500 lb	30411	\$2,700.00

### Complete Kit Includes

- Three or four neoprene isolation/compression mounts with NTEP Certified load cells
- 50 to 250 lb mild steel: 60040
- 500 lb mild steel: 65023-500-0107
- 1,000 to 2,500 lb mild steel: 65023A1K-5107
- 500 lb stainless steel: 65023-500-0113
- 1,000 to 2,500 lb stainless steel: 65023S1K-5113
- One JB4SS NEMA Type 4X stainless steel signal trim junction box
- 25 ft of hostile environment EL147HE SURVIVOR® load cell cable

### Standard Features

- Zinc plated, mild steel modules
- Lower weighing ranges from 50 to 500 lb per module
- Environmentally protected load cells
- Neoprene isolation/compression mounts allow for minor misalignment, thermal expansion and shock absorption
- Overload stop for 500 lb modules provides durability

### Applications

- Small tanks and hoppers
- Conveyor/In-motion weighing
- Small platform scales where minor shock loading may occur

# 65059

Mini Tank Weighing Module, VPG Sensortronics

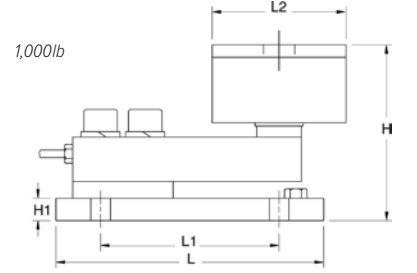
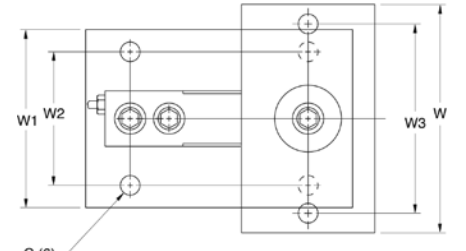
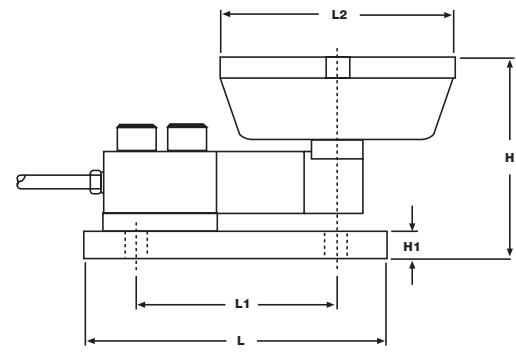
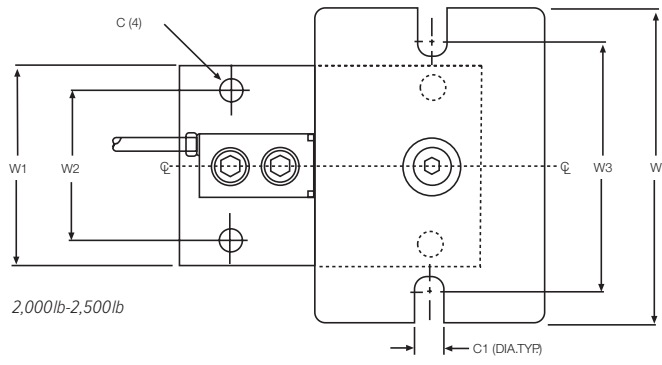
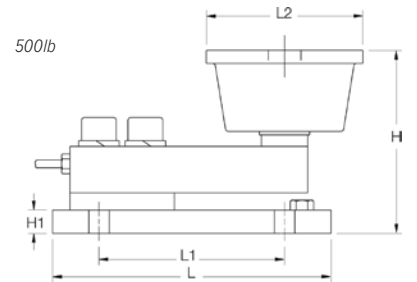
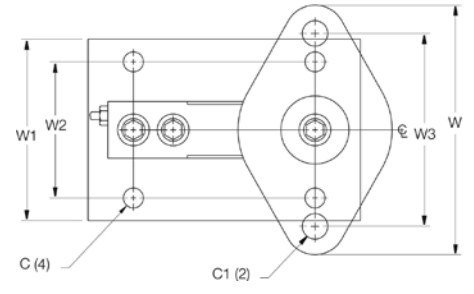
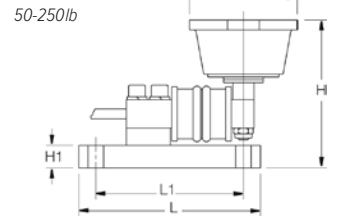
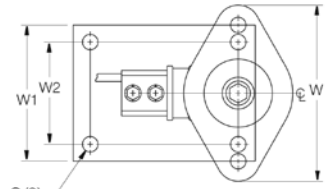
LOAD CELLS /  
WEIGH MODULES

## Order Information

Load Rating (Per Module)	Part #	Price
<b>Stainless Steel Single Module (Includes Load Cell)</b>		
500 lb	17950	\$735.00
1,000 lb	17951	\$735.00
2,000 lb	17952	\$735.00
2,500 lb	17953	\$735.00
<b>Stainless Steel 3-Module Kit</b>		
500 lb	30392	\$2,435.00
1,000 lb	30410	\$2,435.00
2,000 lb	30408	\$2,435.00
2,500 lb	30406	\$2,435.00
<b>Stainless Steel 4-Module Kit</b>		
500 lb	30391	\$3,190.00
1,000 lb	30409	\$3,190.00
2,000 lb	30407	\$3,190.00
2,500 lb	30405	\$3,190.00

## Dimensions

Rated Capacity	C	C1	H	H1	L	L1	L2	W	W1	W2	W3
lb/in											
50 to 250	0.34	-	3.13	0.50	4.00	3.25	2.38	3.88	3.00	2.25	-
500	0.44	0.56	3.88	0.50	6.00	4.00	3.38	5.50	4.00	3.00	4.13
1,000	0.44	-	4.00	0.50	6.00	4.00	3.00	5.13	4.00	3.00	4.13
2,000 to 2,500	0.44	0.56	4.00	0.50	6.00	4.00	4.62	6.25	4.00	3.00	5.00





# RL50219SS-TA

Mini Tank Weighing Module, Stainless Steel

LOAD CELLS /  
WEIGH MODULES



RL50219SS-TA stainless (50lb-250lb)

Picture is a representation of actual product.

## Complete Kit Includes

- Three or four neoprene isolation/compression mounts with load cells
- 50 to 250 lb model: RL50219SS
- 500 lb model: stainless steel single-ended beam
- One JB4SS NEMA Type 4X stainless steel signal trim junction box
- 25 ft of hostile environment EL147HE SURVIVOR® load cell cable

## Standard Features

- Stainless steel modules
- Lower weighing ranges from 50 to 500 lb per module
- Environmentally protected load cells
- Neoprene isolation/compression mounts allow for minor misalignment, thermal expansion and shock absorption
- Overload stop for 500 lb modules provides durability

## Applications

- Small tanks and hoppers
- Conveyor/In-motion weighing
- Small platform scales where minor shock loading may occur

## Order Information

Load Rating (Per Module)	Part #	Price
<b>Single Module (Includes Load Cell)</b>		
50 lb	196829	\$710.00
75 lb	196830	\$710.00
100 lb	196831	\$710.00
150 lb	196832	\$710.00
250 lb	196833	\$710.00
500 lb	17954	\$735.00
<b>3-Module Kit</b>		
50 lb	196840	\$2,410.00
75 lb	196841	\$2,410.00
100 lb	196842	\$2,410.00
150 lb	196843	\$2,410.00
250 lb	196844	\$2,410.00
500 lb	30394	\$2,435.00
<b>4-Module Kit</b>		
50 lb	196845	\$3,115.00
75 lb	197015	\$3,115.00
100 lb	196846	\$3,115.00
150 lb	196848	\$3,115.00
250 lb	196849	\$3,115.00
500 lb	30393	\$3,190.00

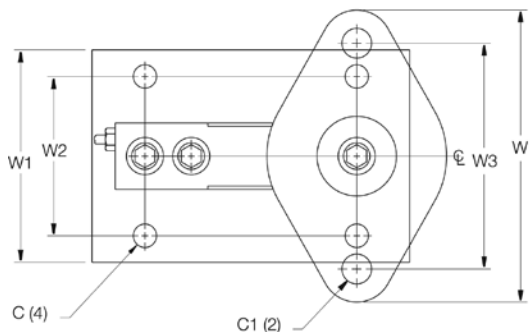
# RL50219SS-TA

Mini Tank Weighing Module, Stainless Steel

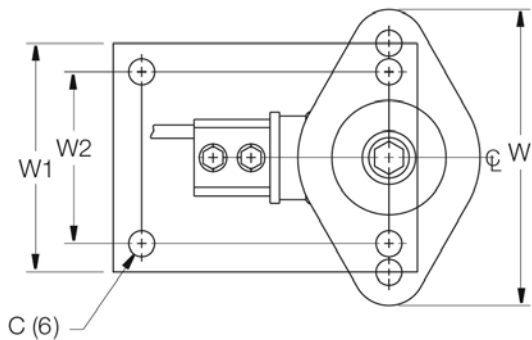
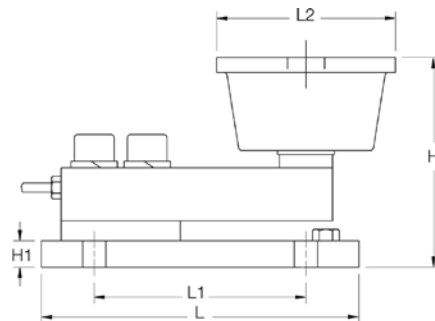
LOAD CELLS /  
WEIGH MODULES

## Dimensions

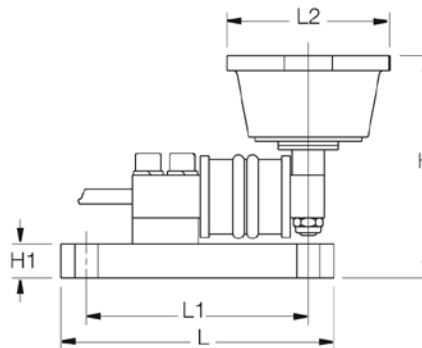
Rated Capacity	C	C1	H	H1	L	L1	L2	W	W1	W2	W3
lb/in											
50 to 250	0.34	-	3.13	0.50	4.00	3.25	2.38	3.88	3.00	2.25	-
500	0.44	0.56	3.88	0.50	6.00	4.00	3.38	5.50	4.00	3.00	4.13

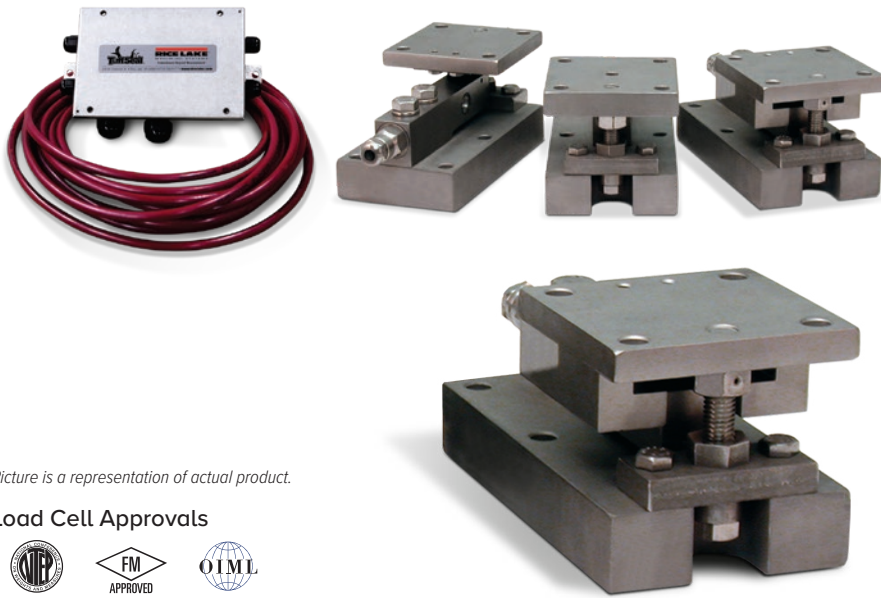


500lb



50-250lb





Picture is a representation of actual product.

### Load Cell Approvals



### Complete Kit Includes

- One fixed-pin module, one side-stop module, and one or two free-sliding assemblies. Each module is complete with a NTEP Certified Flintec SB5 stainless steel environmentally protected load cell.
- One JB4SS NEMA Type 4X stainless steel signal trim junction box
- 25 ft of hostile environment EL147HE SURVIVOR® load cell cable

### Standard Features

- Capacities (per module): 5 to 20 kN
- NTEP Certified 1:5000d, Class II load cells
- Unique design allows for thermal expansion/contraction
- Jacking screw allows empty vessel to be lifted clear of load cell for maintenance
- Unique blind load hole eliminates unwanted side and eccentric loads
- Vessel is free to slide laterally on PTFE-coated surfaces
- mV/V/ohm load cell outputs allow for replacement without further calibration

### Applications

- Light- to medium-capacity tanks and hoppers
- Process measurement and control

### Order Information

Load Rating (Per Module)	Part #	Price
<b>NTEP Certified 3-Module Kits</b>		
5 kN	<b>33683</b>	\$2,665.00
10 kN	<b>33682</b>	\$2,665.00
20 kN	<b>33681</b>	\$2,665.00
50 kN	<b>33680</b>	\$3,055.00
<b>NTEP Certified 4-Module Kits</b>		
5 kN	<b>33678</b>	\$3,553.00
10 kN	<b>33677</b>	\$3,553.00
20 kN	<b>33676</b>	\$3,553.00
50 kN	<b>33675</b>	\$4,372.00
<b>Non-NTEP Certified 3-Module Kit</b>		
100 kN	<b>33679</b>	\$4,832.00
<b>Non-NTEP Certified 4-Module Kit</b>		
100 kN	<b>33674</b>	\$4,832.00

NOTE: 1 kN=224.8 lb

# Paramounts® EP

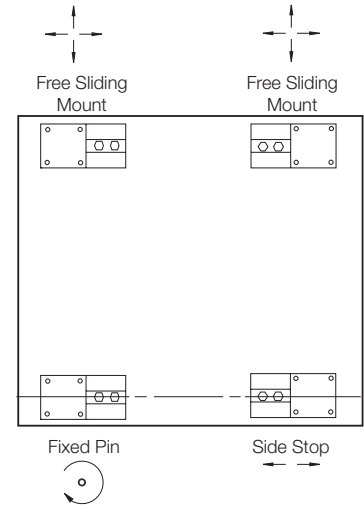
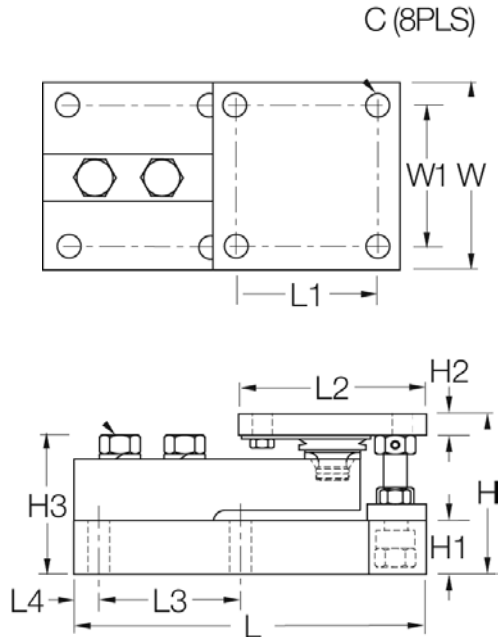
Environmentally Protected, Mild Steel, Light- to Medium-capacity Tank Weighing Systems

LOAD CELLS / WEIGH MODULES

## Dimensions

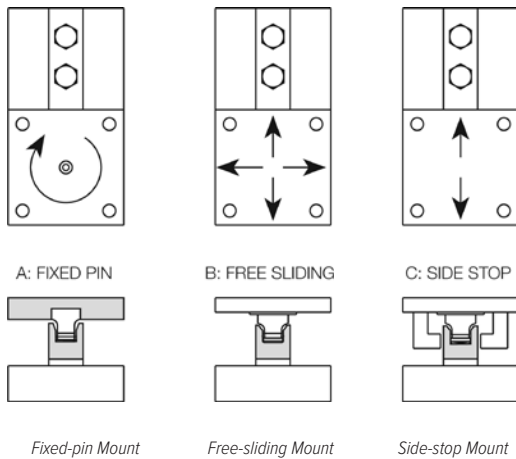
Rated Capacity	C	H	H1	*H2	**H2	H3	L	L1	L2	L3	L4	W	W1
kN/in													
5 to 20	0.44	3.58	1.25	0.50	0.75	3.06	7.51	3.00	4.00	3.00	0.50	4.00	3.00
50	0.56	4.66	1.50	0.62	1.00	4.09	9.19	3.87	5.00	3.87	0.56	5.00	3.87
100	0.69	6.41	2.00	0.75	1.25	5.73	11.46	4.75	6.00	4.75	0.69	6.00	4.75

\* Side-stop and free-sliding units    \*\* Fixed-pin units



### VESSEL ARRANGEMENT

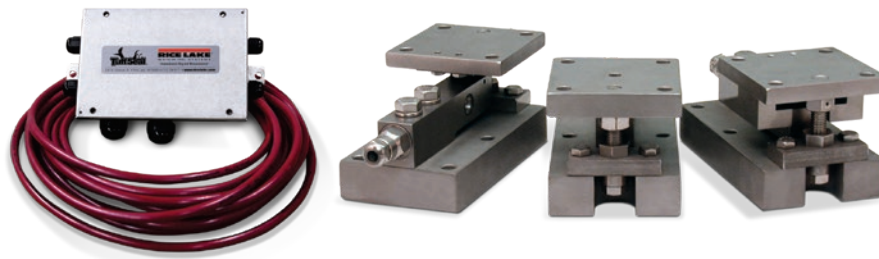
When arranged as illustrated, the vessel is fixed at one corner but is able to slide freely as indicated. This ensures there is minimal side loading on the cells and at the same time the vessel is self-checking. The unique, patented blind load hole technology used in these mounts introduces the load at the neutral axis of the load cell which helps minimize the effects of side loads.



Fixed-pin Mount

Free-sliding Mount

Side-stop Mount

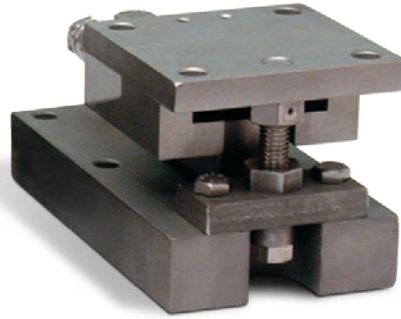


Picture is a representation of actual product.

### Load Cell Approvals



Available



### Complete Kit Includes

- One fixed-pin module, one side-stop module, and one or two free-sliding assemblies. Each module is complete with a Flintec SB4 NTEP Certified, stainless steel, hermetically sealed load cell.
- One JB4SS NEMA Type 4X stainless steel signal trim junction box
- 25 ft of hostile environment EL147HE SURVIVOR® load cell cable

### Standard Features

- Capacities (per module): 5 kN to 100 kN
- Unique design allows for thermal expansion/contraction
- Jacking screw allows empty vessel to be lifted clear of load cell for maintenance
- Unique blind load hole eliminates unwanted side and eccentric loads
- Vessel is free to slide laterally on PTFE-coated surfaces
- Load cell outputs are matched to  $\pm 0.07\%$  allowing replacement without further calibration

### Applications

- Light- to medium-capacity tanks and hoppers
- Mixers and blenders
- Process measurement and control

### Order Information

Load Rating (Per Module)	Part #	Price
<b>NTEP Certified 3-Module Kit</b>		
5 kN	29871	\$3,370.00
10 kN	29872	\$3,370.00
23 kN	29873	\$3,370.00
50 kN	29874	\$4,000.00
<b>NTEP Certified 4-Module Kit</b>		
5 kN	29875	\$4,535.00
10 kN	29876	\$4,535.00
23 kN	29877	\$4,535.00
50 kN	29878	\$5,135.00
<b>Non-NTEP Certified 3-Module Kit</b>		
5 kN	17977	\$3,265.00
10 kN	17978	\$3,265.00
23 kN	17979	\$3,265.00
50 kN	17980	\$3,962.00
100 kN	17981	\$5,090.00

Load Rating (Per Module)	Part #	Price
<b>Non-NTEP Certified 4-Module Kit</b>		
5 kN	17984	\$4,282.00
10 kN	17985	\$4,282.00
23 kN	17986	\$4,282.00
50 kN	17987	\$4,875.00
100 kN	17988	\$6,160.00
<b>Conduit Adapter Kit (must be factory installed to maintain warranty)</b>		
1/2-14 NPT	17703	\$50.00

# Paramounts® HS

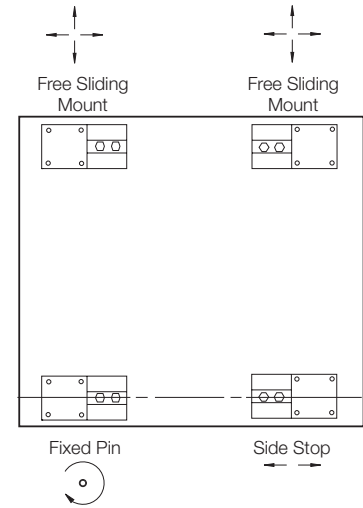
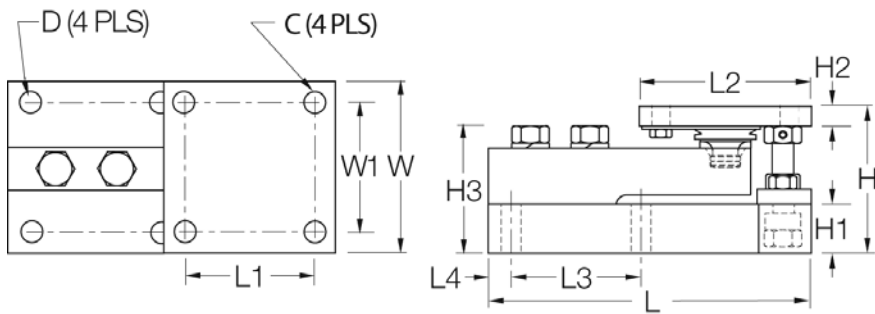
Hermetically Sealed, Mild Steel, Light- to Medium-capacity Tank Weighing Systems

LOAD CELLS /  
WEIGH MODULES

## Dimensions

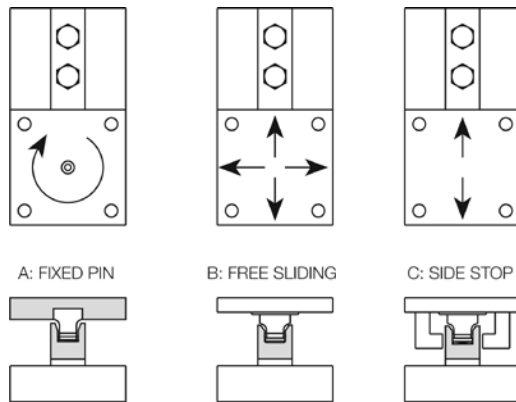
Rated Capacity	C	D	H	H1	*H2	**H2	H3	L	L1	L2	L3	L4	W	W1
5 kN to 23 kN	0.44	0.44	3.58	1.25	0.50	0.75	3.06	7.51	3.00	4.00	3.00	0.50	4.00	3.00
50 kN	0.56	0.56	4.66	1.50	0.62	1.00	4.09	9.19	3.87	5.00	3.87	0.56	5.00	3.87
100 kN	0.69	0.69	6.41	2.00	0.75	1.25	5.73	11.46	4.75	6.00	4.75	0.69	6.00	4.75

\* Side-stop and free-sliding units    \*\* Fixed-pin units



### VESSEL ARRANGEMENT

When arranged as illustrated, the vessel is fixed at one corner but is able to slide freely as indicated. This ensures there is minimal side loading on the cells and at the same time the vessel is self-checking. The unique, patented blind load hole technology used in these mounts introduces the load at the neutral axis of the load cell which helps minimize the effects of side loads.

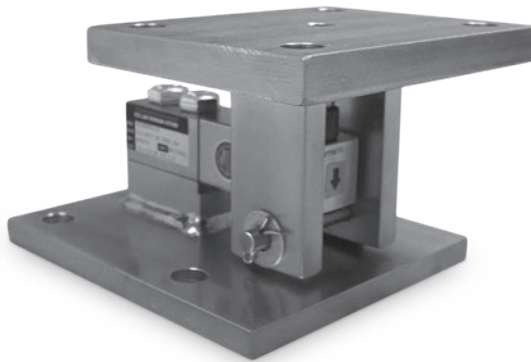


Fixed-pin Mount

Free-sliding Mount

Side-stop Mount





Picture is a representation of actual product.

### Standard Features

- Capacities (per module): 250 to 5,000 lb SE
- Zinc plated, mild steel construction or stainless steel construction
- Self-checking, multi-directional movement
- Design incorporates a ball and cup for self-centering
- The RLBTM will accommodate a standard shear beam 250 to 5,000 lb SE load cell that has a threaded load hole such as the RL30000, RL39123, RL35023, RL35082 and RL35083

### Applications

- Light- to medium-capacity tanks and hoppers
- Conveyors

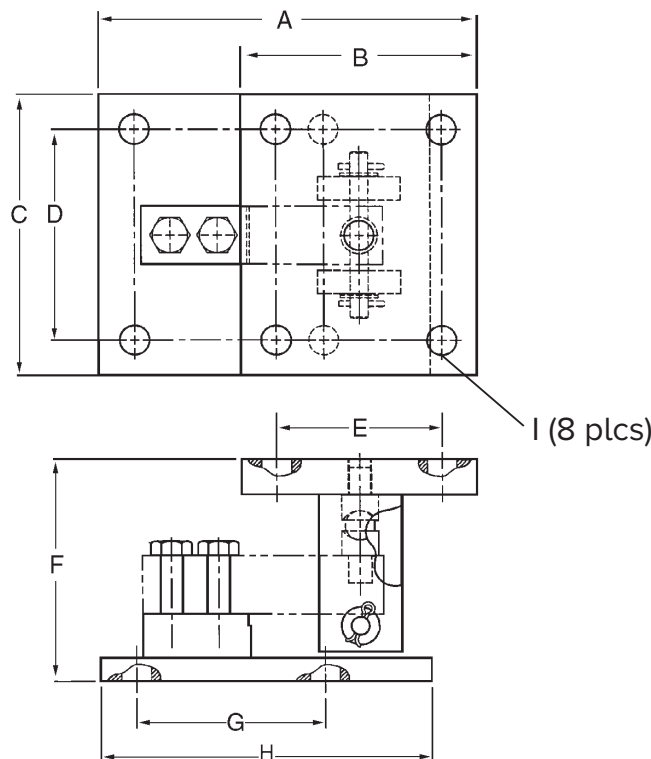
### Order Information

Load Rating (Per Module)	Part #	Price
<b>Single Module Mild Steel</b>		
250 lb to 5,000 lb SE	<b>53059</b>	\$430.00
<b>Single Module Stainless Steel</b>		
250 lb to 5,000 lb SE	<b>53066</b>	\$655.00

### Dimensions

Rated Capacity	A	B	C	D	E	F	G	H	I
250 to 5,000 SE	8.00	5.00	6.00	4.50	3.50	4.75	4.00	7.00	0.63

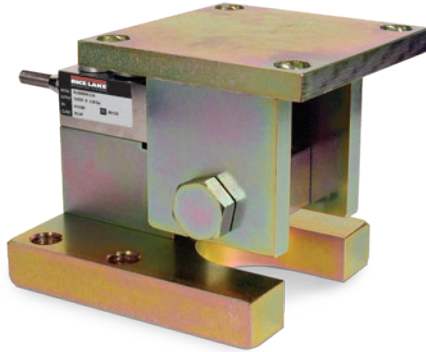
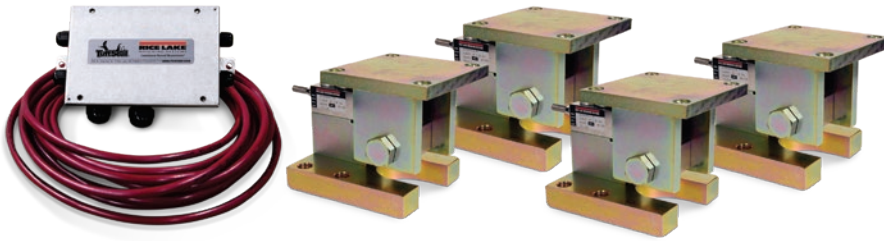
SE refers to small envelope



# RL1800 Series

Mild Steel/Stainless Steel Weigh Modules

LOAD CELLS /  
WEIGH MODULES



Picture is a representation of actual product.

## Load Cell Approvals



Except 250lb



## Mild Steel Order Information

Load Rating (Per Module)	Part #	Price
<b>Single Module (Does NOT Include Load Cell)</b>		
250 lb to 5,000 lb SE	<b>17817</b>	\$399.00
5,000 lb LE to 10,000 lb	<b>17819</b>	\$428.00
<b>3-Module Kit</b>		
250 lb*	<b>18075</b>	\$2,350.00
500 lb	<b>18076</b>	\$2,350.00
1,000 lb	<b>18077</b>	\$2,350.00
2,000 lb	<b>18078</b>	\$2,350.00
2,500 lb	<b>18079</b>	\$2,350.00
3,000 lb	<b>18080</b>	\$2,350.00
4,000 lb	<b>18081</b>	\$2,350.00
5,000 lb SE	<b>18082</b>	\$2,350.00
5,000 lb LE	<b>18083</b>	\$2,700.00
10,000 lb	<b>18084</b>	\$2,700.00
<b>4-Module Kit</b>		
250 lb*	<b>18085</b>	\$3,050.00
500 lb	<b>18086</b>	\$3,050.00
1,000 lb	<b>18087</b>	\$3,050.00
2,000 lb	<b>18088</b>	\$3,050.00
2,500 lb	<b>18089</b>	\$3,050.00
3,000 lb	<b>18090</b>	\$3,050.00
4,000 lb	<b>18091</b>	\$3,050.00
5,000 lb SE	<b>18092</b>	\$3,050.00
5,000 lb LE	<b>18093</b>	\$3,500.00
10,000 lb	<b>18094</b>	\$3,500.00

SE=Small envelope; LE=Large envelope

\* Non-NTEP

## Stainless Steel Order Information

Load Rating (Per Module)	Part #	Price
<b>Single Module (Does NOT Include Load Cell)</b>		
250 lb to 4,000 lb	<b>17818</b>	\$640.00
5,000 lb to 10,000 lb	<b>17820</b>	\$675.00
<b>3-Module Kit</b>		
1,000 lb	<b>18095</b>	\$3,190.00
2,000 lb	<b>18096</b>	\$3,190.00
2,500 lb	<b>18097</b>	\$3,190.00
4,000 lb	<b>18099</b>	\$3,190.00
5,000 lb LE	<b>18100</b>	\$3,445.00
10,000 lb	<b>18101</b>	\$3,445.00
<b>4-Module Kit</b>		
1,000 lb	<b>18102</b>	\$4,250.00
2,000 lb	<b>18103</b>	\$4,250.00
2,500 lb	<b>18104</b>	\$4,250.00
4,000 lb	<b>18106</b>	\$4,250.00
5,000 lb LE	<b>18107</b>	\$4,595.00
10,000 lb	<b>18108</b>	\$4,595.00
<b>Dummy Cell</b>		
Dummy load cell 1 k to 5 k SE	<b>22980</b>	\$53.00

## Complete Kit Includes

- Three or four RL1800 mild steel or stainless steel compression mounts with NTEP Certified RL32018 single-ended beam load cells, RL32018S used in stainless steel
- One JB4SS NEMA Type 4X stainless steel signal trim junction box
- 25 ft of hostile environment EL147HE SURVIVOR® load cell cable

## Standard Features

- Capacities (per module): 250 to 10,000 lb
- NTEP Certified cells in 500 to 10,000 lb capacities, except 3,000 lb
- Zinc plated mild steel/stainless steel construction
- Center-pivoted, tension loading design
- Self-checking, multi-directional movement
- Load is suspended on high-strength bolt instead of wire rope
- Design incorporates spherical washers for self centering

## Applications

- Conveyors
- Medium-capacity tanks and hoppers
- Mixers and blenders
- Process measurement and control

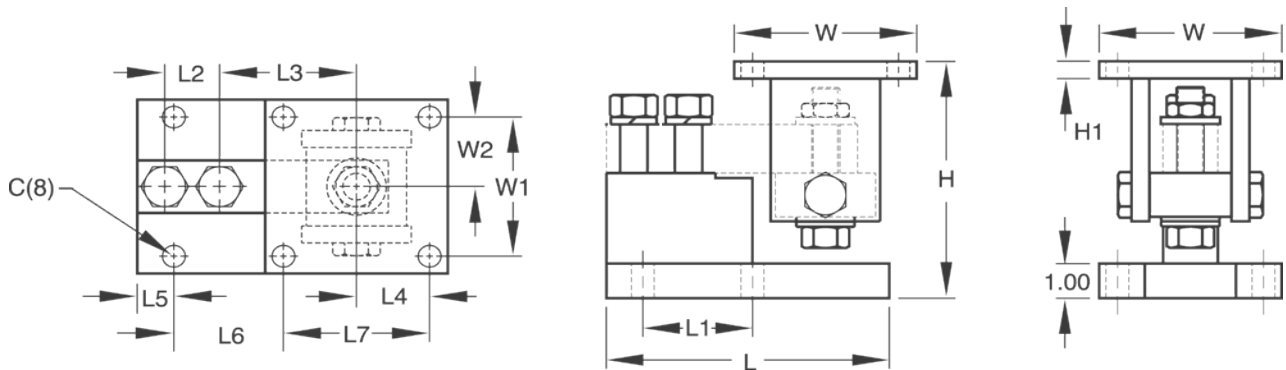
# RL1800 Series

Mild Steel/Stainless Steel Weigh Modules

LOAD CELLS /  
WEIGH MODULES

## Dimensions

Rated Capacity	C	H Min/Max	H1	L	L1	L2	L3	L4	L5	L6	L7	W	W1	W2
<b>Mild Steel Construction</b>														
lb/in														
250 to 5,000SE	0.62	5.25/5.56	0.50	6.00	2.00	1.00	3.00	2.00	0.68	1.94	4.00	5.00	4.00	2.00
5,000LE to 10,000	0.62	6.12/6.62	0.50	7.75	3.00	1.50	3.75	2.00	1.03	2.97	4.00	5.00	4.00	2.00
<b>Stainless Steel Construction</b>														
lb/in														
1,000 to 4,000	0.62	5.25/5.56	0.50	6.00	2.00	1.00	3.00	2.00	0.68	1.94	4.00	5.00	4.00	2.00
5,000 to 10,000	0.62	6.12/6.62	0.50	7.75	3.00	1.50	3.75	2.00	1.03	2.97	4.00	5.00	4.00	2.00



# RL1800 Series Coated Load Cell Version

Stainless Steel Weigh Modules

LOAD CELLS /  
WEIGH MODULES



Picture is a representation of actual product.

## Load Cell Approvals



## Stainless Steel Order Information

Load Rating (Per Module)	Part #	Price
<b>Single Module (Does NOT Include Load Cell)</b>		
1,000 lb-4,000 lb	17818	\$640.00
5,000 lb-10,000 lb	17820	\$675.00
<b>3-Module Kit</b>		
1,000 lb	219894	\$3,150.00
1,500 lb	219896	\$3,150.00
2,000 lb	219898	\$3,150.00
2,500 lb	219900	\$3,150.00
3,000 lb	219902	\$3,150.00
4,000 lb	219904	\$3,150.00
5,000SE lb	219906	\$3,150.00
5,000LE lb	219908	\$3,540.00
10,000 lb	219910	\$3,540.00
<b>4-Module Kit</b>		
1,000 lb	219895	\$4,140.00
1,500 lb	219897	\$4,140.00
2,000 lb	219899	\$4,140.00
2,500 lb	219901	\$4,140.00
3,000 lb	219903	\$4,140.00
4,000 lb	219905	\$4,140.00
5,000SE lb	219907	\$4,140.00
5,000LE lb	219909	\$4,650.00
10,000 lb	219911	\$4,650.00

SE=Small envelope; LE=Large envelope

## Dimensions

Rated Capacity	C	H Min/Max	H1	L	L1	L2	L3	L4	L5	L6	L7	W	W1	W2
<b>lb/in</b>														
1,000 to 5,000SE	0.62	5.25/5.56	0.50	6.00	2.00	1.00	3.00	2.00	0.68	1.94	4.00	5.00	4.00	2.00
5,000LE to 10,000	0.62	6.12/6.62	0.50	7.75	3.00	1.50	3.75	2.00	1.03	2.97	4.00	5.00	4.00	2.00

## Complete Kit Includes

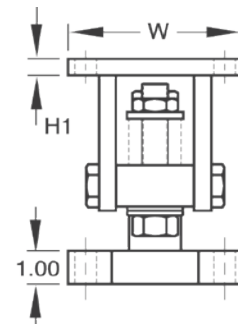
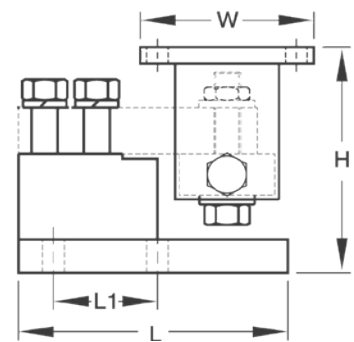
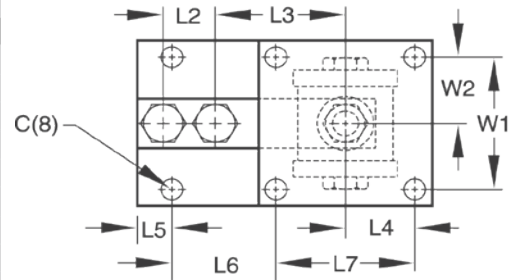
- Three or four RL1800 stainless steel compression mounts with RL32018 coated NTEP Certified stainless steel single-ended beam load cells
- One JB4SS NEMA Type 4X stainless steel signal trim junction box
- 25 ft of hostile environment EL147HE SURVIVOR® load cell cable

## Standard Features

- Capacities (per module): 1,000 to 10,000 lb
- NTEP Certified cells in 1,000 to 10,000 lb capacities
- Stainless steel mounts
- Center-pivoted, tension loading design
- Self-checking, multi-directional movement
- Load is suspended on high-strength bolt instead of wire rope
- Design incorporates spherical washers for self centering
- Coated load cells for corrosion protection

## Applications

- Conveyors
- Medium-capacity tanks and hoppers



# RL1900 Series

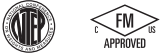
## Stainless Steel Weigh Modules

LOAD CELLS /  
WEIGH MODULES



Picture is a representation of actual product.

### Load Cell Approvals

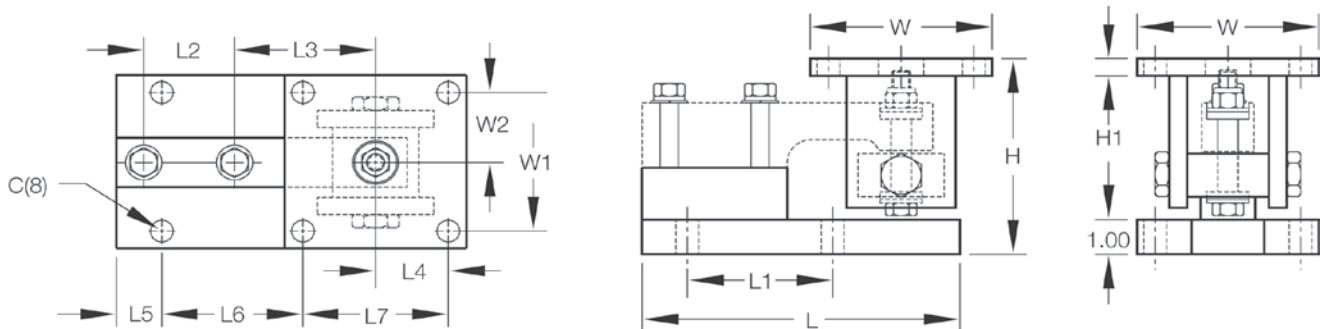


### Order Information

Load Rating (Per Module)	Part #	Price
<b>Single Module (Does NOT Include Load Cell)</b>		
1,000 lb to 5,000 lb	17841	\$700.00
10,000 lb	17843	\$760.00
<b>3-Module Kit</b>		
1,000 lb	18109	\$4,285.00
2,000 lb	18110	\$4,285.00
5,000 lb	18111	\$4,285.00
10,000 lb	18112	\$4,770.00
<b>4-Module Kit</b>		
1,000 lb	18113	\$5,710.00
2,000 lb	18114	\$5,710.00
5,000 lb	18115	\$5,710.00
10,000 lb	18116	\$5,710.00

### Dimensions

Rated Capacity C	H Min/Max	H1	L	L1	L2	L3	L4	L5	L6	L7	W	W1	W2	
lb/in														
1,000 to 5,000	0.62	5.38/5.62	0.50	8.75	4.00	2.50	3.88	2.00	1.12	4.00	4.00	5.00	4.00	2.00
10,000	0.81	6.88/7.50	1.00	9.75	5.00	2.63	4.88	2.25	1.00	5.00	4.50	6.00	4.50	2.25



### Complete Kit Includes

- Three or four RL1900 stainless steel compression mounts with RLSSB NTEP Certified welded stainless steel single-ended beam load cells
- One JB4SS NEMA Type 4X stainless steel signal trim junction box
- 25 ft of hostile environment EL147HE SURVIVOR® load cell cable

### Standard Features

- Capacities (per module): 1,000 to 10,000 lb
- NTEP Certified load cells, 1:5000d, Class III single cell
- Stainless steel construction
- Center-pivoted, tension loading design
- Welded-seal stainless steel load cells, IP67
- Self-checking, multi-directional movement
- Easy load cell replacement
- Load is suspended on high-strength bolt instead of wire rope
- Design incorporates spherical washers
- Compatible with RTI SSB load cells

### Applications

- Medium-capacity tanks, bins and hoppers
- Washdown applications

# RLTM

Stainless Steel Tank Weigh Modules

LOAD CELLS /  
WEIGH MODULES



Picture is a representation of actual product.

## Load Cell Approvals

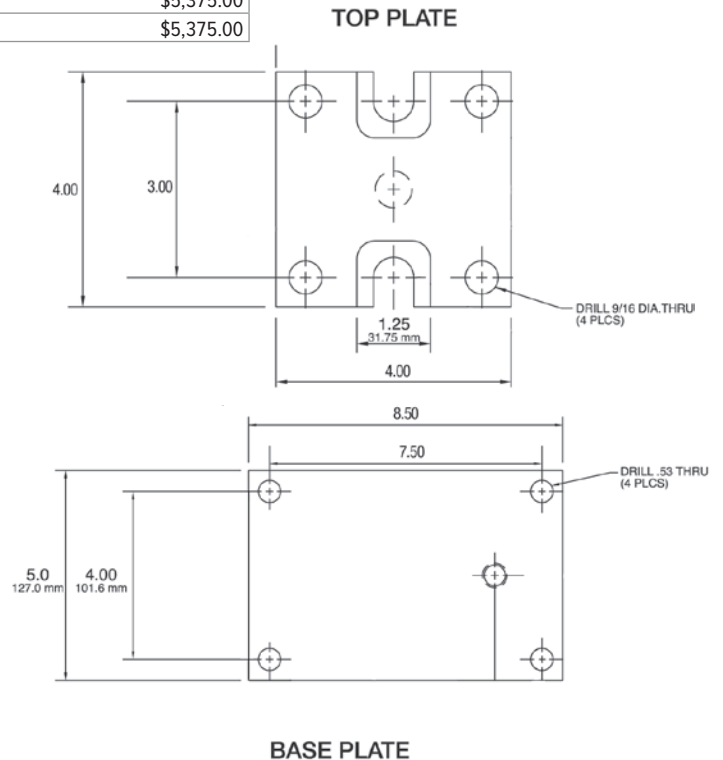
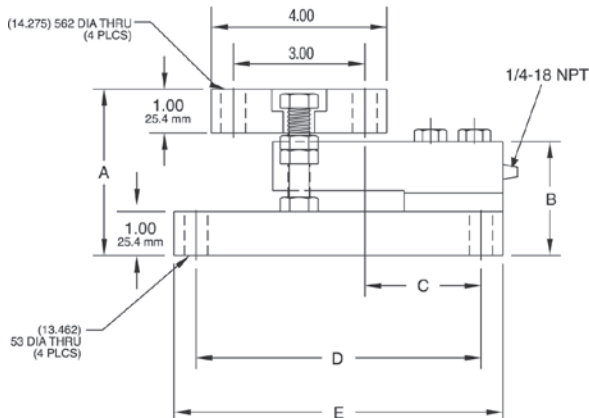


## Order Information

Load Rating (Per Module)	Part #	Price
<b>Single Module (Includes Load Cell)</b>		
500 lb	159288	\$1,085.00
1,250 lb	159289	\$1,085.00
2,500 lb	159290	\$1,085.00
5,000 lb	159291	\$1,310.00
10,000 lb	159292	\$1,310.00
<b>3-Module Kit</b>		
500 lb	162942	\$3,375.00
1,250 lb	162944	\$3,375.00
2,500 lb	162945	\$3,375.00
5,000 lb	162946	\$4,180.00
10,000 lb	162947	\$4,180.00
<b>4-Module Kit</b>		
500 lb	162948	\$4,465.00
1250 lb	162949	\$4,465.00
2500 lb	162950	\$4,465.00
5000 lb	162951	\$5,375.00
10,000 lb	162953	\$5,375.00

## Dimensions

Rated Capacity	A	B	C	D	E
500 to 2,500	3.77	2.59	2.62	6.50	7.50
5,000	3.99	2.83	2.62	6.50	7.50
10,000	4.27	3.08	3.88	7.50	8.50



## Complete Kit Includes

- Three or four Rice Lake RLTM stainless steel mounting assemblies with RL32018S-T NTEP Certified, welded-seal stainless steel load cells
- One JB4SS NEMA Type 4X stainless steel signal trim junction box
- 25 ft of hostile environment EL147HE SURVIVOR® load cell cable

## Standard Features

- Capacities (per module) 500 to 10,000 lb
- NTEP Certified load cells, 1:5,000d, Class III multiple cell
- Stainless steel construction
- Overload and uplift protection
- Rocker pin loading
- Integral lateral stops

## Applications

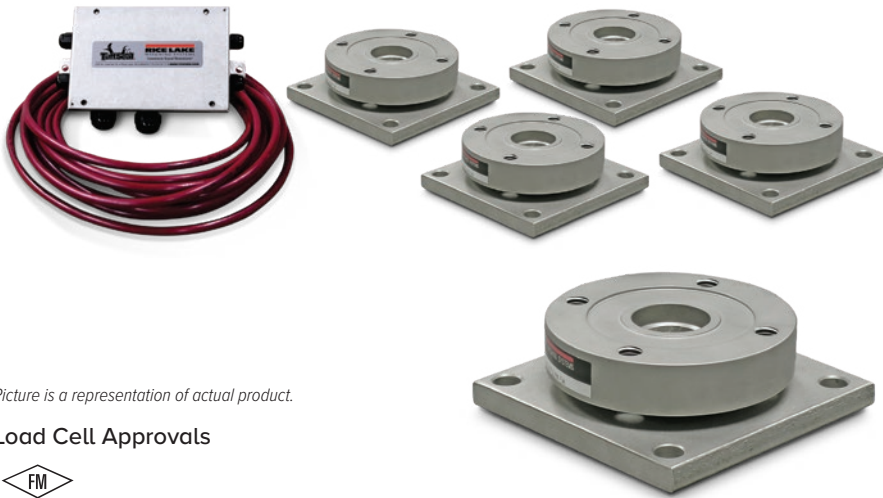
- Lower capacity tank and vessel weighing
- Process control and batching



# RL9000TWM Series

Stainless Steel, Tank, Hopper and Vessel Weighing Assembly

LOAD CELLS /  
WEIGH MODULES



Picture is a representation of actual product.

## Load Cell Approvals



## Complete Kit Includes

- Three or four stainless steel mounting assemblies with RL9000TWM compression disk load cells
- One JB4SS NEMA Type 4X stainless steel signal trim junction box
- 25 ft of hostile environment EL147HE SURVIVOR® load cell cable

## Standard Features

- Capacities (per module): 1,000 to 450,000 lb
- Stainless steel construction
- Very low profile design
- Self-centering
- Self-checking assembly
- Offers 100% sideload, 100% uplift and 150% static safe load and 300% ultimate static overload protection
- Weighs accurately with up to 3° non-parallel load

## Optional Features

- Stainless steel top plates (150,000 to 450,000 lb have mild steel painted base plate)

## Applications

- Tank, hopper or vessel weighing

## Specifications

- Full Scale Output:**  
3.0 ( $\pm 0.1\%$ ) mV/V
- Bridge Resistance:**  
350 ohm
- Material/Finish:**  
Stainless steel
- Operating Temperature:**  
0 °F to 150 °F (-17 °C to 65 °C)
- Seal Type:**  
Welded-seal, IP67
- Safe Overload:**  
150% full scale
- Rated Excitation:**  
5 to 10 VDC
- Insulation Resistance:**  
5,000 megohm
- Non-linearity:**  
1 to 100 K: 0.05% FS  
150 to 450 K: 0.1% FS
- Non-repeatability:**  
1 to 100 K: 0.02% full scale  
150 to 450 K: 0.03% full scale
- Cable Length:**  
25 ft
- Deflection at Capacity:**  
1 to 15 K: 0.002 in  
20 to 50 K: 0.004 in  
60 to 100 K: 0.007 in  
150 to 200 K: 0.007 in  
250 to 400 K: 0.009 in
- Cable Color Code:**  
Green +Excitation  
Black -Excitation  
White +Signal  
Red -Signal
- Warranty:**  
Two-year limited

# RL9000TWM Series

Stainless Steel, Tank, Hopper and Vessel Weighing Assembly

LOAD CELLS / WEIGH MODULES

## Order information

Load Rating (Per Module)	Part #	Price
<b>Single Module</b>		
1,000 lb	84353	\$710.00
2,500 lb	84354	\$710.00
5,000 lb	84355	\$710.00
10,000 lb	84356	\$710.00
15,000 lb	84357	\$710.00
20,000 lb	84358	\$1,350.00
25,000 lb	84359	\$1,350.00
35,000 lb	84360	\$1,350.00
50,000 lb	84361	\$1,350.00
60,000 lb	84362	\$2,255.00
75,000 lb	84363	\$2,255.00
100,000 lb	84364	\$2,255.00
150,000 lb	84365	\$4,600.00
200,000 lb	84366	\$4,600.00
250,000 lb	84368	\$6,750.00
300,000 lb	84369	\$6,750.00
400,000 lb	84370	\$6,750.00
450,000 lb	84371	\$6,750.00
<b>3-Module Kit</b>		
1,000 lb	98974	\$2,355.00
2,500 lb	98980	\$2,355.00
5,000 lb	98981	\$2,355.00
10,000 lb	98982	\$2,355.00
15,000 lb	98983	\$2,355.00
20,000 lb	98984	\$4,275.00
25,000 lb	98985	\$4,275.00
35,000 lb	98986	\$4,275.00
50,000 lb	98987	\$4,275.00
60,000 lb	98988	\$6,930.00
75,000 lb	98989	\$6,930.00
100,000 lb	98990	\$6,930.00
150,000 lb	98991	\$13,935.00
200,000 lb	98992	\$13,935.00
250,000 lb	98993	\$20,415.00
300,000 lb	98994	\$20,415.00
400,000 lb	98995	\$20,415.00
450,000 lb	98996	\$20,415.00
<b>4-Module Kit</b>		
1,000 lb	98997	\$2,970.00
2,500 lb	98998	\$2,970.00
5,000 lb	98999	\$2,970.00
10,000 lb	99000	\$2,970.00
15,000 lb	99001	\$2,970.00
20,000 lb	99002	\$5,530.00
25,000 lb	99003	\$5,530.00
35,000 lb	99004	\$5,530.00
50,000 lb	99005	\$5,530.00
60,000 lb	99006	\$9,110.00
75,000 lb	99007	\$9,110.00
100,000 lb	99008	\$9,110.00
150,000 lb	99009	\$18,435.00
200,000 lb	99010	\$18,435.00
250,000 lb	99011	\$27,050.00
300,000 lb	99012	\$27,050.00
400,000 lb	99013	\$27,050.00
450,000 lb	99014	\$27,050.00

Load Rating (Per Module)	Part #	Price
<b>Top Plates (Stainless Steel) with bolts</b>		
1,000 to 15,000 lb	91207	\$125.00
20,000 to 50,000 lb	91210	\$285.00
60,000 to 100,000 lb	91211	\$465.00
150,000 to 200,000 lb	91213	\$740.00
250,000 to 450,000 lb	91215	\$1,710.00
<b>Top Plates (Mild Steel) with bolts</b>		
1,000 to 15,000 lb	124758	\$60.00
20,000 to 50,000 lb	125141	\$115.00
60,000 to 100,000 lb	124759	\$165.00
150,000 to 200,000 lb	124760	\$262.00
250,000 to 450,000 lb	124761	\$388.00
<b>Dummy Weigh Modules (non-functioning)</b>		
1,000 to 10,000 lb	158749	\$100.00
15,000 lb	158750	\$130.00
20,000 to 50,000 lb	158752	\$145.00
60,000 to 100,000 lb	158753	\$160.00
150,000 to 200,000 lb	158754	\$410.00
250,000 to 450,000 lb	158755	\$435.00

150,000 to 450,000 lb have mild steel painted base plates

## Order information

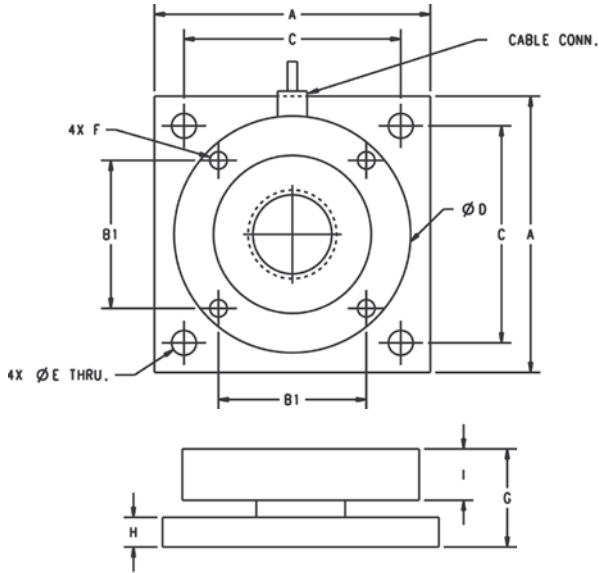
Capacity	Thickness	Material	Part #	Price
<b>Shims</b>				
1,000 to 15,000 lb	0.0625	SST	167001	\$6.00
1,000 to 15,000 lb	0.125	SST	167002	\$8.00
1,000 to 15,000 lb	0.250	SST	167003	\$11.00
1,000 to 15,000 lb	0.0625	MS	167004	\$2.50
1,000 to 15,000 lb	0.125	MS	167005	\$2.75
1,000 to 15,000 lb	0.250	MS	167006	\$3.25
20,000 lb to 50,000 lb	0.0625	SST	167008	\$15.00
20,000 lb to 50,000 lb	0.125	SST	167009	\$22.00
20,000 lb to 50,000 lb	0.250	SST	167010	\$34.00
20,000 lb to 50,000 lb	0.0625	MS	167011	\$9.00
20,000 lb to 50,000 lb	0.125	MS	167012	\$9.00
20,000 lb to 50,000 lb	0.250	MS	167013	\$10.00
60,000 lb to 100,000 lb	0.0625	SST	167014	\$24.00
60,000 lb to 100,000 lb	0.125	SST	167015	\$34.00
60,000 lb to 100,000 lb	0.250	SST	167016	\$53.00
150,000 lb to 200,000 lb	0.0625	SST	167020	\$32.00
150,000 lb to 200,000 lb	0.125	SST	167021	\$40.00
150,000 lb to 200,000 lb	0.250	SST	167022	\$65.00
250,000 lb to 450,000 lb	0.0625	SST	167026	\$40.00
250,000 lb to 450,000 lb	0.125	SST	167027	\$58.00
250,000 lb to 450,000 lb	0.250	SST	167028	\$75.00

Shims match dimensions of base plate and optional top plate

# RL9000TWM Series

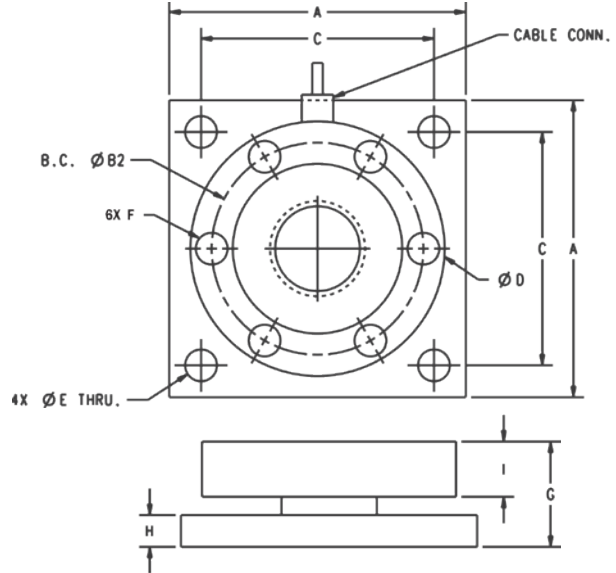
Stainless Steel, Tank, Hopper and Vessel Weighing Assembly

LOAD CELLS /  
WEIGH MODULES



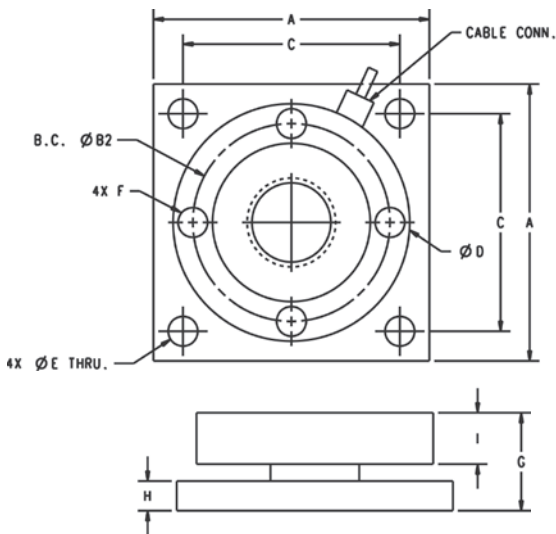
## Dimensions

Rated Capacity	A	B1	C	D	E	F	G	H	I	Conduit Adapter
1,000 to 10,000	4.00	2.00	3.25	3.50	0.40	3/8-16 UNC	1.35	0.375	0.75	-
15,000	4.00	2.00	3.25	3.50	0.40	3/8-16 UNC	1.60	0.625	0.75	-
20,000 to 50,000	7.00	3.75	5.50	6.00	0.63	1/2-13 UNC	2.48	0.75	1.30	1/2-14 NPT
60,000 to 100,000	8.00	4.25	6.50	7.00	0.81	3/4-16 UNC	2.50	1.00	1.30	1/2-14 NPT



## Dimensions

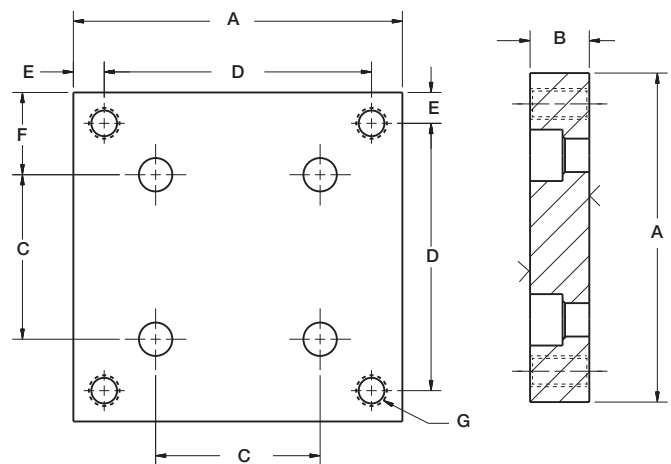
Rated Capacity	A	B2	C	D	E	F	G	H	I	Conduit Adapter
250,000 to 450,000	11.00	7.75	9.00	9.00	1.30	7/8-14 UNF	6.42	3.00	2.25	1/2-14 NPT



## Dimensions

Rated Capacity	A	B2	C	D	E	F	G	H	I	Conduit Adapter
150,000 to 200,000	10.0	7.825	8.00	9.00	1.10	1-14 UNF	4.75	2.00	1.70	1/2-14 NPT

## Optional Top Plates



## Dimensions

Rated Capacity	A	B	C	D	E	F	G
1,000 to 15,000	4.00	0.72	2.00	3.25	0.38	1.00	3/8-16 UNC
20,000 to 50,000	7.00	0.97	3.75	5.50	0.75	1.62	5/8-11 UNC
60,000 to 100,000	8.00	1.46	4.25	6.50	0.75	1.88	3/4-16 UNF
150,000 to 200,000	10.00	1.94	5.53	8.00	1.00	2.25	1-14 UNS
250,000 to 450,000	11.00	2.94	7.75 B.C.	9.00	1.00	1.00	1-1/4-12 UNF

# RL9000TWM-HT

Tank, Hopper and Vessel Weigh Module

LOAD CELLS / WEIGH MODULES



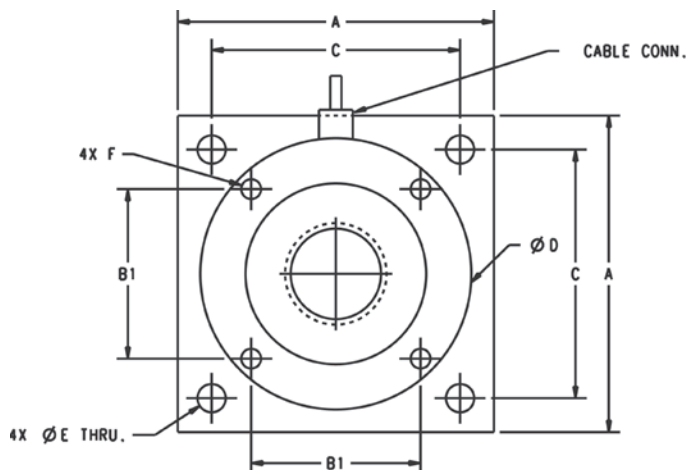
Picture is a representation of actual product.

## Order Information

Load Rating (per module)	Part #	Price
<b>Single Module</b>		
1,000 lb	117050	\$1,285.00
2,500 lb	117051	\$1,285.00
5,000 lb	117052	\$1,285.00
10,000 lb	117140	\$1,285.00
15,000 lb	117053	\$1,285.00
20,000 lb	117054	\$2,045.00
25,000 lb	117055	\$2,045.00
35,000 lb	117056	\$2,045.00
50,000 lb	117057	\$2,045.00
<b>Top Plates (Stainless Steel) with bolts</b>		
1,000 lb to 15,000 lb	91207	\$125.00
20,000 lb to 50,000 lb	91210	\$285.00
<b>Top Plates (Mild Steel) with bolts</b>		
1,000 to 15,000 lb	124758	\$60.00
20,000 to 50,000 lb	125141	\$115.00

## Dimensions

Rated Capacity	A	B1	C	D	E	F	G	H	I	Conduit Adapter
1,000 to 10,000	4.00	2.00	3.25	3.50	0.40	3/8-16 UNC	1.35	0.375	0.75	-
15,000	4.00	2.00	3.25	3.50	0.40	3/8-16 UNC	1.60	0.625	0.75	-
20,000 to 50,000	7.00	3.75	5.50	6.00	0.63	1/2-13 UNC	2.48	0.750	1.30	1/2-14NPT



## Standard Features

- Capacities: 1,000 to 50,000 lb
- Stainless steel construction
- Very low profile design
- Self-centering
- Self-checking assembly
- Offers 100% side load, 100% uplift, 150% safe load and 300% ultimate overload protection
- Weighs accurately with up to 3° non-parallel load

## Optional Features

- Stainless steel top plates
- Higher capacities available upon request

## Applications

- Tank, hopper or vessel weighing
- High temperature applications

## Specifications

### Full Scale Output:

3.0 (± 0.1%) mV/V

### Bridge Resistance:

700 ohm

### Material/Finish:

Stainless steel

### Operating Temperature:

0 °F to 400 °F (-17 °C to 204 °C)

### Seal Type:

Welded seal, IP67

### Safe Overload:

150% full scale

### Insulation Resistance:

5,000 megohm

### Non-linearity:

0.01% full scale

### Non-repeatability:

0.02% full scale

### Cable Length:

25 ft PTFE jacket

### Deflection at Capacity:

1 to 15 K: 0.002 in  
20 to 50 K: 0.004 in

### Cable Color Code:

Green +Excitation  
Black -Excitation  
White +Signal  
Red -Signal

### Warranty:

Two-year limited

# RL2200 Series

Tank, Hopper and Vessel Weighing Assembly

LOAD CELLS /  
WEIGH MODULES



Picture is a representation of actual product.

## Complete Kit Includes

- Three or four RL2200 high-alloy, zinc-plated steel mounting assemblies with RL2200 compression disk load cells.
- One JB4SS NEMA Type 4X stainless steel signal trim junction box
- 25 ft of hostile environment EL147HE SURVIVOR® load cell cable

## Standard Features

- Capacities (per module): 2,500 to 50,000 lb
- Low-profile design
- Self-centering in all directions, able to withstand excessive side loads
- Self-checking assembly

## Applications

- Tank, hopper or vessel weighing
- Belt or roller conveyors
- Scale platforms and screw feeders

## Specifications

### Full Scale Output:

4.0 mV/V  
2.0 mV/V (2,500 lb)

### Bridge Resistance:

350 ohm nominal

### Material/Finish:

High-alloy steel, painted

### Safe Overload:

150% full scale

### Rated Excitation:

5 to 10 VDC (20 V maximum)

### Nonlinearity:

0.05% full scale

### Hysteresis:

0.03% full scale

### Temperature:

Compensated range  
15 °F to 115 °F (-9 °C to 46 °C)

### Insulation Resistance:

5,000 megohm

### Seal Type:

Environmentally sealed

### Cable Length:

30 ft

### Cable Color Code:

Red +Excitation  
Black -Excitation  
White +Signal  
Green -Signal

### Warranty:

Two-year limited

## Order Information

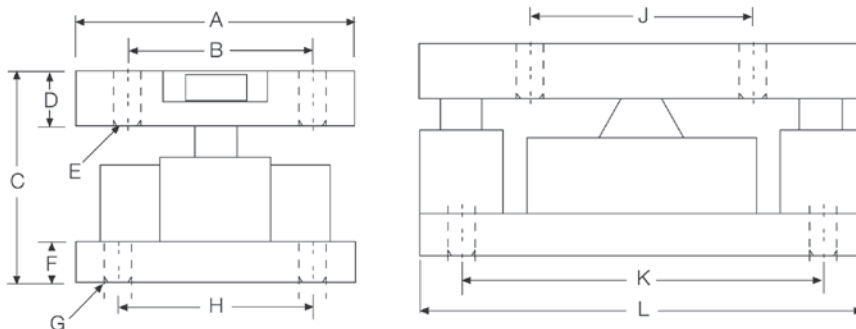
Load Rating (Per Module)	Part #	Price
<b>Single Module</b>		
2,500 lb	76656	\$1,965.00
5,000 lb	45849	\$1,965.00
10,000 lb	45848	\$1,965.00
25,000 lb	45847	\$2,650.00
50,000 lb	45846	\$2,650.00
<b>3-Module Kit</b>		
2,500 lb	76897	\$5,875.00
5,000 lb	42811	\$5,875.00
10,000 lb	42812	\$5,875.00
25,000 lb	42813	\$7,580.00
50,000 lb	42814	\$7,580.00
<b>4-Module Kit</b>		
2,500 lb	76898	\$7,770.00
5,000 lb	42815	\$7,770.00
10,000 lb	42816	\$7,770.00
25,000 lb	42817	\$8,995.00
50,000 lb	42818	\$8,995.00

## Replacement Load Cell Order Information

Load Rating (Per Module)	Part #	Price
2,500 lb	76654	\$1,325.00
5,000 lb	45708	\$1,325.00
10,000 lb	45709	\$1,325.00
25,000 lb	45710	\$1,669.00
50,000 lb	45711	\$1,669.00

## Dimensions

Rated Capacity	A	B	C	D	E	F	G	H	J	K	L
lb/in											
2,500 to 10,000	5.00	3.50	4.00	1.00	0.52	1.00	0.52	3.50	4.00	6.50	8.00
25,000 to 50,000	6.00	4.50	5.00	1.25	0.78	1.00	0.78	4.50	5.00	7.75	10.00



# RL2200SS Series

Stainless Steel, Tank, Hopper and Vessel Weighing Assembly

LOAD CELLS /  
WEIGH MODULES



Picture is a representation of actual product.

## Order Information

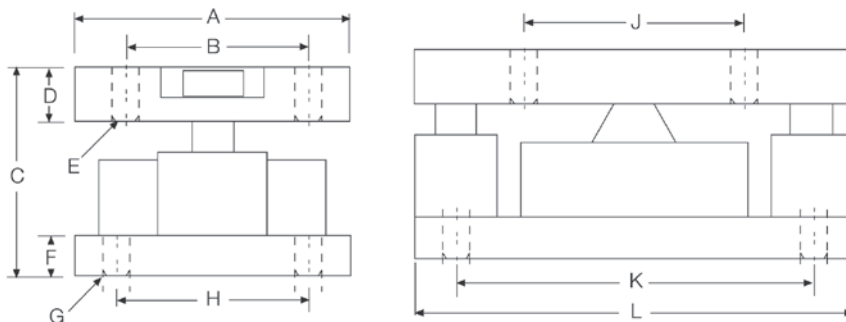
Load Rating (Per Module)	Part #	Price
<b>Single Module</b>		
2,500 lb	76657	\$2,765.00
5,000 lb	45845	\$2,765.00
10,000 lb	45844	\$2,765.00
25,000 lb	45843	\$4,680.00
50,000 lb	45842	\$4,680.00
<b>3-Module Kit</b>		
2,500 lb	76899	\$7,865.00
5,000 lb	46478	\$7,865.00
10,000 lb	46479	\$7,865.00
25,000 lb	46480	\$13,710.00
50,000 lb	46481	\$13,710.00
<b>4-Module Kit</b>		
2,500 lb	76900	\$10,400.00
5,000 lb	46482	\$10,400.00
10,000 lb	46483	\$10,400.00
25,000 lb	46484	\$17,890.00
50,000 lb	46485	\$17,890.00

## Replacement Load Cell Order Information

Load Rating (Per Module)	Part #	Price
2,500 lb	76655	\$1,563.00
5,000 lb	45712	\$1,563.00
10,000 lb	45713	\$1,563.00
25,000 lb	45714	\$2,565.00
50,000 lb	45715	\$2,565.00

## Dimensions

Rated Capacity	A	B	C	D	E	F	G	H	J	K	L
lb/in											
2,500 to 10,000	5.00	3.50	4.00	1.00	0.52	1.00	0.52	3.50	4.00	6.50	8.00
25,000 to 50,000	6.00	4.50	5.00	1.25	0.78	1.00	0.78	4.50	5.00	7.75	10.00



## Complete Kit Includes

- Three or four RL2200 stainless steel mounting assemblies with RL2200SS stainless steel, hermetically sealed, compression disk load cells
- One JB4SS NEMA Type 4X stainless steel signal trim junction box
- 25 ft of hostile environment EL147HE SURVIVOR® load cell cable

## Applications

- Tank, hopper or vessel weighing
- Belt or roller conveyors
- Scale platforms and screw feeders

## Specifications

### Full Scale Output:

4.0 mV/V  
2.0 mV/V (2,500 lb)

### Bridge Resistance:

350 ohm nominal

### Material/Finish:

Stainless steel

### Safe Overload:

150% full scale

### Rated Excitation:

5 to 10 VDC (20 V maximum)

### Nonlinearity:

0.05% full scale

### Hysteresis:

0.03% full scale

### Temperature:

Compensated range  
15 °F to 115 °F (9 °C to 46 °C)

### Insulation Resistance:

5,000 megohm

### Seal Type:

Hermetically sealed, IP66/68

### Cable Length:

30 ft

### Cable Color Code:

Red +Excitation  
Black -Excitation  
White +Signal  
Green -Signal

### Warranty:

Two-year limited





Picture is a representation of actual product.

### Load Cell Approvals



### Complete Kit Includes

- Three or four RLC stainless steel compression mounts with RLC NTEP Certified stainless steel hermetically sealed compression disk load cells
- One JB4SS NEMA Type 4X stainless steel signal trim junction box
- 25 ft of hostile environment EL147HE SURVIVOR® load cell cable

### Standard Features

- Capacities (per module): 0.5 to 5 t
- mV/V/ohm calibrated load cells eliminates the need for trimming
- Stainless steel construction
- Rocker pin design allows movement in all directions
- Easy load cell replacement
- Integral jacking/shipping bolts

### Applications

- Medium-capacity tanks, bins and hoppers
- Washdown applications
- Process control and batch weighing

### Order Information

Load Rating (Per Module)	Part #	Price
<b>Single Module (Includes Load Cell)</b>		
0.5t	36401	\$1,198.00
1t	36402	\$1,198.00
2t	36403	\$1,383.00
3.5t	36404	\$1,383.00
5t	36405	\$1,383.00
<b>3-Module Kit</b>		
0.5t	36406	\$3,885.00
1t	36407	\$3,885.00
2t	36408	\$4,065.00
3.5t	36409	\$4,065.00
5t	36410	\$4,065.00
<b>4-Module Kit</b>		
0.5t	36411	\$5,083.00
1t	36412	\$5,083.00
2t	36413	\$5,422.00
3.5t	36414	\$5,422.00
5t	36415	\$5,422.00

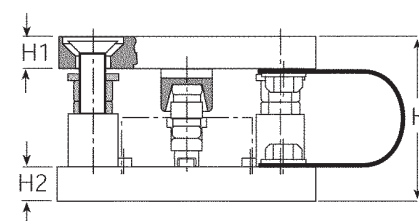
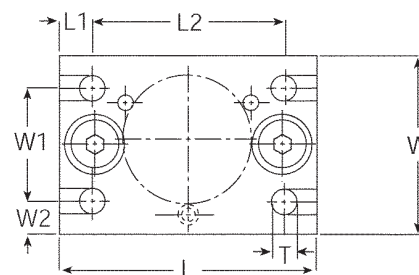
### Replacement Rocker Pin Set\*

Load Rating (Per Module)	Part #	Price
250 kg to 1 t	170875	\$132.00
2 t to 5 t	170876	\$132.00

\*Kit includes upper cup, rocker pin and grease

### Dimensions

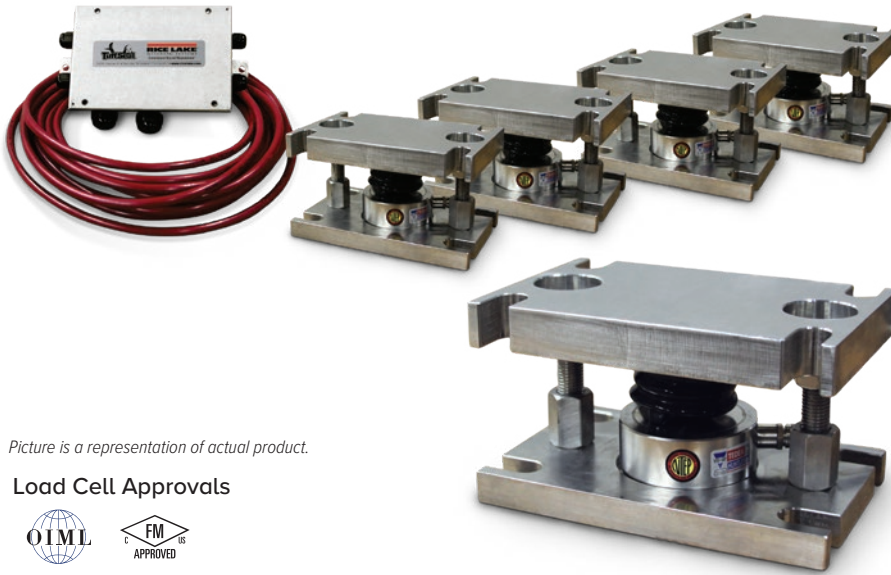
Rated Capacity	H	H1	H2	L	L1	L2	T	W	W1	W2
ton/mm										
0.5 to 1	80.0	20.0	15.0	150.0	15.0	120.0	14.0 (top plate)	100.0	70.0	15.0
2 to 5	100.0	20.0	20.0	160.0	20.0	120.0	13.8 (bottom plate)	110.0	70.0	20.0



# 220 Universal Mount

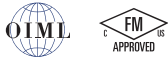
Stainless Steel Weigh Modules, VPG Tedeo-Huntleigh

LOAD CELLS /  
WEIGH MODULES



Picture is a representation of actual product.

## Load Cell Approvals



## Complete Kit Includes

- Three or four 220 stainless steel compression mounts with 220 stainless steel hermetically sealed compression disk load cells
- One JB4SS NEMA Type 4X stainless steel signal trim junction box
- 25 ft of hostile environment EL147HE SURVIVOR® load cell cable

## Standard Features

- Capacities (per module): 5,000 to 30,000 kg
- mV/V/ohm calibrated load cells eliminates the need for trimming
- Stainless steel construction
- Easy load cell replacement
- Integral jacking/shipping bolts

## Applications

- Medium- to high-capacity tanks, bins and hoppers
- Washdown applications
- Process control and batch weighing

## Order Information

Load Rating (Per Module)	Part #	Price
<b>3-Module Kit (Includes Load Cell)</b>		
5,000 kg	66208	\$6,355.00
10,000 kg	66209	\$6,355.00
20,000 kg	66210	\$7,200.00
30,000 kg	66211	\$7,200.00
<b>4-Module Kit (Includes Load Cell)</b>		
5,000 kg	66212	\$8,369.00
10,000 kg	66213	\$8,369.00
20,000 kg	66214	\$9,672.00
30,000 kg	66215	\$9,672.00

## Replacement Mount Parts

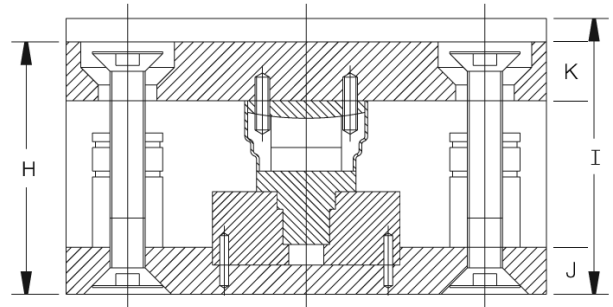
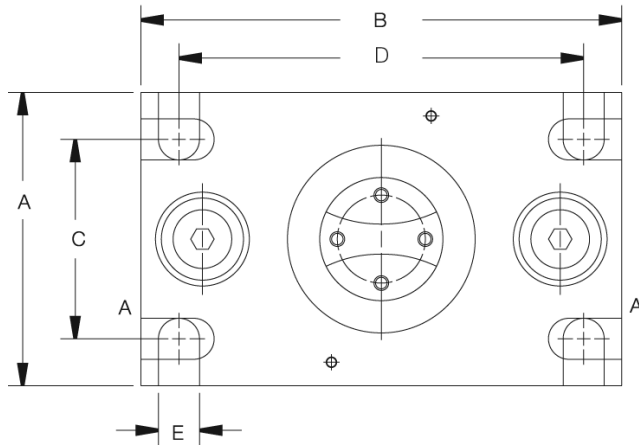
Load Rating (Per Module)	Part #	Price
Saddle 5 t to 10 t	170879	\$132.00
Rolling cylinder 5 t to 10 t	170882	\$111.00
Load adapter 5 t	170880	\$117.00
Load adapter 10 t	170881	\$165.00
Rubber boot 5 t to 10 t	171211	\$37.00
Saddle 20 t to 30 t	170884	\$127.00
Rolling cylinder 20 t to 30 t	170885	\$58.00
Load adapter 20 t to 30 t	170883	\$111.00
Rubber boot 20 t to 30 t	171212	\$32.00

# 220 Universal Mount

Stainless Steel Weigh Modules, VPG Tedea-Huntleigh

## Dimensions

Rated Capacity kg/mm	A	B	C	D	E	H	I	J	K
5,000 to 10,000	127.0	203.0	90.0	170.0	18.0	107.0	Load Cell Replacement Height: 118.0 Operating Height: 107.0	19.1	25.4
20,000 to 30,000	152.0	245.0	115.0	208.0	24.0	148.0	Load Cell Replacement Height: 156.0 Operating Height: 148.1	31.8	25.4



LOAD CELLS /  
WEIGH MODULES

# EZ Mount 1 with RL72020

Mild Steel Weigh Modules, Rice Lake Weighing Systems

LOAD CELLS /  
WEIGH MODULES



Picture is a representation of actual product.

## Load Cell Approvals



## Order Information

Load Rating (Per Module)	Part #	Price
<b>Single Module (Does NOT Include Load Cell)</b>		
5,000 lb to 20,000 lb	<b>17823</b>	\$360.00
30,000 lb to 60,000 lb	<b>17824</b>	\$975.00
100,000 lb	<b>17850</b>	\$1,340.00
150,000 lb	<b>29012</b>	\$1,340.00
200,000 lb to 250,000 lb	<b>26068</b>	\$3,060.00
<b>3-Module Kit</b>		
5,000 lb	<b>208881</b>	\$3,310.00
10,000 lb	<b>208882</b>	\$3,310.00
20,000 lb	<b>208883</b>	\$3,310.00
30,000 lb	<b>208884</b>	\$5,350.00
40,000 lb	<b>208885</b>	\$5,350.00
50,000 lb	<b>208886</b>	\$5,350.00
60,000 lb	<b>208887</b>	\$5,350.00
100,000 lb	<b>208888</b>	\$8,620.00
150,000 lb	<b>208889</b>	\$8,620.00
<b>4-Module Kit</b>		
5,000 lb	<b>208892</b>	\$4,300.00
10,000 lb	<b>208893</b>	\$4,300.00
20,000 lb	<b>208894</b>	\$4,300.00
30,000 lb	<b>208895</b>	\$6,765.00
40,000 lb	<b>208896</b>	\$6,765.00
50,000 lb	<b>208897</b>	\$6,765.00
60,000 lb	<b>208898</b>	\$6,765.00
100,000 lb	<b>208899</b>	\$11,205.00
150,000 lb	<b>208900</b>	\$11,205.00

## VPG Revere 5103

## Order Information

Load Rating (Per Module)	Part #	Price
<b>3-Module Kit</b>		
5,000 lb	<b>18175</b>	\$3,420.00
10,000 lb	<b>18176</b>	\$3,420.00
20,000 lb	<b>18177</b>	\$3,420.00
30,000 lb	<b>32169</b>	\$5,465.00
40,000 lb	<b>32171</b>	\$5,465.00
50,000 lb	<b>18178</b>	\$5,625.00
60,000 lb	<b>18179</b>	\$5,625.00
100,000 lb	<b>18180</b>	\$8,735.00
150,000 lb	<b>18181</b>	\$8,735.00
<b>4-Module Kit</b>		
5,000 lb	<b>18182</b>	\$4,410.00
10,000 lb	<b>18183</b>	\$4,410.00
20,000 lb	<b>18184</b>	\$4,410.00
30,000 lb	<b>32170</b>	\$6,920.00
40,000 lb	<b>32172</b>	\$6,920.00
50,000 lb	<b>18185</b>	\$6,920.00
60,000 lb	<b>18186</b>	\$6,920.00
100,000 lb	<b>18187</b>	\$11,380.00
150,000 lb	<b>18188</b>	\$11,380.00
<b>Dummy Load Cells</b>		
5,000 lb to 20,000 lb	<b>33749</b>	\$90.00
30,000 lb to 60,000 lb	<b>74016</b>	\$122.00
100,000 lb	<b>94175</b>	\$265.00
150,000 lb	<b>158715</b>	\$265.00
<b>Grounding Kit</b>		
5,000 lb to 60,000 lb	<b>126419</b>	\$21.00

## Complete Kit Includes

- Three or four EZ Mount 1 mild steel compression mounts with RL72020 NTEP Certified double-ended shear beam load cells
- One JB4SS NEMA Type 4X stainless steel signal trim junction box
- 25 ft of hostile environment EL147HE SURVIVOR® load cell cable

## Standard Features

- Capacities (per module): 5,000 to 250,000 lb
- Unique sliding pin design compensates for thermal expansion/contraction
- Coated mild steel construction
- Self-checking
- Easy load cell replacement
- Simplified design allows bolting directly to tank and floor
- Center-loaded double-ended shear beam design
- Low-profile design
- Compatible with VPG® Revere 5103 load cell

## Applications

- Medium- to heavy-capacity tank and hopper weighing applications

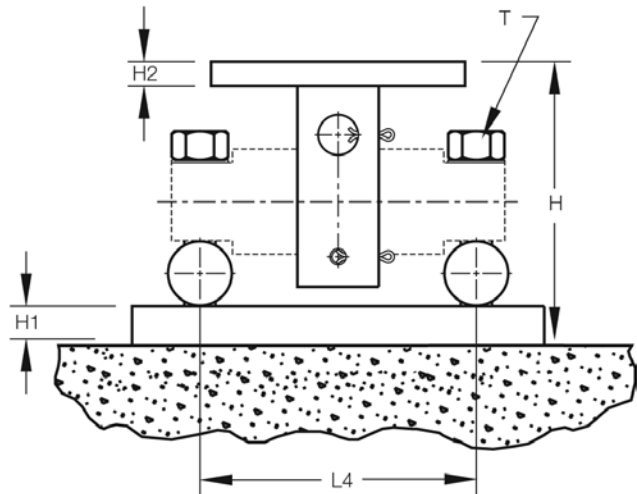
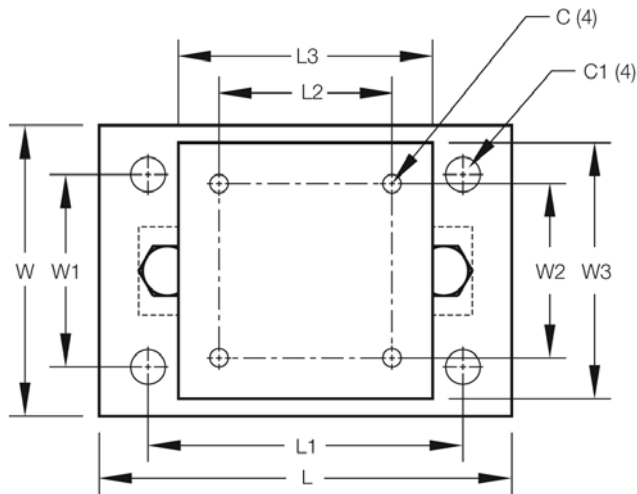
# EZ Mount 1 with RL72020

Mild Steel Weigh Modules, Rice Lake Weighing Systems

LOAD CELLS /  
WEIGH MODULES

## Dimensions

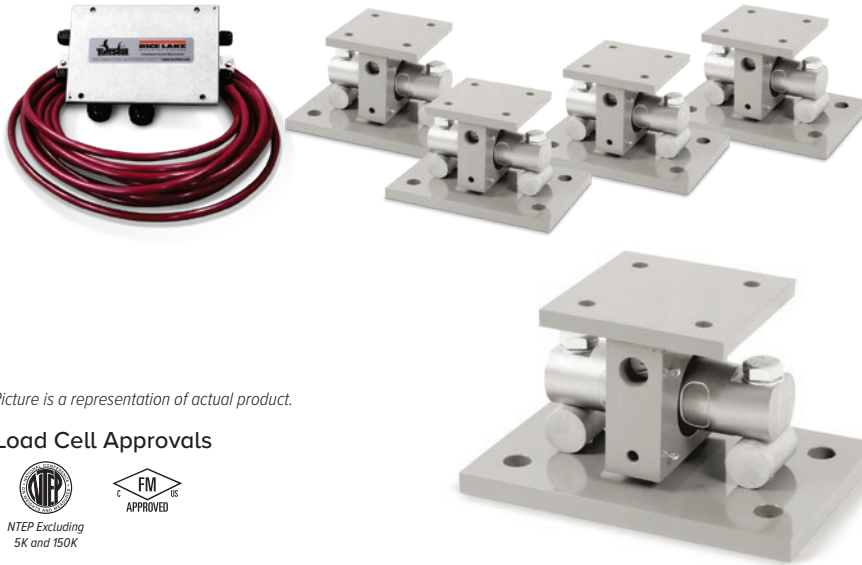
Rated Capacity	C	C1	H	H1	H2	L	L1	L2	L3	L4	T	W	W1	W2	W3
5,000 to 20,000	0.56	1.06	5.31	0.75	0.50	11.00	8.00	3.00	6.00	6.87	5/8-18 UNF	7.50	4.00	3.00	6.00
30,000 to 60,000	0.68	1.19	8.43	1.00	0.75	15.00	11.50	5.12	8.00	8.50	1-14 UNS	10.00	6.00	5.12	8.00
100,000 to 150,000	0.81	1.38	10.37	1.25	1.25	18.00	14.00	7.50	10.00	9.50	1-14 UNS	12.00	9.00	7.50	10.00
200,000 to 250,000	1.06	1.88	16.75	2.00	2.00	26.00	20.00	9.00	12.00	13.00	1 1/2-12 UNS	12.00	6.00	9.00	12.00



# EZ Mount 1 SS with RL72020SS

Stainless Steel Weigh Modules, Rice Lake Weighing Systems

LOAD CELLS /  
WEIGH MODULES



Picture is a representation of actual product.

## Load Cell Approvals



NTEP Excluding  
5K and 150K

## Order Information

Load Rating (Per Module)	Part #	Price
<b>Single Module (Does NOT Include Load Cell)</b>		
5,000 lb to 20,000 lb	<b>17943</b>	\$885.00
30,000 lb to 60,000 lb	<b>17944</b>	\$2,450.00
100,000 lb	<b>17945</b>	\$4,480.00
150,000 lb	<b>29011</b>	\$4,480.00
<b>3-Module Kit</b>		
5,000 lb*	<b>208914</b>	\$5,290.00
10,000 lb	<b>208917</b>	\$5,290.00
20,000 lb	<b>208918</b>	\$5,290.00
30,000 lb	<b>208919</b>	\$10,640.00
40,000 lb	<b>208920</b>	\$10,640.00
50,000 lb	<b>208921</b>	\$10,640.00
60,000 lb	<b>208922</b>	\$10,640.00
100,000 lb	<b>208923</b>	\$19,570.00
150,000 lb*	<b>208924</b>	\$19,570.00

\* Non-NTEP Certified

Load Rating (Per Module)	Part #	Price
<b>4-Module Kit</b>		
5,000 lb*	<b>208925</b>	\$6,865.00
10,000 lb	<b>208926</b>	\$6,865.00
20,000 lb	<b>208927</b>	\$6,865.00
30,000 lb	<b>208928</b>	\$14,010.00
40,000 lb	<b>208929</b>	\$14,010.00
50,000 lb	<b>208930</b>	\$14,010.00
60,000 lb	<b>208931</b>	\$14,010.00
100,000 lb	<b>208932</b>	\$26,030.00
150,000 lb*	<b>208933</b>	\$26,030.00
<b>Dummy Load Cells (Mild Steel)</b>		
5,000 lb to 20,000 lb	<b>33749</b>	\$90.00
30,000 lb to 60,000 lb	<b>74016</b>	\$122.00
100,000 lb	<b>94175</b>	\$265.00
150,000 lb	<b>158715</b>	\$265.00
<b>Grounding Kit</b>		
5,000 lb-60,000 lb	<b>126419</b>	\$21.00

Includes ground strap and mounting hardware per mount

## Complete Kit Includes

- Three or four EZ Mount 1 stainless steel compression mounts with RL72020SS stainless steel double-ended shear beam load cells
- One JB4SS NEMA Type 4X stainless steel signal trim junction box
- 25 ft of our hostile environment EL147HE SURVIVOR® load cell cable

## Standard Features

- Capacities (per module): 5,000 to 150,000 lb
- NTEP Certified load cells (except for 5 k and 150 k)
- Stainless steel construction
- Unique sliding pin design compensates for thermal expansion/contraction
- Self-checking
- Easy load cell replacement
- Simplified design allows bolting directly to tank and floor
- Center-loaded double-ended shear beam design
- Low-profile design
- Compatible with VPG® Revere 9103 load cell

## Applications

- Medium- to heavy-capacity tank and hopper weighing applications

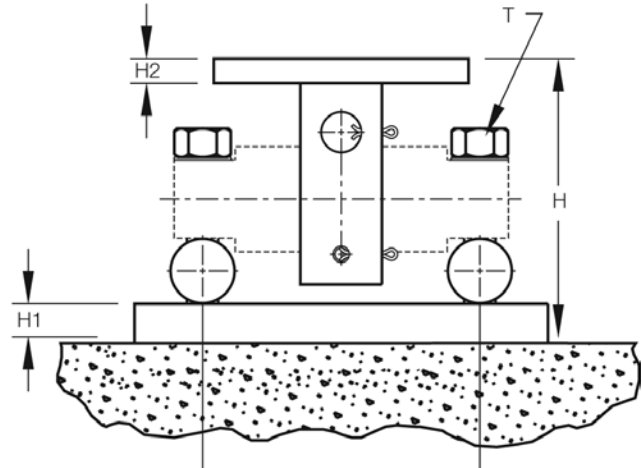
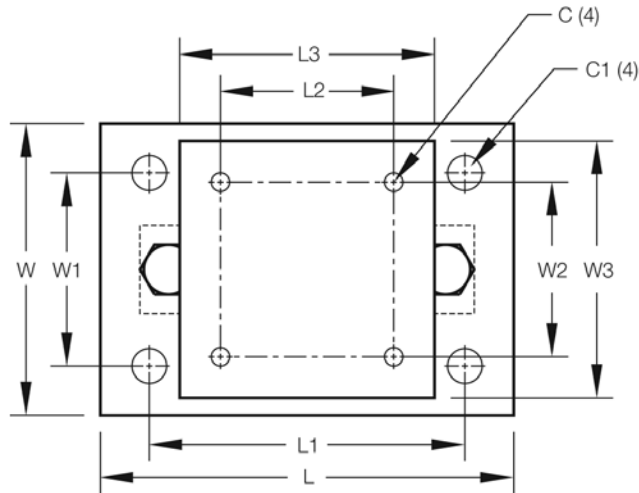


# EZ Mount 1 SS with RL72020SS

Stainless Steel Weigh Modules, Rice Lake Weighing Systems

## Dimensions

Rated Capacity	C	C1	H	H1	H2	L	L1	L2	L3	L4	T	W	W1	W2	W3
5,000 to 20,000	0.56	1.06	5.31	0.75	0.50	11.00	8.00	3.00	6.00	6.87	5/8-18 UNF	7.50	4.00	3.00	6.00
30,000 to 60,000	0.68	1.19	8.43	1.00	0.75	15.00	11.50	5.12	8.00	8.50	1-14 UNS	10.00	6.00	5.12	8.00
100,000 to 150,000	0.81	1.38	10.37	1.25	1.25	18.00	14.00	7.50	10.00	9.50	1-14 UNS	12.00	9.00	7.50	10.00



LOAD CELLS /  
WEIGH MODULES

# EZ Mount 1 with Coated RL72020P

Stainless Steel Weigh Modules, Rice Lake Weighing Systems

LOAD CELLS /  
WEIGH MODULES



Picture is a representation of actual product.

## Load Cell Approvals



## Order Information

Load Rating (Per Module)	Part #	Price
<b>Single Module (Does NOT Include Load Cell)</b>		
5,000 lb to 20,000 lb	<b>17943</b>	\$885.00
30,000 lb to 60,000 lb	<b>17944</b>	\$2,450.00
100,000 lb	<b>17945</b>	\$4,480.00
150,000 lb	<b>29011</b>	\$4,480.00
<b>3-Module Kit</b>		
5,000 lb	<b>208957</b>	\$4,775.00
10,000 lb	<b>208959</b>	\$4,775.00
20,000 lb	<b>208961</b>	\$4,775.00
30,000 lb	<b>208963</b>	\$9,895.00
40,000 lb	<b>208965</b>	\$9,895.00
50,000 lb	<b>208967</b>	\$9,895.00
60,000 lb	<b>208969</b>	\$9,895.00
100,000 lb	<b>208971</b>	\$18,515.00
150,000 lb	<b>208973</b>	\$18,515.00

Load Rating (Per Module)	Part #	Price
<b>4-Module Kit</b>		
5,000 lb	<b>208958</b>	\$6,380.00
10,000 lb	<b>208960</b>	\$6,380.00
20,000 lb	<b>208962</b>	\$6,380.00
30,000 lb	<b>208964</b>	\$13,195.00
40,000 lb	<b>208966</b>	\$13,195.00
50,000 lb	<b>208968</b>	\$13,195.00
60,000 lb	<b>208970</b>	\$13,195.00
100,000 lb	<b>208972</b>	\$24,650.00
150,000 lb	<b>208974</b>	\$24,650.00
<b>Dummy Load Cells (Mild Steel)</b>		
5,000 lb to 20,000 lb	<b>33749</b>	\$90.00
30,000 lb to 60,000 lb	<b>74016</b>	\$122.00
100,000 lb	<b>94175</b>	\$265.00
150,000 lb	<b>158715</b>	\$265.00
<b>Grounding Kit</b>		
5,000 lb-60,000 lb	<b>126419</b>	\$21.00

Includes ground strap and mounting hardware per mount

## Complete Kit Includes

- Three or four EZ Mount 1 stainless steel compression mounts with RL72020P NTEP Certified alloy coated double-ended shear beam load cells
- One JB4SS NEMA Type 4X stainless steel signal trim junction box
- 25 ft of hostile environment EL147HE SURVIVOR load cell cable

## Standard Features

- Capacities (per module): 5,000 to 150,000 lb
- Unique sliding pin design compensates for thermal expansion/contraction
- Stainless steel construction (mount)
- Self-checking
- Easy load cell replacement
- Simplified design allows bolting directly to tank and floor
- Center-loaded double-ended shear beam design
- Low-profile design

## Applications

- Medium- to heavy-capacity tank and fertilizer hopper weighing applications

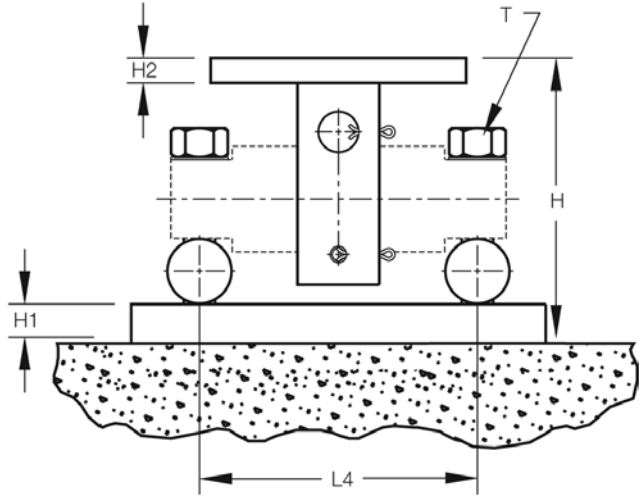
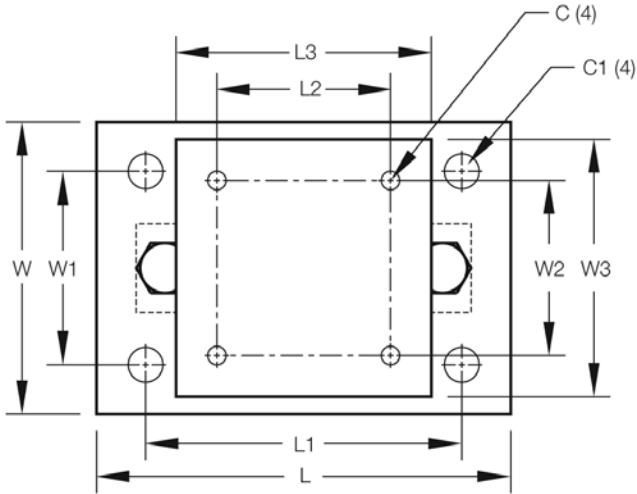
# EZ Mount 1 with Coated RL72020P

Stainless Steel Weigh Modules, Rice Lake Weighing Systems

LOAD CELLS / WEIGH MODULES

## Dimensions

Rated Capacity	C	C1	H	H1	H2	L	L1	L2	L3	L4	T	W	W1	W2	W3
5,000 to 20,000	0.56	1.06	5.31	0.75	0.50	11.00	8.00	3.00	6.00	6.87	5/8-18 UNF	7.50	4.00	3.00	6.00
30,000 to 60,000	0.68	1.19	8.43	1.00	0.75	15.00	11.50	5.12	8.00	8.50	1-14 UNS	10.00	6.00	5.12	8.00
100,000 to 150,000	0.81	1.38	10.37	1.25	1.25	18.00	14.00	7.50	10.00	9.50	1-14 UNS	12.00	9.00	7.50	10.00

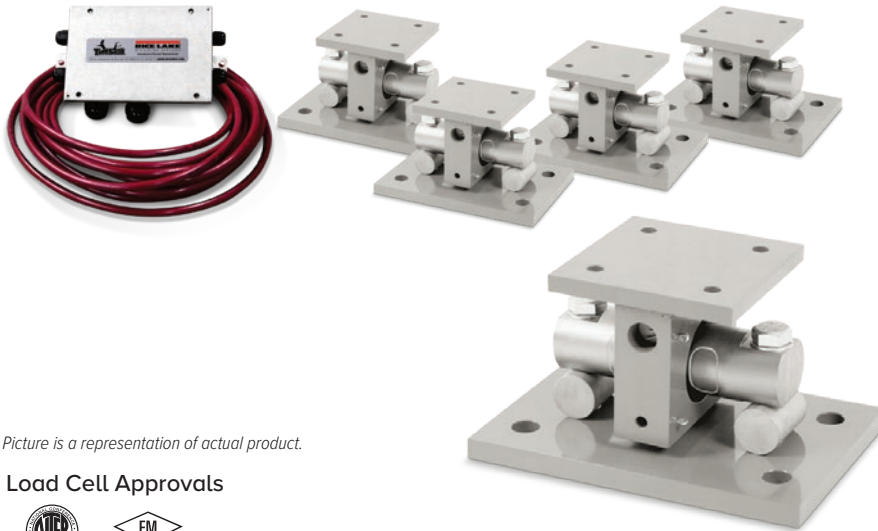


# EZ Mount 1 with RL70000

Mild Steel Weigh Modules, Rice Lake Weighing Systems

Limited Stock Available

LOAD CELLS /  
WEIGH MODULES



Picture is a representation of actual product.

## Load Cell Approvals



## Order Information

Load Rating (Per Module)	Part #	Price
<b>Single Module (Does NOT Include Load Cell)</b>		
5,000 lb to 20,000 lb	<b>17823</b>	\$360.00
30,000 lb to 60,000 lb	<b>17824</b>	\$975.00
100,000 lb	<b>17850</b>	\$1,340.00
150,000 lb	<b>29012</b>	\$1,340.00
200,000 lb-250,000 lb	<b>26068</b>	\$3,060.00
<b>3-Module Kit</b>		
10,000 lb	<b>18164</b>	\$3,310.00
30,000 lb	<b>32164</b>	\$5,350.00
40,000 lb	<b>32167</b>	\$5,350.00
50,000 lb	<b>18166</b>	\$5,350.00
60,000 lb	<b>18167</b>	\$5,350.00
100,000 lb	<b>18168</b>	\$8,620.00
150,000 lb	<b>43290</b>	\$8,620.00
<b>4-Module Kit</b>		
10,000 lb	<b>18170</b>	\$4,300.00
30,000 lb	<b>32165</b>	\$6,765.00
40,000 lb	<b>32166</b>	\$6,765.00
50,000 lb	<b>18172</b>	\$6,765.00
60,000 lb	<b>18173</b>	\$6,765.00
100,000 lb	<b>18174</b>	\$11,245.00
150,000 lb	<b>43291</b>	\$11,245.00

## VPG Revere 5103 Order Information

Load Rating (Per Module)	Part #	Price
<b>3-Module Kit</b>		
5,000 lb	<b>18175</b>	\$3,420.00
10,000 lb	<b>18176</b>	\$3,420.00
20,000 lb	<b>18177</b>	\$3,420.00
30,000 lb	<b>32169</b>	\$5,465.00
40,000 lb	<b>32171</b>	\$5,465.00
50,000 lb	<b>18178</b>	\$5,625.00
60,000 lb	<b>18179</b>	\$5,625.00
100,000 lb	<b>18180</b>	\$8,735.00
150,000 lb	<b>18181</b>	\$8,735.00
<b>4-Module Kit</b>		
5,000 lb	<b>18182</b>	\$4,410.00
10,000 lb	<b>18183</b>	\$4,410.00
20,000 lb	<b>18184</b>	\$4,410.00
30,000 lb	<b>32170</b>	\$6,920.00
40,000 lb	<b>32172</b>	\$6,920.00
50,000 lb	<b>18185</b>	\$6,920.00
60,000 lb	<b>18186</b>	\$6,920.00
100,000 lb	<b>18187</b>	\$11,380.00
150,000 lb	<b>18188</b>	\$11,380.00
<b>Dummy Load Cells</b>		
5,000 lb to 20,000 lb	<b>33749</b>	\$90.00
30,000 lb to 60,000 lb	<b>74016</b>	\$122.00
100,000 lb	<b>94175</b>	\$265.00
150,000 lb	<b>158715</b>	\$265.00
<b>Grounding Kit</b>		
5,000 lb to 60,000 lb	<b>126419</b>	\$21.00

Includes ground strap and mounting hardware per mount

## Complete Kit Includes

- One JB4SS NEMA Type 4X stainless steel signal trim junction box
- Three or four EZ Mount 1 mild steel compression mounts
- Three or four RL70000 double-ended shear beam load cells
- 25 ft of hostile environment EL147HE SURVIVOR® load cell cable

## Standard Features

- Capacities (per module): 5,000 to 250,000 lb
- NTEP Certified load cells
- Unique sliding pin design compensates for thermal expansion/contraction
- Self-checking
- Easy load cell replacement
- Simplified design allows bolting directly to tank and floor
- Center-loaded double-ended shear beam design
- Low-profile design
- Painted mild steel construction

## Optional Features

- Kits available with VPG® Revere 5103 load cell, capacities in 5,000 to 150,000 lb

## Applications

- Medium- to heavy-capacity tank and hopper weighing applications

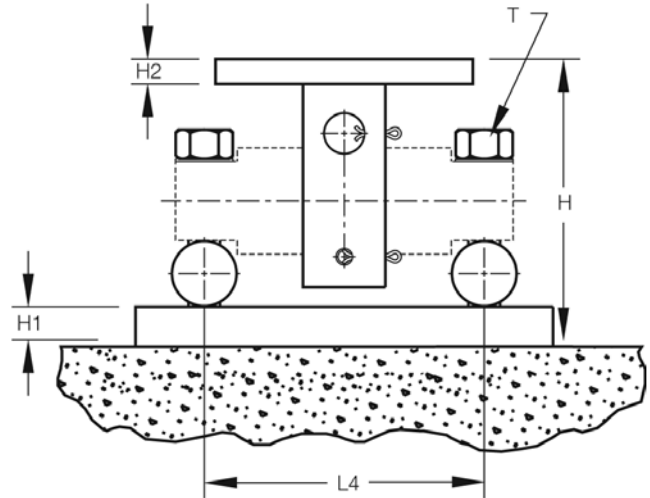
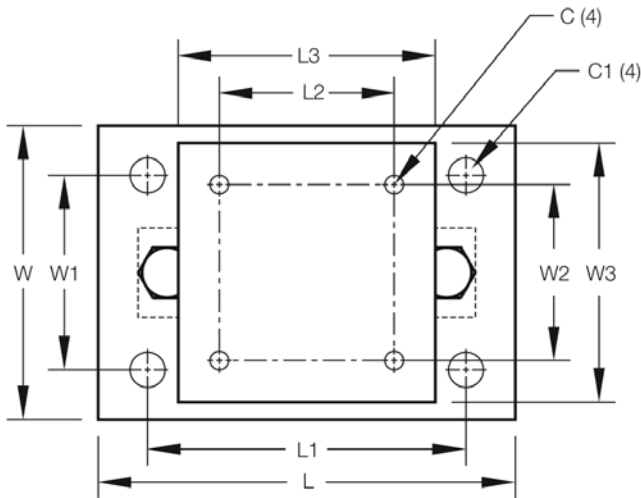
# EZ Mount 1 with RL70000

Mild Steel Weigh Modules, Rice Lake Weighing Systems

LOAD CELLS /  
WEIGH MODULES

## Dimensions

Rated Capacity lb/in	C	C1	H	H1	H2	L	L1	L2	L3	L4	T	W	W1	W2	W3
5,000 to 20,000	0.56	1.06	5.31	0.75	0.50	11.00	8.00	3.00	6.00	6.87	5/8-18 UNF	7.50	4.00	3.00	6.00
30,000 to 60,000	0.68	1.19	8.43	1.00	0.75	15.00	11.50	5.12	8.00	8.50	1-14 UNS	10.00	6.00	5.12	8.00
100,000 to 150,000	0.81	1.38	10.37	1.25	1.25	18.00	14.00	7.50	10.00	9.50	1-14 UNS	12.00	9.00	7.50	10.00
200,000 to 250,000	1.06	1.88	16.75	2.00	2.00	26.00	20.00	9.00	12.00	13.00	1 1/2-12 UNS	12.00	6.00	9.00	12.00

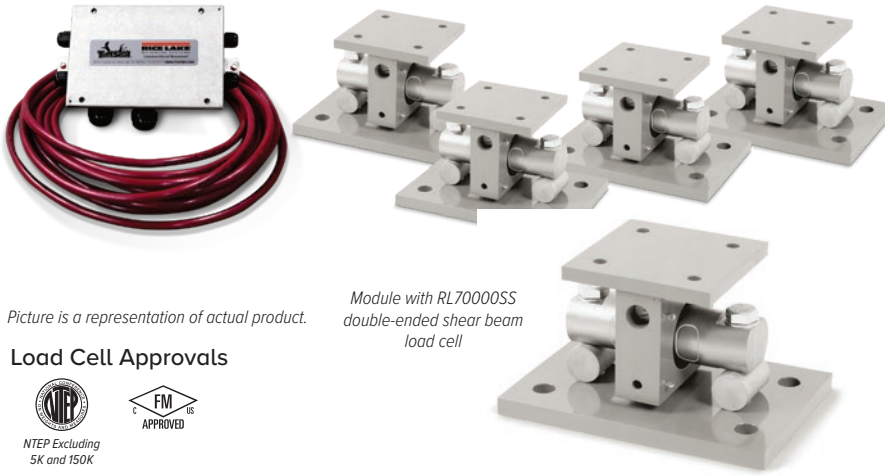


# EZ Mount 1 with RL70000SS

Stainless Steel Weigh Modules, Rice Lake Weighing Systems

Limited Stock Available

LOAD CELLS /  
WEIGH MODULES



Picture is a representation of actual product.

Module with RL70000SS double-ended shear beam load cell

## Load Cell Approvals



NTEP Excluding 5K and 150K



## Order Information

Load Rating (Per Module)	Part #	Price
<b>Single Module (Does NOT Include Load Cell)</b>		
5,000 lb to 20,000 lb	17943	\$885.00
30,000 lb to 60,000 lb	17944	\$2,450.00
100,000 lb	17945	\$4,480.00
150,000 lb	29011	\$4,480.00
<b>3-Module Kit</b>		
5,000 lb*	36195	\$5,065.00
40,000 lb	36199	\$9,940.00
<b>4-Module Kit</b>		
5,000 lb*	36203	\$6,785.00
10,000 lb	36204	\$6,625.00
20,000 lb	36205	\$6,625.00
30,000 lb	36206	\$13,010.00
40,000 lb	36207	\$13,490.00
50,000 lb	36208	\$13,317.00
60,000 lb	36209	\$13,490.00
100,000 lb	36210	\$26,030.00
150,000 lb*	43289	\$26,030.00

\* Non-NTEP Certified

Load Rating (Per Module)	Part #	Price
<b>Dummy Load Cells (Mild Steel)</b>		
5,000 lb to 20,000 lb	33749	\$90.00
30,000 lb to 60,000 lb	74016	\$122.00
100,000 lb	94175	\$265.00
150,000 lb	158715	\$265.00
<b>Grounding Kit</b>		
5,000 lb to 60,000 lb	126419	\$21.00

Includes ground strap and mounting hardware per mount

## Dimensions

Rated Capacity	C	C1	H	H1	H2	L	L1	L2	L3	L4	T	W	W1	W2	W3
5,000 to 20,000 lb/in	0.56	1.06	5.31	0.75	0.50	11.00	8.00	3.00	6.00	6.87	5/8-18 UNF	7.50	4.00	3.00	6.00
30,000 to 60,000	0.68	1.19	8.43	1.00	0.75	15.00	11.50	5.12	8.00	8.50	1-14 UNS	10.00	6.00	5.12	8.00
100,000 to 150,000	0.81	1.38	10.37	1.25	1.25	18.00	14.00	7.50	10.00	9.50	1-14 UNS	12.00	9.00	7.50	10.00

## Complete Kit Includes

- Three or four EZ Mount 1 stainless steel compression mounts with RL70000SS stainless steel double-ended shear beam load cells
- One JB4SS NEMA Type 4X stainless steel signal trim junction box
- 25 ft of hostile environment EL147HE SURVIVOR® load cell cable

## Standard Features

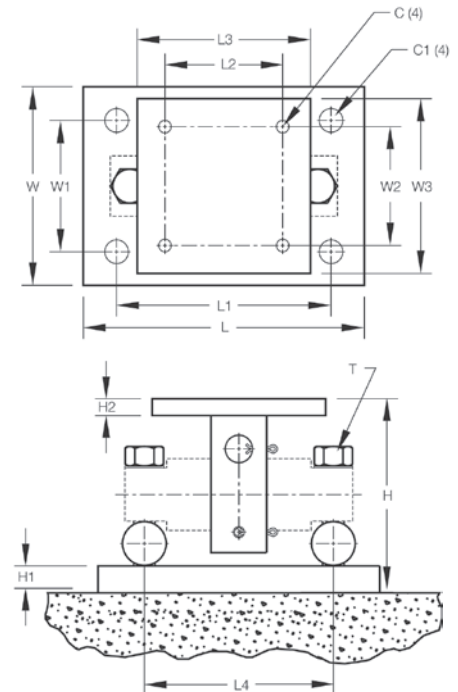
- Capacities (per module): 5,000 to 150,000 lb
- NTEP Certified load cells (10 to 100 K)
- 304 stainless steel construction
- Unique sliding pin design compensates for thermal expansion/contraction
- Self-checking
- Easy load cell replacement
- Simplified design allows bolting directly to tank and floor
- Center-loaded double-ended shear beam design
- Low-profile design
- Compatible with VPG® Reverse 9103 load cell

## Optional Features

- Kits available with VPG Reverse 9103 load cell, capacities in 5,000 to 150,000 lb

## Applications

- Medium- to heavy-capacity tank and hopper weighing applications





**Limited Stock Available**

# EZ Mount 1 with Coated RL70000

Rice Lake Weighing Systems



Available in configurations with three or four mounting assemblies. Picture is a representation of actual product.

### Load Cell Approvals



### Order Information

Load Rating (Per Module)	Part #	Price
<b>Single Module (Does NOT Include Load Cell)</b>		
5,000 lb to 20,000 lb	<b>17943</b>	\$885.00
30,000 lb to 60,000 lb	<b>17944</b>	\$2,450.00
100,000 lb	<b>17945</b>	\$4,480.00
150,000 lb	<b>29011</b>	\$4,480.00
<b>3-Module Kit</b>		
5,000 lb*	<b>207819</b>	\$4,775.00
20,000 lb	<b>207821</b>	\$4,775.00
30,000 lb	<b>207822</b>	\$9,895.00
50,000 lb	<b>207824</b>	\$9,895.00
<b>4-Module Kit</b>		
5,000 lb*	<b>207829</b>	\$6,385.00
10,000 lb	<b>207830</b>	\$6,385.00
20,000 lb	<b>207831</b>	\$6,385.00
30,000 lb	<b>207832</b>	\$13,195.00
40,000 lb	<b>207833</b>	\$13,195.00
50,000 lb	<b>207834</b>	\$13,195.00
60,000 lb	<b>207835</b>	\$13,195.00
100,000 lb	<b>207836</b>	\$24,650.00
150,000 lb*	<b>207837</b>	\$24,650.00

\* Non-NTEP Certified

### Dimensions

Rated Capacity	C	C1	H	H1	H2	L	L1	L2	L3	L4	T	W	W1	W2	W3
5,000 to 20,000	0.56	1.06	5.31	0.75	0.50	11.00	8.00	3.00	6.00	6.87	5/8-18 UNF	7.50	4.00	3.00	6.00
30,000 to 60,000	0.68	1.19	8.43	1.00	0.75	15.00	11.50	5.12	8.00	8.50	1-14 UNS	10.00	6.00	5.12	8.00
100,000 to 150,000	0.81	1.38	10.37	1.25	1.25	18.00	14.00	7.50	10.00	9.50	1-14 UNS	12.00	9.00	7.50	10.00

### Complete Kit Includes

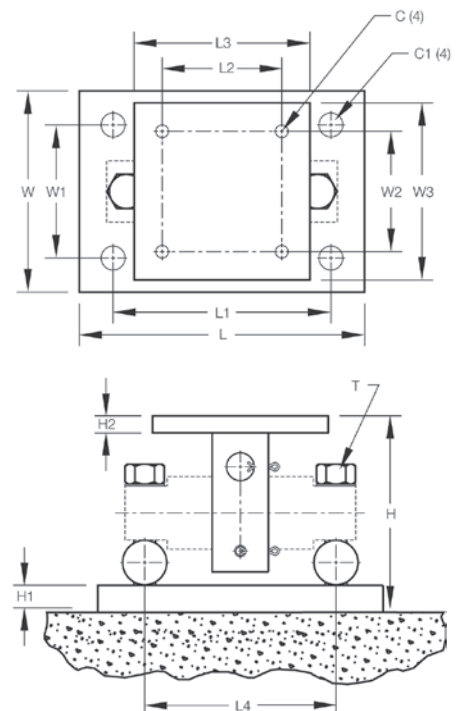
- Three or four EZ Mount 1 stainless steel compression mounts with RL70000 alloy painted double-ended shear beam load cells
- One JB4SS NEMA Type 4X stainless steel signal trim junction box
- 25 ft of our hostile environment EL147HE SURVIVOR® load cell cable

### Standard Features

- Capacities (per module): 5,000 to 150,000 lb
- NTEP Certified load cells (5 to 100 k)
- Stainless steel construction (mount)
- Unique sliding pin design compensates for thermal expansion/contraction
- Self-checking
- Easy load cell replacement
- Simplified design allows bolting directly to tank and floor
- Center-loaded double-ended shear beam design
- Low-profile design

### Applications

- Medium- to heavy-capacity tank and fertilizer hopper weighing applications

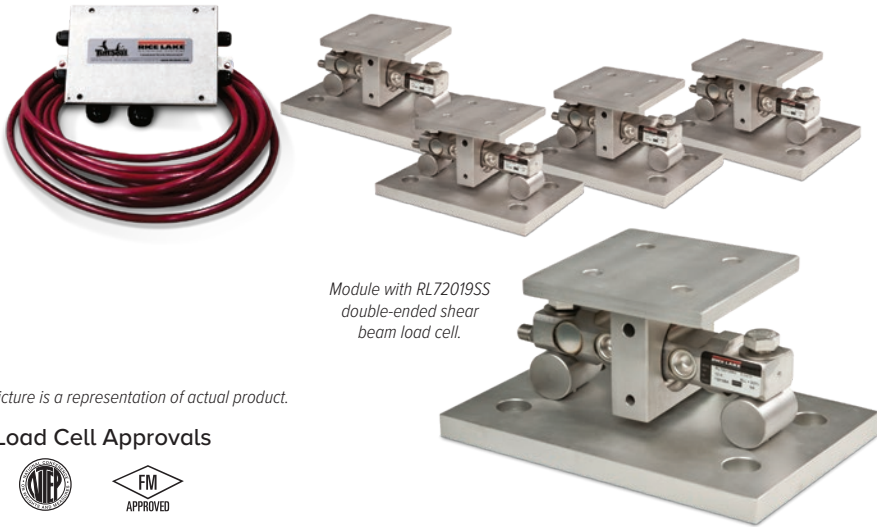


**LOAD CELLS / WEIGH MODULES**

# EZ Mount 1 HE

Stainless Steel Weigh Modules, Rice Lake Weighing Systems

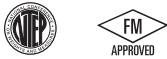
LOAD CELLS / WEIGH MODULES



Module with RL72019SS double-ended shear beam load cell.

Picture is a representation of actual product.

## Load Cell Approvals



## Order Information

Load Rating (Per Module)	Part #	Price
<b>3-Module Kit</b>		
5,000 lb*	<b>46695</b>	\$6,235.00
10,000 lb	<b>46696</b>	\$6,235.00
20,000 lb	<b>46697</b>	\$6,235.00
30,000 lb	<b>46698</b>	\$12,375.00
40,000 lb	<b>46699</b>	\$12,375.00
50,000 lb	<b>46700</b>	\$12,375.00
60,000 lb	<b>46701</b>	\$12,375.00
<b>4-Module Kit</b>		
5,000 lb*	<b>46702</b>	\$8,390.00
10,000 lb	<b>46703</b>	\$8,390.00
20,000 lb	<b>46704</b>	\$8,390.00
30,000 lb	<b>46705</b>	\$16,175.00
40,000 lb	<b>46706</b>	\$16,175.00
50,000 lb	<b>46707</b>	\$16,175.00
60,000 lb	<b>46708</b>	\$16,175.00
<b>Dummy Load Cells (Mild Steel)</b>		
5,000 lb to 20,000 lb	<b>33749</b>	\$90.00
30,000 lb to 60,000 lb	<b>74016</b>	\$122.00
<b>Grounding Kit</b>		
5,000 lb to 60,000 lb	<b>126419</b>	\$21.00

Includes ground strap and mounting hardware  
\*Non-NTEP

## Shims

	Part #	Price
<b>5,000 lb to 20,000 lb, Stainless Steel</b>		
0.0625 in	<b>150886</b>	\$12.00
0.125 in	<b>150888</b>	\$18.00
0.250 in	<b>150889</b>	\$29.00
<b>30,000 lb to 60,000 lb, Stainless Steel</b>		
0.0625 in	<b>150890</b>	\$19.00
0.125 in	<b>150891</b>	\$30.00
0.250 in	<b>150892</b>	\$64.00
<b>100,000 lb to 150,000 lb, Stainless Steel</b>		
0.0625 in	<b>150893</b>	\$32.00
0.125 in	<b>150894</b>	\$41.00
0.250 in	<b>150896</b>	\$97.00
<b>5,000 lb to 20,000 lb, Mild Steel</b>		
0.0625 in	<b>150874</b>	\$5.00
0.125 in	<b>150876</b>	\$6.00
0.250 in	<b>150877</b>	\$8.00
<b>30,000 lb to 60,000 lb, Mild Steel</b>		
0.0625 in	<b>150878</b>	\$6.00
0.125 in	<b>150880</b>	\$9.00
0.250 in	<b>150881</b>	\$11.00
<b>100,000 lb to 150,000 lb, Mild Steel</b>		
0.0625 in	<b>150882</b>	\$9.00
0.125 in	<b>150884</b>	\$13.00
0.250 in	<b>150885</b>	\$18.00

## Dimensions

Rated Capacity	C	C1	H	H1	H2	L	L1	L2	L3	L4	T	W	W1	W2	W3
5,000 to 20,000 lb/in	0.56	1.06	5.31	0.75	0.50	11.00	8.00	3.00	6.00	6.87	5/8-18 UNF	7.50	4.00	3.00	6.00
30,000 to 60,000 lb/in	0.68	1.19	8.43	1.00	0.75	15.00	11.50	5.12	8.00	8.50	1-14 UNS	10.00	6.00	5.12	8.00

NOTES: Mounting bolts (T) may project on lower side of base plate. Foundation plate not included

## Complete Kit Includes

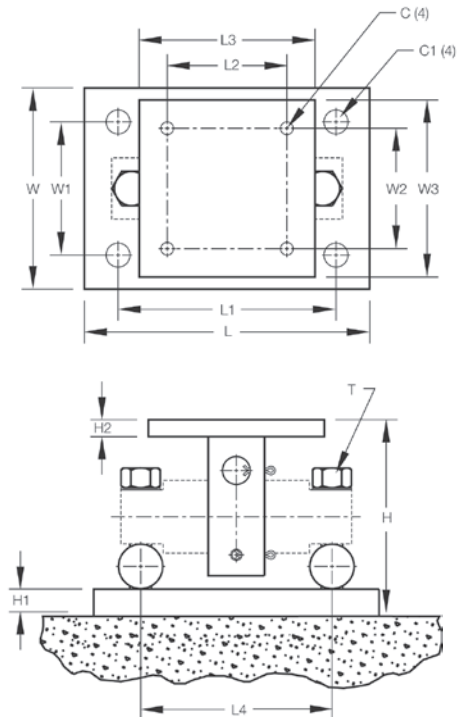
- Three or four EZ Mount 1 stainless steel compression mounts with RL72019SS welded-seal stainless steel double-ended shear beam load cells
- One JB4SS NEMA Type 4X stainless steel signal trim junction box
- 25 ft of our hostile environment EL147HE SURVIVOR® load cell cable

## Standard Features

- Capacities (per module): 5,000 to 60,000 lb
- NTEP Certified (except 5,000 lb)
- Stainless steel construction
- Unique sliding pin design compensates for thermal expansion/contraction
- Self-checking
- Easy load cell replacement
- Simplified design allows bolting directly to tank and floor
- Center-loaded, double-ended shear beam design
- Low-profile design

## Applications

- Medium- to heavy-capacity tank and hopper weighing applications



# RL1600 Series

Cast Iron Weigh Modules, Rice Lake Weighing Systems



## Complete Kit Includes

- Three or four RL1600 cast iron compression mounts with RL75016 environmentally protected double-ended shear beam load cells
- One JB4SS NEMA Type 4X stainless steel signal trim junction box
- 25 ft of hostile environment EL147HE SURVIVOR® load cell cable

## Standard Features

- Capacities (per module): 1,000 to 25,000 lb
- Cast iron construction
- Self-checking easy-to-use design allows module to be bolted directly to tank leg without requiring additional mounting plates or load buttons
- Double-ended beam design, center loaded
- Compatible with VPG® Sensortronics 65016 load cells, capacities (per module): 1,000 to 25,000 lb

## Applications

- Medium- to heavy-capacity tanks, bins and hoppers
- Bulk material management

LOAD CELLS / WEIGH MODULES

Picture is a representation of actual product.

## Order Information

Load Rating (Per Module)	Part #	Price
<b>Single Module (Does NOT Include Load Cell)</b>		
1,000 lb to 5,000 lb	<b>17964</b>	\$185.00
10,000 lb to 25,000 lb	<b>17965</b>	\$357.00
<b>3-Module Kit</b>		
1,000 lb	<b>25663</b>	\$2,285.00
1,500 lb	<b>25664</b>	\$2,285.00
2,000 lb	<b>25665</b>	\$2,285.00
2,500 lb	<b>25666</b>	\$2,285.00
3,000 lb	<b>25667</b>	\$2,285.00
5,000 lb	<b>25668</b>	\$2,285.00
10,000 lb	<b>25669</b>	\$3,000.00
15,000 lb	<b>25671</b>	\$3,000.00
20,000 lb	<b>25672</b>	\$3,000.00
25,000 lb	<b>25674</b>	\$3,000.00
<b>4-Module Kit</b>		
1,000 lb	<b>25675</b>	\$2,925.00
1,500 lb	<b>25676</b>	\$2,925.00
2,000 lb	<b>25677</b>	\$2,925.00
2,500 lb	<b>25678</b>	\$2,925.00
3,000 lb	<b>25679</b>	\$2,925.00
5,000 lb	<b>25680</b>	\$2,925.00
10,000 lb	<b>25681</b>	\$3,875.00
15,000 lb	<b>25682</b>	\$3,875.00
20,000 lb	<b>25683</b>	\$3,875.00
25,000 lb	<b>25684</b>	\$3,875.00

## VPG Sensortronics 65016 Order Information

Load Rating (Per Module)	Part #	Price
<b>3-Module Kit</b>		
1,000 lb	<b>25685</b>	\$2,685.00
1,500 lb	<b>25686</b>	\$2,685.00
2,500 lb	<b>25688</b>	\$2,685.00
5,000 lb	<b>25690</b>	\$2,685.00
10,000 lb	<b>25691</b>	\$3,400.00
15,000 lb	<b>25692</b>	\$3,400.00
20,000 lb	<b>25693</b>	\$3,400.00
25,000 lb	<b>25694</b>	\$3,400.00
<b>4-Module Kit</b>		
1,000 lb	<b>25695</b>	\$3,485.00
1,500 lb	<b>25696</b>	\$3,485.00
2,500 lb	<b>25698</b>	\$3,485.00
5,000 lb	<b>25700</b>	\$3,485.00
10,000 lb	<b>25701</b>	\$4,465.00
15,000 lb	<b>25702</b>	\$4,465.00
20,000 lb	<b>25703</b>	\$4,465.00
25,000 lb	<b>25704</b>	\$4,465.00
<b>Dummy Load Cells</b>		
1,000 lb to 5,000 lb	<b>18236</b>	\$26.00
10,000 lb to 25,000 lb	<b>18237</b>	\$42.00

## Shims, Mild Steel

	Part #	Price
<b>1,000 lb to 5,000 lb</b>		
0.0625 in	<b>150844</b>	\$2.00
0.125 in	<b>150845</b>	\$3.00
0.250 in	<b>150846</b>	\$3.00
<b>10,000 lb to 25,000 lb</b>		
0.0625 in	<b>150847</b>	\$5.00
0.125 in	<b>150848</b>	\$7.50
0.250 in	<b>150849</b>	\$8.00

# RL1600 Series

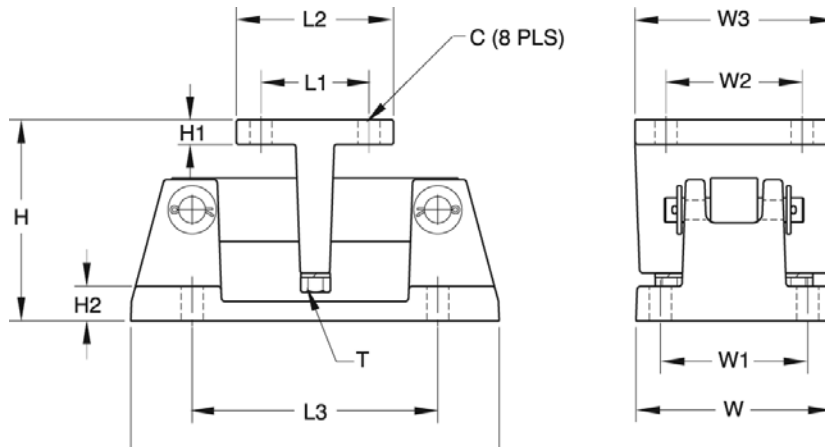
Cast Iron Weigh Modules, Rice Lake Weighing Systems

## Load Cell Upgrade

RL75016SS Stainless Steel Load Cells	
Three mount kits, 1,000 lb to 25,000 lb	\$75.00 added to list price
Four mount kits, 1,000 lb to 25,000 lb	\$100.00 added to list price
RL75016WHE Stainless Steel Hermetic Load Cells	
Three mount kits 1,000 lb to 5,000 lb	\$540.00, 10 k-25 k \$588.00 added to list price
Four mount kits 1,000 lb to 5,000 lb	\$720.00, 10 k-25 k \$784.00 added to list price
<i>Contact factory for a 50,000 lb to 75,000 lb upgrade</i>	

## Dimensions

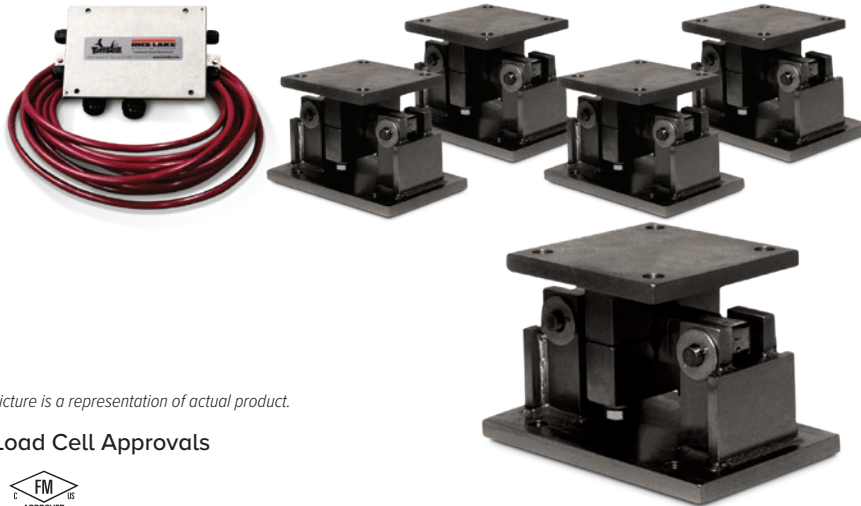
Rated Capacity	C	H	H1	H2	L	L1	L2	L3	T	W	W1	W2	W3
lb/in													
1,000 to 5,000	0.56	5.00	0.50	0.50	9.31	2.75	4.00	6.25	1/2-13 UNC	5.00	3.75	2.75	4.00
10,000 to 25,000	0.78	7.89	0.75	0.75	12.00	6.00	8.00	7.50	3/4-10 UNC	8.00	6.00	6.00	8.00



# RL1600 Series

Mild Steel Weigh Modules, Rice Lake Weighing Systems

LOAD CELLS / WEIGH MODULES



Picture is a representation of actual product.

## Load Cell Approvals



## Order Information

Load Rating (Per Module)	Part #	Price
<b>Single Module (Does NOT Include Load Cell)</b>		
1,000 lb to 5,000 lb	<b>17812</b>	\$185.00
10,000 to 25,000 lb	<b>17814</b>	\$357.00
50,000 lb	<b>17816</b>	\$1,197.00
75,000 lb	<b>25346</b>	\$1,197.00
<b>3-Module Kit</b>		
1,000 lb	<b>18117</b>	\$2,285.00
1,500 lb	<b>18118</b>	\$2,285.00
2,000 lb	<b>18119</b>	\$2,285.00
2,500 lb	<b>18120</b>	\$2,285.00
3,000 lb	<b>18121</b>	\$2,285.00
5,000 lb	<b>18122</b>	\$2,285.00
10,000 lb	<b>18123</b>	\$3,000.00
15,000 lb	<b>18124</b>	\$3,000.00
20,000 lb	<b>18125</b>	\$3,000.00
25,000 lb	<b>18126</b>	\$3,000.00
50,000 lb	<b>18127</b>	\$6,305.00
75,000 lb	<b>25348</b>	\$6,305.00
<b>4-Module Kit</b>		
1,000 lb	<b>18129</b>	\$2,925.00
1,500 lb	<b>18130</b>	\$2,925.00
2,000 lb	<b>18131</b>	\$2,925.00
2,500 lb	<b>18132</b>	\$2,925.00
3,000 lb	<b>18133</b>	\$2,925.00
5,000 lb	<b>18134</b>	\$2,925.00
10,000 lb	<b>18135</b>	\$3,875.00
15,000 lb	<b>18136</b>	\$3,875.00
20,000 lb	<b>18137</b>	\$3,875.00
25,000 lb	<b>18138</b>	\$3,875.00
50,000 lb	<b>18139</b>	\$8,425.00
75,000 lb	<b>25349</b>	\$8,425.00

## VPG Sensortronics 65016 Order Information

Load Rating (Per Module)	Part #	Price
<b>3-Module Kit</b>		
1,000 lb	<b>18189</b>	\$2,685.00
1,500 lb	<b>18190</b>	\$2,685.00
2,500 lb	<b>18192</b>	\$2,685.00
5,000 lb	<b>18194</b>	\$2,685.00
10,000 lb	<b>18195</b>	\$3,400.00
15,000 lb	<b>18196</b>	\$3,400.00
20,000 lb	<b>18197</b>	\$3,400.00
25,000 lb	<b>18198</b>	\$3,400.00
50,000 lb	<b>18199</b>	\$6,800.00
75,000 lb	<b>25350</b>	\$6,800.00
<b>4-Module Kit</b>		
1,000 lb	<b>18201</b>	\$3,485.00
1,500 lb	<b>18202</b>	\$3,485.00
2,500 lb	<b>18204</b>	\$3,485.00
5,000 lb	<b>18206</b>	\$3,485.00
10,000 lb	<b>18207</b>	\$4,465.00
15,000 lb	<b>18208</b>	\$4,465.00
20,000 lb	<b>18209</b>	\$4,465.00
25,000 lb	<b>18210</b>	\$4,465.00
50,000 lb	<b>18211</b>	\$8,920.00
75,000 lb	<b>25351</b>	\$8,920.00
<b>Dummy Load Cells</b>		
1,000 lb to 5,000 lb	<b>18236</b>	\$26.00
10,000 lb to 25,000 lb	<b>18237</b>	\$42.00
50,000 lb	<b>18238</b>	\$56.00

## Complete Kit Includes

- Three or four RL1600 mild steel compression mounts with RL75016 environmentally protected double-ended shear beam load cells
- One JB4SS NEMA Type 4X stainless steel signal trim junction box
- 25 ft of our hostile environment EL147HE SURVIVOR® load cell cable

## Standard Features

- Capacities (per module): 1,000 to 75,000 lb
- Coated mild steel construction
- Self-checking, easy-to-use design allows module to be bolted directly to tank leg without requiring additional mounting plates or load buttons
- Double-ended shear beam design, center loaded
- Compatible with VPG® Sensortronics 65016 load cells

## Applications

- Medium- to heavy-capacity tanks, bins and hoppers
- Bulk material management

## Shims, Mild Steel

	Part #	Price
<b>1,000 lb to 5,000 lb</b>		
0.0625 in	<b>150844</b>	\$2.00
0.125 in	<b>150845</b>	\$3.00
0.250 in	<b>150846</b>	\$3.00
<b>10,000 lb to 25,000 lb</b>		
0.0625 in	<b>150847</b>	\$5.00
0.125 in	<b>150848</b>	\$7.50
0.250 in	<b>150849</b>	\$8.00
<b>50,000 lb to 75,000 lb</b>		
0.0625 in	<b>150850</b>	\$7.00
0.125 in	<b>150851</b>	\$9.00
0.250 in	<b>150866</b>	\$7.50



# RL1600 Series

Mild Steel Weigh Modules, Rice Lake Weighing Systems

LOAD CELLS /  
WEIGH MODULES

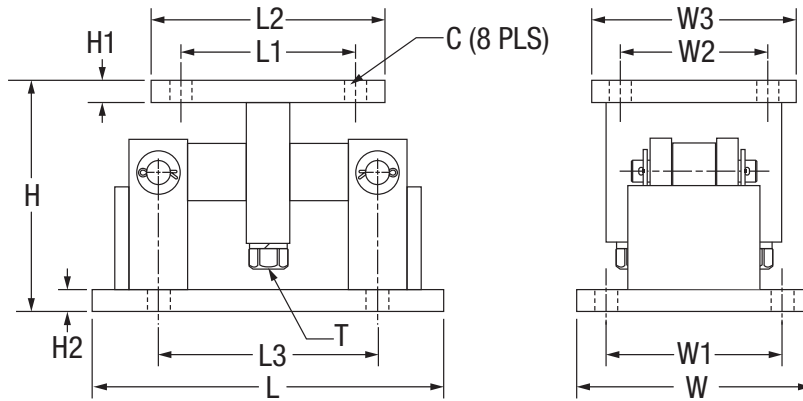
## Load Cell Upgrade

RL75016SS Stainless Steel Load Cells	
Three mount kits, 1,000 lb to 25,000 lb	\$75.00 added to list price
Four mount kits, 1,000 lb to 25,000 lb	\$100.00 added to list price
RL75016WHE Stainless Steel Hermetic Load Cells	
Three mount kits, 1,000 lb to 5,000 lb	\$540.00, 10 k-25 k \$588.00 added to list price
Four mount kits, 1,000 lb to 5,000 lb	\$720.00, 10 k-25 k \$784.00 added to list price

Contact factory for a 50,000 lb to 75,000 lb adder for stainless only

## Dimensions

Rated Capacity	C	H	H1	H2	L	L1	L2	L3	T	W	W1	W2	W3
1,000 to 5,000	0.56	5.00	0.50	0.50	9.25	2.75	4.00	6.25	1/2-13 UNC	5.00	3.75	2.75	4.00
10,000 to 25,000	0.78	7.87	0.75	0.75	12.00	6.00	8.00	7.50	3/4-10 UNC	8.00	6.00	6.00	8.00
50,000 to 75,000	0.78	9.25	1.00	1.00	16.25	6.50	9.00	11.50	1 1/4-7 UNC	12.00	9.50	6.50	9.00





# RL1600 Series SS

Stainless Steel Weigh Modules, Rice Lake Weighing Systems



Picture is a representation of actual product.

## Load Cell Approvals



## Order Information

Load Rating (Per Module)	Part #	Price
<b>Single Module (Does NOT Include Load Cell)</b>		
1,000 lb to 5,000 lb	<b>17813</b>	\$685.00
10,000 lb to 25,000 lb	<b>17815</b>	\$1,345.00
50,000 lb	<b>17842</b>	\$3,185.00
75,000 lb	<b>25347</b>	\$3,185.00
<b>3-Module Kit</b>		
1,000 lb	<b>18141</b>	\$3,820.00
1,500 lb	<b>18142</b>	\$3,820.00
2,000 lb	<b>18143</b>	\$3,820.00
2,500 lb	<b>18144</b>	\$3,820.00
5,000 lb	<b>18145</b>	\$3,820.00
10,000 lb	<b>18146</b>	\$5,830.00
15,000 lb	<b>18147</b>	\$5,830.00
20,000 lb	<b>18148</b>	\$5,830.00
25,000 lb	<b>18149</b>	\$5,830.00
50,000 lb	<b>18150</b>	\$13,255.00
75,000 lb	<b>25352</b>	\$13,255.00
<b>4-Module Kit</b>		
1,000 lb	<b>18152</b>	\$4,988.00
1,500 lb	<b>18153</b>	\$4,988.00
2,000 lb	<b>18154</b>	\$4,988.00
2,500 lb	<b>18155</b>	\$4,988.00
5,000 lb	<b>18156</b>	\$4,988.00
10,000 lb	<b>18157</b>	\$7,959.00
15,000 lb	<b>18158</b>	\$7,959.00
20,000 lb	<b>18159</b>	\$7,959.00
25,000 lb	<b>18160</b>	\$7,959.00
50,000 lb	<b>18161</b>	\$17,895.00
75,000 lb	<b>25353</b>	\$17,895.00

## VPG Sensortronics 65016W Order Information

Load Rating (Per Module)	Part #	Price
<b>3-Module Kit</b>		
1,000 lb	<b>18213</b>	\$4,090.00
1,500 lb	<b>18214</b>	\$4,090.00
2,500 lb	<b>18216</b>	\$4,090.00
5,000 lb	<b>18217</b>	\$4,090.00
10,000 lb	<b>18218</b>	\$6,280.00
15,000 lb	<b>18219</b>	\$6,280.00
20,000 lb	<b>18220</b>	\$6,280.00
25,000 lb	<b>18221</b>	\$6,280.00
50,000 lb	<b>18222</b>	\$13,815.00
75,000 lb	<b>25354</b>	\$13,815.00
<b>4-Module Kit</b>		
1,000 lb	<b>18224</b>	\$5,375.00
1,500 lb	<b>18225</b>	\$5,375.00
2,500 lb	<b>18227</b>	\$5,375.00
5,000 lb	<b>18228</b>	\$5,375.00
10,000 lb	<b>18229</b>	\$8,290.00
15,000 lb	<b>18230</b>	\$8,290.00
20,000 lb	<b>18231</b>	\$8,290.00
25,000 lb	<b>18232</b>	\$8,290.00
50,000 lb	<b>18233</b>	\$18,225.00
75,000 lb	<b>25355</b>	\$18,225.00
<b>Dummy Load Cells (Mild Steel)</b>		
1,000 lb to 5,000 lb	<b>18236</b>	\$26.00
10,000 lb to 25,000 lb	<b>18237</b>	\$42.00
50,000 lb	<b>18238</b>	\$56.00

## Complete Kit Includes

- Three or four RL1600 stainless steel compression mounts with RL75016SS environmentally protected stainless steel double-ended shear beam load cells
- One JB4SS NEMA Type 4X stainless steel signal trim junction box
- 25 ft of hostile environment EL147HE SURVIVOR® load cell cable

## Standard Features

- Capacities (per module): 1,000 to 75,000 lb
- Stainless steel construction
- Self-checking, easy-to-use design allows module to be bolted directly to tank leg without requiring additional mounting plates or load buttons
- Double-ended shear beam design, center loaded
- Compatible with VPG® Sensortronics 65016W SS load cells

## Applications

- Medium- to heavy-capacity tanks, bins and hoppers
- Bulk material management

LOAD CELLS / WEIGH MODULES

## Shims, Stainless

	Part #	Price
<b>1,000 lb to 5,000 lb</b>		
0.0625	<b>150852</b>	\$7.00
0.125	<b>150853</b>	\$12.00
0.250	<b>150854</b>	\$18.00
<b>10,000 lb to 25,000 lb</b>		
0.0625	<b>150855</b>	\$19.00
0.125	<b>150856</b>	\$30.00
0.250	<b>150857</b>	\$65.00
<b>50,000 lb to 75,000 lb</b>		
0.0625	<b>150858</b>	\$27.00
0.125	<b>150859</b>	\$38.00
0.250	<b>150861</b>	\$79.00

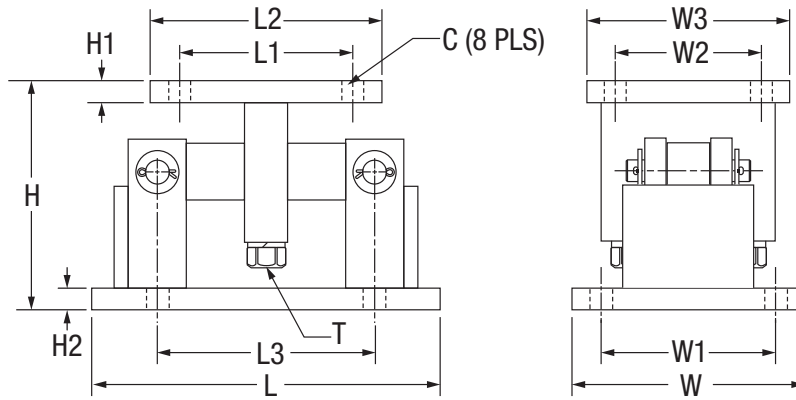
# RL1600 Series SS

Stainless Steel Weigh Modules, Rice Lake Weighing Systems

LOAD CELLS /  
WEIGH MODULES

## Dimensions

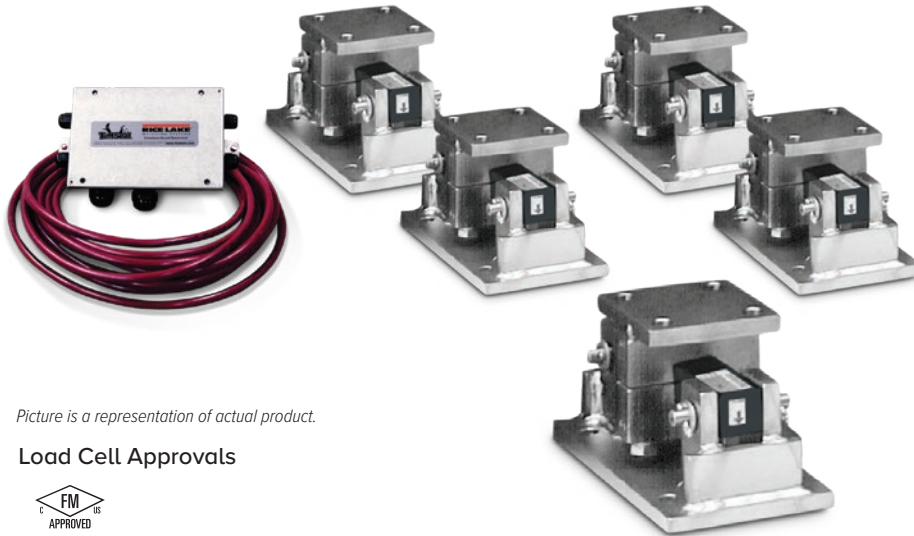
Rated Capacity	C	H	H1	H2	L	L1	L2	L3	T	W	W1	W2	W3
1,000 to 5,000	0.56	5.00	0.50	0.50	9.25	2.75	4.00	6.25	1/2-13UNC	5.00	3.75	2.75	4.00
10,000 to 25,000	0.78	7.87	0.75	0.75	12.00	6.00	8.00	7.50	3/4-10UNC	8.00	6.00	6.00	8.00
50,000 to 75,000	0.78	9.25	1.00	1.00	16.25	6.50	9.00	11.50	1 1/4-7UNC	12.00	9.50	6.50	9.00



# RL1600 Series Coated Load Cell Version

Stainless Steel Weigh Modules, Rice Lake Weighing Systems

LOAD CELLS /  
WEIGH MODULES



Picture is a representation of actual product.

## Load Cell Approvals



## Order Information

Load Rating (Per Module)	Part #	Price
<b>Single Module (Does NOT Include Load Cell)</b>		
1,000 lb to 5,000 lb	17813	\$685.00
10,000 lb to 25,000 lb	17815	\$1,345.00
50,000 lb	17842	\$3,185.00
75,000 lb	25347	\$3,185.00
<b>3-Module Kit</b>		
1,000 lb	199023	\$3,820.00
1,500 lb	199025	\$3,820.00
2,000 lb	199027	\$3,820.00
2,500 lb	199029	\$3,820.00
3,000 lb	199031	\$3,820.00
5,000 lb	199033	\$3,820.00
10,000 lb	199035	\$5,830.00
15,000 lb	199037	\$5,830.00
20,000 lb	199038	\$5,830.00
25,000 lb	199040	\$5,830.00
50,000 lb	199042	\$13,255.00
75,000 lb	199044	\$13,255.00
<b>4-Module Kit</b>		
1,000 lb	199024	\$4,985.00
1,500 lb	199026	\$4,985.00
2,000 lb	199028	\$4,985.00
2,500 lb	199030	\$4,985.00
3,000 lb	199032	\$4,985.00
5,000 lb	199034	\$4,985.00
10,000 lb	199036	\$7,955.00
15,000 lb	199056	\$7,955.00
20,000 lb	199039	\$7,955.00
25,000 lb	199041	\$7,955.00
50,000 lb	199043	\$17,895.00
75,000 lb	199045	\$17,895.00

## Dimensions

Rated Capacity	C	H	H1	H2	L	L1	L2	L3	T	W	W1	W2	W3
1,000 to 5,000	0.56	5.00	0.50	0.50	9.25	2.75	4.00	6.25	1/2-13 UNC	5.00	3.75	2.75	4.00
10,000 to 25,000	0.78	7.87	0.75	0.75	12.00	6.00	8.00	7.50	3/4-10 UNC	8.00	6.00	6.00	8.00
50,000 to 75,000	0.78	9.25	1.00	1.00	16.25	6.50	9.00	11.50	1 1/4-7 UNC	12.00	9.50	6.50	9.00

## Complete Kit Includes

- Three or four RL1600 stainless steel compression mounts with RL75016 coated alloy steel, environmentally sealed, double ended shear beam load cells
- One JB4SS NEMA Type 4X stainless steel signal trim junction box
- 25 ft of hostile environment EL147HE SURVIVOR® load cell cable

## Standard Features:

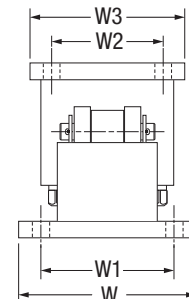
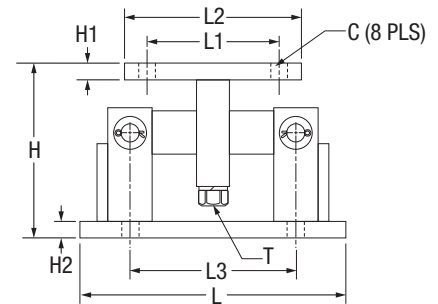
- Capacities (per module): 1,000 to 75,000 lb
- Stainless steel construction (mounts)
- Self-checking, easy-to-use design allows module to be bolted directly to tank leg without requiring additional mounting plates or load buttons
- Double-ended shear beam design, center loaded

## Applications

- Medium- to heavy-capacity tanks, bins and hoppers
- Bulk material management

## Shims, Stainless

	Part #	Price
<b>1,000 lb to 5,000 lb</b>		
0.0625	150852	\$7.00
0.125	150853	\$12.00
0.250	150854	\$18.00
<b>10,000 lb to 25,000 lb</b>		
0.0625	150855	\$19.00
0.125	150856	\$30.00
0.250	150857	\$65.00
<b>50,000 lb to 75,000 lb</b>		
0.0625	150858	\$27.00
0.125	150859	\$38.00
0.250	150861	\$79.00



# MVS Mount/MVS

Conversion Kit

LOAD CELLS /  
WEIGH MODULES



Picture is a representation of actual product.

## Load Cell Approvals



## Order Information

Load Rating (Per Module)	Part #	Price
<b>MVS Mount (Does NOT Include Load Cell)</b>		
10,000 lb to 25,000 lb	<b>71200</b>	\$725.00
50,000 lb to 75,000 lb	<b>46441</b>	\$865.00
100,000 lb to 125,000 lb	<b>68520</b>	\$1,475.00
<b>MVS Conversion Kits (Includes 75,000 lb* Load Cells, Mounts and Junction Box)</b>		
4-module kit	<b>68495</b>	\$7,505.00
6-module kit	<b>68496</b>	\$11,050.00
8-module kit	<b>68497</b>	\$15,020.00
10-module kit	<b>68498</b>	\$19,465.00
<b>Dummy Load Cell</b>		
50,000 lb to 75,000 lb	<b>169388</b>	\$175.00
100,000 lb to 125,000 lb	<b>159696</b>	\$212.00

Custom heights available; Consult

\* Consult for other capacity requirements

## Complete Kit Includes

- Four to ten MVS mild steel mounts with RL75058-LP 75,000 lb NTEP Certified alloy steel environmentally sealed double-ended beam load cells.
- One JB8SPT NEMA 4 Type signal trim junction box (JB1010 on 10 module kit)
- 100 ft of our hostile environment EL147HE SURVIVOR® load cell cable

## Standard Features

- Capacity (per module): 10,000 to 125,000 lb
- Mild steel construction
- Specially hardened center link
- Self-checking design
- Self-centering design
- Accommodates thermal expansion and contraction
- Compatible with VPG® Sensortronics 65058 or VPG® Celtron CLB

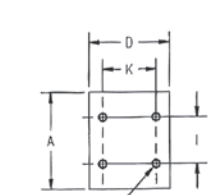
## Applications

- Truck scale conversion
- Heavy-capacity horizontal tanks

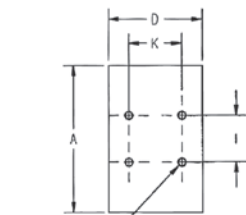
## Dimensions

Rated Capacity	A	B	C	D	E	F	G	H	I	J	K
lb/in											
10,000 to 25,000	7.25	14.00	7.00	6.00	7.00	5.25	4.50	11.50	3.50	8.50	4.00
50,000 to 75,000	11.00	14.25	12.00	7.00	—	11.00	10.00	7.25	3.50	11.53	4.00
100,000 to 125,000	12.50	14.75	17.25	9.00	—	12.75	14.25	11.25	5.00	14.21	6.00

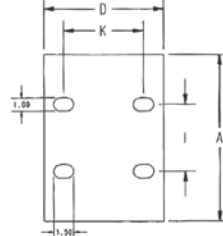
TOP VIEW OF TOP PLATES



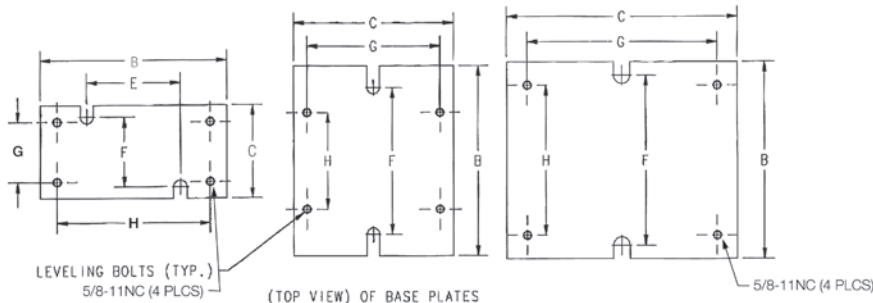
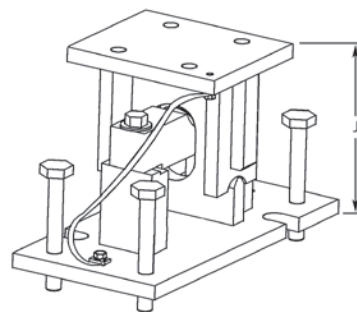
10K-25K



50K-75K



100K-125K



(TOP VIEW) OF BASE PLATES

# Translink™ Parallel Link

Truck Scale Assembly, Rice Lake Weighing Systems

LOAD CELLS / WEIGH MODULES



Mount only; does not include load cell.  
Picture is a representation of actual product.

## Standard Features

- Capacities (per module): 25,000 to 100,000 lb
- Painted mild steel construction
- Center-supported, end-loaded double-ended shear beam design
- Free movement in all directions in the horizontal plane with virtually no friction
- Links provide optimal loading conditions for the cell
- Completely self-centering
- Requires no check rods
- Utilizes cells with 3 mV/V output
- Compatible with Rice Lake RL75223 and RL75040, VPG® Revere 5223 and VPG® Sensortronics 65040A load cells

## Applications

- Truck scale mount
- Heavy-capacity horizontal tanks

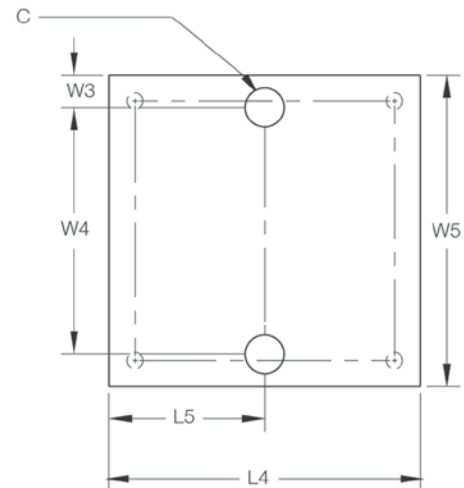
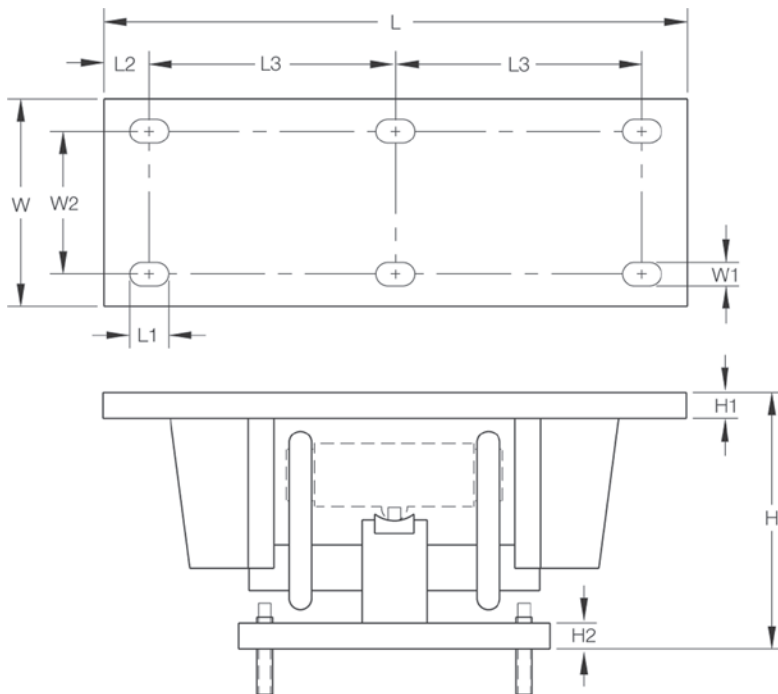
## Order Information

Load Rating (Per Module)	Part #	Price
<b>For Use With RL75223, 5223 Load Cells</b>		
50,000 lb to 100,000 lb	<b>17970</b>	\$885.00
<b>For Use With RL75040, 65040A Load Cells</b>		
25,000 lb to 40,000 lb	<b>17971</b>	\$885.00
50,000 lb to 75,000 lb	<b>17972</b>	\$885.00

Mount only; does not include load cell

## Dimensions

Rated Capacity	C	H	H1	H2	L	L1	L2	L3	L4	L5	W	W1	W2	W3	W4	W5
50,000 to 100,000 (RL75223, 5223)	1.50	12.93	1.00	1.00	22.50	1.50	1.75	9.50	11.75	5.88	7.75	0.91	5.25	1.25	9.25	11.75
25,000 to 40,000 (RL75040, 65040A)	1.50	9.88	1.00	1.00	18.50	1.50	1.75	7.50	11.75	5.88	7.75	0.91	5.25	1.25	9.25	11.75
50,000 to 75,000 (RL75040, 65040A)	1.50	12.82	1.00	1.00	22.50	1.50	1.75	9.50	11.75	5.88	7.75	0.91	5.25	1.25	9.25	11.75



# Motor Truck Scale Electronic Conversion Kit

Rice Lake Weighing Systems

LOAD CELLS /  
WEIGH MODULES



Picture is a representation of actual product.

## Order Information

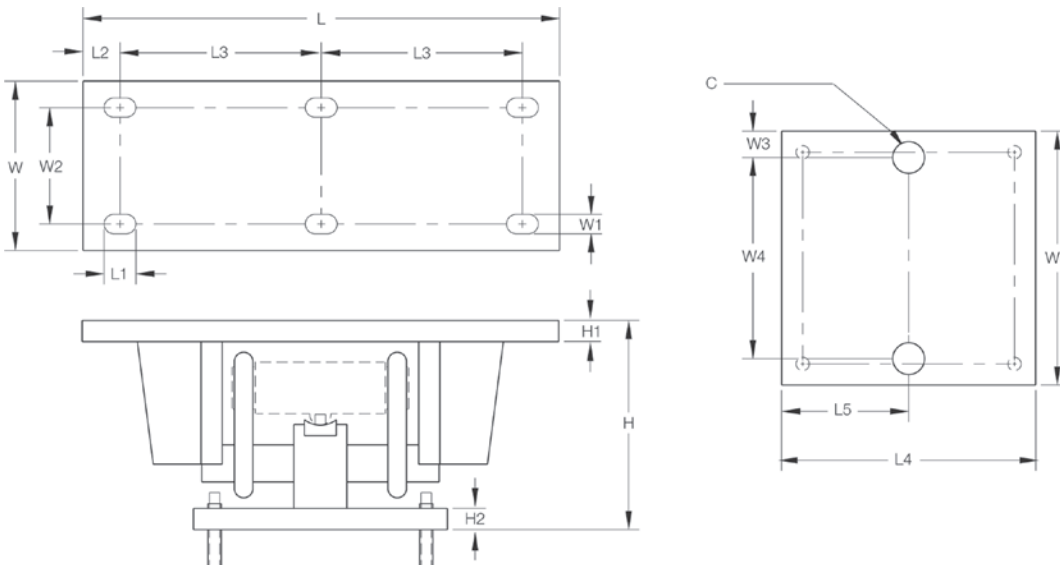
Load Cell Capacity (Per Module)	Part #	Load Cell Used In Kit	Price
<b>4-Module Kit</b>			
25,000 lb	30513	RL75040	\$6,324.00
40,000 lb	30514	RL75040	\$6,854.00
<b>6-Module Kit</b>			
50,000 lb	30515	RL75040	\$10,765.00
60,000 lb	30516	RL75040	\$10,765.00
<b>8-Module Kit</b>			
60,000 lb	30517	RL75040	\$13,899.00
75,000 lb	30518	RL75040	\$13,899.00
100,000 lb	30512	RL75223	\$16,787.00

SD refers to super duty, 100,000 lb capacity welded-seal load cells

## Dimensions

Rated Capacity	C	H*	H1	H2	L	L1	L2	L3	L4	L5	W	W1	W2	W3	W4**	W5
lb/in																
50,000 to 100,000 (RL75223)	1.50	12.93	1.00	1.00	22.50	1.50	1.75	9.50	11.75	5.88	7.75	0.91	5.25	1.25	9.25	11.75
25,000 to 40,000 (RL75040)	1.50	9.88	1.00	1.00	18.50	1.50	1.75	7.50	11.75	5.88	7.75	0.91	5.25	1.25	9.25	11.75
50,000 to 75,000 (RL75040)	1.50	12.82	1.00	1.00	22.50	1.50	1.75	9.50	11.75	5.88	7.75	0.91	5.25	1.25	9.25	11.75

\*Custom heights available; consult



## Complete Kit Includes

- Four, six or eight Translink mounting assemblies with NTEP Certified RL75040 or RL75223 welded-seal load cells
- One JB8SP NEMA Type 4X signal-trim junction box with individual and section trimming capability (six- and eight-mount kits) or one JB4SP NEMA Type 4X signal-trim junction box (four-mount kits)
- One UJB3T6 DC transient protector
- 100 ft of hostile environment EL147HE SURVIVOR® load cell cable

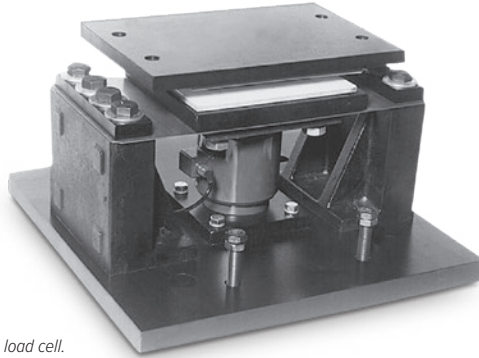
## Standard Features

- Capacity (per module): 25,000 to 100,000 lb
- Cost and time efficient installation; no need to remove weighbridge
- Converts existing scale capacities of 40,000 to 300,000 lb
- Four, six or eight-mount kits for two, three or four section conversions
- Translink™ heavy-capacity mounting assemblies
- Free movement in all directions in the horizontal plane with virtually no friction
- Completely self-centering
- Requires no check rods
- Compatible with VPG® Sensortronics 65040A or VPG® Revere 5223 load cells

## Applications

- Updating existing mechanical motor truck scales
- Replacing unsatisfactory electronic motor truck scales
- Conversion of heavy-capacity scales into fully electronic vehicle scales where the existing scale cannot be removed





Mount only; does not include load cell.  
Picture is a representation of actual product.

## Standard Features

- Capacities (per module): 50,000 lb, 100,000 lb and 200,000 lb
- Protects load cell from shock and side loads
- Low-profile design
- High-strength load bearing plate made of highgrade carbon steel hardened to Rockwell C 48-54
- PTFE-coated shock absorbing pads
- Compatible with VPG® Revere CP and CSP and Rice Lake Weighing Systems® RLCSPI NTEP Certified load cells

## Applications

- Truck scale mount\*
- Heavy-capacity horizontal tanks\*
- Railroad track mount\*

\*Check rods required

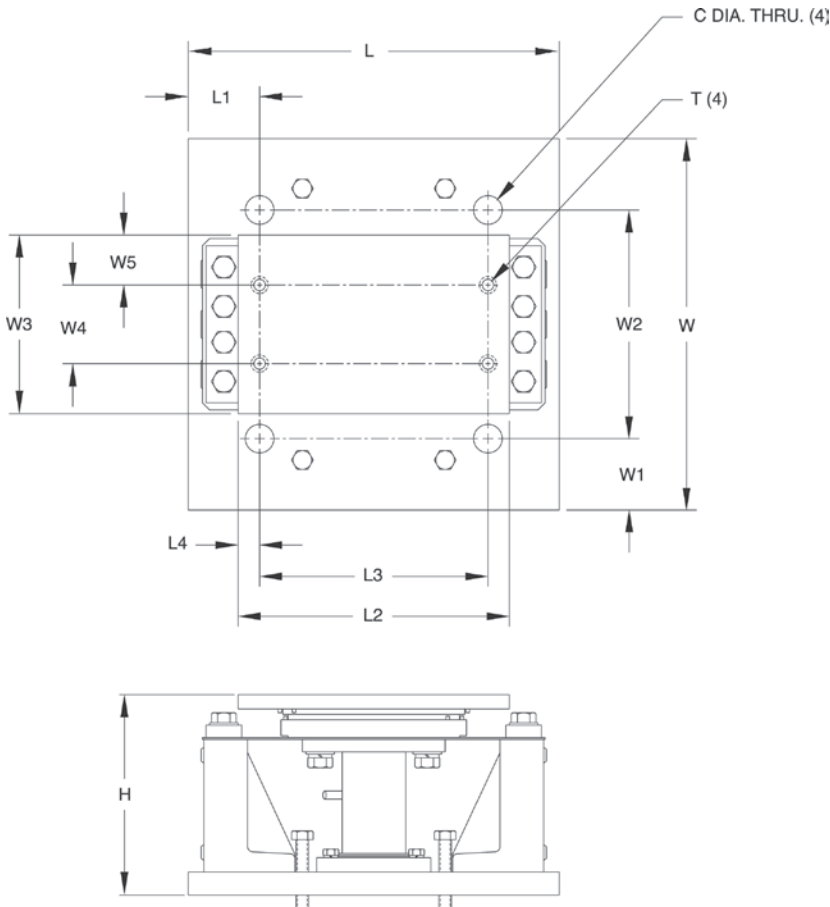
## Order Information

Load Rating (Per Module)	Part #	Price
50,000 lb	<b>21723</b>	\$2,225.00
100,000 lb	<b>21724</b>	\$2,650.00
200,000 lb	<b>17974</b>	\$4,595.00

Mount only; does not include load cell

## Dimensions

Rated Capacity	C	H	L	L1	L2	L3	L4	T	W	W1	W2	W3	W4	W5
50,000	1.25	7.39	13.00	1.75	11.25	8.50	1.37	3/4-10 UNC	12.00	1.75	8.50	8.00	4.50	1.75
100,000	1.50	11.29	20.00	2.25	18.00	15.50	1.25	7/8-9 UNC	17.00	2.50	12.00	9.00	5.50	1.75
200,000	2.00	14.10	26.00	5.00	19.00	16.00	1.50	1-8 UNC	26.00	5.00	16.00	12.50	5.50	3.50



# Mettler Toledo® DigiTOL® Retrofit Kit

Stainless Steel, Rice Lake Weighing Systems/Flintec

LOAD CELLS /  
WEIGH MODULES

## RC1 Load Cells



Shown here with the JB8SP signal trim junction box.  
Picture is a representation of actual product.

### Load Cell Approvals



### DigiTOL Retrofit Order information

Description	Part #	Price
8 mount kit (RC1 - 250 kN) 1 JB8SP junction box	<b>78713</b>	\$9,485.00
10 mount kit (RC1 - 250 kN) 2 JB8SP junction boxes	<b>78714</b>	\$11,535.00
12 mount kit (RC1 - 250 kN) 3 EL304 junction boxes	<b>152774</b>	\$14,225.00

### Complete Kit Includes

- Eight, ten or twelve Flintec NTEP Certified RC1-250 kN or RC3-50t stainless steel, hermetically sealed rocker column load cells with cups
- One JBSP NEMA Type 4X signal trim junction box or one EL204
- 100 ft of hostile environment EL147HE SURVIVOR® load cell cable

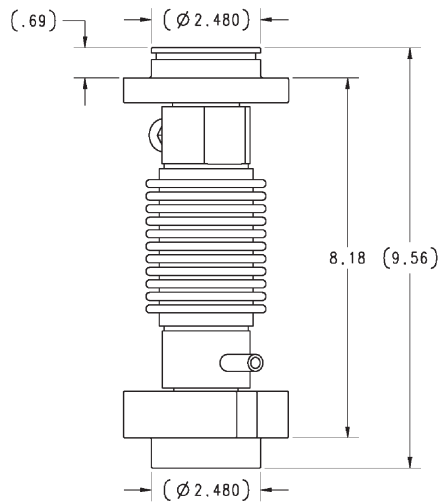
### Standard Features

- Load cells are NTEP Certified 1:10,000 divisions, Class IIII\*
- Converts existing Mettler-Toledo DigiTOL scale to an analog based load cell weighing system
- Rocker design load cells
- Load cups
- One-year limited warranty

\*Consult your local Weights & Measures Authorities for local Legal for Trade requirements

### Applications

- Mettler Toledo® DigiTOL® truck scale conversion



RC1-250KN

# Mettler Toledo® DigiTOL® Retrofit Kit

Stainless Steel, Rice Lake Weighing Systems/Flintec

LOAD CELLS /  
WEIGH MODULES

## RC3 Load Cells



Shown here with the JB8SP signal trim junction box  
Picture is a representation of actual product

### Load Cell Approvals



### DigiTOL Retrofit Order information

Description	Part #	Price
8 mount kit (RC3 - 50t) RR/track 2 EL304 junction boxes	<b>129844</b>	\$12,995.00
8 mount kit (RC3 - 50t) truck 2 EL304 junction boxes	<b>154347</b>	\$12,995.00
10 mount kit (RC3 - 50t) RR/track 2 JB8SP junction boxes	<b>111367</b>	\$16,100.00
10 mount kit (RC3 - 50t) truck 3 EL304 junction boxes	<b>154348</b>	\$16,100.00
12 mount kit (RC3 - 50t) truck 3 EL304 junction boxes	<b>154349</b>	\$19,295.00

### Complete Kit Includes

- Eight, ten or twelve Flintec NTEP Certified RC1-250 kN or RC3-50t stainless steel, hermetically sealed rocker column load cells with cups
- One JBSP NEMA Type 4X signal trim junction box or one EL204
- 100 ft of hostile environment EL147HE SURVIVOR® load cell cable

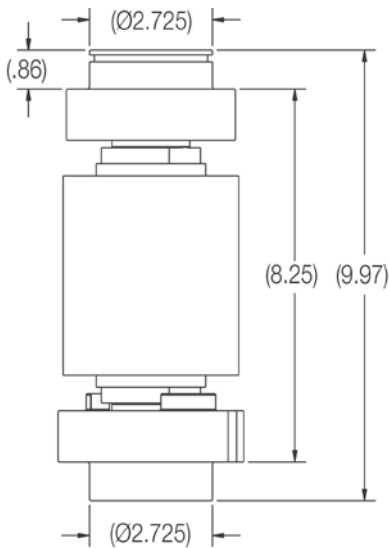
### Standard Features

- Load cells are NTEP Certified 1:10,000 divisions, Class III\*
- Converts existing Mettler-Toledo DigiTOL scale to an analog based load cell weighing system
- Rocker design load cells
- Load cups
- One-year limited warranty

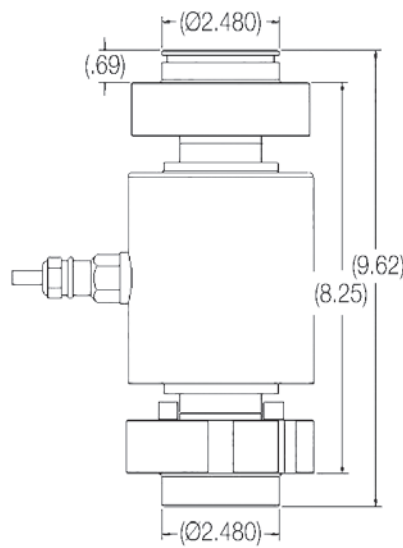
\*Consult your local Weights & Measures Authorities for local Legal for Trade requirements

### Applications

- Mettler Toledo® DigiTOL® truck scale conversion



RC3-50t  
RR TRACK



RC3-50t  
TRUCK

# Rice Lake Analog Retrofit Kit

Stainless Steel, Analog Load Cells

LOAD CELLS /  
WEIGH MODULES

## RL82021-40t Load Cells



Shown here with the EL304A signal trim junction box. Picture is a representation of actual product.



### Load Cell Approvals

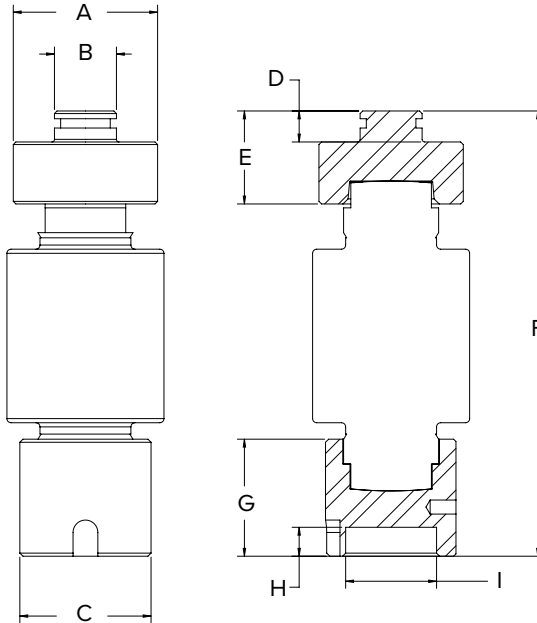


## Digital Retrofit Order information

Description	Part #	Price
8 mount kit (RC1-56,000) 2 EL304A junction boxes	<b>216423</b>	\$7,795.00
10 mount kit (RC1-56,000) 3 EL304A junction boxes	<b>216424</b>	\$9,875.00

## Dimensions

Analog Load Cells	
A	Ø2.75 in (70 mm)
B	Ø1.18 in (30 mm)
C	Ø2.50 in (64 mm)
D	0.59 in (15 mm)
E	1.77 in (45 mm)
F	8.48 in (215 mm)
G	2.23 in (57 mm)
H	0.55 in (14 mm)
I	Ø1.73 in (44 mm)



## Complete Kit Includes

- Eight or ten RL82021-40t NTEP Certified stainless steel hermetically sealed load cells with upper and lower cups
- One EL304A NEMA Type 4X signal trim junction box
- 100 ft of hostile environment EL147HE SURVIVOR® load cell cable

## Standard Features

- Load cells are NTEP Certified 1:10,000 divisions, Class III\*
- Converts B-TEK digital CPD-M scales to analog
- Load cells have built-in surge protection and rated to IP69K
- Stainless steel overbraided cable
- Rocker design load cells
- Load cups
- Two-year limited warranty

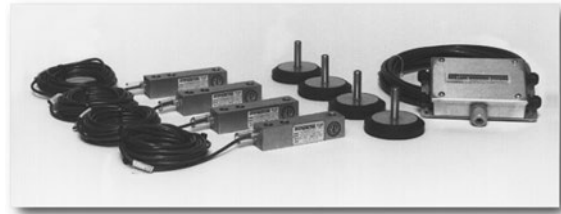
\*Consult your local Weights & Measures Authorities for local Legal for Trade requirements

## Applications

- B-TEK digital truck scale conversion

# Electronic Floor Scale Underdeck Kits

LOAD CELLS /  
WEIGH MODULES



Underdeck kits are provided to meet the application needs of the electronic floor scale producer and are an easy source for rebuilding existing floor scales. Underdeck kits are provided with mounting plates and load cell bolts for easy installation.

## Economical Kit

### Kit Includes

- (4) VPG® Celtron SQB alloy steel NTEP Certified 5,000 d, Class III load cells
- (1) JB4SS stainless steel NEMA Type 4X junction box
- (4) SureFoot® high-accuracy stainless steel support feet
- 20 ft EL147HE load cell cable
- (4) mounting plates and (8) load cell bolts

### Order Information

Scale Base Capacity	Part #	Price
1,000 lb for 2,000 lb base	<b>26436</b>	\$980.00
2,500 lb for 5,000 lb base	<b>26437</b>	\$980.00
4,000 lb for 10,000 lb base	<b>26438</b>	\$980.00

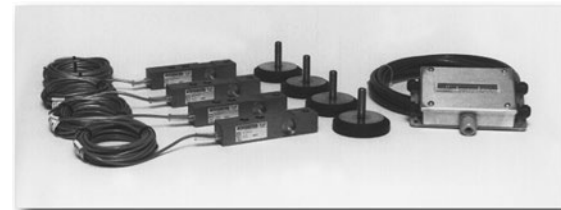
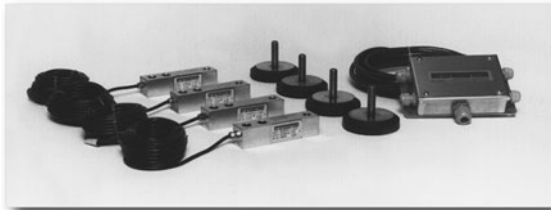
## Chemical, Dry Corrosive & Non-Washdown Applications Kit

### Kit Includes

- (4) VPG® Celtron SQB-HSS stainless steel NTEP Certified 5,000 d, Class III load cells
- (1) JB4SS stainless steel NEMA Type 4X junction box
- (4) SureFoot® high-accuracy stainless steel support feet
- 20 ft EL147HE load cell cable
- (4) mounting plates and (8) load cell bolts

### Order Information

Scale Base Capacity	Part #	Price
1,000 lb for 2,000 lb base	<b>19035</b>	\$1,378.00
2,500 lb for 5,000 lb base	<b>19036</b>	\$1,378.00
4,000 lb for 10,000 lb base	<b>19037</b>	\$1,378.00



## Standard Precision Applications Kit

### Kit Includes

- (4) Rice Lake RL32018 alloy steel NTEP Certified 5,000 d, Class III load cells
- (1) JB4SS stainless steel NEMA Type 4X junction box
- (4) SureFoot high-accuracy stainless steel support feet
- 20 ft EL147HE load cell cable
- (4) mounting plates and (8) load cell bolts

NOTES: The use of NTEP Certified load cells in a scale base does not constitute approval of the completed base. Consult with local or state jurisdiction for compliance requirements.

### Order Information

Scale Base Capacity	Part #	Price
1,000 lb for 2,000 lb base	<b>19032</b>	\$1,060.00
2,500 lb for 5,000 lb base	<b>19033</b>	\$1,060.00
4,000 lb for 10,000 lb base	<b>19034</b>	\$1,060.00

## Wet Applications Kit

### Kit Includes

- (4) Rice Lake RL32018S-HE welded-seal stainless steel NTEP Certified 5,000 d, Class III load cells
- (1) JB4SS stainless steel NEMA Type 4X junction box
- (4) SureFoot® high-accuracy stainless steel support feet
- 20 ft EL147HE load cell cable
- (4) mounting plates and (8) load cell bolts

### Order Information

Scale Base Capacity	Part #	Price
1,000 lb for 2,000 lb base	<b>19038</b>	\$1,706.00
2,500 lb for 5,000 lb base	<b>19039</b>	\$1,706.00
4,000 lb for 10,000 lb base	<b>19040</b>	\$1,706.00

# RL20000I

Alloy Steel, Environmentally Sealed, NTEP Certified 1:5,000 III/1:10,000 IIII, IP67

LOAD CELLS /  
WEIGH MODULES



Picture is a representation of actual product.

### Approvals



### Order Information

Load Rating	Part #	Est. Weight	Price
25 lb	21428	2 lb	\$290.00
50 lb	21429	2 lb	\$290.00
75 lb	21430	2 lb	\$290.00
100 lb	21431	2 lb	\$290.00
150 lb	21432	2 lb	\$290.00
200 lb	21433	2 lb	\$290.00
250 lb	21434	2 lb	\$290.00
300 lb	21435	2 lb	\$290.00
500 lb	21436	2 lb	\$290.00
750 lb	21437	2 lb	\$290.00
1,000 lb	21438	2 lb	\$290.00
1,500 lb	21439	2 lb	\$290.00
2,000 lb***	21356	2 lb	\$358.00
2,000 lb	21440	2 lb	\$290.00
2,500 lb	21441	2 lb	\$290.00
3,000 lb	21442	4 lb	\$334.00
5,000 lb***	17044	4 lb	\$505.00
5,000 lb	21443	4 lb	\$466.00
10,000 lb	21444	4 lb	\$466.00
15,000 lb	21445	7 lb	\$588.00
20,000 lb***	17045	17 lb	\$993.00
20,000 lb	21446	17 lb	\$927.00
<b>Conduit Adapter Kit* (must be factory installed to maintain warranty)</b>			
3/8-24 nipple	31533*	1 lb	\$37.00
3/8-24 to 1/4-18 NPT	31534*	1 lb	\$37.00
<b>Replacement Agriculture Scale Load Cell - 40 ft Cable</b>			
10,000 lb	151746	5 lb	\$493.00

\*PN 31533 and PN 31534 must be installed together to form the Conduit Adapter Kit

\*\*\*These load cells have 30ft or 35ft of cable and trimmed outputs and are used in many batch plants

### Dimensions

Rated Capacity	A	B	C	D	E
lb/in					
25 to 300	1/4-28 UNF	0.75	0.50	2.00	2.50
500 to 1,500	1/2-20 UNF	1.00	0.75	2.00	2.50
2,000 to 2,500	1/2-20 UNF	1.25	1.00	2.00	2.50
3,000	1/2-20 UNF	1.25	1.00	3.00	4.00
5,000 to 10,000	3/4-16 UNF	1.25	1.00	3.00	4.00
15,000	1-12 UNF	1.50	1.25	4.00	5.50
20,000	1 1/4-12 UNF	2.25	2.00	5.00	7.00

### Interchangeable Products

ARTECH™

**20210 (1-14 UNF)** (15,000 lb thread is 1-12 UNF for Rice Lake model)

### Weigh Module Available

RICE LAKE WEIGHING SYSTEMS  
**ITCM Isolated  
Tension Cell Mount**

### Specifications

**Full Scale Output:**

3.0 mV/V

**Output Resistance:**

350 (± 3) ohm

**Input Resistance:**

385 (± 5) ohm

**Material/Finish:**

High-alloy steel, nickel plated

**Temperature:**

Compensated range  
14 °F to 104 °F (-10 °C to 40 °C)  
Operating range  
0 °F to 150 °F (-18 °C to 65 °C)

**Seal Type:**

Environmentally sealed, IP67

**Safe Overload:**

150% full scale

**Rated Excitation:**

5 to 10 VDC (15 V maximum)

**Combined Error:**

0.02% full scale

**Insulation Resistance:**

5,000 megohm

**Cable Length:**

20 ft  
30 ft (pn 17044 and 17045)  
35 ft (pn 21356)

**Cable Diameter:**

0.200 in  
Polyurethane jacket

**Cable Color Code:**

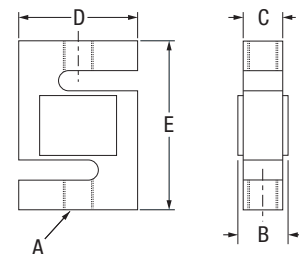
Red +Excitation  
Black -Excitation  
Green +Signal  
White -Signal

**Warranty:**

Two-year limited

**Approvals:**

NTEP 90-158  
cFMus





Stainless Steel, Environmentally Sealed, NTEP Certified 1:10,000 Class III L Single Cell, IP67



Picture is a representation of actual product.

## Approvals



## Order Information

Load Rating	Part #	Est. Weight	Price
<b>NTEP Certified</b>			
100 lb	46511	2 lb	\$312.00
250 lb	46503	2 lb	\$312.00
300 lb	181826	2 lb	\$312.00
500 lb	46504	2 lb	\$312.00
750 lb	46505	2 lb	\$312.00
1,000 lb	46506	2 lb	\$312.00
2,500 lb	46507	2 lb	\$312.00
3,000 lb	46508	4 lb	\$345.00
5,000 lb	46509	4 lb	\$503.00
10,000 lb	46510	4 lb	\$525.00
<b>Non-NTEP Certified</b>			
50 lb	17013	2 lb	\$312.00
15,000 lb	158375	7 lb	\$715.00
20,000 lb	158376	13 lb	\$948.00
<b>Conduit Adapter Kit* (must be factory installed to maintain warranty)</b>			
3/8-24 nipple	31533*	1 lb	\$37.00
3/8-24 to 1/4-18 NPT	31534*	1 lb	\$37.00

\* PN 31533 and PN 31534 must be installed together to form the Conduit Adapter Kit

## Dimensions

Rated Capacity	A	B	C	D	E
lb/in					
50 to 300	1/4-28 UNF	0.65	0.46	2.00	2.40
500 to 1,000	1/2-20 UNF	0.90	0.71	2.00	2.40
2,500	1/2-20 UNF	1.15	0.96	2.00	2.40
3,000	1/2-20 UNF	1.15	0.96	3.00	3.90
5,000	3/4-16 UNF	1.15	0.96	3.00	3.90
10,000	3/4-16 UNF	1.40	1.21	3.00	3.90
15,000	1-14 UNS	1.63	1.46	3.44	5.50
20,000	1 1/4-12 UNF	1.88	1.68	4.44	7.00

## Interchangeable Products

VPG® REVERE  
**9363**  
 ARTECH®  
**20210**

## Weigh Module Available

RICE LAKE WEIGHING SYSTEMS  
**ITCM Isolated  
 Tension Cell Mount**

## Specifications

## Full Scale Output:

3.0 (± 0.008) mV/V

## Output Resistance:

350 (± 3.5) ohm

## Input Resistance:

390 (± 15) ohm

## Material/Finish:

Stainless steel

## Temperature:

Compensated range

14 °F to 104 °F (-10 °C to 40 °C)

Operating range

0 °F to 150 °F (-18 °C to 65 °C)

## Seal Type:

Environmentally sealed, IP67

## Safe Overload:

150% full scale

## Rated Excitation:

5 to 10 VDC (15 V maximum)

## Combined Error:

0.03% full scale

## Insulation Resistance:

5,000 megohm

## Cable Length:

20 ft

## Cable Color Code:

Red +Excitation

Black -Excitation

Green +Signal

White -Signal

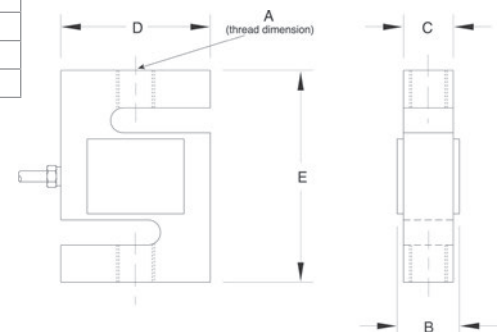
## Warranty:

Two-year limited

## Approvals:

NTEP CC 98-078

cFMus Approved



# RL2000ST

Stainless Steel, Environmentally Sealed, NTEP Certified 1:10,000 Class III Single Cell, IP67



Picture is a representation of actual product.

## Approvals



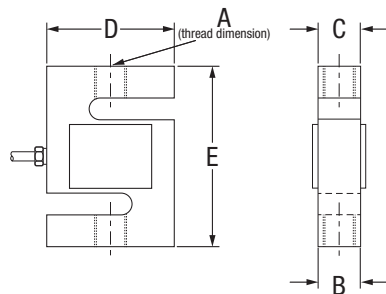
## Order Information

Load Rating	Part #	Est. Weight	Price
50 lb	72741	2 lb	\$334.00
100 lb	72742	2 lb	\$334.00
200 lb	72743	2 lb	\$334.00
250 lb	72744	2 lb	\$334.00
300 lb	72745	2 lb	\$334.00
500 lb	72746	2 lb	\$334.00
750 lb	72747	2 lb	\$334.00
1,000 lb	72748	2 lb	\$334.00
1,500 lb	72749	2 lb	\$334.00
2,000 lb	72750	2 lb	\$334.00
2,500 lb	72751	2 lb	\$334.00
3,000 lb	72752	4 lb	\$440.00
5,000 lb	72753	4 lb	\$545.00
<b>Conduit Adapter Kit* (must be factory installed to maintain warranty)</b>			
3/8-24 nipple	31533*	1 lb	\$37.00
3/8-24 to 1/4-18 NPT	31534*	1 lb	\$37.00

\*PN 31533 and PN 31534 must be installed together to form the Conduit Adapter Kit.

## Dimensions

Rated Capacity	A	B	C	D	E
50 to 300	1/4-28 UNF	0.65	0.46	2.00	2.40
500 to 1,000	1/2-20 UNF	0.90	0.71	2.00	2.40
1,500 to 2,500	1/2-20 UNF	1.15	0.96	2.00	2.40
3,000	1/2-20 UNF	1.15	0.96	3.00	3.90
5,000	3/4-16 UNF	1.15	0.96	3.00	3.90



## Specifications

**Full Scale Output:**

3.0 mV/V

**Output Resistance:**

350 (± 3.5) ohm

**Input Resistance:**

430 (± 60) ohm

**Material/Finish:**

Stainless steel

**Temperature:**

Compensated range

14 °F to 104 °F (-10 °C to 40 °C)

Operating range

0 °F to 150 °F (-18 °C to 65 °C)

**Seal Type:**

Environmentally sealed, IP67

**Safe Overload:**

150% full scale

**Rated Excitation:**

5 to 10 VDC (15 V maximum)

**Combined Error:**

0.03% full scale

**Insulation Resistance:**

5,000 megohm

**Cable Length:**

20 ft

**Cable Diameter:**

0.190 in polyurethane jacket

**Cable Color Code:**

Red +Excitation

Black -Excitation

Green +Signal

White -Signal

**Warranty:**

Two-year limited

**Approvals:**

NTEP 03-007

FM



Picture is a representation of actual product.

**Approvals**



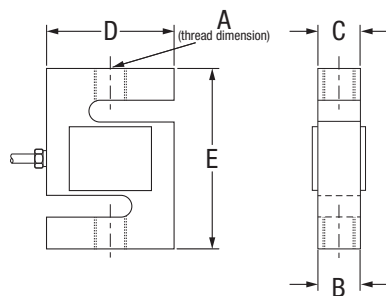
**Order Information**

Load Rating	Part #	Est. Weight	Price
250 lb	21402	2 lb	\$290.00
500 lb	21403	2 lb	\$290.00
750 lb	21404	2 lb	\$290.00
1,000 lb	21405	2 lb	\$290.00
1,500 lb	21406	2 lb	\$290.00
2,000 lb	21407	3 lb	\$290.00
2,500 lb	21408	4 lb	\$290.00
3,000 lb	21409	3 lb	\$334.00
5,000 lb	21410	4 lb	\$466.00
10,000 lb	21411	5 lb	\$466.00
15,000 lb	21412	7 lb	\$588.00
20,000 lb	21413	16 lb	\$927.00
<b>Conduit Adapter Kit* (must be factory installed to maintain warranty)</b>			
3/8-24 nipple	31533*	1 lb	\$37.00
3/8-24 to 1/4-18 NPT	31534*	1 lb	\$37.00

\*PN 31533 and PN 31534 must be installed together to form the Conduit Adapter Kit

**Dimensions**

Rated Capacity	A	B	C	D	E
lb/in					
250	3/8-24 UNF	0.75	0.50	2.00	3.00
500 to 2,000	1/2-20 UNF	1.00	0.75	2.00	3.00
2,500 to 3,000	1/2-20 UNF	1.25	1.00	2.00	3.00
5,000	3/4-16 UNF	1.25	1.00	3.00	4.25
10,000	3/4-16 UNF	1.25	1.00	3.50	4.75
15,000	1-14 UNS	1.50	1.25	4.00	5.50
20,000	1 1/4-12 UNF	2.25	2.00	5.00	7.00



**Interchangeable Products**

- VPG® CELTRON  
**STC**
- VPG® SENSORTRONICS®  
**60001**

**Weigh Module Available**

- RICE LAKE WEIGHING SYSTEMS  
**ITCM Isolated  
Tension Cell Mount**

**Specifications**

- Full Scale Output:**  
3.0 mV/V
- Output Resistance:**  
350 (± 3) ohm
- Input Resistance:**  
385 (± 5) ohm
- Material/Finish:**  
High-alloy steel, nickel plated
- Temperature:**  
Compensated range  
14 °F to 104 °F (-10 °C to 40 °C)  
Operating range  
0 °F to 150 °F (-18 °C to 65 °C)
- Seal Type:**  
Environmentally sealed, IP67
- Safe Overload:**  
150% full scale
- Rated Excitation:**  
5 to 10 VAC/DC (15 V maximum)
- Combined Error:**  
0.02% full scale
- Insulation Resistance:**  
5,000 megohm
- Cable Length:**  
20 ft
- Cable Diameter:**  
0.200 in polyurethane jacket
- Cable Color Code:**  
Red +Excitation  
Black -Excitation  
Green +Signal  
White -Signal
- Warranty:**  
Two-year limited
- Approvals:**  
cFMus  
NTEP 91-046

# RL20001HE

Stainless Steel, Welded Seal, NTEP Certified 1:5,000 Class III/1:10,000 Class IIII Single Cell, IP68



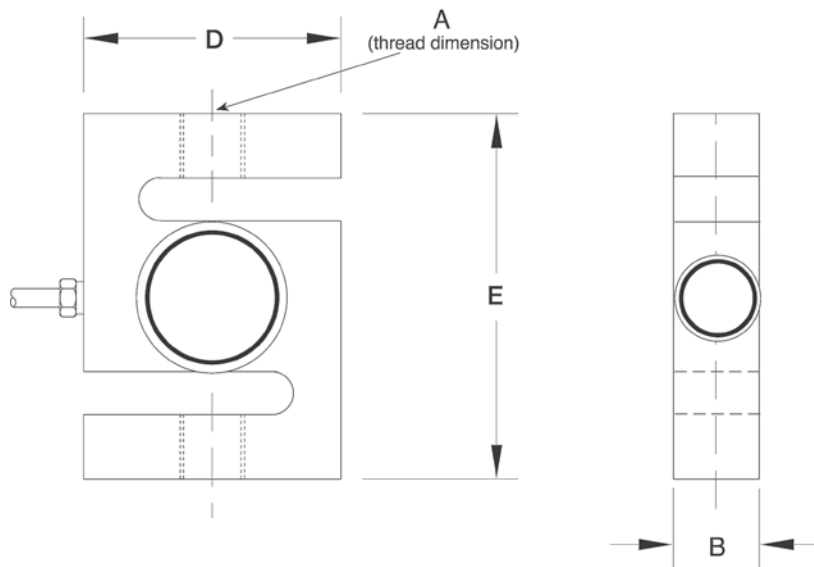
Picture is a representation of actual product.

**Approvals****Order Information**

Load Rating	Part #	Est. Weight	Price
<b>NTEP Certified</b>			
500 lb	46469	2 lb	\$900.00
750 lb	46470	2 lb	\$900.00
1,000 lb	46471	2 lb	\$900.00
1,500 lb	46472	2 lb	\$900.00
2,000 lb	46473	2 lb	\$900.00
2,500 lb	46474	2 lb	\$900.00
3,000 lb	46475	2 lb	\$900.00
5,000 lb	46476	5 lb	\$1,205.00
<b>Non-NTEP Certified</b>			
10,000 lb	36292	5 lb	\$1,205.00

**Dimensions**

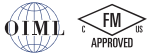
Rated Capacity	A	B	D	E
lb/in				
500 to 3,000	1/2-20 UNF	1.00	2.00	3.00
5,000 to 10,000	3/4-16 UNF	1.00	3.50	4.75

**Interchangeable Products**VPG® SENSORTRONICS®  
**60063****Weigh Module Available**RICE LAKE WEIGHING SYSTEMS  
**ITCM HE Isolated  
Tension Cell Mount****Specifications****Full Scale Output:**  
2.0 mV/V**Bridge Resistance:**  
350 ohm, nominal**Material/Finish:**  
Stainless steel**Temperature:**  
Compensated range  
14 °F to 104 °F (-10 °C to 40 °C)  
Operating range  
0 °F to 150 °F (-18 °C to 65 °C)**Seal Type:**  
Welded-seal, IP68**Safe Overload:**  
150% full scale**Rated Excitation:**  
5 to 10 VDC (15 V maximum)**Combined Error:**  
0.02% full scale**Insulation Resistance:**  
5,000 megohm**Cable Length:**  
20 ft**Cable Diameter:**  
0.200 in polyurethane jacket**Cable Color Code:**  
Red +Excitation  
Black -Excitation  
Green +Signal  
White -Signal**Warranty:**  
Two-year limited**Approvals:**  
cFMus  
NTEP 98-071



Picture is a representation of actual product.

**Approvals**



**Order Information**

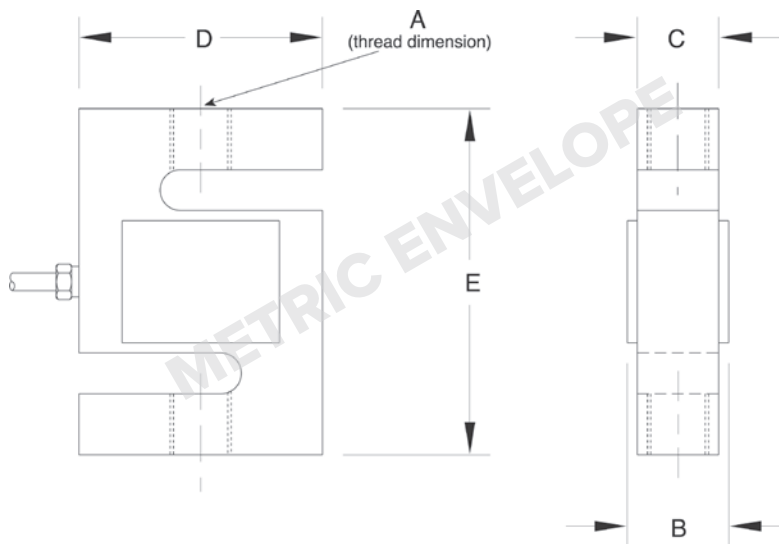
Load Rating	Part #	Est. Weight	Price
250 kg	31254	2 lb	\$312.00
500 kg	31255	2 lb	\$312.00
1,000 kg	31256	2 lb	\$312.00
2,500 kg	31257	3 lb	\$487.00

**Dimensions**

Rated Capacity	A	B	C	D	E
kg/mm					
250 to 1,000	M12 × 1.75-6H	25.4	19.1	50.8	76.0
2,500	M20 × 1.5-6H	31.8	25.4	76.2	108.0

**Specifications**

- Full Scale Output:**  
3.0 mV/V ± 0.25%
- Bridge Resistance:**  
350 ohm, nominal
- Material/Finish:**  
Alloy steel
- Temperature:**  
Operating range  
0 °F to 150 °F (-18 °C to 65 °C)
- Seal Type:**  
Environmentally sealed, IP67
- Safe Overload:**  
150% full scale
- Rated Excitation:**  
5 to 10 VAC/DC (15V maximum)
- Combined Error:**  
0.02% full scale
- Insulation Resistance:**  
5,000 megohm
- Cable Length:**  
6 m
- Cable Diameter:**  
0.200 in polyurethane jacket
- Cable Color Code:**  
Red +Excitation  
Black -Excitation  
Green +Signal  
White -Signal
- Warranty:**  
Two-year limited
- Approvals:**  
cFMus  
OIML R60/1991-GB-95-09



# RL32022

Alloy Steel, Environmentally Sealed, OIML C3, IP67

LOAD CELLS /  
WEIGH MODULES



Picture is a representation of actual product.

### Approvals



### Order Information

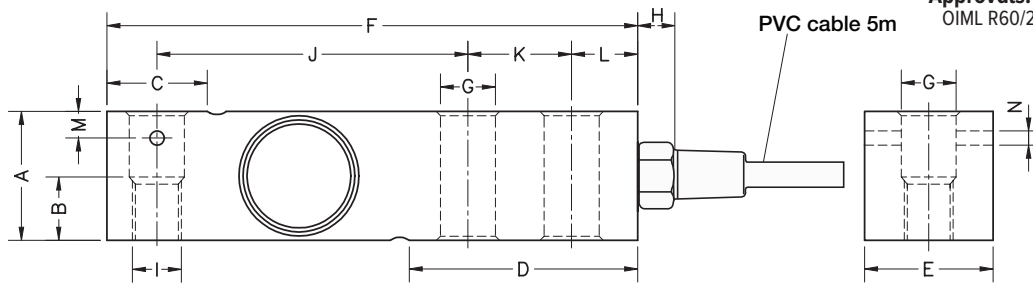
Load Rating	Part #	Est. Weight	Price
300 kg	211630	0.9 kg	\$312.00
500 kg	211631	0.9 kg	\$312.00
750 kg	211632	0.9 kg	\$312.00
1,000 kg	211633	0.9 kg	\$312.00
1,500 kg	211634	0.9 kg	\$312.00
2,000 kg	211635	0.9 kg	\$312.00

### Dimensions

Rated Capacity	A	B	C	D	E	F	G	H	I	J	K	L	M	N
kg/mm														
300 to 2,000	31.5	15.0	34.6	56.0	31.5	130.0	13.5	18.0	M12	76.2	25.4	15.8	6.5	3.5

### Specifications

- Full Scale Output:**  
2.0 mV/V ± 0.05%  
mV/V/ohm calibration
- Output Resistance:**  
350 (± 3) ohm
- Input Resistance:**  
400 (± 20) ohm
- Material/Finish:**  
Alloy steel, nickel plated
- Temperature:**  
Compensated range  
-14 °F to 104 °F (-10 °C to 40 °C)  
Operating range  
0 °F to 150 °F (-18 °C to 65 °C)
- Seal Type:**  
Environmentally sealed, IP67
- Safe Overload:**  
150% full scale
- Safe Sideload:**  
100% full scale
- Rated Excitation:**  
10 VDC (15 V maximum)
- Combined Error:**  
0.017% full scale
- Insulation Resistance:**  
> 5,000 megohm
- Deflection:**  
0.2 to 0.4 mm
- Cable Length:**  
5 m
- Cable Color Code:**  
Green +Excitation  
Black -Excitation  
Red +Signal  
White -Signal
- Warranty:**  
Two-year limited
- Approvals:**  
OIML R60/2017-A-NL1-22.11







Picture is a representation of actual product.

**Approvals**



**Order Information**

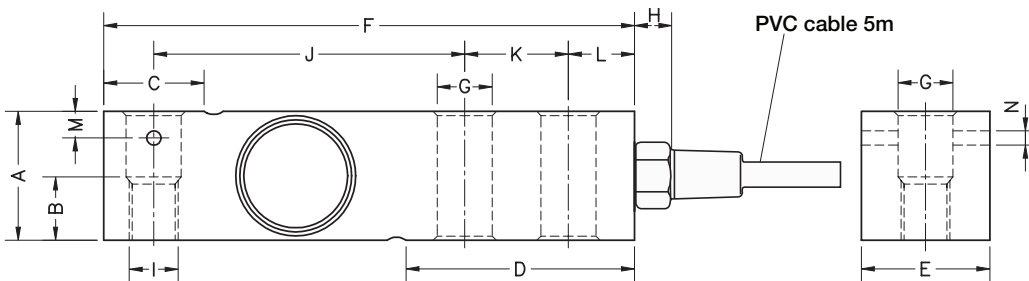
Load Rating	Part #	Est. Weight	Price
300 kg	211636	0.9 kg	\$350.00
500 kg	211637	0.9 kg	\$350.00
750 kg	211638	0.9 kg	\$350.00
1,000 kg	211639	0.9 kg	\$350.00
1,500 kg	211640	0.9 kg	\$350.00
2,000 kg	211641	0.9 kg	\$350.00
3,000 kg	211642	2.2 kg	\$445.00
5,000 kg	211643	2.2 kg	\$445.00

**Dimensions**

Rated Capacity	A	B	C	D	E	F	G	H	I	J	K	L	M	N
kg/mm														
300 to 2,000	31.5	15.0	34.6	56.0	31.5	130.0	13.5	18.0	M12	76.2	25.4	15.8	6.5	3.5
3,000 to 5,000	48.0	-	37.0	76.0	41.5	171.5	20.5	18.0	-	75.2	38.1	19.0	-	-

**Specifications**

- Full Scale Output:**  
2.0 mV/V ± 0.05%  
mV/V/ohm calibration
- Output Resistance:**  
350 (± 3) ohm
- Input Resistance:**  
400 (± 20) ohm
- Material/Finish:**  
Stainless steel
- Temperature:**  
Compensated range  
-14 °F to 104 °F (-10 °C to 40 °C)  
Operating range  
0 °F to 150 °F (-18 °C to 65 °C)
- Seal Type:**  
Hermetically sealed, IP69K
- Safe Overload:**  
150% full scale
- Safe Sideload:**  
100% full scale
- Rated Excitation:**  
10 VDC (15 V maximum)
- Combined Error:**  
0.017% full scale
- Insulation Resistance:**  
> 5,000 megohm
- Deflection:**  
0.2 to 0.4 mm
- Cable Length:**  
5 m
- Cable Color Code:**  
Green +Excitation  
Black -Excitation  
Red +Signal  
White -Signal
- Warranty:**  
Two-year limited
- Approvals:**  
OIML



# RL32018

Alloy Steel, Environmentally Sealed, NTEP Certified 1:5,000 Class III Multiple Cell, IP66

LOAD CELLS /  
WEIGH MODULES



Picture is a representation of actual product.

### Approvals



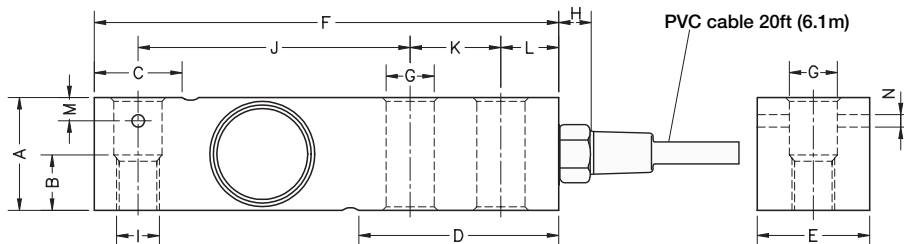
### Order Information

Load Rating	Part #	Est. Weight	Price
<b>NTEP Certified</b>			
500 lb	189151	2 lb	\$312.00
1,000 lb	189152	2 lb	\$312.00
1,500 lb	191732	2 lb	\$312.00
2,000 lb	189153	2 lb	\$312.00
2,500 lb	189154	2 lb	\$312.00
3,000 lb	189155	5 lb	\$312.00
4,000 lb	189156	5 lb	\$312.00
5,000 lb SE	189157	5 lb	\$312.00
5,000 lb LE	189158	5 lb	\$398.00
10,000 lb	189159	5 lb	\$398.00
<b>Non-NTEP Certified</b>			
250 lb	189150	2 lb	\$312.00
15,000 lb*	189160	10 lb	\$683.00
20,000 lb*	189161	10 lb	\$683.00
<b>With Overbraided Cable</b>			
2,500 lb	209166	10 lb	\$350.00
20,000 lb*	197558	10 lb	\$768.00

SE=small envelope; LE=large envelope  
\* Pending NTEP

### Dimensions

Rated Capacity	A	B	C	D	E	F	G	H	I	J	K	L	M	N
lb/in														
250 to 500	1.00	0.59	0.96	2.20	1.24	5.12	0.53	0.70	1/2-20 UNF	3.00	1.00	0.62	0.25	0.13
1,000 to 5,000 SE	1.24	0.59	0.96	2.20	1.24	5.12	0.53	0.70	1/2-20 UNF	3.00	1.00	0.62	0.25	0.13
5,000 LE to 10,000	1.50	-	1.45	2.99	1.50	6.75	0.80	0.70	3/4-16 UNF	3.75	1.50	0.75	-	-
15,000 to 20,000	2.00	-	-	4.00	2.00	8.75	1.06	-	1-14 UNS	4.90	2.00	1.00	-	-



### Interchangeable Products

VPG® SENSORTRONICS®  
**65023A**  
VPG® CELTRON  
**SQB**

### Weigh Module Available

RICE LAKE WEIGHING SYSTEMS  
**RL50210TA**  
RICE LAKE WEIGHING SYSTEMS  
**RL1800 Series**

### Specifications

- Full Scale Output:**  
3.0 mV/V ± 0.05%  
mV/V/ohm calibration
- Output Resistance:**  
350 (± 3) ohm
- Input Resistance:**  
400 (± 20) ohm
- Material/Finish:**  
Alloy steel, nickel plated
- Temperature:**  
Compensated range  
-14 °F to 104 °F (-10 °C to 40 °C)  
Operating range  
0 °F to 150 °F (-18 °C to 65 °C)
- Seal Type:**  
Environmentally sealed, IP66
- Safe Overload:**  
150% full scale
- Safe Sideload:**  
100% full scale
- Rated Excitation:**  
10 VDC (15 V maximum)
- Combined Error:**  
0.017% full scale
- Insulation Resistance:**  
> 5,000 megohm
- Deflection:**  
0.2 to 0.4 mm
- Cable Length:**  
20 ft
- Cable Color Code:**  
Red +Excitation  
Black -Excitation  
Green +Signal  
White -Signal
- Warranty:**  
Two-year limited
- Approvals:**  
NTEP 18-106  
cFMus FM18US0307X

# RL32018 Coated

Alloy Steel, Environmentally Sealed, NTEP Certified 1:5,000 Class III Multiple Cell, IP66



Picture is a representation of actual product.

### Approvals



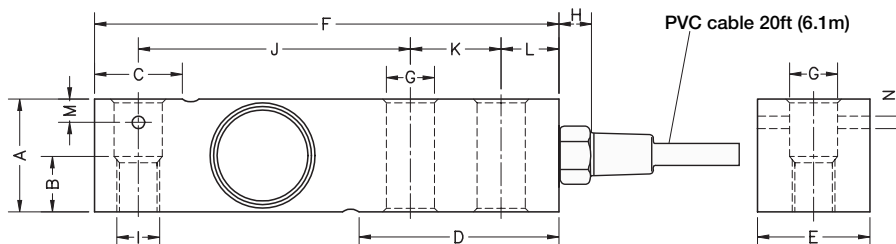
### Order Information

Load Rating	Part #	Est. Weight	Price
<b>NTEP Certified</b>			
1,000 lb	207842	2 lb	\$344.00
1,500 lb	207843	2 lb	\$344.00
2,000 lb	207844	2 lb	\$344.00
2,500 lb	207845	2 lb	\$344.00
3,000 lb	207846	5 lb	\$344.00
4,000 lb	207847	5 lb	\$344.00
5,000 lb SE	207848	5 lb	\$344.00
5,000 lb LE	207850	5 lb	\$434.00
10,000 lb	207851	5 lb	\$434.00
<b>Non-NTEP Certified</b>			
15,000 lb	207852	10 lb	\$715.00
20,000 lb	207853	10 lb	\$715.00

SE=small envelope; LE=large envelope

### Dimensions

Rated Capacity	A	B	C	D	E	F	G	H	I	J	K	L	M	N
1,000 to 5,000 SE	1.24	0.59	0.96	2.20	1.24	5.12	0.53	0.70	1/2-20 UNF	3.00	1.00	0.62	0.25	0.13
5,000 LE to 10,000	1.50	-	1.45	2.99	1.50	6.75	0.80	0.70	3/4-16 UNF	3.75	1.50	0.75	-	-
15,000 to 20,000	2.00	-	-	4.00	2.00	8.75	1.06	-	1-14 UNS	4.90	2.00	1.00	-	-



### Interchangeable Products

- VPG® SENSORTRONICS®
- 65023A
- VPG® CELTRON
- SQB

### Weigh Module Available

- RICE LAKE WEIGHING SYSTEMS
- RL50210TA
- RICE LAKE WEIGHING SYSTEMS
- RL1800 Series

### Specifications

- Full Scale Output:** 3.0 mV/V ± 0.05% mV/V/ohm calibration
- Output Resistance:** 350 (± 3) ohm
- Input Resistance:** 400 (± 20) ohm
- Material/Finish:** Alloy steel, nickel plated, coated
- Temperature:** Compensated range -14 °F to 104 °F (-10 °C to 40 °C) Operating range 0 °F to 150 °F (-18 °C to 65 °C)
- Seal Type:** Environmentally sealed, IP66
- Safe Overload:** 150% full scale
- Safe Sideload:** 100% full scale
- Rated Excitation:** 10 VDC (15 V maximum)
- Combined Error:** 0.017% full scale
- Insulation Resistance:** > 5,000 megohm
- Deflection:** 0.2 to 0.4 mm
- Cable Length:** 20 ft
- Cable Color Code:** Red +Excitation Black -Excitation Green +Signal White -Signal
- Warranty:** Two-year limited
- Approvals:** cFMus NTEP 18-106

LOAD CELLS / WEIGH MODULES

SINGLE-ENDED BEAM  
**RL32018S**

Stainless Steel, Environmentally Sealed, NTEP Certified 1:5,000 Class III Multiple Cell, IP66

LOAD CELLS /  
WEIGH MODULES



Picture is a representation of actual product.

Approvals



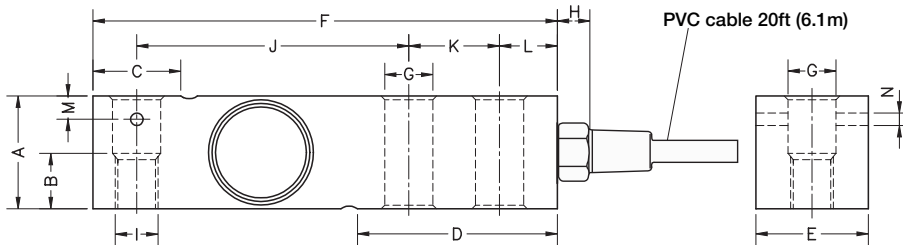
Order Information

Load Rating	Part #	Est. Weight	Price
<b>NTEP Certified</b>			
500 lb	<b>189163</b>	3 lb	\$344.00
1,000 lb	<b>189164</b>	3 lb	\$344.00
2,000 lb	<b>189165</b>	3 lb	\$344.00
2,500 lb	<b>189166</b>	3 lb	\$344.00
4,000 lb	<b>189167</b>	3 lb	\$344.00
5,000 lb SE	<b>189168</b>	3 lb	\$344.00
5,000 lb LE	<b>189169</b>	5 lb	\$440.00
10,000 lb	<b>189170</b>	5 lb	\$440.00
<b>Non-NTEP Certified</b>			
250 lb	<b>189162</b>	3 lb	\$344.00
15,000 lb*	<b>189171</b>	10 lb	\$736.00
20,000 lb*	<b>189172</b>	10 lb	\$736.00

SE=small envelope; LE=large envelope  
\*Pending NTEP

Dimensions

Rated Capacity	A	B	C	D	E	F	G	H	I	J	K	L	M	N
lb/in														
250 to 500	1.00	0.59	0.96	2.20	1.24	5.12	0.53	0.70	1/2-20 UNF	3.00	1.00	0.62	0.25	0.13
1,000 to 5,000 SE	1.24	0.59	0.96	2.20	1.24	5.12	0.53	0.70	1/2-20 UNF	3.00	1.00	0.62	0.25	0.13
5,000 LE to 10,000	1.50	-	1.45	2.99	1.50	6.75	0.80	0.70	3/4-16 UNF	3.75	1.50	0.75	-	-
15,000 to 20,000	2.00	-	-	4.00	2.00	8.75	1.06	-	1-14 UNS	4.90	2.00	1.00	-	-



Interchangeable Products

- RICE LAKE WEIGHING SYSTEMS  
**RL35023S**
- VPG® SENSORTRONICS®  
**65023S**
- VPG® SENSORTRONICS®  
**65023SS**
- VPG® CELTRON  
**SQB-HSS**

Weigh Module Available

- RICE LAKE WEIGHING SYSTEMS  
**RL50210TA**
- RICE LAKE WEIGHING SYSTEMS  
**RL1800 Series**

Specifications

- Full Scale Output:**  
3.0 mV/V ± 0.05%  
mV/V/ohm calibration
- Output Resistance:**  
350 (± 3) ohm
- Input Resistance:**  
400 (± 20) ohm
- Material/Finish:**  
Stainless steel
- Temperature:**  
Compensated range  
14 °F to 104 °F (-10 °C to 40 °C)  
Operating range  
0 °F to 150 °F (-18 °C to 65 °C)
- Seal Type:**  
Environmentally sealed, IP66
- Safe Overload:**  
150% full scale
- Rated Excitation:**  
10 VDC (15 V maximum)
- Combined Error:**  
0.017% full scale
- Insulation Resistance:**  
> 5,000 megohm
- Deflection:**  
0.2 to 0.4 mm
- Cable Length:**  
20 ft
- Cable Color Code:**  
Red +Excitation  
Black -Excitation  
Green +Signal  
White -Signal
- Warranty:**  
Two-year limited
- Approvals:**  
cFMus  
NTEP 18-106



Picture is a representation of actual product.

**Approvals**



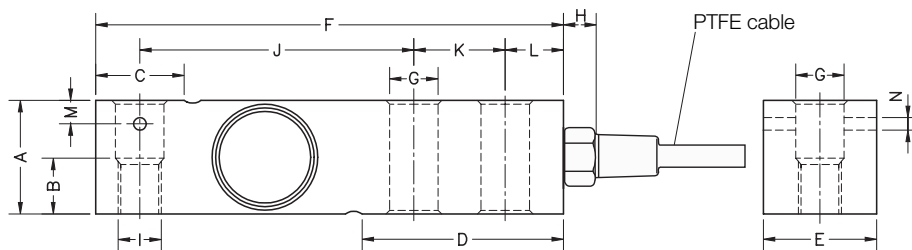
**Order Information**

Load Rating	Part #	Est. Weight	Price
1,000 lb	190654	3 lb	\$371.00
2,000 lb	190655	3 lb	\$371.00
2,500 lb	190656	3 lb	\$371.00
4,000 lb	190657	3 lb	\$371.00
5,000 lb SE	190658	3 lb	\$371.00
5,000 lb LE	190659	5 lb	\$418.00
10,000 lb	190660	5 lb	\$418.00

SE=small envelope; LE=large envelope

**Dimensions**

Rated Capacity	A	B	C	D	E	F	G	H	I	J	K	L	M	N
lb/in														
1,000 to 5,000 SE	1.24	0.59	0.96	2.20	1.25	5.12	0.53	0.70	1/2-20 UNF	3.00	1.00	0.62	0.25	0.13
5,000 LE to 10,000	1.50	—	1.45	2.99	1.50	6.75	0.80	0.70	3/4-16 UNF	3.75	1.50	0.75	—	—



**Interchangeable Products**

- RICE LAKE WEIGHING SYSTEMS  
**RL32018S-HE**
- VPG® SENSORTRONICS®  
**65083**
- VPG® CELTRON  
**SQB-HSS**

**Weigh Module Available**

- RICE LAKE WEIGHING SYSTEMS  
**RL1800 Series**

**Specifications**

- Full Scale Output:**  
3.0 mV/V ± 0.05%  
mV/V/ohm calibration
- Output Resistance:**  
350 (± 3) ohm
- Input Resistance:**  
400 (± 20) ohm
- Material/Finish:**  
Stainless steel
- Temperature:**  
Compensated range  
-14 °F to 104 °F (-10 °C to 40 °C)  
Operating range  
0 °F to 150 °F (-18 °C to 65 °C)
- Seal Type:**  
Hermetically sealed, IP69K
- Safe Overload:**  
150% full scale
- Safe Sideload:**  
100% full scale
- Rated Excitation:**  
10 VDC (15 V maximum)
- Combined Error:**  
0.017% full scale
- Insulation Resistance:**  
> 5,000 megohm
- Deflection:**  
0.2 to 0.4 mm
- Cable Length:**  
20 ft PTFE cable
- Cable Color Code:**  
Red +Excitation  
Black -Excitation  
Green +Signal  
White -Signal
- Warranty:**  
Two-year limited
- Approvals:**  
cFMus

# RL32018S-HE

Stainless Steel, Hermetically Sealed, NTEP Certified 1:5,000 Class III Multiple Cell, IP69K

LOAD CELLS /  
WEIGH MODULES



Picture is a representation of actual product.

### Approvals



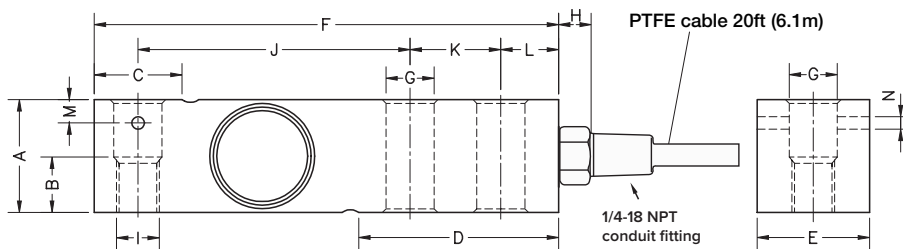
### Order Information

Load Rating	Part #	Est. Weight	Price
500 lb	189175	3 lb	\$429.00
1,000 lb	189176	3 lb	\$429.00
2,000 lb	189178	3 lb	\$429.00
2,500 lb	189179	3 lb	\$429.00
4,000 lb	189181	3 lb	\$429.00
5,000 lb SE	208667	3 lb	\$429.00
5,000 lb LE	189182	5 lb	\$477.00
10,000 lb	189183	5 lb	\$477.00

SE=small envelope; LE=large envelope

### Dimensions

Rated Capacity	A	B	C	D	E	F	G	H	I	J	K	L	M	N
lb/in														
500 to 5,000 SE	1.24	0.59	0.96	2.20	1.24	5.12	0.53	0.70	1/2-20 UNF	3.00	1.00	0.62	0.25	0.13
5,000 to 10,000	1.50	0.75	1.45	2.99	1.50	6.75	0.80	0.70	3/4-16 UNF	3.75	1.50	0.75	-	-



### Interchangeable Products

RICE LAKE WEIGHING SYSTEMS  
**RL32018S-P** (non-NTEP)  
 VPG® SENSORTRONICS®  
**65083**  
 VPG® CELTRON  
**SQB-HSS**

### Weigh Module Available

RICE LAKE WEIGHING SYSTEMS  
**RL1800 Series**

### Specifications

- Full Scale Output:**  
3.0 mV/V ± 0.05%  
mV/V/ohm calibration
- Output Resistance:**  
350 (± 3) ohm
- Input Resistance:**  
400 (± 20) ohm
- Material/Finish:**  
Stainless steel
- Temperature:**  
Compensated range  
14 °F to 104 °F (-10 °C to 40 °C)  
Operating range  
0 °F to 200 °F (-18 °C to 93 °C)
- Seal Type:**  
Hermetically sealed, IP69K
- Safe Overload:**  
150% full scale
- Safe Sideload:**  
100% full scale
- Rated Excitation:**  
5 to 10 VDC (15 V maximum)
- Combined Error:**  
0.017% full scale
- Insulation Resistance:**  
> 5,000 megohm
- Cable Length:**  
20 ft PTFE cable
- Cable Color Code:**  
Red +Excitation  
Black -Excitation  
Green +Signal  
White -Signal
- Warranty:**  
Two-year limited
- Approvals:**  
cFMus  
NTEP 18-106



SINGLE-ENDED BEAM  
**RL32019S-HE**

Stainless Steel, Hermetically Sealed, NTEP Certified 1:5,000 Class III Multiple Cell, IP69K



Picture is a representation of actual product.

**Approvals**



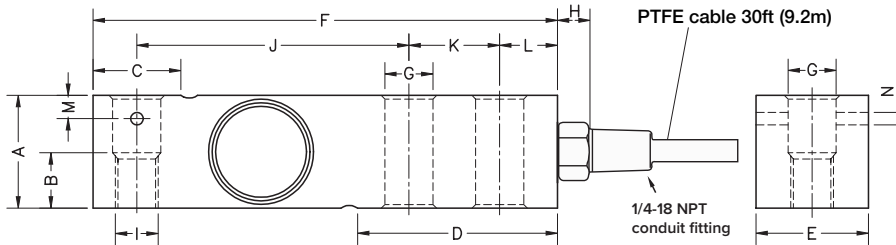
**Order Information**

Load Rating	Part #	Est. Weight	Price
1,000 lb	<b>191629</b>	4 lb	\$482.00
2,500 lb	<b>191630</b>	4 lb	\$482.00
4,000 lb	<b>191631</b>	4 lb	\$482.00
5,000 lb SE	<b>208668</b>	4 lb	\$482.00
5,000 lb LE	<b>191632</b>	6 lb	\$535.00
10,000 lb	<b>191633</b>	6 lb	\$535.00

SE=small envelope; LE=large envelope

**Dimensions**

Rated Capacity lb/in	A	B	C	D	E	F	G	H	I	J	K	L	M	N
1,000 to 5,000 SE	1.24	0.59	0.96	2.20	1.24	5.12	0.53	0.70	1/2-20 UNF	3.00	1.00	0.62	0.25	0.13
5,000 LE to 10,000	1.50	0.75	1.45	2.99	1.50	6.75	0.80	0.70	3/4-16 UNF	3.75	1.50	0.75	—	—



**Interchangeable Products**

RICE LAKE WEIGHING SYSTEMS  
**RL35082**  
 VPG® SENSORTRONICS®  
**65083S** (20 ft cable)

**Specifications**

**Full Scale Output:**

2.0 mV/V ± 0.05%  
 mV/V/ohm calibration

**Output Resistance:**

350 (± 3) ohm

**Input Resistance:**

400 (± 20) ohm

**Material/Finish:**

Stainless steel

**Temperature:**

Compensated range  
 14 °F to 104 °F (-10 °C to 40 °C)  
 Operating range  
 0 °F to 200 °F (-18 °C to 93 °C)

**Seal Type:**

Hermetically sealed, IP69K

**Safe Overload:**

150% full scale

**Rated Excitation:**

5 to 10 VDC (15 V maximum)

**Combined Error:**

0.017% full scale

**Insulation Resistance:**

> 5,000 megohm

**Deflection:**

0.2 to 0.4 mm

**Cable Length:**

30 ft PTFE cable

**Cable Color Code:**

Red +Excitation  
 Black -Excitation  
 Green +Signal  
 White -Signal

**Warranty:**

Two-year limited

**Approvals:**

cFMus  
 NTEP 18-106

LOAD CELLS /  
 WEIGH MODULES

# RL32218S-HE

Stainless Steel, Hermetically Sealed, NTEP Certified 1:5,000 Class III Multiple Cell, IP69K

LOAD CELLS /  
WEIGH MODULES



Picture is a representation of actual product.

### Approvals



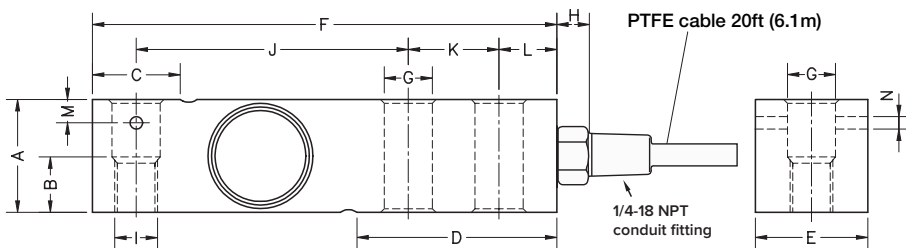
### Order Information

Load Rating	Part #	Est. Weight	Price
1,000 lb	191634	3 lb	\$429.00
2,500 lb	191635	3 lb	\$429.00
4,000 lb	191636	3 lb	\$429.00
5,000 lb SE	208669	3 lb	\$429.00
5,000 lb LE	191637	5 lb	\$477.00
10,000 lb	191638	5 lb	\$477.00

SE=small envelope; LE=large envelope

### Dimensions

Rated Capacity	A	B	C	D	E	F	G	H	I	J	K	L	M	N
1,000 to 5,000 SE	1.24	0.59	0.96	2.20	1.24	5.12	0.53	0.70	1/2-20 UNF	3.00	1.00	0.62	0.25	0.13
5,000 LE to 10,000	1.50	0.75	1.45	2.99	1.50	6.75	0.80	0.70	3/4-16 UNF	3.75	1.50	0.75	-	-



### Interchangeable Products

RICE LAKE WEIGHING SYSTEMS  
**RL35082**  
VPG® SENSORTRONICS®  
**65083S**

### Weigh Module Available

RICE LAKE WEIGHING SYSTEMS  
**RL50210TA**  
RICE LAKE WEIGHING SYSTEMS  
**RL1800 Series**

### Specifications

#### Full Scale Output:

2.0 mV/V ± 0.05%  
mV/V/ohm calibration

#### Output Resistance:

350 (± 3) ohm

#### Input Resistance:

400 (± 20) ohm

#### Material/Finish:

Stainless steel

#### Temperature:

Compensated range  
14 °F to 104 °F (-10 °C to 40 °C)  
Operating range  
0 °F to 200 °F (-18 °C to 93 °C)

#### Seal Type:

Hermetically sealed, IP69K

#### Safe Overload:

150% full scale

#### Rated Excitation:

5 to 10 VDC (15 V maximum)

#### Combined Error:

0.017% full scale

#### Insulation Resistance:

> 5,000 megohm

#### Cable Length:

20 ft PTFE cable

#### Cable Color Code:

Red +Excitation  
Black -Excitation  
Green +Signal  
White -Signal

#### Warranty:

Two-year limited

#### Approvals:

cFMus  
NTEP 18-106



Picture is a representation of actual product.

**Approvals**

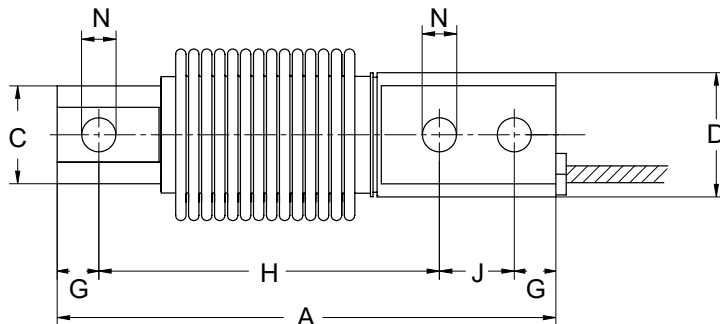
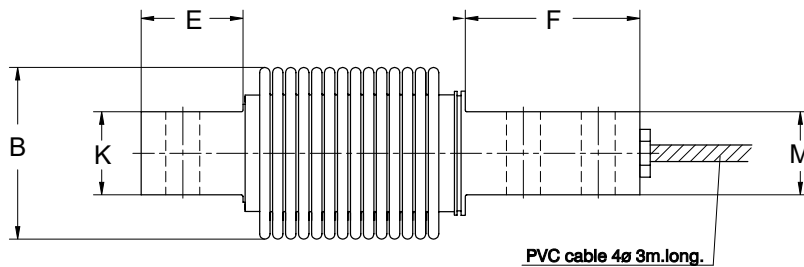


**Order Information**

Load Rating	Part #	Est. Weight	Price
<b>NTEP Certified</b>			
5 kg	188691	2 lb	\$524.00
10 kg	188692	2 lb	\$524.00
20 kg	188693	2 lb	\$524.00
30 kg	188694	2 lb	\$524.00
50 kg	188702	2 lb	\$524.00
75 kg	188695	2 lb	\$524.00
100 kg	188696	2 lb	\$524.00
200 kg	188697	2 lb	\$524.00
250 kg	188698	2 lb	\$524.00
300 kg	188699	2 lb	\$524.00
500 kg	188700	2 lb	\$524.00

**Dimensions**

Rated Capacity	A	B	C	D	E	F	G	H	J	K	M	N
kg/mm												
5 to 500	120.0	41.5	23.5	30.0	24.5	42.0	10.0	82.0	18.0	20.0	20.0	8.2



**Interchangeable Products**

RICE LAKE WEIGHING SYSTEMS  
**RLHBB**

**Specifications**

**Full Scale Output:**

2.0 mV/V ± 10%  
mV/V/ohm calibration

**Output Resistance:**

350 (± 3) ohm

**Input Resistance:**

400 (± 20) ohm

**Material/Finish:**

Stainless steel

**Temperature:**

Compensated range  
14 °F to 104 °F (-10 °C to 40 °C)  
Operating range  
0 °F to 150 °F (-18 °C to 65 °C)

**Seal Type:**

Hermetically sealed, IP68/IP69K

**Safe Overload:**

150% full scale

**Rated Excitation:**

5 to 10 VDC (15 V maximum)

**Combined Error:**

0.017% full scale

**Insulation Resistance:**

> 5,000 megohm

**Deflection:**

0.2 to 0.4 mm

**Cable Length:**

3 m

**Cable Material:**

PVC

**Cable Color Code:**

Blue +Excitation  
Black -Excitation  
White +Signal  
Red -Signal  
Green +Sense  
Yellow -Sense

**Warranty:**

Two-year limited

**Approvals:**

NTEP 18-107  
OIML R60/2017-A-NL1-19.27  
cFMus FM18US0307X

# RL30000I

Alloy Steel, Environmentally Sealed, NTEP Certified 1:5,000 IIIIL Class III Multiple Cell, IP67

LOAD CELLS /  
WEIGH MODULES



Picture is a representation of actual product.

### Approvals



### Order Information

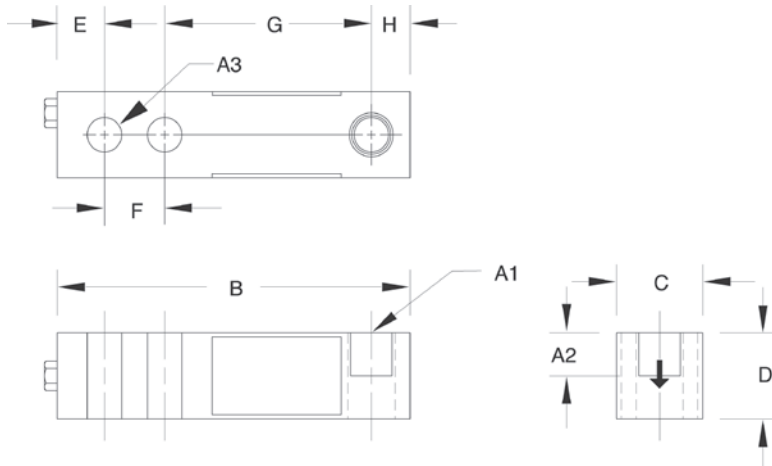
Load Rating	Part #	Est. Weight	Price
<b>NTEP Certified</b>			
1,000 lb	21491	3 lb	\$312.00
2,000 lb	21493	3 lb	\$312.00
2,500 lb	21495	3 lb	\$312.00
3,000 lb	21497	3 lb	\$312.00
4,000 lb	21498	3 lb	\$312.00
5,000 lb SE	21500	3 lb	\$312.00
5,000 lb LE	21501	5 lb	\$398.00
10,000 lb	21503	5 lb	\$398.00
<b>Non-NTEP Certified</b>			
250 lb	17341	3 lb	\$312.00
500 lb	17342	3 lb	\$312.00
20,000 lb	17109	10 lb	\$684.00
<b>Conduit Adapter Kit (must be factory installed to maintain warranty)</b>			
3/8-24 nipple	31533*	1 lb	\$37.00
3/8-24 to 1/4-18 NPT	31534*	1 lb	\$37.00

SE=small envelope; LE=large envelope

\* PN 31533 and PN 31534 must be installed together to form the Conduit Adapter Kit

### Dimensions

Rated Capacity	A1	A2	A3	B	C	D	E	F	G	H
250 to 5,000 SE	1/2-20 UNF	0.60	0.53	5.12	1.25	1.25	0.62	1.00	3.00	0.50
5,000 LE to 10,000	3/4-16 UNF	0.75	0.78	6.75	1.50	1.50	0.75	1.50	3.75	0.75
20,000	1-14 UNF	1.00	1.03	8.75	2.00	2.00	1.00	2.00	4.75	1.00



### Interchangeable Products

VPG® REVERE

5123

VPG® TEDEA-HUNTLEIGH

3411

ARTECH®

30310

### Weigh Module Available

RICE LAKE WEIGHING SYSTEMS

RL50210TA

RICE LAKE WEIGHING SYSTEMS

RL1800 Series

### Specifications

#### Full Scale Output:

3.0 mV/V

#### Bridge Resistance:

350 ohm, nominal

#### Material/Finish:

High-alloy steel, nickel plated

#### Temperature:

Compensated range

14 °F to 104 °F (-10 °C to 40 °C)

Operating range

0 °F to 150 °F (-18 °C to 65 °C)

#### Seal Type:

Environmentally sealed, IP67

#### Safe Overload:

150% full scale

#### Safe Sideload:

100% full scale

#### Rated Excitation:

5 to 10 VAC/DC (15V maximum)

#### Combined Error:

0.02% full scale

#### Insulation Resistance:

5,000 megohm

#### Deflection at Capacity:

250 to 1,000 lb: 0.013 in

2,000 to 3,000 lb: 0.015 in

4,000 to 5,000 lb: 0.025 in

10,000 lb: 0.032 in

20,000 lb: 0.038 in

#### Cable Length:

20 ft

#### Cable Diameter:

0.200 in polyurethane jacket

#### Cable Color Code:

Red +Excitation

Black -Excitation

Green +Signal

White -Signal

#### Warranty:

Two-year limited

#### Approvals:

cFMus

NTEP 98-043

SINGLE-ENDED BEAM  
**RL30002 Thru Hole**

Alloy Steel, Environmentally Sealed, NTEP Certified 1:5,000 IIII Class III Multiple Cell, IP67



Picture is a representation of actual product.

**Approvals**



**Order Information**

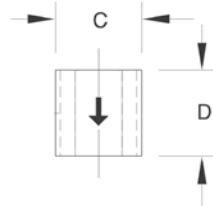
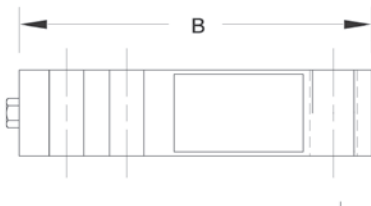
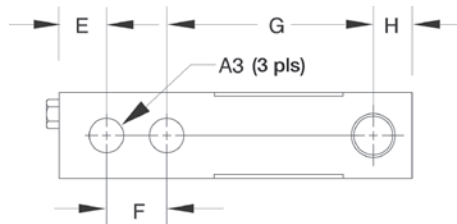
Load Rating	Part #	Est. Weight	Price
<b>NTEP Certified</b>			
1,000 lb	21521	3 lb	\$312.00
2,000 lb	21522	3 lb	\$312.00
2,500 lb	21523	3 lb	\$312.00
4,000 lb	21524	3 lb	\$312.00
5,000 lb SE	21525	3 lb	\$312.00
<b>Conduit Adapter Kit (must be factory installed to maintain warranty)</b>			
3/8-24 nipple	31533*	1 lb	\$37.00
3/8-24 to 1/4-18 NPT	31534*	1 lb	\$37.00

SE=small envelope

\* PN 31533 and PN 31534 must be installed together to form the Conduit Adapter Kit

**Dimensions**

Rated Capacity	A3	B	C	D	E	F	G	H
lb/in								
1,000 to 5,000 SE	0.53	5.12	1.25	1.25	0.62	1.00	3.00	0.50



**Interchangeable Products**

VPG® TEDEA-HUNTLEIGH  
**3410**  
 ARTECH®  
**30210**

**Specifications**

**Full Scale Output:**  
3.0 mV/V

**Bridge Resistance:**  
350 ohm, nominal

**Material/Finish:**  
High-alloy steel, nickel plated

**Temperature:**  
Compensated range  
14 °F to 104 °F (-10 °C to 40 °C)  
Operating range  
0 °F to 150 °F (-18 °C to 65 °C)

**Seal Type:**  
Environmentally sealed, IP67

**Safe Overload:**  
150% full scale

**Safe Sideload:**  
100% full scale

**Rated Excitation:**  
5 to 10 VDC (15 V maximum)

**Combined Error:**  
0.02% full scale

**Insulation Resistance:**  
5,000 megohm

**Deflection at Capacity:**  
1,000 lb: 0.013 in  
2,000 to 3,000 lb: 0.015 in  
4,000 to 5,000 lb: 0.025 in

**Cable Length:**  
20 ft

**Cable Diameter:**  
0.200 in polyurethane jacket

**Cable Color Code:**  
Red +Excitation  
Black -Excitation  
Green +Signal  
White -Signal

**Warranty:**  
Two-year limited

**Approvals:**  
cFMus  
NTEP 98-043

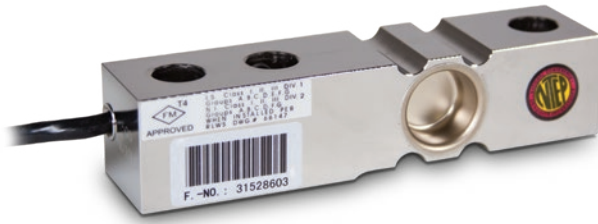
LOAD CELLS / WEIGH MODULES

# RLH35

Stainless Steel, Welded Seal, NTEP Certified 1:5,000 Class III L Multiple Cell, IP67



LOAD CELLS / WEIGH MODULES



Picture is a representation of actual product.

**Approvals**

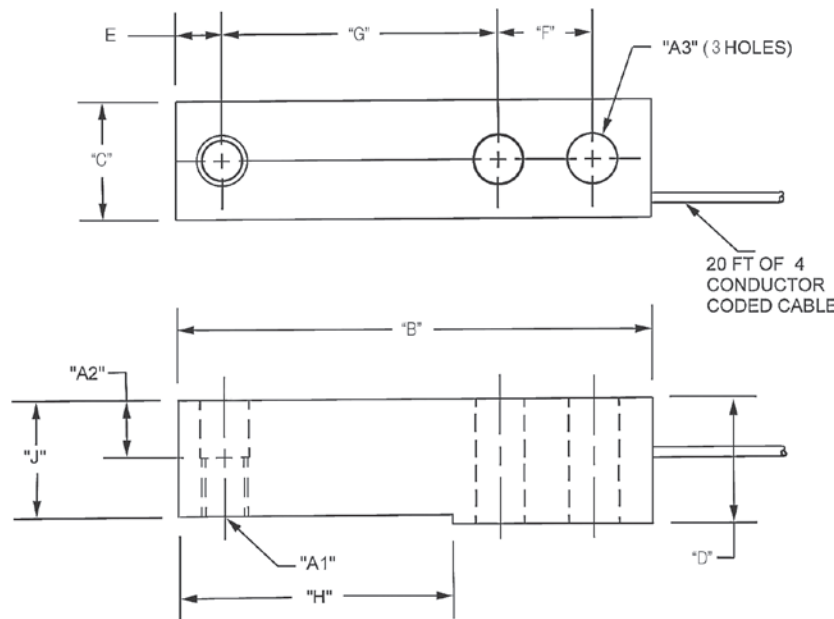


**Order Information**

Load Rating	Part #	Est. Weight	Price
500 lb	106038	4 lb	\$371.00

**Dimensions**

Rated Capacity	A1	A2	A3	C	D	B	E	F	G	H	J
500 lb/in	1/2-20 UNF	0.62	0.53	1.21	1.19	5.12	0.50	1.00	3.00	2.85	1.120



**Interchangeable Products**

- HBK®
- H35**
- METTLER TOLEDO®
- 500 lb-8 ft cable**
- TB601019-008
- 1,000 lb-20 ft cable**
- TB601016-020
- 2,500 lb-8 ft cable**
- TB601016-008

**Specifications**

- Full Scale Output:**  
3.0 mV/V
- Output Resistance:**  
350 ohm, nominal
- Input Resistance:**  
385 ohm, nominal
- Material/Finish:**  
Stainless steel
- Temperature:**  
Compensated range  
14 °F to 104 °F (-10 °C to 40 °C)  
Operating range  
0 °F to 150 °F (-18 °C to 65 °C)
- Seal Type:**  
Welded-seal, IP67
- Safe Overload:**  
150% full scale
- Rated Excitation:**  
5 to 10 VDC (15 V maximum)
- Combined Error:**  
0.02% full scale
- Insulation Resistance:**  
5,000 megohm
- Deflection at Capacity:**  
0.02 in
- Cable Length:**  
20 ft
- Cable Diameter:**  
0.190 in polyurethane jacket
- Cable Color Code:**  
Green +Excitation  
Black -Excitation  
White +Signal  
Red -Signal  
Yellow Shield
- Warranty:**  
Two-year limited
- Approvals:**  
FM  
NTEP 06-023





Picture is a representation of actual product.

### Approvals



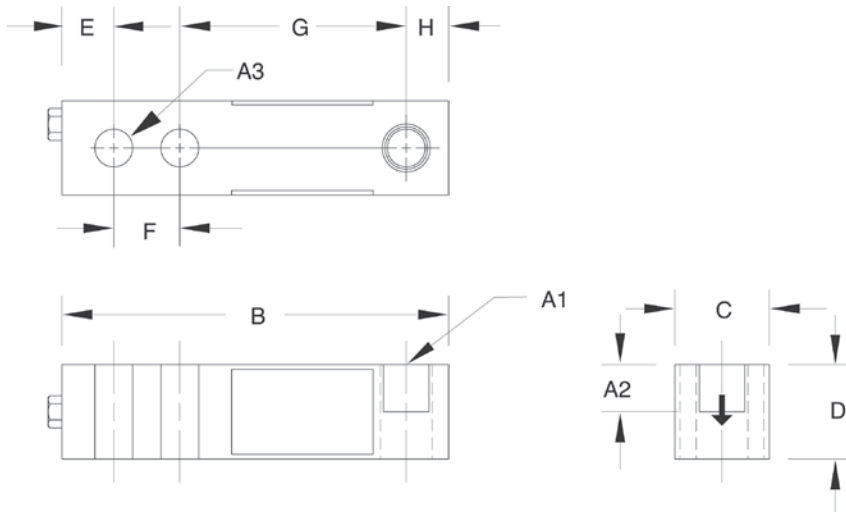
### Order Information

Load Rating	Part #	Est. Weight	Price
<b>20 ft Cables</b>			
250 lb	17386	3 lb	\$344.00
500 lb	17387	3 lb	\$344.00
1,000 lb	17189	3 lb	\$344.00
2,500 lb	17191	3 lb	\$344.00
4,000 lb	17193	3 lb	\$344.00
5,000 lb	17194	5 lb	\$439.00
10,000 lb	17195	5 lb	\$439.00
<b>30 ft Cables</b>			
4,000 lb	95562	3 lb	\$365.00
<b>Conduit Adapter Kit (must be factory installed to maintain warranty)</b>			
3/8-24 nipple	31533*	1 lb	\$37.00
3/8-24 to 1/4-18NPT	31534*	1 lb	\$37.00

\* PN 31533 and PN 31534 must be installed together to form the Conduit Adapter Kit

### Dimensions

Rated Capacity	A1	A2	A3	B	C	D	E	F	G	H
lb/in										
250 to 4,000	1/2-20 UNF	0.60	0.53	5.12	1.25	1.25	0.62	1.00	3.00	0.50
5,000 to 10,000	3/4-16 UNF	0.75	0.78	6.75	1.50	1.50	0.75	1.50	3.75	0.75



### Interchangeable Products

VPG® REVERE

9123

ARTECH®

SS30310

### Weigh Module Available

RICE LAKE WEIGHING SYSTEMS

RL50210TA

RICE LAKE WEIGHING SYSTEMS

RL1800 Series

### Specifications

**Full Scale Output:**

3.0 mV/V

**Output Resistance:**

349 to 355 ohm

**Input Resistance:**

343 to 357 ohm

**Material/Finish:**

Stainless steel

**Temperature:**

Operating range:  
0 °F to 150 °F (-18 °C to 65 °C)

**Seal Type:**

Environmentally sealed, IP67

**Safe Overload:**

150% full scale

**Safe Sideload:**

100% full scale

**Rated Excitation:**

5 to 10 VDC (15 V maximum)

**Nonlinearity:**

0.03% full scale

**Hysteresis:**

0.02% full scale

**Insulation Resistance:**

5,000 megohm

**Deflection at Capacity:**

250 to 1,000 lb: 0.013 in  
2,000 to 3,000 lb: 0.015 in  
4,000 to 5,000 lb: 0.025 in  
10,000 lb: 0.32 in

**Cable Length:**

20 ft

30 ft

**Cable Diameter:**

0.200 in polyurethane jacket

**Cable Color Code:**

Red +Excitation  
Black -Excitation  
Green +Signal  
White -Signal

**Warranty:**

Two-year limited

**Approvals:**

cFMus

SINGLE-ENDED BEAM  
**RL32018S-T**

Stainless Steel, Hermetically Sealed, NTEP Certified, 1:5,000 Class III Multiple Cell, IP69K

LOAD CELLS /  
 WEIGH MODULES



Picture is a representation of actual product.

Approvals

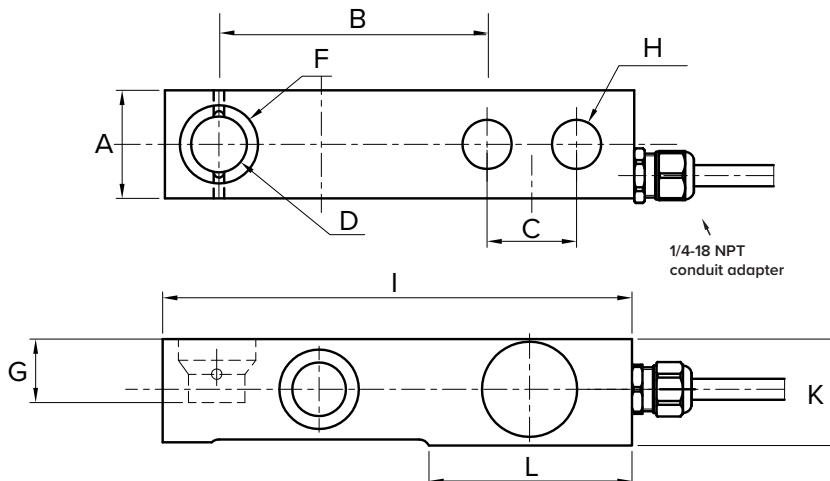


Order Information

Load Rating	Part #	Est. Weight	Price
<b>15 ft Cable</b>			
500 lb	189189	3 lb	\$477.00
1,250 lb	189190	3 lb	\$477.00
2,500 lb	189191	3 lb	\$477.00
5,000 lb	189192	5 lb	\$630.00
10,000 lb	189193	5 lb	\$758.00
<b>30 ft Cable</b>			
500 lb	191974	3 lb	\$503.00
1,250 lb	191975	3 lb	\$503.00
2,500 lb	191976	3 lb	\$503.00
5,000 lb	191977	5 lb	\$662.00
10,000 lb	191978	5 lb	\$790.00
<b>Replacement load pins</b>			
Rocker pin 500 to 2.5 K	108612	1 lb	\$85.00
Rocker pin 5 K	130408	1 lb	\$90.00
Rocker pin 10 K	131376	1 lb	\$130.00
O-ring (two per pin)	108202	1 lb	\$1.00

Dimensions

Rated Capacity	A	B	C	D	F	G	H	I	K	L
500 to 1,250	1.21	3.00	1.00	0.62	0.88	0.68	0.51	5.25	1.19	2.27
2,500	1.21	3.00	1.00	0.62	0.88	0.68	0.51	5.25	1.19	2.27
5,000	1.44	3.00	1.00	0.62	0.88	0.90	0.51	5.38	1.44	2.28
10,000	1.69	3.75	1.50	0.88	1.38	1.15	0.76	6.75	1.69	2.91



Interchangeable Products

- METTLER-TOLEDO®  
**TB600529-500 lb**
- METTLER-TOLEDO  
**TB600363-1,250 lb**
- METTLER-TOLEDO  
**TB600342-2,500 lb**
- METTLER-TOLEDO  
**TB600343-5,000 lb**
- METTLER-TOLEDO  
**TB600364-10,000 lb**
- HBK®  
**THC**

Weigh Module Available

RICE LAKE WEIGHING SYSTEMS  
**RLTM**

Specifications

- Full Scale Output:**  
 2.0 mV/V ± 0.05%  
 mV/V/ohm calibration
- Output Resistance:**  
 350 (± 3) ohm
- Input Resistance:**  
 400 (± 20) ohm
- Material/Finish:**  
 Stainless steel
- Temperature:**  
 Compensated range  
 14 °F to 104 °F (-10 °C to 40 °C)  
 Operating range  
 0 °F to 150 °F (-18 °C to 65 °C)
- Seal Type:**  
 Hermetically sealed, IP69K
- Safe Overload:**  
 150% full scale
- Rated Excitation:**  
 5 to 10 VDC
- Combined Error:**  
 0.017% full scale
- Insulation Resistance:**  
 5,000 megohm
- Cable Length:**  
 15 ft  
 30 ft
- Cable Color Code:**  
 Green +Excitation  
 Black -Excitation  
 White +Signal  
 Red -Signal
- Warranty:**  
 Two-year limited
- Approvals:**  
 cFMus  
 NTEP 18-106

SINGLE-ENDED BEAM  
**RL35023S Coated**

Stainless Steel, Environmentally Sealed, NTEP Certified 1:5,000 Class III Multiple Cell, IP67



Picture is a representation of actual product.

**Approvals**



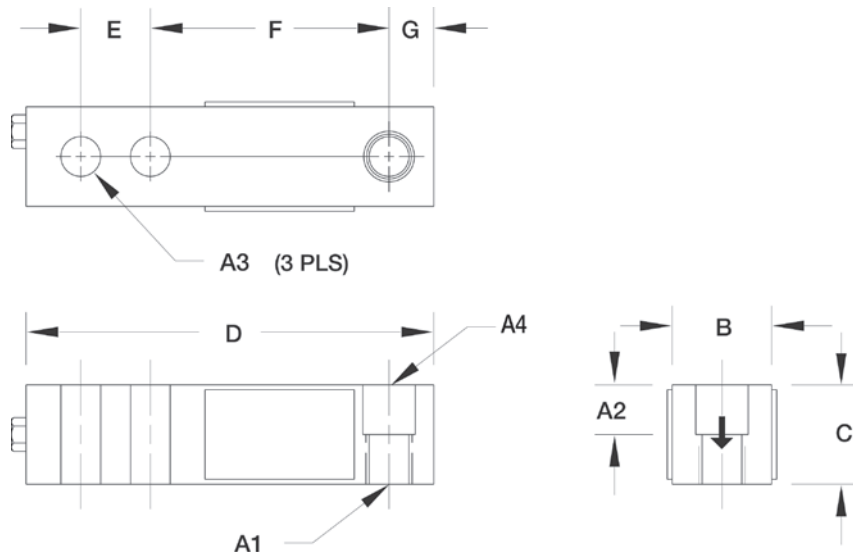
**Order Information**

Load Rating	Part #	Est. Weight	Price
1,000 lb	<b>182754</b>	3 lb	\$371.00
2,000 lb	<b>182755</b>	3 lb	\$371.00
2,500 lb	<b>182756</b>	3 lb	\$371.00
4,000 lb	<b>182757</b>	3 lb	\$371.00
5,000 lb	<b>182758</b>	3 lb	\$466.00
10,000 lb	<b>182759</b>	3 lb	\$466.00
<b>Conduit Adapter Kit (must be factory installed to maintain warranty)</b>			
3/8-24 nipple	<b>31533*</b>	1 lb	\$37.00
3/8-24 to 1/4-18 NPT	<b>31534*</b>	1 lb	\$37.00

\* PN 31533 and PN 31534 must be installed together to form the Conduit Adapter Kit

**Dimensions**

Rated Capacity	A1	A2	A3	A4	B	C	D	E	F	G
1,000 to 4,000	1/2-20 UNF	0.62	0.53	0.53 dia	1.25	1.25	5.12	1.00	3.00	0.50
5,000 to 10,000	3/4-16 UNF	0.75	0.78	0.78 dia	1.50	1.50	6.75	1.50	3.75	0.75



**Interchangeable Products**

- VPG® SENSORTRONICS®  
**65023S\***
- VPG® SENSORTRONICS  
**65023SS\***
- VPG® CELTRON  
**SQB-HSS\***

**Weigh Module Available**

- RICE LAKE WEIGHING SYSTEMS  
**RL50210TA**
- RICE LAKE WEIGHING SYSTEMS  
**RL1800 Series**

\*Cells are uncoated

**Specifications**

- Full Scale Output:** 3.0 mV/V
- Output Resistance:** 349 to 355 ohm
- Input Resistance:** 343 to 357 ohm
- Material/Finish:** Stainless steel, coated
- Temperature:** Compensated range 14 °F to 104 °F (-10 °C to 40 °C)  
Operating range 0 °F to 150 °F (-18 °C to 65 °C)
- Seal Type:** Environmentally sealed, IP67
- Safe Overload:** 150% full scale
- Safe Sideload:** 100% full scale
- Rated Excitation:** 5 to 10 VDC (15 V maximum)
- Combined Error:** 0.02% full scale
- Deflection at Capacity:** 500 to 4,000 lb: 0.017 to 0.025 in  
5,000 to 10,000 lb: 0.025 to 0.035 in
- Cable Length:** 20 ft
- Cable Diameter:** 0.200 in polyurethane jacket
- Cable Color Code:** Red +Excitation  
Black -Excitation  
Green +Signal  
White -Signal
- Insulation Resistance:** 5,000 megohm
- Warranty:** Two-year limited
- Approvals:** cFMus  
NTEP 94-134

LOAD CELLS / WEIGH MODULES

# RLHTO

Stainless Steel, Hermetically Sealed, IP66/68

LOAD CELLS /  
WEIGH MODULES



Picture is a representation of actual product.

### Approvals

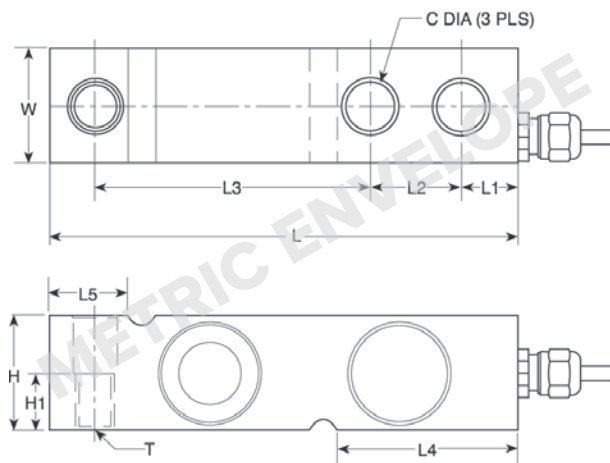


### Order Information

Load Rating	Part #	Est. Weight	Price
500 kg	31253	3 lb	\$514.00
1,000 kg	31250	3 lb	\$514.00
2,000 kg	31251	3 lb	\$514.00
5,000 kg	31252	5 lb	\$588.00

### Dimensions

Rated Capacity	C	H	H1	L	L1	L2	L3	L4	L5	T	W
kg/mm											
500 to 2,000	13.5	32.0	16.0	130.0	15.8	25.4	76.2	50.5	23.5	M12 x 1.75	32.0
5,000	20.5	48.0	—	171.5	19.0	38.1	95.3	70.0	37.0	—	36.5



### Interchangeable Products

VPG® TEDEA-HUNTLEIGH  
3510-OIML

### Weigh Module Available

RICE LAKE WEIGHING SYSTEMS  
1700 HE

### Specifications

**Full Scale Output:**

2.0 mV/V

**Output Resistance:**

350 (± 3) ohm

**Input Resistance:**

380 (± 10) ohm

**Material/Finish:**

Stainless steel

**Temperature:**

Operating range  
0 °F to 150 °F (-18 °C to 65 °C)

**Seal Type:**

Hermetically sealed, IP66/68

**Safe Overload:**

150% full scale

**Safe Sideload:**

100% full scale

**Rated Excitation:**

5 to 10 VDC (15 V maximum)

**Combined Error:**

0.02% applied load

**Insulation Resistance:**

2,000 megohm

**Deflection at Capacity:**

0.4 mm

**Cable Length:**

5 m

**Cable Diameter:**

0.220 in polyurethane jacket

**Cable Color Code:**

Blue +Excitation  
Black -Excitation  
White +Signal  
Red -Signal  
Green +Sense  
Grey -Sense

**Warranty:**

Two-year limited

**Approvals:**

cFMus



Picture is a representation of actual product.

### Approvals

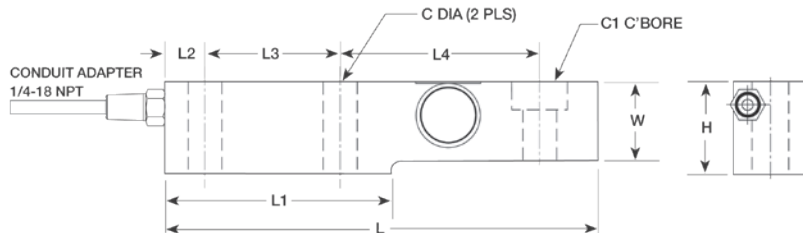


### Order Information

Load Rating	Part #	Est. Weight	Price
1,000 lb	<b>34310</b>	5 lb	\$636.00
2,000 lb	<b>34311</b>	5 lb	\$636.00
5,000 lb	<b>34312</b>	6 lb	\$636.00
10,000 lb	<b>34313</b>	10 lb	\$758.00
Options			
Load cell button (1 K to 5 K)	<b>26112</b>	—	\$37.00

### Dimensions

Rated Capacity	C	C1	H	L	L1	L2	L3	L4	W
lb/in									
1,000 to 5,000	0.53	0.68 thru C'Bore 1.19 x 0.47 DP	1.88	8.00	4.00	0.75	2.50	3.88	1.44
10,000	0.88	1.00 thru C'Bore 1.63 x 0.62 DP	2.75	9.25	4.62	0.81	2.63	4.88	1.88



### Interchangeable Products

VPG® REVERE

**SSB**

HBK®

**SB3**

ARTECH®

**SS30610**

### Weigh Module Available

RICE LAKE WEIGHING SYSTEMS

**RL1900 Series**

### Specifications

#### Full Scale Output:

2.0 mV/V

#### Bridge Resistance:

350 ohm, nominal

#### Material/Finish:

Stainless steel

#### Temperature:

Compensated range

14 °F to 104 °F (-10 °C to 40 °C)

Operating range

0 °F to 150 °F (-18 °C to 65 °C)

#### Seal Type:

Welded-seal, IP67

#### Safe Overload:

150% full scale

#### Safe Sideload:

100% full scale

#### Rated Excitation:

5 to 10 VDC (15 V maximum)

#### Combined Error:

0.02% full scale

#### Non-repeatability:

0.01% full scale

#### Insulation Resistance:

5,000 megohm

#### Cable Length:

15 ft

#### Cable Diameter:

0.200 in polyurethane jacket

#### Cable Color Code:

Green +Excitation

Black -Excitation

White +Signal

Red -Signal

#### Warranty:

Two-year limited

#### Approvals:

cFMus

NTEP 96-053

# RLSB250/RLSB250T

Stainless Steel, Welded Seal, NTEP Certified 1:5,000 Class III Multiple Cell, IP67

LOAD CELLS / WEIGH MODULES



Picture is a representation of actual product.

### Approvals

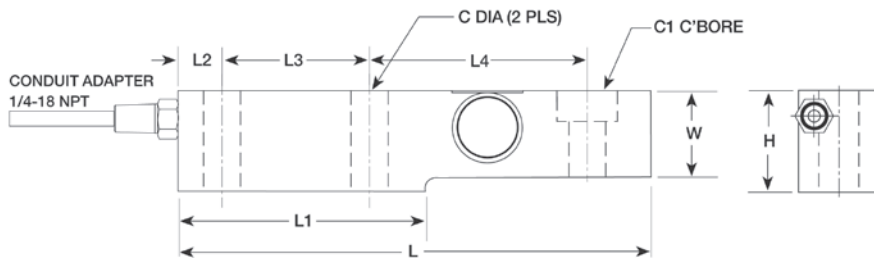


### Order Information

Load Rating	Part #	Est. Weight	Price
<b>Threaded</b>			
2,500 lb	116053	6 lb	\$636.00
5,000 lb	116054	6 lb	\$742.00
<b>Thru Hole</b>			
2,500 lb	34482	6 lb	\$636.00
10,000 lb	116055	10 lb	\$742.00
<b>Options</b>			
Load cell button	116084	—	\$11.00

### Dimensions

Rated Capacity	C	C1	H	L	L1	L2	L3	L4	T	W
2,500	0.53	1.20 x 0.75 DP	1.93	8.00	4.00	0.75	2.50	3.88	3/4-16 UNF	1.25
5,000	0.53	1.20 x 0.75 DP	1.93	8.00	4.00	0.75	2.50	3.88	3/4-16 UNF	1.45
10,000	—	1.20 x 0.75 DP	2.46	9.00	4.00	0.75	2.00	5.25	—	1.62



### Interchangeable Products

CARDINAL®  
**SB2500\***  
 \*No threads in load hole

### Specifications

- Full Scale Output:**  
2.0 mV/V
- Bridge Resistance:**  
350 ohm, nominal
- Material/Finish:**  
Stainless steel
- Temperature:**  
Compensated range  
14 °F to 104 °F (-10 °C to 40 °C)  
Operating range  
0 °F to 150 °F (-18 °C to 65 °C)
- Seal Type:**  
Welded-seal, IP67
- Safe Overload:**  
150% full scale
- Safe Sideload:**  
100% full scale
- Rated Excitation:**  
5 to 10 VDC (15 V maximum)
- Combined Error:**  
0.02% full scale
- Non-repeatability:**  
0.01% full scale
- Insulation Resistance:**  
5,000 megohm
- Cable Length:**  
15 ft - PN 34482  
20 ft
- Cable Diameter:**  
0.200 in polyurethane jacket
- Cable Color Code:**  
Green +Excitation  
Black -Excitation  
White +Signal  
Red -Signal
- Warranty:**  
Two-year limited
- Approvals:**  
cFMus  
NTEP 96-053





**Interchangeable Products**

- RICE LAKE WEIGHING SYSTEMS  
**RL60040SST**
- RICE LAKE WEIGHING SYSTEMS  
**RL50210** (alloy)

**Weigh Module Available**

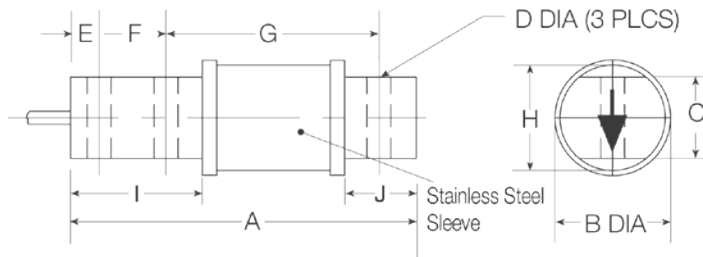
- RICE LAKE WEIGHING SYSTEMS  
**RL50219SS-TA**

**Dimensions**

Rated Capacity	A	B	C	D	E	F	G	H	I	J
lb/in										
25 to 500	2.81	1.30	0.62	0.26	0.25	0.50	1.81	1.00	1.00	0.50

**Order Information**

Load Rating	Part #	Est. Weight	Price
25 lb	<b>194014</b>	2 lb	\$450.00
50 lb	<b>194015</b>	2 lb	\$450.00
75 lb	<b>194016</b>	2 lb	\$450.00
100 lb	<b>194017</b>	2 lb	\$450.00
150 lb	<b>194018</b>	2 lb	\$450.00
250 lb	<b>194019</b>	2 lb	\$450.00
500 lb	<b>194020</b>	2 lb	\$450.00



**Specifications**

- Full Scale Output:**  
3.0 mV/V
- Output Resistance:**  
350 (± 3) ohm
- Input Resistance:**  
380 to 450 ohm
- Material/Finish:**  
Stainless steel
- Temperature:**  
Operating range  
0 °F to 150 °F (-18 °C to 65 °C)
- Seal Type:**  
Environmentally sealed, IP67
- Safe Overload:**  
150% full scale
- Rated Excitation:**  
5 to 10 VDC
- Nonlinearity:**  
0.03% full scale
- Hysteresis:**  
0.02% full scale
- Combined Error:**  
0.017% full scale
- Insulation Resistance:**  
5,000 megohm
- Cable Length:**  
20 ft
- Cable Color Code:**  
Red +Excitation  
Black -Excitation  
Green +Signal  
White -Signal
- Warranty:**  
Two-year limited

# RL50210

Alloy Steel, Environmentally Sealed, IP65

LOAD CELLS /  
WEIGH MODULES



Picture is a representation of actual product.

### Approvals

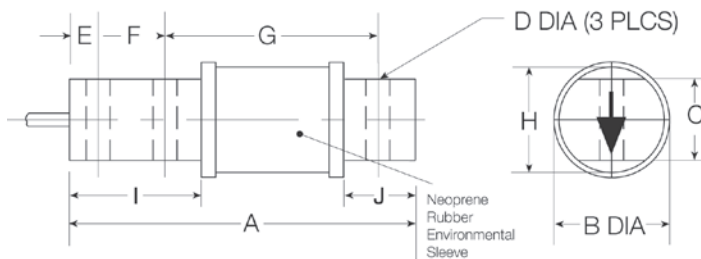


### Order Information

Load Rating	Part #	Est. Weight	Price
25 lb	17385	2 lb	\$260.00
50 lb	17380	2 lb	\$260.00
100 lb	17381	2 lb	\$260.00
150 lb	17382	2 lb	\$260.00
250 lb	17383	2 lb	\$260.00
500 lb	17384	2 lb	\$260.00

### Dimensions

Rated Capacity	A	B	C	D	E	F	G	H	I	J
lb/in										
25 to 500	2.81	1.30	0.62	0.26	0.25	0.50	1.81	1.00	1.00	0.50



### Interchangeable Products

RICE LAKE WEIGHING SYSTEMS

RL50219SS

VPG® SENSORTRONICS®

60040

ARTECH®

50210

VPG® REVERE

5503

### Weigh Module Available

RICE LAKE WEIGHING SYSTEMS

RL50210TA

### Specifications

**Full Scale Output:**

3.0 mV/V

**Output Resistance:**

349 to 355 ohm

**Input Resistance:**

360 to 450 ohm

**Material/Finish:**

High-alloy steel, nickel plated

**Temperature:**

Operating range

0 °F to 150 °F (-18 °C to 65 °C)

**Seal Type:**

Environmentally sealed with neoprene sleeve, IP65

**Safe Overload:**

150% full scale

**Rated Excitation:**

5 to 10 VDC (15 V maximum)

**Nonlinearity:**

0.03% full scale

**Hysteresis:**

0.02% full scale

**Insulation Resistance:**

5,000 megohm

**Deflection at Capacity:**

25 to 50 lb: 0.008 in

100 lb: 0.010 in

150 lb: 0.012 in

250 lb: 0.016 in

500 lb: 0.025 in

**Cable Length:**

20 ft

**Cable Diameter:**

0.200 in polyurethane jacket

**Cable Color Code:**

Red +Excitation

Black -Excitation

Green +Signal

White -Signal

**Warranty:**

Two-year limited

**Approvals:**

cFMus

Limited Stock Available

SINGLE-ENDED BEAM  
**RL60040SST**

Stainless Steel, Environmentally Sealed, IP65

LOAD CELLS / WEIGH MODULES



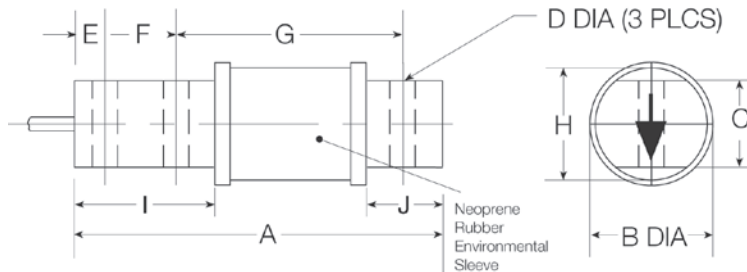
Picture is a representation of actual product.

**Order Information**

Load Rating	Part #	Est. Weight	Price
50 lb	101973	3 lb	\$450.00
250 lb	101977	3 lb	\$450.00

**Dimensions**

Rated Capacity	A	B	C	D	E	F	G	H	I	J
lb/in										
25 to 250	2.81	1.30	0.62	0.26	0.25	0.50	1.81	1.00	1.00	0.50



**Interchangeable Products**

RICE LAKE WEIGHING SYSTEMS

**RL50219SS**

VPG® SENSORTRONICS\*

**60040**

ARTECH\*\*

**50210**

VPG® REVERE\*

**5503**

**Weigh Module Available**

RICE LAKE WEIGHING SYSTEMS

**RL50210TA**

\*Alloy steel

**Specifications**

**Full Scale Output:**

3.0 mV/V

**Output Resistance:**

349 to 355 ohm

**Input Resistance:**

380 to 450 ohm

**Material/Finish:**

Stainless steel

**Temperature:**

Operating range  
0 °F to 150 °F (-18 °C to 65 °C)

**Seal Type:**

Environmentally sealed with neoprene sleeve, IP65

**Safe Overload:**

150% full scale

**Rated Excitation:**

5 to 10 VDC (15 V maximum)

**Nonlinearity:**

0.03% full scale

**Hysteresis:**

0.02% full scale

**Insulation Resistance:**

5,000 megohm

**Deflection at Capacity:**

25 to 50 lb: 0.008 in  
100 lb: 0.010 in  
150 lb: 0.012 in  
250 lb: 0.016 in  
500 lb: 0.025 in

**Cable Length:**

20 ft

**Cable Diameter:**

0.200 in polyurethane jacket

**Cable Color Code:**

Red +Excitation  
Black -Excitation  
Green +Signal  
White -Signal

**Warranty:**

Two-year limited

# RL40BBS

Alloy Steel, Environmentally Sealed, IP65

LOAD CELLS /  
WEIGH MODULES



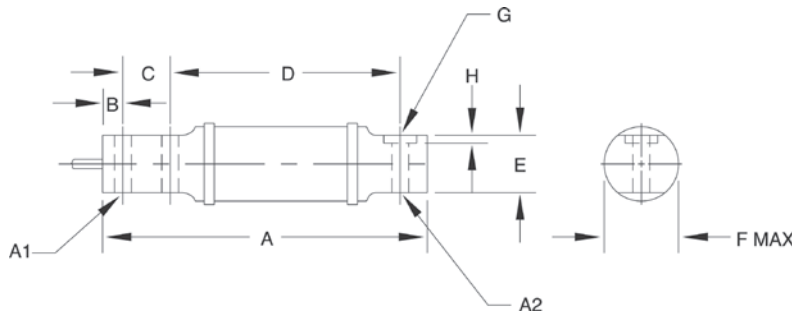
Picture is a representation of actual product.

## Order Information

Load Rating	Part #	Est. Weight	Price
50 lb	17395	3 lb	\$418.00
100 lb	17343	3 lb	\$418.00
200 lb	17396	3 lb	\$418.00
250 lb	17397	3 lb	\$418.00
500 lb	17398	3 lb	\$418.00
1,000 lb	17344	3 lb	\$418.00
2,500 lb	17345	9 lb	\$662.00

## Dimensions

Rated Capacity	A	A1	A2	B	C	D	E	F	G	H
50 to 100	6.00	0.31	0.31	0.38	0.88	4.25	1.06	1.41	—	—
200 to 1,000	6.62	0.52	0.52	0.50	1.12	4.25	1.06	1.41	—	—
2,500	11.38	0.53	0.62	0.50	1.75	8.25	1.25	2.19	1.19	0.12



## Interchangeable Products

HBK®  
**BBS**  
VPG® SENSORTRONICS®  
**65087**  
FAIRBANKS®  
**3-481XX-1**  
FAIRBANKS  
**3-48660-1**  
ARTECH®  
**40310**

## Specifications

**Full Scale Output:**

2.0 mV/V

**Output Resistance:**

831 (± 50) ohm

**Input Resistance:**

750 (±) ohm

**Material/Finish:**

High-alloy steel, nickel plated

**Temperature:**

Operating range  
0 °F to 150 °F (-18 °C to 65 °C)

**Seal Type:**

Environmentally sealed with neoprene sleeve, IP65

**Safe Overload:**

150% full scale

**Rated Excitation:**

5 to 10 VDC (15 V maximum)

**Deflection at Capacity:**

50 lb: 0.015 in  
100 lb: 0.005 in  
200 to 250 lb: 0.030 in  
500 lb: 0.025 in  
1,000 lb: 0.040 in  
2,500 lb: 0.120 in

**Nonlinearity:**

0.03% full scale

**Hysteresis:**

0.02% full scale

**Insulation Resistance:**

5,000 megohm

**Cable Length:**

10 ft

**Cable Diameter:**

0.200 in polyurethane jacket

**Cable Color Code:**

Green +Excitation  
Black -Excitation  
White +Signal  
Red -Signal

**Warranty:**

Two-year limited



Picture is a representation of actual product.

**Approvals**

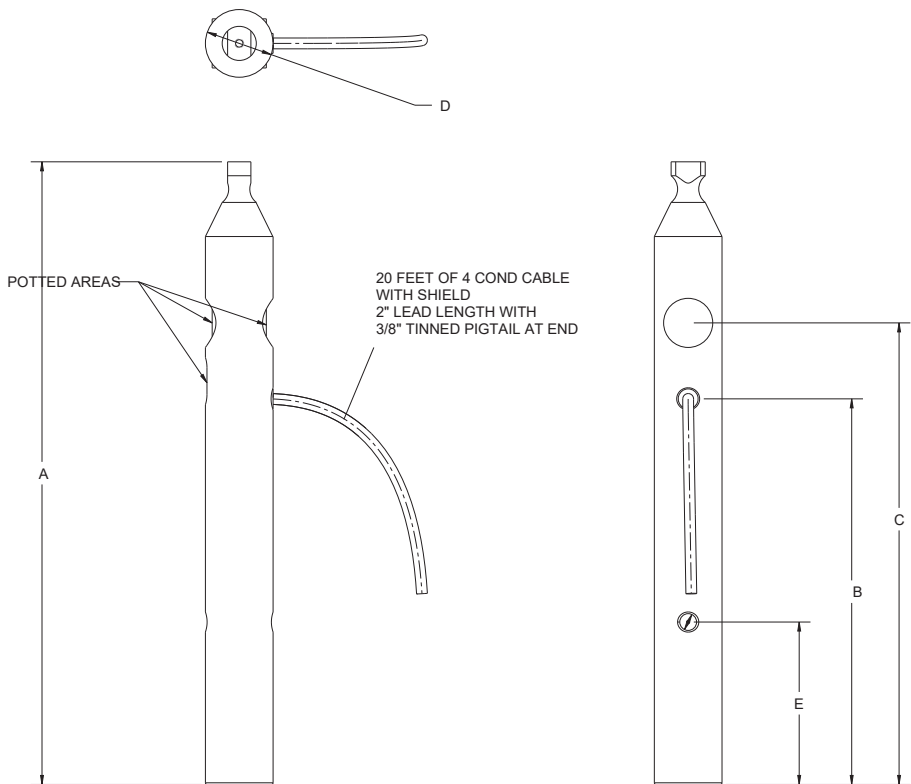


**Order Information**

Load Rating	Part #	Est. Weight	Price
1,250 lb	<b>119788</b>	5 lb	\$730.00
5,000 lb	<b>119790</b>	9 lb	\$850.00
10,000 lb	<b>119791</b>	17 lb	\$950.00

**Dimensions**

Rated Capacity	A	B	C	D	E
1,250	11.50	7.12	8.52	1.25	3.0
5,000	10.9	5.5	7.4	2.0	3.0
10,000	12.6	5.9	8.0	2.5	3.0



**Interchangeable Products**  
AVERY WEIGH TRONIX®  
**Weigh Bar**

**Specifications**

- Full Scale Output:**  
2.0 ± 0.1% mV/V
- Output Resistance:**  
350 (± 3) ohm
- Input Resistance:**  
385 (± 10) ohm
- Material/Finish:**  
Stainless steel
- Temperature:**  
Compensated range  
14 °F to 104 °F (-10 °C to 40 °C)  
Operating range  
0 °F to 150 °F (-18 °C to 65 °C)
- Seal Type:**  
Environmentally sealed, IP67
- Safe Overload:**  
150% full scale
- Safe Sideload:**  
100% full scale
- Rated Excitation:**  
5 to 10 VDC
- Combined Error:**  
0.02% full scale
- Non-Repeatability:**  
± 0.01% full scale
- Insulation Resistance:**  
5,000 megohm
- Cable Length:**  
20 ft
- Cable Diameter:**  
0.190 in polyurethane jacket
- Cable Color Code:**  
Green +Excitation  
Black -Excitation  
White +Signal  
Red -Signal
- Warranty:**  
Two-year limited
- Approvals:**  
NTEP 11-024

# RL32011WB-T

Stainless Steel, Environmentally Sealed, NTEP Certified 1:5,000 Class III Multiple Cell, Potted, IP67

LOAD CELLS /  
WEIGH MODULES



Picture is a representation of actual product.

### Approvals

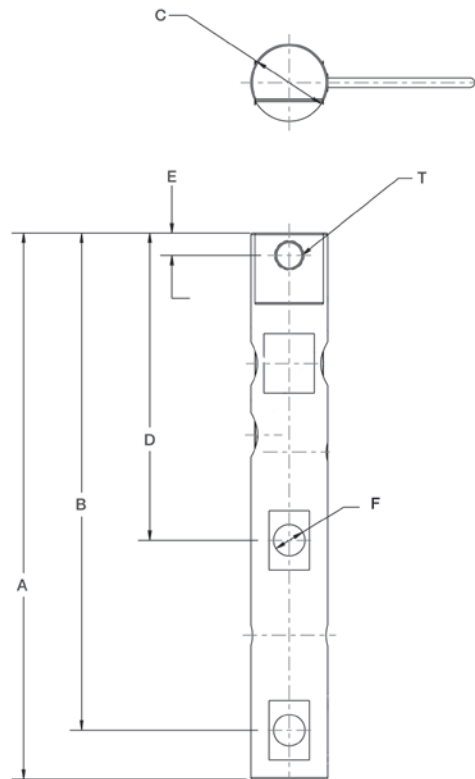


### Order Information

Load Rating	Part #	Est. Weight	Price
1,250 lb	119796	3 lb	\$525.00
2,500 lb	119797	3 lb	\$525.00

### Dimensions

Rated Capacity	A	B	C	D	E	F	T
lb/in							
1,250	11.50	10.47	1.25	6.47	0.47	0.53	1/2-13 UNC
2,500	11.50	10.47	1.62	6.47	0.47	0.66	5/8-11 UNC



### Interchangeable Products

AVERY WEIGH TRONIX®  
Weigh Bar

### Specifications

**Full Scale Output:**

2.0 (± 0.1%) mV/V

**Output Resistance:**

350 (± 3) ohm

**Input Resistance:**

385 (± 10) ohm

**Material/Finish:**

Stainless steel

**Temperature:**

Compensated range

14 °F to 104 °F (-10 °C to 40 °C)

Operating range

0 °F to 150 °F (-18 °C to 65 °C)

**Seal Type:**

Environmentally sealed, IP67

**Safe Overload:**

150% full scale

**Safe Sideload:**

100% full scale

**Rated Excitation:**

5 to 10 VDC

**Combined Error:**

0.02% full scale

**Non-Repeatability:**

± 0.01% full scale

**Insulation Resistance:**

5,000 megohm

**Cable Length:**

20 ft

**Cable Diameter:**

0.190 in polyurethane jacket

**Cable Color Code:**

Green +Excitation

Black -Excitation

White +Signal

Red -Signal

**Warranty:**

Two-year limited

**Approvals:**

NTEP 11-024





Picture is a representation of actual product.

### Approvals

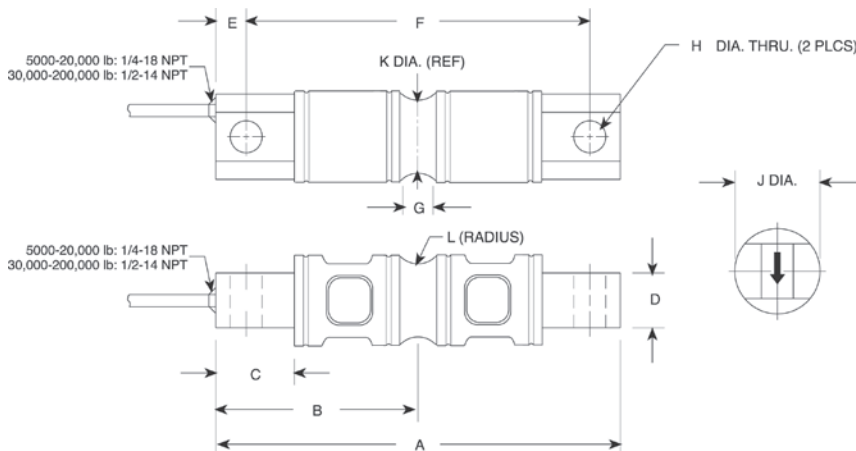


### Order Information

Load Rating	Part #	Est. Weight	Price
<b>NTEP</b>			
5,000 lb	201758	5 lb	\$695.00
10,000 lb	201759	6 lb	\$695.00
20,000 lb	201760	7 lb	\$695.00
30,000 lb	201761	18 lb	\$800.00
40,000 lb	201762	18 lb	\$800.00
50,000 lb	201763	18 lb	\$800.00
60,000 lb	201764	18 lb	\$800.00
100,000 lb	201765	28 lb	\$1,563.00
150,000 lb	201766	34 lb	\$1,563.00
200,000 lb	201767	90 lb	\$2,940.00
<b>Non-NTEP</b>			
250,000 lb	201768	93 lb	\$2,940.00

### Dimensions

Rated Capacity	A	B	C	D	E	F	G	H	J	K	L
lb/in											
5,000 to 10,000	8.12	4.06	1.44	1.12	0.62	6.88	0.62	0.66	1.70	1.48	0.50
20,000	8.12	4.06	1.44	1.12	0.62	6.88	0.84	0.66	1.95	1.48	0.50
30,000 to 60,000	10.25	5.12	1.88	2.37	0.88	8.50	1.00	1.06	3.20	2.73	1.00
100,000	11.25	5.62	1.88	2.50	0.88	9.50	1.00	1.06	3.50	3.24	1.50
150,000	11.25	5.62	1.88	2.80	0.88	9.50	1.25	1.06	3.90	3.64	1.50
200,000 to 250,000	16.10	8.05	3.05	4.60	1.55	13.00	1.30	1.56	5.38	5.17	2.00



### Interchangeable Products

RICE LAKE WEIGHING SYSTEMS

**RL70000\***

VPG® REVERE

**5103\***

ARTECH®

**70210**

METTLER-TOLEDO®

**SLD 430**

\*Conduit adapter optional

### Weigh Module Available

RICE LAKE WEIGHING SYSTEMS

**EZ Mount 1**

### Specifications

#### Full Scale Output:

3.0 mV/V

#### Output Resistance:

700 (± 5) ohm

#### Input Resistance:

5 to 10 k: 700 (± 14) ohm

20 to 150 k: 770 (± 10) ohm

200 to 250 k: 700 (± 14) ohm

#### Material/Finish:

High-alloy steel, nickel plated

#### Temperature:

Compensated range

14 °F to 104 °F (-10 °C to 40 °C)

Operating range

0 °F to 150 °F (-18 °C to 65 °C)

#### Seal Type:

Environmentally sealed, IP67

#### Safe Overload:

150% full scale

#### Safe Sideload:

100% full scale

#### Rated Excitation:

5 to 10 VDC (15 V maximum)

#### Combined Error:

0.02% full scale

#### Insulation Resistance:

5,000 megohm

#### Deflection at Capacity:

5,000 lb: 0.02 in

10,000 lb: 0.025 in

20,000 lb: 0.042 in

30,000 to 50,000 lb: 0.02 in

60,000 lb: 0.025 in

100,000 lb: 0.02 in

#### Cable Length:

30 ft

#### Cable Color Code:

Red +Excitation

Black -Excitation

Green +Signal

White -Signal

#### Warranty:

Two-year limited

#### Approvals:

cFMus

NTEP 21-064

DOUBLE-ENDED BEAM  
**RL72020SS**

Stainless Steel, Environmentally Sealed, NTEP Certified 1:5,000 Class III/1:10,000 Class III Multiple Cell, IP67

LOAD CELLS /  
WEIGH MODULES



Picture is a representation of actual product.

Approvals

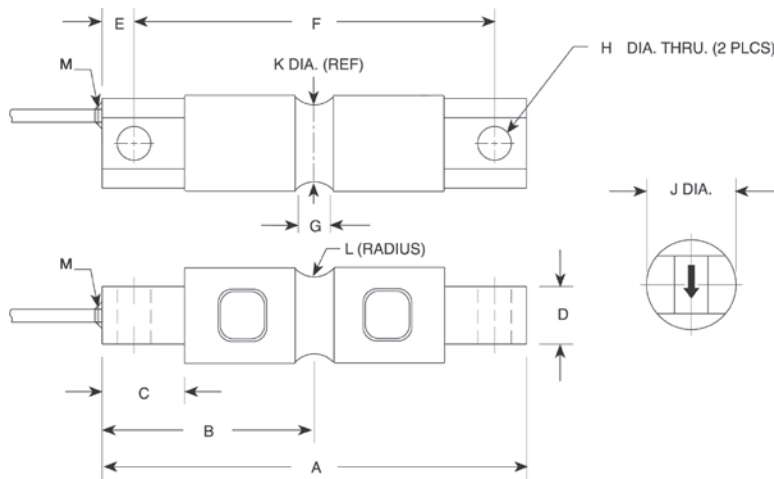


Order Information

Load Rating	Part #	Est. Weight	Price
<b>NTEP Certified</b>			
10,000 lb	<b>201781</b>	5 lb	\$820.00
20,000 lb	<b>201782</b>	5 lb	\$900.00
30,000 lb	<b>201783</b>	20 lb	\$1,033.00
40,000 lb	<b>201784</b>	20 lb	\$1,033.00
50,000 lb	<b>201785</b>	20 lb	\$1,033.00
60,000 lb	<b>201786</b>	20 lb	\$1,033.00
100,000 lb	<b>201787</b>	30 lb	\$1,960.00
<b>Non-NTEP Certified</b>			
5,000 lb	<b>201780</b>	5 lb	\$820.00
150,000 lb	<b>201788</b>	30 lb	\$2,173.00

Dimensions

Rated Capacity	A	B	C	D	E	F	G	H	J	K	L	M
lb/in												
5,000 to 10,000	8.12	4.06	1.44	1.12	0.62	6.88	0.62	0.66	1.70	1.48	0.50	1/4-18 NPT
20,000	8.12	4.06	1.44	1.12	0.62	6.88	0.84	0.66	1.95	1.48	0.50	1/4-18 NPT
30,000 to 60,000	10.25	5.12	1.88	2.37	0.88	8.50	1.00	1.06	3.20	2.73	1.00	1/2-14 NPT
100,000	11.25	5.62	1.88	2.50	0.88	9.50	1.00	1.06	3.50	3.24	1.50	1/2-14 NPT
150,000	11.25	5.62	1.88	2.80	0.88	9.50	1.25	1.06	3.90	3.64	1.50	1/2-14 NPT



Interchangeable Products

RICE LAKE WEIGHING SYSTEMS  
**RL70000SS**  
VPG® REVERSE  
**9103**

Weigh Module Available

RICE LAKE WEIGHING SYSTEMS  
**EZ Mount 1 SS**

Specifications

- Full Scale Output:** 3.0 mV/V
- Output Resistance:** 700 (± 5) ohm
- Input Resistance:** 700 (± 10) ohm
- Material/Finish:** Stainless steel
- Temperature:** Operating range 14 °F to 104 °F (-10 °C to 40 °C)
- Seal Type:** Environmentally sealed, IP67
- Safe Overload:** 150% full scale
- Rated Excitation:** 5 to 10 VDC
- Combined Error:** 0.02% full scale
- Insulation Resistance:** 5,000 megohm
- Cable Length:** 30 ft polyurethane jacket
- Cable Color Code:** Red +Excitation, Black -Excitation, Green +Signal, White -Signal
- Warranty:** Two-year limited
- Approvals:** NTEP 21-064, cFMus

# RL72020P Coated

Alloy Steel, Environmentally Sealed, NTEP Certified 1:5,000 Class III/1:10,000 Class IIIL Multiple Cell, IP67

LOAD CELLS / WEIGH MODULES



Picture is a representation of actual product.

### Approvals

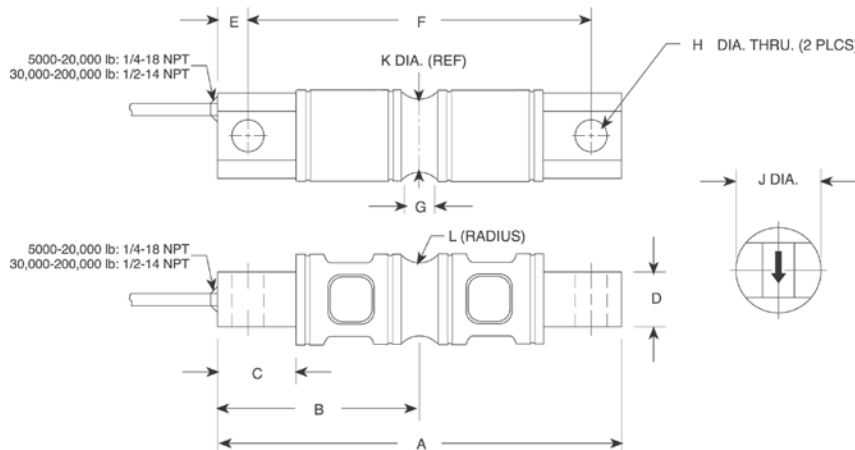


### Order Information

Load Rating	Part #	Est. Weight	Price
<b>NTEP</b>			
5,000 lb	201769	5 lb	\$720.00
10,000 lb	201770	6 lb	\$720.00
20,000 lb	201771	7 lb	\$720.00
30,000 lb	201772	18 lb	\$826.00
40,000 lb	201773	18 lb	\$826.00
50,000 lb	201774	18 lb	\$826.00
60,000 lb	201775	18 lb	\$826.00
100,000 lb	201776	28 lb	\$1,615.00
150,000 lb	201777	34 lb	\$1,615.00
200,000 lb	201778	90 lb	\$2,990.00
<b>Non-NTEP</b>			
250,000 lb	201779	93 lb	\$2,990.00

### Dimensions

Rated Capacity	A	B	C	D	E	F	G	H	J	K	L
5,000 to 10,000	8.12	4.06	1.44	1.12	0.62	6.88	0.62	0.66	1.70	1.48	0.50
20,000	8.12	4.06	1.44	1.12	0.62	6.88	0.84	0.66	1.95	1.48	0.50
30,000 to 60,000	10.25	5.12	1.88	2.37	0.88	8.50	1.00	1.06	3.20	2.73	1.00
100,000	11.25	5.62	1.88	2.50	0.88	9.50	1.00	1.06	3.50	3.24	1.50
150,000	11.25	5.62	1.88	2.80	0.88	9.50	1.25	1.06	3.90	3.64	1.50
200,000 to 250,000	16.10	8.05	3.05	4.60	1.55	13.00	1.30	1.56	5.38	5.17	2.00



### Interchangeable Products

RICE LAKE WEIGHING SYSTEMS

**RL70000\***

RICE LAKE WEIGHING SYSTEMS

**RL70000 Coated**

VPG® REVERE

**5103\***

ARTECH®

**70210**

METTLER-TOLEDO®

**SLD 430**

\*Cells are uncoated

### Weigh Module Available

RICE LAKE WEIGHING SYSTEMS

**EZ Mount 1**

### Specifications

#### Full Scale Output:

3.0 mV/V

#### Output Resistance:

5 to 10 k: 703 (± 4) ohm

20 to 150 k: 700 (± 5) ohm

200 to 250 k: 700 (± 5) ohm

#### Input Resistance:

5 to 10 k: 700 (± 14) ohm

20 to 150 k: 770 (± 10) ohm

200 to 250 k: 700 (± 14) ohm

#### Material/Finish:

Alloy steel, coated

#### Temperature:

Compensated range

14 °F to 104 °F (-10 °C to 40 °C)

Operating range

0 °F to 150 °F (-18 °C to 65 °C)

#### Seal Type:

Environmentally sealed, IP67

#### Safe Overload:

150% full scale

#### Safe Sideload:

100% full scale

#### Rated Excitation:

5 to 10 VDC (15 V maximum)

#### Combined Error:

0.02% full scale

#### Insulation Resistance:

5,000 megohm

#### Deflection at Capacity:

5,000 lb: 0.02 in

10,000 lb: 0.025 in

20,000 lb: 0.042 in

30,000 to 50,000 lb: 0.02 in

60,000 lb: 0.025 in

100,000 lb: 0.02 in

#### Cable Length:

30 ft

#### Cable Diameter:

5,000 to 20,000 lb: 0.200 in

30,000 to 250,000 lb: 0.305 in

Polyurethane jacket

#### Cable Color Code:

Red +Excitation

Black -Excitation

Green +Signal

White -Signal

#### Warranty:

Two-year limited

#### Approvals:

cFMus

NTEP 21-064

DOUBLE-ENDED BEAM  
**RL72019SS**

Stainless Steel, Welded Seal, NTEP Certified 1:5,000 Class III/1:10,000 Class IIIIL Multiple Cell, IP68

LOAD CELLS /  
 WEIGH MODULES



Picture is a representation of actual product.

Approvals

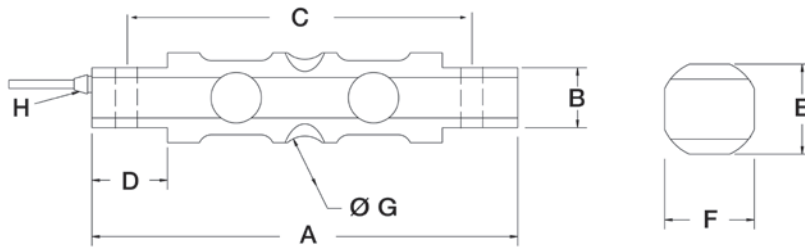


Order Information

Load Rating	Part #	Est. Weight	Price
5,000 lb	194021	5 lb	\$1,160.00
10,000 lb	194022	5 lb	\$1,160.00
20,000 lb	194023	5 lb	\$1,160.00
30,000 lb	194024	20 lb	\$1,585.00
40,000 lb	194025	20 lb	\$1,585.00
50,000 lb	194026	20 lb	\$1,585.00
60,000 lb	194027	20 lb	\$1,585.00

Dimensions

Rated Capacity	A	B	C	D	E	F	ØG	H
5,000 to 20,000 lb/in	8.12	1.14	6.88	1.44	1.71	1.71	1.00	1/4-18 NPT
30,000 to 60,000	10.25	2.38	8.50	1.88	3.03	3.03	2.00	1/2-14 NPT



Interchangeable Products

RICE LAKE WEIGHING SYSTEMS  
**RL70000SS**  
 VPG® REVERSE  
**9103**

Weigh Module Available

RICE LAKE WEIGHING SYSTEMS  
**EZ Mount 1 SS**

Specifications

- Full Scale Output:**  
3.0 mV/V
- Output Resistance:**  
700 (± 5) ohm
- Input Resistance:**  
800 (± 30) ohm
- Material/Finish:**  
Stainless steel
- Temperature:**  
Operating range  
0 °F to 150 °F (-18 °C to 65 °C)
- Seal Type:**  
Welded-seal, IP68
- Safe Overload:**  
150% full scale
- Rated Excitation:**  
5 to 10 VDC
- Nonlinearity:**  
0.03% full scale
- Hysteresis:**  
0.5% full scale
- Insulation Resistance:**  
5,000 megohm
- Cable Length:**  
25 ft
- Cable Color Code:**  
Red +Excitation  
Black -Excitation  
Green +Signal  
White -Signal
- Warranty:**  
Two-year limited
- Approvals:**  
cFMus  
NTEP 21-064

**Limited Stock Available**



Picture is a representation of actual product.

### Approvals

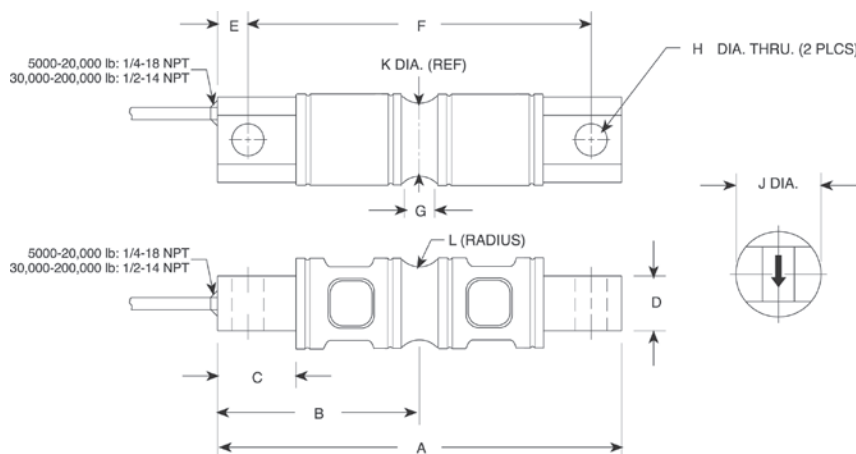


### Order Information

Load Rating	Part #	Est. Weight	Price
10,000 lb	36264	6 lb	\$695.00
30,000 lb	36266	18 lb	\$800.00
40,000 lb	36267	18 lb	\$800.00
50,000 lb	36268	18 lb	\$800.00
60,000 lb	36269	18 lb	\$800.00
100,000 lb	36270	28 lb	\$1,563.00
150,000 lb	36976	34 lb	\$1,563.00
200,000 lb	36977	90 lb	\$2,940.00
250,000 lb	36978	90 lb	\$2,940.00

### Dimensions

Rated Capacity	A	B	C	D	E	F	G	H	J	K	L
lb/in											
10,000	8.12	4.06	1.44	1.12	0.62	6.88	0.62	0.66	1.70	1.48	0.50
30,000 to 60,000	10.25	5.12	1.88	2.37	0.88	8.50	1.00	1.06	3.20	2.73	1.00
100,000	11.25	5.62	1.88	2.50	0.88	9.50	1.00	1.06	3.50	3.24	1.50
150,000	11.25	5.62	1.88	2.80	0.88	9.50	1.25	1.06	3.90	3.64	1.50
200,000 to 250,000	16.10	8.05	3.05	4.60	1.55	13.00	1.30	1.56	5.38	5.17	2.00



### Interchangeable Products

RICE LAKE WEIGHING SYSTEMS

**RL72020**

VPG® REVERE®

**5103\***

ARTECH®

**70210**

METTLER-TOLEDO®

**SLD 430**

\*Conduit adapter optional

### Weigh Module Available

RICE LAKE WEIGHING SYSTEMS

**EZ Mount 1**

### Specifications

#### Full Scale Output:

3.0 mV/V

#### Output Resistance:

5 to 10 k: 703 (± 4) ohm  
 20 to 150 k: 700 (± 5) ohm  
 200 to 250 k: 700 (± 5) ohm

#### Input Resistance:

5 to 10 k: 700 (± 14) ohm  
 20 to 150 k: 770 (± 10) ohm  
 200 to 250 k: 700 (± 14) ohm

#### Material/Finish:

High-alloy steel, nickel plated

#### Temperature:

Compensated range  
 14 °F to 104 °F (-10 °C to 40 °C)  
 Operating range  
 0 °F to 150 °F (-18 °C to 65 °C)

#### Seal Type:

Environmentally sealed, IP67

#### Safe Overload:

150% full scale

#### Safe Sideload:

100% full scale

#### Rated Excitation:

5 to 10 VDC (15 V maximum)

#### Combined Error:

0.02% full scale

#### Insulation Resistance:

5,000 megohm

#### Deflection at Capacity:

5,000 lb: 0.02 in  
 10,000 lb: 0.025 in  
 20,000 lb: 0.042 in  
 30,000 to 50,000 lb: 0.02 in  
 60,000 lb: 0.025 in  
 100,000 lb: 0.02 in

#### Cable Length:

30 ft

#### Cable Diameter:

5,000 to 20,000 lb: 0.200 in  
 30,000 to 250,000 lb: 0.305 in  
 Polyurethane jacket

#### Cable Color Code:

Red +Excitation  
 Black -Excitation  
 Green +Signal  
 White -Signal

#### Warranty:

Two-year limited

#### Approvals:

cFMus  
 NTEP 97-125

LOAD CELLS / WEIGH MODULES

# RL70000 Coated

Alloy Steel, Environmentally Sealed, IP67

**Limited Stock Available**

**LOAD CELLS / WEIGH MODULES**



Picture is a representation of actual product.

**Approvals**

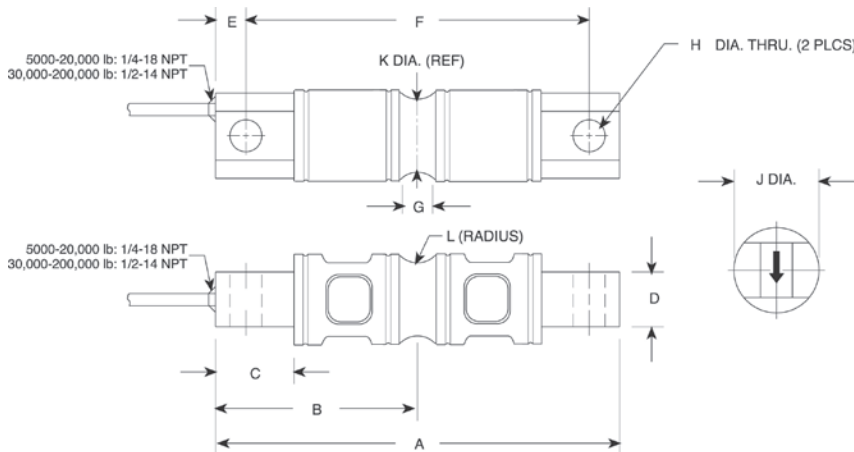


**Order Information**

Load Rating	Part #	Est. Weight	Price
5,000 lb	<b>198196</b>	5 lb	\$720.00
30,000 lb	<b>198199</b>	18 lb	\$826.00
50,000 lb	<b>198201</b>	18 lb	\$826.00
250,000 lb	<b>198206</b>	93 lb	\$2,990.00

**Dimensions**

Rated Capacity	A	B	C	D	E	F	G	H	J	K	L
lb/in											
5,000	8.12	4.06	1.44	1.12	0.62	6.88	0.62	0.66	1.70	1.48	0.50
30,000 to 50,000	10.25	5.12	1.88	2.37	0.88	8.50	1.00	1.06	3.20	2.73	1.00
250,000	16.10	8.05	3.05	4.60	1.55	13.00	1.30	1.56	5.38	5.17	2.00



**Interchangeable Products**

RICE LAKE WEIGHING SYSTEMS  
**RL70000\***

RICE LAKE WEIGHING SYSTEMS  
**RL72020\***

RICE LAKE WEIGHING SYSTEMS  
**RL72020P**

**Weigh Module Available**

RICE LAKE WEIGHING SYSTEMS  
**EZ Mount 1**

*\*Cells are uncoated*

**Specifications**

**Full Scale Output:**  
3.0 mV/V

**Output Resistance:**  
5 to 10 k: 703 (± 4) ohm  
20 to 150 k: 700 (± 5) ohm  
200 to 250 k: 700 (± 5) ohm

**Input Resistance:**  
5 to 10 k: 700 (± 14) ohm  
20 to 150 k: 770 (± 10) ohm  
200 to 250 k: 700 (± 14) ohm

**Material/Finish:**  
Alloy steel, coated

**Temperature:**  
Compensated range  
14 °F to 104 °F (-10 °C to 40 °C)  
Operating range  
0 °F to 150 °F (-18 °C to 65 °C)

**Seal Type:**  
Environmentally sealed, IP67

**Safe Overload:**  
150% full scale

**Safe Sideload:**  
100% full scale

**Rated Excitation:**  
5 to 10 VDC (15 V maximum)

**Combined Error:**  
0.02% full scale

**Insulation Resistance:**  
5,000 megohm

**Deflection at Capacity:**  
5,000 lb: 0.02 in  
10,000 lb: 0.025 in  
20,000 lb: 0.042 in  
30,000 to 50,000 lb: 0.02 in  
60,000 lb: 0.025 in  
100,000 lb: 0.02 in

**Cable Length:**  
30 ft

**Cable Diameter:**  
5,000 to 20,000 lb: 0.200 in  
30,000 to 250,000 lb: 0.305 in  
Polyurethane jacket

**Cable Color Code:**  
Red +Excitation  
Black -Excitation  
Green +Signal  
White -Signal

**Warranty:**  
Two-year limited

**Approvals:**  
cFMus  
NTEP 97-125



**Limited Stock Available**

DOUBLE-ENDED BEAM  
**RL7000SS**  
 Stainless Steel, Environmentally Sealed, NTEP Certified 1:5,000 Class III/1:10,000 IIIIL Multiple Cell, IP67

LOAD CELLS / WEIGH MODULES



Picture is a representation of actual product.

**Approvals**

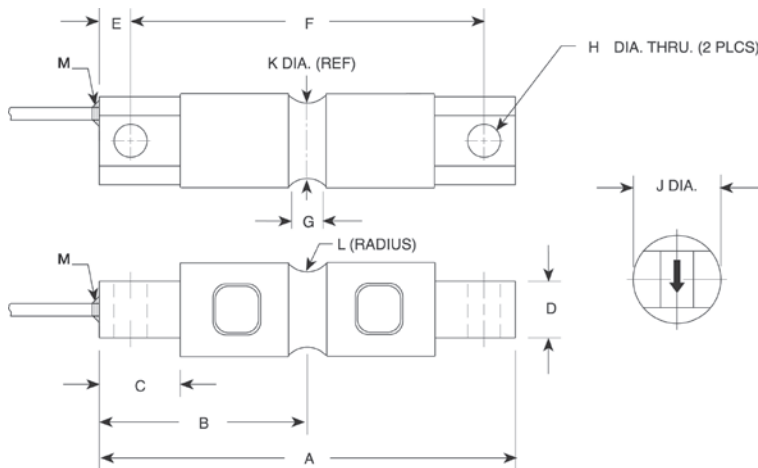


**Order Information**

Load Rating	Part #	Est. Weight	Price
<b>NTEP Certified</b>			
40,000 lb	30435	22 lb	\$900.00
50,000 lb	30436	22 lb	\$1,007.00
100,000 lb	30444	30 lb	\$1,960.00
<b>Non-NTEP Certified</b>			
5,000 lb	30431	5 lb	\$768.00

**Dimensions**

Rated Capacity	A	B	C	D	E	F	G	H	J	K	L	M
lb/in												
5,000	8.12	4.06	1.44	1.12	0.62	6.88	0.62	0.66	1.70	1.48	0.50	1/4-18 NPT
40,000 to 50,000	10.25	5.12	1.88	2.37	0.88	8.50	1.00	1.06	3.20	2.73	1.00	1/2-14 NPT
100,000	11.25	5.62	1.88	2.50	0.88	9.50	1.00	1.06	3.50	3.24	1.50	1/2-14 NPT



**Interchangeable Products**

- RICE LAKE WEIGHING SYSTEMS  
**RL72019SS**
- RICE LAKE WEIGHING SYSTEMS  
**RL72020SS**
- VPG® REVERE  
**9103**
- METTLER TOLEDO®  
**SLD-530**

**Weigh Module Available**

- RICE LAKE WEIGHING SYSTEMS  
**EZ Mount 1**

**Specifications**

- Full Scale Output:** 3.0 mV/V
- Output Resistance:** 700 (± 7) ohm
- Input Resistance:** 700 (± 7) ohm
- Material/Finish:** Stainless steel
- Temperature:** Compensated range 0 °F to 150 °F (-18 °C to 65 °C)  
Operating range 0 °F to 150 °F (-18 °C to 65 °C)
- Seal Type:** Environmentally sealed, IP67
- Safe Overload:** 150% full scale
- Safe Sideload:** 100% full scale
- Rated Excitation:** 5 to 10 VDC (15 V max)
- Non-repeatability:** 0.02% full scale
- Combined Error:** 0.3% full scale
- Insulation Resistance:** 5,000 megohm
- Deflection at Capacity:** 5,000 lb: 0.02 in  
10,000 lb: 0.025 in  
20,000 lb: 0.042 in  
30,000 to 50,000 lb: 0.02 in  
60,000 lb: 0.025 in  
100,000 to 150,000 lb: 0.02 in
- Cable Length:** 30 ft
- Cable Diameter:** 0.295 in  
Polyurethane jacket
- Cable Color Code:** Red +Excitation  
Black -Excitation  
Green +Signal  
White -Signal
- Warranty:** Two-year limited
- Approvals:** cFMus  
NTEP 12-050

# RL75016

Alloy Steel, Environmentally Sealed, IP67

LOAD CELLS /  
WEIGH MODULES



Picture is a representation of actual product.

### Approvals



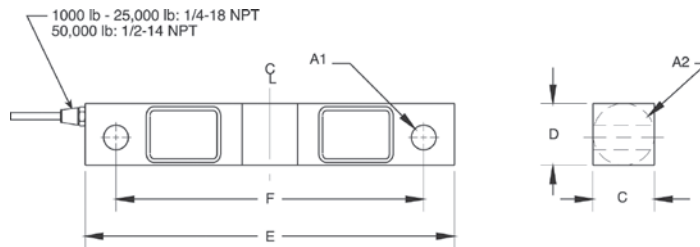
### Order Information

Load Rating	Part #	Est. Weight	Price
1,000 lb	17300	4 lb	\$556.00
1,500 lb	17302	4 lb	\$556.00
2,000 lb	17304	4 lb	\$556.00
2,500 lb	17306	4 lb	\$556.00
3,000 lb	17308	4 lb	\$556.00
5,000 lb	17309	4 lb	\$556.00
10,000 lb	17311	7 lb	\$636.00
15,000 lb	17313	7 lb	\$636.00
20,000 lb	17315	7 lb	\$636.00
25,000 lb	17317	7 lb	\$636.00
50,000 lb	17319	25 lb	\$980.00
75,000 lb*	25357	25 lb	\$980.00

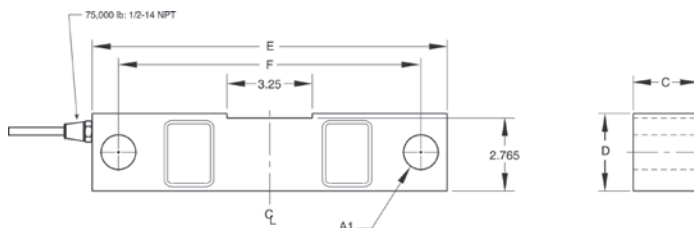
\*75,000lb capacity has a square center

### Dimensions

Rated Capacity	A1	A2	C	D	E	F
lb/in						
1,000 to 5,000	0.50	1.25	1.25	1.25	7.50	6.25
10,000 to 25,000	0.81	1.99	1.44	1.94	8.75	7.50
50,000	1.31	3.00	2.44	2.94	13.50	11.50
75,000	1.31	—	2.44	2.94	13.50	11.50



1000-50,000lb



75,000lb

### Interchangeable Products

VPG® CELTRON

DSR

VPG® SENSORTRONICS®

65016

VPG® REVERE

5203

### Weigh Module Available

RICE LAKE WEIGHING SYSTEMS

RL1600 Series

### Specifications

**Full Scale Output:**

3.0 mV/V

**Output Resistance:**

700 (± 5) ohm

**Input Resistance:**

770 (± 10) ohm

**Material/Finish:**

High-alloy steel, nickel plated

**Temperature:**

Operating range  
0 °F to 150 °F (-18 °C to 65 °C)

**Seal Type:**

Environmentally sealed, IP67

**Safe Overload:**

150% full scale

**Safe Sideload:**

100% full scale

**Rated Excitation:**

5 to 10 VDC (15 V maximum)

**Nonlinearity:**

0.03% full scale

**Hysteresis:**

0.02% full scale

**Deflection at Capacity:**

1,000 to 3,000 lb: 0.01 in  
5,000 lb: 0.015 in  
10,000 to 20,000 lb: 0.022 in  
25,000 lb: 0.036 in  
50,000 lb: 0.052 in  
75,000 lb: 0.07 in

**Insulation Resistance:**

5,000 megohm

**Cable Length:**

25 ft

**Cable Diameter:**

1,000 to 25,000 lb: 0.200 in  
50,000 to 75,000 lb: 0.305 in Polyurethane jacket

**Cable Color Code:**

Red +Excitation  
Black -Excitation  
Green +Signal  
White -Signal

**Warranty:**

Two-year limited



Picture is a representation of actual product.

**Approvals**



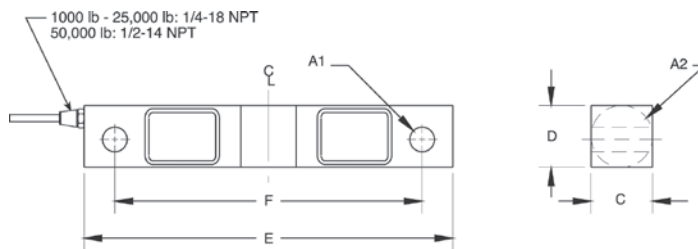
**Order Information**

Load Rating	Part #	Est. Weight	Price
1,000 lb	<b>187058</b>	4 lb	\$583.00
1,500 lb	<b>187059</b>	4 lb	\$583.00
2,000 lb	<b>187060</b>	4 lb	\$583.00
2,500 lb	<b>187061</b>	4 lb	\$583.00
3,000 lb	<b>187062</b>	4 lb	\$583.00
5,000 lb	<b>187063</b>	4 lb	\$583.00
10,000 lb	<b>187064</b>	7 lb	\$662.00
15,000 lb	<b>187065</b>	7 lb	\$662.00
20,000 lb	<b>187066</b>	7 lb	\$662.00
25,000 lb	<b>187067</b>	7 lb	\$662.00
50,000 lb	<b>187068</b>	25 lb	\$1,007.00
75,000 lb*	<b>187069</b>	25 lb	\$1,007.00

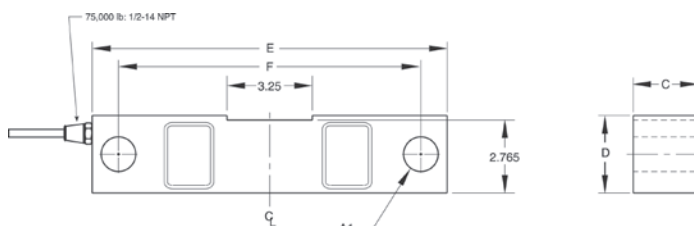
\*75,000lb capacity has a square center

**Dimensions**

Rated Capacity	A1	A2	C	D	E	F
lb/in						
1,000 to 5,000	0.50	1.25	1.25	1.25	7.50	6.25
10,000 to 25,000	0.81	1.99	1.44	1.94	8.75	7.50
50,000	1.31	3.00	2.44	2.94	13.50	11.50
75,000	1.31	—	2.44	2.94	13.50	11.50



1000-50,000lb



75,000lb

**Interchangeable Products**

- RICE LAKE WEIGHING SYSTEMS
- RL75016\*** (Alloy)
- VPG® CELTRON
- DSR\*** (Alloy)
- VPG® SENSORTRONICS®
- 65016\*** (Alloy)

**Weigh Module Available**

- RICE LAKE WEIGHING SYSTEMS
- RL1600 Series**
- \*Cells are uncoated*

**Specifications**

- Full Scale Output:** 3.0 mV/V
- Output Resistance:** 700 (± 5) ohm
- Input Resistance:** 770 (± 10) ohm
- Material/Finish:** Alloy steel, coated
- Temperature:** Operating range 0 °F to 150 °F (-18 °C to 65 °C)
- Seal Type:** Environmentally sealed, IP67
- Safe Overload:** 150% full scale
- Safe Sideload:** 100% full scale
- Rated Excitation:** 5 to 10 VDC (15 V maximum)
- Nonlinearity:** 0.03% full scale
- Hysteresis:** 0.02% full scale
- Insulation Resistance:** 5,000 megohm
- Cable Length:** 25 ft
- Cable Color Code:** Red +Excitation, Black -Excitation, Green +Signal, White -Signal
- Warranty:** Two-year limited
- Approvals:** cFMus

DOUBLE-ENDED BEAM  
**RL75016SS**

Stainless Steel, Environmentally Sealed, IP67

LOAD CELLS /  
WEIGH MODULES



Picture is a representation of actual product.

Approvals



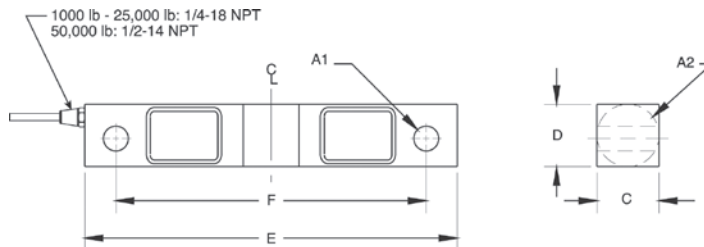
Order Information

Load Rating	Part #	Est. Weight	Price
1,000 lb	17301	4 lb	\$583.00
1,500 lb	17303	4 lb	\$583.00
2,000 lb	17305	4 lb	\$583.00
2,500 lb	17307	4 lb	\$583.00
5,000 lb	17310	4 lb	\$583.00
10,000 lb	17312	7 lb	\$662.00
15,000 lb	17314	7 lb	\$662.00
20,000 lb	17316	7 lb	\$662.00
25,000 lb	17318	7 lb	\$662.00
50,000 lb	17320	25 lb	\$1,298.00
75,000 lb*	25356	27 lb	\$1,298.00

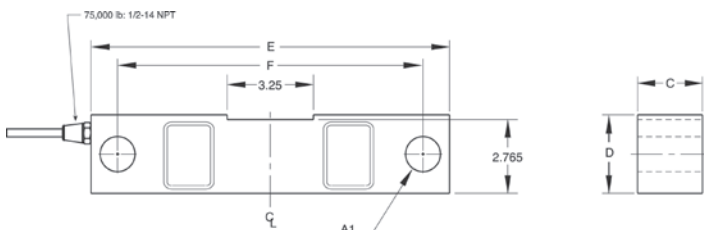
\*75,000lb capacity has a square center

Dimensions

Rated Capacity	A1	A2	C	D	E	F
1,000 to 5,000	0.50	1.25	1.25	1.25	7.50	6.25
10,000 to 25,000	0.81	1.99	1.44	1.94	8.75	7.50
50,000	1.31	3.00	2.44	2.94	13.50	11.50
75,000	1.31	—	2.44	2.94	13.50	11.50



1000-50,000lb



75,000lb

Interchangeable Products

RICE LAKE WEIGHING SYSTEMS

**RL75016WHE\***

VPG® SENSORTRONICS®

**65016W**

VPG® SENSORTRONICS

**65016WH\***

VPG® REVERE

**9203**

Weigh Module Available

SURVIVOR®

**RL1600 HE Series**

\*Hermetically sealed

Specifications

**Full Scale Output:**

3.0 mV/V

**Output Resistance:**

700 (± 5) ohm

**Input Resistance:**

770 (± 10) ohm

**Material/Finish:**

Stainless steel

**Temperature:**

Operating range  
0 °F to 150 °F (-18 °C to 65 °C)

**Seal Type:**

Environmentally sealed, IP67

**Safe Overload:**

150% full scale

**Safe Sideload:**

100% full scale

**Rated Excitation:**

5 to 10 VDC (15 V maximum)

**Nonlinearity:**

0.07% full scale

**Hysteresis:**

0.02% full scale

**Cable Diameter:**

1,000 to 25,000 lb: 0.200 in  
50,000 to 75,000 lb: 0.305 in Polyurethane jacket

**Deflection at Capacity:**

1,000 to 3,000 lb: 0.01 in  
5,000 lb: 0.015 in  
10,000 to 20,000 lb: 0.022 in  
25,000 lb: 0.036 in  
50,000 lb: 0.052 in  
75,000 lb: 0.07 in

**Insulation Resistance:**

5,000 megohm

**Cable Length:**

25 ft

**Cable Color Code:**

Red +Excitation  
Black -Excitation  
Green +Signal  
White -Signal

**Warranty:**

Two-year limited

**Approvals:**

cFMus

DOUBLE-ENDED BEAM  
**RL75016SS-W**  
 Stainless Steel, Welded Seal, IP67

LOAD CELLS /  
WEIGH MODULES



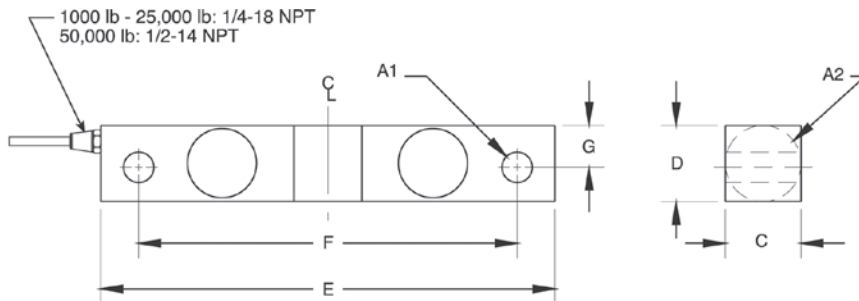
Picture is a representation of actual product.

### Order Information

Load Rating	Part #	Est. Weight	Price
1,000 lb	<b>168114</b>	5 lb	\$630.00
5,000 lb	<b>168115</b>	5 lb	\$630.00
10,000 lb	<b>168116</b>	7 lb	\$715.00
15,000 lb	<b>168117</b>	7 lb	\$715.00
20,000 lb	<b>168118</b>	7 lb	\$715.00
25,000 lb	<b>168119</b>	7 lb	\$715.00
50,000 lb	<b>168120</b>	33 lb	\$1,372.00

### Dimensions

Rated Capacity	A1	A2	C	D	E	F	G
lb/in							
1,000 to 5,000	0.50	1.25	1.25	1.25	7.50	6.25	0.69
10,000 to 25,000	0.81	1.99	1.44	1.94	8.75	7.50	0.96
50,000	1.31	3.00	2.44	2.94	13.50	11.50	1.50



### Interchangeable Products

- RICE LAKE WEIGHING SYSTEMS  
**RL75016SS**
- RICE LAKE WEIGHING SYSTEMS  
**RL75016WHE**

### Specifications

- Full Scale Output:**  
3.0 mV/V
- Output Resistance:**  
700 (± 5) ohm
- Input Resistance:**  
770 (± 10) ohm
- Material/Finish:**  
Stainless steel
- Temperature:**  
Operating range  
0 °F to 150 °F (-18 °C to 65 °C)
- Seal Type:**  
Welded-seal, IP67
- Safe Overload:**  
100% full scale
- Rated Excitation:**  
5 to 10 VDC (15 V max)
- Hysteresis:**  
0.02% full scale
- Linearity:**  
0.03% full scale
- Cable Length:**  
25 ft
- Cable Color Code:**  
Red +Excitation  
Black -Excitation  
Green +Signal  
White -Signal
- Warranty:**  
Two-year limited

# RL75016WHE

Stainless Steel, Hermetically Sealed, IP69K

LOAD CELLS /  
WEIGH MODULES



Picture is a representation of actual product.

### Approvals

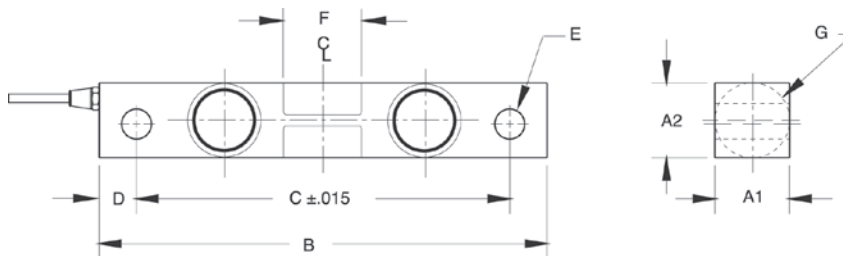


### Order Information

Load Rating	Part #	Est. Weight	Price
1,000 lb	67043	4 lb	\$736.00
1,500 lb	67044	4 lb	\$736.00
2,000 lb	67045	4 lb	\$736.00
2,500 lb	67046	4 lb	\$736.00
5,000 lb	67047	4 lb	\$736.00
10,000 lb	67048	7 lb	\$832.00
15,000 lb	67049	7 lb	\$832.00
20,000 lb	67050	7 lb	\$832.00
25,000 lb	67051	7 lb	\$832.00

### Dimensions

Rated Capacity	A1	A2	B	C	D	E	F	G	CONDUIT ADAPTER
lb/in									
1,000 to 5,000	1.22	1.22	7.50	6.25	0.62	0.50	1.12	1.25	1/2-14 NPT
10,000 to 25,000	1.44	1.94	8.75	7.50	0.62	0.81	1.62	1.99	1/2-14 NPT



### Interchangeable Products

RICE LAKE WEIGHING SYSTEMS

**RL75016SS\***

RICE LAKE WEIGHING SYSTEMS

**RL75016SS-W\***

VPG® SENSORTRONICS®

**65016W\***

VPG® SENSORTRONICS

**65016WH**

### Weigh Module Available

RICE LAKE WEIGHING SYSTEMS

**RL1600 Series**

\*Welded seal

### Specifications

#### Full Scale Output:

3.0 mV/V

#### Output Resistance:

699 to 707 ohm

#### Input Resistance:

686 to 714 ohm

#### Material/Finish:

Stainless steel

#### Temperature:

Operating range  
0 °F to 150 °F (-18 °C to 65 °C)

#### Seal Type:

Hermetically sealed, IP69K

#### Safe Overload:

150% full scale

#### Safe Sideload:

100% full scale

#### Rated Excitation:

5 to 10 VDC (15 V maximum)

#### Combined Error:

0.03% full scale

#### Insulation Resistance:

2,000 megohm

#### Cable Length:

25 ft

#### Cable Diameter:

0.200 in

Polyurethane jacket

#### Cable Color Code:

Red +Excitation  
Black -Excitation  
Green +Signal  
White -Signal

#### Warranty:

Two-year limited

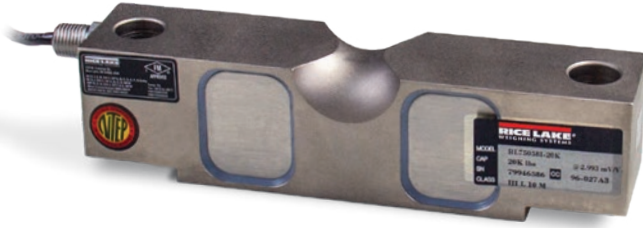
#### Approvals:

cFMus



# RL75058I for Rice Lake Coil Scale

Alloy Steel, Environmentally Sealed, NTEP Certified 1:5,000 Class III Multiple Cell, IP67



Picture is a representation of actual product.

## Approvals

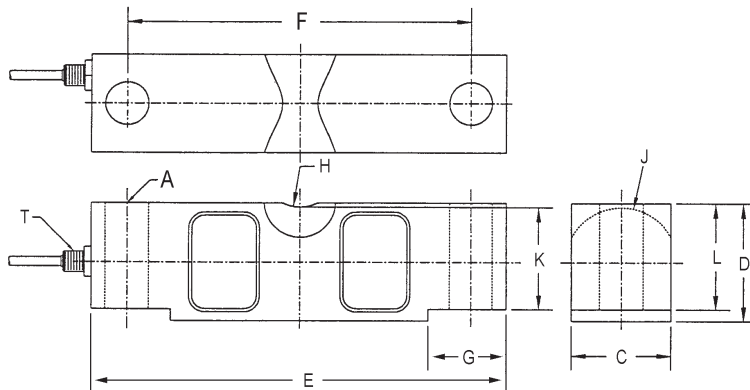


## Order Information

Load Rating	Part #	Est. Weight	Price
20,000 lb	121439	8 lb	\$673.00
25,000 lb	121440	8 lb	\$673.00
40,000 lb	121441	13 lb	\$805.00
50,000 lb	121442	19 lb	\$885.00
60,000 lb	121443	19 lb	\$885.00
75,000 lb	121444	19 lb	\$885.00

## Dimensions

Rated Capacity	A	C	D	E	F	G	H	J	K	L	T
lb/in											
20,000 to 25,000	0.68	1.69	1.94	7.75	6.50	1.38	0.75	0.90	1.63	1.70	1/4-18 NPT
40,000	0.81	1.94	2.44	10.25	8.50	1.93	1.00	1.12	2.00	2.10	1/4-18 NPT
50,000 to 75,000	1.06	2.44	2.94	10.25	8.50	1.93	1.00	1.37	2.54	2.65	1/2-14 NPT



## Specifications

### Full Scale Output:

3.0 mV/V

### Output Resistance:

699 to 707 ohm

### Input Resistance:

686 to 714 ohm

### Material/Finish:

High-alloy steel, nickel plated

### Temperature:

Compensated range

14 °F to 104 °F/-10 °C to 40 °C

Operating range

0 °F to 150 °F/-18 °C to 65 °C

### Seal Type:

Environmentally sealed, IP67

### Safe Overload:

150% full scale

### Safe Sideload:

100% full scale

### Rated Excitation:

5 to 10 VDC (15 V maximum)

### Combined Error:

0.02% full scale

### Insulation Resistance:

5,000 megohm

### Cable Length:

35 ft

### Cable Diameter:

20,000 lb: 0.200 in

40,000 to 75,000 lb: 0.305 in

Polyurethane jacket

### Cable Coloring Code:

Red +Excitation

Black -Excitation

Green +Signal

White -Signal

### Warranty:

Two-year limited

### Approvals:

cFMus

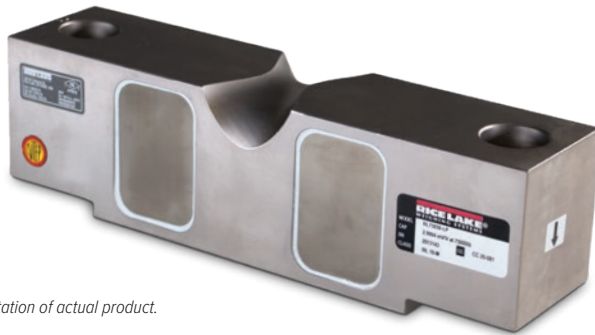
NTEP 98-143

DOUBLE-ENDED BEAM  
**RL75058-LP**

Alloy Steel, Environmentally Sealed, NTEP Certified 1:10,000 Class III Multiple Cell, IP67



LOAD CELLS / WEIGH MODULES



Picture is a representation of actual product.

Approvals



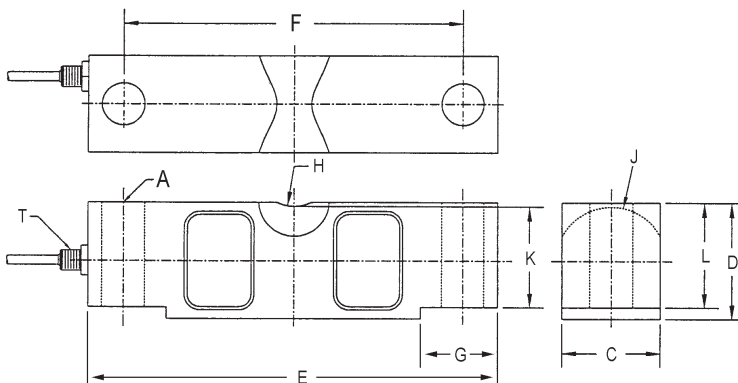
Order Information

Load Rating	Part #	Est. Weight	Price
<b>NTEP Certified 35 ft Cable</b>			
20,000 lb	197770	8 lb	\$673.00
25,000 lb	197771	8 lb	\$673.00
40,000 lb	197772	13 lb	\$805.00
50,000 lb	197773	19 lb	\$885.00
60,000 lb	197774	19 lb	\$885.00
75,000 lb	197775	19 lb	\$885.00
100,000 lb	197776	40 lb	\$1,669.00
125,000 lb	197777	40 lb	\$1,669.00
<b>Non-NTEP Certified 35 ft Cable</b>			
10,000 lb	197769	8 lb	\$652.00
<b>NTEP Certified 60 ft Cable</b>			
50,000 lb	197778	20 lb	\$995.00
75,000 lb**	197781	20 lb	\$995.00
75,000 lb*	197782	20 lb	\$1,100.00
125,000 lb	197779	40 lb	\$1,800.00
<b>NTEP Certified 100 ft Cable</b>			
75,000 lb	197780	22 lb	\$1,100.00

\*Stainless steel overbraided cable  
\*\*Used in Rice Lake truck scales

Dimensions

Rated Capacity	A	C	D	E	F	G	H	J	K	L	T
10,000 to 25,000 lb/in	0.68	1.69	1.94	7.75	6.50	1.38	0.75	0.90	1.63	1.70	1/4-18 NPT
40,000	0.81	1.94	2.44	10.25	8.50	1.93	1.00	1.12	2.00	2.10	1/4-18 NPT
50,000 to 75,000	1.06	2.44	2.94	10.25	8.50	1.93	1.00	1.37	2.54	2.65	1/2-14 NPT
100,000 to 125,000	1.62	2.90	3.86	15.25	12.75	3.13	1.50	1.80	3.30	3.43	1/2-14 NPT



Interchangeable Products

VPG® SENSORTRONICS®  
**65058A**  
VPG® CELTRON  
**CLB**

Weigh Module Available

RICE LAKE WEIGHING SYSTEMS  
**RL2100HE**  
RICE LAKE WEIGHING SYSTEMS  
**MVS**

Specifications

- Full Scale Output:**  
3.0 mV/V
- Output Resistance:**  
700 (± 5) ohm
- Input Resistance:**  
770 (± 10) ohm
- Material/Finish:**  
High-alloy steel, nickel plated
- Temperature:**  
Compensated range  
14 °F to 104 °F (-10 °C to 40 °C)  
Operating range  
0 °F to 150 °F (-18 °C to 65 °C)
- Seal Type:**  
Environmentally sealed, IP67
- Safe Overload:**  
150% full scale
- Safe Sideload:**  
100% full scale
- Rated Excitation:**  
5 to 10 VDC (15 V maximum)
- Combined Error:**  
0.02% full scale
- Insulation Resistance:**  
5,000 megohm
- Cable Length:**  
35 ft  
60 ft  
100 ft
- Cable Diameter:**  
10,000 to 25,000 lb: 0.200 in  
40,000 to 125,000 lb: 0.305 in  
Polyurethane jacket
- Cable Coloring Code:**  
Red +Excitation  
Black -Excitation  
Green +Signal  
White -Signal
- Warranty:**  
Two-year limited
- Approvals:**  
cFMus  
NTEP 20-081



Stainless Steel, Hermetically Sealed, NTEP Certified 1:10,000 Class IIIIL Multiple Cell, IP68/69K

# DOUBLE-ENDED BEAM RL75058S-LP

LOAD CELLS /  
WEIGH MODULES



Picture is a representation of actual product.

### Approvals

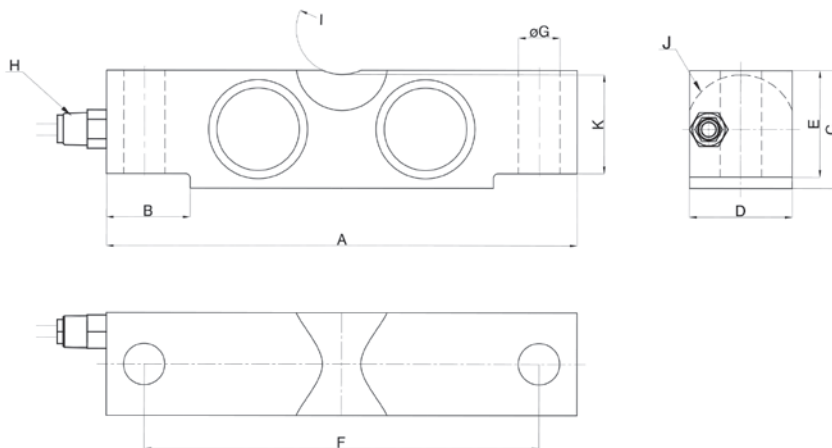


### Order Information

Load Rating	Part #	Est. Weight	Price
<b>NTEP Certified 35 ft Cable</b>			
20,000 lb	197797	8 lb	\$927.00
25,000 lb	197798	8 lb	\$927.00
40,000 lb	198430	13 lb	\$1,160.00
50,000 lb	197799	19 lb	\$1,160.00
60,000 lb	197800	19 lb	\$1,160.00
75,000 lb	197801	19 lb	\$1,160.00
100,000 lb	197803	40 lb	Consult
125,000 lb	197804	40 lb	Consult
<b>Non-NTEP Certified 35 ft Cable</b>			
10,000 lb	197796	8 lb	\$864.00
<b>NTEP Certified 60 ft Cable</b>			
75,000 lb	197802	20 lb	\$1,240.00

### Dimensions

Rated Capacity	A	B	C	D	E	F	ØG	H	I	J	K
lb/in											
10,000 to 25,000	7.75	1.38	1.94	1.69	1.70	6.50	0.68	1/4-18 NPT	R19.1	R22.9	1.63
40,000	10.25	1.93	2.44	1.94	2.10	8.50	0.81	1/4-18 NPT	R25.4	R28.5	2.00
50,000 to 75,000	10.25	1.93	2.94	2.44	2.65	8.50	1.06	1/2-14 NPT	R25.4	R34.8	2.54
100,000 to 125,000	15.25	3.13	3.86	2.90	3.43	12.75	1.62	1/2-14 NPT	R38.1	R45.7	3.30



### Interchangeable Products

VPG® SENSORTRONICS®  
65058S

### Weigh Module Available

RICE LAKE WEIGHING SYSTEMS  
RL2100HE  
RICE LAKE WEIGHING SYSTEMS  
MVS

### Specifications

- Full Scale Output:**  
3.0 mV/V
- Output Resistance:**  
700 (± 7) ohm
- Input Resistance:**  
700 (± 14) ohm
- Material/Finish:**  
Stainless steel
- Temperature:**  
Compensated range  
14 °F to 104 °F (-10 °C to 40 °C)  
Operating range  
0 °F to 150 °F (-18 °C to 65 °C)
- Seal Type:**  
Hermetically sealed, IP68/IP69K
- Safe Overload:**  
150% full scale
- Safe Sideload:**  
100% full scale
- Rated Excitation:**  
5 to 10 VDC (15 V maximum)
- Combined Error:**  
0.02% full scale
- Insulation Resistance:**  
5,000 megohm
- Cable Length:**  
35 ft  
60 ft
- Cable Diameter:**  
10,000 to 25,000 lb: 0.200 in  
40,000 to 125,000 lb: 0.305 in  
Polyurethane jacket
- Cable Coloring Code:**  
Red +Excitation  
Black -Excitation  
Green +Signal  
White -Signal
- Warranty:**  
Two-year limited
- Approvals:**  
cFMus  
NTEP 20-081

# RL75060S

Stainless Steel, Welded Seal, NTEP Certified 1:5,000 III/1:10,000 Class III L Multiple Cell, IP67

LOAD CELLS / WEIGH MODULES



Picture is a representation of actual product.

### Approvals

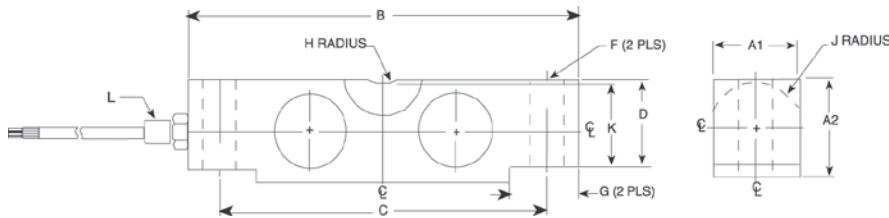


### Order Information

Load Rating	Part #	Est. Weight	Price
<b>35 ft Cable</b>			
20,000 lb	53481	6 lb	\$927.00
25,000 lb	50559	6 lb	\$927.00
35,000 lb	50560	19 lb	\$1,160.00
50,000 lb	50561	19 lb	\$1,160.00
60,000 lb	50562	19 lb	\$1,095.00
75,000 lb	50563	19 lb	\$1,160.00
100,000 lb	50564	19 lb	\$2,115.00
<b>60 ft Cable</b>			
25,000 lb	157931	6 lb	\$1,050.00

### Dimensions

Rated Capacity	F	A1	A2	B	C	G	H	J	K	D	L
lb/in											
20,000 to 25,000	0.68	1.69	1.94	7.75	6.50	1.38	0.75	0.90	1.63	1.70	1/4-18 NPT
35,000 to 75,000	1.06	2.44	2.94	10.25	8.50	1.93	1.00	1.37	2.54	2.65	1/2-14 NPT
100,000	1.06	2.44	3.44	10.25	8.50	1.93	1.00	1.37	2.54	2.65	1/2-14 NPT



### Weigh Module Available

RICE LAKE WEIGHING SYSTEMS  
**MVS**  
 RICE LAKE WEIGHING SYSTEMS  
**RL2100HE**

### Specifications

- Full Scale Output:**  
3.0 mV/V
- Output Resistance:**  
699 to 707 ohm
- Input Resistance:**  
686 to 714 ohm
- Material/Finish:**  
Stainless steel
- Temperature:**  
Compensated range  
14 °F to 104 °F (-10 °C to 40 °C)  
Operating range  
0 °F to 150 °F (-18 °C to 65 °C)
- Seal Type:**  
Welded-seal, IP67
- Safe Overload:**  
150% full scale
- Safe Sideload:**  
100% full scale
- Rated Excitation:**  
5 to 10 VDC (15 V maximum)
- Combined Error:**  
0.02% full scale
- Insulation Resistance:**  
1,000 megohm
- Cable Length:**  
35 ft  
60 ft
- Cable Diameter:**  
20,000 to 25,000 lb: 0.200 in  
35,000 to 100,000 lb: 0.305 in  
Polyurethane jacket
- Cable Coloring:**  
Red +Excitation  
Black -Excitation  
Green +Signal  
White -Signal
- Warranty:**  
Two-year limited
- Approvals:**  
cFMus  
NTEP 96-027



Picture is a representation of actual product.

### Approvals

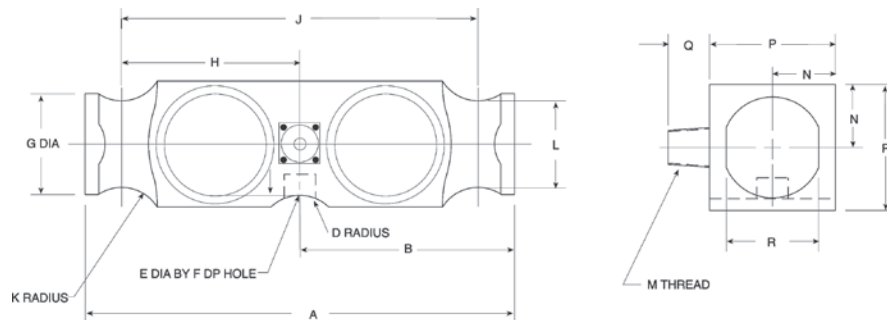


### Order Information

Load Rating	Part #	Est. Weight	Price
<b>40 ft Cable</b>			
50,000 lb	21611	20 lb	\$900.00
65,000 lb	21612	20 lb	\$900.00
100,000 lb	21613	20 lb	\$1,160.00
<b>60 ft Cable</b>			
50,000 lb	107583	20 lb	\$980.00

### Dimensions

Rated Capacity	A	B	D	E	F	G	H	J	K	L	M	N	P	Q	R
50,000 to 65,000 lb/in	10.25	5.12	1.00	0.75	0.78	2.40	4.25	8.50	1.00	2.06	1/2-14 NPT	1.50	3.00	1.03	2.20
100,000	10.25	5.12	1.00	—	—	2.40	4.25	8.50	1.00	2.06	1/2-14 NPT	1.50	3.00	1.03	2.20



### Interchangeable Products

- VPG® REVERE  
**5223**
- VPG® SENSORTRONICS®  
**65040A-XX-1127W**
- ARTECH®  
**80210**
- THURMAN®  
**TSC 800**
- UNIBRIDGE®  
**DL9000**

### Weigh Module Available

- RICE LAKE WEIGHING SYSTEMS  
**Translink**

### Specifications

- Full Scale Output:**  
3.0 mV/V
- Output Resistance:**  
699 to 707 ohm
- Input Resistance:**  
686 to 714 ohm
- Material/Finish:**  
High-alloy steel
- Temperature:**  
Compensated range  
14 °F to 104 °F (-10 °C to 40 °C)  
Operating range  
0 °F to 150 °F (-18 °C to 65 °C)
- Seal Type:**  
Welded-seal, IP67
- Safe Overload:**  
150% full scale
- Safe Sideload:**  
100% full scale
- Rated Excitation:**  
5-10 VDC (15 V maximum)
- Non-repeatability:**  
0.01% full scale
- Combined Error:**  
0.03% full scale
- Insulation Resistance:**  
5,000 megohm
- Deflection at Capacity:**  
50,000 lb: 0.018 in  
65,000 lb: 0.022 in  
100,000 lb: 0.034 in
- Cable Length:**  
40 ft  
60 ft
- Cable Diameter:**  
0.305 in polyurethane jacket
- Cable Color Code:**  
Red +Excitation  
Black -Excitation  
Green +Signal  
White -Signal
- Warranty:**  
Two-year limited
- Approvals:**  
cFMus  
NTEP 97-126

DOUBLE-ENDED BEAM

# RLDB50000S

Stainless Steel, Welded Seal, NTEP Certified 1:10,000 IIIIL Multiple Cell, IP67

LOAD CELLS /  
WEIGH MODULES



Picture is a representation of actual product.

### Approvals

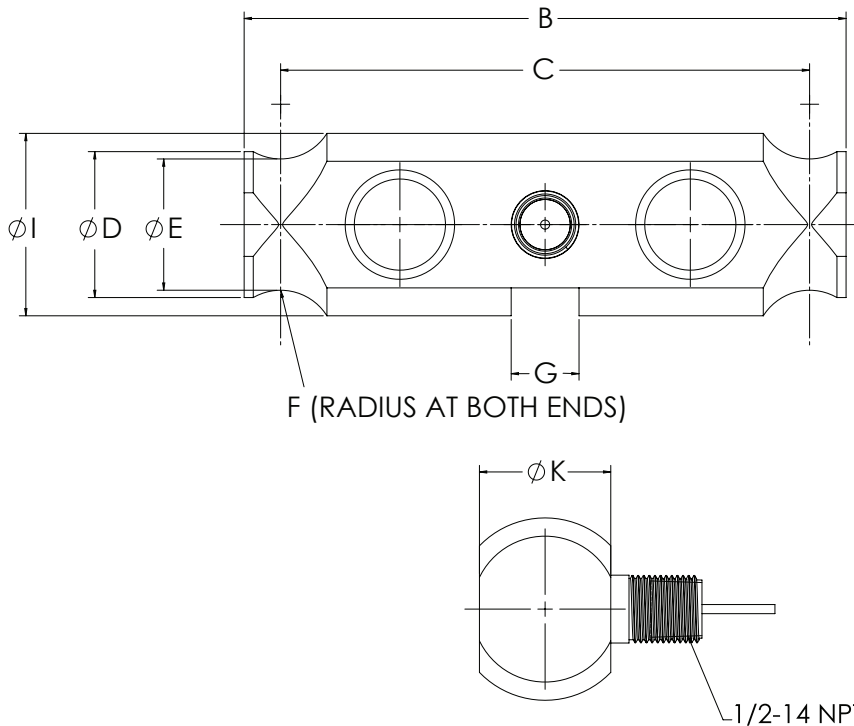


### Order Information

Load Rating	Part #	Est. Weight	Price
50,000 lb	91765	10 lb	\$1,266.00

### Dimensions

Rated Capacity	B	C	D	E	F	G	K	I
50,000 lb/in	8.25	7.25	2.00	1.76	0.75	0.93	1.80	2.50



### Interchangeable Products

CARDINAL®  
DB50000S

### Specifications

**Full Scale Output:**

2.0 ± 0.1% mV/V

**Output Resistance:**

699 to 707 ohm

**Input Resistance:**

686 to 714 ohm

**Material/Finish:**

Stainless steel

**Temperature:**

Compensated range  
14 °F to 104 °F (-10 °C to 40 °C)

Operating range  
0 °F to 150 °F (-18 °C to 65 °C)

**Seal Type:**

Welded-seal, IP67

**Safe Overload:**

150% full scale

**Safe Sideload:**

100% full scale

**Rated Excitation:**

5 to 10 VDC (15 V maximum)

**Non-repeatability:**

0.01% full scale

**Combined Error:**

0.03% full scale

**Insulation Resistance:**

5,000 megohm

**Deflection at Capacity:**

0.01 in

**Cable Length:**

35 ft

**Cable Diameter:**

0.305 in  
Polyurethane jacket

**Cable Color Code:**

Red +Excitation

Black -Excitation

White +Signal

Green -Signal

**Warranty:**

Two-year limited

**Approvals:**

cFMus

NTEP 92-018





Picture is a representation of actual product.

### Approvals



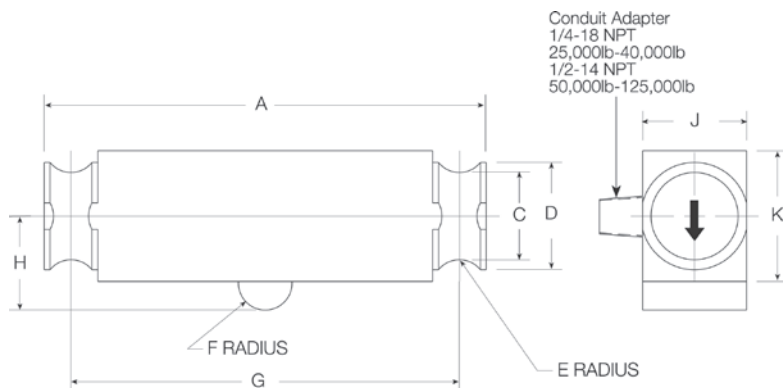
### Order Information

Load Rating	Part #	Est. Weight	Price
<b>35 ft Cable</b>			
25,000 lb	21614	11 lb	\$673.00
40,000 lb	21615	12 lb	\$805.00
50,000 lb LE	21616	17 lb	\$885.00
60,000 lb LE	21617	17 lb	\$885.00
75,000 lb	21618	17 lb	\$885.00
100,000 lb	21619	40 lb	\$1,669.00
125,000 lb	21620	40 lb	\$1,669.00
<b>40 ft Cable</b>			
50,000 lb SE	87253	11 lb	\$805.00
60,000 lb SE	53593	11 lb	\$805.00
<b>50 ft Cable</b>			
50,000 lb LE	21621	18 lb	\$917.00
60,000 lb LE	21622	18 lb	\$917.00
75,000 lb	40951	18 lb	\$917.00

SE=small envelope; LE=large envelope

### Dimensions

Rated Capacity	A	C	D	E	F	G	H	J	K
25,000 to 60,000 SE	8.25	1.63	2.00	0.50	0.50	7.25	1.75	1.94	2.44
50,000 LE to 75,000	11.50	1.70	2.20	0.75	1.00	10.00	2.00	1.94	2.94
100,000 to 125,000	14.50	2.44	3.20	1.00	1.50	12.50	2.75	2.90	3.86



### Interchangeable Products

VPG® SENSORTRONICS®

**65040A**

ARTECH®

**80310**

THURMAN®

**TSC 840**

SENTRAN

**WD1**

ANYLOAD

**102TH**

### Weigh Module Available

RICE LAKE WEIGHING SYSTEMS

**Translink™**

### Specifications

**Full Scale Output:**

3.0 mV/V

**Output Resistance:**

700 (± 5) ohm

**Input Resistance:**

770 (± 10) ohm

**Material/Finish:**

High-alloy steel, nickel plated

**Temperature:**

Compensated range

14 °F to 104 °F (-10 °C to 40 °C)

Operating range

0 °F to 150 °F (-18 °C to 65 °C)

**Seal Type:**

Environmentally sealed, IP67

**Safe Overload:**

150% full scale

**Safe Sideload:**

100% full scale

**Rated Excitation:**

5 to 10 VDC (15 V maximum)

**Combined Error:**

0.03% full scale

**Insulation Resistance:**

1,000 megohm

**Cable Length:**

35 ft

40 ft

50 ft

**Cable Diameter:**

25,000 lb: 0.200 in

40,000 to 75,000 lb: 0.305 in polyurethane jacket

**Cable Coloring Code:**

Red +Excitation

Black -Excitation

Green +Signal

White -Signal

**Warranty:**

Two-year limited

**Approvals:**

cFMus

NTEP 00-027

# RLCSP1

Stainless Steel, Welded Seal, NTEP Certified 1:10,000 Class III Multiple Cell, IP67

LOAD CELLS /  
WEIGH MODULES



Picture is a representation of actual product.

Approvals

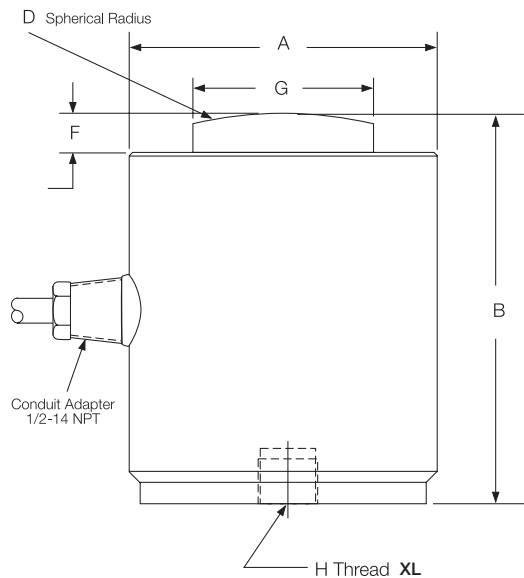


Order Information

Load Rating	Part #	Est. Weight	Price
<b>35 ft Cable</b>			
25,000 lb	32702	7 lb	\$1,903.00
50,000 lb	32701	7 lb	\$1,903.00
100,000 lb	32700	15 lb	\$2,226.00
200,000 lb	32699	28 lb	\$3,175.00
<b>80 ft Cable</b>			
200,000 lb	197788	30 lb	\$3,312.00

Dimensions

Rated Capacity	A	B	D	F	G	H	L-DEPTH
lb/in							
25,000 to 50,000	3.00	3.25	6.00	0.40	1.25	1/2-20 UNF	0.31
100,000	4.00	5.00	6.00	0.51	2.31	3/4-16 UNF	0.56
200,000	6.00	7.25	17.00	1.04	3.13	3/4-16 UNF	0.75



Interchangeable Products

- VPG® REVERE
- CSP**
- VPG® SENSORTRONICS®
- 65088-1000**
- VPG® REVERE
- 692B**
- HOWE RICHARDSON®
- 244699-000X**
- STREETER AMET®
- 3760XXX**

Weigh Module Available

- RICE LAKE WEIGHING SYSTEMS
- MagnaMount®**

Specifications

- Full Scale Output:**  
2.0 mV/V
- Output Resistance:**  
475.2 to 484.8 ohm
- Input Resistance:**  
445.5 to 454.5 ohm
- Material/Finish:**  
Stainless steel
- Temperature:**  
Compensated range  
14 °F to 104 °F (-10 °C to 40 °C)  
Operating range  
0 °F to 150 °F (-18 °C to 65 °C)
- Seal Type:**  
Welded-seal, IP67
- Safe Overload:**  
150% full scale
- Rated Excitation:**  
5 to 10 VDC (15 V maximum)
- Combined Error:**  
0.03% full scale
- Non-repeatability:**  
0.01% full scale
- Insulation Resistance:**  
1,000 megohm
- Deflection at Capacity:**  
25,000 to 50,000 lb: 0.003 in  
100,000 to 125,000 lb: 0.006 in
- Cable Length:**  
35 ft  
80 ft
- Cable Diameter:**  
0.305 in polyurethane jacket
- Cable Color Code:**  
Green +Excitation  
Black -Excitation  
White +Signal  
Red -Signal  
Orange Shield
- Warranty:**  
Two-year limited
- Approvals:**  
NTEP 95-140



Picture is a representation of actual product.

**Approvals**

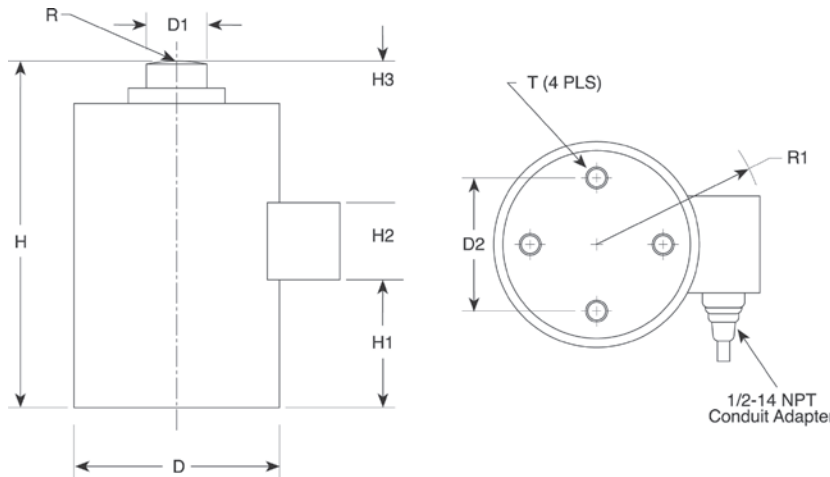


**Order Information**

Load Rating	Part #	Est. Weight	Price
50,000 lb	<b>34855</b>	20 lb	\$2,325.00
100,000 lb	<b>34856</b>	36 lb	\$2,325.00
200,000 lb	<b>34857</b>	75 lb	\$3,598.00

**Dimensions**

Rated Capacity	D	D1	D2	H	H1	H2	H3	R	R1	T
50,000 lb/in	4.50	1.25	2.38	7.50	1.17	0.75	0.75	8.00	3.75	3/8-24 UNF × .63 DP
100,000	5.75	1.75	4.00	9.13	2.00	0.87	1.05	12.00	4.05	1/2-20 UNF × .75 DP
200,000	7.50	2.50	5.50	11.63	2.93	0.97	0.97	12.00	5.11	5/8-18 UNF × 25.4 DP



**Interchangeable Products**

VPG® REVERE  
**792**

**Specifications**

**Full Scale Output:**  
2.0 mV/V

**Output Resistance:**  
350 (± 3.5) ohm

**Input Resistance:**  
350 (± 3.5) ohm

**Material/Finish:**  
Stainless steel

**Temperature:**  
Compensated range  
14 °F to 104 °F (-10 °C to 40 °C)  
Operating range  
0 °F to 150 °F (-18 °C to 65 °C)

**Seal Type:**  
Hermetically sealed, IP68

**Safe Overload:**  
150% full scale

**Rated Excitation:**  
10 VDC (15 V maximum)

**Non-repeatability:**  
0.01% full scale

**Combined Error:**  
0.03% full scale

**Insulation Resistance:**  
> 1,000 megohm

**Deflection at Capacity:**  
50,000 lb: 0.004 in  
100,000 lb: 0.006 in  
200,000 lb: 0.009 in

**Cable Length:**  
35 ft

**Cable Color Code:**  
Green +Excitation  
Black -Excitation  
White +Signal  
Red -Signal  
Orange Shield

**Warranty:**  
Two-year limited

**Approvals:**  
cFMus  
NTEP 92-218

ROCKER COLUMN  
**RLSCA-50K**

Stainless Steel, Welded Seal, NTEP Certified 1:10,000 Class III Multiple Cell, IP67

LOAD CELLS /  
 WEIGH MODULES



Picture is a representation of actual product.

Approvals



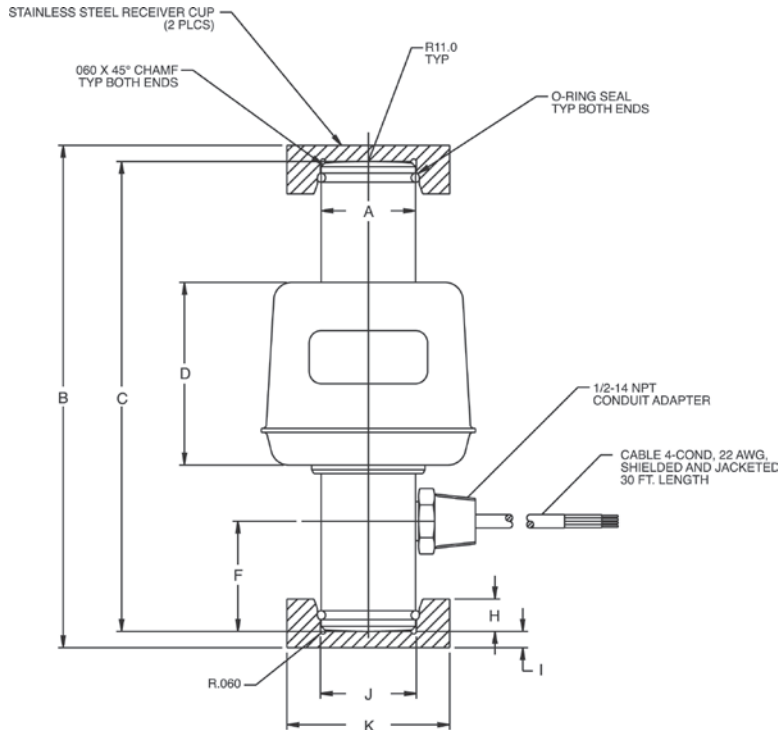
Order Information

Load Rating	Part #	Est. Weight	Price
50,000 lb*	<b>68918</b>	7 lb	\$1,055.00
Replacement Parts			
Replacement load cup set upper and lower included	<b>85433</b>	1 lb	\$100.00
Replacement O-ring	<b>92988</b>	1 lb	\$1.00/each

\*Load cell supplied with load cups

Dimensions

Rated Capacity	A	B	C	D	F	H	I	J	K
50,000 lb/in	1.46	7.75	7.25	2.82	1.70	0.50	0.25	1.48	2.50



Interchangeable Products

CARDINAL®  
**SCA-50K**

Specifications

- Full Scale Output:**  
2 mV/V nominal
- Output Resistance:**  
1,050 (± 10) ohm
- Input Resistance:**  
1,100 to 1,500 ohm
- Material/Finish:**  
Stainless steel
- Temperature:**  
Compensated range  
14 °F to 104 °F (-10 °C to 40 °C)  
Operating range  
0 °F to 150 °F (-18 °C to 65 °C)
- Seal Type:**  
Welded-seal, IP67
- Safe Overload:**  
150% full scale
- Rated Excitation:**  
5 to 10 VDC (15 V maximum)
- Combined Error:**  
0.025% full scale
- Non-repeatability:**  
0.01% full scale
- Insulation Resistance:**  
1,000 megohm
- Cable Length:**  
30 ft
- Cable Diameter:**  
0.200 in  
Polyurethane jacket
- Cable Color Code:**  
Green +Excitation  
Black -Excitation  
Red +Signal  
White -Signal
- Warranty:**  
Two-year limited
- Approvals:**  
NTEP 01-073  
cFMus

# RL70510/RL80453

Stainless Steel, Hermetically Sealed, NTEP Certified 1:10,000 Class III L, IP69K

LOAD CELLS / WEIGH MODULES



Picture is a representation of actual product.

### Approvals



### Order Information: RL70510

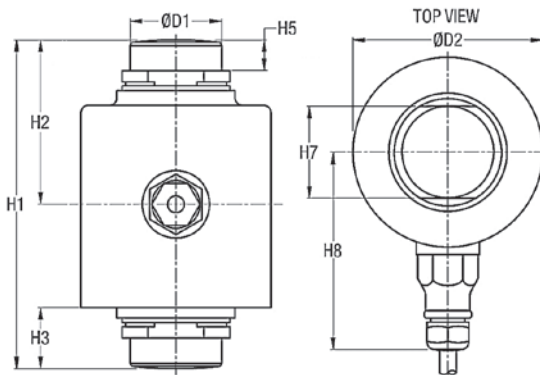
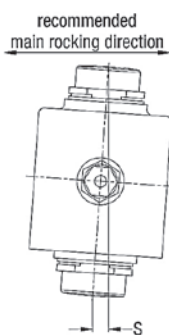
Load Rating	Part #	Est. Weight	Price
30t	169363	6 lb	\$1,044.00
Upper load cup	109332	4 lb	\$143.00
Lower load cup	109331	4 lb	\$116.00

### Order Information: RL80453

Load Rating	Part #	Est. Weight	Price
100,000 lb	169365	6 lb	\$1,070.00
Upper load cup	109332	4 lb	\$143.00
Lower load cup	109331	4 lb	\$116.00

### Dimensions

Rated Capacity	H1	H2	H3	H5	H7	H8	D1	D2
t/in								
30	5.51	2.76	1.02	0.51	1.54	3.32	1.54	3.18
lb/in								
100,000	5.91	2.95	1.30	0.51	1.54	3.32	1.54	3.18



### Interchangeable Products

FAIRBANKS®	
70510	LCF HR 4020-2A
FAIRBANKS	
80453	LCF HR 4020-21

### Specifications

**Full Scale Output:**

2.0 mV/V

**Output Resistance:**

1,000 (± 2) ohm

**Input Resistance:**

1,150 (± 50) ohm

**Material/Finish:**

Stainless steel

**Temperature:**

Compensated range

14 °F to 104 °F (-10 °C to 40 °C)

Operating range

0 °F to 150 °F (-18 °C to 65 °C)

**Seal Type:**

Hermetically sealed, IP69K

**Safe Overload:**

200% full scale

**Rated Excitation:**

5 to 10 VDC (15 V max)

**Combined Error:**

0.02% full scale

**Insulation Resistance:**

5,000 megohm

**Cable Length:**

15 ft

**Cable Diameter:**

0.200 in

Stainless steel overbraid cable

**Cable Color Code:**

Green +Excitation

Black -Excitation

White +Signal

Red -Signal

Yellow Shield

**Warranty:**

Two-year limited

**Approvals:**

NTEP 15-057

# RL75114-50K

Stainless Steel, Welded Seal, NTEP Certified 1:10,000 Class III L, IP67

LOAD CELLS /  
WEIGH MODULES



Picture is a representation of actual product.

### Approvals



### Order Information

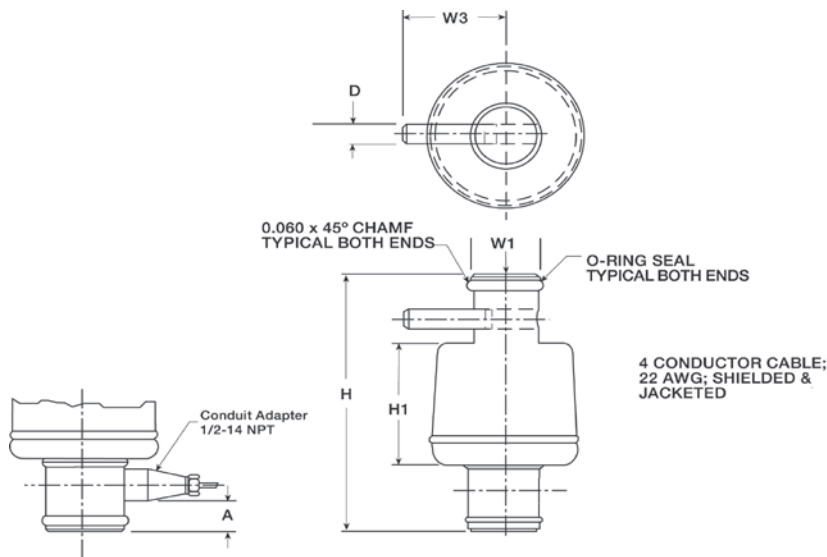
Load Rating	Part #	Est. Weight	Price
50,000 lb LE	88074	6 lb	\$1,266.00
Replacement Parts			
Replacement O-ring	92988	1lb	\$1.00
Spring pin	116181	1 lb	\$5.00

LE=Large envelope

Not interchangeable with Sensortronics 65114 - different mV/V

### Dimensions

Rated Capacity	A	D	H	H1	W1	W3
50,000 LE	0.87	0.38	7.56	2.82	1.46	2.18



### Interchangeable Products

FAIRBANKS®

64166..... LCF HR 4020-2

### Specifications

**Full Scale Output:**

1.8 mV/V nominal

**Output Resistance:**

1,000 (± 10) ohm

**Input Resistance:**

1,000 ohm

**Material/Finish:**

Stainless steel

**Temperature:**

Compensated range

14 °F to 104 °F (-10 °C to 40 °C)

Operating range

0 °F to 150 °F (-18 °C to 65 °C)

**Seal Type:**

Welded-seal, IP67

**Safe Overload:**

150% full scale

**Rated Excitation:**

5 to 10 VDC

**Combined Error:**

0.025% full scale

**Non-repeatability:**

0.01% full scale

**Insulation Resistance:**

1,000 megohm

**Cable Length:**

30 ft

**Cable Diameter:**

0.200 in overbraid cable

**Cable Color Code:**

Green +Excitation

Black -Excitation

White +Signal

Red -Signal

**Warranty:**

Two-year limited

**Approvals:**

NTEP 06-022

cFMus





25K shown

5K shown

Load cup sold separately on 5,000 and 10,000 lb models.

Picture is a representation of actual product.

**Approvals**



**Order Information**

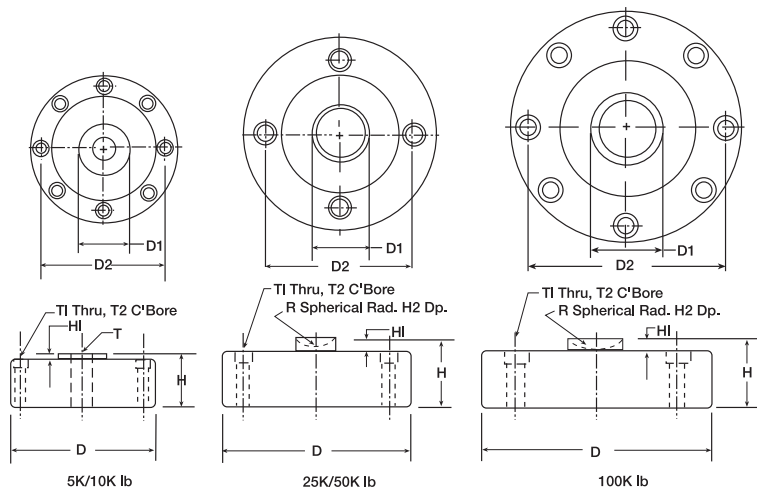
Load Rating	Part #	Est. Weight	Price
5,000 lb*	<b>33061</b>	6 lb	\$689.00
10,000 lb*	<b>33062</b>	6 lb	\$689.00
25,000 lb	<b>33063</b>	9 lb	\$843.00
50,000 lb	<b>33064</b>	9 lb	\$843.00
100,000 lb	<b>33065</b>	13 lb	\$990.00
Load Cup**	<b>33616</b>		\$37.00

\*5,000lb and 10,000lb models can be used in compression and tension load applications.

\*\*Load cup, PN 33616, is required for compression applications on 5,000lb and 10,000lb capacity load cells.

**Dimensions**

Rated Capacity	T	R	D	D1	D2	H	H1	H2	T1	T2
5,000* to 10,000*	5/8-18 UNF-3B	—	4.12	1.26	3.50	1.37	0.12	—	0.28	0.406 x 0.283 DP
25,000 to 50,000	—	0.875	4.75	1.53	4.00	2.12	0.50	0.30	0.34	0.508 x 0.38 DP
100,000	—	0.875	5.50	1.98	4.60	2.25	0.25	0.30	0.41	0.626 x 0.4 DP



**Interchangeable Products**

VPG® CELTRON  
LCD

**Specifications**

**Full Scale Output:**  
4.0 mV/V

**Output Resistance:**  
5,000 to 50,000 lb: 350 (± 3) ohm  
100,000 lb: 700 (± 5) ohm

**Input Resistance:**  
5,000 to 50,000 lb: 385 (± 5) ohm  
100,000 lb: 770 (± 70) ohm

**Material/Finish:**  
High-alloy steel, nickel plated

**Temperature:**  
Operating range  
0 °F to 150 °F (-18 °C to 65 °C)

**Seal Type:**  
Environmentally sealed, IP67

**Safe Overload:**  
150% full scale

**Safe Sideload:**  
100% full scale

**Rated Excitation:**  
15 VDC (15 V maximum)

**Nonlinearity:**  
0.05% full scale

**Hysteresis:**  
0.02% full scale

**Insulation Resistance:**  
2,000 megohm

**Cable Length:**  
50 ft

**Cable Diameter:**  
5,000 to 25,000 lb: 0.200 in  
50,000 to 100,000 lb: 0.305 in Polyurethane jacket

**Cable Color Code:**  
Red +Excitation  
Black -Excitation  
Green +Signal  
White -Signal

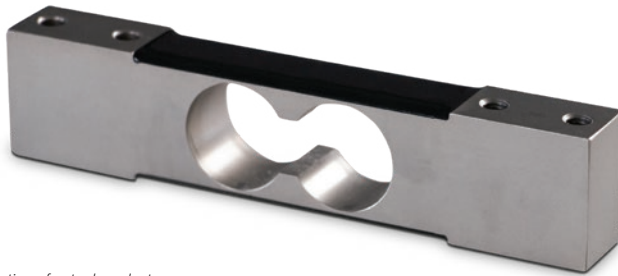
**Warranty:**  
Two-year limited

**Approvals:**  
cFMus

SINGLE POINT  
**RLPC3SS**

Stainless Steel, Environmentally Sealed, NTEP Certified 1:3,000 Class III Single Cell, IP67

LOAD CELLS /  
WEIGH MODULES



Picture is a representation of actual product.

Approvals

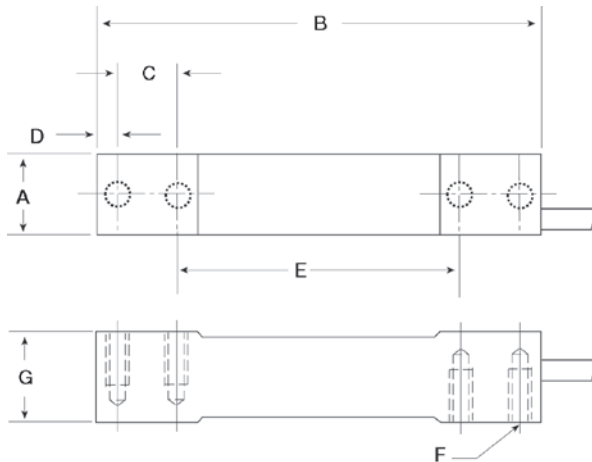


Order Information

Load Rating	Part #	Est. Weight	Price
7 kg	205274	2 lb	\$328.00
10 kg	205275	2 lb	\$328.00
30 kg	205276	2 lb	\$328.00
60 kg	205277	2 lb	\$328.00
100 kg	205278	2 lb	\$328.00
150 kg	205279	2 lb	\$328.00

Dimensions

Rated Capacity	A	B	C	D	E	F	G
kg/mm							
7 to 10	18.4	139.8	19.0	6.6	88.7	M6 × 1.0	30.1
30 to 60	18.4	139.8	19.0	6.6	88.7	M6 × 1.0	30.0
100 to 150	30.2	139.7	22.3	7.8	79.2	3/8-16 UNC	30.7



Interchangeable Products

RICE LAKE WEIGHING SYSTEMS

**RL1380**

FLINTEC

**PC3**

HBK®

**PWS**

Specifications

**Full Scale Output:**

2 mV/V

**Output Resistance:**

350 (± 10) ohm

**Input Resistance:**

385 (± 15) ohm

**Material Finish:**

Stainless steel

**Temperature Compensation:**

Compensated range

14 °F to 104 °F (-10 °C to 40 °C)

Operating range

0 °F to 150 °F (-18 °C to 65 °C)

**Seal Type:**

Environmentally sealed, IP67

**Safe Overload:**

150% full scale

**Rated Excitation:**

5 to 10 VDC

**Insulation Resistance:**

5,000 megohm

**Max Platform Size:**

7 kg to 30 kg: 350 × 350 mm

60 kg to 150 kg: 450 × 450 mm

**Combined Error:**

0.02% full scale

**Cable Length:**

10 ft

**Cable Diameter:**

0.140 in polyurethane jacket

**Color Code:**

Green +Excitation

Black -Excitation

White +Signal

Red -Signal

Yellow Shield

**Warranty:**

One-year limited

**Approvals:**

NTEP 21-017

OIML R60/2017-A-NL1-21.17



Picture is a representation of actual product.

**Approvals**

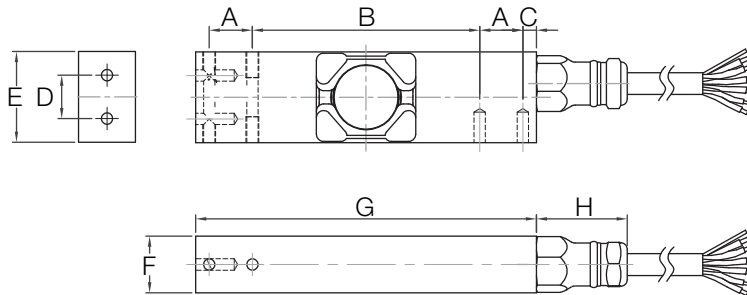


**Order Information**

Load Rating	Part #	Est. Weight	Price
10 kg	205270	3 lb	\$630.00
20 kg	205271	3 lb	\$630.00
50 kg	205272	3 lb	\$630.00
100 kg	205273	3 lb	\$630.00

**Dimensions**

Rated Capacity	A	B	C	D	E	F	G	H
kg/mm								
10 to 100	19.0	100.0	6.0	19.1	40.0	25.0	150.0	40.0



**Interchangeable Products**

FLINTEC  
**PC4**  
HBK®  
**PW15AH\***  
\*350 Ohm

**Specifications**

- Full Scale Output:**  
2 mV/V
- Output Resistance:**  
960 (± 50) ohm
- Input Resistance:**  
1100 (± 50) ohm
- Material Finish:**  
Stainless steel
- Temperature Compensation:**  
Compensated range  
14 °F to 104 °F (-10 °C to 40 °C)  
Operating range  
0 °F to 150 °F (-18 °C to 65 °C)
- Seal Type:**  
Hermetically sealed, IP69K
- Safe Overload:**  
150% full scale
- Rated Excitation:**  
5 to 10 VDC
- Insulation Resistance:**  
> 5,000 megohm
- Max Platform Size:**  
500 × 400 mm
- Combined Error:**  
0.02% full scale
- Cable Length:**  
10 ft
- Color Code:**  
Green +Excitation  
Black -Excitation  
White +Signal  
Red -Signal  
Blue +Sense  
Brown -Sense  
Yellow Shield
- Warranty:**  
One-year limited
- Approvals:**  
NTEP 21-016  
OIML R60/2017-A-NL1-21.18

SINGLE POINT  
**RLPC6**

Stainless Steel, Hermetically Sealed, NTEP Certified 1:5,000 Class III Single Cell, IP69K

LOAD CELLS /  
WEIGH MODULES



Picture is a representation of actual product.

Approvals

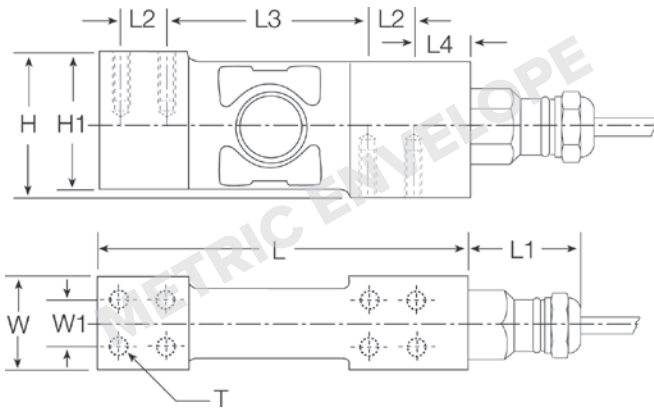


Order Information

Load Rating	Part #	Est. Weight	Price
10 kg	87027	3 lb	\$630.00
20 kg	87028	3 lb	\$630.00
50 kg	87029	3 lb	\$630.00
100 kg	87030	3 lb	\$630.00
200 kg	87031	3 lb	\$630.00

Dimensions

Rated Capacity	H	H1	L	L1	L2	L3	L4	W	W1	T
kg/mm										
10 to 200	48.0	45.5	123.0	41.0	15.2	67.6	17.8	30.1	15.2	8 x M6/15 DP



Interchangeable Products

FLINTEC  
**PC6**

Specifications

**Full Scale Output:**

2.0 mV/V

**Output Resistance:**

960 (± 50) ohm, nominal

**Input Resistance:**

1,100 (± 50) ohm

**Material/Finish:**

Stainless steel

**Temperature:**

Compensated range

14 °F to 104 °F (-10 °C to 40 °C)

Operating range

0 °F to 150 °F (-18 °C to 65 °C)

**Seal Type:**

Hermetically sealed, IP69K

**Safe Overload:**

200% full scale

**Safe Sideload:**

100% full scale

**Rated Excitation:**

5 to 10 VDC

**Combined Error:**

0.02% full scale

**Insulation Resistance:**

5,000 megohm

**Cable Length:**

10 ft

**Cable Diameter:**

0.196 in

Polyurethane jacket

**Cable Color Code:**

Green +Excitation

Black -Excitation

White +Signal

Red -Signal

Yellow Shield

**Max Deflection:**

0.006 to 0.010 in

**Max Platform Size:**

24 × 24 in

**Warranty:**

Two-year limited

**Approvals:**

FM

NTEP 06-011



Picture is a representation of actual product.

**Approvals**

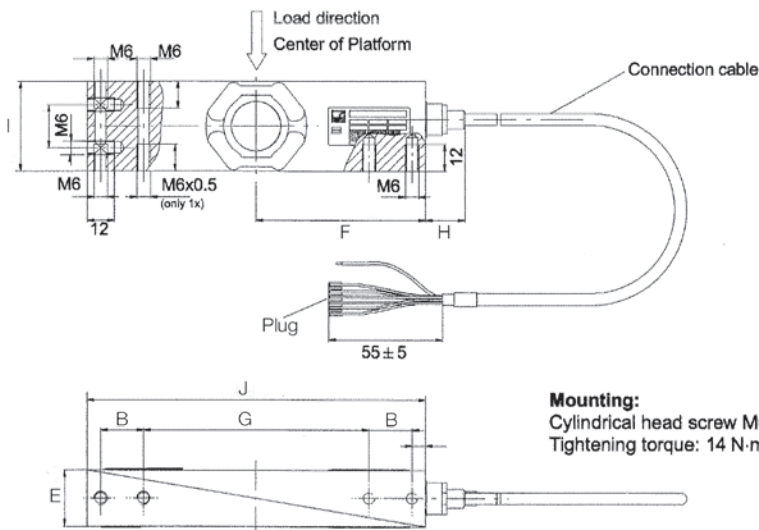


**Order Information**

Load Rating	Part #	Est. Weight	Price
<b>10 ft Cable</b>			
10 kg	<b>108685</b>	3 lb	\$768.00
20 kg	<b>108686</b>	3 lb	\$768.00
50 kg	<b>108687</b>	3 lb	\$768.00
100 kg	<b>108688</b>	3 lb	\$768.00
<b>2.83 ft Cable</b>			
10 kg	<b>107174</b>	3 lb	\$768.00
20 kg	<b>107175</b>	3 lb	\$768.00
50 kg	<b>107176</b>	3 lb	\$768.00
100 kg	<b>107177</b>	3 lb	\$768.00

**Dimensions**

Rated Capacity	B	E	F	G	H	I	J
kg/mm							
10 to 100	19.0	25.0	75.0	100.0	17.5	40.0	150.0



**Mounting:**  
Cylindrical head screw M6-10.9  
Tightening torque: 14 N·m

**Interchangeable Products**

HBK®  
PW15AH

**Specifications**

**Full Scale Output:**  
2.0 mV/V

**Output Resistance:**  
350 (± 10) ohm

**Input Resistance:**  
380 (± 15) ohm

**Material/Finish:**  
Stainless steel

**Temperature:**  
Compensated range  
14 °F to 104 °F (-10 °C to 40 °C)  
Operating range  
0 °F to 150 °F (-18 °C to 65 °C)

**Seal Type:**  
Hermetically sealed, IP69K

**Safe Overload:**  
150% full scale

**Rated Excitation:**  
5 to 10 VDC (15 V maximum)

**Combined Error:**  
0.02% full scale

**Insulation Resistance:**  
1,000 megohm

**Cable Length:**  
10 ft  
2.83 ft

**Cable Diameter:**  
0.212 in PVC jacket

**Platform Size:**  
500 × 400 mm

**Cable Color Code:**  
Blue +Excitation  
Black -Excitation  
White +Signal  
Red -Signal  
Green +Sense  
Grey -Sense

**Warranty:**  
Two-year limited

**Approvals:**  
FM  
NTEP 09-015

LOAD CELLS / WEIGH MODULES

# RLPWM15

Stainless Steel, Environmentally Sealed, NTEP Certified 1:5,000 Class III Single Cell, IP67

LOAD CELLS /  
WEIGH MODULES



Picture is a representation of actual product.

### Approvals

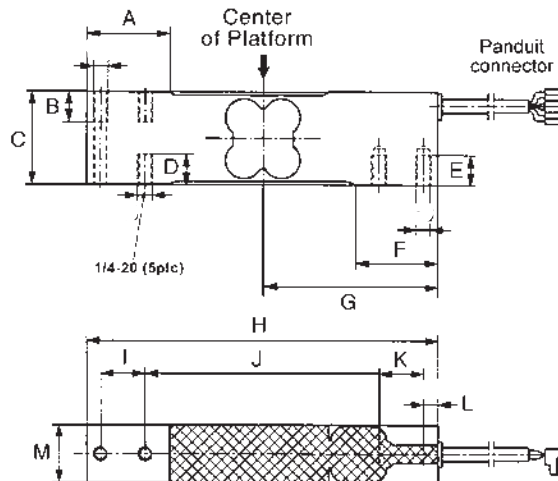


### Order Information

Load Rating	Part #	Est. Weight	Price
10 kg	119904	1 lb	\$344.00
15 kg	119912	1 lb	\$344.00
20 kg	119905	1 lb	\$344.00
50 kg	119908	1 lb	\$344.00
75 kg	119909	1 lb	\$344.00
100 kg	119910	1 lb	\$344.00

### Dimensions

Rated Capacity	A	B	C	D	E	F	G	H	I	J	K	L	M	T
kg/mm														
10 to 100	35.0	13.0	40.0	13.0	13.0	35.0	75.0	150.0	19.0	100.0	19.0	6.2	25.0	1/4-20 UNC



### Interchangeable Products

HBK®  
**PW15**  
VPG® TEDEA-HUNTLEIGH  
**1142**

### Specifications

- Full Scale Output:**  
2.0 mV/V
- Bridge Resistance:**  
350 ohm, nominal
- Material/Finish:**  
Stainless steel
- Temperature:**  
Compensated range  
14 °F to 104 °F (-10 °C to 40 °C)  
Operating range  
0 °F to 150 °F (-18 °C to 65 °C)
- Seal Type:**  
Environmentally sealed, IP67
- Safe Overload:**  
150% full scale
- Rated Excitation:**  
5 to 10 VDC (15 V maximum)
- Combined Error:**  
0.02% full scale
- Insulation Resistance:**  
1,000 megohm
- Cable Length:**  
10 ft
- Cable Diameter:**  
0.190 in PVC jacket
- Max Platform Size:**  
15 × 15 in
- Cable Color Code:**  
Blue +Excitation  
Black -Excitation  
White +Signal  
Red -Signal  
Green +Sense  
Grey -Sense
- Warranty:**  
Two-year limited
- Approvals:**  
FM  
NTEP 11-038





Picture is a representation of actual product.

**Approvals**

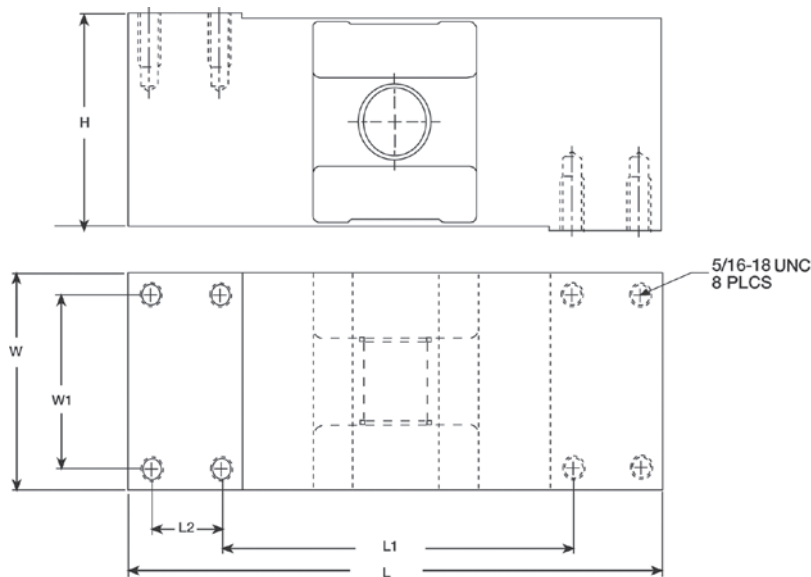


**Order Information**

Load Rating	Part #	Est. Weight	Price
50 kg	<b>87022</b>	12 lb	\$980.00
100 kg	<b>87023</b>	12 lb	\$980.00
250 kg	<b>87024</b>	13 lb	\$980.00
500 kg	<b>87025</b>	13 lb	\$980.00
1,000 kg	<b>87026</b>	15 lb	\$980.00

**Dimensions**

Rated Capacity	L	L1	L2	W	W1	H
kg/mm						
50 to 1,000	190.5	107.0	35.0	73.7	50.0	73.7



**Specifications**

**Full Scale Output:**  
2 mv/v

**Output Resistance:**  
960 (± 50) ohm

**Input Resistance:**  
1,100 (± 50) ohm

**Material/Finish:**  
Stainless steel

**Temperature:**  
Compensated range  
14 °F to 104 °F (-10 °C to 40 °C)  
Operating range  
0 °F to 150 °F (-18 °C to 65 °C)

**Seal Type:**  
Hermetically sealed, IP69K

**Safe Overload:**  
200% full scale

**Safe Sideload:**  
100% full scale

**Rated Excitation:**  
5 to 10 VDC

**Combined Error:**  
0.020% full scale

**Insulation Resistance:**  
5,000 megohm

**Cable Length:**  
10 ft

**Cable Diameter:**  
0.196 in  
Polyurethane jacket

**Cable Color Code:**  
Green +Excitation  
Black -Excitation  
White +Signal  
Red -Signal  
Blue +Sense  
Brown -Sense  
Yellow Shield

**Max Platform Size:**  
24 × 24 in

**Warranty:**  
Two-year limited

**Approvals:**  
FM  
NTEP 07-094

SINGLE POINT  
**RL1521A**

Aluminum, Environmentally Sealed, NTEP Certified 1:5,000 Class III Single Cell, IP66

LOAD CELLS /  
WEIGH MODULES



Picture is a representation of actual product.

Approvals

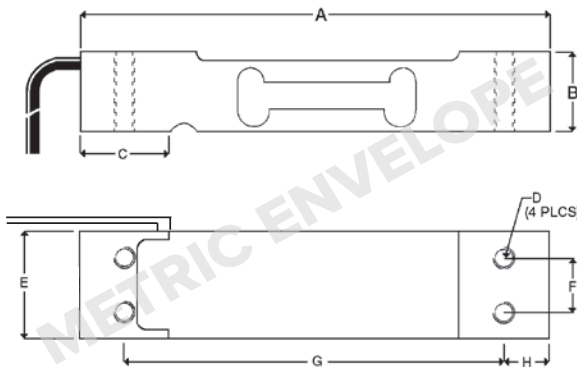


Order Information:

Load Rating	Part #	Est. Weight	Price
<b>1.50 ft Cables</b>			
3 kg	50620	1 lb	\$148.00
5 kg	50619	1 lb	\$148.00
7 kg	50621	1 lb	\$148.00
10 kg	50622	1 lb	\$148.00
15 kg	50623	1 lb	\$148.00
20 kg	50624	1 lb	\$148.00
30 kg	50625	1 lb	\$148.00
35 kg	50626	1 lb	\$148.00
<b>10 ft Cables</b>			
3 kg	132261	3 lb	\$148.00
5 kg	132262	3 lb	\$148.00
7 kg	132263	3 lb	\$148.00
10 kg	132264	3 lb	\$148.00
15 kg	132265	3 lb	\$148.00
20 kg	132266	3 lb	\$148.00
30 kg	132267	3 lb	\$148.00
35 kg	132268	3 lb	\$148.00

Dimension

Rated Capacity	A	B	C	D	E	F	G	H
kg/mm								
3 to 7	130.0	22.0	25.0	M6 × 1.0	25.4	15.0	106.0	12.0
10 to 30	130.0	22.0	25.0	M6 × 1.0	30.0	15.0	106.0	12.0
35	130.0	22.0	25.0	M6 × 1.0	40.0	15.0	106.0	12.0



Interchangeable Products

- VPG® CELTRON
- LPS except 3 kg
- VPG® TEDEA-HUNTLEIGH
- 1022
- VPG® BLH
- C2G1
- FAIRBANKS®
- 4900 Series
- Checkweighers
- NMB®
- C2G1
- ARTECH®
- 61022

Specifications

- Full Scale Output:**  
2.0 mV/V
- Output Resistance:**  
350 (± 3) ohm
- Input Resistance:**  
410 (± 15) ohm
- Material/Finish:**  
Aluminum
- Temperature:**  
Compensated range  
14 °F to 104 °F (-10 °C to 40 °C)  
Operating range  
0 °F to 150 °F (-18 °C to 65 °C)
- Seal Type:**  
Environmentally sealed, IP66
- Safe Overload:**  
150% full scale
- Rated Excitation:**  
5 to 10 VDC (15 V maximum)
- Combined Error:**  
0.03% full scale
- Insulation Resistance:**  
2,000 megohm
- Cable Length:**  
10 ft  
1.50 ft
- Cable Diameter:**  
0.14 in PVC jacket
- Cable Color Code:**  
Green +Excitation  
Black -Excitation  
Red +Signal  
White -Signal
- Max Platform Size:**  
13.75 × 13.75 in
- Warranty:**  
Two-year limited
- Approvals:**  
cFMus  
NTEP 98-166



Picture is a representation of actual product.

**Approvals**

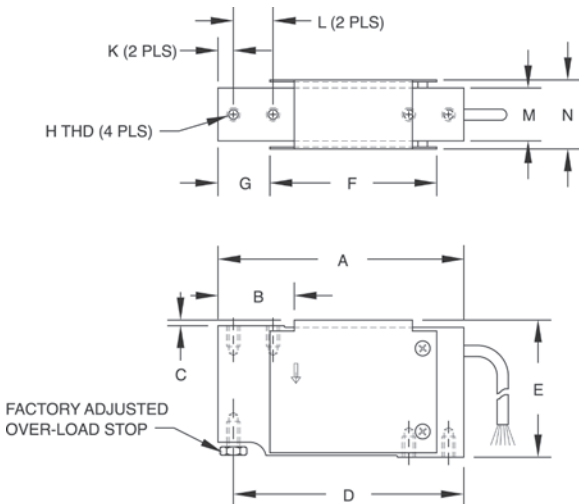


**Order Information**

Load Rating	Part #	Est. Weight	Price
<b>NTEP Certified, Potted</b>			
10 kg	50819	2 lb	\$205.00
15 kg	50820	2 lb	\$205.00
20 kg	50821	2 lb	\$205.00
30 kg	50822	2 lb	\$205.00
50 kg	50823	2 lb	\$205.00
<b>Non-NTEP Certified, Potted</b>			
7 kg	17529	2 lb	\$205.00
10 kg	17530	2 lb	\$205.00
15 kg	17531	2 lb	\$195.00
20 kg	17532	2 lb	\$205.00
30 kg	17533	2 lb	\$205.00
50 kg	17534	2 lb	\$205.00
90 kg	17535	2 lb	\$205.00
<b>Non-NTEP Certified, Unpotted</b>			
3 kg	17527	1 lb	\$190.00
5 kg	17528	1 lb	\$190.00

**Dimensions**

Rated Capacity	A	B	C	D	E	F	G	H	K	L	M	N
kg/mm												
3 to 90	118.1	34.0	3.0	110.5	66.0	80.0	25.0	1/4-20 UNC x 13 DP	7.5	19.1	25.4	33.5



**Interchangeable Products**

VPG® TEDEA-HUNTLEIGH  
1010/1015

**Specifications**

- Full Scale Output:**  
2.0 mV/V
- Output Resistance:**  
350 (± 3) ohm, nominal
- Input Resistance:**  
415 (± 15) ohm
- Material/Finish:**  
Anodized aluminum
- Temperature:**  
Compensated range  
14 °F to 104 °F (-10 °C to 40 °C)  
Operating range  
0 °F to 150 °F (-18 °C to 65 °C)
- Seal Type:**  
Potted: IP67  
Unpotted: IP65
- Safe Overload:**  
150% at center of loading point, full scale
- Rated Excitation:**  
5 to 10 VDC (15 V maximum)
- Combined Error:**  
0.02% full scale
- Insulation Resistance:**  
5,000 megohm
- Deflection at Capacity:**  
0.015 in
- Cable Length:**  
Potted: 10 ft  
Unpotted: 3 ft
- Cable Diameter:**  
0.200 in PVC jacket
- Cable Color Code:**  
Green +Excitation  
Black -Excitation  
Red +Signal  
White -Signal  
Blue +Sense  
Brown -Sense
- Max Platform Size:**  
15.75 x 15.75 in
- Warranty:**  
Two-year limited
- Approvals:**  
cFMus  
NTEP 00-062

# RLSP4

Aluminum, Environmentally Sealed, NTEP Certified 1:5,000 Class III Single Cell, IP66

LOAD CELLS /  
WEIGH MODULES



Picture is a representation of actual product.

### Approvals

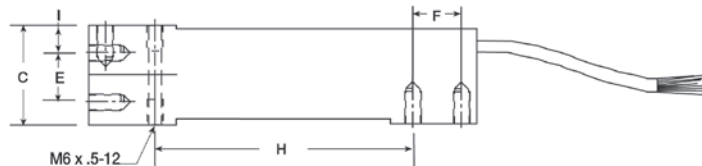
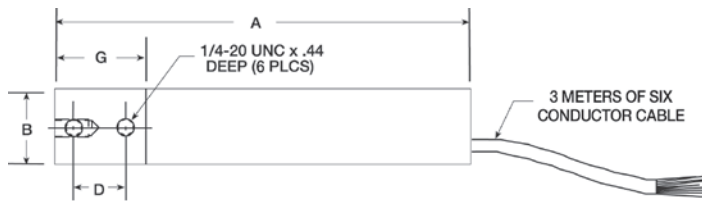


### Order Information

Load Rating	Part #	Est. Weight	Price
<b>NTEP Certified</b>			
7 kg	91725	2 lb	\$222.00
10 kg	91726	2 lb	\$222.00
15 kg	91727	2 lb	\$222.00
20 kg	91728	2 lb	\$222.00
30 kg	91729	2 lb	\$222.00
50 kg	91730	2 lb	\$222.00
75 kg	91731	2 lb	\$222.00
100 kg	91732	2 lb	\$222.00

### Dimensions

Rated Capacity	A	B	C	D	E	F	G	H	I
kg/mm									
5 to 100	150.3	25.4	39.9	19.1	19.1	19.1	33.8	99.6	11.4



### Interchangeable Products

HBK®  
SP4M

### Specifications

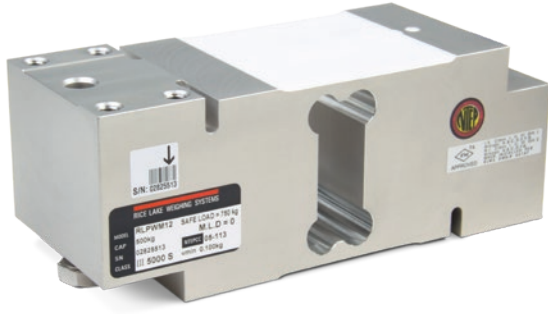
- Full Scale Output:** 2.0 mV/V
- Output Resistance:** 350 (± 3) ohm
- Input Resistance:** 350 ohm
- Material/Finish:** Anodized aluminum
- Temperature:** Compensated range 14 °F to 104 °F (-10 °C to 40 °C)  
Operating range 0 °F to 150 °F (-18 °C to 65 °C)
- Seal Type:** Environmentally sealed, IP66
- Safe Overload:** 150% full scale
- Rated Excitation:** 5 to 10 VDC (15 V maximum)
- Combined Error:** 0.02% full scale
- Insulation Resistance:** 5,000 megohm
- Deflection at Capacity:** 0.4 mm
- Cable Length:** 10 ft
- Cable Diameter:** 0.19 in PVC jacket
- Cable Color Code:** Green +Excitation  
Black -Excitation  
Red +Signal  
White -Signal  
Blue +Sense  
Brown -Sense  
Yellow Shield
- Max Platform Size:** 5 to 10 kg: 12 × 12 in  
15 to 30 kg: 18 × 18 in  
50 to 100 kg: 24 × 24 in
- Warranty:** Two-year limited
- Approvals:** FM  
NTEP 05-114

**Limited Stock Available**

SINGLE POINT  
**RLPWM12**

Aluminum, Environmentally Sealed, NTEP Certified 1:5,000 Class III Single Cell, IP67

**LOAD CELLS / WEIGH MODULES**



Picture is a representation of actual product.

**Approvals**

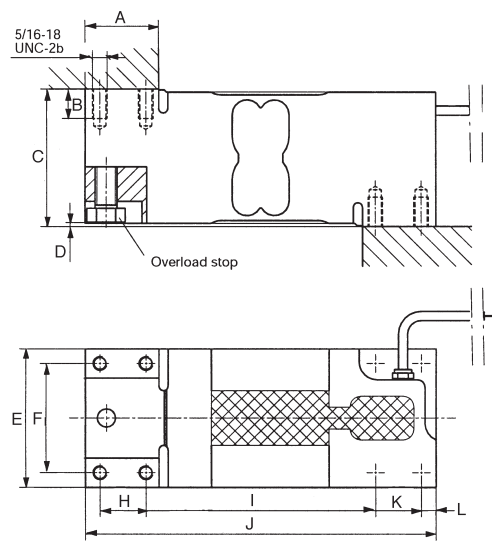


**Order Information**

Load Rating	Part #	Est. Weight	Price
500 kg	<b>91681</b>	6 lb	\$334.00
1,000 kg	<b>91683</b>	6 lb	\$334.00

**Dimensions**

Rated Capacity	A	B	C	D	E	F	H	I	J	K	L
kg/mm											
500 to 1,000	40.0	16.0	75.0	1.5	76.0	60.0	25.0	125.0	191.0	25.0	8.0



**Interchangeable Products**  
VPG® TEDEA-HUNTLEIGH  
**1250**

**Specifications**

- Full Scale Output:**  
2.0 mV/V
- Output Resistance:**  
330 to 450 ohm, nominal
- Input Resistance:**  
300 to 500 ohm
- Material/Finish:**  
Aluminum
- Temperature:**  
Compensated range  
14 °F to 104 °F (-10 °C to 40 °C)  
Operating range  
0 °F to 150 °F (-18 °C to 65 °C)
- Seal Type:**  
Environmentally sealed, IP67
- Safe Overload:**  
150% full scale
- Rated Excitation:**  
5 to 10 VDC (15 V maximum)
- Combined Error:**  
0.02% full scale
- Insulation Resistance:**  
1,000 megohm
- Cable Length:**  
10 ft
- Cable Diameter:**  
0.190 in PVC jacket
- Cable Color Code:**  
Green +Excitation  
Black -Excitation  
Red +Signal  
White -Signal  
Blue +Sense  
Brown -Sense
- Warranty:**  
Two-year limited
- Max Platform Size:**  
30 x 30 in
- Approvals:**  
FM  
NTEP 05-113

# RLPWM16

Aluminum, Environmentally Sealed, NTEP Certified 1:5,000 Class III Single Cell, IP67



LOAD CELLS / WEIGH MODULES



Picture is a representation of actual product.

**Approvals**

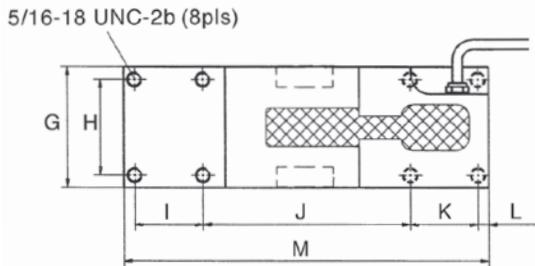
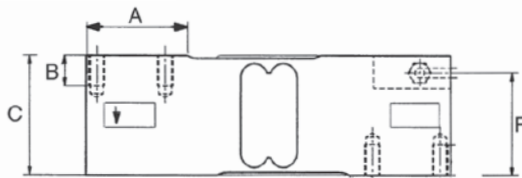


**Order Information**

Load Rating	Part #	Est. Weight	Price
75 kg	91686	5 lb	\$313.00

**Dimensions**

Rated Capacity	A	B	C	F	G	H	I	J	K	L	M
kg/mm											
75 to 150	52.0	16.0	62.3	52.3	63.0	50.0	35.0	107.0	35.0	5.5	188.0



**Interchangeable Products**

RICE LAKE WEIGHING SYSTEMS  
**RL1260**  
 VPG® TEDEA-HUNTLEIGH  
**1260**

**Specifications**

- Full Scale Output:**  
2.0 mV/V
- Output Resistance:**  
300 to 500 ohm
- Input Resistance:**  
300 to 500 ohm
- Material/Finish:**  
Aluminum
- Temperature:**  
Compensated range  
14 °F to 104 °F (-10 °C to 40 °C)  
Operating range  
0 °F to 150 °F (-18 °C to 65 °C)
- Seal Type:**  
Environmentally sealed, IP67
- Safe Overload:**  
150% full scale
- Rated Excitation:**  
5 to 10 VDC (15 V maximum)
- Combined Error:**  
0.02% full scale
- Insulation Resistance:**  
1,000 megohm
- Cable Length:**  
10 ft
- Cable Diameter:**  
0.190 in PVC jacket
- Max Platform Size:**  
24 × 24 in
- Deflection at Capacity**  
50 to 635 kg < 0.6 mm
- Cable Color Code:**  
Green +Excitation  
Black -Excitation  
Red +Signal  
White -Signal  
Blue +Sense  
Brown -Sense
- Warranty:**  
Two-year limited
- Approvals:**  
FM  
NTEP 05-112



**Limited Stock Available**

SINGLE POINT  
**RL1042**

Aluminum, Environmentally Sealed, NTEP Certified 1:5,000 Class III Single Cell, IP66



Picture is a representation of actual product.

**Approvals**

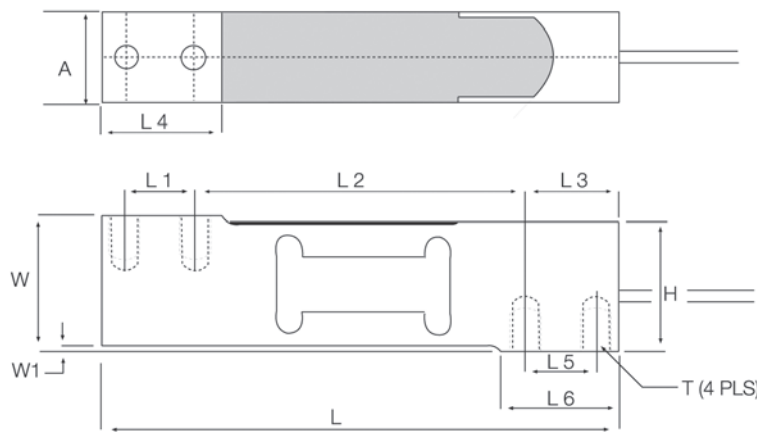


**Order Information**

Load Rating	Part #	Est. Weight	Price
1 kg	40955	1 lb	\$190.00
20 kg	40960	1 lb	\$190.00

**Dimensions**

Rated Capacity	A	H	L	L1	L2	L3	L4	L5	L6	W	W1	T
kg/mm												
1 to 20	20.0	39.0	150.0	19.0	100.0	25.0	34.0	19.0	34.0	40.0	1.0	1/4-20 UNC



**Interchangeable Products**

RICE LAKE WEIGHING SYSTEMS

**RLSP4**

VPG® TEDEA-HUNTLEIGH

**1042**

HBK®

**SP4M**

FLINTEC

**PC 42**

**Specifications**

**Full Scale Output:**

2.0 mV/V

**Output Resistance:**

350 (± 3) ohm

**Input Resistance:**

415 (± 15) ohm

**Material/Finish:**

Aluminum

**Temperature:**

Compensated range

14 °F to 104 °F (-10 °C to 40 °C)

Operating range

0 °F to 150 °F (-18 °C to 65 °C)

**Seal Type:**

Environmentally sealed, IP66

**Safe Overload:**

150% full scale

Over-center loading point

**Rated Excitation:**

5 to 10 VDC (15 V maximum)

**Combined Error:**

0.02% full scale

**Deflection at Capacity:**

0.015 in

**Insulation Resistance:**

2,000 megohm

**Cable Length:**

10 ft

**Cable Diameter:**

0.200 in PVC jacket

**Cable Color Code:**

Green +Excitation

Black -Excitation

Red +Signal

White -Signal

Blue +Sense

Brown -Sense

**Platform Size:**

16 × 16 in

**Warranty:**

Two-year limited

**Approvals:**

FM

NTEP 97-138

LOAD CELLS /  
WEIGH MODULES

SINGLE POINT  
**RL1040**

Aluminum, NTEP Certified 1:5,000 Class III Single Cell, Potted and Unpotted, IP65/IP67

LOAD CELLS /  
WEIGH MODULES



Picture is a representation of actual product.

Approvals

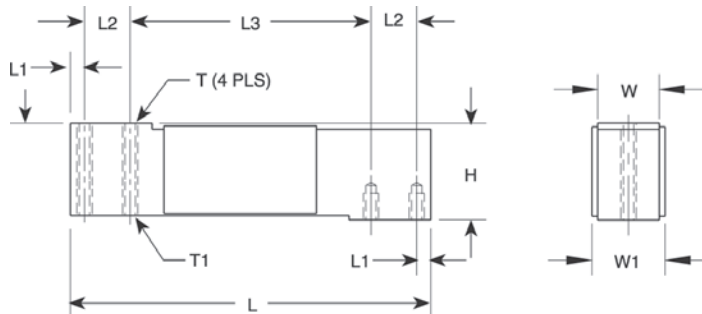


Order Information

Load Rating	Part #	Est. Weight	Price
<b>Potted IP67</b>			
7 kg	32860	2 lb	\$206.00
10 kg	32861	2 lb	\$206.00
15 kg	32862	2 lb	\$206.00
20 kg	32863	2 lb	\$206.00
30 kg	32864	2 lb	\$206.00
50 kg	32865	2 lb	\$206.00
100 kg	32866	2 lb	\$206.00
<b>Unpotted IP65</b>			
5 kg	32859	2 lb	\$206.00

Dimensions

Rated Capacity	H	L	L1	L2	L3	T	T1	W	W1
kg/mm									
5 to 100	40.0	150.0	5.95	19.1	100.0	1/4-20 UNC × 10 DP	1/4-28 UNF × 10 DP	25.4	29.4



Interchangeable Products

VPG® TEDEA-HUNTLEIGH  
**1040**  
CARDINAL  
**TSP**

Specifications

- Full Scale Output:** 2.0 mV/V
- Output Resistance:** 350 (± 3) ohm
- Input Resistance:** 415 (± 5) ohm
- Material/Finish:** Anodized aluminum
- Temperature:** Compensated range 14 °F to 104 °F (-10 °C to 40 °C)  
Operating range 0 °F to 150 °F (-18 °C to 65 °C)
- Seal Type:** Potted, IP67  
Unpotted, IP65
- Safe Overload:** 200% at center loading point, full scale
- Rated Excitation:** 5 to 10 VDC (15 V maximum)
- Combined Error:** 0.02% full scale
- Insulation Resistance:** 2,000 megohm
- Deflection at Capacity:** 0.4 mm
- Cable Length:** 10 ft
- Cable Diameter:** 0.200 in PVC jacket
- Cable Color Code:** Green +Excitation  
Black -Excitation  
Red +Signal  
White -Signal  
Blue +Sense  
Brown -Sense
- Max Platform Size:** 15.75 × 15.75 in
- Warranty:** Two-year limited
- Approvals:** cFMus  
NTEP 95-074



Picture is a representation of actual product.

**Approvals**

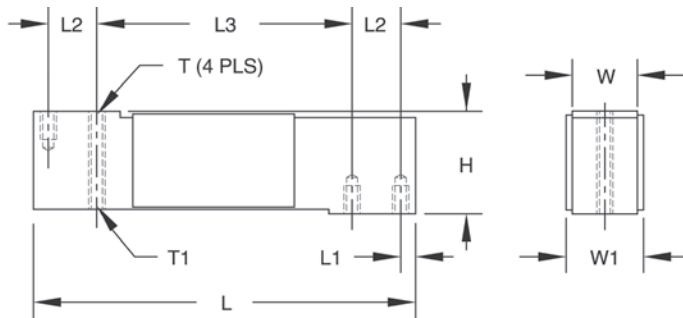


**Order Information**

Load Rating	Part #	Est. Weight	Price
15 kg	17544	3 lb	\$339.00
30 kg	17545	3 lb	\$339.00
50 kg	17546	3 lb	\$339.00
75 kg	17547	3 lb	\$339.00
100 kg	17548	3 lb	\$339.00
150 kg	36467	3 lb	\$339.00

**Dimensions**

Rated Capacity	H	L	L1	L2	L3	T	T1	W	W1
kg/mm									
15 to 150	40.0	150.0	6.0	19.1	100.0	1/4-20 UNC x 10 DP	1/4-28 UNF x 10 DP	25.4	29.4



**Interchangeable Products**

VPG® TEDEA-HUNTLEIGH  
**1140**

**Specifications**

- Full Scale Output:**  
2.0 mV/V
- Output Resistance:**  
350 (± 3) ohm, nominal
- Input Resistance:**  
415 (± 15) ohm
- Material/Finish:**  
Stainless steel
- Temperature:**  
Operating range  
0 ° F to 150 ° F (-18 ° C to 65 ° C)
- Seal Type:**  
Environmentally sealed, IP67
- Safe Overload:**  
200% at center loading point, full scale
- Rated Excitation:**  
5 to 10 VDC (15 V maximum)
- Combined Error:**  
0.02% full scale
- Insulation Resistance:**  
2,000 megohm
- Deflection at Capacity:**  
0.4 mm
- Cable Length:**  
10 ft
- Cable Diameter:**  
0.200 in PVC jacket
- Cable Color Code:**  
Green +Excitation  
Black –Excitation  
Red +Signal  
White –Signal  
Blue +Sense  
Brown –Sense
- Max Platform Size:**  
15.75 x 15.75 in
- Warranty:**  
Two-year limited
- Approvals:**  
cFMus

SINGLE POINT  
**RL1380**

Stainless Steel, Environmentally Sealed, NTEP Certified 1:3,000 Class III Single Cell, IP67

LOAD CELLS /  
WEIGH MODULES



Picture is a representation of actual product.

Approvals

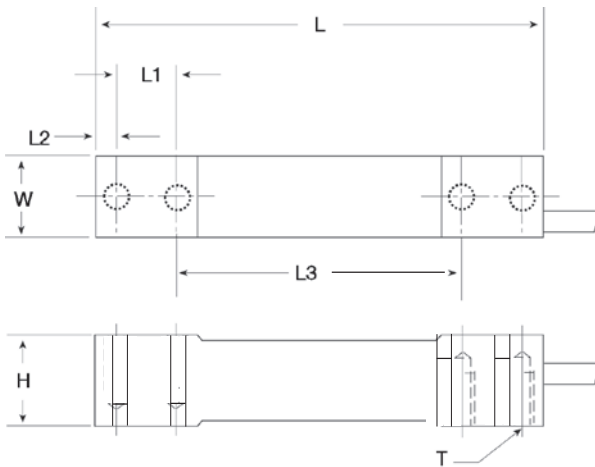


Order Information

Load Rating	Part #	Est. Weight	Price
7 kg	30783	2 lb	\$344.50
10 kg	30782	2 lb	\$344.50
15 kg	30781	2 lb	\$344.50
30 kg	30780	2 lb	\$344.50
60 kg	30779	2 lb	\$344.50

Dimensions

Rated Capacity	W	L	L1	L2	L3	T	H
kg/mm							
7 to 15	19.1	139.7	19.1	6.4	88.9	1/4-20 UNC	30.2
30 to 60	23.9	139.7	19.1	6.4	88.9	1/4-20 UNC	30.2



Interchangeable Products

HBK®  
PWS

Specifications

- Full Scale Output:**  
2.0 mV/V
- Output Resistance:**  
359 (± 10) ohm
- Input Resistance:**  
390 (± 15) ohm
- Material/Finish:**  
Stainless steel
- Temperature:**  
Compensated range  
14 °F to 104 °F (-10 °C to 40 °C)  
Operating range  
0 °F to 150 °F (-18 °C to 65 °C)
- Seal Type:**  
Environmentally sealed, IP67
- Safe Overload:**  
150% full scale
- Rated Excitation:**  
5 to 10 VDC (15 V maximum)
- Combined Error:**  
0.03% full scale
- Insulation Resistance:**  
5,000 megohm
- Cable Length:**  
10 ft
- Cable Diameter:**  
0.190 in polyurethane jacket
- Deflection:**  
< 0.4 mm full scale
- Max Platform Size:**  
15.75 × 15.75 in
- Cable Color Code:**  
Green +Excitation  
Black -Excitation  
White +Signal  
Red -Signal  
Yellow Shield
- Warranty:**  
Two-year limited
- Approvals:**  
FM  
NTEP 94-128



Picture is a representation of actual product.

**Approvals**

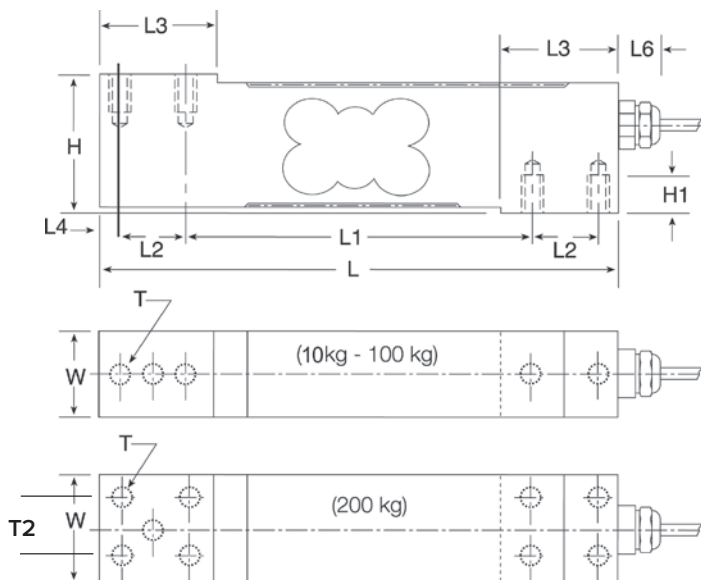


**Order Information**

Load Rating	Part #	Est. Weight	Price
<b>NTEP Certified</b>			
10 kg	41405	3 lb	\$328.00
15 kg	41233	3 lb	\$328.00
30 kg	41234	3 lb	\$328.00
50 kg	41235	3 lb	\$328.00
75 kg	41236	3 lb	\$328.00
<b>Non-NTEP Certified</b>			
100 kg	41237	3 lb	\$310.00
200 kg	41406	4 lb	\$477.00

**Dimensions**

Rated Capacity	H	H1	L	L1	L2	L3	L4	L6	W	T	T2
kg/mm											
10 to 100	40.0	10.0	150.0	100.0	19.0	32.0	6.0	20.0	25.4	1/4-20 UNC x 19.1 DP	N/A
200	40.0	10.0	150.0	100.0	19.0	32.0	6.0	20.0	38.1	1/4-20 UNC x 19.1 DP	25.4



**Interchangeable Products**

FLINTEC  
PC1

**Specifications**

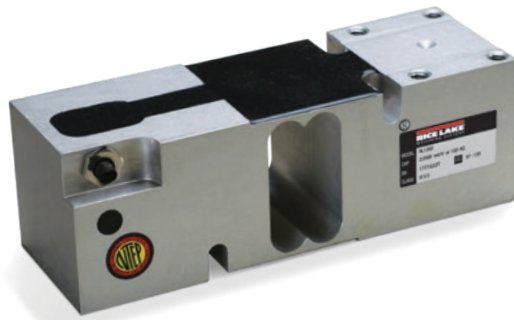
- Full Scale Output:** 2.0 mV/V
- Output Resistance:** 330 (± 25) ohm
- Input Resistance:** 390 (± 20) ohm
- Material/Finish:** Stainless steel
- Temperature:** Operating range 0 °F to 150 °F (-18 °C to 65 °C)
- Seal Type:** Environmentally sealed, IP67
- Safe Overload:** 200% full scale
- Rated Excitation:** 5 VDC (15 V maximum)
- Combined Error:** 0.02% full scale
- Insulation Resistance:** 5,000 megohm
- Cable Length:** 10 ft
- Cable Diameter:** 0.196 in polyurethane jacket
- Max Platform Size:** 18 × 18 in
- Cable Color Code:** Green +Excitation, Black -Excitation, White +Signal, Red -Signal, Yellow Shield
- Warranty:** Two-year limited
- Approvals:** FM, NTEP 00-125

SINGLE POINT  
**RL1260**

Aluminum, Environmentally Sealed, NTEP Certified 1:5,000 Class III Single Cell, IP67

**Limited Stock Available**

**LOAD CELLS / WEIGH MODULES**



Picture is a representation of actual product.

**Approvals**

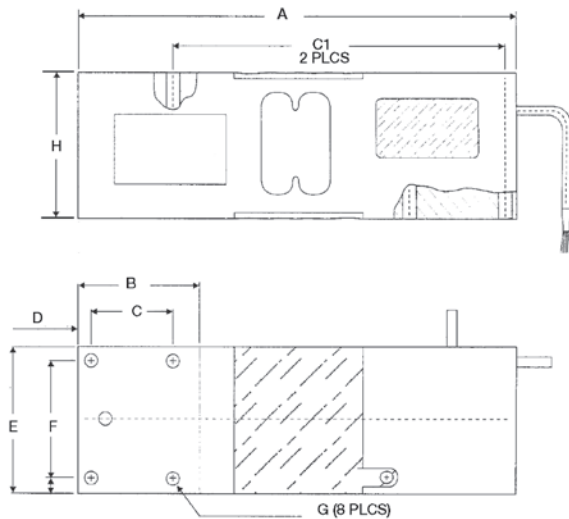


**Order Information**

Load Rating	Part #	Est. Weight	Price
75 kg	41021	5 lb	\$328.00
300 kg	41025	5 lb	\$328.00

**Dimensions**

Rated Capacity	A	B	C	C1	D	E	F	G	H
kg/mm									
75 and 300	188.0	52.0	35.0	142.0	5.5	63.5	50.0	5/16-18UNC	62.3



**Interchangeable Products**

RICE LAKE WEIGHING SYSTEMS

**RLPWM16**

RICE LAKE WEIGHING SYSTEMS

**RL26018A**

VPG® TEDEA-HUNTLEIGH

**1260**

**Specifications**

**Full Scale Output:**

2.0 mV/V

**Output Resistance:**

350 (± 3) ohm

**Input Resistance:**

415 (± 15) ohm

**Material/Finish:**

Anodized aluminum

**Temperature:**

Compensated range  
14 °F to 104 °F (-10 °C to 40 °C)

Operating range  
0 °F to 150 °F (-18 °C to 65 °C)

**Seal Type:**

Environmentally sealed, IP67

**Safe Overload:**

150% of full scale at center loading point

**Rated Excitation:**

5 to 10 VDC (15 V maximum)

**Combined Error:**

0.02% full scale

**Insulation Resistance:**

5,000 megohm

**Cable Length:**

10 ft

**Cable Diameter:**

0.220 in polyurethane jacket

**Max Platform Size:**

24 × 24 in

**Cable Color Code:**

- Green +Excitation
- Black -Excitation
- Red +Signal
- White -Signal
- Blue +Sense
- Brown -Sense

**Warranty:**

Two-year limited

**Approvals:**

- cFMus
- NTEP 97-139





Breathing Tube

Picture is a representation of actual product.

**Approvals**

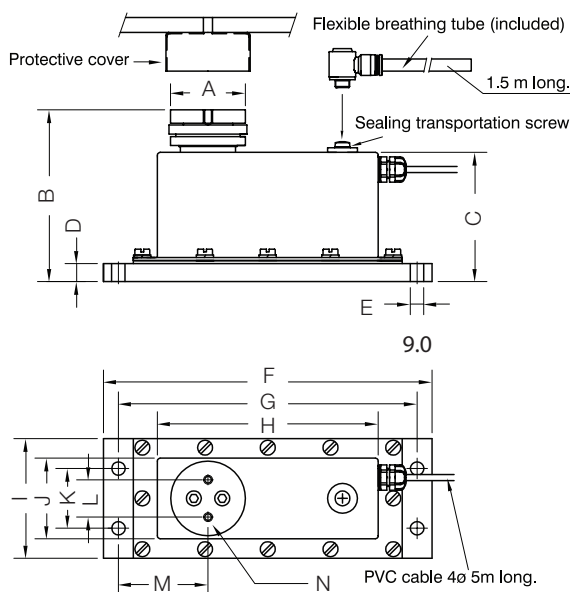


**Order Information**

Load Rating	Part #	Est. Weight	Price
2 kg	194928	8 lb	\$710.00
3 kg	199001	8 lb	\$710.00
5 kg	194929	8 lb	\$710.00
7 kg	194930	8 lb	\$710.00
10 kg	194932	8 lb	\$710.00
15 kg	194933	8 lb	\$710.00
20 kg	194934	8 lb	\$710.00
30 kg	194935	8 lb	\$710.00
50 kg	194936	16 lb	\$710.00

**Dimensions**

Rated Capacity	A	B	C	D	E	F	G	H	I	J	K	L	M	N
kg/mm														
2 to 50	50 dia	115.0	86.5	12.0	9.0	220.0	200.0	148.0	80.0	54.0	40.0	25.0	60.0	1/4-20 UNC



**Interchangeable Products**

VPG® TEDEA-HUNTLEIGH  
**240\***  
\*5000d NTEP, 10ft cable

**Specifications**

**Full Scale Output:**  
2.0 mV/V

**Output Resistance:**  
350 (± 3) ohm

**Input Resistance:**  
400 (± 20) ohm

**Material/Finish:**  
Stainless steel

**Temperature:**  
Compensated range  
14 °F to 104 °F (-10 °C to 40 °C)  
Operating range  
0 °F to 150 °F (-18 °C to 65 °C)

**Seal Type:**  
Environmentally sealed, IP68

**Safe Overload:**  
200% of full scale

**Rated Excitation:**  
5 to 10 VDC

**Combined Error:**  
0.017% full scale

**Insulation Resistance:**  
> 5,000 megohm

**Cable Length:**  
5 m

**Cable Color Code:**  
Green +Excitation  
Black -Excitation  
Red +Signal  
White -Signal  
Blue +Sense  
Yellow -Sense

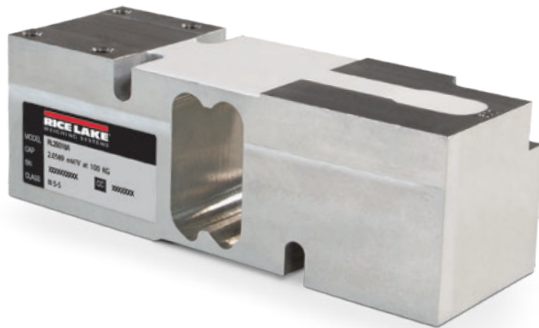
**Warranty:**  
Two-year limited

**Approvals:**  
NTEP 20-045  
cFMus

# RL26018A

Aluminum, Environmentally Sealed, NTEP Certified 1:5,000 Class III Single Cell, IP67

LOAD CELLS /  
WEIGH MODULES



Picture is a representation of actual product.

### Approvals

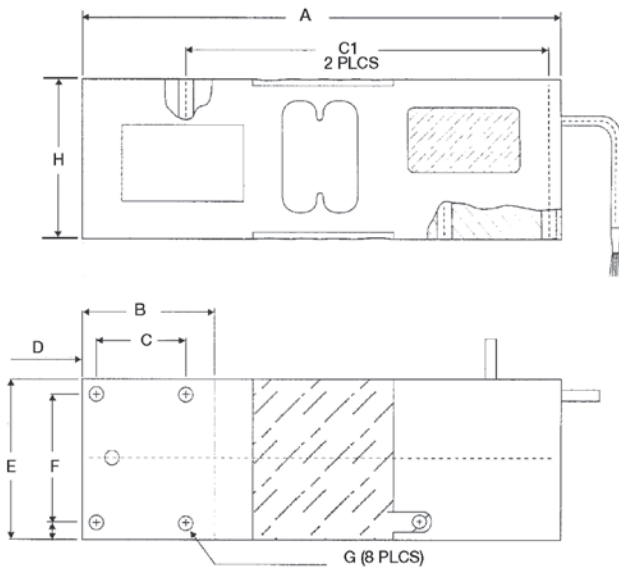


### Order Information

Load Rating	Part #	Est. Weight	Price
50 kg	188682	5 lb	\$290.00
75 kg	188683	5 lb	\$290.00
100 kg	188684	5 lb	\$290.00
150 kg	188685	5 lb	\$290.00
200 kg	188686	5 lb	\$290.00
250 kg	188687	5 lb	\$290.00
300 kg	188688	5 lb	\$290.00
500 kg	188689	5 lb	\$290.00
635 kg	188690	5 lb	\$290.00

### Dimensions

Rated Capacity	A	B	C	C1	D	E	F	G	H
kg/mm									
50 to 635	188.0	52.0	35.0	142.0	5.5	63.5	50.0	5/16-18 UNC	62.3



### Interchangeable Products

RICE LAKE WEIGHING SYSTEMS

**RL1260**

RICE LAKE WEIGHING SYSTEMS

**RLPWM16**

VPG® TEDEA-HUNTLEIGH®

**1260**

### Specifications

**Full Scale Output:**

2.0 mV/V nominal

**Output Resistance:**

350 (± 3) ohm

**Input Resistance:**

415 (± 15) ohm

**Material/Finish:**

Anodized aluminum

**Temperature:**

Compensated range

14 °F to 104 °F (-10 °C to 40 °C)

Operating range

0 °F to 150 °F (-18 °C to 65 °C)

**Seal Type:**

Environmentally sealed, IP67

**Safe Overload:**

150% of full scale

**Rated Excitation:**

5 to 10 VDC (15 V maximum)

**Insulation Resistance:**

> 5,000 megohm

**Combined Error:**

0.02% full scale

**Deflection:**

0.3 to 0.5 mm

**Cable Length:**

10 ft

**Cable Color Code:**

Green +Excitation

Black -Excitation

Red +Signal

White -Signal

Blue +Sense

Yellow -Sense

**Warranty:**

Two-year limited

**Approvals:**

cFMus

NTEP 18-108



Picture is a representation of actual product.

**Approvals**

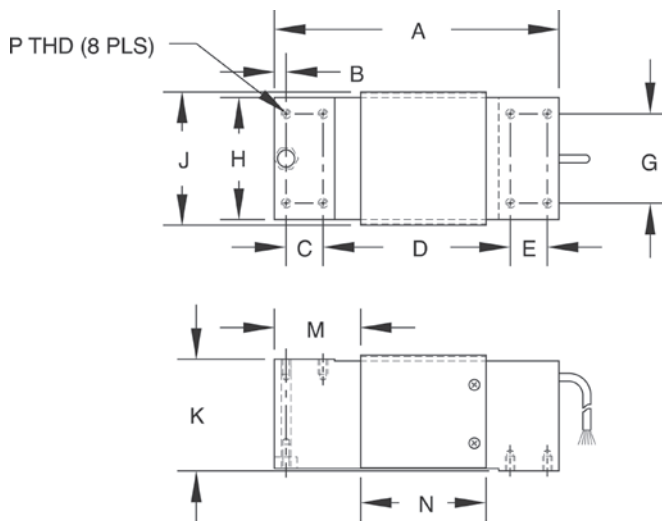


**Order Information**

Load Rating	Part #	Est. Weight	Price
50 kg	191096	5 lb	\$328.00
75 kg	191097	5 lb	\$328.00
100 kg	191098	5 lb	\$328.00
150 kg	191099	5 lb	\$328.00
200 kg	191100	5 lb	\$328.00
250 kg	191101	5 lb	\$328.00
300 kg	191102	5 lb	\$328.00
500 kg	191103	5 lb	\$328.00
635 kg	191104	5 lb	\$328.00
1,000 kg	191105	5 lb	\$328.00

**Dimensions**

Rated Capacity	A	B	C	D	E	G	H	J	K	M	N	P
kg/mm												
50 to 1,000	191.0	8.0	25.0	125.0	25.0	60.0	75.0	82.0	75.0	57.5	85.0	5/16-18 UNC × 15 DP



**Interchangeable Products**

RICE LAKE WEIGHING SYSTEMS  
**RLPWM12**  
VPG® TEDEA-HUNTLEIGH®  
**1250**

**Specifications**

**Full Scale Output:**

2.0 mV/V nominal

**Output Resistance:**

350 (± 3) ohm

**Input Resistance:**

415 (± 15) ohm

**Material/Finish:**

Anodized aluminum

**Temperature:**

Compensated range

14 °F to 104 °F (-10 °C to 40 °C)

Operating range

0 °F to 150 °F (-18 °C to 65 °C)

**Seal Type:**

Environmentally sealed, IP67

**Safe Overload:**

150% full scale

**Rated Excitation:**

5-10 VDC (15 V maximum)

**Insulation Resistance:**

> 5,000 megohm

**Combined Error:**

0.02% full scale

**Deflection:**

0.4 mm

**Max Platform Size:**

50 to 500 kg: 800 × 800 mm

635 to 1,000 kg: 600 × 600 mm

**Cable Length:**

10 ft

**Cable Color Code:**

Green +Excitation

Black -Excitation

Red +Signal

White -Signal

Blue +Sense

Yellow -Sense

**Warranty:**

Two-year limited

**Approvals:**

cFMus

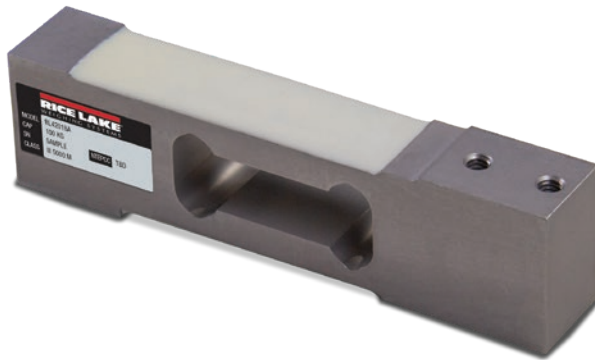
NTEP 18-133

LOAD CELLS /  
WEIGH MODULES

# RL42018A

Aluminum, Environmentally Sealed, NTEP Certified 1:5,000 Class III Single Cell, IP66

LOAD CELLS / WEIGH MODULES



Picture is a representation of actual product.

### Approvals

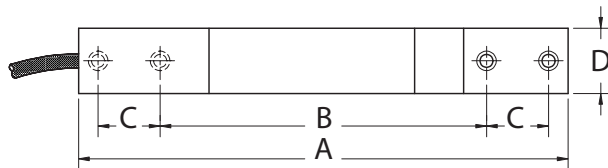
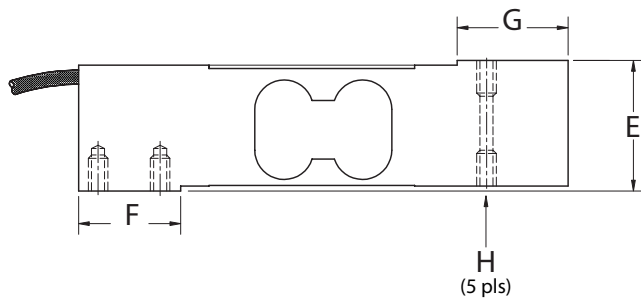


### Order Information

Load Rating	Part #	Est. Weight	Price
3 kg	188672	2 lb	\$190.00
5 kg	188673	2 lb	\$190.00
7 kg	188674	2 lb	\$190.00
10 kg	188675	2 lb	\$190.00
15 kg	188676	2 lb	\$190.00
20 kg	188677	2 lb	\$190.00
30 kg	188678	2 lb	\$190.00
50 kg	188679	2 lb	\$190.00
75 kg	188680	2 lb	\$190.00
100 kg	188681	2 lb	\$190.00

### Dimensions

Rated Capacity	A	B	C	D	E	F	G	H
kg/mm								
3 to 30	150.0	100.0	19.0	20.0	40.0	31.2	34.0	1/4-20 UNC
50 to 100	150.0	100.0	19.0	25.4	40.0	31.2	34.0	1/4-20 UNC



### Interchangeable Products

RICE LAKE WEIGHING SYSTEMS

**RL1042**

RICE LAKE WEIGHING SYSTEMS

**RLSP4**

VPG® TEDEA-HUNTLEIGH®

**1042**

HBK®

**SP4M\***

\*Color code is different

### Specifications

**Full Scale Output:**

2.0 mV/V ± 10%

**Output Resistance:**

350 (± 3) ohm

**Input Resistance:**

400 (± 20) ohm

**Material/Finish:**

Aluminum

**Temperature:**

Compensated range  
14 °F to 104 °F/-10 °C to 40 °C

Operating range  
0 °F to 150 °F/-18 °C to 65 °C

**Seal Type:**

Environmentally sealed, IP66

**Safe Overload:**

150% of full scale at center loading point

**Rated Excitation:**

10 VDC

**Combined Error:**

0.02% full scale

**Insulation Resistance:**

> 5,000 megohm

**Deflection:**

0.3 to 0.5 mm

**Cable Length:**

10 ft

**Cable Color Code:**

- Green +Excitation
- Black -Excitation
- Red +Signal
- White -Signal
- Blue +Sense
- Yellow -Sense

**Platform Size:**

15.75 × 15.75 in max

**Warranty:**

Two-year limited

**Approvals:**

- cFMus
- NTEP 18-105



Picture is a representation of actual product.

**Interchangeable Products**

AVERY WEIGH-TRONIX®  
FLS

**Specifications**

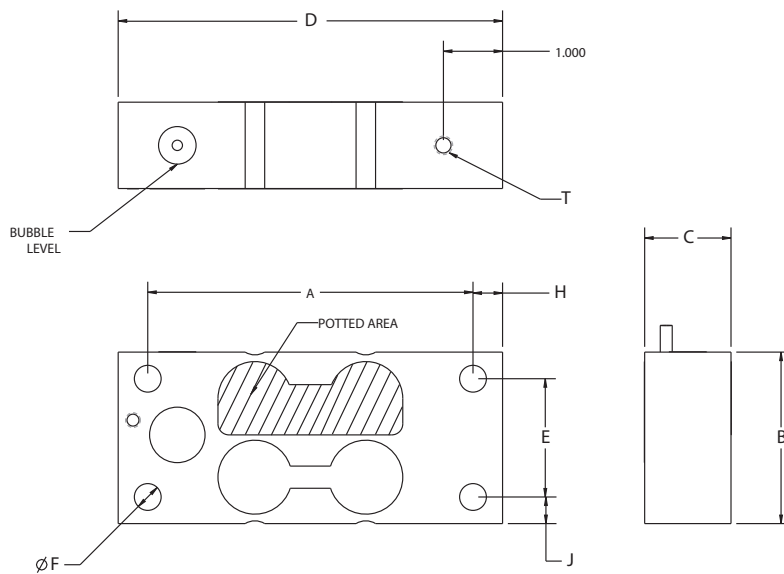
- Full Scale Output:**  
1.0 (± 10%) mV/V
- Output Resistance:**  
350 (± 3) ohm
- Input Resistance:**  
385 (± 10) ohm
- Material/Finish:**  
Stainless steel
- Temperature:**  
Operating range  
0 °F to 150 °F (-18 °C to 65 °C)
- Seal Type:**  
Environmentally sealed, IP67
- Safe Overload:**  
150% full scale
- Rated Excitation:**  
5 to 15 VDC
- Hysteresis:**  
0.02% full scale
- Non-Linearity:**  
0.02% full scale
- Insulation Resistance:**  
5,000 megohm
- Cable Length:**  
10 ft
- Cable Color Code:**  
Green +Excitation  
Black -Excitation  
Red +Signal  
White -Signal
- Warranty:**  
Two-year limited

**Order Information**

Load Rating	Part #	Est. Weight	Price
50 lb	<b>125612</b>	3 lb	\$650.00

**Dimensions**

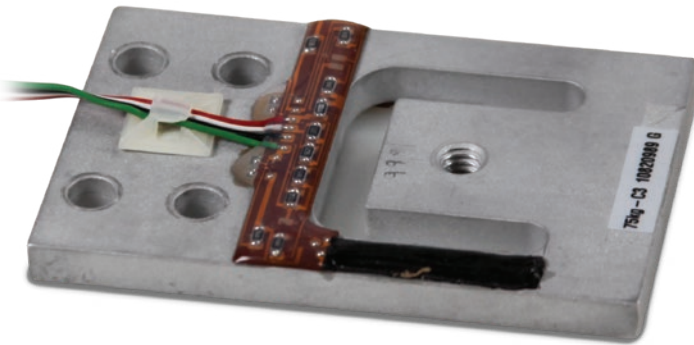
Rated Capacity	A	B	C	D	E	F	H	J	T
50 lb/in									
50	5.50	2.90	0.74	6.50	2.00	0.50	0.50	0.45	5/16-18 UNC x 0.50



# RLBLP

Aluminum, Environmentally Sealed, IP65

LOAD CELLS /  
WEIGH MODULES



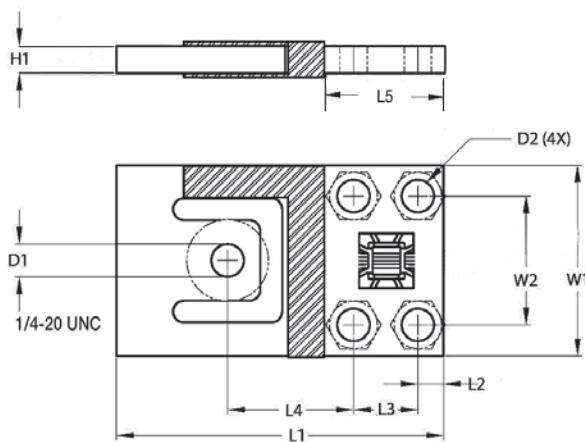
Picture is a representation of actual product.

## Order Information

Load Rating	Part #	Est. Weight	Price
15 kg	100272	1 lb	\$87.00
37.5 kg	104645	1 lb	\$92.00
75 kg	100273	1 lb	\$97.00
150 kg	100274	1 lb	\$102.00

## Dimensions

Rated Capacity	L1	L2	L3	L4	L5	W1	W2	H1	D1	D2
kg/mm										
15.0	70.0	4.9	14.0	28.0	23.7	39.0	27.8	4.1	7.6	5.1
37.5	76.2	6.0	15.0	29.3	27.0	44.5	30.0	4.8	7.6	6.6
75.0	84.4	6.4	15.0	34.0	27.7	54.8	30.0	6.4	7.6	6.6
150.0	107.3	7.8	22.9	45.9	38.4	69.9	44.5	7.9	9.1	8.1



## Interchangeable Products

FLINTEC<sup>®</sup>  
PB

## Specifications

**Full Scale Output:**

1.0 mV/V

**Output Resistance:**

1,000 (± 10) ohm

**Input Resistance:**

1,180 (± 50) ohm

**Material/Finish:**

Aluminum

**Temperature:**

Operating range  
0 °F to 150 °F (-18 °C to 65 °C)

**Seal Type:**

Environmentally sealed, IP65

**Safe Overload:**

150% full scale

**Rated Excitation:**

5 to 15 VDC

**Combined Error:**

0.05% full scale

**Insulation Resistance:**

5,000 megohm

**Cable Length:**

15 kg: 1.0 m  
37.5 kg, 75 kg, 150 kg: 1.5 m

**Cable Color Code:**

Green +Excitation  
Black -Excitation  
White +Signal  
Red -Signal

**Warranty:**

Two-year limited





Picture is a representation of actual product.

### Specifications

- Full Scale Output:**  
3.0 (± 0.1%) mV/V
- Bridge Resistance:**  
350 ohm, nominal
- Material/Finish:**  
Stainless steel
- Temperature:**  
Operating range  
0 °F to 150 °F (-18 °C to 65 °C)
- Seal Type:**  
Environmentally sealed, IP67
- Safe Overload:**  
150% full scale
- Rated Excitation:**  
5 to 10 VDC (15 V maximum)
- Linearity:**  
0.05% full scale
- Repeatability:**  
0.03% full scale
- Insulation Resistance:**  
5,000 megohm
- Cable Length:**  
40 ft
- Cable Diameter:**  
0.25 in  
Polyurethane jacket with connector
- Cable Color Code:**  
Green +Excitation  
Black -Excitation  
White +Signal  
Red -Signal
- Warranty:**  
Two-year limited

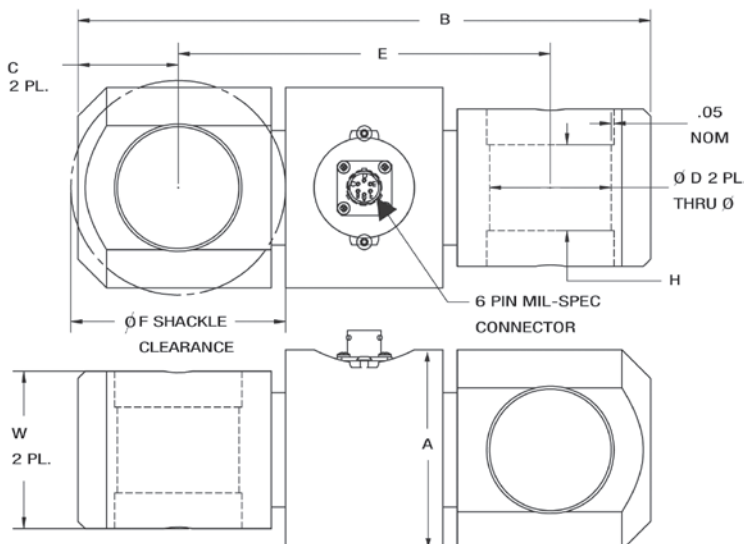
### Order Information

Load Rating	Part #	Est. Weight	Price
5,000 lb	117731	5 lb	\$1,430.00
10,000 lb	117732	5 lb	\$1,430.00
25,000 lb	117733	8 lb	\$1,690.00
50,000 lb	117735	34 lb	\$2,915.00
75,000 lb	117736	34 lb	\$2,915.00
100,000 lb	117737	56 lb	\$3,127.00
150,000 lb	117738	56 lb	\$3,127.00
200,000 lb	117739	95 lb	\$5,565.00
250,000 lb	117740	117 lb	\$5,989.00
300,000 lb	117741	191 lb	\$8,427.00
500,000 lb	117742	191 lb	\$8,427.00
<b>Replacement Parts</b>			
40 ft load cell cable	187132		\$175.00

NOTE: Consult factory for shackles

### Dimensions

Rated Capacity	A	B	C	ØD	E	ØF	W	H
5,000 to 10,000	2.00	6.50	1.00	1.05	4.50	2.38	1.37	0.75
25,000	2.75	8.00	1.38	1.55	5.25	2.88	2.00	1.00
50,000 to 75,000	3.25	14.00	2.50	2.31	9.00	5.00	3.00	1.75
100,000 to 150,000	4.00	16.00	2.88	2.88	10.25	6.25	4.00	2.00
200,000	6.00	18.00	3.25	3.38	11.50	6.50	4.75	2.38
250,000	6.50	20.00	3.75	3.88	12.50	7.50	5.00	2.75
300,000 to 500,000	7.50	24.00	4.50	4.31	15.00	9.50	5.40	3.00





## Standard Features

- Designed and manufactured to each integrated solution. Machined from 17-4 stainless steel for safety, strength and corrosion resistance.
- (Contact MSI for application consultation)

For most overhead weighing applications, traditional scales are an ideal solution. However, applications with limited to no headroom require specialty equipment beyond even reduced-height or low-profile crane scales.

One such solution is an MSI load pin sensor. A load pin sensor is a type of load cell that directly replaces clevis, pivot, normal shaft or equalizer pins. Load pin sensors are designed to be permanently installed, so they can continuously monitor vertical or horizontal tension. An integrated load pin provides load monitoring and overload protection without impacting headroom to promote safety and to prevent costly equipment damage.

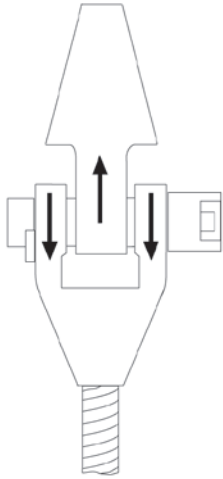
Rice Lake's industry leading engineers design and manufacture custom load pin sensors for any application. Every load pin is constructed from stainless steel for safety, strength (minimum 5:1) and corrosion resistance.

To receive a quote for a load pin sensor, complete the load pin questionnaire on the next page in this catalog or online at [www.ricelake.com/questionnaires](http://www.ricelake.com/questionnaires). For further assistance, contact an MSI overhead weighing specialist.

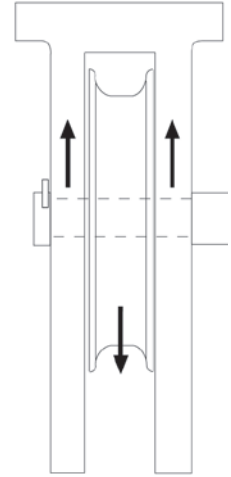
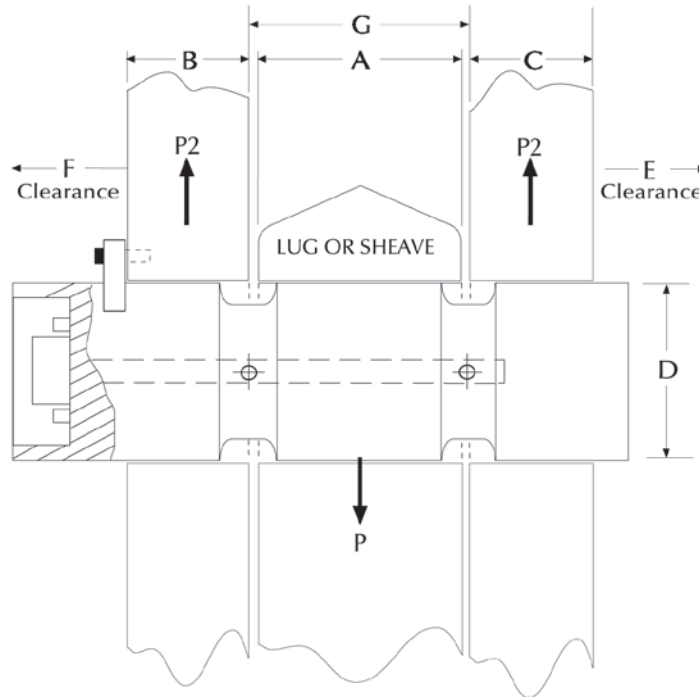
# MSI Load Pin Questionnaire

LOAD CELLS /  
WEIGH MODULES

## Load Pin Critical Dimensions



Standard Load Sensing Clevis Pin for Wire Rope Sockets Dead-Ends


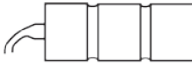




Sheave/Pulley Load Pins Equalizer/Idler



### Load Pin Data



A=Width \_\_\_\_\_ Inch  
 B=Width \_\_\_\_\_ Inch  
 C=Width \_\_\_\_\_ Inch  
 D=Pin Diameter \_\_\_\_\_ Inch  
 E=Clearance \_\_\_\_\_ Inch  
 F=Clearance \_\_\_\_\_ Inch  
 G=Width \_\_\_\_\_ Inch  
 Lube Port  No  Yes \_\_\_\_\_ # of exits  
 Hoist Capacity \_\_\_\_\_ Tons  
 Parts of Wire Rope \_\_\_\_\_  
 Sensor Capacity \_\_\_\_\_ Tons  
 Factor of Safety 3:1 5:1 7:1 10:1  
 Application \_\_\_\_\_  
 Accuracy Requirement \_\_\_\_\_  
 Temperature Requirement \_\_\_\_\_  
 Required Output \_\_\_\_\_  
 Material Testing Requirement \_\_\_\_\_  
 Load Vector Orientation/Alignment ← → ↓ ↑  
 Name \_\_\_\_\_  
 Company \_\_\_\_\_  
 Phone \_\_\_\_\_  
 Note: Minimum clearance between "A" and "G" = 0.0625 inch.



### Cable Connections

End-Mounted Cable  

End-Mounted Connector (standard)  

Side-Mounted Cable  

Side-Mounted Connector  

Recessed Connector  

Sensor's Cable Length \_\_\_\_\_ Feet  
 Comments \_\_\_\_\_

**RICE LAKE**  
WEIGHING SYSTEMS

230 W. Coleman St. • Rice Lake, WI 54868 • USA  
 TEL: 800-874-4320 • FAX: 206-244-8470 • [www.ricelake.com/msi](http://www.ricelake.com/msi)

An ISO 9001 registered company © 2019 Rice Lake Weighing Systems PN 154086 1/19  
 Specifications subject to change without notice.

# MSI Tension Link

Load Cell

LOAD CELLS /  
WEIGH MODULES



## Standard Features

- Integrates between a crane block and lifting equipment to provide force measurement for lifted items. This ideal integration for cranes features a 7:1 safety factor for compliance with industrial and military safety requirements.

## Options

(Contact MSI for application consultation)

- Crosby® top and bottom shackles

## Specifications

**Input Resistance:**  
1,500 ohm

**Output Resistance:**  
2,000 ohm

**Full Scale Output:**  
0.8 mV/V

**Connector Pin Out:**  
A: EX +  
B: Sig +  
C: Sig -  
D: EX -

**Accuracy:**  
0.1% sensor accuracy

**Material:**  
4340 steel

## Part Number/Price

Part #	Description	Price
181907	2K 7200 style load cell only	Consult
181908	5K 7200 style load cell only	Consult
181909	10K 7200 style load cell only	Consult
178093	25K 7200 style load cell only	Consult
178094	50K 7200 style load cell only	Consult
181910	100K 7200 style load cell only	Consult

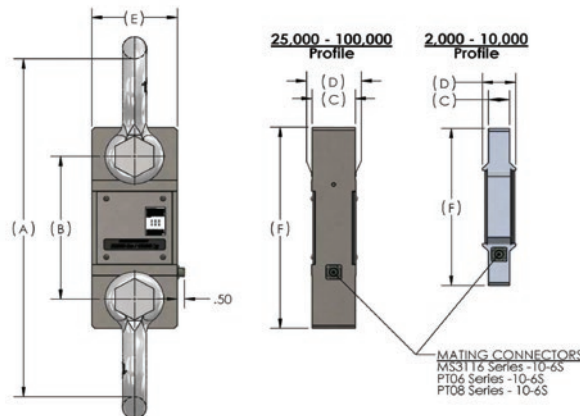
Contact factory for higher capacities

## Options/Accessories

Part #	Description	Price
165978	Load cell to MSI-7001 interface cable, 6.5 ft	\$330.00
165979	Load cell to MSI-7001 interface cable, 10 ft	\$350.00
165990	Load cell to MSI-7001 interface cable, 25 ft	\$440.00
134505	Load cell mating cable to bare wires, 10 ft	\$185.00

## Dimensions

Capacity (lbs)	P/N	Load Cell Material	(A) Headroom Loss	(B) C-C Length	(C) Lug Thk	(D) Body Thk	(E) Body Width	(F) Body Length	Lug Hole	Crosby Shackle
2,000	181907	Aluminum	13.50 in	8.00 in	0.99 in	2.13 in	4.50 in	9.75 in	0.78 in	3-1/4 T 151357
5,000	181908	Aluminum	13.50 in	8.00 in	0.99 in	2.13 in	4.50 in	9.75 in	0.78 in	3-1/7 T 151357
10,000	181909	Aluminum	16.13 in	8.50 in	1.35 in	2.13 in	5.37 in	10.75 in	1.05 in	6-1/2 T 151355
25,000	178093	Steel	22.39 in	9.26 in	2.24 in	2.24 in	4.80 in	12.76 in	1.67 in	17 T 141992
50,000	178094	Steel	25.74 in	9.76 in	2.74 in	2.81 in	5.43 in	13.76 in	2.05 in	25 T 151356
100,000	181910	Steel	28.49 in	10.74 in	3.09 in	3.09 in	6.86 in	15.74 in	2.30 in	55 T 146336





## Standard Features

- A durable solution for measuring wire rope tension and preventing overloads for cranes and hoists. Available in two envelopes for accommodating the most common wire ropes. Weight-based setpoints can provide the operator alerts and safety shut-offs based on unsafe load conditions.

## Options

(Contact MSI for application consultation)

- Custom sizes available on request
- Pair with an SCT transmitter for basic safety functions

## Specifications

**System Accuracy of Calibrated Capacity:**  
3 to 5%

**Material:**  
4340 steel, zinc plated

**Output Resistance:**  
350 ohm

**IP Rating:**  
IP68

**Cable Color Code:**  
Red +Excitation  
Black -Excitation  
Green +Signal  
White -Signal

**Cable Length:**  
20 ft integral cable with blunt end termination

## Part Number/Price

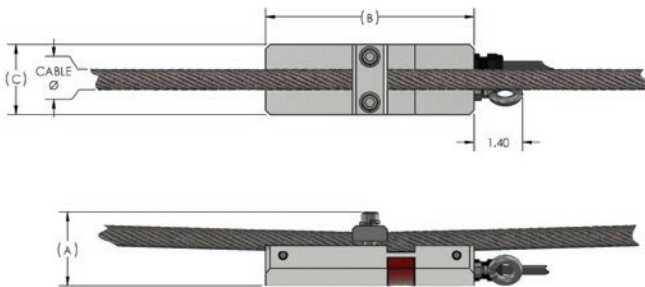
Part #	Description	Price
179080	Load Cell Assembly Clamp-On for 3/8 to 1/2 in wire rope	\$750.00
179082	Load Cell Assembly Clamp-On for 9/16 to 3/4 in wire rope	\$890.00
188816	Kit with SCT-2200 for 3/8 to 1/2 in wire rope	\$1,330.00
188817	Kit with SCT-2200 for 9/16 to 3/4 in wire rope	\$1,470.00

Larger diameter clamp ons available - call for pricing

## Dimensions

Cable Range	Part #	A	B	C
3/8 to 1/2	179080	Cable + 1.70	6.00	2.00
9/16 to 3/4	179082	Cable + 1.67	6.00	2.00

\*8mm cable can be used with PN 179080



Optional SCT-2200 transmitter





# Monorail Scales

---

**TABLE OF CONTENTS**

**MS200** ..... **776**  
*Portable Monorail Scale*

**MS202** ..... **777**  
*Permanent Monorail Scale*

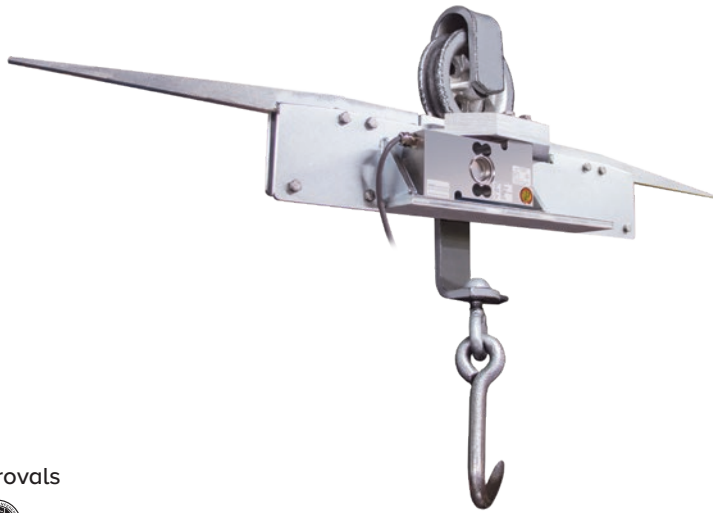
**MONORAIL SCALES**

*The following product names, logos, brands and other trademarks featured or referred to within this publication are the property of their respective trademark holders.*

# MS200

Portable Monorail Scale

MONORAIL SCALES



Approvals



## Part Number/Price

Part #	Description	Est. Weight	Price
<b>MS200HB-3/8 Inch</b>			
19743	750 x 0.5 lb, nickel-plated	38 lb	\$2,400.00
<b>MS200HB-1/2 Inch</b>			
213006	1,500 x 0.5 lb, nickel-plated	40 lb	\$2,650.00
213007	1,500 x 0.5 lb, stainless steel	40 lb	\$2,950.00

## Options/Accessories

Part #	Description	Price
16984	Additional operating manual	\$5.00
167585	Replacement load cell, 500 kg 2 mV/V 350 ohm SST construction, with 25 ft of cable	\$842.00
216728	Configuration and Monorail calibration	\$250.00

## Standard Features

- 8-inch live-rail designed to weigh one trolley
- 750 × 0.5 lb resolution; 3/8 in and 1/2 in rails
- 1,500 × 0.5 lb resolution; 1/2 in rails only
- Requires less than 41 in of straight rail to install
- 25 ft of load cell cable for flexible installation
- Slightly recessed live-rail for the trolley roller provides stable weighments

## Specifications

### Construction:

Electroless nickel plated steel construction, stainless steel hardware  
304 stainless steel construction, stainless steel hardware

### Load Cell Construction:

Stainless steel

### Bridge Resistance:

350 ohm nominal

### Rated Output:

2 mV/V

### Nonlinearity:

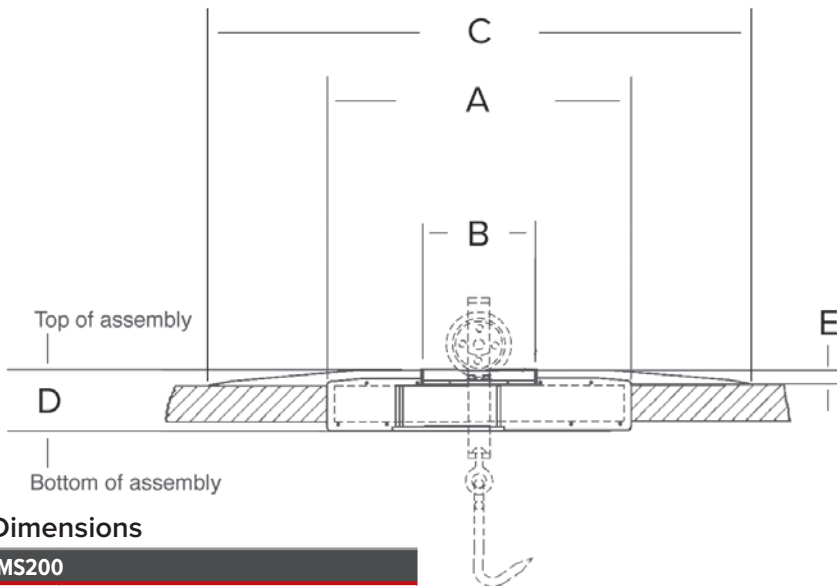
0.03% full scale

### Warranty:

One-year limited

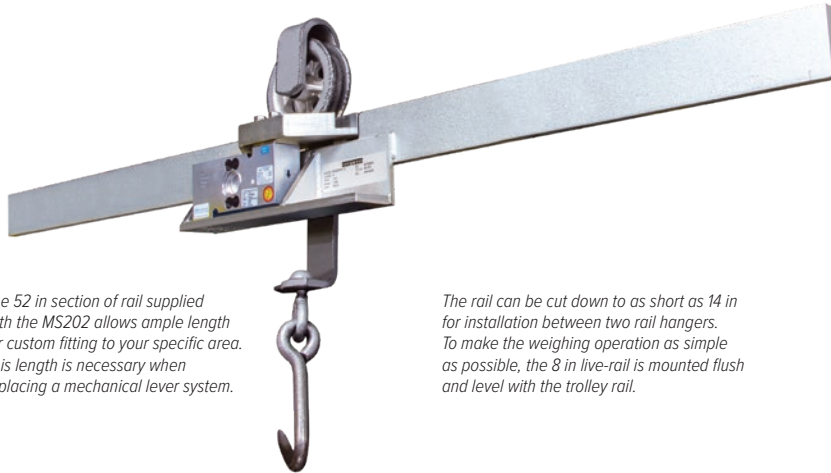
### Approvals:

NTEP 90-003, Class III, 1,500 d



## Dimensions

MS200	
A	21.00 in (533 mm)
B	8.00 in live rail (203 mm)
C	40.32 in (1,024 mm)
D	4.50 in (114 mm)
E	1.13 in (29 mm)



The 52 in section of rail supplied with the MS202 allows ample length for custom fitting to your specific area. This length is necessary when replacing a mechanical lever system.

The rail can be cut down to as short as 14 in for installation between two rail hangers. To make the weighing operation as simple as possible, the 8 in live-rail is mounted flush and level with the trolley rail.

## Standard Features

- 8-inch live-rail designed to weigh one trolley
- 750 × 0.5 lb resolution; 3/8 in rail
- 1,500 × 0.5 lb resolution; 1/2 in rail
- Requires less than 41 in of straight rail to install (14 in between rail hangers)
- High accuracy, stainless steel load cell
- 25 ft of load cell cable for flexible installation
- Slightly recessed live-rail for the trolley roller provides stable weighments

## Specifications

### Construction:

Electroless nickel plated or 304 stainless steel construction

### Load Cell Construction:

Stainless steel

### Bridge Resistance:

350 ohms nominal

### Rated Output:

2 mV/V

### Nonlinearity:

0.03% full scale

### Warranty:

One-year limited

### Approvals:

NTEP 90-003, Class III, 1500 d  
Measurement Canada, AM-4849 (750 lb capacity only)

## Approvals



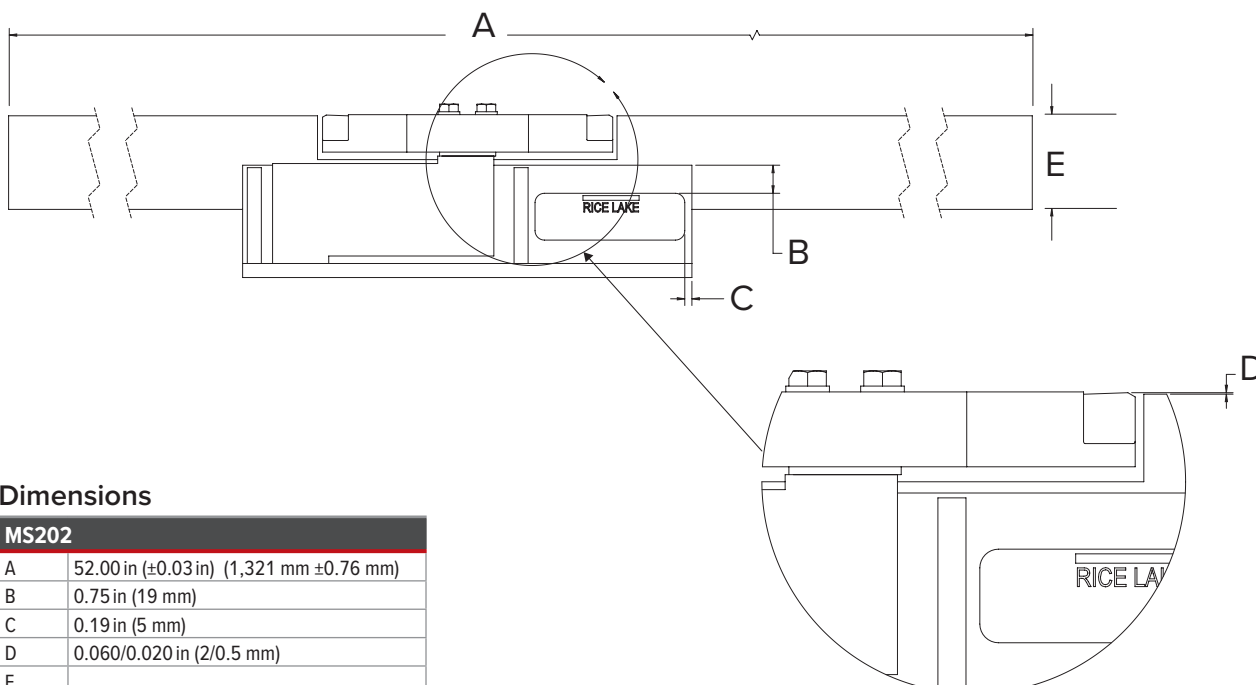
Measurement  
Canada  
Approved

## Part Number/Price

Part #	Description	Est. Weight	Price
<b>MS202HB-3/8 Inch</b>			
19744	MS202HB-3/8 in, 750 lb x 0.5 lb, nickel-plated	38 lb	\$2,600.00
196885	MS202HB-SS 3/8 in, 750 lb x 0.5 lb, stainless steel	38 lb	\$2,900.00
<b>MS202HB-1/2 Inch</b>			
19745	Electroless nickel plated rail	38 lb	\$2,350.00
196888	Stainless steel rail	38 lb	\$2,650.00

## Options/Accessories

Part #	Description	Price
16984	Additional operating manual	\$5.00
167585	Replacement load cell, 500 kg 2 mV/V 350 ohm stainless steel construction, with 25 ft of cable	\$842.00
216728	Configuration and Monorail calibration	\$250.00



## Dimensions

MS202	
A	52.00 in (±0.03 in) (1,321 mm ±0.76 mm)
B	0.75 in (19 mm)
C	0.19 in (5 mm)
D	0.060/0.020 in (2/0.5 mm)
E	

MONORAIL SCALES



MONORAIL SCALES



# Onboard Weighing

---

**TABLE OF CONTENTS**

**PL Series Load Cells**..... **782**

**Rigid Underbody Load Cell Kits** ..... **784**

**Tractor-Trailer Kits**..... **785**

**Loadrunner®** ..... **786**  
*Dump Truck Systems Kit*

**TradeRoute® HL Series** ..... **787**  
*Legal for Trade Onboard Weighing System*

**ONBOARD WEIGHING**

*Product names, logos, brands and other trademarks featured or referred to within this publication are the property of their respective trademark holders.*

# PL Series Load Cells

## PL9000-14



The PL9000-14 is a low-profile load cell designed for onboard weighing applications with limited height. With a single-piece bearing plate and an overall profile of only 2.4 inches, the PL9000-14 is ideal for applications with four- or six-point under-body mounts and body rest mounts.

### Order Information

*Picture is a representation of actual product*

Load Rating	Part #	Est. Weight	Price	
Static 16,500 lb	Dynamic 10,000 lb	<b>114322</b>	19 lb	\$810.00

## PL9000-14.4



The PL9000-14.4 is ideal for under-body and body rest mounts in four- or six-point system configurations. This load cell offers higher load ratings with a single-piece bearing plate and overall length of 14 inches.

### Order Information

*Picture is a representation of actual product*

Load Rating	Part #	Est. Weight	Price	
Static 25,000 lb	Dynamic 12,500 lb	<b>115345</b>	18 lb	\$920.00

## PL9000-22



The PL9000-22 is designed for underbody mounts and low-profile axle scales such as Rice Lake's AX3040. It has a 2.4-inch profile and is 22.6 inches long.

### Order Information

*Picture is a representation of actual product*

Load Rating	Part #	Est. Weight	Price	
Static 30,000 lb	Dynamic 20,000 lb	<b>111766</b>	30 lb	\$1,170.00

## PL9000-26



The PL9000-26 is a heavy duty, shear beam load cell designed for kingpin plates and underbody mounts. Available with either a single bearing plate or two separate bearing plates, the PL9000-26 has a 2.3 inch profile and is 26 inches long.

### Order Information

*Picture is a representation of actual product*

Load Rating	Part #	Est. Weight	Price	
Static 40,000 lb	Dynamic 20,000 lb	<b>114325</b>	35 lb	\$1,095.00

## PL9000-50



The PL9000-50 is designed for 5th wheel kits and spring suspension equalizer hangers. The PL9000-50 has two separate bearing plates, one on each end, and an overall profile of 2.8 inches.

### Order Information

*Picture is a representation of actual product*

Load Rating	Part #	Est. Weight	Price	
Static 50,000 lb	Dynamic 12,500 lb	<b>114326</b>	24 lb	\$925.00

## PL9110



The PL9110 double-ended shear beam load cell is ideal for weighing equipment typically fixed to a truck body. This low-profile, rigid mount load cell is offered in capacities from 2,000 lb to 20,000 lb with the same profile.

### Order Information

*Picture is a representation of actual product*

Load Rating	Part #	Est. Weight	Price
Static 2,000 lb	<b>204610</b>	6 lb	\$780.00
Static 5,000 lb	<b>204611</b>	6 lb	\$780.00
Static 10,000 lb	<b>204612</b>	6 lb	\$780.00
Static 20,000 lb	<b>204613</b>	6 lb	\$780.00

# PL Series Load Cells

## PL9200



The PL9200 onboard weighing load cell is hermetically sealed with an IP69 rating.

### Order Information

*Picture is a representation of actual product*

Load Rating	Part #	Est. Weight	Price
Static 25,000 lb	<b>209603</b>	25 lb	\$1,195.00
Static 35,000 lb	<b>210812</b>	25 lb	\$1,195.00

## RLD-10K



The RLD-10K double-ended shear beam load cell has a low profile and rigid mount. The RLD-10K is ideal for applications where suspension mounts are not suitable, profile increases don't work, or dynamic forces are present.

### Order Information

*Picture is a representation of actual product*

Load Rating	Part #	Est. Weight	Price
Static 10,000 lb	<b>120959</b>	6 lb	\$1,260.00

## PLSB-25K



The PLSB-25K is used in Rice Lake's twist-lock and stacking cone mount assemblies. This rigid mount, double-ended shear beam load cell is used when a series of mounts are not fixed to a frame at all times. The PLSB-25K can also be used in applications with dynamic forces.

### Order Information

*Picture is a representation of actual product*

Load Rating	Part #	Est. Weight	Price
Static 25,000 lb	<b>179827</b>	26 lb	\$1,550.00
Static 25,000 lb	<b>191898</b>	26 lb	\$1,620.00

## PLSB-40K



The PLSB-40K alloy steel load cell is hermetically sealed with an IP68 rating and has a 0.75 mV/V output at 12,500 lb.

### Order Information

*Picture is a representation of actual product*

Load Rating	Part #	Est. Weight	Price
Static 40,000 lbs	<b>117666</b>	31 lb	\$1,075.00

## LOAD PIN - 2 INCH, 20K



This 2-inch load pin is used in Rice Lake's Loadrunner kits and semi trailer landing gear. This load pin can be paired with load and support collars for applications that have pivot or rotation requirements.

### Order Information

*Picture is a representation of actual product*

Load Rating	Part #	Est. Weight	Price
Static 20,000 lb	<b>181895</b>	10 lb	\$1,050.00

Additional details and complete specifications for onboard weighing load cells can be found online. Please consult the factory to determine the best model for your application.

ONBOARD WEIGHING

# Rigid Underbody Load Cell Kits

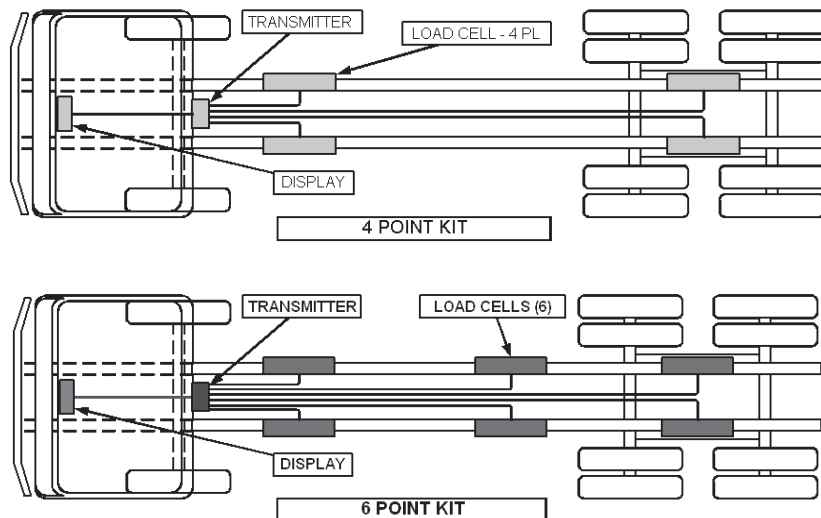


Rice Lake Weighing Systems' rigid underbody load cell kits are designed to offer an onboard weighing solution for a variety of truck body types. They are mounted between the truck chassis and the body, needing little clearance to record weight information. These kits are common for straight truck applications with tanks and hoppers. Contact one of our product specialists to find a solution for your equipment.

## Part Number/Price

Part #	Model #	Description	Price
114307	PL9710-414.4	Four-point indicator kit with 14.4 in load cells (50,000 lb max with dead load) Kit includes: 9710, four-lead transmitter, (4) 14.4 in load cell, (4) bearing plates, (4) body coil springs, 35 ft truck cable, 15 ft power cable	\$6,800.00
114308	PL9710-614.4	Six-point indicator kit with 14.4 in load cells (75,000 lb max with dead load) Kit includes: 9710, six-lead transmitter, (6) 14.4 in load cell, (6) bearing plates, (8) body coil springs, anti rotation plate, 35 ft truck cable, 15 ft power cable	\$8,820.00

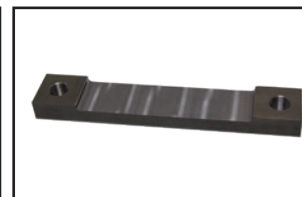
ONBOARD WEIGHING



9700 Series Indicator, PN 114186



PL9000-14.4 Load Cell, PN 115345



Bearing Plate, PN 115309



Transmitter, PN 114190



Cable Assembly, PN 114199



Power Cable, PN 115093

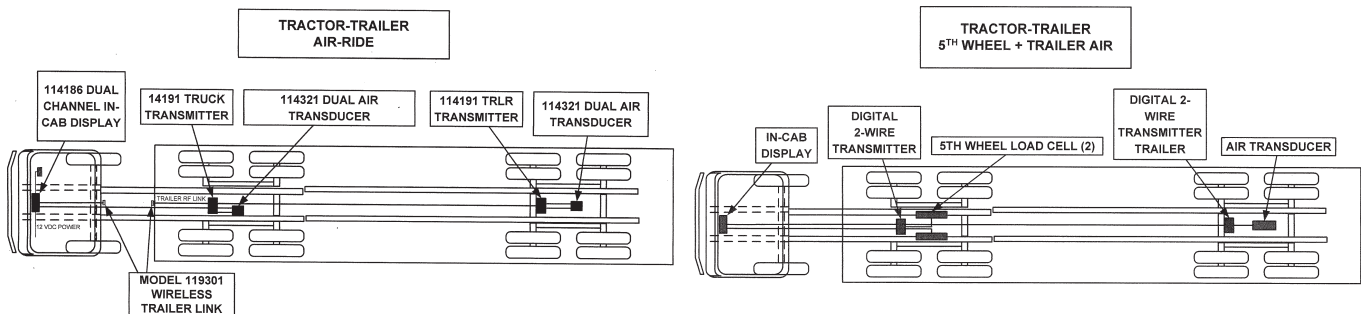
# Tractor-Trailer Kits



Rice Lake Weighing Systems offers an array of onboard scale systems for over-the-road tractor-trailer. Whether you are adding air pressure or load cell sensing, many combinations are available to fit your needs. Talk with one of our product specialists to find an onboard weighing solution for your tractor-trailer.

## Part Number/Price

Part #	Model #	Description	Price
<b>Air Ride Kit, Tractor/Trailer</b>			
114286	PL9700-200	Dual transducer kit (tractor-trailer) Kit includes: 9700, (2) air transmitter 2-lead, (2) dual air pressure transducer, 35 ft & 80 ft truck cable, 15 ft power cable	\$3,880.00
<b>Fifthwheel Kit w/Air Ride Trailer Kit</b>			
114295	PL9701-250H	Holland fixed 5th wheel kit (25,000 lb max with dead load) Kit includes: 9700, dual lead transmitter, (2) 5th wheel bending beam/suspension load cell, 35 ft truck cable, 15 ft power cable, hardware	\$4,620.00
114294	PL9701-200	Dual transducer kit (trailer only) Kit includes: Air transmitter 2-lead LC, dual air pressure transducer, 80 ft truck cable	\$1,360.00



ONBOARD WEIGHING



9700 Series Indicator, PN 114186



Air Pressure Transducer, PN 114321



Transmitter, PN 114191



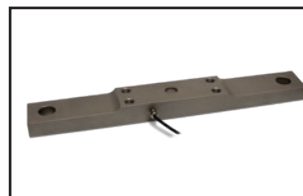
Cable Assembly, PN 114199



Trailer Cable, PN 114201



Power Cable, PN 115093



PL9000-50 Load Cell, PN 114326



Trunnion, Holland, PN 115104



# Loadrunner®

## Dump Truck Systems Kit

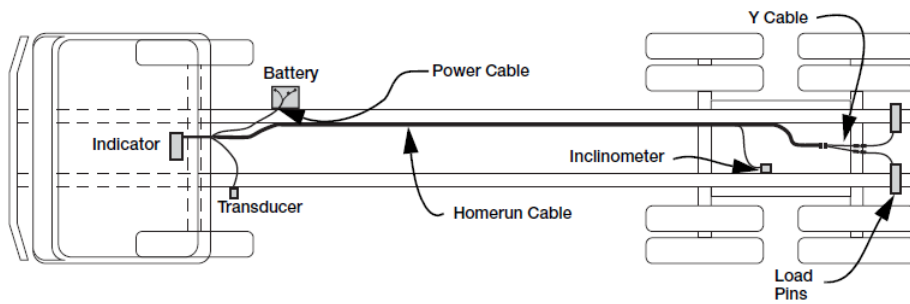


Rice Lake Weighing Systems' onboard scale systems assure optimal and safe use of a truck's payload capacity. The Loadrunner dump truck system incorporates both load cell and hydraulic pressure sensing. Weight information is obtained when the dump body is lifted a few inches off the frame. Speak with one of our product specialists to learn more about how Loadrunner can benefit your fleet operations.

### Part Number/Price

Part #	Description	Price
158195	Dump truck system with 2-inch load pins, indicator, cables and hardware	\$5,200.00

ONBOARD WEIGHING



OB-350 Indicator, PN 131219



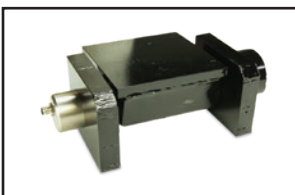
Hydraulic Transducer, PN 131211



Dump Truck Load Pin, PN 181895



Onboard Inclinometer, PN 131222



Dump Truck Hardware Kit



Power Cable, PN 131221



Y-Splitter Cable, PN 131226



Homerun Cable, PN 131228

*Compatibility note: The Loadrunner dump truck kit has been designed for use on dual pin hinge pivot type dump bodies only. For dump truck body rear pivot assemblies using a single hinge bar, contact Rice Lake.*



# TradeRoute® HL Series

Legal for Trade Onboard Weighing System



Double-double Assembly

## Approvals



Measurement  
Canada  
Approved



Single Assembly



Double Assembly

## Standard Features

### Legal for Trade Onboard System Includes

- 3 or 4 point onboard system RL20000 load cell with 20 ft cable, IP67
- 80-foot conduit cable
- Magnetic transport alarm sensor with 15 ft cable
- JB4SS junction box
- Hydraulic line locks and hoses
- 920i® Onboard Weigh Center
- Hydraulic pump not included
- Minimum 3,000 PSI recommended to maintain 2,200 PSI during lift

### 920i Onboard Weigh Center

- Epson® TM-U295 printer with splash shield
- Pre-installed 30 ft power cable, 30 ft load cell cable and inclinometer
- Transport alarm LEDs
- Power switch
- Start/End switch
- Waterproof enclosure
- Vibration mounts
- Mounting bracket to body not included

### 920i USB Universal with Onboard Software

- RS-232 port for connecting to ticket printer
- Standard onboard software
- USB interface board only

### USB Interface Functions

- Available upon special request using a Type A sealed connection
- USB interface card on Port 2
- Supports weigh mode and configuration mode functions
- Supports upload of databases and 920i configuration file
- Supports download of databases, 920i configuration file, iRite®, COD file and firmware file
- Sanity checks for command errors
- Create STD database files

### Flash Drives

- Supports USB 2.0 (optional)
- Create subdirectories by unit ID and database name
- Use the root directory for generic files

## Specifications

### Capacity:

Up to 60,000 lb (30,000 kg)

### Load Cell:

Rice Lake RL20000I alloy steel  
S-Beam, 20 ft cable

### Junction Box:

JB4SS TuffSeal®

### Rating/Material:

NEMA Type 4X  
Stainless steel enclosure

### Power Input:

9 to 36 VDC

### Weigh Center:

920i® series weight controller  
Epson® TM-U295

### Approvals:

NTEP CC 15-102 Class III/IIIL  
Measurement Canada AM-4847

ONBOARD WEIGHING

# TradeRoute® HL Series

Legal for Trade Onboard Weighing System

## Part Number/Price

Part #	Model #	Description	Price
<b>TradeRoute Package (Includes 920i Weigh Center)</b>			
131098	AN15L-3	15,000 lb × 5 lb/8,000 kg × 2 kg 3-point system, OB5-SGL5 / OB10-DBL5 modules	\$14,900.00
131099	AN20L-4	20,000 lb × 5 lb/10,000 kg × 2 kg 4-point system, OB10-DBL5 (x2) modules	\$18,200.00
131100	AN30L-3	30,000 lb × 10 lb/15,000 kg × 5 kg 3-point system, OB10-SGL10 / OB20-DBL10 modules	\$16,300.00
131101	AN40L-4	40,000 lb × 10 lb/20,000 kg × 5 kg 4-point system, OB20-DBL10 (x2) modules	\$18,200.00
131103	AN60L-4	60,000 lb × 10 lb/30,000 kg × 5 kg 4-point system, OB30-DBL15 (x2) modules	\$20,400.00
<b>TradeRoute Package (Includes In-cab 920i, Alarm and Inclinator)</b>			
221327	AN15L-3	15,000 lb × 5 lb/8,000 kg × 2 kg 3-point system, OB5-SGL5 / OB10-DBL5 modules	\$14,400.00
221328	AN20L-4	20,000 lb × 5 lb/10,000 kg × 2 kg 4-point system, OB10-DBL5 (x2) modules	\$17,700.00
221329	AN30L-3	30,000 lb × 10 lb/15,000 kg × 5 kg 3-point system, OB10-SGL10 / OB20-DBL10 modules	\$15,800.00
214818	AN40L-4	40,000 lb × 10 lb/20,000 kg × 5 kg 4-point system, OB20-DBL10 (x2) modules	\$17,700.00
219104	AN60L-4	60,000 lb × 10 lb/30,000 kg × 5 kg 4-point system, OB30-DBL15 (x2) modules	\$18,900.00
<b>System Components</b>			
131442	–	920i® Weigh Center package includes: Indicator, Epson® Ticket Printer, 25ft load cell cable, power cable, housing, vibration mounts for installation to customer supplied mounting bracket	\$5,350.00
154109	–	In-cab indicator 920i (requires 154112, 154111 and printer)	\$4,150.00
154112	–	In-cab LED alarm assembly, 8 ft cable	\$130.00
154111	–	Inclinometer, junction box assembly, 35 ft cable	\$750.00
65635	–	Epson TM-U295 printer	\$630.00
131811	–	Optional LED cab alarm, 35 ft	\$150.00
15494	EL146HE	Four conductor hostile environment load cell cable	\$1.96/ft
88956	JB4SS	JB4SS signal trim j-box with PG37 cord grips	\$275.00
128123	–	Conduit, 1/2 in non metallic liquid tight polytuf®	\$12.00/ft
128670	OB5-SGL5	Low profile 5,000 lb single assembly	\$4,870.00
128666	OB10-DLB5	Low profile 10,000 lb double assembly	\$6,140.00
127956	OB10-SGL10	Low profile 10,000 lb single assembly	\$4,870.00
127958	OB20-DBL10	Low profile 20,000 lb double assembly	\$6,140.00
127959	OB30-DBL15	Low profile 30,000 lb double assembly	\$8,520.00
155300	OB30-TAN15	Low profile 30,000 lb single tandem assembly	\$10,320.00

Note: Connect to your existing hydraulic pump with a maximum pressure of 3,000 PSI with a minimum flow of 5 GPM for best performance of lifting speed.

Note: Contact factory for other capacities not shown.

ONBOARD WEIGHING

# Overhead Weighing

## TABLE OF CONTENTS

<b>MSI-3460 Challenger 3</b> .....	<b>790</b>
<i>Crane Scale</i>	
<b>MSI-4260 Port-A-Weigh</b> .....	<b>792</b>
<i>Industrial Crane Scale</i>	
<b>MSI-4260 IS Port-A-Weigh</b> .....	<b>794</b>
<i>Intrinsically Safe Crane Scale</i>	
<b>MSI-4260M Port-A-Weigh</b> .....	<b>795</b>
<i>Industrial Crane Scale</i>	
<b>MSI-4260M Port-A-Weigh</b> .....	<b>797</b>
<i>Marine Crane Scale</i>	
<b>MSI-9600HT Hi-Torque Port-A-Weigh Plus</b> .....	<b>798</b>
<i>High Torque Crane Scale</i>	
<b>MSI-6360 Trans-Weigh</b> .....	<b>799</b>
<i>Crane Scale</i>	
<b>RL101 Scale</b> .....	<b>801</b>
<i>Compact Digital Below-the-Hook Scale</i>	
<b>Crane Scale Cart</b> .....	<b>802</b>
<i>Universal Transport and Storage Cart</i>	
<b>MSI-7300 Dyna-Link 2</b> .....	<b>803</b>
<i>Digital Tension Dynamometer</i>	
<b>MSI Dyna-Clamp</b> .....	<b>805</b>
<i>Tension Meter</i>	
<b>MSI Clamp-On</b> .....	<b>806</b>
<i>Load Cell</i>	
<b>MSI Load Pin Sensors</b> .....	<b>807</b>
<b>MSI Load Pin Questionnaire</b> .....	<b>808</b>
<b>MSI Shear Web</b> .....	<b>809</b>
<i>Load Cell</i>	
<b>MSI Tension Link</b> .....	<b>810</b>
<i>Load Cell</i>	
<b>Shackle Dimensions</b> .....	<b>811</b>
<b>MSI-8000</b> .....	<b>812</b>
<i>RF Remote Display</i>	
<b>MSI-8000HD</b> .....	<b>813</b>
<i>Indicator/Remote Display</i>	
<b>MSI-8004HD</b> .....	<b>815</b>
<i>Indicator/RF LED Remote Display</i>	
<b>MSI Scoreboards Wireless RF</b> .....	<b>817</b>
<i>Featuring LaserLight2 Remote Displays</i>	
<b>TranSend™ MSI-7000</b> .....	<b>818</b>
<i>Wireless Load Cell Interface System</i>	
<b>TranSend™ MSI-7001</b> .....	<b>820</b>
<i>Wireless Load Cell Interface System</i>	
<b>TranSend™ MSI-7000HD</b> .....	<b>822</b>
<i>Wireless Load Cell Interface System</i>	
<b>TranSend™ MSI-7001HD</b> .....	<b>823</b>
<i>Wireless Load Cell Interface System</i>	
<b>ScaleCore Webserver</b> .....	<b>824</b>
<i>Wireless Network Router/Webserver</i>	
<b>Rugged Remote</b> .....	<b>826</b>
<b>WiFi Information Request</b> .....	<b>827</b>

The following product names, logos, brands and other trademarks featured or referred to within this publication are the property of their respective trademark holders.

# MSI-3460 Challenger 3

Crane Scale



## Approvals



## Standard Features

- Multi-color LED display
- Top lifting eye and bottom swivel hook
- Lb/kg switch selectable
- Six volt rechargeable battery and universal 115/230 VAC, 50/60 Hz battery charger (NA plug standard)
- Meets or exceeds OSHA, ANSI, ASME and other safety design standards (5:1 Ultimate Safety Factor)
- NTEP Certified (250 to 10,000 lb capacities)

## Part Number/Price

Part #	Description	Est. Weight	Price
207063	250 lb (125 kg) 0.1 lb (0.05 kg)	22 lb	\$2,565.00
208091	500 lb (250 kg) 0.2 lb (0.1 kg)	22 lb	\$2,565.00
207064	1,000 lb (500 kg) 0.5 lb (0.2 kg)	22 lb	\$2,715.00
208138	2,000 lb (1,000 kg) 1 lb (0.5 kg)	22 lb	\$2,715.00
207065	5,000 lb (2,500 kg) 2 lb (1 kg)	39 lb	\$3,370.00
208092	10,000 lb (5,000 kg) 5 lb (2 kg)	39 lb	\$3,370.00
207067	15,000 lb (7,000 kg) 5 lb (2 kg)	67 lb	\$5,080.00
207633	250 lb (125 kg), RF Modem 0.1 lb (0.05 kg)	22 lb	\$2,730.00
208096	500 lb (250 kg), RF Modem 0.2 lb (0.1 kg) 22 lb	22 lb	\$2,730.00
207635	1,000 lb (500 kg), RF Modem 0.5 lb (0.2 kg) 22 lb	22 lb	\$2,885.00
208140	2,000 lb (1,000 kg), RF Modem 1 lb (0.5 kg)	22 lb	\$2,885.00
207637	5,000 lb (2,500 kg), RF Modem 2 lb (1 kg) 39 lb	39 lb	\$3,540.00
208098	10,000 lb (5,000 kg), RF Modem 5 lb (2 kg) 39 lb	39 lb	\$3,540.00
207639	15,000 lb (7,000 kg), RF Modem 5 lb (2 kg) 67 lb	67 lb	\$5,270.00
207640	250 lb (125 kg), with Wi-Fi 0.1 lb (0.05 kg) 22 lb	22 lb	\$2,870.00
208100	500 lb (250 kg), with Wi-Fi 0.2 lb (0.1 kg) 22 lb	22 lb	\$2,870.00
207642	1,000 lb (500 kg), with Wi-Fi 0.5 lb (0.2 kg) 22 lb	22 lb	\$3,020.00
208141	2,000 lb (1,000 kg), with Wi-Fi 1 lb (0.5 kg) 22 lb	22 lb	\$3,020.00
207644	5,000 lb (2,500 kg), with Wi-Fi 2 lb (1 kg) 39 lb	39 lb	\$3,675.00
208102	10,000 lb (5,000 kg), with Wi-Fi 5 lb (2 kg) 39 lb	39 lb	\$3,675.00
207646	15,000 lb (7,000 kg), with Wi-Fi 5 lb (2 kg)	67 lb	\$5,410.00

## Options

(Contact MSI for application consultation)

- RF modem install for connectivity to MSI-8000, MSI-8000HD RF, MSI-8004HD RF remote display, TranSend™ and LaserLight2 remote display (Typical range 100-300 ft line of sight)
- Rugged Remote (control for Off, Zero, Tare and other functions) (Requires 3460RF version, typical range 50 ft line of sight)
- Universal direct power supply (115/230 VAC)
- Audible alarm
- Wi-Fi communication is available for specialty applications

## Specifications

### Accuracy:

± 0.1% (+1 d) of applied load

### Resolution:

2,500 d max standard  
(up to 10,000 d max non-standard)

### Enclosure:

NEMA 4, IP65, powder coated cast aluminum

### Lifting Eye & Hook:

Crosby® or equivalent with 360° non-bearing swivel hook

### Design Overload:

200% safe / 500% ultimate

### Functions:

Power, zero, tare, user (programmable)

### Display:

Five-digit, 1.5 in (38 mm) LED with programmable brightness control; toggle between red, orange and green digits

### Displayable Units:

Pounds or kilogram selectable

### Annunciators:

COZ, net, gross, total, peak, low battery, lb/kg, motion, setpoints, ACK IN, ACK OUT, RF

### Power:

6 volt rechargeable battery. 115/230 VAC battery charger is included

### Operating Time:

Up to 80 hours between charging with typical use. Less with optional RF model link

### Temperature Range:

Legal: 14 °F to 104 °F (-10 °C to 40 °C)  
Industrial: -10 °F to 104 °F (-40 °C to 40 °C)

### Auto-Off Mode:

Select for 15, 30, 45, 60 minutes or off

### Auto Sleep Mode:

Power down during non-use and power up with weight change or any key press

### Service Counters:

Counts number of lifts over percentage of capacity and lifts over capacity

### Filtering:

OFF, LO, HI-1, HI-2 selectable

### Warranty:

One-year limited

### Approvals:

NTEP 86-021: 250 to 10,000 lb  
OIML R76/2006-A-NL1-21.36  
\*CE  
\*UKCA

\*Contact RLWS MSI Sales for additional information

OVERHEAD WEIGHING

# MSI-3460 Challenger 3

Crane Scale

## Options/Accessories

Part #	Description	Est. Weight	Price
140049	Battery assembly, 6 volt rechargeable	3 lb	\$155.00
139152	Universal 115/230 VAC, 50/60 Hz battery charger (NA plug standard)	5 lb	\$200.00
139153	Battery charger 115/230 VAC, 50/60 Hz (EC plug standard)	5 lb	\$200.00
197201	Battery charger, 115 VAC, 50/60 Hz (NA plug standard) CEC compliant	5 lb	\$245.00
149549	Universal 115/230 VAC 50/60 Hz (NA plug standard) battery charger for MSI-8000 remote display	3 lb	\$165.00
178004	LaserLight2, 4 in (100 mm) six-digit RF scoreboard (requires MSI-3460 with RF modem)	21 lb	\$2,535.00
178006	LaserLight2, 6 in (150 mm) six-digit RF scoreboard (requires MSI-3460 with RF modem)	37 lb	\$3,005.00
Consult	AC power supply	-	\$325.00
140058	3460 AC conversion kit	1 lb	\$465.00
Consult	Audible alarm	-	\$420.00
Consult	3460 retrofit kit	3 lb	Consult
173014	Rugged remote control (requires MSI-3460 with RF modem)	-	\$355.00
139381	MSI-8000 RF remote display (requires MSI-3460 with RF modem)	5 lb	\$1,415.00
153591	MSI-8000HD ScaleCore RF remote display (requires MSI-3460 with RF modem)	-	\$1,541.00
178281	MSI-8004HD AC, red/green 85~264 VAC, 47~440 Hz, 120~370 VDC	-	\$2,120.00

OVERHEAD  
WEIGHING



# MSI-4260 Port-A-Weigh

Industrial Crane Scale



## Approvals



Measurement  
Canada  
Approved

## Standard Features

- Multi-color LED display
- Top lifting eye or shackle, bottom thrust bearing swivel hook
- 12 volt rechargeable battery and universal 115/230 VAC, 50/60 Hz battery charger (NA plug standard)

## Options

(Contact MSI for application consultation)

- Rugged remote control (control for On/Off, Zero, Tare and other functions)
- RF modem install for connectivity to MSI-8000, MSI-8000HD RF, MSI-8004HD RF remote display, TranSend™ and LaserLight2 remote display. Typically 100 to 300 ft, line of sight; for longer range consult factory
- Anti-heat shielding for high temperature applications
- Substitute bottom swivel hook with shackle
- Oversized top lifting eye or shackle
- Oversized bottom hook
- Universal direct power supply; 85 to 265 VAC, 47 to 440 Hz / 130 to 300 VDC
- Wi-Fi communication is available for specialty applications and for use with the ScaleCore Webservice
- Low headroom top adapter
- Audible alarm
- Custom top and bottom interfaces
- Factory Mutual and ATEX approved intrinsically safe models available

## Part Number/Price

Part #	Description	Resolution	Est. Weight	Price
197760	500 lb (250 kg), swivel hook, F/A	0.2 lb (0.1 kg)	53 lb	\$5,305.00
197761	2,000 lb (1,000 kg), swivel hook, F/A	1.0 lb (0.5 kg)	53 lb	\$5,310.00
197762	5,000 lb (2,500 kg), swivel hook, F/A	1.0 lb (0.5 kg)	62 lb	\$5,475.00
197763	10,000 lb (5,000 kg), swivel hook, F/A	2.0 lb (1.0 kg)	62 lb	\$6,005.00
197764	20,000 lb (10,000 kg), swivel hook, F/A	5.0 lb (2.0 kg)	105 lb	\$6,950.00
197765	30,000 lb (15,000 kg), swivel hook, F/A	10 lb (5.0 kg)	125 lb	\$7,040.00
197766	50,000 lb (25,000 kg), swivel hook, F/A	10 lb (5.0 kg)	235 lb	\$12,380.00
197767	70,000 lb (35,000 kg), swivel hook, F/A	20 lb (10 kg)	270 lb	\$17,480.00
197768	100,000 lb (50,000 kg), swivel hook, F/A	20 lb (10 kg)	420 lb	\$25,345.00

## Specifications

### Accuracy:

± 0.1% +1d of applied load

### Resolution:

2,000 to 5,000 d standard  
(Up to 10,000 d available)

### Enclosure:

NEMA Type 4, IP66 marine grade 356 alloy anodized cast aluminum

### Lifting Eye, Shackle & Hook:

Crosby® or equal with 360° thrust-bearing swivel hook

### Design Overload:

200% Safe / 500% Ultimate (except where noted)

### Functions:

Power, zero, tare, F1 (programmable)

### Display:

1.2" (30 mm), 5-digit, programmable LED display, multi-color (red, orange, and green)

### Displayable Units:

Pounds or kilograms selectable

### Annunciators:

COZ, Net, Gross, Total, Peak, Low Battery, lb/kg, Motion, Setpoints

### Power:

12 Volt rechargeable battery (115/230 VAC battery charger is included)

### Operating Time:

Up to 200 hours between charging with typical use, less with optional RF modem

### Temperature Range:

Operating: -40 °F to 122 °F (-40 °C to 50 °C)  
Certified: 14 °F to 104 °F (-10 °C to 40 °C)

### Auto-Off Mode:

Select for 15, 30, 45 minutes, 1 hour or off

### Auto Sleep Mode:

Power down during non-use and power up with weight change or any key press

### Service Counters:

Counts number of lifts over percentage of capacity and lifts over capacity

### Filtering:

OFF, LO, HI-1, HI-2 selectable

### Warranty:

One-year limited

### Approvals:

NTEP CC 19-122: 500 to 70,000 lb  
Measurement Canada AM-6198: 500 to 5,000 lb

OVERHEAD  
WEIGHING



# MSI-4260 Port-A-Weigh

Industrial Crane Scale

## Options/Accessories

Part #	Description	Est. Weight	Price
150971	MSI RF modem option kit (used with MSI-4260, MSI-4260M, MSI-9600HT)	-	\$250.00
139381	MSI-8000 RF remote display (requires MSI-4260 equipped with RF modem)	5 lb	\$1,415.00
173014	RF rugged remote control (requires MSI-4260 equipped with RF modem)	-	\$355.00
153591	MSI-8000HD remote display, AC power and tilt bracket option (requires MSI-4260 equipped with RF modem)	3 lb	\$1,541.00
178281	MSI-8004HD AC, red/green 85~264 VAC, 47~440 Hz, 120~370 VDC (requires MSI-4260 equipped with RF modem)	-	\$2,120.00
159221	Universal crane scale transport cart	180 lb	\$1,340.00
178004	LaserLight2, 4 in (100 mm) six-digit RF scoreboard (requires MSI-4260 equipped with RF modem)	21 lb	\$2,535.00
178006	LaserLight2, 6 in (150 mm) six-digit RF scoreboard (requires MSI-4260 equipped with RF modem)	37 lb	\$3,005.00
Consult	AC direct power supply	-	\$560.00
Consult	Audible alarm	-	\$420.00
Consult	Anti-heat shield	-	\$1,125.00
Consult	4260 retrofit kit	5 lb	Consult
176956	MSI Wi-Fi modem option kit (used in MSI-4260, MSI-4260M, MSI-6360, MSI-9600HT)	-	\$490.00
150367	Battery assembly, 12 V rechargeable	7 lb	\$145.00
138006	Universal 115/230 VAC, 50/60 Hz battery charger (NA plug standard)	4 lb	\$345.00
138007	Universal 115/230 VAC, 50/60 Hz battery charger (UK plug standard)	4 lb	\$345.00
138008	Universal 115/230 VAC, 50/60 Hz battery charger (EC plug standard)	4 lb	\$345.00
149549	Universal 115/ 230 VAC 50/60 Hz (NA plug standard) battery charger for MSI-8000 remote display	3 lb	\$165.00
<b>4260 Sub Hook with Shackle</b>			
Consult	500 to 10,000 lb, 6.5 ton shackle	-	Consult
Consult	20,000 to 30,000 lb, 17 ton shackle	-	Consult
Consult	50,000 lb, 25 ton shackle	-	Consult
Consult	70,000 lb, 40 ton shackle	-	Consult
Consult	100,000 lb, 55 ton shackle	-	Consult
<b>4260 Oversize Lifting Eye/Shackle</b>			
Consult	500 to 10,000 lb capacity	-	Consult
Consult	20,000 to 30,000 lb capacity, adapter with 25 ton shackle	-	Consult
Consult	50,000 to 70,000 lb capacity	-	Consult
Consult	100,000 lb capacity	-	Consult

OVERHEAD  
WEIGHING

# MSI-4260 IS Port-A-Weigh

Intrinsically Safe Crane Scale



## Approvals



## Standard Features

- LED display
- Top lifting eye or shackle, bottom thrust bearing swivel hook
- 12 volt rechargeable battery and universal 115/230 VAC, 50/60 Hz battery charger (NA plug standard)

(Contact MSI for application consultation)

## Part Number/Price

Part #	Description	Resolution	Price
156013	500 lb (250 kg), swivel hook	0.2 lb (0.1 kg)	\$7,085.00
156014	2,000 lb (1,000 kg), swivel hook	1.0 lb (0.5 kg)	\$7,085.00
156015	5,000 lb (2,500 kg), swivel hook	1.0 lb (0.5 kg)	\$7,085.00
156016	10,000 lb (5,000 kg), swivel hook	2.0 lb (1.0 kg)	\$7,085.00
156017	20,000 lb (10,000 kg), swivel hook	5.0 lb (2.0 kg)	\$8,970.00
156018	30,000 lb (15,000 kg), swivel hook	10 lb (5.0 kg)	\$8,970.00
156019	50,000 lb (25,000 kg), swivel hook	10 lb (5.0 kg)	\$13,225.00
156020	70,000 lb (35,000 kg), swivel hook	20 lb (10 kg)	\$15,635.00
156021	100,000 lb (50,000 kg), swivel hook	20 lb (10 kg)	\$24,075.00

Capacities over 70,000lb are not NTEP

## Options/Accessories

Part #	Description	Price
170606	Battery charger	\$330.00
167777	Spare battery	\$295.00

## Specifications

### Accuracy:

± (0.1% +1 d) of applied load

### Resolution:

3,000 to 5,000 d standard  
(up to 10,000 d available)

### Enclosure:

NEMA Type 4, IP66 marine grade 356 alloy  
anodized cast aluminum

### Intrinsic Safety:

USA Listings  
FM16US0156X  
IS Class I, Division 1, Groups C, D; T4 - PN 184530  
IS Class II, Division 1, Groups, E, F, G; T4; Class III,  
Division 1 - PN 184530  
Class I, Zone 0, AEx ia IIB T4 Ga - PN 184530  
Class I, Zone 20, AEx ia IIIC T135°C Da - PN 184530  
Ta = -20 °C to +50 °C  
Canada Listings  
FM16CA0092X  
Ex ia Class I, Division 1, Groups C, D; T4 - PN 184530  
Ex ia Class II, Division 1, Groups E, F, G, Class III,  
Division 1; T4 - PN 184530  
Class I, Zone 0, Ex ia IIB T4 Ga - PN 184530  
Class I, Zone 20, Ex ia IIIC T135°C Da - PN 184530  
TA = -10 °C to +50 °C  
ATEX / UKEX Listings  
FM18ATEX0052X  
FM21UKEX0104X  
II 1 G Ex ia IIB T4 Ga  
II 1 D Ex ia IIIC T135°C Da  
-10 °C Ta +50 °C

### Lifting Eye, Shackle & Hook:

Crosby® or equal with 360° thrust-bearing  
swivel hook

### Design Overload:

200% Safe / 500% Ultimate (except where noted)

### Functions:

Power, zero, tare, Mode F1 (programmable)

### Display:

Five-digit, 1.2 in (30 mm) LED with  
programmable brightness control

### Displayable Units:

Pounds or kilograms selectable

### Annunciators:

COZ, Net, Gross, Total, Peak, Low Battery, lb/kg,  
Motion, Setpoints

### Power:

12 volt rechargeable battery  
115/230 VAC approved battery charger is included

### Temperature Range:

Certified: -10 °C to 40 °C

### Operating Time:

Up to 200 hours between charging with typical use

### Auto-Off Mode:

Select for 15, 30, 45 minutes, 1 hour or Off

### Auto Sleep Mode:

Power down during non-use and power up with  
weight change or any key press

### Service Counters:

Counts number of lifts over percentage of capacity  
and lifts over capacity

### Filtering:

OFF, LO, HI-1, HI-2 selectable

### Warranty:

One-year limited

### Approvals:

NTEP 19-122: 500 to 70,000 lb  
Measurement Canada AM-6198: 500 to 5,000 lb  
cFMus Approved

# MSI-4260M Port-A-Weigh

Industrial Crane Scale



## Standard Features

- LCD display
- IP66 cast aluminum
- Top lifting eye or shackle, bottom thrust bearing swivel hook
- Battery operated, six (6) D cell 1.5V alkaline batteries or 12 volt rechargeable battery (115/230 VAC battery charger is included)

## Options

(Contact MSI for application consultation)

- Rugged Remote (control for On/Off, Zero, Tare and other functions)
- RF modem install for connectivity to MSI-8000, MSI-8000HD RF, MSI-8004HD RF remote display, TranSend™ and LaserLight2 remote display
- Wi-Fi communication is available for specialty applications
- Anti-heat shielding for high temperature applications
- Substitute bottom swivel hook with shackle
- Oversized top lifting eye or shackle
- Oversized bottom hook
- Universal direct power supply; 85 to 265 VAC, 47 to 440 Hz / 130 to 300 VDC
- Low headroom top adapter
- Audible alarm
- Custom top and bottom interfaces

## Specifications

### Accuracy:

± 0.1% +1 d of applied load

### Resolution:

Max NTEP Approved Class III: 2,500 d  
Max NTEP Approved Class IIII: 5,000 d  
Max Non-NTEP Approved: 10,000 d

### Enclosure:

IP66 cast aluminum

### Lifting Eye, Shackle & Hook:

Crosby® or equal with 360° thrust-bearing swivel hook

### Design Overload:

200% Safe / 500% Ultimate (except where noted)

### Functions:

Power: Turns Unit ON or OFF  
Zero: Zeros applied load up to 100% of capacity (limited range in NTEP configuration)  
Tare: Tares applied load and displays weight in Net mode  
User: Programmable as test, total, unit, peak hold, net/gross, view total and print

### Display:

Five-digit, 1.75 in (44.5 mm) LCD with programmable brightness control

### Displayable Units:

Pounds or kilograms selectable

### Annunciators:

COZ, Battery Level, Net, Total, lb/kg, Stability, RF and Setpoint LEDs

### Power:

Battery operated, six (6) D cell 1.5V alkaline batteries or 12 volt rechargeable battery (115/230 VAC battery charger is included)

### Operating Time:

Six (6) D Cell 1.5V alkaline batteries:  
Up to 1,000 hours of battery life with typical use, less with RF modem  
12 volt rechargeable battery: Up to 250 hours between charging with typical use, less with RF modem

### Temperature Range:

Operating: -20 °F to 122 °F (-28 °C to 50 °C)  
Certified: 14 °F to 104 °F (-10 °C to 40 °C)

### Auto-Off Mode:

Powers off after the scale is not used for the set time (in minutes); 15, 30, 45, 60 or OFF selectable

### Auto Sleep Mode:

Power down during non-use after the set time (in minutes) and powers up with weight change or any key press; 5, 15, 30 or OFF selectable

### Service Counters:

Counts number of lifts over percentage of capacity and lifts over capacity

### Filtering:

OFF, LO, HI-1 or HI-2 selectable

### Radio Link:

802.15.4 at 2.4 GHz

### Radio Effective Range:

Typically 100 to 300 ft line of sight

### Warranty:

One-year limited

### Approvals:

NTEP CC 19-122: 500 to 70,000 lb  
Measurement Canada AM-6198: 500 to 5,000 lb

## Approvals



Measurement  
Canada  
Approved

## Part Number/Price

Part #	Description	Resolution	Est. Weight	Price
<b>4260M with LCD display, Swivel Hook, No RF, 12V SLA Battery</b>				
201951	500 lb (250 kg) with 12V battery F/A	0.2 lb (0.1 kg)	53 lb	\$5,260.00
201953	2,000 lb (1,000 kg) with 12V battery F/A	1.0 lb (0.5 kg)	53 lb	\$5,265.00
201954	5,000 lb (2,500 kg) with 12V battery F/A	1.0 lb (0.5 kg)	62 lb	\$5,610.00
201955	10,000 lb (5,000 kg) with 12V battery F/A	2.0 lb (1.0 kg)	62 lb	\$5,845.00
201956	20,000 lb (10,000 kg) with 12V battery F/A	5.0 lb (2.0 kg)	105 lb	\$7,620.00
201957	30,000 lb (15,000 kg) with 12V battery F/A	10 lb (5.0 kg)	125 lb	\$8,005.00
201958	50,000 lb (25,000 kg) with 12V battery F/A	10 lb (5.0 kg)	235 lb	\$12,255.00
201959	70,000 lb (35,000 kg) with 12V battery F/A	20 lb (10 kg)	270 lb	\$16,040.00
201960	100,000 lb (50,000 kg) with 12V battery F/A	20 lb (10 kg)	420 lb	\$24,400.00
<b>4260M with LCD display, Swivel Hook, No RF, D-Cell Battery</b>				
201999	500 lb (250 kg) with D-cell battery F/A	0.2 lb (0.1 kg)	53 lb	\$5,265.00
202000	2,000 lb (1,000 kg) with D-cell battery F/A	1.0 lb (0.5 kg)	53 lb	\$5,265.00
202001	5,000 lb (2,500 kg) with D-cell battery F/A	1.0 lb (0.5 kg)	62 lb	\$5,610.00
202002	10,000 lb (5,000 kg) with D-cell battery F/A	2.0 lb (1.0 kg)	62 lb	\$5,845.00
202003	20,000 lb (10,000 kg) with D-cell battery F/A	5.0 lb (2.0 kg)	105 lb	\$7,620.00
202004	30,000 lb (15,000 kg) with D-cell battery F/A	10 lb (5.0 kg)	125 lb	\$8,005.00
202005	50,000 lb (25,000 kg) with D-cell battery F/A	10 lb (5.0 kg)	235 lb	\$12,255.00
202006	70,000 lb (35,000 kg) with D-cell battery F/A	20 lb (10 kg)	270 lb	\$16,040.00
202007	100,000 lb (50,000 kg) with D-cell battery F/A	20 lb (10 kg)	420 lb	\$24,400.00

Capacities over 70,000lb are not NTEP and capacities over 5,000lb are not currently Measurement Canada

OVERHEAD  
WEIGHING

# MSI-4260M Port-A-Weigh

Industrial Crane Scale

## Options/Accessories

Part #	Description	Est. Weight	Price
150971	MSI RF modem option kit (used in MSI-4260, MSI-4260M, MSI-9600HT)	-	\$250.00
139381	MSI-8000 RF remote display (requires MSI-4260M equipped with RF modem)	5 lb	\$1,415.00
173014	RF rugged remote control (requires MSI-4260M equipped with RF modem)	-	\$355.00
153591	MSI-8000HD remote display, AC power and tilt bracket option (requires MSI-4260M equipped with RF modem)	3 lb	\$1,541.00
178281	MSI-8004HD AC, red/green 85~264 VAC, 47~440 Hz, 120~370 VDC	-	\$2,120.00
159221	Universal crane scale transport cart	180 lb	\$1,340.00
178004	LaserLight2, 4 in (100 mm) six-digit RF scoreboard (requires MSI-4260M equipped with RF modem)	21 lb	\$2,535.00
178006	LaserLight2, 6 in (150 mm) six-digit RF scoreboard (requires MSI-4260M equipped with RF modem)	37 lb	\$3,005.00
176956	MSI Wi-Fi modem option kit (used in MSI-4260, MSI-4260M, MSI-6360, MSI-9600HT)	-	\$490.00
<b>Accessories</b>			
150367	Battery assembly, 12V rechargeable	7 lb	\$145.00
138006	Universal 115/230 VAC, 50/60 Hz battery charger (NA plug standard)	4 lb	\$345.00
138007	Universal 115/230 VAC, 50/60 Hz battery charger (UK plug standard)	4 lb	\$345.00
138008	Universal 115/230 VAC, 50/60 Hz battery charger (EC plug standard)	4 lb	\$345.00
149549	Universal 115/ 230 VAC 50/60 Hz (NA plug standard) battery charger for MSI-8000 remote display	3 lb	\$165.00
<b>4260 Sub Hook with Shackle</b>			
Consult	500 to 10,000 lb, 6.5 ton shackle	-	Consult
Consult	20,000 to 30,000 lb, 17 ton shackle	-	Consult
Consult	50,000 lb, 25 ton shackle	-	Consult
Consult	70,000 lb, 40 ton shackle	-	Consult
Consult	100,000 lb, 55 ton shackle	-	Consult
<b>4260 Oversize Lifting Eye/Shackle</b>			
Consult	500 to 10,000 lb capacity	-	Consult
Consult	20,000 to 30,000 lb capacity, adapter with 25 ton shackle	-	Consult
Consult	50,000 to 70,000 lb capacity	-	Consult
Consult	100,000 lb capacity	-	Consult

OVERHEAD  
WEIGHING

# MSI-4260M Port-A-Weigh

Marine Crane Scale



## Standard Features

- LCD display
- IP66 cast aluminum
- Top lifting eye with lower link interface
- Battery operated, six (6) D cell 1.5V alkaline batteries

## Options

(Contact MSI for application consultation)

- Rugged Remote (control for On/Off, Zero, Tare and other functions)
- RF modem install for connectivity to MSI-8000, MSI-8000HD, MSI-8004HD, TranSend™ and LaserLight2 remote display. Typically 100 to 300 ft, line of sight; for longer range consult factory.
- Wi-Fi communication is available for specialty applications

## Specifications

### Accuracy:

± (0.1% +1d) of applied load

### Resolution:

Max NTEP Approved Class III: 2,500 Divisions  
Max NTEP Approved Class IIII: 5,000 Divisions  
Max Non NTEP Approved: 10,000 Divisions

### Enclosure:

IP66 cast aluminum

### Lifting Eye, Link & Hook:

Top lifting eye with lower link interface

### Design Overload:

200% Safe / 500% Ultimate

### Functions:

Power: Turns Unit ON or OFF  
Zero: Zeros applied load up to 100% of capacity (limited range in NTEP configuration),  
Tare: Tares applied load and displays weight in Net mode  
User: Programmable as test, total, unit, peak hold, net/gross, view total and print

### Display:

Five-digit, 1.75 in (44.5 mm) LCD with programmable brightness control

### Displayable Units:

Pounds or kilograms selectable

### Annunciators:

COZ, Battery Level, Net, Total, lb/kg, Stability, RF and Setpoint LEDs

### Power:

Battery operated, six (6) D cell 1.5 V alkaline batteries

### Operating Time:

Up to 1,000 hours of battery life with typical use, less with RF modem option

### Temperature Range:

Operating: -20° F to 122° F (-28 °C to 50 °C)  
Certified: 14 °F to 104 °F (-10 °C to 40 °C)

### Auto-Off Mode:

Powers off after the scale is not used for the set time (in minutes); 15, 30, 45, 60 or OFF selectable

### Auto Sleep Mode:

Power down during non-use after the set time (in minutes) and powers up with weight change or any key press; 5, 15, 30 or OFF selectable

### Service Counters:

Counts number of lifts over percentage of capacity and lifts over capacity

### Filtering:

OFF, LO, HI-1 or HI-2 selectable

### Radio Link:

802.15.4 at 2.4 GHz

### Radio Effective Range:

Typically 100 to 300 ft line of sight

### Warranty:

One-year limited

### Approvals:

NTEP CC 19-122: 500 to 70,000 lb  
Measurement Canada AM-6198: 500 to 5,000 lb

## Approvals



Measurement  
Canada  
Approved

## Part Number/Price

Part #	Description	Resolution	Est. Weight	Price
194593	5,000 lb	1.0 lb (0.5 kg)	58 lb	\$5,310.00
196908	5,000 lb w/RF	1.0 lb (0.5 kg)	58 lb	\$5,640.00

## Options/Accessories

Part #	Description	Est. Weight	Price
139381	MSI-8000 RF remote display (requires MSI-4260M equipped with RF modem)	5 lb	\$1,415.00
173014	RF rugged remote control (requires MSI-4260M equipped with RF modem)	-	\$355.00
153591	MSI-8000HD remote display, AC power and tilt bracket option (requires MSI-4260M equipped with RF modem)	3 lb	\$1,541.00
178281	MSI-8004HD AC, red/green 85~264 VAC, 47~440 Hz, 120~370 VDC	-	\$2,120.00
159221	Universal crane scale transport cart	180 lb	\$1,340.00
178004	LaserLight2, 4 in (100 mm) six-digit RF scoreboard (requires MSI-4260M equipped with RF modem)	21 lb	\$2,535.00
178006	LaserLight2, 6 in (150 mm) six-digit RF scoreboard (requires MSI-4260M equipped with RF modem)	37 lb	\$3,005.00
176956	MSI Wi-Fi modem option kit (used in MSI-4260, MSI-4260M, MSI-6360, MSI-9600HT)	-	\$490.00

OVERHEAD  
WEIGHING



# MSI-9600HT Hi-Torque Port-A-Weigh Plus

High Torque Crane Scale



## Options

(Contact MSI for application consultation)

- Top shackle
- Rugged Remote (control for on/off, zero, tare and other functions)
- Anti-heat shielding for high-temperature applications
- Substitute bottom hook with shackle
- Oversized top or shackle
- Oversized bottom hooks
- Universal direct power supply
- Wi-Fi communication is available for specialty applications
- RF modem install for connectivity to MSI-8000, MSI-8000HD RF, MSI-8004HD RF remote display, TranSend™ and LaserLight2 remote display
- Typically 100 to 300 ft, line of sight; for longer range consult factory
- Low headroom top adapter
- Audible alarm
- Custom top and bottom interfaces

## Standard Features

- Multi-color LED display
- 12 volt rechargeable battery and universal 115/230 VAC, 50/60 Hz battery charger (NA plug standard)
- Hi-torque load train designed for use with powered rotation

## Part Number/Price

Part #	Description	Resolution	Est. Weight	Price
214371	10,000 lb (5000 kg) F/A	2.0 lb (1.0 kg)	62 lb	\$14,400.00
214370	30,000 lb (15,000 kg) F/A	10 lb (5.0 kg)	125 lb	\$14,400.00
214369	70,000 lb (35,000 kg) F/A	20 lb (10 kg)	270 lb	\$21,800.00
214477	100,000 lb (50,000 kg) F/A	20 lb (10 kg)	420 lb	Consult
214474	120,000 lb (60,000 kg) F/A	50 lb (20 kg)	550 lb	Consult
214479*	200,000 lb (100,000 kg) F/A	100 lb (50 kg)	1,100 lb	Consult

\* 400% Ultimate overload

## Options/Accessories

Part #	Description	Est. Weight	Price
144126	Top lifting shackle 9.5 ton for 10,000 lb cap unit	-	Consult
141992	Top lifting shackle Crosby® G2130 17 ton for 30,000 lb cap unit	-	Consult
146335	Top lifting shackle Crosby® G2140 40 ton for 70,000 lb cap unit	-	Consult
146336	Top lifting shackle Crosby® G2140 55 ton for 120,000 lb cap unit	-	Consult
150971	MSI RF modem option kit (used in MSI-4260, MSI-4260M, MSI-9600HT)	3 lb	\$250.00
173014	RF rugged remote control (requires MSI-9600HT equipped with RF modem)	-	\$355.00
153591	MSI-8000HD RF remote display AC powered (no A/D)	180 lb	\$1,541.00
178004	LaserLight2, 4 in (100 mm) six-digit RF scoreboard	21 lb	\$2,535.00
178006	LaserLight2, 6 in (150 mm) six-digit RF scoreboard	37 lb	\$3,005.00
159221	Universal crane scale transport cart	-	\$1,340.00
Consult	AC direct power supply	-	\$560.00
Consult	Anti-heat shield	-	\$1,125.00
Consult	Audible alarm	-	\$420.00
176956	MSI Wi-Fi modem option kit (used in MSI-4260, MSI-4260M, MSI-6360, MSI-9600HT)	-	\$490.00
<b>Accessories</b>			
150367	Battery assembly, 12V rechargeable	7 lb	\$145.00
138006	Universal 115/230 VAC, 50/60 Hz battery charger (NA plug standard)	4 lb	\$345.00
138007	Universal 115/230 VAC, 50/60 Hz battery charger (UK plug standard)	4 lb	\$345.00
138008	Universal 115/230 VAC, 50/60 Hz battery charger (EC plug standard)	4 lb	\$345.00

## Specifications

### Accuracy:

10,000 to 120,000 lb: ± (0.1% +1 d) of capacity  
200,000 lb: ± (0.2% +1 d) of capacity

### Resolution:

3,000 to 5,000 d standard  
(Up to 10,000 d available)

### Enclosure:

NEMA Type 4, IP66, marine grade 356 alloy anodized cast aluminum

### Lifting Eye, Shackle & Hook:

Shackle is optional and Crosby® fixed hook provided as standard

### Design Overload:

200% Safe / 500% Ultimate (except where noted)

### Functions:

Power: Turns unit on or off  
Zero: Zeros applied load up to 100% of capacity  
Tare: Tares applied load and displays weight in net  
Mode F1: Programmable as test, units, net/gross, total and peak hold

### Display:

1.5" (38 mm, 6-digit, programmable LED display, multi-color (red, orange, and green)

### Displayable Units:

Pounds or kilograms selectable

### Power:

12 Volt rechargeable battery, 115/230 VAC battery charger included

### Operating Time:

Up to 30 hours between charging with typical use

### Temperature Range:

Operating: 14 °F to 131 °F (-10 °C to 55 °C)

### Filtering:

OFF, LO, HI-1 or HI-2 selectable

### Radio Link:

802.15.4 at 2.4 GHz

### Radio Link Effective Range:

Typically 100 to 300 ft line of sight

### Warranty:

One-year limited



# MSI-6360 Trans-Weigh

Crane Scale



**NEW**

## Approvals



## Standard Features

- Top lifting eye or shackle, bottom thrust bearing swivel hook
- 12 volt rechargeable battery and universal 115/230 VAC, 50/60 Hz battery charger (NA plug standard)
- RF modem install for connectivity to MSI-8000, MSI-8000HD RF, MSI-8004HD RF remote display, TranSend™ and LaserLight2 remote display. Typically 100 ft – 300 ft, line of sight; for longer range consult factory.
- Meets or exceeds OSHA, ANSI, ASME and other safety design standards (5:1 Ultimate Safety Factor)

## Part Number/Price

Part #	Description	Resolution	Est. Weight	Price
215829	500 lb (250 kg) F/A	0.2 lb (0.1 kg)	53 lb	\$5,700.00
215830	2,000 lb (1000 kg) F/A	1.0 lb (0.5 kg)	53 lb	\$5,700.00
215831	5,000 lb (2500 kg) F/A	1.0 lb (0.5 kg)	62 lb	\$5,800.00
215832	10,000 lb (5000 kg) F/A	2.0 lb (1.0 kg)	62 lb	\$6,350.00
215833	20,000 lb (10,000 kg) F/A	5.0 lb (2.0 kg)	105 lb	\$7,350.00
215834	30,000 lb (15,000 kg) F/A	10 lb (5.0 kg)	125 lb	\$7,450.00
215835	50,000 lb (25,000 kg) F/A	10 lb (5.0 kg)	235 lb	\$14,850.00
215836	70,000 lb (35,000 kg) F/A	20 lb (10 kg)	270 lb	\$20,775.00
215837	100,000 lb (50,000 kg) F/A	20 lb (10 kg)	420 lb	\$31,500.00

## Options

(Contact MSI for application consultation)

- Anti-heat shielding for high-temperature applications
- Rugged Remote (control for on/off, zero, tare, and other functions)
- Substitute bottom swivel hook with shackle
- Oversized top lifting eye or shackle
- Oversized bottom hook
- Low headroom top adapter
- Universal direct power supply; 85 to 265 VAC, 47 to 440 Hz / 130 to 300 VDC
- Wi-Fi communication is available for specialty applications
- Custom top and bottom interfaces
- Crane scale cart

## Specifications

### Accuracy:

± (0.1% +1 d) of capacity

### Resolution:

3,000 to 5,000 d standard  
(Up to 10,000 d available)

### Enclosure:

NEMA Type 4, IP66, marine grade 356 alloy anodized cast aluminum

### Lifting Eye, Shackle & Hook:

Crosby® or equivalent with 360° thrust-bearing swivel hook

### Design Overload:

200% Safe / 500% Ultimate (except where noted)

### Functions:

On/Off

### Displayable Units:

Pounds or kilograms selectable

### Power:

12 Volt rechargeable battery, 115/230 VAC battery charger included

### Operating Time:

Up to 40 hours between charging with typical use

### Temperature Range:

Operating: -40 °F to 176 °F (-40 °C to 80 °C)  
Certified: 14 °F to 104 °F (-10 °C to 40 °C)

### Calibration:

Digital via MSI ScaleCore remote device

### Radio Link:

802.15.4 at 2.4 GHz

### Radio Link Effective Range:

Typically 100 to 300 ft line of sight

### Warranty:

One-year limited

### Approvals:

NTEP 19-122: 500 to 70,000 lb

OVERHEAD  
WEIGHING

# MSI-6360 Trans-Weigh

Crane Scale

## Options/Accessories

Part #	Description	Est. Weight	Price
144773	MSI RF Module, XBEE-PRO 802.15.4		\$136.50
139381	MSI-8000 Remote Display	5lb	\$1,415.00
173014	RF Rugged remote control	1 lb	\$355.00
153591	MSI-8000HD RF remote display AC powered ( no A/D)	4 lb	\$1,541.00
178281	MSI-8004HD AC, red/green 85~264 VAC, 47~440 Hz, 120~370 VDC	-	\$2,120.00
178004	4in LaserLight2 MSI RF	21 lb	\$2,535.00
178006	6in LaserLight2 MSI RF	37 lb	\$3,005.00
159221	Universal crane scale transport cart	180 lb	\$1,340.00
175308	MSI WiFi Modem 802.11 b/g		\$136.50
Consult	AC power supply	-	\$560.00
Consult	Anti-heat shield	-	\$1,125.00
Consult	Audible alarm	-	\$420.00
Consult	4260 retrofit kit	5 lb	Consult
<b>6360 Sub Hook with Shackle</b>			
Consult	500 to 10,000 lb, 6.5 ton shackle	-	Consult
Consult	20,000 to 30,000 lb, 17 ton shackle	-	Consult
Consult	50,000 lb, 25 ton shackle	-	Consult
Consult	70,000 lb, 40 ton shackle	-	Consult
Consult	100,000 lb, 55 ton shackle	-	Consult
<b>6360 Oversize Lifting Eye/Shackle</b>			
Consult	500 to 10,000 lb capacity	-	Consult
Consult	20,000 to 30,000 lb capacity, adapter with 25 ton shackle	-	Consult
Consult	50,000 to 70,000 lb capacity	-	Consult
Consult	100,000 lb capacity	-	Consult
<b>Accessories</b>			
150367	Battery assembly, 12 volt rechargeable	6.6 lb	\$145.00
138006	Universal 115/230 VAC, 50/60 Hz battery charger (NA plug standard)	4 lb	\$345.00
138007	Universal 115/230 VAC, 50/60 Hz battery charger (UK plug standard)	4 lb	\$345.00
138008	Universal 115/230 VAC, 50/60 Hz battery charger (EC plug standard)	4 lb	\$345.00

OVERHEAD  
WEIGHING

# RL101 Scale

Compact Digital Below-the-Hook Scale



## Specifications

**Accuracy:**

+/- 0.03% of Capacity

**Resolution:**

3,000d standard

**Enclosure:**

IP54, oven-fired painted steel

**Shackles:**

Forged, Alloy Steel (6:1 safety factor)

**Design Overload:**

150% Safe / 500% Ultimate

**Functions:**

5-Key - Zero, Tare, Mode, Print, On/OFF

**Display:**

1 in (25 mm) backlight, LCD

**Displayable Units:**

Pounds and kilograms, selectable

**Annunciators:**

CO2, Net, Gross, Low Batt, lb/kg/t, Motion, Active Weight Range, Tare

**Power:**

4 "AA" Batteries (supplied)

**Operating Time:**

Up to 40 hours, standard configuration

**Temperature Range:**

Operating: 14 °F to 104 °F (-10 °C to 40 °C)

**Auto-Off Mode:**

Off, 1-minute intervals (programmable)

**Filtering:**

Various:

Overhead Weighing-dYn.0, dYn.1, dYn.2, dYn.3

**Warranty:**

One-year limited

## Standard Features

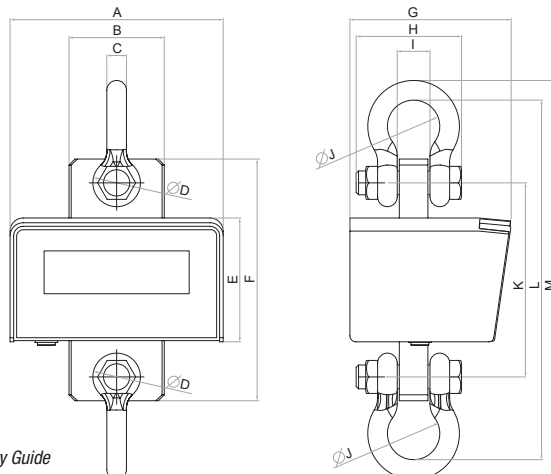
- Low headroom (14.5 in - 16.65 in)
- Infrared remote control (up to 25 ft)
- Carrying case
- Single and multi-point calibration
- Upper and lower shackles

## Part Number/Price

Part #	Description	Resolution	Est. Weight	Price
219144	3k Capacity (0-600 lbs / 601-1,500 lbs / 1,501-3,000 lbs)	0.2 / 0.5 / 1 lb	25 lb	\$1,750.00
219145	6k Capacity (0-1,500 lbs / 1,501-3,000 lbs / 3,002-6,000 lbs)	0.5 / 1 / 2 lb	32 lb	\$1,950.00
219147	12k Capacity (0-3,000 lbs / 3,002-6,000 lbs / 6,005-12,000 lbs)	1 / 2 / 5 lb	32 lb	\$2,100.00

## Dimensions

RL101 3k / 6K & 12k			
A	7.09 in (180 mm)	H	3.48 in (88.5 mm) / 4.76 in (121 mm)
B	3.15 in (80 mm)	I	3.48 in (88.5 mm) / 4.76 in (121 mm)
C	0.63 in (16 mm) / 0.87 in (22 mm)	J	1.69 in (43 mm) / 2.28 in (58 mm)
D	1.58 in (40) / 2.17 in (55 mm)	K	7.72 in (196 mm) / 7.32 in (186 mm)
E	4.09 in (104 mm)	L	13.19 in (335 mm) / 14.92 in (379 mm)
F	9.69 in (246 mm)	M	14.49 in (368 mm) / 16.65 in (423 mm)
G	5.35 in (136 mm)		



\*Please review the Overhead Weighing Safety Guide

# Crane Scale Cart

Universal Transport and Storage Cart



## Standard Features

- Designed to hold MSI-4260, MSI-4260IS, MSI-4260M, MSI-4300, MSI-9600HT, MSI-6360
- Four swivel casters with brake
- Powder coated mild steel

## Specifications

**Warranty:**

One-year limited

## Part Number/Price

Part #	Description	Est. Weight	Price
<b>159221</b>	Universal MSI Crane Scale Cart	180 lb	\$1,340.00
<b>Consult</b>	Modified versions of universal MSI Crane Scale Cart	-	Consult

OVERHEAD  
WEIGHING

# MSI-7300 Dyna-Link 2

Digital Tension Dynamometer



Shown with optional shackles

## Part Number/Price

Part #	Description	Resolution	Est. Weight	Price
139162	1,000 lb (500 kg) F/A	0.5 lb (0.2 kg)	8 lb	\$1,610.00
139163	2,500 lb (1,250 kg) F/A	1 lb (0.5 kg)	9 lb	\$1,610.00
139164	5,000 lb (2,500 kg) F/A	2 lb (1.0 kg)	9 lb	\$1,610.00
139165	10,000 lb (5,000 kg) F/A	5 lb (2.0 kg)	11 lb	\$1,730.00
139166	25,000 lb (12,500 kg) F/A	10 lb (5 kg)	19 lb	\$2,310.00
139167	50,000 lb (25,000 kg) F/A	20 lb (10 kg)	29 lb	\$3,000.00
139168*	100,000 lb (50,000 kg) F/A	50 lb (20 kg)	65 lb	\$3,910.00
<b>Optional Configurations (for connectivity to MSI-8000 RF Remote Display) F/A</b>				
139441	1,000 lb (500 kg) RF module	0.5 lb (0.2 kg)	8 lb	\$1,810.00
139442	2,500 lb (1,250 kg) RF module	1 lb (0.5 kg)	9 lb	\$1,810.00
139443	5,000 lb (2,500 kg) RF module	2 lb (1 kg)	9 lb	\$1,810.00
139444	10,000 lb (5,000 kg) RF module	5 lb (2 kg)	11 lb	\$1,930.00
139445	25,000 lb (12,500 kg) RF module	10 lb (5 kg)	19 lb	\$2,500.00
139446	50,000 lb (25,000 kg) RF module	20 lb (10 kg)	29 lb	\$3,190.00
139447*	100,000 lb (50,000 kg) RF module	50 lb (20 kg)	65 lb	\$4,110.00
159168*	120,000 lb (60,000 kg) RF module includes MSI-8000	50 lb (20 kg)	57 lb	Consult
159169*	180,000 lb (90,000 kg) RF module includes MSI-8000	100 lb (50 kg)	74 lb	Consult
159170*	260,000 lb (130,000 kg) RF module includes MSI-8000	100 lb (50 kg)	100 lb	Consult
159171*	380,000 lb (190,000 kg) RF module includes MSI-8000	200 lb (100 kg)	169 lb	Consult
159172**	550,000 lb (275,000 kg) RF module includes MSI-8000	200 lb (100 kg)	336 lb	Consult
<b>MSI-7300 Dyna-Link 2 Wi-Fi</b>				
176813	1,000 lb (500 kg) F/A with Wi-Fi	0.5 lb (0.2 kg)	8 lb	\$1,750.00
176814	2,500 lb (1,250 kg) F/A with Wi-Fi	1 lb (0.5 kg)	9 lb	\$1,840.00
176815	5,000 lb (2,500 kg) F/A with Wi-Fi	2 lb (1.0 kg)	9 lb	\$1,840.00
176816	10,000 lb (5,000 kg) F/A with Wi-Fi	5 lb (2.0 kg)	11 lb	\$1,970.00
176817	25,000 lb (12,500 kg) F/A with Wi-Fi	10 lb (5 kg)	19 lb	\$2,550.00
176818	50,000 lb (25,000 kg) F/A with Wi-Fi	20 lb (10 kg)	29 lb	\$3,340.00
176819	100,000 lb (50,000 kg) F/A with Wi-Fi	50 lb (20 kg)	65 lb	\$4,200.00
176827	120,000 lb (60,000 kg) F/A with Wi-Fi	50 lb (20 kg)	57 lb	Consult
176828	180,000 lb (90,000 kg) F/A with Wi-Fi	100 lb (50 kg)	74 lb	Consult
176829	260,000 lb (130,000 kg) F/A with Wi-Fi	100 lb (50 kg)	100 lb	Consult
176830	380,000 lb (190,000 kg) F/A with Wi-Fi	200 lb (100 kg)	169 lb	Consult
176831	550,000 lb (275,000 kg) F/A with Wi-Fi	200 lb (100 kg)	336 lb	Consult

\* 500% Ultimate overload

\*\* 440% Ultimate overload

## Standard Features

- LCD display
- Two C-cell alkaline batteries for capacities up to 10,000 lb (5,000 kg)
- Two D-cell alkaline batteries for capacities 25,000 lb (12,500 kg) and above

## Options

(Contact MSI for application consultation)

- Crosby® top and bottom shackles
- Portable transport case
- Serial output cable
- Rugged Remote (control for On/Off, Zero, Tare and other functions)
- RF modem install for connectivity to MSI-8000, MSI-8000HD RF, MSI-8004HD RF remote display and TranSend™. Typically 100 to 300 ft, line of sight, for longer range consult factory.
- Audible alarm
- Wi-Fi communication is available for specialty applications

## Specifications

### Accuracy:

0.1% FS of rated capacity (up to 100,000 lb)  
0.5% FS of rated capacity (120,000 and above)

### Enclosure:

NEMA Type 4, IP65, anodized corrosion-resistant finish

### Material:

2024 aircraft grade aluminum  
Capacities above 100 K have zinc plated enclosures and 4340 load cell bodies

### Design Overload:

200% Safe/700% Ultimate\* (except where noted)

### Functions:

On/Off, Zero, Hi-Speed Peak Hold, Setpoints, Total, Tare, Auto-Off, Motion Filter

### Display:

5- digit, 1.22" (31 mm) tall, LCD - 50,000 lb & lower  
6-digit, 1" (25 mm) tall, LCD - 100,000 lb & higher

### Displayable Units:

Pounds, kilograms, kilonewtons, tons, metric tons

### LED Annunciators:

Function 1, Function 2, Setpoint 1, Setpoint 2

### LCD Annunciators:

Net, Center of Zero, Stable, Battery Test, Peak Hold, Total

### Power:

Two each C-cell alkaline batteries for capacities up to 10,000 lb; two each D-cell alkaline batteries for capacities 25,000 to 100,000 lb

### Operating Time:

From 150 to 300 hours in typical use depending on unit capacity and battery configuration.  
Approximately 25 to 30 hours with optional RF modem link installed.

### Operating Temperature:

-4 °F to 140 °F (-20 °C to 60 °C)

### Filtering:

OFF, LO, HI selectable

### Data Output:

Serial RS-232

### Warranty:

Two-year limited

OVERHEAD  
WEIGHING

# MSI-7300 Dyna-Link 2

Digital Tension Dynamometer

## Options/Accessories

Part #	Description	Est. Weight	Price
151357*	Shackle anchor, bolt type 3.25 ton for 500 lb-5,000 lb unit	1.5 lb	Consult
151355*	Shackle anchor, bolt type 6.5 ton for 10,000 lb unit	3 lb	Consult
141992*	Shackle anchor, bolt type 17 ton for 25,000 lb unit	19.5 lb	Consult
151356*	Shackle anchor, bolt type 25 ton for 50,000 lb unit	31.5 lb	Consult
146336*	Shackle anchor, bolt type 55 ton for 100,000 lb unit	51.5 lb	Consult
151359*	Shackle anchor, bolt type 85 ton for 180,000 lb unit	103 lb	Consult
151360*	Shackle anchor, bolt type 120 ton for 260,000 lb unit	112.5 lb	Consult
151361*	Shackle anchor, bolt type 175 ton for 380,000 lb unit	332.5 lb	Consult
151358*	Shackle anchor, bolt type 250 ton for 550,000 lb unit	650lb	Consult
139381	MSI-8000 RF remote display (requires MSI-7300 equipped with optional RF modem)	5 lb	\$1,415.00
153591	MSI-8000HD RF remote display, A/C powered with tilt stand (requires MSI-7300 equipped with optional RF modem)	5 lb	\$1,541.00
165313	Heavy duty Pelican transport case with precision cut. Heavy duty foam for units up to 10,000 lb capacity	10 lb	\$385.00
145076	Transport crate for 25,000 lb and 50,000 lb capacity unit	35 lb	\$460.00
145073	Transport crate for 100,000 lb capacity unit	42 lb	Consult
139470	RS-232 serial cable for MSI-7300	1 lb	\$165.00
178004	LaserLight2, 4 in (100 mm) six-digit RF scoreboard (requires MSI-7300 equipped with optional RF modem)	21 lb	\$2,535.00
178006	LaserLight2, 6 in (150 mm) six-digit RF scoreboard (requires MSI-7300 equipped with optional RF modem)	37 lb	\$3,005.00
149549	Universal 115/ 230 VAC 50/60 Hz (NA plug standard) battery charger for MSI-8000 remote display	3 lb	\$165.00
173014	Rugged remote control (requires MSI-7300 equipped with optional RF modem)	1 lb	\$355.00
150964	RS-232 13 ft (4 m) serial cable for MSI-8000	1 lb	\$200.00
139438	Audible setpoint (not available with MSI-7300RF or MSI-7300WiFi)	-	\$440.00
149550	Battery charger for MSI-8000 EC plug	-	\$160.00

\* 2 shackles will be needed per 7300



# MSI Dyna-Clamp

Tension Meter



## Approvals



## Part Number/Price

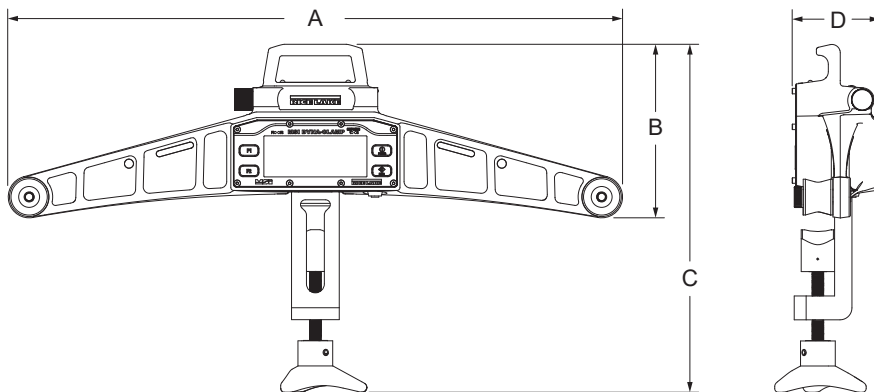
Part #	Description	Tension	Est. Weight	Price
189581	MSI Dyna-Clamp tension meter	12,500 lbf (5,670 kgf / 55.60 kN)	15 lb	\$4,860.00

## Options/Accessories

Part #	Description	Price
198418	Heavy-duty carrying case	\$640.00

## Dimensions

MSI Dyna-Clamp			
A	25.70 in (652.80 mm)	C	13.75 in-15.50 in (349.25 mm-393.70 mm)
B	7.30 in (185.50 mm)	D	3.70 in (94 mm)



## Standard Features

- Dual line LCD display
- Two user-programmable function keys
- IP65 anodized aluminum frame
- RS-232 port
- Up to 8 factory calibrations included at no additional cost

## Options

(Contact MSI for application consultation)

- Heavy-duty carrying case

## Specifications

### Power:

Battery operated two AA cells 1.5 V alkaline batteries (can be replaced with rechargeable NiMH cells)

### Max Tension:

12,500 lbf (5,670 kgf/55.60 kN)

### Operating Time:

Alkaline AA-cells: 24 hours

### Wire Rope:

Diameter 3/16 in (5 mm) to 1 in (25 mm)

### Accuracy:

±3% of capacity

### Units:

lbf, kgf, kN

### Resolution:

Standard: 2,500 divisions

### Display:

Primary display (bottom) six, 0.7 in (18 mm) numeric digits  
Secondary display (top) eight, 0.5 in (13 mm) numeric digits

### Function Keys:

Two programmable keys (user-defined) – F1, F2 (test, unit, print, scroll, actfun)  
Two permanent keys – power, zero

### Setpoints:

Two dedicated setpoints for minimum and maximum allowable wire rope tension (LEDs for measurements outside of allowable range)

### Auto-Off Mode:

Prolongs battery life by turning power OFF after 15, 30, 45 or 60 minutes of no activity (user determined)

### Enclosure:

IP65 powder-coated aluminum frame

### Calibration:

Up to eight factory programmed wire rope calibrations

### Operating Temperature:

-4 °F to 122 °F (-20 °C to 50 °C)

### Operator Use:

Outdoor

### Storage:

Indoor

### Warranty:

Two-year limited

### Approvals:

CE Marked  
UKCA

OVERHEAD  
WEIGHING

# MSI Clamp-On

Load Cell



## Part Number/Price

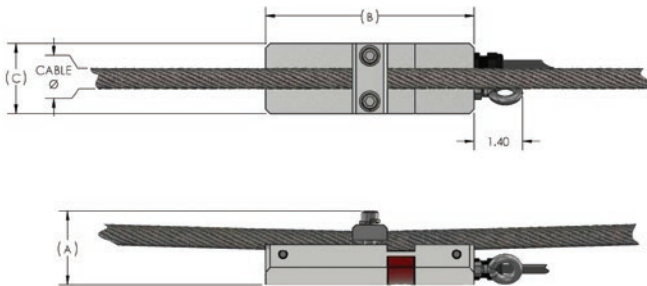
Part #	Description	Price
179080	Load cell assembly Clamp-On for 3/8 to 1/2 in wire rope	\$750.00
179082	Load cell assembly Clamp-On for 9/16 to 3/4 in wire rope	\$890.00
188816	Kit with SCT-2200 for 3/8 to 1/2 in wire rope	\$1,330.00
188817	Kit with SCT-2200 for 9/16 to 3/4 in wire rope	\$1,470.00

Larger diameter clamp ons available - call for pricing

## Dimensions

Cable Range	P/N	A	B	C
3/8 - 1/2	179080	Cable + 1.70	6.00	2.00
9/16-3/4	179082	Cable + 1.67	6.00	2.00

\*8mm cable can be used with PN 179080



## Standard Features

- A durable solution for measuring wire rope tension and preventing overloads for cranes and hoists. Available in two envelopes for accommodating the most common wire ropes. Weight-based setpoints can provide the operator alerts and safety shut-offs based on unsafe load conditions.

## Options

(Contact MSI for application consultation)

- Custom sizes available on request
- Pair with an SCT transmitter for basic safety functions

## Specifications

**System Accuracy of Calibrated Capacity:**  
3 to 5%

**Material:**  
4340 steel, zinc plated

**Output Resistance:**  
350 ohm

**IP Rating:**  
IP68

**Cable Color Code:**  
Red +Excitation  
Black -Excitation  
Green +Signal  
White -Signal

**Cable Length:**  
20 ft integral cable with blunt end termination



Optional SCT-2200 transmitter

OVERHEAD  
WEIGHING



## Standard Features

- Designed and manufactured to each integrated solution. Machined from 17-4 stainless steel for safety, strength and corrosion resistance.
- (Contact MSI for application consultation)

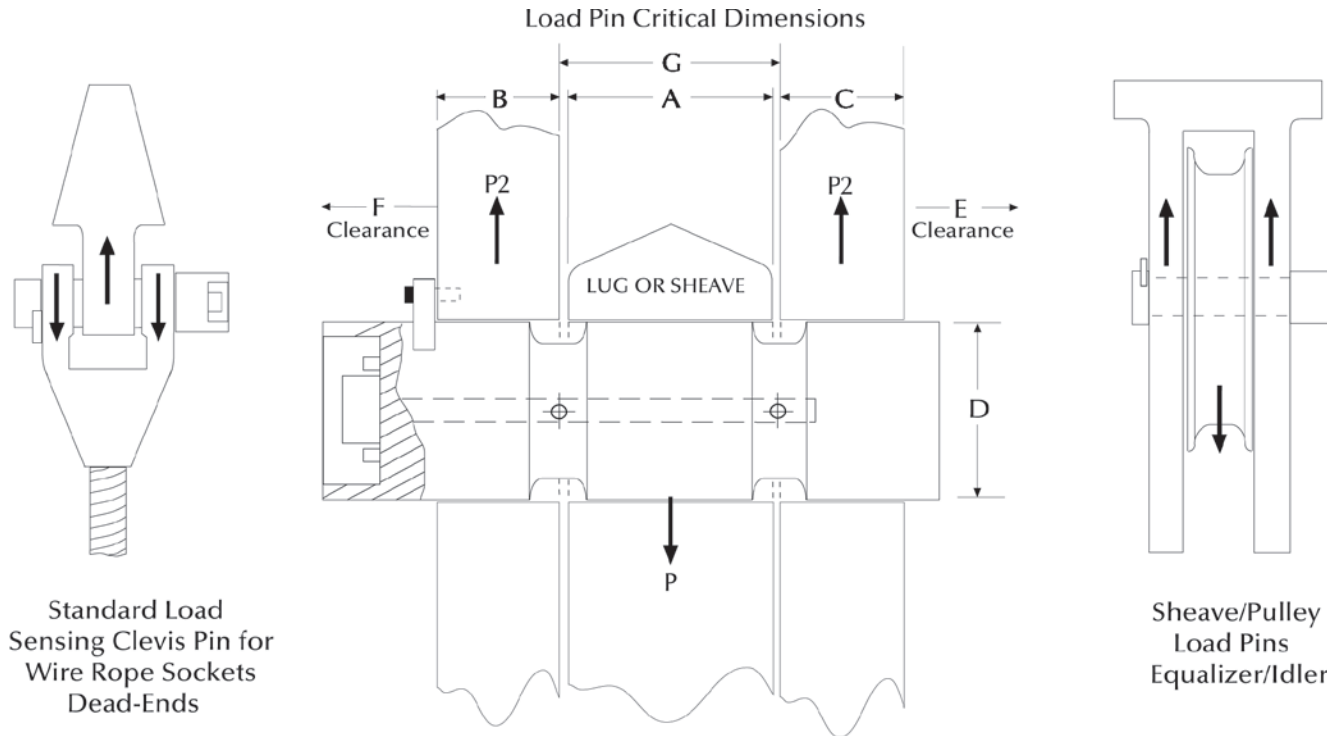
For most overhead weighing applications, traditional scales are an ideal solution. However, applications with limited to no headroom require specialty equipment beyond even reduced-height or low-profile crane scales.

One such solution is an MSI load pin sensor. A load pin sensor is a type of load cell that directly replaces clevis, pivot, normal shaft or equalizer pins. Load pin sensors are designed to be permanently installed, so they can continuously monitor vertical or horizontal tension. An integrated load pin provides load monitoring and overload protection without impacting headroom to promote safety and to prevent costly equipment damage.

Rice Lake's industry leading engineers design and manufacture custom load pin sensors for any application. Every load pin is constructed from stainless steel for safety, strength (minimum 5:1) and corrosion resistance.

To receive a quote for a load pin sensor, complete the load pin questionnaire on page 808 or online at [www.ricelake.com/questionnaires](http://www.ricelake.com/questionnaires). For further assistance, contact an MSI overhead weighing specialist.

# MSI Load Pin Questionnaire



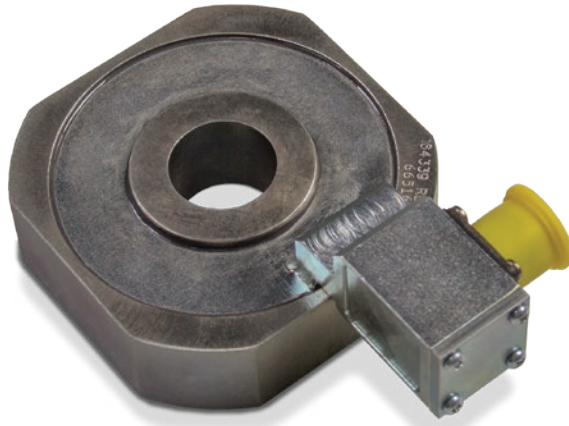
Load Pin Data	
A=Width _____	Inch
B=Width _____	Inch
C=Width _____	Inch
D=Pin Diameter _____	Inch
E=Clearance _____	Inch
F=Clearance _____	Inch
G=Width _____	Inch
Lube Port <input type="checkbox"/> No <input type="checkbox"/> Yes _____	# of exits
Hoist Capacity _____	Tons
Parts of Wire Rope _____	
Sensor Capacity _____	Tons
Factor of Safety <input type="checkbox"/> 3:1 <input type="checkbox"/> 5:1 <input type="checkbox"/> 7:1 <input type="checkbox"/> 10:1	
Application _____	
Accuracy Requirement _____	
Temperature Requirement _____	
Required Output _____	
Material Testing Requirement _____	
Load Vector Orientation/Alignment <input type="checkbox"/> ← <input type="checkbox"/> → <input type="checkbox"/> ↓ <input type="checkbox"/> ↑	
Name _____	
Company _____	
Phone _____	
Note: Minimum clearance between "A" and "G" = 0.0625 inch.	

Cable Connections	
End-Mounted Cable	
End-Mounted Connector (standard)	
Side-Mounted Cable	
Side-Mounted Connector	
Recessed Connector	
Sensor's Cable Length _____	Feet
Comments _____	



230 W. Coleman St. • Rice Lake, WI 54868 • USA  
 TEL: 800-874-4320 • FAX: 206-244-8470 • [www.ricelake.com/msi](http://www.ricelake.com/msi)

An ISO 9001 registered company © 2019 Rice Lake Weighing Systems PN 154086 1/19  
 Specifications subject to change without notice.



## Standard Features

- Designed to be placed above the trunnion of a load block, this integrated low-profile load cell eliminates headroom loss
- Off-axis compensation

(Contact MSI for application consultation)

## Specifications

### Accuracy (Static Load):

0.5 to 1% system accuracy of rated capacity

### Material:

4340 alloy steel, zinc plated

### IP Rating:

IP67

### Resistance:

700 ohm

## Part Number/Price

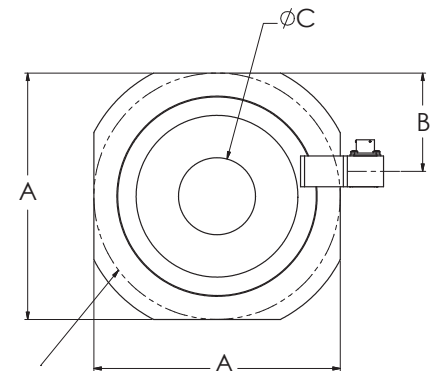
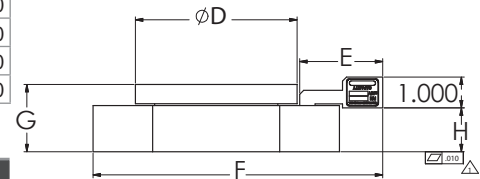
Part #	Description	Est. Weight	Price
160651	10,000 lb/5,000 kg capacity	5 lb	Consult
163595	20,000 lb/10,000 kg capacity	10 lb	Consult
163596	40,000 lb/20,000 kg capacity	20 lb	Consult
163829	60,000 lb/30,000 kg capacity	30 lb	Consult
163597	80,000 lb/40,000 kg capacity	34 lb	Consult
163598	100,000 lb/50,000 kg capacity	38 lb	Consult
159550	120,000 lb/60,000 kg capacity	60 lb	Consult
163599	160,000 lb/80,000 kg capacity	105 lb	Consult
163600	200,000 lb/100,000 kg capacity	215 lb	Consult

## Options/Accessories

Part #	Description	Price
165978	Load cell to MSI-7001 interface cable, 6.5 ft	\$330.00
165979	Load cell to MSI-7001 interface cable, 10 ft	\$350.00
165980	Load cell to MSI-7001 interface cable, 16 ft	\$380.00
165989	Load cell to MSI-7001 interface cable, 20 ft	\$410.00
165990	Load cell to MSI-7001 interface cable, 25 ft	\$440.00
165991	Load cell to MSI-7001 interface cable, 32 ft	\$510.00

## Dimensions

Part #	Capacity	A	B	C (+0.005-0.000)	D	E	F	G	H	Required Hook Shank Diameter (+0.000,-0.005)
160651	10,000 lb	3.500	1.350	1.005	2.450	1.880	4.905	1.500	1.000	1.000
163595	20,000 lb	6.000	2.500	1.505	3.500	2.443	7.405	1.750	1.250	1.500
163596	40,000 lb	7.500	3.150	2.005	5.000	2.580	8.905	2.000	1.375	2.000
163829	60,000 lb	8.000	3.190	2.505	5.250	2.695	9.405	2.188	1.500	2.500
163597	80,000 lb	8.500	3.650	3.505	5.750	2.680	9.905	2.313	1.500	3.500
163598	100,000 lb	9.125	3.873	4.005	7.000	2.382	10.530	2.668	1.875	4.000
159550	120,000 lb	9.125	3.873	4.005	7.000	2.382	10.530	2.813	2.000	4.000
163599	160,000 lb	16.000	7.030	6.005	14.500	2.955	17.405	4.625	2.500	6.000
163600	200,000 lb	16.000	7.030	6.005	14.500	2.955	17.405	5.125	3.000	6.000



SHOWN AS REFERENCE FOR ROUND LOAD CELLS

OVERHEAD WEIGHING

# MSI Tension Link

Load Cell



## Standard Features

- Integrates between a crane block and lifting equipment to provide force measurement for lifted items. This ideal integration for cranes features a 7:1 safety factor for compliance with industrial and military safety requirements.

## Options

(Contact MSI for application consultation)

- Crosby® top and bottom shackles

## Specifications

### Input Resistance:

1,500 ohm

### Output Resistance:

2,000 ohm

### Full Scale Output:

0.8 mV/V

### Connector Pin Out:

- A: EX +
- B: Sig +
- C: Sig -
- D: EX -

### Accuracy:

0.1% sensor accuracy

### Material:

4340 steel

## Part Number/Price

Part #	Description	Price
181907	2K 7200 style load cell only	Consult
181908	5K 7200 style load cell only	Consult
181909	10K 7200 style load cell only	Consult
178093	25K 7200 style load cell only	Consult
178094	50K 7200 style load cell only	Consult
181910	100K 7200 style load cell only	Consult

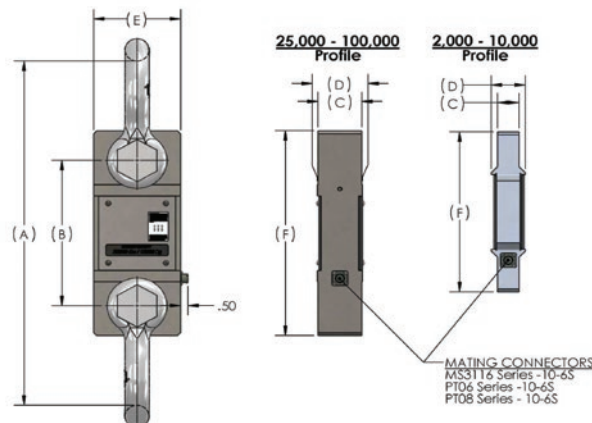
Contact factory for higher capacities

## Options/Accessories

Part #	Description	Price
165978	Load cell to MSI-7001 interface cable, 6.5 ft	\$330.00
165979	Load cell to MSI-7001 interface cable, 10 ft	\$350.00
165990	Load cell to MSI-7001 interface cable, 25 ft	\$440.00
134505	Load cell mating cable to bare wires, 10 ft	\$185.00

## Dimensions

Capacity (lbs)	P/N	Load Cell Material	(A) Headroom Loss	(B) C-C Length	(C) Lug Thk	(D) Body Thk	(E) Body Width	(F) Body Length	Lug Hole	Crosby Shackle
2,000	181907	Aluminum	13.50 in	8.00 in	0.99 in	2.13 in	4.50 in	9.75 in	0.78 in	3-1/4 T 151357
5,000	181908	Aluminum	13.50 in	8.00 in	0.99 in	2.13 in	4.50 in	9.75 in	0.78 in	3-1/7 T 151357
10,000	181909	Aluminum	16.13 in	8.50 in	1.35 in	2.13 in	5.37 in	10.75 in	1.05 in	6-1/2 T 151355
25,000	178093	Steel	22.39 in	9.26 in	2.24 in	2.24 in	4.80 in	12.76 in	1.67 in	17 T 141992
50,000	178094	Steel	25.74 in	9.76 in	2.74 in	2.81 in	5.43 in	13.76 in	2.05 in	25 T 151356
100,000	181910	Steel	28.49 in	10.74 in	3.09 in	3.09 in	6.86 in	15.74 in	2.30 in	55 T 146336



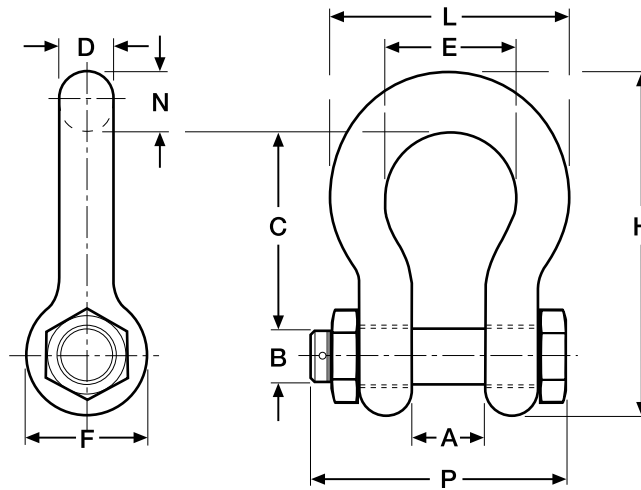
OVERHEAD WEIGHING



# Shackle Dimensions

## Part Number/Price

Part #	W.L.L. Tons	Size	A	B	C	D	E	F	H	L	N	P	Weight	Price
151357	3 1/4	0.63 in	1.06 in	.75 in	2.38 in	0.63 in	1.69 in	1.56 in	4.22 in	2.94 in	0.69 in	N/A	1.58 lb	Consult
151355	6 1/2	0.88 in	1.44 in	1.00 in	3.31 in	0.88 in	2.28 in	2.13 in	5.75 in	4.03 in	0.97 in	5.00 in	3.95 lb	Consult
141992	17	1.50 in	2.38 in	1.63 in	5.75 in	1.50 in	3.88 in	3.63 in	9.88 in	6.88 in	1.62 in	8.25 in	19.50 lb	Consult
151356	25	1.75 in	2.88 in	2.00 in	7.00 in	1.75 in	5.00 in	4.32 in	11.88 in	8.50 in	2.12 in	9.59 in	31.30 lb	Consult
146334	30	1.50 in	2.38 in	1.63 in	5.75 in	1.50 in	3.88 in	3.63 in	9.88 in	6.88 in	1.62 in	8.25 in	20.80 lb	Consult
146335	40	1.75 in	2.88 in	2.00 in	7.00 in	1.75 in	5.00 in	4.32 in	11.88 in	8.50 in	2.12 in	9.59 in	33.91 lb	Consult
146336	55	2.00 in	3.25 in	2.25 in	7.75 in	2.00 in	5.75 in	5.00 in	13.38 in	9.75 in	2.00 in	11.00 in	51.75 lb	Consult
151359	85	2.5 in	4.12 in	2.75 in	10.50 in	2.72 in	7.25 in	5.69 in	17.84 in	12.87 in	3.12 in	13.58 in	96.00 lb	Consult
151360	120	3.00 in	5.00 in	3.25 in	13.00 in	3.00 in	7.88 in	6.50 in	21.50 in	14.50 in	3.63 in	16.50 in	178.00 lb	Consult
83455	120	3 in	5.00 in	3.25 in	13.00 in	3.11 in	7.88 in	6.50 in	21.50 in	14.36 in	3.63 in	15.13 in	178.00 lb	Consult
151361	175	4.00 in	5.50 in	4.25 in	14.50 in	4.00 in	10.00 in	9.00 in	25.69 in	18.38 in	4.56 in	19.75 in	338.00 lb	Consult
151358	250	4 in	8.50 in	5.00 in	20.00 in	4.50 in	13.00 in	12.00 in	35.00 in	24.50 in	6.50 in	22.68 in	600.00 lb	Consult
<b>Oversized Shackles</b>														
148497	40	1.75 in	2.88 in	2.00 in	10.00 in	2.25 in	6.00 in	4.32 in	15.35 in	10.50 in	2.25 in	9.00 in	45.00 lb	Consult
148393	40	2.25 in	2.88 in	2.00 in	12.50 in	2.25 in	8.00 in	4.32 in	17.85 in	12.50 in	2.25 in	10.00 in	90.00 lb	Consult
148394	50	2.00 in	3.25 in	2.25 in	12.25 in	2.50 in	8.00 in	5.00 in	18.50 in	13.00 in	2.50 in	11.00 in	72.00 lb	Consult
<b>Shims</b>														
146534	(For use with 50,000 ton/70,000 ton systems)													Consult



OVERHEAD  
WEIGHING

# MSI-8000

RF Remote Display



## Part Number/Price

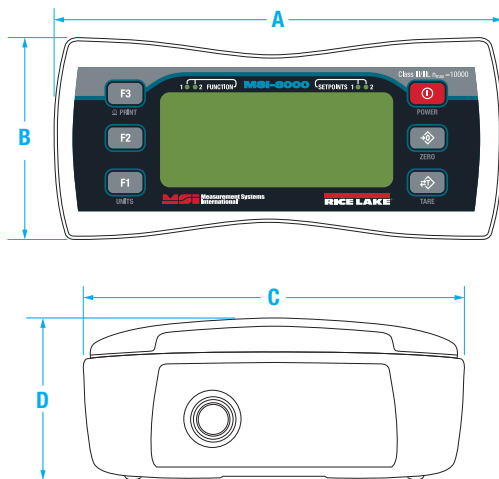
Part #	Description	Est. Weight	Price
139381	MSI-8000 RF remote display	5 lb	\$1,415.00

## Options/Accessories

Part #	Description	Est. Weight	Price
149549	Universal 115/230 VAC 50/60 Hz (NA plug standard) battery charger for MSI-8000 RF remote display	3 lb	\$165.00
149550	Universal 115/230 VAC 50/60 Hz (EC plug standard) battery charger for MSI 8000 RF remote display	1 lb	\$160.00
150964	DB9 female serial interface cable for MSI-8000 RF remote display	1 lb	\$200.00
151095	Audible alarm	—	\$315.00

## Dimensions

MSI-8000			
A	8.00 in (203 mm)	C	3.85 in (98 mm)
B	3.85 in (98 mm)	D	1.37 in (35 mm)



## Standard Features

- Compatible with all ScaleCore™ based products including: MSI-7300 Dyna-Link 2, MSI-3460 Challenger 3, MSI-4260 Port-A-Weigh, MSI-7000 and MSI-7001 TranSend™, MSI-9600HT and MSI-6360
- LCD display
- Membrane keypad for remote control functionality
- User-definable function keys for added versatility
- Universal 115/230 VAC, 50/60 Hz battery charger (NA plug standard)

(Contact MSI for application consultation)

## Specifications

### Enclosure:

NEMA Type 4, IP65

### Weight:

0.98 lb (445 g)

### Keypad:

On/Off, Zero (100%), Tare, Print and two user-defined keys for the following functions: peak hold, high resolution, total, view total, net/gross, units switching

### Display:

Six-digit 1.0 in (26.4 mm) LCD screen

### Units Displayed:

Pounds, kilograms, tons, metric tons, kilonewtons

### Annunciators:

Stable, COZ, low battery, peak, net, kg, kN, lb, M, ton, setpoint, function LEDs

### Power:

Integral lithium-ion battery  
Universal 115/230 VAC, 50/60 Hz battery charger (NA plug included)

### Operating Time:

Up to 24 hours of continuous use (15 minute auto-shutoff with non-use)

### Operating Temperature:

-4 °F to 140 °F (-20 °C to 60 °C)

### RF Radio Link:

2.4 GHz 802.15.4  
Communicates with RF 3460, 4260, 7300, 7000 & 7001

### RF Effective Range:

Typically 100 to 300 ft, line of sight; for longer range consult factory

### Connector:

Four-pin Turck connector for charging and RS-232 communication

### Warranty:

One-year limited

OVERHEAD  
WEIGHING

# MSI-8000HD

Indicator/Remote Display



## Approvals



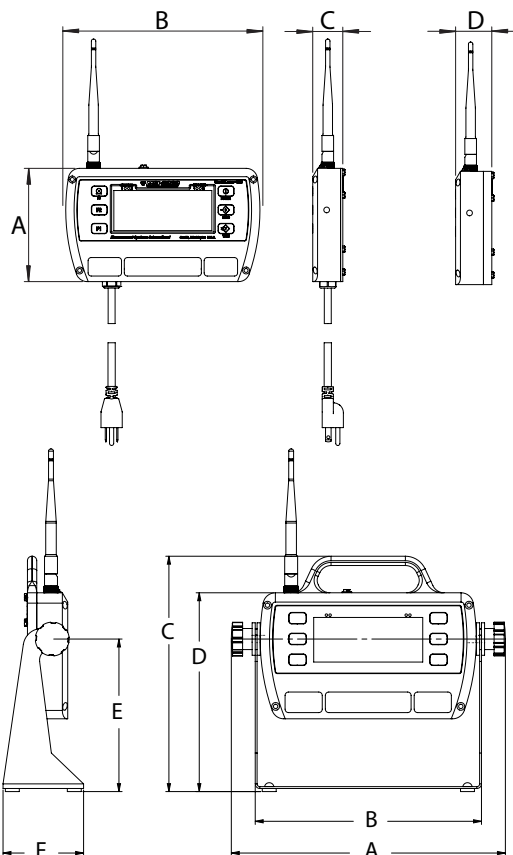
## Standard Features

- Compatible with all ScaleCore™-based products including: MSI-7300 Dyna-Link 2, MSI-3460 Challenger 3, MSI-4260 Port-A-Weigh, MSI-7000 and MSI-7001 TranSend™, MSI-9600HT and MSI-6360
- LCD display
- IP68 milled aluminum enclosure
- Time and date
- Membrane keypad for remote-control functionality
- User-definable function keys for added versatility
- Swivel tilt stand

## Dimensions

MSI-8000HD	
A	5.09 in (129 mm)
B	8.98 in (228 mm)
C	1.35 in (34 mm)
D	1.63 in (41 mm)

With Tilt Stand	
A	11.06 in (281 mm)
B	9.13 in (232 mm)
C	9.50 in (241 mm)
D	8.02 in (204 mm)
E	6.16 in (156 mm)
F	3.25 in (83 mm)



## Options

(Contact MSI for application consultation)

- Up to 8 configurable relay outputs
- Wi-Fi communications
- 802.15.4 Serial RF
- FHSS
- Wired Ethernet

## Specifications

### Power:

90-267 VAC, 9-36 VDC, 18-72 VDC, 120-300 VDC  
Optional battery power module available

### Excitation Voltage:

4.8V current limited and over-voltage protected

### RF Remote Channels:

Up to four remote sensors, monitored individually, in pairs or sum all (non-A/D version only)

### Service Counters:

A/D version only

### A/D Inputs:

Two independent or summing load cell inputs

### Filtering:

Off, Low, Hi-1, Hi-2

### RF Radio Link:

2.4 GHz 802.15.4

Compatible with all ScaleCore™ based products including:

MSI-7300 Dyna-Link 2,  
MSI-3460 Challenger 3,  
MSI-4260 Port-A-Weigh, MSI-7000 and MSI-7001

### RF Effective Range:

Typically 100 to 300 ft, line of sight;  
for longer range consult factory

### Communication Ports:

Dual RS-232 communication ports

### Optional Communications:

Wi-Fi

Serial RF (Single Sequence or FHSS)

### Annunciators:

Stable, COZ, peak, kg, kN, lb, M, ton, setpoint,  
function LEDs

Channels: 1, 2, 3, 4, TTL

### Display:

Six-digit 1.0 in (26.4 mm) LCD

### Units Displayed:

Pounds, kilograms, tons, metric tons, kilonewtons

### Keys/Buttons:

On/Off, Zero (100%), Tare, Print, and Two user-defined keys for the following functions: peak hold, high resolution, total, view total, net/gross, units switching

### Rating/Material:

Enclosure: NEMA Type 4, IP68 milled anodized aluminum with O-ring gaskets

### Temperature Range:

Operating: -4 °F to 140 °F (-20 °C to 60 °C)

Certified: 14 °F to 104 °F (-10 °C to 40 °C)

### Warranty:

One-year limited

### Approvals:

NTEP CC 15-110 (-10 °C to 40 °C)

OVERHEAD  
WEIGHING

# MSI-8000HD

Indicator/Remote Display

## Part Number/Price

Part #	Description	Est. Weight	Price
153591	ScaleCore RF/remote display/85 to 265 VAC	5 lb (2.5 kg)	\$1,541.00
154853	ScaleCore RF/remote display/internal battery	5 lb (2.5 kg)	\$1,670.00
160476	ScaleCore RF/remote display/7 to 36 VDC	5 lb (2.5 kg)	\$1,485.00
159377	ScaleCore RF/remote display/18 to 72 VDC	5 lb (2.5 kg)	\$1,520.00
159376	ScaleCore RF/remote display/9 to 36 VDC	5 lb (2.5 kg)	\$1,520.00
158427	Meter/2 A/D inputs/85 to 265 VAC (non RF)	5 lb (2.5 kg)	\$1,875.00
158428	Meter/2 A/D inputs/internal battery (non RF)	5 lb (2.5 kg)	\$1,990.00
160478	Meter/2 A/D inputs/7 to 36 VDC (non RF)	5 lb (2.5 kg)	\$1,670.00
159381	Meter/2 A/D inputs/18 to 72 VDC (non RF)	5 lb (2.5 kg)	\$1,710.00
159380	Meter/2 A/D inputs/9 to 36 VDC (non RF)	5 lb (2.5 kg)	\$1,710.00
158425	RF Meter/2 A/D inputs/85 to 265 VAC	5 lb (2.5 kg)	\$1,895.00
158426	RF Meter/2 A/D inputs/internal battery	5 lb (2.5 kg)	\$2,065.00
160477	RF Meter/2 A/D inputs/7 to 36 VDC	5 lb (2.5 kg)	\$1,895.00
159379	RF Meter/2 A/D inputs/18 to 72 VDC	5 lb (2.5 kg)	\$1,905.00
159378	RF Meter/2 A/D inputs/9 to 36VDC	5 lb (2.5 kg)	\$1,905.00
176958	Wi-Fi meter/85/265 VAC	5 lb (2.5 kg)	\$1,575.00
176960	Wi-Fi meter/internal battery	5 lb (2.5 kg)	\$1,710.00
176964	Wi-Fi meter/7 to 36 VDC	5 lb (2.5 kg)	\$1,520.00
176966	Wi-Fi meter/9 to 36 VDC	5 lb (2.5 kg)	\$1,560.00
176968	Wi-Fi meter/18 to 72 VDC	5 lb (2.5 kg)	\$1,560.00

## Options/Accessories

Part #	Description	Price
155173	MSI-8000HD spare tilt stand option kit	\$90.00
155193	MSI-8000HD Ethernet TCP/IP option kit wired	\$430.00
162178	Antenna extension kit, 6 ft	\$490.00
148624	MSI-8000HD serial RS-232 cable	\$140.00
158779	MSI-8000HD two each coil relay option kit, 250 VAC/30 VDC 5A or 100 VDC 0.4A	\$375.00
158780	MSI-8000HD two each solid state relay option kit, 60 Vpk 2.7A	\$375.00
158781	MSI-8000HD two each solid state relay option kit, 200 Vpk 0.9A	\$375.00
149549	Universal 115/230 VAC 50/60 Hz (NA plug standard) battery charger for MSI-8000HD battery powered device	\$165.00
149550	Universal 115/230 VAC 50/60 Hz (international plugs) battery charger for MSI-8000HD battery powered device	\$160.00
171203	Audible alarm kit	\$375.00
176963	Serial print cable (for GoDex printer)	\$165.00
<b>Relays</b>		
172490	Expanded relay kit, four-channel, 12A 5V, latching relays	Consult
172492	Expanded relay kit, four-channel, 12A 5V, momentary relays	Consult
Consult	Expanded relay kit, four-channel, 0.9A 200Vpk, AC/DC solid state relays	Consult
172495	Expanded relay kit, eight-channel, 12A 5V, momentary relays	Consult
172500	Expanded relays option kit, four-channel, 3A, 60Vpk solid state Form C relays	Consult
172501	Expanded relays option kit, eight-channel, 3A 60Vpk, solid state Form C relays	Consult
172502	Expanded relays option kit, eight-channel, 0.9A 200Vpk, solid state Form C relays	Consult
171676	Expanded relays option kit, eight-channel, 12A 5V, latching relays	Consult

OVERHEAD  
WEIGHING

# MSI-8004HD

Indicator/RF LED Remote Display



## Approvals



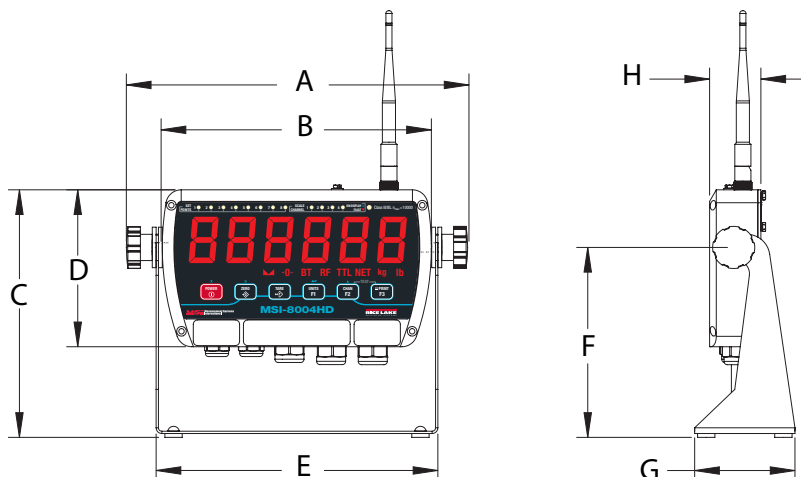
Measurement  
Canada  
Approved

## Part Number/Price

Part #	Description	Price
<b>Indicator</b>		
196904	4CH AC, red/green instant power-on, 85~264VAC, 47~440 Hz, 120~370 VDC	\$2,400.00
178265	4CH AC, red/green 85~264 VAC, 47~440Hz, 120~370VDC	\$2,170.00
178269	4CH DC 8-32 V, red/green, best for external 12 V SLA batteries	\$2,205.00
178271	4CH DC 9-36 V Iso, red/green, do not use on 12 V Vehicle Systems	\$2,310.00
183481	4CH 5 V Red/Green with external rechargeable battery	\$2,185.00
<b>Remote Display</b>		
178281	AC, red/green 85~264 VAC, 47~440 Hz, 120~370 VDC	\$2,120.00
178283	DC, 8-32 V, red/green best for external 12 V SLA battery	\$2,075.00
178285	DC, 9-36 V Iso, red/green, do not use on 12 v vehicle systems	\$2,160.00
183479	4CH 5 V red/green with external rechargeable battery	\$1,875.00

## Dimensions

MSI-8004HD			
With Tilt Stand			
A	11.10 in (282 mm)	E	9.13 in (232 mm)
B	8.76 in (223 mm)	F	6.16 in (156 mm)
C	8.02 in (204 mm)	G	3.25 in (83 mm)
D	5.09 in (129 mm)	H	1.66 in (42 mm)



## Standard Features

- LED display
- IP65 rugged milled aluminum enclosure
- Backlit membrane keypad for user functioning and controls
- Tilt bracket included
- Color changing display (via setpoints)

## Options

(Contact MSI for application consultation)

- Expanded relay outputs
- Battery pack for mobile operation
- Second radio module for additional network connectivity

## Specifications

### Power:

90 to 267 VAC, 9 to 36 VDC, 18 to 72 VDC, 120 to 300 VDC

### Excitation Voltage:

4.8 V current limited and over-voltage protected

### Functions:

Peak hold, high resolution, total, view total net/gross, units switching

### Units:

Pounds and kilograms

### Channels:

1, 2, 3, 4, TTL

### RF Remote Channels:

Up to 4 remote sensors monitored individually, in pairs or sum all (non-A/D version only) (when used with TranSend™)

### Service Counters:

A/D version only

### A/D Inputs:

Four independent or summing load cell inputs

### Relays:

Two 5 V coil, 250 VAC, 5 A relays

### Filtering:

Off, Low, Hi-1, Hi-2

### RF Radio Link:

2.4 GHz 802.15.4, optional second channel for Serial RF, 802.11 Wi-Fi

### RF Effective Range:

Typically 100 to 300 ft, line of sight; for longer range consult factory

### Communication Ports

Two RS-232 hard wired communication ports

### Annunciators:

Stable, COZ, peak, kg, kN, lb, M, ton, setpoint, function LEDs

### Display:

Six-digit, 1.5 in (38 mm) LED display with red/green/orange coloring

### Keys/Buttons:

On/Off, Zero, Tare, Print and two user-defined keys

### Temperature Range:

Operating: -40 °F to 140 °F (-40 °C to 60 °C)  
Certified: 23 °F to 104 °F (-5 °C to 40 °C)

### Rating/Material:

NEMA Type 4, IP65 milled anodized aluminum

### Warranty:

One-year limited

### Approvals:

NTEP 17-036  
Measurement Canada AM-6068

OVERHEAD  
WEIGHING

# MSI-8004HD

Indicator/RF LED Remote Display

## Options/Accessories

Part #	Description	Price
139309	Antenna kit, long range omni-directional, 9 dBi with 3 m coax Intended for omni-directional mast mounting (up to 2" dia). Beam-width. Must be mounted vertically.	\$510.00
139310	Antenna kit, corner reflector, 9 dBi with 3 m coax intended for directional wall or mast mounting (up to 2" dia). Beam-width: 75° Elevation, 65° azimuth.	\$505.00
139311	Antenna kit, corner reflector, 12 dBi with 3 m coax intended for directional wall or mast mounting (up to 2" dia). Beam-width: 50° Elevation, 36° azimuth.	\$535.00
139312	Antenna kit, YAGI, 15 dBi with 3 m coax highly directional wall or mast mounting (up to 2" dia). Beam-width: 30° elevation, 34° azimuth.	\$415.00
139313	Antenna kit, vehicle mount, 5 dBi with 5 m coax omni-directional. Mounts in 3/4" hole.	\$160.00
162178	Antenna extension kit, 6 ft	\$490.00
197013	Antenna extension kit, 20 ft	\$520.00
155173	Spare kit, tilt stand	\$90.00
199105	Audible alarm not compatible with battery versions	Consult
22436	Cable, Comm DB9F 9-pin fem one end stripped and tinned on other end 6' in 2 (Brown) Pin 3 (Red) Pin 5 (Yellow) For use with MSI-8004HD serial ports to connect to: Scoreboard displays, printers, computers & other equipment that supports RS-232.	\$70.00
183437	Battery, 5V Li-ion battery with USB power ports. Output 5 V/3.0A per port (6.0 A max)Rate, 2A per port (4A if both ports are used).	\$235.00
184131	8004 option kit, WiFi with SMA antenna	\$200.00
187424	8004 option kit, 2nd Xbee with TNC antenna	\$210.00
182224	Power adapter, 12 VDC 5 VDC dual USB car charger plus 3 ft USB cable	\$60.00
<b>Relays</b>		
172500	Expanded relays option kit, four-channel, 3A, 60VPK SSR form C	Consult
172501	Expanded relays option kit, eight-channel, 3A 60VPK, SSR form C	Consult
Consult	Expanded relays option kit, four-channel, 0.9A 200VPK, AC/DC SSR Form C	Consult
172502	Expanded relays option kit, eight-channel, 0.9A 200VPK, SSR form C	Consult
172492	Expanded relays option kit, four-channel, 12A 5V, momentary	Consult
172495	Expanded relays option kit, eight-channel, 12A 5V, momentary	Consult
172490	Expanded relays option kit, four-channel, 12A 5V, latching relays	Consult
171676	Expanded relays option kit, eight-channel, 12A 5V, latching relays	Consult

OVERHEAD  
WEIGHING



# MSI Scoreboards Wireless RF

Featuring LaserLight2 Remote Displays



- Integrated data repeater
- Six high-intensity red digits (double-row discrete LED)
- Auto Learn mode of communication protocols
- Hold displayed weight (demand input)
- Software selectable standstill mode for no updates while in motion
- Durable weather -tight IP66 enclosure
- Adjustable daylight/night intensity
- Non-glare contrast filtered lens
- Mirror (reverse image) feature
- RS-232, 20 mA and RS-485 communications
- Auto sensing 115/230 VAC power supply
- PEMs for VESA flat-wall mount or side-mounting flange available
- Polyethylene breather vent inhibits internal moisture buildup

(Contact MSI for application consultation)

## Specifications

### Enclosure:

NEMA Type 4, IP66

### Display:

Six-digit long-life LED, 4 in or 6 in

### Power:

AC/DC power supply 85 to 265 VAC, 47 to 440Hz/130 to 300 VDC

### Radio Link:

Direct sequence spread spectrum at 2.4GHz

### Radio Link Effective Range:

Typically 100 to 300 ft, line of sight; for longer range consult factory

### Standard Antenna:

1/2 wave 2 dBi, articulated

### Warranty:

One-year limited

### Echo Data Output:

RS-232

## Standard Features

- Compatible with: MSI-7300 Dyna-Link 2, MSI-3460 Challenger 3, MSI-4260 Port-A-Weigh, MSI-7000 and MSI-7001 TranSend™, MSI-9600HT, MSI-6360, MSI-8000HD and MSI-8004HD
- Tilt mounting bracket

## Part Number/Price

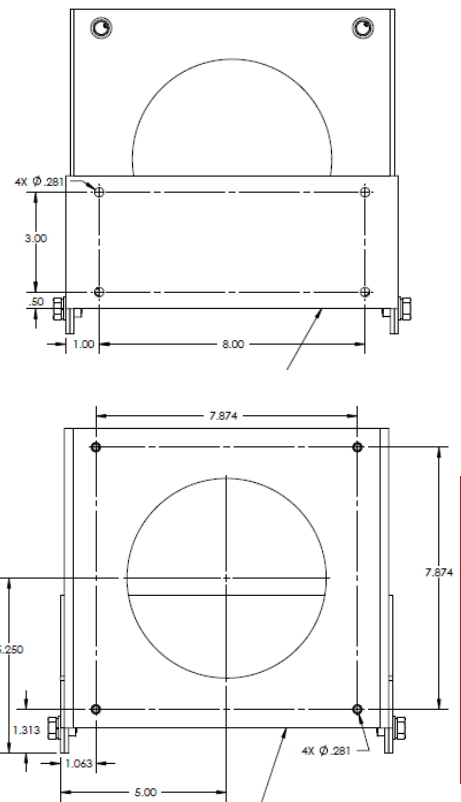
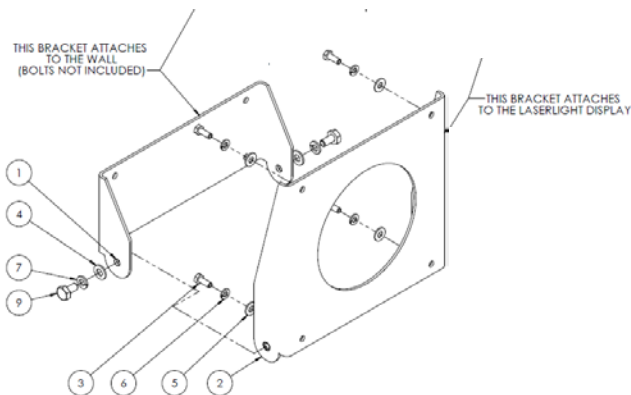
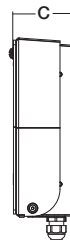
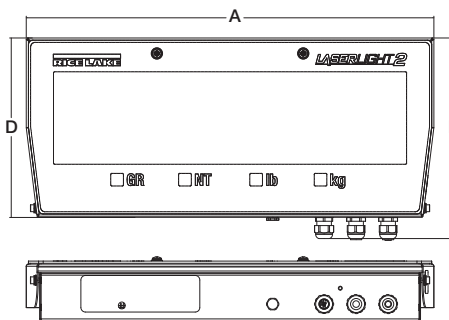
Part #	Description	Est. Weight	Price
178004	LaserLight2, 4 in with ScaleCore RF and tilt bracket		\$2,535.00
178006	LaserLight2, 6 in with ScaleCore RF and tilt bracket		\$3,005.00
178341	Laserlight2, 4 in with tilt bracket		\$2,410.00
178342	Laserlight2, 6 in with tilt bracket		\$2,870.00

## Options/Accessories

Part #	Description	Est. Weight	Price
139309	Long-range antenna, 300 m-500 m omni-directional with 9 dBi gain, includes 10 ft/3 m coaxial cable	1 lb	\$510.00
139310	9 dBi gain corner reflector antenna	1 lb	\$505.00
139311	12 dBi gain corner reflector antenna	1 lb	\$535.00
139313	5 dBi gain vehicle/cab mount whip antenna	1 lb	\$160.00
162178	Antenna extension kit, 6 ft		\$490.00
197013	Antenna extension kit, 20 ft		\$520.00
178318	Replacement tilt bracket, LaserLight2		\$275.00

## Dimensions

MSI Scoreboards Wireless RF			
22-inch enclosure (4-inch model)		31-inch enclosure (6-inch model)	
A	22.28 in (565 mm)	C	3.28 in (85 mm)
B	10.96 in (280 mm)	D	9.80 in (250 mm)
A	30.63 in (780 mm)	C	3.73 in (95 mm)
B	13.94 in (355 mm)	D	12.77 in (325 mm)



OVERHEAD WEIGHING

# TranSend™ MSI-7000

Wireless Load Cell Interface System



## Standard Features

- Works with any basic digital weight indicator
- Excitation to load cell(s) provided by the transmitter, not the indicator
- Each transmitter/receiver set is individually paired
- Serial communication cable included with all transmitters
- IP68 milled aluminum enclosure

(Contact MSI for application consultation)

## Specifications

### Power:

MSI-7000: 5-6 VDC, 7-36 VDC, 85-265 VAC  
 MSI-7001: 5-6 VDC, 7-36 VDC, 85-265 VAC  
 MSI-7000HD: 7-36 VDC, 9-36 VDC, 85-265 VAC  
 MSI-7001HD: 5-6 VDC, 7-36 VDC, 9-36 VDC, 85-265 VAC

### Excitation Voltage:

Transmitter: +4.8 VDC, 16 x 350 ohm or 32 x 700 ohm load cells

### Standard Antenna:

1/2 wave 2dBi, articulated

### Frequency:

Direct sequence spread spectrum at 2.4 GHz, 802.15.4

### Effective Range:

Typically 100 to 300 ft, line of sight; for longer range consult factory

### Communication Ports:

Full duplex RS-232

### Circuit Protection:

RFI, EMI, ESD protection

### Operating Temperature :

-40 °F to 185 °F (-40 °C to 85 °C)

### Rating/Material:

MIS-7000/MSI-7001: IP68, die-cast aluminum enclosure  
 MSI-7000HD/MSI-7001HD: IP68, durable milled aluminum enclosure

### Additional RF Options:

Wi-Fi  
 802.15.4  
 FHSS

### Warranty:

One-year limited

## Part Number/Price

Part #	Description	Est. Weight	Price
<b>Transmitters</b>			
<b>5-6 VDC Power Input</b>			
159207	Four-channel transmitter, no relays, RF 802.15.4, 2.4 GHz	2 lb	\$1,055.00
161949	Four-channel transmitter, includes three coil relays, RF 802.15.4, 2.4 GHz	2 lb	\$1,210.00
176648	Four-channel transmitter, no relays, Wi-Fi	2 lb	\$1,115.00
176652	Four-channel transmitter, includes three coil relays, Wi-Fi	2 lb	\$1,265.00
<b>7-36 VDC Power Input</b>			
159470	Four-channel transmitter, no relays, RF 802.15.4, 2.4 GHz	2 lb	\$1,090.00
161951	Four-channel transmitter, includes three coil relays, RF 802.15.4, 2.4 GHz	2 lb	\$1,265.00
176650	Four-channel transmitter, no relays, Wi-Fi	2 lb	\$1,145.00
176653	Four-channel transmitter, includes three coil relays, Wi-Fi	2 lb	\$1,325.00
<b>85-265 VAC Power Input</b>			
159469	Four-channel transmitter, no relays, RF 802.15.4, 2.4 GHz	2 lb	\$1,115.00
161950	Four-channel transmitter, includes three coil relays, RF 802.15.4, 2.4 GHz	2 lb	\$1,295.00
176647	Four-channel transmitter, no relays, Wi-Fi	2 lb	\$1,175.00
176651	Four-channel transmitter, includes three coil relays, Wi-Fi	2 lb	\$1,370.00
<b>Receivers</b>			
<b>5-6 VDC Power Input</b>			
160016	Four-channel receiver to provide an analog output signal: 4-20 mA, 0-20 mA, 0-5 VDC, 0-10 VDC, ±5 VDC, ±10 VDC, includes three coil relays, RF 802.15.4, 2.4 GHz	2 lb	\$1,265.00
160017	MSI-7000 four-channel receiver to provide RS232 serial output	2 lb	\$1,285.00
<b>7-36 VDC Power Input</b>			
159478	MSI-7000 four-channel receiver to provide RS232 serial output	2 lb	\$1,340.00
159476	Four-channel receiver to provide an analog output signal: 4-20 mA, 0-20 mA, 0-5 VDC, 0-10 VDC, ±5 VDC, ±10 VDC, includes three coil relays, RF 802.15.4, 2.4 GHz	2 lb	\$1,425.00
<b>85-265 VAC Power Input</b>			
159477	Four-channel receiver to provide RS232 serial output	2 lb	\$1,190.00
159475	Four-channel receiver to provide an analog output signal: 4-20 mA, 0-20 mA, 0-5 VDC, 0-10 VDC, ±5 VDC, ±10 VDC, includes three coil relays, RF 802.15.4, 2.4 GHz	2 lb	\$1,530.00

OVERHEAD WEIGHING

## Options/Accessories

Part #	Description	Price
162172	Charger, TranSend™ for 6 V SLA battery	\$70.00
162173	Battery, TranSend 6 V SLA	\$135.00
162175	Enclosure, TranSend for 6 V SLA battery	\$350.00
160109	AC adapter, TranSend 6 V	\$59.00
143531	Power cord, 6 V SLA battery charger EU	\$31.00
143533	Power cord, 6 V SLA battery charger, Australia	\$54.00
143534	Power cord, 6 V SLA battery charger, UK	\$47.00
160110	265 VAC to 6 VDC wall adapter US/UK/EU/AUS/China	\$59.00
162178	Antenna extension kit, 6 ft coax cable	\$490.00
139309	Antenna kit, long-range Omni with 3 m coax cable	\$510.00
139310	Antenna kit, corner reflector 9 dbi with 3 m coax cable	\$505.00
197013	Antenna extension kit, 20 ft	\$520.00
139311	Antenna kit, corner reflector 12 dbi with 3 m coax cable	\$535.00
139312	Antenna kit, Yagi 15 dbi with 3 m coax cable	\$415.00
144345	30 m coaxial cable, for use with non-vehicle mount antenna kits	\$480.00
139313	Antenna kit, vehicle mount. 5 dbi with 5 m coaxial cable	\$160.00
150964	RS-232 13 ft (4 m) serial cable with nine-pin (female) connector	\$200.00
150965	RS-232 13 ft (4 m) serial cable with nine-pin (male) connector	\$180.00
145085	RS-232 serial cable, unterminated	\$135.00

# TranSend™ MSI-7001

Wireless Load Cell Interface System



## Standard Features

- Works with any basic digital weight indicator
- Excitation to load cell(s) provided by the transmitter, not the indicator
- Each transmitter/receiver set is individually paired
- Serial communication cable included with all transmitters
- IP68 milled aluminum enclosure

(Contact MSI for application consultation)

## Specifications

### Power:

MSI-7000: 5-6 VDC, 7-36 VDC, 85-265 VAC  
 MSI-7001: 5-6 VDC, 7-36 VDC, 85-265 VAC  
 MSI-7000HD: 7-36 VDC, 9-36 VDC, 85-265 VAC  
 MSI-7001HD: 5-6 VDC, 7-36 VDC, 9-36 VDC, 85-265 VAC

### Excitation Voltage:

Transmitter: +4.8 VDC, 16 x 350 ohm or 32 x 700 ohm load cells

### Standard Antenna:

1/2 wave 2dBi, articulated

### Frequency:

Direct sequence spread spectrum at 2.4 GHz, 802.15.4

### Effective Range:

Typically 100 to 300 ft, line of sight; for longer range consult factory

### Communication Ports:

Full duplex RS-232

### Circuit Protection:

RFI, EMI, ESD protection

### Operating Temperature :

-40 °F to 185 °F (-40 °C to 85 °C)

### Rating/Material:

MSI-7000/MSI-7001: IP68, die-cast aluminum enclosure  
 MSI-7000HD/MSI-7001HD: IP68, durable milled aluminum enclosure

### Additional RF Options:

Wi-Fi  
 802.15.4  
 FHSS

### Warranty:

One-year limited

## Part Number/Price

Part #	Description	Est. Weight	Price
<b>Transmitters</b>			
<b>5-6 VDC Power Input</b>			
160330	Single-channel transmitter, no relays, RF 802.15.4, 2.4 GHz	2 lb	\$995.00
176655	Single-channel transmitter, no relays, Wi-Fi	2 lb	\$1,050.00
<b>7-36 VDC Power Input</b>			
160329	Single-channel transmitter, no relays, RF 802.15.4, 2.4 GHz	2 lb	\$1,055.00
176656	Single-channel transmitter, no relays, Wi-Fi	2 lb	\$1,115.00
<b>85-265 VAC Power Input</b>			
160328	Single-channel transmitter, no relays, RF 802.15.4, 2.4 GHz	2 lb	\$1,090.00
176654	Single-channel transmitter, no relays, Wi-Fi	2 lb	\$1,145.00
<b>Receivers</b>			
<b>5-6 VDC Power Input</b>			
160337	Single-channel receiver to provide a mV signal to a digital weight indicator, RF 802.15.4, 2.4 GHz	2 lb	\$1,055.00
160334	Single-channel receiver to provide an analog output signal: 4-20 mA, 0-20 mA, 0-5 VDC, 0-10 VDC, ±5 VDC, ±10 VDC, RF 802.15.4, 2.4 GHz	2 lb	\$1,115.00
161941	Single-channel receiver to provide RS232 serial output	2 lb	\$825.00
<b>7-36 VDC Power Input</b>			
160336	Single-channel receiver to provide a mV signal to a digital weight indicator. RF 802.15.4, 2.4 GHz	2 lb	\$1,155.00
161939	Single-channel receiver to provide RS232 serial output	2 lb	\$940.00
160333	Single-channel receiver to provide an analog output signal: 4-20 mA, 0-20 mA, 0-5 VDC, 0-10 VDC, ±5 VDC, ±10 VDC, RF 802.15.4, 2.4 GHz	2 lb	\$1,265.00
<b>85-265 VAC Power Input</b>			
160335	Single-channel receiver to provide a mV signal to a digital weight indicator, RF 802.15.4, 2.4 GHz	2 lb	\$1,210.00
161938	Receiver to provide RS232 serial output	2 lb	\$1,005.00
160332	7001AN AC power	-	\$1,325.00

OVERHEAD WEIGHING

### Options/Accessories

Part #	Description	Price
162177	Cordset, TranSend, pre-wired for use with single channel transmitters or non-relay based receivers	\$135.00
164865	Cable, 4 m, one-channel, mV/V output, LC input	\$145.00
165648	Cable, 5 m, one-channel, mV/V output, LC input	\$165.00
165651	Cable, 10 m, one-channel, mV/V output, LC input	\$230.00
162184	Load cell connector, TranSend, field wireable, 4-6 mm straight. For use with single channel transmitters and all receivers.	\$62.00
162185	Load cell connector, TranSend, field wireable, 6-8 mm straight. For use with single channel transmitters and all receivers.	\$62.00
162186	Load cell connector, TranSend, field wireable, 4-6 mm right angle. For use with single channel transmitters and all receivers.	\$62.00
162187	Load cell connector, TranSend, field wireable, 6-8 mm right angle. For use with single channel transmitters and all receivers.	\$62.00
145084	Cable, 2 m, one-channel, analog output	\$64.00
144400	Cable, 5 m, one-channel, analog output	\$100.00
168903	Cable, 10 m, one-channel, analog output	\$150.00
Consult	Straight connector, analog output, field wire able, 4-6 mm OD	Consult
Consult	Straight connector, analog output, field wire able, 6-8 mm OD	Consult
Consult	Right angle connector, analog output, field wire able, 4-6 mm OD	Consult
Consult	Right angle connector, analog output, field wire able, 6-8 mm OD	Consult
162172	Charger, TranSend™ for 6 V SLA battery	\$70.00
162173	Battery, TranSend 6 V SLA	\$135.00
162175	Enclosure, TranSend for 6 V SLA battery	\$350.00
160109	AC adapter, TranSend 6 V	\$59.00
143531	Power cord, 6 V SLA battery charger EU	\$31.00
143533	Power cord, 6 V SLA battery charger, Australia	\$54.00
143534	Power cord, 6 V SLA battery charger, UK	\$47.00
160110	265 VAC to 6 VDC wall adapter US/UK/EU/AUS/China	\$59.00
162178	Antenna extension kit, 6 ft coax cable	\$490.00
139309	Antenna kit, long-range omni with 3 m coax cable	\$510.00
139310	Antenna kit, corner reflector 9 dbi with 3 m coax cable	\$505.00
197013	Antenna extension kit, 20 ft	\$520.00
139311	Antenna kit, corner reflector 12 dbi with 3 m coax cable	\$535.00
139312	Antenna kit, Yagi 15 dbi with 3 m coax cable	\$415.00
144345	30 m coaxial cable, for use with non-vehicle mount antenna kits	\$480.00
139313	Antenna kit, vehicle mount. 5 dbi with 5 m coaxial cable	\$160.00
150964	RS-232 13 ft (4 m) serial cable with nine-pin (female) connector	\$200.00
150965	RS-232 13 ft (4 m) serial cable with nine-pin (male) connector	\$180.00
145085	RS-232 serial cable, unterminated	\$135.00

# TranSend™ MSI-7000HD

Wireless Load Cell Interface System



## Standard Features

- Works with any basic digital weight indicator
- Excitation to load cell(s) provided by the transmitter, not the indicator
- Each transmitter/receiver set is individually paired
- Serial communication cable included with all transmitters
- IP68 milled aluminum enclosure

(Contact MSI for application consultation)

## Specifications

### Power:

- MSI-7000: 5-6 VDC, 7-36 VDC, 85-265 VAC
- MSI-7001: 5-6 VDC, 7-36 VDC, 85-265 VAC
- MSI-7000HD: 7-36 VDC, 9-36 VDC, 85-265 VAC
- MSI-7001HD: 5-6 VDC, 7-36 VDC, 9-36 VDC, 85-265 VAC

### Excitation Voltage:

- Transmitter: +4.8 VDC, 16 x 350 ohm or 32 x 700 ohm load cells

### Standard Antenna:

- 1/2 wave 2dBi, articulated

### Frequency:

- Direct sequence spread spectrum at 2.4 GHz, 802.15.4

### Effective Range:

- Typically 100 to 300 ft, line of sight; for longer range consult factory

### Communication Ports:

- Full duplex RS-232

### Circuit Protection:

- RFI, EMI, ESD protection

### Operating Temperature :

- 40 °F to 185 °F (-40 °C to 85 °C)

### Rating/Material:

- MIS-7000/MSI-7001: IP68, die-cast aluminum enclosure
- MSI-7000HD/MSI-7001HD: IP68, durable milled aluminum enclosure

### Additional RF Options:

- Wi-Fi
- 802.15.4
- FHSS

### Warranty:

- One-year limited

## Part Number/Price

Part #	Description	Est. Weight	Price
<b>Transmitters</b>			
<b>7-36 VDC Power Input</b>			
177944	Four-channel 7-36VDC, three coil relays, 802.15.4		\$2,225.00
177997	Four-channel 7-36VDC, three coil relays, Wi-Fi		\$2,235.00
<b>9-36 VDC Power Input</b>			
177945	Four-channel 9-36VDC isolated, three coil relays, 802.15.4		\$2,320.00
177998	Four-channel 9-36VDC isolated, three coil relays, Wi-Fi		\$2,345.00
<b>85-265 VAC Power Input</b>			
177942	Four-channel 85-265VAC, three coil relays, 802.15.4		\$2,280.00
177995	Four-channel 85-265VAC, three coil relays, Wi-Fi		\$2,300.00

## Options/Accessories

Part #	Description	Price
187424	Dual XBee option kit for 7000HD with TNC antenna	\$210.00
162178	Antenna extension kit, 6 ft coax cable	\$490.00
139309	Antenna kit, long range Omni with 3 m coax cable	\$510.00
139310	Antenna kit, corner reflector 9 dbi with 3 m coax cable	\$505.00
197013	Antenna extension kit, 20 ft	\$520.00
139311	Antenna kit, corner reflector 12 dbi with 3 m coax cable	\$535.00
139312	Antenna kit, Yagi 15 dbi with 3 m coax cable	\$415.00
144345	30 m coaxial cable, for use with non-vehicle mount antenna kits	\$480.00
139313	Antenna kit, vehicle mount. 5 dbi with 5 m coaxial cable	\$160.00
148624	RS-232/RS-485 serial cable	\$140.00
143348	Cordset IP68 5-pin male	\$135.00
141263	12V Battery Half Plate, requires separate power cable	\$1,550.00

OVERHEAD WEIGHING



# TranSend™ MSI-7001HD

Wireless Load Cell Interface System



## Standard Features

- Works with any basic digital weight indicator
- Excitation to load cell(s) provided by the transmitter, not the indicator
- Each transmitter/receiver set is individually paired
- Serial communication cable included with all transmitters
- IP68 milled aluminum enclosure

(Contact MSI for application consultation)

## Specifications

### Power:

MSI-7000: 5-6 VDC, 7-36 VDC, 85-265 VAC  
 MSI-7001: 5-6 VDC, 7-36 VDC, 85-265 VAC  
 MSI-7000HD: 7-36 VDC, 9-36 VDC, 85-265 VAC  
 MSI-7001HD: 5-6 VDC, 7-36 VDC, 9-36 VDC, 85-265 VAC

### Excitation Voltage:

Transmitter: +4.8 VDC, 16 x 350 ohm or 32 x 700 ohm load cells

### Standard Antenna:

1/2 wave 2dBi, articulated

### Frequency:

Direct sequence spread spectrum at 2.4 GHz, 802.15.4

### Effective Range:

Typically 100 to 300 ft, line of sight; for longer range consult factory

### Communication Ports:

Full duplex RS-232

### Circuit Protection:

RFI, EMI, ESD protection

### Operating Temperature :

-40 °F to 185 °F (-40 °C to 85 °C)

### Rating/Material:

MSI-7000/MSI-7001: IP68, die-cast aluminum enclosure  
 MSI-7000HD/MSI-7001HD: IP68, durable milled aluminum enclosure

### Additional RF Options:

Wi-Fi  
 802.15.4  
 FHSS

### Warranty:

One-year limited

## Part Number/Price

Part #	Description	Est. Weight	Price
<b>Transmitters</b>			
<b>5-6 VDC</b>			
178010	Two-channel 5-6VDC, 802.15.4		\$1,240.00
178018	Two-channel 5-6VDC, Wi-Fi		\$1,340.00
<b>7-36 VDC</b>			
178011	Two-channel 7-36VDC, 802.15.4		\$1,325.00
178019	Two-channel 7-36VDC, Wi-Fi		\$1,350.00
<b>9-36 VAC Isolated</b>			
178012	Two-channel 9-36VDC isolated, 802.15.4		\$1,340.00
178020	Two-channel 9-36VDC isolated, Wi-Fi		\$1,425.00
<b>85-265 VAC</b>			
178021	Two-channel 85-265VAC, 802.15.4		\$1,370.00
178017	Two-channel 85-265VAC, W-iFi		\$1,400.00

## Options/Accessories

Part #	Description	Price
162172	Charger, TranSend™ for 6 V SLA battery	\$70.00
162173	Battery, TranSend 6 V SLA	\$135.00
162175	Enclosure, TranSend for 6 V SLA battery	\$350.00
160109	AC adapter, TranSend 6 V	\$59.00
143531	Power cord, 6 V SLA battery charger EU	\$31.00
143533	Power cord, 6 V SLA battery charger, Australia	\$54.00
143534	Power cord, 6 V SLA battery charger, UK	\$47.00
160110	265 VAC to 6 VDC wall adapter US/UK/EU/AUS/China	\$59.00
162178	Antenna extension kit, 6 ft coax cable	\$490.00
139309	Antenna kit, long range Omni with 3 m coax cable	\$510.00
139310	Antenna kit, corner reflector 9 dbi with 3 m coax cable	\$505.00
197013	Antenna extension kit, 20 ft	\$520.00
139311	Antenna kit, corner reflector 12 dbi with 3 m coax cable	\$535.00
139312	Antenna kit, Yagi 15 dbi with 3 m coax cable	\$415.00
144345	30 m coaxial cable, for use with non-vehicle mount antenna kits	\$480.00
139313	Antenna kit, vehicle mount. 5 dbi with 5 m coaxial cable	\$160.00
148624	RS-232/RS-485 serial cable	\$140.00
143348	Cordset IP68, 5-pin	\$135.00

OVERHEAD  
WEIGHING

# ScaleCore Webserver

Wireless Network Router/Webserver



Approvals



## Part Number/Price

Part #	Description	Price
207943	ScaleCore Webserver, 5 VDC and PoE	\$3,820.00
209704	ScaleCore Webserver, 7-14 VDC and PoE	\$3,820.00
210817	ScaleCore Webserver, 85-265 VAC and PoE wall cube	\$3,820.00

## Options/Accessories

Part #	Description	Price
Consult	Extended-range antennas	Consult
213559	MSI-8000 handheld remote display with Wi-Fi, (only to be used with MSI ScaleCore Webserver systems and applications)	\$1,560.00

## Standard Features

- Display and control multiple ScaleCore based scales, indicators, remote displays and receivers through network connected devices using a web browser, including cell phones, tablets, and PCs.
- Capable of functioning either with an existing Wi-Fi network or as its own Wi-Fi router
- Can be powered by a dedicated power input or directly through the Ethernet cable where PoE (Power over Ethernet) is supported
- RS-232 communications at up to 460 Kbps
- Scale / load cell summing
- Tiered login to limit scale functionality for different levels of users

(Contact MSI for application consultation)

## Specifications

### Minimum System Requirements:

Will display on any device with a web browser supporting HTML 5

Connected ScaleCore based MSI scales and indicators are required to have the optional Wi-Fi radio module

### Connectivity:

Wi-Fi 2.4 GHz IEEE 802.11g

Gigabit Ethernet

2 × USB 2.0 Interface

RS-232 Serial

### Status Annunciators:

Units (lb, kg, short tons (tn), metric tons (t), (NONE) gross/net, motion, center of zero

### Operating Temperature:

-10 °C to 40 °C (14 °F to 104 °F)

### Effective Range:

Typically 100 to 300 ft, line of sight; for longer range consult factory

### Enclosure:

IP65, aluminum black powder coated (excludes 85 to 265 VAC model)

### Power:

5 to 6 VDC, 7 to 14 VDC, 85 to 265 VAC, PoE

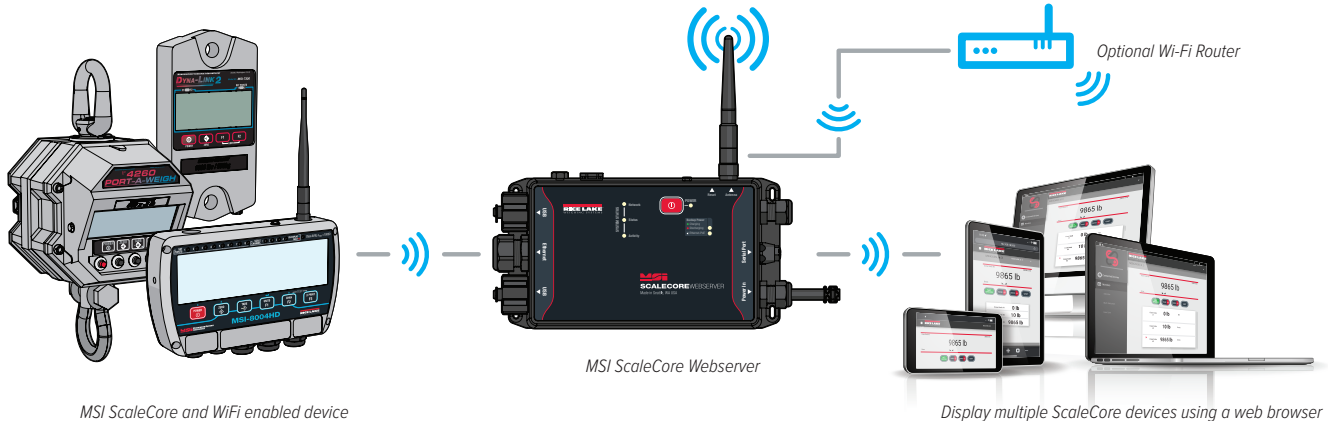
### Warranty:

One year limited

### Approvals:

NTEP CC 21-098 Classes III and IIIL at 10,000d

OVERHEAD  
WEIGHING



MSI ScaleCore and WiFi enabled device

MSI ScaleCore Webserver

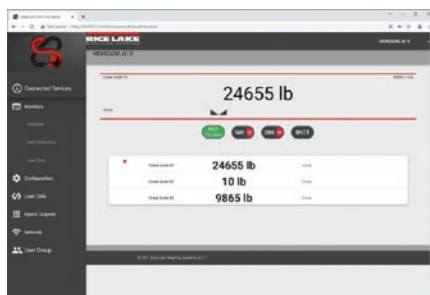
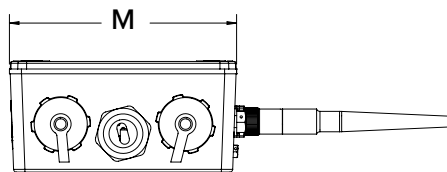
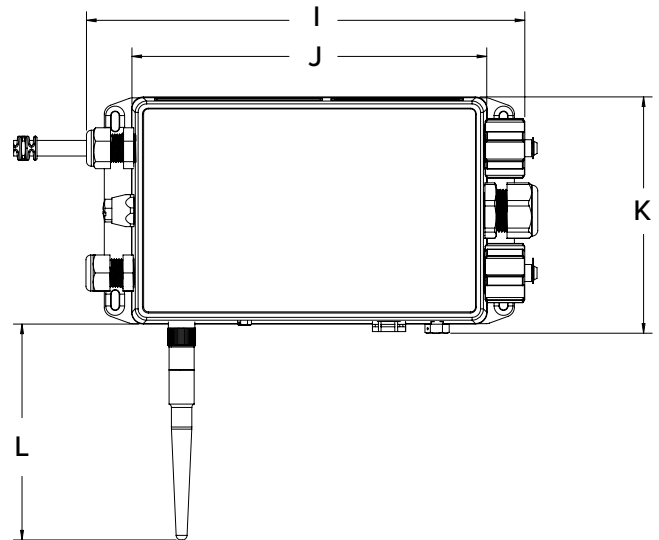
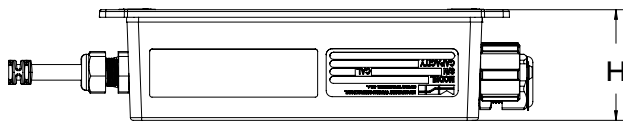
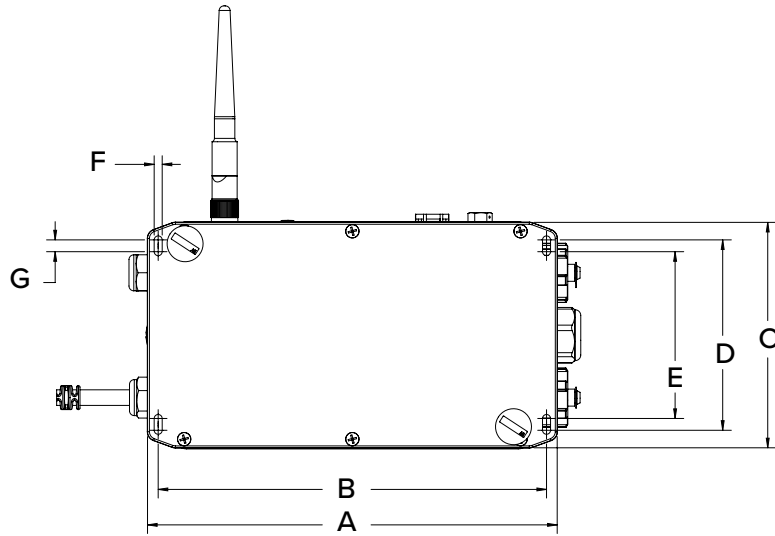
Display multiple ScaleCore devices using a web browser

# ScaleCore Webserver

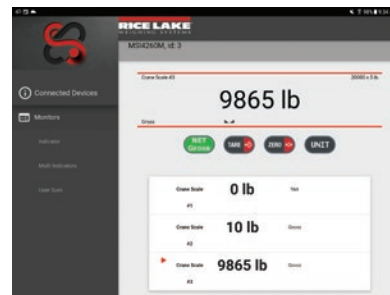
Wireless Network Router/Webserver

## Dimensions

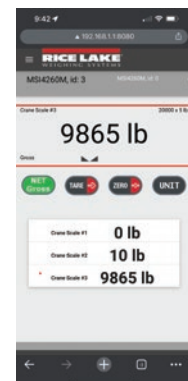
ScaleCore Webserver			
A	8.54 in (217 mm)	H	2.23 in (57 mm)
B	8.09 in (205 mm)	I	9.13 in (232 mm)
C	4.70 in (119 mm)	J	7.40 in (188 mm)
D	3.97 in (101 mm)	K	4.90 in (124 mm)
E	3.47 in (88 mm)	L	4.50 in (114 mm)
F	0.17 in (4 mm)	M	4.70 in (119 mm)
G	0.25 in (6 mm)		



Computer Screenshot



Tablet Screenshot



Phone Screenshot

OVERHEAD  
WEIGHING

# Rugged Remote



Approvals



## Part Number/Price

Part #	Description	Price
173014	MSI Rugged Remote control	\$355.00

## Standard Features

- Handheld
- Compatible with all ScaleCore™-based products including: MSI-7300 Dyna-Link 2, MSI-3460 Challenger 3, MSI-4260 Port-A-Weigh, MSI-7000 and MSI-7001 TranSend™, MSI-9600HT and MSI-6360
- Four button interface: Power, Zero, Tare, Function

## Options

(Contact MSI for application consultation)

- CE approved version available, consult for more information

## Specifications

### Power:

Battery operated, three (3) AAA alkaline batteries

### Function:

Power: turns unit ON or OFF

Zero: zeros applied load up to 100% of capacity (limited range in NTEP/OIML configurations)

Tare: tares applied load and displays weight in Net mode

User: programmable as test, units, net/gross, total, peak hold and setpoints

### Radio Effective Range:

Typically 100-300 ft line of sight

### Warranty:

One-year limited

### Approval:

CE Marked versions available

# Wi-Fi Information Request



## IN ORDER TO CUSTOMIZE A WI-FI MODULE, THE FOLLOWING INFORMATION IS REQUIRED:

Product: \_\_\_\_\_ Electronics Serial Number: \_\_\_\_\_

Network Topology:       Server       Client

**Server (Soft AP)** - User's laptop or tablet is connecting directly to the scale. Only one module may be connected at a time in this mode.

**Client** - The scale connects to an existing router. This allows a laptop or tablet to connect to multiple scales at once.

### Server Mode

- SSID: \_\_\_\_\_
  - The name for the network that the laptop/tablet is connecting to.
- Security Mode:     Open       WPA2
  - Open - Allow anyone to connect to the scale
  - WPA2 - Require a password to connect to the scale
- Password: \_\_\_\_\_
  - Only necessary if security mode is set to WPA2.
- DHCP:             On       Off
  - On - Assign a dynamic IP to the scale. The laptop/tablet connecting to the scale may have a dynamic IP (**RECOMMENDED**).
  - Off - Assign a static IP to the scale. The laptop/tablet connecting to the scale must also have a static IP.
    - IP Address-Static IP of the scale: \_\_\_\_\_
    - Net Mask/Gateway to assign to the scale: \_\_\_\_\_
  - Port - Port used to connect to the scale (default 2000): \_\_\_\_\_

### Client Mode

- SSID - The SSID of the router the scale will connect to: \_\_\_\_\_
- Security Mode - the security mode of the router:     Open       WPA2
  - Password - If the security mode of the router is WPA2, this is the password used to connect to the router \_\_\_\_\_
- DHCP:             On       Off
  - On - Allow the router to assign a dynamic IP to the scale (**RECOMMENDED**)
  - Off - Assign a static IP to the scale. This IP must be added to the static IP list in the router.
    - IP Address - Static IP of the scale: \_\_\_\_\_
    - Net Mask/Gateway to assign to the scale: \_\_\_\_\_
- Port: \_\_\_\_\_
  - Port used to connect to the scale. Must be accessible from the router.





# Pipe Lever Scales

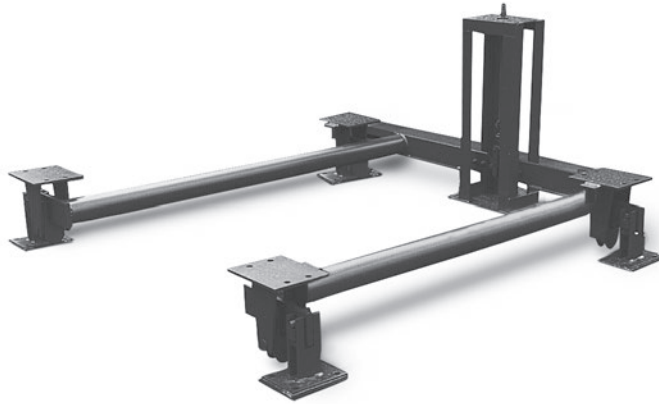
---

## TABLE OF CONTENTS

Pipe Lever Scale.....	830
Pipe Lever Scale Questionnaire .....	831

*Product names, logos, brands and other trademarks featured or referred to within this publication are the property of their respective trademark holders.*

# Pipe Lever Scale



## Approvals



Measurement  
Canada  
Approved



## Part Number/Price

Part #	Dimensions	Est. Weight	Price
<b>25,000 lb</b>			
29587	62 5/8 × 62 5/8 in	532 lb	\$4,500.00
29586	60 1/2 × 66 in	528 lb	\$4,500.00
29588	66 1/2 × 91 in	640 lb	\$4,500.00
29589	64 × 64 in	538 lb	\$4,500.00
35008	62 × 92 in	561 lb	\$4,500.00
35009	62 × 105 in	720 lb	\$4,500.00
40409	72 × 72 in	618 lb	\$4,500.00
83433	64 3/4 × 64 3/4 in	567 lb	\$4,500.00
<b>25,000 lb Stainless Steel</b>			
46264	62 5/8 × 62 5/8 in	405 lb	\$9,900.00
46265	60 1/2 × 66 in	550 lb	\$9,900.00
46266	66 1/2 × 91 in	610 lb	\$9,900.00
50172	64 × 64 in	550 lb	\$9,900.00
50173	62 × 92 in	680 lb	\$9,900.00
50174	62 × 105 in	720 lb	\$9,900.00
<b>40,000 lb</b>			
39152	5 × 5 ft	1,885 lb	\$11,200.00
39153	6 × 6 ft	1,975 lb	\$11,200.00
39154	7 × 7 ft	2,220 lb	\$11,200.00
39155	8 × 8 ft	2,310 lb	\$11,200.00
39156	9 × 9 ft	2,545 lb	\$11,200.00
39157	10 × 10 ft	2,635 lb	\$11,200.00
<b>50,000 lb</b>			
39158	5 × 5 ft	2,010 lb	\$11,200.00
39159	6 × 6 ft	2,120 lb	\$11,200.00
39160	7 × 7 ft	2,385 lb	\$11,200.00
39161	8 × 8 ft	2,495 lb	\$11,200.00
39162	9 × 9 ft	2,750 lb	\$11,200.00
39163	10 × 10 ft	2,860 lb	\$11,200.00

## Standard Features

- NTEP Certified and Measurement Canada Approved models available
- RL20000 alloy steel load cell standard (prices include load cell and ITCM load cell assembly)
- Mild steel construction, black paint finish
- Stainless steel, hermetically sealed load cells available
- Custom sizes and capacities available from 5,000 to 60,000 lb

## Specifications

### End Load Capacity:

100% full scale

### mV/V Output:

1.50 to 1.87 mV/V nominal

### Cable Length:

20 ft (6.1 m)

### Warranty:

One-year limited

### Approvals:

NTEP CC 94-126

Class III/IIII

Measurement Canada Approved, AM-5114,  
Legal For Trade on sizes greater than 1.6 m,  
or a capacity greater than 10,000 kg



Custom sizes fit your tank/hopper system for fewer modifications and less installation time.

# Pipe Lever Scale Questionnaire



Company \_\_\_\_\_

Name \_\_\_\_\_ Date \_\_\_\_\_

Phone \_\_\_\_\_ Fax \_\_\_\_\_ Email \_\_\_\_\_

	5K/10K Total Load*		25K Total Load*		30K Total Load*		40K/60K Total Load*	
	Standard	Minimum	Standard	Minimum	Standard	Minimum	Standard	Minimum
A	–	48.00 in	–	48.00 in	–	60.00 in	–	60.00 in
B	–	48.00 in	–	48.00 in	–	60.00 in	–	60.00 in
C	12.25 in	4.50 in	15.50 in	7.00 in	15.62 in	7.00 in	18.00 in	7.00 in
D	6.00 in	6.00 in	9.50 in	8.75 in	9.50 in	8.75 in	13.00 in	12.00 in
E	6.00 in	6.00 in	9.50 in	8.75 in	9.50 in	8.75 in	13.00 in	12.00 in
F	8.62 in	8.62 in	13.56 in	13.56 in	13.81 in	13.81 in	18.18 in	18.18 in
G	4.50 in	3.50 in	6.50 in	4.75 in	6.50 in	4.75 in	9.25 in	6.50 in
H	4.50 in	3.50 in	6.50 in	4.75 in	6.50 in	4.75 in	9.25 in	6.50 in
J	24.00 in	24.00 in	32.25 in	32.25 in	32.25 in	32.25 in	37.25 in	37.25 in

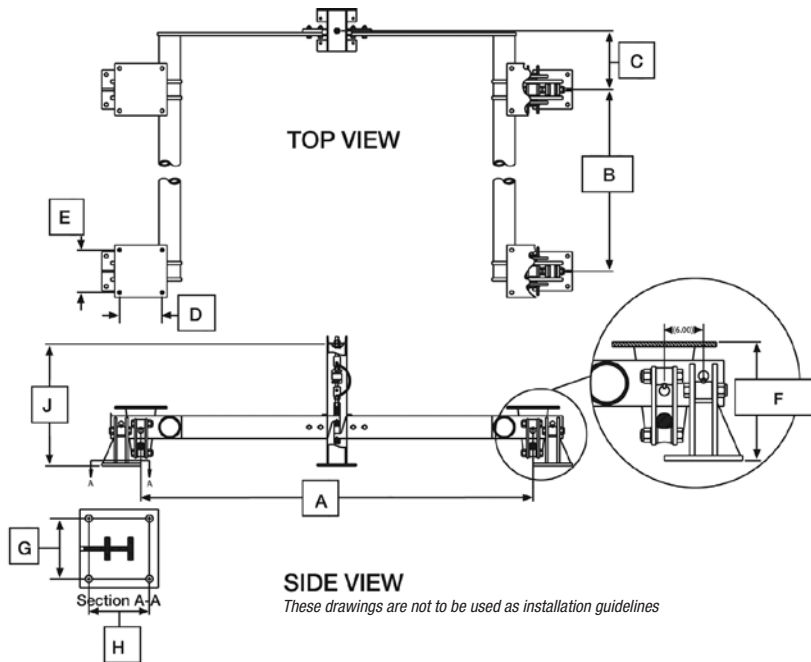
A x B must be equal to or less than 64 square feet. If, over consult factory.

\* Live and dead load

A x B must be equal to or less than 100 square feet. If, over consult factory.

A x B must be equal to or less than 100 square feet. If, over consult factory.

A x B must be equal to or less than 100 square feet. If, over consult factory.



A	
B	
C	
D+	
E+	
F	
G**	
H**	
J	

\*\* Stand hole dimensions +Chair hole dimensions.

Capacity:  5K  10K  25K  30K  40K  50K  60K

Material:  Stainless Steel  Mild Steel

NTEP Required:  Yes  No

Finish: \_\_\_\_\_

Load Cell:  Mild Steel  Stainless Steel Hermetically Sealed  
 Model \_\_\_\_\_ Model \_\_\_\_\_

Form #0652 New 08/2021



# Power Conditioning

## TABLE OF CONTENTS

<b>Selecting the Best Power Conditioning Devices/ Equipment for Your Application</b> .....	<b>834</b>
<b>Transient Protection AC, DC, Series and Parallel</b> .....	<b>836</b>
<b>TP232 RS-232</b> .....	<b>837</b>
<i>Serial Surge Protector</i>	
<b>Tripp-Lite DNET1</b> .....	<b>838</b>
<i>Ethernet Surge Suppressor</i>	
<b>LCP-1 DC</b> .....	<b>838</b>
<i>Transient Protector</i>	
<b>UJB3T6 DC</b> .....	<b>839</b>
<i>DC Transient Protector</i>	
<b>TP75 DC</b> .....	<b>840</b>
<i>DC Transient Protector</i>	
<b>ISOBLOK®</b> .....	<b>841</b>
<i>AC Transient Protector</i>	
<b>ISOBAR®</b> .....	<b>842</b>
<i>AC Transient Protector</i>	
<b>EL226</b> .....	<b>843</b>
<i>AC Transient Protector</i>	
<b>EL225-4</b> .....	<b>844</b>
<i>AC Transient Protector</i>	
<b>Sola MCR Series</b> .....	<b>844</b>
<i>Power Regulator</i>	
<b>Tripp-Lite PV Series</b> .....	<b>845</b>
<i>Power Converter</i>	
<b>Tripp-Lite LC1200</b> .....	<b>845</b>
<i>Power Regulator</i>	
<b>Sola S1K/S3K</b> .....	<b>846</b>
<i>Uninterruptible Power Supply (UPS)</i>	
<b>Eaton 3S/5S</b> .....	<b>846</b>
<i>Uninterruptible Power Supply (UPS)</i>	

Product names, logos, brands and other trademarks featured or referred to within this publication are the property of their respective trademark holders.

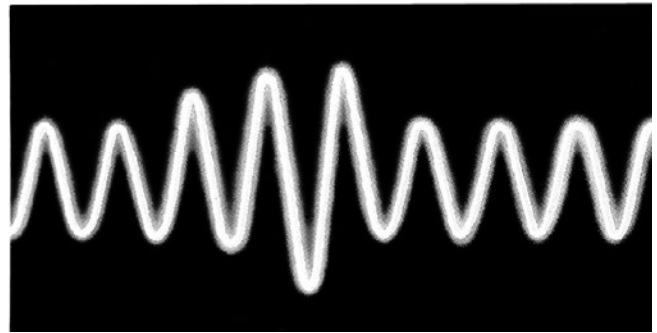
## Selecting the Best Power Conditioning Devices/ Equipment for Your Application

Digital weighing indicators utilize an incredibly small signal in their operation. These signals are easily disturbed by any number of voltage distortions. Additionally, many weighing systems are now designed with a complex array of peripheral equipment, including printers and computers. To maintain proper operation and provide maximum protection, Rice Lake Weighing Systems offers a wide variety of power conditioning products as your first line of defense in the battle to improve power problems.

The following is a list of power problems you are likely to experience, with a reference to the equipment we recommend to solve each problem. A “quick reference” power conditioning equipment chart is also included for your convenience.

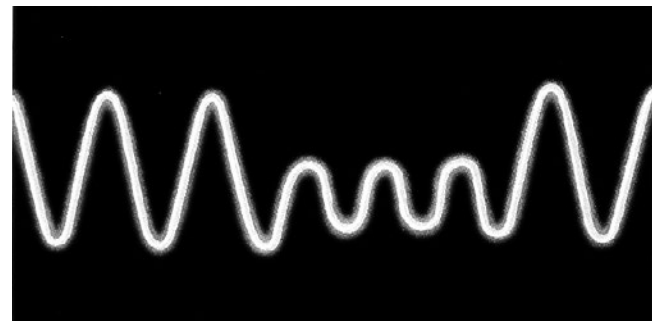
### Voltage Surge

A voltage surge is a temporary rise in voltage level lasting at least one AC cycle (1/60 second). They are typically caused by switching off high-power electric motors (electric welders, compressors, machine tools, conveyors, material handling equipment and power tools), momentarily boosting the line voltage. Regulation of the line to an acceptable voltage level is required to prevent the damage caused by voltage surges. The SOLA MCR series of voltage regulators, MCR070, MCR150 and MCR250, are designed to keep the voltage level within acceptable and harmless limits.



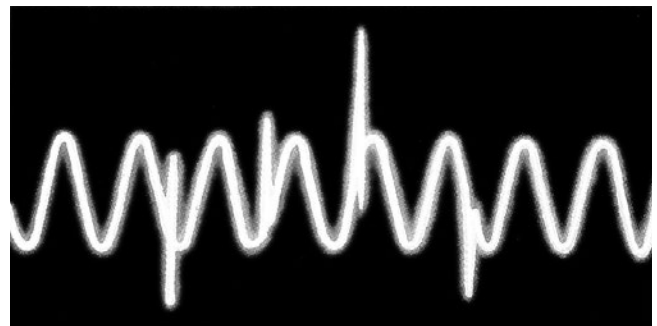
### Voltage Dip

A voltage dip is the opposite of a voltage surge, lasting at least one AC cycle (1/60 second). They are typically caused by a sudden nearby increase in an electrical load, such as turning on high-power electrical motors (electric welders, compressors, machine tools, conveyors, material handling equipment and power tools). During this time, every other piece of operating equipment is forced to operate with the reduced available voltage. Regulation of the line voltage is required to remedy this situation. The SOLA MCR series of voltage regulators, MCR070, MCR150 and MCR250, solve your problem by temporarily boosting the line voltage to within acceptable limits until the voltage dip condition has corrected itself.



### Voltage Spikes

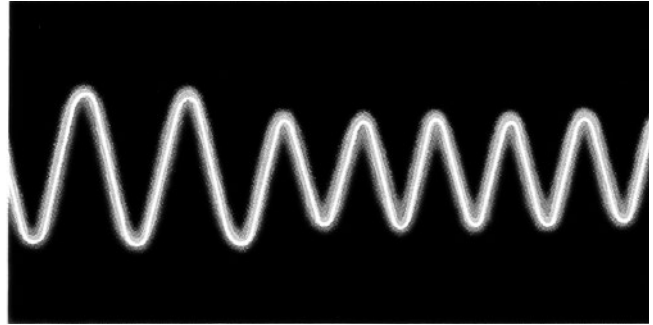
A voltage spike is a large, damaging voltage pulse caused when lightning strikes a powerline, communications line, signal or sensing line, or even the nearby ground. Voltage spikes last only a few milliseconds, but can reach a potential of 1,000 volts. High-quality protection is the only practical answer. For RS-232, RS-485, RS-422 and 20mA communication lines, use the TP232. The UJB3T6, LCP-1 and TP-75 are practical solutions for load cell protection. For line-powered equipment, the Tripp-Lite ISOBLOK® and ISOBAR® or Rice Lake's EL225 or EL226 are the most effective protection against voltage spikes.





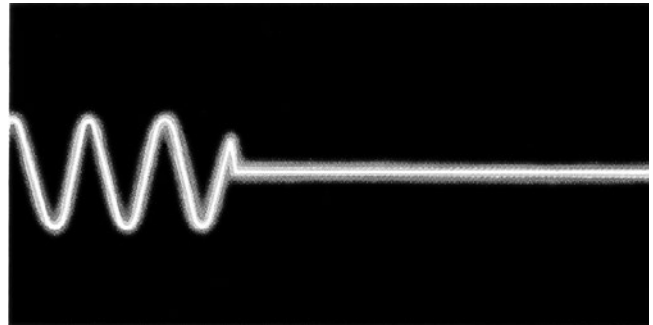
## Brownouts

Brownouts are prolonged voltage dips of as much as 15%, lasting from several hours to several days. This condition is initiated by local power companies during hours of unusually high demands. Brownouts create many forms of abnormal behavior. The only way to safeguard the operation of critical equipment is to bring the powerline voltage back up to normal specifications. The SOLA MCR series of line voltage regulators, MCR070, MCR150 and MCR250; the Sola SK Series or Eaton uninterruptible power systems can eliminate the problems associated with brownout conditions.



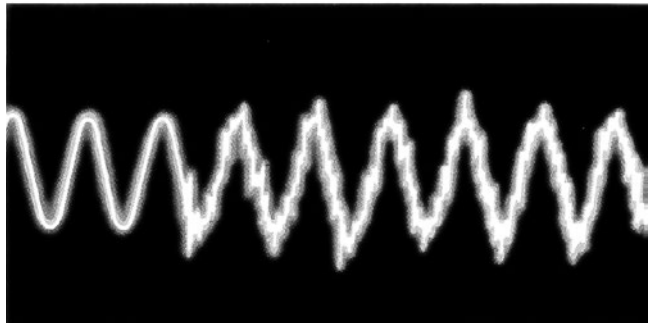
## Blackouts

The ultimate power problem! The only way to keep critical electrical equipment running during a blackout is to provide a new supply of power either from batteries or generators. The Sola SK Series or Eaton uninterruptible power system are our answer for battery-supplied electrical power.



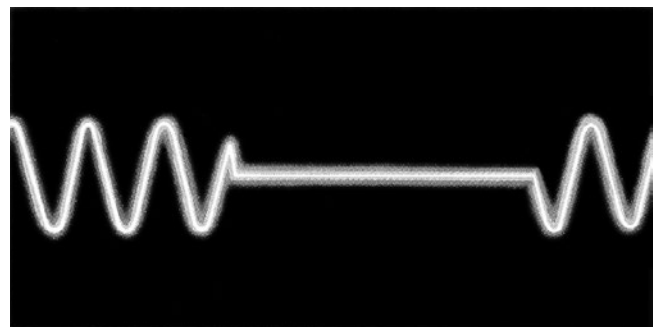
## Electrical Noise

Noise is a disturbance of electrical power caused by distant lightning, radio transmitters, welding equipment, electrical switching equipment and poor brush contact on motors and other electronic devices utilizing switching power supplies. One solution is to prevent noise from entering equipment by filtering the powerline input. The Tripp-Lite ISOBLOK and ISOBAR, or Rice Lake's EL225 or EL226 will effectively filter most electrical noise problems. In severe cases, the use of uninterruptible power systems such as Eaton and Sola S1K Series are recommended.



## Dropouts

A dropout is a temporary loss of electrical power normally caused by utility and maintenance switching functions where break-before-make switching strategies are used. This simply means the old source of power is disconnected momentarily prior to the connection of the new power source. Your local utility company may be the most common source of this type of disturbance, causing many problems—notably computer lockups, software errors, equipment resets and diagnostic self-tests. The SOLA MCR series of regulators; MCR070, MCR150 and MCR250 are available to deal with short-term dropouts (less than three milliseconds). For longer-lasting protection, Eaton and Sola SK Series uninterruptible power systems are recommended.



# Transient Protection AC, DC, Series and Parallel

## AC Protection

AC protection is designed to filter voltage spikes and electrical noise from AC wall receptacles providing power to sensitive microprocessor-based equipment such as computers, printers and indicators. Clamping voltages typically are set to 140 volts AC rms and peak current handling capacities are near 6,000 amps.

## DC Protection

DC protection is designed to filter voltage spikes and electrical noise from load cell cables, and both RS-232 and 20 milliamp serial communication lines protecting indicators, communications interfaces and computers.

## Parallel Protection

Parallel protection is provided by “diverting” or “bypassing” elements that attempt to quickly change the direction of the voltage spike, typically toward earth ground. Examples of “diverting” type elements are gas tubes, MOVs and Transzorbs™. In a parallel-type transient protector, the equipment to be protected is not removed from the line in the event of a protector damaging voltage spike, leaving the possibility of a second catastrophic voltage spike to enter the unprotected equipment.

## Series Protection

Series protection is provided by “blocking” type elements that buffer the equipment to be protected from the line voltage available at the wall receptacle. Examples of “blocking” type protective elements that are used in series-type transient protectors are fuses, circuit breakers, common mode coils and inductors. In addition, series-type protectors will utilize “diverting” elements used in parallel protectors. In the series type of transient protector, the equipment to be protected is generally removed from the line source in the event of a damaging transient or surge.

Rice Lake Weighing Systems endorses only series type AC and DC transient protectors. The additional performance and protection they provide are substantial compared to parallel type counterparts.

## A Message About Grounds...

A good ground is essential for any successful transient protection scheme. However, simply driving a copper ground rod is not enough. The conductivity of the soil can vary seasonally, particularly if the local water table rises and falls with the season. An adequate ground in spring, when the water table is high, may not be adequate in late summer when the water table is low (and thunderstorms are common). Check the resistivity of your ground regularly throughout the year. If problems appear, check with your local utility about alternate grounding techniques.

Type of Disturbance	AC Line Disturbance Solutions			
	TRANSIENT PROTECTORS	VOLTAGE REGULATORS	UNINTERRUPTIBLE POWER SYSTEMS	
	ISOBLOK/ISOBAR Our Best - EL225, EL226	MCR Series	Sola Series	Eaton
SURGE	*	✓	✓	✓
DIP		✓	✓	✓
BROWNOUT		✓	✓	✓
DROPOUT		✓	✓	✓
BLACKOUT			✓	✓
SPIKES	✓		✓	✓
NOISE EMI/RFI	✓		✓	✓

*\* Will provide some protection against surges; however, we recommend that transient protectors be used on lines where spikes, noise and interference occur.*

## Our Policy

Rice Lake Weighing Systems recommends the installation of AC and/or DC transient protection, which is effective in significantly reducing both the frequency and degree of damage caused by AC and/or DC transient voltage occurrences. However, transient protection devices will not eliminate all damage caused by transient voltage. Rice Lake Weighing Systems does not warrant or guarantee any transient protection device against damage or repair or any scale-related or other electrical/electronic device, which is intended to be protected by any transient protection device. No other warranty or guarantees—express or implied—contrary to this written policy are supported or acknowledged by Rice Lake Weighing Systems.

# TP232 RS-232

Serial Surge Protector

POWER  
CONDITIONING



Approvals



## Part Number/Price

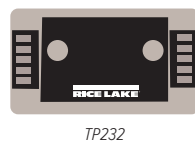
Part #	Description	Est. Weight	Price
69201	RS-232 transient serial protection TP232 high energy surge protector	0.42 lb	\$187.00

## Options/Accessories

Part #	Description	Price
17778	12 in ground strap, copper braid	\$22.00
17781	24 in ground strap, copper braid	\$22.00
69516	Additional installation manual	\$6.00



1280 Enterprise Indicator



TP232



LaserLight3 Remote Display

## Standard Features

- Two metal mounting brackets
- Three stages of protection: Gas discharge tube, series resistor and transient voltage suppressor (TVS)
- Two terminal posts for ground
- RS-232 high energy surge protector
- Terminal blocks for transmit, receive, request to send, clear to send and signal ground
- Safe for use with computers and PLCs
- Also works with RS-485, RS-422 and 20 mA

## Applications

- Indicators
- Remote displays
- Printers
- Computers
- PLC

## Specifications

### Clamping Voltage (Stage One):

72 VDC minimum, 108 VDC maximum

### Series Resistance (Stage Two):

2.7 ohm

### Clamping Voltage (Stage Three):

14.3V minimum, 15.7V maximum

### Temperature:

Operating Range

0 °F to 122 °F (-18 °C to 50 °C)

### Clamping Time:

Less than 5 < 10-9 seconds

### Connectors:

Five-position terminal blocks

### Dimensions:

(L × W × H)

Approximately 4.5 × 3.3 × 1.8 in

### Approvals:

CE marked

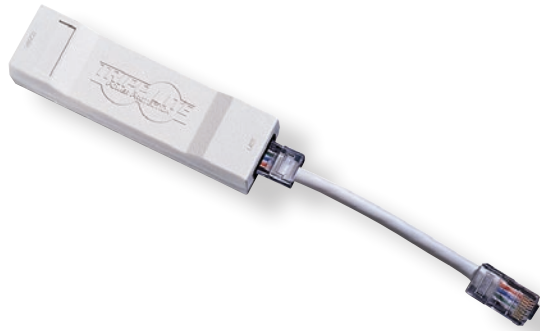
### Warranty:

One-year limited

# Tripp-Lite DNET1

Ethernet Surge Suppressor

POWER  
CONDITIONING



## Standard Features

- RJ45 input and output connections
- Five-inch Ethernet patch cable enables ideal protection placed as close as possible to the point of use
- Six-inch heavy gauge lead connects to designated grounding lugs on protected equipment
- Surge suppression utilizing high-speed avalanche diodes divert excess energies on the network to ground

## Specifications

### Interface Type:

RJ45

### Application:

100 Base-T, 10 Base-T, Token Ring, AS400/Sys3x, RS-422. Ideal for NICs, terminals, hubs, MAUs, LAN equipment. RJ11/45-compatible. RJ45 cable included.

### Lines Protected:

1 to 8

### Peak Pulse Clamping Voltage:

7.5V

### Maximum Current:

750 amps

### Warranty:

One-year limited

## Part Number/Price

Part #	Description	Est. Weight	Price
72682	DNET1 Ethernet surge suppressor	1 lb	\$80.00

# LCP-1 DC

Transient Protector



## Standard Features

- Low cost, non-serviceable
- Effective series protection for strain gauge transducers
- Encapsulated circuitry ensures positive protection against fungus or corrosion on boards
- Two nylon strain reliefs for 0.187 to 0.312 in (4.7 to 7.9 mm) diameter cable

## Specifications

### Protection Type:

Four-channel series type with separate shield

### Maximum Excitation Voltage Rate:

18 VDC or 18 VAC

### Clamping Voltage:

75 VDC or 75 VAC

### Clamping Time:

< 100 nanoseconds typical

### Peak Surge Currents:

5,000 amps any line to ground and 5,000 amps excitation to excitation

### Maximum Serial Transmission Rate:

30 Kbaud

### Grounding:

Through a 0.25 in lug to a 20 ft insulated #10 AWG ground wire provided

### Cable Fitting:

(2) Standard nylon strain relief for 0.187 to 0.312 in diameter cable

### Enclosure:

Chemically-resistant PVC. This device, for outdoor or indoor service, is not intended for washdown service (NEMA 4) or for submersion (NEMA 6). Optional NEMA 4X available.

### Operating Temperature:

14 °F to 104 °F (-10 °C to 40 °C) consistent with NTEP guidelines

### Leakage:

7,500 M ohm minimum

### Dimensions:

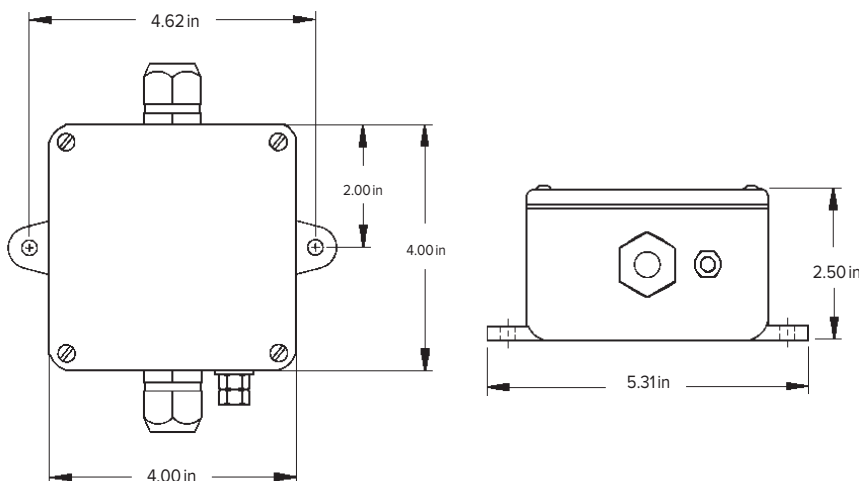
(L x W x H)  
4.0 x 4.0 x 2.50 in

### Warranty:

One-year limited

## Part Number/Price

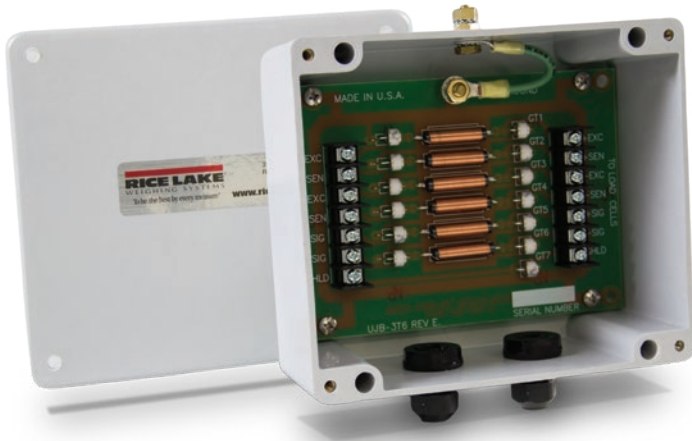
Part #	Description	Est. Weight	Price
21143	LCP-1 DC with cable compression fittings	2 lb	\$210.00



# UJB3T6 DC

## DC Transient Protector

POWER  
CONDITIONING



### Standard Features

- Protects load cells from voltage transients
- Compatible with signals down to 1  $\mu$ V per grad
- Factory serviceable
- Full six-wire with shield protection
- #6 SEMS screw type; accepts spade lugs, tinned leads or bare wires up to #12 AWG
- Up to eight parallel or summed load cells

### Applications

- Installations exposed to significant transients
- Protects serial communication lines

### Specifications

#### Protection Type:

Six-wire type with separate shield

#### Maximum Excitation Voltage:

20 VDC or 20 VAC

#### Clamping Voltage:

75 VDC or 75 VAC

#### Clamping Time:

75 VDC Stages <100 nanoseconds typical

#### Peak Surge Currents:

75 VDC Stage, 5,000 amps

#### Maximum Serial Transmission Rate:

50K baud

#### Series Resistance:

0.219 ohm typical

#### Series Inductance:

110  $\mu$ H typical

#### Grounding:

20 ft insulated #10 AWG wire

#### Cable Fitting:

Two nylon strain relief for 0.079 to 0.236 in diameter cable

#### Enclosure:

NEMA Type 4X, maximum 40 psi washdown  
Fiberglass Reinforced Polyester (FRP)

#### Temperature Range:

Operating :  
4 °F to 104 °F (-10 °C to 40 °C)

#### Circuit Board:

6.75 x 4.75 in with anti-fungal coating

#### Dimensions:

(L x W x H)  
7.63 x 6.63 x 3.25 in

#### Warranty:

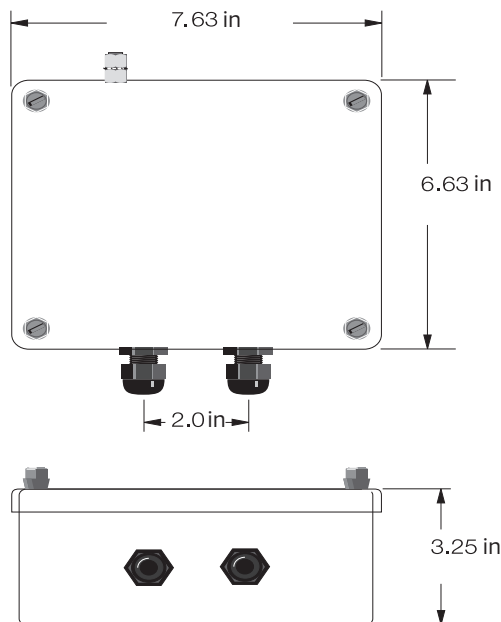
One-year limited

### Part Number/Price

Part #	Description	Est. Weight	Price
21134	UJB3T6 DC	4 lb	\$495.00

### Options/Accessories

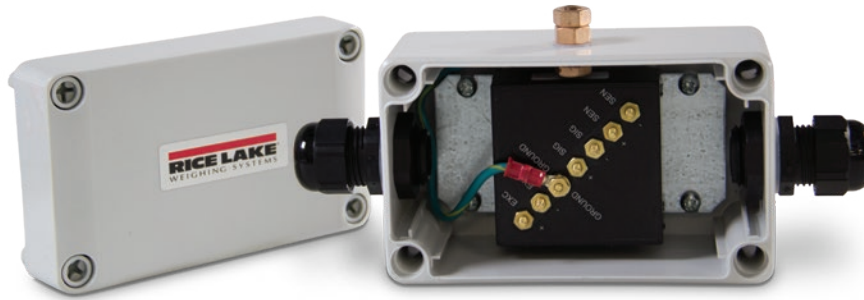
Part #	Description	Price
21135	UJB3T6 DC six-channel load cell transient protector, board only	\$285.00



# TP75 DC

DC Transient Protector

POWER  
CONDITIONING



## Standard Features

- Protects load cells and indicators from voltage transients
- Avalanche diode design
- Full six-wire with shield protection
- NEMA Type 4X enclosure
- Unlimited number of parallel load cells; up to eight in series
- Terminal lugs provided

## Applications

- Tank, bin and hopper scales
- Truck and railroad scales
- Suitable for outdoor use

## Specifications

### Protection Type:

Six-wire type with separate shield

### Maximum Excitation Voltage:

22.8 VDC

### Response Time:

Five nanoseconds

### Peak Surge Currents:

100 amps

### Grounding:

10 AWG wire or larger (not provided)

### Cable Fitting:

Two nylon strain relief for 0.187 to 0.312 in diameter cable

### Enclosure:

Impact-resistant polycarbonate NEMA Type 4X, maximum 40 psi washdown

### Temperature:

Operating:  
-4 °F to 149 °F (-20 °C to 65 °C)

### Dimensions:

(L × W × H)  
3.16 × 2.20 × 1.18 in

### Warranty:

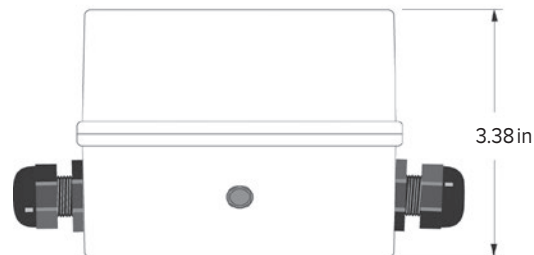
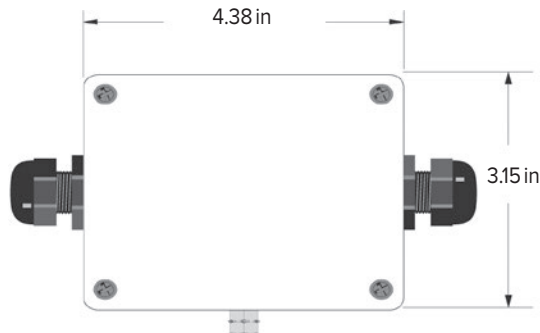
One-year limited

## Part Number/Price

Part #	Description	Est. Weight	Price
33185	TP75, load cell protector and mounting hardware	2 lb	\$335.00

## Options/Accessories

Part #	Description	Price
31164	TP75 DC transient protection, board only, with labels	\$260.00







**Standard Features**

- Two outlets, direct plug-in
- LED indicator for power on
- LED indicator for protection circuitry
- UL1449 listed at 330 volts
- Mounting clamp assures positive connection

**Specifications**

**Clamp Voltage:**  
140 V rms

**Peak Surge Current:**  
6,500 amps

**Clamping Time:**  
Less than five nanoseconds

**Input Voltage:**  
120 VAC

**Maximum Current:**  
15 amps

**Maximum Power:**  
1,875 watts

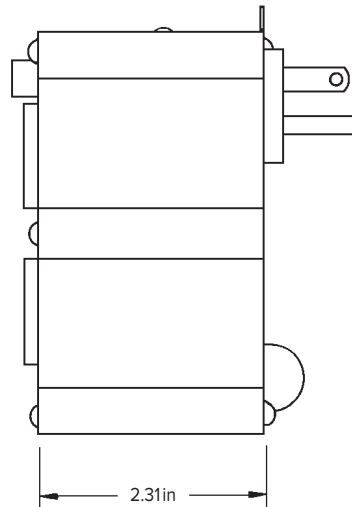
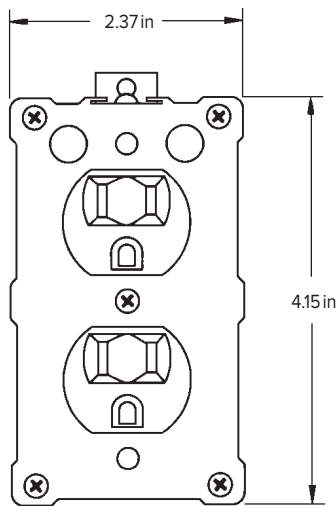
**Noise Suppression:**  
Frequency Attenuation  
50 KHz > 20 db  
150 KHz > 40 db  
1 MHz > 80 db  
> 6 MHz > 30 db

**Dimensions:**  
(L x W x H)  
4.15 x 2.37 x 2.31 in

**Weight:**  
Approximately 1 lb

**Part Number/Price**

Part #	Description	Est. Weight	Price
21145	ISOBLOK® AC two-outlet transient protector	1 lb	\$125.00



# ISOBAR®

AC Transient Protector

POWER  
CONDITIONING



## Standard Features

- Four outlets
- Six-foot cord with grounded three-prong plug
- Lighted on/off switch
- Circuit breaker protected
- Multiple filter design prevents the different components of your system from interfering with each other
- UL1449 listed at 330 volts
- Exclusive isolated filter banks prevent equipment interaction
- ISOBAR cascade circuitry allows you to choose more protection for your most sensitive equipment and a lesser degree of protection for equipment with more tolerance

## Specifications

**Input Voltage:**  
120 VAC

**Maximum Current:**  
15 amps

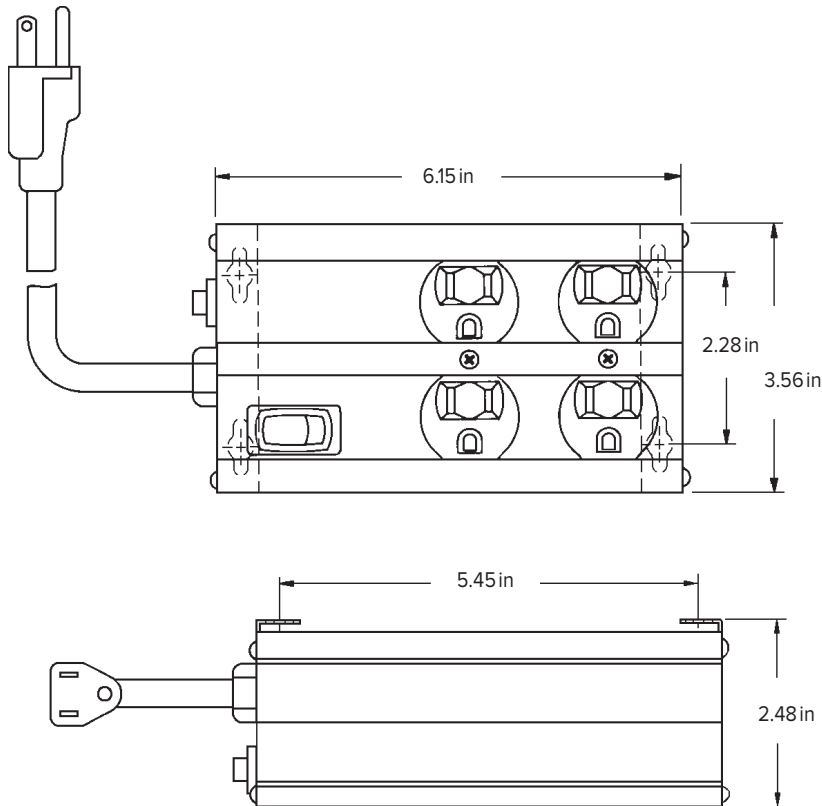
**Maximum Power:**  
1,875 watts

**Noise Suppression:**  
Frequency Attenuation  
50 KHz > 20 db  
150 KHz > 40 db  
1 MHz > 80 db  
> 6 MHz > 30 db

**Dimensions:**  
(L × W × H)  
6.15 × 3.56 × 2.48 in

## Part Number/Price

Part #	Description	Est. Weight	Price
21146	ISOBAR® AC four-outlet transient protector, 115 VAC	2 lb	\$220.00
36663	ISOBAR 230 VAC Euro	3 lb	\$195.00





### Standard Features

- Duplex receptacle
- 20 ft ground cable
- Factory serviceable
- 9 ft cord with three-prong plug
- Plugs into any grounded three-prong outlet
- Indicator light shows protection is secure
- Excellent as a prefilter for voltage regulators
- Reliability and quality top-of-the-line performance
- Shielded line cord for protection against induced transients
- Positive proven protection for scales, computers and printers
- Convenient mounting holes; can be mounted on any surface

### Specifications

**Operating Voltage:**

120 VAC 50/60 Hz, nominal

**Maximum Current:**

10 A rms instantaneous  
7.5 A rms continuous

**Clamping Time:**

Less than three to five nanoseconds

**EMI/RFI Protection:**

13 stages

**Protection Type:**

13-stage filters out both common and normal mode transients

**Grounding:**

20 ft insulated #10 AWG wire provided

**Enclosure:**

Stainless steel

**Operating Temperature:**

14 °F to 104 °F (-10 °C to 40 °C)

**Circuit Board:**

Fiberglass reinforced 4-glass epoxy

**Dimensions:**

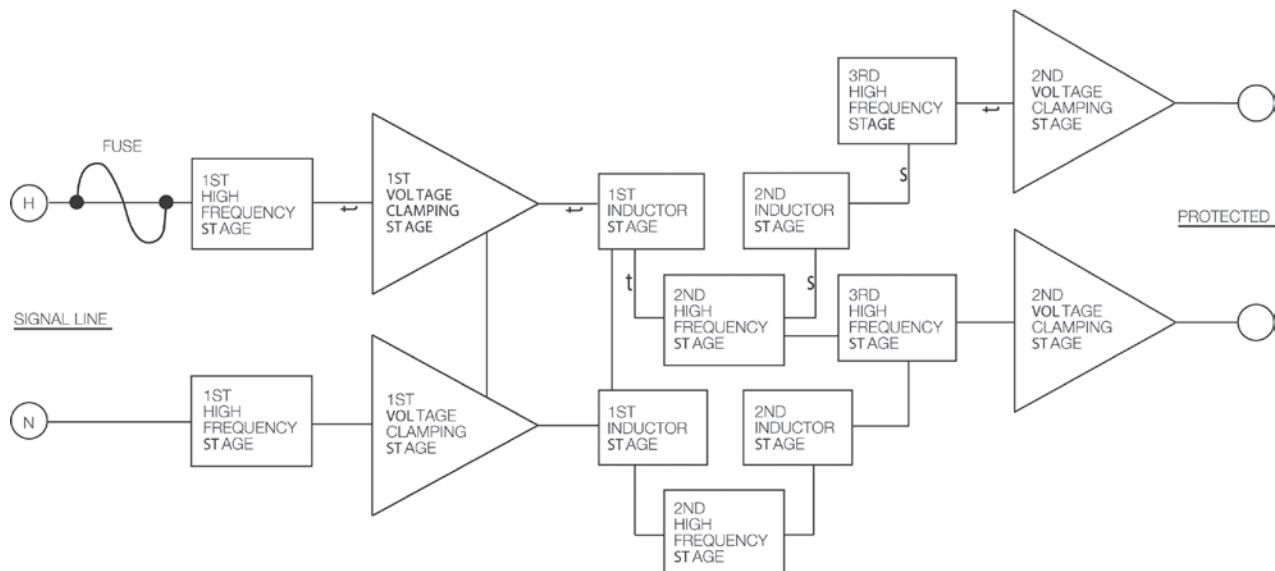
(L × W × H)  
8.00 × 6.00 × 2.50 in

**Warranty:**

One-year limited

### Part Number/Price

Part #	Description	Est. Weight	Price
21136	EL226 AC two-outlet transient protector, 115 VAC	6 lb	\$370.00



# EL225-4

AC Transient Protector

POWER  
CONDITIONING



## Part Number/Price

Part #	Description	Est. Weight	Price
21142	EL225-4 AC transient protector (chassis mount) 115 VAC	1 lb	\$285.00

## Standard Features

- Dedicated series transient protection
- Bidirectional design reduces noise on surrounding lines

## Specifications

### Maximum Current:

2 amps continuous

### Trip Point:

130 VAC rms

### Clamping Time:

Less than five nanoseconds

### EMI/RFI Protection:

Nine stages

### Protection Type:

Nine-stage series type filters out both common and normal mode transients

### Grounding:

20 ft insulated #10 AWG wire provided

### Operating Temperature:

14 °F to 104 °F (-10 °C to 40 °C)

### Dimensions:

(L × W × H)  
4.01 × 2.05 × 2.00 in

### Warranty:

One-year limited

# Sola MCR Series

Power Regulator



## Standard Features

- Automatic overload protection
- Convenient lighted on/off switches
- Available in 70, 150 and 250VA outputs
- Offered in standard 120 volt, 60 Hz models
- Two duplex receptacles allow several pieces of equipment to economically share the same source of regulated power

## Specifications

### Input:

Voltage: 120V  
Input Voltage Range: +10% to -20% of input nominal voltage

### Control:

Lighted Enable Switch

### Output:

Voltage: 120V  
Voltage Regulation: ±3% for an input line variation of +10% to -20%. Output will remain within NEMA voltage specifications for input voltages as low as 65% of nominal. No loss of output for line loss of three milliseconds.  
Harmonic Distortion: Less than 3% total RMS content at full load

### Noise Reduction:

Common mode noise rejection exceeds 120 dB (DC to 1 MHz)  
Transverse mode noise rejection exceeds 60 dB (10 KHz to 1 MHz)

### Protection:

Input: Surge suppression module  
Output: Surge suppression module and ferroresonant technology suppresses ANSI/IEEE C62.41-1980 Class A and B waveforms to safe levels (formerly IEEE 587-1980)

### Efficiency:

90% at full load (typical)

### Reliability:

25-year continuous life, average

### Operating Temperature:

-4 °F to 122 °F (-20 °C to 50 °C)

### Construction:

Cruciform-type construction with precision die-cut shunts, gaps and spacing between windings

### Approvals:

UL listed to UL1012  
CSA certified to CSA C22.2-66

### Dimensions:

(L × W × H)  
9.25 × 6.75 × 6.25 in

### Warranty:

One-year limited

## Approvals



## Part Number/Price

Part #	Description	Est. Weight	Price
21155	Sola MCR 070 regulator 120 VAC power 70 VA power	16 lb	\$825.00
21156	Sola MCR 150 AC power regulator, 150 VA	21 lb	\$1,595.00
21157	Sola MCR 250 AC power regulator, 250 VA	29 lb	\$1,995.00

# Tripp-Lite PV Series

Power Convertor

POWER  
CONDITIONING



## Standard Features

- Two 5-15R outlets
- Convenient on/off switch
- Transistorized and solid state for long life and quiet operation
- Three-foot cord with DC plug

## Specifications

**Input VDC:**  
12V

**Output VAC:**  
120 VAC

**Frequency Hz:**  
60 Hz

**Maximum Output Continuous:**  
375 watts

**Maximum Output Intermittent:**  
375 watts

**Input Amp - No Load:**  
0.65 amps

**Input Amp - Full load:**  
40 amps

**Enclosure:**  
Non-sealed aluminum

**Dimensions:**  
(L x W x H)  
7.00 x 4.25 x 2.00 in

**Warranty:**  
One-year limited

## Part Number/Price

Part #	Description	Est. Weight	Price
79679	PV-375	3 lb	\$225.00

# Tripp-Lite LC1200

Power Regulator



## Standard Features

- Maintains usable 120V nominal output during brownouts as low as 87V and overvoltages as high as 140V
- 1,200 watts output power rating supports heavy 120V loads up to 10 amps
- Network grade surge suppression rated at 1,200 joules
- Complete EMI/RFI noise filtering
- Seven diagnostic LEDs indicate input voltage levels, surge suppression status and line fault conditions
- Four protected NEMA Type 5-15R outlets
- Six-foot AC power cord with standard NEMA 5 - 15P input plug

## Specifications

**Output Wattage (continuous):**  
1,200

**Voltage/Frequency:**  
120/60

**Cordset:**  
6 ft

**AC Receptacles:**  
Four NEMA 5-15R

**LED Indicators:**  
Seven (very high voltage, high voltage, normal voltage, low voltage, very low voltage, line fault, line OK)

**Surge Energy Rating (Joules):**  
1,200

**High Frequency Noise Suppression (@ 1 MHZ):**  
80 dB

**Dimensions:**  
(L x W x H)  
6.75 x 5.75 x 6.75 in

**Warranty:**  
One-year limited

*NOTE: LC models have isolated filter banks. Each duplex outlet pair is filtered from the rest to prevent interference between connected equipment.*

## Part Number/Price

Part #	Description	Est. Weight	Price
70726	LC1200, 120 VAC power regulator	11 lb	\$525.00

# Sola S1K/S3K

Uninterruptible Power Supply (UPS)

POWER  
CONDITIONING



## Standard Features

- Protects against most adverse power conditions, including: frequency variations, surge, noise, blackouts, lightning, spike, brownouts, and over and under voltages
- Data-line surge protection for phone or network included on every unit
- Greater uptime with intelligent power management, full-sequence battery testing and two-level overload protection

## Specifications

**Input Voltage Range (for online operation):**  
115 VAC: +20%/-25%

**Operating Frequency (online):**  
50/60 Hz  $\pm$ 1 Hz auto sensing

**Overload Capacity:**  
120%  $\pm$ 10% (Three minutes on line mode, 10 seconds on battery)

**Maximum Output Continuous:**  
375 watts

**Transfer Time:**  
Four ms typical

**On Battery Voltage:**  
115 VAC: 115 VAC rms  $\pm$ 10%

**Output Voltage Waveform:**  
Step sine wave at 115 V

**Output Protection:**  
Electronically limited

**Input Protection:**  
Circuit breaker

**Recharge Time (to 95% capacity):**  
Four hours

**Lightning & Surge Protection:**  
ANSI/IEEE C62.41 categories A & B, IEC801.4, 801.5

**Safety Certification:**  
115 VAC: UL listed to 1778, designed to meet UL497A, CSA certified to CSAC22.2 No. 1071

**EMI Compliance:**  
115 VAC: FCC Class B

**Data Line Protection:**  
115 VAC: fax/modem, network

**Indicators:**  
Online/utility fail/overload/replace battery

**Audible Alarms:**  
Utility fail/overload/replace battery

**Dimensions:**  
(L x W x H)  
S1K: 5.3 x 3.8 x 12.6 in  
S2K: 8.3 x 5.5 x 17.2 in

**Warranty:**  
Two-year limited

## Approvals



## Part Number/Price

Part #	Model #	Capacity (Va/Watts)	Volts, Frequency In/Out	Typical Backup (Minutes)	Est. Weight	Input Plug/Output Receptacle	Price
110812	520 VA S1K	520	115/115,50/60 Hz	15	12 lb	5-15P(4) 5-15R	\$325.00
203635	1,000 VA S3K	1,000/750	115/115,50/60 Hz	18	39 lb	5-15P(4) 5-15R	\$2,395.00

Note: 230 VAC versions available. Consult factory.

Note: Air around the above units must be free of dust, chemicals or other materials that corrode or contaminate

# Eaton 3S/5S

Uninterruptible Power Supply (UPS)



## Standard Features

- Five outlets with battery back up and surge protection
- Coax surge protection (5S)
- Replaceable battery

## Specifications

**Input Voltage Range (for online operation):**  
89 to 151 VAC (3S)  
93 to 138 VAC (5S)

**Operating Frequency (online):**  
50/60 Hz out sensing

**UPS and Surge Protection:**  
Both models

**Safety Markings:**  
UL, CUL, NOM

**Data Line Protection:**  
Yes

**Indicators:**  
Power, LED

**Alarms:**  
No

**Dimensions:**  
(L x W x H)  
3S: 3.4 x 5.5 x 13.2 in  
5S: 9.8 x 3.4 x 10.2 in

**Warranty:**  
Three-year limited

## Part Number/Price

Part #	Model #	Capacity (Va/Watts)	Volts, Frequency In/Out	Est. Weight	Input Plug/Output Receptacle	Price
154127	Eaton 3S	550/330	120 V	10 lb	NEMA Type 5-15R	\$165.00
154128	Eaton 5S	700/450	120 V	16 lb	NEMA Type 5-15R	\$350.00



# Precision Industrial Weighing

## TABLE OF CONTENTS

### MINEBEA INTEC

<b>Midrics® Series</b> .....	<b>848</b>
<i>Complete Scale</i>	
<b>Midrics 2® Series</b> .....	<b>849</b>
<i>Midrics/Combics System</i>	
<b>Combics 2</b> .....	<b>850</b>
<i>Complete Scale</i>	
<b>Midrics® 1 and 2 Series</b> .....	<b>851</b>
<i>Digital Weight Indicator</i>	
<b>Signum Series</b> .....	<b>852</b>
<i>Complete Scale</i>	
<b>Combics 1</b> .....	<b>854</b>
<i>Digital Weight Indicator</i>	
<b>Combics 2</b> .....	<b>855</b>
<i>Digital Weight Indicator</i>	
<b>Combics 3</b> .....	<b>856</b>
<b>PURO® SmallFlat</b> .....	<b>857</b>
<i>Compact Single Display Scale</i>	
<b>PURO® LargeFlat</b> .....	<b>858</b>
<i>Compact Single Display Scale</i>	
<b>PURO® SmallTall</b> .....	<b>859</b>
<i>Compact Dual Display Scale</i>	
<b>PURO® LargeTall</b> .....	<b>860</b>
<i>Compact Dual Display Scale</i>	
<b>PURO® LargeCount</b> .....	<b>861</b>
<i>Counting Scale</i>	
<b>Combics</b> .....	<b>862</b>
<i>Bench and Floor Platform Scales</i>	
<b>IF Series</b> .....	<b>863</b>
<i>Painted Steel Platform Scale</i>	
<b>IF Series</b> .....	<b>865</b>
<i>Stainless Steel Platform Scale</i>	
<b>IS Series</b> .....	<b>867</b>
<i>Industrial Scale Weighing Platform (not intrinsically safe)</i>	
<b>Signum Ex Supreme, Explosion Proof</b> ....	<b>868</b>
<i>Bench Scale</i>	
<b>Combics 2 Ex, Explosion Proof</b> .....	<b>869</b>
<i>Digital Weight Indicator</i>	
<b>Combics, Explosion Proof</b> .....	<b>870</b>
<i>Bench and Floor Platform Scales</i>	
<b>IF Series, Explosion Proof</b> .....	<b>871</b>
<i>Weighing Platform Scales</i>	
<b>Inteco</b> .....	<b>873</b>
<i>Zinc-Plated Steel Star Mount Kits</i>	
<b>Inteco</b> .....	<b>874</b>
<i>Stainless Steel Star Mount Kits</i>	
<b>PR6202</b> .....	<b>875</b>
<i>Hygienic Weigh Module Kits</i>	
<b>Contego-Hygienic Weigh Module Kits</b> ....	<b>876</b>
<i>Lateral Cable Outlet</i>	
<b>PR5220 Ethernet TCP/IP Transmitter</b> .....	<b>877</b>
<b>PR5230 Fieldbus Transmitter</b> .....	<b>878</b>
<b>DIGI DSX-1000</b> .....	<b>879</b>
<i>High Precision Checkweigher</i>	

Product names, logos, brands and other trademarks featured or referred to within this publication are the property of their respective trademark holders.





### Standard Features

- Four adjustable feet, level indicator on LCE and NCE
- Midrics 2 with 10-key touchpad and application programs
- Midrics 2 application programs - counting, checkweighing, classification, totalizing, net-total formulation, animal weighing, percent weighing, neutral measurement
- Optional accessories: User-installed interface kits, printer, external battery pack, software tools, panel mount kit

### Specifications

**Power Supply:**  
100 to 200 VAC, 50/60 Hz

**Readability:**  
15,000 scale intervals

**Cable Length:**  
3 m (10 ft)

**IP Rating:**  
Painted: IP65  
Stainless steel: IP67/IP68

**Warranty:**  
Two-year limited, pending evaluation

### Part Number/Price

Part #	Minebea Part #	Dimensions	Capacity	Readability	Est. Weight	Price
<b>Mild Steel with MIS2-U</b>						
156428	MW2P1UE-10CC-I	10 × 10 in	15 lb (6 kg)	0.0005 lb (0.0002 kg)	18 lb	\$1,765.00
156429	MW2P1UE-50DD-I	12 × 12 in	60 lb (30 kg)	0.002 lb (0.001 kg)	22 lb	\$1,901.00
156430	MW2P1UE-100EE-I	18 × 18 in	150 lb (60 kg)	0.005 lb (0.002 kg)	63 lb	\$2,418.00
156431	MW2P1URE-250GG-I	24 × 24 in	300 lb (150 kg)	0.01 lb (0.005 kg)	118 lb	\$4,382.00
<b>Stainless Steel with MIS2-U</b>						
156432	MW2S1UE-10CC-I	10 × 10 in	15 lb (6 kg)	0.0005 lb (0.0002 kg)	18 lb	\$2,459.00
156433	MW2S1UE-50DD-I	12 × 12 in	60 lb (30 kg)	0.002 lb (0.001 kg)	22 lb	\$2,352.00
156434	MW2S1UE-100EE-I	18 × 18 in	150 lb (60 kg)	0.005 lb (0.002 kg)	63 lb	\$2,816.00
156435	MW2S4URE-250GG-I	24 × 24 in	300 lb (150 kg)	0.01 lb (0.005 kg)	118 lb	\$7,185.00

### Options/Accessories

Part #	Minebea Part #	Description	Price
156440	YDH01CWSUS	Post mount assembly for 10 × 10 in platforms, 13 in high	\$315.00
156441	YDH02CWSUS	Post mount assembly for 12 × 12 in platforms, 19 in high	\$326.00
156442	YDH03CWSUS	Post mount assembly for 18 × 18 in platforms, 29 in high	\$384.00
193048	YDC01SW	Indicator dust cover pack of two	\$105.00

PRECISION INDUSTRIAL WEIGHING



Shown with optional post mount assembly

**Application Note:**

Counting, checkweighing, differential weighing, percentage weighing, gross-net-tare, sorting, net-total, animal weighing, averaging, totalizing

**Standard Features**

- Amber backlit LCD display, 0.8 in, 13 segment
- External calibration routine
- RS-232C
- Numeric keypad (with two IDs) for entering identifier codes and preset tares
- Info key for quick and easy display of tare input and ID codes
- Date/time fully integrated
- Three built-in LED checkweighing lights
- Bar graph weighing range indicator
- Optional bar code scanner for preset tare, reference weight and ID entry
- Stored customer -specific data records
- Two scale connections, analog or digital

**Specifications**

**Supply Voltage:**  
9V

**Power Requirements:**  
120 to 240 VAC, 17 W/23 VA maximum

**Indicator Housing:**  
AISI 304 stainless steel

**Indicator Dimensions:**  
(L x W x H)  
11.9 x 7.4 x 3.5 in  
(302.3 x 188 x 89 mm)

**Operating Temperature:**  
14 °F to 104 °F (-10 °C to 40 °C)

**Cable Length:**  
3 m (10 ft)

**Warranty:**  
Two-year limited, pending evaluation

**Part Number/Price**

Part #	Minebea Part #	Dimensions	Capacity	Readability	Est. Weight	Price
<b>Mild Steel with CAISL2-U</b>						
156409	CAW2P1U-10CC-I	10 x 10 in	15 lb (6 kg)	0.0005 lb (0.0002 kg)	20 lb	\$2,384.00
156414	CAW2P1U-50DD-I	12 x 12 in	60 lb (30 kg)	0.002 lb (0.001 kg)	24 lb	\$2,421.00
156420	CAW2P1U-100EE-I	18 x 18 in	150 lb (60 kg)	0.005 lb (0.002 kg)	65 lb	\$2,780.00
156423	CAW2P1U-250GG-I	24 x 24 in	300 lb (150 kg)	0.01 lb (0.005 kg)	120 lb	\$4,554.00
<b>Stainless Steel with CAIS2-U</b>						
156424	CAW2S1U-10CC-I	10 x 10 in	15 lb (6 kg)	0.0005 lb (0.0002 kg)	22 lb	\$2,965.00
156425	CAW2S1U-50DD-I	12 x 12 in	60 lb (30 kg)	0.002 lb (0.001 kg)	30 lb	\$3,145.00
156426	CAW2S1U-100EE-I	18 x 18 in	150 lb (60 kg)	0.005 lb (0.002 kg)	68 lb	\$3,832.00
156427	CAW2S4UR-250GG-I	24 x 24 in	300 lb (150 kg)	0.01 lb (0.005 kg)	127 lb	\$7,221.00

CAW2P are an IP65 mild steel base with an IP44 indicator  
 CAW2S are an IP67 stainless steel base with an IP69K indicator

**Options/Accessories**

Part #	Minebea Part #	Description	Price
156440	YDH01CWSUS	Post mount assembly for 10 x 10 in platforms, 13 in high	\$315.00
156441	YDH02CWSUS	Post mount assembly for 12 x 12 in platforms, 19 in high	\$326.00
156442	YDH03CWSUS	Post mount assembly for 18 x 18 in platforms, 29 in high	\$384.00
171727	YDH12CWSUS	Bench mount bracket	\$155.00
105607	YDH02CISUS	Tilttable wall mount bracket	\$116.00
Consult	69CW0126	Power supply	Consult



### Standard Features

- Backlit 14-segment, 20 mm LCD display
- Wall-mount bracket
- Time and date
- RS-232 and clock (V1 and V2 models only)
- Midrics 2 additional feature
  - Numerical keyboard
- Applications
  - Weighing
  - Counting
  - Checkweighing
  - Sorting (3 or 5 classes)
  - Totalizing
  - Net-total
  - Animal weighing
  - Weighing in percent
  - Neutral measurement

### Part Number/Price

Part #	Minebea Part #	Description	Price
155855	MIS1UR-V1	Midrics 1, wall bracket (table top versions with U bracket)	\$785.00
155857	MIS1U-L9	Midrics 1, wall bracket, internal battery pack	\$1,318.00
155856	MIS2UR-V2	Midrics 2, wall bracket (table top versions with U bracket)	\$885.00
155859	MIS2U-L9	Midrics 2, wall bracket, internal battery pack	\$1,462.00

### Options/Accessories

Part #	Minebea Part #	Description	Price
155860	YD001M-232CLK	Replacement RS-232 interface and clock	\$276.00
103044	YDA01M-20MA	Analog current output, 0-20 mA, 4-20 mA, 0-10 V (16-bit)	\$544.00
155805	YCC01-USBM2	Connecting cable from RS-232 to USB connector, 2 m	\$191.00
155806	YCC02-D25F6	Connecting cable for accessories 25-Pin D-SUB female	\$312.00
Consult	YAS03-M1	Panel mount option	Consult
193048	YDC01SW	Dust cover pack of two	\$105.00
171727	YDH12CWSUS	Bracket, bench mount for DC, ED, and FE	\$155.00

### Options

- 4-20 mA

### Specifications

#### Load Cell Connection:

Excitation voltage 8.4V  
 4 or 6 conductor

#### Power Requirements:

100 to 240 VAC (-15/10) 50/60 Hz, Max 17 W/23 VA

#### Power Cord:

3 m (10 ft)

#### Housing:

304 stainless steel enclosure

#### Dimensions:

(L × W × H)  
 9.37 × 6.50 × 3.70 in  
 (238 × 165 × 94 mm)

#### Operating Temperature:

14 °F to 104 °F (-10 °C to 40 °C)

#### IP Rating:

IP65

#### Net Weight:

5 lb (2.3 kg)

#### Warranty:

Two-year limited, pending evaluation

#### Approvals:

NTEP Class III

PRECISION  
INDUSTRIAL WEIGHING



PRECISION  
INDUSTRIAL WEIGHING

## Standard Features

- Compact scale built as custom
- Painted steel frame with a stainless steel cover
- Available in three indicator models: 6, 14 or 28 keys
- Available in three weighing technologies - load cell, mechatronic or monolithic
- Resolution 35,000 d to 350,000 d
- Built-in motorized calibration weight (Signum Supreme)
- RS-232 output

## Specifications

### Platform Size:

13.8 × 9.5 in (351 × 241 mm)

### Power:

Multi-range, 110 to 240 V

### Operating Temperature:

14 °F to 104 °F (-10 °C to 40 °C)

### Measurement Technology:

SIWRDCP-Load cell signum regular  
SIWADCP-Mechatronic cell-advanced  
SIWSDCP-Monolithic-supreme

### IP Rating:

IP65

### Cable Length:

Display: 6 ft (1.83 m) approximately

### Warranty:

Two-year limited, pending evaluation

Weighing Technology	Indicator Options	Capacity	Readability	Included
SIWRDCP (Load Cell)	Applications level 1 - Tare, Zero, Weight Toggle OR Application level 3 - Tare, Zero, Counting, Checkweighing, IDs	3, 6, 15, 35, and 60 kg	30,000 d	IP65, RS-232, detachable display
SIWADCP (Temperature Compensated Load Cell)		7, 16, 35 and 65 kg	70,000 d	IP65, RS-232
SIWSDCP (Monolithic)		6, 16 and 35 kg	160,000 d to 600,000 d	IP65, RS-232, detachable display



Part Number/Price

Part #	Minebea Part #	Dimensions	# Load Cells	Application Level	Capacity	Readability	Est. Weight	Price
103665	SIWADCP-V3	13.7 × 9.5 in	1	1	7 kg	0.1 g	29 lb	\$2,838.00
103666	SIWADCP-V4	13.7 × 9.5 in	1	3	7 kg	0.1 g	29 lb	\$3,624.00
105853	SIWADCP-V5	13.7 × 9.5 in	1	3	35 kg	0.5 g	29 lb	\$3,672.00
105854	SIWADCP-V6	13.7 × 9.5 in	1	3	65 kg	1 g	29 lb	\$3,689.00
105855	SIWRDCP-V6	13.7 × 9.5 in	1	1	3 kg	0.1 g	29 lb	\$2,096.00
103657	SIWRDCP-V7	13.7 × 9.5 in	1	1	6 kg	0.2 g	29 lb	\$2,119.00
103658	SIWRDCP-V8	13.7 × 9.5 in	1	1	15 kg	0.5 g	29 lb	\$2,138.00
103659	SIWRDCP-V9	13.7 × 9.5 in	1	1	35 kg	1 g	29 lb	\$2,161.00
103660	SIWRDCP-V10	13.7 × 9.5 in	1	1	60 kg	2 g	29 lb	\$2,135.00
151372	SIWSBBP-V16	7.1 × 7.1 in	1	1	3 kg	0.01 g	16.5 lb	\$5,367.00
151373	SIWSBBP-V17	7.1 × 7.1 in	1	1	6 kg	0.01 g	16.5 lb	\$6,480.00
151374	SIWSDCP-V18	13.7 × 9.5 in	1	1	16 kg	0.1 g	29 lb	\$6,360.00
151375	SIWSDCP-V19	13.7 × 9.5 in	1	1	35 kg	0.1 g	29 lb	\$6,937.00
151376	SIWRDCP-V20	13.7 × 9.5 in	1	3	6 kg	0.2 g	29 lb	\$2,910.00
151377	SIWRDCP-V21	13.7 × 9.5 in	1	3	15 kg	0.5 g	29 lb	\$2,930.00
151378	SIWRDCP-V22	13.7 × 9.5 in	1	3	35 kg	1 g	29 lb	\$2,950.00
151379	SIWRDCP-V23	13.7 × 9.5 in	1	3	60 kg	2 g	29 lb	\$2,970.00
151410	SIWADCP-V24	13.7 × 9.5 in	1	1	16 kg	0.2 g	29 lb	\$2,860.00
151411	SIWADCP-V25	13.7 × 9.5 in	1	1	35 kg	0.5 g	29 lb	\$2,890.00

PRECISION  
INDUSTRIAL WEIGHING

Options/Accessories

Part #	Minebea Part #	Description	Price
36907	YDP21	Data printer, statistics and T/D functions, 5 ft cable (requires 83248)	\$1,440.00
31106	6906918	Ribbon	\$100.00
31103	6906937	Paper	\$76.00
83248	YCC01-0016M3	Cable, 9.8 ft, 12-Pin round to 25 D-Sub female	\$480.00
105607	YDH02CISUS	Wall mount bracket	\$116.00
153218	YDH01P	Column for DC platforms, 19 in	\$670.00
155884	YDH02P	Column to BBP	\$731.00
155804	YCC05-001M5	RS-232 cable, 25-Pin D-sub male to 9/25-Pin D-sub female	\$152.00
193048	YDC01SW	Dust cover pack of two	\$105.00
194664	YD001CS-ETH	Ethernet option (for DCP & EDG models only)	\$955.00
199894	YD003SW-ETH	Ethernet option (for BBP models only)	\$881.00
Consult	69CW0126	Power cord	Consult



**Application Note:**

Combics 1 indicator is designed for use with both Combics, IF and IS series platforms. However, various accessories may differ and are application dependent.

**Part Number/Price**

Part #	Minebea Part #	Description	Est. Weight	Price
102396	CAISL1-U	IP44 protection rated	7.5 lb	\$1,369.00
102398	CAIS1-U	IP69K protection rated	7.5 lb	\$1,840.00
115668	CAISL1-UV1	IP44, controller for IS base	7.5 lb	\$1,919.00
115671	CAIS1-UV1	IP69K, controller for IS base	7.5 lb	\$2,208.00

**Options/Accessories**

Part #	Minebea Part #	Description	Price
105607	YDH02CISUS	Wall mount bracket	\$116.00
171727	YDH12CWSUS	Bench mount bracket	\$155.00
156440	YDH01CWSUS	Post mount assembly for 10 × 10 in platforms, 13 in high	\$315.00
156441	YDH02CWSUS	Post mount assembly for 12 × 12 in platforms, 19 in high	\$326.00
156442	YDH03CWSUS	Post mount assembly for 18 × 18 in platforms, 29 in high	\$384.00
103049	YAS02MI	24 V industrial power supply	\$237.00
162640	YDO02C-ETH	Ethernet TCP/IP	\$1,050.00
155826	YDO02C-AO	Analog output, 0-20 mA, 4-20 mA, 0-10 V	\$1,050.00
193049	YDC01CI	Dust cover pack of two	\$100.00
<b>Cables</b>			
155804	YCC05-001M2	RS-232 9/25-Pin D-Sub female, 1.5 m, IP44	\$152.00
155805	YCC01-USBM2	RS-232 to USB connector, 2 m IP44	\$191.00
155806	YCC02-D25F6	RS-232 open to 25 D-Sub female	\$312.00

**Standard Features**

- Amber backlit LCD display, 0.8 in
- External calibration routine
- RS-232C
- On/Off, Zero, Tare, Print/Data keys
- Function keys for: Gross/net toggle; three-way unit toggle; 10X higher resolution toggle
- Automatic tare feature
- One scale connection

**Specifications**

**Load Cell Connection:**  
 4 or 6 wire

**Excitation Voltage:**  
 9V

**Power Requirements:**  
 120 to 240 VAC, 17 W/23 VA maximum

**Housing:**  
 AISI 304 stainless steel

**Dimensions:**  
 (L × W × H)  
 11.9 × 7.4 × 3.5 in  
 (302 × 188 × 90 mm)

**Operating Temperature:**  
 14 °F to 104 °F (-10 °C to 40 °C)

**IP Rating:**  
 IP44, IP69K

**Net Weight:**  
 5 lb (2.3 kg)

**Warranty:**  
 Two-year limited, pending evaluation

PRECISION INDUSTRIAL WEIGHING



**Application Note:**

Combics 2 and Combics 3 indicators are designed for use with both Combics, IF and IS series platforms. However, various accessories may differ and are application dependent.

Applications Software Pre-installed:

Counting, checkweighing, differential weighing, percentage weighing, gross-net-tare, sorting, net-total, animal weighing, averaging, totalizing

**Part Number/Price**

Part #	Minebea Part #	Description	Est. Weight	Price
102402	CAISL2-U	IP44 protection rated	7.5 lb	\$1,706.00
102404	CAIS2-U	IP69K protection rated	7.5 lb	\$2,180.00
115670	CAISL2-UV1	IP44, controller for IS base	7.5 lb	\$2,233.00
115673	CAIS2-UV1	IP69K, controller for IS base	7.5 lb	\$2,639.00

**Options/Accessories**

Part #	Minebea Part #	Description	Price
105607	YDH02CISUS	Wall mount bracket	\$116.00
171727	YDH12CWSUS	Bench mount bracket	\$155.00
156440	YDH01CWSUS	Post mount assembly for 10 × 10 in platforms, 13 in high	\$315.00
156441	YDH02CWSUS	Post mount assembly for 12 × 12 in platforms, 19 in high	\$326.00
156442	YDH03CWSUS	Post mount assembly for 18 × 18 in platforms, 29 in high	\$384.00
103049	YAS02MI	24 V industrial power supply	\$237.00
162640	YDO02C-ETH	Ethernet TCP/IP	\$1,050.00
155826	YDO02C-A0	Analog output, 0-20 mA, 4-20 mA, 0-10 V	\$1,050.00
193049	YDC01CI	Dust cover pack of two	\$100.00
<b>Cables</b>			
155804	YCC05-001M2	RS-232 9/25-Pin D-Sub female, 1.5 m, IP44	\$152.00
155805	YCC01-USBM2	RS-232 to USB connector, 2 m IP44	\$191.00
155806	YCC02-D25F6	RS-232 open to 25 D-Sub female	\$312.00

**Standard Features**

- Amber backlit LCD display, 0.8 in, 13-segment
- External calibration routine
- RS-232C
- On/Off, Zero, Tare, Print/Data keys
- Function keys for: Gross/net toggle; three-way unit toggle; 10X higher resolution toggle
- Numeric keypad with two IDs for entering identifier codes and preset tare
- Info key for quick and easy display of tare input and ID codes
- Date/time fully integrated
- GMP compliant printable record
- NICE Label Express FlexiPrint compatible
- Platform toggling and four function keys
- Three built-in LED checkweighing lights
- Bar graph weighing range indicator
- Application data and totalization memory stored in battery-backed RAM
- Optional bar code scanner for preset tare, reference weight and ID entry
- Stored customer-specific data records
- Optional two scale connections, analog or digital

**Specifications**

**Load Cell Connection:**

4 or 6 wire

**Excitation Voltage:**

9 V

**Power Requirements:**

120 to 240 VAC, 17 W/23 VA maximum

**Housing:**

AISI 304 stainless steel

**Dimensions:**

(L × W × H)  
 11.9 × 7.4 × 3.5 in  
 (302 × 188 × 90 mm)

**Operating Temperature:**

14 °F to 104 °F (-10 °C to 40 °C)

**IP Rating:**

IP44, IP69K

**Net Weight:**

5 lb (2.3 kg)

**Warranty:**

Two-year limited, pending evaluation

PRECISION INDUSTRIAL WEIGHING

Combics 2 and Combics 3 indicators are designed for use with both Combics, IF and IS series platforms. However, various accessories may differ and are application dependent.

Applications Software Pre-installed:

Counting, checkweighing, differential weighing, percentage weighing, gross-net-tare, sorting, net-total, animal weighing

Custom Applications Packages:

Single component batching BASIC  
 Single component batching PRO



## Standard Features

- IP protection rating (IP44, IP69K)
- Amber backlit LCD display
- On/Off Zero, Tare, Print/Data keys
- Function keys for: Gross/net toggle; three-way unit toggle; 10X higher resolution toggle
- Keypad with two IDs for entering identifier codes and preset tare
- Info key for quick and easy display of tare input and ID codes
- Date/time fully integrated
- GMP/GLP printable record
- Platform toggling and four function keys
- Three built-in LED checkweighing lights
- Bar graph weighing range indicator
- Application data and totalization memory stored in battery-backed RAM
- Optional bar code scanner for preset tare, reference weight and ID entry
- Stored customer-specific data records
- Key for toggling between weighing applications, and five soft keys with text-supported user guidance
- Input functions for entering up to four alphanumeric ID texts

## Part Number/Price

Part #	Minebea Part #	Description	Est. Weight	Price
102405	CAISL3-U	IP44 protection rated	7.5 lb	\$2,273.00
Consult	CAISL3-UV1	IP44, controller for IS base	7.5 lb	\$2,207.00
102407	CAIS3-U	IP69K protection rated	7.5 lb	\$2,740.00
115674	CAIS3-UV1	IP69K, controller for IS base	7.5 lb	\$3,146.00

## Options/Accessories

Part #	Minebea Part #	Description	Price
105607	YDH02CISUS	Wall mount bracket	\$116.00
171727	YDH12CWSUS	Bench mount bracket	\$155.00
156440	YDH01CWSUS	Post mount assembly for 10 × 10 in platforms, 13 in high	\$315.00
156441	YDH02CWSUS	Post mount assembly for 12 × 12 in platforms, 19 in high	\$326.00
156442	YDH03CWSUS	Post mount assembly for 18 × 18 in platforms, 29 in high	\$384.00
103049	YAS02MI	2 V industrial power supply	\$237.00
155826	YDO02C-A0	Analog output, 0-20 mA, 4-20 mA, 0-10 V	\$1,050.00
162640	YDO02C-ETH	Ethernet TCP-IP	\$1,050.00
193049	YDC01CI	Dust cover pack of two	\$100.00
<b>Cables</b>			
155804	YCC05-001M2	RS-232 9/25-Pin D-Sub female, 1.5 m, IP44	\$152.00
155805	YCC01-USBM2	RS-232 to USB connector, 2 m IP44	\$191.00
155806	YCC02-D25F6	RS-232 open to 25 D-Sub female	\$312.00

## Specifications

### Load Cell Connection:

4 or 6 wire

### Supply Voltage:

9V

### Power Requirements:

120 to 240 VAC, 17 W/23 VA maximum

### Housing:

AISI 304 stainless steel

### Dimensions:

(L × W × H)  
 11.9 × 7.4 × 3.5 in  
 (302 × 188 × 90 mm)

### Operating Temperature:

14 °F to 104 °F (-10 °C to 40 °C)

### Net Weight:

5 lb (2.3 kg)

### Warranty:

Two-year limited, pending evaluation



### Standard Features

- Large, bright LED display
- Traffic light function
- Built-in USB-C and USB-A
- Three LED (yellow, green, red) indicator lights with configurable operation and alert beeper

### Specifications

**Power:**

100 to 240V, 50/60 Hz AC adapter  
 Internal battery, rechargeable lithium battery

**Battery Operation Time:**

Up to 500 hours continuous use between recharges with 12 hour recharge time

**Rating/Material:**

ABS housing/stainless steel 304 load plate, IP43

**Display:**

LCD, up to 1.4 in (35 mm), six-digit, 14-segment, white backlight

**Operating Temperature:**

14 °F to 104 °F (-10 °C to 40 °C)

**Warranty:**

Two-year limited, pending evaluation

### Part Number/Price

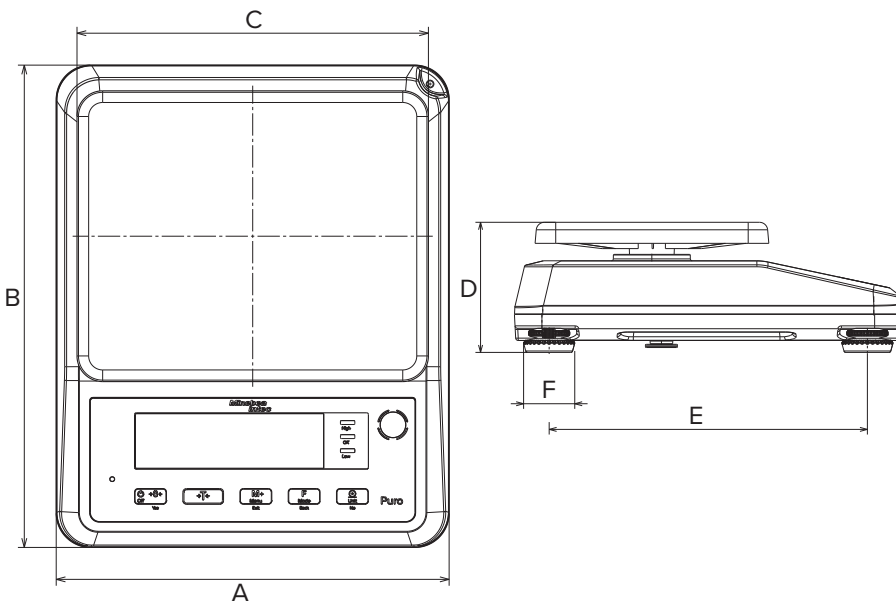
Part #	Minebea Part #	Description	Price
218574	EF-SF2-P1	3 × 0.0001 lb (1.5 × 0.00005 kg)	\$450.00
218575	EF-SF2-P3	6 × 0.0002 lb (3 × 0.0001 kg)	\$450.00
218576	EF-SF2-P6	15 × 0.0005 lb (6 × 0.0002 kg)	\$450.00
218577	EF-SF2-P15	30 × 0.001 lb (15 × 0.0005 kg)	\$450.00
218578	EF-SF2-P30	60 × 0.002 lb (30 × 0.001 kg)	\$450.00

### Options/Accessories

Part #	Description	Price
218599	Replacement power adapter	\$87.00

### Dimensions

SmallFlat			
A	9.69 in (246 mm)	D	3.99 in (101 mm)
B	11.90 in (302 mm)	E	9.76 in (248 mm)
C	8.67 in (220 mm)	F	1.57 in (Ø40 mm)



PRECISION INDUSTRIAL WEIGHING

# PURO® LargeFlat

Compact Single Display Scale



PRECISION  
INDUSTRIAL WEIGHING

## Standard Features

- Large, bright LED display
- Traffic light function
- Built-in RS-232, USB-C and USB-A
- Three LED (yellow, green, red) indicator lights with configurable operation and alert beeper
- Smart connectivity and application packages

## Specifications

**Power:**

100 to 240V, 50/60 Hz AC adapter  
Internal battery, rechargeable lithium battery

**Battery Operation Time:**

Up to 500 hours continuous use between recharges with 12 hour recharge time

**Rating/Material:**

ABS housing/stainless steel 304 load plate, IP43

**Display:**

LCD, up to 1.4 in (35 mm), six-digit, 14-segment, white backlight

**Operating Temperature:**

14 °F to 104 °F (-10 °C to 40 °C)

**Warranty:**

Two-year limited, pending evaluation

## Part Number/Price

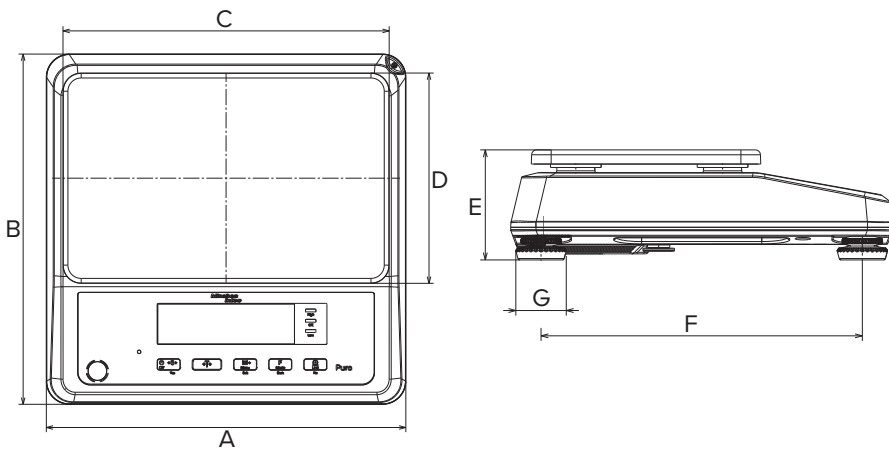
Part #	Minebea Part #	Description	Price
218579	EF-LF2-P1	3 × 0.0001 lb (1.5 × 0.00005 kg)	\$632.00
218580	EF-LF2-P3	6 × 0.0002 lb (3 × 0.0001 kg)	\$632.00
218581	EF-LF2-P6	15 × 0.0005 lb (6 × 0.0002 kg)	\$632.00
218582	EF-LF2-P15	30 × 0.001 lb (15 × 0.0005 kg)	\$632.00
218583	EF-LF2-P30	60 × 0.002 lb (30 × 0.001 kg)	\$632.00

## Options/Accessories

Part #	Description	Price
218599	Replacement power adapter	\$87.00

## Dimensions

LargeFlat			
A	12.21 in (310 mm)	E	3.43 in (87 mm)
B	11.90 in (302 mm)	F	10.00 in (254 mm)
C	11.08 in (281 mm)	G	1.57 in (Ø40 mm)
D	7.14 in (181 mm)		







### Standard Features

- Large front and rear display
- Traffic light function
- Battery powered
- Built-in USB-C and USB-A

### Specifications

**Power:**

100 to 240V, 50/60 Hz AC adapter  
 Internal battery, rechargeable lithium battery

**Battery Operation Time:**

Up to 500 hours continuous use between recharges with 12 hour recharge time

**Rating/Material:**

ABS housing/stainless steel 304 load plate, IP43

**Display:**

Front and rear LCD, up to 1.4 in (35 mm), six-digit, 14-segment, white backlight

**Operating Temperature:**

14 °F to 104 °F (-10 °C to 40 °C)

**Warranty:**

Two-year limited, pending evaluation

### Part Number/Price

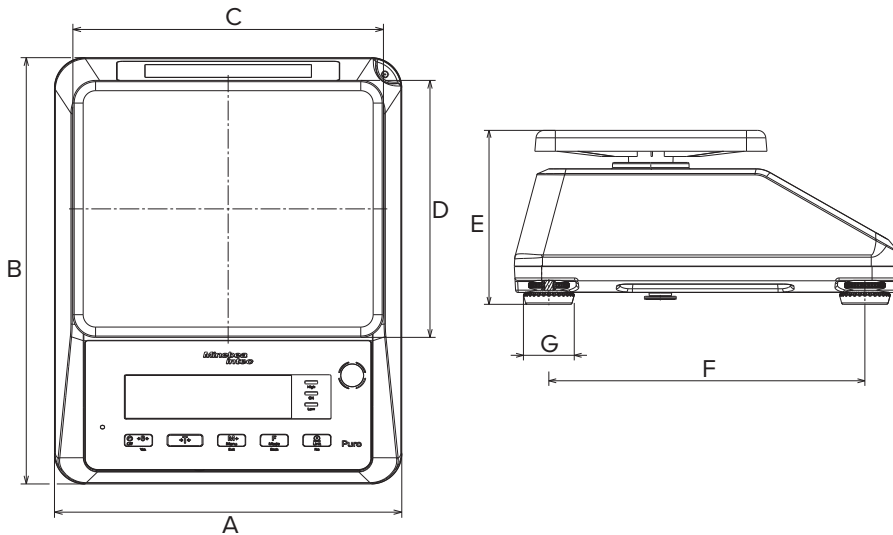
Part #	Minebea PN	Description	Price
218584	EF-ST2-P1	3 × 0.0001 lb (1.5 × 0.00005 kg)	\$542.00
218585	EF-ST2-P3	6 × 0.0002 lb (3 × 0.0001 kg)	\$542.00
218586	EF-ST2-P6	15 × 0.0005 lb (6 × 0.0002 kg)	\$542.00
218587	EF-ST2-P15	30 × 0.001 lb (15 × 0.0005 kg)	\$542.00
218588	EF-ST2-P30	60 × 0.002 lb (30 × 0.001 kg)	\$542.00

### Options/Accessories

Part #	Description	Price
218599	Replacement power adapter	\$87.00

### Dimensions

SmallTall	
A	9.69 in (246 mm)
B	11.90 in (302 mm)
C	8.67 in (220 mm)
D	7.17 in (182 mm)
E	5.43 in (138 mm)
F	9.76 in (248 mm)
G	1.57 in (Ø40 mm)



PRECISION INDUSTRIAL WEIGHING

**PRECISION  
 INDUSTRIAL WEIGHING**



### Standard Features

- Large front and rear display
- Traffic light function
- Battery powered
- Built-in USB-C

### Specifications

- Power:**  
 100 to 240V, 50/60 Hz AC adapter  
 Internal battery, rechargeable lithium battery
- Battery Operation Time:**  
 Up to 500 hours continuous use between recharges with 12 hour recharge time
- Rating/Material:**  
 ABS housing/stainless steel 304 load plate, IP43
- Display:**  
 Front and rear LCD, up to 1.4 in (35 mm), six-digit, 14-segment, white backlight
- Operating Temperature:**  
 14 °F to 104 °F (-10 °C to 40 °C)
- Warranty:**  
 Two-year limited, pending evaluation

### Part Number/Price

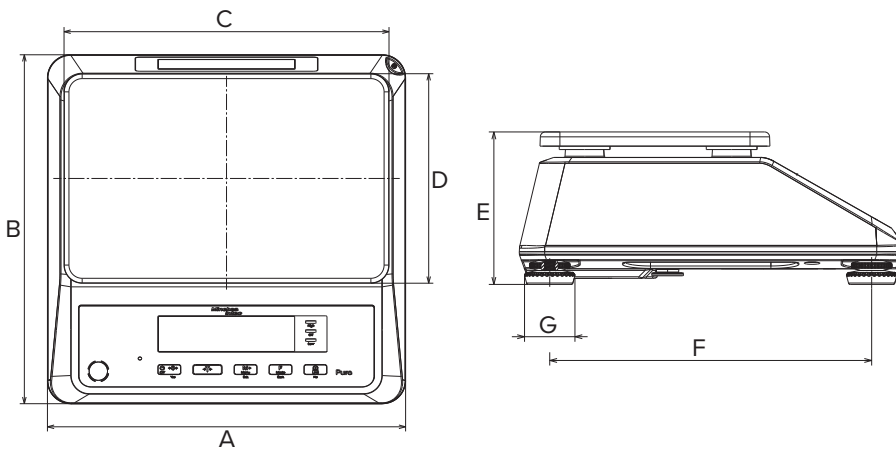
Part #	Minebea Part #	Description	Price
218589	EF-LT2-P1	3 × 0.0001 lb (1.5 × 0.00005 kg)	\$697.00
218590	EF-LT2-P3	6 × 0.0002 lb (3 × 0.0001 kg)	\$697.00
218591	EF-LT2-P6	15 × 0.0005 lb (6 × 0.0002 kg)	\$697.00
218592	EF-LT2-P15	30 × 0.001 lb (15 × 0.0005 kg)	\$697.00
218593	EF-LT2-P30	60 × 0.002 lb (30 × 0.001 kg)	\$697.00

### Options/Accessories

Part #	Description	Price
218599	Replacement power adapter	\$87.00

### Dimensions

LargeTall			
A	12.21 in (310 mm)	E	4.76 in (121 mm)
B	11.90 in (302 mm)	F	10.00 in (254 mm)
C	11.08 in (281 mm)	G	1.57 in (Ø40 mm)
D	7.14 in (181 mm)		





### Standard Features

- Three large front displays
- Traffic light function
- Battery powered
- Easy charging via USB-C
- Built-in second ADC

### Specifications

**Power:**

100 to 240V, 50/60 Hz AC adapter  
 Internal battery, rechargeable lithium battery

**Battery Operation Time:**

Up to 500 hours continuous use between recharges with 12 hour recharge time

**Rating/Material:**

ABS housing/stainless steel 304 load plate, IP43

**Display:**

Three windows, LCD, up to 1.4 in (35 mm), six-digit, 14-segment, white backlight

**Operating Temperature:**

14 °F to 104 °F (-10 °C to 40 °C)

**Warranty:**

Two-year limited, pending evaluation

PRECISION  
INDUSTRIAL WEIGHING

### Part Number/Price

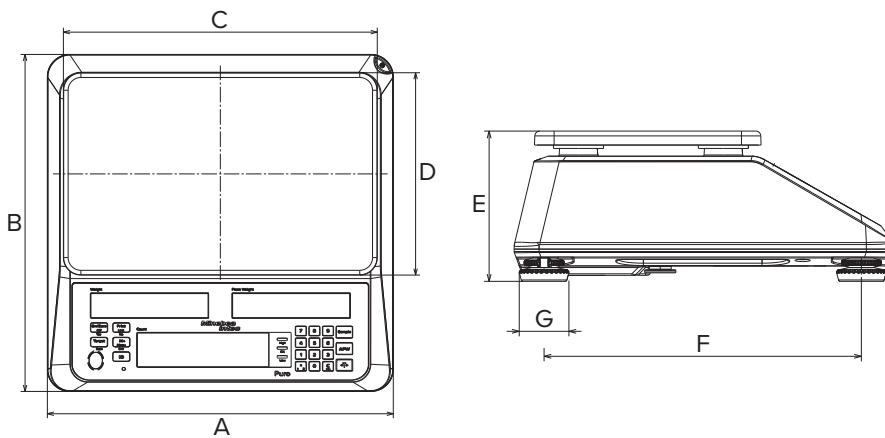
Part #	Minebea Part #	Description	Price
218594	EF-LT-3-P1	3 × 0.0001 lb (1.5 × 0.00005 kg)	\$749.00
218595	EF-LT-3-P3	6 × 0.0002 lb (3 × 0.0001 kg)	\$749.00
218596	EF-LT-3-P6	15 × 0.0005 lb (6 × 0.0002 kg)	\$749.00
218597	EF-LT-3-P15	30 × 0.001 lb (15 × 0.0005 kg)	\$749.00
218598	EF-LT-3-P30	60 × 0.002 lb (30 × 0.001 kg)	\$749.00

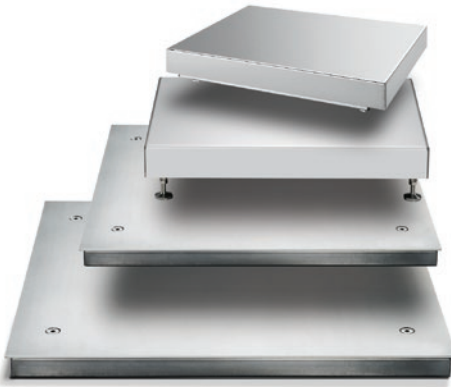
### Options/Accessories

Part #	Description	Price
218599	Replacement power adapter	\$87.00

### Dimensions

LargeCount	
A 12.21 in (310 mm)	E 4.74 in (120 mm)
B 11.90 in (302 mm)	F 10.00 in (254 mm)
C 11.08 in (281 mm)	G 1.57 in (Ø40 mm)
D 7.14 in (181 mm)	





### Standard Features

- One or four load cells (as noted)
- NTEP Certified (up to 5,000e) and capable of up to 30,000d for Non-NTEP
- Compatible with all Rice Lake and Combics indicators (30,000d not guaranteed with Rice Lake instrumentation)

### Optional Configurations

- Complete selection of pit frames for flush mounting available
- R2 - electropolished 316T, stainless steel
- T1 - pressure lift system (only available for II platforms and larger)
- Drive-on ramps
- Pit frame
- Mild steel painted or 304 stainless steel
- 304 stainless steel platters

### Specifications

**Cable Length:**

10 ft/3 m-up to 1,000 lb 30 × 30 in  
20 ft/6 m 1,000 lb and above 36 × 36 in

**Operating Temperature:**

14 °F to 104 °F (-10 °C to 40 °C)

**Height:**

Adjustable feet

**Warranty:**

Two-year limited, pending evaluation

### Part Number/Price

Part #	Minebea Part #	Dimensions	Foot Adjustable Height	# Load Cells	Capacity Readability	Capacity Readability	Est. Weight	Price
<b>Painted Steel</b>								
102285	CAPP1U-10CC-LU	10 × 10 in	2.7 in - 3.6 in	1	15 lb	0.0005 lb	14 kg	\$900.00
102286	CAPP1U-20CC-LU	10 × 10 in	2.7 in - 3.6 in	1	30 lb	0.001 lb	14 kg	\$900.00
102287	CAPP1U-50CC-LU	10 × 10 in	2.7 in - 3.6 in	1	60 lb	0.002 lb	14 kg	\$900.00
102288	CAPP1U-50DD-LU	12 × 12 in	3.6 in - 4.5 in	1	60 lb	0.002 lb	18 kg	\$1,000.00
102291	CAPP1U-100DD-LU	12 × 12 in	3.6 in - 4.5 in	1	150 lb	0.005 lb	18 kg	\$1,000.00
102289	CAPP1U-50EE-LU	18 × 18 in	3.5 in - 4.4 in	1	60 lb	0.002 lb	64 kg	\$1,500.00
102292	CAPP1U-100EE-LU	18 × 18 in	3.5 in - 4.4 in	1	150 lb	0.005 lb	64 kg	\$1,500.00
102297	CAPP1U-200EE-LU	18 × 18 in	3.5 in - 4.4 in	1	200 lb	0.01 lb	64 kg	\$1,500.00
102294	CAPP1U-100GG-LU	24 × 24 in	5.7 in - 6.7 in	1	150 lb	0.005 lb	121 kg	\$3,200.00
102299	CAPP1U-250GG-LU	24 × 24 in	5.9 in - 6.4 in	1	300 lb	0.01 lb	121 kg	\$3,200.00
102302	CAPP1U-500GG-LU	24 × 24 in	5.7 in - 6.7 in	1	600 lb	0.02 lb	121 kg	\$3,200.00
102296	CAPP1U-100HH-LU	30 × 30 in	5.7 in - 6.7 in	1	150 lb	0.005 lb	187 kg	\$4,000.00
102301	CAPP1U-250HH-LU	30 × 30 in	5.7 in - 6.7 in	1	300 lb	0.01 lb	187 kg	\$4,000.00
102304	CAPP1U-500HH-LU	30 × 30 in	5.7 in - 6.7 in	1	600 lb	0.02 lb	187 kg	\$4,000.00
102306	CAPP1U-1000HH-LU	30 × 30 in	5.7 in - 6.7 in	1	1,500 lb	0.05 lb	187 kg	\$4,000.00
<b>Pit Frames</b>								
104313	YEG-HG-PUS	30 × 24 in (HG)						\$1,059.00
104315	YPF01KKP-MUS	36 × 36 in (KK)						\$1,177.00
<b>Stainless Steel</b>								
102429	CAPS1U-10CC-LU	10 × 10 in	2.6 in - 3.4 in	1	15 lb	0.0005 lb	16 lb	\$1,350.00
102430	CAPS1U-20CC-LU	10 × 10 in	2.6 in - 3.4 in	1	30 lb	0.001 lb	16 lb	\$1,350.00
102431	CAPS1U-50CC-LU	10 × 10 in	2.6 in - 3.4 in	1	60 lb	0.002 lb	16 lb	\$1,350.00
102432	CAPS1U-50DD-LU	12 × 12 in	3.3 in - 4.4 in	1	60 lb	0.002 lb	24 lb	\$1,500.00
102433	CAPS1U-100DD-LU	12 × 12 in	3.5 in - 4.4 in	1	150 lb	0.005 lb	24 lb	\$1,500.00
102434	CAPS1U-50EE-LU	18 × 18 in	3.5 in - 4.4 in	1	60 lb	0.002 lb	62 lb	\$2,000.00
102435	CAPS1U-100EE-LU	18 × 18 in	3.5 in - 4.4 in	1	150 lb	0.005 lb	62 lb	\$2,000.00
102436	CAPS1U-200EE-LU	18 × 18 in	3.5 in - 4.4 in	1	200 lb	0.01 lb	62 lb	\$1,634.00
102458	CAPS4U-100GG-LU	24 × 24 in	3.4 in - 3.6 in	4	150 lb	0.005 lb	121 lb	\$6,600.00
102460	CAPS4U-250GG-LU	24 × 24 in	3.4 in - 3.6 in	4	300 lb	0.01 lb	121 lb	\$6,600.00
102461	CAPS4U-500GG-LU	24 × 24 in	3.4 in - 3.6 in	4	600 lb	0.02 lb	121 lb	\$6,600.00
102466	CAPS4U-100HH-LU	30 × 30 in	3.4 in - 3.6 in	4	150 lb	0.005 lb	187 lb	\$7,200.00
102467	CAPS4U-250HH-LU	30 × 30 in	3.4 in - 3.6 in	4	300 lb	0.01 lb	187 lb	\$7,200.00
102468	CAPS4U-500HH-LU	30 × 30 in	3.4 in - 3.6 in	4	600 lb	0.02 lb	187 lb	\$7,200.00
102474	CAPS4U-2500NN-LU	48 × 48 in	3.5 in	4	3,000 lb	0.1 lb	390 lb	\$10,300.00
102475	CAPS4U-5000NN-LU	48 × 48 in	3.5 in	4	6,000 lb	0.2 lb	390 lb	\$10,300.00
<b>Pit Frames</b>								
104322	YEG-HH-SUS	30 × 30 in (HH)						\$2,821.00
104323	YPF01KKT-MUS	36 × 36 in (KK)						\$3,083.00
104324	YPF01NNT-MUS	48 × 48 in (NN)						\$3,706.00



Does not represent standard models  
 (This is the stainless version shown with additional optional features)

### Specifications

- Cable Length:**  
6 m (19.7 ft)
- IP Rating:**  
IP65
- Regulatory Compliance:**  
HACCP, FDA
- Warranty:**  
Two-year limited, pending evaluation

### Standard Features

- Various options for portability utilizing unique MoveLine weighing platform
- Four strain gauge stainless steel load cells ensure precise results
- Ultra low profile: standard platform height
- Material/surface finish: mild steel powder coated
- Resolution: scale intervals of 15,000 d or 30,000 d
- Drive-on ramp included with every platform
- No pit required
- NEMA Type 4 dust and water protection

### Applications

- Pharmaceutical, chemical, electronics, food processing, precious metals, metal production and processing

### Optional Configurations

- T14: Integrated column
- T4: Stop bar
- T15: Second ramp

### Part Number/Price

Part #	Minebea Part #	Weighing Surface Dimensions	Platform Height	# Load Cells	Capacity Readability	Capacity Readability	Capacity Readability	Est. Weight	Price	
100970	IFP4-150GG	23.6 × 23.6 in	25 mm	4	330 lb	0.01 lb	150 kg	0.005 kg	198 lb	\$10,300.00
100973	IFP4-300GG	23.6 × 23.6 in	25 mm	4	660 lb	0.02 lb	300 kg	0.01 kg	198 lb	\$10,300.00
100974	IFP4-600GG	23.6 × 23.6 in	25 mm	4	1,320 lb	0.05 lb	600 kg	0.02 kg	198 lb	\$10,300.00
100975	IFP4-1000GG	23.6 × 23.6 in	25 mm	4	2,200 lb	0.1 lb	1,000 kg	0.05 kg	198 lb	\$10,300.00
100984	IFP4-150IG	31.5 × 23.6 in	25 mm	4	3,30 lb	0.01 lb	150 kg	0.005 kg	221 lb	\$10,400.00
100986	IFP4-300IG	31.5 × 23.6 in	25 mm	4	660 lb	0.02 lb	300 kg	0.01 kg	221 lb	\$10,400.00
100987	IFP4-600IG	31.5 × 23.6 in	25 mm	4	1,320 lb	0.05 lb	600 kg	0.02 kg	221 lb	\$10,400.00
100988	IFP4-1000IG	31.5 × 23.6 in	25 mm	4	2,200 lb	0.1 lb	1,000 kg	0.05 kg	221 lb	\$10,400.00
100991	IFP4-150II	31.5 × 31.5 in	25 mm	4	330 lb	0.01 lb	150 kg	0.005 kg	243 lb	\$10,500.00
100992	IFP4-300II	31.5 × 31.5 in	25 mm	4	660 lb	0.02 lb	300 kg	0.01 kg	243 lb	\$10,500.00
100993	IFP4-600II	31.5 × 31.5 in	25 mm	4	1,320 lb	0.05 lb	600 kg	0.02 kg	243 lb	\$10,500.00
100994	IFP4-1000II	31.5 × 31.5 in	25 mm	4	2,200 lb	0.1 lb	1,000 kg	0.05 kg	243 lb	\$10,500.00
100995	IFP4-1500II	31.5 × 31.5 in	25 mm	4	3,300 lb	0.1 lb	1,500 kg	0.05 kg	243 lb	\$10,500.00
101005	IFP4-150LG	39.4 × 23.6 in	25 mm	4	330 lb	0.01 lb	150 kg	0.005 kg	243 lb	\$10,500.00
101006	IFP4-300LG	39.4 × 23.6 in	25 mm	4	660 lb	0.02 lb	300 kg	0.01 kg	243 lb	\$10,500.00
101007	IFP4-600LG	39.4 × 23.6 in	25 mm	4	1,320 lb	0.05 lb	600 kg	0.02 kg	243 lb	\$10,500.00
101008	IFP4-1000LG	39.4 × 23.6 in	25 mm	4	2,200 lb	0.1 lb	1,000 kg	0.05 kg	243 lb	\$10,500.00
101009	IFP4-1500LG	39.4 × 23.6 in	25 mm	4	3,300 lb	0.1 lb	1,500 kg	0.05 kg	243 lb	\$10,500.00
101010	IFP4-150LI	39.4 × 31.5 in	25 mm	4	330 lb	0.01 lb	150 kg	0.005 kg	265 lb	\$10,700.00
101011	IFP4-300LI	39.4 × 31.5 in	25 mm	4	660 lb	0.02 lb	300 kg	0.01 kg	265 lb	\$10,700.00
101012	IFP4-600LI	39.4 × 31.5 in	25 mm	4	1,320 lb	0.05 lb	600 kg	0.02 kg	265 lb	\$10,700.00
101013	IFP4-1000LI	39.4 × 31.5 in	25 mm	4	2,200 lb	0.1 lb	1,000 kg	0.05 kg	265 lb	\$10,700.00
101014	IFP4-1500LI	39.4 × 31.5 in	35 mm	4	3,300 lb	0.1 lb	1,500 kg	0.05 kg	265 lb	\$10,700.00
101015	IFP4-150LL	39.4 × 39.4 in	25 mm	4	330 lb	0.01 lb	150 kg	0.005 kg	375 lb	\$11,200.00

PRECISION INDUSTRIAL WEIGHING

Part Number/Price

Part #	Minebea Part #	Weighing Surface Dimensions	Platform Height	# Load Cells	Capacity Readability	Capacity Readability	Capacity Readability	Est. Weight	Price	
101016	IFP4-300LL	39.4 × 39.4 in	25 mm	4	660 lb	0.02	300 kg	0.01	375 lb	\$11,200.00
101017	IFP4-600LL	39.4 × 39.4 in	25 mm	4	1,320 lb	0.05	600 kg	0.02	375 lb	\$11,200.00
101018	IFP4-1000LL	39.4 × 39.4 in	25 mm	4	2,200 lb	0.1	1,000 kg	0.05	375 lb	\$11,200.00
101019	IFP4-1500LL	39.4 × 39.4 in	35 mm	4	3,300 lb	0.1	1,500 kg	0.05	376 lb	\$11,200.00
101020	IFP4-3000LL	39.4 × 39.4 in	45 mm	4	6,600 lb	0.2	3,000 kg	0.1	376 lb	\$11,200.00
101021	IFP4-150NL	49.2 × 39.4 in	25 mm	4	330 lb	0.01	150 kg	0.005	397 lb	\$11,500.00
101022	IFP4-300NL	49.2 × 39.4 in	25 mm	4	660 lb	0.02	300 kg	0.01	397 lb	\$11,500.00
101023	IFP4-600NL	49.2 × 39.4 in	25 mm	4	1,320 lb	0.05	600 kg	0.02	397 lb	\$11,500.00
101024	IFP4-1000NL	49.2 × 39.4 in	25 mm	4	2,200 lb	0.1	1,000 kg	0.05	397 lb	\$11,500.00
101025	IFP4-1500NL	49.2 × 39.4 in	35 mm	4	3,300 lb	0.1	1,500 kg	0.05	397 lb	\$11,500.00
101026	IFP4-3000NL	49.2 × 39.4 in	45 mm	4	6,600 lb	0.2	3,000 kg	0.1	397 lb	\$11,500.00
101027	IFP4-150NN	49.2 × 49.2 in	25 mm	4	330 lb	0.01	150 kg	0.005	481 lb	\$12,000.00
101028	IFP4-300NN	49.2 × 49.2 in	25 mm	4	660 lb	0.02	300 kg	0.01	481 lb	\$12,000.00
101029	IFP4-600NN	49.2 × 49.2 in	35 mm	4	1,320 lb	0.05	600 kg	0.02	481 lb	\$12,000.00
101030	IFP4-1000NN	49.2 × 49.2 in	35 mm	4	2,200 lb	0.1	1,000 kg	0.05	481 lb	\$12,000.00
101031	IFP4-1500NN	49.2 × 49.2 in	35 mm	4	3,300 lb	0.1	1,500 kg	0.05	481 lb	\$12,000.00
101032	IFP4-3000NN	49.2 × 49.2 in	45 mm	4	6,600 lb	0.2	3,000 kg	0.1	481 lb	\$12,000.00
101033	IFP4-150RN	59.1 × 49.2 in	25 mm	4	330 lb	0.01	150 kg	0.005	547 lb	\$12,500.00
101034	IFP4-300RN	59.1 × 49.2 in	25 mm	4	660 lb	0.02	300 kg	0.01	547 lb	\$12,500.00
101035	IFP4-600RN	59.1 × 49.2 in	35 mm	4	1,320 lb	0.05	600 kg	0.02	547 lb	\$12,500.00
101036	IFP4-1000RN	59.1 × 49.2 in	35 mm	4	2,200 lb	0.1	1,000 kg	0.05	547 lb	\$12,500.00
101037	IFP4-1500RN	59.1 × 49.2 in	35 mm	4	3,300 lb	0.1	1,500 kg	0.05	547 lb	\$12,500.00
101038	IFP4-3000RN	59.1 × 49.2 in	45 mm	4	6,600 lb	0.2	3,000 kg	0.1	547 lb	\$12,500.00
101039	IFP4-150RR	59.1 × 59.1 in	35 mm	4	330 lb	0.01	150 kg	0.005	628 lb	\$13,200.00
101040	IFP4-300RR	59.1 × 59.1 in	35 mm	4	660 lb	0.02	300 kg	0.01	628 lb	\$13,200.00
101041	IFP4-600RR	59.1 × 59.1 in	35 mm	4	1,320 lb	0.05	600 kg	0.02	628 lb	\$13,200.00
101042	IFP4-1000RR	59.1 × 59.1 in	45 mm	4	2,200 lb	0.1	1,000 kg	0.05	628 lb	\$13,200.00
101043	IFP4-1500RR	59.1 × 59.1 in	45 mm	4	3,300 lb	0.1	1,500 kg	0.05	628 lb	\$13,200.00
101044	IFP4-3000RR	59.1 × 59.1 in	45 mm	4	6,600 lb	0.2	3,000 kg	0.1	628 lb	\$13,200.00
101045	IFP4-150WR	78.7 × 59.1 in	35 mm	4	330 lb	0.01	150 kg	0.005	739 lb	\$13,500.00
101046	IFP4-300WR	78.7 × 59.1 in	35 mm	4	660 lb	0.02	300 kg	0.01	739 lb	\$13,500.00
101047	IFP4-600WR	78.7 × 59.1 in	35 mm	4	1,320 lb	0.05	600 kg	0.02	739 lb	\$13,500.00
101048	IFP4-1000WR	78.7 × 59.1 in	45 mm	4	2,200 lb	0.1	1,000 kg	0.05	739 lb	\$13,500.00
101049	IFP4-1500WR	78.7 × 59.1 in	45 mm	4	3,300 lb	0.1	1,500 kg	0.05	739 lb	\$13,500.00
101050	IFP4-3000WR	78.7 × 59.1 in	45 mm	4	6,600 lb	0.2	3,000 kg	0.1	739 lb	\$13,500.00

PRECISION  
INDUSTRIAL WEIGHING

Options/Accessories

Part #	Description	Price
T4	Stop bar	Consult
T5	Tow bar	Consult
T6	Two handles and two rollers	Consult
T7	Retractable wheels (not available with the GG and IG models)	Consult
T9	Bottom plate	Consult
L6	IP69K kit	Consult
T13	Four handles	Consult
T14	Integrated column	Consult
T15	2nd ramp	Consult
Consult	Pressure lift (not available for 30,000d models)	Consult





Does not represent standard models  
(Shown with additional optional features)

## Specifications

### Load Cells:

Four hermetically sealed IP68

### Regulatory Compliance:

HACCP, FDA, Class 10,000 clean rooms  
(US Federal Standard 209D)

### IP Rating:

IP68

### Cable Length:

6 m (19.7 ft)

### Warranty:

Two-year limited, pending evaluation

## Standard Features

- Capacities from 330 to 6,614 lb with resolutions up to 30,000 d
- Various portability options utilizing the unique MoveLine weighing platform
- Ultra low profile: standard platform height
- Material/surface finish: 304 bead-blasted stainless steel
- Drive-on ramp included with every platform
- No pit required
- Convenient for application-oriented weighing systems from processing to the chemical industry
- All units built for easy cleaning and disinfection to meet HACCP and FDA requirements for the food/ pharmaceutical industries

## Optional Configurations

- L6: IP69K kit
- T4: Stop bar
- T9: Bottom plate
- T5: Towing bar
- T6: Two handles, two rollers
- T13: Four handles
- T14: Integrated column
- T15: 2nd ramp
- Pressure lift (not available for 30,000d models)

*Note: Consult factory for lifting device options and compatibility of combined options*

## Applications

- Pharmaceutical, chemical, electronics, food processing, precious metals, metal production and processing

## Part Number/Price

Part #	Minebea Part #	Weighing Surface Dimensions	Platform Height	# Load Cells	Capacity Readability	Capacity Readability	Capacity Readability	Est. Weight	Price	
101266	IFS4-150GG	23.6 × 23.6 in	25 mm	4	330 lb	0.01 lb	150 kg	0.005 kg	198 lb	\$15,500.00
101267	IFS4-300GG	23.6 × 23.6 in	25 mm	4	660 lb	0.02 lb	300 kg	0.01 kg	198 lb	\$15,500.00
101268	IFS4-600GG	23.6 × 23.6 in	25 mm	4	1,320 lb	0.05 lb	600 kg	0.02 kg	198 lb	\$15,500.00
101269	IFS4-1000GG	23.6 × 23.6 in	25 mm	4	2,200 lb	0.1 lb	1,000 kg	0.05 kg	198 lb	\$15,500.00
101270	IFS4-150IG	31.5 × 23.6 in	25 mm	4	330 lb	0.01 lb	150 kg	0.005 kg	221 lb	\$15,800.00
101274	IFS4-300IG	31.5 × 23.6 in	25 mm	4	660 lb	0.02 lb	300 kg	0.01 kg	221 lb	\$15,800.00
101275	IFS4-600IG	31.5 × 23.6 in	25 mm	4	1,320 lb	0.05 lb	600 kg	0.02 kg	221 lb	\$15,800.00
101279	IFS4-1000IG	31.5 × 23.6 in	25 mm	4	2,200 lb	0.1 lb	1,000 kg	0.05 kg	221 lb	\$15,800.00
101281	IFS4-150II	31.5 × 31.5 in	25 mm	4	330 lb	0.01 lb	150 kg	0.005 kg	243 lb	\$16,100.00
101282	IFS4-300II	31.5 × 31.5 in	25 mm	4	660 lb	0.02 lb	300 kg	0.01 kg	243 lb	\$16,100.00
101283	IFS4-600II	31.5 × 31.5 in	25 mm	4	1,320 lb	0.05 lb	600 kg	0.02 kg	243 lb	\$16,100.00
101284	IFS4-1000II	31.5 × 31.5 in	25 mm	4	2,200 lb	0.1 lb	1,000 kg	0.05 kg	243 lb	\$16,100.00
101285	IFS4-1500II	31.5 × 31.5 in	25 mm	4	3,300 lb	0.1 lb	1,500 kg	0.05 kg	243 lb	\$16,100.00
101286	IFS4-150LG	39.4 × 23.6 in	25 mm	4	330 lb	0.01 lb	150 kg	0.005 kg	243 lb	\$16,600.00
101287	IFS4-300LG	39.4 × 23.6 in	25 mm	4	660 lb	0.02 lb	300 kg	0.01 kg	243 lb	\$16,600.00
101288	IFS4-600LG	39.4 × 23.6 in	25 mm	4	1,320 lb	0.05 lb	600 kg	0.02 kg	243 lb	\$16,600.00
101289	IFS4-1000LG	39.4 × 23.6 in	25 mm	4	2,200 lb	0.1 lb	1,000 kg	0.05 kg	243 lb	\$16,600.00
101290	IFS4-1500LG	39.4 × 23.6 in	25 mm	4	3,300 lb	0.1 lb	1,500 kg	0.05 kg	243 lb	\$16,600.00
101291	IFS4-150LI	39.4 × 31.5 in	25 mm	4	330 lb	0.01 lb	150 kg	0.005 kg	265 lb	\$17,200.00
101293	IFS4-300LI	39.4 × 31.5 in	25 mm	4	660 lb	0.02 lb	300 kg	0.01 kg	265 lb	\$17,200.00
101294	IFS4-600LI	39.4 × 31.5 in	25 mm	4	1,320 lb	0.05 lb	600 kg	0.02 kg	265 lb	\$17,200.00
101295	IFS4-1000LI	39.4 × 31.5 in	25 mm	4	2,200 lb	0.1 lb	1,000 kg	0.05 kg	265 lb	\$17,200.00
101296	IFS4-1500LI	39.4 × 31.5 in	35 mm	4	3300 lb	0.1 lb	1,500 kg	0.05 kg	265 lb	\$17,200.00
101304	IFS4-150LL	39.4 × 39.4 in	25 mm	4	330 lb	0.01 lb	150 kg	0.005 kg	375 lb	\$18,000.00
101305	IFS4-300LL	39.4 × 39.4 in	25 mm	4	660 lb	0.02 lb	300 kg	0.01 kg	375 lb	\$18,000.00
101306	IFS4-600LL	39.4 × 39.4 in	25 mm	4	1,320 lb	0.05 lb	600 kg	0.02 kg	375 lb	\$18,000.00

## Part Number/Price

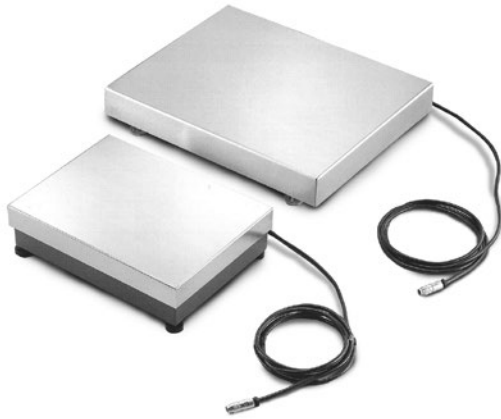
Part #	Minebea Part #	Weighing Surface Dimensions	Platform Height	# Load Cells	Capacity Readability	Capacity Readability	Capacity Readability	Est. Weight	Price	
101307	IFS4-1000LL	39.4 × 39.4 in	25 mm	4	2,200 lb	0.1 lb	1,000 kg	0.05 kg	375 lb	\$18,000.00
101308	IFS4-1500LL	39.4 × 39.4 in	35 mm	4	3,300 lb	0.1 lb	1,500 kg	0.05 kg	375 lb	\$18,000.00
101309	IFS4-3000LL	39.4 × 39.4 in	45 mm	4	6,600 lb	0.2 lb	3,000 kg	0.1 kg	375 lb	\$17,265.00
101310	IFS4-150NL	49.2 × 39.4 in	25 mm	4	330 lb	0.01 lb	150 kg	0.005 kg	397 lb	\$18,700.00
101311	IFS4-300NL	49.2 × 39.4 in	25 mm	4	660 lb	0.02 lb	300 kg	0.01 kg	397 lb	\$18,700.00
101312	IFS4-600NL	49.2 × 39.4 in	25 mm	4	1,320 lb	0.05 lb	600 kg	0.02 kg	397 lb	\$18,700.00
101313	IFS4-1000NL	49.2 × 39.4 in	25 mm	4	2,200 lb	0.1 lb	1,000 kg	0.05 kg	397 lb	\$18,700.00
101314	IFS4-1500NL	49.2 × 39.4 in	35 mm	4	3,300 lb	0.1 lb	1,500 kg	0.05 kg	397 lb	\$18,700.00
101315	IFS4-3000NL	49.2 × 39.4 in	45 mm	4	6,600 lb	0.2 lb	3,000 kg	0.1 kg	397 lb	\$18,700.00
101317	IFS4-1500NN	49.2 × 49.2 in	25 mm	4	330 lb	0.01 lb	150 kg	0.005 kg	481 lb	\$19,500.00
101318	IFS4-300NN	49.2 × 49.2 in	25 mm	4	660 lb	0.02 lb	300 kg	0.01 kg	481 lb	\$19,500.00
101319	IFS4-600NN	49.2 × 49.2 in	35 mm	4	1,320 lb	0.05 lb	600 kg	0.02 kg	481 lb	\$19,500.00
101320	IFS4-1000NN	49.2 × 49.2 in	35 mm	4	2,200 lb	0.1 lb	1,000 kg	0.05 kg	481 lb	\$19,500.00
101321	IFS4-1500NN	49.2 × 49.2 in	35 mm	4	3,300 lb	0.1 lb	1,500 kg	0.05 kg	481 lb	\$19,500.00
101322	IFS4-3000NN	49.2 × 49.2 in	45 mm	4	6,600 lb	0.2 lb	3,000 kg	0.1 kg	481 lb	\$19,500.00
101323	IFS4-150RN	59.1 × 49.2 in	25 mm	4	330 lb	0.01 lb	150 kg	0.005 kg	547 lb	\$20,200.00
101324	IFS4-300RN	59.1 × 49.2 in	25 mm	4	660 lb	0.02 lb	300 kg	0.01 kg	547 lb	\$20,200.00
101325	IFS4-600RN	59.1 × 49.2 in	35 mm	4	1,320 lb	0.05 lb	600 kg	0.02 kg	547 lb	\$20,200.00
101326	IFS4-1000RN	59.1 × 49.2 in	35 mm	4	2,200 lb	0.1 lb	1,000 kg	0.05 kg	547 lb	\$20,200.00
101327	IFS4-1500RN	59.1 × 49.2 in	35 mm	4	3,300 lb	0.1 lb	1,500 kg	0.05 kg	547 lb	\$20,200.00
101328	IFS4-3000RN	59.1 × 49.2 in	45 mm	4	6,600 lb	0.2 lb	3,000 kg	0.1 kg	628 lb	\$20,200.00
101329	IFS4-150RR	59.1 × 59.1 in	35 mm	4	330 lb	0.01 lb	150 kg	0.005 kg	628 lb	\$21,000.00
101330	IFS4-300RR	59.1 × 59.1 in	35 mm	4	660 lb	0.02 lb	300 kg	0.01 kg	628 lb	\$21,000.00
101331	IFS4-600RR	59.1 × 59.1 in	35 mm	4	1,320 lb	0.05 lb	600 kg	0.02 kg	628 lb	\$21,000.00
101332	IFS4-1000RR	59.1 × 59.1 in	45 mm	4	2,200 lb	0.1 lb	1,000 kg	0.05 kg	628 lb	\$21,000.00
101333	IFS4-1500RR	59.1 × 59.1 in	45 mm	4	3,300 lb	0.1 lb	1,500 kg	0.05 kg	628 lb	\$21,000.00
101334	IFS4-3000RR	59.1 × 59.1 in	45 mm	4	6,600 lb	0.2 lb	3,000 kg	0.1 kg	739 lb	\$21,000.00
101335	IFS4-150WR	78.7 × 59.1 in	35 mm	4	330 lb	0.01 lb	150 kg	0.005 kg	739 lb	\$21,200.00
101337	IFS4-300WR	78.7 × 59.1 in	35 mm	4	660 lb	0.02 lb	300 kg	0.01 kg	739 lb	\$21,200.00
101338	IFS4-600WR	78.7 × 59.1 in	35 mm	4	1,320 lb	0.05 lb	600 kg	0.02 kg	739 lb	\$21,200.00
101339	IFS4-1000WR	78.7 × 59.1 in	45 mm	4	2,200 lb	0.1 lb	1,000 kg	0.05 kg	739 lb	\$21,200.00
101340	IFS4-1500WR	78.7 × 59.1 in	45 mm	4	3,300 lb	0.1 lb	1,500 kg	0.05 kg	739 lb	\$21,200.00
101341	IFS4-3000WR	78.7 × 59.1 in	45 mm	4	6,600 lb	0.2 lb	3,000 kg	0.1 kg	739 lb	\$21,200.00

PRECISION INDUSTRIAL WEIGHING

## Options/Accessories

Part #	Description	Price
T4	Stop bar	Consult
T5	Tow bar and stop bar	Consult
T6	Two handles and two rollers	Consult
T7	Retractable wheels	Consult
T9	Bottom plate	Consult
T13	Four handles	Consult
T14	Integrated column	Consult
T15	Second ramp	Consult
<b>Stainless Steel</b>		
R2	316, T1, 2B cold-rolled steel, electropolished stainless steel	Consult
R6	304, 2B cold-rolled steel, electropolished stainless steel	Consult

Note: Consult factory for lifting device options and compatibility of combined options



## Specifications

### Indicator Connectivity:

Combics UV1

### Models Sensing:

Force motor cell

### Stability:

Weight stabilizes 1.5 second

### Power Requirements:

10.6 VDC to 30 VDC supplied by external power supply, battery pack or Combics IS indicator

### Weighing Design:

Electro magnetic

### Indicators Options:

Combics UV1 models

### Construction:

Stainless steel platforms  
Die-cast or galvanized base construction (model dependent)

### IP Rating:

BBP/DCS: IP54

EDE: IP65

IGG: IP67

### Cable Length:

6 m (20 ft)

### Warranty:

Two-year limited, pending evaluation

## Standard Features

- The standard RS-485 interface is X-bus compatible. An RS-232C interface is available as an option.
- Power requirements range from 10.6 VDC to 30 VDC
- At the touch of the unique ISO TEST key, the IS platform calibrates and adjusts itself automatically using a built-in calibration weight
- High internal resolution guarantees reliable weight readouts
- Weighing results: up to 50 times/second
- All scales come standard with stainless steel load plate (wraparound design optional)
- Internal calibration (ISEDE and ISIGG models only)

## Accessories and Options

- A complete selection of options and accessories are available, including interfaces, cables and connectors, power supplies, mechanical accessories, software and mechanical security devices

## Part Number/Price

Part #	Minebea Part #	Platform Size	# Load Cells	Capacity Readability	Capacity Readability	Capacity Readability	Est. Weight	Price	
174127	ISBBP-06-H	4.5 in Ø	1	1.6 lb	0.00002 lb	0.62 kg	0.001 g	19 lb	\$4,100.00
174128	ISBBP-3-H	7.1 in × 7.1 in	1	6.8 lb	0.00002 lb	3.1 kg	0.01 g	19 lb	\$3,437.00
174129	ISBBP-6-H	7.1 in × 7.1 in	1	13.7 lb	0.00002 lb	6.2 kg	0.01 g	19 lb	\$4,374.00
102003	ISDCS-16-H	15.8 in × 11.8 in	1	35 lb	0.0002 lb	16 kg	0.1 g	41 lb	\$5,900.00
102004	ISDCS-35-H	15.8 in × 11.8 in	1	75 lb	0.0002 lb	34 kg	0.1 g	41 lb	\$6,742.00
102005	ISEDE-64-SV1	15.8 in × 11.8 in	1	141 lb	0.002 lb	64 kg	1 g	41 lb	\$6,555.00
102006	ISEDE-64-HV1	15.8 in × 11.8 in	1	141 lb	0.0002 lb	64 kg	0.1 g	41 lb	\$9,000.00
102008	ISIGG-150-HV1	32 in × 24 in	1	330 lb	0.002 lb	150 kg	1 g	185 lb	\$9,354.00
102009	ISIGG-300-HV1	32 in × 24 in	1	660 lb	0.005 lb	300 kg	2 g	185 lb	\$9,354.00
<b>Special Order</b>									
102012	ISIGG-150-DS1	32 in × 24 in	1	330 lb	0.0002 lb	150 kg	0.1 g	185 lb	\$10,038.00
102013	ISIGG-300-DS1	32 in × 24 in	1	660 lb	0.0005 lb	300 kg	0.2 g	185 lb	\$10,576.00

## Options/Accessories

Part #	Minebea Part #	Description	Price
Consult	-	Interface mode (RS-485/422) required with Combics II indicators	Consult
Consult	-	DC power supply to weigh platform	Consult
Consult	YCC05_001M5	Cable, 25-Pin to 9-Pin D sub, cable for PC	Consult

## Indicators

Part #	Minebea Part #	Description	Price
115668	CAISL1-UV1	Combics 1 indicator for IS base, IP44	\$1,919.00
115670	CAISL2-UV1	Combics 2 indicator for IS base, IP44	\$2,233.00
Consult	CAISL3-UV1	Combics 3 indicator for IS base, IP44	\$2,121.00
115671	CAIS1-UV1	Combics 1 indicator for IS base, IP69K	\$2,208.00
115673	CAIS2-UV1	Combics 2 indicator for IS base, IP69K	\$2,639.00
115674	CAIS3-UV1	Combics 3 indicator for IS base, IP69K	\$3,146.00

# Signum Ex Supreme, Explosion Proof

Bench Scale



Approvals



Part Number/Price

Part #	Minebea Part #	Description	Platform Dimensions	Price
<b>Painted</b>				
155866	SIWXSBBP-3-06-H	1.3 x 0.000002 lb (0.62 kg x 0.001 g)	5 in Ø	\$7,885.00
155867	SIWXSBBP-3-3-H	6.8 x 0.00002 lb (3.1 kg x 0.01 g)	7.1 x 7.1 in	\$5,812.00
155868	SIWXSBBP-3-6-H	13.5 x 0.00002 lb (6.1 kg x 0.01 g)	7.1 x 7.1 in	\$7,060.00
155870	SIWXSDCP-3-35-H	75 x 0.0002 lb (35 kg x 0.1 g)	13.7 x 9.7 in	\$7,405.00
<b>Stainless</b>				
155871	SIWXSBBP-3-3-H	6.8 x 0.00002 lb (3.1 kg x 0.01 g)	7.1 x 7.1 in	\$8,104.00
155872	SIWXSBBP-3-6-H	13.5 x 0.0002 lb (6.1 kg x 0.01 g)	7.1 x 7.1 in	\$9,342.00
155873	SIWXSDCS-3-35-H	75 x 0.0002 lb (35 kg x 0.1 g)	13.7 x 9.7 in	\$9,211.00

Options/Accessories

Part #	Minebea Part #	Description	Price
46518	YPS02-XUR	Hazardous area power supply - (FM approved for use in the USA) (8 ft. of intrinsic cable and 8 ft. of cable requiring hard wiring by licensed electrician)	\$2,494.00
103066	YPS02-XKR	Hazardous area power supply - (CSA approved for use in Canada) (8 ft. of intrinsic cable and 8 ft. of cable requiring hard wiring by a licensed electrician)	\$2,494.00
46517	YPS02-ZKR	Safe area power supply (3ft to wall plug and 65ft of intrinsically safe cable to the scale)	\$1,687.00
103055	YDI05-ZU2	Zener barrier hazardous area RS-232 to RS-232 converter, 14-Pin plug	\$1,188.00
103059	YDI05-ZU3	Zener barrier hazardous area RS-422 to RS-232 (requires 6971413, RL 50232, power supply) cable connection not included	\$1,015.00
153218	YDH01P	Column for DCP platforms, height 19 in, painted	\$670.00
155884	YDH02P	Column for BBP platforms, height 15.75 in, painted	\$731.00
Consult	YDH01CWSUS	Column for DCS platform, height 13 in, stainless steel	Consult
Consult	YDH02CWSUS	Column for DCS platform, height 19.6 in, stainless steel	Consult
Consult	YDH03CWSUS	Column for DCS platform, height 25.5 in, stainless steel	Consult
Consult	YDH02S	Column for BBS platform, height 15.75 in, stainless steel	Consult
103068	YRB02-X	Rechargeable battery (requires 103069 battery charger)	\$1,994.00
103069	YRB02-LD	Battery charger (requires power cord)	\$461.00
103057	YCC422-X	Cable without connectors for RS-422	\$18.00/ft
102078	6971954	Power cord	\$27.00

Standard Features

- Monolithic weighing system
- Resolution up to 620,000 d
- Stainless steel weighing pan
- IECEx/ATEX Zone 1/2/21/22
- FM Class I, II, III; Div. 1; Groups ABCDEFG and T4
- Stainless or painted versions
- Requires YPS02-XUR (RL # 46518)  
US hazardous area or YPS02-ZKR (RL# 46517)  
safe area connection

Specifications

Material:

SIWXSBBP, SIWXSDCP:  
Stainless steel display unit, painted platform with stainless steel load plate  
SIWXSBBP, SIWXSDCS:  
Brushed stainless steel

Net Weight/Gross Weight:

SIWXSBBP, SIWXSBBP: 19.8/23.8 lb (9.0/10.8 kg)  
SIWXSDCP, SIWXSDCS: 33/39.6 lb (15.0/18.0 kg)

Packaging Dimensions:

(L x W x H)  
SIWXSBBP, SIWXSBBP:  
22.4 x 15.7 x 14.5 in  
(570 x 400 x 370 mm)  
SIWXSDCP, SIWXSDCS:  
20 x 17.3 x 16.1 in  
(510 x 440 x 410 mm)

Operating Temperature:

SIWXSBBP, SIWXSBBP:  
50 °F to 104 °F (10 °C to 40 °C)  
SIWXSDCP, SIWXSDCS:  
14 °F to 104 °F (-10 °C to 40 °C)

Data Interfaces:

RS-232  
Can be switched to RS-485 or RS-422 connection via 14-Pin round socket

Supply Voltage:

Via external power supply, connection via 14-Pin round socket (20 cm cable)

Power Supply Hazardous Area:

ATEX: YPSC01-X

Power Supply Safe Area:

ATEX: YPSC01-Z  
FM/CSA: YPS02-ZKR (PN 46517)

Battery Operation:

Via external battery YRB02-X (103068)  
Charger PN 103069

IP Rating:

IP65  
IP44 Zone 1 ONLY: SIWXSBBP,  
SIWXSBBP 1.3 lb (0.6 kg)

Cable Length:

2 m (6.6 ft) between display unit and platform

Warranty:

Two-year limited, pending evaluation

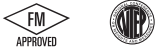
PRECISION INDUSTRIAL WEIGHING

# Combics 2 Ex, Explosion Proof

Digital Weight Indicator



## Approvals



## Standard Features

- Amber backlit LCD dot matrix display
- On/Off, Zero, Tare and Print/Data keys
- Function keys for: Gross/net toggle; three-way unit toggle; 10X higher resolution toggle
- Two header line storage
- Battery charge status display (with connection of battery pack)
- Numeric keypad with two IDs for entering identifier codes and preset tare
- Date/time fully integrated
- GMP printable record
- Three built-in LED checkweighing lights
- Bar graph weighing range indicator
- Application data and totalization memory stored in battery-backed RAM
- Optional bar code scanner for preset tare, reference weight and ID entry
- Requires power supply

## Applications Software Pre-installed

- Counting, checkweighing, differential weighing, percentage weighing, gross-net-tare, sorting, net-total, animal weighing
- Ex approval: FM Class 1,2,3, Division 1, Groups ABCDEFG and temperature class T4
- Weighbridge connectivity – maximum two precision weighing platforms or load cells, and one precision platform or 1 Combics Ex and one precision platform
- Power supply can be provided by 110-220 VAC connections and a 24 VDC industrial power module (each suitable for hazardous and safe areas) and a rechargeable battery pack in stainless steel casing

## Specifications

### Load Cell:

4 or 6 wire

### Supply Voltage:

6V

### Housing:

304 stainless steel

### IP Rating:

IP69K/NEMA Type 4X

### Dimensions:

(L x W x H):  
11.9 x 7.4 x 3.5 in  
(302 x 188 x 89 mm)

### Operating Temperature:

14 °F to 104 °F (-10 °C to 40 °C)

### Warranty:

Two-year limited, pending evaluation

### Approvals:

NTEP 19-055

FM

PRECISION  
INDUSTRIAL WEIGHING

## Part Number/Price

Part #	Minebea Part #	Description	Est. Weight	Price
158644	CAIXS2-U	Indicator, CAIXS2-U IP69K protection rated	7 lb	\$2,800.00
197168	CAIXS2-UA19M26	Indicator, CAIXS2 EX IS-X	7 lb	\$3,300.00

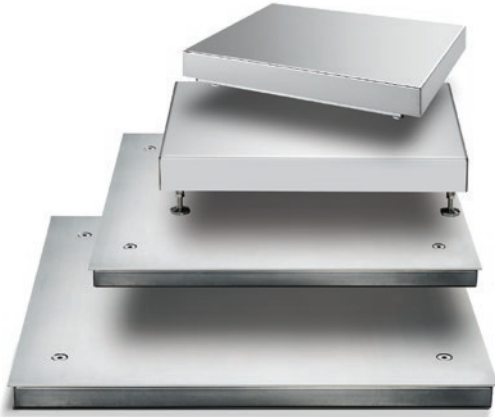
## Options/Accessories

Part #	Minebea Part #	Description	Price
46518	YPS02-XUR	Power supply, hazardous area, United States	\$2,494.00
46517	YPS02-ZKR	Power supply, safe area, 65 ft cable	\$1,687.00
103068	YRB02-X	Battery pack, 30+ hours (requires 103069)	\$1,994.00
103069	YRB02-LD	Charger for battery pack	\$461.00
103054	YCC02-XR14F02	Quick disconnect cable, for Zener barrier	\$322.00
155882	YDI05-ZU1	Zener barrier	\$1,188.00
155918	A19	485 interface (IS-X Base)	\$581.00
155919	M26	Cable to IS-X	\$319.00
105607	YDH02CISUS	Wall mount bracket	\$116.00
156440	YDH01CWSUS	Post mount assembly for 10 x 10 in platforms, 13 in high	\$315.00
156441	YDH02CWSUS	Post mount assembly for 12 x 12 in platforms, 19 in high	\$326.00
156442	YDH03CWSUS	Post mount assembly for 18 x 18 in platforms, 29 in high	\$384.00



# Combics, Explosion Proof

Bench and Floor Platform Scales



\*GLP/GMP requires use of Combics 1 Plus or higher digital weight indicator

## Specifications

**Indicator Option:**  
CIXS3-U

**Operating Temperature:**  
14 °F to 104 °F (-10 °C to 40 °C)

**IP Rating:**  
NEMA Type 4/IP67

**Cable Length:**  
Up to 30 × 30: 10 ft  
36 × 36 and over: 20 ft

**Warranty:**  
Two-year limited, pending evaluation

**Approvals:**  
FM approved Classes 1,2,3, Division 1, Groups ABCDEGFT4, US and Canadian hazardous areas, when used with CIXS3-U or FCT01-X indicator

PRECISION INDUSTRIAL WEIGHING

## Approvals



## Standard Features

- Can be used in areas where explosive gas and dust mixtures occur
- Documentation to verify intrinsic safety available upon request
- Completely constructed with AISI 304 stainless steel
- All units are built for easy cleaning and disinfection and meet HACCP and FDA requirements for the food industry
- Load cells are hermetically sealed, IP68 protection rated
- Pit frames for flush mounting available
- High resolution 30,000 d

## Applications

- Pharmaceutical, chemical, electronics, food processing, precious metals, metal production and processing
- Regulatory Compliance: NEMA, HACCP, FDA, GLP/GMP\*, FM

\*GLP/GMP requires use of Combics 1 Plus or higher digital weight indicator

## Part Number/Price

Part #	Minebea Part #	Dimensions	Height Adjustment	# Load Cells	Capacity	Capacity Readability	Capacity Readability	Est. Weight	Price
100919	CAPXS1U-10CC	10 × 10 in	2.37 in	1	15 lb	0.0005 lb	6 kg	0.0002 kg	16 lb \$1,500.00
100920	CAPXS1U-20CC	10 × 10 in	2.37 in	1	30 lb	0.001 lb	15 kg	0.0005 kg	16 lb \$1,500.00
100921	CAPXS1U-50CC	10 × 10 in	2.37 in	1	60 lb	0.002 lb	30 kg	0.001 kg	16 lb \$1,500.00
100922	CAPXS1U-50DD	12 × 12 in	3.87 in	1	60 lb	0.002 lb	30 kg	0.001 kg	24 lb \$1,600.00
100923	CAPXS1U-100DD	12 × 12 in	3.87 in	1	150 lb	0.005 lb	60 kg	0.002 kg	24 lb \$1,600.00
100924	CAPXS1U-50EE	18 × 18 in	3.5 in	1	60 lb	0.002 lb	30 kg	0.001 kg	62 lb \$2,100.00
100925	CAPXS1U-100EE	18 × 18 in	3.5 in	1	150 lb	0.005 lb	60 kg	0.002 kg	62 lb \$2,100.00
100926	CAPXS1U-200EE	18 × 18 in	3.5 in	1	200 lb	0.01 lb	100 kg	0.005 kg	62 lb \$2,100.00
100934	CAPXS4U-250GG	24 × 24 in	3.31 in	4	300 lb	0.01 lb	150 kg	0.005 kg	12 lb \$6,600.00
100935	CAPXS4U-500GG	24 × 24 in	3.31 in	4	600 lb	0.02 lb	300 kg	0.01 kg	12 lb \$6,600.00
100943	CAPXS4U-500HH	30 × 30 in	3.31 in	4	600 lb	0.02 lb	300 kg	0.01 kg	187 lb \$7,200.00
100944	CAPXS4U-1000HH	30 × 30 in	3.31 in	4	1,500 lb	0.05 lb	600 kg	0.02 kg	187 lb \$7,200.00
100945	CAPXS4U-1000KK	36 × 36 in	3.75 in	4	1,500 lb	0.05 lb	600 kg	0.02 kg	250 lb \$8,800.00
100946	CAPXS4U-2500KK	36 × 36 in	3.75 in	4	3,000 lb	0.1 lb	1,500 kg	0.05 kg	250 lb \$8,800.00
100947	CAPXS4U-5000KK	36 × 36 in	3.75 in	4	6,000 lb	0.2 lb	3,000 kg	0.1 kg	250 lb \$8,800.00
100949	CAPXS4U-2500NN	48 × 48 in	3.75 in	4	3,000 lb	0.1 lb	1,500 kg	0.05 kg	390 lb \$11,000.00
100950	CAPXS4U-5000NN	48 × 48 in	3.75 in	4	6,000 lb	0.2 lb	3,000 kg	0.1 kg	390 lb \$11,000.00



# IF Series, Explosion Proof

Weighing Platform Scales



Shown with additional optional features

## Approvals



## Standard Features

- Capacities from 150 kg to 3,000 kg (330 to 6,613 lb) with resolutions up to 30,000 d
- Ultra low profile: standard platform height is 35 mm; optional heights available as low as 25 mm
- Material/surface finish: 304 bead-blasted stainless steel
- Drive-on ramp included with every platform
- No pit required
- Load cells are hermetically sealed, IP68 protection rated
- Convenient for application-oriented weighing systems from processing to the chemical industry
- Standard configuration: AISI 304 stainless steel

## Optional Configurations

- Electro-polished finish
- AISI 304 electro-polished stainless steel platform
- AISI 316Ti electro-polished stainless steel platform

- Ingenious manually-operated lifting mechanism option (patented system) for effortless raising of the platform to facilitate cleaning underneath.
- R2: Cold rolled AISI 316Ti stainless steel, electro-polished
- R6: AISI 304 2b stainless steel, electro-polished
- T4: Stop bar
- T5: Tow bar and stop bar
- T6: Two handles and two rollers
- T7: Retractable wheels (reduces effective resolution to 15,000 dd)
- T9: Additional bottom plate
- T15: Second ramp
- T14: Integrated column
- T13: Four handles

## Applications

- Pharmaceutical, chemical, electronics, food processing, precious metals, metal production and processing

## Specifications

### IP Rating:

IP68

### Cable Length:

19.7 ft (6 m)

### Warranty:

Two-year limited

### Approvals:

FM approved, IFXS4 series, are certified for use in Class 1,2,3, Div. 1, Groups ABCDEFT4 (Verification of Intrinsic Safety included; also covers any explosion protected Minebea components combined with this platform series)

### Regulatory Compliance:

NEMA, HACCP, FDA, GLP/GMP\*, Class 10,000 clean rooms (US Federal Standard 209D) (equivalent to Class C in accordance with EEC-GWP), FM  
\*GLP/GMP requires use of Combics 1 Plus or higher digital weight indicator

### Warranty:

Two-year limited, pending evaluation



PRECISION  
INDUSTRIAL WEIGHING

## Part Number/Price

Part #	Minebea Part #	Weighing Surface Dimensions	# Load Cells	Capacity Readability	Capacity Readability	Capacity Readability	Est. Weight	Price
102530	IFXS4-150GG	23.6 × 23.6 in	4	330 lb	0.01 lb	150 kg	0.005 kg	198 lb   \$15,431.00
102531	IFXS4-300GG	23.6 × 23.6 in	4	660 lb	0.02 lb	300 kg	0.01 kg	198 lb   \$15,431.00
102532	IFXS4-600GG	23.6 × 23.6 in	4	1,320 lb	0.05 lb	600 kg	0.02 kg	198 lb   \$15,431.00
102533	IFXS4-1000GG	23.6 × 23.6 in	4	2,200 lb	0.1 lb	1,000 kg	0.05 kg	198 lb   \$15,431.00
102534	IFXS4-150IG	31.5 × 23.6 in	4	330 lb	0.01 lb	150 kg	0.005 kg	221 lb   \$15,705.00
102536	IFXS4-300IG	31.5 × 23.6 in	4	660 lb	0.02 lb	300 kg	0.01 kg	221 lb   \$15,705.00
102537	IFXS4-600IG	31.5 × 23.6 in	4	1,320 lb	0.05 lb	600 kg	0.02 kg	221 lb   \$15,705.00
102538	IFXS4-1000IG	31.5 × 23.6 in	4	2,200 lb	0.1 lb	1,000 kg	0.05 kg	221 lb   \$15,705.00
102540	IFXS4-150II	31.5 × 31.5 in	4	330 lb	0.01 lb	150 kg	0.005 kg	243 lb   \$15,973.00
102541	IFXS4-300II	31.5 × 31.5 in	4	660 lb	0.02 lb	300 kg	0.01 kg	243 lb   \$15,973.00
102542	IFXS4-600II	31.5 × 31.5 in	4	1,320 lb	0.05 lb	600 kg	0.02 kg	243 lb   \$15,973.00
102543	IFXS4-1000II	31.5 × 31.5 in	4	2,200 lb	0.1 lb	1,000 kg	0.05 kg	243 lb   \$15,973.00
102544	IFXS4-1500II	31.5 × 31.5 in	4	3,300 lb	0.1 lb	1,500 kg	0.05 kg	243 lb   \$15,973.00
102545	IFXS4-150LG	39.4 × 23.6 in	4	330 lb	0.01 lb	150 kg	0.005 kg	243 lb   \$16,505.00
102546	IFXS4-300LG	39.4 × 23.6 in	4	660 lb	0.02 lb	300 kg	0.01 kg	243 lb   \$16,505.00
102547	IFXS4-600LG	39.4 × 23.6 in	4	1,320 lb	0.05 lb	600 kg	0.02 kg	243 lb   \$16,505.00
102548	IFXS4-1000LG	39.4 × 23.6 in	4	2,200 lb	0.1 lb	1,000 kg	0.05 kg	243 lb   \$16,505.00
102549	IFXS4-1500LG	39.4 × 23.6 in	4	3,300 lb	0.1 lb	1,500 kg	0.05 kg	243 lb   \$16,505.00
102550	IFXS4-150LI	39.4 × 31.5 in	4	330 lb	0.01 lb	150 kg	0.005 kg	265 lb   \$17,062.00
102551	IFXS4-300LI	39.4 × 31.5 in	4	660 lb	0.02 lb	300 kg	0.01 kg	265 lb   \$17,062.00
102552	IFXS4-600LI	39.4 × 31.5 in	4	1,320 lb	0.05 lb	600 kg	0.02 kg	265 lb   \$17,062.00
102553	IFXS4-1000LI	39.4 × 31.5 in	4	2,200 lb	0.1 lb	1,000 kg	0.05 kg	265 lb   \$17,062.00

Rails add 16.1 in to width

# IF Series, Explosion Proof

Weighing Platforms

## Part Number/Price

**PRECISION  
INDUSTRIAL WEIGHING**

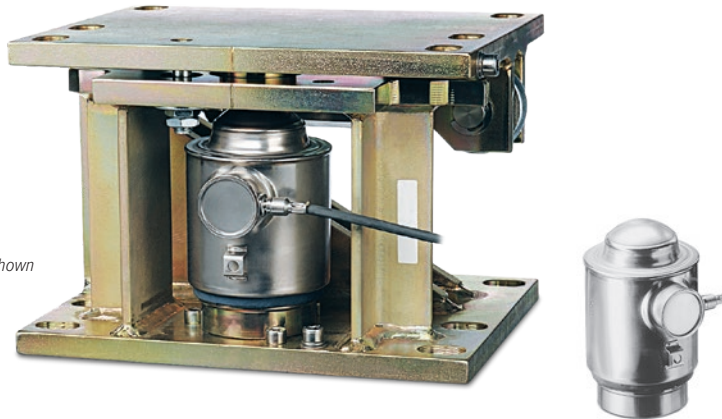
Part #	Minebea Part #	Weighing Surface Dimensions	# Load Cells	Capacity Readability	Capacity Readability	Capacity Readability	Est. Weight	Price	
102554	IFXS4-1500LI	39.4 × 31.5 in	4	3,330 lb	0.1 lb	1,500 kg	0.05 kg	265 lb	\$17,062.00
102555	IFXS4-150LL	39.4 × 39.4 in	4	330 lb	0.01 lb	150 kg	0.005 kg	375 lb	\$17,855.00
102556	IFXS4-300LL	39.4 × 39.4 in	4	660 lb	0.02 lb	300 kg	0.01 kg	375 lb	\$17,855.00
102557	IFXS4-600LL	39.4 × 39.4 in	4	1,320 lb	0.05 lb	600 kg	0.02 kg	375 lb	\$17,855.00
102558	IFXS4-1000LL	39.4 × 39.4 in	4	2,200 lb	0.1 lb	1,000 kg	0.05 kg	375 lb	\$17,855.00
102559	IFXS4-1500LL	39.4 × 39.4 in	4	3,330 lb	0.1 lb	1,500 kg	0.05 kg	375 lb	\$17,855.00
102560	IFXS4-3000LL	39.4 × 39.4 in	4	6,660 lb	0.2 lb	3,000 kg	0.1 kg	375 lb	\$17,855.00
102561	IFXS4-150NL	49.2 × 39.4 in	4	330 lb	0.01 lb	150 kg	0.005 kg	397 lb	\$18,564.00
102562	IFXS4-300NL	49.2 × 39.4 in	4	660 lb	0.02 lb	300 kg	0.01 kg	397 lb	\$18,564.00
102563	IFXS4-600NL	49.2 × 39.4 in	4	1,320 lb	0.05 lb	600 kg	0.02 kg	397 lb	\$18,564.00
102564	IFXS4-1000NL	49.2 × 39.4 in	4	2,200 lb	0.1 lb	1,000 kg	0.05 kg	397 lb	\$18,564.00
102565	IFXS4-1500NL	49.2 × 39.4 in	4	3,330 lb	0.1 lb	1,500 kg	0.05 kg	397 lb	\$18,564.00
102566	IFXS4-3000NL	49.2 × 39.4 in	4	6,660 lb	0.2 lb	3,000 kg	0.1 kg	397 lb	\$18,564.00
102567	IFXS4-150NN	49.2 × 49.2 in	4	330 lb	0.01 lb	150 kg	0.005 kg	481 lb	\$19,353.00
102568	IFXS4-300NN	49.2 × 49.2 in	4	660 lb	0.02 lb	300 kg	0.01 kg	481 lb	\$19,353.00
102569	IFXS4-600NN	49.2 × 49.2 in	4	1,320 lb	0.05 lb	600 kg	0.02 kg	481 lb	\$19,353.00
102570	IFXS4-1000NN	49.2 × 49.2 in	4	2,200 lb	0.1 lb	1,000 kg	0.05 kg	481 lb	\$19,353.00
102571	IFXS4-1500NN	49.2 × 49.2 in	4	3,330 lb	0.1 lb	1,500 kg	0.05 kg	481 lb	\$19,353.00
102572	IFXS4-3000NN	49.2 × 49.2 in	4	6,660 lb	0.2 lb	3,000 kg	0.1 kg	481 lb	\$19,353.00
102573	IFXS4-150RN	59.1 × 49.2 in	4	330 lb	0.01 lb	150 kg	0.005 kg	547 lb	\$20,097.00
102574	IFXS4-300RN	59.1 × 49.2 in	4	660 lb	0.02 lb	300 kg	0.01 kg	547 lb	\$20,097.00
102575	IFXS4-600RN	59.1 × 49.2 in	4	1,320 lb	0.05 lb	600 kg	0.02 kg	547 lb	\$20,097.00
102576	IFXS4-1000RN	59.1 × 49.2 in	4	2,200 lb	0.1 lb	1,000 kg	0.05 kg	547 lb	\$20,097.00
102577	IFXS4-1500RN	59.1 × 49.2 in	4	3,330 lb	0.1 lb	1,500 kg	0.05 kg	547 lb	\$20,097.00
102578	IFXS4-3000RN	59.1 × 49.2 in	4	6,660 lb	0.2 lb	3,000 kg	0.1 kg	547 lb	\$20,097.00
102579	IFXS4-150RR	59.1 × 59.1 in	4	330 lb	0.01 lb	150 kg	0.005 kg	628 lb	\$20,855.00
102580	IFXS4-300RR	59.1 × 59.1 in	4	660 lb	0.02 lb	300 kg	0.01 kg	628 lb	\$20,855.00
102581	IFXS4-600RR	59.1 × 59.1 in	4	1,320 lb	0.05 lb	600 kg	0.02 kg	628 lb	\$20,855.00
102582	IFXS4-1000RR	59.1 × 59.1 in	4	2,200 lb	0.1 lb	1,000 kg	0.05 kg	628 lb	\$20,855.00
102583	IFXS4-1500RR	59.1 × 59.1 in	4	3,330 lb	0.1 lb	1,500 kg	0.05 kg	628 lb	\$20,855.00
102584	IFXS4-3000RR	59.1 × 59.1 in	4	6,660 lb	0.2 lb	3,000 kg	0.1 kg	628 lb	\$20,855.00
102585	IFXS4-150WR	78.7 × 59.1 in	4	330 lb	0.01 lb	150 kg	0.005 kg	739 lb	\$21,615.00
102586	IFXS4-300WR	78.7 × 59.1 in	4	660 lb	0.02 lb	300 kg	0.01 kg	739 lb	\$21,615.00
102587	IFXS4-600WR	78.7 × 59.1 in	4	1,320 lb	0.05 lb	600 kg	0.02 kg	739 lb	\$21,615.00
102588	IFXS4-1000WR	78.7 × 59.1 in	4	2,200 lb	0.1 lb	1,000 kg	0.05 kg	739 lb	\$21,615.00
102589	IFXS4-1500WR	78.7 × 59.1 in	4	3,330 lb	0.1 lb	1,500 kg	0.05 kg	739 lb	\$21,615.00
102590	IFXS4-3000WR	78.7 × 59.1 in	4	6,660 lb	0.2 lb	3,000 kg	0.1 kg	739 lb	\$21,615.00

Rails add 16.1 in to width

## Options/Accessories - Not Available On All Models

Part #	Description	Price
T4	Stop bar	Consult
T5	Tow bar and stop bar	Consult
T6	Two handles and two rollers	Consult
T7	Retractable wheels	Consult
T9	Bottom plate	Consult
T13	Four handles	Consult
T14	Integrated column	Consult
T15	Second ramp	Consult
<b>Stainless Steel</b>		
R2	316, T1, 2B cold-rolled steel, electropolished stainless steel	Consult
R6	304, 2B cold-rolled steel, electropolished stainless steel	Consult

Note: Consult factory for lifting device options and compatibility of combined options



Junction Box not shown

The zinc-plated star mount kit is optimized for the Inteco load cell family to guarantee the best weighing performance. It covers the capacity range from 500 kg up to 300 t. The special design allows a horizontal displacement in the unconstrained direction of the load cell. All constrainers are 100% maintenance free. There are two different materials available: stainless steel or mild steel zinc plated. Its unique design includes a dummy functionality to install the vessel without load cell. The top load disc remains in place even when the load cell is not mounted. The design principle integrates a lift-off protection and built-in stops.

### Standard Features

- Fast and easy installation
- Mounting kit with dummy function included
- Designed to withstand high lateral forces
- Maintenance-free constrainer and module construction
- Patent pending DE 101 38 435A1
- Approval Certificate "Germanischer Lloyd" No. 47-458-03HH
- Load cell output 1 mV/V
- 15-year load cell warranty
- 10,000 division load cell
- 45 kN zinc-plated mount destructive lateral force; 20 kN permissible lift-off protection
- Foot 20 kN lateral force and lift-off protection

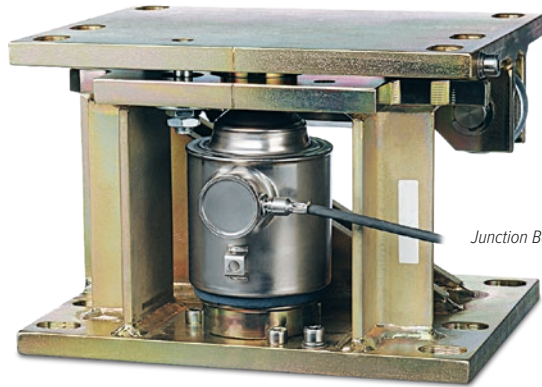
### Zinc-Plated Steel Models

Part #	Minebea Part #	Total Capacity		Load Cell Capacity		Price
<b>3-Module Kit</b>						
158706	Inteco-1531-U	3,300 lb	1,500 kg	1,100 lb	500 kg	\$8,256.25
158708	Inteco-3031-U	6,600 lb	3,000 kg	2,200 lb	1,000 kg	\$8,256.25
158710	Inteco-6031-U	13,200 lb	6,000 kg	4,400 lb	2,000 kg	\$8,256.25
158712	Inteco-9031-U	19,800 lb	9,000 kg	6,600 lb	3,000 kg	\$8,256.25
158716	Inteco-15031-U	33,000 lb	15,000 kg	11,025 lb	5,000 kg	\$8,505.25
158719	Inteco-30031-U	66,000 lb	30,000 kg	22,050 lb	10,000 kg	\$9,189.25
158721	Inteco-60031-U	132,000 lb	60,000 kg	44,100 lb	20,000 kg	\$9,501.25
158723	Inteco-90031-U	198,000 lb	90,000 kg	66,140 lb	30,000 kg	\$9,900.25
158725	Inteco-150031-U	330,500 lb	150,000 kg	110,200 lb	50,000 kg	\$10,863.25
<b>4-Module Kit</b>						
158707	Inteco-2041-U	4,400 lb	2,000 kg	1,100 lb	500 kg	\$10,212.25
158709	Inteco-4041-U	8,800 lb	4,000 kg	2,200 lb	1,000 kg	\$10,212.25
158711	Inteco-8041-U	17,600 lb	8,000 kg	4,400 lb	2,000 kg	\$10,212.25
158713	Inteco-12041-U	26,400 lb	12,000 kg	6,600 lb	3,000 kg	\$10,212.25
158718	Inteco-20041-U	44,000 lb	20,000 kg	11,025 lb	5,000 kg	\$10,544.25
158720	Inteco-40041-U	88,000 lb	40,000 kg	22,050 lb	10,000 kg	\$11,456.25
158722	Inteco-80041-U	176,000 lb	80,000 kg	44,100 lb	20,000 kg	\$11,872.25
158724	Inteco-120041-U	264,500 lb	120,000 kg	66,140 lb	30,000 kg	\$12,404.25
158726	Inteco-200041-U	440,500 lb	200,000 kg	110,200 lb	50,000 kg	\$13,688.25

Complete Kit Includes:

Inteco load cell, PR6001/10 (11) mount, junction box, load cell extension cable;

Four-mount kit includes PR6001/00 or (01) N foot



Junction Box not shown



The stainless steel star mount kit is optimized for the Inteco load cell family to guarantee the best weighing performance. It covers the capacity range from 500 kg up to 300 t. The special design allows a horizontal displacement in the unconstrained direction of the load cell. All constrainers are 100% maintenance free. There are two different materials available: stainless steel or mild steel zinc plated. Its unique design includes a dummy functionality to install the vessel without load cell. The top load disc remains in place even when the load cell is not mounted. The design principle integrates a lift-off protection and built-in stops.

### Standard Features

- Fast and easy installation
- Mounting kit with dummy function included
- Inteco load cell for capacities ranging from 500 kg to 300 t
- Designed to withstand high lateral forces
- Maintenance-free constrainer and module construction
- Patent pending DE 101 38 435A1
- Approval Certificate "Germanischer Lloyd" No. 47-458-03HH
- Load cell output 1 mV/V
- 15-year load cell warranty
- 10,000 division load cell
- 39 kN stainless steel mount destructive lateral force; 20 kN permissible lift-off protection
- Foot 20 kN lateral force and lift-off protection

### Load Cell Certifications



### Stainless Steel Models

Part #	Minebea Part #	Total Capacity		Load Cell Capacity		Price
<b>3-Module Kit</b>						
158727	Inteco-1532-U	3,300 lb	1,500 kg	1,100 lb	500 kg	\$10,098.25
158788	Inteco-3032-U	6,600 lb	3,000 kg	2,200 lb	1,000 kg	\$10,098.25
158731	Inteco-6032-U	13,200 lb	6,000 kg	4,400 lb	2,000 kg	\$12,476.25
158733	Inteco-9032-U	19,800 lb	9,000 kg	6,600 lb	3,000 kg	\$10,098.25
158735	Inteco-15032-U	33,000 lb	15,000 kg	11,025 lb	5,000 kg	\$10,347.25
158737	Inteco-30032-U	66,000 lb	30,000 kg	22,050 lb	10,000 kg	\$11,031.25
158739	Inteco-60032-U	132,000 lb	60,000 kg	44,100 lb	20,000 kg	\$11,343.25
158741	Inteco-90032-U	198,000 lb	90,000 kg	66,140 lb	30,000 kg	\$11,742.25
158743	Inteco-150032-U	330,500 lb	150,000 kg	110,200 lb	50,000 kg	\$12,705.25
<b>4-Module Kit</b>						
158729	Inteco-2042-U	4,400 lb	2,000 kg	1,100 lb	500 kg	\$12,476.25
158730	Inteco-4042-U	8,800 lb	4,000 kg	2,200 lb	1,000 kg	\$10,098.25
158732	Inteco-8042-U	17,600 lb	8,000 kg	4,400 lb	2,000 kg	\$10,098.25
158734	Inteco-12042-U	26,400 lb	12,000 kg	6,600 lb	3,000 kg	\$10,098.25
158736	Inteco-20042-U	44,000 lb	20,000 kg	11,025 lb	5,000 kg	\$12,808.25
158738	Inteco-40042-U	88,000 lb	40,000 kg	22,050 lb	10,000 kg	\$13,720.25
158740	Inteco-80042-U	176,000 lb	80,000 kg	44,100 lb	20,000 kg	\$14,136.25
158742	Inteco-120042-U	264,500 lb	120,000 kg	66,140 lb	30,000 kg	\$14,668.25
158744	Inteco-200042-U	440,500 lb	200,000 kg	110,200 lb	50,000 kg	\$15,952.25

Complete Kit Includes:

Inteco load cell, PR6001/10 (11) mount, junction box, load cell extension cable;

Four-mount kit includes PR6001/00 or (01) N foot

PRECISION INDUSTRIAL WEIGHING



The PR6202 range of load cells is specially designed to meet the high demands of the food, pharmaceutical and chemical industries. These products are made completely from stainless steel and are specially designed for use with process vessels. All horizontal surfaces are inclined for easy draining, and gaps and undercuts have purposely been avoided. The materials and surface quality were also selected to ensure the load cell meets tried and tested international standards and specifications. Its unique design principle enables it to compensate for motions caused by mechanical/thermal contractions or expansions of containers and/or padding construction in combination with its mounting kit, which has been specially designed for this area of application. The PR6202 is designed for consistent, high accuracy.

Load Cell Certifications



Zinc-Plated Steel Options

Part #	Minebea Part #	Total Capacity	Load Cell Capacity	Price
<b>3-Module Kit</b>				
158761	PR6202-3032-U	6,600 lb	3,000 kg	\$13,455.25
158764	PR6202-6032-U	13,200 lb	6,000 kg	\$13,455.25
158767	PR6202-12032-U	26,000 lb	12,000 kg	\$13,821.25
158770	PR6202-18032-U	39,500 lb	18,000 kg	\$13,821.25
158772	PR6202-30032-U	66,000 lb	30,000 kg	\$13,821.25
158929	PR6202-75032-U	165,000 lb	75,000 kg	\$14,184.25
158775	PR6202-150032-U	330,500 lb	150,000 kg	\$16,137.25
<b>4-Module Kit</b>				
158762	PR6202-4042-U	8,800 lb	4,000 kg	\$16,724.25
158765	PR6202-8042-U	17,600 lb	8,000 kg	\$16,724.25
158769	PR6202-16042-U	35,000 lb	16,000 kg	\$17,212.25
158771	PR6202-24042-U	52,900 lb	24,000 kg	\$17,212.25
158773	PR6202-40042-U	88,000 lb	40,000 kg	\$17,212.25
158774	PR6202-100042-U	220,000 lb	100,000 kg	\$17,696.25
158776	PR6202-200042-U	440,500 lb	200,000 kg	\$20,300.25

Complete Kit Includes:  
PR6202 load cell, PR6002/10S (11S) mount, junction box, load cell extension cable;  
Four-mount kit includes PR6002/04S or (05S) foot

Standard Features

- Proven rocker pin principle for accurate repeatability
- Easy corner adjustment by matched load cell output
- All stainless steel construction (316 stainless steel load cells)
- Wide operating temperature range
- High overload capacity
- Resists vibration for consistent high accuracy
- Hermetically sealed, IP68/69K (depth of 1.5 m for 10,000 hours)
- EX-version available (PR 6202/..E)
- 10,000 division load cell, 2 mV/V
- 15-year warranty
- 50 kN destructive lateral force, and 25 kN permissible lift-off protection
- Foot 35 kN lateral force and lift-off protection

PRECISION  
INDUSTRIAL WEIGHING



# Contego-Hygienic Weigh Module Kits

Lateral Cable Outlet



Junction Box not shown

The protective cover made of FDA-compliant silicone ensures a reliable encapsulation of the module and prevents the intrusion of dirt and microorganisms. The connecting geometry between protective cover and mounting plates guarantees a safe fitting and, together with the already excellent resistance to aging of the silicone, ensures reliable protection over years.

The Contego® weighing module therefore represents an absolutely hygienic unity of load cell and installation kit. As a result, you can refrain from using other expensive and complicated constructions to protect the weighing technology against dirt.

Besides the hygienic aspect, the Contego weighing module provides all the other important mechatronic functions for a fast operational startup and reliable results. The integrated constraint holds the process vessel in the proper position and, at the same time, allows movement through thermal expansion of the vessel. The integrated lift-off protector is a reliable safety feature to protect the vessel from tilting. At the same time, this feature can be used as a lifting system as well. This way, the vessel leg can be raised a few millimeters without using supplemental tools.

A PR6241 S-type load cell is used with this module. This series is distinguished by its unmatched reliability, robustness and stability, enabling years of undisturbed usage without any readjustment, in addition to the high measuring accuracy and reproducibility.

PRECISION INDUSTRIAL WEIGHING

## Load Cell Certifications



## Options/Accessories

Part #	Type	Minebea Part #	Description	Price
160438	PR6041/80S	9405 360 41802	Bottom plate, tank leg connection	\$460.00

## Lateral Cable Outlet Options

Part #	Minebea Part #	Total Capacity	Load Cell Capacity		Price	
<b>3-Module Kit</b>						
158832	CTG-332A-U	660 lb	300 kg	220 lb	100 kg	\$10,677.25
158834	CTG-632A-U	1,300 lb	600 kg	440 lb	200 kg	\$10,677.25
158892	CTG-932A-U	1,900 lb	900 kg	660 lb	300 kg	\$10,677.25
158837	CTG-1532A-U	3,300 lb	1500 kg	1,100 lb	500 kg	\$10,677.25
158839	CTG-3032A-U	6,600 lb	3000 kg	2,200 lb	1,000 kg	\$10,677.25
158841	CTG-6032A-U	13,200 lb	6,000 kg	4,400 lb	2,000 kg	\$10,677.25
<b>4-Module Kit</b>						
158833	CTG-442A-U	880 lb	400 kg	220 lb	100 kg	\$13,992.25
158835	CTG-842A-U	1,700 lb	800 kg	440 lb	200 kg	\$13,992.25
158836	CTG-1242A-U	2,500 lb	1200 kg	660 lb	300 kg	\$13,992.25
158838	CTG-2042A-U	4,400 lb	2000 kg	1,100 lb	500 kg	\$13,992.25
158840	CTG-4042A-U	8,800 lb	4000 kg	2,200 lb	1,000 kg	\$13,992.25
158842	CTG-8042A-U	17,600 lb	8000 kg	4,400 lb	2,000 kg	\$13,992.25

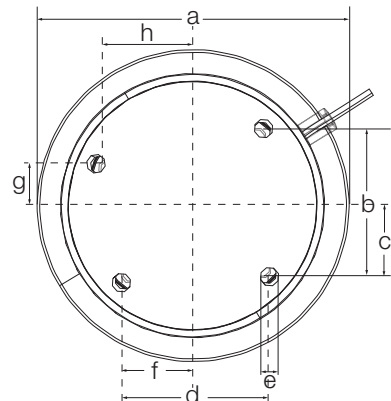
Complete Kit Includes:  
Contega load cell, junction box, load cell extension cable

## Dimensions

Rated Capacity	A	B	C	D	E	F	G	H
in/mm								
Lateral cable	8.3 in (210 mm)	3.7 in (94 mm)	1.9 in (47 mm)	3.7 in (94 mm)	0.5 in (12 mm)	1.9 in (47 mm)	1.1 in (29 mm)	2.4 in (60 mm)

## Standard Features

- Compact and absolute hygienic weighing solution for a load range up to 2 t
- Quick and seamless installation
- Easy cleaning without residue
- High chemical resistance
- Protective cover made of FDA-compliant silicone
- Integrated S-like lift-off protector and jack-up function with constrainer for horizontal forces
- Proven rocker pin principle for accurate repeatability
- 10,000 divisions
- Load cell, 2 mV/V
- 15-year load cell warranty
- 30 kN destructive lateral force and 8 kN permissible lift-off protection





# PR5220 Ethernet TCP/IP Transmitter



The PR5220 Ethernet transmitter sets new standards in process instrumentation. The standard Ethernet TCP/IP interface enables easy transmission of information to superordinate systems.

## Standard Features

- Configuring via VNC
- OPC server
- Full digital signal processing with up to 4.8 Mio divisions internal resolution
- SmartCalibration feature for fast calibration even without weights
- Requires supply voltage of 24 VDC
- IP20 housing, DIN Rail Mount
- Verifiable with remote display up to 10,000 e, CL III (EN 45501, OIML R76)
- Precision analog output
- Serial RS-485/422 interface
- CD supplied with software suite
- 10,000 divisions at six samples per second

## Specifications

### Housing:

Housing IP20 according to DIN 40050  
Mounting on DIN Rail 35 mm according to DIN 46277  
Material: polyamide RoHS conform

### Dimensions:

(L × W × H)  
Version 00: 3.9 × 4.6 × 1.77 in  
(99 × 116 × 45 mm)  
Versions 01, 04, 06, 07: 3.9 × 4.6 × 2.68 in  
(99 × 116 × 68 mm)

### Supply Voltage:

24 VDC, ± 20%

### Power Consumption:

6 W / 8 W (Versions /01, /04, /06, /07)

### Control Outputs:

Quantity: 3 opto-isolated output, passive  
Voltage: max. 30 VDC  
Current: max. 30 mA  
Functions: Limits, weight status

## Specifications (cont.)

### Control Inputs:

Quantity: 3, opto-isolated input, passive  
Functions: zero setting, taring  
Voltage: max. 30 VDC  
Current: max. 10 mA

### In-Output:

All I/O circuits fully galvanically isolated from sensor input and supply

### Load Cell Connection:

All strain gauge load cells; 6 or 4 wire connection

### Load Cell Supply:

12V, short-circuit proof. External load cell supply possible

### Minimum Load Impedance:

Min. 75 ohm e.g. 6 load cells with 600 ohm or 4 load cells with 350 ohm

### Measuring Principle:

Measuring amplifier: Delta-Sigma converter  
Measuring time: min 5 ms - max. 1600 ms

### Input Range:

7.5 mV (appr. 4.8 Mio. div.)  
Usable resolution: 0.2 µV/d

### Input Signal:

Measuring signal: 0 to 36 mV  
(for 100 % nominal load)

### Linearity:

< 0.002 %

### Temperature Effects:

Zero: TK0 m < 0.02 µV/K RTI  
Span: TKspan < +/- 2 ppm/K

### Digital Filter for Load Cell:

4th order (low pass), Bessel, aperiodic or Butterworth

### Ethernet Interface (functions):

Ethernet IP and Modbus/TCP  
Definition of an IP address: – AutoIP; – DHCP Server classification; – manual entering of an IP address  
Automatic detection of signal transmission and corresponding change over (cross-over or patch cable) Webservice via SOAP/UPnP (Simple Object Access Protocol) Synchronal Modbus UDP

### Status Indicator:

Status LEDs to signal operation and error conditions.

### Analogue Output:

0 to 10 or 4-20 mA, internal resolution 16-bit, usable step-width: 0.5 µA max. load 500 Ω; user configurable

### Serial Interfaces:

RS422/485 via screw terminals  
Protocol: Remote display, SMA and Minebea digital scales (XBPI-protocol)

### Electrical Connections:

All electrical connections via modular screw terminals for 2.5 mm 2 max. System Phoenix/COMBICO

### Temperature:

WandM: 14 °F to 104 °F (–10 °C to 40 °C)  
Operation: 14 °F to 122 °F (–10 °C to 50 °C)  
Storage: –40 °F to 158 °F (–40 °C to 70 °C)

### Weight:

Version 00:  
Net: 0.29 kg  
Versions 01, 04, 06, 07  
Net: 0.35 kg

### Approvals:

10,000 e class III acc. to EN 45501; according to OIML R76, min. verification interval: 0.5 µV/e

## Part Number/Price

Part #	Type	Minebea Part #	Description	Price
158856	PR5220/00	940515220003	PR5220 Ethernet Transmitter TCP/IP, 4-20 mA	\$1,953.00
158857	PR5220/01	940515220013	PR5220 Ethernet Transmitter TCP/IP, 4-20 mA with Profibus DP	\$2,350.00
158858	PR5220/04	940515220043	PR5220 Ethernet Transmitter TCP/IP, 4-20 mA with DeviceNet	\$2,350.00
158859	PR5220/06	940515220063	PR5220 Ethernet Transmitter TCP/IP, 4-20 mA with ProfiNet	\$2,350.00
158891	PR5220/07	940515220073	PR5220 Ethernet Transmitter TCP/IP, 4-20 mA with EtherNet IP	\$2,350.00

# PR5230 Fieldbus Transmitter



The fieldbus transmitter PR5230 is a product for readout and transmit weight values to installed networks and control systems. LCD display is configurable and displays up to 10 items, and can be installed at the process. Through the different interface upgrade possibilities and the robust stainless steel housing, the PR5230 is an innovative and flexible process unit.

## Load Cell Certifications



## Standard Features

- IP66, stainless steel, electro-polished construction
- Display for weight and status information
- OIML approval for 10,000e, and an internal resolution of 4 and 8 Mio. counts
- SmartCalibration feature for fast calibration even without weights
- Serial Interface RS-485/422 and RS-232
- Option cards: Analog output 0 to 10 or 4-20 mA, DeviceNet and Ethernet/IP
- Load cell connection board for up to four load cells

## Specifications

### Housing:

Stainless steel electro-polished  
IP66, RoHS compliant

### Dimensions:

(L × W × H)  
13.78 × 9.84 × 5.91 in  
(350 × 250 × 150 mm)

### Weight:

Net: 1.45 kg (3.2 lb)

## Specifications (cont.)

### Display and Status:

LCD, transfective, back-lit  
Weight: 6-digits  
Size: 128 × 64 -pixel, graphic  
Information can be configured  
Status LEDs to signal operation and error conditions

### Internal Keys:

In the housing: 3 keys for Zero, Tare, Test

### Supply Voltage:

230 VAC, (+10/-15 %): 24 VDC, (±20 %)

### Power Consumption:

11 W

### Control Outputs:

Quantity: 3  
Relay output, passive  
Functions: Limits, weight status  
Voltage: max. 30 VDC  
Current: max. 30 mA

### Control Inputs:

Quantity: 3 opto-isolated input, passive  
Functions: zero setting, taring  
Voltage: max. 30 VDC  
Current: max. 10 mA

## Specifications (cont.)

### Remote I/O:

The I/O can be set internally via a function and remote via fieldbus or PC

### In/Output:

All I/O circuits fully galvanically isolated from sensor input and supply 3 inputs/3 outputs (relays)

### Load Cell Connection:

All strain gauge load cells; 6 or 4 wire connection

### Load Cell Supply:

12 V, short-circuit proof. External load cell supply possible.

### Minimum Load Impedance:

Min. 75 ohm (e.g. 6 load cells with 600 ohm or 4 load cells with 350 ohm)

### Measuring Principle:

Measuring amplifier: Delta-Sigma converter  
Measuring time: min 5 ms – max. 1600 ms

### Accuracy:

7.5 nV (appr. 4.8 Mio. div.)

### Usable Resolution:

0.2 µV/d

### LC Input Signal:

Measuring signal: 0 bis 36 mV  
(for 100 % nominal load)

### WandM Approval (in preparation):

10,000 e class III acc. to EN 45501; according to OIML R76, min. verification interval: 0.5 µV/e at 160 ms

### Linearity:

< 0.003 %

### Temperature Effects:

Zero: TK0 m < 0.05 µV/K  
RTI

Span: TKspan < ±2.5 ppm/K

### Digital Filter for Load Cell:

4th order (low pass), Bessel, aperiodic or Butterworth Ethernet Interface for Optional IP Card: Ethernet TCP/IP and Modbus® TCP  
Definition of an IP address: – AutoIP; – DHCP Server classification; – manual entering of an IP address  
Automatic detection of signal transmission and corresponding change over (cross-over or patch cable)  
Web service via SOAP/UPnP (Simple Object Access Protocol) Synchronal Modbus UDP

### Serial Interfaces:

RS 422/485 and RS232 Protocols: Remote Display, SMA, Modbus RTU, printer and Minebea digital scales (XBPI – protocol)

### Options Analogue Output PR 5230/06 (C11):

0-10 VDC or 4-20 mA, internal resolution 16 bit, usable stepwidth: 0.5 µA max. load 500 O, user configurable

### Fieldbus PR 1721/4x (C2x):

Profibus®-DP, Interbus-S, DeviceNet®, CC-Link, Profinet® and EtherNet/IP®

### Load Cell Connection Board

#### PR 5230/22 (C31):

For the internal connection of up to 4 load cells (instead using a cable junction box)

### Environmental Conditions Temperature:

WandM: 14 °F to 104 °F (–10 °C to 40 °C)  
Operation: 14 °F to 122 °F (–10 °C to 50 °C)  
Storage: –4 °F to 158 °F (–20 °C to 70 °C)

### ATEX Approvals PR 5230:

II 3G Ex nA nC IIC T4  
II 3D Ex tD A22 IP6X T80° C  
SAG 09ATEX004X  
II (2)G [Ex ib IIC  
II (2)D [Ex ibD  
KEMA 10 ATEX 0065 X

## Part Number/Price

Part #	Type	Minebea Part #	Description	Price
158861	PR5230/00	9405 152 30000	PR5230 transmitter in field housing	\$2,754.00

## Options/Accessories

Part #	Type	Minebea Part #	Description	Price
158863	PR1721/57	9405 317 21571	EtherNet IP interface module	\$1,265.00
158864	PR1721/44	9405 317 21441	DeviceNet interface module	\$1,110.00
160431	PR5230/06	9405 352 30061	0-10 or 4-20 mA interface module	\$204.00

# DIGI DSX-1000

High Precision Checkweigher



## Standard Features

- Full color touchscreen display
- Six-digit display
- Splash-proof housing
- RS-232C interface

## Specifications

### Power AC:

100 to 240 V

### Power Consumption:

22 W

### Operating Temperature:

14 °F to 104 °F (-10 °C to 40 °C)

### Operating Humidity:

15% to 85% relative humidity

### Resolution:

Internal: 300,000 counts

### Warranty:

Two-year limited

### Approvals:

UL

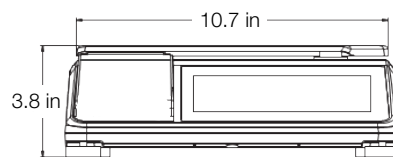
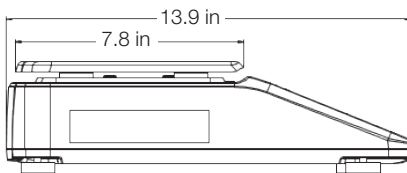
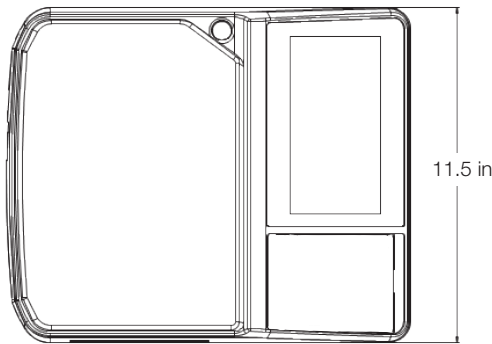
PRECISION  
INDUSTRIAL WEIGHING

## Approvals



## Part Number/Price

Part #	Description	Price
178183	600 g × 0.05 g	\$685.00
178185	6 kg × 0.5 g	\$685.00
178187	15 kg × 2 g	\$685.00





# Printers

## Table of Contents

<b>Rice Lake SURVIVOR® SST4™</b> ..... 882	<b>Fantastock</b> ..... 903
<i>Washdown Label Printer</i>	<i>Thermal Transfer Label</i>
<b>Rice Lake GUARDIAN™</b> ..... 883	<b>TTT Standard</b> ..... 904
<i>Stainless Steel Printer Enclosure</i>	<b>SDR Super Durable Ribbon</b> ..... 904
<b>Rice Lake GUARDIAN G-2™</b> ..... 883	<b>MaxWax™ GPR</b> ..... 905
<i>Steel Printer Enclosure</i>	<i>General-Purpose Ribbon</i>
<b>Rice Lake POLY GUARD</b> ..... 884	<b>Tape and Ticket Printer</b>
<i>Clear Printer Enclosure</i>	<b>Impact Ribbons</b> ..... 906
<b>Honeywell® PD45S</b> ..... 885	<b>Tape Printer Paper Supplies</b> ..... 907
<i>Direct Thermal/Thermal Transfer Label Printer</i>	<b>Electronic Scale Tickets</b> ..... 908
<b>Honeywell® PM45</b> ..... 886	<b>Mechanical Scale Tickets</b> ..... 909
<i>Direct Thermal/Thermal Transfer Label Printer</i>	<i>Create Your Own Custom Ticket</i>
<b>Honeywell® PX940</b> ..... 887	<b>Replacement Printheads</b> ..... 910
<i>Direct Thermal/Thermal Transfer Label Printer</i>	<b>Printer Cables</b> ..... 911
<b>EPSON® TM-T88VI</b> ..... 888	<b>Dust Covers</b> ..... 912
<i>Direct Thermal POS Receipt Printer</i>	
<b>EPSON® TM-U220</b> ..... 889	
<i>Tape Printer</i>	
<b>EPSON® TM-U295</b> ..... 890	
<i>Ticket Printer</i>	
<b>EPSON® TM-U590</b> ..... 891	
<i>Ticket Printer</i>	
<b>GoDEX® DT2x</b> ..... 892	
<i>Direct Thermal Label Printer</i>	
<b>GoDEX® DT4xW</b> ..... 893	
<i>Direct Thermal Label Printer</i>	
<b>GoDEX® G500</b> ..... 894	
<i>Direct Thermal/Thermal Transfer Label Printer</i>	
<b>Star® SP742</b> ..... 895	
<i>Dot Matrix Printers</i>	
<b>Star® TSP 847</b> ..... 896	
<i>Receipt Thermal Printer</i>	
<b>Star® TSP743 II</b> ..... 897	
<i>Direct Thermal Printer</i>	
<b>Zebra® ZD411</b> ..... 898	
<i>Label Printer</i>	
<b>Zebra® ZD421</b> ..... 899	
<i>Direct Thermal Label Printer</i>	
<b>Zebra® ZQ630</b> ..... 900	
<i>Direct Thermal Mobile Printer</i>	
<b>DTL</b> ..... 901	
<i>Direct Thermal Label</i>	
<b>DTL Plus/DTT</b> ..... 902	
<i>Direct Thermal Labels</i>	
<b>DTL-SYN</b> ..... 902	
<i>Direct Thermal Label</i>	
<b>TTL</b> ..... 903	
<i>Thermal Transfer Label</i>	

Product names, logos, brands and other trademarks featured or referred to within this publication are the property of their respective trademark holders.

# Rice Lake SURVIVOR® SST4™

Washdown Label Printer



## Standard Features

- Washdown 304 stainless steel enclosure
- Direct thermal
- 203 dpi printhead
- Label length detection
- Real-time clock
- USB, serial or parallel communications
- Line mode

## Options

- Thermal transfer
- Heater
- Bluetooth®
- Wireless LAN (802.11 b/g/n)
- External label roll holder for 10 in (250 mm) OD label rolls
- External label rewinder
- Label dispenser and internal rewinder (factory installed)

## Specifications

### Print Speed:

10 in per second (254 mm)

### Supply Roll Capacity:

8 in (203 mm) O.D. on  
1.5 to 3.0 in (38 to 76 mm) core

### Bar Code Modulus:

5 mil to 55 mil "X" dimension in picket fence or ladder orientations

### Media Width:

4.09 in (104 mm)

### Media Type:

Roll fed, die-cut or continuous labels; perforated or continuous tag/ticket stock

### Print Length:

0.25 to 99 in (6 mm to 247 cm)

### Media Thickness:

0.0025 to 0.0100 in  
(0.0635 to 0.254 mm)

### 1-D Bar Codes:

Code 39, Code 93, EAN 8/13 (add on 2 & 5), UPC A/E (add on 2 & 5), I 2 of 5 & I 2 of 5 with Shipping Bearer Bars, Codabar, Code 128 (subset A, B, C), EAN 128, RPS 128, UCC 128, UCC/EAN-128 K-Mart, Random Weight, Post NET, ITF 14, China Postal Code, HIBC, MSI, Plessey, Telepen, FIM, GS1 DataBar, German Post Code, Planet 11 & 13 digit, Japanese Postnet, I 2 of 5 with human readable check digit, Standard 2 of 5, Industrial 2 of 5, Logmars, Code 11, Code 49, Cadablock

### 2-D Bar Codes:

PDF417, Micro PDF417, Datamatrix code, Maxicode, QR code, Micro QR code and Aztec code

### Graphics Support:

PCX and BMP files

### Memory:

128 MB FLASH  
23 MB SDRAM

### Material:

304 stainless steel

### IP Rating:

IP69K

### Interfaces:

RS-232, USB, Ethernet TCP/IP

### Power Source:

Switching power 100 to 240 VAC, 50/60 Hz input

### Operating Temperature:

41 °F to 104 °F (5 °C to 40 °C)

### Warranty:

One-year limited  
Printhead (original):  
One-year or 1 million linear inches  
Print head (replacement): 90 days

## Part Number/Price

Part #	Description	Est. Weight	Price
209110	SST4 direct thermal	70 lb	\$5,230.00
209111	SST4 direct thermal with heater installed	70 lb	\$5,945.00
209112	SST4 direct thermal with Wi-Fi	70 lb	\$6,590.00
209113	SST4 direct thermal with Wi-Fi and heater installed	70 lb	\$7,275.00
209114	SST4 direct thermal with internal rewind	70 lb	\$5,790.00
209115	SST4 direct thermal with internal rewind and heater installed	70 lb	\$6,520.00
209116	SST4 direct thermal with internal rewind and Wi-Fi	70 lb	\$7,170.00
209117	SST4 direct thermal with internal rewind, Wi-Fi and heater installed	70 lb	\$7,899.00

## Options/Accessories

Part #	Description	Price
111121	Heater kit for SST4 115 VAC (for installs after printer has been purchased)	\$730.00
111872	Heater kit for SST4, 230 VAC (for installs after printer has been purchased)	\$535.00
35664	Pre-saturated cleaning cards, 4 × 6 in, 25/box	\$60.00
93181	Film, printhead cleaning 4 in wide, three/box	\$21.50

### Label Stock/Ribbon (W × L)

21776	Direct thermal, 3 × 3 in, 8 in diameter with perf., 2,000/roll	\$70.00/roll
150921	Direct thermal, 4 × 6 in, 8 in diameter with perf., 1,000/roll	\$36.50/roll
25975	Direct thermal, 4.25 × 2.5 in, 6 in diameter with perf., 1,095/roll	\$30.75/roll
21785	Thermal transfer, 2 × 1 in, 8 in diameter, 5,500/roll	\$15.55/roll
21788	Thermal transfer, 4 × 6 in, 8 in diameter, 1,000/roll	\$21.50/roll
20573	Thermal transfer, 4 × 6.5 in, 8 in diameter, 900/roll	\$23.00/roll
126629	Thermal kit, (4) 4 in labels, (2) 4 in ribbons and cleaning card	\$170.00
34056	Wax ribbon, black, 4 in 1,182 ft (required for thermal transfer labels)	\$30.50/roll

### Maintenance/Replacement Components

209107	Printhead 203 dpi, SST4	\$260.00
209136	Board, main	\$345.00
209137	Power supply	\$235.00
209138	Display, front panel	\$245.00
209139	Power cord	\$15.00

### Cables

41276	DB9 male RS-232 serial data cable with blunt end (Rice Lake indicators)	\$77.00
64794	DB9 RS-232 serial data cable with DB9F to DB9M	\$69.00
79074	USB-A (male) to USB-B (male) cable, 6ft	\$35.00
Consult	Custom 20 mA/RS-232 serial interface cable	\$100.00

Custom cables are designed to interface with your specific equipment.

Please specify equipment model number and connector type.

Standard cable length is 5ft. \$2.00 charge for each additional foot.



# Rice Lake GUARDIAN™

Stainless Steel Printer Enclosure



Guardian Plus/Guardian Max

## Standard Features

- Designed to protect various printers from harsh washdown environments
- Single lift-and-turn latch for easy access
- Adjustable anti-skid feet for easy leveling alignment and cleaning under unit
- Sliding label-access door
- Heavy-gauge 304 stainless steel construction for durability

## Specifications

### Enclosure:

Stainless steel; piano-style hinge

### Dimensions:

(L x W x H)  
21.25 x 14.25 x 14.25 in  
(540 x 361 x 361 mm)

### Warranty:

One-year limited

## Part Number/Price

Part #	Description	Est. Weight	Price
66762	Guardian stainless steel printer enclosure for Honeywell® I-4206, I-4208, I-4308, I-4212, Mark II PM45 and PD45SS	38 lb	\$5,700.00

Consult factory for additional models and pricing

PRINTERS

# Rice Lake GUARDIAN G-2™

Steel Printer Enclosure



Guardian G-2

## Standard Features

- Designed to protect various printers from harsh washdown environments
- Single lift-and-turn latch for easy access
- Adjustable anti-skid feet for easy leveling alignment and cleaning under unit
- Sliding label-access door
- Heavy-gauge 304 stainless steel construction for durability

## Specifications

### Enclosure:

304 stainless steel

### Dimensions:

(L x W x H)  
18.50 x 12.75 x 8.25 in  
(324 x 209.5 x 469.9 mm)

### Weight:

Approximately 30 lb (13.6 kg)

### Warranty:

One-year limited

## Part Number/Price

Part #	Description	Est. Weight	Price
78672	Guardian, G-2 for Zebra TLP2844	24 lb	\$1,210.00
99465	Guardian, G-2, LP2844, GKD	24 lb	\$1,210.00
107638	Guardian, G-2 RL-42DT, DT4	24 lb	\$1,210.00
107639	Guardian, G-2 RL-42TT, G500	24 lb	\$1,210.00

## Options/Accessories

Part #	Description	Price
46341	Heater option	\$225.00
46342	Fan option	\$120.00

# Rice Lake POLY GUARD

Clear Printer Enclosure



## Standard Features

- Designed for use in meat and food processing plants
- Cover separates from bottom
- Power and data cable feed through sealed notch in back of enclosure
- Side door for easy label loading

## Specifications

### Dimensions:

(L x W x H)

24.50 x 14.00 x 14.75 in

Add 0.50 in sides for latches and 0.50 in side door

### Weight:

24 lbs

### Enclosure:

0.25 in polycarbonate

Base-natural polyethylene (butcher's block)

### Warranty:

90-day limited

## Part Number/Price

Part #	Description	Price
88532	Enclosure, Honeywell® I-Class (PM45 and PD45S)	\$1,530.00
Consult	Additional models available	Consult

## Options/Accessories

Part #	Description	Price
Consult	Ventilation fan	Consult
Consult	Heater assembly with power	Consult

PRINTERS

# Honeywell® PD45S

Direct Thermal/Thermal Transfer Label Printer



## Approvals



## Part Number/Price

Part #	Description	Est. Weight	Price
209079	Label printer, PD45S thermal transfer, 203 dpi, 115/230VAC Requires power cord 15438 (sold separately)	27 lb	\$2,000.00
209080	Label printer, PD45S thermal transfer, 203 dpi, 115/230VAC, with peel and present, internal rewind Requires power cord 15438 (sold separately)	27 lb	\$2,500.00
209081	Label printer, PD45S thermal transfer, 300dpi, 115/230VAC, with peel and present, internal rewind Requires power cord 15438 (sold separately)	27 lb	\$2,600.00

## Options/Accessories

Part #	Description	Price
15438	US power cord	\$25.00
35664	Pre-saturated cleaning cards, 4 x 6 in 25/box	\$60.00
93181	Film, printhead cleaning 4 in wide, 3/box	\$21.50
<b>Label Stock/Ribbon (W x L)</b>		
21776	Direct thermal, 3 x 3 in, 8 in diameter with perf., 2,000/roll	\$70.00/roll
150921	Direct thermal, 4 x 6 in, 6 in diameter with perf., 1,000/roll	\$36.50/roll
25975	Direct thermal, 4.25 x 2.5 in, 6 in diameter, with perf. 1,095/roll	\$30.75/roll
21785	Thermal transfer, 2 x 1 in, 8 in diameter, 5,500/roll	\$15.55/roll
21788	Thermal transfer, 4 x 6 in, 8 in diameter, 1,000/roll	\$21.50/roll
20573	Thermal transfer, 4 x 6.5 in, 8 in diameter, 900/roll	\$23.00/roll
34056	Ribbon, black, 4 in, 1,181 ft, wax	\$30.50/roll
126629	Thermal kit, (4) 4 x 4 in labels, (2) 4 in ribbons and 1 cleaning card	\$170.00
<b>Printhead</b>		
209251	Printhead 203 dpi, Honeywell® PD45S	\$685.00
209252	Printhead 300 dpi, Honeywell® PD45S	\$758.00
<b>Cables</b>		
41276	DB9 male RS-232 serial data cable with blunt end (Rice Lake indicators)	\$77.00
64794	DB9 RS-232 serial data cable with DB9F to DB9M	\$69.00
37527	6 ft parallel cable	\$37.00
79074	USB-A (male) to USB-B (male) cable, 6ft	\$35.00

## Standard Features

### (REPLACING M-CLASS PRINTERS)

- 203 dpi or 300 dpi
- Serial, USB, wired TCP/IP
- Real-time clock
- Color graphical display

## Options

- Consult (to be determined)

## Specifications

### Print Speed:

203 dpi: 2 to 10 ips  
300 dpi: 2 to 8 ips

### Supply Roll Capacity:

8 in (203 mm) O D on 1.5 to 3.0 in  
(38 mm to 76.2 mm) cores  
Fanfold stock accepted from rear and bottom  
of printer

### Bar Code Modulus:

5 mil to 55 mil "X" dimension in picket fence or  
ladder orientations

### Media Width:

0.75 to 4.5 in (17 to 114 mm)

### Media Type:

Roll fed or fan-fold materials, die-cut or continuous  
labels; perforated or continuous tag/ticket stock

### Print Length:

0.25 to 99 in (6 to 2,475 mm)

### Media Thickness:

0.0025 to .01 in (0.0635 to 0.254 mm)

### Ribbons:

Industry standard ribbon widths; 1 in (25 mm)  
ribbon core, 1,476 ft (450 m) in length

### Bar Codes:

Code 3 of 9, UPC-A, UPC-E, Interleaved  
2 of 5, Code 128, EAN-8, EAN-13, HIBC,  
Codabar, Plessey, UPC 2 and 5 digit  
addendums, Code 93, Postnet, UCC/EAN  
Code 128, Telepen, UPS MaxiCode, FIM,  
PDF417, USD-8, Datamatrix, QR Code, Aztec,  
TLC 39, Micro PDF417, RSS

### Graphics Supported:

.PCX, .BMP and .IMG files

### Dimensions:

(L x H x W)  
438 x 270 x 249 mm  
(17.24 x 10.63 x 9.80 in)

### Weight:

10.82 kg (23.85 lbs)

### Memory:

128 MB RAM

### Processor:

Arm Cortex®-A7 800 MHz

### Power Source:

Auto-sensing 90 to 132 or 180 to 264 VAC at  
47 to 63 Hz

### Operating Temperature:

40 °F to 95 °F (4 °C to 35 °C)

### Warranty:

One-year limited  
Printhead (original):  
One-year or 1 million linear inches  
Print head (replacement): 90 days

### Approvals:

CE  
FCC  
UL  
CSA certified  
TUV-GS safety standards  
RoHS  
WEE compliant

PRINTERS

# Honeywell® PM45

Direct Thermal/Thermal Transfer Label Printer



Icon LED version  
(no display)

## Approvals



## Part Number/Price

Part #	Description	Est. Weight	Price
208559	PM45A, icon display, Ethernet, fixed hanger, DT, 203 dpi, US power cord	-	\$2,695.00
208560	PM45A, icon display, Ethernet, fixed hanger, TT, 203 dpi, US power cord	-	\$2,370.00
208561	PM45A, full touch display, Ethernet, fixed hanger, TT, 203 dpi, US power cord	-	\$2,772.00
208562	PM45A, full touch display, Ethernet, fixed hanger, rewinder + label taken sense, TT, 203 dpi, US power cord	-	\$3,156.00
208563	PM45A, full touch display, Ethernet, Bluetooth®, Wi-Fi NA, fixed hanger, TT, 203 dpi, US power cord	-	\$3,150.00
208564	PM45A, icon display, Ethernet, fixed hanger, TT, 300 dpi, US power cord	-	\$3,234.00
208565	PM45A, full touch display, Ethernet, fixed hanger, TT, 300 dpi, US power cord	-	\$3,368.00
208566	PM45A, full touch display, Ethernet, fixed hanger, rewinder + label taken sense, TT, 300 dpi, US power cord	-	\$3,645.00
208567	PM45A, full touch display, Ethernet, Bluetooth®, Wi-Fi NA, fixed hanger, TT, 300 dpi, US power cord	-	\$4,042.00

## Options/Accessories

Part #	Description	Price
207889	Honeywell® WLAN 802.11 option card	\$530.00
68517	External rewinder/unrewinder DMX	\$495.00
214842	Standard cutter kit for 10 mil stock	\$1,104.00
<b>Label Stock/Ribbon (W × L)</b>		
21776	Direct thermal, 3 × 3 in, 8 in diameter with perf., 2,000/roll	\$70.00/roll
150921	Direct thermal, 4 × 6 in, 8 in diameter with perf., 1,000/roll	\$36.50/roll
25975	Direct thermal, 4.25 × 2.5 in, 6 in diameter with perf., 1,095/roll	\$30.75/roll
21785	Thermal transfer, 2 × 1 in, 8 in diameter, 5,500/roll	\$15.55/roll
21788	Thermal transfer, 4 × 6 in, 8 in diameter, 1,000/roll	\$21.50/roll
20573	Thermal transfer, 4 × 6.5 in, 8 in diameter, 900/roll	\$23.00/roll
126629	Thermal kit, (4) 4 × 4 in labels, (2) 4 in ribbons and 1 cleaning card	\$170.00
34056	Ribbon (black), 4 in, 1,181 ft, wax	\$30.50/roll
<b>Printhead</b>		
211645	Printhead, 203 dpi, PM45	\$825.00
211646	Printhead, 300 dpi, PM45	\$826.00
<b>Cables</b>		
15547	Blunt end, 25-pin D-sub male RS-232 serial interface cable (Rice Lake indicators)	\$70.00
41276	DB9M cable to blunt end, 9-Pin (Rice Lake indicators)	\$77.00
79074	USB-A (male) to USB-B (male) cable, 6ft	\$35.00
64794	DB9F to DB9M RS-232 cable	\$69.00

## Standard Features

### (REPLACING I-CLASS PRINTERS)

- Two types of user interfaces, touchscreen display or icon LEDs (no display)
- PrintSet MC support for systems settings and configuration (required for Icon LED model)
- Opintel support for print optimization and firmware upgrades
- Smart Media calibration detects printing method, media type and length
- Enhance security with secured flashing
- Internal rewinder
- Label tear sensor
- Larger ribbon collapsible core for easy ribbon removal
- Ethernet/USB/serial
- USB host port for connecting storage devices, scanners, or keyboards
- USB device port to connect to a PC
- Wide range of printer accessories
- US power cord

## Specifications

### Print Speed:

203 dpi: 2 to 14 ips  
300 dpi: 2 to 12 ips

### Supply Roll Capacity:

Maximum 8.375 in diameter on 3 in core

### Media Width:

0.79 to 4.5 in

### Media Type:

Tag, label, ribbon

### Print Length:

0.25 to 99 in (6 to 247 mm)

### Media Thickness:

0.003 to 0.01 in

### Ribbons (Optional):

2 in core, up to 4.33 in wide

### Printer Command Language:

WMS, FP, DPL, IPL, ZPL II, XML, DP

### Bar Codes:

SCC-14, HIBC 39, EAN-13, HIBC 128, ITF-14, EAN-128, GS1 Databar Expanded, ISBT 128, Code 39, EAN-8, Code 128, GS1-128, UPC-E, UPC-A, Interleaved 2 of 5, RSS14E, ISBT Data Matrix, Data Matrix

### Graphics Support:

PNG, GIF, PCX, BMP

### Memory:

256 MB Flash/1GB Ram

### Interfaces:

USB 2.0 Host (x2), USB 2.0 Device, Ethernet 10/100 Mbps, RS-232 (up to 115.2 KB/s)

### Power Source:

100 to 240 VAC, 50/60 Hz

### Operating Temperature:

41 °F to 104 °F (5 °C to 40 °C)

### Dimensions:

(L × W × H)  
19.0 × 11.2 × 11.6 in

### Weight:

50.71 lb (23 kg)

### Warranty:

One-year limited  
Printhead (original):  
One-year or 1 million linear inches  
Printhead (replacement): 90 days

### Approvals:

CE  
UL

# Honeywell® PX940

Direct Thermal/Thermal Transfer Label Printer



## Part Number/Price

Part #	Description	Est. Weight	Price
207885	Label printer, PX940 direct thermal/thermal transfer 203 dpi, 100-240 VAC	51 lb	\$3,999.00
207886	Label printer, PX940 direct thermal/thermal transfer 300 dpi, 100-240 VAC	51 lb	\$4,297.00

## Options/Accessories

Part #	Description	Price
207889	Honeywell® WLAN 802.11 option card	\$530.00
68517	External rewinder/unrewinder DMX	\$495.00
<b>Label Stock</b>		
21776	Direct thermal, 3 × 3 in, 8 in diameter with perf., 2,000/roll	\$70.00/roll
150921	Direct thermal, 4 × 6 in, 6 in diameter with perf., 460/roll	\$36.50/roll
25975	Direct thermal, 4.25 × 2.5 in, 6 in diameter with perf., 1,095/roll	\$30.75/roll
21785	Thermal transfer, 2 × 1 in, 8 in diameter, 5,500/roll	\$15.55/roll
21788	Thermal transfer, 4 × 6 in, 8 in diameter, 1,000/roll	\$21.50/roll
20573	Thermal transfer, 4 × 6.5 in, 8 in diameter, 900/roll	\$23.00/roll
126629	Thermal kit, (4) 4 in labels, (2) 4 in ribbons and 1 cleaning card	\$170.00
34056	Ribbon (black), 4 in, 1,181 ft wax	\$30.50/roll
<b>Printhead</b>		
207887	Printhead 203 dpi PX940	\$840.00
207888	Printhead 300 dpi PX940	\$961.00
<b>Cables</b>		
15547	Blunt end, 25-Pin D-sub male RS-232 serial interface cable (Rice Lake indicators)	\$70.00
41276	DB9M cable to blunt end, 9-Pin (Rice Lake indicators)	\$77.00
79074	USB-A (male) to USB-B (male) cable, 6 ft	\$35.00
64794	RS-232 DB9FM/M null modem	\$69.00

## Standard Features

### (REPLACING H-CLASS PRINTERS)

- Full touch display
- Internal rewinder
- US power cord
- Ethernet/USB/serial
- Label tear sensor

## Specifications

### Print Speed:

203 dpi: 2-14 ips  
300 dpi: 2-12 ips

### Supply Roll Capacity:

Maximum 8.375 in diameter on 3 in core

### Media Width:

0.79 to 4.5 in

### Media Type:

Tag, label, ribbon

### Print Length:

0.25 to 99 in (6 to 247 mm)

### Media Thickness:

0.003 to 0.01 in

### Ribbons (Optional):

2 in core, up to 4.33 in wide

### Printer Command Language:

WMS, FP, DPL, IPL, ZPL II, XML, DP

### Bar Codes:

SCC-14, HIBC 39, EAN-13, HIBC 128, ITF-14, EAN-128, GS1 Databar Expanded, ISBT 128, Code 39, EAN-8, Code 128, GS1-128, UPC-E, UPC-A, Interleaved 2 of 5, RSS14E, ISBT Data Matrix, Data Matrix

### Graphics Support:

PNG, GIF, PCX, BMP

### Memory:

256 MB flash / 1 GB ram

### Interfaces:

USB 2.0 Host (x2), USB 2.0 Device, Ethernet 10/100 Mbps, RS-232 (up to 115.2 KB/s)

### Power Source:

100 to 240 VAC, 50/60 Hz

### Operating Temperature:

41 °F to 104 °F (5 °C to 40 °C)

### Dimensions:

(L × W × H)  
15.70 × 10.25 × 19.92 in

### Weight:

50.71 lb (23 kg)

### Warranty:

One-year limited on parts.  
One-year or 1 million linear inches on original print head



# EPSON® TM-T88VI

Direct Thermal POS Receipt Printer



## Standard Features

- High-speed printing of both text and graphics (up to 300 mm/second)
- Direct thermal POS receipt printer
- True grayscale image printing
- Best-in-class reliability
- Convenient drop-in paper loading, auto cutter and status LEDs
- ENERGY STAR® qualified
- Accommodates 58 mm or 80 mm paper roll
- Paper saving print features
- Improved cover protects from dust and debris
- OS support for Microsoft® Windows® 7, Vista, XP, 2000; Mac OS X v10.4, v10.5, v10.6 (Power PC/Intel Processor) and Linux

## Specifications

### Interface:

Built-in USB and serial interface (DB-25F); built-in USB and Ethernet; or built-in USB and Wireless LAN

### Data Buffer:

Receive buffer: Selectable as 45 bytes or 4 KB using the DIP switch

### Paper Dimensions:

80 mm: 3.13 × 3.27 in diameter  
58 mm: 2.26 × 3.27 in diameter

### Paper Thickness:

55 to 80 µm

### Print Speed:

300 mm/s (11.81 inch/s)

### Color:

Gray

### Safety Standards:

EMI: FCC/ICES-003 Class A  
UL60950-1/CSA C22.2 No.60950-1

### Power:

24 VDC ± 7%

### Power Consumption:

Approx. 1.8 A (mean)

### Temperature:

Operating: 31 °F to 113 °F (5 °C to 45 °C)  
Storage: 14 °F to 122 °F (-10 °C to 50 °C)

### Reliability:

MTBF: 360,000 hours  
MCBF: 70 million lines

### Dimensions:

(L × W × H)  
7.68 × 5.71 × 5.83 in  
(195 × 145 × 148 mm)

### Weight:

3.5 lb (1.6 kg)

### Warranty:

One-year

## Part Number/Price

Part #	Description	Price
117233	TM-T88V, RS-232 and USB, PS-180 power supply	\$650.00
199848	TM-T88VI, Ethernet, 802.11 Wireless WPA, USB, PS-180 power supply	\$765.00

## Options/Accessories

Part #	Description	Price
23112	Power supply, PS-180	\$120.00
69917	One-ply thermal, (W) 3.125 in (75.44 mm, 2.97 in dia.) 7/16 core 230 ft	\$6.00
83007	Parallel option connect-it cartridge	\$66.00
15568	25-Pin D-sub male to 25-Pin D-sub male RS-232 serial interface cable	\$70.00
15547	Blunt end, 25-Pin D-sub male RS-232 serial interface (Rice Lake indicators)	\$70.00
Consult	Custom RS-232 serial cable	Consult
79074	USB-A (male) to USB-B (male) cable, 6 ft	\$35.00
167545	TM88IV and V printhead	\$135.00

PRINTERS





### Approvals



### Part Number/Price

Part #	Description	Est. Weight	Price
81076	TM-U220D, RS-232, 115/230 VAC, gray	10 lb	\$445.00
81077	TM-U220A, internal rewind and cutter, RS-232, 115/230 VAC, gray	10 lb	\$660.00
164387	TM-U220D, USB, 115/230 VAC, gray	10 lb	\$475.00
204682	TM-U220B, Ethernet TCP/IP, auto-cutter	10 lb	\$655.00

### Options/Accessories

Part #	Description	Price
83007	Parallel option connect-it cartridge	\$66.00
35666	Protective dust cover	\$63.00
31296	Ink cartridge (purple)	\$12.75
66499*	Ink cartridge (black and red)	\$12.75
69916	One-ply bond paper roll, (W × L) 3 in × 150 ft (76 mm × 46 m) 3 in OD	\$5.25/roll
69915	Two-ply bond paper roll, (W × L) 3 in × 90 ft (76 mm × 28 m), white/canary yellow 3 in OD	\$7.50/roll
35667	Additional operating manual	\$17.00
72309	Power supply, 12 VDC vehicle cigarette plug	\$290.00
23112	115 VAC power supply (included with printer)	\$120.00
<b>Cables</b>		
15568	25-pin D-sub male to 25-Pin D-sub male RS-232 serial interface cable	\$70.00
15547	Blunt end, 25-pin D-sub male RS-232 serial interface cable (Rice Lake indicators)	\$70.00

Interfaces to: Rice Lake indicators with a serial port screw terminal connection. Consult custom 20mA/RS-232 serial interface cable \$100.00 Custom cables are designed to interface with your specific equipment. Please specify equipment model number and connector type. Standard cable length is 5ft. \$2.00 charge for each additional foot.

\*Red/Black ribbon to turn on ASCII code-27,11,48 ON 27,11,49 OFF

### Standard Features

- Nine-pin dot matrix print head
- High-speed 4.7 to 6.0 lines per second printing
- Drop-in paper set and auto paper loading
- Automatically transmits changes in printer status
- RS-232 (DB-25F connector)
- Optional connect-it cartridges for parallel, USB, 10 Base-T
- Uses MI88D mechanism

### Specifications

#### Print Speed:

Approximately 4.7 lines per second

#### Column Capacity:

40/42 or 33/35 columns

#### Characters Per Line:

40 characters

#### Print Area:

3 in (76.2 mm) W

#### Character Formation:

7 × 9 and 9 × 9 dot matrix

#### Character Height:

0.12 standard font

#### Character Set:

95 alphanumeric characters  
37 international characters  
128 × 12 graphic characters

#### Line Spacing:

0.17 in (4.32 mm)

#### Print head Life:

Approximately 100 million strokes/pin

#### Form Thickness:

0.002 to 0.003 in (0.06 to 0.085 mm)

#### Ribbon:

Cassette-type purple ribbon. Ribbon life is approximately 1.5 million characters (continuous prints)  
Black ink also available

#### Serial Interfaces:

Baud rates: 4800, 9600  
RS-232 compatible (DB-25F) or USB model

#### Parity:

7 or 8 bits, none, even or odd

#### Operating Temperature:

32 °F to 122 °F (0 °C to 50 °C)

#### Stop Bits:

1 or more

#### Handshaking:

DTR/DSR or XON/XOFF control selectable

#### Overall Dimensions:

(L × W × H)  
Type A: 11.3 × 6.3 × 6.2 in  
(286 × 160 × 158 mm)  
Type D: 9.7 × 6.3 × 5.4 in  
(248 × 160 × 139 mm)

#### Weight:

10 lb

#### Warranty:

Two-year limited  
(includes print head)

#### Approvals:

CE  
UL  
CSA certified

# EPSON® TM-U295

Ticket Printer



Approvals



## Part Number/Price

Part #	Description	Est. Weight	Price
23113	TM-U295 ticket printer, RS-232, 115/230 VAC with power supply, cool white	9 lb	\$685.00
35891	TM-U295 ticket printer, 115/230 VAC with RS-232 and power supply, 25DB to blunt end cable, cool white	9 lb	\$735.00
33816	TM-U295 ticket printer, RS-232, 24 VDC, cool white	9 lb	\$650.00

## Options/Accessories

Part #	Description	Price
29582	Protective dust cover	\$58.00
29584	Ink cartridge (purple) ERC-27	\$12.75
29583	Ink cartridge (black) ERC-27B	\$12.75
23112	Power supply	\$120.00
34344	Additional operating manual	\$21.00
72309	Power supply, 12 VDC vehicle cigarette plug	\$290.00
<b>Cables</b>		
15568	25-pin D-sub male to 25-in D-sub male RS-232 serial interface cable	\$70.00
15547	Blunt end, 25-Pin D-sub male RS-232 serial interface cable (Rice Lake indicators)	\$70.00
41279	25-pin D-sub male to 9-pin D-sub male, RS-232 with handshaking	\$70.00
32810	25-pin D-sub male to 8-pin D-sub male, RS-232 with handshaking	\$69.00
Consult*	Custom 20 mA/RS-232 serial interface cable	\$100.00

\*Custom cables are designed to interface with your specific equipment. Please specify equipment model number and connector type.

Standard cable length is 5ft. \$2.00 charge for each additional foot.

## Standard Features

- High-speed 1.9 to 2.3 lines per second printing
- Single copy or up to four-part multicopy ticket printing
- RS-232 serial communication

Note: Does not support double-strike commands.

## Specifications

### Print Speed:

1.9 to 2.3 lines per second (5 × 7 character, 3 dot line spacing)

### Column Capacity:

35/42 columns

### Characters Per Line:

35 standard font

### Print Area:

2.59 in W (65.8 mm W)

### Character Formation:

5 × 7 and 7 × 7 dot matrix

### Character Height:

0.11 standard font

### Character Set:

Full 96-character ASCII; with software control, 32 international characters, 128 × 2 graphic characters

### Line Spacing:

0.16 in (4.06 mm) software programmable in 1/60 in units

### Print head Life:

Approximately 100 million strokes/pin

### Form Thickness:

Single-ply: 0.003 to 0.009 in (0.08 to 0.23 mm)  
Copy paper: 0.003 to 0.014 in (0.08 to 0.36 mm)

### Ribbon:

Cassette-type purple ribbon  
Ribbon life is approximately 1.5 million characters (continuous prints)  
Black ink also available

### Serial Interfaces:

RS-232 (DB-25F) compatible

### Baud Rates:

1200, 2400, 4800, 9600, selectable

### Parity:

7 or 8 bits, none, even or odd

### Stop Bits:

1 or more

### Handshaking:

DTR/DSR or XON/XOFF control selectable

### Overall Dimensions:

(L × W × H)  
7.49 × 7.08 × 3.99 in  
(190.5 × 180 × 101.5 mm)

### Weight:

9 lb

### Warranty:

One-year limited  
(includes print head)

### Approvals:

CE  
UL  
CSA certified



### Approvals



### Part Number/Price

Part #	Description	Est. Weight	Price
68502	TM-U590 ticket printer, RS-232 with power supply, 115/230 VAC, cool white	12lb	\$1,150.00
128726	TM-U590 ticket printer, RS-232 with European power supply, 115/230 VAC, cool white	12lb	\$1,190.00
164391	TM-U590, USB, with 115/230 VAC power supply, cool white	12lb	\$1,320.00

### Options/Accessories

Part #	Description	Price
68525	Ink cartridge (purple) ERC-31	\$14.50
104145	Ink cartridge (black) ERC-31B	\$14.50
23112	Power supply, U.S. version PS-180	\$120.00
128746	Power supply, European version of PS-180	\$145.00
111840	Protective dust cover	\$69.00
68562	Additional operating manual	\$12.75
68725	Technical manual	\$37.00
72309	Power supply, 12VDC vehicle cigarette plug	\$290.00
<b>Cables</b>		
15568	25-pin D-sub male to 25-pin D-sub male RS-232 serial interface cable	\$70.00
15547	Blunt end, 25-Pin D-sub male RS-232 serial interface cable (Rice Lake indicators)	\$70.00
41279	25-pin D-sub male to nine-pin D-sub male, RS-232 with handshaking Interfaces to Rice Lake indicators with a serial port screw terminal connection	\$70.00
32810	25-pin D-sub male to eight-pin D-sub male, RS-232 with handshaking Interfaces with DC-190, DC-100, DC-200, DC-300	\$69.00
Consult	Custom 20mA/RS-232 serial interface cable	\$100.00

Custom cables are designed to interface with your specific equipment. Please specify equipment model number and connector type.

Standard cable length is 5ft. \$2.00 charge for each additional foot.

### Standard Features

- High-speed 2.8 lines per second printing for 88 columns of print; 4.9 lines per second printing for 40 columns
- Single copy and up to five-part
- Wide slip capability of A4 size documents
- Remote-printing functionality sent via RS-232
- 5.2 in wide print area
- Supports double-strike commands

### Specifications

#### Print Method:

Nine-pin, serial impact dot matrix

#### Font:

7 × 9 and 9 × 9

#### Column Capacity:

88/66 columns

#### Character Size:

(W × H)  
0.05 × 0.12 in/0.06 × 0.12 in  
(1.3 × 3.1 mm/1.6 × 3.1 mm)

#### Character Set:

95 alphanumeric characters  
32 international characters  
128 × 2 graphic characters

#### Characters Per Inch:

16.7 CPI/12.5 CPI

#### Serial Interfaces:

Bidirectional parallel,  
RS-232 (DB-25F)/ RS-485

#### Data Buffer:

4K/69 bytes

#### Paper Dimensions:

(L × W)  
2.76 × 2.76 in/11.69 × 8.26 in  
(70 × 70 mm/297 × 210 mm)

#### Paper Thickness:

0.003 in to 0.014 in (0.09 mm to 0.36 mm)

#### Copy Capabilities:

One original up to four copies

#### Power:

24 VDC ± 10%

#### Power Consumption:

Approx. 43 W  
Drawer Kickout Device Function:  
Two drives

#### Ribbon:

ERC-31 (purple)

#### Overall Dimensions:

(L × W × H)  
10.47 × 9.92 × 7.28 in  
(266 × 252 × 185 mm)

#### Weight:

12 lb

#### Warranty:

One-year limited  
(includes print head)

#### Approvals:

CE  
FCC  
UL  
C-UL  
TUV

# GoDEX® DT2x

Direct Thermal Label Printer



## Standard Features

- Auto language emulations GEPL, GZPL
- Free GoLabel design software for EZPL
- 203 dpi (8 dot/mm)
- Drop-in media loading
- USB or RS-232 interface (DB-9F)
- Plain, gap label, black, mark or fanfold label
- Label length detection
- Direct thermal
- Model G500- direct thermal/thermal transfer
- 32-bit CPU
- Serrated tear bar

## Specifications

### Print Speed:

Up to 7 ips

### Print Length:

Minimum: 0.16 in  
Maximum: 68 in

### Print Width:

2.12 in

### Media:

Continuous form, gap labeling, black mark sensing and punched sensing  
Label roll OD max: 5.0 in

### Core:

1 in, 1.5 in  
Thickness: 0.06 mm to 0.20 mm

### Printer Language:

GZPL or GEPL, EZ PL auto switch

### Resident Fonts:

11 resident alphanumeric fonts (included OCR A and B) are expandable eight times horizontally and vertically. All bit mapped fonts in eight orientations.

### Bar Codes:

Code 39, Code 93, Code 128 (subset A, B, C,) UCC/EAN - 128 K-Mart, UCC/EAN - 128, UPC A/E (add on 2 and 5,) 2 of 5, EAN 8/13 (add on 2 and 5,) Codabar, Post Net, EAN 128, DUN 14, MaxiCode, HIBC, Plessey, Random Weight, Telepen, FIM, China Postal Code, RPS 128, PDF 417, Datamatrix code, QR Code

### Dimensions:

(L × W × H)  
8.58 × 3.94 × 6.77 in  
(218 × 100 × 172 mm)

### Interfaces:

Baud rate 4800 to 115,200; RS-232 (DB-9F)  
USB port U2.0 (B-type)  
Ethernet (RJ-45)

### Power:

Auto switching 100/240 VAC 50/60 Hz

### Memory:

8 MB flash

### Environment:

Operation: 41 °F to 104 °F  
(5 °C to 40 °C)  
Storage: -4 °F to 122 °F  
(-20 °C to 50 °C)

### Humidity:

Operation: 30 to 85% non-condensing, free air  
Storage: 10 to 90% non-condensing, free air

### Dimensions:

(L × W × H)  
8.58 × 3.94 × 6.77 in  
(218 × 100 × 172 mm)

### Weight:

2.65 lb

### Warranty:

Two-year limited

### Approvals:

CE (EMC)  
FCC  
CB  
CUL  
CCC

## Approvals



## Part Number/Price

Part #	Description	Est. Weight	Price
167515	DT2x 2 in direct thermal, time and date 10/240 VAC printer	2.65 lb	\$365.00
167626	Label peeler, black	—	\$41.00
167627	Cutter, black	—	\$210.00
107532	Printhead	—	\$120.00
<b>Cables</b>			
41276	6 ft serial cable DB9 M to blunt end (Rice Lake indicators)	—	\$77.00
79074	USB-A (male) to USB-B (male) cable, 6 ft	—	\$35.00
64661	6 ft serial cable DB9 M to 8-Pin DIN	—	\$69.00
64660	6 ft serial cable DB9 M to DB9 male	—	\$69.00
Consult	Custom RS-232 serial cable	—	\$100.00

## Options/Accessories

Part #	Description	Price
38941	Cleaning pen for open printhead printers 12/box	\$60.00
35664	Cleaning cards, (W × L) 4x 6 in for RL-42DT and RL-42TT	\$60.00
111085	Power supply, printers	\$170.00
15438	Power cord, detachable	\$25.00
<b>Label Stock/Ribbon</b>		
110347	Direct thermal, (W × L) 2.25 × 1.25 in, 5 in diameter with perf., 2,100/roll	\$15.50/roll
40332	Direct thermal, (W × L) 2.25 × 2 in, 5 in diameter with perf., 1,445/roll	\$17.00/roll
110348	Direct thermal, (W × L) 2.25 × 3 in, 5 in diameter with perf., 950/roll	\$16.50/roll
110349	Direct thermal, (W × L) 2.25 × 4 in, 5 in diameter with perf., 700/roll	\$15.00/roll
65617	Direct thermal, (W × L) 2.25 × 4.5 in, 5 in diameter with perf., 600/roll	\$17.50/roll
110346	Direct thermal, (W × L) 1.20 × 0.85 in, 5 in diameter with perf., 2710/roll	\$15.00/roll
47761	Direct thermal, (W × L) 2.5 × 121 ft, continuous 12 rolls/case	\$93.00/case

# GoDEX® DT4xW

Direct Thermal Label Printer



## Approvals



## Part Number/Price

Part #	Description	Est. Weight	Price
167516	DT4xW 4 in direct thermal, 110/240 VAC printer	3.3 lb	\$405.00
167628	Label peeler, black	—	\$57.50
167629	Cutter, black	—	\$210.00
150743	Printhead	—	\$205.00
107638	Guardian enclosure	—	\$1,210.00
<b>Cables</b>			
41276	6 ft serial cable DB9 M to blunt end (Rice Lake indicators)	—	\$77.00
79074	USB-A (male) to USB-B (male) cable, 6 ft	—	\$35.00
64661	6 ft serial cable DB9 M to 8-Pin DIN	—	\$69.00
64660	6 ft serial cable DB9 M to DB9 male	—	\$69.00
Consult	Custom RS-232 serial cable	—	\$100.00

## Options/Accessories

Part #	Description	Price
38941	Cleaning pen for open printhead printers 12/box	\$60.00
35664	Cleaning cards, (W × L) 4x 6 in for RL-42DT and RL-42TT	\$60.00
111085	Power supply, printers	\$170.00
15438	Power cord, detachable	\$25.00
193466	Real-time clock for DT4xW	\$21.00
<b>Label Stock/Ribbon</b>		
53251	Direct thermal, (W × L) 4 × 3 in, 5 in diameter with perf., 930/roll	\$32.00/roll
40331	Direct thermal, (W × L) 4 × 4 in, 5 in diameter with perf., 745/roll	\$34.00/roll
37345	Direct thermal, (W × L) 4 × 6 in, 5 in diameter with perf., 450/roll	\$24.00/roll

## Standard Features

- Auto language emulations GEPL, GZPL
- Free GoLabel design software for EZPL or Q-Label
- 203 dpi (8 dot/mm)
- Drop-in media loading
- USB, Ethernet and RS-232 interface
- Plain, gap label, black, mark or fanfold label
- Label length detection
- Direct thermal
- 32-bit CPU

## Specifications

### Print Speed:

Up to 7 ips

### Print Length:

Minimum: 0.16 in

Maximum: 68 in

### Print Width:

4.25 in

### Media:

Continuous form, gap labeling, black mark sensing and punched sensing  
Label roll OD max: 5.0 in

### Core:

1 in, 1.5 in

Thickness: 0.06 mm to 0.20 mm

### Printer Language:

GZPL or GEPL, EZ PL auto switch

### Resident Fonts:

11 resident alphanumeric fonts (included OCR A and B) are expandable eight times horizontally and vertically. All bit mapped fonts in eight orientations

### Bar Codes:

Code 39, Code 93, Code 128 (subset A, B, C), UCC/EAN - 128 K-Mart, UCC/EAN - 128, UPC A/E (add on 2 and 5) 2 of 5, EAN 8/13 (add on 2 and 5) Codabar, Post Net, EAN 128, DUN 14, MaxiCode, HIBC, Plessey, Random Weight, Telepen, FIM, China Postal Code, RPS 128, PDF 417, Datamatrix code, QR Code

### Interfaces:

Baud rate 4800 to 115,200;

USB port U2.0 (B-type)

Ethernet (RJ-45)

RS-232 (DB-9F)

### Power:

Auto switching 100/240 VAC 50/60 Hz

### Memory:

8 MB flash

### Temperature Range:

Operation: 41 °F to 104 °F

(5 °C to 40 °C)

Storage: -4 °F to 122 °F

(-20 °C to 50 °C)

### Humidity:

Operation: 30 to 85% non-condensing, free air

Storage: 10 to 90% non-condensing, free air

### Dimensions:

(L × W × H)

8.58 × 6.53 × 6.61 in

(218 × 166 × 168 mm)

### Weight:

3.3 lb

### Warranty:

Two-year limited

### Approvals:

CE (EMC)

FCC

CB

CUL

CCC



# GoDEX® G500

Direct Thermal/Thermal Transfer Label Printer



Approvals



## Standard Features

- Auto language emulations GEPL, GZPL
- Free GoLabel design software for EZPL or Q Label
- 203 dpi (8 dot/mm)
- Drop-in media loading
- USB or RS-232 (DB-9F) interface
- Plain, gap label, black, mark or fanfold label
- Label length detection
- 32-bit CPU

## Part Number/Price

Part #	Description	Est. Weight	Price
132425	G500 4 in direct/thermal transfer, 110/240 VAC printer	6 lb	\$615.00
150744	Label peeler, black	—	\$42.00
150745	Cutter	—	\$450.00
150746	Printhead	—	\$205.00
107639	Guardian enclosure	—	\$1,210.00
<b>Cables</b>			
41276	6 ft serial cable DB9 M to blunt end (Rice Lake indicators)	—	\$77.00
79074	USB-A (male) to USB-B (male) cable, 6 ft	—	\$35.00
64661	6 ft serial cable DB9 M to 8-Pin DIN	—	\$69.00
64660	6 ft serial cable DB9 M to DB9 male	—	\$69.00
Consult	Custom RS-232 serial cable	—	\$100.00

## Options/Accessories

Part #	Description	Price
38941	Cleaning pen for open printhead printers 12/box	\$60.00
35664	Cleaning cards, (W × L) 4x 6 in for RL-42DT and RL-42TT	\$60.00
111085	Power supply, printers	\$170.00
15438	Power cord, detachable	\$25.00
<b>Label Stock/Ribbon</b>		
53261	Thermal transfer, (W × L) 4 × 3 in, 5 in diameter with perf., 930/roll	\$29.00/roll
178965	Ribbon (black), 4.3 in wax/resin, 984 ft length	\$30.00/roll
110537	Ribbon (black), 2.5 in wax/resin, 984 ft length	\$10.00/roll

## Specifications

### Print Speed:

5 ips

### Print Length:

Minimum: 0.16 in  
Maximum: 68 in

### Print Width:

4.25 in

### Media:

Continuous form, gap labeling, black mark sensing and punched sensing  
Label roll OD max: 5.0 in

### Core:

1 in, 1.5 in  
Thickness: 0.06 mm to 0.20 mm

### Ribbon:

Core: 1 in  
Length: 300 m  
Max ribbon roll OD: 2.67 in  
Wide: 1.18 to 4.33 in

### Printer Language:

GZPL or GEPL, EZ PL auto switch

### Resident Fonts:

11 resident alphanumeric fonts (included OCR A and B) are expandable eight times horizontally and vertically. All bit mapped fonts in eight orientations.

### Bar Codes:

Code 39, Code 93, Code 128 (subset A, B, C), UCC/EAN - 128 K-Mart, UCC/EAN - 128, UPC A/E (add on 2 and 5), 2 of 5, EAN 8/13 (add on 2 and 5), Codabar, Post Net, EAN 128, DUN 14, MaxiCode, HIBC, Plessey, Random Weight, Telepen, FIM, China Postal Code, RPS 128, PDF 417, Datamatrix code, QR Code

### Memory:

8 MB flash

### Interfaces:

Baud rate 4800 to 115,200; RS-232 (DB-9F)  
USB port U2.0 (B-type)  
Ethernet (RJ-45)

### Power:

Auto switching 100/240 VAC 50/60 Hz

### Environment:

Operation: 41 °F to 104 °F  
(5 °C to 40 °C)  
Storage: -4 °F to 122 °F  
(-20 °C to 50 °C)

### Humidity:

Operation: 30 to 85% non-condensing, free air  
Storage: 10 to 90% non-condensing, free air

### Dimensions:

(L × W × H)  
11.2 × 8.9 × 6.8 in  
(285 × 226 × 171 mm)

### Weight:

6 lb

### Warranty:

Two-year limited

### Approvals:

CE (EMC)  
FCC  
CB  
CUL  
CCC





## Standard Features

- Spill-proof cover
- Single-color highlights
- Power switch cover
- Internal universal power supply
- Serial interface
- Star and ESC/POS emulation
- Black mark sensor
- More than four lines per second print speed
- Auto cutter and tear bar versions
- Prints multiple copies (original and two copies)
- High reliability
- Prints graphics

## Specifications

**Print Method:**

Nine-pin impact dot matrix

**Print Speed:**

13 RPM

**Paper Width:**

70 and 58 mm (with paper guide)

**Emulation:**

Star mode, ESC/POS

**Power:**

110 to 230 VAC

**MCBF:**

22 million lines

**Cutter:**

1 million cuts

**Connectivity:**

Nine-pin serial (DB-25F), parallel, USB, Ethernet, Wi-Fi

**Drivers:**

2000 XP (L), XP embedded (L), VISTA (G) (32-and 64-bit)

**Dimensions:**

(L x W x H)  
245 x 152 x 160 mm

**Weight:**

9 lb

**Warranty:**

Three-year limited

**Approvals:**

UL  
cULus

Approvals



## Part Number/Price

Part #	Description	Est. Weight	Price
103142	SP742 RS-232 tape printer, cutter	9 lb	\$520.00

Consult factory for models with a parallel interface.

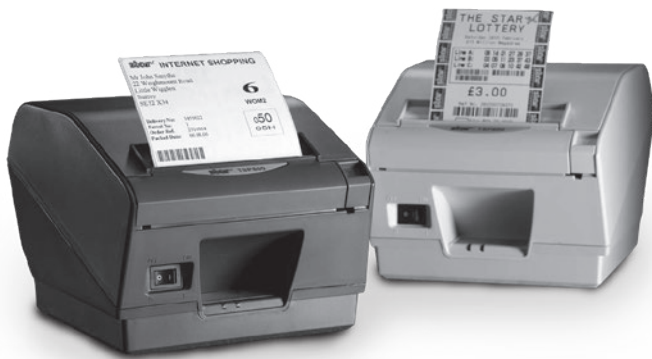
## Options/Accessories

Part #	Description	Price
69921	Ink ribbon (purple) SP500, SP2000, SP200, series	\$12.75
103728	Ink ribbon (black), SP700 Series	\$12.75
69916	One-ply paper roll, (W x D) 3 x 3 in, 150 ft roll, Bond, 3 in OD	\$5.25
69915	Two-ply paper roll, (W x D) 3 x 3 in white/canary yellow, 90 ft roll, 3 in OD	\$7.50
121331	Wall mount bracket, SP700 Series	\$31.50
<b>Cables</b>		
15547	Blunt end, 25-pin D-sub male RS-232 serial interface cable (Rice Lake indicators)	\$70.00
15568	25-pin D-sub male to 25-pin D-sub male RS-232 serial interface cable	\$70.00
72440	25-pin to nine-pin D-sub female cable	\$67.00
79074	USB-A (male) to USB-B (male) cable, 6 ft	\$35.00



# Star® TSP 847

Receipt Thermal Printer



## Part Number/Price

Part #	Description	Est. Weight	Price
107617	TSP847D-24 line receipt printer (requires power supply)	5 lb	\$725.00

## Options/Accessories

Part #	Description	Price
69903	Power supply, PS-60-24A	\$105.00
72309	Power supply, 12 VDC with car adapter	\$290.00
107618	Thermal paper 4.4 in wide, 4 in OD	\$20.00
<b>Cables</b>		
15547	Blunt-end 25-pin D-sub male RS-232	\$70.00
15568	25-pin D-sub male to 25 pin D-sub male RS-232 serial interface cable (Rice Lake indicators)	\$70.00
72440	25-pin male to nine-pin female	\$67.00

## Standard Features

- Direct thermal
- Small desktop footprint
- Jam-proof patented cutter with full or partial cut
- Wide area printing
- Zoom raster drive allows letter-sized documents to be printed in 4.4 format
- Logo storage capability

## Specifications

### Print Speed:

1,200 dots per second (150 mm/sec)

### Paper Width:

Max 104 mm

### Resolution:

203 dpi

### Bar Codes:

Code 39, Interleaved 2 of 5, JAN/EAN/UPC, Code 128, Code 93, Coderbar, GS1-128

### Emulation:

Star, DP8340

### Roll Paper:

Paper width: 111.5 mm (4.4 in)

Thickness: 65 to 150

Diameter: 4 in

### Drivers:

Windows® 9X, 2000, XP, Linux, OPOS, JPOS, Mac OS X™

### Interface:

RS-232 serial (DB-25F)

### Operating Temperature:

41 °F to 113 °F (5 °C to 45 °C)

### Dimensions:

(W × D × H)

7 × 8.4 × 5.8 in

(180 × 213 × 148 mm)

### Weight:

5 lb

### Warranty:

Three-year limited

### Approvals:

RoHS compliant



## Approvals



## Standard Features

- 203 dpi (8 dots/mm) print resolution
- Two-color printing (software enabled)
- Small footprint
- Easy load "drop-in and print" paper loading
- Adjustable paper width
- Logo storage utility for easy logo data
- Drawer kickout device function
- Cutter
- Easy to change "cartridge-type interface" from RS-232 (DB-25F) to parallel

## Part Number/Price

Part #	Description	Est. Weight	Price
69907	*TSP743II direct thermal transfer, RS-232 with power supply, 115/230 VAC	8 lb	\$630.00
69908	*TSP743II direct thermal transfer, RS-232 only, 24 VDC	8 lb	\$630.00
85929	*TSP743II direct thermal, parallel without power supply	8 lb	\$630.00

\* If using for labels with black mark, request printer to be configured by Rice Lake Weighing Systems

## Options/Accessories

Part #	Description	Price
<b>TSP654</b>		
69903	Power supply, PS-60-24A	\$105.00
69917	One-ply thermal, (W) 3.125 in (75.44 mm, 2.97 in dia.) 7/16 core 230 ft	\$6.00
107041	MaxStick receipt paper for TSP654 3 1/8 wide 150 ft long adhesive strip	\$22.50
72309	Power supply, 12 VDC with vehicle cigarette lighter	\$290.00
71355	Parallel cartridge option	\$63.00
<b>TSP743</b>		
69919	Wall mount bracket	\$84.00
70598	Label, DTL, (W x L x D) 3 x 1 x 4 in, with black line timing mark 1,600 labels/roll	\$26.50
70597	Label, DTL, (W x L x D) 3 x 2 x 4 in, with black line timing mark 900 labels/roll	\$26.50
<b>Cables</b>		
15547	Blunt end, 25-pin D-sub male RS-232 serial interface cable (Rice Lake indicators)	\$70.00
15568	25-pin D-sub male to 25-pin D-sub male RS-232 serial interface cable	\$70.00
72440	25-pin to nine-pin D-sub female cable	\$67.00

## Specifications

### Print Speed:

7 in (177.8 mm) per second,  
60 lines per second at 3 mm per line  
(180 mm/sec)

### Print Width:

2.83 in (80 mm)  
Optional: 2.05 in (52 mm),  
3.15 in (80 mm)

### Line Spacing:

3 mm, 4 mm (1/8 in, 1/6 in)

### Resolution:

203 dpi (8 dots/mm)

### Number Of Columns:

48, 71 (maximum)

### Bar Codes:

UPC-A/E, JAN/EAN-8/13, Code 39/93/128,  
Codabar (NW7)

### Paper Width:

Adjustable 3.15 in (80 mm)  
Optional: 3.25 in (82.5 mm)

### Logo Store:

4 M bit

### Paper Thickness:

0.003 to 0.0 06 in (0.065 to 0.150 mm)

### Roll Diameter:

3.5 in (90 mm)

### Paper Roll Core:

0.50 to 1.00 in (12 to 25.4 mm)

### Paper Path:

Slot in rear or internal roll

### Paper Loading:

"Drop-in and print" and external rear feed

### Paper Sensors:

Near end, paper out, top of form

### Printer Reliability:

60 million lines MCBF (CRT)

### Cutter Reliability:

2 million cuts

### Data Buffer:

8K bytes

### Interface:

RS-232 serial DB-25F

### Emulation:

Star line mode, ESC/POS™ (TM-U295/TM290)

### Drawer Kickout Device Function:

2 drivers

### Auto Cutter:

Full and partial cut

### Drivers:

Windows® 95/98/2000/NT 4.0, Windows® legacy  
printer, OPOS, JavaPOS™,  
Star Raster Graphics Mode, Linux

### Operating Temperature:

41 °F to 113 °F (5 °C to 45 °C)

### Humidity:

10% to 90% RH (without condensation)

### Overall Dimensions:

(W x H x D)  
5.79 x 5.83 x 8.39 in  
(147 x 148 x 213 mm)

### Warranty:

Parts: three-year limited  
Print head: one-year limited

### Approvals:

cULus  
FCC  
TUV

# Zebra® ZD411

Label Printer



ZD411

## Part Number/Price

Part #	Description	Est. Weight	Price
216767	ZD411 Printer, 203 dpi, direct thermal, USB/Ethernet/Bluetooth, 120 VAC U.S. power cord	2.2 lb	\$455.00
219364	Printer, Label ZD411 203dpi, Thermal Transfer, USB, Ethernet, BT, US 120 VAC	2.2 lb	\$585.33

Parallel and Ethernet models available by special request

## Options/Accessories

Part #	Description	Price
212815	RS-232 option card, compatible with ZD411 and ZD421 (field installable)	\$26.00
38941	Cleaning pens for open printhead printers, 12/box	\$60.00
Label Stock/Ribbon		
110346	Direct thermal, (W × L × D) 1.2 × .85 × 5 in with perf., 2,700/LPR	\$15.00/roll
110347	Direct thermal, (W × L × D) 2.25 × 1.25 × 5 in with perf., 2,100/LPR	\$15.50/roll
40332	Direct thermal, (W × L × D) 2.25 × 2 × 5 in with perf., 1,445/LPR	\$17.00/roll
110348	Direct thermal, (W × L × D) 2.25 × 3 × 5 in with perf., 950/LPR	\$16.50/roll
110349	Direct thermal, (W × L × D) 2.25 × 4 × 5 in with perf., 700/LPR	\$15.00/roll
65617	Direct thermal, (W × L × D) 2.25 × 4.5 × 5 in with perf., 600/LPR	\$17.50/roll
126092	Thermal paper, (W × D) 2 × 5 in, 6 rolls/case	\$87.00/case
207358	Ribbon, wax/general purpose, 2.5 in × 243 ft, 0.5 in core	\$8.00
Cables		
41276	Serial cable, 6 ft (DB9 male to blunt end) (Rice Lake indicators)	\$77.00
79074	USB-A (male) to USB-B (male) cable, 6 ft	\$35.00
64794	DB9 RS-232 cable DB9F to DB9M	\$69.00

## Standard Features

- Print speeds of 4 in (102 mm) per second
- 203 dpi print resolution (8 dots/mm)
- Open ACCESS™ design for easy media loading
- Direct thermal (ZD411) and thermal transfer (TLP) printing of barcodes, text and graphics
- Fully enclosed 5.0 in (127 mm) media compartment
- Double-walled ABS case construction
- EPL and ZPL® programming language, co-resident
- 32-bit RISC processor
- 8 MB SDRAM, 4 MB flash memory
- Zebra E3 print head energy control
- Auto-calibration of media
- Five resident expandable EPL2® fonts
- Auto-switching 100 V and 240 V power supply
- Linear and 2-D bar code symbologies
- Transmissive and reflective media sensing
- Head-up sensor
- Tear-off mode
- Certified Microsoft® Windows® drivers

## Specifications

### Resolution:

203 dpi (8 dpmm)

### Print Length:

0.005 to 39.0 in (0.125 to 991 mm)

### Print Width:

0.005 to 2.2 in (0.125 to 56 mm)

### Print Speed:

2 to 4 in per second (ips)

### Media:

Width: 1.00 to 2.36 in (25 to 60 mm)

### Interface:

TLP 2824 Plus: USB and Serial (Ethernet Optional)  
ZD 411: USB, Ethernet, and Bluetooth (Serial Optional)

### Label Length:

Minimum: 0.38 in (9.7 mm)  
1.0 in with optional cutter  
Maximum 39 in (991 mm)  
Inner Core: 1.0 in  
Max roll diameter: 5 in  
Sensing: gap, black line, notch  
Type: roll-fed, fan fold, die cut or continuous with or without black mark, tag stock

### Bar Codes:

Code 11, Code 39, Code 93, Code 128, UPC-A, UPC-E, EAN-8, EAN-13, EAN-14, UPC-A and UPC-E with EAN 2 or 5 digit extensions, Plessey, POSTNET, Standard 2 of 5, Industrial 2 of 5, Interleaved 2 of 5, LOGMARS, MSI, Codabar, and GS1 DataBar (formerly RSS), PDF417, MicroPDF417, Code 49, Maxicode, Codablock, Data Matrix, QR code, Aztec

### Power:

100 to 240 VAC, 50/60 Hz, US power cord

### Operating Temperature:

-40 °F to 105 °F (-40 °C to 40.5 °C)

### Dimensions:

ZD411: 8.5 × 4.5 × 6.0 in  
(220 × 115 × 151 mm)  
TLP 2824 Plus: 5.3 × 9.5 × 7.0 in  
(135 × 241 × 178 mm)

### Weight:

ZD411: 2.2 lb (1.0 kg)  
TLP 2824 Plus: 3.5 lb (1.6 kg)

### Warranty:

One-year limited



## Standard Features

- Print width 4.09 in
- Print speeds of 6 in per second
- 203 dpi
- USB 2.0 host
- Auto sense EPLZ or ZPL
- Tear bar

## Options

- RS-232 (DB-9F)
- Peeler mechanism
- Models available with Ethernet

## Specifications

### Paper Width:

0.75 to 4.25 in (19 × 108 mm)

### Paper Thickness:

0.003 to 0.0075 in (0.08 × 0.19 mm)

### Paper Diameter (OD):

5 in (127 mm)

### Paper Roll Shaft:

0.5 and 1.0 in (13 × 25 mm) standard

### Resolution:

203 dpi/8 dots per mm

### Memory:

512 MB flash, 128 MB SDRAM

### Print Width:

4.09 in (104 mm)

### Maximum Print Length:

3.90 in (99 mm)

### Maximum Print Speed:

6.0 in (152 mm) per second

### Media Sensors:

Full width, movable reflective, multi-position transmissive/gap sensor

### Ribbon Outside Diameter:

2.6 in

### Ribbon Standard Length:

984 ft (300 m)

### Ribbon Ratio:

1:4 media to ribbon

### Ribbon Width:

0.585 to 4.65 in

### Ribbon Core Inner Diameter:

1 in

### Interface:

USB 2.0 host  
Ethernet TCP/IP  
Optional: RS-232 serial (DB-9F)

### Temperature:

Operating: 40 °F to 105 °F

(4 °C to 41 °C)

Storage: -40 °F to 140 °F

(-40 °C to 60 °C)

Operating humidity: 5% to 95% non-condensing

Storage humidity: 5% to 95% non-condensing

### Electrical:

Auto-detectable (PFC compliant)

### Dimensions:

(L x W x H)

ZD421: 8.69 × 6.98 × 5.93 in

ZD421T: 10.5 × 8.0 × 7.5 in

### Warranty:

One-year limited

## Part Number/Price

Part #	Description	Est. Weight	Price
<b>Direct Thermal</b>			
212409	ZD421d direct thermal printer, USB host	10 lb	\$699.00
212410	ZD421d direct thermal printer, USB host, Ethernet LAN	10 lb	\$880.00
<b>Thermal Transfer</b>			
212406	ZD421t thermal transfer printer, USB host	10 lb	\$745.00
212411	ZD421t thermal transfer printer, USB host, Ethernet LAN	10 lb	\$999.00

## Options/Accessories

Part #	Description	Price
213390	Peeler option, ZD421t, front mount, field installable	\$40.00
213356	Peeler option, ZD421d, front mount, field installable	\$40.00
212815	RS-232 option, ZD421 field installable	\$26.00
41276	Interface cable	\$77.00
<b>Label Stock/Ribbon</b>		
192736	Ribbon core option, ZD421t, to accept 1 in ribbon cores (set of 2)	\$26.50
192724	2000 wax ribbon (ZD421t) 2.52 in × 984 ft, 1 in core	\$4.75
192725	2000 wax ribbon (ZD421t) 3.31 in × 984 ft, 1 in core	\$6.50
192726	2000 wax ribbon (ZD421t) 4.23 in × 984 ft, 1 in core	\$8.00
192727	5555 wax/resin ribbon (ZD421t) 2.52 in × 984 ft, 1 in core	\$12.75
192728	5555 wax/resin ribbon (ZD421t) 3.31 in × 984 ft, 1 in core	\$16.50
192729	5555 wax/resin ribbon (ZD421t) 4.33 in × 984 ft, 1 in core	\$21.75
192730	5095 resin ribbon (ZD421t) 2.52 in × 984 ft, 1 in core	\$26.50
192731	5095 resin ribbon (ZD421t) 3.31 in × 984 ft, 1 in core	\$34.50
192732	5095 resin ribbon (ZD421t) 4.33 in × 984 ft, 1 in core	\$45.00
207358	Ribbon, thermal transfer, 2.25 in, 243 ft, wax, 1/2 in core	\$8.00

# Zebra® ZQ630

Direct Thermal Mobile Printer



Approvals



## Standard Features

- Apple iOS, Android and Windows Mobile connectivity
- Direct thermal printing of bar codes, text and graphics
- CPCL, EPL™ and ZPL® programming languages
- 512 MB Flash memory supports downloadable programs, receipt formats, fonts and graphics (128 MB available for user storage)
- PowerPrecision+ 6800 mAh Li-Ion rechargeable battery
- Built-in battery charger
- RS-232 serial (DB-9F) and USB ports (supports strain relief)
- Belt clip for unobtrusive and convenient printing
- Black mark using fixed center-position sensors
- Easy-to-use peel and present mode
- Label present sensor for issuing labels one at a time
- Tear bar for easy dispensing
- Center-loading media locking for variable roll widths
- “Clamshell” design for easy media loading
- Management: Mirror, SNMP, Web server, Profile Manager, AirWatch and Wavelink Avalanche®
- Large, easy-to-read LCD control panel (288 x 240 pixels)
- Color display can be customized using WML (text and icons)
- Printer alerts on the display, help menus
- Tolerance of multiple drops from 6' / 1.8 m to concrete
- IP43 dust- and water-resistance rating (IP54 with soft case)
- 400 MHz 32-bit ARM processor
- XML support
- Supports vertical and horizontal printing
- Printers can be used in any orientation
- QR bar code links to web-based help pages
- Zebra Print Touch simplifies Bluetooth pairing and launches web-based help pages with NFC-enabled devices
- Label odometer
- NTP (Network Time Protocol) support via Wi-Fi or Ethernet

## Part Number/Price

Part #	Description	Est. Weight	Price
204373	ZQ630 kit, 4 in direct thermal printer, 203 dpi, USB/Wi-Fi/Bluetooth® (Kit includes AC adapter, and USB cable)	3 lb	\$1,283.00
204370	ZQ630 printer, 4 in direct thermal printer, 203 dpi, USB/Wi-Fi/Bluetooth® (AC adapter and USB cable sold separately)	3 lb	\$1,184.00

## Options/Accessories

Part #	Description	Price
181233	Power supply, 12-24 VDC	\$57.00
181236	Power supply, 15-60 VDC	\$98.50
181234	RAM Handi-Mount kit	\$330.00
188144	AC adapter	\$100.00
188145	Receipt paper	\$12.75
<b>Label Stock/Ribbon</b>		
181238	4 in x 4 in direct thermal labels, with Gap. 36 rolls per case	\$430.00
181239	4 in x 2 in direct thermal labels, with Gap. 36 rolls per case	\$430.00
<b>Cables</b>		
204372	USB cable, USB 2.0 A to MINIB	\$24.00

## Specifications

### Paper Width:

4.40 in

### Paper Thickness:

2.3 to 5.5 mil tag stock or 6.5 mil label stock

### Paper Diameter (OD):

2.6 in

### Paper Roll Shaft:

0.75 in

### Resolution:

203 dpi

### Memory:

256 MB RAM / 512 MB Flash

### Print Width:

4.10 in

### Bar Code Symbologies:

Codabar (NW-7), Code 39, Code 93, Code 128, EAN-8, EAN-13, UCC/EAN 128, UPC-A, UPC-E, PDF417, Micro PDF417, QR Code, TLC39

### Maximum Print Length:

32 in

### Maximum Print Speed:

4.5 ips

### Media Sensors:

Black mark

### Interface:

USB, WiFi, Bluetooth®

### Operating Characteristics:

Operating temperature: -4 °F to 122 °F (-20 °C to 50 °C)

### Physical Characteristics:

Width: 6.5 in  
Height: 7.35 in  
Depth: 3.25 in  
Weight: 2.45 lb

### Warranty:

One-year

### Approvals:

CE  
TUV  
CSA





Not recommended for applications with exposure to sunlight, fluorescent lamps or heat.

## Standard Features

- Requires a 633 nm visible light diode (VLD) scanning device for barcodes
- All-temperature permanent acrylic adhesive with short repositioning time, withstands some contact with alcohol, blood, grease and water

## Applications

- Recommended for paper, corrugated containers, folding cartons with exterior varnish, glass, metal, PVC, polyesters, acetate, cellophane XT polymer, polystyrene, and some treated polypropylenes and polyethylenes
- Not recommended for applications with exposure to sunlight, fluorescent lamps or heat.

## Part Number/Price

Part #	Width × Length	Roll Dia.	Case Qty	Labels Per Roll	Perf.	Price
<b>0.75 in Core Size</b>						
110463	2.00 × 3.00 in	2 in	36	125	Yes	\$104.00/case
<b>1 in Core Size</b>						
110346	1.20 × 0.85 in	5 in	6	2,710	Yes	\$15.00/roll
35342	2.0 × 1.0 in	4 in	12	1,375	Yes	\$12.00/roll
110350	2.00 × 1.00 in	5 in	16	2,600	Yes	\$18.00/roll
37354	2.25 × 1.25 in	2 in	12	260	Yes	\$8.00/roll
40332	2.25 × 2.00 in	5 in	12	1,445	Yes	\$17.00/roll
110348	2.25 × 3.00 in	5 in	16	950	Yes	\$16.50/roll
37352	2.25 × 4.00 in	4 in	12	380	Yes	\$10.25/roll
110349	2.25 × 4.00 in	5 in	12	700	Yes	\$15.00/roll
65617	2.25 × 4.50 in	5 in	16	600	Yes	\$17.50/roll
110347	2.25 × 1.25 in	5 in	16	2,100	Yes	\$15.50/roll
156746	3.00 × 2.00 in	4 in	8	800	Yes	\$20.00/roll
110352	3.00 × 3.00 in	5 in	8	950	Yes	\$22.50/roll
110351	3.50 × 1.00 in	5 in	8	2,600	Yes	\$26.50/roll
110353	4.00 × 1.00 in	5 in	8	2,500	Yes	\$26.00/roll
37350	4.00 × 1.50 in	4 in	12	960	Yes	\$33.00/roll
110354	4.00 × 1.50 in	5 in	8	1,800	Yes	\$25.00/roll
110345	4.00 × 2.00 in	5 in	8	1,400	Yes	\$25.00/roll
110355	4.00 × 2.50 in	5 in	8	1,100	Yes	\$26.00/roll
53251	4.00 × 3.00 in	5 in	12	930	Yes	\$32.00/roll
37348	4.00 × 3.00 in	2 in	12	110	Yes	\$7.25/roll
40331	4.00 × 4.00 in	5 in	8	745	Yes	\$34.00/roll
110356	4.00 × 5.00 in	5 in	8	500	Yes	\$25.00/roll
37345	4.00 × 6.00 in	5 in	8	450	Yes	\$24.00/roll
<b>3 in Core Size</b>						
21776	3.00 × 3.00 in	8 in	8	2,000	Yes	\$70.00/roll
156745	3.00 × 5.00 in	8 in	8	1,200	Yes	\$33.50/roll
91303	4.00 × 2.00 in	8 in	4	2,900	Yes	\$75.00/roll
43937	4.00 × 4.00 in	8 in	4	1,500	Yes	\$45.50/roll
25935	4.00 × 6.00 in	8 in	4	1,000	*	\$41.00/roll
150921	4.00 × 6.00 in	8 in	4	1,000	Yes	\$36.50/roll
20594	4.00 × 6.50 in	8 in	4	900	Yes	\$39.25/roll
25975	4.25 × 2.50 in	6 in	6	1,090	Yes	\$30.75/roll
20531	4.50 × 2.50 in	8 in	4	2,500	*	\$61.00/roll
20597	3.5 × 3.25 in	10 in	10	3,100	No	\$70.00/roll
<b>Star Labels (1 in Core Size)</b>						
70598	Black line, 3 × 1 in	4 in	10	1,600	No	\$26.50/roll
70597	Black line, 3 × 2 in	4 in	10	900	No	\$26.50/roll
<b>Medical</b>						
107134	1 × 11 in Datamax O-Neil SafeD-Band, wristband	5 in	4	350		\$477.50/case

\* Perforated liner available upon request at no charge. Minimum order quantities may apply. NOTE: 8 and 10 in diameter rolls are not Allegro compatible

Custom label quote form online at [www.ricelake.com/customlabel](http://www.ricelake.com/customlabel)

# DTL Plus/DTT

Direct Thermal Labels



DTL-Plus



DTT

Not recommended for applications with exposure to sunlight, fluorescent lamps or heat

## Standard Features

### DTL Plus/DTT

- Top-coated white matte finish
- Requires a visible light (633 nm) scanning device for barcodes
- Withstands some contact with alcohol, blood, grease and water

## Part Number/Price

Part #	Description	Price
109340	3 in wide continuous tag stock, 7.2 mil, 3 in core, 8 in O.D., 480 ft wound out	\$45.00
109298	4 in wide continuous tag stock, 7.2 mil, 3 in core, 8 in O.D., 480 ft wound out	\$51.00
119829	5 in wide perforated, two up, fan folded stacks of 1,000	\$0.06 each

PRINTERS

# DTL-SYN

Direct Thermal Label



DTL-SYN

Direct Thermal Synthetic Label

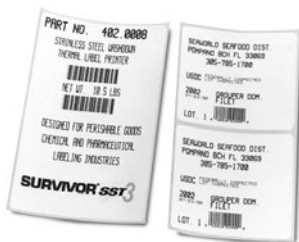
## Standard Features

### DTL-SYN

- Top-coated white matte finish
- Requires a visible light (633 nm) scanning device for barcodes
- All-temperature permanent acrylic adhesive with short repositioning time
- Withstands some contact with alcohol, blood, grease and water

## Part Number/Price

Part #	Description	Price
109448	3.25 × 3.25, 3 in core, 8 in O.D., 1,800 LPR, wound out, 208 roll minimum order	\$108.00/roll



### Standard Features

- All-temperature permanent acrylic adhesive
- Withstands some contact with alcohol, oil, grease, blood and water

### Part Number/Price

Part #	Width × Length	Roll Dia.	Case Qty	Labels Per Roll	Perf.	Price
<b>1 in Core Size</b>						
41978	4.00 × 3.00 in	4 in	8	500	Yes	\$13.80/roll
110357	1.50 × 1.00 in	5 in	8	2,260	Yes	\$14.00/roll
110362	2.00 × 1.00 in	5 in	8	2,260	Yes	\$20.00/roll
110358	2.25 × .750 in	5 in	6	3,320	Yes	\$18.00/roll
110360	2.25 × 3.00 in	5 in	6	930	Yes	\$19.00/roll
110359	2.25 × 1.25 in	5 in	12	2,100	Yes	\$15.00/roll
110365	4.00 × 2.00 in	5 in	6	1,370	Yes	\$26.00/roll
53261	4.00 × 3.00 in	5 in	12	930	Yes	\$29.00/roll
110366	4.00 × 4.00 in	5 in	12	700	Yes	\$21.50/roll
160934	4.00 × 4.00 in	5 in	12	700	No	\$22.50/roll
110367	4.00 × 6.00 in	5 in	12	475	Yes	\$30.50/roll
<b>3 in Core Size</b>						
21785	2.00 × 1.00 in	8 in	12	5,500	*	\$15.55/roll
25945	2.00 × 1.00 in	6 in	12	2,550	*	\$11.00/roll
66541	2.50 × 1.75 in	8 in	2	3,600		\$96.00/roll
44347	2.50 × 1.50 in	8 in	8	3,600	No	\$192.00/case
20671	3.00 × 3.00 in	8 in	8	2,000	*	\$37.00/roll
48408	3.50 × 1.00 in	8 in	4	5,500	Yes	\$130.50/case
156741	4.00 × 4.00 in	8 in	4	1,500	Yes	\$22.00/roll
21788	4.00 × 6.00 in	8 in	4	1,000	*	\$21.50/roll
20573	4.00 × 6.50 in	8 in	4	900	*	\$23.00/roll
156742	4.00 × 6.00 in	8 in	4	1,000	Yes	\$21.50/roll
20536	4.50 × 2.50 in	8 in	4	2,500	*	\$41.50/roll
<b>Kit, 4 label rolls, 2 ribbons, 1 cleaning card</b>						
126629	4.00 × 4.00 in	8 in	1	1,500		\$170.00/case

\* Perforated liner available upon request at no charge. Minimum order quantities may apply.

NOTE: 8in diameter rolls are not Allegro compatible. Custom label quote form available online at [www.ricelake.com/customlabel](http://www.ricelake.com/customlabel)

NOTE: Not recommended for long-term exposure to water or other liquids

PRINTERS

## Fantastock

Thermal Transfer Label

### Part Number/Price

Part #	Width × Length	Roll Qty.	Case	Labels Per Roll	Price
<b>1 in Core Size</b>					
35417	Fantastock 4 × 2.88 in	4	8	500	\$45.00/roll
126114	3 × 1 in TTL Fantastock	4	8	500	\$48.00/roll
129377	4 × 2.5 in	5	8	1,650	\$154.00/roll

NOTE: 8in diameter rolls are not Allegro compatible

### Standard Features

- Withstands some contact with alcohol, oil, grease, blood and water
- Suited for alphanumeric barcodes and graphics
- Top-coated white matte finish

# TTT Standard

Thermal Transfer Tag



## Standard Features

- Withstands some contact with alcohol, oil, grease, blood and water
- Suited for alphanumerics, barcodes and graphics
- Top-coated white matte finish

## Part Number/Price

Part #	Width × Length	Roll Qty.	Case	Labels Per Roll/ft.	Perf.	Price
<b>3 in Core Size</b>						
89190	4 in wide continuous 7.5 pt	8 in	4	4,000 ft	No	\$46.25/roll
107621	3.25 wide × continuous 7.5 pt, 11 in O.D., 50 roll minimum order	—	—	1,010 ft	No	\$75.00/roll
124757	4.5 × 2.5 in, with sensing notch 20 roll minimum order	—	4	2,300	Yes	\$135.00/roll
164870	4 × 6 in, stack of 1,000	—	—	1,000	—	\$70.00/stack

*NOTE: Not recommended for long-term exposure to water or other liquids*

PRINTERS

# SDR Super Durable Ribbon



## Standard Features

- 4.6 micron, thermal transfer resin-based ribbon
- Smudge and smear proof
- 1,182 ft (360.3 m) long (one ribbon prints two rolls of 8 in [203.2 mm] OD label or tag stock)
- Avoid exposure to heat, humidity and sunlight during storage

## Part Number/Price

Part #	Width × Length	Color	Case Qty	Datamax Comp	Zebra/Elton Desktop Comp	Zebra Ind. Comp.	Price
<b>1/2 in Core Size</b> Not for all 2 in wide printers							
37366	2.50 in × 242 ft	No	12	No	800009-002	No	\$6.85/roll
126115	3.27 in × 243 ft	No	36	221967	No	No	\$9.55/roll
37368	4.30 in × 242 ft	No	12	No	800009-004	No	\$11.25/roll
92633	4.33 in × 360 ft	No	24	226757	No	No	\$18.00/roll
<b>1 in Core Size</b>							
21772	4.00 in × 1182 ft	Yes	24	221716	No	No	\$1,218.00/case
52343	4.30 in × 1476 ft	No	6	No	5095BK11045	Yes	\$89.00/roll
129378	4.30 in × 984 ft	—	24	296639	—	—	\$48.00/roll

*Scannable colors include: Blue, Red, White, Gold*



## Standard Features

- 4.6 micron thermal transfer wax/resin ribbon
- Smudge and scratch resistant
- 1,182 ft (360.3 m) long (one ribbon prints two rolls of 8 in (203.2 mm) OD label or tag stock)
- Avoid exposure to heat, humidity and sunlight during storage

## Part Number/Price

Part #	Width × Length	Color	GoDex Comp.	Datamax Comp.	Zebra/Eltron Comp.	Zebra Industrial Comp.	Case Qty	Price
<b>1/2 in Core Size</b> Not for all 2 inch wide printers								
81212*	2.50 in × 244 ft	No		Z28GPRM064074	8000130-002	No	12	\$8.00/roll
37362	2.50 in × 298 ft	No		226351	800008-002	No	36	\$7.00/roll
35477	3.50 in × 360 ft	No		226455	No	Yes	12	\$10.00/roll
37364	4.30 in × 298 ft	No		226357	800008-004	No	36	\$12.50/roll
75895*	4.30 in × 244 ft	No		Z28GPRM110074	800130-104	No	12	\$18.00/roll
35478	4.33 in × 360 ft	No		226457	No	Yes	12	\$12.75/roll
53265	1.30 in × 298 ft	No		No	800008-001	No	36	\$3.15/roll
<b>1 in Core Size</b>								
178965	4.30 in × 984 ft	No	GR4010				6	\$30.00/roll
110537	2.50 in × 984 ft	No			ZEBGPRM064300		24	\$10.00/roll
34054	3.00 in × 1181 ft	Yes		226102	No	No	6	\$20.75/roll
40787	4.30 in × 1189 ft	No		No	800010-004	Yes	6	\$33.50/roll
110536	4.30 in × 984 ft	No		296143	NO	No	24	\$16.25/roll
34058	4.50 in × 1182 ft	Yes		226100	No	No	6	\$33.00/roll
42474	6.00 in × 1476 ft	Yes		224108	No	No	24	\$51.50/roll
<b>GPR Plus (for use with Kimdura Stock)</b>								
53611**	1.57 in × 1476 ft	No		No	No	5095BK04045	6	\$33.75/roll
20538	2.0 in × 1182 ft	No		222103	No	No	36	\$10.00/roll
20539	3.00 in × 1182 ft	No		222102	No	No	6	\$126.25/case
34056	4.00 in × 1182 ft	No		222116	No	No	24	\$30.50/roll

Prices for black ribbon only.

Color ribbon—contact RLWS sales for prices and availability.

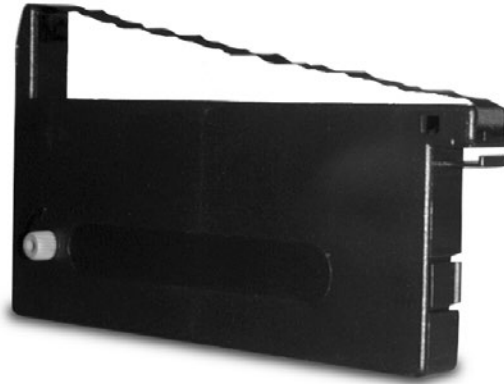
Scannable colors include: Silver, gold, green, blue, brown, purple, maroon, midnight blue, fuchsia, kelly green, royal blue, lavender

Additional colors available: Red, orange, yellow, white, pink, pumpkin

\* Ribbon for TLP2844

\*\* Resin Performance

# Tape and Ticket Printer Impact Ribbons



## Standard Features

### TicketPress:

- Cartridge-type
- Ribbon life approximately 3 million characters

### SP2200 and SP2000:

- Cartridge-type
- Ribbon life is approximately 1 million standard characters

### IDS-150A, IDS-152, and IDS-160:

- Inked spools

### TM-U295, TM-U200, TM-300:

- Cassette-type
- TM-U295: Ribbon life is approx. 1.5 million standard characters
- TM-U200 and TM-300: Ribbon life is approx. 4 million characters (continuous printing)

### Citizen® CBM-750 and Citizen® iDP-3111:

- Cassette-type
- CBM-750: Ribbon life is approx. 4 million lines (continuous printing) iDP-3111: Ribbon life is approx. 1 million lines (continuous printing)

### Okidata 184 Turbo and 320:

- Self-inking
- Ribbon life is approximately 3 million characters

## Part Number/Price

Part #	Description	Price
<b>Line Printer</b>		
20664	Okidata 184 Turbo and 320 ribbon cartridge	\$8.50
<b>Tape Printer</b>		
41902	Citizen CBM-750 red/black ribbon cartridge	\$10.50
31296	Epson TM-U200/TM-U220 and TM-300 purple ink cartridge (ERC 30, 34)	\$12.75
66499	Epson TM-U200/TM-U220 and TM-300 red/black ink cartridge	\$12.75
20447	IDS-160/Star® DP8340 purple ribbon cartridge	\$10.50
103728	Star SP700 black ribbon cartridge	\$12.75
<b>Tape Kiosk Printer</b>		
69920	Star SP349 and SP312 Purple ribbon cartridge	\$13.75
<b>Ticket Printer</b>		
29583	Epson® TM-U295 black ink cartridge	\$12.75
29584	Epson TM-U295 purple ink cartridge (ERC 27)	\$12.75
68525	Epson TM-U590 purple ink cartridge (ERC-31)	\$14.50
20440	IDS-150A and IDS-152 purple ink ribbon	\$26.50
20308	SP2200 and SP2000 black ink cartridge	\$25.50
69921	Star SP298, SP2320 and SP2520 purple ribbon cartridge	\$12.75
128031	TicketPress™ black ribbon cartridge	\$25.25

Don't see a ribbon or paper roll you need? Send us the manufacturer name and model of the printer and we will provide you a quotation.



# Tape Printer Paper Supplies



## Standard Features

### IDS-150A, IDS-152, IDS-160, TM-U200, TM-300, and Citizen® CBM-750:

- One-ply paper roll (W × L): 3 × 150 ft (76.2 × 45.7 m)
- Two-ply paper roll (W × L): 3 × 90 ft (76.2 × 27.4 m)

### Citizen® iDP-3111:

- One-ply paper roll (W): 2.25 in (57.1 mm)

### Star®:

- One- and two-ply paper roll (W × L): 3 in × 3 ft (76.2 × 0.9 m)
- One-ply thermal paper roll (W × L): 3.125 in × 3.25 ft (76.2 × 0.99 m), 8 in roll diameter

## Part Number/Price

Part #	Description	Price
<b>IDS-150A, IDS-152, IDS-160, TM-U220, TM-300, and Citizen CBM-750</b>		
69916	One-ply bond, (W × L) 3 in × 150 ft (76.2 mm × 45.7 m), 3 in dia., 1/2 in core	\$5.25/roll
69915	Two-ply bond, (W × L) 3 in × 90 ft (76.2 mm × 27.4 m), 3 in dia, 1/2 in core white/canary yellow	\$7.50/roll
<b>Citizen iDP-3111</b>		
42870	One-ply bond, (W × L) 2.25 in × 150 ft (57.1 mm), 7/16 in core 2 7/8 in outer diameter	\$6.00/roll
<b>Star</b>		
69916	One-ply bond, (W × L) 3 in × 150 ft (76.2 mm × 45.7 m), 3 in dia., 1/2 in core	\$5.25/roll
69915	Two-ply bond, (W × L) 3 in × 90 ft (76.2 mm × 27.4 m), 3 in dia, 1/2 in core white/canary yellow	\$7.50/roll
69917	One-ply thermal, (W) 3.125 in (75.44 mm, 2.97 in dia.) 7/16 core 230 ft	\$6.00/roll
70083	One-ply thermal, (W) 3.23 in (82 mm, 3 in dia.), 8 in roll dia. (2,020 ft long) 1 1/2 core	\$35.00/roll
71214	One-ply plain paper, (W) 3.25 in (82.5 mm, 3 in dia.), 50 rolls/case, 3/8 core	\$100.00/case
105711	Two-ply plain paper, (W) 3.25 in, 50/case, 3/8 core 3 in outer diameter	\$180.00/case
105712	Three-ply plain paper, (W) 3 in, 50 per case, 3/8 core, 3 in outer diameter (white, canary, pink)	\$192.00/case
102950	One-ply thermal, (W) 4.4 in, 6 in outer diameter, 1 in core, 930 ft roll	\$51.00/roll
20448	One-ply bond, (W × L) 4.5 in × 165 ft, 7/16 core, 3 in outer diameter	\$9.50/roll
42672	Two-ply, (W × L) 4.5 in × 95 ft, 3 in outer diameter	\$8.50/roll
70683	One-ply bond, (W × D) 4.5 × 3 in, sprocket feed, 140 ft	\$13.00/roll
107618	One-ply thermal, (W) 10 mm (4.4 in, 4 in) outer diameter, 500 ft	\$20.00/roll
102957	One-ply thermal, (W) 58 mm (2.28 in, 2 3/4 in) outer diameter, 1/2 in core	\$4.25/roll
<b>Epson</b>		
105445	One-ply thermal, (W) 80 mm (3.1 in, 6 in) outer diameter, 710 ft/roll	\$30.00/roll
105446	One-ply thermal, (W) 80 mm (3.1 in, 8 in) outer diameter, 1,268 ft/roll	\$32.50/roll
75947	One-ply thermal, (W × L) 2.25 in × 85 ft, 1 7/8 outer diameter, Mobilink, 1/2 in core	\$6.50/roll
126092	One-ply receipt (W × L) 2 in × 574 ft, 1 in core, 5 in O.D., 6 rolls/case	\$87.00/case
<b>Kiosk Printers</b>		
50426	One-ply, (W × D) 3.25 in × 6 in, 7/16 core 950 ft	\$29.00/roll
104940	One-ply thermal, (W × D) 112 mm × 5 in, 1 in core, 625 ft	\$28.75/roll
<b>Zebra Mobile</b>		
105566	One-ply thermal, 2 in continuous 79 ft rolls, 2.5 in OD (36 per case)	\$79.50/case
105565	One-ply thermal, 4 in continuous 79 ft rolls, 2.5 in OD (36 per case)	\$145.00/case
<b>Misc</b>		
66653	One-ply thermal, (W × L) 80 mm (3.1 in × 455 ft, 5 in diameter for Swecoin, Star TUP 900)	\$27.00/roll
76076	One-ply thermal, (W) 60 mm (2 3/8 in), 100 mm) outer diameter 40 mm core, wound out	\$13.75/roll
73134	One-ply bond, (W) 1 3/4 in × 1-7/8 outer diameter, 7/16 core	\$3.75/roll
47341	One-ply thermal, (W × L) 64 mm × 50 m, 1 9/16 in core	\$5.50/roll
110463	(W × L) 2 × 3 in label, RW 220 or RW 420, 125 labels/roll, 2 in OD, 36 per case	\$104.00/case
165865	Thermal paper, (W × D) 4 × 5 in, 6 rolls/case	\$335.00/case
166916	Thermal paper, (W × D) 8.5 in × 565 ft, continuous, 4 rolls/case	\$375.00/case

# Electronic Scale Tickets

## Standard Features

### Hecon® Printers, EL522 & EL516 - 20266

- Triplicate interleaved
- Size (L × W): 7.875 × 4.25 in (200 × 127 mm)
- Order quantity: 500 per package

20266

## Standard Features

### SP2200, SP2000 - 20265

- Triplicate interleaved, perforated and glued on one end
- Size (W × L): 5.5 × 9 in (139.7 × 228.6 mm)
- Order quantity: 500 per package

20265

PRINTERS

## Standard Features

### Rice Lake Scales - 71630 or 105182

- Duplicate or triplicate
- Size (W × L): 4.25 × 7 in (107 × 177.8 mm)
- Attached at 4.25 side
- Order quantity: 500 per package
- Custom (duplicate): Add company name (min. order two packs)
- Custom (triplicate): Add company name (min. order two packs)

## Standard Features

### Blank Scale Ticket - 22263

- Triplicate
- White, canary yellow and pink
- Size (L × W): 5.50 × 4.25 in (140 × 108 mm)
- Attached at 4.25 edge
- Custom: Add company name (min. order of 1,000)

## Part Number/Price

Part #	Description	Price
20266	Hecon Printers, EL522 and EL516, 500/pack	\$110.40
20265	SP2200, SP2000, 500/pack	\$114.00
71630	Rice Lake ticket, two part, 500/pack	\$60.00
105182	Rice Lake ticket, three part, 500/pack white, canary yellow, pink	\$86.50
22263	Blank scale ticket, each	\$25.00 each

# Mechanical Scale Tickets

## Standard Features

- **Fairbanks™ Scales - 20260**
- Carbonless triplicate with 2 in (50.8 mm) tear-off flap
- Size (W × L): 4.75 × 1.875 in (120.7 × 47.6 mm)
- Order quantity: 500 per package

WEIGHED ON A FAIRBANKS SCALE				No. _____
Load _____			Date _____	Received by _____
From _____				
Gross _____	lbs.	To _____		
Tare _____	lbs.	Address _____		
Net _____	lbs.	Price _____	Amt. _____	
_____ On _____	Off	Weigher _____		
<small>Form 333A Printed in U.S.A.</small>				

## Standard Features

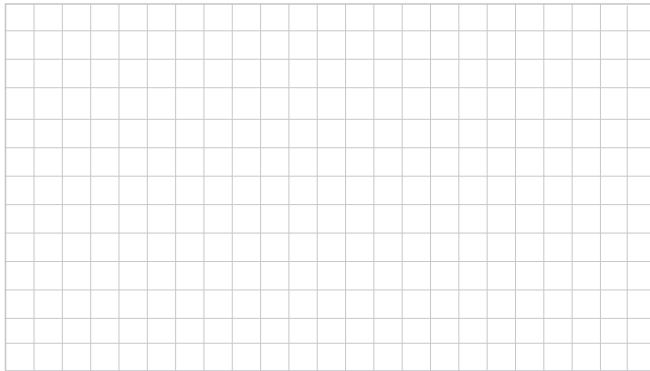
- **Howe™ Scales - 20261**
- Carbon triplicate with 2 in (50.8 mm) tear-off flap
- Size (W × L): 5.5 × 1.75 in (139.7 × 44.5 mm)
- Order quantity: 500 per package

Weight obtained by using THE HOWE PATENTED RECORDING BEAM				No. _____
From _____			To _____	Form 3A
Gross _____	Load of _____			
Tare _____	Driver { On _____			
Fees _____	Off _____	Date _____	20 _____	
Net _____			Weigher _____	

## Create Your Own Custom Ticket

### Standard Features

- Send us a copy of the existing custom format or drawing of a completely new one. Please specify number of carbon copies, dimensions, colors and text. Minimum order quantity may apply.
- Download form at [ricelake.com/customlabel](http://ricelake.com/customlabel)

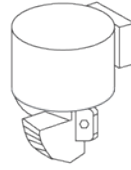
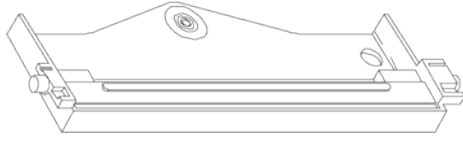


## Part Number/Price

Part #	Description	Price
20260	Fairbanks scales, 500/pack	\$78.00
20261	Howe scales, 500/pack	\$78.00

PRINTERS

# Replacement Printheads



## Part Number/Price

Part #	Description	Price
<b>Label Printers</b>		
78998	Eltron/Zebra® LP/TLP-2824 (2 in)	\$175.00
78999	Eltron/Zebra® LP-2844 (4 in)	\$205.00
79000	Eltron/Zebra® TLP-2844 (4 in)	\$225.00
95375	Eltron/Zebra® Z4000, S4M (203 dpi)	\$730.00
111091	Eltron/Zebra® Zebra GK,(203 dpi)	\$210.00
107532	GoDex DT2X printhead	\$120.00
150743	GoDex DT4xW printhead	\$205.00
150746	GoDex G500 printhead	\$205.00
53939	Honeywell® I-4208 I-4210, I-4212 (203 dpi)	\$475.00
210807	Honeywell® M-4210, 203 dpi	\$1,170.00
96957	Honeywell® H-4212, 203 dpi	\$475.00
112517	Honeywell® E4205 (e) (203 dpi)	\$175.00
103368	Honeywell® M4206, (203 dpi)	\$520.00
118183	Honeywell® Print engine A-class model 4212, 203 dpi	\$475.00
<b>Tape Printers</b>		
118730	Epson TM-U220	\$135.00
<b>Ticket Printers</b>		
29535	Epson® TM-290/TM-U295	\$315.00
116659	Epson® TM-U590	\$315.00
68726	Epson® TM-U590 print mechanism	\$890.00
35347	Rice Lake Weighing Systems SP2200	\$300.00
72513	Star® SP298	\$135.00

PRINTERS



## Part Number/Price

Part #	Description	Price
<b>Interface Cables for TicketPress, SP-2200, TM-U295, TM-U590 and Star® Printers</b>		
15547	Blunt end, 25-pin D-sub male RS-232 serial interface cable	\$70.00
15548	25-pin D-sub male to 25-pin D-sub male 20 mA serial interface cable (SP2200 only)	\$70.00
15568	25-pin D-sub male to 25-pin D-sub male RS-232 serial interface cable (this is a kit, not a complete cable)	\$70.00
Consult	Custom 20 mA/RS-232 serial interface cable	\$95.00
<b>Interface Cables for I-Class</b>		
15547	Blunt end, 25-pin D-sub male RS-232 serial interface cable	\$70.00
Consult	Custom RS-232 interface cable	\$95.00
<b>Interface Cables for Desktops, GoDEX Models, Zebra, E-4203 and M-4206</b>		
41276	DB9 male RS-232 cable to blunt end	\$77.00
<b>Straight Cable</b>		
70056	DB9 male to DB9 female	\$40.00
50749	DB9 female to DB9 female	\$60.00
41279	DB25 male to DB9 male	\$70.00
72440	DB25 male to DB9 female	\$67.00
<b>Null Modem Cable</b>		
66535	DB9F to DB9 female, null modem	\$46.00
64794	DB9 male to DB9 female	\$69.00
<b>USB Cable</b>		
79074	USB-A (male) to USB-B (male) cable, 6 ft	\$35.00
153603	USB to nine-pin male RS-232 adapter	\$105.00
156806	USB-A (male) to USB-A (male) cable, 1 m	\$35.00
156807	USB-A (male) to USB-A (male) cable, 3 m	\$50.00
156808	USB-A (male) to USB-A (male) cable, 5 m	\$60.00
156809	USB-A (male) to USB-B (male) cable, 1 m	\$55.00
156815	USB-A (male) to USB-B (male) cable, 3 m	\$55.00
156811	USB-A (male) to USB-B (male) cable, 5 m	\$70.00
<b>Ethernet Cable/RJ45</b>		
72697	RJ45 to RJ45, 7 ft	\$40.00
78860	RJ45 to RJ45, crossover 7 ft	\$40.00
75594	RJ45 to nine-pin female	\$70.00
156817	RJ45, 1 m	\$35.00
156818	RJ45, 3 m	\$42.00
156821	RJ45, 5 m	\$50.00
<b>Misc. Cables and Adapters</b>		
22436	Blunt end, nine-pin D-sub female	\$70.00
130213	Blunt end DB25 male	\$58.00
165698	Female to male gender changer	\$11.25
119064	Slimline, null modem gender changer, DB9 female/female	\$12.50
130789	Null modem DB9 M/F	\$14.50

Blunt-end cables interface to: UMC444, UMC555, UMC600, IQ700, IQ plus® 310A, IQ plus® 355, IQ plus® 390-DC, IQ plus® 510, IQ plus® 590-DC, IQ plus® 710, IQ plus® 800, and IQ plus® 810, 520 and 920i®

Custom cables are designed to interface with your specific equipment. Please specify equipment model number and connector type. Standard cable length is 5ft (1.5m).

# Dust Covers



## Standard Features

- Tough, flexible transparent vinyl, constructed with heavy-duty stitching
- Loose fit allows for operation of switches or controls through the dust cover
- Available for most types of scale equipment

Protect your electronic scales, weight indicators and printers with a scale veil. Reduce costly repairs and down time due to moisture penetrating through instrument enclosures during cleanup or operation.

## Part Number/Price

Model	Part #	Price
<b>Epson</b>		
TM290/295	<b>29582</b>	\$58.00
TM-U200 TM-U220	<b>35666</b>	\$63.00
TM-U590	<b>111840</b>	\$69.00
<b>Okidata</b>		
Okidata 184 Turbo printer	<b>21208</b>	\$69.00
Okidata 320/390	<b>21226</b>	\$69.00

*Custom veils and specials available; consult factory.*

PRINTERS



# Remote Displays / Scoreboards

---

## TABLE OF CONTENTS

<b>LaserLight2™</b> .....	<b>914</b>
<i>Remote Display</i>	
<b>LaserLight3™</b> .....	<b>916</b>
<i>Color Messaging Remote Display</i>	
<b>LaserLT-60 and LaserLT-100</b> .....	<b>918</b>
<i>Remote Display or Weight Indicators</i>	
<b>RD-232</b> .....	<b>920</b>
<i>Remote Display</i>	
<b>RD-300</b> .....	<b>921</b>
<i>Remote Display</i>	

*Product names, logos, brands and other trademarks featured or referred to within this publication are the property of their respective trademark holders.*

# LaserLight2™

Remote Display



## Specifications

### Display:

6-digit, 7-segment discrete red LED lamps  
 Contrast enhanced optical filtering lens  
 1 or 2 place decimal or comma indication  
 4 annunciators for GR, NT, lb, kg  
 4-inch red, green ball/arrow in stop/go model

### Maximum Viewing Distance:

4 in: 100 ft (30 m)  
 6 in: 150 ft (46 m)

### Input Interface:

RS-232, RS-485, 20 mA current loop (active or passive, switch selectable)

### Output Interface:

Configurable echo out port or RS-232

### Input Data Format:

Baud Rate: 1200, 2400, 4800, 9600 and 19200  
 Self-learning or software selectable

### Character Format:

7 or 8 data bits; even, odd, or no parity; 1 or 2 stop bits, self-learning or software selectable

### Update:

Continuous or out-of-motion only;  
 software selectable

### Power Consumption:

AC voltages: 100/240 VAC; 50/60 Hz  
 4 in: 21 watt  
 6 in: 27 watt

### Time:

Software enable/disable, 12- or 24-hour format

### Date:

Software enable/disable, US or ISO format

### Rating/Material:

IP66 weather tight, mild steel, powder coated

### Weight:

4 -inch: 20 lb (9 kg)  
 6 -inch: 25 lb (11 kg)

### Operating Temperature Range:

-40 °F to 120 °F (-40 °C to 49 °C)

### Warranty:

Two-year limited

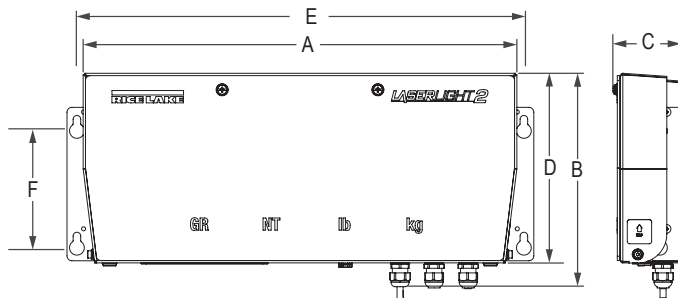
## Dimensions

LaserLight2			
22-inch Enclosure (Four-inch Model)			
A	22.28 in (565 mm)	D	9.80 in (250 mm)
B	10.96 in (280 mm)	E	23.00 in (584 mm)
C	3.28 in (85 mm)	F	6.00 in (152 mm) 3/8 inch bolt
31-inch Enclosure (Six-inch and Stop/Go Models)			
A	30.63 in (780 mm)	D	12.77 in (325 mm)
B	13.94 in (355 mm)	E	31.00 in (787 mm)
C	3.73 in (95 mm)	F	7.75 in (197 mm) 3/8 inch bolt

(Flanges add 2.00 in width)

## Standard Features

- Available with a 4 in (100 mm) or 6 in (150 mm) digit display
- Six high-intensity red digits (double-row discrete LED)
- Time and date displayed when scale is empty
- Auto Learn mode of communication protocols
- Hold displayed weight (demand input)
- Software selectable standstill mode for no updates while in motion
- Setting for 10 levels, daylight/night intensity
- Non-glare contrast filtered lens
- Mirror (reverse image) function
- Wall mounted with side flanges or with VESA mount
- Goretex® breather vent inhibits internal moisture buildup
- Red, green and arrow lights in stop/go version, set with either digital input or serial command



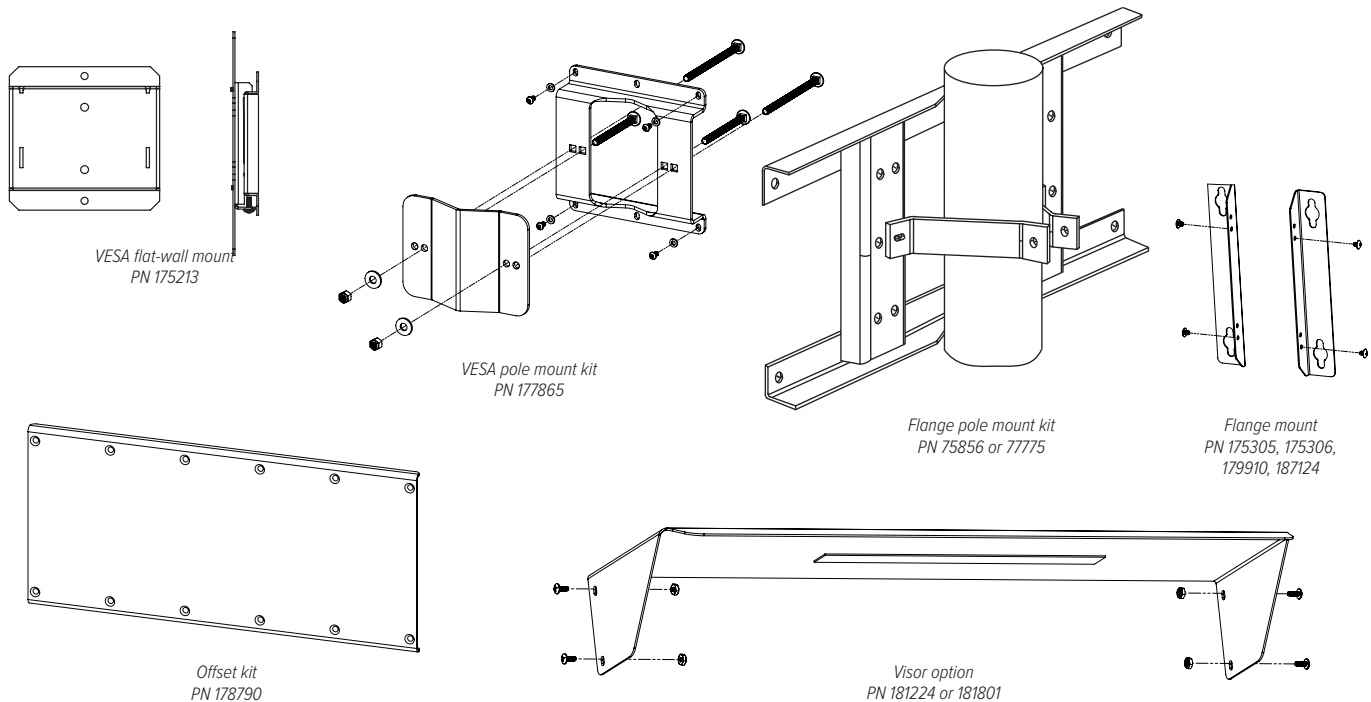
REMOTE DISPLAYS /  
SCOREBOARD

## Part Number/Price

Part #	Description	Est. Weight	Price
<b>Includes Flange Mount Hardware</b>			
167091	LaserLight2 remote display 4-inch (100 mm) includes PN 175305	20 lb	\$2,015.00
167092	LaserLight2 remote display 6-inch (150 mm) includes PN 175306	25 lb	\$2,550.00
167093	LaserLight2 remote display stop/go 4-inch (100 mm) includes PN 175306	25 lb	\$2,550.00
175286	LaserLight2 remote display 4-inch (100 mm) stainless steel includes PN 179910	20 lb	\$2,400.00
187120	LaserLight2 remote display stop/go 4-inch (100 mm) stainless steel includes PN 187124	25 lb	\$2,975.00
<b>Includes VESA Mount Hardware</b>			
175860	LaserLight2 remote display 4-inch (100 mm) includes PN 175213	20 lb	\$2,040.00
175861	LaserLight2 remote display 6-inch (150 mm) includes PN 175213	25 lb	\$2,575.00
175862	LaserLight2 remote display stop/go 4-inch (100 mm) includes PN 175213	25 lb	\$2,575.00

## Options/Accessories

Part #	Description	Price
175052	Wireless interface, pair of ConnexLink Radios and mount	\$835.00
214644	Wireless interface, ConnexLink radio client kit	\$495.00
175213	Mount bracket, VESA flat-wall option (included with VESA mounted remote)	\$95.00
175305	Mount bracket, 4-inch flange option (included with flange mounted remote)	\$29.00
175306	Mount bracket, 6-inch flange option (included with flange mounted remote)	\$29.00
179910	Mount bracket, 4-inch stainless steel flange option (included with flange mounted stainless steel remote)	\$32.00
187124	Mount bracket, 6-inch stainless steel flange option (included with flange mounted stainless steel remote)	\$42.00
75856	Pole mount kit, 4-inch flange option (24-inch wide frame for 4-8 inch dia. pole)	\$280.00
7775	Pole mount kit, 6-inch and 4-inch stop/go flange option (32-inch wide frame for 4-8 inch dia. pole)	\$280.00
177865	Pole mount kit, VESA flat-wall option mount for 2-6 inch pole	\$90.00
178790	Offset kit (right or left flag mount) used with universal pole mount (requires PN 177865)	\$82.00
181224	Visor for 22 inch enclosure (not required for weather protection)	\$190.00
181801	Visor for 31 inch enclosure (not required for weather protection)	\$205.00



REMOTE DISPLAYS /  
SCOREBOARD

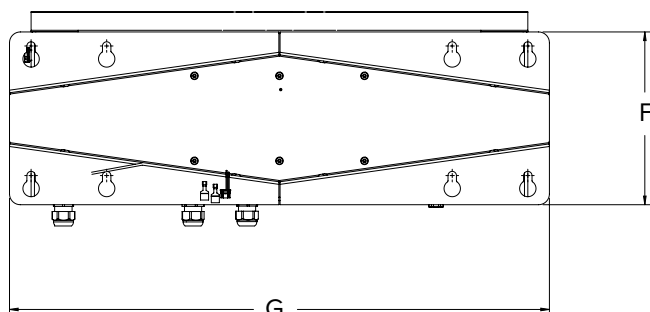
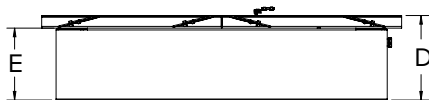
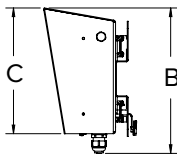
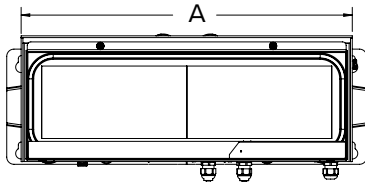
# LaserLight3™

Color Messaging Remote Display



## Dimensions

LaserLight3			
A	23.00 in (584 mm)	E	5.00 in (127 mm)
B	10.10 in (256 mm)	F	8.00 in (203 mm)
C	8.73 in (222 mm)	G	25.02 in (636 mm)
D	5.87 in (149 mm)		



Mount Plate

## Standard Features

- Vibrant 128- by 32-pixel LED color display with non-glare lens; high-intensity digits up to 5 inches tall
- Color commands change background and foreground text
- Auto Learn identifies and interprets the source weight data string for maximum compatibility with a wide range of indicators
- Versatile layout choices include mirror mode, 1-line, 2-line and quadrant format
- Dynamic messaging views can scroll, slide or flash
- Display stop/go light symbols/arrows with digits up to 4 inches tall
- Selectable time/date when weight is at zero
- Integrated weathertight keypad for sending configurable scale commands to the indicator
- Durable IP66 enclosure with Gore-Tex® breather vent to inhibit internal moisture
- RS-232, RS-422, 20 mA and Ethernet TCP/IP
- Mounting options include VESA, flange and pole configurations

## Options

- Wireless LAN, Wi-Fi interface 802.11 a/b/g/n
- Wireless interface, pair of ConnexLink radios and mount
- Pole mount kit for 4 to 8 inch pole
- VESA kit for 2 to 6 inch pole
- Sunshade visor, 8-inch painted steel

## Specifications

### Power Consumption:

AC voltages: 100 to 240VAC; 50/60 Hz  
120 watt (120 VAC)  
95 watt (12 VDC)

### Output Interface:

Ethernet TCP/IP, independently configurable echo port

### Input Data Format:

Baud Rate: 1200, 2400, 4800, 9600, 19200, 38400, 57600 and 115200 self-learning or configurable

### Update:

Continuous or out-of-motion modes  
Message interrupt mode

### Digital I/O:

Four I/O read or set  
5V logic

### Communication Ports:

Ethernet TCP/IP, RS-232, RS-485,  
20 mA passive loop

### Optional

ConnexLink™ wireless radio,  
WLAN interface 802.11 a/b

### Character Format:

7 or 8 data bits; even, odd, or no parity;  
1 or 2 stop bits

### Maximum Viewing Distance:

4-inch character: 100 ft (30 m)  
5-inch character: 150 ft (46 m)

### Viewing Angle:

160°

### Display:

Bright, outdoor color LED lamps  
128 × 32-pixel, 4 mm pitch  
Decimal or comma indication  
Weight display with units and mode  
Message display 1, 2 or 4 lines  
Stop/go and directional arrow

### Keys/Buttons:

Integrated keypad

### Time:

Software enable, 12- or 24-hour format

### Date:

Software enable, US or ISO format

### Dimensions:

(L × W × H)  
25 × 10 × 6 in

### Temperature Range:

Operating: -40 °F to 120 °F (-40 °C to 49 °C)

### Rating/Material:

IP66 weathertight  
Mild steel, powder-coated

### Weight:

Without wall mount:  
14.19 lb (7.81 kg)  
With wall mount:  
20.48 lb (10.66 kg)  
With sunshade:  
29.79 lb (14.88 kg)

### Warranty:

Two-year limited

**Part Number/Price**

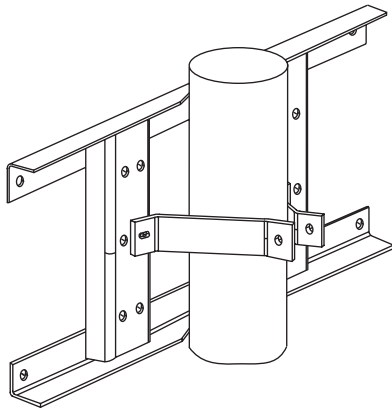
Part #	Description	Est. Weight	Price
<b>Remote Display</b>			
214825	LaserLight3 color 5-inch messaging remote display	20 lb	\$2,110.00
<b>Weight Indicator</b>			
205780	LaserLight3 large display weight indicator, 32x128 LED, 115-230 VAC	20 lb	\$2,495.00

**Options/Accessories**

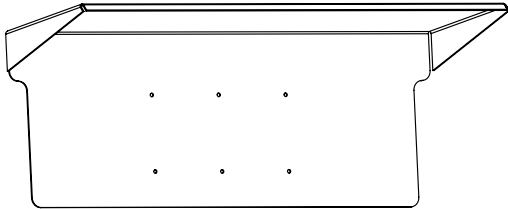
Part #	Description	Price
212745	Pole mount kit, VESA flat-wall, 200 mm W x 100 mm H, 6 fasteners (M4 x 8 mm) for 2-6 inch pole	\$100.00
75856	Pole mount kit, 4-inch flange style (24-inch wide frame use with 4-8 inch dia. pole)	\$280.00
208807	Sunshade, 8-inch	\$135.00
209118	Wireless LAN, RS-232/Wi-Fi interface 802.11 a/b XPico module	\$250.00
212753	RF interface, paired ConnexLink radios transceiver kit and mount	\$835.00



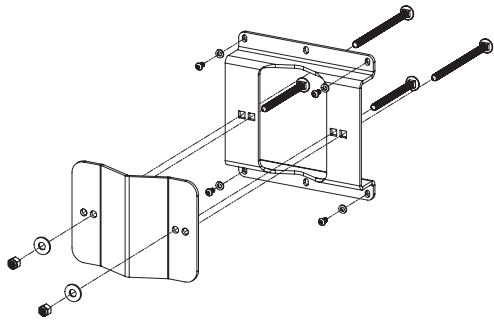
*Optional sun visor*



*Flange pole mount kit  
PN 75856*



*Sunshade  
PN 208807*



*VESA pole mount kit  
PN 212745*

**REMOTE DISPLAYS /  
SCOREBOARD**

# LaserLT-60 and LaserLT-100

Remote Display or Weight Indicators



LaserLT-60



LaserLT-100

Approvals



## Part Number/Price

Part #	Description	Price
<b>Remote Display</b>		
185253	LaserLT-60 remote display, 2.4 in (60 mm) LED	\$1,330.00
185255	LaserLT-100 remote display, 4.0 in (100 mm) LED	\$1,715.00
<b>Weight Indicator</b>		
197453*	LaserLT-60, indicator for weighing 2.4 in (60 mm) LED	\$1,380.00
197454*	LaserLT-100, indicator for weighing 4.0 in (100 mm) LED	\$1,765.00

\*See Instrumentation catalog section for LaserLT models that are configurable as a weight indicator (using SCT-1100 firmware).

- Max 10,000 divisions or multi-range
- A/D 24 bit 4-channel conversion
- Connect 4 cells with summing or up to 4 independent weighing systems

## Options/Accessories

Part #	Description	Price
185256	Mount bracket, 2 tilting side brackets for LaserLT-100	\$65.00
185258	Visor for LaserLT-100	\$165.00

## Standard Features

- LED display
- Auto Learn mode, weight value only
- Manual configuration for format length, weight location, termination character
- Manual Configuration mode for reading weight, variables and bitmap bytes
- Parameters for motion, overload, decimal point, net character, COZ
- Status LEDs for Zero, Motion, Net, Unit 1, Unit 2
- Integrated five-key waterproof keypad with configurable scale commands
- Adjustment for six levels of brightness through the keypad
- Includes removable back wall mount bracket
- Fitted with anti-condensation air valve to regulate humidity and pressure

## Specifications

### Power:

AC voltages: 110 to 240 VAC  
DC voltages: 12 to 24 VDC

### Display:

6-digit, 7-segment discrete red LED lamps, single width  
2.4 in (60 mm) or 4 in (100 mm) digit  
Decimal/comma indication in any position  
Annunciators for NT, Stability, COZ

### Maximum Viewing Distance:

LaserLT-60: 2.4 in digit 75 ft (25 m)  
LaserLT-100: 4 in digit 100 ft (30 m)

### Communication Ports:

RS-232, RS-485

### Input Data Format:

Baud rate: 1200 to 115.2 K software selectable  
Even parity 7 data bits, or no parity 8 data bits

### Update:

Software selectable 1-20/sec

### Digital I/O:

Two inputs, 12 to 24 VDC  
Two outputs, 48 VAC, 60 VDC max

### Rating/Material:

304 stainless steel, IP68

### Weight:

10 lb

### Operating Temperature:

-40 °F to 120 °F (-40 °C to 49 °C)

### Warranty:

One-year limited

### Approvals:

CE Marked

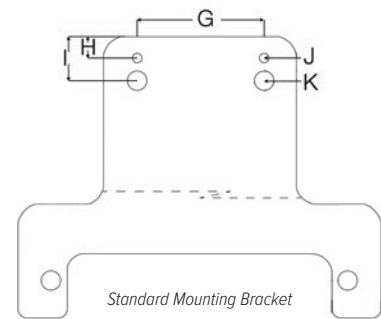
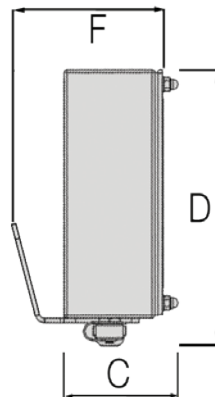
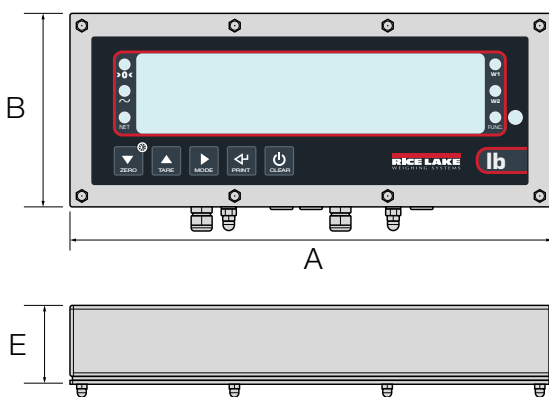


# LaserLT-60 and LaserLT-100

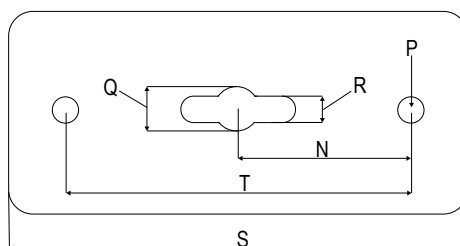
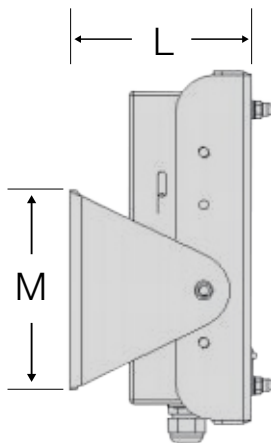
Remote Display or Weight Indicators

## Dimensions

LaserLT-60/LaserLT-100			
LaserLT-60			
A	16.14 in (410 mm)	D	7.28 in (185 mm)
B	6.50 in (165 mm)	E	2.64 in (67 mm)
C	3.03 in (77 mm)	F	4.84 in (123 mm)
LaserLT-100			
A	16.93 in (430 mm)	D	7.63 in (194 mm)
B	7.28 in (185 mm)	E	2.52 in (64 mm)
C	2.52 in (64 mm)	F	3.98 in (101 mm)
Mount Bracket Hole Dimensions			
G	2.36 in (60 mm)	J	0.24 in (6 mm)
H	0.39 in (10 mm)	K	0.39 in (10 mm)
I	0.81 in (21 mm)		



Optional Side Bracket for LaserLT-100 Hole Dimensions			
L	3.98 in (101 mm)	Q	0.43 in (11 mm)
M	4.13 in (105 mm)	R	0.28 in (7 mm)
N	1.57 in (40 mm)	S	4.13 in (105 mm)
P	0.28 in (7 mm)	T	3.15 in (80 mm)



LaserLT-100  
Optional Side Bracket

REMOTE DISPLAYS /  
SCOREBOARD

# RD-232

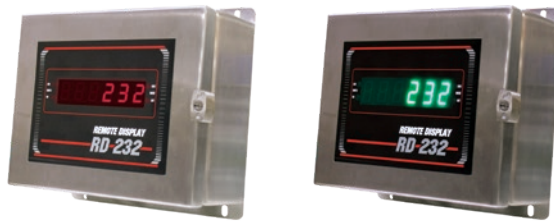
Remote Display



RD-232 NEMA Type 4X FRP Enclosure



RD-232 Compact Stainless Steel Wall Mount Enclosure



RD-232 NEMA Type 4X Stainless Steel Wall Mount Enclosure

## Standard Features

- AC or DC operation
- Easy-to-read 0.8 in (20 mm) LED red or green (sunlight visible)
- Three enclosure types or panel mount kit
- Four annunciators
- Full floating decimal point
- Compatible with a variety of digital weighing indicators; DIP switch selectable intuitive data receiver interprets serial strings

## Specifications

### Display:

6-digit, 7-segment, 0.8 in (20 mm) LED  
Red (standard intensity)  
Green (sunlight visible)

### Annunciators:

lb, kg, gross, net

### Operating Voltage:

115 VAC, 230 VAC available  
DC voltage Range: 6.2-18 VDC

### Input Interface:

RS-232, 20 mA active or passive current loop  
ASCII compatible

### Baud Rate:

Selectable: 300, 600, 1200, 2400, 4800,  
9600, 19200

### Operating Temperature:

-13 °F to 104 °F (-25 °C to 40 °C)

### Rating/Material:

NEMA Type 4X FRP or stainless steel

### Weight:

Approximately 5 lb (2.3 kg)  
Stainless steel unit, approximately 8 lb (3.6 kg)

### Warranty:

One-year limited

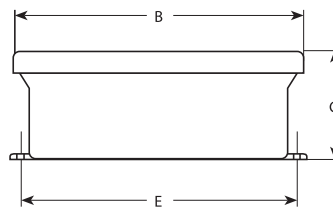
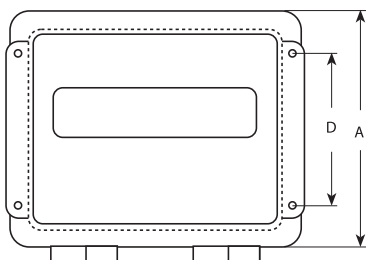
## Part Number/Price

Part #	Description	Est. Weight	Price
<b>Red LED</b>			
32716	RD-232, 115 VAC/12 VDC, FRP enclosure, red LED	5 lb	\$1,030.00
68786	RD-232, 115 VAC/12 VDC, compact stainless steel wall mount enclosure, red LED	5 lb	\$1,030.00
32717	RD-232, 115 VAC/12 VDC, NEMA Type 4X stainless steel wall mount enclosure, red LED	8 lb	\$1,280.00
32727	RD-232, 115 VAC/12 VDC, panel mount, red LED	3 lb	\$980.00
34748	RD-232, 230 VAC/12 VDC, no power cord, FRP enclosure, red LED	5 lb	\$1,130.00
<b>Green LED</b>			
178168	RD-232, 117 VAC/12 VDC, FRP enclosure, green LED	5 lb	\$1,030.00
178169	RD-232, 117 VAC/12 VDC, compact stainless steel wall mount enclosure, green LED	5 lb	\$1,030.00
178170	RD-232, 117 VAC/12 VDC, NEMA Type 4X stainless steel wall mount enclosure, green LED	8 lb	\$1,280.00
178171	RD-232, 220 VAC/12 VDC, FRP enclosure, no power cord, green LED	5 lb	\$1,130.00

Specify interfacing indicator when ordering a remote display

## Options/Accessories

Part #	Description	Price
33210	Additional operating manual (RD-232/RD-300)	\$25.00



## Dimensions

RD-232			
FRP Enclosure			
A	8.00 in (203 mm)	D	4.00 in (101 mm)
B	9.50 in (241 mm)	E	9.00 in (222 mm)
C	6.00 in (152 mm)		
Stainless Steel Enclosure			
A	8.00 in (203 mm)	D	8.63 in (219 mm)
B	10.00 in (254 mm)	E	8.00 in (203 mm)
C	4.31 in (109 mm)		
Compact Stainless Steel Enclosure			
A	6.25 in (158 mm)	D	5.25 in (133 mm)
B	9.25 in (234 mm)	E	8.50 in (215 mm)
C	2.00 in (50 mm)		
Panel Mount			
A	5.88 in (149 mm)	D	5.12 in (130 mm)
B	7.88 in (200 mm)	E	7.12 in (180 mm)
C	2.00 in (50 mm)		



RD-300 NEMA Type 4X FRP Enclosure



RD-300 Compact Stainless Enclosure



RD-300 NEMA Type 4X Stainless Steel Enclosure

### Standard Features

- Easy-to-read 1 in (25 mm) LCD
- Three enclosure types or panel mount kit
- Status annunciators
- AC operation
- Backlight for dark conditions
- Compatible with a variety of digital weight indicators; intuitive data receiver automatically interprets serial strings

### Specifications

**Display:**

6-digit, 7-segment, 0.8 in (20 mm) LED

**Annunciators:**

lb, kg, gross, net

**Operating Voltage:**

115 VAC, 230 VAC available

DC Voltage Range: 6.2-18 VDC

**Input Interface:**

RS-232, 20 mA active or passive current loop

ASCII compatible

**Baud Rate:**

Selectable: 300, 600, 1200, 2400, 4800,

9600, 19200

**Operating Temperature:**

-13 °F to 104 °F (-25 °C to 40 °C)

**Rating/Material:**

NEMA Type 4X FRP or stainless steel

**Weight:**

Approximately 5 lb (2.3 kg)

Stainless steel unit, approximately 8 lb (3.6 kg)

**Warranty:**

One-year limited

### Part Number/Price

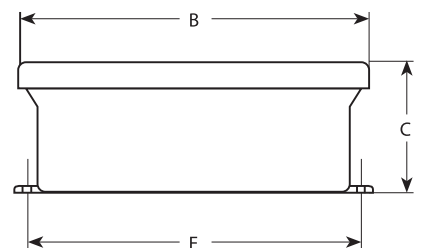
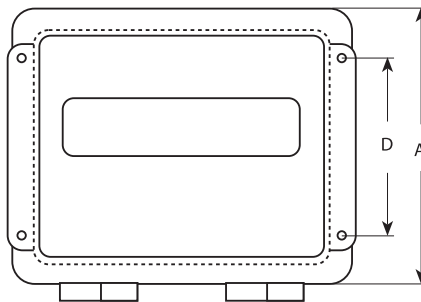
Part #	Description	Est. Weight	Price
68782	RD-300 AC, compact stainless steel enclosure with backlight	5 lb	\$1,055.00
22532	RD-300 AC, FRP enclosure with backlight	5 lb	\$1,055.00
22536	RD-300 AC, NEMA Type 4X stainless steel enclosure with backlight	8 lb	\$1,305.00
22540	RD-300 AC, panel mount with backlight	3 lb	\$980.00
34750	RD-300 AC, 230 VAC, FRP enclosure with backlight	5 lb	\$1,155.00

### Options/Accessories

Part #	Description	Price
33210	Additional operating manual (RD-300/RD-232)	\$25.00

### Dimensions

RD-300			
FRP Enclosure			
A	8.00 in (203 mm)	D	4.00 in (101 mm)
B	9.50 in (241 mm)	E	8.75 in (222 mm)
C	6.00 in (152 mm)		
Stainless Steel Enclosure			
A	8.00 in (203 mm)	D	8.63 in (219 mm)
B	10.00 in (254 mm)	E	8.00 in (203 mm)
C	4.31 in (109 mm)		
Compact Stainless Steel Enclosure			
A	6.25 in (158 mm)	D	5.25 in (133 mm)
B	9.25 in (234 mm)	E	8.50 in (215 mm)
C	2.00 in (50 mm)		
Panel Mount			
A	5.88 in (149 mm)	D	5.12 in (130 mm)
B	7.88 in (200 mm)	E	7.12 in (180 mm)
C	2.00 in (50 mm)		





# Retail

---

## TABLE OF CONTENTS

<b>Rice Lake RS-130/RS-160</b> .....	<b>924</b>
<i>Battery-Operated Price Computing Scales</i>	
<b>Ishida Astra II</b> .....	<b>925</b>
<i>Price Computing Scale with Printer</i>	
<b>Ishida Astra II</b> <b>Standard Label Formats</b> .....	<b>927</b>
<b>BenchPro™ BP-R</b> .....	<b>928</b>
<i>Multi-Purpose Digital Bench Scale</i>	
<b>QuikSharp™</b> .....	<b>930</b>
<i>Sharpener</i>	
<b>Weight Set</b> .....	<b>930</b>
<i>ASTM Class 5 Stainless Steel Satin 30lb kit</i>	

Product names, logos, brands and other trademarks featured or referred to within this publication are the property of their respective trademark holders.

# Rice Lake RS-130/RS-160

Battery-Operated Price Computing Scales



RS-130 Pole



RS-160 Bench

## Standard Features

- Toggle between lb/kg/oz\*
- PLU keys for direct price lookups
- Cash back calculation
- Large stainless steel platter
- In-use cover
- Pole swivels to face desired direction
- Battery charge indicator
- Internal sealed battery
- Customer display

\*Not Measurement Canada Approved

## Specifications

### Power:

Rechargeable battery: DC 6V/25 mA  
AC adapter: AC 115V/0.1A max (included)

### Battery Life:

100+ hours, 8 to 10 hours to recharge

### Resolution:

Display: 3,000 divisions maximum

### Annunciators:

Net, zero, kg, lb, oz. change due, cash received

### Display:

LCD backlit, 0.45 in (11.5 mm)

### Display Items:

Weight: Five-digits  
Unit price: Five-digits  
Total price: Six-digits

### Keys/Buttons:

Change, unit, zero, tare buttons  
Nine PLU keys

### Temperature Range:

Certified: 14 °F to 104 °F (-10 °C to 40 °C)

### Warranty:

One-year limited

### Approvals:

NTEP 04-067, Class III 3000d

## Approvals



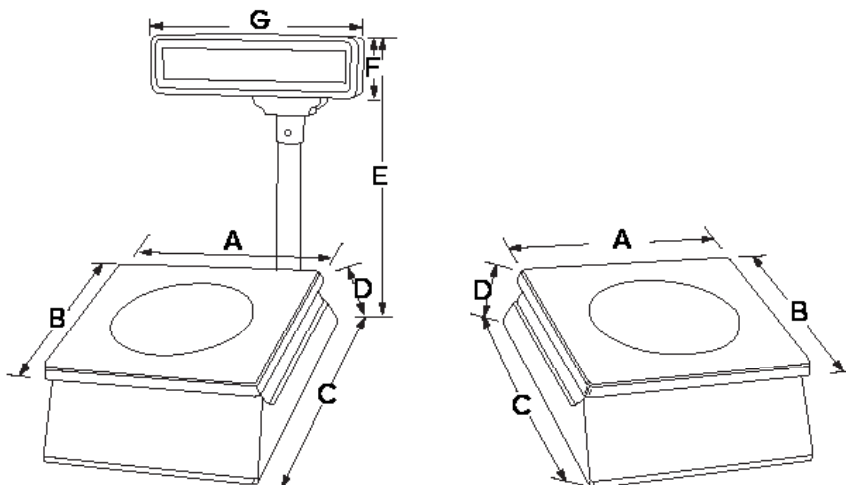
## Part Number/Price

Part #	Model	Capacity	Est. Weight	Price
167941	RS-130 Bench	30 lb × 0.01 lb 15 kg × 0.005 kg 480 oz × 0.2 oz	12 lb	\$383.50
168100	RS-130 Pole	30 lb × 0.01 lb 15 kg × 0.005 kg 480 oz × 0.2 oz	13 lb	\$395.00
167942	RS-160 Bench	60 lb × 0.02 lb 30 kg × 0.01 kg 960 oz × 0.5 oz	12 lb	\$394.00
168101	RS-160 Pole	60 lb × 0.02 lb 30 kg × 0.01 kg 960 oz × 0.5 oz	13 lb	\$406.50

NOTE: Buy quantity of 5 and get a 50% discount

## Options/Accessories

Part #	Description	Price
169634	Additional operating manual	\$15.00
169635	Additional calibration instructions	\$5.00
85711	Additional in-use cover	\$6.50
47976	Fish platter, (W × D) 9.5 × 13.5 in	\$104.00
47977	Produce platter, (W × D) 9.5 × 13.5 in	\$82.00
85710	Replacement rechargeable battery, 6V	\$23.50



## Dimensions

Bench			
Unit			
A	300 mm	C	330 mm
B	240 mm	D	120 mm
Pole			
Unit			
A	300 mm	E	410 mm
B	240 mm	F	78 mm
C	330 mm	G	280 mm
D	120 mm		

RETAIL SCALES



# Ishida Astra II

Price Computing Scale with Printer



## Approvals



## Part Number/Price

Part #	Model	Capacity	Est. Weight	Price
185822	Astra II Bench	30 lb × 0.01 lb	25 lb	\$1,863.00
185823	Astra II Pole	30 lb × 0.01 lb	25 lb	\$1,957.00
190641	Astra II Lite software CD (available for download at <a href="http://www.ricelake.com">www.ricelake.com</a> )			N/C
190642	Astra II Lite license file (for one computer only, not transferable)			\$149.00

## Options/Accessories

Part #	Description	Price
47977	Produce platter (sits on top platter included with scale)	\$82.00
47976	Fish platter (sits on top platter included with scale)	\$104.00
47341	Continuous roll thermal journal paper, 64 mm W × 50 m L (for reports only)	\$5.50
184273*	Technical manual	\$15.00
184270*	Additional operating manual	\$15.00
184274*	Additional operation card	\$15.00
170916	Additional operator keysheet insert	\$26.50
Label Stock		
47732	2.36 × 1.73 in (60 × 44 mm)	\$93.00
47733	2.52 × 1.85 in (64 × 47 mm)	\$93.00
47735	2.52 × 2.32 (64 × 59 mm)	\$93.00
47736	Pre-printed safe handling instructions, 2.52 × 2.32 in (64 × 59 mm)	\$93.00
47743 ***	Extended text, 2.52 × 3.34 in (64 × 85 mm)	\$93.00
47745	Pre-printed safe handling instructions on top of label, 2.52 × 3.34 in (64 × 85 mm)	\$93.00
47753	Blank 2.52 × 1.46 in (64 × 37 mm)	\$93.00
47754	Blank 2.52 × 1.85 in (64 × 47 mm)	\$93.00
47761	Continuous strip label stock 2.25 x 121 in (64 x 37,000 mm)	\$93.00
47762	Non-bar code, 2.52 × 2.32 in (64 × 37 mm)	\$93.00
105346	Blank 2.52 × 3.34 in (64 × 85 mm)	\$93.00

Label stock, please consult factory for case quantity pricing. Examples shown on page 927

Labels sold by the case-12 rolls per case.

\* Manuals and software programs can be downloaded at [www.ricelake.com](http://www.ricelake.com)

\*\*\* Safe handling instructions can also be printed by scale

## Standard Features

- Programmable function keys
- Blue alphanumeric LCD display
- Convenient side-loading label feature
- Wired Ethernet
- Customer display

## Specifications

### Power:

AC 100 to 240 V, 50/60 Hz

### Power Consumption:

Standby: 50 w  
In operation: 100 w

### Resolution:

Display: 3,000 divisions

### Communication Ports:

Ethernet: TCP/IP 10/100 Base-T  
USB: data backup and restore

### Memory Capacity:

2 MB

### Annunciators:

Net, zero, save, auto

### Display:

Blue alphanumeric LCD display (23 digits, 16 segments)

### Display Items:

Tare: four-digits  
Unit price: five-digits  
Total price: six-digits

### Keys/Buttons:

84 one-touch preset keys, 168 presets (assign two items/key)

### Printing Speed:

3.9 in (100 mm) per second

### Printing:

Direct thermal 2.2 in (56 mm) (448 dot, 8 dot/mm)

### Label Size:

Width: 1.5 to 2.5 in (38 to 64 mm)  
Length: 1.2 to 6.9 in (30 to 175 mm)

### Label Roll:

Inside diameter: 1.6 in (40 mm)  
Outside diameter: 3.9 in (100 mm)

### Label Backing Paper:

Width: Up to 2.6 in (66 mm)

### Temperature Range:

Certified: 14 °F to 104 °F (-10 °C to 40 °C)

### Warranty:

One-year limited

### Approvals:

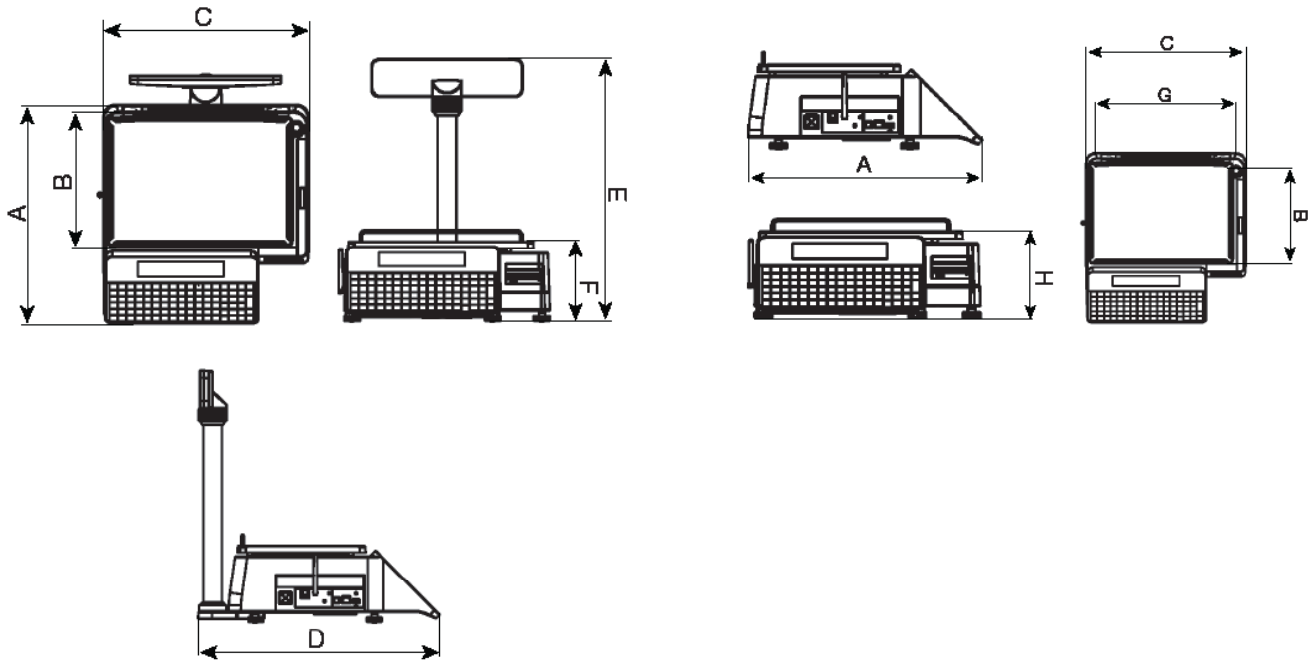
NTEP 07-005  
UL

# Ishida Astra II

Price Computing Scale with Printer

## Dimensions

<b>Bench</b>
<b>Unit</b>
17.2 × 16.1 × 6.3 in (437 × 410 × 159 mm)
<b>Stainless Steel Platter</b>
10.5 × 14.6 in (268 × 370 mm)
<b>Pole</b>
<b>Unit</b>
17.2 × 16.1 × 6.3 in (437 × 410 × 159 mm)
<b>Stainless Steel Platter</b>
10.5 × 14.6 in (268 × 370 mm)
<b>Unit with Pole</b>
19.7 × 16.1 × 20.6 in (500 × 410 × 524 mm)



# Ishida Astra II Standard Label Formats

Titles on labels are pre-printed (SELL BY, PACKED ON, \$ LB, NET WT, TOTAL PRICE)

Maximum description text per label:

Formats 1-5..... 1 name line + 2 ingredient lines

Format 6..... 1 name line + 6 ingredient lines

Format 7..... 1 name line + 17 ingredient lines

Format 8..... 1 name line + 6 ingredient lines

## Format 1

SELL BY	PACKED ON	\$/LB.	WEIGHT(LB.)
			<b>TOTAL PRICE(\$)</b>

### Example PN 47732

**60 x 44 STD.**  
Part #47732 800 Labels Per Roll

SELL BY	PACKED ON	\$/LB.	WEIGHT(LB.)
SEP28.15	SEP27.15	0.00	0.71

0 200000 200003 1000

**TOTAL PRICE(\$)**  
**\$0.00**

RICE LAKE/ISHIDA  
230 W. Coleman St. Rice Lake, WI (800) 472-6703

## Format 5

PACKED ON	\$/LB.	NET WT.	TOTAL PRICE
			<b>TOTAL PRICE</b>

SELL BY

### Example PN 47762

**60 x 37 NON BAR CODE**  
Part #47762 1000 Labels Per Roll

PACKED ON	\$/LB.	NET WT.	TOTAL PRICE
SEP27.15	0.00	0.71	

SELL BY  
SEP28.15

**TOTAL PRICE**  
**\$0.00**

RICE LAKE/ISHIDA  
230 W. Coleman St. Rice Lake, WI (800) 472-6703

## Format 2

SELL BY	PACKED ON	\$/LB.	NET WT.
			<b>TOTAL PRICE</b>

### Example PN 47733

**64 x 47 STD.**  
Part #47733 800 Labels Per Roll

SELL BY	PACKED ON	\$/LB.	NET WT.
SEP28.15	SEP27.15	0.00	0.71

0 200000 200003 1000

**TOTAL PRICE**  
**\$0.00**

RICE LAKE/ISHIDA  
230 W. Coleman St. Rice Lake, WI (800) 472-6703

## Format 6

SELL BY	PACKED ON	\$/LB.	NET WT.
			<b>TOTAL PRICE</b>

### Example PN 47735

**64 x 59 EXTENDED TEXT**  
Part #47735 625 Labels Per Roll

SELL BY	PACKED ON	\$/LB.	NET WT.
SEP28.15	SEP27.15	5.99	0.14

**TOTAL PRICE**  
**\$0.84**

RICE LAKE/ISHIDA  
230 W. Coleman St. Rice Lake, WI (800) 472-6703

## Format 3

SELL BY	PACKED ON	\$/LB.	NET WT. (LB.)
			<b>TOTAL PRICE \$</b>

### Example PN 47743

**64 x 85 SAFE HANDLING**  
Part #47743 425 Labels Per Roll

**SAFE HANDLING INSTRUCTIONS**  
THIS PRODUCT WAS PREPARED FROM INSPECTED AND PASSED MEAT AND/OR POULTRY. SOME FOOD PRODUCTS MAY CONTAIN BACTERIA THAT COULD CAUSE ILLNESS IF THE PRODUCT IS MISHANDLED OR COOKED IMPROPERLY. FOR YOUR PROTECTION, FOLLOW THESE SAFE HANDLING INSTRUCTIONS:

- KEEP REFRIGERATED OR FROZEN, THAW IN REFRIGERATOR OR MICROWAVE.
- KEEP RAW MEAT AND POULTRY SEPARATE FROM OTHER FOODS. WASH WORKING SURFACES (INCLUDING CUTTING BOARDS, UTENSILS, AND HANDS) IMMEDIATELY AFTER TOUCHING RAW MEAT OR POULTRY.
- COOK THOROUGHLY.
- KEEP HOT FOODS HOT. REFRIGERATE LEFTOVERS IMMEDIATELY OR DISCARD.

SELL BY	PACKED ON	\$/LB.	NET WT. (LB.)
SEP28.15	SEP27.15	0.00	0.71

0 200000 200003 1000

**TOTAL PRICE \$**  
**\$0.00**

RICE LAKE/ISHIDA  
230 W. Coleman St. Rice Lake, WI (800) 472-6703

## Format 7

SELL BY	PACKED ON	\$/LB.	NET WT. (LB.)
			<b>TOTAL PRICE \$</b>

### Example PN 47743

**64 x 85 EXTENDED TEXT**  
Part #47743 425 Labels Per Roll

SELL BY	PACKED ON	\$/LB.	NET WT. (LB.)
SEP28.23	SEP27.23	0.49	0.71

0 200000 200353 1000

**TOTAL PRICE \$**  
**\$0.35**

RICE LAKE/ISHIDA  
230 W. Coleman St. Rice Lake, WI (800) 472-6703

## Format 4

**SAFE HANDLING INSTRUCTIONS**  
THIS PRODUCT WAS PREPARED FROM INSPECTED AND PASSED MEAT AND/OR POULTRY. SOME FOOD PRODUCTS MAY CONTAIN BACTERIA THAT COULD CAUSE ILLNESS IF THE PRODUCT IS MISHANDLED OR COOKED IMPROPERLY. FOR YOUR PROTECTION, FOLLOW THESE SAFE HANDLING INSTRUCTIONS:

- KEEP REFRIGERATED OR FROZEN, THAW IN REFRIGERATOR OR MICROWAVE.
- KEEP RAW MEAT AND POULTRY SEPARATE FROM OTHER FOODS. WASH WORKING SURFACES (INCLUDING CUTTING BOARDS, UTENSILS, AND HANDS) IMMEDIATELY AFTER TOUCHING RAW MEAT OR POULTRY.
- COOK THOROUGHLY.
- KEEP HOT FOODS HOT. REFRIGERATE LEFTOVERS IMMEDIATELY OR DISCARD.

NET WT (LBS)	PRICE/LB (\$)	DATE

**TOTAL PRICE**

### Example PN 47736

**64 x 59 SAFE HANDLING**  
Part #47736 625 Labels Per Roll

**SAFE HANDLING INSTRUCTIONS**  
THIS PRODUCT WAS PREPARED FROM INSPECTED AND PASSED MEAT AND/OR POULTRY. SOME FOOD PRODUCTS MAY CONTAIN BACTERIA THAT COULD CAUSE ILLNESS IF THE PRODUCT IS MISHANDLED OR COOKED IMPROPERLY. FOR YOUR PROTECTION, FOLLOW THESE SAFE HANDLING INSTRUCTIONS:

- KEEP REFRIGERATED OR FROZEN, THAW IN REFRIGERATOR OR MICROWAVE.
- KEEP RAW MEAT AND POULTRY SEPARATE FROM OTHER FOODS. WASH WORKING SURFACES (INCLUDING CUTTING BOARDS, UTENSILS, AND HANDS) IMMEDIATELY AFTER TOUCHING RAW MEAT OR POULTRY.
- COOK THOROUGHLY.
- KEEP HOT FOODS HOT. REFRIGERATE LEFTOVERS IMMEDIATELY OR DISCARD.

NET WT (LBS)	PRICE/LB (\$)	DATE
0.71	0.00	SEP27.15 SEP28.15

0 200000 200003 1000

**TOTAL PRICE**  
**\$0.00**

RICE LAKE/ISHIDA  
230 W. Coleman St. Rice Lake, WI (800) 472-6703

## Format 8

**SAFE HANDLING INSTRUCTIONS**  
THIS PRODUCT WAS PREPARED FROM INSPECTED AND PASSED MEAT AND/OR POULTRY. SOME FOOD PRODUCTS MAY CONTAIN BACTERIA THAT COULD CAUSE ILLNESS IF THE PRODUCT IS MISHANDLED OR COOKED IMPROPERLY. FOR YOUR PROTECTION, FOLLOW THESE SAFE HANDLING INSTRUCTIONS:

- KEEP REFRIGERATED OR FROZEN, THAW IN REFRIGERATOR OR MICROWAVE.
- KEEP RAW MEAT AND POULTRY SEPARATE FROM OTHER FOODS. WASH WORKING SURFACES (INCLUDING CUTTING BOARDS, UTENSILS, AND HANDS) IMMEDIATELY AFTER TOUCHING RAW MEAT OR POULTRY.
- COOK THOROUGHLY.
- KEEP HOT FOODS HOT. REFRIGERATE LEFTOVERS IMMEDIATELY OR DISCARD.

SELL BY	PACKED ON	\$/LB.	NET WT.
			<b>TOTAL PRICE</b>

### Example PN 47745

**64 x 85 REDUCED S.H.**  
Part #47745 425 Labels Per Roll

**SAFE HANDLING INSTRUCTIONS**  
THIS PRODUCT WAS PREPARED FROM INSPECTED AND PASSED MEAT AND/OR POULTRY. SOME FOOD PRODUCTS MAY CONTAIN BACTERIA THAT COULD CAUSE ILLNESS IF THE PRODUCT IS MISHANDLED OR COOKED IMPROPERLY. FOR YOUR PROTECTION, FOLLOW THESE SAFE HANDLING INSTRUCTIONS:

- KEEP REFRIGERATED OR FROZEN, THAW IN REFRIGERATOR OR MICROWAVE.
- KEEP RAW MEAT AND POULTRY SEPARATE FROM OTHER FOODS. WASH WORKING SURFACES (INCLUDING CUTTING BOARDS, UTENSILS, AND HANDS) IMMEDIATELY AFTER TOUCHING RAW MEAT OR POULTRY.
- COOK THOROUGHLY.
- KEEP HOT FOODS HOT. REFRIGERATE LEFTOVERS IMMEDIATELY OR DISCARD.

SELL BY	PACKED ON	\$/LB.	NET WT.
SEP28.15	SEP27.15	3.30	0.72

0 200000 202383 1000

**TOTAL PRICE**  
**\$2.38**

RICE LAKE/ISHIDA  
230 W. Coleman St. Rice Lake, WI (800) 472-6703

RETAIL SCALES

# BenchPro™ BP-R

Multi-Purpose Digital Bench Scale



BP-R 10 × 10 with optional tabletop display pole PN 183103 and customer display PN 180901

## Approvals



Measurement  
Canada  
Approved



## Part Number/Price

Part #	Capacity	Dimensions	Est. Weight	Price
182374	15 × 0.005 lb (6 × 0.002 kg) / 15 lb × 0.1 oz	6 × 10 in	12 lb	\$730.00
182375	30 × 0.01 lb (15 × 0.005 kg) / 30 lb × 0.2 oz	6 × 10 in	12 lb	\$730.00
182376	15 × 0.005 lb (6 × 0.002 kg) / 15 lb × 0.1 oz	10 × 10 in	15 lb	\$730.00
182377	30 × 0.01 lb (15 × 0.005 kg) / 30 lb × 0.2 oz	10 × 10 in	15 lb	\$730.00
179733	15 × 0.005 lb (6 × 0.002 kg) / 15 lb × 0.1 oz	12 × 14 in	17 lb	\$572.50
179732	30 × 0.01 lb (15 × 0.005 kg) / 30 lb × 0.2 oz	12 × 14 in	17 lb	\$572.50

## Options/Accessories

Part #	Description	Est. Weight	Price
174783	Column bracket and post (12 × 14 scale only)	2 lb	\$50.00
180901	Second customer display, BenchPro BP-R no keyboard with 68 in cable	4 lb	\$72.00
174784	Second remote operator display, BenchPro BP-R with 68 in cable	4 lb	\$88.00
183103	16 in (H) tabletop display post for use with second display, customer or remote operator	4 lb	\$215.00
178501	USB-RS-232 serial adapter	1 lb	\$60.00
196179	Wedgelink cable for direct RS-232 output, 9600-N-8-1	1 lb	\$247.00

## Standard Features

- Large LCD display protected by heavy-duty tempered glass
- Powered USB HID point of sale interface – plug and play USB interface provides power and communications
- Interface for use with SMA, NCI and ECR
- Battery operation for portability (BP-R 12 × 14 scale only)
- Gravitational compensation allows for adjustment of factory calibration to meet your local gravity setting, non-approved

## Specifications

### Power:

Line Voltage: 100 to 240 VAC, +10% -15% (US 3-prong plug, w/ground)  
Batteries (12 × 14 units only):  
four AA alkaline batteries (not included)

### Power Consumption:

Frequency: 50/60 Hz +/- 3 Hz  
DC: 12 V at 0.1 amps minimum

### Battery Life:

250 hrs sleep mode or 80 hrs continuous use, backlight on 80 hrs sleep mode or 50 hrs continuous use

### Dynamic Response:

0 to 1,000 d, 1.0 sec, maximum average  
1,000 d +, 1.5 sec, maximum average

### Communication Ports:

RS-232 DB 9-pin male to female, straight pass through and null modem (10 ft cable included)  
USB A/B type (46 in cable included)  
USB HID, 2.0 full speed, vendor ID 1C19, product ID 0002

### Annunciators:

Zero, gross/brutto, net, W1/W2/W3, lb, oz, kg

### Display:

Six-digit backlight LCD display with 1 in (29 mm) characters protected by heavy-duty tempered glass

### Keys/Buttons:

Zero, units, tare, F1

### Temperature Range:

Certified: 14 °F to 104 °F (-10 °C to 40 °C)

### Warranty:

One-year limited

### Approvals:

NTEP 07-002  
Measurement Canada AM-6050  
CE



Operator display

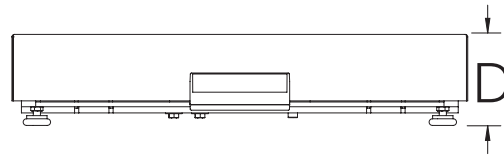
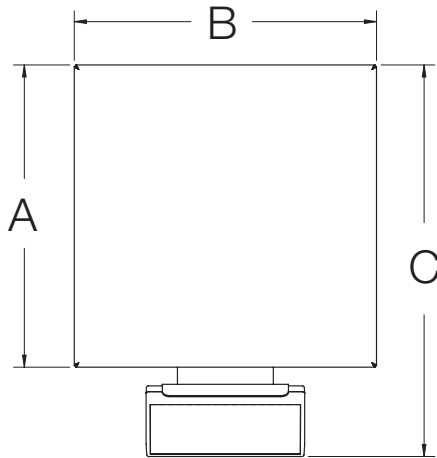


Customer display  
(optional)

RETAIL SCALES

## Dimensions

	A	B	C	D
6 × 10 in	6.0 in	10.0 in	9.0 in	2.4 in
10 × 10 in	10.0 in	10.0 in	13.0 in	2.5 in
12 × 14 in	12.0 in	14.0 in	14.5 in	2.7 in



BP-R 12 × 14 scale



BP-R 06 × 10 scale



BP-R 12 × 14 scale with optional column bracket & post

# QuikSharp™

Sharpener



## Standard Features

- Tungsten carbide sharpener
- Ceramic honing rods
- Reversible blades

## Specifications

### Blades:

Tungsten carbide

### Dimensions:

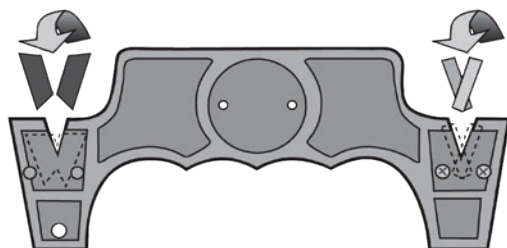
(L × W × H)  
6 × 0.75 × 2.5 in  
(152 × 19 × 64 mm)

### Honing Rods:

Ceramic

## Part Number/Price

Part #	Description	Weight	Price
78720	Intruder QuikSharp™ complete knife sharpening system	2.25 oz	\$13.00



## HOW TO REVERSE CARBIDE BLADES AND CERAMIC RODS

1. Remove screws to open sharpener.
2. Reverse blades or rods as shown.
3. Replace screws and reassemble sharpener.

Reversible blades have a total expected life of four to five years with normal use.

# Weight Set

ASTM Class 5 Stainless Steel Satin 30 lb kit



## Standard Features

- ASTM Class 5
- Protective case
- Stainless steel

## Weight Sets

Part #	Description	Price	Optional Certificate
12638	30 lb weight kit (10 lb - 3 pcs) satin	\$975.00	Accredited
12640	30 lb weight kit (5 lb - 6 pcs) satin	\$1,130.00	\$235.00
			\$470.00

RETAIL SCALES



# Scanners

## TABLE OF CONTENTS

<b>Datalogic QuickScan®</b> <b>QD2131 Series</b> .....	<b>932</b>
<i>Linear Imager Handheld Scanner</i>	
<b>Datalogic PowerScan®</b> <b>PD9130 Series</b> .....	<b>933</b>
<i>Linear Imager Handheld Scanner</i>	
<b>Datalogic PowerScan® RF</b> <b>PM9100 Series</b> .....	<b>934</b>
<i>Linear Imager Handheld Scanner</i>	
<b>Zebra DS457</b> .....	<b>935</b>
<i>Omnidirectional Laser Scanner</i>	

Product names, logos, brands and other trademarks featured or referred to within this publication are the property of their respective trademark holders.

# Datalogic QuickScan® QD2131 Series

Linear Imager Handheld Scanner

SCANNERS



## Standard Features

- Lightweight and balanced design
- Extra-wide scan angle and extra-long scan line
- Extended reading range and depth of field (DOF)
- Sharp and highly visible scan line
- Depth of field reading for general purpose scanning applications
- Datalogic's patented 'Green Spot' technology for good-read feedback
- IP42 rating for particulate and water sealing
- 1.5 m / 5.0 ft drop specification
- 5 year standard factory warranty
- EASEOFCARE service plans offer a wide range of service options to protect your investment, ensuring maximum productivity and ROI

## Depth-of-Field

- Printing resolution, contrast and ambient light dependent

## Specifications

### Light Source:

Red LED 617 nm

### Decode Capabilities:

UPC A, E/EAN 8, 13/JAN 8, 13 (including add-ons P2/P5, Code128), Code 128, Code 93, Pharmacode 39, Code 39, Codabar, Interleaved 2 of 5, Industrial 2 of 5, Matrix 2 of 5, RSS 14, RSS 14 Stacked, RSS Expanded, RSS Limited, MSI/Plessey, UK/Plessey, Telepen, Code 16K, Code 11, PDF417 with audio assist

### Dimensions:

(L × W × H)  
6.7 × 2.8 × 2.6 in  
(17.0 × 7.1 × 6.6 cm)

### Weight:

121.9 g (4.3 oz)

### Read Rate:

270 reads/sec

### Communications:

RS-232 DB9 female connector  
USB  
Keyboard wedge  
Wand multi-interface

### Operating Temperature:

32 °F to 122 °F (0 °C to 50 °C)

### Humidity:

5% to 95% non-condensing

### Shock Tolerance:

Withstands repeated drops on concrete from 5 ft (1.5 m)

### IP Rating:

IP42

### Warranty:

Five-year limited

## Part Number/Price

Part #	Description	Weight	Price
176306	QuickScan, QD2131, RS-232 6 ft cable and stand	4 lb	\$330.00
176307	QuickScan, QD2131, USB cable	4 lb	\$305.00
114796	QuickScan, QD2131, RS-232 cable, stand, eight-pin DIN cable for use with Digi® counting scales	4 lb	\$460.00
121495	QuickScan, QD2131, RS-232 cable, stand, nine-pin quick connect (supplies power from Counterpart Digital® I/O)	4 lb	\$390.00

## Options/Accessories

Part #	Description	Price
192322	Power supply, desktop 5 V, 12 W	\$48.00
112447	RS-232 6 ft cable coiled nine-pin female	\$58.00
85022	PS/2 to AT adaptor five-pin DIN male six-pin DIN female 6 in tail	\$14.00
114797	RS-232 cable with eight-pin DIN cable (for use with Digi counting scales)	\$110.00
125744	RS-232 cable nine-pin powered cable to blunt end with plug in (for use with Counterpart®)	\$58.00

Density	Range
4 mils	0.8 in to 4.3 in (2.0 cm to 11 cm)
5 mils	0.6 in to 6.0 in (1.5 cm to 15.0 cm)
10 mils	0.3 in to 15 in (0.8 cm to 38.0 cm)
20 mils	1 in to 26 in (2.5 cm to 65 cm)

# Datalogic PowerScan® PD9130 Series

Linear Imager Handheld Scanner



SCANNERS

## Standard Features

- Durable—tested to 50 drops of 2 m / 6.6 ft
- 25 kV electrostatic protection
- Datalogic's patented 'Green Spot' technology for good-read feedback
- Aladdin® software for configuration
- Linear Imager

## Specifications

### Light Source:

Aiming 630 to 680 mm VLD

### Decode Capabilities:

GS1 DataBar™ linear codes, UPC/EAN, UPC/EAN P2/P5 add ons, UPC/EAN Coupons, ISBN, Code 128, EAN 128, Code 39, Code 39 Full ASCII, Code 39 CIP, Code 32, Codabar, Interleaved 2 of 5, IATA, Industrial 2 of 5, Standard 2 of 5, Code 11, MSI, Plessey, Code 93, Follet 2/5, Code 4, Code 5, Datalogic 2 of 5, Codablock F

### Dimensions:

(L × W × H)  
8.0 × 3.0 × 4.5 in  
(20.3 × 7.6 × 11.4 cm)

### Display:

LED

### Weight:

280.0 g (9.9 oz)

### Communications:

Keyboard wedge, USB or RS-232

### Operating Temperature:

-22 °F to 122 °F (-30 °C to 50 °C)

### Storage Temperature:

-22 °F to 122 °F (-30 °C to 50 °C)

### Humidity:

5% to 95% non-condensing

### IP Rating:

IP65

### Drop Resistance:

6.6 ft (2 m)

### Warranty:

Three-year limited

## Part Number/Price

Part #	Description	Weight	Price
195144	Scanner, PD9130 YB multi-interface, requires cable - (ordered separately)	4 lb	\$588.00
195145	Scanner kit, PD9130 YBK2 scanner and RS-232 cable - (included)	4 lb	\$725.00

## Options/Accessories

Part #	Description	Price
195146	Kit, universal mount, Datalogic STD-P090	\$42.00
108217	RS-232 cable, CAB-434, 8 ft, nine-pin female coiled, PD9100 Series	\$82.00
195147	USB cable, CAB-524 for use with PD9130 only	\$82.00
108219	Keyboard wedge cable, CAB-437, PD9100 Series	\$82.00
192322	Power supply, desktop 5 volt, 12 W, PD9100 Series	\$48.00
41276	DB9-M Pin blunt end cable	\$77.00
Consult	RS-232 coiled 12 ft, CAB 467	Consult
Consult	RS-232 coiled 15 ft, CAB 486	Consult
Consult	USB, 8-0734-08	Consult

# Datalogic PowerScan® RF PM9100 Series

Linear Imager Handheld Scanner

SCANNERS



## Standard Features

- Wireless operation
- Operates up to 10 hours on a single charge
- Datalogic's patented 'Green Spot' technology for good-read feedback
- Polycarbonate molded with rubber
- Multi-point operation allows for multiple scanner communications to a single base station
- Linear Imager

## Specifications

### Light Source:

VLD between 630 to 380 nm

### Decode Capabilities:

Codabar, Codablock F, Code 11, Code 128, Code 32, Code 39, Code 39 CIP, Code 39 Full ASCII, Code 4, Code 5, Code 93, Datalogic 2 of 5, GS1 DataBar, IATA, Industrial 2 of 5, Interleaved 2 of 5, ISBN, MSI, Plessey, Standard 2 of 5, UPC/EAN supplementals

### Dimensions:

Scanner: 8.4 × 4.5 × 2.8 in  
(212 × 109 × 71 mm)  
Base station: 10.5 × 3.5 × 2.5 in  
(266.7 × 88.9 × 63.5 mm)  
(width is 4.2 in/106.68 mm including mounting knobs)

### Display:

LCD: 6 lines × 16 characters

### Base Station:

US: 110 V±10%, 60 Hz

### Weight:

Scanner: 14.2 oz (405 g)  
Base station: 16 oz (454 g)

### Communications:

Host: RS-232 with DB9 S, P/S and 12 ft cable.  
KBW (keyboard wedge) with P/S and 6 M Din, coiled cable 12 ft  
USB, 12 ft coiled cable

### Frequency Range:

(varies by country)  
915 mHz

### Temperature Range:

Operating:  
-4 °F to 122 °F (-20 °C to 50 °C)  
Storage :  
-40 °F to 158 °F (-40 °C to 70 °C)

### Humidity:

0 to 90% non-condensing

### IP Rating:

Scanner: IP65  
Base station: IP64

### Drop Resistance:

2 m

### Battery Type:

Li-Ion 2150 mAh

### Electrical:

Complies to C-CSA-US  
(60950 Canada and USA)

### Warranty:

Three-year limited

## Part Number/Price

Part #	Description	Weight	Price
196334	PowerScan RF scanner with battery, SR, 910 MHz for RS-232 keyboard wedge wand emulation interfaces (requires cable and base station)	4 lb	\$895.00
182779	PowerScan RF base station, 910 MHz for RS-232, keyboard wedge/wand	5 lb	\$530.00
190963	PowerScan PM9100 US, AC power adapter	3 lb	\$46.00

## Options/Accessories

Part #	Description	Price
108219	Cable, wedge, Y, six-pin mini DIN, five-pin D/N, universal adapter cable	\$82.00
108217	Cable, RS-232, nine-pin D-sub, 8ft	\$82.00

# Zebra DS457

Omnidirectional Laser Scanner



SCANNERS

## Standard Features

- High-speed omnidirectional scan pattern
- Rugged, durable housing
- Reads 1D and 2D symbols
- Supports 123Scan2 configuration tool
- Enables rapid and easy customized setup through a free, wizard-based PC software tool
- Scans any barcode on paper, mobile phones and computer displays

## Specifications

### Symbology Decode Capability:

1D - All major 1D bar codes  
2D - PDF417, DataMatrix, QR Code, Aztec, Composite Codes and MaxiCode  
Postal - US Postnet, US Planet, UK Postal, Australian Postal, Japan Postal

### Dimensions:

(L × W × H)  
2.44 × 2.30 × 1.15 in  
(6.20 × 5.84 × 2.92 cm)

### Weight:

3.9 oz (111 g)

### Communications:

Interfaces supported: 9-pin male D-sub USB (full speed) and TTL level RS-232 with RTS and CTS

### Performance Characteristics:

Sensor resolution: 752 (H) × 480 (V) gray scale  
Imager field of view DS457 SR: 39.6° horizontal, 25.7° vertical  
Aiming element: 655 ± 10 nm (VLD)  
Illumination element: 625 ± 5 nm (LED)

### Power Maximum:

5 VDC +/- 10% at 450 mA

### Operating Temperature:

-4 °F to 122 °F (-20 °C to 50 °C\*)

\* Laser aimer disabled above 113 °F (45 °C)

### Temperature Range:

Storage: -40 °F to 158 °F (-40 °C to 70 °C)  
85% RH, non-condensing at 158 °F (70 °C)

### Humidity:

95% RH, non-condensing at 122 °F (50 °C)

### IP Rating:

IP54

### Drop Resistance:

Withstands multiple 30 in (76 cm) drops to concrete

### Image File Formats:

BMP, TIFF, JPG

### Regulatory:

Electrical Safety ETL, VDE, CETL, EN60950, Ctick, VCCI  
Laser Classification Intended for use in CDRH Class II/IEC 825 Class I devices  
EMI/RFI FCC Part 15 Class B, ICES-003 Class B, CISPR22 Class B

### Warranty:

Three-year limited  
(against defects in workmanship and materials)

## Part Number/Price

Part #	Description	Weight	Price
154077	Motorola DS457-SR (scanner 5 VDC ±10% at 450 mA requires power source)	4 oz (111 g)	\$630.00

## Options/Accessories

Part #	Description	Price
97479	Cable assembly, DB9F to blunt end, can supply power from scale indicator DI/O	\$55.00





# Software Systems

**Table of Contents**

**Interchange** ..... **938**  
*9201®/1280 Database Management Software*

**Myrias™** ..... **939**  
*Integrated Software Solution*

**OnTrak® Enterprise** ..... **941**  
*Truck Data Management Software*

**OnTrak®** ..... **942**  
*Truck Data Management Software*

**RL Web Display** ..... **943**  
*Remote Scale Monitoring Software*

**VIRTUj2®** ..... **944**  
*PC-Based HMI for iQUBE®*

**VIRTUlink** ..... **945**  
*Cloud Accessible Diagnostics and Scale Monitoring*

**WeighVault®** ..... **947**  
*Web Application with Middleware Services*

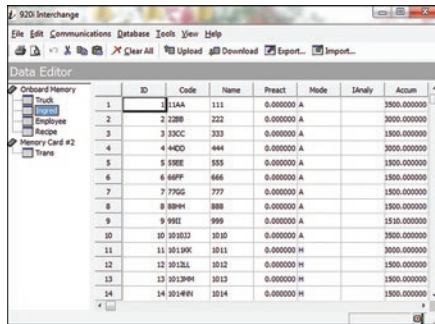
**WinWedge® TAL Software** ..... **948**  
*Wedge Software*

**SOFTWARE SYSTEMS**

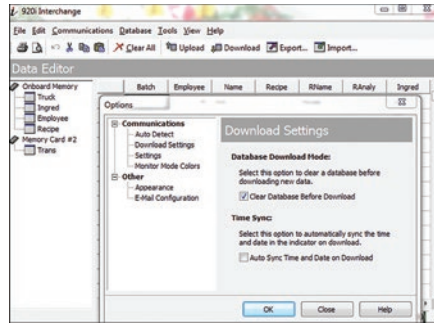
*Product names, logos, brands and other trademarks featured or referred to within this publication are the property of their respective trademark holders.*

# Interchange

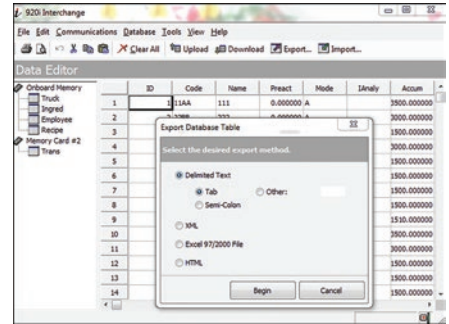
920i®/1280 Database Management Software



Database Editor



Communication Settings for Download



Export or Import Data

Interchange database management software is used to set up a custom job file for each database you need to export. Manually or automatically run the job file by setting a predetermined time using Windows® Task Scheduler.

## Part Number/Price

Part #	Description	Price
72809	Interchange database software	\$295.00

## Standard Features

- Edit and manage databases
- Set up using an export job wizard
- Connect using RS-232, RS-485 or Ethernet TCP/IP
- Program will connect to the indicator and upload current database structure
- Select the desired database
- Export database table file types: delimited text, XML, XLS, HTML
- Compatible with 920i and 1280 indicators

## Specifications

**Minimum System Requirements:**  
Windows® 7 or newer



### Standard Features

- Modular process management creates the best system for each facility
- Full material traceability
- Extensive real-time reports
- Monitor cost, product quality and regulatory compliance
- Works with many types of hardware and peripheral equipment including legacy hardware
- Integrate with third-party systems
- SQL database or proprietary file-based database

SOFTWARE SYSTEMS



Standard modules listed below - many additional modules are available

#### BATCH RECIPE FORMULATION

Accurate ingredient weighing in batches, blends and mixes. Offers benefits of consistent quality, reduced waste, better cost control and full traceability of weighing and measuring ingredients for set recipes.

- Displays recipe method, HACCP messages and manufacturing information
- Automatic calculation of ingredient weights for non-standard batch sizes

#### Part Number/Price

Part #	Description	Starting Package Price
Consult	Batch Recipe Formulation	\$8,975.00

#### CHECKWEIGHING - DYNAMIC

Records all packs from checkweigher and offers real-time charting. Immediate warning of low weights and expensive giveaway. Comprehensive records help analyze pack weights and diagnose filling faults.

- Allows product database to be centrally managed at one PC and send settings to each checkweigher
- Automatically changes products on checkweigher from central job control
- Calculates fill adjustments to maintain control target (can be displayed to operator or connected to suitable equipment for automatic feedback control)
- Advanced statistical and AI control options available for complex products
- Option to record integrated metal detector actions

#### Part Number/Price

Part #	Description	Starting Package Price
Consult	Dynamic Checkweighing	\$7,575.00

## CHECKWEIGHING - STATIC

Adds efficiency to manufacturing, sorting and food-processing applications. Each pack is continuously monitored and checked to be within a preset range or target.

- Control filling with checkweighing lights to notify operators of weight status
- Optimize limits to control weight and operator speed
- Control multiple scales from central database
- Support normal and takeaway fill control
- Automatically record each weight by operator, product and other key data
- Works with Ethernet, Wi-Fi and serial interfaces

### Part Number/Price

Part #	Description	Starting Package Price
Consult	Static Checkweighing	\$5,605.00

## FORKLIFT

Streamline material handling operations by integrating forklift scales to move and weigh pallets in one step. Straightforward prompts guide operators through each pallet transaction.

- Operator and product traceability
- Forklift performance statistics
- Real-time data sent to FTP
- Reports available in CSV or TXT files for data transfer

### Part Number/Price

Part #	Description	Starting Package Price
Consult	Forklift	\$6,975.00

## OFFLINE SAMPLING

Offers close control of pack fills to meet legal requirements and limit profit loss. Powerful diagnostics help characterize filling performance and minimize fill variability issues. Provides legally accepted records as proof of due diligence.

- Operator warning displayed for individual and collective pack fill infringements, with calculated fill adjustments to maintain control target
- Includes library of statistical control strategies
- Records secure records for average weight, minimum weight and other legislations, as well as for SPC and quality control
- Density conversion for liquid fills
- Quarantine module available to record handling of defects

### Part Number/Price

Part #	Description	Starting Package Price
Consult	Offline Sampling	\$8,575.00

## PALLET WEIGHING

Shipping and warehouse inventory systems greatly benefit from pallet weighing. Integrate data in real-time for live views of product quantities and shipping status.

- Accurate weighing and recording of pallets
- Integrates floor and fork scales into a single database
- Data analysis identifies shortages, overfills and process yields
- Labels pallets by makeup, customer, storage and other customer criteria.

### Part Number/Price

Part #	Description	Starting Package Price
Consult	Pallet Weighing	\$6,975.00

## WASTE

Optimize profits by identifying, measuring and reducing waste throughout your operation. Reductions in waste go straight to bottom-line profits.

- Monitors waste by type, product and department
- Records waste transactions for regulations
- Full traceability of all transactions
- Multiple sites can be networked back to regional and head offices for orders, accounts and reporting.
- Operator prompts guide the user quickly and smoothly through each transaction

### Part Number/Price

Part #	Description	Starting Package Price
Consult	Waste	\$6,975.00

## TRACEABILITY (ADD-ON MODULE)

Minimizes business risk in the event of a quality failure by allowing quick response to identify affected items. Helps locate process issues related to customer complaints.

- Provides full traceability from intake to dispatch through all stages of production, supply and distribution
- Links traceability data through comprehensive, easy-to-use reports
- Every transaction includes time, date, lot numbers and operator identity for full accountability
- Instant forward and backward traceability of all materials and batches

### Part Number/Price

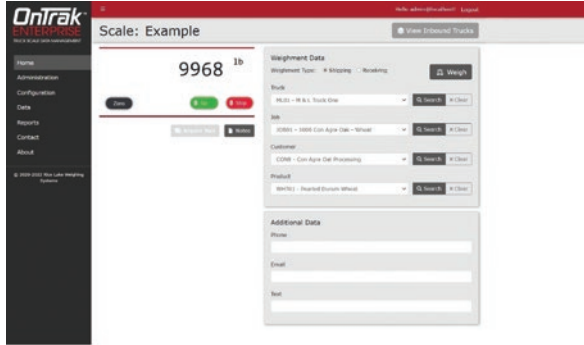
Part #	Description	Starting Package Price
Consult	Traceability	\$1,995.00



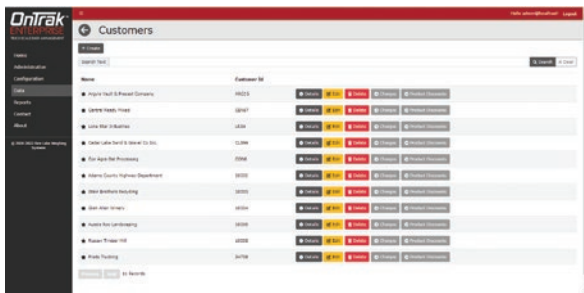
# OnTrak®

## ENTERPRISE

TRUCK SCALE DATA MANAGEMENT



Weigh Screen



Customer Screen Main

### Approvals



pending

### Part Numbers/Price

Part #	Description	Price
<b>218502</b>	OnTrak Enterprise base software	\$3,495.00
<b>Modules</b>		
<b>218503</b>	License, Kiosk Module OnTrak Enterprise	\$795.00
<b>218504</b>	License, API Module OnTrak Enterprise	\$695.00
<b>218505</b>	License, Image Capture Module OnTrak Enterprise	\$695.00
<b>218506</b>	License, LPR Module OnTrak Enterprise, License Plate Recognition	\$595.00
<b>Annual Maintenance Agreements (AMA)</b>		
<b>218507</b>	OnTrak Enterprise AMA for Base Software	\$699.00
<b>218508</b>	OnTrak Enterprise AMA for Kiosk Module	\$159.00
<b>218509</b>	OnTrak Enterprise AMA for API Module	\$139.00
<b>218510</b>	OnTrak Enterprise AMA for Image Capture Module	\$119.00
<b>218511</b>	OnTrak Enterprise AMA for LPR Module	\$119.00

Note: Annual Maintenance Agreements (AMA) are required. Billable after year two.

### Options/Accessories

Part #	Description	Price
<b>Consult</b>	Non-Rice Lake indicator interface	\$295.00
<b>Consult</b>	Custom reports	\$245.00/hour
<b>104789</b>	Phone support, one hour	\$145.00

### Standard Features

- Comprehensive transaction management
- Unlimited charge and discount amounts per product
- Calculates tax
- Ship or Receive mode for each transaction
- Assign one of four security levels to each user
- Exclusive databases for customer, hauler, truck, product, job, price/discount, tax and transaction
- Filter reports to view relevant information
- Customize printed tickets
- Back up and restore via SQL Server Management Studio available through Microsoft
- Software supports unlimited number of scales, number of scales supported is dependent on user's hardware
- Website for remote access, systems integration and data monitoring (SSL certificate required for publishing website to internet)
- A supported web browser (Google® Chrome®, Microsoft® Edge®, Mozilla® Firefox® or Apple® Safari®)

### Optional Features

- 1280 kiosk interface
- REST API
- Image capturing\*
- License plate recognition\*

### Specifications

#### Systems Requirements:

Windows® 10 or newer (x64 systems)

#### Databases:

10 GB max database size when using included Microsoft SQL Server Express

\*Unlimited database size when using a purchased edition of Microsoft SQL Server (required when using image capturing or license plate recognition)

#### Communications:

Supports all Rice Lake indicator interfaces and 1280 based Automated Ticketing Kiosks  
Optional drivers available for non-Rice Lake weight indicators (Ethernet TCP/IP required)

#### Transaction Ticket:

User defined ticket formatting

#### Export Data:

File export of completed transactions via: XML, JSON, CSV or TXT

#### Software Support:

Database configuration, field installation and training available  
Phone support packages available  
Contact Rice Lake for further options

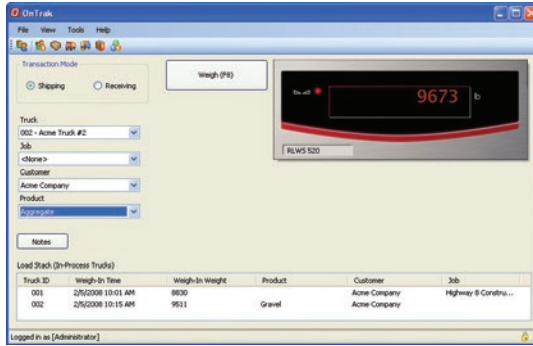
#### Approvals:

NTEP 05-107 (pending)

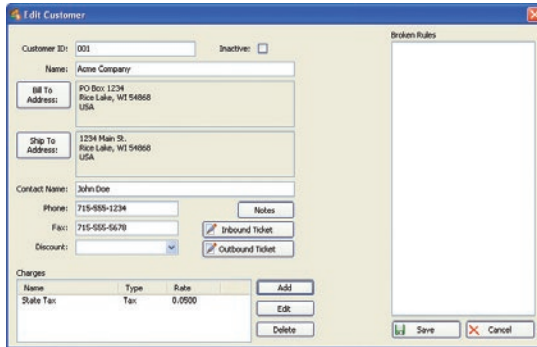
SOFTWARE SYSTEMS

# OnTrak®

TRUCK SCALE DATA MANAGEMENT



Weigh Scale



Customer Account Information

SOFTWARE SYSTEMS

## Approvals



## Part Numbers/Price

Part #	Description	Price
104787	OnTrak activation code	\$1,495.00
101062	OnTrak CD-ROM	\$84.00

OnTrak trial at [www.ricelake.com/ontrak](http://www.ricelake.com/ontrak)

## Options/Accessories

Part #	Description	Price
Consult	Non-Rice Lake indicator interface	\$245.00
Consult	Custom reports	\$243.00/hour
Consult	Database configuration	\$243.00/hour
FLD-INSTALL	Field installation	\$1,395.00/ weekday plus expenses
104789	Phone support, one hour	\$145.00
101003	Additional OnTrak manual	\$65.00

## Standard Features

- Supports systems using Windows® 10 and newer
- Microsoft SQL Server Express client/server database (free edition)
- Comprehensive report filters
- User and administrator roles
- Back up and restore via SQL Server Management Studio freely available through Microsoft
- Unlimited charge/discount per product
- Ship or Receive mode for each transaction
- Exclusive database for: customer, hauler, truck, product, job, price/discount, tax, transaction
- Ethernet TCP/IP or RS-232 connectivity
- Supports VIRTUi/VIRTUi2® or Rice Lake weight indicators
- CSV transaction file export
- Supports one or two scales

## Optional Features

- Image capture with Ethernet camera TCP/IP (requires SQL Server Standard or better through Microsoft)
- Interface to non-Rice Lake weight indicators
- Custom reports
- Database configuration
- Field installation and training
- Factory phone support

## Specifications

### System Requirements:

Windows® 10 and newer (x64 systems)

### Databases:

10 GB max database size when using included Microsoft SQL Server Express  
 Unlimited database size when using a purchased edition (contact Microsoft for details on purchasing a licensed edition of SQL Server)

### Communications:

Support for multiple printers  
 Supports all Rice Lake indicator interfaces  
 Supports VIRTUi/VIRTUi2 interface  
 920i based Automated Ticketing Kiosks  
 Optional drivers available for non-Rice Lake weight indicators

### Transaction Ticket:

User defined ticket formatting

### Reports:

Comprehensive report filters  
 Optional custom reports

### Export Data:

File transfer via XML transaction; exported reports can be saved as PDF/XLS; configurable transaction data export in CSV file format

### Transaction Calculations:

Unlimited product prices and discounts  
 Tax calculations (does not integrate directly to financial software)

### Software Support:

Database configuration, field installation and training available  
 Phone support packages available  
 Contact Rice Lake for further options

### Approvals:

NTEP 05-107



# RL Web Display

## Remote Scale Monitoring Software



Similar to viewing a scale on a remote display, RL Web Display is a software application that replicates the weight display for one or more indicators.

Using a web browser, RL Web Display allows basic access to the scale including ZERO key and Stop/Go commands when connected to a remote display.

Multiple users can remotely view configured scales with a licensed installation of RL Web Display software.

*Download runs in demo mode until a license is applied.*

### Part Number/Price

Part #	Description	Price
219392	Software, RL Web Display remote display software	\$695.00

### System Requirements

- Windows 10® build 1607 or newer (64 bit only) or equivalent Windows® Server OS
- 2.0 GHz processor or faster
- 250 MB drive space needed for install
- 8 GB ram or greater
- Ethernet TCP/IP connection
- A supported web browser (Google® Chrome®, Microsoft® Edge®, Mozilla® Firefox® or Apple® Safari®)

*NOTE: Indicators must be connected via Ethernet TCP/IP.*

### Compatible Instrumentation

- RL Web Display is compatible with multiple manufacturer's digital-weight displays that use a stream command format:
- 1280 Enterprise Series
- 920j® Series
- 880/880 Plus Performance™ Series
- 820i™ Series
- 720i™ Series
- VIRTUj2® PC-based HMI for iQUBE<sup>2</sup>
- 682 Synergy Series
- 680 Synergy Series
- 480 Legend™ Series
- 420 Plus
- IQ Plus® 355
- IQ Plus® 710
- Avery Weigh-Tronix® E1105
- Avery Weigh-Tronix® W1127
- Mettler Toledo® 8530
- Cardinal® 738

# VIRTUi2®

PC-Based HMI for iQUBE2®

SOFTWARE SYSTEMS



# VIRTUi2®

VIRTUi2 is a Windows®-based desktop application that works with iQUBE2® to replicate simple indicator functionality ideal for system integrators and OEMs wanting to provide a PC-based solution. Load cells are individually monitored and calibrated, making setup easy.

## Approvals



## Part Number/Price

Part #	Description	Price
108436	Activation part number - requires machine ID and customer's email address	\$550.00

## Standard Features

- Virtual front panel consists of display and five-button keypad
- Web browser-based iQUBE2 cell status
- Provides local and remote reporting of diagnostics and error conditions
- Up to four scales and one total scale
- Primary/secondary units configuration (lb, kg, short tons, metric tons, none)
- RS-232 communications at up to 460 kbps
- Electronic Data Processing (EDP) port over RS-232 and TCP/IP
- Printer port for output-only, simplex communications
- Two print formats
- Provides iQUBE2 configuration screen and iQUBE2 digital I/O configuration
- Supports iQUBE2 diagnostics with configurable error viewing
- Peak weight history
- Recalibration notification
- Concentrated load capacity (CLC)
- Section capacity

## Specifications

### Minimum System Requirements:

Windows® 8.1 or newer

### Serial Port:

USB to serial converter, or Ethernet TCP/IP for connection to iQUBE2

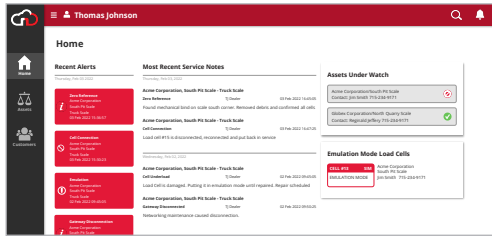
Additional serial ports are required for connections to printers/remote displays

### Annunciators:

Units (lb, kg, short tons (tn), metric tons (t), NONE) gross/net, motion, center of zero

### Approvals:

NTEP CC 04-058 Class III/III, 10,000d



VIRTUlink™ connects weighing equipment to the cloud, enabling data from networked devices to be utilized for a wide variety of business and operational decisions.

### Standard Features

#### Data

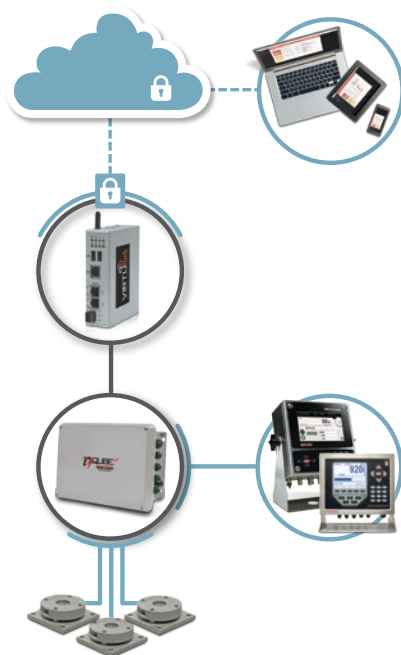
- Sends raw and analyzed values from the scale to the cloud
- Supports long-term efficiency by providing scale and throughput records
- Expandable with support for multiple data points from junction boxes, auxiliary equipment, sensors and IP cameras

#### Diagnostics

- Enhanced onboard diagnostics identify cell noise, tests for linearity and zero-reference, and monitors drift
- Diagnostics are complemented by a unique load cell emulation feature which compensates for a failing load cell until a repair can be made
- Unmatched reaction time (500 cycles per second) brings accuracy to new levels

#### Dashboard

- Online portal to monitor scale status in real-time
- Receive alert text and/or emails when scale is outside of programmable tolerances
- Remotely identify service needs and review technician notes
- Hosted on a cloud platform



### Specifications

#### Communication:

Ethernet TCP/IP

#### Power Connector:

3-pin terminal block (3.5 mm)

#### Power Supply:

24 VDC ± 6 VDC

#### Conformity with UL:

Use Class 2 power source, Over-voltage Category II

#### Current (at 24 VDC):

170 mA (typical)

#### Operating System:

Security-hardened Linux

#### Display:

8 LEDs (2 programmable)

#### Real-time Clock:

Capacitor buffered, maximum 7 days backup, maintenance free

### Gateway Hardware/Communication

#### Memory:

Integrated memory 1 GB DDR3 RAM, SD card 32 GB MLC NAND, Micro SD card

#### IT Interface:

1 x 10/100 Mbit, Microchip LAN9514  
1 x RJ45 socket LAN connector

#### Required Accessible Ports:

http (80)  
https (443)  
MQTT (1883)  
MQTT over SSL (8883)  
AMQP (5672)  
AMQPS (5671)

#### Environment Protection:

IP20

#### Ambient Temperature:

Operation: -20 °C to 60 °C  
Storage: -40 °C to 85 °C

#### Humidity Range:

10% to 95% (95% at 40 °C)  
relative humidity (non-condensing)

#### Use:

Indoor

#### Dimensions:

5.5 × 1.38 × 1.13 in  
(140 mm x 35 mm x 105 mm)

#### Weight:

0.89 lb (400 g)

#### Metal Housing:

DIN top hat rail mount

#### Approvals:

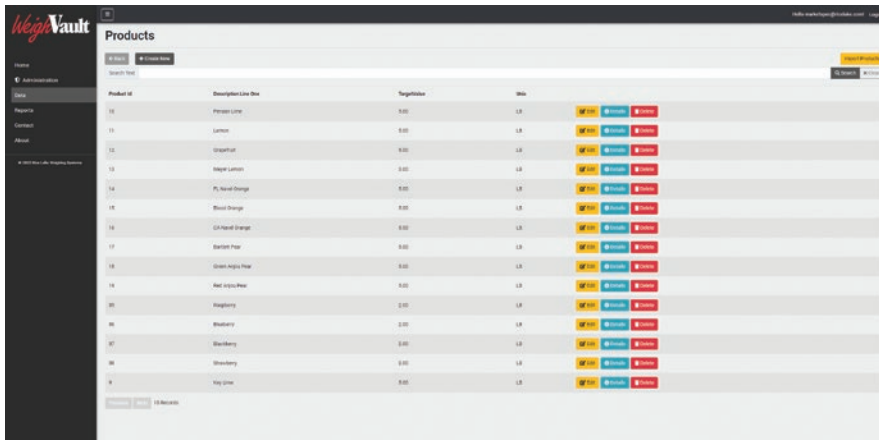
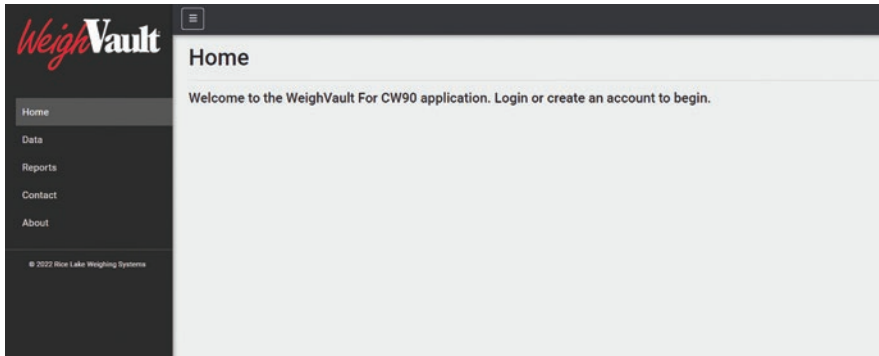
UL – Nr. E221530 Vol D1  
FCC – ID 2ANEG0001  
IC – 24152-0001  
KCC – No. R-C-HKR-ETP51EN-RE  
UL Japan – No. 007-AH0211  
RoHS  
Conformance with EMC Directives:  
CE Emission EN 55011:2009  
Immunity IEC 61000-6-2/3, EN 61131-2  
Electrostatic discharge (ESD)  
(air and contact discharge method) EN 61000-4-2  
Fast transient interferences (Burst) EN 61000-4-4  
Surge voltage EN 61000-4-5

## Part Numbers/Price

Part #	Description	Price
209604	VIRTUlink secure gateway	\$1,795.00
215212	Power supply for VIRTUlink secure gateway, 3 wire AC power and DC hookup 24 VDC cord (12 inches)	\$260.00
215213	24 VDC output wall adapter, 100 to 240VAC input, 12W	\$45.50
211283	VIRTUlink cloud service contract, annual agreement	\$1,200.00

Specifications subject to change without notice.

SOFTWARE SYSTEMS



## Standard Features

- Specialized PC software makes data entry easy
- Boost product ID storage to nearly limitless potential, and manage as many scales as necessary
- Eliminates front-panel entry of ID parameters
- Quickly program, edit and manage scales and each unique product ID right from your PC
- Stores the details of each transaction for either a single scale or multiple scales
- Collects data as transactions occur and provides detailed transaction and productivity reports
- Allows users to add, edit and access IDs over a network connection
- A supported web browser (Google® Chrome®, Microsoft® Edge®, Mozilla® Firefox® or Apple® Safari®)

### REST API designed to:

- Extend reach of WeighVault application
- Gain efficiencies for programmers integrating application specific content
- Enterprise dashboard view points
- Useful weight data related to IDs
- Boost system usage

## Part Number/Price

Part #	Description	Price
117358	Software package, WeighVault for CW-90/90X	\$265.00
125546	Software package, WeighVault for Counterpart	\$265.00

## Specifications

### Minimum System Specifications:

- CW-90X or Counterpart®
- 800+ MHz Intel® compatible processor
- 1 GB of RAM
- 750 MB hard drive space
- TCP/IP connections to a CW-90, CW-90X or Counterpart

### Recommended System Specifications:

- 1.0 GHz Intel compatible processor
- 2 GB of RAM
- 4 GB hard drive space
- Windows 10 or newer (x64 systems)
- TCP/IP connections to a CW-90, CW-90X or Counterpart

### Network Requirements:

- The PC running the WeighVault service must have a static IP address
- Known IP address and subnet of the host PC; if connecting via WLAN, known network SSID and security settings (pass keys and phrases)
- Network policy must allow passwords of six characters

## Counterpart Functions Only

### Data Registers:

- ID code [32 characters]
- Unit weight [6 places]
- Tare weight [6 places]
- Units field
- Parts name [32 characters]
- Part description [32 characters]
- Lot number [32 characters]
- Location [12 characters]
- Inventory quantity [7 characters]



### Reports:

- Part
- Inventory
- Activity
- Location

## CW-90/90X Functions Only

### Part Fields:

- Product ID [4 characters]
- Two descriptions fields [32 characters each]
- Target
- Tare
- Over
- Under
- Units



### Reports:

- Transaction
- Productivity

# WinWedge® TAL Software

Wedge Software



## Standard Features

- Input scale or instrument data directly into Excel®, Access®, statistical software, LIMS, MMIs, or any Windows® application
- Transfers RS-232 data quickly, accurately and formatted to your exact specifications
- Powerful DDE options for collecting data from multiple devices simultaneously
- Extremely easy to set up and use

## WinWedge Pro

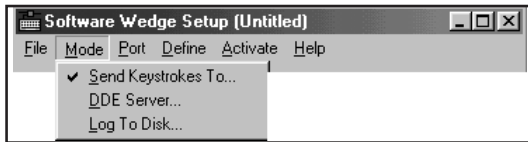
### Additional Features:

- Support for even the most complex devices and serial I/O with advanced data parsing, filtering, formatting and translation
- RS-232 data collection and I/O support, TCP/IP included with Pro version
- More advanced device control options
- Additional features such as math functions and virtual instrument mode

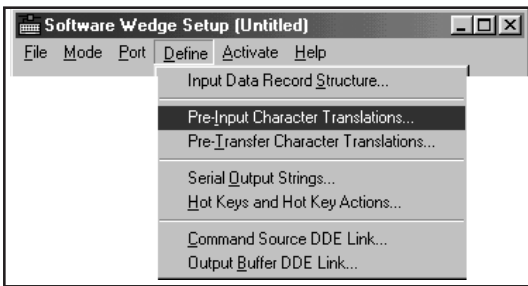
## Part Number/Price

Part #	Description	Price
75351	WinWedge® TAL software, 32 Std	\$345.00
72304	WinWedge® TAL software, 32 Pro, TCP/Wedge	\$575.00

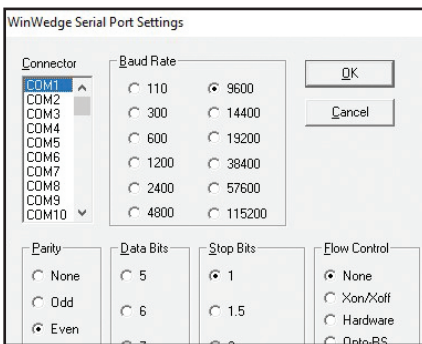
1. Select how you want the data collected:



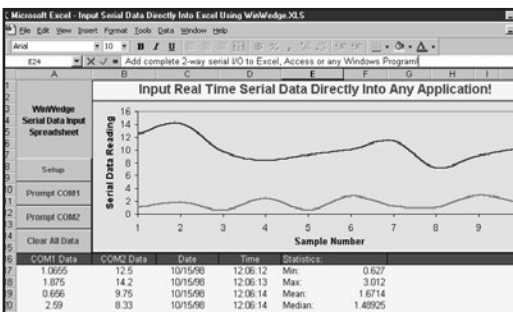
2. Choose the communication parameters for your serial device:



3. Define how you want the serial data to be parsed, filtered, and translated:



4. Activate WinWedge and watch your serial data "pop" into your application:



SOFTWARE SYSTEMS



# Vehicle Scales

---

## TABLE OF CONTENTS

<b>SURVIVOR® Truck and Rail Scales</b> .....	<b>950</b>
<b>RailBoss®</b> .....	<b>951</b>
<i>Full Draft or Double Draft</i>	
<b>RoughDeck® AX</b> .....	<b>954</b>
<i>Tandem Axle Scale</i>	
<b>AX3040</b> .....	<b>955</b>
<i>Tandem Axle Scale</i>	
<b>RoughDeck® AX-1</b> .....	<b>956</b>
<i>Axle Scale</i>	
<b>Load Ranger</b> .....	<b>958</b>
<i>Wireless Wheel Pad Scale</i>	
<b>Load Ranger Cart</b> .....	<b>960</b>
<i>Transport Cart</i>	

The following product names, logos, brands and other trademarks featured or referred to within this publication are the property of their respective trademark holders.

# SURVIVOR® Truck and Rail Scales

For more information on Rice Lake's full line of SURVIVOR® truck and rail scales, please visit our website at [www.ricelake.com](http://www.ricelake.com) or call 800-472-6703 and ask to speak with a heavy capacity team member.



## Truck Scales:

[www.ricelake.com/survivor](http://www.ricelake.com/survivor)

### SURVIVOR® OTR

Heavy-duty, top access, concrete or steel deck scales

### SURVIVOR® OTR-LP

Heavy-duty, steel deck, low profile scale for existing foundations

### SURVIVOR® OTR-XV

Extreme duty, top access, concrete or steel deck scales

### SURVIVOR® ATV

Heavy or extreme duty, top access portable steel deck scales

### SURVIVOR® SR

Heavy-duty, low profile, concrete or steel deck siderail scales

### SURVIVOR® PT

Heavy-duty, pit-type, concrete or steel deck scales

### SURVIVOR® Multi-Platform

### SURVIVOR® ATV-M

Portable, self-contained levertronic, steel deck scales

### SURVIVOR® PT-M

Pit-type, levertronic, concrete deck scales

## Rail Scales:

[www.ricelake.com/railscales](http://www.ricelake.com/railscales)

### SURVIVOR® RT

Pit-type, rail/truck combination scales

### SURVIVOR® PL

Low profile, pitless scales

### RailBoss®

Full- or double-draft rail scales

VEHICLE SCALES



\* Non-Legal for Trade

### Approvals



RailBoss Calibration Tool

### Part Number/Price

Part #	Description	Est. Weight	Price
<b>Kits</b>			
164748	RailBoss assembly kit, full draft, 90 RA rail V2	2,280 lb	\$40,900.00
215171	RailBoss assembly kit, full draft, 90 RA rail, qty 8 joint bars	2,350 lb	\$46,300.00
164749	RailBoss assembly kit, double draft, 90 RA rail V2	1,150 lb	\$20,400.00
193391	RailBoss assembly kit, full draft, 100 ARA-A	2,500 lb	\$41,100.00
215173	RailBoss assembly kit, full draft, 100 ARA-A rail, qty 8 joint bars	2,350 lb	\$46,000.00
193390	RailBoss assembly kit, double draft, 100 ARA-A	1,100 lb	\$20,500.00
215172	RailBoss assembly kit, full draft, 100 ARA-A	2,300 lb	\$46,000.00
188023	RailBoss assembly kit, double draft, 100 AREA	1,100 lb	\$21,500.00
162515	RailBoss assembly kit, full draft, 115RE rail V2	2,550 lb	\$41,100.00
215174	RailBoss assembly kit, full draft, 115RE rail, qty 8 joint bars	2,400 lb	\$45,300.00
162516	RailBoss assembly kit, double draft, 115RE rail V2	1,275 lb	\$20,500.00
164752	RailBoss assembly kit, full draft, 132RE rail V2	2,800 lb	\$41,500.00
215175	RailBoss assembly kit, full draft, 132RE rail, qty 8 joint bars	2,450 lb	\$46,400.00
164753	RailBoss assembly kit, double draft, 132RE rail V2	1,400 lb	\$20,800.00
194678	RailBoss assembly kit, full draft, 133 AREA	2,900 lb	\$41,500.00
215176	RailBoss assembly kit, full draft, 133 AREA rail, qty 8 joint bars	2,500 lb	\$46,400.00
194679	RailBoss assembly kit, double draft, 133 AREA	1,450 lb	\$20,800.00
169763	RailBoss assembly kit, full draft, 136 AREA	3,000 lb	\$43,600.00
215177	RailBoss assembly kit, full draft, 136 AREA rail, qty 8 joint bars	2,550 lb	\$48,500.00
169762	RailBoss assembly kit, double draft, 136 AREA	1,500 lb	\$21,900.00
<b>Single Rail Gauge Assemblies</b>			
164750	RailBoss 90 lb gauge assembly V2 (does not include cable)	290 lb	\$5,400.00
193389	RailBoss 100 ARA-A gauge assembly V2 (does not include cable)	300 lb	\$5,400.00
188013	RailBoss 100 ARA-A gauge assembly V2 (does not include cable)	320 lb	\$5,400.00
162517	RailBoss 115 lb gauge assembly V2 (does not include cable)	320 lb	\$5,400.00
164754	RailBoss 132 lb gauge assembly V2 (does not include cable)	350 lb	\$5,400.00
194677	RailBoss 133 AREA gauge assembly V2 (does not include cable)	370 lb	\$5,400.00
169761	RailBoss 136 AREA gauge assembly V2 (does not include cable)	390 lb	\$5,400.00

NOTE: Instrumentation with RailBoss software must be ordered separately and is not included with the RailBoss assembly kit

### Standard Features

- 80,000 lb axle capacity
- 320,000 lb full scale capacity
- 40,000 lb rail section capacity
- 90 RA, 100 ARA-A, 115 RE, 132 RE, 133 RE or 136 RE rail sections
- 5 ft 10 in rail sections, pre-drilled for joint bars
- Quick-disconnect cable connection with MS style connector

### Full Draft Package Includes

- (8) 5 ft 10 in rail sections
- 30 ft of connecting cable per rail section
- Pre-drilled joint bars with connection hardware
- (2) Rice Lake junction boxes with transient protection
- 30 ft of homerun cable

### Double Draft Package Includes

- (4) 5 ft 10 in rail sections
- 30 ft of connecting cable per rail section
- Pre-drilled joint bars with connection hardware
- (1) Rice Lake junction box with transient protection
- 30 ft of homerun cable

### Optional Features

- Custom rail sizes are available
- 1280 Enterprise™ Series indicator with RailBoss software for full-draft or double-draft applications\*
- 920i® indicator with RailBoss software for full-draft or double-draft applications\*
- Custom cable lengths

\*Non-Legal for Trade

### Calibration Unit

#### Standard Features

- 482 Legend Series indicator
- Attachment hardware for 90 RA, 115RE and 132RE rail

### Specifications

#### Load Cells:

40,000 lb

#### Accuracy:

= 0.25% error typical, interchangeable with other gauged rail products

#### Full Scale Output:

0.8 mV/V ± 0.2%

#### Input Resistance:

765 ± 5 ohm

#### Output Resistance:

700 ± 5 ohm

#### Full Scale Capacity:

320,000 lb

#### Axle Capacity:

80,000 lb

#### Warranty:

Two-year limited

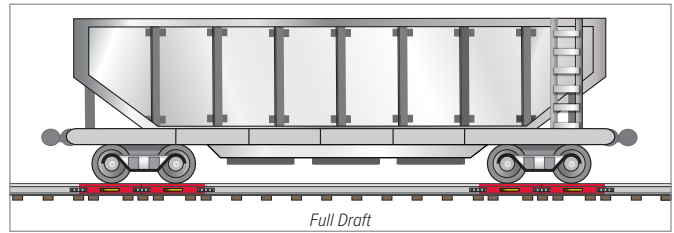
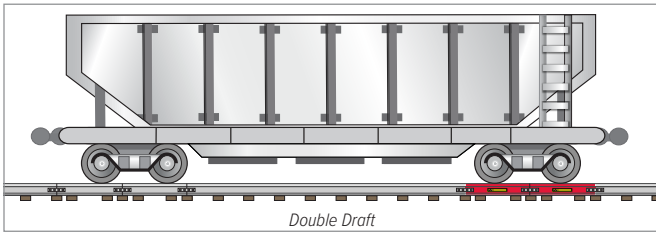
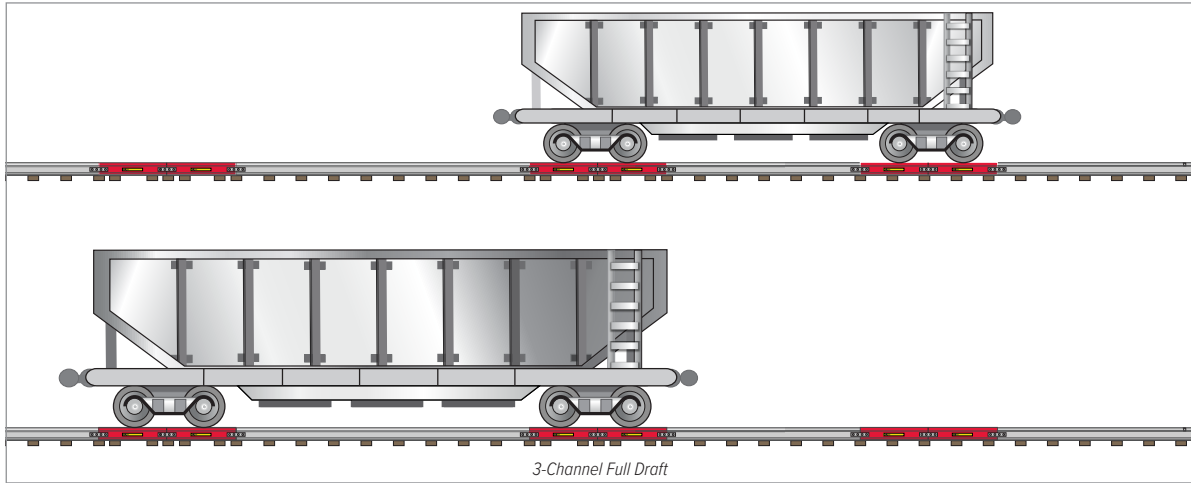
#### Intrinsic Safety:

cFus  
Class I, II, III, Division 1, Groups ABCDEFG  
T4

## Part Number/Price

Part #	Description	Est. Weight	Price
<b>Instrumentation</b>			
119073	Single-channel 920i® indicator double draft with RailBoss software	10 lb	\$2,650.00
119072	Dual-channel 920i® indicator full draft with RailBoss software	10 lb	\$2,750.00
126304	Three-channel 920i® indicator full draft with RailBoss software	10 lb	\$2,825.00
190949	Single-channel 1280 indicator double draft with RailBoss software	11 lb	\$3,450.00
190951	Dual-channel 1280 indicator full draft with RailBoss software	11 lb	\$3,725.00
190952	Three-channel 1280 indicator full draft with RailBoss software	11 lb	\$4,075.00
<b>Hardware</b>			
126391	90 RA 24 in short toe joint bar set, 4 sets required (2 bars with bolts and nuts)	40 lb	\$1,350.00
129620	100 RE short toe joint bar set, 4 sets required (2 bars with bolts and nuts)	58 lb	\$1,225.00
193468	100 ARA-A short tow joint bar set, 4 sets required (2 bars with bolts and nuts)	45 lb	\$1,225.00
126389	115 RE 24 in short toe joint bar set, 4 sets required (2 bars with bolts and nuts)	50 lb	\$1,050.00
126390	132 RE 24 in short toe joint bar set, 4 sets required (2 bars with bolts and nuts)	60 lb	\$1,225.00
194674	133 AREA short tow joint bar set, 4 sets required (2 bars with bolts and nuts)	70 lb	\$1,225.00
126390	136 AREA short tow joint bar set, 4 sets required (2 bars with bolts and nuts)	80 lb	\$1,225.00
126111	90 RA isolation joint bar set, 4 sets required (2 bars with bolts and nuts)	40 lb	\$1,225.00
112702	115 RE isolation joint bar set, 4 sets required (2 bars with bolts and nuts)	50 lb	\$1,225.00
119771	132 RE isolation joint bar set, 4 sets required (2 bars with bolts and nuts)	60 lb	\$1,225.00
194673	133 AREA isolation joint bar set, 4 sets required (2 bars with bolts and nuts)	70 lb	\$1,225.00
194344	136 AREA isolation joint bar set, 4 sets required (2 bars with bolts and nuts)	80 lb	\$1,225.00
198086	100RA isolation joint bar set, 4 sets required (2 bars with bolts and nuts)	-	\$1,225.00
163004	30 ft interface cable	-	\$625.00
164873	60 ft interface cable	-	\$775.00
164874	100 ft interface cable	-	\$1,050.00
188909	Adapter cable from AWT Weighline to Rice Lake RailBoss	-	\$650.00
<b>Calibration Equipment</b>			
115564	RailBoss calibration/test unit	300 lb	\$12,900.00
119068	Railboss calibration/test until rental	300 lb	\$700.00
208171	Coupler, flush face, no drip for Enerpac FR400 pump	-	\$425.00

NOTE: Instrumentation with RailBoss software must be ordered separately and is not included with the RailBoss assembly kit



VEHICLE SCALES

02:41 PM 01/25/2017

**FULL DRAFT** Change Rail Car

Scale 1      Scale 2

5000 lb      7500 lb

Press Capture Button

12500 lb Gross  
0 lb Tare  
12500 lb Net

Capture

Return to Weigh Screen

Full-draft RailBoss software display with a 1280 indicator

01/03/2018 11:32AM SCALE #1

Scale #1      Scale #2

100050      97000

197050 lb Gross

Rail Truck #1: 100050 lb      98000 lb Tare

Rail Truck #2: 97000 lb      99050 lb Net

Ticket Printed - Exit Scale

Double Draft      Reprint

Double-draft RailBoss software display with a 920i indicator



# RoughDeck® AX

Tandem Axle Scale



## Standard Features

- System includes two platforms with anchor brackets and four on/off ramps with anchor tabs (anchor bolts not included)

### Scale

- (L x W x H): 84 x 32 x 6 in
- Axle capacity - tandem platforms - 60,000 lb (two scales 30,000 lb each)
- Includes (2) 3/4-10 NC eye bolts for lifting scale during installation
- Contains four environmentally sealed, IP67 20,000 lb single-ended shear beam load cells per platform
- Treaded top plate with side access junction box
- JB4SS TuffSeal® signal trim junction box
- Top access foot adjustment holes
- Carbon steel captured ball feet
- 20 ft SURVIVOR® EL147HE cable
- Non-Legal for Trade

### Ramps

- (L x W x H) 60 x 32 x 6 in
- Treaded top plate

## Specifications

### End Loading Capacity:

133% full scale at 30,000 lb

### Warranty:

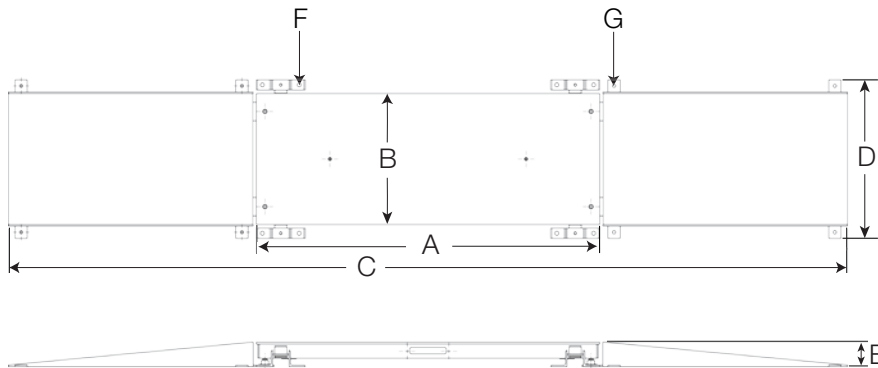
Load cells: Two-years

All other components: One-year limited

## Part Number/Price

Part #	Description	Dimensions (L x W x H)	Est. Weight	Price
107637	60,000 lb (30,000 lb each)	84 x 32 x 6 in	3,600 lb	\$16,500.00

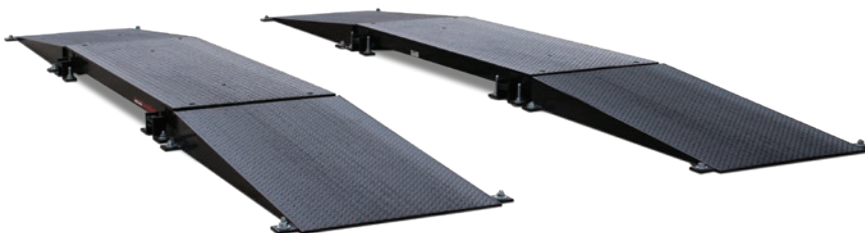
VEHICLE SCALES



## Dimensions

RoughDeck AX	
A	84.00 in
B	32.00 in
C	205.50 in
D	38.75 in
E	6.00 in
F	1.00 in
G	0.75 in

Note: 1 in = 25.4 mm







## Standard Features

- System includes two platforms and four on/off ramps (anchor bolts not included)

### Scale

- Sizes: 7 ft, 12 ft and 14 ft lengths
- Construction: Steel or aluminum
- Axle capacity - tandem platforms - 60,000 or 80,000 lb (30,000 or 40,000 lb each)
- Includes (4) 5/8-11 NC eye bolts for lifting scale during installation
- Contains two load cells per platform
- Treaded top plate with four lifting eyes
- JB4SS TuffSeal® signal trim junction box
- 10 ft EL146HE Interconnect cable with MS-type connectors to go between weigh pads
- 50 ft EL147HE cable to connect weigh pad to indicator
- Non-Legal for Trade

### Ramps

- Ramps: (L × W) 7 ft and 12 ft scales - 5.63 × 32.00 in, 14 ft scale - 5.75 × 32.00 in
- Steel or aluminum

## Specifications

### Construction:

Steel or aluminum

### Accuracy:

±3%

### End Loading Capacity:

133% full scale at 30,000 lb  
100% full scale at 40,000 lb

### Warranty:

One-year limited

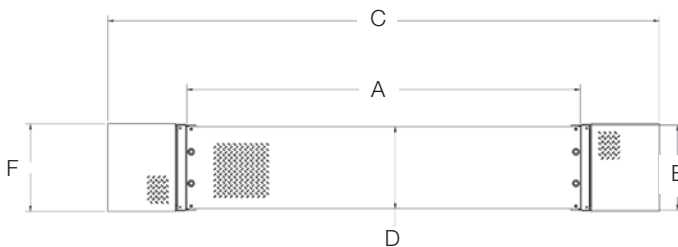
## Dimensions

AX3040			
7 ft steel			
A	83.60 in	E	31.00 in
B	90.90 in	F	32.00 in
C	141.25 in	G	5.63 in
D	30.00 in		
12 ft steel			
A	143.60 in	E	31.00 in
B	150.90 in	F	32.00 in
C	201.2 in	G	5.63 in
D	30.00 in		
14 ft steel			
A	167.60 in	E	31.00 in
B	174.90 in	F	32.00 in
C	225.25 in	G	5.75 in
D	30.00 in		
7 ft aluminum			
A	83.60 in	E	31.00 in
B	90.90 in	F	32.00 in
C	141.25 in	G	5.63 in
D	30.00 in		

Note: 1 in = 25.4 mm

## Part Number/Price

Part #	Description	Dimensions (L × W × H)	Est. Weight	Price
<b>Steel Construction - Painted Black 2 Scales with 4 Ramps and Connecting Cables</b>				
112330	60,000 lb (30,000 lb each)	7 ft × 2.5 ft × 5.63 in	2,500 lb	\$14,850.00
111748	80,000 lb (40,000 lb each)	12 ft × 2.5 ft × 5.63 in	4,400 lb	\$17,580.00
112328	80,000 lb (40,000 lb each)	14 ft × 2.5 ft × 5.75 in	5,200 lb	\$23,325.00
<b>Steel Construction - Painted Black without Ramps</b>				
204097	60,000 lb (30,000 lb each)	7 ft × 2.5 ft × 5.63 in	2,500 lb	Consult
204099	80,000 lb (40,000 lb each)	12 ft × 2.5 ft × 5.63 in	4,400 lb	Consult
204100	80,000 lb (40,000 lb each)	14 ft × 2.5 ft × 5.75 in	5,200 lb	Consult
<b>Aluminum Construction - Glass Beaded 2 Scales with 4 Ramps and Connecting Cables</b>				
112329	60,000 lb (30,000 lb each)	7 ft × 2.5 ft × 5.63 in	1,250 lb	\$17,485.00
<b>Aluminum Construction - Glass Beaded without Ramps</b>				
204101	60,000 lb (30,000 lb each)	7 ft × 2.5 ft × 5.63 in	1,250 lb	Consult
<b>Ramps with Hardware (Qty. 2)</b>				
204102	Painted			Consult
204103	Aluminum			Consult



# RoughDeck® AX-1

Axle Scale



## Standard Features

- Sizes: 7.5 ft, 9.5 ft or 11.5 ft lengths
- Capacity: 50,000 lb
- Includes (2) 1-8 NC eye bolts
- Contains four environmentally sealed, IP67, 20,000 lb single-ended load cells
- Treaded top plate
- JB4SS TuffSeal® signal trim top access junction box
- Top access foot adjustment holes
- Carbon steel captured ball feet
- 20 ft SURVIVOR® EL147HE cable
- Non-Legal for Trade

## Options:

- Ramps: 10 × 4 ft, treaded top plate
- Scale frame

## Specifications

**End Loading Capacity:**  
80% full scale at 50,000 lb

### Warranty:

Load cells: Two-years  
All other components:  
One-year limited

## Part Number/Price

Part #	Dimensions (L × W × H)	Capacity	Est. Weight	Price
<b>Scale only</b>				
169649	7.5 ft × 9.6 ft × 6.0 in	50,000 lb	3,350 lb	\$16,550.00
169650	9.5 ft × 9.6 ft × 6.0 in	50,000 lb	4,150 lb	\$18,630.00
169651	11.5 ft × 9.6 ft × 6.0 in	50,000 lb	5,500 lb	\$20,700.00
<b>Scale, bundled with scale frame</b>				
169645	8.0 ft × 10.1 ft × 6.75 in	50,000 lb	4,350 lb	\$19,035.00
169647	10.0 ft × 10.1 ft × 6.75 in	50,000 lb	5,400 lb	\$21,580.00
169648	12.0 ft × 10.1 ft × 6.75 in	50,000 lb	7,000 lb	\$25,610.00

## Options/Accessories

Part #	Dimensions (L × W × H)	Est. Weight	Price
<b>Scale frame only</b>			
169652	8.0 ft × 10.1 ft × 6.75 in	1,000 lb	\$2,900.00
169653	10.0 ft × 10.1 ft × 6.75 in	1,250 lb	\$3,365.00
169654	12.0 ft × 10.1 ft × 6.75 in	1,500 lb	\$5,325.00
<b>Ramp, attaches to scale frame</b>			
169655	10 × 4 ft, single ramp	1,600 lb	\$3,375.00
169656	10 × 4 ft, ramp set	3,200 lb	\$6,750.00
<b>Ramp, attaches to scale</b>			
169657 *	10 × 4 ft, single ramp	1,675 lb	\$3,375.00
169658	10 × 4 ft, ramp set	3,350 lb	\$6,750.00

\*Consult factory for quote on riser plate for opposite end of scale.

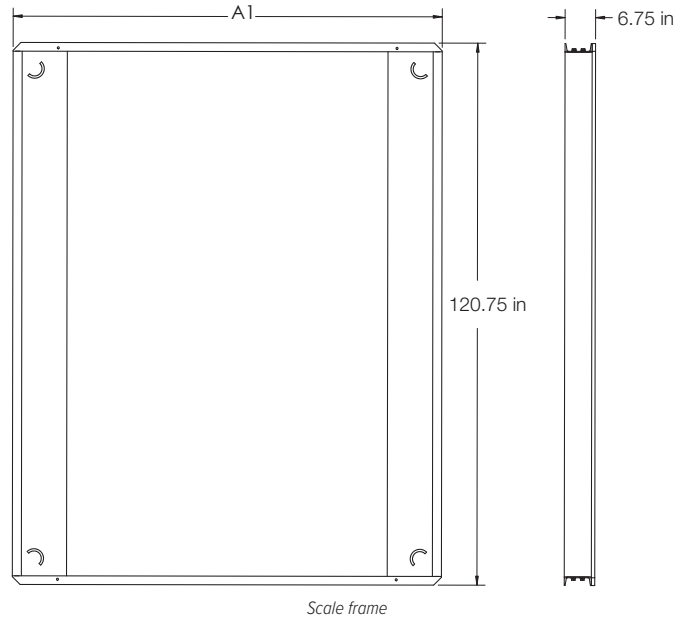
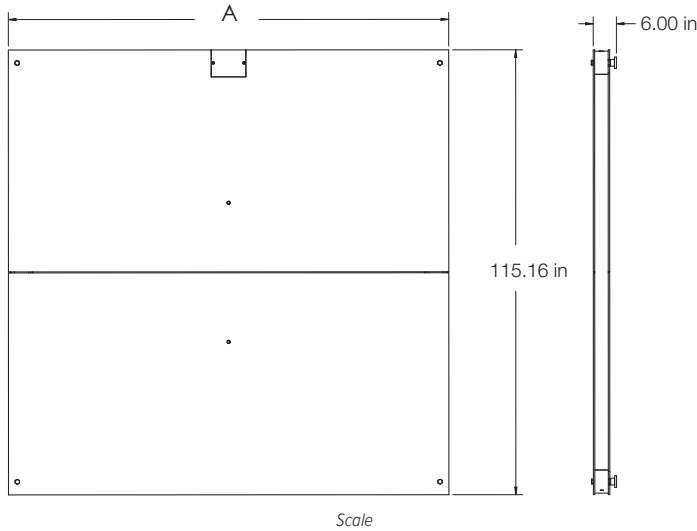


Scale shown with optional ramps

VEHICLE SCALES

# RoughDeck® AX-1

Axle Scale



## Dimensions

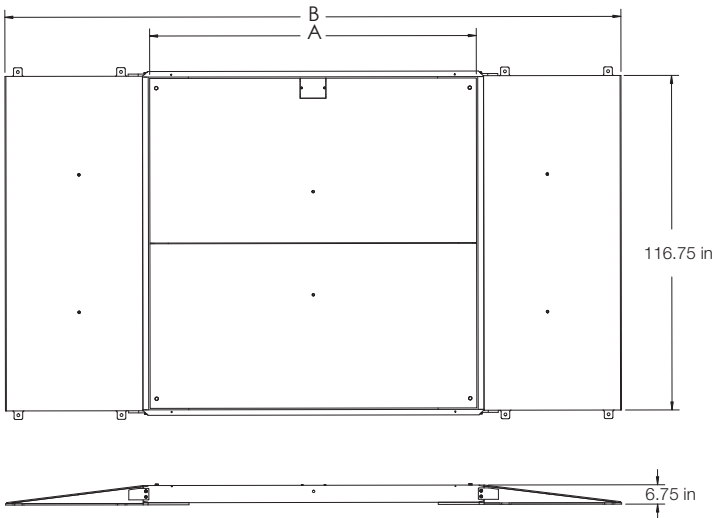
RoughDeck AX-1	
PN 169649	
A	90.00 in
PN 169650	
A	114.00 in
PN 169651	
A	138.00 in

Note: 1 in = 25.4 mm

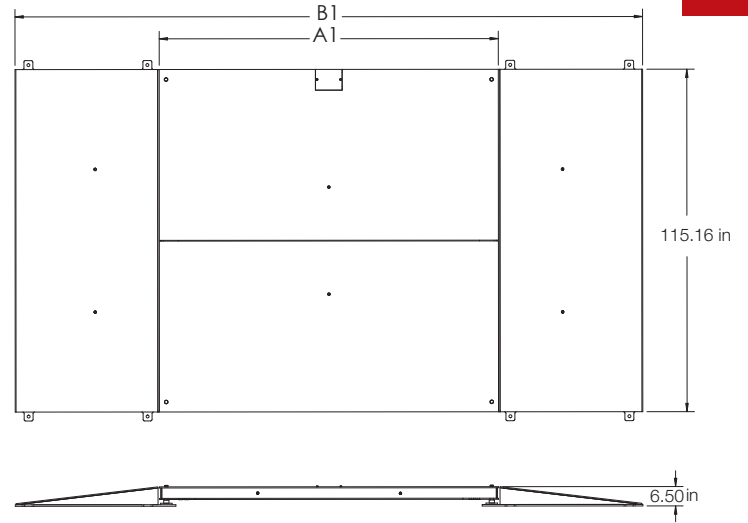
PN 169652	
A1	95.75 in
PN 169653	
A1	119.75 in
PN 169654	
A1	143.75 in

Note: 1 in = 25.4 mm

VEHICLE SCALES



Scale in scale frame with ramps



Scale with ramps

PN 169645			
A	90.00 in	B	191.75 in
PN 169647			
A	114.00 in	B	215.75 in
PN 169648			
A	138.00 in	B	239.75 in

Note: 1 in = 25.4 mm

PN 169649			
A1	90.00 in	B1	187.00 in
PN 169650			
A1	114.00 in	B1	211.00 in
PN 169651			
A1	138.00 in	B1	235.00 in

Note: 1 in = 25.4 mm

# Load Ranger

Wireless Wheel Pad Scale



## Part Number/Price

Part #	Description	Est. Weight	Price
212108	Remote indicator with integrated printer in carrying case	15 lb	\$2,200.00

Part #	Size (W × L × H), Capacity	Est. Weight	Price
<b>RF-MD 2.4 GHz</b>			
212096	1 ft 10 in × 1 ft 8 in × 2.28 in, 3,300 × 1 lb	40 lb	\$2,295.00
212097	1 ft 10 in × 1 ft 8 in × 2.28 in, 6,600 × 2 lb	40 lb	\$2,295.00
212098	1 ft 10 in × 1 ft 8 in × 2.28 in, 13,200 × 5 lb	40 lb	\$2,295.00
212099	1 ft 10 in × 1 ft 8 in × 2.28 in, 22,000 × 10 lb	40 lb	\$2,495.00
212100	1 ft 10 in × 1 ft 8 in × 2.28 in, 33,000 × 10 lb	40 lb	\$2,495.00
<b>RF-WD 2.4 GHz</b>			
212101	2 ft 6 in × 1 ft 10 in × 2.28 in, 13,200 × 5 lb	65 lb	\$2,875.00
212102	2 ft 6 in × 1 ft 10 in × 2.28 in, 22,000 × 10 lb	65 lb	\$2,875.00
212103	2 ft 6 in × 1 ft 10 in × 2.28 in, 33,000 × 10 lb	65 lb	\$2,875.00
212835	2 ft 6 in × 1 ft 10 in × 2.28 in, 22,000 × 20 lb (NTEP Class III)	65 lb	\$3,520.00
<b>RF-XWD 2.4 GHz</b>			
212104	3 ft 1 in × 2 ft × 2.28 in, 13,200 × 5 lb	105 lb	\$3,520.00
212105	3 ft 1 in × 2 ft × 2.28 in, 22,000 × 10 lb	105 lb	\$3,520.00
212106	3 ft 1 in × 2 ft × 2.28 in, 33,000 × 10 lb	105 lb	\$3,520.00
212107	3 ft 1 in × 2 ft × 2.28 in, 44,000 × 20 lb	105 lb	\$3,520.00

## Options/Accessories

Part #	Description	Price
190916	RS-485 cable used to connect wheel pad directly to indicator	\$195.00
188744	RS-485 cable, 10 m, used in a 7 pad or more hybrid-wireless system to join two pads together (for use with Bluetooth versions of Load Ranger pads only)	\$195.00
181881	Aluminum ramp for Load Ranger MD models (single ramp only)	\$280.00
181882	Aluminum ramp for Load Ranger WD models (single ramp only)	\$310.00
181883	Aluminum ramp for Load Ranger XWD models (single ramp only)	\$340.00
182053	Printer paper roll, 57 mm x 30 mm, 12 mm core 51 mm OD	\$3.00
185064	Load Ranger wheel pad charger, 110 VAC version with US plug	\$110.00
192591	Load Ranger Ai-1 remote indicator power adapter, 120-230 VAC version with US plug	\$95.00
212110	Load Ranger wheel pad 2.4 GHz radio upgrade kit	\$550.00
212111	Load Ranger Ai-1 remote indicator 2.4 GHz radio upgrade kit	\$550.00

Note: Bluetooth models are discontinued, 2.4 GHz models are not compatible with discontinued Bluetooth models without upgrade kits.

## Standard Features

- Up to 16 individual pads communicate wireless to the indicator
- Industrial RF radio module to communicate with optional indicator
- Integrated wheels and nonslip rubber under platform
- Internal rechargeable battery with 40 hours of battery life
- Built-in indicator on each scale with 1 in character display
- IP67 rating
- Cover plate protects built-in indicator

## Optional Remote indicator with integrated Printer in Carrying Case

- ABS carrying case: 1 ft × 1 ft 6 in × 7 in
- Backlit graphic display with touchscreen technology
- Internal battery with 10 hours of battery life
- Real-time clock
- Permanent data storage
- Direct thermal receipt printer

## Wheel Weighing Software

- Multi-scale function mode weighs with up to 16 individual pads (eight sets)
- Static axle weighing function, up to two channels
- Calculation of center of gravity
- Semi-automatic and preset tare
- Selection of displayed data on LCD touchscreen
- 1,000 field database
- Print and display list of last 3,500 vehicles

## Options/Accessories

- Leveling modules
- Aluminum ramps
- NTEP Class III (*Select sizes and capacities only, consult factory for more information*)

## Specifications

### Construction:

Aluminum alloy

### Display:

1 in character display on each scale

### System Accuracy:

0.05% of rated capacity

### Power Supply:

Rechargeable battery  
Approximately 40 hours of battery life.  
Includes UL approved AC wall adapter

### Communication:

Wireless 2.4 GHz

### Power Supply:

Rechargeable battery  
Approximately 40 hours of battery life.  
Includes UL approved AC wall adapter

### Temperature:

Operating:  
14 °F to 104 °F (-10 °C to 40 °C)  
Storage Temperature:  
-4 °F to 140 °F (-20 °C to 60 °C)

### Effective Wireless Communication Range:

Up to 160 ft (50 m) line of sight typical

### Warranty:

Two-year limited

### Approvals:

NTEP 20-003P Class III

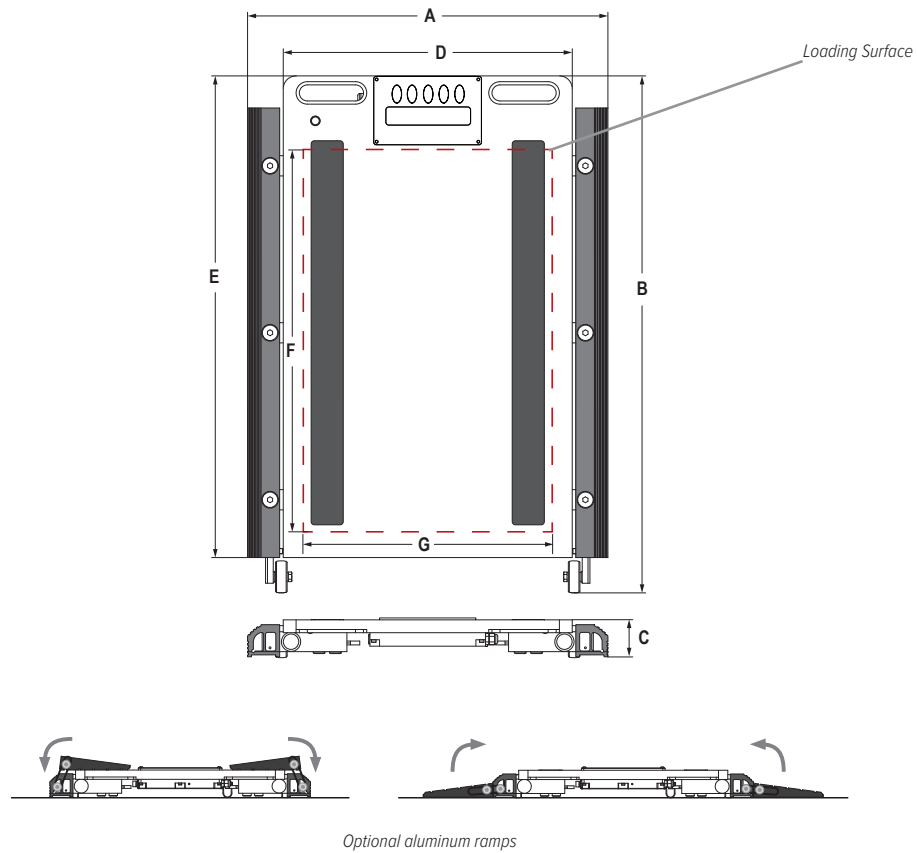


NTEP Class III approved for law enforcement.

## Dimensions

Platform			
	RF-MD	RF-WD	RF-XWD
A	1 ft 8 in (511 mm)	1 ft 10 in (564 mm)	2 ft (611 mm)
B	2 ft (611 mm)	2 ft 8 in (813 mm)	3 ft 3 in (991 mm)
C	2.28 in (58 mm)	2.28 in (58 mm)	2.28 in (58 mm)
D	1 ft 4 in (406 mm)	1 ft 6 in (457 mm)	1 ft 8 in (511 mm)
E	1 ft 10 in (564 mm)	2 ft 6 in (750 mm)	3 ft 1 in (950 mm)

Loading Surface			
	RF-MD	RF-WD	RF-XWD
F	1 ft 3 in (381 mm)	1 ft 11 in (584 mm)	2 ft 5 in (737 mm)
G	1 ft 4 in (406 mm)	1 ft 6 in (457 mm)	1 ft 8 in (511 mm)





# Load Ranger Cart

Transport Cart



## Standard Features

- Can hold up to six or eight Load Ranger wheel pads (with or without optional ramps) and one Load Ranger remote indicator case
- Two swivel, locking casters and two rigid casters to insure the safety of the scales during transit
- Painted mild steel
- Bottom surface, heavy duty plastic to offer scratch resistance for Load Rangers
- Integrated forklift channels
- Cam latch closures
- AC power strip, US plug

## Specifications

### Warranty:

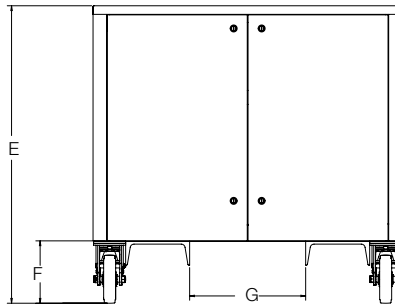
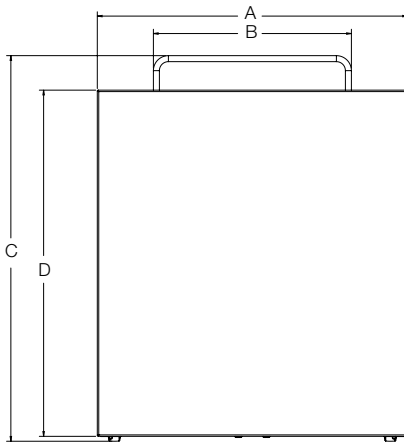
One-year limited

## Part Number/Price

Part #	Description	Price
203078	Load Ranger transport cart for up to 6 Load Ranger wheel pads	\$4,195.00
221488	Load Ranger transport cart for up to 8 Load Ranger wheel pads	\$5,595.00

## Dimensions

Load Ranger Cart, 6 Bay / 8 Bay			
A	40.80 in (1,036 mm) / 50.30 in (1,278 mm)	E	37.17 in (944 mm) / 37.17 in (944 mm)
B	24.75 in (629 mm) / 24.75 in (629 mm)	F	7.80 in (198 mm) / 7.80 in (198 mm)
C	47.87 in (1,216 mm) / 47.87 in (1,216 mm)	G	16.25 in (413 mm) / 25.75 in (654 mm)
D	43.50 in (1,105 mm) / 43.50 in (1,105 mm)		



VEHICLE SCALES



# Tools for Excellence

## Resources for Sales and Technician Training

Rice Lake has an extensive library of resources designed to assist you with customer sales and technician training. Find all materials on [www.ricelake.com](http://www.ricelake.com) under the Resources menu or the Knowledge Center at the top of the page.

### Articles

The latest product, industry and application overview articles are available to help newer technicians and salespeople understand scale basics. They can also help you explain benefits to customers just beginning their search for a measurement system.



### Videos

We create informational, technical and product sales videos to support all your business efforts. Our ScaleTalk video series covers common industry questions and troubleshooting tips to help newer technicians grow their skills.



### ScaleTools

Quickly access a weight conversion app, load cell wiring guide, microVoltage graduation app, Class III tolerance app and our livestock shrink calculator anytime you're on [ricelake.com](http://ricelake.com). Save these apps to your device so you can easily use them while you're in the field.



### Sales Literature

We provide sales literature for our extensive product offering to help you discuss our products with your customers and quickly compare solutions. Literature pieces can be downloaded from our website to easily share via email or you can request to have physical copies sent to you for prospective customers.



### Application Stories

Application stories and case studies demonstrate how Rice Lake equipment is used in industries and environments around the globe. These resources provide technical information and advice for anyone new to the industry or looking for a similar system.



You Call  
We Answer



**EVERY TIME**

Call us anytime, day or night, to speak with a knowledgeable team member. Rice Lake always has a team on call to answer questions or provide technical support, even on holidays when our office is closed.

**When you need support, rely on Rice Lake.  
We look forward to answering the call.**

---

**Emergency Contact Information**

Call 800-472-6703 and press 1 to reach on-call personnel outside of our normal business hours.

**Extended Business Hours**

Monday through Friday from 6:30 a.m. to 6:30 p.m.  
Saturday from 8:00 a.m. to 12:00 p.m. Central Time



**CORPORATE OFFICE**

230 W. Coleman Street, Rice Lake, WI 54868 USA  
USA: 800-472-6703 | Direct: 715-234-9171 | Fax: 715-234-6967  
Canada and Mexico: +1-800-321-6703 | Europe: +39 0536 843418  
China: +86 21 66314055 | International Direct: +1-715-234-9171