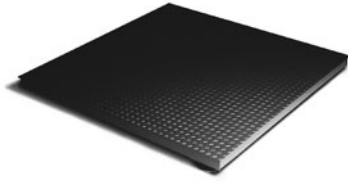


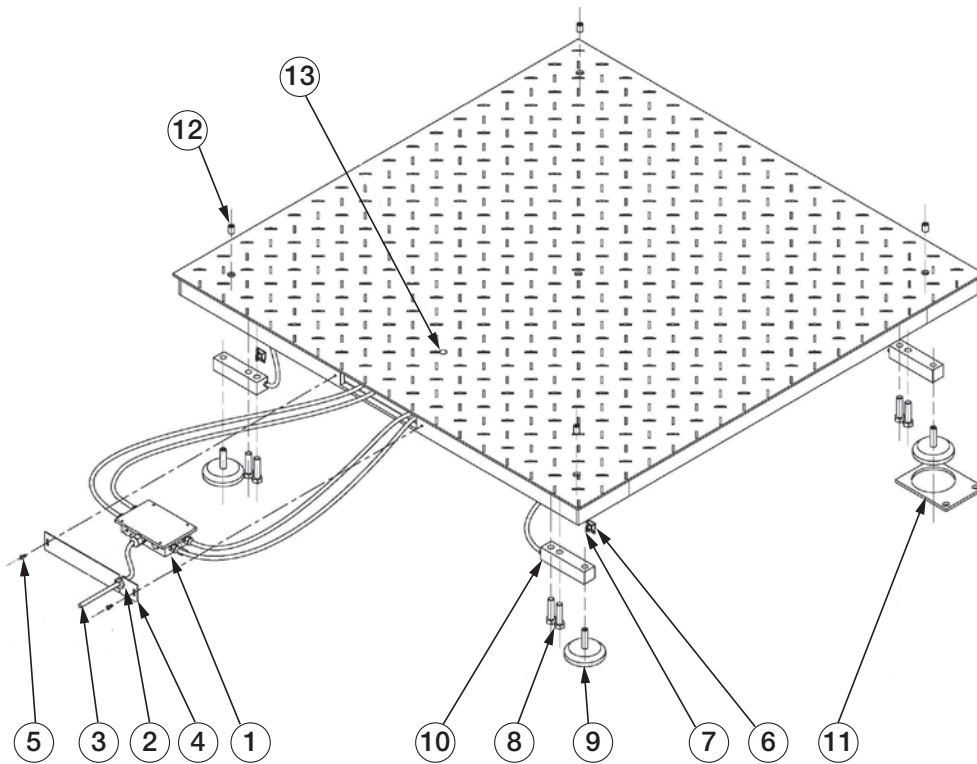
RoughDeck® HP, HP-H and HC



Part Number/Price

Ref#	Part#	Description	Price
1	88956	Junction box, NEMA Type 4X, 4 channel, signal trim	Consult
1	91895	Cable assembly, 17 in female quick connector (for scales with quick connector)	Consult
2	66454	Strain relief fitting	Consult
3	15611	Cable, 6-wire, 20 ft (blunt ends)	Consult
3	53640	Cable assembly, 20 ft with male quick connector (for scales with quick connector)	Consult
4	92437	Junction box face plate	Consult
5	14877	Junction box face plate screw	Consult
6	15658	Cable tie mount, 1 in square	Consult
7	15631	Cable ties, 3 in	Consult
8	15071	Load cell screw (HP/HC models)	Consult
8	40337	Load cell screw (HP-H models)	Consult
9	18756	Foot assembly (HP/HC models), 1/2-20NF x 3.47	Consult
9	39021	Foot assembly (20 k HP-H models)	Consult
9	39022	Foot assembly (30 k HP-H models)	Consult
10	189152	Load cell, RL32018-1000 lb (1,000 lb/500 kg & 2,000 lb/1,000 kg scale)	Consult
10	189154	Load cell, RL32018-2500 lb (5,000 lb/2,500 kg scale)	Consult
10	189156	Load cell, RL32018-4000 lb (10,000 lb/5,000 kg scale)	Consult
10	189159	Load cell, RL32018-10,000 lb (20,000 lb & 30,000 lb scales)	Consult
11	18777	Mounting plate, HP and HC models, set of two plates	Consult
11	40387	Mounting plate, 20 k HP-H models, set of two plates	Consult
11	40388	Mounting plate, 30 k HP-H models, set of two plates	Consult
12	15051	Overload stops (HC models)	Consult
13	15410	Bubble level (HC models)	Consult
—	14957	Top access screws, HP models	Consult
—	15022	Top access screws, HP-H models	Consult

(See Diagram RoughDeck HP-B)
 HC scales are Measurement Canada approved



RoughDeck HP-B