



Picture is a representation of actual product.

Approvals



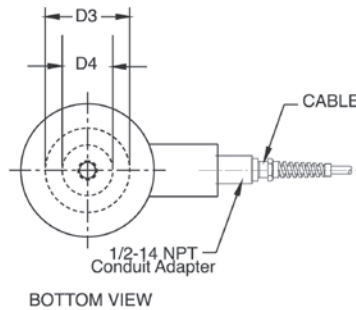
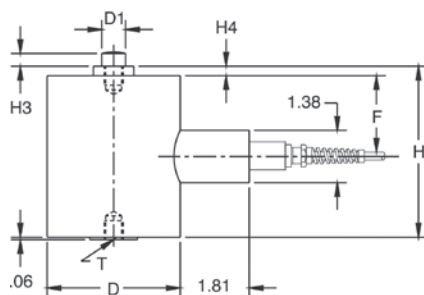
Order Information

Load Rating	Part #	Est. Weight	Price
500 lb	17672	10 lb	Consult
1,000 lb	17673	10 lb	Consult
2,000 lb	17674	10 lb	Consult
3,000 lb	17675	10 lb	Consult
5,000 lb	17676	15 lb	Consult
10,000 lb	17677	15 lb	Consult

Dimensions

Rated Capacity	D	D1	D3	D4	F	H	H3	H4	L	T
lb/in										
500 to 3,000	3.50	0.62	1.25	—	2.25	4.56	0.38	0.25	—	1/2-20 UNF × 0.50 DP
5,000 to 10,000	3.50	1.06	2.50	1.75	2.66	5.94	0.62	0.38	0.50	1-14 UNS × 1.25 DP

HOLES CAN BE DRILLED WITHIN THIS AREA TO RECEIVE LOCKING SCREWS. MAX. DEPTH OF HOLES IS "L" DIM.



Interchangeable Products

- FAIRBANKS®
3-38054-X
- METTLER TOLEDO®
1004400A, KN713700
- METTLER TOLEDO
KB200570, 10049100A

Specifications

- Full Scale Output:**
3.0 mV/V
- Output Resistance:**
350 (± 3.5) ohm
- Input Resistance:**
350 (± 3.5) ohm
- Material/Finish:**
High-alloy steel, epoxy coated
- Temperature:**
Operating range
0 °F to 150 °F (-18 °C to 65 °C)
- Seal Type:**
NEMA Type 6 Environmentally sealed, IP67
- Safe Overload:**
150% full scale
- Rated Excitation:**
5 to 10 VDC (20 V maximum)
- Nonlinearity:**
0.05% full scale
- Hysteresis:**
500 lb: 0.05% full scale
1,000 to 10,000 lb: 0.02% full scale
- Insulation Resistance:**
5,000 megohm
- Deflection at Capacity:**
500 lb: 0.007 in
1,000 lb: 0.006 in
2,000 lb: 0.005 in
3,000 lb: 0.005 in
5,000 lb: 0.007 in
10,000 lb: 0.005 in
- Cable Length:**
35 ft
- Cable Color Code:**
Green +Excitation
Black -Excitation
White +Signal
Red -Signal
Yellow Shield
- Warranty:**
Three-year limited
- Approvals:**
FM

