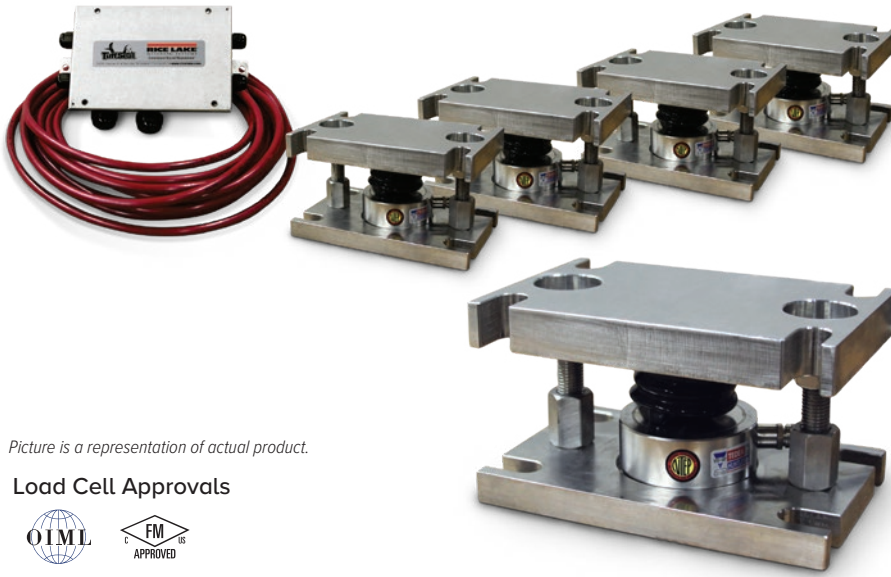


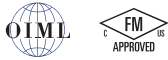
220 Universal Mount

Stainless Steel Weigh Modules, VPG Tedeo-Huntleigh



Picture is a representation of actual product.

Load Cell Approvals



Complete Kit Includes

- Three or four 220 stainless steel compression mounts with 220 stainless steel hermetically sealed compression disk load cells
- One JB4SS NEMA Type 4X stainless steel signal trim junction box
- 25 ft of hostile environment EL147HE SURVIVOR® load cell cable

Standard Features

- Capacities (per module): 5,000 to 30,000 kg
- mV/V/ohm calibrated load cells eliminates the need for trimming
- Stainless steel construction
- Easy load cell replacement
- Integral jacking/shipping bolts

Applications

- Medium- to high-capacity tanks, bins and hoppers
- Washdown applications
- Process control and batch weighing

Order Information

Load Rating (Per Module)	Part #	Price
3-Module Kit (Includes Load Cell)		
5,000 kg	66208	Consult
10,000 kg	66209	Consult
20,000 kg	66210	Consult
30,000 kg	66211	Consult
4-Module Kit (Includes Load Cell)		
5,000 kg	66212	Consult
10,000 kg	66213	Consult
20,000 kg	66214	Consult
30,000 kg	66215	Consult

Replacement Mount Parts

Load Rating (Per Module)	Part #	Price
Saddle 5 t to 10 t	170879	Consult
Rolling cylinder 5 t to 10 t	170882	Consult
Load adapter 5 t	170880	Consult
Load adapter 10 t	170881	Consult
Rubber boot 5 t to 10 t	171211	Consult
Saddle 20 t to 30 t	170884	Consult
Rolling cylinder 20 t to 30 t	170885	Consult
Load adapter 20 t to 30 t	170883	Consult
Rubber boot 20 t to 30 t	171212	Consult

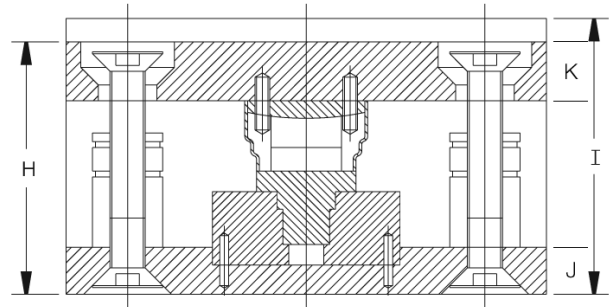
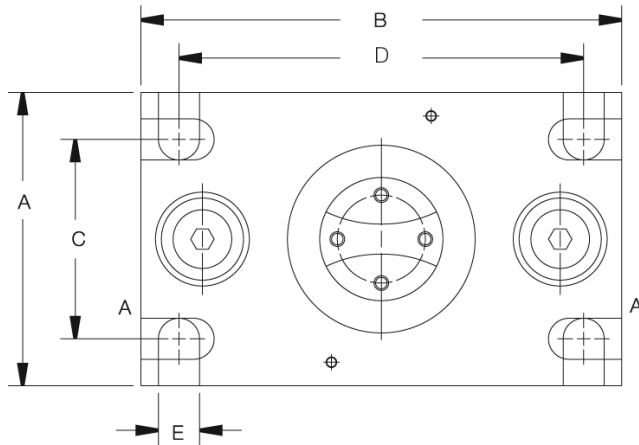
WEIGH MODULES

220 Universal Mount

Stainless Steel Weigh Modules, VPG Tedea-Huntleigh

Dimensions

Rated Capacity kg/mm	A	B	C	D	E	H	I	J	K
5,000 to 10,000	127.0	203.0	90.0	170.0	18.0	107.0	Load Cell Replacement Height: 118.0 Operating Height: 107.0	19.1	25.4
20,000 to 30,000	152.0	245.0	115.0	208.0	24.0	148.0	Load Cell Replacement Height: 156.0 Operating Height: 148.1	31.8	25.4



WEIGH MODULES