

# Rice Lake Weighing Systems

## TABLE OF CONTENTS

### S-BEAMS

Page 106

#### RL20000I, ALLOY STEEL



Ideally suited for scale conversions and general-purpose weighing. Compact and rugged design. Capacities range from 25 lb to 20,000 lb. Models available with 30 ft and 35 ft of cable.



Page 107

#### RL20000SS, STAINLESS STEEL



For suspended applications or mechanical scale conversions, this model provides the additional protection of stainless steel necessary in dry, corrosive environments. Available in capacities ranging from 50 lb to 20,000 lb.



Page 108

#### RL20000ST, STAINLESS STEEL



Ideally suited for suspended applications or mechanical scale conversions. The stainless steel design provides additional protection in dry, corrosive environments. Constructed from stainless steel in capacities ranging from 5 lb to 10,000 lb. The extremely miniature envelope is suitable for a wide variety of weighing applications in tension or compression. Capacities available from 50 lb to 5,000 lb, each comes with 20 ft of polyurethane cable.



Page 109

#### RL20001I, ALLOY STEEL



Suited for scale conversions, tension applications and general-purpose weighing. Compact and rugged design. Capacities range from 250 lb to 20,000 lb. Complete with 20 ft of load cell cable.



Page 110

#### RL20001HE, STAINLESS STEEL



A full stainless steel, welded-seal, S-beam available in capacities ranging from 500 lb to 10,000 lb. This model is featured in our ITCM HE products, and is ideal for the harshest tension mounting applications. NTEP Certified in capacities ranging from 500 lb to 5,000 lb.



Page 111

#### RL20001HE, STAINLESS STEEL



Ideally suited for scale conversions and general-purpose weighing. OIML approved and metric envelope capacities ranging from 250 kg to 2,500 kg. Complete with 6 m of load cell cable.



### SINGLE-ENDED BEAMS

Page 112

#### RL32022, ALLOY STEEL



The RL32022 is a metric version of the RL32018 load cell. Constructed of alloy steel and OIML approved, this load cell's capacities range from 300 kg to 2,000 kg. It is sealed to IP67 standards and includes 5 m of cable.



RICE LAKE  
LOAD CELLS

# Rice Lake Weighing Systems

## SINGLE-ENDED BEAMS

Page 113

### RL32022S, STAINLESS STEEL



This stainless steel load cell is the metric version of the RL32018S. Sealed to IP67 standards, load cell capacities range from 300 kg to 5,000 kg. OIML approved and comes with 5 m of cable.



Page 114

### RL32018, ALLOY STEEL



An alloy steel single-ended beam cell offered from 250 lb to 20,000 lb. Each load cell has 20 ft of cable and is FM approved and NTEP Certified from 500 lb to 10,000 lb.



Page 115

### RL32018, ALLOY STEEL COATED



A coated alloy steel single-ended beam cell offered from 1,000 lb to 20,000 lb. Each load cell has 20 ft of cable and is FM approved and NTEP Certified from 1,000 lb to 10,000 lb. Ideal for fertilizer applications.



Page 116

### RL32018S, STAINLESS STEEL



Available in capacities from 250 lbs to 20,000 lbs. Sealed to IP66 standards, each cell includes 20 ft of cable and is FM approved. NTEP Certified from 500 lb to 10,000 lb.



Page 117

### RL32018S-P, STAINLESS STEEL



Sealed to IP69K, it has a 3 mV output and is FM approved. Available in capacities from 1,000 lb to 10,000 lb. Comes complete with 20 ft of PTFE cable.



Page 118

### RL32018S-HE, STAINLESS STEEL



A hermetically sealed, stainless steel single-ended beam load cell with 20 ft of PTFE jacketed cable for protection in harsh environments. Sealed to IP69K standards, this cell is 3 mV/V and NTEP Certified from 500 lb to 10,000 lb.



Page 119

### RL32019S-HE, STAINLESS STEEL



A stainless steel single-ended beam with 2 mV/V and 30 ft of PTFE jacketed cable. Hermetically sealed to IP69K for tough environments. Available from 1,000 lb to 10,000 lb.



Page 120

### RL32218S-HE, STAINLESS STEEL



Available in capacities from 1,000 lb to 10,000 lb, this model is hermetically sealed and comes complete with 20 ft of PTFE cable.



Page 121

### RL9018SS, STAINLESS STEEL



Hermetically sealed with an IP68/IP69K rating, this stainless steel, single-ended beam load cell has NTEP Certified for capacities from 5 kg to 500 kg. Comes with 3 m of cable.



# Rice Lake Weighing Systems

## SINGLE-ENDED BEAMS

Page 122

### RL30000I, ALLOY STEEL



This threaded hole, single-ended beam is designed for low-profile scales and process applications. NTEP Certified cells in capacities ranging from 1,000 lb to 10,000 lb. Non-NTEP Certified cells in 250 lb, 500 lb and 20,000 lb capacities. Complete with 20 ft of load cell cable.



Page 123

### RL30002, ALLOY STEEL



Single-ended beam designed for low-profile scales and process applications. NTEP Certified cells in capacities ranging from 1,000 lb to 5,000 lb SE. Complete with 20 ft of load cell cable.



Page 124

### RLH35, STAINLESS STEEL



Stainless steel construction and integral mounting foot as well as dimensional and electrical interchangeability with several load cell manufacturers. Available in a 500 lb capacity with 20 ft of load cell cable.



Page 125

### RL39123, STAINLESS STEEL



Single-ended beam in stainless steel. Designed for low-profile scales and process applications. Capacities range from 250 lb to 10,000 lb. Complete with 20 ft or 30 ft of load cell cable.



Page 126

### RL32018S-T, STAINLESS STEEL



Replacement for the RL30745 load cell used in RLTM weigh modules and for the Mettler Toledo Model 745. Complete with 15 ft or 30 ft cable. NTEP Certified and FM approved. Capacities available from 500 lb to 10,000 lb.



Page 127

### RL35023S, STAINLESS STEEL, COATED



A version of the RL35023S stainless steel load cell but with the added protection of a proprietary coating. This coating protects the load cell element in dry chemical applications that would normally cause standard stainless steel load cells to fail. Capacities available from 1,000 lb to 10,000 lb.



Page 128

### RLHTO, STAINLESS STEEL



Low profile, hermetic sealing and high accuracy makes the RLHTO suitable for low-profile platforms, pallet truck weighers, tanks and silos. Capacities available from 500 kg to 5,000 kg.



Page 129

### RLSSB, STAINLESS STEEL



Rugged and precise single-ended beam offers welded-seal protection and stainless steel construction. Designed for use in the most hostile environments. Applications include platform scales, materials testing and process weighing. Capacities range from 1,000 lb to 10,000 lb. Complete with 15 ft of load cell cable.



Page 130

### RLSB250/RLSB250T, STAINLESS STEEL



Interchangeable with Cardinal® SB2500. Stainless steel construction with welded seal. NTEP Certified capacity of 2,500 lb to 10,000 lb available. Comes complete with 15 ft or 20 ft of load cell cable.



RICE LAKE  
LOAD CELLS

# Rice Lake Weighing Systems

## SINGLE-ENDED BEAMS

Page 131

### RL50219SS, STAINLESS STEEL



A direct replacement for the RL50210SS stainless cantilever beam cell. It is an IP67 and comes with 20 ft of cable. Used in the RL50210SS-TA weigh modules in capacities from 25 lb to 500 lb.

Page 132

### RL50210, ALLOY STEEL



Designed for tension or compression loading applications. Capacities range from 25 lb to 500 lb. Complete with 20 ft of load cell cable.



Page 133

### RL60040SST, STAINLESS STEEL



Designed for tension or compression loading applications. Available in capacities 50 lb and 250 lb. Complete with 20 ft of load cell cable. Stainless steel construction.

Page 134

### RL40BBS, ALLOY STEEL



Designed for precision force and weight measurement. Capacities range from 50 lb to 2,500 lb. Complete with 10 ft of load cell cable.

Page 135

### RL32011WB-L, STAINLESS STEEL



A Legal for Trade link-style replacement for the Avery Weigh-Tronix® Weigh Bar®. Stainless steel construction and IP67 rating for a variety of floor scale, mount assembly and truck scale designs. Standard capacities range from 1,250 lb to 10,000 lb.



Page 136

### RL32011WB-T, STAINLESS STEEL



A direct replacement for the threaded style Avery Weigh-Tronix Weigh Bar, with improved stainless steel construction and a potted IP67 housing. Available in 1,250 lb or 2,500 lb capacities.



## DOUBLE-ENDED BEAMS

Page 137

### RL72020, ALLOY STEEL



An alloy steel, double-ended beam load cell ideal for truck, tank and hopper applications. Complete with 30 ft of load cell cable and available in capacities of 5,000 lb to 250,000 lb.



Page 138

### RL72020SS, STAINLESS STEEL



A stainless steel, double-ended beam load cell with an environmental seal and Legal for Trade NTEP certification. Available in capacities of 5,000 lb to 150,000 lb and complete with 30 ft of cable.



## DOUBLE-ENDED BEAMS

Page 139

### RL72020P, COATED



A coated alloy steel, double-ended beam load cell ideal for fertilizer, tank and hopper applications. Capacities range from 5,000 lb to 250,000 lb and comes with 30 ft of load cell cable.



Page 140

### RL72019SS, STAINLESS STEEL



A direct replacement for the RL72010MH load cell. It is stainless steel and has a welded seal. Complete with 25 ft of cable and is available in capacities from 5,000 lb to 60,000 lb.



Page 141

### RL70000, ALLOY STEEL



Double-ended beam with center loading. Designed for truck, tank and hopper applications. Capacities range from 10,000 lb to 250,000 lb. Complete with 30 ft of load cell cable.



Page 142

### RL70000, ALLOY STEEL COATED



A coated alloy steel, double-ended beam load cell designed for tank and hopper applications. Available in capacities ranging from 5,000 lb to 250,000 lb and complete with 30 ft of load cell cable. Ideal for fertilizer applications.



Page 144

### RL70000SS, STAINLESS STEEL



Stainless steel double-ended beam load cell designed for truck, track and process weighing. High accuracy, low profile and tolerances to non-axial loading and redundant seal. Capacities range from 5,000 lb to 100,000 lb. Complete with 30 ft of load cell cable.



Page 144

### RL75016, ALLOY STEEL



Designed for tank and hopper applications. An alloy steel double-ended beam load cell with center loading. Capacities range from 1,000 lb to 75,000 lb. The load cell comes with 25 ft of load cell cable.



Page 145

### RL75016, ALLOY STEEL, COATED



A version of the RL75016 load cell but with a proprietary coating for extra protection in dry chemical applications. Has a coated double-ended beam with center loading designed for tank and hopper applications. Capacities range from 1,000 lb to 75,000 lb. Complete with 25 ft of load cell cable.



Page 146

### RL75016SS, STAINLESS STEEL



Double-ended beam with center loading. Designed for tank and hopper applications. Stainless steel provides protection against corrosive materials. Capacities range from 1,000 lb to 75,000 lb. Complete with 25 ft of load cell cable.



Page 147

### RL75016SS-W, STAINLESS STEEL



A double-ended beam, stainless steel load cell designed for tank and hopper applications. Capacities range from 1,000 lb to 50,000 lb.

# Rice Lake Weighing Systems

## DOUBLE-ENDED BEAMS

Page 148

### RL75016WHE, STAINLESS STEEL



Double-ended beam with center loading. Designed for tank and hopper applications. Stainless steel construction and hermetic sealing provide protection in hostile environments. Capacities range from 1,000 lb to 25,000 lb. Complete with 25 ft of load cell cable.



Page 149

### RL75058I, FOR RICE LAKE COIL SCALE



Nickel plated and environmentally sealed with stainless steel side plates. Used in the Rice Lake Weighing Systems coil scale. 20,000 lb to 75,000 lb, complete with 35 ft of load cell cable.



Page 150

### RL75058-LP, ALLOY STEEL



Nickel plated, high-alloy steel load cell with built-in lightning protection. Available in capacities from 10,000 lb to 125,000 lb. Sealed to IP67, it has a 3 mV/V output and is FM approved and NTEP Certified.



Page 151

### RL75058S-LP, STAINLESS STEEL



A stainless steel, hermetically sealed load cell with built-in lightning protection. It is available in capacities 10,000 lb to 125,000 lb with an IP68/IP69K rating.



Page 152

### RL75060S, STAINLESS STEEL



Provides durability and accuracy in high-capacity process measurement and control. Ideal for vehicle weighing in hostile environments. Capacities range from 20,000 lb to 100,000 lb. NTEP Certified and complete with 35 ft of load cell cable.



Page 153

### RL75223, ALLOY STEEL



High performance end-loaded, center-supported shear beam. Designed for low-profile truck and track scales in harsh environments. Welded seal provides superior protection. Parallel link loading provides free movement in all horizontal directions. Compatible with Translink Mounts. Capacities range from 50,000 lb to 100,000 lb. Complete with 40 ft of load cell cable.



Page 154

### RLDB50000S, STAINLESS STEEL



Stainless steel, welded-seal load cell designed as an interchangeable load cell for the Cardinal® DB50000S. It is NTEP Certified for 10,000 divisions and has 35 ft of cable standard. Available in 50,000 lb capacity.



Page 155

### RL75040, ALLOY STEEL



Double-ended beam load cell. Nickel plated and environmentally sealed with stainless steel plates. Designed for center mounting and double link loading, compatible with Unilink/Translink suspension up to 75,000 lb. Capacities range from 25,000 lb to 125,000 lb. Complete with 35 ft of load cell cable. Optional 40 ft or 50 ft cable available with some capacities.



## COMPRESSION CANISTERS

Page 156

### RLCSP1, STAINLESS STEEL



Welded-seal, stainless steel canister cell designed for vehicle and process applications. High capacity load cell is built for reliability, durability and extreme precision. Ideal for applications where optimal precision and durability are needed. Capacities range from 25,000 lb to 200,000 lb. Complete with 35 ft of load cell cable.



Page 157

### RL8C2P1SST, STAINLESS STEEL



Single-column design with low deflection; hermetically sealed for trouble-free operation. Stainless steel for use in harsh environments. Compact and rugged. Capacities of 50k, 100k and 200k. Complete with 35 ft of load cell cable.



Page 158

### RLSCA-50K, STAINLESS STEEL



A replacement for Cardinal® SCA products. Features stainless steel construction and welded sealing to provide IP67 environmental protection. Includes a load cell and two retrofit cups that allow match up with various field applications. NTEP Certified. Provides easy installation and access. Available in a 50,000 lb package, comes with 30 ft of standard load cell cable.



Page 159

### RL70510/RL80453, STAINLESS STEEL



Replacements for the Fairbanks 70510 and 80453 rocker cells found in many truck scales. Stainless steel and hermetically sealed.



Page 160

### RL75114-50K, STAINLESS STEEL



Stainless steel, hermetically sealed rocker column designed to interchange with the Fairbanks part number 64166. Comes with 30 ft of overbraid cable to protect it from abrasion and pests. NTEP Certified.



## COMPRESSION DISK

Page 161

### RL90000, ALLOY STEEL



Environmentally sealed low-profile compression disk. Models with capacities of 5,000 lb and 10,000 lb can also be used in tension loading applications. Shear web design provides excellent performance and its low profile makes it ideal for applications where height is critical. Capacities range from 5,000 lb to 100,000 lb. Complete with 50 ft of load cell cable.



## SINGLE POINTS

Page 162

### RLPC3SS, STAINLESS STEEL



Stainless steel, environmentally sealed single-point ideally suited for bench scales. NTEP certified and OIML approved with capacities from 7 kg to 150 kg. 10 ft of cable standard.



# Rice Lake Weighing Systems

## SINGLE POINTS

Page 163

### RLPC4SS-HE, STAINLESS STEEL



Stainless steel hermetically sealed single-point designed for bench scales used in washdown applications. Available in capacities from 10 kg to 100 kg. NTEP Certified and OIML approved.



Page 164

### RLPC6, STAINLESS STEEL



Stainless steel, hermetically sealed single-point load cell ideal for wet environments. NTEP Certified and comes with 10 ft of cable. Capacity from 10 kg to 200 kg.



Page 165

### RLPWM15HE, STAINLESS STEEL



Hermetically sealed, stainless steel, single-point load cell. Available in capacities ranging from 10 kg to 100 kg. NTEP Certified and comes complete with 2.83 ft or 10 ft of load cell cable.



Page 166

### RLPWM15, STAINLESS STEEL



Environmentally sealed and replaces HBM's PW15 for many bench scale types. Comes in a range of capacities from 10 kg to 100 kg. NTEP certified and FM approved.



Page 167

### RLPCBC-60, STAINLESS STEEL



Stainless steel, hermetically sealed, single-point load cell that can be used in wet environments. NTEP Certified and comes complete with 10 ft of load cell cable. Capacity ranges from 50 kg to 1,000 kg.



Page 168

### RL1521A, ALUMINUM



Low-profile single-point load cell designed for electronic bench scales and platform scales. A replacement for the VPG BLH and NMB C2G1, capacities range from 3 kg to 35 kg.



Page 169

### RL1010, ALUMINUM



Off-center loading load cell designed for long-lasting, durable mounting of the weighing platform. Load cells with potted cavities are available for improved performance in damp environments. Potted model capacities range from 7 kg to 90 kg with 10 ft of load cell cable. Unpotted model capacities range from 3 kg and 5 kg with 3 ft of load cell cable. NTEP Certified from 10 kg to 50 kg.



Page 170

### RLSP4, ALUMINUM



A low-profile, off-center load cell designed for retail, postal and platform scale applications. Manufactured from aluminum, moment compensated for optimal accuracy and protected by a quality gauge coating compound that provides a barrier against high humidity environments. Available in capacities ranging from 5 kg to 100 kg, and comes standard with 10 ft of load cell cable.





## SINGLE POINTS

Page 171

### RLPWM12, ALUMINUM



The RLPWM12 is ideal for platform, hanging scales and other low-capacity beam applications. An aluminum, single point load cell with capacities 500 kg and 1000 kg available, this load cell is NTEP Certified. Complete with 10 ft of load cell cable.



Page 172

### RLPWM16, ALUMINUM



A single point, aluminum load cell in a 75 kg capacity. This load cell has a potted cavity and offers excellent performance in damp environments. Complete with 10 ft of load cell cable.



Page 173

### RL1042, ALUMINUM



A low-profile single point for platform weighing, this model is constructed of aluminum, and is a two-beam design. This design offers high immunity to side forces and is specially coated to provide humidity resistance. The unit is available in 1 kg and 20 kg capacities. Complete with 10 ft of load cell cable.



Page 174

### RL1040, ALUMINUM



Designed for direct mounting of a weighing platform, hanging scales and other low-capacity beam applications. Maintains long-term stability and durability. Potted cavities provide improved performance in damp environments. NTEP Certified capacities range from 5 kg to 100 kg. Complete with 10 ft of load cell cable.



Page 175

### RL1140, STAINLESS STEEL



A single-point cell constructed of stainless steel. Ideal for platform scales, packaging and process weighing equipment. Capacities range from 15 kg to 150 kg. Complete with 10 ft of load cell cable.



Page 176

### RL1380, STAINLESS STEEL



Designed for high performance in wet environments, these single-point cells provide an excellent option when stainless steel is required for an application. Available in capacities ranging from 7 kg to 60 kg. Complete with 10 ft of load cell cable.



Page 177

### RL1385, STAINLESS STEEL

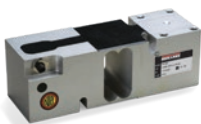


Low-profile, off-center loading load cell. Designed for direct mounting of a weighing platform, hanging scales and other low-capacity beam applications. Stainless steel construction with a humidity-resistant protective coating provides long-term stability, even in harsh environments. Potted cavities provide improved performance in damp environments. Capacities range from 10 kg to 200 kg. Complete with 10 ft of load cell cable.



Page 178

### RL1260, ALUMINUM



High-capacity, off-center loading aluminum load cell. This model is of the two-beam design, and is specially coated to assure durability in harsh environments. 75 kg and 300 kg capacities available. Complete with 10 ft of load cell cable.



# Rice Lake Weighing Systems

## SINGLE POINTS

Page 179

### RL260FD, STAINLESS STEEL

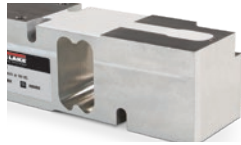


A Rice Lake fluid dampened load cell. The stainless steel housing and standard breather tube provide excellent protection in most applications. Available from 2 kg to 50 kg capacities. NTEP Certified and FM approved.



Page 180

### RL26018A, ALUMINUM



Ideal for bench scales. Comes in capacities from 50 kg to 635 kg. NTEP and FM approved and is environmentally sealed to IP67. Complete with 10 ft of cable.



Page 181

### RL1218A, ALUMINUM



A high-capacity, off-center loading load cell. Weighs loads from 50 kg to 1,000 kg. Features potted cavities that offer excellent performance in damp environments.



Page 182

### RL42018A, ALUMINUM



An aluminum, IP66 single-point load cell. Available in capacities ranging from 3 kg to 100 kg and has NTEP Certified and FM approvals. 10 ft of cable included.



Page 183

### RLFLS, STAINLESS STEEL



Interchangeable with the Avery Weigh-Tronix® FLS, Rice Lake's single-point RLFLS is a solid choice for many bench scale applications. The potted RLFLS is stainless steel and rated at IP67, available in a 50 lb capacity.

## PLANAR BEAMS

Page 184

### RLBLP, ALUMINUM



Very low-profile aluminum sensor that can be used in bench scales in low-profile floor scales. Available in capacities ranging from 15 kg to 150 kg.

## TENSION LINK

Page 185

### RL2010 TENSION LINK



Ranges in capacities of 5,000 lb to 500,000 lb. Constructed of stainless steel. Ideal for unique tension applications.

MSI

Page 186

## MSI LOAD PIN SENSORS



A key component of MSI's integrated overhead weighing solutions is the Load Pin Sensor. Typically designed and manufactured specifically to each integrated solution, the MSI load pin is strictly industrial grade. Each load pin design is precision machined from 17-4 stainless steel for safety, strength and corrosion resistance.

Page 187

## MSI LOAD PIN QUESTIONNAIRE

Page 188

## MSI TENSION LINK



The MSI Tension Link integrates between a crane block and lifting equipment to provide force measurement for lifted items, making it an ideal integration for cranes. The MSI Tension Link features a 7:1 safety factor for compliance with industrial and military safety requirements.

Page 189

## MSI CLAMP-ON



The MSI Clamp-on load cell is a durable solution for measuring wire rope tension, providing dependable overload detection and prevention for overhead cranes and hoists. Available in two envelopes to accommodate most common wire ropes, 3/8 inch to 1/2 inch and 9/16 inch to 3/4 inch, the MSI Clamp-on installs quickly and easily to the wire rope dead end. Weight-based setpoints can be used to communicate with crane electronics providing operator alerts and safety shutoffs based on unsafe load conditions.

# RL20000I

Alloy Steel, Environmentally Sealed, NTEP Certified 1:5,000 III/1:10,000 IIII, IP67



Picture is a representation of actual product.

### Approvals



### Order Information

Load Rating	Part #	Est. Weight	Price
25 lb	21428	2 lb	\$290.00
50 lb	21429	2 lb	\$290.00
75 lb	21430	2 lb	\$290.00
100 lb	21431	2 lb	\$290.00
150 lb	21432	2 lb	\$290.00
200 lb	21433	2 lb	\$290.00
250 lb	21434	2 lb	\$290.00
300 lb	21435	2 lb	\$290.00
500 lb	21436	2 lb	\$290.00
750 lb	21437	2 lb	\$290.00
1,000 lb	21438	2 lb	\$290.00
1,500 lb	21439	2 lb	\$290.00
2,000 lb***	21356	2 lb	\$358.00
2,000 lb	21440	2 lb	\$290.00
2,500 lb	21441	2 lb	\$290.00
3,000 lb	21442	4 lb	\$334.00
5,000 lb***	17044	4 lb	\$505.00
5,000 lb	21443	4 lb	\$466.00
10,000 lb	21444	4 lb	\$466.00
15,000 lb	21445	7 lb	\$588.00
20,000 lb***	17045	17 lb	\$993.00
20,000 lb	21446	17 lb	\$927.00
<b>Conduit Adapter Kit* (must be factory installed to maintain warranty)</b>			
3/8-24 nipple	31533*	1 lb	\$37.00
3/8-24 to 1/4-18 NPT	31534*	1 lb	\$37.00
<b>Replacement Agriculture Scale Load Cell - 40 ft Cable</b>			
10,000 lb	151746	5 lb	\$493.00

\*PN 31533 and PN 31534 must be installed together to form the Conduit Adapter Kit

\*\*\*These load cells have 30ft or 35ft of cable and trimmed outputs and are used in many batch plants

### Dimensions

Rated Capacity	A	B	C	D	E
lb/in					
25 to 300	1/4-28 UNF	0.75	0.50	2.00	2.50
500 to 1,500	1/2-20 UNF	1.00	0.75	2.00	2.50
2,000 to 2,500	1/2-20 UNF	1.25	1.00	2.00	2.50
3,000	1/2-20 UNF	1.25	1.00	3.00	4.00
5,000 to 10,000	3/4-16 UNF	1.25	1.00	3.00	4.00
15,000	1-12 UNF	1.50	1.25	4.00	5.50
20,000	1 1/4-12 UNF	2.25	2.00	5.00	7.00

### Interchangeable Products

ARTECH™

**20210 (1-14 UNF)** (15,000 lb thread is 1-12 UNF for Rice Lake model)

### Weigh Module Available

RICE LAKE WEIGHING SYSTEMS

**ITCM Isolated**

**Tension Cell Mount..... page 40**

### Specifications

**Full Scale Output:**

3.0 mV/V

**Output Resistance:**

350 (± 3) ohm

**Input Resistance:**

385 (± 5) ohm

**Material/Finish:**

High-alloy steel, nickel plated

**Temperature:**

Compensated range  
14 °F to 104 °F (-10 °C to 40 °C)  
Operating range  
0 °F to 150 °F (-18 °C to 65 °C)

**Seal Type:**

Environmentally sealed, IP67

**Safe Overload:**

150% full scale

**Rated Excitation:**

5 to 10 VDC (15 V maximum)

**Combined Error:**

0.02% full scale

**Insulation Resistance:**

5,000 megohm

**Cable Length:**

20 ft  
30 ft (pn 17044 and 17045)  
35 ft (pn 21356)

**Cable Diameter:**

0.200 in  
Polyurethane jacket

**Cable Color Code:**

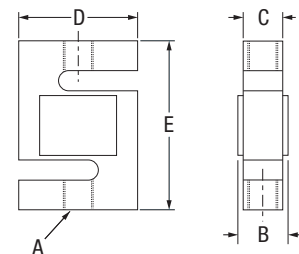
Red +Excitation  
Black -Excitation  
Green +Signal  
White -Signal

**Warranty:**

Two-year limited

**Approvals:**

NTEP 90-158  
cFMus





Picture is a representation of actual product.

### Approvals



### Order Information

Load Rating	Part #	Est. Weight	Price
<b>NTEP Certified</b>			
100 lb	46511	2 lb	\$312.00
250 lb	46503	2 lb	\$312.00
300 lb	181826	2 lb	\$312.00
500 lb	46504	2 lb	\$312.00
750 lb	46505	2 lb	\$312.00
1,000 lb	46506	2 lb	\$312.00
2,500 lb	46507	2 lb	\$312.00
3,000 lb	46508	4 lb	\$345.00
5,000 lb	46509	4 lb	\$503.00
10,000 lb	46510	4 lb	\$525.00
<b>Non-NTEP Certified</b>			
50 lb	17013	2 lb	\$312.00
15,000 lb	158375	7 lb	\$715.00
20,000 lb	158376	13 lb	\$948.00
<b>Conduit Adapter Kit* (must be factory installed to maintain warranty)</b>			
3/8-24 nipple	31533*	1 lb	\$37.00
3/8-24 to 1/4-18 NPT	31534*	1 lb	\$37.00

\* PN 31533 and PN 31534 must be installed together to form the Conduit Adapter Kit

### Dimensions

Rated Capacity	A	B	C	D	E
lb/in					
50 to 300	1/4-28 UNF	0.65	0.46	2.00	2.40
500 to 1,000	1/2-20 UNF	0.90	0.71	2.00	2.40
2,500	1/2-20 UNF	1.15	0.96	2.00	2.40
3,000	1/2-20 UNF	1.15	0.96	3.00	3.90
5,000	3/4-16 UNF	1.15	0.96	3.00	3.90
10,000	3/4-16 UNF	1.40	1.21	3.00	3.90
15,000	1-14 UNS	1.63	1.46	3.44	5.50
20,000	1 1/4-12 UNF	1.88	1.68	4.44	7.00

### Interchangeable Products

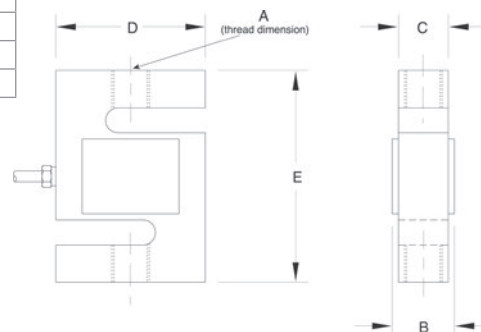
VPG® REVERE  
**9363** ..... page 260  
 ARTECH®  
**20210**

### Weigh Module Available

RICE LAKE WEIGHING SYSTEMS  
**ITCM Isolated  
 Tension Cell Mount**..... page 40

### Specifications

- Full Scale Output:**  
3.0 (± 0.008) mV/V
- Output Resistance:**  
350 (± 3.5) ohm
- Input Resistance:**  
390 (± 15) ohm
- Material/Finish:**  
Stainless steel
- Temperature:**  
Compensated range  
14 °F to 104 °F (-10 °C to 40 °C)  
Operating range  
0 °F to 150 °F (-18 °C to 65 °C)
- Seal Type:**  
Environmentally sealed, IP67
- Safe Overload:**  
150% full scale
- Rated Excitation:**  
5 to 10 VDC (15 V maximum)
- Combined Error:**  
0.03% full scale
- Insulation Resistance:**  
5,000 megohm
- Cable Length:**  
20 ft
- Cable Color Code:**  
Red +Excitation  
Black -Excitation  
Green +Signal  
White -Signal
- Warranty:**  
Two-year limited
- Approvals:**  
NTEP CC 98-078  
cFMus Approved



**RICE LAKE  
LOAD CELLS**

# RL2000ST

Stainless Steel, Environmentally Sealed, NTEP Certified 1:10,000 Class III Single Cell, IP67



Picture is a representation of actual product.

### Approvals



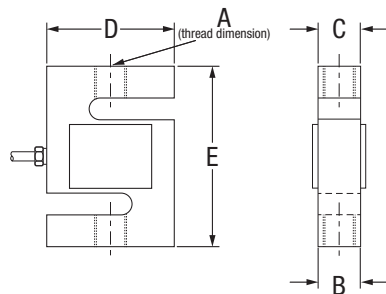
### Order Information

Load Rating	Part #	Est. Weight	Price
50 lb	72741	2 lb	\$334.00
100 lb	72742	2 lb	\$334.00
200 lb	72743	2 lb	\$334.00
250 lb	72744	2 lb	\$334.00
300 lb	72745	2 lb	\$334.00
500 lb	72746	2 lb	\$334.00
750 lb	72747	2 lb	\$334.00
1,000 lb	72748	2 lb	\$334.00
1,500 lb	72749	2 lb	\$334.00
2,000 lb	72750	2 lb	\$334.00
2,500 lb	72751	2 lb	\$334.00
3,000 lb	72752	4 lb	\$440.00
5,000 lb	72753	4 lb	\$545.00
<b>Conduit Adapter Kit* (must be factory installed to maintain warranty)</b>			
3/8-24 nipple	31533*	1 lb	\$37.00
3/8-24 to 1/4-18 NPT	31534*	1 lb	\$37.00

\*PN 31533 and PN 31534 must be installed together to form the Conduit Adapter Kit.

### Dimensions

Rated Capacity	A	B	C	D	E
lb/in					
50 to 300	1/4-28 UNF	0.65	0.46	2.00	2.40
500 to 1,000	1/2-20 UNF	0.90	0.71	2.00	2.40
1,500 to 2,500	1/2-20 UNF	1.15	0.96	2.00	2.40
3,000	1/2-20 UNF	1.15	0.96	3.00	3.90
5,000	3/4-16 UNF	1.15	0.96	3.00	3.90



### Specifications

- Full Scale Output:** 3.0 mV/V
- Output Resistance:** 350 (± 3.5) ohm
- Input Resistance:** 430 (± 60) ohm
- Material/Finish:** Stainless steel
- Temperature:** Compensated range 14 °F to 104 °F (-10 °C to 40 °C)  
Operating range 0 °F to 150 °F (-18 °C to 65 °C)
- Seal Type:** Environmentally sealed, IP67
- Safe Overload:** 150% full scale
- Rated Excitation:** 5 to 10 VDC (15 V maximum)
- Combined Error:** 0.03% full scale
- Insulation Resistance:** 5,000 megohm
- Cable Length:** 20 ft
- Cable Diameter:** 0.190 in polyurethane jacket
- Cable Color Code:** Red +Excitation  
Black -Excitation  
Green +Signal  
White -Signal
- Warranty:** Two-year limited
- Approvals:** NTEP 03-007  
FM



Picture is a representation of actual product.

**Approvals**



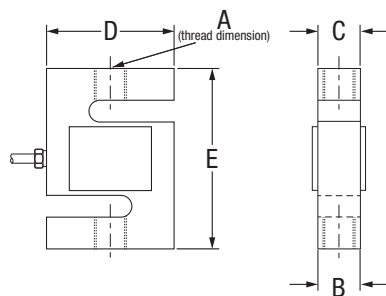
**Order Information**

Load Rating	Part #	Est. Weight	Price
250 lb	21402	2 lb	\$290.00
500 lb	21403	2 lb	\$290.00
750 lb	21404	2 lb	\$290.00
1,000 lb	21405	2 lb	\$290.00
1,500 lb	21406	2 lb	\$290.00
2,000 lb	21407	3 lb	\$290.00
2,500 lb	21408	4 lb	\$290.00
3,000 lb	21409	3 lb	\$334.00
5,000 lb	21410	4 lb	\$466.00
10,000 lb	21411	5 lb	\$466.00
15,000 lb	21412	7 lb	\$588.00
20,000 lb	21413	16 lb	\$927.00
<b>Conduit Adapter Kit* (must be factory installed to maintain warranty)</b>			
3/8-24 nipple	31533*	1 lb	\$37.00
3/8-24 to 1/4-18 NPT	31534*	1 lb	\$37.00

\*PN 31533 and PN 31534 must be installed together to form the Conduit Adapter Kit

**Dimensions**

Rated Capacity	A	B	C	D	E
lb/in					
250	3/8-24 UNF	0.75	0.50	2.00	3.00
500 to 2,000	1/2-20 UNF	1.00	0.75	2.00	3.00
2,500 to 3,000	1/2-20 UNF	1.25	1.00	2.00	3.00
5,000	3/4-16 UNF	1.25	1.00	3.00	4.25
10,000	3/4-16 UNF	1.25	1.00	3.50	4.75
15,000	1-14 UNS	1.50	1.25	4.00	5.50
20,000	1 1/4-12 UNF	2.25	2.00	5.00	7.00



**Interchangeable Products**

- VPG® CELTRON  
**STC**..... page 202
- VPG® SENSORTRONICS®  
**60001**..... page 291

**Weigh Module Available**

- RICE LAKE WEIGHING SYSTEMS  
**ITCM Isolated Tension Cell Mount**..... page 40

**Specifications**

- Full Scale Output:**  
3.0 mV/V
- Output Resistance:**  
350 (± 3) ohm
- Input Resistance:**  
385 (± 5) ohm
- Material/Finish:**  
High-alloy steel, nickel plated
- Temperature:**  
Compensated range  
14 °F to 104 °F (-10 °C to 40 °C)  
Operating range  
0 °F to 150 °F (-18 °C to 65 °C)
- Seal Type:**  
Environmentally sealed, IP67
- Safe Overload:**  
150% full scale
- Rated Excitation:**  
5 to 10 VAC/DC (15 V maximum)
- Combined Error:**  
0.02% full scale
- Insulation Resistance:**  
5,000 megohm
- Cable Length:**  
20 ft
- Cable Diameter:**  
0.200 in polyurethane jacket
- Cable Color Code:**  
Red +Excitation  
Black -Excitation  
Green +Signal  
White -Signal
- Warranty:**  
Two-year limited
- Approvals:**  
cFMus  
NTEP 91-046

**RICE LAKE  
LOAD CELLS**

# RL20001HE

Stainless Steel, Welded Seal, NTEP Certified 1:5,000 Class III/1:10,000 Class IIII Single Cell, IP68



Picture is a representation of actual product.

**Approvals**

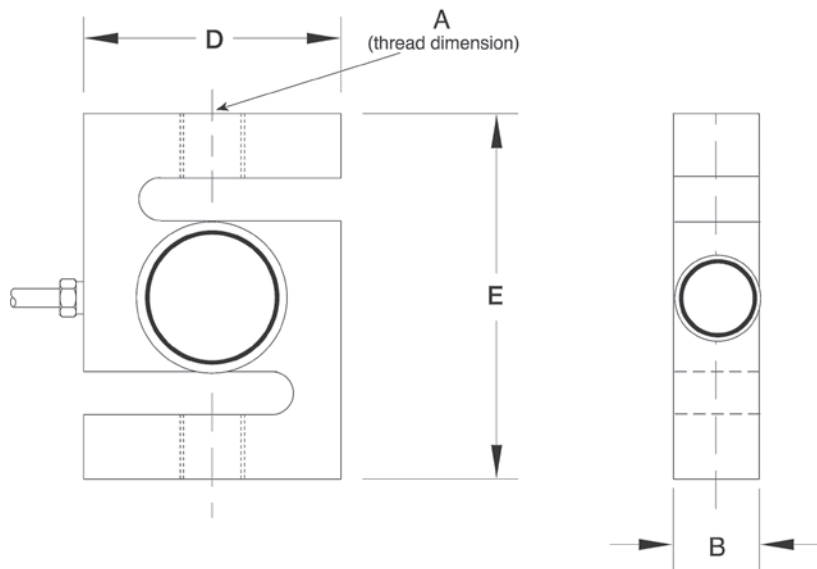


**Order Information**

Load Rating	Part #	Est. Weight	Price
<b>NTEP Certified</b>			
500 lb	46469	2 lb	\$900.00
750 lb	46470	2 lb	\$900.00
1,000 lb	46471	2 lb	\$900.00
1,500 lb	46472	2 lb	\$900.00
2,000 lb	46473	2 lb	\$900.00
2,500 lb	46474	2 lb	\$900.00
3,000 lb	46475	2 lb	\$900.00
5,000 lb	46476	5 lb	\$1,205.00
<b>Non-NTEP Certified</b>			
10,000 lb	36292	5 lb	\$1,205.00

**Dimensions**

Rated Capacity	A	B	D	E
lb/in				
500 to 3,000	1/2-20 UNF	1.00	2.00	3.00
5,000 to 10,000	3/4-16 UNF	1.00	3.50	4.75



**Interchangeable Products**

VPG® SENSORTRONICS®  
**60063** ..... page 293

**Weigh Module Available**

RICE LAKE WEIGHING SYSTEMS  
**ITCM HE Isolated Tension Cell Mount**..... page 42

**Specifications**

- Full Scale Output:**  
2.0 mV/V
- Bridge Resistance:**  
350 ohm, nominal
- Material/Finish:**  
Stainless steel
- Temperature:**  
Compensated range  
14 °F to 104 °F (-10 °C to 40 °C)  
Operating range  
0 °F to 150 °F (-18 °C to 65 °C)
- Seal Type:**  
Welded-seal, IP68
- Safe Overload:**  
150% full scale
- Rated Excitation:**  
5 to 10 VDC (15 V maximum)
- Combined Error:**  
0.02% full scale
- Insulation Resistance:**  
5,000 megohm
- Cable Length:**  
20 ft
- Cable Diameter:**  
0.200 in polyurethane jacket
- Cable Color Code:**  
Red +Excitation  
Black -Excitation  
Green +Signal  
White -Signal
- Warranty:**  
Two-year limited
- Approvals:**  
cFMus  
NTEP 98-071

RICE LAKE  
LOAD CELLS





Picture is a representation of actual product.

**Approvals**

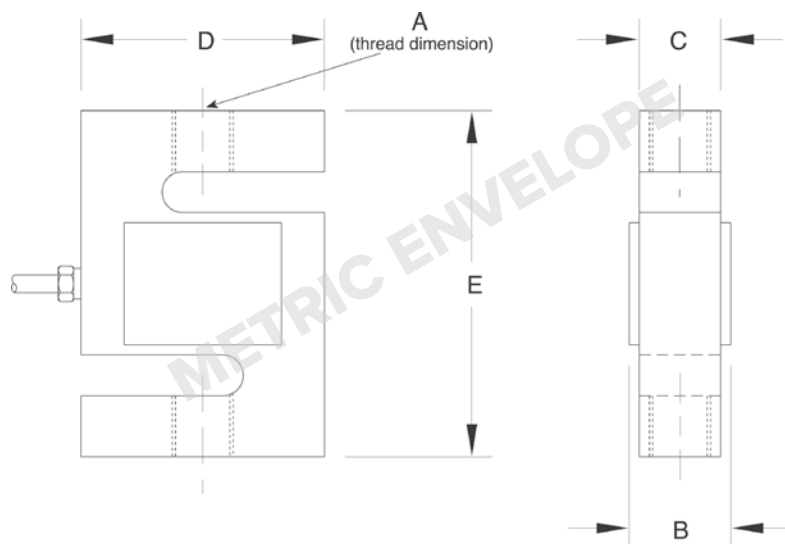


**Order Information**

Load Rating	Part #	Est. Weight	Price
250 kg	31254	2 lb	\$312.00
500 kg	31255	2 lb	\$312.00
1,000 kg	31256	2 lb	\$312.00
2,500 kg	31257	3 lb	\$487.00

**Dimensions**

Rated Capacity	A	B	C	D	E
kg/mm					
250 to 1,000	M12 × 1.75-6H	25.4	19.1	50.8	76.0
2,500	M20 × 1.5-6H	31.8	25.4	76.2	108.0



**Specifications**

- Full Scale Output:**  
3.0 mV/V ± 0.25%
- Bridge Resistance:**  
350 ohm, nominal
- Material/Finish:**  
Alloy steel
- Temperature:**  
Operating range  
0 °F to 150 °F (-18 °C to 65 °C)
- Seal Type:**  
Environmentally sealed, IP67
- Safe Overload:**  
150% full scale
- Rated Excitation:**  
5 to 10 VAC/DC (15V maximum)
- Combined Error:**  
0.02% full scale
- Insulation Resistance:**  
5,000 megohm
- Cable Length:**  
6 m
- Cable Diameter:**  
0.200 in polyurethane jacket
- Cable Color Code:**  
Red +Excitation  
Black -Excitation  
Green +Signal  
White -Signal
- Warranty:**  
Two-year limited
- Approvals:**  
cFMus  
OIML R60/1991-GB-95-09

**RICE LAKE  
LOAD CELLS**

# RL32022

Alloy Steel, Environmentally Sealed, OIML C3, IP67



Picture is a representation of actual product.

## Approvals



## Order Information

Load Rating	Part #	Est. Weight	Price
300 kg	211630	0.9 kg	\$312.00
500 kg	211631	0.9 kg	\$312.00
750 kg	211632	0.9 kg	\$312.00
1,000 kg	211633	0.9 kg	\$312.00
1,500 kg	211634	0.9 kg	\$312.00
2,000 kg	211635	0.9 kg	\$312.00

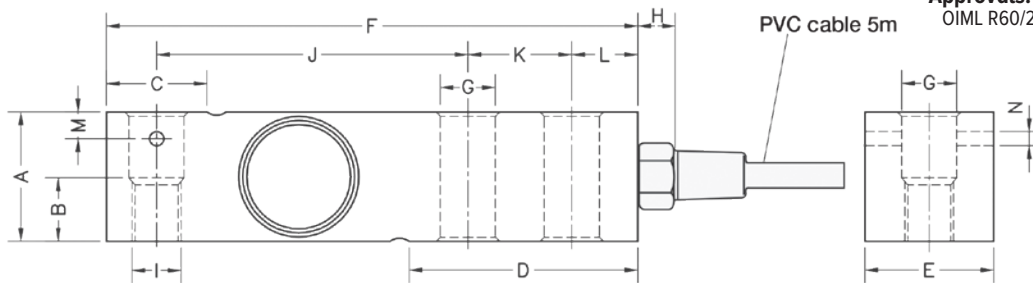
## Dimensions

Rated Capacity	A	B	C	D	E	F	G	H	I	J	K	L	M	N
kg/mm														
300 to 2,000	31.5	15.0	34.6	56.0	31.5	130.0	13.5	18.0	M12	76.2	25.4	15.8	6.5	3.5

## Specifications

- Full Scale Output:**  
2.0 mV/V ± 0.05%  
mV/V/ohm calibration
- Output Resistance:**  
350 (± 3) ohm
- Input Resistance:**  
400 (± 20) ohm
- Material/Finish:**  
Alloy steel, nickel plated
- Temperature:**  
Compensated range  
-14 °F to 104 °F (-10 °C to 40 °C)  
Operating range  
0 °F to 150 °F (-18 °C to 65 °C)
- Seal Type:**  
Environmentally sealed, IP67
- Safe Overload:**  
150% full scale
- Safe Sideload:**  
100% full scale
- Rated Excitation:**  
10 VDC (15 V maximum)
- Combined Error:**  
0.017% full scale
- Insulation Resistance:**  
> 5,000 megohm
- Deflection:**  
0.2 to 0.4 mm
- Cable Length:**  
5 m
- Cable Color Code:**  
Green +Excitation  
Black -Excitation  
Red +Signal  
White -Signal
- Warranty:**  
Two-year limited
- Approvals:**  
OIML R60/2017-A-NL1-22.11

RICE LAKE  
LOAD CELLS





Picture is a representation of actual product.

**Approvals**



**Order Information**

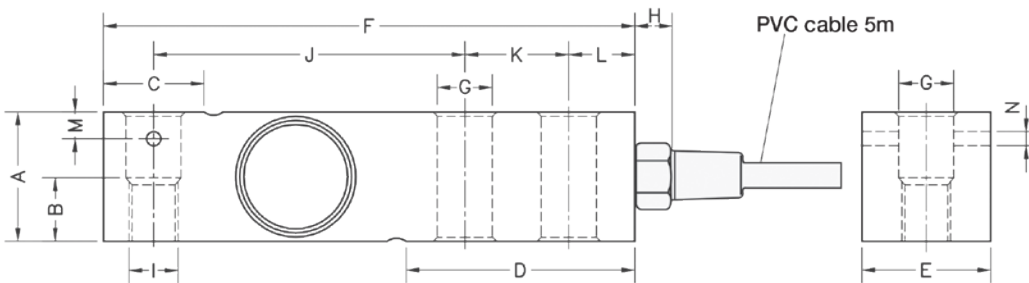
Load Rating	Part #	Est. Weight	Price
300 kg	211636	0.9 kg	\$350.00
500 kg	211637	0.9 kg	\$350.00
750 kg	211638	0.9 kg	\$350.00
1,000 kg	211639	0.9 kg	\$350.00
1,500 kg	211640	0.9 kg	\$350.00
2,000 kg	211641	0.9 kg	\$350.00
3,000 kg	211642	2.2 kg	\$445.00
5,000 kg	211643	2.2 kg	\$445.00

**Dimensions**

Rated Capacity	A	B	C	D	E	F	G	H	I	J	K	L	M	N
kg/mm														
300 to 2,000	31.5	15.0	34.6	56.0	31.5	130.0	13.5	18.0	M12	76.2	25.4	15.8	6.5	3.5
3,000 to 5,000	48.0	-	37.0	76.0	41.5	171.5	20.5	18.0	-	75.2	38.1	19.0	-	-

**Specifications**

- Full Scale Output:**  
2.0 mV/V ± 0.05%  
mV/V/ohm calibration
- Output Resistance:**  
350 (± 3) ohm
- Input Resistance:**  
400 (± 20) ohm
- Material/Finish:**  
Stainless steel
- Temperature:**  
Compensated range  
-14 °F to 104 °F (-10 °C to 40 °C)  
Operating range  
0 °F to 150 °F (-18 °C to 65 °C)
- Seal Type:**  
Hermetically sealed, IP69K
- Safe Overload:**  
150% full scale
- Safe Sideload:**  
100% full scale
- Rated Excitation:**  
10 VDC (15 V maximum)
- Combined Error:**  
0.017% full scale
- Insulation Resistance:**  
> 5,000 megohm
- Deflection:**  
0.2 to 0.4 mm
- Cable Length:**  
5 m
- Cable Color Code:**  
Green +Excitation  
Black -Excitation  
Red +Signal  
White -Signal
- Warranty:**  
Two-year limited
- Approvals:**  
OIML



# RL32018

Alloy Steel, Environmentally Sealed, NTEP Certified 1:5,000 Class III Multiple Cell, IP66



Picture is a representation of actual product.

### Approvals



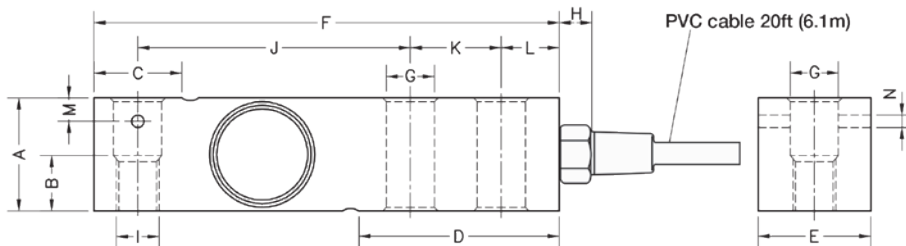
### Order Information

Load Rating	Part #	Est. Weight	Price
<b>NTEP Certified</b>			
500 lb	189151	2 lb	\$312.00
1,000 lb	189152	2 lb	\$312.00
1,500 lb	191732	2 lb	\$312.00
2,000 lb	189153	2 lb	\$312.00
2,500 lb	189154	2 lb	\$312.00
3,000 lb	189155	5 lb	\$312.00
4,000 lb	189156	5 lb	\$312.00
5,000 lb SE	189157	5 lb	\$312.00
5,000 lb LE	189158	5 lb	\$398.00
10,000 lb	189159	5 lb	\$398.00
<b>Non-NTEP Certified</b>			
250 lb	189150	2 lb	\$312.00
15,000 lb*	189160	10 lb	\$683.00
20,000 lb*	189161	10 lb	\$683.00
<b>With Overbraided Cable</b>			
2,500 lb	209166	10 lb	\$350.00
20,000 lb*	197558	10 lb	\$768.00

SE=small envelope; LE=large envelope  
\* Pending NTEP

### Dimensions

Rated Capacity	A	B	C	D	E	F	G	H	I	J	K	L	M	N
lb/in														
250 to 500	1.00	0.59	0.96	2.20	1.24	5.12	0.53	0.70	1/2-20 UNF	3.00	1.00	0.62	0.25	0.13
1,000 to 5,000 SE	1.24	0.59	0.96	2.20	1.24	5.12	0.53	0.70	1/2-20 UNF	3.00	1.00	0.62	0.25	0.13
5,000 LE to 10,000	1.50	-	1.45	2.99	1.50	6.75	0.80	0.70	3/4-16 UNF	3.75	1.50	0.75	-	-
15,000 to 20,000	2.00	-	-	4.00	2.00	8.75	1.06	-	1-14 UNS	4.90	2.00	1.00	-	-



### Interchangeable Products

- VPG® SENSORTRONICS®  
**65023A**.....page 297
- VPG® CELTRON  
**SQB**.....page 205

### Weigh Module Available

- RICE LAKE WEIGHING SYSTEMS  
**RL50210TA**.....page 43
- RICE LAKE WEIGHING SYSTEMS  
**RL1800 Series**.....page 54

### Specifications

- Full Scale Output:**  
3.0 mV/V ± 0.05%  
mV/V/ohm calibration
- Output Resistance:**  
350 (± 3) ohm
- Input Resistance:**  
400 (± 20) ohm
- Material/Finish:**  
Alloy steel, nickel plated
- Temperature:**  
Compensated range  
-14 °F to 104 °F (-10 °C to 40 °C)  
Operating range  
0 °F to 150 °F (-18 °C to 65 °C)
- Seal Type:**  
Environmentally sealed, IP66
- Safe Overload:**  
150% full scale
- Safe Sideload:**  
100% full scale
- Rated Excitation:**  
10 VDC (15 V maximum)
- Combined Error:**  
0.017% full scale
- Insulation Resistance:**  
> 5,000 megohm
- Deflection:**  
0.2 to 0.4 mm
- Cable Length:**  
20 ft
- Cable Color Code:**  
Red +Excitation  
Black -Excitation  
Green +Signal  
White -Signal
- Warranty:**  
Two-year limited
- Approvals:**  
NTEP 18-106  
cFMus FM18US0307X

RICE LAKE  
LOAD CELLS



Picture is a representation of actual product.

**Approvals**



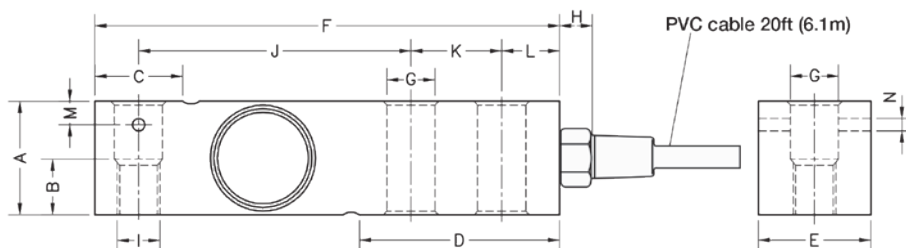
**Order Information**

Load Rating	Part #	Est. Weight	Price
<b>NTEP Certified</b>			
1,000 lb	207842	2 lb	\$344.00
1,500 lb	207843	2 lb	\$344.00
2,000 lb	207844	2 lb	\$344.00
2,500 lb	207845	2 lb	\$344.00
3,000 lb	207846	5 lb	\$344.00
4,000 lb	207847	5 lb	\$344.00
5,000 lb SE	207848	5 lb	\$344.00
5,000 lb LE	207850	5 lb	\$434.00
10,000 lb	207851	5 lb	\$434.00
<b>Non-NTEP Certified</b>			
15,000 lb	207852	10 lb	\$715.00
20,000 lb	207853	10 lb	\$715.00

SE=small envelope; LE=large envelope

**Dimensions**

Rated Capacity	A	B	C	D	E	F	G	H	I	J	K	L	M	N
1,000 to 5,000 SE	1.24	0.59	0.96	2.20	1.24	5.12	0.53	0.70	1/2-20 UNF	3.00	1.00	0.62	0.25	0.13
5,000 LE to 10,000	1.50	-	1.45	2.99	1.50	6.75	0.80	0.70	3/4-16 UNF	3.75	1.50	0.75	-	-
15,000 to 20,000	2.00	-	-	4.00	2.00	8.75	1.06	-	1-14 UNS	4.90	2.00	1.00	-	-



**Interchangeable Products**

- VPG® SENSORTRONICS®  
**65023A**.....page 297
- VPG® CELTRON  
**SQB**.....page 205

**Weigh Module Available**

- RICE LAKE WEIGHING SYSTEMS  
**RL50210TA**.....page 43
- RICE LAKE WEIGHING SYSTEMS  
**RL1800 Series**.....page 54

**Specifications**

- Full Scale Output:**  
3.0 mV/V ± 0.05%  
mV/V/ohm calibration
- Output Resistance:**  
350 (± 3) ohm
- Input Resistance:**  
400 (± 20) ohm
- Material/Finish:**  
Alloy steel, nickel plated, coated
- Temperature:**  
Compensated range  
-14 °F to 104 °F (-10 °C to 40 °C)  
Operating range  
0 °F to 150 °F (-18 °C to 65 °C)
- Seal Type:**  
Environmentally sealed, IP66
- Safe Overload:**  
150% full scale
- Safe Sideload:**  
100% full scale
- Rated Excitation:**  
10 VDC (15 V maximum)
- Combined Error:**  
0.017% full scale
- Insulation Resistance:**  
> 5,000 megohm
- Deflection:**  
0.2 to 0.4 mm
- Cable Length:**  
20 ft
- Cable Color Code:**  
Red +Excitation  
Black -Excitation  
Green +Signal  
White -Signal
- Warranty:**  
Two-year limited
- Approvals:**  
cFMus  
NTEP 18-106

**RICE LAKE  
LOAD CELLS**

SINGLE-ENDED BEAM  
**RL32018S**

Stainless Steel, Environmentally Sealed, NTEP Certified 1:5,000 Class III Multiple Cell, IP66



Picture is a representation of actual product.

Approvals



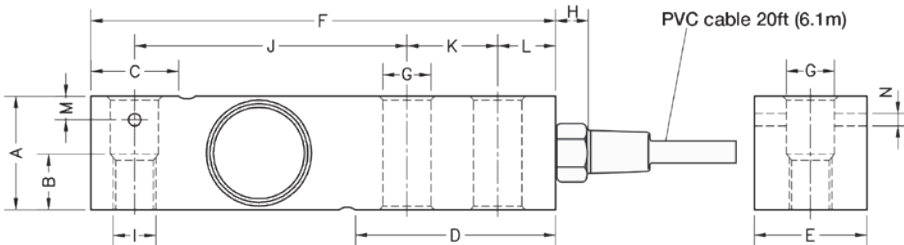
Order Information

Load Rating	Part #	Est. Weight	Price
<b>NTEP Certified</b>			
500 lb	<b>189163</b>	3 lb	\$344.00
1,000 lb	<b>189164</b>	3 lb	\$344.00
2,000 lb	<b>189165</b>	3 lb	\$344.00
2,500 lb	<b>189166</b>	3 lb	\$344.00
4,000 lb	<b>189167</b>	3 lb	\$344.00
5,000 lb SE	<b>189168</b>	3 lb	\$344.00
5,000 lb LE	<b>189169</b>	5 lb	\$440.00
10,000 lb	<b>189170</b>	5 lb	\$440.00
<b>Non-NTEP Certified</b>			
250 lb	<b>189162</b>	3 lb	\$344.00
15,000 lb*	<b>189171</b>	10 lb	\$736.00
20,000 lb*	<b>189172</b>	10 lb	\$736.00

SE=small envelope; LE=large envelope  
\*Pending NTEP

Dimensions

Rated Capacity	A	B	C	D	E	F	G	H	I	J	K	L	M	N
lb/in														
250 to 500	1.00	0.59	0.96	2.20	1.24	5.12	0.53	0.70	1/2-20 UNF	3.00	1.00	0.62	0.25	0.13
1,000 to 5,000 SE	1.24	0.59	0.96	2.20	1.24	5.12	0.53	0.70	1/2-20 UNF	3.00	1.00	0.62	0.25	0.13
5,000 LE to 10,000	1.50	-	1.45	2.99	1.50	6.75	0.80	0.70	3/4-16 UNF	3.75	1.50	0.75	-	-
15,000 to 20,000	2.00	-	-	4.00	2.00	8.75	1.06	-	1-14 UNS	4.90	2.00	1.00	-	-



Interchangeable Products

- RICE LAKE WEIGHING SYSTEMS  
**RL35023S** ..... page 127
- VPG® SENSORTRONICS®  
**65023S** ..... page 299
- VPG® SENSORTRONICS®  
**65023SS** ..... page 298
- VPG® CELTRON  
**SQB-HSS** ..... page 206

Weigh Module Available

- RICE LAKE WEIGHING SYSTEMS  
**RL50210TA** ..... page 43
- RICE LAKE WEIGHING SYSTEMS  
**RL1800 Series** ..... page 54

Specifications

- Full Scale Output:**  
3.0 mV/V ± 0.05%  
mV/V/ohm calibration
- Output Resistance:**  
350 (± 3) ohm
- Input Resistance:**  
400 (± 20) ohm
- Material/Finish:**  
Stainless steel
- Temperature:**  
Compensated range  
14 °F to 104 °F (-10 °C to 40 °C)  
Operating range  
0 °F to 150 °F (-18 °C to 65 °C)

**Seal Type:**  
Environmentally sealed, IP66

**Safe Overload:**  
150% full scale

**Rated Excitation:**  
10 VDC (15 V maximum)

**Combined Error:**  
0.017% full scale

**Insulation Resistance:**  
> 5,000 megohm

**Deflection:**  
0.2 to 0.4 mm

**Cable Length:**  
20 ft

**Cable Color Code:**  
Red +Excitation  
Black -Excitation  
Green +Signal  
White -Signal

**Warranty:**  
Two-year limited

**Approvals:**  
cFMus  
NTEP 18-106

RICE LAKE  
LOAD CELLS



Picture is a representation of actual product.

**Approvals**



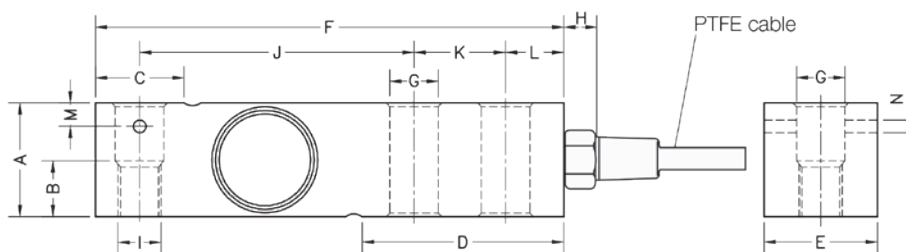
**Order Information**

Load Rating	Part #	Est. Weight	Price
1,000 lb	<b>190654</b>	3 lb	\$371.00
2,000 lb	<b>190655</b>	3 lb	\$371.00
2,500 lb	<b>190656</b>	3 lb	\$371.00
4,000 lb	<b>190657</b>	3 lb	\$371.00
5,000 lb SE	<b>190658</b>	3 lb	\$371.00
5,000 lb LE	<b>190659</b>	5 lb	\$418.00
10,000 lb	<b>190660</b>	5 lb	\$418.00

SE=small envelope; LE=large envelope

**Dimensions**

Rated Capacity	A	B	C	D	E	F	G	H	I	J	K	L	M	N
lb/in														
1,000 to 5,000 SE	1.24	0.59	0.96	2.20	1.25	5.12	0.53	0.70	1/2-20 UNF	3.00	1.00	0.62	0.25	0.13
5,000 LE to 10,000	1.50	—	1.45	2.99	1.50	6.75	0.80	0.70	3/4-16 UNF	3.75	1.50	0.75	—	—



**Interchangeable Products**

- RICE LAKE WEIGHING SYSTEMS
- RL32018S-HE**..... page 118
- VPG® SENSORTRONICS®
- 65083**..... page 300
- VPG® CELTRON
- SQB-HSS**..... page 206

**Weigh Module Available**

- RICE LAKE WEIGHING SYSTEMS
- RL1800 Series**..... page 54

**Specifications**

- Full Scale Output:**  
3.0 mV/V ± 0.05%  
mV/V/ohm calibration
- Output Resistance:**  
350 (± 3) ohm
- Input Resistance:**  
400 (± 20) ohm
- Material/Finish:**  
Stainless steel
- Temperature:**  
Compensated range  
-14 °F to 104 °F (-10 °C to 40 °C)  
Operating range  
0 °F to 150 °F (-18 °C to 65 °C)
- Seal Type:**  
Hermetically sealed, IP69K
- Safe Overload:**  
150% full scale
- Safe Sideload:**  
100% full scale
- Rated Excitation:**  
10 VDC (15 V maximum)
- Combined Error:**  
0.017% full scale
- Insulation Resistance:**  
> 5,000 megohm
- Deflection:**  
0.2 to 0.4 mm
- Cable Length:**  
20 ft PTFE cable
- Cable Color Code:**  
Red +Excitation  
Black -Excitation  
Green +Signal  
White -Signal
- Warranty:**  
Two-year limited
- Approvals:**  
cFMus

**RICE LAKE  
LOAD CELLS**

# RL32018S-HE

Stainless Steel, Hermetically Sealed, NTEP Certified 1:5,000 Class III Multiple Cell, IP69K



Picture is a representation of actual product.

### Approvals



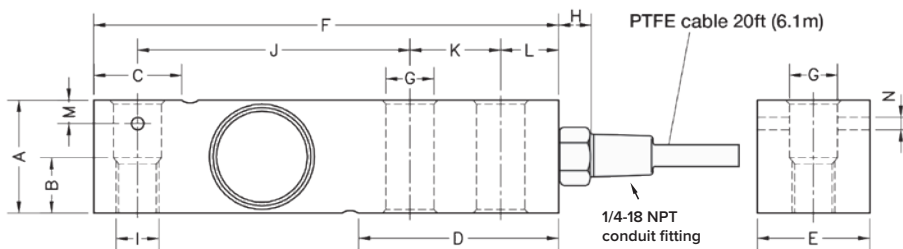
### Order Information

Load Rating	Part #	Est. Weight	Price
500 lb	189175	3 lb	\$429.00
1,000 lb	189176	3 lb	\$429.00
2,000 lb	189178	3 lb	\$429.00
2,500 lb	189179	3 lb	\$429.00
4,000 lb	189181	3 lb	\$429.00
5,000 lb SE	208667	3 lb	\$429.00
5,000 lb LE	189182	5 lb	\$477.00
10,000 lb	189183	5 lb	\$477.00

SE=small envelope; LE=large envelope

### Dimensions

Rated Capacity	A	B	C	D	E	F	G	H	I	J	K	L	M	N
lb/in														
500 to 5,000 SE	1.24	0.59	0.96	2.20	1.24	5.12	0.53	0.70	1/2-20 UNF	3.00	1.00	0.62	0.25	0.13
5,000 to 10,000	1.50	0.75	1.45	2.99	1.50	6.75	0.80	0.70	3/4-16 UNF	3.75	1.50	0.75	-	-



RICE LAKE  
LOAD CELLS

### Interchangeable Products

RICE LAKE WEIGHING SYSTEMS

**RL32018S-P** (non-NTEP) .. page 117

VPG® SENSORTRONICS®

**65083**..... page 300

VPG® CELTRON

**SQB-HSS**..... page 206

### Weigh Module Available

RICE LAKE WEIGHING SYSTEMS

**RL1800 Series**..... page 54

### Specifications

**Full Scale Output:**

3.0 mV/V ± 0.05%  
mV/V/ohm calibration

**Output Resistance:**

350 (± 3) ohm

**Input Resistance:**

400 (± 20) ohm

**Material/Finish:**

Stainless steel

**Temperature:**

Compensated range  
14 °F to 104 °F (-10 °C to 40 °C)  
Operating range  
0 °F to 200 °F (-18 °C to 93 °C)

**Seal Type:**

Hermetically sealed, IP69K

**Safe Overload:**

150% full scale

**Safe Sideload:**

100% full scale

**Rated Excitation:**

5 to 10 VDC (15 V maximum)

**Combined Error:**

0.017% full scale

**Insulation Resistance:**

> 5,000 megohm

**Cable Length:**

20 ft PTFE cable

**Cable Color Code:**

Red +Excitation  
Black -Excitation  
Green +Signal  
White -Signal

**Warranty:**

Two-year limited

**Approvals:**

cFMus  
NTEP 18-106





Picture is a representation of actual product.

**Approvals**



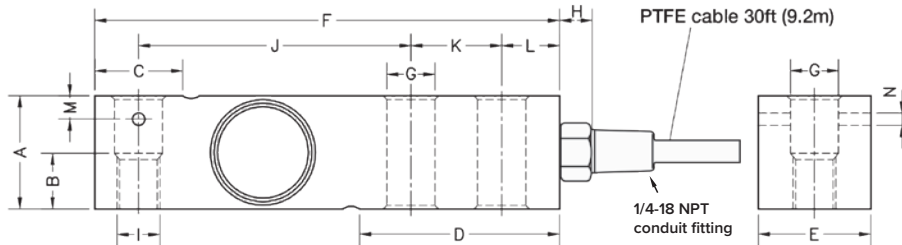
**Order Information**

Load Rating	Part #	Est. Weight	Price
1,000 lb	191629	4 lb	\$482.00
2,500 lb	191630	4 lb	\$482.00
4,000 lb	191631	4 lb	\$482.00
5,000 lb SE	208668	4 lb	\$482.00
5,000 lb LE	191632	6 lb	\$535.00
10,000 lb	191633	6 lb	\$535.00

SE=small envelope; LE=large envelope

**Dimensions**

Rated Capacity lb/in	A	B	C	D	E	F	G	H	I	J	K	L	M	N
1,000 to 5,000 SE	1.24	0.59	0.96	2.20	1.24	5.12	0.53	0.70	1/2-20 UNF	3.00	1.00	0.62	0.25	0.13
5,000 LE to 10,000	1.50	0.75	1.45	2.99	1.50	6.75	0.80	0.70	3/4-16 UNF	3.75	1.50	0.75	—	—



**Interchangeable Products**

RICE LAKE WEIGHING SYSTEMS  
**RL35082**  
VPG® SENSORTRONICS®  
**65083S** (20 ft cable).....page 301

**Specifications**

**Full Scale Output:**

2.0 mV/V ± 0.05%  
mV/V/ohm calibration

**Output Resistance:**

350 (± 3) ohm

**Input Resistance:**

400 (± 20) ohm

**Material/Finish:**

Stainless steel

**Temperature:**

Compensated range  
14 °F to 104 °F (-10 °C to 40 °C)  
Operating range  
0 °F to 200 °F (-18 °C to 93 °C)

**Seal Type:**

Hermetically sealed, IP69K

**Safe Overload:**

150% full scale

**Rated Excitation:**

5 to 10 VDC (15 V maximum)

**Combined Error:**

0.017% full scale

**Insulation Resistance:**

> 5,000 megohm

**Deflection:**

0.2 to 0.4 mm

**Cable Length:**

30 ft PTFE cable

**Cable Color Code:**

Red +Excitation  
Black -Excitation  
Green +Signal  
White -Signal

**Warranty:**

Two-year limited

**Approvals:**

cFMus  
NTEP 18-106

# RL32218S-HE

Stainless Steel, Hermetically Sealed, NTEP Certified 1:5,000 Class III Multiple Cell, IP69K



Picture is a representation of actual product.

### Approvals



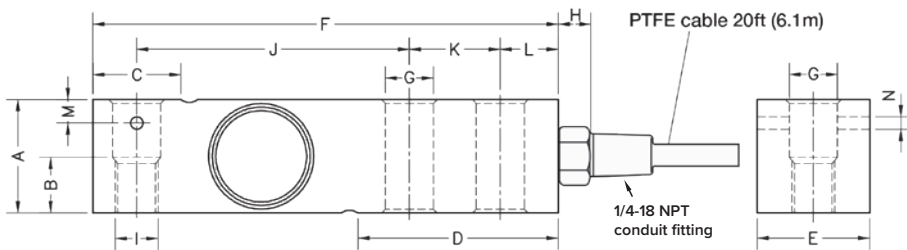
### Order Information

Load Rating	Part #	Est. Weight	Price
1,000 lb	191634	3 lb	\$429.00
2,500 lb	191635	3 lb	\$429.00
4,000 lb	191636	3 lb	\$429.00
5,000 lb SE	208669	3 lb	\$429.00
5,000 lb LE	191637	5 lb	\$477.00
10,000 lb	191638	5 lb	\$477.00

SE=small envelope; LE=large envelope

### Dimensions

Rated Capacity	A	B	C	D	E	F	G	H	I	J	K	L	M	N
1,000 to 5,000 SE	1.24	0.59	0.96	2.20	1.24	5.12	0.53	0.70	1/2-20 UNF	3.00	1.00	0.62	0.25	0.13
5,000 LE to 10,000	1.50	0.75	1.45	2.99	1.50	6.75	0.80	0.70	3/4-16 UNF	3.75	1.50	0.75	-	-



RICE LAKE  
LOAD CELLS

### Interchangeable Products

RICE LAKE WEIGHING SYSTEMS  
**RL35082**  
 VPG® SENSORTRONICS®  
**65083S**..... page 301

### Weigh Module Available

RICE LAKE WEIGHING SYSTEMS  
**RL50210TA**..... page 43  
 RICE LAKE WEIGHING SYSTEMS  
**RL1800 Series**..... page 54

### Specifications

- Full Scale Output:**  
2.0 mV/V ± 0.05%  
mV/V/ohm calibration
- Output Resistance:**  
350 (± 3) ohm
- Input Resistance:**  
400 (± 20) ohm
- Material/Finish:**  
Stainless steel
- Temperature:**  
Compensated range  
14 °F to 104 °F (-10 °C to 40 °C)  
Operating range  
0 °F to 200 °F (-18 °C to 93 °C)
- Seal Type:**  
Hermetically sealed, IP69K
- Safe Overload:**  
150% full scale
- Rated Excitation:**  
5 to 10 VDC (15 V maximum)
- Combined Error:**  
0.017% full scale
- Insulation Resistance:**  
> 5,000 megohm
- Cable Length:**  
20 ft PTFE cable
- Cable Color Code:**  
Red +Excitation  
Black -Excitation  
Green +Signal  
White -Signal
- Warranty:**  
Two-year limited
- Approvals:**  
cFMus  
NTEP 18-106



Picture is a representation of actual product.

**Approvals**

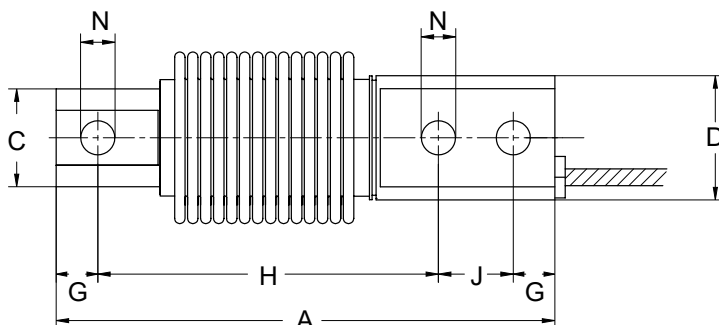
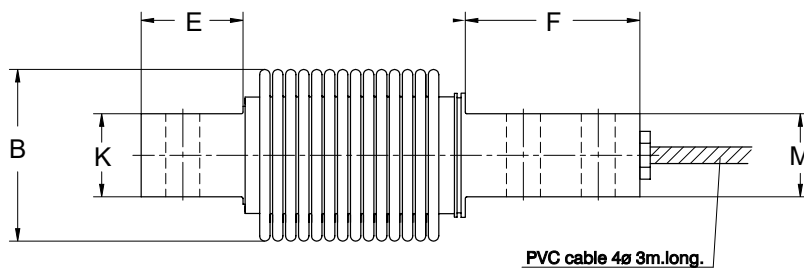


**Order Information**

Load Rating	Part #	Est. Weight	Price
<b>NTEP Certified</b>			
5 kg	188691	2 lb	\$524.00
10 kg	188692	2 lb	\$524.00
20 kg	188693	2 lb	\$524.00
30 kg	188694	2 lb	\$524.00
50 kg	188702	2 lb	\$524.00
75 kg	188695	2 lb	\$524.00
100 kg	188696	2 lb	\$524.00
200 kg	188697	2 lb	\$524.00
250 kg	188698	2 lb	\$524.00
300 kg	188699	2 lb	\$524.00
500 kg	188700	2 lb	\$524.00

**Dimensions**

Rated Capacity	A	B	C	D	E	F	G	H	J	K	M	N
kg/mm												
5 to 500	120.0	41.5	23.5	30.0	24.5	42.0	10.0	82.0	18.0	20.0	20.0	8.2



**Interchangeable Products**

RICE LAKE WEIGHING SYSTEMS  
**RLHBB**

**Specifications**

- Full Scale Output:**  
2.0 mV/V ± 10%  
mV/V/ohm calibration
- Output Resistance:**  
350 (± 3) ohm
- Input Resistance:**  
400 (± 20) ohm
- Material/Finish:**  
Stainless steel
- Temperature:**  
Compensated range  
14 °F to 104 °F (-10 °C to 40 °C)  
Operating range  
0 °F to 150 °F (-18 °C to 65 °C)
- Seal Type:**  
Hermetically sealed, IP68/IP69K
- Safe Overload:**  
150% full scale
- Rated Excitation:**  
5 to 10 VDC (15 V maximum)
- Combined Error:**  
0.017% full scale
- Insulation Resistance:**  
> 5,000 megohm
- Deflection:**  
0.2 to 0.4 mm
- Cable Length:**  
3 m
- Cable Material:**  
PVC
- Cable Color Code:**  
Blue +Excitation  
Black -Excitation  
White +Signal  
Red -Signal  
Green +Sense  
Yellow -Sense
- Warranty:**  
Two-year limited
- Approvals:**  
NTEP 18-107  
OIML R60/2017-A-NL1-19.27  
cFmus FM18US0307X

**RICE LAKE  
LOAD CELLS**

# SINGLE-ENDED BEAM RL30000I

Alloy Steel, Environmentally Sealed, NTEP Certified 1:5,000 IIIIL Class III Multiple Cell, IP67



Picture is a representation of actual product.

## Approvals



## Order Information

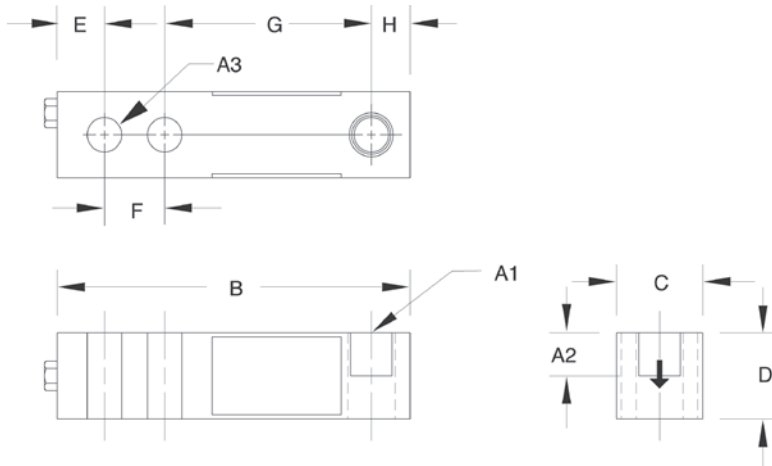
Load Rating	Part #	Est. Weight	Price
<b>NTEP Certified</b>			
1,000 lb	21491	3 lb	\$312.00
2,000 lb	21493	3 lb	\$312.00
2,500 lb	21495	3 lb	\$312.00
3,000 lb	21497	3 lb	\$312.00
4,000 lb	21498	3 lb	\$312.00
5,000 lb SE	21500	3 lb	\$312.00
5,000 lb LE	21501	5 lb	\$398.00
10,000 lb	21503	5 lb	\$398.00
<b>Non-NTEP Certified</b>			
250 lb	17341	3 lb	\$312.00
500 lb	17342	3 lb	\$312.00
20,000 lb	17109	10 lb	\$684.00
<b>Conduit Adapter Kit (must be factory installed to maintain warranty)</b>			
3/8-24 nipple	31533*	1 lb	\$37.00
3/8-24 to 1/4-18 NPT	31534*	1 lb	\$37.00

SE=small envelope; LE=large envelope

\* PN 31533 and PN 31534 must be installed together to form the Conduit Adapter Kit

## Dimensions

Rated Capacity	A1	A2	A3	B	C	D	E	F	G	H
250 to 5,000 SE	1/2-20 UNF	0.60	0.53	5.12	1.25	1.25	0.62	1.00	3.00	0.50
5,000 LE to 10,000	3/4-16 UNF	0.75	0.78	6.75	1.50	1.50	0.75	1.50	3.75	0.75
20,000	1-14 UNF	1.00	1.03	8.75	2.00	2.00	1.00	2.00	4.75	1.00



## Interchangeable Products

VPG® REVERE

**5123**..... page 262

VPG® TEDEA-HUNTLEIGH

**3411**..... page 322

ARTECH®

**30310**

## Weigh Module Available

RICE LAKE WEIGHING SYSTEMS

**RL50210TA**.....page 43

RICE LAKE WEIGHING SYSTEMS

**RL1800 Series**..... page 54

## Specifications

### Full Scale Output:

3.0 mV/V

### Bridge Resistance:

350 ohm, nominal

### Material/Finish:

High-alloy steel, nickel plated

### Temperature:

Compensated range

14 °F to 104 °F (-10 °C to 40 °C)

Operating range

0 °F to 150 °F (-18 °C to 65 °C)

### Seal Type:

Environmentally sealed, IP67

### Safe Overload:

150% full scale

### Safe Sideload:

100% full scale

### Rated Excitation:

5 to 10 VAC/DC (15V maximum)

### Combined Error:

0.02% full scale

### Insulation Resistance:

5,000 megohm

### Deflection at Capacity:

250 to 1,000 lb: 0.013 in

2,000 to 3,000 lb: 0.015 in

4,000 to 5,000 lb: 0.025 in

10,000 lb: 0.032 in

20,000 lb: 0.038 in

### Cable Length:

20 ft

### Cable Diameter:

0.200 in polyurethane jacket

### Cable Color Code:

Red +Excitation

Black -Excitation

Green +Signal

White -Signal

### Warranty:

Two-year limited

### Approvals:

cFMus

NTEP 98-043

SINGLE-ENDED BEAM  
**RL30002 Thru Hole**

Alloy Steel, Environmentally Sealed, NTEP Certified 1:5,000 IIII Class III Multiple Cell, IP67



Picture is a representation of actual product.

**Approvals**



**Order Information**

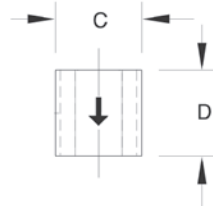
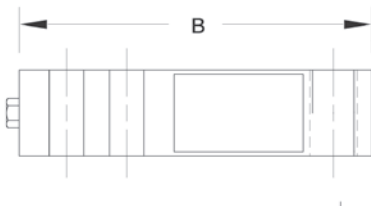
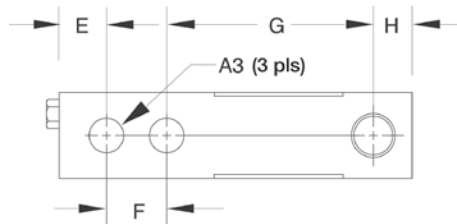
Load Rating	Part #	Est. Weight	Price
<b>NTEP Certified</b>			
1,000 lb	21521	3 lb	\$312.00
2,000 lb	21522	3 lb	\$312.00
2,500 lb	21523	3 lb	\$312.00
4,000 lb	21524	3 lb	\$312.00
5,000 lb SE	21525	3 lb	\$312.00
<b>Conduit Adapter Kit (must be factory installed to maintain warranty)</b>			
3/8-24 nipple	31533*	1 lb	\$37.00
3/8-24 to 1/4-18 NPT	31534*	1 lb	\$37.00

SE=small envelope

\* PN 31533 and PN 31534 must be installed together to form the Conduit Adapter Kit

**Dimensions**

Rated Capacity	A3	B	C	D	E	F	G	H
lb/in								
1,000 to 5,000 SE	0.53	5.12	1.25	1.25	0.62	1.00	3.00	0.50



**Interchangeable Products**

VPG® TEDEA-HUNTLEIGH  
**3410**  
 ARTECH®  
**30210**

**Specifications**

**Full Scale Output:**  
3.0 mV/V

**Bridge Resistance:**  
350 ohm, nominal

**Material/Finish:**  
High-alloy steel, nickel plated

**Temperature:**  
Compensated range  
14 °F to 104 °F (-10 °C to 40 °C)  
Operating range  
0 °F to 150 °F (-18 °C to 65 °C)

**Seal Type:**  
Environmentally sealed, IP67

**Safe Overload:**  
150% full scale

**Safe Sideload:**  
100% full scale

**Rated Excitation:**  
5 to 10 VDC (15 V maximum)

**Combined Error:**  
0.02% full scale

**Insulation Resistance:**  
5,000 megohm

**Deflection at Capacity:**  
1,000 lb: 0.013 in  
2,000 to 3,000 lb: 0.015 in  
4,000 to 5,000 lb: 0.025 in

**Cable Length:**  
20 ft

**Cable Diameter:**  
0.200 in polyurethane jacket

**Cable Color Code:**  
Red +Excitation  
Black -Excitation  
Green +Signal  
White -Signal

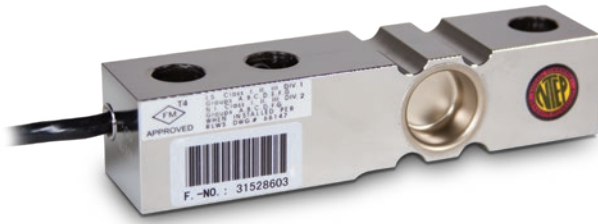
**Warranty:**  
Two-year limited

**Approvals:**  
cFMus  
NTEP 98-043

**RICE LAKE  
LOAD CELLS**

# RLH35

Stainless Steel, Welded Seal, NTEP Certified 1:5,000 Class IIIIL Multiple Cell, IP67



Picture is a representation of actual product.

Approvals

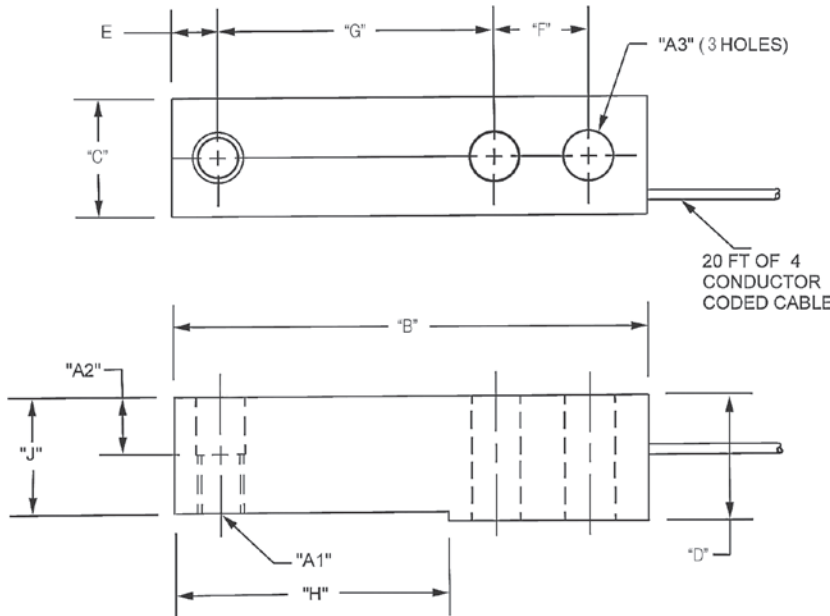


Order Information

Load Rating	Part #	Est. Weight	Price
500 lb	106038	4 lb	\$371.00

Dimensions

Rated Capacity	A1	A2	A3	C	D	B	E	F	G	H	J
500 lb/in	1/2-20 UNF	0.62	0.53	1.21	1.19	5.12	0.50	1.00	3.00	2.85	1.120



Interchangeable Products

- HBK®
- H35 ..... page 238
- METTLER TOLEDO®
- 500 lb-8 ft cable
- TB601019-008
- 1,000 lb-20 ft cable
- TB601016-020
- 2,500 lb-8 ft cable
- TB601016-008

Specifications

- Full Scale Output:**  
3.0 mV/V
- Output Resistance:**  
350 ohm, nominal
- Input Resistance:**  
385 ohm, nominal
- Material/Finish:**  
Stainless steel
- Temperature:**  
Compensated range  
14 °F to 104 °F (-10 °C to 40 °C)  
Operating range  
0 °F to 150 °F (-18 °C to 65 °C)
- Seal Type:**  
Welded-seal, IP67
- Safe Overload:**  
150% full scale
- Rated Excitation:**  
5 to 10 VDC (15 V maximum)
- Combined Error:**  
0.02% full scale
- Insulation Resistance:**  
5,000 megohm
- Deflection at Capacity:**  
0.02 in
- Cable Length:**  
20 ft
- Cable Diameter:**  
0.190 in polyurethane jacket
- Cable Color Code:**  
Green +Excitation  
Black -Excitation  
White +Signal  
Red -Signal  
Yellow Shield
- Warranty:**  
Two-year limited
- Approvals:**  
FM  
NTEP 06-023

RICE LAKE  
LOAD CELLS



Picture is a representation of actual product.

### Approvals



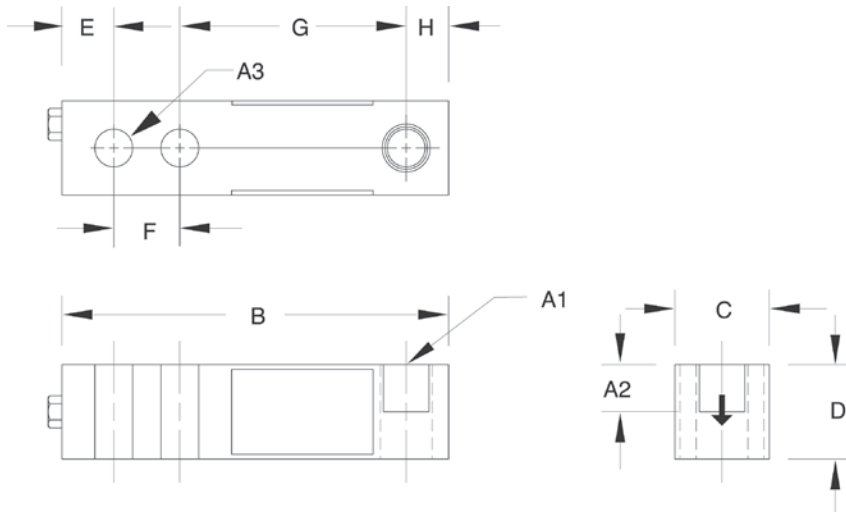
### Order Information

Load Rating	Part #	Est. Weight	Price
<b>20 ft Cables</b>			
250 lb	17386	3 lb	\$344.00
500 lb	17387	3 lb	\$344.00
1,000 lb	17189	3 lb	\$344.00
2,500 lb	17191	3 lb	\$344.00
4,000 lb	17193	3 lb	\$344.00
5,000 lb	17194	5 lb	\$439.00
10,000 lb	17195	5 lb	\$439.00
<b>30 ft Cables</b>			
4,000 lb	95562	3 lb	\$365.00
<b>Conduit Adapter Kit (must be factory installed to maintain warranty)</b>			
3/8-24 nipple	31533*	1 lb	\$37.00
3/8-24 to 1/4-18NPT	31534*	1 lb	\$37.00

\* PN 31533 and PN 31534 must be installed together to form the Conduit Adapter Kit

### Dimensions

Rated Capacity	A1	A2	A3	B	C	D	E	F	G	H
lb/in										
250 to 4,000	1/2-20 UNF	0.60	0.53	5.12	1.25	1.25	0.62	1.00	3.00	0.50
5,000 to 10,000	3/4-16 UNF	0.75	0.78	6.75	1.50	1.50	0.75	1.50	3.75	0.75



### Interchangeable Products

- VPG® REVERE  
**9123**..... page 263
- ARTECH®  
**SS30310**

### Weigh Module Available

- RICE LAKE WEIGHING SYSTEMS  
**RL50210TA**.....page 43
- RICE LAKE WEIGHING SYSTEMS  
**RL1800 Series**..... page 54

### Specifications

- Full Scale Output:**  
3.0 mV/V
- Output Resistance:**  
349 to 355 ohm
- Input Resistance:**  
343 to 357 ohm
- Material/Finish:**  
Stainless steel
- Temperature:**  
Operating range:  
0 °F to 150 °F (-18 °C to 65 °C)
- Seal Type:**  
Environmentally sealed, IP67
- Safe Overload:**  
150% full scale
- Safe Sideload:**  
100% full scale
- Rated Excitation:**  
5 to 10 VDC (15 V maximum)
- Nonlinearity:**  
0.03% full scale
- Hysteresis:**  
0.02% full scale
- Insulation Resistance:**  
5,000 megohm
- Deflection at Capacity:**  
250 to 1,000 lb: 0.013 in  
2,000 to 3,000 lb: 0.015 in  
4,000 to 5,000 lb: 0.025 in  
10,000 lb: 0.32 in
- Cable Length:**  
20 ft  
30 ft
- Cable Diameter:**  
0.200 in polyurethane jacket
- Cable Color Code:**  
Red +Excitation  
Black -Excitation  
Green +Signal  
White -Signal
- Warranty:**  
Two-year limited
- Approvals:**  
cFMus

RICE LAKE  
LOAD CELLS

SINGLE-ENDED BEAM  
**RL32018S-T**

Stainless Steel, Hermetically Sealed, NTEP Certified, 1:5,000 Class III Multiple Cell, IP69K



Picture is a representation of actual product.

Approvals

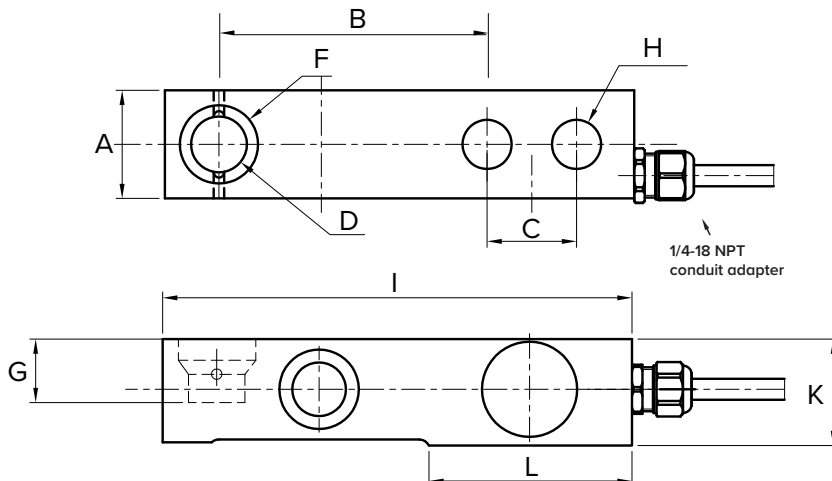


Order Information

Load Rating	Part #	Est. Weight	Price
<b>15 ft Cable</b>			
500 lb	189189	3 lb	\$477.00
1,250 lb	189190	3 lb	\$477.00
2,500 lb	189191	3 lb	\$477.00
5,000 lb	189192	5 lb	\$630.00
10,000 lb	189193	5 lb	\$758.00
<b>30 ft Cable</b>			
500 lb	191974	3 lb	\$503.00
1,250 lb	191975	3 lb	\$503.00
2,500 lb	191976	3 lb	\$503.00
5,000 lb	191977	5 lb	\$662.00
10,000 lb	191978	5 lb	\$790.00
<b>Replacement load pins</b>			
Rocker pin 500 to 2.5 K	108612	1 lb	\$85.00
Rocker pin 5 K	130408	1 lb	\$90.00
Rocker pin 10 K	131376	1 lb	\$130.00
O-ring (two per pin)	108202	1 lb	\$1.00

Dimensions

Rated Capacity	A	B	C	D	F	G	H	I	K	L
500 to 1,250	1.21	3.00	1.00	0.62	0.88	0.68	0.51	5.25	1.19	2.27
2,500	1.21	3.00	1.00	0.62	0.88	0.68	0.51	5.25	1.19	2.27
5,000	1.44	3.00	1.00	0.62	0.88	0.90	0.51	5.38	1.44	2.28
10,000	1.69	3.75	1.50	0.88	1.38	1.15	0.76	6.75	1.69	2.91



Interchangeable Products

- METTLER-TOLEDO®  
**TB600529-500 lb**
- METTLER-TOLEDO  
**TB600363-1,250 lb**
- METTLER-TOLEDO  
**TB600342-2,500 lb**
- METTLER-TOLEDO  
**TB600343-5,000 lb**
- METTLER-TOLEDO  
**TB600364-10,000 lb**
- HBK®  
**THC**

Weigh Module Available

RICE LAKE WEIGHING SYSTEMS  
**RLTM**..... page 58

Specifications

- Full Scale Output:**  
 2.0 mV/V ± 0.05%  
 mV/V/ohm calibration
- Output Resistance:**  
 350 (± 3) ohm
- Input Resistance:**  
 400 (± 20) ohm
- Material/Finish:**  
 Stainless steel
- Temperature:**  
 Compensated range  
 14 °F to 104 °F (-10 °C to 40 °C)  
 Operating range  
 0 °F to 150 °F (-18 °C to 65 °C)
- Seal Type:**  
 Hermetically sealed, IP69K
- Safe Overload:**  
 150% full scale
- Rated Excitation:**  
 5 to 10 VDC
- Combined Error:**  
 0.017% full scale
- Insulation Resistance:**  
 5,000 megohm
- Cable Length:**  
 15 ft  
 30 ft
- Cable Color Code:**  
 Green +Excitation  
 Black -Excitation  
 White +Signal  
 Red -Signal
- Warranty:**  
 Two-year limited
- Approvals:**  
 cFMus  
 NTEP 18-106

RICE LAKE  
LOAD CELLS



SINGLE-ENDED BEAM  
**RL35023S Coated**

Stainless Steel, Environmentally Sealed, NTEP Certified 1:5,000 Class III Multiple Cell, IP67



Picture is a representation of actual product.

**Approvals**



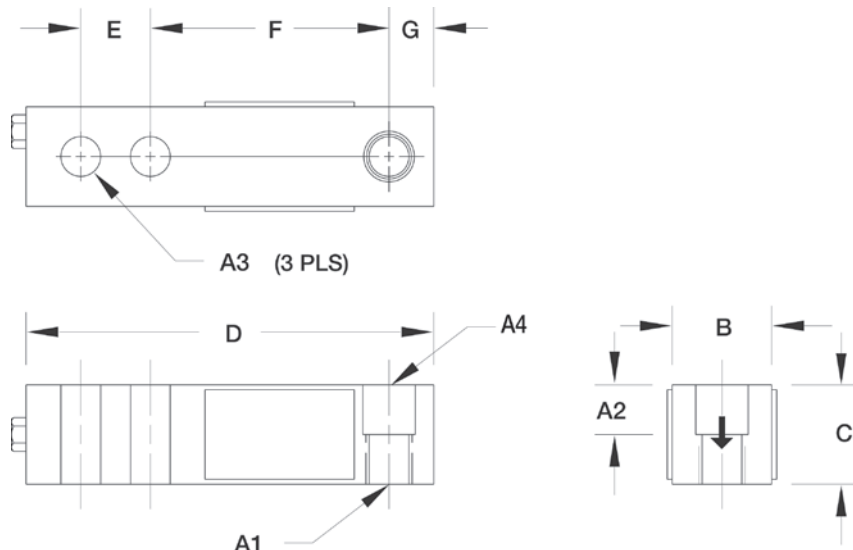
**Order Information**

Load Rating	Part #	Est. Weight	Price
1,000 lb	<b>182754</b>	3 lb	\$371.00
2,000 lb	<b>182755</b>	3 lb	\$371.00
2,500 lb	<b>182756</b>	3 lb	\$371.00
4,000 lb	<b>182757</b>	3 lb	\$371.00
5,000 lb	<b>182758</b>	3 lb	\$466.00
10,000 lb	<b>182759</b>	3 lb	\$466.00
<b>Conduit Adapter Kit (must be factory installed to maintain warranty)</b>			
3/8-24 nipple	<b>31533*</b>	1 lb	\$37.00
3/8-24 to 1/4-18 NPT	<b>31534*</b>	1 lb	\$37.00

\* PN 31533 and PN 31534 must be installed together to form the Conduit Adapter Kit

**Dimensions**

Rated Capacity	A1	A2	A3	A4	B	C	D	E	F	G
1,000 to 4,000	1/2-20 UNF	0.62	0.53	0.53 dia	1.25	1.25	5.12	1.00	3.00	0.50
5,000 to 10,000	3/4-16 UNF	0.75	0.78	0.78 dia	1.50	1.50	6.75	1.50	3.75	0.75



**Interchangeable Products**

VPG® SENSORTRONICS®	
<b>65023S*</b>	..... page 299
VPG® SENSORTRONICS	
<b>65023SS*</b>	..... page 298
VPG® CELTRON	
<b>SQB-HSS*</b>	..... page 206

**Weigh Module Available**

RICE LAKE WEIGHING SYSTEMS	
<b>RL50210TA</b>	.....page 43
RICE LAKE WEIGHING SYSTEMS	
<b>RL1800 Series</b>	..... page 54

\*Cells are uncoated

**Specifications**

- Full Scale Output:** 3.0 mV/V
- Output Resistance:** 349 to 355 ohm
- Input Resistance:** 343 to 357 ohm
- Material/Finish:** Stainless steel, coated
- Temperature:** Compensated range 14 °F to 104 °F (-10 °C to 40 °C)  
Operating range 0 °F to 150 °F (-18 °C to 65 °C)
- Seal Type:** Environmentally sealed, IP67
- Safe Overload:** 150% full scale
- Safe Sideload:** 100% full scale
- Rated Excitation:** 5 to 10 VDC (15 V maximum)
- Combined Error:** 0.02% full scale
- Deflection at Capacity:** 500 to 4,000 lb: 0.017 to 0.025 in  
5,000 to 10,000 lb: 0.025 to 0.035 in
- Cable Length:** 20 ft
- Cable Diameter:** 0.200 in polyurethane jacket
- Cable Color Code:** Red +Excitation  
Black -Excitation  
Green +Signal  
White -Signal
- Insulation Resistance:** 5,000 megohm
- Warranty:** Two-year limited
- Approvals:** cFMus  
NTEP 94-134

RICE LAKE  
LOAD CELLS

# RLHTO

Stainless Steel, Hermetically Sealed, IP66/68



Picture is a representation of actual product.

### Approvals

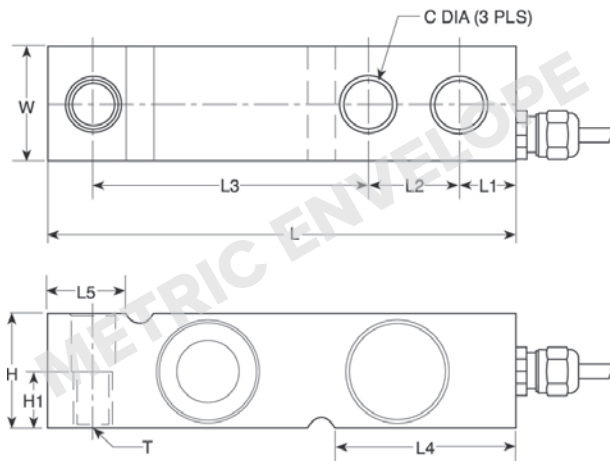


### Order Information

Load Rating	Part #	Est. Weight	Price
500 kg	31253	3 lb	\$514.00
1,000 kg	31250	3 lb	\$514.00
2,000 kg	31251	3 lb	\$514.00
5,000 kg	31252	5 lb	\$588.00

### Dimensions

Rated Capacity	C	H	H1	L	L1	L2	L3	L4	L5	T	W
kg/mm											
500 to 2,000	13.5	32.0	16.0	130.0	15.8	25.4	76.2	50.5	23.5	M12 x 1.75	32.0
5,000	20.5	48.0	—	171.5	19.0	38.1	95.3	70.0	37.0	—	36.5



RICE LAKE  
LOAD CELLS

### Interchangeable Products

VPG® TEDEA-HUNTLEIGH  
3510-OIML ..... page 324

### Weigh Module Available

RICE LAKE WEIGHING SYSTEMS  
1700 HE .....page 33

### Specifications

- Full Scale Output:**  
2.0 mV/V
- Output Resistance:**  
350 (± 3) ohm
- Input Resistance:**  
380 (± 10) ohm
- Material/Finish:**  
Stainless steel
- Temperature:**  
Operating range  
0 °F to 150 °F (-18 °C to 65 °C)
- Seal Type:**  
Hermetically sealed, IP66/68
- Safe Overload:**  
150% full scale
- Safe Sideload:**  
100% full scale
- Rated Excitation:**  
5 to 10 VDC (15 V maximum)
- Combined Error:**  
0.02% applied load
- Insulation Resistance:**  
2,000 megohm
- Deflection at Capacity:**  
0.4 mm
- Cable Length:**  
5 m
- Cable Diameter:**  
0.220 in polyurethane jacket
- Cable Color Code:**  
Blue +Excitation  
Black -Excitation  
White +Signal  
Red -Signal  
Green +Sense  
Grey -Sense
- Warranty:**  
Two-year limited
- Approvals:**  
cFMus



Picture is a representation of actual product.

**Approvals**

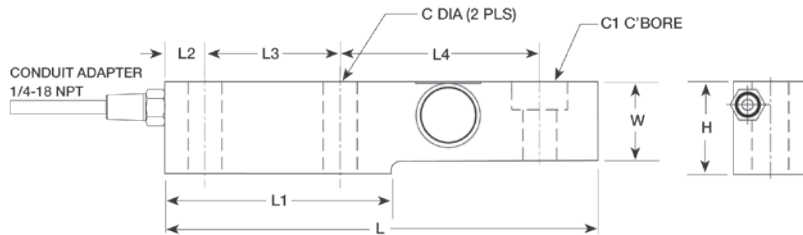


**Order Information**

Load Rating	Part #	Est. Weight	Price
1,000 lb	34310	5 lb	\$636.00
2,000 lb	34311	5 lb	\$636.00
5,000 lb	34312	6 lb	\$636.00
10,000 lb	34313	10 lb	\$758.00
Options			
Load cell button (1 K to 5 K)	26112	—	\$37.00

**Dimensions**

Rated Capacity	C	C1	H	L	L1	L2	L3	L4	W
lb/in									
1,000 to 5,000	0.53	0.68 thru C'Bore 1.19 x 0.47 DP	1.88	8.00	4.00	0.75	2.50	3.88	1.44
10,000	0.88	1.00 thru C'Bore 1.63 x 0.62 DP	2.75	9.25	4.62	0.81	2.63	4.88	1.88



**Interchangeable Products**

- VPG® REVERE
- SSB..... page 270
- HBK®
- SB3
- ARTECH®
- SS30610

**Weigh Module Available**

- RICE LAKE WEIGHING SYSTEMS
- RL1900 Series.....page 57

**Specifications**

- Full Scale Output:**  
2.0 mV/V
- Bridge Resistance:**  
350 ohm, nominal
- Material/Finish:**  
Stainless steel
- Temperature:**  
Compensated range  
14 °F to 104 °F (-10 °C to 40 °C)  
Operating range  
0 °F to 150 °F (-18 °C to 65 °C)
- Seal Type:**  
Welded-seal, IP67
- Safe Overload:**  
150% full scale
- Safe Sideload:**  
100% full scale
- Rated Excitation:**  
5 to 10 VDC (15 V maximum)
- Combined Error:**  
0.02% full scale
- Non-repeatability:**  
0.01% full scale
- Insulation Resistance:**  
5,000 megohm
- Cable Length:**  
15 ft
- Cable Diameter:**  
0.200 in polyurethane jacket
- Cable Color Code:**  
Green +Excitation  
Black -Excitation  
White +Signal  
Red -Signal
- Warranty:**  
Two-year limited
- Approvals:**  
cFMus  
NTEP 96-053

**RICE LAKE  
LOAD CELLS**

# RLSB250/RLSB250T

Stainless Steel, Welded Seal, NTEP Certified 1:5,000 Class III Multiple Cell, IP67



Picture is a representation of actual product.

### Approvals

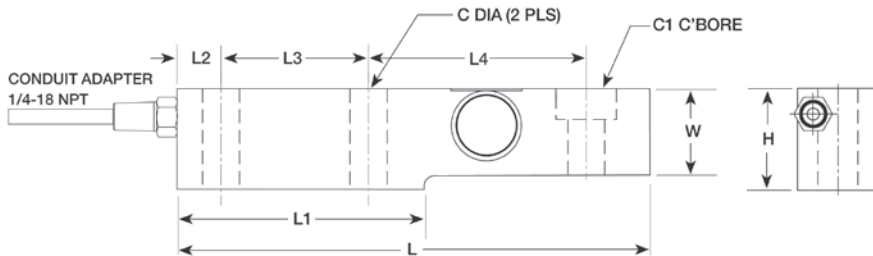


### Order Information

Load Rating	Part #	Est. Weight	Price
<b>Threaded</b>			
2,500 lb	116053	6 lb	\$636.00
5,000 lb	116054	6 lb	\$742.00
<b>Thru Hole</b>			
2,500 lb	34482	6 lb	\$636.00
10,000 lb	116055	10 lb	\$742.00
<b>Options</b>			
Load cell button	116084	—	\$11.00

### Dimensions

Rated Capacity	C	C1	H	L	L1	L2	L3	L4	T	W
lb/in										
2,500	0.53	1.20 x 0.75 DP	1.93	8.00	4.00	0.75	2.50	3.88	3/4-16 UNF	1.25
5,000	0.53	1.20 x 0.75 DP	1.93	8.00	4.00	0.75	2.50	3.88	3/4-16 UNF	1.45
10,000	—	1.20 x 0.75 DP	2.46	9.00	4.00	0.75	2.00	5.25	—	1.62



### Interchangeable Products

CARDINAL®  
**SB2500\***  
 \*No threads in load hole

### Specifications

- Full Scale Output:** 2.0 mV/V
- Bridge Resistance:** 350 ohm, nominal
- Material/Finish:** Stainless steel
- Temperature:** Compensated range 14 °F to 104 °F (-10 °C to 40 °C)  
Operating range 0 °F to 150 °F (-18 °C to 65 °C)
- Seal Type:** Welded-seal, IP67
- Safe Overload:** 150% full scale
- Safe Sideload:** 100% full scale
- Rated Excitation:** 5 to 10 VDC (15 V maximum)
- Combined Error:** 0.02% full scale
- Non-repeatability:** 0.01% full scale
- Insulation Resistance:** 5,000 megohm
- Cable Length:** 15 ft - PN 34482  
20 ft
- Cable Diameter:** 0.200 in polyurethane jacket
- Cable Color Code:** Green +Excitation  
Black -Excitation  
White +Signal  
Red -Signal
- Warranty:** Two-year limited
- Approvals:** cFMus  
NTEP 96-053

RICE LAKE  
LOAD CELLS

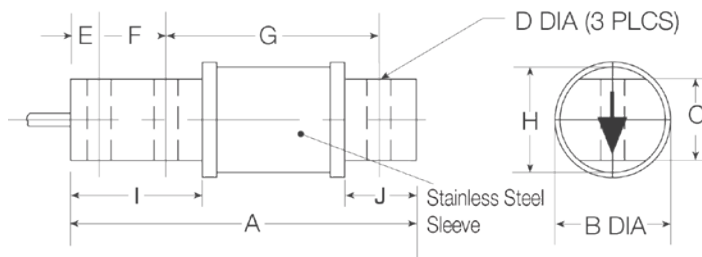


### Dimensions

Rated Capacity	A	B	C	D	E	F	G	H	I	J
lb/in										
25 to 500	2.81	1.30	0.62	0.26	0.25	0.50	1.81	1.00	1.00	0.50

### Order Information

Load Rating	Part #	Est. Weight	Price
25 lb	<b>194014</b>	2 lb	\$450.00
50 lb	<b>194015</b>	2 lb	\$450.00
75 lb	<b>194016</b>	2 lb	\$450.00
100 lb	<b>194017</b>	2 lb	\$450.00
150 lb	<b>194018</b>	2 lb	\$450.00
250 lb	<b>194019</b>	2 lb	\$450.00
500 lb	<b>194020</b>	2 lb	\$450.00



### Interchangeable Products

- RICE LAKE WEIGHING SYSTEMS  
**RL60040SST** ..... page 133
- RICE LAKE WEIGHING SYSTEMS  
**RL50210** (alloy) ..... page 132

### Weigh Module Available

- RICE LAKE WEIGHING SYSTEMS  
**RL50219SS-TA** ..... page 47

### Specifications

- Full Scale Output:**  
3.0 mV/V
- Output Resistance:**  
350 ( $\pm 3$ ) ohm
- Input Resistance:**  
380 to 450 ohm
- Material/Finish:**  
Stainless steel
- Temperature:**  
Operating range  
0 °F to 150 °F (-18 °C to 65 °C)
- Seal Type:**  
Environmentally sealed, IP67
- Safe Overload:**  
150% full scale
- Rated Excitation:**  
5 to 10 VDC
- Nonlinearity:**  
0.03% full scale
- Hysteresis:**  
0.02% full scale
- Combined Error:**  
0.017% full scale
- Insulation Resistance:**  
5,000 megohm
- Cable Length:**  
20 ft
- Cable Color Code:**  
Red +Excitation  
Black -Excitation  
Green +Signal  
White -Signal
- Warranty:**  
Two-year limited

# RL50210

Alloy Steel, Environmentally Sealed, IP65



Picture is a representation of actual product.

### Approvals

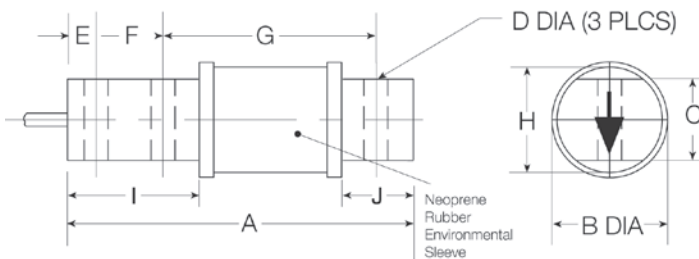


### Order Information

Load Rating	Part #	Est. Weight	Price
25 lb	17385	2 lb	\$260.00
50 lb	17380	2 lb	\$260.00
100 lb	17381	2 lb	\$260.00
150 lb	17382	2 lb	\$260.00
250 lb	17383	2 lb	\$260.00
500 lb	17384	2 lb	\$260.00

### Dimensions

Rated Capacity	A	B	C	D	E	F	G	H	I	J
lb/in										
25 to 500	2.81	1.30	0.62	0.26	0.25	0.50	1.81	1.00	1.00	0.50



RICE LAKE  
LOAD CELLS

### Interchangeable Products

- RICE LAKE WEIGHING SYSTEMS  
**RL50219SS**.....page 131
- VPG® SENSORTRONICS®  
**60040** ..... page 302
- ARTECH®  
**50210**
- VPG® REVERE  
**5503**

### Weigh Module Available

- RICE LAKE WEIGHING SYSTEMS  
**RL50210TA**.....page 43

### Specifications

- Full Scale Output:**  
3.0 mV/V
- Output Resistance:**  
349 to 355 ohm
- Input Resistance:**  
360 to 450 ohm
- Material/Finish:**  
High-alloy steel, nickel plated
- Temperature:**  
Operating range  
0 °F to 150 °F (-18 °C to 65 °C)
- Seal Type:**  
Environmentally sealed with neoprene sleeve, IP65
- Safe Overload:**  
150% full scale
- Rated Excitation:**  
5 to 10 VDC (15 V maximum)
- Nonlinearity:**  
0.03% full scale
- Hysteresis:**  
0.02% full scale
- Insulation Resistance:**  
5,000 megohm
- Deflection at Capacity:**  
25 to 50 lb: 0.008 in  
100 lb: 0.010 in  
150 lb: 0.012 in  
250 lb: 0.016 in  
500 lb: 0.025 in
- Cable Length:**  
20 ft
- Cable Diameter:**  
0.200 in polyurethane jacket
- Cable Color Code:**  
Red +Excitation  
Black -Excitation  
Green +Signal  
White -Signal
- Warranty:**  
Two-year limited
- Approvals:**  
cFMus

Limited Stock Available

SINGLE-ENDED BEAM  
**RL60040SST**

Stainless Steel, Environmentally Sealed, IP65



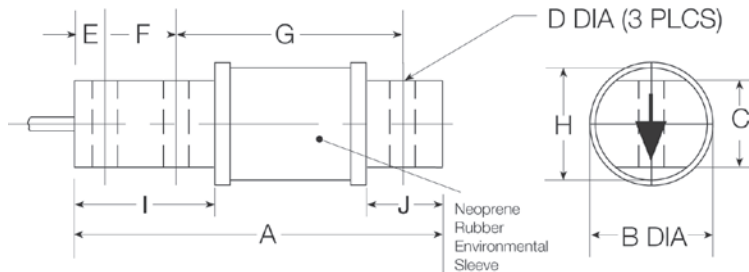
Picture is a representation of actual product.

**Order Information**

Load Rating	Part #	Est. Weight	Price
50 lb	101973	3 lb	\$450.00
250 lb	101977	3 lb	\$450.00

**Dimensions**

Rated Capacity	A	B	C	D	E	F	G	H	I	J
lb/in										
25 to 250	2.81	1.30	0.62	0.26	0.25	0.50	1.81	1.00	1.00	0.50



**Interchangeable Products**

- RICE LAKE WEIGHING SYSTEMS
- RL50219SS.....page 131
- VPG® SENSORTRONICS\*
- 60040.....page 302
- ARTECH\*\*
- 50210
- VPG® REVERE\*
- 5503

**Weigh Module Available**

- RICE LAKE WEIGHING SYSTEMS
- RL50210TA.....page 43
- \*Alloy steel

**Specifications**

- Full Scale Output:**  
3.0 mV/V
- Output Resistance:**  
349 to 355 ohm
- Input Resistance:**  
380 to 450 ohm
- Material/Finish:**  
Stainless steel
- Temperature:**  
Operating range  
0 °F to 150 °F (-18 °C to 65 °C)
- Seal Type:**  
Environmentally sealed with neoprene sleeve, IP65
- Safe Overload:**  
150% full scale
- Rated Excitation:**  
5 to 10 VDC (15 V maximum)
- Nonlinearity:**  
0.03% full scale
- Hysteresis:**  
0.02% full scale
- Insulation Resistance:**  
5,000 megohm
- Deflection at Capacity:**  
25 to 50 lb: 0.008 in  
100 lb: 0.010 in  
150 lb: 0.012 in  
250 lb: 0.016 in  
500 lb: 0.025 in
- Cable Length:**  
20 ft
- Cable Diameter:**  
0.200 in polyurethane jacket
- Cable Color Code:**  
Red +Excitation  
Black -Excitation  
Green +Signal  
White -Signal
- Warranty:**  
Two-year limited

RICE LAKE  
LOAD CELLS

# RL40BBS

Alloy Steel, Environmentally Sealed, IP65



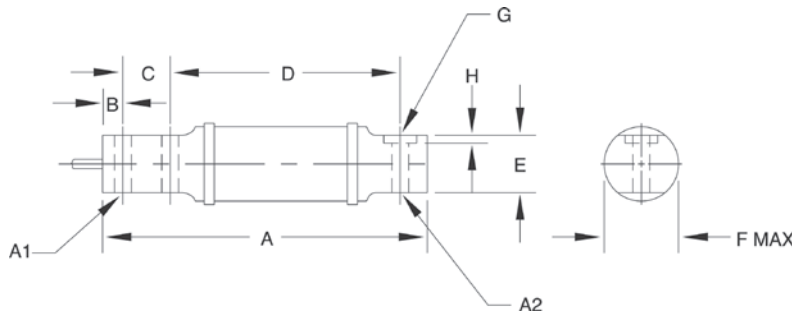
Picture is a representation of actual product.

## Order Information

Load Rating	Part #	Est. Weight	Price
50 lb	17395	3 lb	\$418.00
100 lb	17343	3 lb	\$418.00
200 lb	17396	3 lb	\$418.00
250 lb	17397	3 lb	\$418.00
500 lb	17398	3 lb	\$418.00
1,000 lb	17344	3 lb	\$418.00
2,500 lb	17345	9 lb	\$662.00

## Dimensions

Rated Capacity	A	A1	A2	B	C	D	E	F	G	H
50 to 100	6.00	0.31	0.31	0.38	0.88	4.25	1.06	1.41	—	—
200 to 1,000	6.62	0.52	0.52	0.50	1.12	4.25	1.06	1.41	—	—
2,500	11.38	0.53	0.62	0.50	1.75	8.25	1.25	2.19	1.19	0.12



RICE LAKE  
LOAD CELLS

## Interchangeable Products

HBK®  
**BBS** ..... page 239  
 VPG® SENSORTRONICS®  
**65087**  
 FAIRBANKS®  
**3-481XX-1**  
 FAIRBANKS  
**3-48660-1**  
 ARTECH®  
**40310**

## Specifications

**Full Scale Output:**  
2.0 mV/V

**Output Resistance:**  
831 (± 50) ohm

**Input Resistance:**  
750 (±) ohm

**Material/Finish:**  
High-alloy steel, nickel plated

**Temperature:**  
Operating range  
0 °F to 150 °F (-18 °C to 65 °C)

**Seal Type:**  
Environmentally sealed with neoprene sleeve, IP65

**Safe Overload:**  
150% full scale

**Rated Excitation:**  
5 to 10 VDC (15 V maximum)

**Deflection at Capacity:**  
50 lb: 0.015 in  
100 lb: 0.005 in  
200 to 250 lb: 0.030 in  
500 lb: 0.025 in  
1,000 lb: 0.040 in  
2,500 lb: 0.120 in

**Nonlinearity:**  
0.03% full scale

**Hysteresis:**  
0.02% full scale

**Insulation Resistance:**  
5,000 megohm

**Cable Length:**  
10 ft

**Cable Diameter:**  
0.200 in polyurethane jacket

**Cable Color Code:**  
Green +Excitation  
Black -Excitation  
White +Signal  
Red -Signal

**Warranty:**  
Two-year limited





Picture is a representation of actual product.

**Approvals**

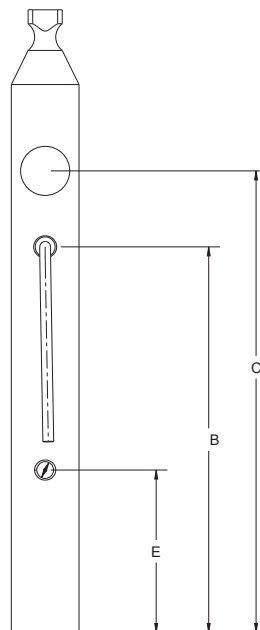
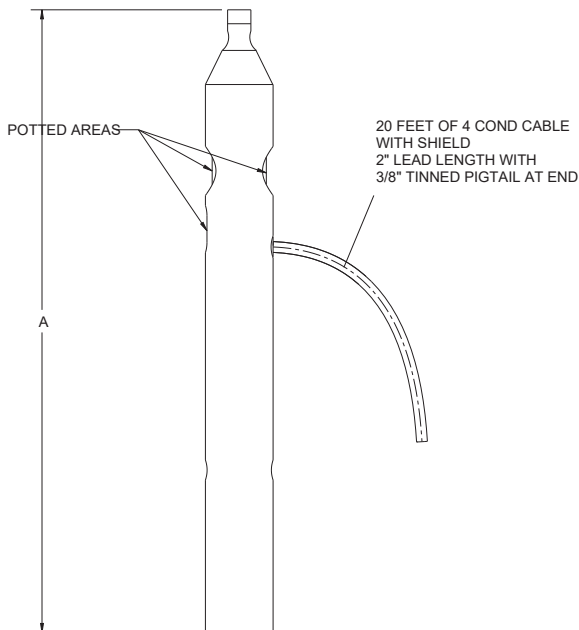
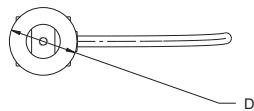


**Order Information**

Load Rating	Part #	Est. Weight	Price
1,250 lb	<b>119788</b>	5 lb	\$730.00
5,000 lb	<b>119790</b>	9 lb	\$850.00
10,000 lb	<b>119791</b>	17 lb	\$950.00

**Dimensions**

Rated Capacity lb/in	A	B	C	D	E
1,250	11.50	7.12	8.52	1.25	3.0
5,000	10.9	5.5	7.4	2.0	3.0
10,000	12.6	5.9	8.0	2.5	3.0



**Interchangeable Products**

AVERY WEIGH TRONIX®  
**Weigh Bar**

**Specifications**

- Full Scale Output:**  
2.0 ± 0.1% mV/V
- Output Resistance:**  
350 (± 3) ohm
- Input Resistance:**  
385 (± 10) ohm
- Material/Finish:**  
Stainless steel
- Temperature:**  
Compensated range  
14 °F to 104 °F (-10 °C to 40 °C)  
Operating range  
0 °F to 150 °F (-18 °C to 65 °C)
- Seal Type:**  
Environmentally sealed, IP67
- Safe Overload:**  
150% full scale
- Safe Sideload:**  
100% full scale
- Rated Excitation:**  
5 to 10 VDC
- Combined Error:**  
0.02% full scale
- Non-Repeatability:**  
± 0.01% full scale
- Insulation Resistance:**  
5,000 megohm
- Cable Length:**  
20 ft
- Cable Diameter:**  
0.190 in polyurethane jacket
- Cable Color Code:**  
Green +Excitation  
Black -Excitation  
White +Signal  
Red -Signal
- Warranty:**  
Two-year limited
- Approvals:**  
NTEP 11-024



# RL32011WB-T

Stainless Steel, Environmentally Sealed, NTEP Certified 1:5,000 Class III Multiple Cell, Potted, IP67



Picture is a representation of actual product.

### Approvals

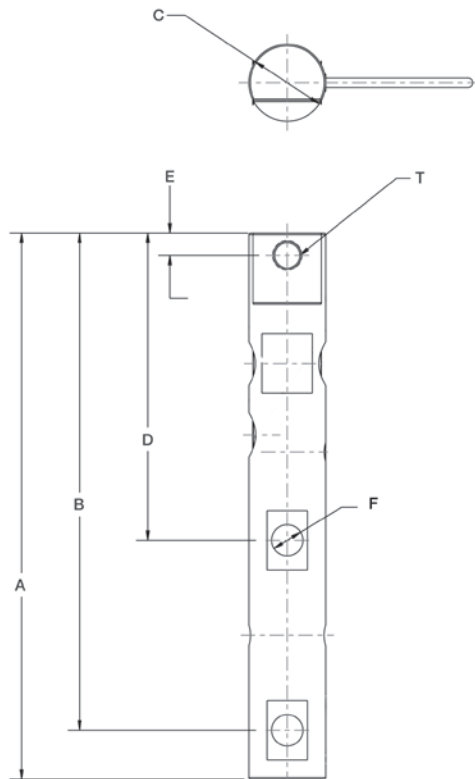


### Order Information

Load Rating	Part #	Est. Weight	Price
1,250 lb	119796	3 lb	\$525.00
2,500 lb	119797	3 lb	\$525.00

### Dimensions

Rated Capacity	A	B	C	D	E	F	T
lb/in							
1,250	11.50	10.47	1.25	6.47	0.47	0.53	1/2-13 UNC
2,500	11.50	10.47	1.62	6.47	0.47	0.66	5/8-11 UNC



### Interchangeable Products

AVERY WEIGH TRONIX®  
Weigh Bar

### Specifications

**Full Scale Output:**

2.0 (± 0.1%) mV/V

**Output Resistance:**

350 (± 3) ohm

**Input Resistance:**

385 (± 10) ohm

**Material/Finish:**

Stainless steel

**Temperature:**

Compensated range

14 °F to 104 °F (-10 °C to 40 °C)

Operating range

0 °F to 150 °F (-18 °C to 65 °C)

**Seal Type:**

Environmentally sealed, IP67

**Safe Overload:**

150% full scale

**Safe Sideload:**

100% full scale

**Rated Excitation:**

5 to 10 VDC

**Combined Error:**

0.02% full scale

**Non-Repeatability:**

± 0.01% full scale

**Insulation Resistance:**

5,000 megohm

**Cable Length:**

20 ft

**Cable Diameter:**

0.190 in polyurethane jacket

**Cable Color Code:**

Green +Excitation

Black -Excitation

White +Signal

Red -Signal

**Warranty:**

Two-year limited

**Approvals:**

NTEP 11-024

RICE LAKE  
LOAD CELLS



Picture is a representation of actual product.

### Approvals

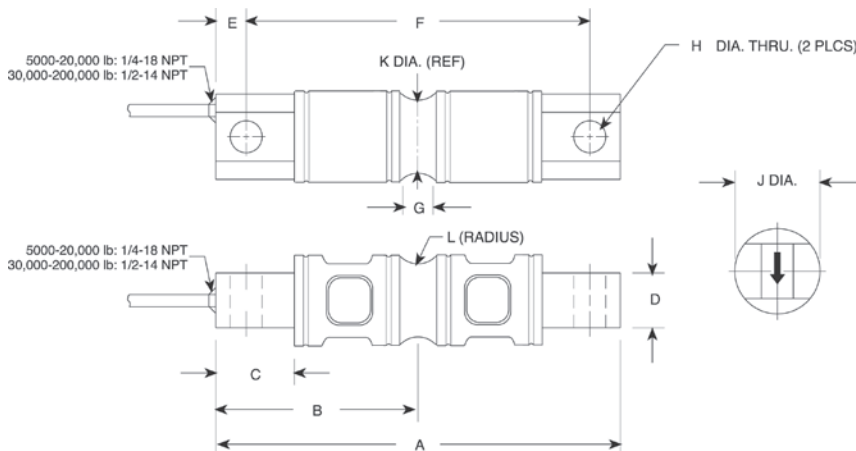


### Order Information

Load Rating	Part #	Est. Weight	Price
<b>NTEP</b>			
5,000 lb	201758	5 lb	\$695.00
10,000 lb	201759	6 lb	\$695.00
20,000 lb	201760	7 lb	\$695.00
30,000 lb	201761	18 lb	\$800.00
40,000 lb	201762	18 lb	\$800.00
50,000 lb	201763	18 lb	\$800.00
60,000 lb	201764	18 lb	\$800.00
100,000 lb	201765	28 lb	\$1,563.00
150,000 lb	201766	34 lb	\$1,563.00
200,000 lb	201767	90 lb	\$2,940.00
<b>Non-NTEP</b>			
250,000 lb	201768	93 lb	\$2,940.00

### Dimensions

Rated Capacity	A	B	C	D	E	F	G	H	J	K	L
lb/in											
5,000 to 10,000	8.12	4.06	1.44	1.12	0.62	6.88	0.62	0.66	1.70	1.48	0.50
20,000	8.12	4.06	1.44	1.12	0.62	6.88	0.84	0.66	1.95	1.48	0.50
30,000 to 60,000	10.25	5.12	1.88	2.37	0.88	8.50	1.00	1.06	3.20	2.73	1.00
100,000	11.25	5.62	1.88	2.50	0.88	9.50	1.00	1.06	3.50	3.24	1.50
150,000	11.25	5.62	1.88	2.80	0.88	9.50	1.25	1.06	3.90	3.64	1.50
200,000 to 250,000	16.10	8.05	3.05	4.60	1.55	13.00	1.30	1.56	5.38	5.17	2.00



### Interchangeable Products

- RICE LAKE WEIGHING SYSTEMS  
**RL70000\*** .....page 141
- VPG® REVERE  
**5103\*** .....page 271
- ARTECH®  
**70210**
- METTLER-TOLEDO®  
**SLD 430**
- \*Conduit adapter optional

### Weigh Module Available

- RICE LAKE WEIGHING SYSTEMS  
**EZ Mount 1**.....page 74

### Specifications

- Full Scale Output:**  
3.0 mV/V
- Output Resistance:**  
700 (± 5) ohm
- Input Resistance:**  
5 to 10 k: 700 (± 14) ohm  
20 to 150 k: 770 (± 10) ohm  
200 to 250 k: 700 (± 14) ohm
- Material/Finish:**  
High-alloy steel, nickel plated
- Temperature:**  
Compensated range  
14 °F to 104 °F (-10 °C to 40 °C)  
Operating range  
0 °F to 150 °F (-18 °C to 65 °C)
- Seal Type:**  
Environmentally sealed, IP67
- Safe Overload:**  
150% full scale
- Safe Sideload:**  
100% full scale
- Rated Excitation:**  
5 to 10 VDC (15 V maximum)
- Combined Error:**  
0.02% full scale
- Insulation Resistance:**  
5,000 megohm
- Deflection at Capacity:**  
5,000 lb: 0.02 in  
10,000 lb: 0.025 in  
20,000 lb: 0.042 in  
30,000 to 50,000 lb: 0.02 in  
60,000 lb: 0.025 in  
100,000 lb: 0.02 in
- Cable Length:**  
30 ft
- Cable Color Code:**  
Red +Excitation  
Black -Excitation  
Green +Signal  
White -Signal
- Warranty:**  
Two-year limited
- Approvals:**  
cFMus  
NTEP 21-064

RICE LAKE  
LOAD CELLS

# DOUBLE-ENDED BEAM RL72020SS

Stainless Steel, Environmentally Sealed, NTEP Certified 1:5,000 Class III/1:10,000 Class IIII Multiple Cell, IP67



Picture is a representation of actual product.

## Approvals

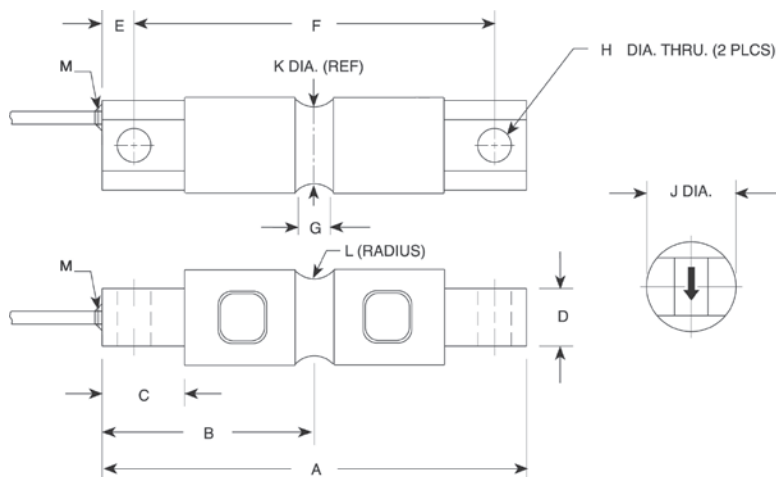


## Order Information

Load Rating	Part #	Est. Weight	Price
<b>NTEP Certified</b>			
10,000 lb	<b>201781</b>	5 lb	\$820.00
20,000 lb	<b>201782</b>	5 lb	\$900.00
30,000 lb	<b>201783</b>	20 lb	\$1,033.00
40,000 lb	<b>201784</b>	20 lb	\$1,033.00
50,000 lb	<b>201785</b>	20 lb	\$1,033.00
60,000 lb	<b>201786</b>	20 lb	\$1,033.00
100,000 lb	<b>201787</b>	30 lb	\$1,960.00
<b>Non-NTEP Certified</b>			
5,000 lb	<b>201780</b>	5 lb	\$820.00
150,000 lb	<b>201788</b>	30 lb	\$2,173.00

## Dimensions

Rated Capacity	A	B	C	D	E	F	G	H	J	K	L	M
lb/in												
5,000 to 10,000	8.12	4.06	1.44	1.12	0.62	6.88	0.62	0.66	1.70	1.48	0.50	1/4-18 NPT
20,000	8.12	4.06	1.44	1.12	0.62	6.88	0.84	0.66	1.95	1.48	0.50	1/4-18 NPT
30,000 to 60,000	10.25	5.12	1.88	2.37	0.88	8.50	1.00	1.06	3.20	2.73	1.00	1/2-14 NPT
100,000	11.25	5.62	1.88	2.50	0.88	9.50	1.00	1.06	3.50	3.24	1.50	1/2-14 NPT
150,000	11.25	5.62	1.88	2.80	0.88	9.50	1.25	1.06	3.90	3.64	1.50	1/2-14 NPT



## Interchangeable Products

RICE LAKE WEIGHING SYSTEMS  
**RL70000SS** .....page 143  
 VPG® REVERSE  
**9103**.....page 272

## Weigh Module Available

RICE LAKE WEIGHING SYSTEMS  
**EZ Mount 1 SS** .....page 76

## Specifications

- Full Scale Output:** 3.0 mV/V
- Output Resistance:** 700 (± 5) ohm
- Input Resistance:** 700 (± 10) ohm
- Material/Finish:** Stainless steel
- Temperature:** Operating range 14 °F to 104 °F (-10 °C to 40 °C)
- Seal Type:** Environmentally sealed, IP67
- Safe Overload:** 150% full scale
- Rated Excitation:** 5 to 10 VDC
- Combined Error:** 0.02% full scale
- Insulation Resistance:** 5,000 megohm
- Cable Length:** 30 ft polyurethane jacket
- Cable Color Code:** Red +Excitation, Black -Excitation, Green +Signal, White -Signal
- Warranty:** Two-year limited
- Approvals:** NTEP 21-064, cFMus

RICE LAKE  
LOAD CELLS



Picture is a representation of actual product.

**Approvals**

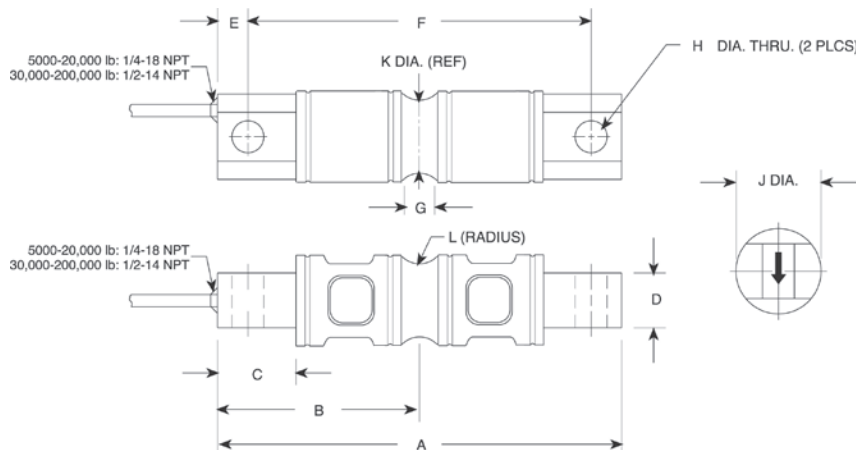


**Order Information**

Load Rating	Part #	Est. Weight	Price
<b>NTEP</b>			
5,000 lb	201769	5 lb	\$720.00
10,000 lb	201770	6 lb	\$720.00
20,000 lb	201771	7 lb	\$720.00
30,000 lb	201772	18 lb	\$826.00
40,000 lb	201773	18 lb	\$826.00
50,000 lb	201774	18 lb	\$826.00
60,000 lb	201775	18 lb	\$826.00
100,000 lb	201776	28 lb	\$1,615.00
150,000 lb	201777	34 lb	\$1,615.00
200,000 lb	201778	90 lb	\$2,990.00
<b>Non-NTEP</b>			
250,000 lb	201779	93 lb	\$2,990.00

**Dimensions**

Rated Capacity	A	B	C	D	E	F	G	H	J	K	L
5,000 to 10,000	8.12	4.06	1.44	1.12	0.62	6.88	0.62	0.66	1.70	1.48	0.50
20,000	8.12	4.06	1.44	1.12	0.62	6.88	0.84	0.66	1.95	1.48	0.50
30,000 to 60,000	10.25	5.12	1.88	2.37	0.88	8.50	1.00	1.06	3.20	2.73	1.00
100,000	11.25	5.62	1.88	2.50	0.88	9.50	1.00	1.06	3.50	3.24	1.50
150,000	11.25	5.62	1.88	2.80	0.88	9.50	1.25	1.06	3.90	3.64	1.50
200,000 to 250,000	16.10	8.05	3.05	4.60	1.55	13.00	1.30	1.56	5.38	5.17	2.00



**Interchangeable Products**

- RICE LAKE WEIGHING SYSTEMS  
**RL70000\*** .....page 141
  - RICE LAKE WEIGHING SYSTEMS  
**RL70000 Coated** .....page 142
  - VPG® REVERE  
**5103\*** .....page 271
  - ARTECH®  
**70210**
  - METTLER-TOLEDO®  
**SLD 430**
- \*Cells are uncoated

**Weigh Module Available**

- RICE LAKE WEIGHING SYSTEMS  
**EZ Mount 1**.....page 74

**Specifications**

- Full Scale Output:**  
3.0 mV/V
- Output Resistance:**  
5 to 10 k: 703 (± 4) ohm  
20 to 150 k: 700 (± 5) ohm  
200 to 250 k: 700 (± 5) ohm
- Input Resistance:**  
5 to 10 k: 700 (± 14) ohm  
20 to 150 k: 770 (± 10) ohm  
200 to 250 k: 700 (± 14) ohm
- Material/Finish:**  
Alloy steel, coated
- Temperature:**  
Compensated range  
14 °F to 104 °F (-10 °C to 40 °C)  
Operating range  
0 °F to 150 °F (-18 °C to 65 °C)

**Seal Type:**  
Environmentally sealed, IP67

**Safe Overload:**  
150% full scale

**Safe Sideload:**  
100% full scale

**Rated Excitation:**  
5 to 10 VDC (15 V maximum)

**Combined Error:**  
0.02% full scale

**Insulation Resistance:**  
5,000 megohm

**Deflection at Capacity:**  
5,000 lb: 0.02 in  
10,000 lb: 0.025 in  
20,000 lb: 0.042 in  
30,000 to 50,000 lb: 0.02 in  
60,000 lb: 0.025 in  
100,000 lb: 0.02 in

**Cable Length:**  
30 ft

**Cable Diameter:**  
5,000 to 20,000 lb: 0.200 in  
30,000 to 250,000 lb: 0.305 in  
Polyurethane jacket

**Cable Color Code:**  
Red +Excitation  
Black -Excitation  
Green +Signal  
White -Signal

**Warranty:**  
Two-year limited

**Approvals:**  
cFMus  
NTEP 21-064

**RICE LAKE  
LOAD CELLS**

DOUBLE-ENDED BEAM  
**RL72019SS**

Stainless Steel, Welded Seal, NTEP Certified 1:5,000 Class III/1:10,000 Class III L Multiple Cell, IP68



Picture is a representation of actual product.

Approvals

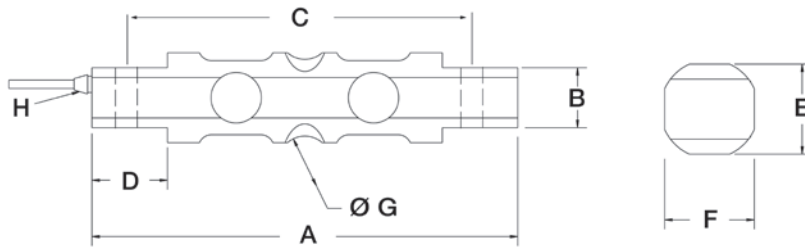


Order Information

Load Rating	Part #	Est. Weight	Price
5,000 lb	194021	5 lb	\$1,160.00
10,000 lb	194022	5 lb	\$1,160.00
20,000 lb	194023	5 lb	\$1,160.00
30,000 lb	194024	20 lb	\$1,585.00
40,000 lb	194025	20 lb	\$1,585.00
50,000 lb	194026	20 lb	\$1,585.00
60,000 lb	194027	20 lb	\$1,585.00

Dimensions

Rated Capacity	A	B	C	D	E	F	ØG	H
5,000 to 20,000 lb/in	8.12	1.14	6.88	1.44	1.71	1.71	1.00	1/4-18 NPT
30,000 to 60,000	10.25	2.38	8.50	1.88	3.03	3.03	2.00	1/2-14 NPT



RICE LAKE  
LOAD CELLS

Interchangeable Products

RICE LAKE WEIGHING SYSTEMS  
**RL70000SS** .....page 143  
VPG® REVERSE  
**9103**.....page 272

Weigh Module Available

RICE LAKE WEIGHING SYSTEMS  
**EZ Mount 1 SS** .....page 76

Specifications

- Full Scale Output:**  
3.0 mV/V
- Output Resistance:**  
700 (± 5) ohm
- Input Resistance:**  
800 (± 30) ohm
- Material/Finish:**  
Stainless steel
- Temperature:**  
Operating range  
0 °F to 150 °F (-18 °C to 65 °C)
- Seal Type:**  
Welded-seal, IP68
- Safe Overload:**  
150% full scale
- Rated Excitation:**  
5 to 10 VDC
- Nonlinearity:**  
0.03% full scale
- Hysteresis:**  
0.5% full scale
- Insulation Resistance:**  
5,000 megohm
- Cable Length:**  
25 ft
- Cable Color Code:**  
Red +Excitation  
Black -Excitation  
Green +Signal  
White -Signal
- Warranty:**  
Two-year limited
- Approvals:**  
cFMus  
NTEP 21-064

**Limited Stock Available**



Picture is a representation of actual product.

**Approvals**

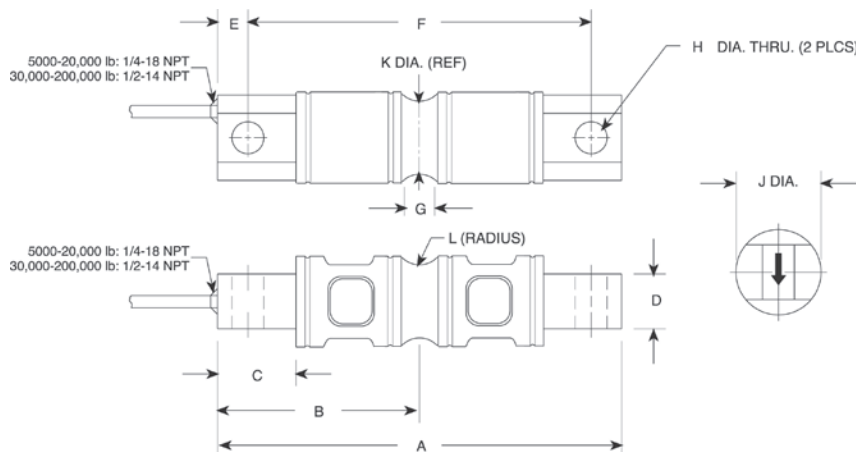


**Order Information**

Load Rating	Part #	Est. Weight	Price
10,000 lb	36264	6 lb	\$695.00
30,000 lb	36266	18 lb	\$800.00
40,000 lb	36267	18 lb	\$800.00
50,000 lb	36268	18 lb	\$800.00
60,000 lb	36269	18 lb	\$800.00
100,000 lb	36270	28 lb	\$1,563.00
150,000 lb	36976	34 lb	\$1,563.00
200,000 lb	36977	90 lb	\$2,940.00
250,000 lb	36978	90 lb	\$2,940.00

**Dimensions**

Rated Capacity	A	B	C	D	E	F	G	H	J	K	L
lb/in											
10,000	8.12	4.06	1.44	1.12	0.62	6.88	0.62	0.66	1.70	1.48	0.50
30,000 to 60,000	10.25	5.12	1.88	2.37	0.88	8.50	1.00	1.06	3.20	2.73	1.00
100,000	11.25	5.62	1.88	2.50	0.88	9.50	1.00	1.06	3.50	3.24	1.50
150,000	11.25	5.62	1.88	2.80	0.88	9.50	1.25	1.06	3.90	3.64	1.50
200,000 to 250,000	16.10	8.05	3.05	4.60	1.55	13.00	1.30	1.56	5.38	5.17	2.00



**Interchangeable Products**

RICE LAKE WEIGHING SYSTEMS  
**RL72020**..... page 137

VPG® REVERE®  
**5103\***..... page 271

ARTECH®  
**70210**

METTLER-TOLEDO®  
**SLD 430**

\*Conduit adapter optional

**Weigh Module Available**

RICE LAKE WEIGHING SYSTEMS  
**EZ Mount 1**.....page 74

**Specifications**

**Full Scale Output:**  
 3.0 mV/V

**Output Resistance:**  
 5 to 10 k: 703 (± 4) ohm  
 20 to 150 k: 700 (± 5) ohm  
 200 to 250 k: 700 (± 5) ohm

**Input Resistance:**  
 5 to 10 k: 700 (± 14) ohm  
 20 to 150 k: 770 (± 10) ohm  
 200 to 250 k: 700 (± 14) ohm

**Material/Finish:**  
 High-alloy steel, nickel plated

**Temperature:**  
 Compensated range  
 14 °F to 104 °F (-10 °C to 40 °C)  
 Operating range  
 0 °F to 150 °F (-18 °C to 65 °C)

**Seal Type:**  
 Environmentally sealed, IP67

**Safe Overload:**  
 150% full scale

**Safe Sideload:**  
 100% full scale

**Rated Excitation:**  
 5 to 10 VDC (15 V maximum)

**Combined Error:**  
 0.02% full scale

**Insulation Resistance:**  
 5,000 megohm

**Deflection at Capacity:**  
 5,000 lb: 0.02 in  
 10,000 lb: 0.025 in  
 20,000 lb: 0.042 in  
 30,000 to 50,000 lb: 0.02 in  
 60,000 lb: 0.025 in  
 100,000 lb: 0.02 in

**Cable Length:**  
 30 ft

**Cable Diameter:**  
 5,000 to 20,000 lb: 0.200 in  
 30,000 to 250,000 lb: 0.305 in  
 Polyurethane jacket

**Cable Color Code:**  
 Red +Excitation  
 Black -Excitation  
 Green +Signal  
 White -Signal

**Warranty:**  
 Two-year limited

**Approvals:**  
 cFMus  
 NTEP 97-125

**RICE LAKE LOAD CELLS**

# RL70000 Coated

Alloy Steel, Environmentally Sealed, IP67



Picture is a representation of actual product.

### Approvals

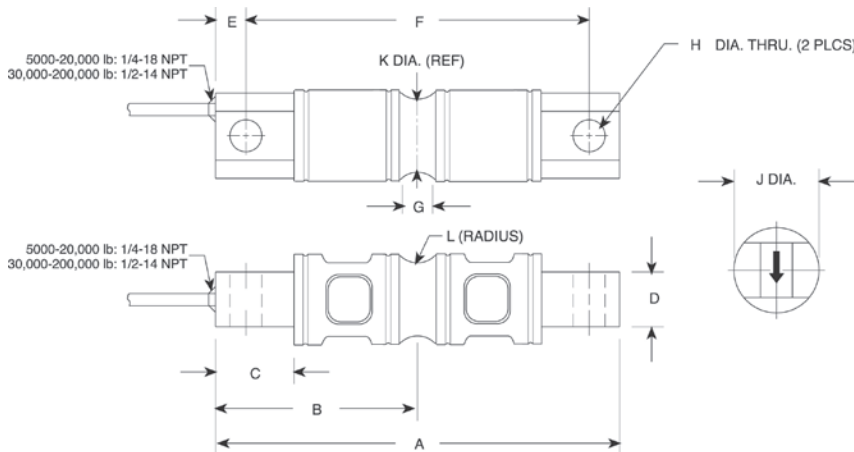


### Order Information

Load Rating	Part #	Est. Weight	Price
5,000 lb	198196	5 lb	\$720.00
30,000 lb	198199	18 lb	\$826.00
50,000 lb	198201	18 lb	\$826.00
250,000 lb	198206	93 lb	\$2,990.00

### Dimensions

Rated Capacity	A	B	C	D	E	F	G	H	J	K	L
lb/in											
5,000	8.12	4.06	1.44	1.12	0.62	6.88	0.62	0.66	1.70	1.48	0.50
30,000 to 50,000	10.25	5.12	1.88	2.37	0.88	8.50	1.00	1.06	3.20	2.73	1.00
250,000	16.10	8.05	3.05	4.60	1.55	13.00	1.30	1.56	5.38	5.17	2.00



RICE LAKE  
LOAD CELLS

### Interchangeable Products

- RICE LAKE WEIGHING SYSTEMS  
**RL70000\***.....page 141
- RICE LAKE WEIGHING SYSTEMS  
**RL72020\***.....page 137
- RICE LAKE WEIGHING SYSTEMS  
**RL72020P**.....page 139

### Weigh Module Available

- RICE LAKE WEIGHING SYSTEMS  
**EZ Mount 1**.....page 74

\*Cells are uncoated

### Specifications

**Full Scale Output:**  
3.0 mV/V

**Output Resistance:**  
5 to 10 k: 703 (± 4) ohm  
20 to 150 k: 700 (± 5) ohm  
200 to 250 k: 700 (± 5) ohm

**Input Resistance:**  
5 to 10 k: 700 (± 14) ohm  
20 to 150 k: 770 (± 10) ohm  
200 to 250 k: 700 (± 14) ohm

**Material/Finish:**  
Alloy steel, coated

**Temperature:**  
Compensated range  
14 °F to 104 °F (-10 °C to 40 °C)  
Operating range  
0 °F to 150 °F (-18 °C to 65 °C)

**Seal Type:**  
Environmentally sealed, IP67

**Safe Overload:**  
150% full scale

**Safe Sideload:**  
100% full scale

**Rated Excitation:**  
5 to 10 VDC (15 V maximum)

**Combined Error:**  
0.02% full scale

**Insulation Resistance:**  
5,000 megohm

**Deflection at Capacity:**  
5,000 lb: 0.02 in  
10,000 lb: 0.025 in  
20,000 lb: 0.042 in  
30,000 to 50,000 lb: 0.02 in  
60,000 lb: 0.025 in  
100,000 lb: 0.02 in

**Cable Length:**  
30 ft

**Cable Diameter:**  
5,000 to 20,000 lb: 0.200 in  
30,000 to 250,000 lb: 0.305 in  
Polyurethane jacket

**Cable Color Code:**  
Red +Excitation  
Black -Excitation  
Green +Signal  
White -Signal

**Warranty:**  
Two-year limited

**Approvals:**  
cFMus  
NTEP 97-125



**Limited Stock Available**

DOUBLE-ENDED BEAM  
**RL7000SS**  
 Stainless Steel, Environmentally Sealed, NTEP Certified 1:5,000 Class III/1:10,000 III/L Multiple Cell, IP67



Picture is a representation of actual product.

**Approvals**

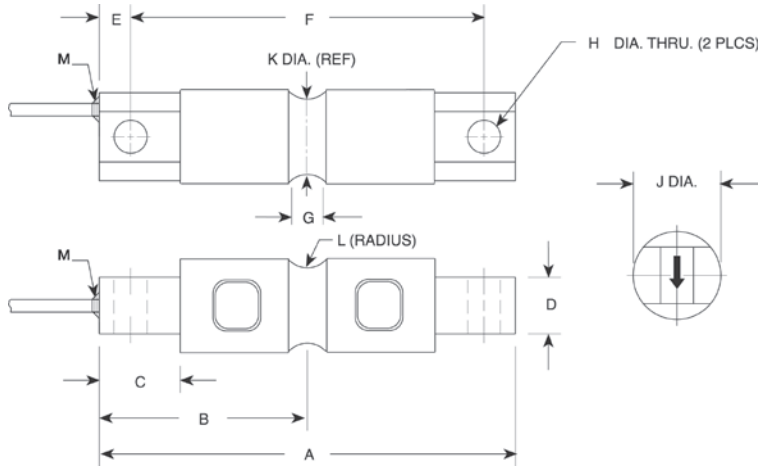


**Order Information**

Load Rating	Part #	Est. Weight	Price
<b>NTEP Certified</b>			
40,000 lb	30435	22 lb	\$900.00
50,000 lb	30436	22 lb	\$1,007.00
100,000 lb	30444	30 lb	\$1,960.00
<b>Non-NTEP Certified</b>			
5,000 lb	30431	5 lb	\$768.00

**Dimensions**

Rated Capacity	A	B	C	D	E	F	G	H	J	K	L	M
lb/in												
5,000	8.12	4.06	1.44	1.12	0.62	6.88	0.62	0.66	1.70	1.48	0.50	1/4-18 NPT
40,000 to 50,000	10.25	5.12	1.88	2.37	0.88	8.50	1.00	1.06	3.20	2.73	1.00	1/2-14 NPT
100,000	11.25	5.62	1.88	2.50	0.88	9.50	1.00	1.06	3.50	3.24	1.50	1/2-14 NPT



**Interchangeable Products**

- RICE LAKE WEIGHING SYSTEMS  
**RL72019SS**.....page 140
- RICE LAKE WEIGHING SYSTEMS  
**RL72020SS**.....page 138
- VPG® REVERE  
**9103**.....page 272
- METTLER TOLEDO®  
**SLD-530**

**Weigh Module Available**

- RICE LAKE WEIGHING SYSTEMS  
**EZ Mount 1**.....page 74

**Specifications**

- Full Scale Output:**  
3.0 mV/V
- Output Resistance:**  
700 (± 7) ohm
- Input Resistance:**  
700 (± 7) ohm
- Material/Finish:**  
Stainless steel
- Temperature:**  
Compensated range  
0 °F to 150 °F (-18 °C to 65 °C)  
Operating range  
0 °F to 150 °F (-18 °C to 65 °C)
- Seal Type:**  
Environmentally sealed, IP67
- Safe Overload:**  
150% full scale
- Safe Sideload:**  
100% full scale
- Rated Excitation:**  
5 to 10 VDC (15 V max)
- Non-repeatability:**  
0.02% full scale
- Combined Error:**  
0.3% full scale
- Insulation Resistance:**  
5,000 megohm
- Deflection at Capacity:**  
5,000 lb: 0.02 in  
10,000 lb: 0.025 in  
20,000 lb: 0.042 in  
30,000 to 50,000 lb: 0.02 in  
60,000 lb: 0.025 in  
100,000 to 150,000 lb: 0.02 in
- Cable Length:**  
30 ft
- Cable Diameter:**  
0.295 in  
Polyurethane jacket
- Cable Color Code:**  
Red +Excitation  
Black -Excitation  
Green +Signal  
White -Signal
- Warranty:**  
Two-year limited
- Approvals:**  
cFMus  
NTEP 12-050

**RICE LAKE  
LOAD CELLS**

# RL75016

Alloy Steel, Environmentally Sealed, IP67



Picture is a representation of actual product.

## Approvals



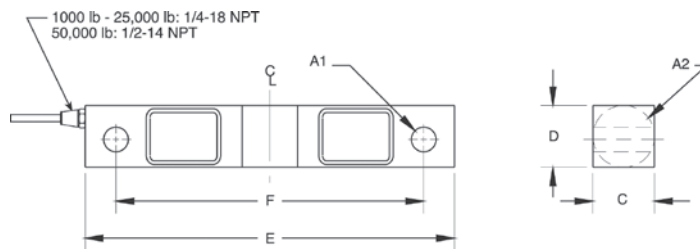
## Order Information

Load Rating	Part #	Est. Weight	Price
1,000 lb	17300	4 lb	\$556.00
1,500 lb	17302	4 lb	\$556.00
2,000 lb	17304	4 lb	\$556.00
2,500 lb	17306	4 lb	\$556.00
3,000 lb	17308	4 lb	\$556.00
5,000 lb	17309	4 lb	\$556.00
10,000 lb	17311	7 lb	\$636.00
15,000 lb	17313	7 lb	\$636.00
20,000 lb	17315	7 lb	\$636.00
25,000 lb	17317	7 lb	\$636.00
50,000 lb	17319	25 lb	\$980.00
75,000 lb*	25357	25 lb	\$980.00

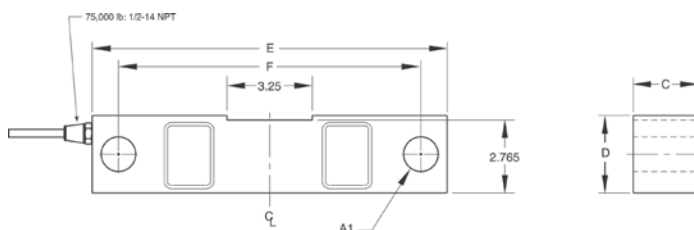
\*75,000lb capacity has a square center

## Dimensions

Rated Capacity	A1	A2	C	D	E	F
lb/in						
1,000 to 5,000	0.50	1.25	1.25	1.25	7.50	6.25
10,000 to 25,000	0.81	1.99	1.44	1.94	8.75	7.50
50,000	1.31	3.00	2.44	2.94	13.50	11.50
75,000	1.31	—	2.44	2.94	13.50	11.50



1000-50,000lb



75,000lb

## Interchangeable Products

VPG® CELTRON

**DSR**.....page 209

VPG® SENSORTRONICS®

**65016**.....page 306

VPG® REVERE

**5203**

## Weigh Module Available

RICE LAKE WEIGHING SYSTEMS

**RL1600 Series** .page 79 and page 81

## Specifications

### Full Scale Output:

3.0 mV/V

### Output Resistance:

700 (± 5) ohm

### Input Resistance:

770 (± 10) ohm

### Material/Finish:

High-alloy steel, nickel plated

### Temperature:

Operating range  
0 °F to 150 °F (-18 °C to 65 °C)

### Seal Type:

Environmentally sealed, IP67

### Safe Overload:

150% full scale

### Safe Sideload:

100% full scale

### Rated Excitation:

5 to 10 VDC (15 V maximum)

### Nonlinearity:

0.03% full scale

### Hysteresis:

0.02% full scale

### Deflection at Capacity:

1,000 to 3,000 lb: 0.01 in  
5,000 lb: 0.015 in  
10,000 to 20,000 lb: 0.022 in  
25,000 lb: 0.036 in  
50,000 lb: 0.052 in  
75,000 lb: 0.07 in

### Insulation Resistance:

5,000 megohm

### Cable Length:

25 ft

### Cable Diameter:

1,000 to 25,000 lb: 0.200 in  
50,000 to 75,000 lb: 0.305 in Polyurethane jacket

### Cable Color Code:

Red +Excitation  
Black -Excitation  
Green +Signal  
White -Signal

### Warranty:

Two-year limited



Picture is a representation of actual product.

**Approvals**



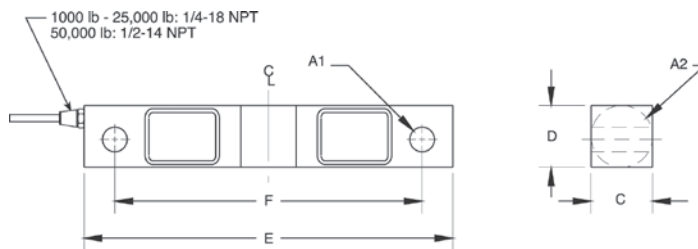
**Order Information**

Load Rating	Part #	Est. Weight	Price
1,000 lb	<b>187058</b>	4 lb	\$583.00
1,500 lb	<b>187059</b>	4 lb	\$583.00
2,000 lb	<b>187060</b>	4 lb	\$583.00
2,500 lb	<b>187061</b>	4 lb	\$583.00
3,000 lb	<b>187062</b>	4 lb	\$583.00
5,000 lb	<b>187063</b>	4 lb	\$583.00
10,000 lb	<b>187064</b>	7 lb	\$662.00
15,000 lb	<b>187065</b>	7 lb	\$662.00
20,000 lb	<b>187066</b>	7 lb	\$662.00
25,000 lb	<b>187067</b>	7 lb	\$662.00
50,000 lb	<b>187068</b>	25 lb	\$1,007.00
75,000 lb*	<b>187069</b>	25 lb	\$1,007.00

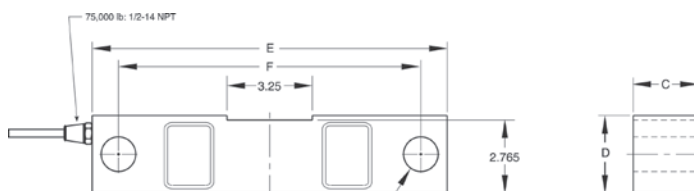
\*75,000lb capacity has a square center

**Dimensions**

Rated Capacity	A1	A2	C	D	E	F
lb/in						
1,000 to 5,000	0.50	1.25	1.25	1.25	7.50	6.25
10,000 to 25,000	0.81	1.99	1.44	1.94	8.75	7.50
50,000	1.31	3.00	2.44	2.94	13.50	11.50
75,000	1.31	—	2.44	2.94	13.50	11.50



1000-50,000lb



75,000lb

**Interchangeable Products**

- RICE LAKE WEIGHING SYSTEMS
- RL75016\*** (Alloy)..... page 144
- VPG® CELTRON
- DSR\*** (Alloy)..... page 209
- VPG® SENSORTRONICS®
- 65016\*** (Alloy)..... page 306

**Weigh Module Available**

- RICE LAKE WEIGHING SYSTEMS
- RL1600 Series**..... page 79 and page 81

\*Cells are uncoated

**Specifications**

- Full Scale Output:**  
3.0 mV/V
- Output Resistance:**  
700 (± 5) ohm
- Input Resistance:**  
770 (± 10) ohm
- Material/Finish:**  
Alloy steel, coated
- Temperature:**  
Operating range  
0 °F to 150 °F (-18 °C to 65 °C)
- Seal Type:**  
Environmentally sealed, IP67
- Safe Overload:**  
150% full scale
- Safe Sideload:**  
100% full scale
- Rated Excitation:**  
5 to 10 VDC (15 V maximum)
- Nonlinearity:**  
0.03% full scale
- Hysteresis:**  
0.02% full scale
- Insulation Resistance:**  
5,000 megohm
- Cable Length:**  
25 ft
- Cable Color Code:**  
Red +Excitation  
Black -Excitation  
Green +Signal  
White -Signal
- Warranty:**  
Two-year limited
- Approvals:**  
cFMus

RICE LAKE  
LOAD CELLS

DOUBLE-ENDED BEAM  
**RL75016SS**

Stainless Steel, Environmentally Sealed, IP67



Picture is a representation of actual product.

Approvals



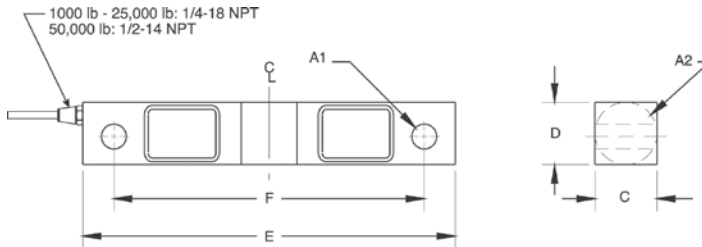
Order Information

Load Rating	Part #	Est. Weight	Price
1,000 lb	17301	4 lb	\$583.00
1,500 lb	17303	4 lb	\$583.00
2,000 lb	17305	4 lb	\$583.00
2,500 lb	17307	4 lb	\$583.00
5,000 lb	17310	4 lb	\$583.00
10,000 lb	17312	7 lb	\$662.00
15,000 lb	17314	7 lb	\$662.00
20,000 lb	17316	7 lb	\$662.00
25,000 lb	17318	7 lb	\$662.00
50,000 lb	17320	25 lb	\$1,298.00
75,000 lb*	25356	27 lb	\$1,298.00

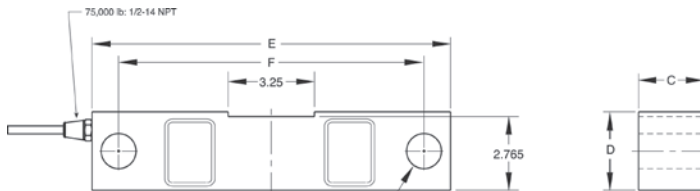
\*75,000lb capacity has a square center

Dimensions

Rated Capacity	A1	A2	C	D	E	F
lb/in						
1,000 to 5,000	0.50	1.25	1.25	1.25	7.50	6.25
10,000 to 25,000	0.81	1.99	1.44	1.94	8.75	7.50
50,000	1.31	3.00	2.44	2.94	13.50	11.50
75,000	1.31	—	2.44	2.94	13.50	11.50



1000-50,000lb



75,000lb

Interchangeable Products

- RICE LAKE WEIGHING SYSTEMS  
**RL75016WHE\*** ..... page 148
- VPG® SENSORTRONICS®  
**65016W** ..... page 307
- VPG® SENSORTRONICS  
**65016WH\*** ..... page 308
- VPG® REVERE  
**9203**

Weigh Module Available

- SURVIVOR®  
**RL1600 HE Series**.....page 34  
*\*Hermetically sealed*

Specifications

- Full Scale Output:**  
3.0 mV/V
- Output Resistance:**  
700 (± 5) ohm
- Input Resistance:**  
770 (± 10) ohm
- Material/Finish:**  
Stainless steel
- Temperature:**  
Operating range  
0 °F to 150 °F (-18 °C to 65 °C)
- Seal Type:**  
Environmentally sealed, IP67
- Safe Overload:**  
150% full scale
- Safe Sideload:**  
100% full scale
- Rated Excitation:**  
5 to 10 VDC (15 V maximum)
- Nonlinearity:**  
0.07% full scale
- Hysteresis:**  
0.02% full scale
- Cable Diameter:**  
1,000 to 25,000 lb: 0.200 in  
50,000 to 75,000 lb: 0.305 in Polyurethane jacket
- Deflection at Capacity:**  
1,000 to 3,000 lb: 0.01 in  
5,000 lb: 0.015 in  
10,000 to 20,000 lb: 0.022 in  
25,000 lb: 0.036 in  
50,000 lb: 0.052 in  
75,000 lb: 0.07 in
- Insulation Resistance:**  
5,000 megohm
- Cable Length:**  
25 ft
- Cable Color Code:**  
Red +Excitation  
Black -Excitation  
Green +Signal  
White -Signal
- Warranty:**  
Two-year limited
- Approvals:**  
cFMus

RICE LAKE  
LOAD CELLS



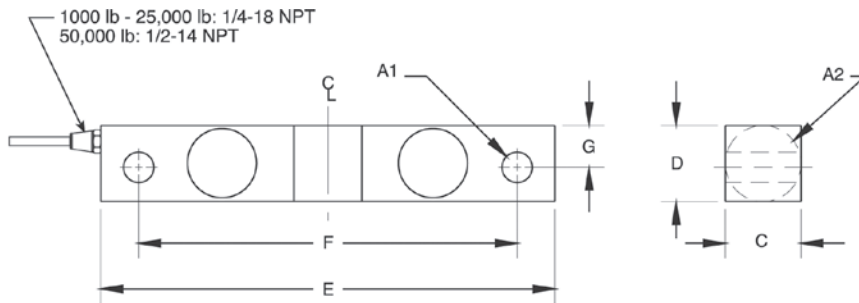
Picture is a representation of actual product.

### Order Information

Load Rating	Part #	Est. Weight	Price
1,000 lb	<b>168114</b>	5 lb	\$630.00
5,000 lb	<b>168115</b>	5 lb	\$630.00
10,000 lb	<b>168116</b>	7 lb	\$715.00
15,000 lb	<b>168117</b>	7 lb	\$715.00
20,000 lb	<b>168118</b>	7 lb	\$715.00
25,000 lb	<b>168119</b>	7 lb	\$715.00
50,000 lb	<b>168120</b>	33 lb	\$1,372.00

### Dimensions

Rated Capacity	A1	A2	C	D	E	F	G
lb/in							
1,000 to 5,000	0.50	1.25	1.25	1.25	7.50	6.25	0.69
10,000 to 25,000	0.81	1.99	1.44	1.94	8.75	7.50	0.96
50,000	1.31	3.00	2.44	2.94	13.50	11.50	1.50



### Interchangeable Products

- RICE LAKE WEIGHING SYSTEMS  
**RL75016SS**.....page 146
- RICE LAKE WEIGHING SYSTEMS  
**RL75016WHE**.....page 148

### Specifications

- Full Scale Output:**  
3.0 mV/V
- Output Resistance:**  
700 (± 5) ohm
- Input Resistance:**  
770 (± 10) ohm
- Material/Finish:**  
Stainless steel
- Temperature:**  
Operating range  
0 °F to 150 °F (-18 °C to 65 °C)
- Seal Type:**  
Welded-seal, IP67
- Safe Overload:**  
100% full scale
- Rated Excitation:**  
5 to 10 VDC (15 V max)
- Hysteresis:**  
0.02% full scale
- Linearity:**  
0.03% full scale
- Cable Length:**  
25 ft
- Cable Color Code:**  
Red +Excitation  
Black -Excitation  
Green +Signal  
White -Signal
- Warranty:**  
Two-year limited

# RL75016WHE

Stainless Steel, Hermetically Sealed, IP69K



Picture is a representation of actual product.

### Approvals

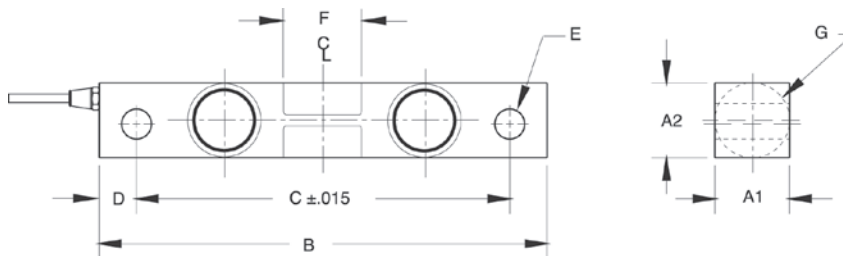


### Order Information

Load Rating	Part #	Est. Weight	Price
1,000 lb	67043	4 lb	\$736.00
1,500 lb	67044	4 lb	\$736.00
2,000 lb	67045	4 lb	\$736.00
2,500 lb	67046	4 lb	\$736.00
5,000 lb	67047	4 lb	\$736.00
10,000 lb	67048	7 lb	\$832.00
15,000 lb	67049	7 lb	\$832.00
20,000 lb	67050	7 lb	\$832.00
25,000 lb	67051	7 lb	\$832.00

### Dimensions

Rated Capacity	A1	A2	B	C	D	E	F	G	CONDUIT ADAPTER
lb/in									
1,000 to 5,000	1.22	1.22	7.50	6.25	0.62	0.50	1.12	1.25	1/2-14 NPT
10,000 to 25,000	1.44	1.94	8.75	7.50	0.62	0.81	1.62	1.99	1/2-14 NPT



RICE LAKE  
LOAD CELLS

### Interchangeable Products

- RICE LAKE WEIGHING SYSTEMS  
**RL75016SS\*** ..... page 146
- RICE LAKE WEIGHING SYSTEMS  
**RL75016SS-W\*** ..... page 147
- VPG® SENSORTRONICS®  
**65016W\*** ..... page 307
- VPG® SENSORTRONICS  
**65016WH**..... page 308

### Weigh Module Available

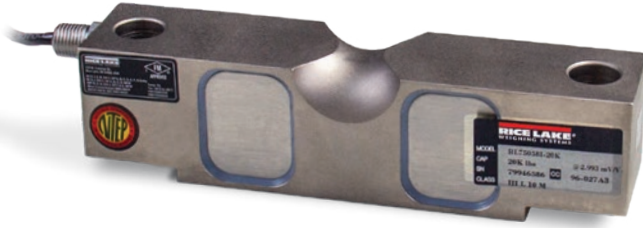
- RICE LAKE WEIGHING SYSTEMS  
**RL1600 Series** .page 79 and page 81  
*\*Welded seal*

### Specifications

- Full Scale Output:**  
3.0 mV/V
- Output Resistance:**  
699 to 707 ohm
- Input Resistance:**  
686 to 714 ohm
- Material/Finish:**  
Stainless steel
- Temperature:**  
Operating range  
0 °F to 150 °F (-18 °C to 65 °C)
- Seal Type:**  
Hermetically sealed, IP69K
- Safe Overload:**  
150% full scale
- Safe Sideload:**  
100% full scale
- Rated Excitation:**  
5 to 10 VDC (15 V maximum)
- Combined Error:**  
0.03% full scale
- Insulation Resistance:**  
2,000 megohm
- Cable Length:**  
25 ft
- Cable Diameter:**  
0.200 in  
Polyurethane jacket
- Cable Color Code:**  
Red +Excitation  
Black -Excitation  
Green +Signal  
White -Signal
- Warranty:**  
Two-year limited
- Approvals:**  
cFMus

# RL75058I for Rice Lake Coil Scale

Alloy Steel, Environmentally Sealed, NTEP Certified 1:5,000 Class III Multiple Cell, IP67



Picture is a representation of actual product.

### Approvals

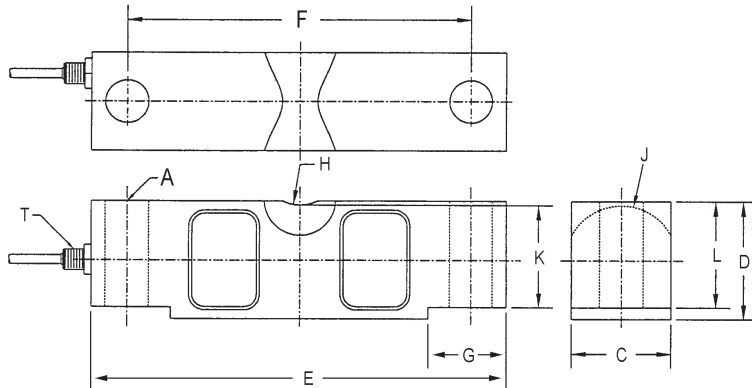


### Order Information

Load Rating	Part #	Est. Weight	Price
20,000 lb	121439	8 lb	\$673.00
25,000 lb	121440	8 lb	\$673.00
40,000 lb	121441	13 lb	\$805.00
50,000 lb	121442	19 lb	\$885.00
60,000 lb	121443	19 lb	\$885.00
75,000 lb	121444	19 lb	\$885.00

### Dimensions

Rated Capacity	A	C	D	E	F	G	H	J	K	L	T
lb/in											
20,000 to 25,000	0.68	1.69	1.94	7.75	6.50	1.38	0.75	0.90	1.63	1.70	1/4-18 NPT
40,000	0.81	1.94	2.44	10.25	8.50	1.93	1.00	1.12	2.00	2.10	1/4-18 NPT
50,000 to 75,000	1.06	2.44	2.94	10.25	8.50	1.93	1.00	1.37	2.54	2.65	1/2-14 NPT



### Specifications

**Full Scale Output:**

3.0 mV/V

**Output Resistance:**

699 to 707 ohm

**Input Resistance:**

686 to 714 ohm

**Material/Finish:**

High-alloy steel, nickel plated

**Temperature:**

Compensated range

14 °F to 104 °F/-10 °C to 40 °C

Operating range

0 °F to 150 °F/-18 °C to 65 °C

**Seal Type:**

Environmentally sealed, IP67

**Safe Overload:**

150% full scale

**Safe Sideload:**

100% full scale

**Rated Excitation:**

5 to 10 VDC (15 V maximum)

**Combined Error:**

0.02% full scale

**Insulation Resistance:**

5,000 megohm

**Cable Length:**

35 ft

**Cable Diameter:**

20,000 lb: 0.200 in

40,000 to 75,000 lb: 0.305 in

Polyurethane jacket

**Cable Coloring Code:**

Red +Excitation

Black -Excitation

Green +Signal

White -Signal

**Warranty:**

Two-year limited

**Approvals:**

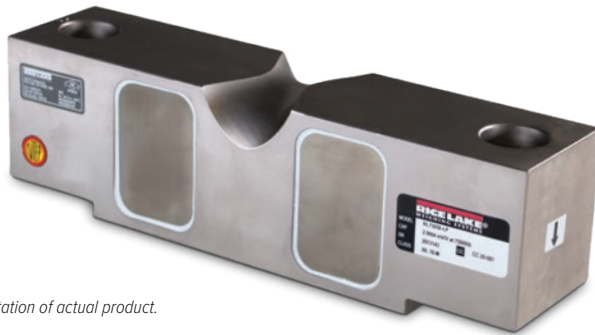
cFMus

NTEP 98-143

RICE LAKE  
LOAD CELLS

DOUBLE-ENDED BEAM  
**RL75058-LP**

Alloy Steel, Environmentally Sealed, NTEP Certified 1:10,000 Class III Multiple Cell, IP67



Picture is a representation of actual product.

Approvals



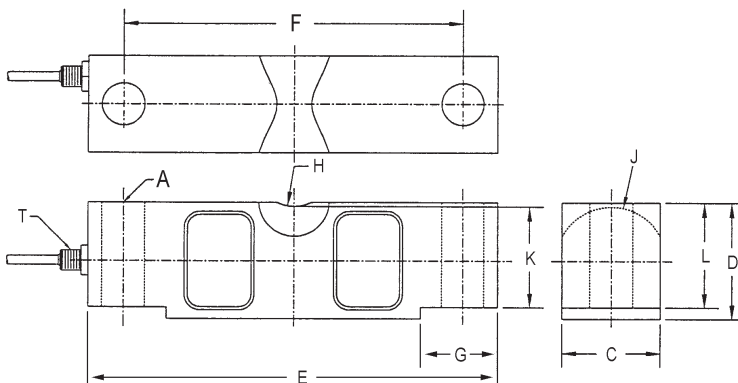
Order Information

Load Rating	Part #	Est. Weight	Price
<b>NTEP Certified 35 ft Cable</b>			
20,000 lb	197770	8 lb	\$673.00
25,000 lb	197771	8 lb	\$673.00
40,000 lb	197772	13 lb	\$805.00
50,000 lb	197773	19 lb	\$885.00
60,000 lb	197774	19 lb	\$885.00
75,000 lb	197775	19 lb	\$885.00
100,000 lb	197776	40 lb	\$1,669.00
125,000 lb	197777	40 lb	\$1,669.00
<b>Non-NTEP Certified 35 ft Cable</b>			
10,000 lb	197769	8 lb	\$652.00
<b>NTEP Certified 60 ft Cable</b>			
50,000 lb	197778	20 lb	\$995.00
75,000 lb**	197781	20 lb	\$995.00
75,000 lb*	197782	20 lb	\$1,100.00
125,000 lb	197779	40 lb	\$1,800.00
<b>NTEP Certified 100 ft Cable</b>			
75,000 lb	197780	22 lb	\$1,100.00

\*Stainless steel overbraid cable  
\*\*Used in Rice Lake truck scales

Dimensions

Rated Capacity	A	C	D	E	F	G	H	J	K	L	T
10,000 to 25,000 lb/in	0.68	1.69	1.94	7.75	6.50	1.38	0.75	0.90	1.63	1.70	1/4-18 NPT
40,000	0.81	1.94	2.44	10.25	8.50	1.93	1.00	1.12	2.00	2.10	1/4-18 NPT
50,000 to 75,000	1.06	2.44	2.94	10.25	8.50	1.93	1.00	1.37	2.54	2.65	1/2-14 NPT
100,000 to 125,000	1.62	2.90	3.86	15.25	12.75	3.13	1.50	1.80	3.30	3.43	1/2-14 NPT



Interchangeable Products

- VPG® SENSORTRONICS®  
**65058A** ..... page 309
- VPG® CELTRON  
**CLB** ..... page 210

Weigh Module Available

- RICE LAKE WEIGHING SYSTEMS  
**RL2100HE**..... page 36
- RICE LAKE WEIGHING SYSTEMS  
**MVS**..... page 86

Specifications

- Full Scale Output:**  
3.0 mV/V
- Output Resistance:**  
700 (± 5) ohm
- Input Resistance:**  
770 (± 10) ohm
- Material/Finish:**  
High-alloy steel, nickel plated
- Temperature:**  
Compensated range  
14 °F to 104 °F (-10 °C to 40 °C)  
Operating range  
0 °F to 150 °F (-18 °C to 65 °C)
- Seal Type:**  
Environmentally sealed, IP67
- Safe Overload:**  
150% full scale
- Safe Sideload:**  
100% full scale
- Rated Excitation:**  
5 to 10 VDC (15 V maximum)
- Combined Error:**  
0.02% full scale
- Insulation Resistance:**  
5,000 megohm
- Cable Length:**  
35 ft  
60 ft  
100 ft
- Cable Diameter:**  
10,000 to 25,000 lb: 0.200 in  
40,000 to 125,000 lb: 0.305 in  
Polyurethane jacket
- Cable Coloring Code:**  
Red +Excitation  
Black -Excitation  
Green +Signal  
White -Signal
- Warranty:**  
Two-year limited
- Approvals:**  
cFMus  
NTEP 20-081

RICE LAKE  
LOAD CELLS





Picture is a representation of actual product.

**Approvals**

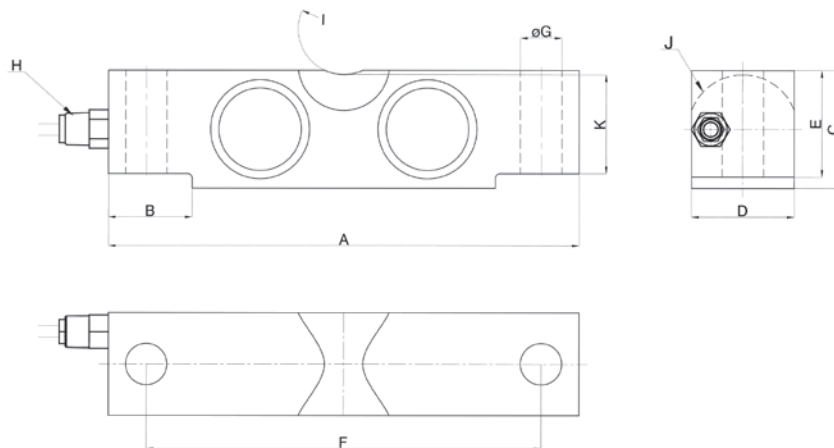


**Order Information**

Load Rating	Part #	Est. Weight	Price
<b>NTEP Certified 35 ft Cable</b>			
20,000 lb	197797	8 lb	\$927.00
25,000 lb	197798	8 lb	\$927.00
40,000 lb	198430	13 lb	\$1,160.00
50,000 lb	197799	19 lb	\$1,160.00
60,000 lb	197800	19 lb	\$1,160.00
75,000 lb	197801	19 lb	\$1,160.00
100,000 lb	197803	40 lb	Consult
125,000 lb	197804	40 lb	Consult
<b>Non-NTEP Certified 35 ft Cable</b>			
10,000 lb	197796	8 lb	\$864.00
<b>NTEP Certified 60 ft Cable</b>			
75,000 lb	197802	20 lb	\$1,240.00

**Dimensions**

Rated Capacity	A	B	C	D	E	F	ØG	H	I	J	K
lb/in											
10,000 to 25,000	7.75	1.38	1.94	1.69	1.70	6.50	0.68	1/4-18 NPT	R19.1	R22.9	1.63
40,000	10.25	1.93	2.44	1.94	2.10	8.50	0.81	1/4-18 NPT	R25.4	R28.5	2.00
50,000 to 75,000	10.25	1.93	2.94	2.44	2.65	8.50	1.06	1/2-14 NPT	R25.4	R34.8	2.54
100,000 to 125,000	15.25	3.13	3.86	2.90	3.43	12.75	1.62	1/2-14 NPT	R38.1	R45.7	3.30



**Interchangeable Products**

VPG® SENSORTRONICS®  
**65058S**.....page 310

**Weigh Module Available**

RICE LAKE WEIGHING SYSTEMS  
**RL2100HE**..... page 36  
 RICE LAKE WEIGHING SYSTEMS  
**MVS**..... page 86

**Specifications**

- Full Scale Output:**  
3.0 mV/V
- Output Resistance:**  
700 (± 7) ohm
- Input Resistance:**  
700 (± 14) ohm
- Material/Finish:**  
Stainless steel
- Temperature:**  
Compensated range  
14 °F to 104 °F (-10 °C to 40 °C)  
Operating range  
0 °F to 150 °F (-18 °C to 65 °C)
- Seal Type:**  
Hermetically sealed, IP68/IP69K
- Safe Overload:**  
150% full scale
- Safe Sideload:**  
100% full scale
- Rated Excitation:**  
5 to 10 VDC (15 V maximum)
- Combined Error:**  
0.02% full scale
- Insulation Resistance:**  
5,000 megohm
- Cable Length:**  
35 ft  
60 ft
- Cable Diameter:**  
10,000 to 25,000 lb: 0.200 in  
40,000 to 125,000 lb: 0.305 in  
Polyurethane jacket
- Cable Coloring Code:**  
Red +Excitation  
Black -Excitation  
Green +Signal  
White -Signal
- Warranty:**  
Two-year limited
- Approvals:**  
cFMus  
NTEP 20-081

**RICE LAKE  
LOAD CELLS**

DOUBLE-ENDED BEAM  
**RL75060S**

Stainless Steel, Welded Seal, NTEP Certified 1:5,000 III/1:10,000 Class III Multiple Cell, IP67



Picture is a representation of actual product.

Approvals

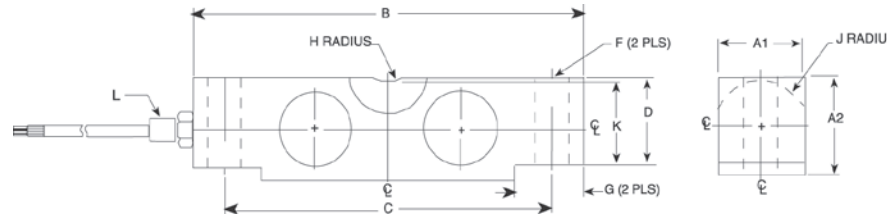


Order Information

Load Rating	Part #	Est. Weight	Price
<b>35 ft Cable</b>			
20,000 lb	53481	6 lb	\$927.00
25,000 lb	50559	6 lb	\$927.00
35,000 lb	50560	19 lb	\$1,160.00
50,000 lb	50561	19 lb	\$1,160.00
60,000 lb	50562	19 lb	\$1,095.00
75,000 lb	50563	19 lb	\$1,160.00
100,000 lb	50564	19 lb	\$2,115.00
<b>60 ft Cable</b>			
25,000 lb	157931	6 lb	\$1,050.00

Dimensions

Rated Capacity	F	A1	A2	B	C	G	H	J	K	D	L
lb/in											
20,000 to 25,000	0.68	1.69	1.94	7.75	6.50	1.38	0.75	0.90	1.63	1.70	1/4-18 NPT
35,000 to 75,000	1.06	2.44	2.94	10.25	8.50	1.93	1.00	1.37	2.54	2.65	1/2-14 NPT
100,000	1.06	2.44	3.44	10.25	8.50	1.93	1.00	1.37	2.54	2.65	1/2-14 NPT



Weigh Module Available

- RICE LAKE WEIGHING SYSTEMS  
**MVS**..... page 86
- RICE LAKE WEIGHING SYSTEMS  
**RL2100HE**..... page 36

Specifications

- Full Scale Output:**  
3.0 mV/V
- Output Resistance:**  
699 to 707 ohm
- Input Resistance:**  
686 to 714 ohm
- Material/Finish:**  
Stainless steel
- Temperature:**  
Compensated range  
14 °F to 104 °F (-10 °C to 40 °C)  
Operating range  
0 °F to 150 °F (-18 °C to 65 °C)
- Seal Type:**  
Welded-seal, IP67
- Safe Overload:**  
150% full scale
- Safe Sideload:**  
100% full scale
- Rated Excitation:**  
5 to 10 VDC (15 V maximum)
- Combined Error:**  
0.02% full scale
- Insulation Resistance:**  
1,000 megohm
- Cable Length:**  
35 ft  
60 ft
- Cable Diameter:**  
20,000 to 25,000 lb: 0.200 in  
35,000 to 100,000 lb: 0.305 in  
Polyurethane jacket
- Cable Coloring:**  
Red +Excitation  
Black -Excitation  
Green +Signal  
White -Signal
- Warranty:**  
Two-year limited
- Approvals:**  
cFMus  
NTEP 96-027

RICE LAKE  
LOAD CELLS



Picture is a representation of actual product.

### Approvals

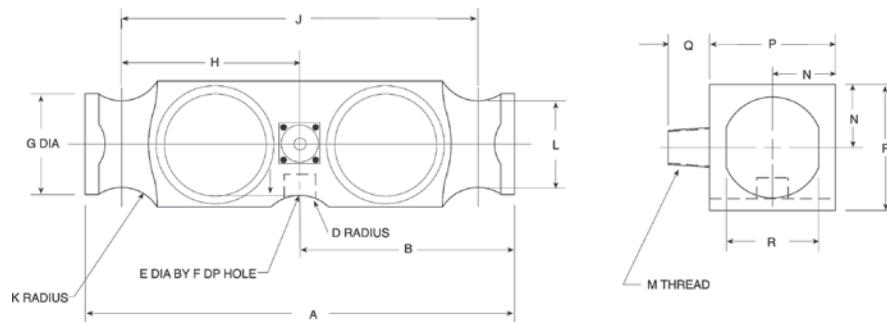


### Order Information

Load Rating	Part #	Est. Weight	Price
<b>40 ft Cable</b>			
50,000 lb	<b>21611</b>	20 lb	\$900.00
65,000 lb	<b>21612</b>	20 lb	\$900.00
100,000 lb	<b>21613</b>	20 lb	\$1,160.00
<b>60 ft Cable</b>			
50,000 lb	<b>107583</b>	20 lb	\$980.00

### Dimensions

Rated Capacity	A	B	D	E	F	G	H	J	K	L	M	N	P	Q	R
50,000 to 65,000 lb/in	10.25	5.12	1.00	0.75	0.78	2.40	4.25	8.50	1.00	2.06	1/2-14 NPT	1.50	3.00	1.03	2.20
100,000 lb/in	10.25	5.12	1.00	—	—	2.40	4.25	8.50	1.00	2.06	1/2-14 NPT	1.50	3.00	1.03	2.20



### Interchangeable Products

- VPG® REVERE  
**5223** .....page 273
- VPG® SENSORTRONICS®  
**65040A-XX-1127W**..... page 314
- ARTECH®  
**80210**
- THURMAN®  
**TSC 800**
- UNIBRIDGE®  
**DL9000**

### Weigh Module Available

- RICE LAKE WEIGHING SYSTEMS  
**Translink**.....page 87

### Specifications

- Full Scale Output:**  
3.0 mV/V
- Output Resistance:**  
699 to 707 ohm
- Input Resistance:**  
686 to 714 ohm
- Material/Finish:**  
High-alloy steel
- Temperature:**  
Compensated range  
14 °F to 104 °F (-10 °C to 40 °C)  
Operating range  
0 °F to 150 °F (-18 °C to 65 °C)
- Seal Type:**  
Welded-seal, IP67
- Safe Overload:**  
150% full scale
- Safe Sideload:**  
100% full scale
- Rated Excitation:**  
5-10 VDC (15 V maximum)
- Non-repeatability:**  
0.01% full scale
- Combined Error:**  
0.03% full scale
- Insulation Resistance:**  
5,000 megohm
- Deflection at Capacity:**  
50,000 lb: 0.018 in  
65,000 lb: 0.022 in  
100,000 lb: 0.034 in
- Cable Length:**  
40 ft  
60 ft
- Cable Diameter:**  
0.305 in polyurethane jacket
- Cable Color Code:**  
Red +Excitation  
Black -Excitation  
Green +Signal  
White -Signal
- Warranty:**  
Two-year limited
- Approvals:**  
cFMus  
NTEP 97-126

**RICE LAKE  
LOAD CELLS**

# RLDB50000S

Stainless Steel, Welded Seal, NTEP Certified 1:10,000 IIIIL Multiple Cell, IP67



Picture is a representation of actual product.

### Approvals

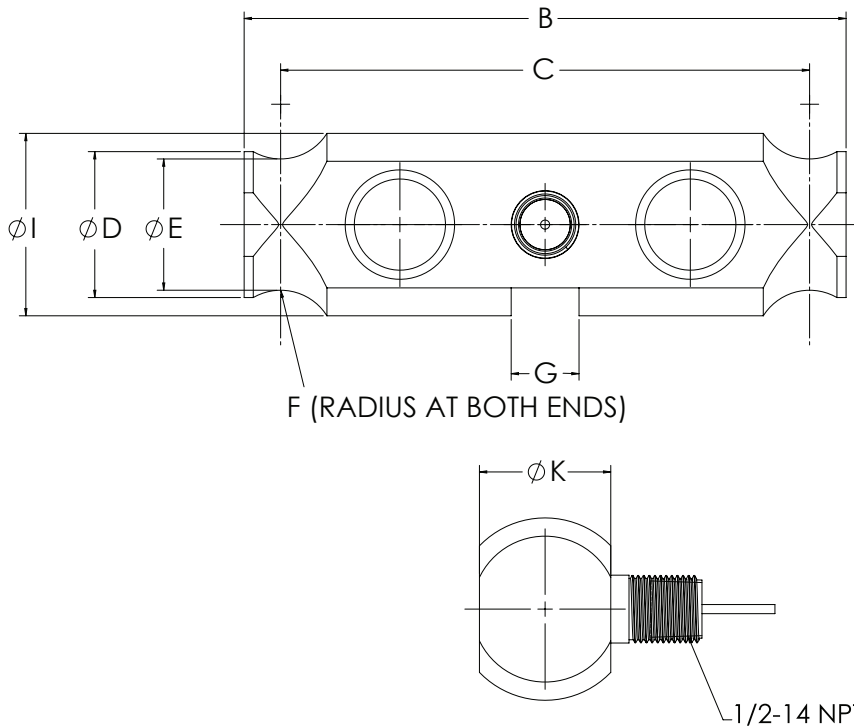


### Order Information

Load Rating	Part #	Est. Weight	Price
50,000 lb	91765	10 lb	\$1,266.00

### Dimensions

Rated Capacity	B	C	D	E	F	G	K	I
50,000 lb/in	8.25	7.25	2.00	1.76	0.75	0.93	1.80	2.50



### Interchangeable Products

CARDINAL®  
DB50000S

### Specifications

- Full Scale Output:**  
2.0 ± 0.1% mV/V
- Output Resistance:**  
699 to 707 ohm
- Input Resistance:**  
686 to 714 ohm
- Material/Finish:**  
Stainless steel
- Temperature:**  
Compensated range  
14 °F to 104 °F (-10 °C to 40 °C)  
Operating range  
0 °F to 150 °F (-18 °C to 65 °C)
- Seal Type:**  
Welded-seal, IP67
- Safe Overload:**  
150% full scale
- Safe Sideload:**  
100% full scale
- Rated Excitation:**  
5 to 10 VDC (15 V maximum)
- Non-repeatability:**  
0.01% full scale
- Combined Error:**  
0.03% full scale
- Insulation Resistance:**  
5,000 megohm
- Deflection at Capacity:**  
0.01 in
- Cable Length:**  
35 ft
- Cable Diameter:**  
0.305 in  
Polyurethane jacket
- Cable Color Code:**  
Red +Excitation  
Black -Excitation  
White +Signal  
Green -Signal
- Warranty:**  
Two-year limited
- Approvals:**  
cFMus  
NTEP 92-018

RICE LAKE  
LOAD CELLS



Picture is a representation of actual product.

**Approvals**



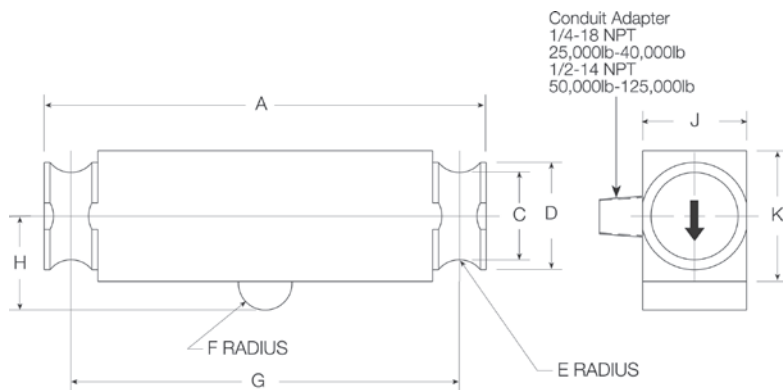
**Order Information**

Load Rating	Part #	Est. Weight	Price
<b>35 ft Cable</b>			
25,000 lb	<b>21614</b>	11 lb	\$673.00
40,000 lb	<b>21615</b>	12 lb	\$805.00
50,000 lb LE	<b>21616</b>	17 lb	\$885.00
60,000 lb LE	<b>21617</b>	17 lb	\$885.00
75,000 lb	<b>21618</b>	17 lb	\$885.00
100,000 lb	<b>21619</b>	40 lb	\$1,669.00
125,000 lb	<b>21620</b>	40 lb	\$1,669.00
<b>40 ft Cable</b>			
50,000 lb SE	<b>87253</b>	11 lb	\$805.00
60,000 lb SE	<b>53593</b>	11 lb	\$805.00
<b>50 ft Cable</b>			
50,000 lb LE	<b>21621</b>	18 lb	\$917.00
60,000 lb LE	<b>21622</b>	18 lb	\$917.00
75,000 lb	<b>40951</b>	18 lb	\$917.00

SE=small envelope; LE=large envelope

**Dimensions**

Rated Capacity	A	C	D	E	F	G	H	J	K
lb/in									
25,000 to 60,000 SE	8.25	1.63	2.00	0.50	0.50	7.25	1.75	1.94	2.44
50,000 LE to 75,000	11.50	1.70	2.20	0.75	1.00	10.00	2.00	1.94	2.94
100,000 to 125,000	14.50	2.44	3.20	1.00	1.50	12.50	2.75	2.90	3.86



**Interchangeable Products**

- VPG® SENSORTRONICS®
- 65040A** .....page 312
- ARTECH®
- 80310**
- THURMAN®
- TSC 840**
- SENTRAN
- WD1**
- ANYLOAD
- 102TH**

**Weigh Module Available**

- RICE LAKE WEIGHING SYSTEMS
- Translink™** .....page 87

**Specifications**

- Full Scale Output:**  
3.0 mV/V
- Output Resistance:**  
700 (± 5) ohm
- Input Resistance:**  
770 (± 10) ohm
- Material/Finish:**  
High-alloy steel, nickel plated
- Temperature:**  
Compensated range  
14 °F to 104 °F (-10 °C to 40 °C)  
Operating range  
0 °F to 150 °F (-18 °C to 65 °C)
- Seal Type:**  
Environmentally sealed, IP67
- Safe Overload:**  
150% full scale
- Safe Sideload:**  
100% full scale
- Rated Excitation:**  
5 to 10 VDC (15 V maximum)
- Combined Error:**  
0.03% full scale
- Insulation Resistance:**  
1,000 megohm
- Cable Length:**  
35 ft  
40 ft  
50 ft
- Cable Diameter:**  
25,000 lb: 0.200 in  
40,000 to 75,000 lb: 0.305 in polyurethane jacket
- Cable Coloring Code:**  
Red +Excitation  
Black -Excitation  
Green +Signal  
White -Signal
- Warranty:**  
Two-year limited
- Approvals:**  
cFMus  
NTEP 00-027

**RICE LAKE  
LOAD CELLS**

# RLCSP1

Stainless Steel, Welded Seal, NTEP Certified 1:10,000 Class III L Multiple Cell, IP67



Picture is a representation of actual product.

Approvals

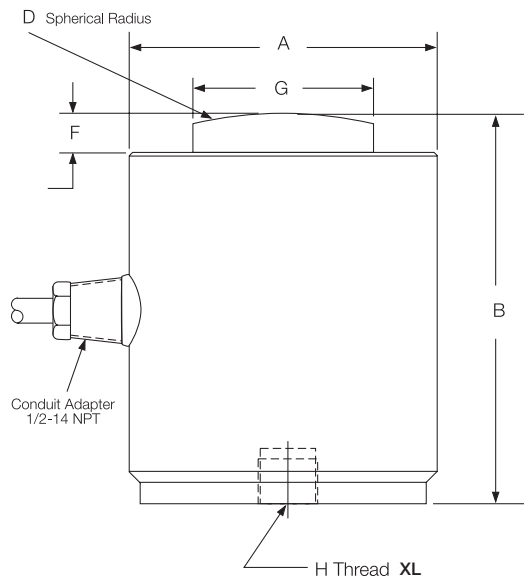


### Order Information

Load Rating	Part #	Est. Weight	Price
<b>35 ft Cable</b>			
25,000 lb	32702	7 lb	\$1,903.00
50,000 lb	32701	7 lb	\$1,903.00
100,000 lb	32700	15 lb	\$2,226.00
200,000 lb	32699	28 lb	\$3,175.00
<b>80 ft Cable</b>			
200,000 lb	197788	30 lb	\$3,312.00

### Dimensions

Rated Capacity	A	B	D	F	G	H	L-DEPTH
lb/in							
25,000 to 50,000	3.00	3.25	6.00	0.40	1.25	1/2-20 UNF	0.31
100,000	4.00	5.00	6.00	0.51	2.31	3/4-16 UNF	0.56
200,000	6.00	7.25	17.00	1.04	3.13	3/4-16 UNF	0.75



RICE LAKE  
LOAD CELLS

### Interchangeable Products

- VPG® REVERE
- CSP** ..... page 281
- VPG® SENSORTRONICS®
- 65088-1000**
- VPG® REVERE
- 692B**
- HOWE RICHARDSON®
- 244699-000X**
- STREETER AMET®
- 3760XXX**

### Weigh Module Available

- RICE LAKE WEIGHING SYSTEMS
- MagnaMount** ..... page 89

### Specifications

- Full Scale Output:**  
2.0 mV/V
- Output Resistance:**  
475.2 to 484.8 ohm
- Input Resistance:**  
445.5 to 454.5 ohm
- Material/Finish:**  
Stainless steel
- Temperature:**  
Compensated range  
14 °F to 104 °F (-10 °C to 40 °C)  
Operating range  
0 °F to 150 °F (-18 °C to 65 °C)
- Seal Type:**  
Welded-seal, IP67
- Safe Overload:**  
150% full scale
- Rated Excitation:**  
5 to 10 VDC (15 V maximum)
- Combined Error:**  
0.03% full scale
- Non-repeatability:**  
0.01% full scale
- Insulation Resistance:**  
1,000 megohm
- Deflection at Capacity:**  
25,000 to 50,000 lb: 0.003 in  
100,000 to 125,000 lb: 0.006 in
- Cable Length:**  
35 ft  
80 ft
- Cable Diameter:**  
0.305 in polyurethane jacket
- Cable Color Code:**  
Green +Excitation  
Black -Excitation  
White +Signal  
Red -Signal  
Orange Shield
- Warranty:**  
Two-year limited
- Approvals:**  
NTEP 95-140



Picture is a representation of actual product.

**Approvals**

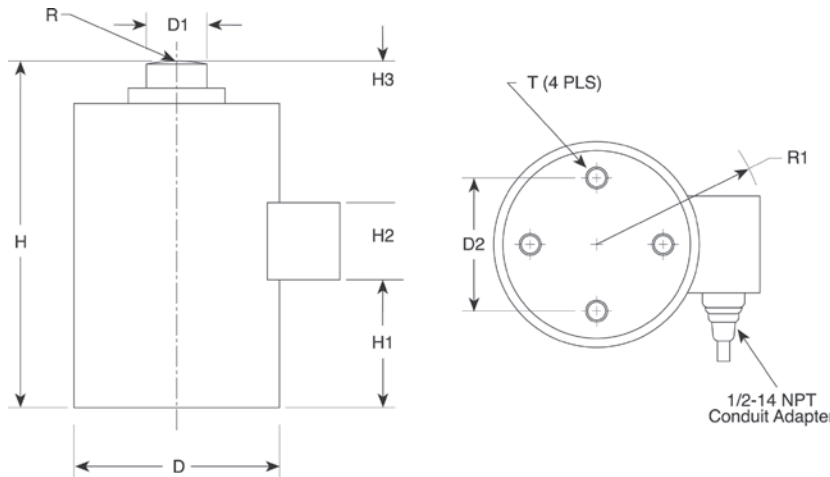


**Order Information**

Load Rating	Part #	Est. Weight	Price
50,000 lb	<b>34855</b>	20 lb	\$2,325.00
100,000 lb	<b>34856</b>	36 lb	\$2,325.00
200,000 lb	<b>34857</b>	75 lb	\$3,598.00

**Dimensions**

Rated Capacity	D	D1	D2	H	H1	H2	H3	R	R1	T
lb/in										
50,000	4.50	1.25	2.38	7.50	1.17	0.75	0.75	8.00	3.75	3/8-24 UNF × .63 DP
100,000	5.75	1.75	4.00	9.13	2.00	0.87	1.05	12.00	4.05	1/2-20 UNF × .75 DP
200,000	7.50	2.50	5.50	11.63	2.93	0.97	0.97	12.00	5.11	5/8-18 UNF × 25.4 DP



**Interchangeable Products**

VPG® REVERE  
**792** ..... page 282

**Specifications**

- Full Scale Output:**  
2.0 mV/V
- Output Resistance:**  
350 (± 3.5) ohm
- Input Resistance:**  
350 (± 3.5) ohm
- Material/Finish:**  
Stainless steel
- Temperature:**  
Compensated range  
14 °F to 104 °F (-10 °C to 40 °C)  
Operating range  
0 °F to 150 °F (-18 °C to 65 °C)
- Seal Type:**  
Hermetically sealed, IP68
- Safe Overload:**  
150% full scale
- Rated Excitation:**  
10 VDC (15 V maximum)
- Non-repeatability:**  
0.01% full scale
- Combined Error:**  
0.03% full scale
- Insulation Resistance:**  
> 1,000 megohm
- Deflection at Capacity:**  
50,000 lb: 0.004 in  
100,000 lb: 0.006 in  
200,000 lb: 0.009 in
- Cable Length:**  
35 ft
- Cable Color Code:**  
Green +Excitation  
Black -Excitation  
White +Signal  
Red -Signal  
Orange Shield
- Warranty:**  
Two-year limited
- Approvals:**  
cFMus  
NTEP 92-218

**RICE LAKE  
LOAD CELLS**

ROCKER COLUMN  
**RLSCA-50K**

Stainless Steel, Welded Seal, NTEP Certified 1:10,000 Class III Multiple Cell, IP67



Picture is a representation of actual product.

Approvals



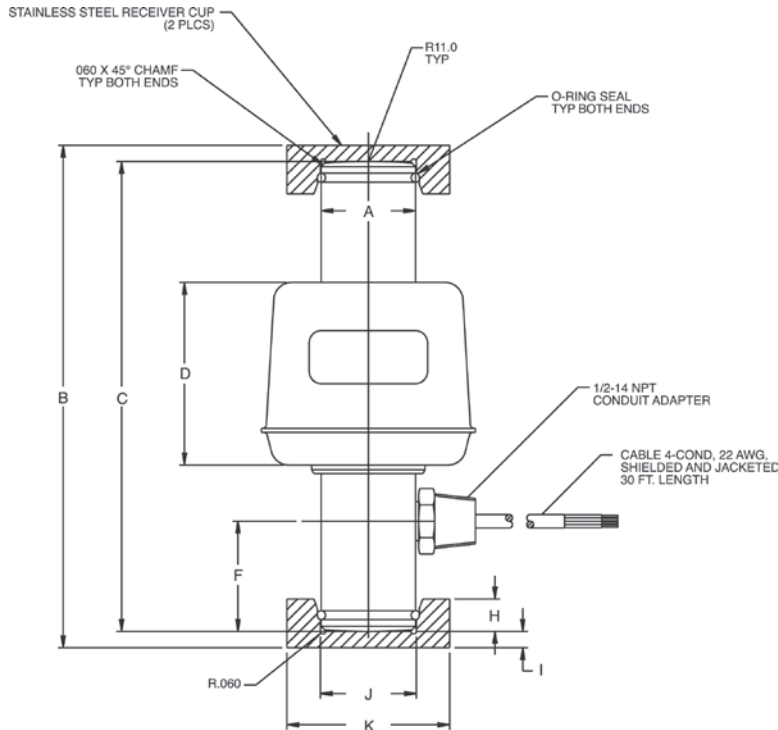
Order Information

Load Rating	Part #	Est. Weight	Price
50,000 lb*	<b>68918</b>	7 lb	\$1,055.00
Replacement Parts			
Replacement load cup set upper and lower included	<b>85433</b>	1 lb	\$100.00
Replacement O-ring	<b>92988</b>	1 lb	\$1.00/each

\*Load cell supplied with load cups

Dimensions

Rated Capacity	A	B	C	D	F	H	I	J	K
50,000 lb/in	1.46	7.75	7.25	2.82	1.70	0.50	0.25	1.48	2.50



Interchangeable Products

CARDINAL®  
**SCA-50K**

Specifications

- Full Scale Output:**  
2 mV/V nominal
- Output Resistance:**  
1,050 (± 10) ohm
- Input Resistance:**  
1,100 to 1,500 ohm
- Material/Finish:**  
Stainless steel
- Temperature:**  
Compensated range  
14 °F to 104 °F (-10 °C to 40 °C)  
Operating range  
0 °F to 150 °F (-18 °C to 65 °C)
- Seal Type:**  
Welded-seal, IP67
- Safe Overload:**  
150% full scale
- Rated Excitation:**  
5 to 10 VDC (15 V maximum)
- Combined Error:**  
0.025% full scale
- Non-repeatability:**  
0.01% full scale
- Insulation Resistance:**  
1,000 megohm
- Cable Length:**  
30 ft
- Cable Diameter:**  
0.200 in  
Polyurethane jacket
- Cable Color Code:**  
Green +Excitation  
Black -Excitation  
Red +Signal  
White -Signal
- Warranty:**  
Two-year limited
- Approvals:**  
NTEP 01-073  
cFMus

RICE LAKE  
LOAD CELLS



# RL70510/RL80453

Stainless Steel, Hermetically Sealed, NTEP Certified 1:10,000 Class III L, IP69K



Picture is a representation of actual product.

### Approvals



### Order Information: RL70510

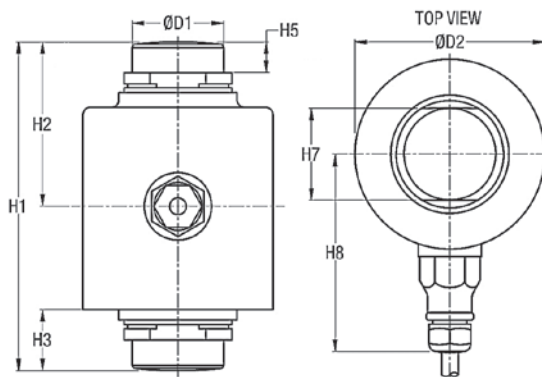
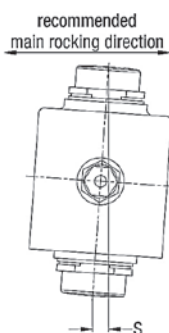
Load Rating	Part #	Est. Weight	Price
30t	169363	6 lb	\$1,044.00
Upper load cup	109332	4 lb	\$143.00
Lower load cup	109331	4 lb	\$116.00

### Order Information: RL80453

Load Rating	Part #	Est. Weight	Price
100,000 lb	169365	6 lb	\$1,070.00
Upper load cup	109332	4 lb	\$143.00
Lower load cup	109331	4 lb	\$116.00

### Dimensions

Rated Capacity	H1	H2	H3	H5	H7	H8	D1	D2
t/in								
30	5.51	2.76	1.02	0.51	1.54	3.32	1.54	3.18
lb/in								
100,000	5.91	2.95	1.30	0.51	1.54	3.32	1.54	3.18



### Interchangeable Products

FAIRBANKS®	
70510	LCF HR 4020-2A
FAIRBANKS	
80453	LCF HR 4020-21

### Specifications

#### Full Scale Output:

2.0 mV/V

#### Output Resistance:

1,000 (± 2) ohm

#### Input Resistance:

1,150 (± 50) ohm

#### Material/Finish:

Stainless steel

#### Temperature:

Compensated range

14 °F to 104 °F (-10 °C to 40 °C)

Operating range

0 °F to 150 °F (-18 °C to 65 °C)

#### Seal Type:

Hermetically sealed, IP69K

#### Safe Overload:

200% full scale

#### Rated Excitation:

5 to 10 VDC (15 V max)

#### Combined Error:

0.02% full scale

#### Insulation Resistance:

5,000 megohm

#### Cable Length:

15 ft

#### Cable Diameter:

0.200 in

Stainless steel overbraid cable

#### Cable Color Code:

Green +Excitation

Black -Excitation

White +Signal

Red -Signal

Yellow Shield

#### Warranty:

Two-year limited

#### Approvals:

NTEP 15-057

RICE LAKE  
LOAD CELLS

# RL75114-50K

Stainless Steel, Welded Seal, NTEP Certified 1:10,000 Class III L, IP67



Picture is a representation of actual product.

### Approvals



### Order Information

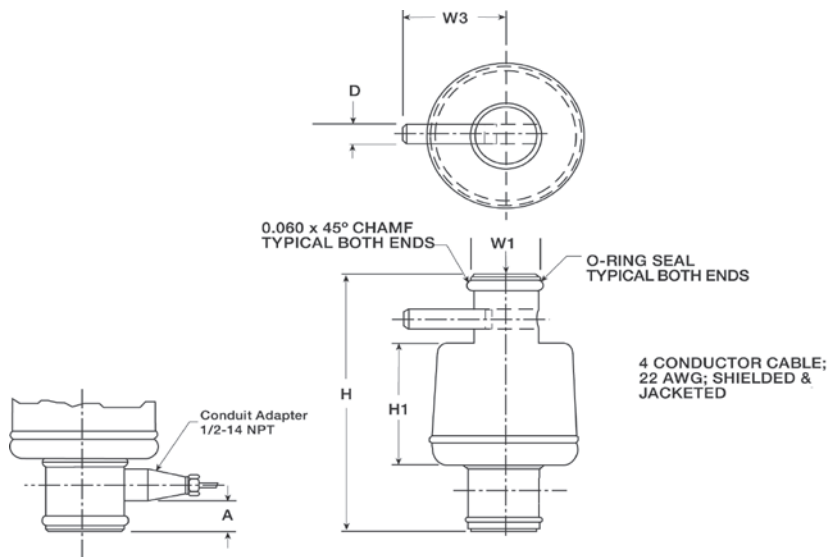
Load Rating	Part #	Est. Weight	Price
50,000 lb LE	88074	6 lb	\$1,266.00
Replacement Parts			
Replacement O-ring	92988	1lb	\$1.00
Spring pin	116181	1 lb	\$5.00

LE=Large envelope

Not interchangeable with Sensortronics 65114 - different mV/V

### Dimensions

Rated Capacity	A	D	H	H1	W1	W3
50,000 LE	0.87	0.38	7.56	2.82	1.46	2.18



### Interchangeable Products

FAIRBANKS®

64166..... LCF HR 4020-2

### Specifications

**Full Scale Output:**

1.8 mV/V nominal

**Output Resistance:**

1,000 (± 10) ohm

**Input Resistance:**

1,000 ohm

**Material/Finish:**

Stainless steel

**Temperature:**

Compensated range

14 °F to 104 °F (-10 °C to 40 °C)

Operating range

0 °F to 150 °F (-18 °C to 65 °C)

**Seal Type:**

Welded-seal, IP67

**Safe Overload:**

150% full scale

**Rated Excitation:**

5 to 10 VDC

**Combined Error:**

0.025% full scale

**Non-repeatability:**

0.01% full scale

**Insulation Resistance:**

1,000 megohm

**Cable Length:**

30 ft

**Cable Diameter:**

0.200 in overbraid cable

**Cable Color Code:**

Green +Excitation

Black -Excitation

White +Signal

Red -Signal

**Warranty:**

Two-year limited

**Approvals:**

NTEP 06-022

cFMus



25K shown

5K shown

Load cup sold separately on 5,000 and 10,000 lb models.

Picture is a representation of actual product.

**Approvals**



**Order Information**

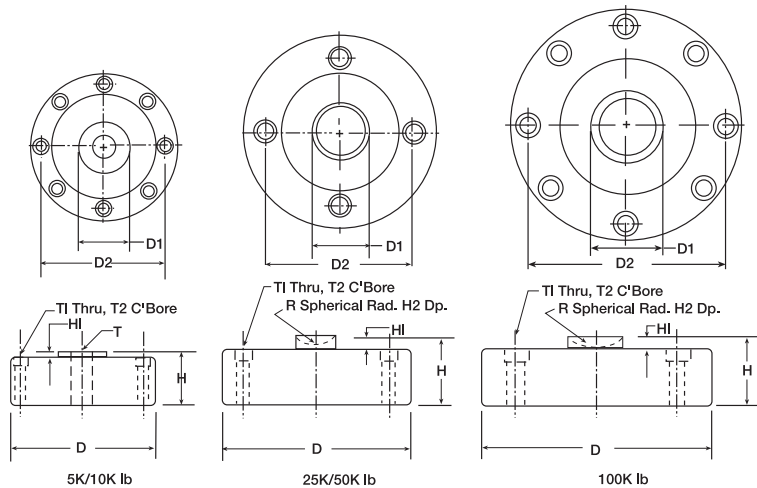
Load Rating	Part #	Est. Weight	Price
5,000 lb*	<b>33061</b>	6 lb	\$689.00
10,000 lb*	<b>33062</b>	6 lb	\$689.00
25,000 lb	<b>33063</b>	9 lb	\$843.00
50,000 lb	<b>33064</b>	9 lb	\$843.00
100,000 lb	<b>33065</b>	13 lb	\$990.00
Load Cup**	<b>33616</b>		\$37.00

\*5,000lb and 10,000lb models can be used in compression and tension load applications.

\*\*Load cup, PN 33616, is required for compression applications on 5,000lb and 10,000lb capacity load cells.

**Dimensions**

Rated Capacity	T	R	D	D1	D2	H	H1	H2	T1	T2
lb/in										
5,000* to 10,000*	5/8-18 UNF-3B	—	4.12	1.26	3.50	1.37	0.12	—	0.28	0.406 x 0.283 DP
25,000 to 50,000	—	0.875	4.75	1.53	4.00	2.12	0.50	0.30	0.34	0.508 x 0.38 DP
100,000	—	0.875	5.50	1.98	4.60	2.25	0.25	0.30	0.41	0.626 x 0.4 DP



**Interchangeable Products**

VPG® CELTRON

LCD ..... page 213

**Specifications**

**Full Scale Output:**

4.0 mV/V

**Output Resistance:**

5,000 to 50,000 lb: 350 (± 3) ohm  
100,000 lb: 700 (± 5) ohm

**Input Resistance:**

5,000 to 50,000 lb: 385 (± 5) ohm  
100,000 lb: 770 (± 70) ohm

**Material/Finish:**

High-alloy steel, nickel plated

**Temperature:**

Operating range  
0 °F to 150 °F (-18 °C to 65 °C)

**Seal Type:**

Environmentally sealed, IP67

**Safe Overload:**

150% full scale

**Safe Sideload:**

100% full scale

**Rated Excitation:**

15 VDC (15 V maximum)

**Nonlinearity:**

0.05% full scale

**Hysteresis:**

0.02% full scale

**Insulation Resistance:**

2,000 megohm

**Cable Length:**

50 ft

**Cable Diameter:**

5,000 to 25,000 lb: 0.200 in  
50,000 to 100,000 lb: 0.305 in Polyurethane jacket

**Cable Color Code:**

Red +Excitation  
Black -Excitation  
Green +Signal  
White -Signal

**Warranty:**

Two-year limited

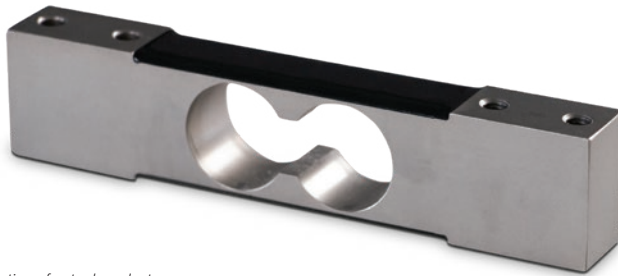
**Approvals:**

cFMus

**RICE LAKE  
LOAD CELLS**

SINGLE POINT  
**RLPC3SS**

Stainless Steel, Environmentally Sealed, NTEP Certified 1:3,000 Class III Single Cell, IP67



Picture is a representation of actual product.

Approvals

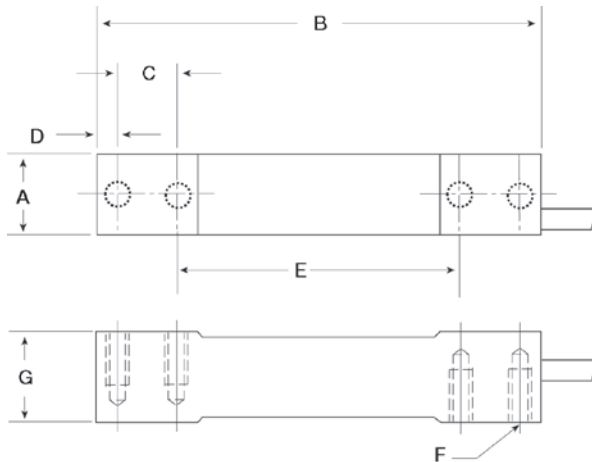


Order Information

Load Rating	Part #	Est. Weight	Price
7 kg	205274	2 lb	\$328.00
10 kg	205275	2 lb	\$328.00
30 kg	205276	2 lb	\$328.00
60 kg	205277	2 lb	\$328.00
100 kg	205278	2 lb	\$328.00
150 kg	205279	2 lb	\$328.00

Dimensions

Rated Capacity	A	B	C	D	E	F	G
kg/mm							
7 to 10	18.4	139.8	19.0	6.6	88.7	M6 × 1.0	30.1
30 to 60	18.4	139.8	19.0	6.6	88.7	M6 × 1.0	30.0
100 to 150	30.2	139.7	22.3	7.8	79.2	3/8-16 UNC	30.7



Interchangeable Products

RICE LAKE WEIGHING SYSTEMS	
<b>RL1380</b> .....	page 176
FLINTEC	
<b>PC3</b> .....	page 230
HBK®	
<b>PWS</b> .....	page 245

Specifications

Full Scale Output:

2 mV/V

Output Resistance:

350 (± 10) ohm

Input Resistance:

385 (± 15) ohm

Material Finish:

Stainless steel

Temperature Compensation:

Compensated range  
14 °F to 104 °F (-10 °C to 40 °C)  
Operating range  
0 °F to 150 °F (-18 °C to 65 °C)

Seal Type:

Environmentally sealed, IP67

Safe Overload:

150% full scale

Rated Excitation:

5 to 10 VDC

Insulation Resistance:

5,000 megohm

Max Platform Size:

7 kg to 30 kg: 350 × 350 mm  
60 kg to 150 kg: 450 × 450 mm

Combined Error:

0.02% full scale

Cable Length:

10 ft

Cable Diameter:

0.140 in polyurethane jacket

Color Code:

Green +Excitation  
Black -Excitation  
White +Signal  
Red -Signal  
Yellow Shield

Warranty:

One-year limited

Approvals:

NTEP 21-017  
OIML R60/2017-A-NL1-21.17



Picture is a representation of actual product.

**Approvals**

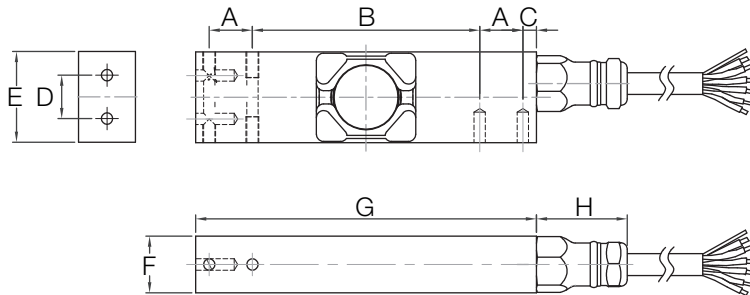


**Order Information**

Load Rating	Part #	Est. Weight	Price
10 kg	205270	3 lb	\$630.00
20 kg	205271	3 lb	\$630.00
50 kg	205272	3 lb	\$630.00
100 kg	205273	3 lb	\$630.00

**Dimensions**

Rated Capacity	A	B	C	D	E	F	G	H
kg/mm								
10 to 100	19.0	100.0	6.0	19.1	40.0	25.0	150.0	40.0



**Interchangeable Products**

- FLINTEC  
**PC4** ..... page 231
- HBK®  
**PW15AH\*** ..... page 244
- \*350 Ohm

**Specifications**

- Full Scale Output:**  
2 mV/V
- Output Resistance:**  
960 (± 50) ohm
- Input Resistance:**  
1100 (± 50) ohm
- Material Finish:**  
Stainless steel
- Temperature Compensation:**  
Compensated range  
14 °F to 104 °F (-10 °C to 40 °C)  
Operating range  
0 °F to 150 °F (-18 °C to 65 °C)
- Seal Type:**  
Hermetically sealed, IP69K
- Safe Overload:**  
150% full scale
- Rated Excitation:**  
5 to 10 VDC
- Insulation Resistance:**  
> 5,000 megohm
- Max Platform Size:**  
500 × 400 mm
- Combined Error:**  
0.02% full scale
- Cable Length:**  
10 ft
- Color Code:**  
Green +Excitation  
Black -Excitation  
White +Signal  
Red -Signal  
Blue +Sense  
Brown -Sense  
Yellow Shield
- Warranty:**  
One-year limited
- Approvals:**  
NTEP 21-016  
OIML R60/2017-A-NL1-21.18

**RICE LAKE  
LOAD CELLS**

SINGLE POINT  
**RLPC6**

Stainless Steel, Hermetically Sealed, NTEP Certified 1:5,000 Class III Single Cell, IP69K



Picture is a representation of actual product.

Approvals

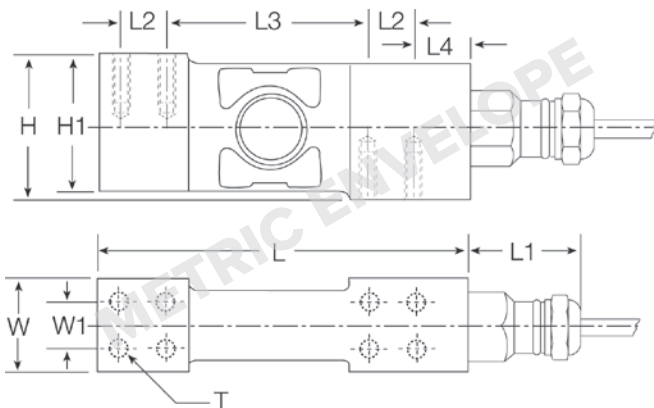


Order Information

Load Rating	Part #	Est. Weight	Price
10 kg	87027	3 lb	\$630.00
20 kg	87028	3 lb	\$630.00
50 kg	87029	3 lb	\$630.00
100 kg	87030	3 lb	\$630.00
200 kg	87031	3 lb	\$630.00

Dimensions

Rated Capacity	H	H1	L	L1	L2	L3	L4	W	W1	T
kg/mm										
10 to 200	48.0	45.5	123.0	41.0	15.2	67.6	17.8	30.1	15.2	8 x M6/15 DP



**Interchangeable Products**

FLINTEC  
PC6 ..... page 232

Specifications

- Full Scale Output:**  
2.0 mV/V
- Output Resistance:**  
960 (± 50) ohm, nominal
- Input Resistance:**  
1,100 (± 50) ohm
- Material/Finish:**  
Stainless steel
- Temperature:**  
Compensated range  
14 °F to 104 °F (-10 °C to 40 °C)  
Operating range  
0 °F to 150 °F (-18 °C to 65 °C)
- Seal Type:**  
Hermetically sealed, IP69K
- Safe Overload:**  
200% full scale
- Safe Sideload:**  
100% full scale
- Rated Excitation:**  
5 to 10 VDC
- Combined Error:**  
0.02% full scale
- Insulation Resistance:**  
5,000 megohm
- Cable Length:**  
10 ft
- Cable Diameter:**  
0.196 in  
Polyurethane jacket
- Cable Color Code:**  
Green +Excitation  
Black -Excitation  
White +Signal  
Red -Signal  
Yellow Shield
- Max Deflection:**  
0.006 to 0.010 in
- Max Platform Size:**  
24 × 24 in
- Warranty:**  
Two-year limited
- Approvals:**  
FM  
NTEP 06-011

RICE LAKE  
LOAD CELLS



Picture is a representation of actual product.

**Approvals**

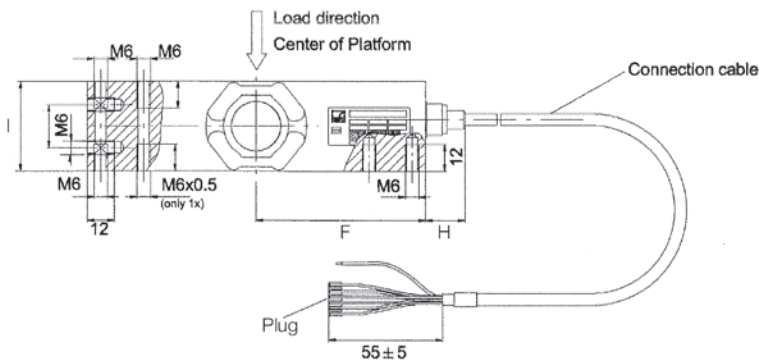


**Order Information**

Load Rating	Part #	Est. Weight	Price
<b>10 ft Cable</b>			
10 kg	<b>108685</b>	3 lb	\$768.00
20 kg	<b>108686</b>	3 lb	\$768.00
50 kg	<b>108687</b>	3 lb	\$768.00
100 kg	<b>108688</b>	3 lb	\$768.00
<b>2.83 ft Cable</b>			
10 kg	<b>107174</b>	3 lb	\$768.00
20 kg	<b>107175</b>	3 lb	\$768.00
50 kg	<b>107176</b>	3 lb	\$768.00
100 kg	<b>107177</b>	3 lb	\$768.00

**Dimensions**

Rated Capacity	B	E	F	G	H	I	J
kg/mm							
10 to 100	19.0	25.0	75.0	100.0	17.5	40.0	150.0



**Mounting:**  
Cylindrical head screw M6-10.9  
Tightening torque: 14 N·m

**Interchangeable Products**

HBK®  
PW15AH ..... page 244

**Specifications**

**Full Scale Output:**  
2.0 mV/V

**Output Resistance:**  
350 (± 10) ohm

**Input Resistance:**  
380 (± 15) ohm

**Material/Finish:**  
Stainless steel

**Temperature:**  
Compensated range  
14 °F to 104 °F (-10 °C to 40 °C)  
Operating range  
0 °F to 150 °F (-18 °C to 65 °C)

**Seal Type:**  
Hermetically sealed, IP69K

**Safe Overload:**  
150% full scale

**Rated Excitation:**  
5 to 10 VDC (15 V maximum)

**Combined Error:**  
0.02% full scale

**Insulation Resistance:**  
1,000 megohm

**Cable Length:**  
10 ft  
2.83 ft

**Cable Diameter:**  
0.212 in PVC jacket

**Platform Size:**  
500 × 400 mm

**Cable Color Code:**  
Blue +Excitation  
Black -Excitation  
White +Signal  
Red -Signal  
Green +Sense  
Grey -Sense

**Warranty:**  
Two-year limited

**Approvals:**  
FM  
NTEP 09-015

**RICE LAKE  
LOAD CELLS**

SINGLE POINT  
**RLPWM15**

Stainless Steel, Environmentally Sealed, NTEP Certified 1:5,000 Class III Single Cell, IP67



Picture is a representation of actual product.

Approvals

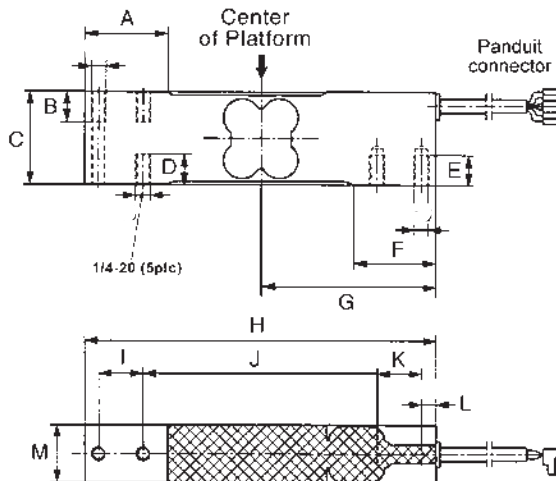


Order Information

Load Rating	Part #	Est. Weight	Price
10 kg	119904	1 lb	\$344.00
15 kg	119912	1 lb	\$344.00
20 kg	119905	1 lb	\$344.00
50 kg	119908	1 lb	\$344.00
75 kg	119909	1 lb	\$344.00
100 kg	119910	1 lb	\$344.00

Dimensions

Rated Capacity	A	B	C	D	E	F	G	H	I	J	K	L	M	T
kg/mm														
10 to 100	35.0	13.0	40.0	13.0	13.0	35.0	75.0	150.0	19.0	100.0	19.0	6.2	25.0	1/4-20 UNC



Interchangeable Products

- HBK®  
**PW15**..... page 243
- VPG® TEDEA-HUNTLEIGH  
**1142**..... page 334

Specifications

- Full Scale Output:**  
2.0 mV/V
- Bridge Resistance:**  
350 ohm, nominal
- Material/Finish:**  
Stainless steel
- Temperature:**  
Compensated range  
14 °F to 104 °F (-10 °C to 40 °C)  
Operating range  
0 °F to 150 °F (-18 °C to 65 °C)
- Seal Type:**  
Environmentally sealed, IP67
- Safe Overload:**  
150% full scale
- Rated Excitation:**  
5 to 10 VDC (15 V maximum)
- Combined Error:**  
0.02% full scale
- Insulation Resistance:**  
1,000 megohm
- Cable Length:**  
10 ft
- Cable Diameter:**  
0.190 in PVC jacket
- Max Platform Size:**  
15 × 15 in
- Cable Color Code:**  
Blue +Excitation  
Black -Excitation  
White +Signal  
Red -Signal  
Green +Sense  
Grey -Sense
- Warranty:**  
Two-year limited
- Approvals:**  
FM  
NTEP 11-038

RICE LAKE  
LOAD CELLS





Picture is a representation of actual product.

**Approvals**

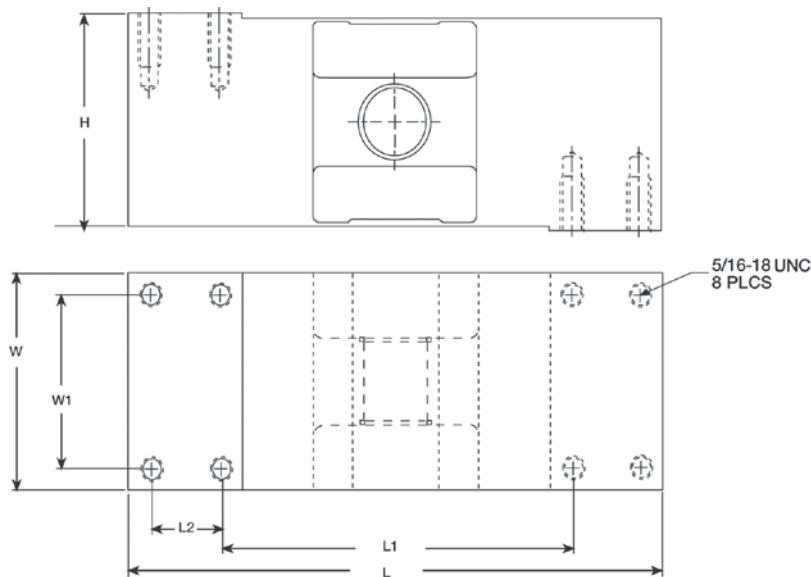


**Order Information**

Load Rating	Part #	Est. Weight	Price
50 kg	<b>87022</b>	12 lb	\$980.00
100 kg	<b>87023</b>	12 lb	\$980.00
250 kg	<b>87024</b>	13 lb	\$980.00
500 kg	<b>87025</b>	13 lb	\$980.00
1,000 kg	<b>87026</b>	15 lb	\$980.00

**Dimensions**

Rated Capacity	L	L1	L2	W	W1	H
kg/mm						
50 to 1,000	190.5	107.0	35.0	73.7	50.0	73.7



**Specifications**

**Full Scale Output:**

2 mv/v

**Output Resistance:**

960 (± 50) ohm

**Input Resistance:**

1,100 (± 50) ohm

**Material/Finish:**

Stainless steel

**Temperature:**

Compensated range

14 °F to 104 °F (-10 °C to 40 °C)

Operating range

0 °F to 150 °F (-18 °C to 65 °C)

**Seal Type:**

Hermetically sealed, IP69K

**Safe Overload:**

200% full scale

**Safe Sideload:**

100% full scale

**Rated Excitation:**

5 to 10 VDC

**Combined Error:**

0.020% full scale

**Insulation Resistance:**

5,000 megohm

**Cable Length:**

10 ft

**Cable Diameter:**

0.196 in

Polyurethane jacket

**Cable Color Code:**

Green +Excitation

Black -Excitation

White +Signal

Red -Signal

Blue +Sense

Brown -Sense

Yellow Shield

**Max Platform Size:**

24 × 24 in

**Warranty:**

Two-year limited

**Approvals:**

FM

NTEP 07-094

**RICE LAKE  
LOAD CELLS**

SINGLE POINT  
**RL1521A**

Aluminum, Environmentally Sealed, NTEP Certified 1:5,000 Class III Single Cell, IP66



Picture is a representation of actual product.

Approvals

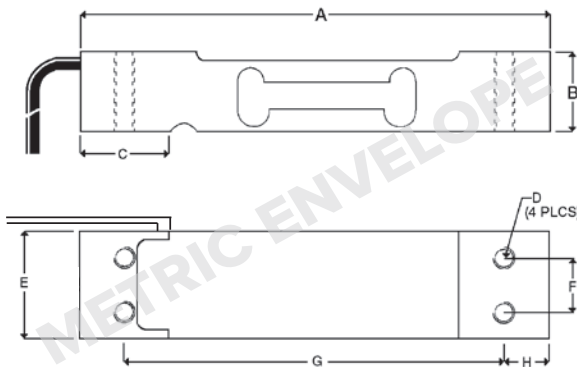


Order Information:

Load Rating	Part #	Est. Weight	Price
<b>1.50 ft Cables</b>			
3 kg	50620	1 lb	\$148.00
5 kg	50619	1 lb	\$148.00
7 kg	50621	1 lb	\$148.00
10 kg	50622	1 lb	\$148.00
15 kg	50623	1 lb	\$148.00
20 kg	50624	1 lb	\$148.00
30 kg	50625	1 lb	\$148.00
35 kg	50626	1 lb	\$148.00
<b>10 ft Cables</b>			
3 kg	132261	3 lb	\$148.00
5 kg	132262	3 lb	\$148.00
7 kg	132263	3 lb	\$148.00
10 kg	132264	3 lb	\$148.00
15 kg	132265	3 lb	\$148.00
20 kg	132266	3 lb	\$148.00
30 kg	132267	3 lb	\$148.00
35 kg	132268	3 lb	\$148.00

Dimension

Rated Capacity	A	B	C	D	E	F	G	H
kg/mm								
3 to 7	130.0	22.0	25.0	M6 × 1.0	25.4	15.0	106.0	12.0
10 to 30	130.0	22.0	25.0	M6 × 1.0	30.0	15.0	106.0	12.0
35	130.0	22.0	25.0	M6 × 1.0	40.0	15.0	106.0	12.0



Interchangeable Products

- VPG® CELTRON
- LPS except 3 kg .....page 211
- VPG® TEDEA-HUNTLEIGH
- 1022 ..... page 326
- VPG® BLH
- C2G1
- FAIRBANKS®
- 4900 Series
- Checkweighers
- NMB®
- C2G1
- ARTECH®
- 61022

Specifications

- Full Scale Output:**  
2.0 mV/V
- Output Resistance:**  
350 (± 3) ohm
- Input Resistance:**  
410 (± 15) ohm
- Material/Finish:**  
Aluminum
- Temperature:**  
Compensated range  
14 °F to 104 °F (-10 °C to 40 °C)  
Operating range  
0 °F to 150 °F (-18 °C to 65 °C)
- Seal Type:**  
Environmentally sealed, IP66
- Safe Overload:**  
150% full scale
- Rated Excitation:**  
5 to 10 VDC (15 V maximum)
- Combined Error:**  
0.03% full scale
- Insulation Resistance:**  
2,000 megohm
- Cable Length:**  
10 ft  
1.50 ft
- Cable Diameter:**  
0.14 in PVC jacket
- Cable Color Code:**  
Green +Excitation  
Black -Excitation  
Red +Signal  
White -Signal
- Max Platform Size:**  
13.75 × 13.75 in
- Warranty:**  
Two-year limited
- Approvals:**  
cFMus  
NTEP 98-166

RICE LAKE  
LOAD CELLS



Picture is a representation of actual product.

**Approvals**

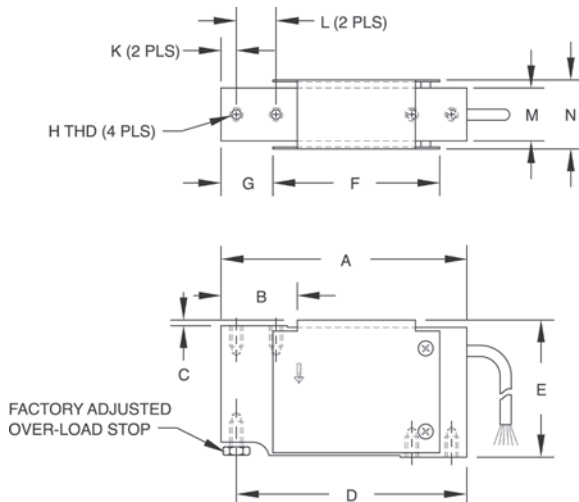


**Order Information**

Load Rating	Part #	Est. Weight	Price
<b>NTEP Certified, Potted</b>			
10 kg	50819	2 lb	\$205.00
15 kg	50820	2 lb	\$205.00
20 kg	50821	2 lb	\$205.00
30 kg	50822	2 lb	\$205.00
50 kg	50823	2 lb	\$205.00
<b>Non-NTEP Certified, Potted</b>			
7 kg	17529	2 lb	\$205.00
10 kg	17530	2 lb	\$205.00
15 kg	17531	2 lb	\$195.00
20 kg	17532	2 lb	\$205.00
30 kg	17533	2 lb	\$205.00
50 kg	17534	2 lb	\$205.00
90 kg	17535	2 lb	\$205.00
<b>Non-NTEP Certified, Unpotted</b>			
3 kg	17527	1 lb	\$190.00
5 kg	17528	1 lb	\$190.00

**Dimensions**

Rated Capacity	A	B	C	D	E	F	G	H	K	L	M	N
kg/mm												
3 to 90	118.1	34.0	3.0	110.5	66.0	80.0	25.0	1/4-20 UNC x 13 DP	7.5	19.1	25.4	33.5



**Interchangeable Products**

VPG® TEDEA-HUNTLEIGH  
1010/1015.....page 327

**Specifications**

- Full Scale Output:**  
2.0 mV/V
- Output Resistance:**  
350 (± 3) ohm, nominal
- Input Resistance:**  
415 (± 15) ohm
- Material/Finish:**  
Anodized aluminum
- Temperature:**  
Compensated range  
14 °F to 104 °F (-10 °C to 40 °C)  
Operating range  
0 °F to 150 °F (-18 °C to 65 °C)
- Seal Type:**  
Potted: IP67  
Unpotted: IP65
- Safe Overload:**  
150% at center of loading point, full scale
- Rated Excitation:**  
5 to 10 VDC (15 V maximum)
- Combined Error:**  
0.02% full scale
- Insulation Resistance:**  
5,000 megohm
- Deflection at Capacity:**  
0.015 in
- Cable Length:**  
Potted: 10 ft  
Unpotted: 3 ft
- Cable Diameter:**  
0.200 in PVC jacket
- Cable Color Code:**  
Green +Excitation  
Black -Excitation  
Red +Signal  
White -Signal  
Blue +Sense  
Brown -Sense
- Max Platform Size:**  
15.75 x 15.75 in
- Warranty:**  
Two-year limited
- Approvals:**  
cFMus  
NTEP 00-062

**RICE LAKE  
LOAD CELLS**

SINGLE POINT  
**RLSP4**

Aluminum, Environmentally Sealed, NTEP Certified 1:5,000 Class III Single Cell, IP66



Picture is a representation of actual product.

Approvals

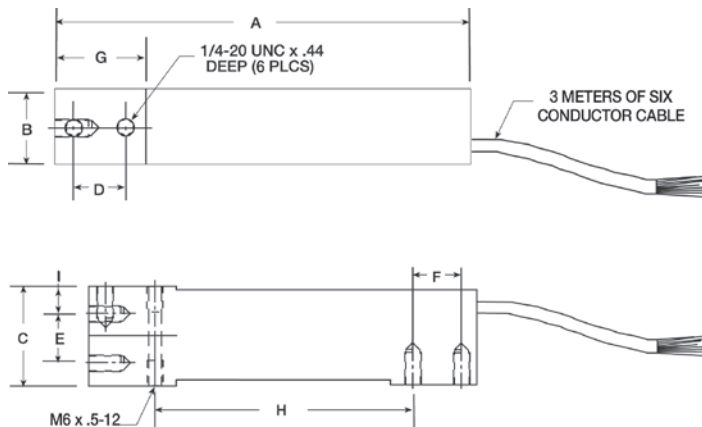


Order Information

Load Rating	Part #	Est. Weight	Price
<b>NTEP Certified</b>			
7 kg	91725	2 lb	\$222.00
10 kg	91726	2 lb	\$222.00
15 kg	91727	2 lb	\$222.00
20 kg	91728	2 lb	\$222.00
30 kg	91729	2 lb	\$222.00
50 kg	91730	2 lb	\$222.00
75 kg	91731	2 lb	\$222.00
100 kg	91732	2 lb	\$222.00

Dimensions

Rated Capacity	A	B	C	D	E	F	G	H	I
kg/mm									
5 to 100	150.3	25.4	39.9	19.1	19.1	19.1	33.8	99.6	11.4



Interchangeable Products

HBK®  
**SP4M**..... page 242

Specifications

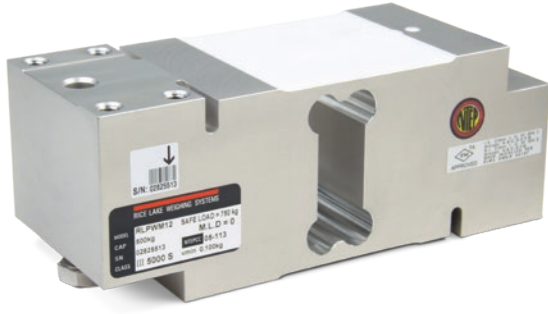
- Full Scale Output:**  
2.0 mV/V
- Output Resistance:**  
350 (± 3) ohm
- Input Resistance:**  
350 ohm
- Material/Finish:**  
Anodized aluminum
- Temperature:**  
Compensated range  
14 °F to 104 °F (-10 °C to 40 °C)  
Operating range  
0 °F to 150 °F (-18 °C to 65 °C)
- Seal Type:**  
Environmentally sealed, IP66
- Safe Overload:**  
150% full scale
- Rated Excitation:**  
5 to 10 VDC (15 V maximum)
- Combined Error:**  
0.02% full scale
- Insulation Resistance:**  
5,000 megohm
- Deflection at Capacity:**  
0.4 mm
- Cable Length:**  
10 ft
- Cable Diameter:**  
0.19 in PVC jacket
- Cable Color Code:**  
Green +Excitation  
Black -Excitation  
Red +Signal  
White -Signal  
Blue +Sense  
Brown -Sense  
Yellow Shield
- Max Platform Size:**  
5 to 10 kg: 12 × 12 in  
15 to 30 kg: 18 × 18 in  
50 to 100 kg: 24 × 24 in
- Warranty:**  
Two-year limited
- Approvals:**  
FM  
NTEP 05-114

RICE LAKE  
LOAD CELLS

**Limited Stock Available**

SINGLE POINT  
**RLPWM12**

Aluminum, Environmentally Sealed, NTEP Certified 1:5,000 Class III Single Cell, IP67



Picture is a representation of actual product.

**Approvals**

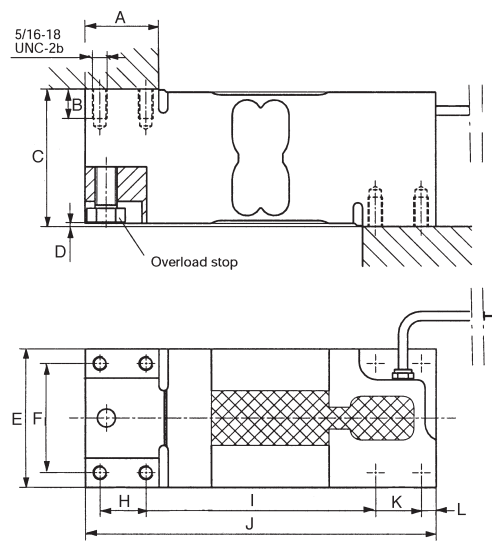


**Order Information**

Load Rating	Part #	Est. Weight	Price
500 kg	<b>91681</b>	6 lb	\$334.00
1,000 kg	<b>91683</b>	6 lb	\$334.00

**Dimensions**

Rated Capacity	A	B	C	D	E	F	H	I	J	K	L
kg/mm											
500 to 1,000	40.0	16.0	75.0	1.5	76.0	60.0	25.0	125.0	191.0	25.0	8.0



**Interchangeable Products**  
VPG® TEDEA-HUNTLEIGH  
**1250** ..... page 338

**Specifications**

- Full Scale Output:**  
2.0 mV/V
- Output Resistance:**  
330 to 450 ohm, nominal
- Input Resistance:**  
300 to 500 ohm
- Material/Finish:**  
Aluminum
- Temperature:**  
Compensated range  
14 °F to 104 °F (-10 °C to 40 °C)  
Operating range  
0 °F to 150 °F (-18 °C to 65 °C)
- Seal Type:**  
Environmentally sealed, IP67
- Safe Overload:**  
150% full scale
- Rated Excitation:**  
5 to 10 VDC (15 V maximum)
- Combined Error:**  
0.02% full scale
- Insulation Resistance:**  
1,000 megohm
- Cable Length:**  
10 ft
- Cable Diameter:**  
0.190 in PVC jacket
- Cable Color Code:**  
Green +Excitation  
Black -Excitation  
Red +Signal  
White -Signal  
Blue +Sense  
Brown -Sense
- Warranty:**  
Two-year limited
- Max Platform Size:**  
30 x 30 in
- Approvals:**  
FM  
NTEP 05-113

**RICE LAKE LOAD CELLS**

SINGLE POINT  
**RLPWM16**

Aluminum, Environmentally Sealed, NTEP Certified 1:5,000 Class III Single Cell, IP67

**Limited Stock Available**



Picture is a representation of actual product.

Approvals

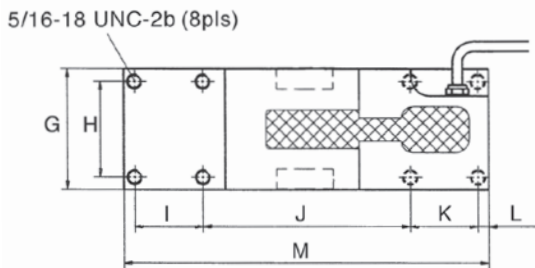
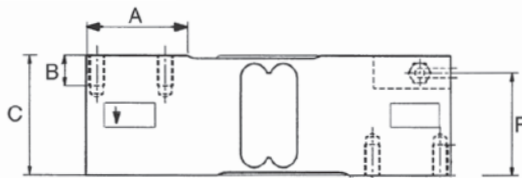


Order Information

Load Rating	Part #	Est. Weight	Price
75 kg	91686	5 lb	\$313.00

Dimensions

Rated Capacity	A	B	C	F	G	H	I	J	K	L	M
kg/mm											
75 to 150	52.0	16.0	62.3	52.3	63.0	50.0	35.0	107.0	35.0	5.5	188.0



Interchangeable Products

- RICE LAKE WEIGHING SYSTEMS
- RL1260** ..... page 178
- VPG® TEDEA-HUNTLEIGH
- 1260** ..... page 335

Specifications

- Full Scale Output:** 2.0 mV/V
- Output Resistance:** 300 to 500 ohm
- Input Resistance:** 300 to 500 ohm
- Material/Finish:** Aluminum
- Temperature:** Compensated range 14 °F to 104 °F (-10 °C to 40 °C) Operating range 0 °F to 150 °F (-18 °C to 65 °C)
- Seal Type:** Environmentally sealed, IP67
- Safe Overload:** 150% full scale
- Rated Excitation:** 5 to 10 VDC (15 V maximum)
- Combined Error:** 0.02% full scale
- Insulation Resistance:** 1,000 megohm
- Cable Length:** 10 ft
- Cable Diameter:** 0.190 in PVC jacket
- Max Platform Size:** 24 × 24 in
- Deflection at Capacity:** 50 to 635 kg < 0.6 mm
- Cable Color Code:** Green +Excitation, Black -Excitation, Red +Signal, White -Signal, Blue +Sense, Brown -Sense
- Warranty:** Two-year limited
- Approvals:** FM, NTEP 05-112

RICE LAKE  
LOAD CELLS

**Limited Stock Available**

SINGLE POINT  
**RL1042**

Aluminum, Environmentally Sealed, NTEP Certified 1:5,000 Class III Single Cell, IP66



Picture is a representation of actual product.

**Approvals**

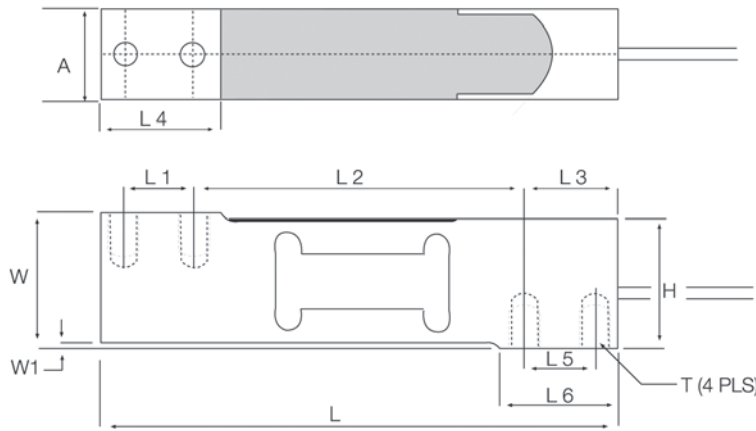


**Order Information**

Load Rating	Part #	Est. Weight	Price
1 kg	40955	1 lb	\$190.00
20 kg	40960	1 lb	\$190.00

**Dimensions**

Rated Capacity	A	H	L	L1	L2	L3	L4	L5	L6	W	W1	T
kg/mm												
1 to 20	20.0	39.0	150.0	19.0	100.0	25.0	34.0	19.0	34.0	40.0	1.0	1/4-20 UNC



**Interchangeable Products**

- RICE LAKE WEIGHING SYSTEMS
- RLSP4**..... page 170
- VPG® TEDEA-HUNTLEIGH
- 1042**..... page 329
- HBK®
- SP4M**..... page 242
- FLINTEC
- PC 42**

**Specifications**

- Full Scale Output:**  
2.0 mV/V
- Output Resistance:**  
350 (± 3) ohm
- Input Resistance:**  
415 (± 15) ohm
- Material/Finish:**  
Aluminum
- Temperature:**  
Compensated range  
14 °F to 104 °F (-10 °C to 40 °C)  
Operating range  
0 °F to 150 °F (-18 °C to 65 °C)
- Seal Type:**  
Environmentally sealed, IP66
- Safe Overload:**  
150% full scale  
Over-center loading point
- Rated Excitation:**  
5 to 10 VDC (15 V maximum)
- Combined Error:**  
0.02% full scale
- Deflection at Capacity:**  
0.015 in
- Insulation Resistance:**  
2,000 megohm
- Cable Length:**  
10 ft
- Cable Diameter:**  
0.200 in PVC jacket
- Cable Color Code:**  
Green +Excitation  
Black -Excitation  
Red +Signal  
White -Signal  
Blue +Sense  
Brown -Sense
- Platform Size:**  
16 × 16 in
- Warranty:**  
Two-year limited
- Approvals:**  
FM  
NTEP 97-138

**RICE LAKE  
LOAD CELLS**

SINGLE POINT  
**RL1040**

Aluminum, NTEP Certified 1:5,000 Class III Single Cell, Potted and Unpotted, IP65/IP67



Picture is a representation of actual product.

Approvals

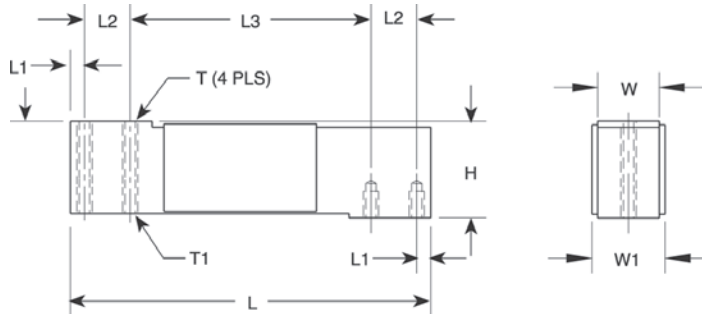


Order Information

Load Rating	Part #	Est. Weight	Price
<b>Potted IP67</b>			
7 kg	32860	2 lb	\$206.00
10 kg	32861	2 lb	\$206.00
15 kg	32862	2 lb	\$206.00
20 kg	32863	2 lb	\$206.00
30 kg	32864	2 lb	\$206.00
50 kg	32865	2 lb	\$206.00
100 kg	32866	2 lb	\$206.00
<b>Unpotted IP65</b>			
5 kg	32859	2 lb	\$206.00

Dimensions

Rated Capacity	H	L	L1	L2	L3	T	T1	W	W1
kg/mm									
5 to 100	40.0	150.0	5.95	19.1	100.0	1/4-20 UNC × 10 DP	1/4-28 UNF × 10 DP	25.4	29.4



Interchangeable Products

VPG® TEDEA-HUNTLEIGH  
**1040** ..... page 330  
CARDINAL  
**TSP**

Specifications

- Full Scale Output:**  
2.0 mV/V
- Output Resistance:**  
350 (± 3) ohm
- Input Resistance:**  
415 (± 5) ohm
- Material/Finish:**  
Anodized aluminum
- Temperature:**  
Compensated range  
14 °F to 104 °F (-10 °C to 40 °C)  
Operating range  
0 °F to 150 °F (-18 °C to 65 °C)
- Seal Type:**  
Potted, IP67  
Unpotted, IP65
- Safe Overload:**  
200% at center loading point, full scale
- Rated Excitation:**  
5 to 10 VDC (15 V maximum)
- Combined Error:**  
0.02% full scale
- Insulation Resistance:**  
2,000 megohm
- Deflection at Capacity:**  
0.4 mm
- Cable Length:**  
10 ft
- Cable Diameter:**  
0.200 in PVC jacket
- Cable Color Code:**  
Green +Excitation  
Black -Excitation  
Red +Signal  
White -Signal  
Blue +Sense  
Brown -Sense
- Max Platform Size:**  
15.75 × 15.75 in
- Warranty:**  
Two-year limited
- Approvals:**  
cFMus  
NTEP 95-074

RICE LAKE  
LOAD CELLS





Picture is a representation of actual product.

**Approvals**

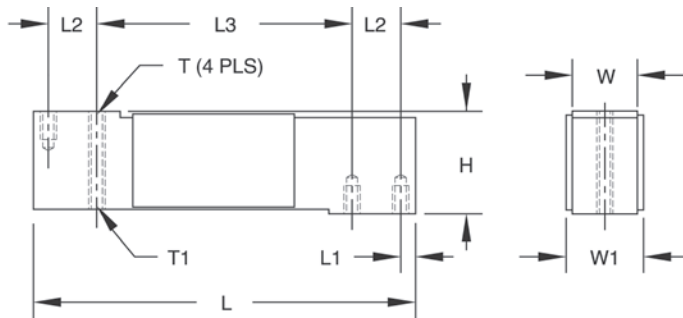


**Order Information**

Load Rating	Part #	Est. Weight	Price
15 kg	17544	3 lb	\$339.00
30 kg	17545	3 lb	\$339.00
50 kg	17546	3 lb	\$339.00
75 kg	17547	3 lb	\$339.00
100 kg	17548	3 lb	\$339.00
150 kg	36467	3 lb	\$339.00

**Dimensions**

Rated Capacity	H	L	L1	L2	L3	T	T1	W	W1
kg/mm									
15 to 150	40.0	150.0	6.0	19.1	100.0	1/4-20 UNC x 10 DP	1/4-28 UNF x 10 DP	25.4	29.4



**Interchangeable Products**

VPG® TEDEA-HUNTLEIGH  
**1140**..... page 332

**Specifications**

- Full Scale Output:**  
2.0 mV/V
- Output Resistance:**  
350 (± 3) ohm, nominal
- Input Resistance:**  
415 (± 15) ohm
- Material/Finish:**  
Stainless steel
- Temperature:**  
Operating range  
0 ° F to 150 ° F (-18 °C to 65 °C)
- Seal Type:**  
Environmentally sealed, IP67
- Safe Overload:**  
200% at center loading point, full scale
- Rated Excitation:**  
5 to 10 VDC (15 V maximum)
- Combined Error:**  
0.02% full scale
- Insulation Resistance:**  
2,000 megohm
- Deflection at Capacity:**  
0.4 mm
- Cable Length:**  
10 ft
- Cable Diameter:**  
0.200 in PVC jacket
- Cable Color Code:**  
Green +Excitation  
Black –Excitation  
Red +Signal  
White –Signal  
Blue +Sense  
Brown –Sense
- Max Platform Size:**  
15.75 x 15.75 in
- Warranty:**  
Two-year limited
- Approvals:**  
cFMus

**RICE LAKE  
LOAD CELLS**

SINGLE POINT  
**RL1380**

Stainless Steel, Environmentally Sealed, NTEP Certified 1:3,000 Class III Single Cell, IP67



Picture is a representation of actual product.

Approvals

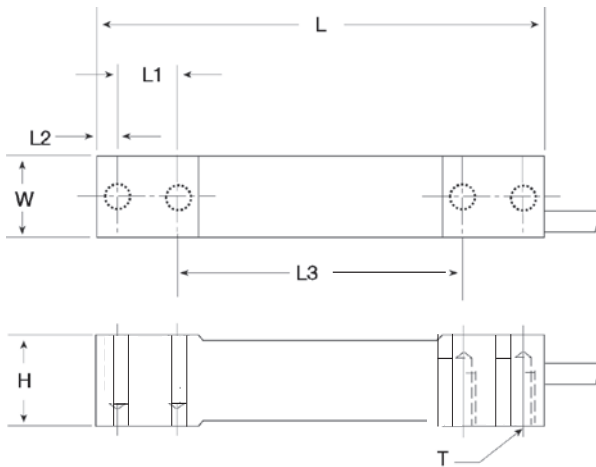


Order Information

Load Rating	Part #	Est. Weight	Price
7 kg	30783	2 lb	\$344.50
10 kg	30782	2 lb	\$344.50
15 kg	30781	2 lb	\$344.50
30 kg	30780	2 lb	\$344.50
60 kg	30779	2 lb	\$344.50

Dimensions

Rated Capacity	W	L	L1	L2	L3	T	H
kg/mm							
7 to 15	19.1	139.7	19.1	6.4	88.9	1/4-20 UNC	30.2
30 to 60	23.9	139.7	19.1	6.4	88.9	1/4-20 UNC	30.2



Interchangeable Products

HBK®  
PWS..... page 245

Specifications

- Full Scale Output:**  
2.0 mV/V
- Output Resistance:**  
359 (± 10) ohm
- Input Resistance:**  
390 (± 15) ohm
- Material/Finish:**  
Stainless steel
- Temperature:**  
Compensated range  
14 °F to 104 °F (-10 °C to 40 °C)  
Operating range  
0 °F to 150 °F (-18 °C to 65 °C)
- Seal Type:**  
Environmentally sealed, IP67
- Safe Overload:**  
150% full scale
- Rated Excitation:**  
5 to 10 VDC (15 V maximum)
- Combined Error:**  
0.03% full scale
- Insulation Resistance:**  
5,000 megohm
- Cable Length:**  
10 ft
- Cable Diameter:**  
0.190 in polyurethane jacket
- Deflection:**  
< 0.4 mm full scale
- Max Platform Size:**  
15.75 × 15.75 in
- Cable Color Code:**  
Green +Excitation  
Black -Excitation  
White +Signal  
Red -Signal  
Yellow Shield
- Warranty:**  
Two-year limited
- Approvals:**  
FM  
NTEP 94-128

RICE LAKE  
LOAD CELLS



Picture is a representation of actual product.

**Approvals**

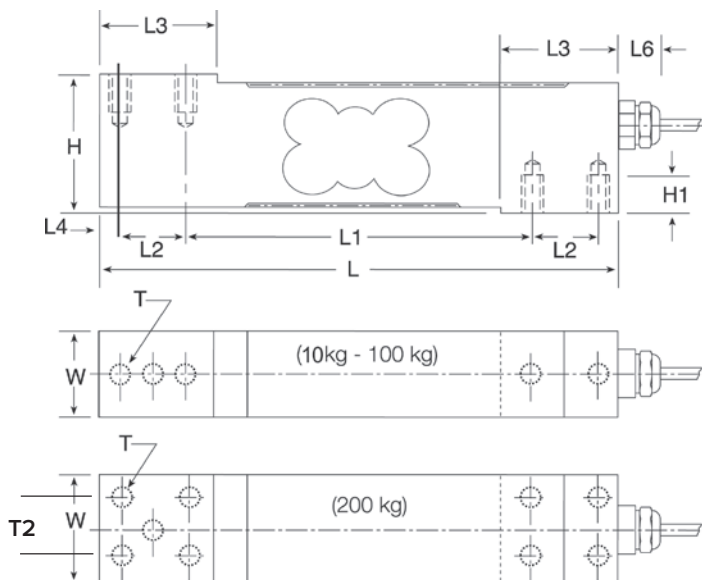


**Order Information**

Load Rating	Part #	Est. Weight	Price
<b>NTEP Certified</b>			
10 kg	41405	3 lb	\$328.00
15 kg	41233	3 lb	\$328.00
30 kg	41234	3 lb	\$328.00
50 kg	41235	3 lb	\$328.00
75 kg	41236	3 lb	\$328.00
<b>Non-NTEP Certified</b>			
100 kg	41237	3 lb	\$310.00
200 kg	41406	4 lb	\$477.00

**Dimensions**

Rated Capacity	H	H1	L	L1	L2	L3	L4	L6	W	T	T2
kg/mm											
10 to 100	40.0	10.0	150.0	100.0	19.0	32.0	6.0	20.0	25.4	1/4-20 UNC x 19.1 DP	N/A
200	40.0	10.0	150.0	100.0	19.0	32.0	6.0	20.0	38.1	1/4-20 UNC x 19.1 DP	25.4



**Interchangeable Products**

FLINTEC

PC1..... page 229

**Specifications**

**Full Scale Output:**

2.0 mV/V

**Output Resistance:**

330 (± 25) ohm

**Input Resistance:**

390 (± 20) ohm

**Material/Finish:**

Stainless steel

**Temperature:**

Operating range

0 °F to 150 °F (-18 °C to 65 °C)

**Seal Type:**

Environmentally sealed, IP67

**Safe Overload:**

200% full scale

**Rated Excitation:**

5 VDC (15 V maximum)

**Combined Error:**

0.02% full scale

**Insulation Resistance:**

5,000 megohm

**Cable Length:**

10 ft

**Cable Diameter:**

0.196 in polyurethane jacket

**Max Platform Size:**

18 × 18 in

**Cable Color Code:**

Green +Excitation

Black -Excitation

White +Signal

Red -Signal

Yellow Shield

**Warranty:**

Two-year limited

**Approvals:**

FM

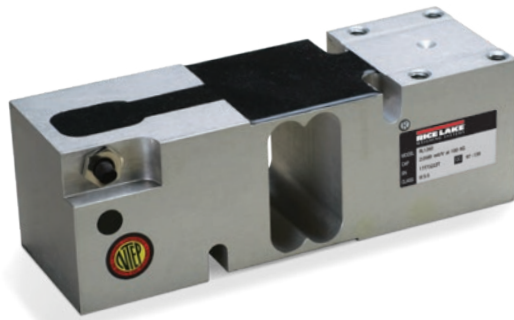
NTEP 00-125

RICE LAKE  
LOAD CELLS

SINGLE POINT  
**RL1260**

Aluminum, Environmentally Sealed, NTEP Certified 1:5,000 Class III Single Cell, IP67

**Limited Stock Available**



Picture is a representation of actual product.

**Approvals**

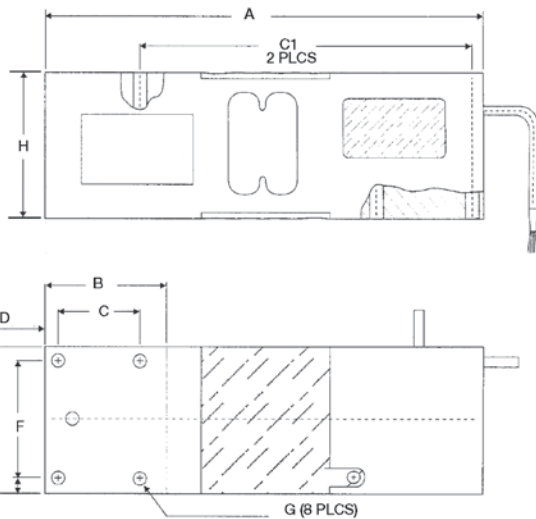


**Order Information**

Load Rating	Part #	Est. Weight	Price
75 kg	41021	5 lb	\$328.00
300 kg	41025	5 lb	\$328.00

**Dimensions**

Rated Capacity	A	B	C	C1	D	E	F	G	H
kg/mm									
75 and 300	188.0	52.0	35.0	142.0	5.5	63.5	50.0	5/16-18UNC	62.3



**Interchangeable Products**

- RICE LAKE WEIGHING SYSTEMS  
**RLPWM16**..... page 172
- RICE LAKE WEIGHING SYSTEMS  
**RL26018A**..... page 180
- VPG® TEDEA-HUNTLEIGH  
**1260** ..... page 335

**Specifications**

- Full Scale Output:**  
2.0 mV/V
- Output Resistance:**  
350 (± 3) ohm
- Input Resistance:**  
415 (± 15) ohm
- Material/Finish:**  
Anodized aluminum
- Temperature:**  
Compensated range  
14 °F to 104 °F (-10 °C to 40 °C)  
Operating range  
0 °F to 150 °F (-18 °C to 65 °C)
- Seal Type:**  
Environmentally sealed, IP67
- Safe Overload:**  
150% of full scale at center loading point
- Rated Excitation:**  
5 to 10 VDC (15 V maximum)
- Combined Error:**  
0.02% full scale
- Insulation Resistance:**  
5,000 megohm
- Cable Length:**  
10 ft
- Cable Diameter:**  
0.220 in polyurethane jacket
- Max Platform Size:**  
24 × 24 in
- Cable Color Code:**  
Green +Excitation  
Black –Excitation  
Red +Signal  
White –Signal  
Blue +Sense  
Brown –Sense
- Warranty:**  
Two-year limited
- Approvals:**  
cFMus  
NTEP 97-139

**RICE LAKE  
LOAD CELLS**



Breathing Tube

Picture is a representation of actual product.

**Approvals**

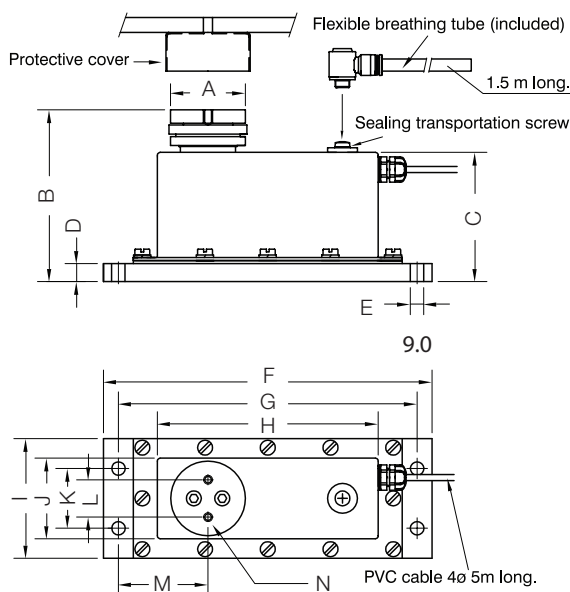


**Order Information**

Load Rating	Part #	Est. Weight	Price
2 kg	194928	8 lb	\$710.00
3 kg	199001	8 lb	\$710.00
5 kg	194929	8 lb	\$710.00
7 kg	194930	8 lb	\$710.00
10 kg	194932	8 lb	\$710.00
15 kg	194933	8 lb	\$710.00
20 kg	194934	8 lb	\$710.00
30 kg	194935	8 lb	\$710.00
50 kg	194936	16 lb	\$710.00

**Dimensions**

Rated Capacity	A	B	C	D	E	F	G	H	I	J	K	L	M	N
kg/mm														
2 to 50	50 dia	115.0	86.5	12.0	9.0	220.0	200.0	148.0	80.0	54.0	40.0	25.0	60.0	1/4-20 UNC



**Interchangeable Products**

VPG® TEDEA-HUNTLEIGH

**240\*** ..... page 341

\*5000d NTEP, 10ft cable

**Specifications**

**Full Scale Output:**  
2.0 mV/V

**Output Resistance:**  
350 (± 3) ohm

**Input Resistance:**  
400 (± 20) ohm

**Material/Finish:**  
Stainless steel

**Temperature:**  
Compensated range  
14 °F to 104 °F (-10 °C to 40 °C)  
Operating range  
0 °F to 150 °F (-18 °C to 65 °C)

**Seal Type:**  
Environmentally sealed, IP68

**Safe Overload:**  
200% of full scale

**Rated Excitation:**  
5 to 10 VDC

**Combined Error:**  
0.017% full scale

**Insulation Resistance:**  
> 5,000 megohm

**Cable Length:**  
5 m

**Cable Color Code:**  
Green +Excitation  
Black -Excitation  
Red +Signal  
White -Signal  
Blue +Sense  
Yellow -Sense

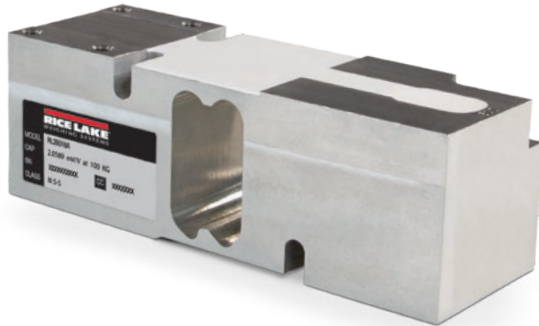
**Warranty:**  
Two-year limited

**Approvals:**  
NTEP 20-045  
cFMus

RICE LAKE  
LOAD CELLS

SINGLE POINT  
**RL26018A**

Aluminum, Environmentally Sealed, NTEP Certified 1:5,000 Class III Single Cell, IP67



Picture is a representation of actual product.

Approvals

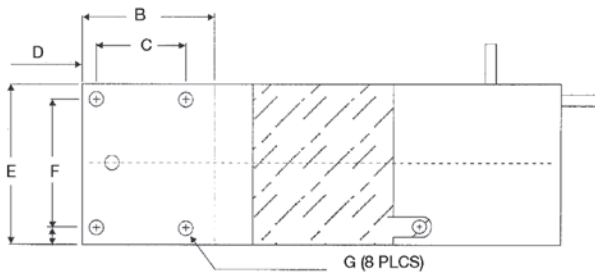
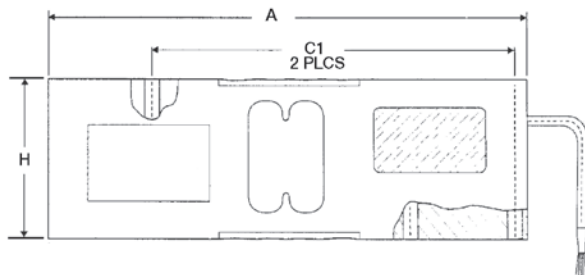


Order Information

Load Rating	Part #	Est. Weight	Price
50 kg	188682	5 lb	\$290.00
75 kg	188683	5 lb	\$290.00
100 kg	188684	5 lb	\$290.00
150 kg	188685	5 lb	\$290.00
200 kg	188686	5 lb	\$290.00
250 kg	188687	5 lb	\$290.00
300 kg	188688	5 lb	\$290.00
500 kg	188689	5 lb	\$290.00
635 kg	188690	5 lb	\$290.00

Dimensions

Rated Capacity	A	B	C	C1	D	E	F	G	H
kg/mm									
50 to 635	188.0	52.0	35.0	142.0	5.5	63.5	50.0	5/16-18 UNC	62.3



Interchangeable Products

- RICE LAKE WEIGHING SYSTEMS  
**RL1260** ..... page 178
- RICE LAKE WEIGHING SYSTEMS  
**RLPWM16**..... page 172
- VPG® TEDEA-HUNTLEIGH®  
**1260** ..... page 335

Specifications

- Full Scale Output:**  
2.0 mV/V nominal
- Output Resistance:**  
350 (± 3) ohm
- Input Resistance:**  
415 (± 15) ohm
- Material/Finish:**  
Anodized aluminum
- Temperature:**  
Compensated range  
14 °F to 104 °F (-10 °C to 40 °C)  
Operating range  
0 °F to 150 °F (-18 °C to 65 °C)
- Seal Type:**  
Environmentally sealed, IP67
- Safe Overload:**  
150% of full scale
- Rated Excitation:**  
5 to 10 VDC (15 V maximum)
- Insulation Resistance:**  
> 5,000 megohm
- Combined Error:**  
0.02% full scale
- Deflection:**  
0.3 to 0.5 mm
- Cable Length:**  
10 ft
- Cable Color Code:**  
Green +Excitation  
Black -Excitation  
Red +Signal  
White -Signal  
Blue +Sense  
Yellow -Sense
- Warranty:**  
Two-year limited
- Approvals:**  
cFMus  
NTEP 18-108

RICE LAKE  
LOAD CELLS



Picture is a representation of actual product.

**Approvals**

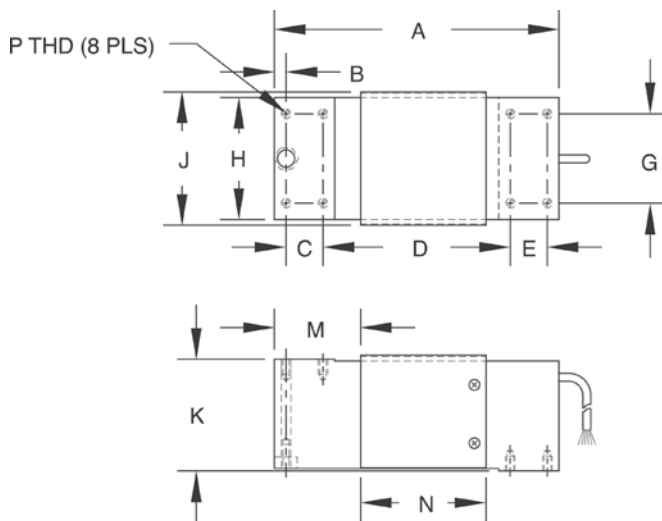


**Order Information**

Load Rating	Part #	Est. Weight	Price
50 kg	191096	5 lb	\$328.00
75 kg	191097	5 lb	\$328.00
100 kg	191098	5 lb	\$328.00
150 kg	191099	5 lb	\$328.00
200 kg	191100	5 lb	\$328.00
250 kg	191101	5 lb	\$328.00
300 kg	191102	5 lb	\$328.00
500 kg	191103	5 lb	\$328.00
635 kg	191104	5 lb	\$328.00
1,000 kg	191105	5 lb	\$328.00

**Dimensions**

Rated Capacity	A	B	C	D	E	G	H	J	K	M	N	P
kg/mm												
50 to 1,000	191.0	8.0	25.0	125.0	25.0	60.0	75.0	82.0	75.0	57.5	85.0	5/16-18 UNC × 15 DP



**Interchangeable Products**

- RICE LAKE WEIGHING SYSTEMS  
**RLPWM12**..... page 171
- VPG® TEDEA-HUNTLEIGH®  
**1250** ..... page 338

**Specifications**

- Full Scale Output:**  
2.0 mV/V nominal
- Output Resistance:**  
350 (± 3) ohm
- Input Resistance:**  
415 (± 15) ohm
- Material/Finish:**  
Anodized aluminum
- Temperature:**  
Compensated range  
14 °F to 104 °F (-10 °C to 40 °C)  
Operating range  
0 °F to 150 °F (-18 °C to 65 °C)
- Seal Type:**  
Environmentally sealed, IP67
- Safe Overload:**  
150% full scale
- Rated Excitation:**  
5-10 VDC (15 V maximum)
- Insulation Resistance:**  
> 5,000 megohm
- Combined Error:**  
0.02% full scale
- Deflection:**  
0.4 mm

- Max Platform Size:**  
50 to 500 kg: 800 × 800 mm  
635 to 1,000 kg: 600 × 600 mm

- Cable Length:**  
10 ft

- Cable Color Code:**  
Green +Excitation  
Black -Excitation  
Red +Signal  
White -Signal  
Blue +Sense  
Yellow -Sense

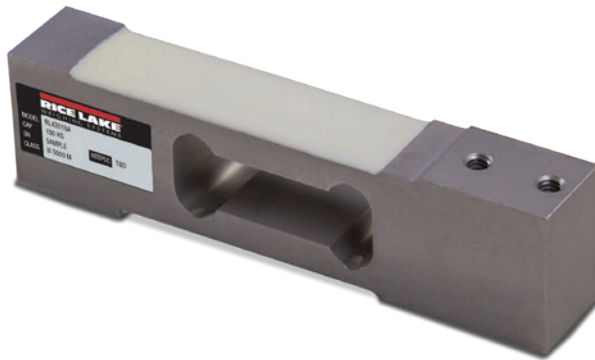
- Warranty:**  
Two-year limited

- Approvals:**  
cFMus  
NTEP 18-133

RICE LAKE  
LOAD CELLS

SINGLE POINT  
**RL42018A**

Aluminum, Environmentally Sealed, NTEP Certified 1:5,000 Class III Single Cell, IP66



Picture is a representation of actual product.

Approvals

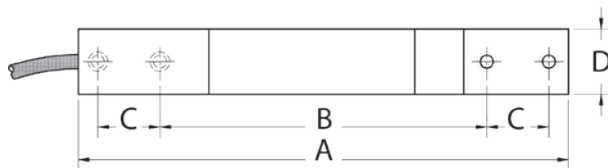
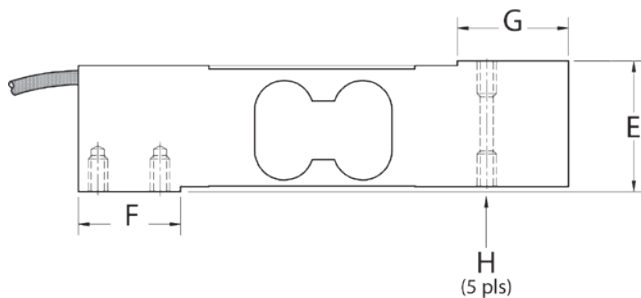


Order Information

Load Rating	Part #	Est. Weight	Price
3 kg	<b>188672</b>	2 lb	\$190.00
5 kg	<b>188673</b>	2 lb	\$190.00
7 kg	<b>188674</b>	2 lb	\$190.00
10 kg	<b>188675</b>	2 lb	\$190.00
15 kg	<b>188676</b>	2 lb	\$190.00
20 kg	<b>188677</b>	2 lb	\$190.00
30 kg	<b>188678</b>	2 lb	\$190.00
50 kg	<b>188679</b>	2 lb	\$190.00
75 kg	<b>188680</b>	2 lb	\$190.00
100 kg	<b>188681</b>	2 lb	\$190.00

Dimensions

Rated Capacity	A	B	C	D	E	F	G	H
kg/mm								
3 to 30	150.0	100.0	19.0	20.0	40.0	31.2	34.0	1/4-20 UNC
50 to 100	150.0	100.0	19.0	25.4	40.0	31.2	34.0	1/4-20 UNC



Interchangeable Products

- RICE LAKE WEIGHING SYSTEMS  
**RL1042**..... page 173
- RICE LAKE WEIGHING SYSTEMS  
**RLSP4**..... page 170
- VPG® TEDEA-HUNTLEIGH®  
**1042**..... page 329
- HBK®  
**SP4M\***..... page 242

\*Color code is different

Specifications

- Full Scale Output:**  
2.0 mV/V ± 10%
- Output Resistance:**  
350 (± 3) ohm
- Input Resistance:**  
400 (± 20) ohm
- Material/Finish:**  
Aluminum
- Temperature:**  
Compensated range  
14 °F to 104 °F/-10 °C to 40 °C  
Operating range  
0 °F to 150 °F/-18 °C to 65 °C
- Seal Type:**  
Environmentally sealed, IP66
- Safe Overload:**  
150% of full scale at center loading point
- Rated Excitation:**  
10 VDC
- Combined Error:**  
0.02% full scale
- Insulation Resistance:**  
> 5,000 megohm
- Deflection:**  
0.3 to 0.5 mm
- Cable Length:**  
10 ft
- Cable Color Code:**  
Green +Excitation  
Black -Excitation  
Red +Signal  
White -Signal  
Blue +Sense  
Yellow -Sense
- Platform Size:**  
15.75 × 15.75 in max
- Warranty:**  
Two-year limited
- Approvals:**  
cFMus  
NTEP 18-105

RICE LAKE  
LOAD CELLS





Picture is a representation of actual product.

**Interchangeable Products**

AVERY WEIGH-TRONIX®  
FLS

**Specifications**

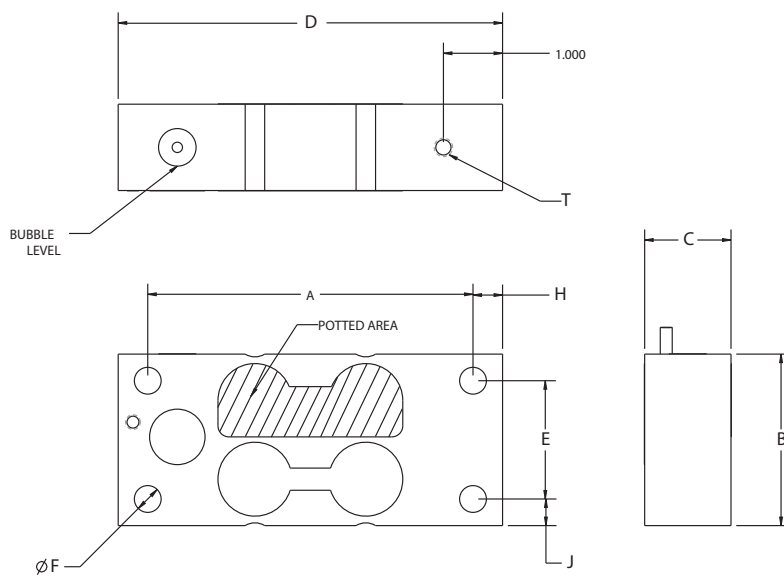
- Full Scale Output:**  
1.0 (± 10%) mV/V
- Output Resistance:**  
350 (± 3) ohm
- Input Resistance:**  
385 (± 10) ohm
- Material/Finish:**  
Stainless steel
- Temperature:**  
Operating range  
0 °F to 150 °F (-18 °C to 65 °C)
- Seal Type:**  
Environmentally sealed, IP67
- Safe Overload:**  
150% full scale
- Rated Excitation:**  
5 to 15 VDC
- Hysteresis:**  
0.02% full scale
- Non-Linearity:**  
0.02% full scale
- Insulation Resistance:**  
5,000 megohm
- Cable Length:**  
10 ft
- Cable Color Code:**  
Green +Excitation  
Black -Excitation  
Red +Signal  
White -Signal
- Warranty:**  
Two-year limited

**Order Information**

Load Rating	Part #	Est. Weight	Price
50 lb	<b>125612</b>	3 lb	\$650.00

**Dimensions**

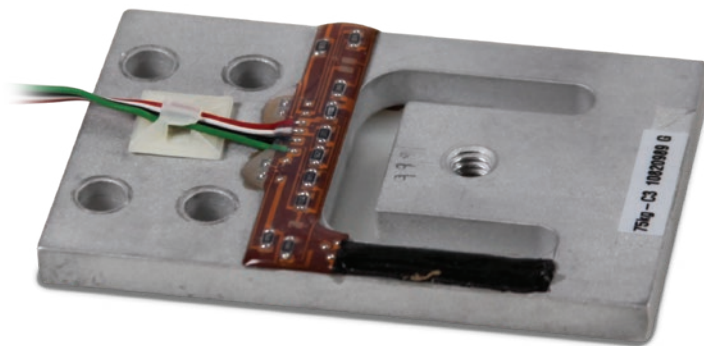
Rated Capacity	A	B	C	D	E	F	H	J	T
50 lb/in									
50	5.50	2.90	0.74	6.50	2.00	0.50	0.50	0.45	5/16-18 UNC x 0.50



**RICE LAKE  
LOAD CELLS**

# RLBLP

Aluminum, Environmentally Sealed, IP65



Picture is a representation of actual product.

## Interchangeable Products

FLINTEC™

PB..... page 235

## Specifications

**Full Scale Output:**

1.0 mV/V

**Output Resistance:**

1,000 (± 10) ohm

**Input Resistance:**

1,180 (± 50) ohm

**Material/Finish:**

Aluminum

**Temperature:**

Operating range  
0 °F to 150 °F (-18 °C to 65 °C)

**Seal Type:**

Environmentally sealed, IP65

**Safe Overload:**

150% full scale

**Rated Excitation:**

5 to 15 VDC

**Combined Error:**

0.05% full scale

**Insulation Resistance:**

5,000 megohm

**Cable Length:**

15 kg: 1.0 m  
37.5 kg, 75 kg, 150 kg: 1.5 m

**Cable Color Code:**

Green +Excitation  
Black -Excitation  
White +Signal  
Red -Signal

**Warranty:**

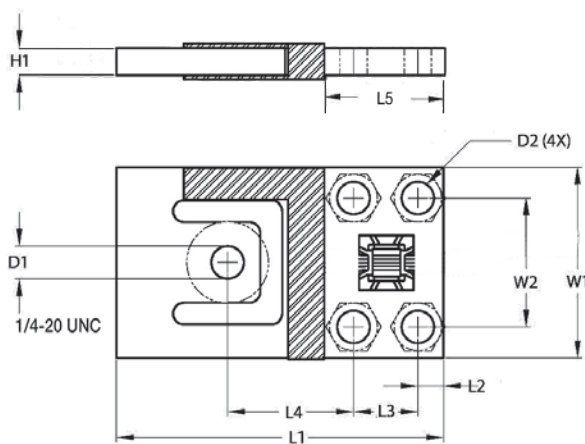
Two-year limited

## Order Information

Load Rating	Part #	Est. Weight	Price
15 kg	100272	1 lb	\$87.00
37.5 kg	104645	1 lb	\$92.00
75 kg	100273	1 lb	\$97.00
150 kg	100274	1 lb	\$102.00

## Dimensions

Rated Capacity	L1	L2	L3	L4	L5	W1	W2	H1	D1	D2
kg/mm										
15.0	70.0	4.9	14.0	28.0	23.7	39.0	27.8	4.1	7.6	5.1
37.5	76.2	6.0	15.0	29.3	27.0	44.5	30.0	4.8	7.6	6.6
75.0	84.4	6.4	15.0	34.0	27.7	54.8	30.0	6.4	7.6	6.6
150.0	107.3	7.8	22.9	45.9	38.4	69.9	44.5	7.9	9.1	8.1



RICE LAKE  
LOAD CELLS