

# Remote Displays

## TABLE OF CONTENTS

<b>LASERLIGHT® 2</b> .....	<b>266</b>
<i>4 Inch, 6 Inch, 4 Inch Stop/Go</i>	
<b>LASERLIGHT®</b> .....	<b>272</b>
<i>4 Inch, 6 Inch &amp; 4 Inch Stop &amp; Go</i>	
<b>LASERLT-60 AND LASERLT-100</b> .....	<b>275</b>
<b>LASERLIGHT® 3M8 &amp; 3M12</b> .....	<b>276</b>
<b>LASERLT RD-1550</b> .....	<b>278</b>
<b>RD-232 AND RD-300</b> .....	<b>280</b>
<b>DISPLAY, EXTERNAL MOUNT</b> .....	<b>281</b>
<i>Tracer Airline Baggage Scale Display</i>	
<b>DISPLAY, PANEL MOUNT RD-1 AND RD-2</b> .....	<b>282</b>
<i>Tracer Airline Baggage Scale Display</i>	

REMOTE DISPLAYS

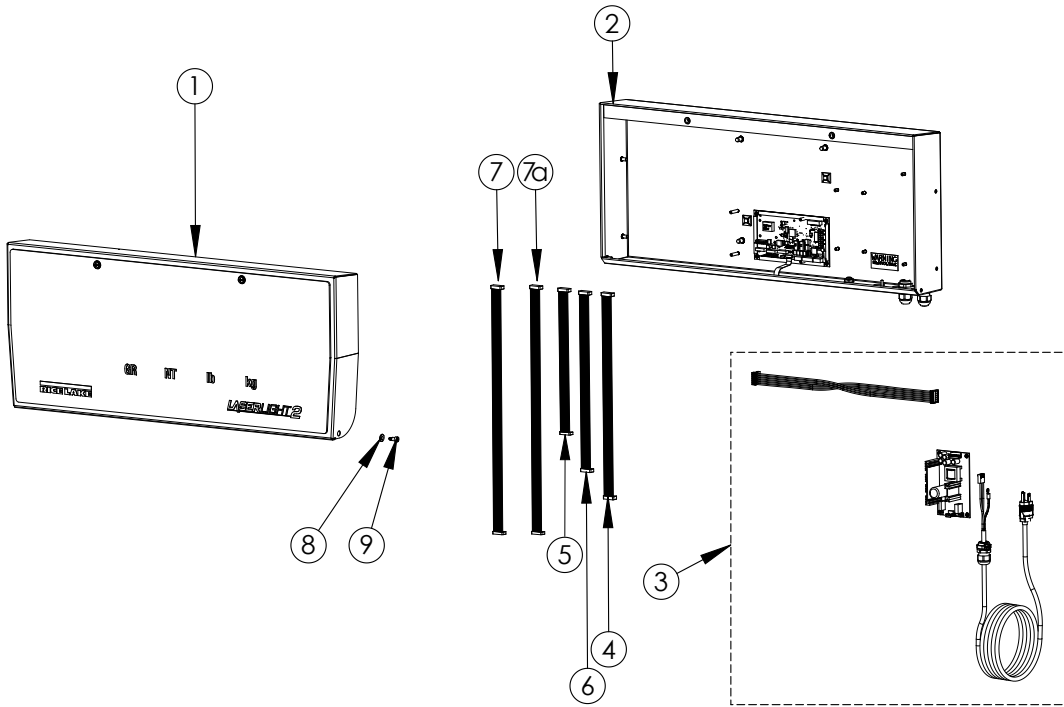
# LaserLight® 2

4 Inch, 6 Inch, 4 Inch Stop/Go

## Part Number/Price

Ref#	Part#	Description	4"	6"	4" Stop/Go	Price
1	173599	Front panel assembly see page 270				Consult
2	173146	Cabinet assembly see page 267				Consult
3	174488	Power kit assembly see page 268				Consult
4	169391	Cable, ribbon 16 in			1X	Consult
5	76224	Cable, ribbon 8 in		2X		Consult
6	76225	Cable, ribbon 14 in	3X	1X	1X	Consult
7	104284	Cable, ribbon 23 in			1X	Consult
7a	104283	Cable, CPU to traffic light 23 in			1X	Consult
8	173144	Washer, black nylon	•	•	•	Consult
9	178043	U-Nut, 1/4-20 tapped barrel free spin	•	•	•	Consult
<b>Components of Parts Kit #92056 (used in all 3 models)</b>						
	15631	Cable tie, 3 in nylon				Consult
	66730	Filter, cylindrical EMI				Consult
	76513	CONN, 4 Pos screw terminal				Consult
	76514	CONN, 6 Pos screw terminal				Consult

Remote Displays



LaserLight2  
Parts Illustration

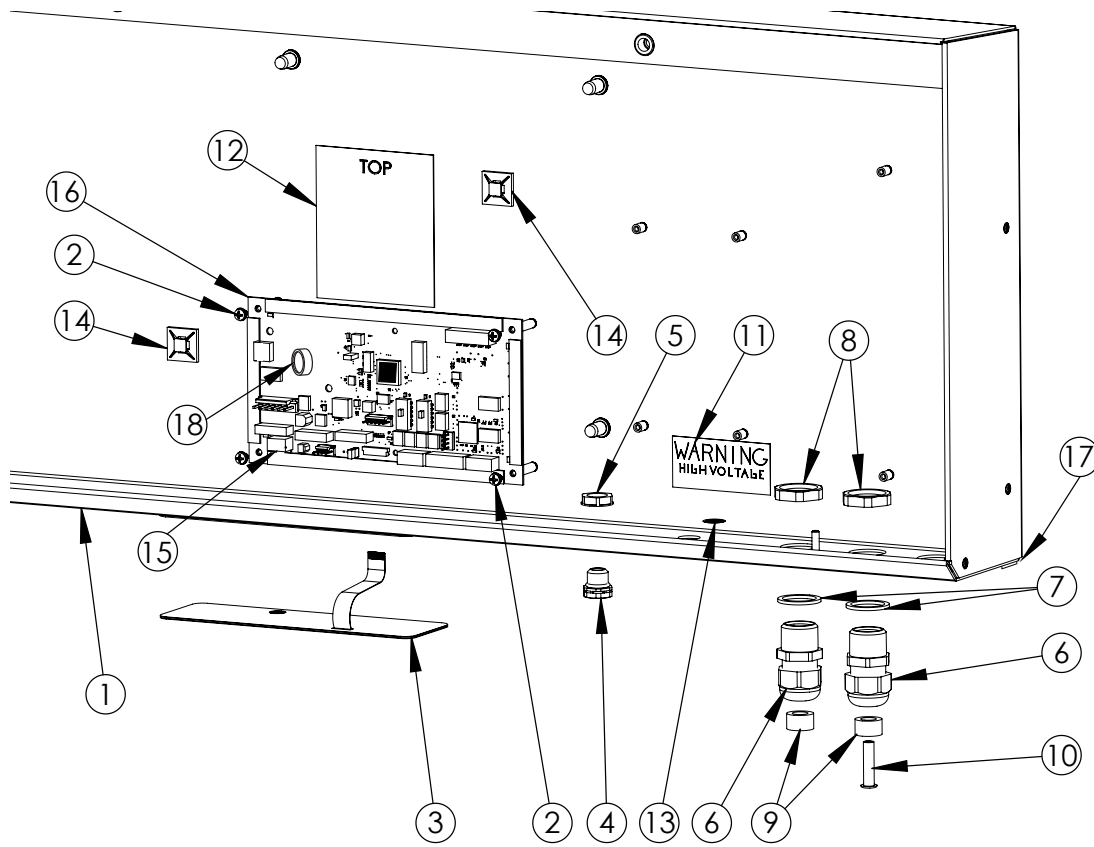
# LaserLight® 2

4 Inch, 6 Inch, 4 Inch Stop/Go

Remote Displays

## Part Number/Price

Ref#	Part#	Description	4"	6"	4" Stop/Go	Price
—	181411	Cabinet		•	•	Consult
	173597	Cabinet	•			Consult
1	181411	Rear panel assembly		•	•	Consult
	181408	Rear panel assembly	•			Consult
2	14839	Screw, Mach 6-32NC x 1/4	•	•	•	Consult
3	166345	Overlay	•	•	•	Consult
4	88733	Vent, breather sealed	•	•	•	Consult
5	88734	Nut, breather vent	•	•	•	Consult
6	15628	Cord Grip, 1/2 NPT black	•	•	•	Consult
7	30376	Seal Ring, nylon 1/2 NPT	•	•	•	Consult
8	15630	Locknut, 1/2 NPT black	•	•	•	Consult
9	15665	Gland, Reducing 1/2 NPT	•	•	•	Consult
10	19538	Post Plug, slotted black	•	•	•	Consult
11	16861	Label, warning high	•	•	•	Consult
12	177093	Label, serial comm pin out	•	•	•	Consult
13	16892	Label, ground protective	•	•	•	Consult
14	15650	Mount, cable tie 3/4 in	•	•	•	Consult
15	177369	Ambient Light Sensor	•	•	•	Consult
16	178869	Board, CPU LaserLight 2 - blue board	•	•	•	Consult
17	26408	Bumper, self adhesive 3/4 rubber	•	•	•	Consult
18	69291	Battery, 3V coin lithium	•	•	•	Consult



LaserLight2  
Cabinet Assembly

REMOTE DISPLAYS

# LaserLight® 2

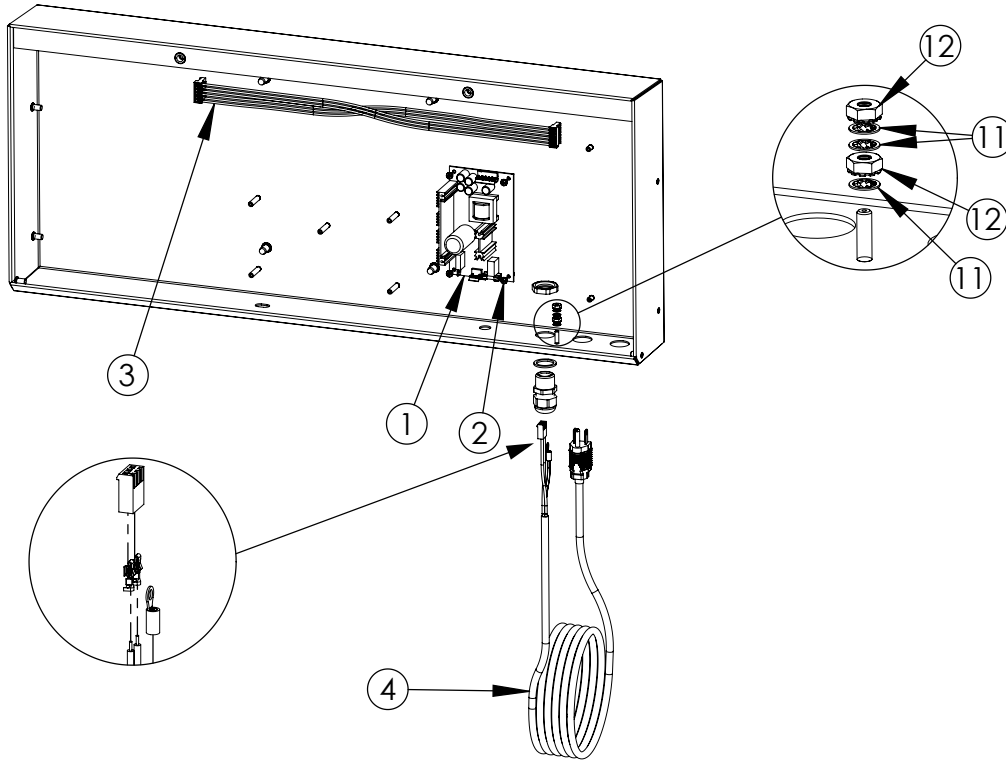
4 Inch, 6 Inch, 4 Inch Stop/Go

Remote Displays



## Part Number/Price

Ref#	Part#	Description	Price
1	175551	Power supply, 12V board	Consult
	174488	Power supply, UL	Consult
2	14839	Screw, Mach 6-32NC x 1/4	Consult
3	169272	Cable assembly, power supply	Consult
4	169520	Power cord assembly remote	Consult
	175475	Power cord assembly, GFCI	Consult
11	15134	Washer, Lock No. 8 Type A	Consult
12	14626	Nut, Kep 8-32NC HEX	Consult



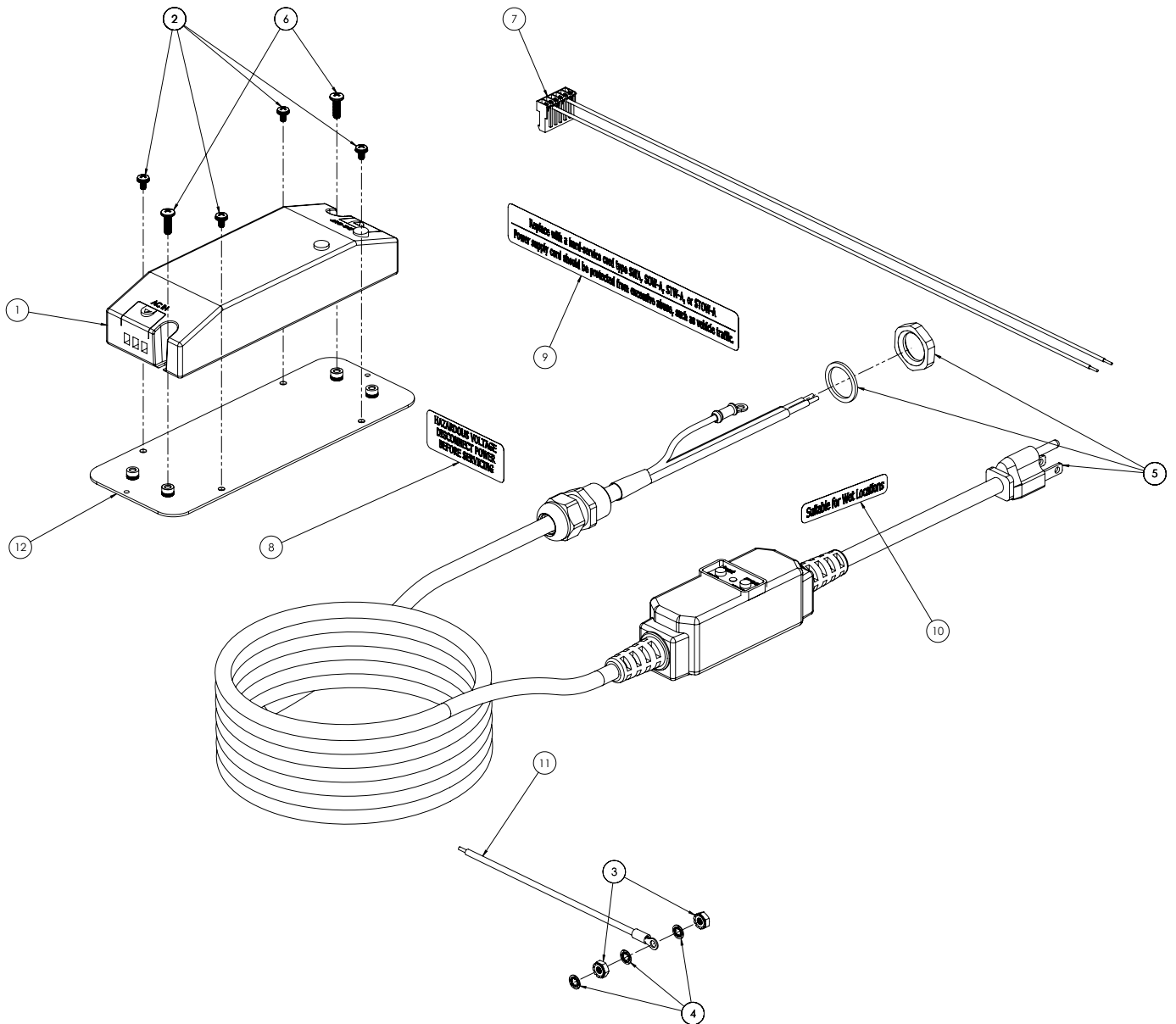
Power Kit Assembly

REMOTE DISPLAYS  
**LaserLight® 2**  
 4 Inch, 6 Inch, 4 Inch Stop/Go

Remote Displays

Part Number/Price

Ref#	Part#	Description	Price
1	175563	Power Supply, 12V 60W board	Consult
2	14839	Screw, Mach 6-32NC x 1/4	Consult
3	14626	Nut, Kep #8-32NC Hex	Consult
4	15132	Washer, lock NO 8 Type A	Consult
5	175475	Power Cord Assembly, GFCI	Consult
6	49953	Screw, Mach 8-32NC x 1/2 PPH SST	Consult
7	175476	Cable assembly, Power supply to CPU	Consult
8	176246	Label, Hazardous voltage	Consult
9	167323	Label, Replace cord type	Consult
10	176248	Label, Suitable for wet locations	Consult
11	36719	Wire assembly, Ground 6 in with #8 eye	Consult
12	174486	Bracket, power supply adapter	Consult



Power Kit Assembly UL

REMOTE DISPLAYS

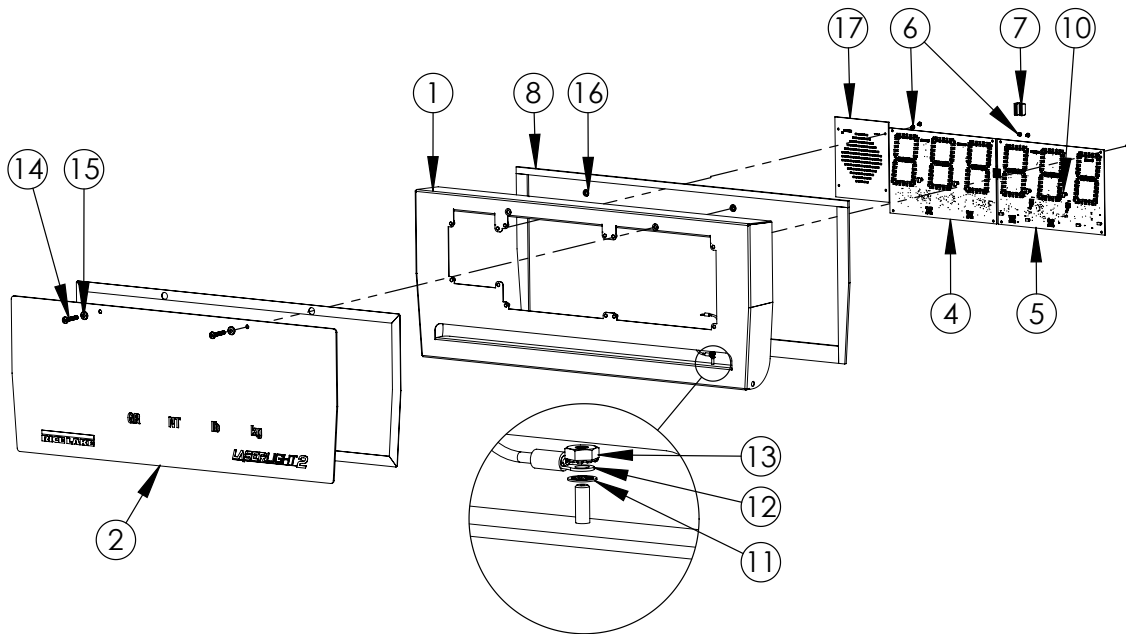
# LaserLight® 2

4 Inch, 6 Inch, 4 Inch Stop/Go

Remote Displays



Ref#	Part#	Description	4"	6"	4" Stop/Go	Price
1	181412	Front Cabinet, 31 in			•	Consult
	181410	Front Cabinet, 31 in		•		Consult
	181409	Front Cabinet, 22 in	•			Consult
2	173824	Lens, display			•	Consult
	169715	Lens, display		•		Consult
	167134	Lens, display	•			Consult
4	167401	Board, Display primary	•		•	Consult
	168033	Board, Display primary		•		Consult
5	167402	Board, Display secondary	•		•	Consult
	168034	Board, Display secondary		•		Consult
6	14839	Screw, Mach 6-32NC x 1/4	•	•	•	Consult
7	76226	Cable, Ribbon 5 in long	•	•		Consult
8	170174	Gasket		•	•	Consult
	167238	Gasket	•			Consult
10	175212	Standoff, Plastic press-in	•	•	•	Consult
11	15134	Washer, Lock NO 8 Type A	•	•	•	Consult
12	15601	Ground Wire, 6 in/w No. 8	•	•	•	Consult
13	14626	Nut, Kep 8-32NC HEX	•	•	•	Consult
14	175781	Machine Screw, 1/4-20 x 1-1/2	•	•	•	Consult
15	166634	Washer, 1/4 in high pressure sealing	•	•	•	Consult
16	166653	Retainer, Pushnut bolt 1/4	•	•	•	Consult
17	103651	Board Assy, LED traffic			•	Consult



Front Panel Assembly



REMOTE DISPLAYS

**LaserLight®**

4 Inch, 6 Inch & 4 Inch Stop & Go



**Part Number/Price**

Ref#	Part#	Description	Price
1	16861	Warning high label	Consult
2	76254	10 in ground wire assembly	Consult
3	75857	AC power cord assembly	Consult
4	40672	Ground wire, 9 in	Consult
4	15602	Ground wire, 12 in	Consult
5	Consult	Steel enclosure	Consult
6	76408	AC cable assembly	Consult
7	16892	Ground/earth label	Consult
8	15628	1/2 NPT black cord grip	Consult
9	15630	1/2 NPT black locknut	Consult
11	15650	Cable tie 3/4 in mount	Consult
12	75569	Inside terminal bracket	Consult
13	45302	FEM-FEM 8-32 NC standoff	Consult
14	44744	3 position terminal block	Consult
15	14833	4-40 NC x 1/2 MACH screw	Consult
16	14626	8-32 NC kep nut	Consult
17	15134	Lock no. 8 type A washer	Consult
18	72998	Time-set covering label	Consult
19	58983	SL-7 with nut cord grip	Consult
20	41255	1/2 nylon flat washer	Consult
21	76176	Clear extruded rod	Consult
22	15895	Switch cover	Consult
23	75861	Push button switch assembly	Consult
24	22262	Liquid tight 1/2 NPT seal	Consult
25	71349	Breathing .25 diameter filter	Consult
26	Consult	Gusset bottom plate	Consult
27	76158	Retaining no. 8 ring	Consult
28	30625	Plain no. 8 nylon washer	Consult
29	76157	8-32 NC x .375 screw	Consult
30	Consult	Vertical component plate	Consult
31	74880	4 in primary display board	Consult
31	74882	6 in primary display board	Consult
32	74881	4 in secondary display board	Consult
32	74883	6 in secondary display board	Consult
33	76156	PCB support mini post	Consult
34	76246	Cable assy, 21 in	Consult
34	76247	Cable assy, 30 in	Consult
35	104283	23 in long ribbon cable	Consult
36	76653	Serial comm pin out label	Consult
37	76225	14 in long ribbon cable	Consult
38	72996	12V board power supply	Consult
38	175563	12V power supply UL marked	Consult
39	45043	4 in with no. 8 ground wire	Consult
40	75860	Power supply cable assembly	Consult
41	19538	Slotted black post only	Consult
42	104284	CPU to traffic light cable	Consult
44	119735	CPU Laserlight board	Consult
45	76226	4 in long ribbon cable	Consult
46	77136	Printed circuit support	Consult
47	110520	LaserLight-Stop/Go gray lens	Consult
47	107025	LaserLight-4 gray lens	Consult
47	110517	LaserLight-6 gray lens	Consult
49	74870	Mounting gasket plate	Consult
50	15665	1/2 NPT reducing gland	Consult
50	14839	6-32 NC x 1/4 MACH screw	Consult
51	80589	Cable tie push-in mount	Consult
52	103651	LED traffic board assembly	Consult
54	104301	3M VHB 5952 black tape	Consult/in
<b>Components of Part #92056</b>			<b>Consult</b>
	66730	Cylindrical EMI filter (1)	Consult
	76513	4 POS screw terminal connector (2)	Consult
	76514	6 POS screw terminal connector (1)	Consult

(See Diagrams Laserlight-C-D-E)

Remote Displays



4 inch

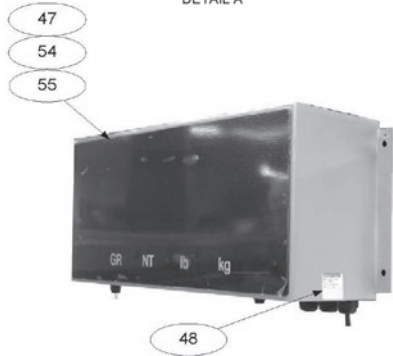
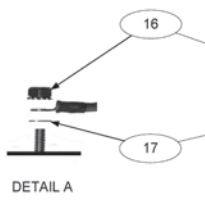
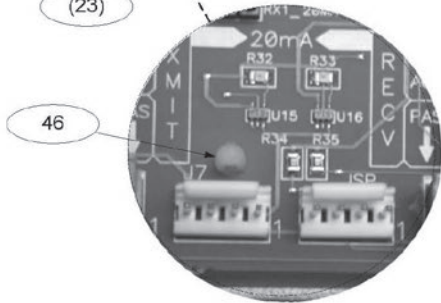
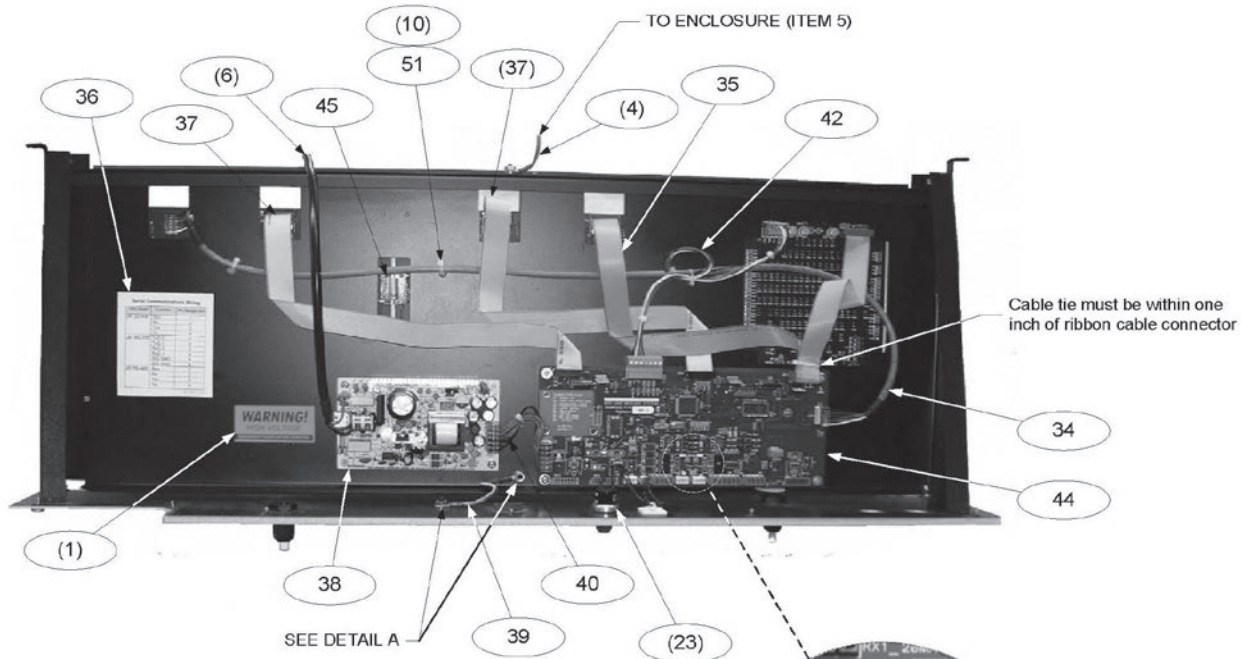


6 inch shown with visor



REMOTE DISPLAYS  
**LaserLight®**  
 4 Inch, 6 Inch & 4 Inch Stop & Go

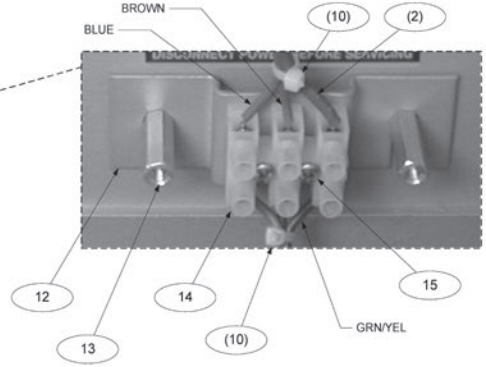
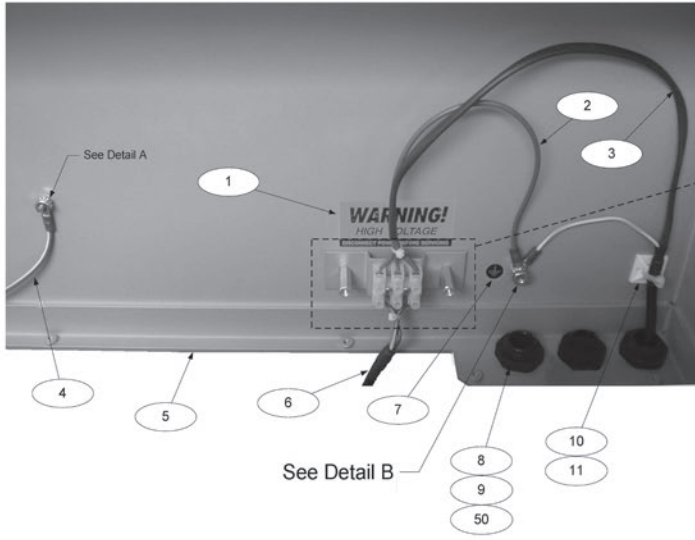
Remote Displays



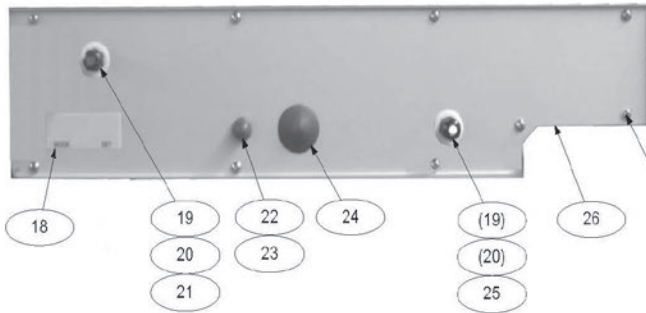
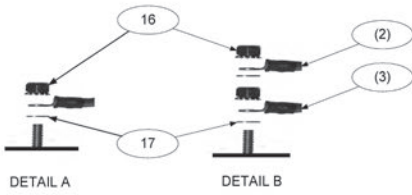
*LaserLight-C*  
 4 in Stop/Go LaserLight

REMOTE DISPLAYS  
**LaserLight®**  
 4 Inch Stop & Go

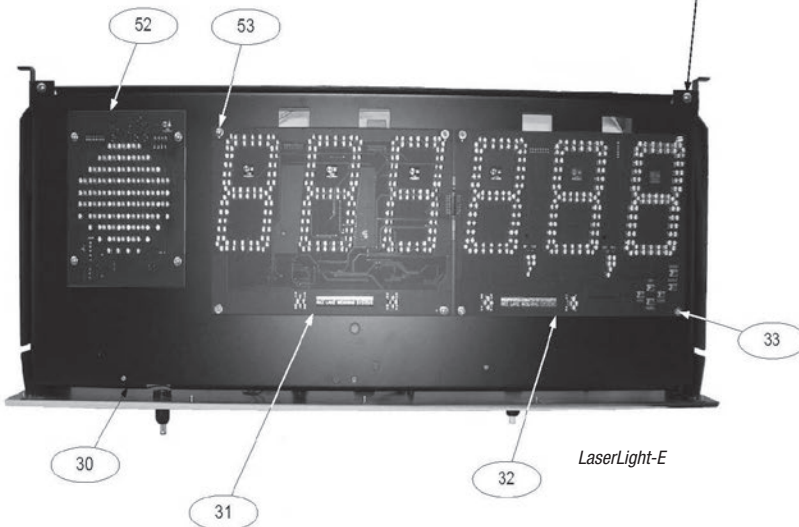
Remote Displays



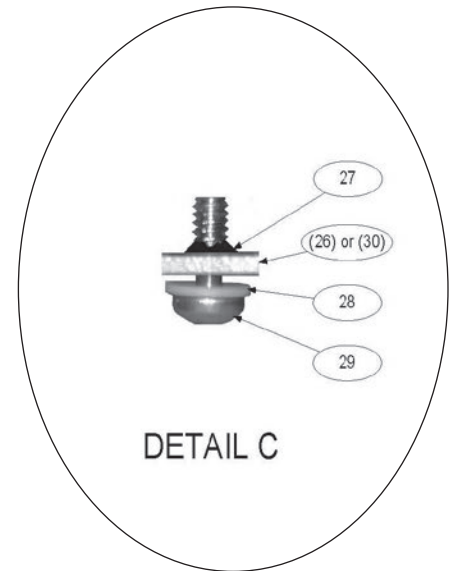
LaserLight-D



SEE DETAIL C



LaserLight-E



DETAIL C

# LaserLT-60 and LaserLT-100

## Part Number/Price

Ref#	Part#	Description	Price
1	193011	Front panel overlay-60	Consult
1	193014	Front panel overlay-100	Consult
2		Display cover red plexiglass	Consult
3		Stainless steel front panel	Consult
4	193425	Display-60 board	Consult
4	193426	Display-100 board	Consult
5		Indicator bracket	Consult
6		Stainless steel case	Consult
7	193427	Power supply	Consult
8		Mounting bracket for power adapter	Consult
9	193424	CPU board	Consult
10		Gasket adhesive foam	Consult
		Pluggable 110-230VAC cable for power adapter	Consult

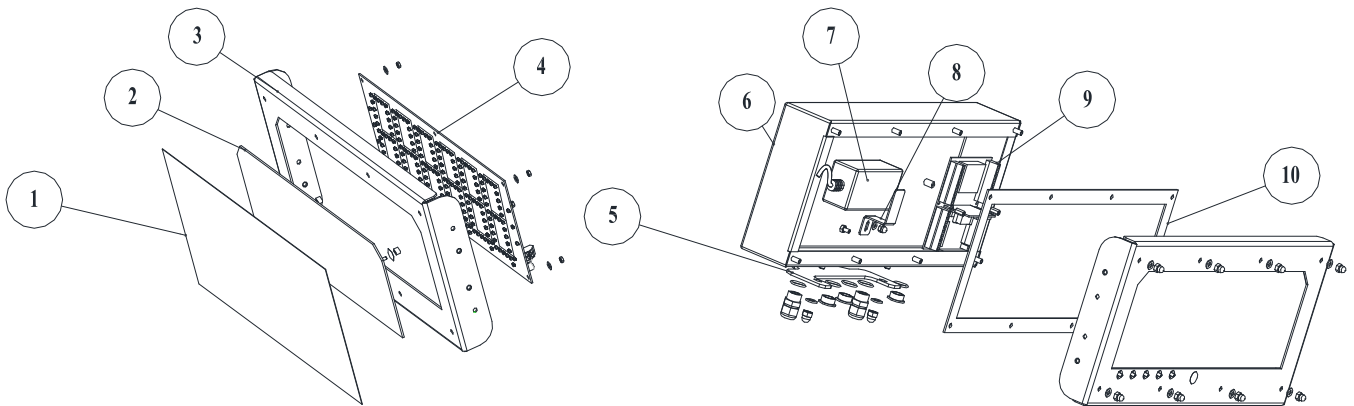


LaserLT-60



LaserLT-100

Remote Displays



# LaserLight® 3M8 & 3M12

## Part Number/Price

Ref#	Part#	Description	Price
<b>3M8 and 3M12 Parts</b>			
2	75569	Bracket, inside terminal (1)	Consult
3	44744	Terminal block, 3-position (1)	Consult
4	15630	Locknut, 1/2 NPT black (3)	Consult
8	75857	Power cord (1)	Consult
9	84760	Display board, LED (1)	Consult
10	72999	Display board, primary (1) (*2)	Consult
11	76157	Machine screw (11) (*13)	Consult
12	30625	No. 8, plain nylon washer (11) (*13)	Consult
13	76158	Retaining ring (11) (*13)	Consult
14	76254	Ground wire, 10 in (1)	Consult
15	76246	6-position cable (1)	Consult
16	75861	Push button switch (1)	Consult
17	45043	Ground wire, 4 in (1)	Consult
22	16774	Fuse cover, 5 x 20 mm, blue (1)	Consult
23	72996	Power supply, 12V board (1)	Consult
24	76225	Ribbon cable, 14 in (1) (*2)	Consult
25	85130	CPU board (1)	Consult
26	76224	Ribbon cable, 8 in (1)	Consult
27	76176	Clear extruded rod (1)	Consult
28	71349	Filter, breathing .25 in diameter (1)	Consult
29	58983	Cable grip, SL-7 with nut (2)	Consult
30	22262	Seal, liquid tight 1/2 NPT (1)	Consult
31	15895	Cover, switch SRVR NEMA 4X (1)	Consult
33	40672	Ground wire, 9 in (1)	Consult
34	14626	Kep nut, 8-32 NC hex (6)	Consult
35	15134	Lock washer, no. 8 type A (6)	Consult
37	15628	Cord grip, 1/2 NPT black (3)	Consult
38	15665	Reducing gland, 1/2 NPT (3)	Consult
39	19538	Post only, slotted black (1)	Consult
40	75860	Power supply cable (1)	Consult
41	14833	Screw, MACH, 4-40 NC x 1/2 (2)	Consult
42	45302	Standoff, 8-32 NC (2)	Consult
	75936	Installation manual (1)	Consult
<b>Components of Parts Kit # 92056</b>			<b>Consult</b>
	66730	Cylindrical EMI filter	Consult
	76513	4 POS screw terminal connector	Consult
	76514	6 POS screw terminal connector	Consult
<b>3M8 Parts Only</b>			
1	84844	Enclosure, steel (1)	Consult
5	110518	Lens, optically filtering	Consult
7	72994	Gasket, mounting plate UV (1)	Consult
18	76408	Cable (1)	Consult
19	84845	Bottom plate (1)	Consult
20	84846	Component plate (1)	Consult
<b>3M12 Parts Only</b>			
1	84847	Enclosure, steel (1)	Consult
5	110519	Lens, optically filtering	Consult
7	74870	Gasket, mounting plate UV (1)	Consult
18	76247	Cable (1)	Consult
19	84848	Bottom plate (1)	Consult
20	84849	Component plate (1)	Consult

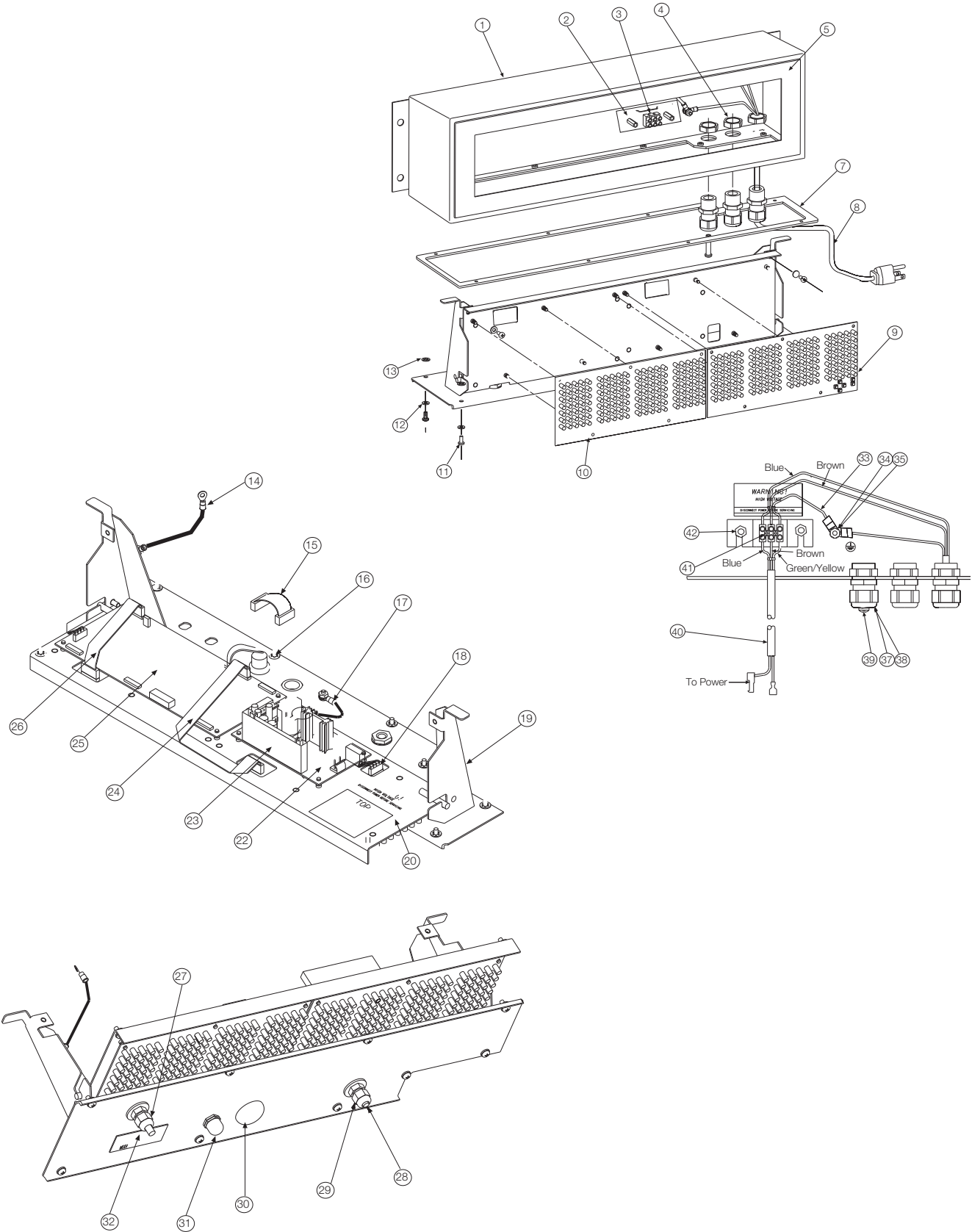
\* Includes two boards

Remote Displays



REMOTE DISPLAYS  
**LaserLight® 3M8 & 3M12**

Remote Displays



# LaserLT RD-1550



## Part Number/Price



Ref#	Part#	Description	Price
1	110384	Board assembly, LED remote	Consult
2	111848	Overlay, membrane switch	Consult
3	113535	Enclosure, LaserLT RD1550	Consult
4	113542	Cover, power supply	Consult
5	113769	Lens, display front red	Consult
6	114019	Gasket, enclosure LaserLT	Consult
7	114433	Cable assembly, power supply	Consult
8/F	114549	Standoff, FEM-FEM 4-40NC	Consult
	115525	Parts kit, LaserLT	Consult
<b>Components of Part #115525</b>			
	15133	Washer, lock no. 8 type A	Consult
	15631	Cable tie, 3 in nylon	Consult
	16159	Bag, plastic Ziploc 3 x 5	Consult
	19538	Post only, slotted black	Consult
	53075	Clamp, ground cable shield	Consult
9/A	14626	Nut, kep 8-32 NC hex	Consult
10/E	14825	Screw, MACH 4-40NC x 1/4	Consult
11/B	15134	Washer, lock no 8 type A	Consult
12	15626	Cable, grip black PG9	Consult
13	15627	Locknut, black PCN9	Consult
14	16861	Label, warning high voltage	Consult
16	30375	Seal ring, nylon PG9	Consult
17/D	40672	Wire assembly ground 9in	Consult
19	68599	Seal ring, nylon PG11	Consult
20	68600	Cord grip, PG11	Consult
21	68601	Nut, PG11	Consult
22	76556	Power supply, 85-265VAC	Consult
22	97475	Power supply, DC/DC 9-36VDC	Consult
23/C	85202	Power cord assembly, 120VAC	Consult
	15888	Terminal block, 3 position for DC unit	Consult
24	88733	Vent, breather sealed	Consult
25	88734	Nut, breather vent	Consult
	85791	Fuse 2.5 amp, 5 x 20	Consult
	114035	Operating manual LaserLT	Consult
	112262	ReFlash cable	Consult

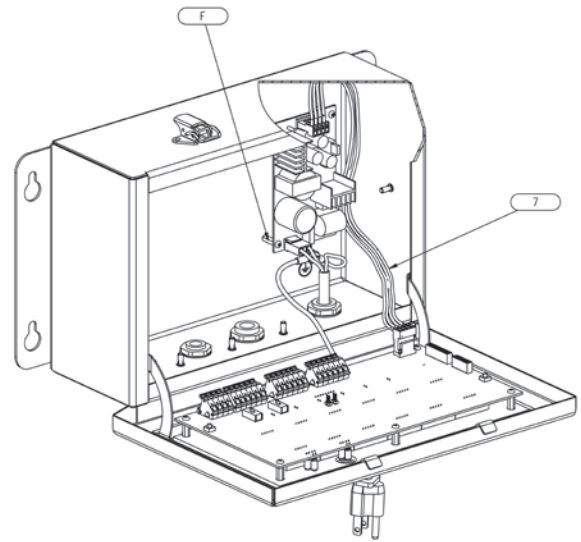
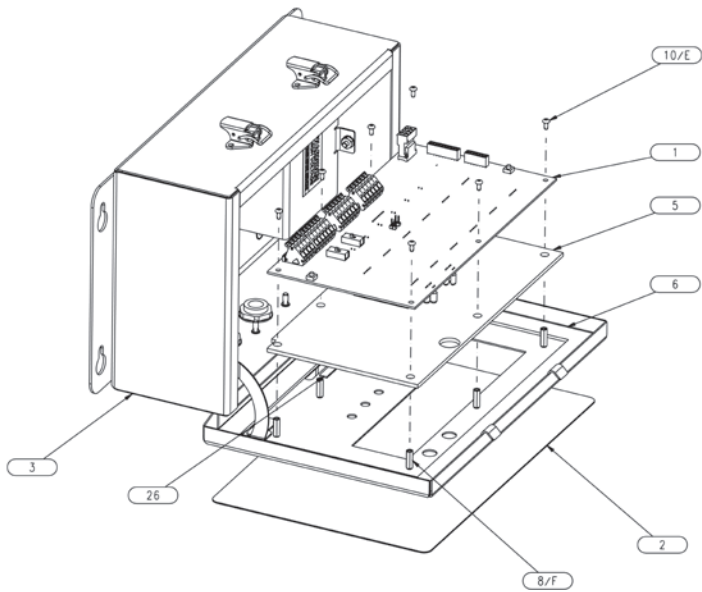
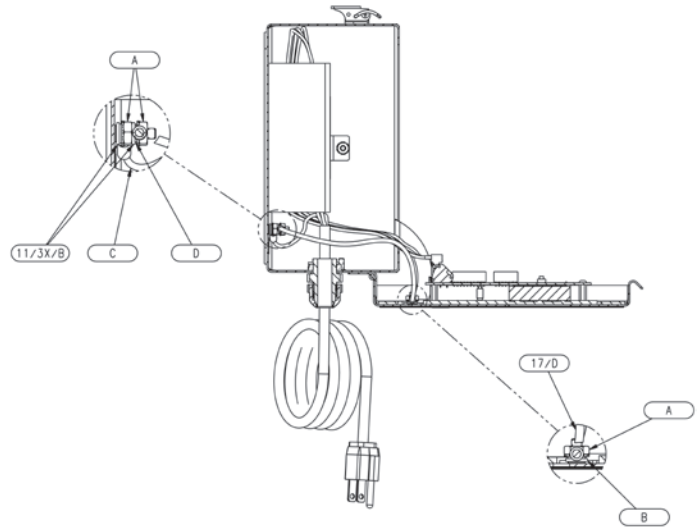
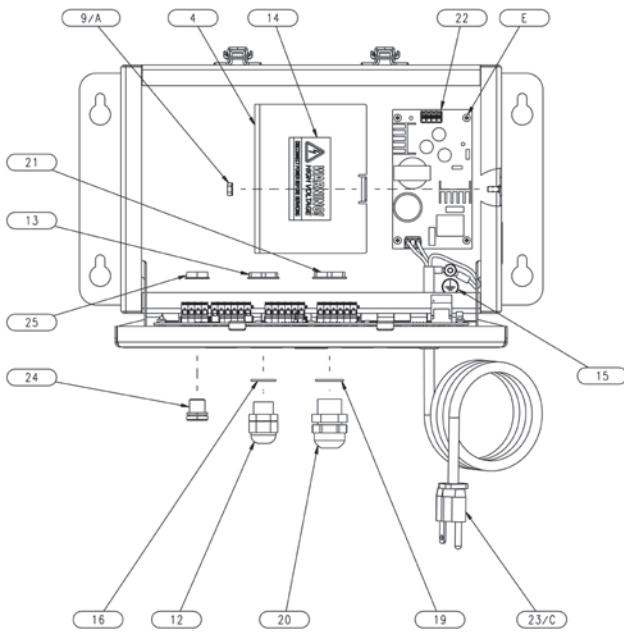
(See Diagram Laser LT-A)

Remote Displays



REMOTE DISPLAYS  
**LaserLT RD-1550**

Remote Displays



LaserLT-A

REMOTE DISPLAYS

# RD-232 and RD-300

## Part Number/Price

Part#	Description	Price
<b>RD-232 Remote Display</b>		
32726	Display/CPU board, 117 VAC/12VDC, red LED	Consult
33210	Operating manual, RD-300/RD-232	Consult
34018	Overlay, front panel, red tint	Consult
179496	Display/CPU board, 117 VAC/12VDC, green LED	Consult
177625	Overlay, front panel clear, green	Consult
<b>RD-300 Remote Display</b>		
32724	Display/CPU board	Consult
32725	Display/CPU with backlight board	Consult
22547	LCD display	Consult
35993	Fuse, .25A Slo-Blo	Consult
22546	Overlay, front panel	Consult
22548	LCD backlight board	Consult
33210	Operating manual, RD-300/RD-232	Consult

Remote Displays



RD-232



RD-300



# Display, External Mount

Tracer Airline Baggage Scale Display

## Part Number/Price

Ref#	Part#	Description	Price
	104872	Cable assembly, remote display	Consult
1	93215	Lens, remote display red	Consult
2	108731	Enclosure housing, low	Consult
3	104292	Spacer, brass 0.25 diameter	Consult
4	93561	Board, printed circuit	Consult
5	108735	Standoff, female to female 8-32NC	Consult
6	108732	Back plate, low profile	Consult
7	108733	Screw, MACH 8-32NC x 3/16	Consult
9	15134	Washer, lock no. 8 type A	Consult
10	108934	Nut, wing 8-32	Consult

(See Diagram A)



Diagram A

Remote Displays

# Display, Panel Mount RD-1 and RD-2

Tracer Airline Baggage Scale Display

## Part Number/Price

Ref#	Part#	Description	Price
<b>RD-1</b>			
1	93559	Front panel assembly, remote	Consult
2	93215	Lens, remote display red	Consult
3	104292	Spacer, brass 0.25 diameter	Consult
4	93561	Board, printed circuit	Consult
5	14626	Nut, kep 8-32NC HEX	Consult
6	93213	Enclosure, back cover	Consult
8	15134	Washer, lock no. 8 type A	Consult
9	108934	Nut, wing 8-32	Consult
	104872	Cable assembly, remote display	Consult
<b>RD-2</b>			
1	167183	Front panel assembly	Consult
2	166485	Remote display lens	Consult
4	163879	Board, printed circuit	Consult
6	164384	Back cover enclosure	Consult
	104872	Cable assembly	Consult

(See Diagram B)



Diagram B