

Crane Scales

TABLE OF CONTENTS

MSI-3460 Challenger 3	16
<i>Crane Scale</i>	
MSI-4260 Port-A-Weigh	18
<i>Industrial Crane Scale</i>	
MSI-4260 IS Port-A-Weigh	20
<i>Intrinsically Safe Crane Scale</i>	
MSI-4260M Port-A-Weigh	21
<i>Industrial Crane Scale</i>	
MSI-4260M Port-A-Weigh	23
<i>Marine Crane Scale</i>	
MSI-9600HT Hi-Torque Port-A-Weigh Plus	24
<i>High Torque Crane Scale</i>	
MSI-6360 Trans-Weigh	25
<i>Crane Scale</i>	
Crane Scale Cart	27
<i>Universal Transport and Storage Cart</i>	
MSI-7300 Dyna-Link 2	28
<i>Digital Tension Dynamometer</i>	
MSI Dyna-Clamp	30
<i>Tension Meter</i>	
MSI Clamp-On	31
<i>Load Cell</i>	
MSI Load Pin Sensors	32
MSI Shear Web	33
<i>Load Cell</i>	
MSI Tension Link	34
<i>Load Cell</i>	
Shackle Dimensions	35

The following product names, logos, brands and other trademarks featured or referred to within this publication are the property of their respective trademark holders.

MSI-3460 Challenger 3

Crane Scale

CRANE SCALES



Approvals



Standard Features

- Multi-color LED display
- Top lifting eye and bottom swivel hook
- Lb/kg switch selectable
- Six volt rechargeable battery and universal 115/230 VAC, 50/60 Hz battery charger (NA plug standard)
- Meets or exceeds OSHA, ANSI, ASME and other safety design standards (5:1 Ultimate Safety Factor)
- NTEP Certified (250 to 10,000 lb capacities)

Part Number/Price

Part #	Description	Est. Weight	Price
207063	250 lb (125 kg) 0.1 lb (0.05 kg)	22 lb	\$2,565.00
208091	500 lb (250 kg) 0.2 lb (0.1 kg)	22 lb	\$2,565.00
207064	1,000 lb (500 kg) 0.5 lb (0.2 kg)	22 lb	\$2,715.00
208138	2,000 lb (1,000 kg) 1 lb (0.5 kg)	22 lb	\$2,715.00
207065	5,000 lb (2,500 kg) 2 lb (1 kg)	39 lb	\$3,370.00
208092	10,000 lb (5,000 kg) 5 lb (2 kg)	39 lb	\$3,370.00
207067	15,000 lb (7,000 kg) 5 lb (2 kg)	67 lb	\$5,080.00
207633	250 lb (125 kg), RF Modem 0.1 lb (0.05 kg)	22 lb	\$2,730.00
208096	500 lb (250 kg), RF Modem 0.2 lb (0.1 kg) 22 lb	22 lb	\$2,730.00
207635	1,000 lb (500 kg), RF Modem 0.5 lb (0.2 kg) 22 lb	22 lb	\$2,885.00
208140	2,000 lb (1,000 kg), RF Modem 1 lb (0.5 kg)	22 lb	\$2,885.00
207637	5,000 lb (2,500 kg), RF Modem 2 lb (1 kg) 39 lb	39 lb	\$3,540.00
208098	10,000 lb (5,000 kg), RF Modem 5 lb (2 kg) 39 lb	39 lb	\$3,540.00
207639	15,000 lb (7,000 kg), RF Modem 5 lb (2 kg) 67 lb	67 lb	\$5,270.00
207640	250 lb (125 kg), with Wi-Fi 0.1 lb (0.05 kg) 22 lb	22 lb	\$2,870.00
208100	500 lb (250 kg), with Wi-Fi 0.2 lb (0.1 kg) 22 lb	22 lb	\$2,870.00
207642	1,000 lb (500 kg), with Wi-Fi 0.5 lb (0.2 kg) 22 lb	22 lb	\$3,020.00
208141	2,000 lb (1,000 kg), with Wi-Fi 1 lb (0.5 kg) 22 lb	22 lb	\$3,020.00
207644	5,000 lb (2,500 kg), with Wi-Fi 2 lb (1 kg) 39 lb	39 lb	\$3,675.00
208102	10,000 lb (5,000 kg), with Wi-Fi 5 lb (2 kg) 39 lb	39 lb	\$3,675.00
207646	15,000 lb (7,000 kg), with Wi-Fi 5 lb (2 kg)	67 lb	\$5,410.00

Options

(Contact MSI for application consultation)

- RF modem install for connectivity to MSI-8000, MSI-8000HD RF, MSI-8004HD RF remote display, TranSend™ and LaserLight2 remote display (Typical range 100-300 ft line of sight)
- Rugged Remote (control for Off, Zero, Tare and other functions) (Requires 3460RF version, typical range 50 ft line of sight)
- Universal direct power supply (115/230 VAC)
- Audible alarm
- Wi-Fi communication is available for specialty applications

Specifications

Accuracy:

± 0.1% (+1 d) of applied load

Resolution:

2,500 d max standard
(up to 10,000 d max non-standard)

Enclosure:

NEMA 4, IP65, powder coated cast aluminum

Lifting Eye & Hook:

Crosby® or equivalent with 360° non-bearing swivel hook

Design Overload:

200% safe / 500% ultimate

Functions:

Power, zero, tare, user (programmable)

Display:

Five-digit, 1.5 in (38 mm) LED with programmable brightness control; toggle between red, orange and green digits

Displayable Units:

Pounds or kilogram selectable

Annunciators:

COZ, net, gross, total, peak, low battery, lb/kg, motion, setpoints, ACK IN, ACK OUT, RF

Power:

6 volt rechargeable battery. 115/230 VAC battery charger is included

Operating Time:

Up to 80 hours between charging with typical use. Less with optional RF model link

Temperature Range:

Legal: 14 °F to 104 °F (-10 °C to 40 °C)
Industrial: -10 °F to 104 °F (-40 °C to 40 °C)

Auto-Off Mode:

Select for 15, 30, 45, 60 minutes or off

Auto Sleep Mode:

Power down during non-use and power up with weight change or any key press

Service Counters:

Counts number of lifts over percentage of capacity and lifts over capacity

Filtering:

OFF, LO, HI-1, HI-2 selectable

Warranty:

One-year limited

Approvals:

NTEP 86-021: 250 to 10,000 lb
OIML R76/2006-A-NL1-21.36
*CE
*UKCA

*Contact RLWS MSI Sales for additional information

MSI-3460 Challenger 3

Crane Scale

Options/Accessories

Part #	Description	Est. Weight	Price
140049	Battery assembly, 6 volt rechargeable	3 lb	\$155.00
139152	Universal 115/230 VAC, 50/60 Hz battery charger (NA plug standard)	5 lb	\$200.00
139153	Battery charger 115/230 VAC, 50/60 Hz (EC plug standard)	5 lb	\$200.00
197201	Battery charger, 115 VAC, 50/60 Hz (NA plug standard) CEC compliant	5 lb	\$245.00
149549	Universal 115/230 VAC 50/60 Hz (NA plug standard) battery charger for MSI-8000 remote display	3 lb	\$165.00
178004	LaserLight2, 4 in (100 mm) six-digit RF scoreboard (requires MSI-3460 with RF modem)	21 lb	\$2,535.00
178006	LaserLight2, 6 in (150 mm) six-digit RF scoreboard (requires MSI-3460 with RF modem)	37 lb	\$3,005.00
Consult	AC power supply	-	\$325.00
140058	3460 AC conversion kit	1 lb	\$465.00
Consult	Audible alarm	-	\$420.00
Consult	3460 retrofit kit	3 lb	Consult
173014	Rugged remote control (requires MSI-3460 with RF modem)	-	\$355.00
139381	MSI-8000 RF remote display (requires MSI-3460 with RF modem)	5 lb	\$1,415.00
153591	MSI-8000HD ScaleCore RF remote display (requires MSI-3460 with RF modem)	-	\$1,541.00
178281	MSI-8004HD AC, red/green 85~264 VAC, 47~440 Hz, 120~370 VDC	-	\$2,120.00

CRANE SCALES

MSI-4260 Port-A-Weigh

Industrial Crane Scale



Approvals



Measurement
Canada
Approved

Standard Features

- Multi-color LED display
- Top lifting eye or shackle, bottom thrust bearing swivel hook
- 12 volt rechargeable battery and universal 115/230 VAC, 50/60 Hz battery charger (NA plug standard)

Options

(Contact MSI for application consultation)

- Rugged remote control (control for On/Off, Zero, Tare and other functions)
- RF modem install for connectivity to MSI-8000, MSI-8000HD RF, MSI-8004HD RF remote display, TranSend™ and LaserLight2 remote display. Typically 100 to 300 ft, line of sight; for longer range consult factory
- Anti-heat shielding for high temperature applications
- Substitute bottom swivel hook with shackle
- Oversized top lifting eye or shackle
- Oversized bottom hook
- Universal direct power supply; 85 to 265 VAC, 47 to 440 Hz / 130 to 300 VDC
- Wi-Fi communication is available for specialty applications and for use with the ScaleCore Webservice
- Low headroom top adapter
- Audible alarm
- Custom top and bottom interfaces
- Factory Mutual and ATEX approved intrinsically safe models available

Part Number/Price

Part #	Description	Resolution	Est. Weight	Price
197760	500 lb (250 kg), swivel hook, F/A	0.2 lb (0.1 kg)	53 lb	\$5,305.00
197761	2,000 lb (1,000 kg), swivel hook, F/A	1.0 lb (0.5 kg)	53 lb	\$5,310.00
197762	5,000 lb (2,500 kg), swivel hook, F/A	1.0 lb (0.5 kg)	62 lb	\$5,475.00
197763	10,000 lb (5,000 kg), swivel hook, F/A	2.0 lb (1.0 kg)	62 lb	\$6,005.00
197764	20,000 lb (10,000 kg), swivel hook, F/A	5.0 lb (2.0 kg)	105 lb	\$6,950.00
197765	30,000 lb (15,000 kg), swivel hook, F/A	10 lb (5.0 kg)	125 lb	\$7,040.00
197766	50,000 lb (25,000 kg), swivel hook, F/A	10 lb (5.0 kg)	235 lb	\$12,380.00
197767	70,000 lb (35,000 kg), swivel hook, F/A	20 lb (10 kg)	270 lb	\$17,480.00
197768	100,000 lb (50,000 kg), swivel hook, F/A	20 lb (10 kg)	420 lb	\$25,345.00

Specifications

Accuracy:

± 0.1% +1d of applied load

Resolution:

2,000 to 5,000 d standard
(Up to 10,000 d available)

Enclosure:

NEMA Type 4, IP66 marine grade 356 alloy anodized cast aluminum

Lifting Eye, Shackle & Hook:

Crosby® or equal with 360° thrust-bearing swivel hook

Design Overload:

200% Safe / 500% Ultimate (except where noted)

Functions:

Power, zero, tare, F1 (programmable)

Display:

1.2" (30 mm), 5-digit, programmable LED display, multi-color (red, orange, and green)

Displayable Units:

Pounds or kilograms selectable

Annunciators:

COZ, Net, Gross, Total, Peak, Low Battery, lb/kg, Motion, Setpoints

Power:

12 Volt rechargeable battery (115/230 VAC battery charger is included)

Operating Time:

Up to 200 hours between charging with typical use, less with optional RF modem

Temperature Range:

Operating: -40 °F to 122 °F (-40 °C to 50 °C)
Certified: 14 °F to 104 °F (-10 °C to 40 °C)

Auto-Off Mode:

Select for 15, 30, 45 minutes, 1 hour or off

Auto Sleep Mode:

Power down during non-use and power up with weight change or any key press

Service Counters:

Counts number of lifts over percentage of capacity and lifts over capacity

Filtering:

OFF, LO, HI-1, HI-2 selectable

Warranty:

One-year limited

Approvals:

NTEP CC 19-122: 500 to 70,000 lb
Measurement Canada AM-6198: 500 to 5,000 lb

MSI-4260 Port-A-Weigh

Industrial Crane Scale

Options/Accessories

Part #	Description	Est. Weight	Price
150971	MSI RF modem option kit (used with MSI-4260, MSI-4260M, MSI-9600HT)	-	\$250.00
139381	MSI-8000 RF remote display (requires MSI-4260 equipped with RF modem)	5 lb	\$1,415.00
173014	RF rugged remote control (requires MSI-4260 equipped with RF modem)	-	\$355.00
153591	MSI-8000HD remote display, AC power and tilt bracket option (requires MSI-4260 equipped with RF modem)	3 lb	\$1,541.00
178281	MSI-8004HD AC, red/green 85~264 VAC, 47~440 Hz, 120~370 VDC (requires MSI-4260 equipped with RF modem)	-	\$2,120.00
159221	Universal crane scale transport cart	180 lb	\$1,340.00
178004	LaserLight2, 4 in (100 mm) six-digit RF scoreboard (requires MSI-4260 equipped with RF modem)	21 lb	\$2,535.00
178006	LaserLight2, 6 in (150 mm) six-digit RF scoreboard (requires MSI-4260 equipped with RF modem)	37 lb	\$3,005.00
Consult	AC direct power supply	-	\$560.00
Consult	Audible alarm	-	\$420.00
Consult	Anti-heat shield	-	\$1,125.00
Consult	4260 retrofit kit	5 lb	Consult
176956	MSI Wi-Fi modem option kit (used in MSI-4260, MSI-4260M, MSI-6360, MSI-9600HT)	-	\$490.00
150367	Battery assembly, 12 V rechargeable	7 lb	\$145.00
138006	Universal 115/230 VAC, 50/60 Hz battery charger (NA plug standard)	4 lb	\$345.00
138007	Universal 115/230 VAC, 50/60 Hz battery charger (UK plug standard)	4 lb	\$345.00
138008	Universal 115/230 VAC, 50/60 Hz battery charger (EC plug standard)	4 lb	\$345.00
149549	Universal 115/ 230 VAC 50/60 Hz (NA plug standard) battery charger for MSI-8000 remote display	3 lb	\$165.00
4260 Sub Hook with Shackle			
Consult	500 to 10,000 lb, 6.5 ton shackle	-	Consult
Consult	20,000 to 30,000 lb, 17 ton shackle	-	Consult
Consult	50,000 lb, 25 ton shackle	-	Consult
Consult	70,000 lb, 40 ton shackle	-	Consult
Consult	100,000 lb, 55 ton shackle	-	Consult
4260 Oversize Lifting Eye/Shackle			
Consult	500 to 10,000 lb capacity	-	Consult
Consult	20,000 to 30,000 lb capacity, adapter with 25 ton shackle	-	Consult
Consult	50,000 to 70,000 lb capacity	-	Consult
Consult	100,000 lb capacity	-	Consult

CRANE SCALES

MSI-4260 IS Port-A-Weigh

Intrinsically Safe Crane Scale



CRANE SCALES

Approvals



Standard Features

- LED display
- Top lifting eye or shackle, bottom thrust bearing swivel hook
- 12 volt rechargeable battery and universal 115/230 VAC, 50/60 Hz battery charger (NA plug standard)

(Contact MSI for application consultation)

Part Number/Price

Part #	Description	Resolution	Price
156013	500 lb (250 kg), swivel hook	0.2 lb (0.1 kg)	\$7,085.00
156014	2,000 lb (1,000 kg), swivel hook	1.0 lb (0.5 kg)	\$7,085.00
156015	5,000 lb (2,500 kg), swivel hook	1.0 lb (0.5 kg)	\$7,085.00
156016	10,000 lb (5,000 kg), swivel hook	2.0 lb (1.0 kg)	\$7,085.00
156017	20,000 lb (10,000 kg), swivel hook	5.0 lb (2.0 kg)	\$8,970.00
156018	30,000 lb (15,000 kg), swivel hook	10 lb (5.0 kg)	\$8,970.00
156019	50,000 lb (25,000 kg), swivel hook	10 lb (5.0 kg)	\$13,225.00
156020	70,000 lb (35,000 kg), swivel hook	20 lb (10 kg)	\$15,635.00
156021	100,000 lb (50,000 kg), swivel hook	20 lb (10 kg)	\$24,075.00

Capacities over 70,000lb are not NTEP

Options/Accessories

Part #	Description	Price
170606	Battery charger	\$330.00
167777	Spare battery	\$295.00

Specifications

Accuracy:

± (0.1% +1 d) of applied load

Resolution:

3,000 to 5,000 d standard
(up to 10,000 d available)

Enclosure:

NEMA Type 4, IP66 marine grade 356 alloy
anodized cast aluminum

Intrinsic Safety:

USA Listings
FM16US0156X
IS Class I, Division 1, Groups C, D; T4 - PN 184530
IS Class II, Division 1, Groups, E, F, G; T4; Class III,
Division 1 - PN 184530
Class I, Zone 0, AEx ia IIB T4 Ga - PN 184530
Class I, Zone 20, AEx ia IIIC T135°C Da - PN 184530
Ta = -20 °C to +50 °C
Canada Listings
FM16CA0092X
Ex ia Class I, Division 1, Groups C, D; T4 - PN 184530
Ex ia Class II, Division 1, Groups E, F, G, Class III,
Division 1; T4 - PN 184530
Class I, Zone 0, Ex ia IIB T4 Ga - PN 184530
Class I, Zone 20, Ex ia IIIC T135°C Da - PN 184530
TA = -10 °C to +50 °C
ATEX / UKEX Listings
FM18ATEX0052X
FM21UKEX0104X
II 1 G Ex ia IIB T4 Ga
II 1 D Ex ia IIIC T135°C Da
-10 °C Ta +50 °C

Lifting Eye, Shackle & Hook:

Crosby® or equal with 360° thrust-bearing
swivel hook

Design Overload:

200% Safe / 500% Ultimate (except where noted)

Functions:

Power, zero, tare, Mode F1 (programmable)

Display:

Five-digit, 1.2 in (30 mm) LED with
programmable brightness control

Displayable Units:

Pounds or kilograms selectable

Annunciators:

COZ, Net, Gross, Total, Peak, Low Battery, lb/kg,
Motion, Setpoints

Power:

12 volt rechargeable battery
115/230 VAC approved battery charger is included

Temperature Range:

Certified: -10 °C to 40 °C

Operating Time:

Up to 200 hours between charging with typical use

Auto-Off Mode:

Select for 15, 30, 45 minutes, 1 hour or Off

Auto Sleep Mode:

Power down during non-use and power up with
weight change or any key press

Service Counters:

Counts number of lifts over percentage of capacity
and lifts over capacity

Filtering:

OFF, LO, HI-1, HI-2 selectable

Warranty:

One-year limited

Approvals:

NTEP 19-122: 500 to 70,000 lb
Measurement Canada AM-6198: 500 to 5,000 lb
cFMus Approved

MSI-4260M Port-A-Weigh

Industrial Crane Scale



Standard Features

- LCD display
- IP66 cast aluminum
- Top lifting eye or shackle, bottom thrust bearing swivel hook
- Battery operated, six (6) D cell 1.5V alkaline batteries or 12 volt rechargeable battery (115/230 VAC battery charger is included)

Options

(Contact MSI for application consultation)

- Rugged Remote (control for On/Off, Zero, Tare and other functions)
- RF modem install for connectivity to MSI-8000, MSI-8000HD RF, MSI-8004HD RF remote display, TranSend™ and LaserLight2 remote display
- Wi-Fi communication is available for specialty applications
- Anti-heat shielding for high temperature applications
- Substitute bottom swivel hook with shackle
- Oversized top lifting eye or shackle
- Oversized bottom hook
- Universal direct power supply; 85 to 265 VAC, 47 to 440 Hz / 130 to 300 VDC
- Low headroom top adapter
- Audible alarm
- Custom top and bottom interfaces

Specifications

Accuracy:

± 0.1% +1 d of applied load

Resolution:

Max NTEP Approved Class III: 2,500 d
Max NTEP Approved Class III: 5,000 d
Max Non-NTEP Approved: 10,000 d

Enclosure:

IP66 cast aluminum

Lifting Eye, Shackle & Hook:

Crosby® or equal with 360° thrust-bearing swivel hook

Design Overload:

200% Safe / 500% Ultimate (except where noted)

Functions:

Power: Turns Unit ON or OFF
Zero: Zeros applied load up to 100% of capacity (limited range in NTEP configuration)
Tare: Tares applied load and displays weight in Net mode
User: Programmable as test, total, unit, peak hold, net/gross, view total and print

Display:

Five-digit, 1.75 in (44.5 mm) LCD with programmable brightness control

Displayable Units:

Pounds or kilograms selectable

Annunciators:

COZ, Battery Level, Net, Total, lb/kg, Stability, RF and Setpoint LEDs

Power:

Battery operated, six (6) D cell 1.5V alkaline batteries or 12 volt rechargeable battery (115/230 VAC battery charger is included)

Operating Time:

Six (6) D Cell 1.5V alkaline batteries:
Up to 1,000 hours of battery life with typical use, less with RF modem
12 volt rechargeable battery: Up to 250 hours between charging with typical use, less with RF modem

Temperature Range:

Operating: -20 °F to 122 °F (-28 °C to 50 °C)
Certified: 14 °F to 104 °F (-10 °C to 40 °C)

Auto-Off Mode:

Powers off after the scale is not used for the set time (in minutes); 15, 30, 45, 60 or OFF selectable

Auto Sleep Mode:

Power down during non-use after the set time (in minutes) and powers up with weight change or any key press; 5, 15, 30 or OFF selectable

Service Counters:

Counts number of lifts over percentage of capacity and lifts over capacity

Filtering:

OFF, LO, HI-1 or HI-2 selectable

Radio Link:

802.15.4 at 2.4 GHz

Radio Effective Range:

Typically 100 to 300 ft line of sight

Warranty:

One-year limited

Approvals:

NTEP CC 19-122: 500 to 70,000 lb
Measurement Canada AM-6198: 500 to 5,000 lb

Approvals



Measurement
Canada
Approved

Part Number/Price

Part #	Description	Resolution	Est. Weight	Price
4260M with LCD display, Swivel Hook, No RF, 12V SLA Battery				
201951	500 lb (250 kg) with 12V battery F/A	0.2 lb (0.1 kg)	53 lb	\$5,260.00
201953	2,000 lb (1,000 kg) with 12V battery F/A	1.0 lb (0.5 kg)	53 lb	\$5,265.00
201954	5,000 lb (2,500 kg) with 12V battery F/A	1.0 lb (0.5 kg)	62 lb	\$5,610.00
201955	10,000 lb (5,000 kg) with 12V battery F/A	2.0 lb (1.0 kg)	62 lb	\$5,845.00
201956	20,000 lb (10,000 kg) with 12V battery F/A	5.0 lb (2.0 kg)	105 lb	\$7,620.00
201957	30,000 lb (15,000 kg) with 12V battery F/A	10 lb (5.0 kg)	125 lb	\$8,005.00
201958	50,000 lb (25,000 kg) with 12V battery F/A	10 lb (5.0 kg)	235 lb	\$12,255.00
201959	70,000 lb (35,000 kg) with 12V battery F/A	20 lb (10 kg)	270 lb	\$16,040.00
201960	100,000 lb (50,000 kg) with 12V battery F/A	20 lb (10 kg)	420 lb	\$24,400.00
4260M with LCD display, Swivel Hook, No RF, D-Cell Battery				
201999	500 lb (250 kg) with D-cell battery F/A	0.2 lb (0.1 kg)	53 lb	\$5,265.00
202000	2,000 lb (1,000 kg) with D-cell battery F/A	1.0 lb (0.5 kg)	53 lb	\$5,265.00
202001	5,000 lb (2,500 kg) with D-cell battery F/A	1.0 lb (0.5 kg)	62 lb	\$5,610.00
202002	10,000 lb (5,000 kg) with D-cell battery F/A	2.0 lb (1.0 kg)	62 lb	\$5,845.00
202003	20,000 lb (10,000 kg) with D-cell battery F/A	5.0 lb (2.0 kg)	105 lb	\$7,620.00
202004	30,000 lb (15,000 kg) with D-cell battery F/A	10 lb (5.0 kg)	125 lb	\$8,005.00
202005	50,000 lb (25,000 kg) with D-cell battery F/A	10 lb (5.0 kg)	235 lb	\$12,255.00
202006	70,000 lb (35,000 kg) with D-cell battery F/A	20 lb (10 kg)	270 lb	\$16,040.00
202007	100,000 lb (50,000 kg) with D-cell battery F/A	20 lb (10 kg)	420 lb	\$24,400.00

Capacities over 70,000lb are not NTEP and capacities over 5,000lb are not currently Measurement Canada

CRANE SCALES

MSI-4260M Port-A-Weigh

Industrial Crane Scale

Options/Accessories

Part #	Description	Est. Weight	Price
150971	MSI RF modem option kit (used in MSI-4260, MSI-4260M, MSI-9600HT)	-	\$250.00
139381	MSI-8000 RF remote display (requires MSI-4260M equipped with RF modem)	5 lb	\$1,415.00
173014	RF rugged remote control (requires MSI-4260M equipped with RF modem)	-	\$355.00
153591	MSI-8000HD remote display, AC power and tilt bracket option (requires MSI-4260M equipped with RF modem)	3 lb	\$1,541.00
178281	MSI-8004HD AC, red/green 85~264 VAC, 47~440 Hz, 120~370 VDC	-	\$2,120.00
159221	Universal crane scale transport cart	180 lb	\$1,340.00
178004	LaserLight2, 4 in (100 mm) six-digit RF scoreboard (requires MSI-4260M equipped with RF modem)	21 lb	\$2,535.00
178006	LaserLight2, 6 in (150 mm) six-digit RF scoreboard (requires MSI-4260M equipped with RF modem)	37 lb	\$3,005.00
176956	MSI Wi-Fi modem option kit (used in MSI-4260, MSI-4260M, MSI-6360, MSI-9600HT)	-	\$490.00
Accessories			
150367	Battery assembly, 12V rechargeable	7 lb	\$145.00
138006	Universal 115/230 VAC, 50/60 Hz battery charger (NA plug standard)	4 lb	\$345.00
138007	Universal 115/230 VAC, 50/60 Hz battery charger (UK plug standard)	4 lb	\$345.00
138008	Universal 115/230 VAC, 50/60 Hz battery charger (EC plug standard)	4 lb	\$345.00
149549	Universal 115/ 230 VAC 50/60 Hz (NA plug standard) battery charger for MSI-8000 remote display	3 lb	\$165.00
4260 Sub Hook with Shackle			
Consult	500 to 10,000 lb, 6.5 ton shackle	-	Consult
Consult	20,000 to 30,000 lb, 17 ton shackle	-	Consult
Consult	50,000 lb, 25 ton shackle	-	Consult
Consult	70,000 lb, 40 ton shackle	-	Consult
Consult	100,000 lb, 55 ton shackle	-	Consult
4260 Oversize Lifting Eye/Shackle			
Consult	500 to 10,000 lb capacity	-	Consult
Consult	20,000 to 30,000 lb capacity, adapter with 25 ton shackle	-	Consult
Consult	50,000 to 70,000 lb capacity	-	Consult
Consult	100,000 lb capacity	-	Consult

CRANE SCALES

MSI-4260M Port-A-Weigh

Marine Crane Scale



Standard Features

- LCD display
- IP66 cast aluminum
- Top lifting eye with lower link interface
- Battery operated, six (6) D cell 1.5V alkaline batteries

Options

(Contact MSI for application consultation)

- Rugged Remote (control for On/Off, Zero, Tare and other functions)
- RF modem install for connectivity to MSI-8000, MSI-8000HD, MSI-8004HD, TranSend™ and LaserLight2 remote display. Typically 100 to 300 ft, line of sight; for longer range consult factory.
- Wi-Fi communication is available for specialty applications

Specifications

Accuracy:

± (0.1% +1d) of applied load

Resolution:

Max NTEP Approved Class III: 2,500 Divisions
Max NTEP Approved Class IIII: 5,000 Divisions
Max Non NTEP Approved: 10,000 Divisions

Enclosure:

IP66 cast aluminum

Lifting Eye, Link & Hook:

Top lifting eye with lower link interface

Design Overload:

200% Safe / 500% Ultimate

Functions:

Power: Turns Unit ON or OFF
Zero: Zeros applied load up to 100% of capacity (limited range in NTEP configuration),
Tare: Tares applied load and displays weight in Net mode
User: Programmable as test, total, unit, peak hold, net/gross, view total and print

Display:

Five-digit, 1.75 in (44.5 mm) LCD with programmable brightness control

Displayable Units:

Pounds or kilograms selectable

Annunciators:

COZ, Battery Level, Net, Total, lb/kg, Stability, RF and Setpoint LEDs

Power:

Battery operated, six (6) D cell 1.5 V alkaline batteries

Operating Time:

Up to 1,000 hours of battery life with typical use, less with RF modem option

Temperature Range:

Operating: -20° F to 122° F (-28 °C to 50 °C)
Certified: 14 °F to 104 °F (-10 °C to 40 °C)

Auto-Off Mode:

Powers off after the scale is not used for the set time (in minutes); 15, 30, 45, 60 or OFF selectable

Auto Sleep Mode:

Power down during non-use after the set time (in minutes) and powers up with weight change or any key press; 5, 15, 30 or OFF selectable

Service Counters:

Counts number of lifts over percentage of capacity and lifts over capacity

Filtering:

OFF, LO, HI-1 or HI-2 selectable

Radio Link:

802.15.4 at 2.4 GHz

Radio Effective Range:

Typically 100 to 300 ft line of sight

Warranty:

One-year limited

Approvals:

NTEP CC 19-122: 500 to 70,000 lb
Measurement Canada AM-6198: 500 to 5,000 lb

Approvals



Measurement
Canada
Approved

Part Number/Price

Part #	Description	Resolution	Est. Weight	Price
194593	5,000 lb	1.0 lb (0.5 kg)	58 lb	\$5,310.00
196908	5,000 lb w/RF	1.0 lb (0.5 kg)	58 lb	\$5,640.00

Options/Accessories

Part #	Description	Est. Weight	Price
139381	MSI-8000 RF remote display (requires MSI-4260M equipped with RF modem)	5 lb	\$1,415.00
173014	RF rugged remote control (requires MSI-4260M equipped with RF modem)	-	\$355.00
153591	MSI-8000HD remote display, AC power and tilt bracket option (requires MSI-4260M equipped with RF modem)	3 lb	\$1,541.00
178281	MSI-8004HD AC, red/green 85~264 VAC, 47~440 Hz, 120~370 VDC	-	\$2,120.00
159221	Universal crane scale transport cart	180 lb	\$1,340.00
178004	LaserLight2, 4 in (100 mm) six-digit RF scoreboard (requires MSI-4260M equipped with RF modem)	21 lb	\$2,535.00
178006	LaserLight2, 6 in (150 mm) six-digit RF scoreboard (requires MSI-4260M equipped with RF modem)	37 lb	\$3,005.00
176956	MSI Wi-Fi modem option kit (used in MSI-4260, MSI-4260M, MSI-6360, MSI-9600HT)	-	\$490.00

CRANE SCALES

MSI-9600HT Hi-Torque Port-A-Weigh Plus

High Torque Crane Scale



CRANE SCALES

Standard Features

- Multi-color LED display
- 12 volt rechargeable battery and universal 115/230 VAC, 50/60 Hz battery charger (NA plug standard)
- Hi-torque load train designed for use with powered rotation

Part Number/Price

Part #	Description	Resolution	Est. Weight	Price
214371	10,000 lb (5000 kg) F/A	2.0 lb (1.0 kg)	62 lb	\$14,400.00
214370	30,000 lb (15,000 kg) F/A	10 lb (5.0 kg)	125 lb	\$14,400.00
214369	70,000 lb (35,000 kg) F/A	20 lb (10 kg)	270 lb	\$21,800.00
214477	100,000 lb (50,000 kg) F/A	20 lb (10 kg)	420 lb	Consult
214474	120,000 lb (60,000 kg) F/A	50 lb (20 kg)	550 lb	Consult
214479*	200,000 lb (100,000 kg) F/A	100 lb (50 kg)	1,100 lb	Consult

* 400% Ultimate overload

Options/Accessories

Part #	Description	Est. Weight	Price
144126	Top lifting shackle 9.5 ton for 10,000 lb cap unit	-	Consult
141992	Top lifting shackle Crosby® G2130 17 ton for 30,000 lb cap unit	-	Consult
146335	Top lifting shackle Crosby® G2140 40 ton for 70,000 lb cap unit	-	Consult
146336	Top lifting shackle Crosby® G2140 55 ton for 120,000 lb cap unit	-	Consult
150971	MSI RF modem option kit (used in MSI-4260, MSI-4260M, MSI-9600HT)	3 lb	\$250.00
173014	RF rugged remote control (requires MSI-9600HT equipped with RF modem)	-	\$355.00
153591	MSI-8000HD RF remote display AC powered (no A/D)	180 lb	\$1,541.00
178004	LaserLight2, 4 in (100 mm) six-digit RF scoreboard	21 lb	\$2,535.00
178006	LaserLight2, 6 in (150 mm) six-digit RF scoreboard	37 lb	\$3,005.00
159221	Universal crane scale transport cart	-	\$1,340.00
Consult	AC direct power supply	-	\$560.00
Consult	Anti-heat shield	-	\$1,125.00
Consult	Audible alarm	-	\$420.00
176956	MSI Wi-Fi modem option kit (used in MSI-4260, MSI-4260M, MSI-6360, MSI-9600HT)	-	\$490.00
Accessories			
150367	Battery assembly, 12V rechargeable	7 lb	\$145.00
138006	Universal 115/230 VAC, 50/60 Hz battery charger (NA plug standard)	4 lb	\$345.00
138007	Universal 115/230 VAC, 50/60 Hz battery charger (UK plug standard)	4 lb	\$345.00
138008	Universal 115/230 VAC, 50/60 Hz battery charger (EC plug standard)	4 lb	\$345.00

Options

(Contact MSI for application consultation)

- Top shackle
- Rugged Remote (control for on/off, zero, tare and other functions)
- Anti-heat shielding for high-temperature applications
- Substitute bottom hook with shackle
- Oversized top or shackle
- Oversized bottom hooks
- Universal direct power supply
- Wi-Fi communication is available for specialty applications
- RF modem install for connectivity to MSI-8000, MSI-8000HD RF, MSI-8004HD RF remote display, TranSend™ and LaserLight2 remote display
- Typically 100 to 300 ft, line of sight; for longer range consult factory
- Low headroom top adapter
- Audible alarm
- Custom top and bottom interfaces

Specifications

Accuracy:

10,000 to 120,000 lb: ± (0.1% +1 d) of capacity
200,000 lb: ± (0.2% +1 d) of capacity

Resolution:

3,000 to 5,000 d standard
(Up to 10,000 d available)

Enclosure:

NEMA Type 4, IP66, marine grade 356 alloy anodized cast aluminum

Lifting Eye, Shackle & Hook:

Shackle is optional and Crosby® fixed hook provided as standard

Design Overload:

200% Safe / 500% Ultimate (except where noted)

Functions:

Power: Turns unit on or off
Zero: Zeros applied load up to 100% of capacity
Tare: Tares applied load and displays weight in net
Mode F1: Programmable as test, units, net/gross, total and peak hold

Display:

1.5" (38 mm, 6-digit, programmable LED display, multi-color (red, orange, and green)

Displayable Units:

Pounds or kilograms selectable

Power:

12 Volt rechargeable battery, 115/230 VAC battery charger included

Operating Time:

Up to 30 hours between charging with typical use

Temperature Range:

Operating: 14 °F to 131 °F (-10 °C to 55 °C)

Filtering:

OFF, LO, HI-1 or HI-2 selectable

Radio Link:

802.15.4 at 2.4 GHz

Radio Link Effective Range:

Typically 100 to 300 ft line of sight

Warranty:

One-year limited

MSI-6360 Trans-Weigh

Crane Scale



Approvals



Standard Features

- Top lifting eye or shackle, bottom thrust bearing swivel hook
- 12 volt rechargeable battery and universal 115/230 VAC, 50/60 Hz battery charger (NA plug standard)
- RF modem install for connectivity to MSI-8000, MSI-8000HD RF, MSI-8004HD RF remote display, TranSend™ and LaserLight2 remote display. Typically 100ft – 300ft, line of sight; for longer range consult factory.
- Meets or exceeds OSHA, ANSI, ASME and other safety design standards (5:1 Ultimate Safety Factor)

Part Number/Price

Part #	Description	Resolution	Est. Weight	Price
215829	500 lb (250 kg) F/A	0.2 lb (0.1 kg)	53 lb	\$5,700.00
215830	2,000 lb (1000 kg) F/A	1.0 lb (0.5 kg)	53 lb	\$5,700.00
215831	5,000 lb (2500 kg) F/A	1.0 lb (0.5 kg)	62 lb	\$5,800.00
215832	10,000 lb (5000 kg) F/A	2.0 lb (1.0 kg)	62 lb	\$6,350.00
215833	20,000 lb (10,000 kg) F/A	5.0 lb (2.0 kg)	105 lb	\$7,350.00
215834	30,000 lb (15,000 kg) F/A	10 lb (5.0 kg)	125 lb	\$7,450.00
215835	50,000 lb (25,000 kg) F/A	10 lb (5.0 kg)	235 lb	\$14,850.00
215836	70,000 lb (35,000 kg) F/A	20 lb (10 kg)	270 lb	\$20,775.00
215837	100,000 lb (50,000 kg) F/A	20 lb (10 kg)	420 lb	\$31,500.00

Options

(Contact MSI for application consultation)

- Anti-heat shielding for high-temperature applications
- Rugged Remote (control for on/off, zero, tare, and other functions)
- Substitute bottom swivel hook with shackle
- Oversized top lifting eye or shackle
- Oversized bottom hook
- Low headroom top adapter
- Universal direct power supply; 85 to 265 VAC, 47 to 440 Hz / 130 to 300 VDC
- Wi-Fi communication is available for specialty applications
- Custom top and bottom interfaces
- Crane scale cart Specifications

Accuracy:

± (0.1% +1 d) of capacity

Resolution:

3,000 to 5,000 d standard (Up to 10,000 d available)

Enclosure:

NEMA Type 4, IP66, marine grade 356 alloy anodized cast aluminum

Lifting Eye, Shackle & Hook:

Crosby® or equivalent with 360° thrust-bearing swivel hook

Design Overload:

200% Safe / 500% Ultimate (except where noted)

Functions:

On/Off

Displayable Units:

Pounds or kilograms selectable

Power:

12 Volt rechargeable battery, 115/230 VAC battery charger included

Operating Time:

Up to 40 hours between charging with typical use

Temperature Range:

Operating: -40 °F to 176 °F (-40 °C to 80 °C)
Certified: 14 °F to 104 °F (-10 °C to 40 °C)

Calibration:

Digital via MSI ScaleCore remote device

Radio Link:

802.15.4 at 2.4 GHz

Radio Link Effective Range:

Typically 100 to 300 ft line of sight

Warranty:

One-year limited

Approvals:

NTEP 19-122: 500 to 70,000 lb

MSI-6360 Trans-Weigh

Crane Scale

Options/Accessories

Part #	Description	Est. Weight	Price
144773	MSI RF Module, XBEE-PRO 802.15.4		\$136.50
139381	MSI-8000 Remote Display	5lb	\$1,415.00
173014	RF Rugged remote control	1 lb	\$355.00
153591	MSI-8000HD RF remote display AC powered (no A/D)	4 lb	\$1,541.00
178281	MSI-8004HD AC, red/green 85~264 VAC, 47~440 Hz, 120~370 VDC	-	\$2,120.00
178004	4in LaserLight2 MSI RF	21 lb	\$2,535.00
178006	6in LaserLight2 MSI RF	37 lb	\$3,005.00
159221	Universal crane scale transport cart	180 lb	\$1,340.00
175308	MSI WiFi Modem 802.11 b/g		\$136.50
Consult	AC power supply	-	\$560.00
Consult	Anti-heat shield	-	\$1,125.00
Consult	Audible alarm	-	\$420.00
Consult	4260 retrofit kit	5 lb	Consult
6360 Sub Hook with Shackle			
Consult	500 to 10,000 lb, 6.5 ton shackle	-	Consult
Consult	20,000 to 30,000 lb, 17 ton shackle	-	Consult
Consult	50,000 lb, 25 ton shackle	-	Consult
Consult	70,000 lb, 40 ton shackle	-	Consult
Consult	100,000 lb, 55 ton shackle	-	Consult
6360 Oversize Lifting Eye/Shackle			
Consult	500 to 10,000 lb capacity	-	Consult
Consult	20,000 to 30,000 lb capacity, adapter with 25 ton shackle	-	Consult
Consult	50,000 to 70,000 lb capacity	-	Consult
Consult	100,000 lb capacity	-	Consult
Accessories			
150367	Battery assembly, 12 volt rechargeable	6.6 lb	\$145.00
138006	Universal 115/230 VAC, 50/60 Hz battery charger (NA plug standard)	4 lb	\$345.00
138007	Universal 115/230 VAC, 50/60 Hz battery charger (UK plug standard)	4 lb	\$345.00
138008	Universal 115/230 VAC, 50/60 Hz battery charger (EC plug standard)	4 lb	\$345.00

CRANE SCALES

Crane Scale Cart

Universal Transport and Storage Cart



Standard Features

- Designed to hold MSI-4260, MSI-4260IS, MSI-4260M, MSI-4300, MSI-9600HT, MSI-6360
- Four swivel castors with brake
- Powder coated mild steel

Specifications

Warranty:
One-year limited

Part Number/Price

Part #	Description	Est. Weight	Price
159221	Universal MSI Crane Scale Cart	180 lb	\$1,340.00
Consult	Modified versions of universal MSI Crane Scale Cart	-	Consult

CRANE SCALES

MSI-7300 Dyna-Link 2

Digital Tension Dynamometer



Shown with optional shackles

CRANE SCALES

Part Number/Price

Part #	Description	Resolution	Est. Weight	Price
139162	1,000 lb (500 kg) F/A	0.5 lb (0.2 kg)	8 lb	\$1,610.00
139163	2,500 lb (1,250 kg) F/A	1 lb (0.5 kg)	9 lb	\$1,610.00
139164	5,000 lb (2,500 kg) F/A	2 lb (1.0 kg)	9 lb	\$1,610.00
139165	10,000 lb (5,000 kg) F/A	5 lb (2.0 kg)	11 lb	\$1,730.00
139166	25,000 lb (12,500 kg) F/A	10 lb (5 kg)	19 lb	\$2,310.00
139167	50,000 lb (25,000 kg) F/A	20 lb (10 kg)	29 lb	\$3,000.00
139168*	100,000 lb (50,000 kg) F/A	50 lb (20 kg)	65 lb	\$3,910.00
Optional Configurations (for connectivity to MSI-8000 RF Remote Display) F/A				
139441	1,000 lb (500 kg) RF module	0.5 lb (0.2 kg)	8 lb	\$1,810.00
139442	2,500 lb (1,250 kg) RF module	1 lb (0.5 kg)	9 lb	\$1,810.00
139443	5,000 lb (2,500 kg) RF module	2 lb (1 kg)	9 lb	\$1,810.00
139444	10,000 lb (5,000 kg) RF module	5 lb (2 kg)	11 lb	\$1,930.00
139445	25,000 lb (12,500 kg) RF module	10 lb (5 kg)	19 lb	\$2,500.00
139446	50,000 lb (25,000 kg) RF module	20 lb (10 kg)	29 lb	\$3,190.00
139447*	100,000 lb (50,000 kg) RF module	50 lb (20 kg)	65 lb	\$4,110.00
159168*	120,000 lb (60,000 kg) RF module includes MSI-8000	50 lb (20 kg)	57 lb	Consult
159169*	180,000 lb (90,000 kg) RF module includes MSI-8000	100 lb (50 kg)	74 lb	Consult
159170*	260,000 lb (130,000 kg) RF module includes MSI-8000	100 lb (50 kg)	100 lb	Consult
159171*	380,000 lb (190,000 kg) RF module includes MSI-8000	200 lb (100 kg)	169 lb	Consult
159172**	550,000 lb (275,000 kg) RF module includes MSI-8000	200 lb (100 kg)	336 lb	Consult
MSI-7300 Dyna-Link 2 Wi-Fi				
176813	1,000 lb (500 kg) F/A with Wi-Fi	0.5 lb (0.2 kg)	8 lb	\$1,750.00
176814	2,500 lb (1,250 kg) F/A with Wi-Fi	1 lb (0.5 kg)	9 lb	\$1,840.00
176815	5,000 lb (2,500 kg) F/A with Wi-Fi	2 lb (1.0 kg)	9 lb	\$1,840.00
176816	10,000 lb (5,000 kg) F/A with Wi-Fi	5 lb (2.0 kg)	11 lb	\$1,970.00
176817	25,000 lb (12,500 kg) F/A with Wi-Fi	10 lb (5 kg)	19 lb	\$2,550.00
176818	50,000 lb (25,000 kg) F/A with Wi-Fi	20 lb (10 kg)	29 lb	\$3,340.00
176819	100,000 lb (50,000 kg) F/A with Wi-Fi	50 lb (20 kg)	65 lb	\$4,200.00
176827	120,000 lb (60,000 kg) F/A with Wi-Fi	50 lb (20 kg)	57 lb	Consult
176828	180,000 lb (90,000 kg) F/A with Wi-Fi	100 lb (50 kg)	74 lb	Consult
176829	260,000 lb (130,000 kg) F/A with Wi-Fi	100 lb (50 kg)	100 lb	Consult
176830	380,000 lb (190,000 kg) F/A with Wi-Fi	200 lb (100 kg)	169 lb	Consult
176831	550,000 lb (275,000 kg) F/A with Wi-Fi	200 lb (100 kg)	336 lb	Consult

* 500% Ultimate overload

** 440% Ultimate overload

Standard Features

- LCD display
- Two C-cell alkaline batteries for capacities up to 10,000 lb (5,000 kg)
- Two D-cell alkaline batteries for capacities 25,000 lb (12,500 kg) and above

Options

(Contact MSI for application consultation)

- Crosby® top and bottom shackles
- Portable transport case
- Serial output cable
- Rugged Remote (control for On/Off, Zero, Tare and other functions)
- RF modem install for connectivity to MSI-8000, MSI-8000HD RF, MSI-8004HD RF remote display and Transend™. Typically 100 to 300 ft, line of sight, for longer range consult factory.
- Audible alarm
- Wi-Fi communication is available for specialty applications

Specifications

Accuracy:

- 0.1% FS of rated capacity (up to 100,000 lb)
- 0.5% FS of rated capacity (120,000 and above)

Enclosure:

- NEMA Type 4, IP65, anodized corrosion-resistant finish

Material:

- 2024 aircraft grade aluminum
- Capacities above 100 K have zinc plated enclosures and 4340 load cell bodies

Design Overload:

- 200% Safe/700% Ultimate* (except where noted)

Functions:

- On/Off, Zero, Hi-Speed Peak Hold, Setpoints, Total, Tare, Auto-Off, Motion Filter

Display:

- 5-digit, 1.22" (31 mm) tall, LCD - 50,000 lb & lower
- 6-digit, 1" (25 mm) tall, LCD - 100,000 lb & higher

Displayable Units:

- Pounds, kilograms, kilonewtons, tons, metric tons

LED Annunciators:

- Function 1, Function 2, Setpoint 1, Setpoint 2

LCD Annunciators:

- Net, Center of Zero, Stable, Battery Test, Peak Hold, Total

Power:

- Two each C-cell alkaline batteries for capacities up to 10,000 lb; two each D-cell alkaline batteries for capacities 25,000 to 100,000 lb

Operating Time:

- From 150 to 300 hours in typical use depending on unit capacity and battery configuration.
- Approximately 25 to 30 hours with optional RF modem link installed.

Operating Temperature:

- -4 °F to 140 °F (-20 °C to 60 °C)

Filtering:

- OFF, LO, HI selectable

Data Output:

- Serial RS-232

Warranty:

- Two-year limited

MSI-7300 Dyna-Link 2

Digital Tension Dynamometer

Options/Accessories

Part #	Description	Est. Weight	Price
151357*	Shackle anchor, bolt type 3.25 ton for 500 lb-5,000 lb unit	1.5 lb	Consult
151355*	Shackle anchor, bolt type 6.5 ton for 10,000 lb unit	3 lb	Consult
141992*	Shackle anchor, bolt type 17 ton for 25,000 lb unit	19.5 lb	Consult
151356*	Shackle anchor, bolt type 25 ton for 50,000 lb unit	31.5 lb	Consult
146336*	Shackle anchor, bolt type 55 ton for 100,000 lb unit	51.5 lb	Consult
151359*	Shackle anchor, bolt type 85 ton for 180,000 lb unit	103 lb	Consult
151360*	Shackle anchor, bolt type 120 ton for 260,000 lb unit	112.5 lb	Consult
151361*	Shackle anchor, bolt type 175 ton for 380,000 lb unit	332.5 lb	Consult
151358*	Shackle anchor, bolt type 250 ton for 550,000 lb unit	650lb	Consult
139381	MSI-8000 RF remote display (requires MSI-7300 equipped with optional RF modem)	5 lb	\$1,415.00
153591	MSI-8000HD RF remote display, A/C powered with tilt stand (requires MSI-7300 equipped with optional RF modem)	5 lb	\$1,541.00
165313	Heavy duty Pelican transport case with precision cut. Heavy duty foam for units up to 10,000 lb capacity	10 lb	\$385.00
145076	Transport crate for 25,000 lb and 50,000 lb capacity unit	35 lb	\$460.00
145073	Transport crate for 100,000 lb capacity unit	42 lb	Consult
139470	RS-232 serial cable for MSI-7300	1 lb	\$165.00
178004	LaserLight2, 4 in (100 mm) six-digit RF scoreboard (requires MSI-7300 equipped with optional RF modem)	21 lb	\$2,535.00
178006	LaserLight2, 6 in (150 mm) six-digit RF scoreboard (requires MSI-7300 equipped with optional RF modem)	37 lb	\$3,005.00
149549	Universal 115/ 230 VAC 50/60 Hz (NA plug standard) battery charger for MSI-8000 remote display	3 lb	\$165.00
173014	Rugged remote control (requires MSI-7300 equipped with optional RF modem)	1 lb	\$355.00
150964	RS-232 13 ft (4 m) serial cable for MSI-8000	1 lb	\$200.00
139438	Audible setpoint (not available with MSI-7300RF or MSI-7300WiFi)	-	\$440.00
149550	Battery charger for MSI-8000 EC plug	-	\$160.00

* 2 shackles will be needed per 7300

CRANE SCALES

MSI Dyna-Clamp

Tension Meter

CRANE SCALES



Approvals



Part Number/Price

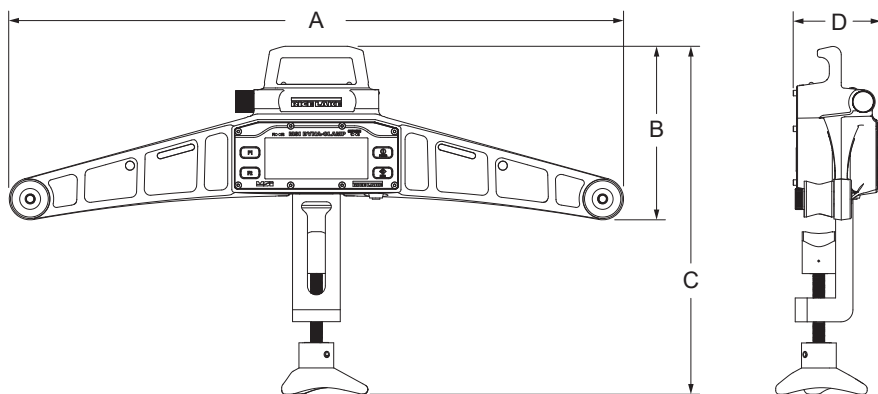
Part #	Description	Tension	Est. Weight	Price
189581	MSI Dyna-Clamp tension meter	12,500 lbf (5,670 kgf / 55.60 kN)	15 lb	\$4,860.00

Options/Accessories

Part #	Description	Price
198418	Heavy-duty carrying case	\$640.00

Dimensions

MSI Dyna-Clamp			
A	25.70 in (652.80 mm)	C	13.75 in-15.50 in (349.25 mm-393.70 mm)
B	7.30 in (185.50 mm)	D	3.70 in (94 mm)



Standard Features

- Dual line LCD display
- Two user-programmable function keys
- IP65 anodized aluminum frame
- RS-232 port
- Up to 8 factory calibrations included at no additional cost

Options

(Contact MSI for application consultation)

- Heavy-duty carrying case

Specifications

Power:

Battery operated two AA cells 1.5 V alkaline batteries (can be replaced with rechargeable NiMH cells)

Max Tension:

12,500 lbf (5,670 kgf/55.60 kN)

Operating Time:

Alkaline AA-cells: 24 hours

Wire Rope:

Diameter 3/16 in (5 mm) to 1 in (25 mm)

Accuracy:

±3% of capacity

Units:

lbf, kgf, kN

Resolution:

Standard: 2,500 divisions

Display:

Primary display (bottom) six, 0.7 in (18 mm) numeric digits
Secondary display (top) eight, 0.5 in (13 mm) numeric digits

Function Keys:

Two programmable keys (user-defined) – F1, F2 (test, unit, print, scroll, actfun)
Two permanent keys – power, zero

Setpoints:

Two dedicated setpoints for minimum and maximum allowable wire rope tension (LEDs for measurements outside of allowable range)

Auto-Off Mode:

Prolongs battery life by turning power OFF after 15, 30, 45 or 60 minutes of no activity (user determined)

Enclosure:

IP65 powder-coated aluminum frame

Calibration:

Up to eight factory programmed wire rope calibrations

Operating Temperature:

-4 °F to 122 °F (-20 °C to 50 °C)

Operator Use:

Outdoor

Storage:

Indoor

Warranty:

Two-year limited

Approvals:

CE Marked
UKCA



Standard Features

- A durable solution for measuring wire rope tension and preventing overloads for cranes and hoists. Available in two envelopes for accommodating the most common wire ropes. Weight-based setpoints can provide the operator alerts and safety shut-offs based on unsafe load conditions.

Options

(Contact MSI for application consultation)

- Custom sizes available on request
- Pair with an SCT transmitter for basic safety functions

Specifications

System Accuracy of Calibrated Capacity:
3 to 5%

Material:
4340 steel, zinc plated

Output Resistance:
350 ohm

IP Rating:
IP68

Cable Color Code:
Red +Excitation
Black -Excitation
Green +Signal
White -Signal

Cable Length:
20 ft integral cable with blunt end termination

Part Number/Price

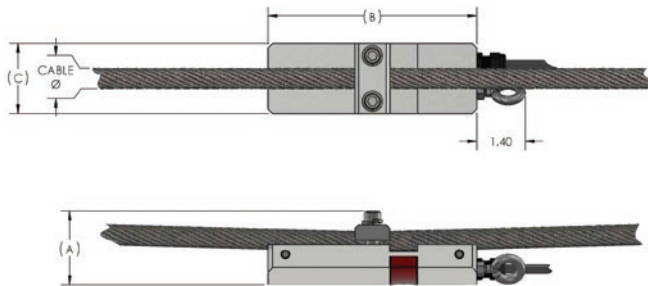
Part #	Description	Price
179080	Load cell assembly Clamp-On for 3/8 to 1/2 in wire rope	\$750.00
179082	Load cell assembly Clamp-On for 9/16 to 3/4 in wire rope	\$890.00
188816	Kit with SCT-2200 for 3/8 to 1/2 in wire rope	\$1,330.00
188817	Kit with SCT-2200 for 9/16 to 3/4 in wire rope	\$1,470.00

Larger diameter clamp ons available - call for pricing

Dimensions

Cable Range	P/N	A	B	C
3/8 - 1/2	179080	Cable + 1.70	6.00	2.00
9/16-3/4	179082	Cable + 1.67	6.00	2.00

*8mm cable can be used with PN 179080



Optional SCT-2200 transmitter



Standard Features

- Designed and manufactured to each integrated solution. Machined from 17-4 stainless steel for safety, strength and corrosion resistance.

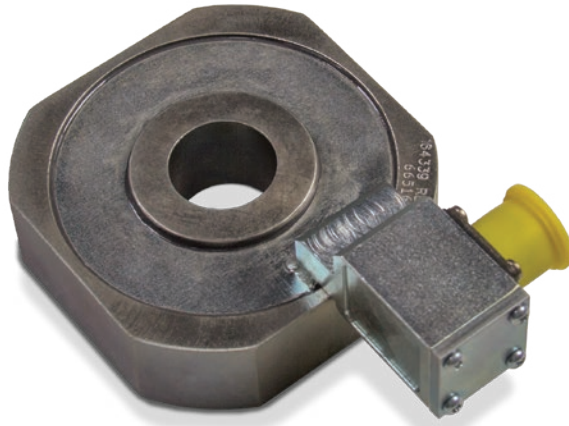
(Contact MSI for application consultation)

For most overhead weighing applications, traditional scales are an ideal solution. However, applications with limited to no headroom require specialty equipment beyond even reduced-height or low-profile crane scales.

One such solution is an MSI load pin sensor. A load pin sensor is a type of load cell that directly replaces clevis, pivot, normal shaft or equalizer pins. Load pin sensors are designed to be permanently installed, so they can continuously monitor vertical or horizontal tension. An integrated load pin provides load monitoring and overload protection without impacting headroom to promote safety and to prevent costly equipment damage.

Rice Lake's industry leading engineers design and manufacture custom load pin sensors for any application. Every load pin is constructed from stainless steel for safety, strength (minimum 5:1) and corrosion resistance.

To receive a quote for a load pin sensor, complete the load pin questionnaire on page 213 or online at www.ricelake.com/questionnaires. For further assistance, contact an MSI overhead weighing specialist.



Standard Features

- Designed to be placed above the trunnion of a load block, this integrated low-profile load cell eliminates headroom loss
- Off-axis compensation

(Contact MSI for application consultation)

Specifications

Accuracy (Static Load):

0.5 to 1% system accuracy of rated capacity

Material:

4340 alloy steel, zinc plated

IP Rating:

IP67

Resistance:

700 ohm

Part Number/Price

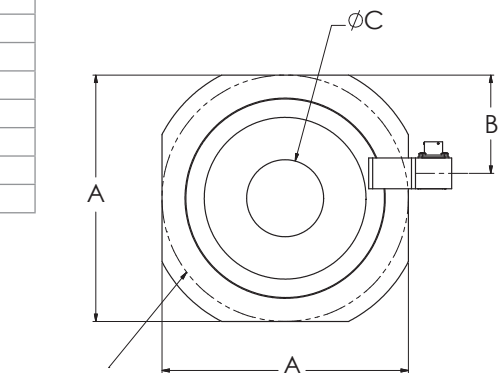
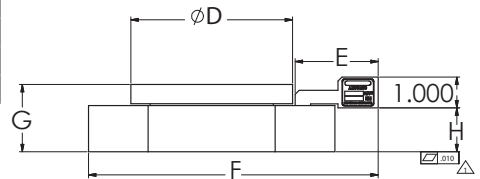
Part #	Description	Est. Weight	Price
160651	10,000 lb/5,000 kg capacity	5 lb	Consult
163595	20,000 lb/10,000 kg capacity	10 lb	Consult
163596	40,000 lb/20,000 kg capacity	20 lb	Consult
163829	60,000 lb/30,000 kg capacity	30 lb	Consult
163597	80,000 lb/40,000 kg capacity	34 lb	Consult
163598	100,000 lb/50,000 kg capacity	38 lb	Consult
159550	120,000 lb/60,000 kg capacity	60 lb	Consult
163599	160,000 lb/80,000 kg capacity	105 lb	Consult
163600	200,000 lb/100,000 kg capacity	215 lb	Consult

Options/Accessories

Part #	Description	Price
165978	Load cell to MSI-7001 interface cable, 6.5 ft	\$330.00
165979	Load cell to MSI-7001 interface cable, 10 ft	\$350.00
165980	Load cell to MSI-7001 interface cable, 16 ft	\$380.00
165989	Load cell to MSI-7001 interface cable, 20 ft	\$410.00
165990	Load cell to MSI-7001 interface cable, 25 ft	\$440.00
165991	Load cell to MSI-7001 interface cable, 32 ft	\$510.00

Dimensions

Part #	Capacity	A	B	C (+0.005-0.000)	D	E	F	G	H	Required Hook Shank Diameter (+0.000,-0.005)
160651	10,000 lb	3.500	1.350	1.005	2.450	1.880	4.905	1.500	1.000	1.000
163595	20,000 lb	6.000	2.500	1.505	3.500	2.443	7.405	1.750	1.250	1.500
163596	40,000 lb	7.500	3.150	2.005	5.000	2.580	8.905	2.000	1.375	2.000
163829	60,000 lb	8.000	3.190	2.505	5.250	2.695	9.405	2.188	1.500	2.500
163597	80,000 lb	8.500	3.650	3.505	5.750	2.680	9.905	2.313	1.500	3.500
163598	100,000 lb	9.125	3.873	4.005	7.000	2.382	10.530	2.668	1.875	4.000
159550	120,000 lb	9.125	3.873	4.005	7.000	2.382	10.530	2.813	2.000	4.000
163599	160,000 lb	16.000	7.030	6.005	14.500	2.955	17.405	4.625	2.500	6.000
163600	200,000 lb	16.000	7.030	6.005	14.500	2.955	17.405	5.125	3.000	6.000



SHOWN AS REFERENCE FOR ROUND LOAD CELLS

MSI Tension Link

Load Cell

CRANE SCALES



Standard Features

- Integrates between a crane block and lifting equipment to provide force measurement for lifted items. This ideal integration for cranes features a 7:1 safety factor for compliance with industrial and military safety requirements.

Options

(Contact MSI for application consultation)

- Crosby® top and bottom shackles

Specifications

Input Resistance:
1,500 ohm

Output Resistance:
2,000 ohm

Full Scale Output:
0.8 mV/V

Connector Pin Out:
A: EX +
B: Sig +
C: Sig -
D: EX -

Accuracy:
0.1% sensor accuracy

Material:
4340 steel

Part Number/Price

Part #	Description	Price
181907	2K 7200 style load cell only	Consult
181908	5K 7200 style load cell only	Consult
181909	10K 7200 style load cell only	Consult
178093	25K 7200 style load cell only	Consult
178094	50K 7200 style load cell only	Consult
181910	100K 7200 style load cell only	Consult

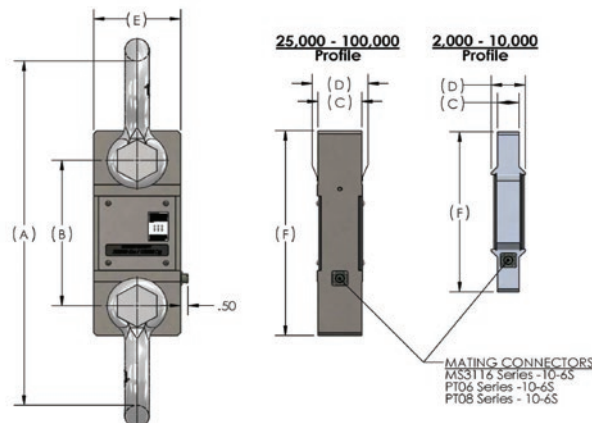
Contact factory for higher capacities

Options/Accessories

Part #	Description	Price
165978	Load cell to MSI-7001 interface cable, 6.5 ft	\$330.00
165979	Load cell to MSI-7001 interface cable, 10 ft	\$350.00
165990	Load cell to MSI-7001 interface cable, 25 ft	\$440.00
134505	Load cell mating cable to bare wires, 10 ft	\$185.00

Dimensions

Capacity (lbs)	P/N	Load Cell Material	(A) Headroom Loss	(B) C-C Length	(C) Lug Thk	(D) Body Thk	(E) Body Width	(F) Body Length	Lug Hole	Crosby Shackle
2,000	181907	Aluminum	13.50 in	8.00 in	0.99 in	2.13 in	4.50 in	9.75 in	0.78 in	3-1/4 T 151357
5,000	181908	Aluminum	13.50 in	8.00 in	0.99 in	2.13 in	4.50 in	9.75 in	0.78 in	3-1/7 T 151357
10,000	181909	Aluminum	16.13 in	8.50 in	1.35 in	2.13 in	5.37 in	10.75 in	1.05 in	6-1/2 T 151355
25,000	178093	Steel	22.39 in	9.26 in	2.24 in	2.24 in	4.80 in	12.76 in	1.67 in	17 T 141992
50,000	178094	Steel	25.74 in	9.76 in	2.74 in	2.81 in	5.43 in	13.76 in	2.05 in	25 T 151356
100,000	181910	Steel	28.49 in	10.74 in	3.09 in	3.09 in	6.86 in	15.74 in	2.30 in	55 T 146336

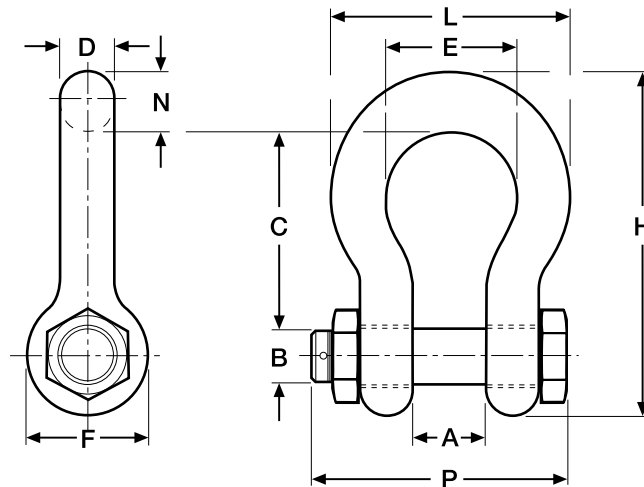


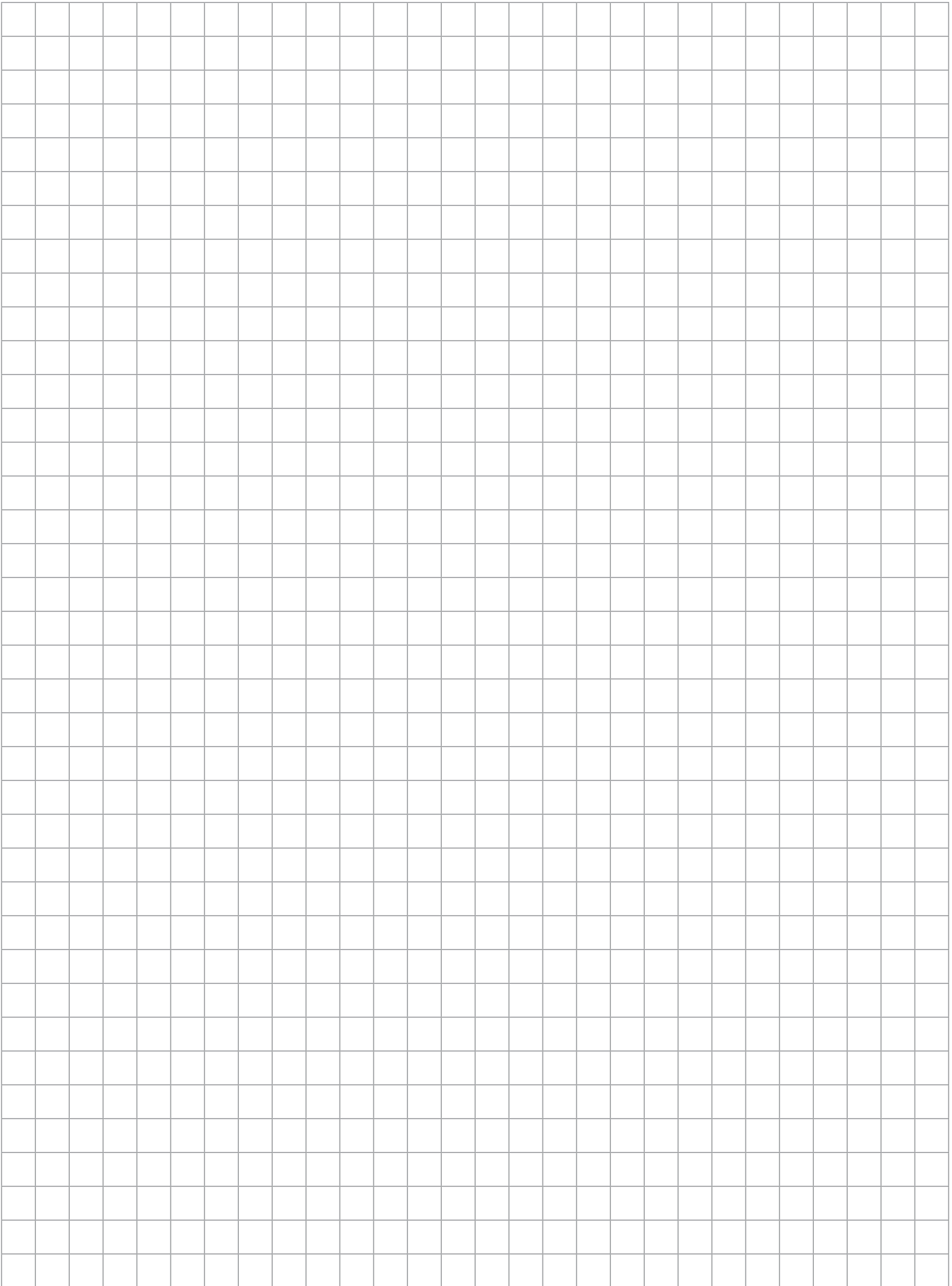
Shackle Dimensions

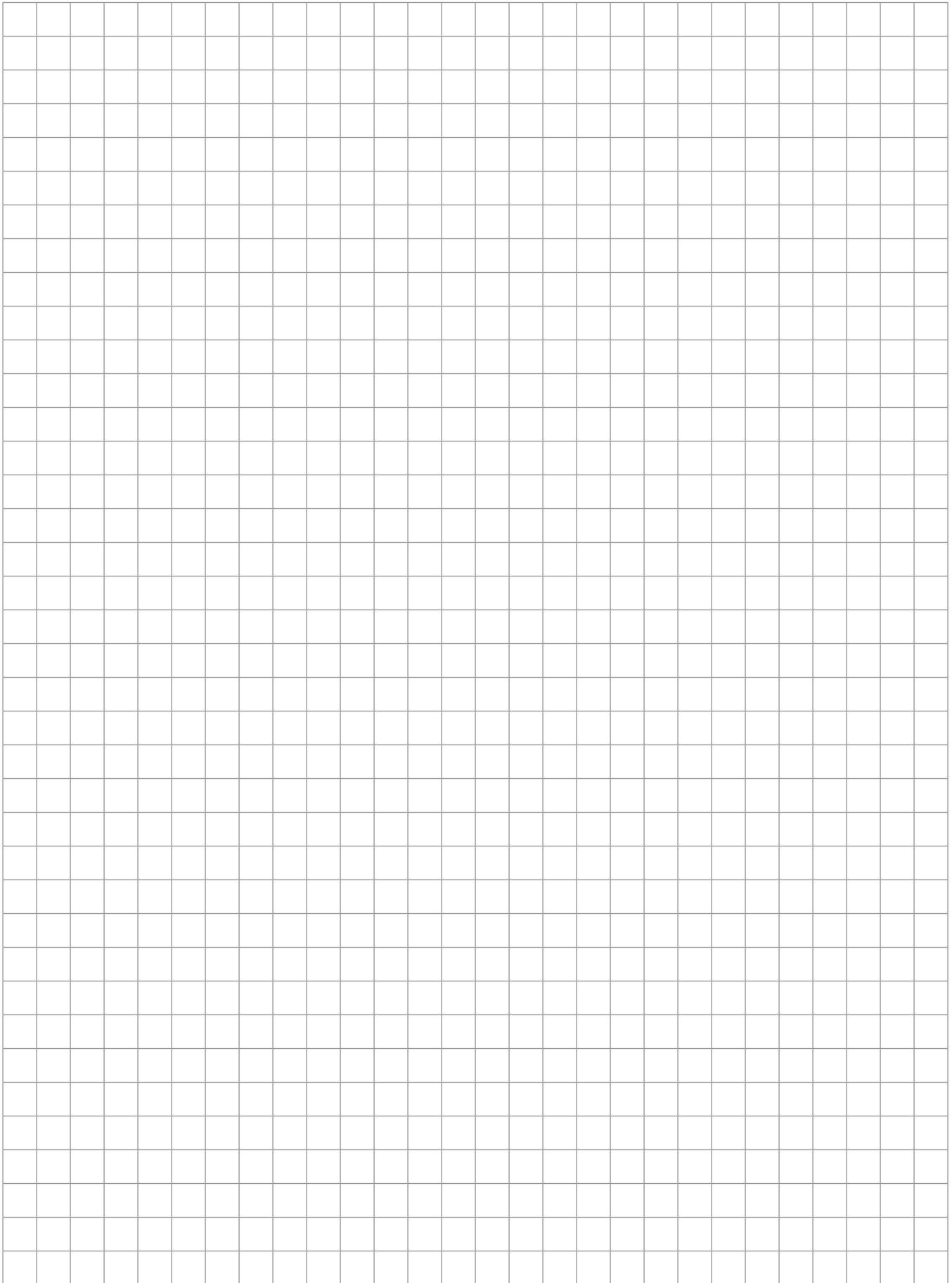
Part Number/Price

Part #	W.L.L. Tons	Size	A	B	C	D	E	F	H	L	N	P	Weight	Price
151357	3 1/4	0.63 in	1.06 in	.75 in	2.38 in	0.63 in	1.69 in	1.56 in	4.22 in	2.94 in	0.69 in	N/A	1.58 lb	Consult
151355	6 1/2	0.88 in	1.44 in	1.00 in	3.31 in	0.88 in	2.28 in	2.13 in	5.75 in	4.03 in	0.97 in	5.00 in	3.95 lb	Consult
141992	17	1.50 in	2.38 in	1.63 in	5.75 in	1.50 in	3.88 in	3.63 in	9.88 in	6.88 in	1.62 in	8.25 in	19.50 lb	Consult
151356	25	1.75 in	2.88 in	2.00 in	7.00 in	1.75 in	5.00 in	4.32 in	11.88 in	8.50 in	2.12 in	9.59 in	31.30 lb	Consult
146334	30	1.50 in	2.38 in	1.63 in	5.75 in	1.50 in	3.88 in	3.63 in	9.88 in	6.88 in	1.62 in	8.25 in	20.80 lb	Consult
146335	40	1.75 in	2.88 in	2.00 in	7.00 in	1.75 in	5.00 in	4.32 in	11.88 in	8.50 in	2.12 in	9.59 in	33.91 lb	Consult
146336	55	2.00 in	3.25 in	2.25 in	7.75 in	2.00 in	5.75 in	5.00 in	13.38 in	9.75 in	2.00 in	11.00 in	51.75 lb	Consult
151359	85	2.5 in	4.12 in	2.75 in	10.50 in	2.72 in	7.25 in	5.69 in	17.84 in	12.87 in	3.12 in	13.58 in	96.00 lb	Consult
151360	120	3.00 in	5.00 in	3.25 in	13.00 in	3.00 in	7.88 in	6.50 in	21.50 in	14.50 in	3.63 in	16.50 in	178.00 lb	Consult
83455	120	3 in	5.00 in	3.25 in	13.00 in	3.11 in	7.88 in	6.50 in	21.50 in	14.36 in	3.63 in	15.13 in	178.00 lb	Consult
151361	175	4.00 in	5.50 in	4.25 in	14.50 in	4.00 in	10.00 in	9.00 in	25.69 in	18.38 in	4.56 in	19.75 in	338.00 lb	Consult
151358	250	4 in	8.50 in	5.00 in	20.00 in	4.50 in	13.00 in	12.00 in	35.00 in	24.50 in	6.50 in	22.68 in	600.00 lb	Consult
Oversized Shackles														
148497	40	1.75 in	2.88 in	2.00 in	10.00 in	2.25 in	6.00 in	4.32 in	15.35 in	10.50 in	2.25 in	9.00 in	45.00 lb	Consult
148393	40	2.25 in	2.88 in	2.00 in	12.50 in	2.25 in	8.00 in	4.32 in	17.85 in	12.50 in	2.25 in	10.00 in	90.00 lb	Consult
148394	50	2.00 in	3.25 in	2.25 in	12.25 in	2.50 in	8.00 in	5.00 in	18.50 in	13.00 in	2.50 in	11.00 in	72.00 lb	Consult
Shims														
146534	(For use with 50,000 ton/70,000 ton systems)													Consult

CRANE SCALES







CRANE SCALES

CRANE SCALES

