

SINGLE POINT
RLPC6

Stainless Steel, Hermetically Sealed, NTEP Certified 1:5,000 Class III Single Cell, IP69K



Picture is a representation of actual product.

Approvals

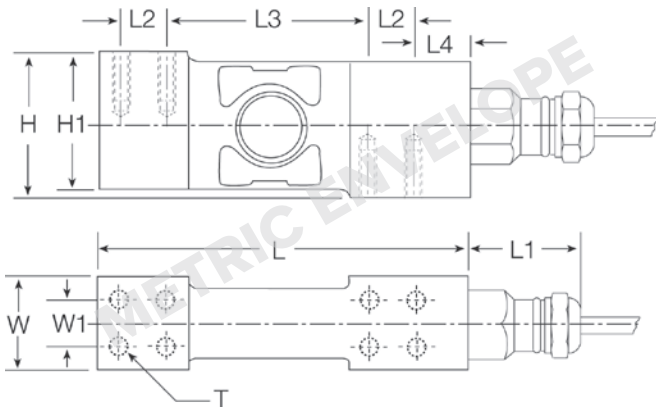


Order Information

Load Rating	Part #	Est. Weight	Price
10 kg	87027	3 lb	Consult
20 kg	87028	3 lb	Consult
50 kg	87029	3 lb	Consult
100 kg	87030	3 lb	Consult
200 kg	87031	3 lb	Consult

Dimensions

Rated Capacity	H	H1	L	L1	L2	L3	L4	W	W1	T
kg/mm										
10 to 200	48.0	45.5	123.0	41.0	15.2	67.6	17.8	30.1	15.2	8 x M6/15 DP



Interchangeable Products

FLINTEC

PC6 page 232

Specifications

Full Scale Output:

2.0 mV/V

Output Resistance:

960 (± 50) ohm, nominal

Input Resistance:

1,100 (± 50) ohm

Material/Finish:

Stainless steel

Temperature:

Compensated range

14 °F to 104 °F (-10 °C to 40 °C)

Operating range

0 °F to 150 °F (-18 °C to 65 °C)

Seal Type:

Hermetically sealed, IP69K

Safe Overload:

200% full scale

Safe Sideload:

100% full scale

Rated Excitation:

5 to 10 VDC

Combined Error:

0.02% full scale

Insulation Resistance:

5,000 megohm

Cable Length:

10 ft

Cable Diameter:

0.196 in

Polyurethane jacket

Cable Color Code:

Green +Excitation

Black -Excitation

White +Signal

Red -Signal

Yellow Shield

Max Deflection:

0.006 to 0.010 in

Max Platform Size:

24 × 24 in

Warranty:

Two-year limited

Approvals:

FM

NTEP 06-011

RICE LAKE
LOAD CELLS