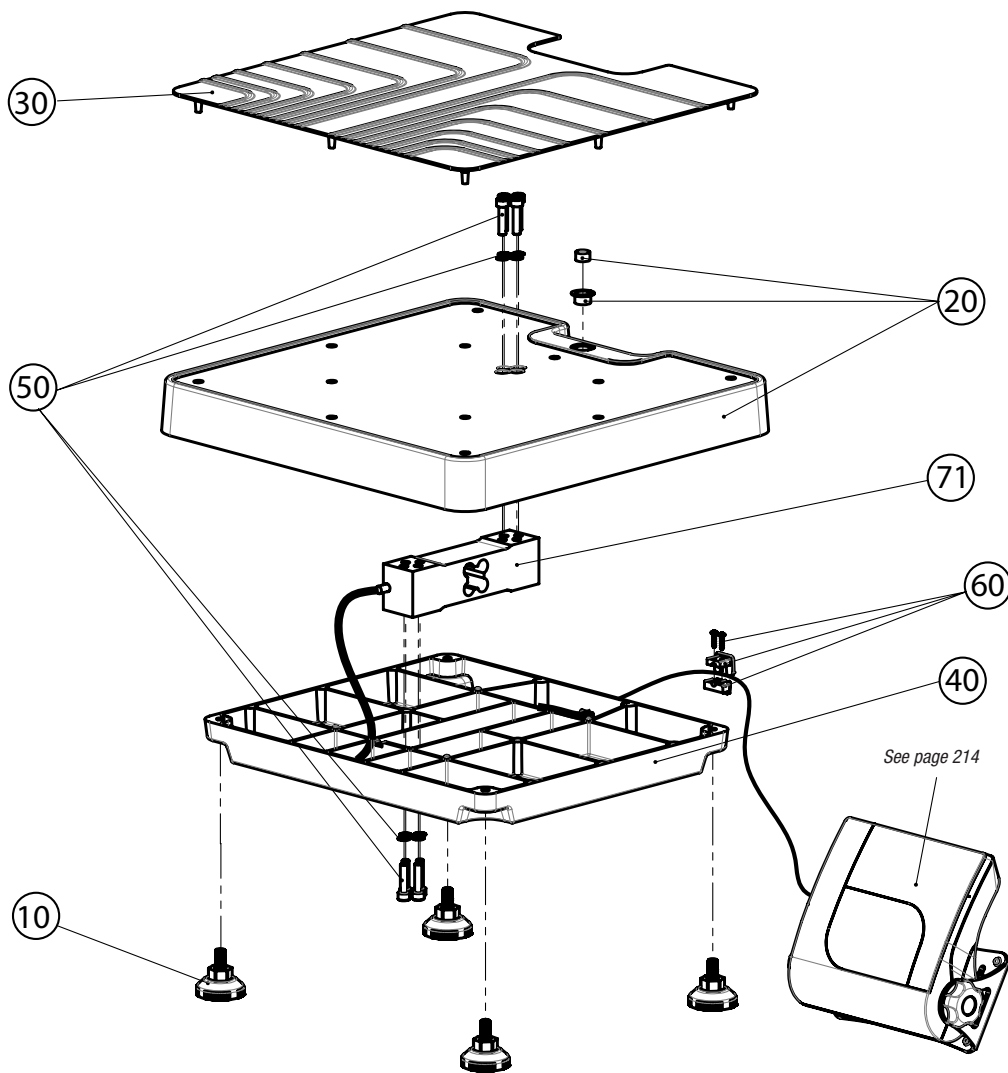
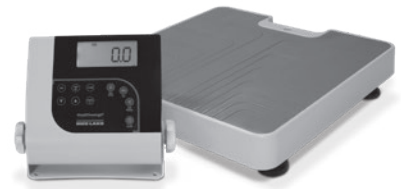


Part Number/Price

Ref#	Part#	Description	Price
10	164299	Feet (4)	Consult
20	164320	Platform without mat	Consult
30	164301	Mat	Consult
40	164321	Base	Consult
50	164304	Hardware, kit for load cell	Consult
60	164322	Cable clamp	Consult
71	164323	Load cell	Consult



Medical Scales