

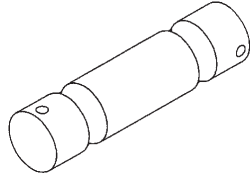
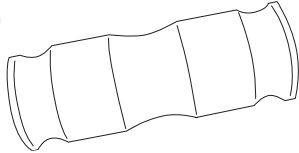
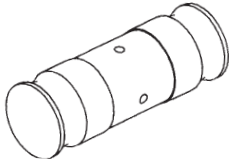
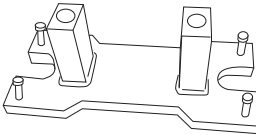
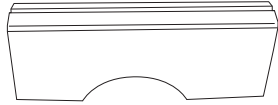
# RICE LAKE/ POWELL

RICE LAKE/POWELL

# Individual Powell Scale Parts

(For scales built in Jasper, AL facility)

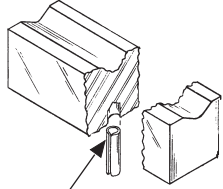
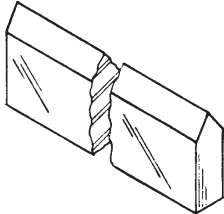
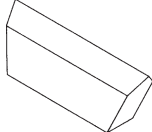
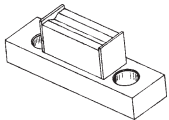
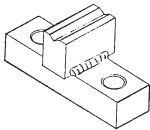
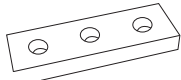
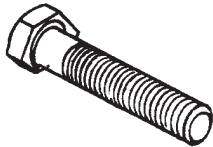
32.5 ton/sectional capacity, unless otherwise indicated

RL PN	DESCRIPTION	SUGGESTED LIST	
P705	Equiv. Powell no. 3104 Size: 2 in dia x 8 3/8 in Trunnion Mechanical and electronic	\$178.00	
P706	Equiv. Powell no. 3303 Size: 2 in dia x 5 5/8 in Upper load pin For 60k electronic mount	\$147.00	
P707	Equiv. Powell no. 3103 Size: 2 in dia x 5 5/8 in Upper load pin Mechanical scales	\$152.00	
90259	Equiv Powell no. Size: 8 in x 18 in base x 6 1/4 in high load cell stand 60k for ET models	\$425.00	
90258	Equiv. Powell no. Size: 8 in x 18 in base 6 1/2 in high load cell stand 75k for ET models	\$425.00	
71043	Equiv. Powell no. 3102 Size: 2 in x 2 in x 5 in Block, saddle Fits P707 pin Use bearing H624 Roll pin PN 71043, 3/16 in dia x 1 in	\$124.00	

# Individual Powell Scale Parts

(For scales built in Jasper, AL facility)

32.5 ton/sectional capacity, unless otherwise indicated

RL PN	DESCRIPTION	SUGGESTED LIST	
H624	Equiv. Powell no. 3106 Size: 1 in x 1 in x 6 1/2 in Bearings	\$63.00	 Part No. 15280
H691	Equiv. Powell no. 3108 Size: 1 in x 1 in x 4 in Bearings	\$53.00	
P716P	Equiv. Powell no. 3105 Size: 1/2 in x 1 1/8 in x 6 1/2 in	\$51.00	
H655P	Equiv. Powell no. 3107 Size: 1/2 in x 1 1/8 in x 4 in Pivots	\$48.00	
10797	Equiv. Powell no. 3109 Size: 1/2 in x 1 1/8 in x 2 5/8 in Pivot, tip	\$44.00	
P701	Equiv. Powell no. 3110 Size: 2 in x 1 7/8 in x 6 in Lower tip connection Parallel strap Main lever and translever shackles	\$75.00	
P702	Equiv. Powell no. 3111 Size: 2 3/4 in x 1 3/4 in x 6 in Upper tip connection Horizontal strap Main lever shackles	\$72.00	
90163	Equiv. Powell no. 3119 Size: 2 in x 3/4 in x 6 in Three hole strap For translever shackle	\$42.00	
90846	Size: 5/8 in x 8 in Bolt for translever shackle	\$15.00	 Use Nut PN 90873
90836	Size: 5/8 in x 13 in Bolt for main lever shackle, pv scales	\$17.00	
90815	Size: 5/8 in x 16 in Bolt for main lever shackle, pit scale	\$18.00	

**RICE LAKE/POWELL**

# Individual Powell Scale Parts

(For scales built in Jasper, AL facility)

32.5 ton/sectional capacity, unless otherwise indicated

RL PN	DESCRIPTION	SUGGESTED LIST	
90760	Equiv. Powell no. 3118 Size: 1 3/8 in x 3 in x 18 in Nose iron	\$255.00	
90176	Equiv. Powell no. 3213 Size: 6 in x 14 in base x 12 3/4 in Main lever stand, pit scales Girder chair Roll pin pn 15288	\$292.00	
90166	Equiv. Powell no. 3212 Size: 8 in x 14 in base x 20 1/4 in H Backbone stand, pit scale	\$290.00	
90167	Equiv. Powell no. 3114 Size: 6 in x 14 in base 12 3/4 in H Stand main lever Main lever stand, pit scale	\$292.00	
90161	Equiv. Powell no. 3112 Size: 2 in x 5 in x 9 1/2 in Stand Back bone stand, portable	\$245.00	
90162	Equiv. Powell no. 3113 Size: 2 in x 5 in x 8 1/2 in Stand Main lever stand, portable	\$245.00	
69784	Equiv. Powell no. 3101 Size: 3/4 in x 5 in x 12 3/8 in 2 3/8 in x 8 1/8 in id Link, all Mechanical	\$116.00	
70596	Equiv. Powell no. 3301 Size: 3/4 in x 5 in x 10 1/2 in outer dimensions 2 1/4 in x 6 3/4 in id Electronic truck scales	\$112.00	

# RICE LAKE/ POWELL KITS

RICE LAKE/POWELL

# Rice Lake ATV-M Powell Portable MC Parts Kits

## Kit No. P-1003K 2-Section

32.5 Ton Sectional  
Portable Scale Length 10 ft, 20 ft, 25 ft  
Pivot and Bearing Kit

QTY	RL PN	DESCRIPTION
10.....	P716P.....	Main pivot
8.....	H624.....	Main bearing
2.....	H655P.....	Backbone pivot
2.....	H691.....	Backbone bearing
3.....	10797.....	Nose iron pivot
3.....	P701.....	Parallel strap with bearing
2.....	P702.....	Horizontal strap with bearing
10.....	15280.....	Alignment pin for bearing

**\$1,682.00** Suggested list/50 lb shipping weight

## Kit No. 89051 2-Section

Portable Scale Length 30 ft and 35 ft

QTY	RL PN	DESCRIPTION
12.....	P716P.....	Main pivot
10.....	H624.....	Main bearing
0.....	H655P.....	Backbone pivot
0.....	H691.....	Backbone bearing
3.....	10797.....	Nose iron pivot
3.....	P701.....	Parallel strap with bearing
2.....	P702.....	Horizontal strap with bearing
10.....	15280.....	Alignment pin for bearing

**\$1,705.00** Suggested list/55 lb shipping weight

## Kit No. P-1004K 2-Section

Suspension Kit for P-1003K and 89051

QTY	RL PN	DESCRIPTION
8.....	69784.....	Link
4.....	71043.....	Upper block without bearing
4.....	P707.....	Upper bearing pin
4.....	P705.....	Lower trunnion pin
4.....	15288.....	Pin 3/8 in x 1 1/2 in

**\$2,747.00** Suggested list/130 lb shipping weight

# Rice Lake ATV-M/PT-M Powell Portable MC/MP Scale Parts

## Kit No. 71020 3-Section

32.5 Ton Sectional  
Portable Scale Lengths 35 ft and 40 ft  
Pivot and Bearing Kit

QTY	RL PN	DESCRIPTION
16.....	P716P.....	Main pivot
13.....	H624.....	Main bearing
2.....	H655P.....	Backbone pivot
2.....	H691.....	Backbone bearing
4.....	10797.....	Nose iron pivot
4.....	P701.....	Parallel strap with bearing
3.....	P702.....	Horizontal strap with bearing
15.....	15280.....	Alignment pin for bearing

**\$2,475.00** Suggested list/75 lb shipping weight

## Kit No. 107658 3-Section

Pit Scale Length 50 ft

QTY	RL PN	DESCRIPTION
17.....	P716P.....	Main pivot
14.....	H624.....	Main bearing
0.....	H655P.....	Backbone pivot
0.....	H691.....	Backbone bearing
4.....	10797.....	Nose iron pivot
4.....	P701.....	Parallel strap with bearing
3.....	P702.....	Horizontal strap with bearing
14.....	15280.....	Alignment pin for bearing

**\$2,386.00** Suggested list/75 lb shipping weight

## Kit No. 107659 3-Section

Pit Scale Length 60 ft

QTY	RL PN	DESCRIPTION
18.....	P716p.....	Main pivot
15.....	H624.....	Main bearing
0.....	H655p.....	Backbone pivot
0.....	H691.....	Backbone bearing
4.....	10797.....	Nose iron pivot
4.....	P701.....	Parallel strap with bearing
3.....	P702.....	Horizontal strap with bearing
15.....	15280.....	Alignment pin for bearing

**\$2,752.00** Suggested list/80 lb shipping weight

## Kit No. 71063 3-Section

Suspension Kit for 71020, 107658 and 107659

QTY	RL PN	DESCRIPTION
12.....	69784.....	Link
6.....	71043.....	Upper block without bearing
6.....	P707.....	Upper bearing pin
6.....	P705.....	Lower trunnion pin
6.....	15288.....	Roll pin

**\$4,121.00** Suggested list/195 lb shipping weight

**RICE LAKE/POWELL**

# Rice Lake ATV-M Powell Portable MC Scale Parts

## Kit No. 107661 4-Section

32.5 Ton Sectional  
Portable Scale Length 50 ft  
Pivot and Bearing Kit

QTY	RL PN	DESCRIPTION
20.....	P716P.....	Main pivot
16.....	H624.....	Main bearing
4.....	H655P.....	Backbone pivot
4.....	H691.....	Backbone bearing
5.....	10797.....	Nose iron pivot
5.....	P701.....	Parallel strap with bearing
4.....	P702.....	Horizontal strap with bearing
20.....	15280.....	Alignment pin for bearing

**\$3,245.00** Suggested list/96 lb shipping weight

## Kit No. P-1001K 4-Section

Portable Scale Length 60 ft and 70 ft

QTY	RL PN	DESCRIPTION
24.....	P716P.....	Main pivot
20.....	H624.....	Main bearing
0.....	H655P.....	Backbone pivot
0.....	H691.....	Backbone bearing
5.....	10797.....	Nose iron pivot
5.....	P701.....	Parallel strap with bearing
4.....	P702.....	Horizontal strap with bearing
20.....	15280.....	Alignment pin for bearing

**\$3,245.00** Suggested list/100 lb shipping weight

## Kit No. P-1002K 4-Section

Suspension Kit for 107661 and P1001K

QTY	RL PN	DESCRIPTION
16.....	69784.....	Link
8.....	71043.....	Upper block without bearing
8.....	P707.....	Upper bearing pin
8.....	P705.....	Lower trunnion pin
8.....	15288.....	Roll pin

**\$5,494.00** Suggested list/255 lb shipping weight



# Rice Lake PT-M Powell MP Pit Scale Parts

## Kit No. 107660 4-Section

32.5 Ton Sectional  
Pit Scale Lengths 50 ft, 60 ft and 70 ft  
Pivot and Bearing Kit

QTY	RL PN	DESCRIPTION
23.....	P716P.....	Main pivot
19.....	H624.....	Main bearing
0.....	H655P.....	Backbone pivot
0.....	H691.....	Backbone bearing
5.....	10797.....	Nose iron pivot
5.....	P701.....	Parallel strap with bearing
4.....	P702.....	Horizontal strap with bearing
19.....	15280.....	Alignment pin for bearing

**\$3,179.00** Suggested list/100 lb shipping weight

## Kit No. P-1002K 4-Section

Suspension Kit for 107660

QTY	RL PN	DESCRIPTION
16.....	69784.....	Link
8.....	71043.....	Upper block without bearing
8.....	P707.....	Upper bearing pin
8.....	P705.....	Lower trunnion pin
8.....	15288.....	Roll pin

**\$5,494.00** Suggested list/255 lb shipping weight

**RICE LAKE/POWELL**

# Rice Lake ATV-M Powell Portable MC Scale Parts

## Kit No. 107664 5-Section

32.5 Ton Sectional  
Portable Scale Length 70 ft  
Pivot and Bearing Kit

QTY	RL PN	DESCRIPTION
28.....	P716P.....	Main pivot
23.....	H624.....	Main bearing
2.....	H655P.....	Backbone pivot
2.....	H691.....	Backbone bearing
6.....	10797.....	Nose iron pivot
6.....	P701.....	Parallel strap with bearing
5.....	P702.....	Horizontal strap with bearing
20.....	15280.....	Alignment pin for bearing

**\$4,062.00** Suggested list/125 lb shipping weight

# Rice Lake PT-M Powell MP Pit Scale Parts

## Kit No. 107662 5-Section

32.5 Ton Sectional  
Pit Scale Length 70 ft and 80 ft  
Pivot and Bearing Kit

QTY	RL PN	DESCRIPTION
29.....	P716P.....	Main pivot
24.....	H624.....	Main bearing
0.....	H655P.....	Backbone pivot
0.....	H691.....	Backbone bearing
6.....	10797.....	Nose iron pivot
6.....	P701.....	Parallel strap with bearing
5.....	P702.....	Horizontal strap with bearing
24.....	15280.....	Alignment pin for bearing

**\$3,973.00** Suggested list/125 lb shipping weight

## Kit No. 107663 5-Section

Suspension Kit for 107662 and 107664

QTY	RL PN	DESCRIPTION
20.....	69784.....	Link
10.....	71043.....	Upper block without bearing
10.....	P707.....	Upper bearing pin
10.....	P705.....	Lower trunnion pin
10.....	15288.....	Pin, dowel 3/8 in x 1 1/2 in

**\$6,973.00** Suggested list/255 lb shipping weight

# Rice Lake ATV-M Powell Portable MC Pit Scale Parts

## Kit No. 71021 6-Section

32.5 Ton Sectional  
Pit Scale Lengths 70 ft and 80 ft  
Pivot and Bearing Kit

QTY	RL PN	DESCRIPTION
32.....	P716P.....	Main pivot
26.....	H624.....	Main bearing
4.....	H655P.....	Backbone pivot
4.....	H691.....	Backbone bearing
7.....	10797.....	Nose iron pivot
7.....	P701.....	Parallel strap with bearing
6.....	P702.....	Horizontal strap with bearing
30.....	15280.....	Alignment pin for bearing
<b>\$4,903.00</b> Suggested list/145 lb shipping weight		

## Kit No. 71062 6-Section

Suspension Kit for 71021

QTY	RL PN	DESCRIPTION
24.....	69784.....	Link
12.....	71043.....	Upper block without bearing
12.....	P707.....	Upper bearing pin
12.....	P705.....	Lower trunnion pin
12.....	15288.....	Pin, dowell 3/8 in x 1 1/2 in
<b>\$8,241.00</b> Suggested list/385 lb shipping weight		

**RICE LAKE/POWELL**

