



SD-1150-WP

DIALYSIS WHEELCHAIR SCALE

The Summit™ SD-1150-WP dialysis wheelchair scale is designed to accommodate the unique needs of dialysis patients. It is designed to be pit-mounted flush with the floor for multipurpose weighing. Its heavy-duty handrail enhances patient safety and convenience, and is positioned to remain clear of wheelchairs. Convenient keypad tare reduces errors and increases efficiency.

FEATURES

- Package includes scale, pit frame, handrail and indicator
- Heavy-duty mild steel construction
- Handrail for added patient safety
- Large 1-inch LCD display
- Unit of measure toggle or locking
- Motiontrap™ movement compensation technology
- EMR capable
- Serial and USB data communication ports
- Bluetooth® BLE 4.0 available, part number selectable
- Tare function
- Hold function
- BMI (body mass index) function
- Factory calibrated

SPECIFICATIONS

Capacity:
1,000 × 0.2 lb (450 × 0.1 kg)

Platform Dimensions:
(L × W × H)
36.0 × 36.0 × 3.0 in

Power:
9 VDC, provided by six AA alkaline batteries (included) or AC adapter (optional)

Battery Type:
Six AA alkaline (included)

Battery Use:
25 hours continuous use with batteries
Automatic power-off can be configured

Operating Temperature:
50 °F to 104 °F (10 °C to 40 °C)

Display:
5-digit LCD display, 0.75 in (1.9 mm) digit height

Approvals:
c-Met, E113986

Warranty:
Two-year limited





WHEELCHAIR SCALE

MODEL	CAPACITY	COMMUNICATION	PART #
SD-1150-WP	1,000 × 0.2 lb (450 × 0.1 kg)	USB	150707
SD-1150-WPBLE	1,000 × 0.2 lb (450 × 0.1 kg)	Bluetooth® BLE 4.0	205978

OPTIONS

DESCRIPTION	PART #
9 VDC adapter, 120 V/230 V auto switching*	133077
9 VDC adapter, 230 V**	102508
Epson TM-U220 tape printer	81076
Cable, RS232 scale to printer, 6 ft, 25-pin D-Sub (male) to RJ45	186830

*NEMA 1-15 Plug  **CEE 7/16 Plug 

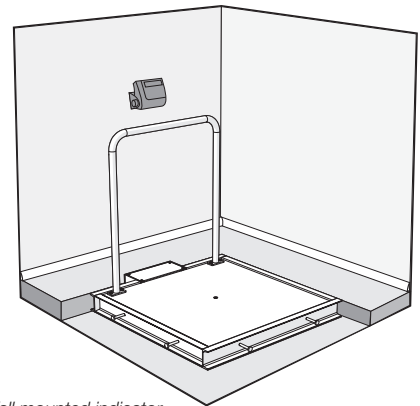
SHIPPING WEIGHT

MODEL #	PART #	L (IN)	W (IN)	H (IN)	PACKAGE WGT. (LB)	DIM WGT. (LB)	SHIPPING WGT. (LB)
SD-1150-WP	150707	40	39	15	246	169	246
SD-1150-WPBLE	205978	40	39	15	246	169	246

*Pallet weight and dimensions are included in shipping weights

DIMENSIONS

	INCHES	CENTIMETERS		INCHES	CENTIMETERS
A	36.0	91.4	D	31.5	80.0
B	36.0	91.4	E	37.0	94.0
C	3.0	7.6			



Wall mounted indicator, cable enclosed in customer supplied conduit.

