

IQ Plus® 2100

Digital Bench Scale



IQ plus 2100 with attachment bracket



IQ plus 2100 with column



IQ plus 2100 with tilt stand

Standard Features

- NEMA Type 4X/IP66
- 304 stainless steel construction
- Large, bold 0.8 in LED display
- Status annunciators: lb, kg, oz, g, negative, motion, center of zero
- One full-duplex RS-232 port
- Two digital inputs for remote zero, print and units
- 12 in column, attachment bracket or tilt stand for table, wall or under counter mounting
- Aluminum, single-point load cell
- Overload and upload stops on scale base
- Stainless steel, non-tactile feel, piezo zero and units buttons
- Unit of measure: kg, gm, lb, oz, lb/oz (lb/oz is not Legal for Trade)
- PreVent™ breather vent
- Factory calibrated

Specifications

Power:

Line Voltage
115 VAC

Frequency:

50/60 Hz

Power Consumption:

70 mA at 115 VAC (8 W)

Display Resolution:

10,000 graduations maximum

Digital Inputs:

Two inputs, TTL or switch closure, active-low

Scale Frame:

AISI304L, straight line finish, Ra= 45 +/- 10

Scale Cover:

AISI304L, straight line finish, Ra= 45 +/- 10

Serial Communications:

Full-duplex RS-232; 9600, 4800, 2400, 1200 bps; seven or eight data bits; even, odd or no parity

Display:

Six-digit light-emitting diode (LED) display
Seven-segment, 0.8 in (20 mm) digits

LED Annunciators:

Negative value, center of zero, motion, kg, g, lb, oz

Keypad:

Two stainless steel piezo switches

Operating Temperature:

14 °F to 104 °F (-10 °C to 40 °C)

Rating/Material:

NEMA Type 4X/IP66, stainless steel

Load Cell:

Aluminum, environmentally sealed

Warranty:

Two-year limited

Approvals:

Indicator:

NTEP CC 00-045 Class III/IIIL 10,000 d
Measurement Canada AM-5374;
cULus listed

Base:

NTEP CC 95-072, Class III 5,000 d

Approvals

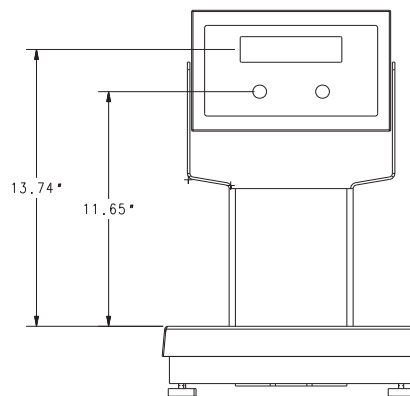
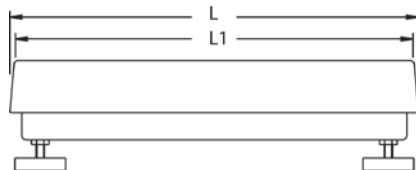


Measurement
Canada
Approved

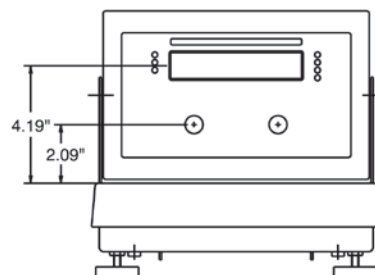
Dimensions

Platform Dimensions	L	L1
10 × 10 in	10.25 in	10 in
12 × 12 in	12.25 in	12 in

Note: 1 in=25.4 mm



With 12in column



With attachment bracket

Part Number/Price

Part #	Capacity	Platform Size*	Est. Weight	Price
IQ plus 2100 with tilt stand - 115 VAC				
63053 [†]	5 lb × 0.001 lb (2.5 kg × 0.0005 kg) (2,500 g × 0.5 g) (80 oz × 0.02 oz)	10 × 10 in	23 lb	Consult
63052 [†]	10 lb × 0.002 lb (5 kg × 0.001 kg) (5,000 g × 1 g) (160 oz × 0.05 oz)	10 × 10 in	23 lb	Consult
63051 [†]	25 lb × 0.005 lb (10 kg × 0.002 kg) (10,000 g × 2 g) (400 oz × 0.10 oz)	10 × 10 in	23 lb	Consult
63050 [†]	50 lb × 0.01 lb (25 kg × 0.005 kg) (25,000 g × 5 g) (800 oz × 0.20 oz)	12 × 12 in	26 lb	Consult
63049 [†]	100 lb × 0.02 lb (50 kg × 0.01 kg) (50,000 g × 10 g) (1,600 oz × 0.50 oz)	12 × 12 in	26 lb	Consult
IQ plus 2100 with attachment bracket - 115 VAC				
63043 [†]	5 lb × 0.001 lb (2.5 kg × 0.0005 kg) (2,500 g × 0.5 g) (80 oz × 0.02 oz)	10 × 10 in	23 lb	Consult
63042 [†]	10 lb × 0.002 lb (5 kg × 0.001 kg) (5,000 g × 1 g) (160 oz × 0.05 oz)	10 × 10 in	23 lb	Consult
63041 [†]	25 lb × 0.005 lb (10 kg × 0.002 kg) (10,000 g × 2 g) (400 oz × 0.10 oz)	10 × 10 in	23 lb	Consult
63040 [†]	50 lb × 0.01 lb (25 kg × 0.005 kg) (25,000 g × 5 g) (800 oz × 0.20 oz)	12 × 12 in	26 lb	Consult
63039 [†]	100 lb × 0.02 lb (50 kg × 0.01 kg) (50,000 g × 10 g) (1,600 oz × 0.50 oz)	12 × 12 in	26 lb	Consult
IQ plus 2100 with 12 in column - 115 VAC				
63048 [†]	5 lb × 0.001 lb (2.5 kg × 0.0005 kg) (2,500 g × 0.5 g) (80 oz × 0.02 oz)	10 × 10 in	25 lb	Consult
63047 [†]	10 lb × 0.002 lb (5 kg × 0.001 kg) (5,000 g × 1 g) (160 oz × 0.05 oz)	10 × 10 in	25 lb	Consult
63046 [†]	25 lb × 0.005 lb (10 kg × 0.002 kg) (10,000 g × 2 g) (400 oz × 0.10 oz)	10 × 10 in	25 lb	Consult
63045 [†]	50 lb × 0.01 lb (25 kg × 0.005 kg) (25,000 g × 5 g) (800 oz × 0.20 oz)	12 × 12 in	28 lb	Consult
63044 [†]	100 lb × 0.02 lb (50 kg × 0.01 kg) (50,000 g × 10 g) (1,600 oz × 0.50 oz)	12 × 12 in	28 lb	Consult



[†] NEMA 5-15 plug