

# **STRETCHER SCALES**

# 350-10-8S

## DIGITAL STRETCHER SCALE

The Rice Lake 350-10-8S digital stretcher scale is designed to be the first line of weighing when a patient is being received into a medical facility by a stretcher. The heavy-duty frame and wide ramps enable easy, safe and fast patient processing. Two rubber wheels allow easy and quiet transportation of the scale if needed. Advanced movement compensation technology eliminates involuntary movement made during the weighing process ensuring exact weighing information.



### FEATURES

- Two wheels for portability
- Dual ramp
- Metal nonslip platform
- Safety side rails
- Push-button LCD display
- Motiontrap™ movement compensation technology
- Unit of measure toggle or locking
- EMR capable
- Serial and USB data communication ports
- Bluetooth® BLE 4.0 available, part number selectable
- Tare function
- Hold function
- BMI (body mass index) function
- Factory calibrated

### SPECIFICATIONS

#### Capacity:

1,000 × 0.2 lb (450 × 0.1 kg)

#### Platform Dimensions Without Ramps:

(L × W × H)  
29.5 × 35.0 × 2.4 in

#### Platform Dimensions with Wheels and Ramps:

(L × W × H)  
63.7 × 34.2 × 3.7 in

#### Power:

9 VDC, provided by six AA alkaline batteries (included) or AC adapter (optional)

#### Battery Type:

Six AA alkaline (included)

#### Battery Use:

25 hours continuous use with batteries  
Automatic power-off can be configured

#### Operating Temperature:

50 °F to 104 °F (10 °C to 40 °C)

#### Cable Length:

7 ft (2.1 m) cable between scale base and indicator

#### Display:

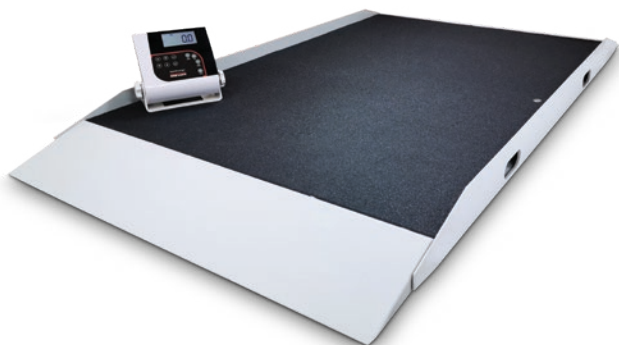
5-digit LCD display, 0.75 in (1.9 cm) digit height

#### Approvals:

c-Met, E113986

#### Warranty:

Two-year limited





## STRETCHER SCALE

MODEL	CAPACITY	COMMUNICATION	PART #
350-10-8S	1,000 × 0.2lb (450 × 0.1 kg)	USB	203622
350-10-8SBLE	1,000 × 0.2lb (450 × 0.1 kg)	Bluetooth® BLE 4.0	203623

## OPTIONS

DESCRIPTION	PART #
9 VDC adapter, 120 V/230 V auto switching*	133077
9 VDC adapter, 230 V**	102508
Epson TM-U220 tape printer	81076
Cable, RS232 scale to printer, 6 ft, 25-pin D-Sub (male) to RJ45	186830
Cable, USB 6 ft USB-A (male) to USB-B (male)	79074
Cable, Communication DB9 (female) to RJ45 (male), 4 conductor	217091

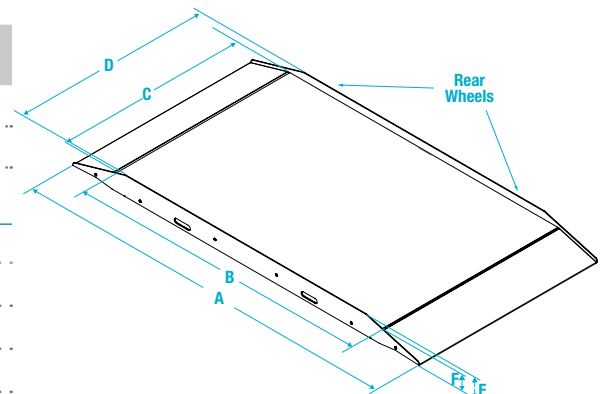
\*NEMA 1-15 Plug  \*\*CEE 7/16 Plug 

## SHIPPING WEIGHT

MODEL #	PART #	L (IN)	W (IN)	H (IN)	PACKAGE WGT. (LB)	DIM WGT. (LB)	SHIPPING WGT. (LB)
350-10-8S	203622	67.2	36	6	154	104	154
350-10-8SBLE	203623	67.2	36	6	154	104	154

## DIMENSIONS

	INCHES	CENTIMETERS		INCHES	CENTIMETERS
<b>A</b>	63.8	162.0	<b>D</b>	32.9	83.6
<b>B</b>	49.3	125.3	<b>E</b>	3.9	9.8
<b>C</b>	32.7	83.1	<b>F</b>	2.6	6.7



PG 57

