

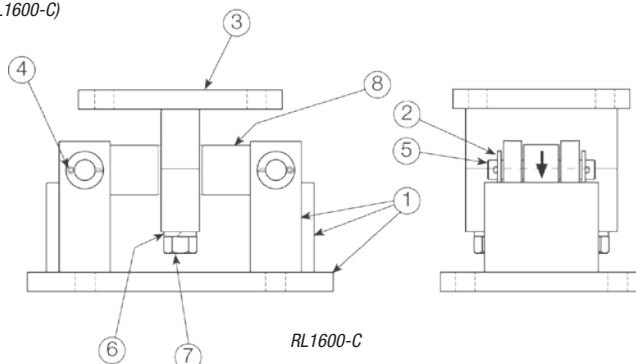
RL1600/65016 TWA Series Tank Weighing Assembly

Mild Steel

Part Number/Price

Ref#	Part#	Description	Price
	16952	Installation manual	Consult
Rated Capacity: 1,000 lb - 5,000 lb			
1	22745	Tank-mount base	Consult
2	15165	Washer	Consult
3	22746	Load plate and clamp	Consult
4	15232	Cotter pin	Consult
5	22747	Pin	Consult
6	15167	Lock washer	Consult
7	14757	Clamp bolt	Consult
8	17300	Load cell, RL75016 - 1,000 lb	Consult
	17302	Load cell, RL75016 - 1,500 lb	Consult
	17304	Load cell, RL75016 - 2,000 lb	Consult
	17306	Load cell, RL75016 - 2,500 lb	Consult
	17308	Load cell, RL75016 - 3,000 lb	Consult
	17309	Load cell, RL75016 - 5,000 lb	Consult
	17268	Sensortronics load cell, 65016 - 1,000 lb	Consult
	17270	Sensortronics load cell, 65016 - 1,500 lb	Consult
	17273	Sensortronics load cell, 65016 - 2,500 lb	Consult
	17275	Sensortronics load cell, 65016 - 5,000 lb	Consult
Rated Capacity: 10,000 lb - 25,000 lb			
1	22748	Tank-mount base	Consult
2	15179	Washer	Consult
3	22749	Load plate and clamp	Consult
4	15237	Cotter pin	Consult
5	22750	Pin	Consult
6	15181	Lock washer	Consult
7	15097	Clamp screw cap	Consult
8	17311	Load cell, RL75016 - 10,000 lb	Consult
	17313	Load cell, RL75016 - 15,000 lb	Consult
	17315	Load cell, RL75016 - 20,000 lb	Consult
	17317	Load cell, RL75016 - 25,000 lb	Consult
	17277	Sensortronics load cell, 65016 - 10,000 lb	Consult
	17279	Sensortronics load cell, 65016 - 15,000 lb	Consult
	17281	Sensortronics load cell, 65016 - 20,000 lb	Consult
	17282	Sensortronics load cell, 65016 - 25,000 lb	Consult
Rated Capacity: 50,000 lb and 75,000 lb			
1	22751	Tank-mount base	Consult
2	15184	Washer	Consult
3	22752	Load plate and clamp, 50,000 lb only	Consult
3	25364	Load plate and clamp, 75,000 lb only	Consult
4	15257	Cotter pin	Consult
5	22753	Pin	Consult
6	15189	Lock washer	Consult
7	14799	Clamp screw bolt	Consult
8	17319	Load cell, RL75016 - 50,000 lb	Consult
	25357	Load cell, RL75016 - 75,000 lb	Consult
	17284	Sensortronics load cell, 65016 - 50,000 lb	Consult
	25358	Sensortronics load cell, 65016 - 75,000 lb	Consult

(See Diagram RL1600-C)



RL1600-C

