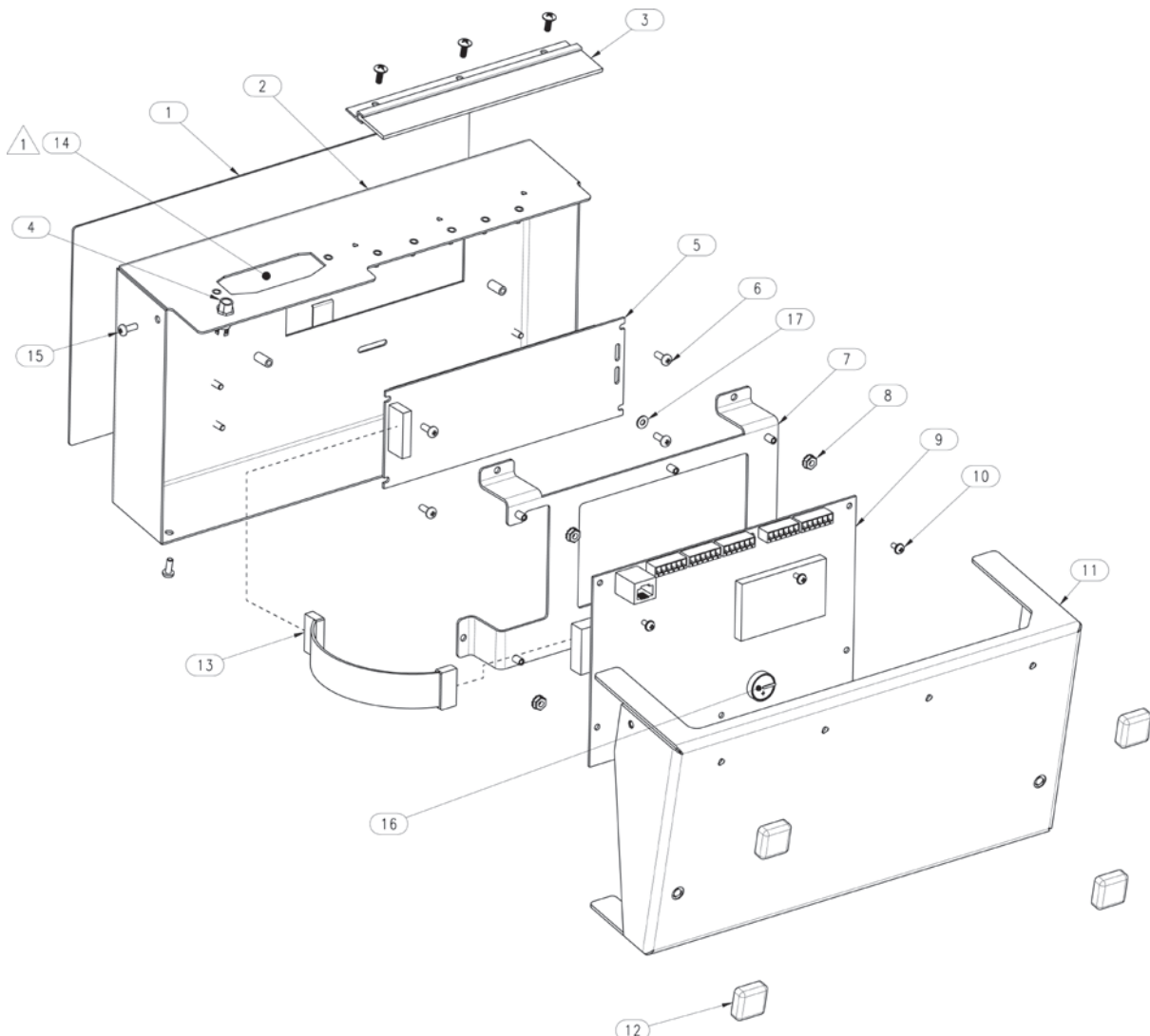


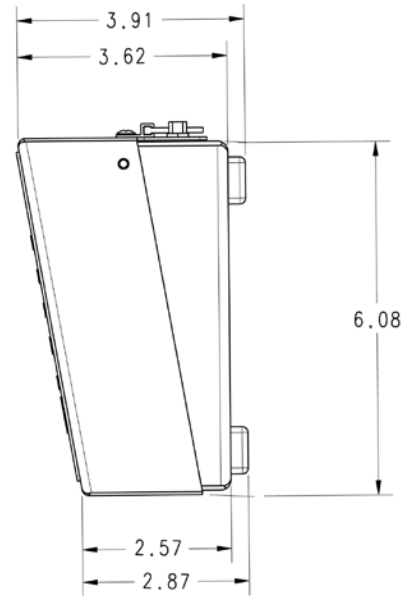
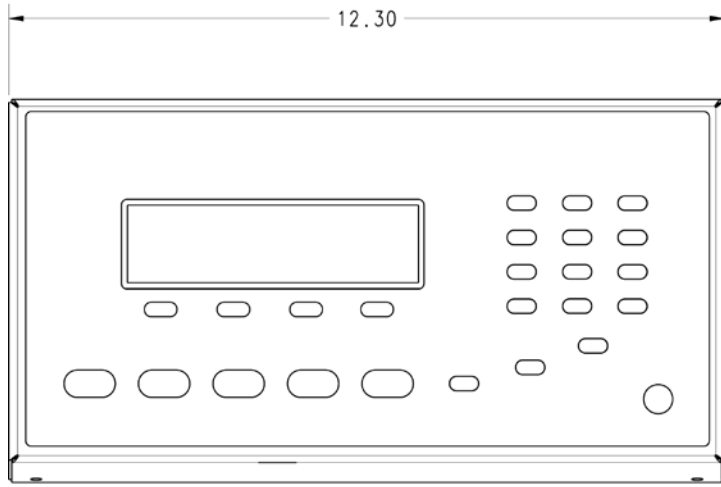
Part Number/Price

Ref #	Part#	Description	Price
1	118434	Overlay, membrane switch panel (1)	Consult
2	118435	Counterpart cover enclosure (1)	Consult
3	120756	Seal stripe, nylon brush with holes (1)	Consult
5	119275	LCD display module	Consult
7	120484	CPU mounting bracket (1)	Consult
8	14621	Kep nut, 6-32 NC hex (6)	Consult
9	120741	CPU board (1) single AD	Consult
	117507	CPU board (1) dual AD	Consult
10	14822	Machine screw, 4-40 NC x 1/4 (6)	Consult
11	118437	Enclosure base (1)	Consult
12	19433	Rubber foot (4)	Consult
13	60130	Ribbon cable (1)	Consult
14	75146	Cover plate (1)	Consult
15	120266	Machine screw, 6-32 NC x 3/8 (7)	Consult
16	69291	Lithium battery, 3V (1)	Consult
17	59274	#6 flat washer (1)	Consult
18	56972	Flat cable clamp (2)	Consult
	128063	Power supply 12V, requires power cord	Consult
	15438	AC power cord	Consult
21	53828	Cable, multi scale	Consult



Counting Scales





Counting Scales

