

# Dimensioning

## TABLE OF CONTENTS

|  |            |
|--|------------|
| <b>Weigh-n-Dimension Systems</b> .....                     | <b>332</b> |
| <i>iDimension Plus and BenchPro Shipping Scale Package</i> |            |
| <b>iDimension® Plus / Plus XL</b> .....                    | <b>333</b> |
| <i>Static Dimensioning System</i>                          |            |
| <b>iDimension® Plus Mobile Cart</b> .....                  | <b>337</b> |
| <b>iDimension® Flex Series</b> .....                       | <b>338</b> |
| <i>Parcel and Pallet Static Dimensioning System</i>        |            |
| <b>iDimension® PWD System</b> .....                        | <b>340</b> |
| <i>Pallet Weighing and Dimensioning System</i>             |            |
| <b>iDimension® LTL / LTL XL</b> .....                      | <b>342</b> |
| <i>Pallet Dimensioning System</i>                          |            |
| <b>iDimension® SS</b> .....                                | <b>345</b> |
| <i>Integration Software</i>                                |            |

Product names, logos, brands and other trademarks featured or referred to within this publication are the property of their respective trademark holders.

# Weigh-n-Dimension Systems

iDimension Plus and BenchPro Shipping Scale Package

DIMENSIONING



## Packages

- Package 1 includes: iDimension Plus 1.5 m pole assembly, Rice Lake BenchPro shipping scale (150 lb)
- Package 2 includes: iDimension Plus 4K 1.5 m pole assembly, Rice Lake BenchPro shipping scale (150 lb)
- Package 3 includes: iDimension Plus 1.5 m pole assembly, Rice Lake BenchPro shipping scale (150 lb), kit for connection to shipping software, barcode scanner with four- port USB hub and computer cables
- Package 4 includes: iDimension Plus 4K 1.5 m pole assembly, Rice Lake BenchPro shipping scale (150 lb), kit for connection to shipping software, barcode scanner with four- port USB hub and computer cables

## iDimension Plus

- Easy to assemble in 30 minutes or less
- Displays dimensions in 0.2 seconds
- No special package placement requirements
- Includes touch screen monitor
- Capable to dimension opaque packaging
- Measurement capabilities beyond Legal for Trade limits
- Color camera included
- High resolution color image, 2880 x 2160 pixels, available from iDimension Plus 4 K
- iDimension Desktop Wedge program available as free download from [www.ricelake.com](http://www.ricelake.com)

## Approvals



## Measurement Capabilities

| Model             | 1.5 m            |                  |
|-------------------|------------------|------------------|
| Platform Distance | 60 in (1,500 mm) |                  |
| Min/Max           | Min              | Max              |
| Length            | 1.2 in (30 mm)   | 48 in (1,200 mm) |
| Width             | 1.2 in (30 mm)   | 32 in (800 mm)   |
| Height            | 0 in (0 mm)      | 28 in (700 mm)   |
| Division          | 0.2 in (5 mm)    |                  |

Legal for Trade approved minimum and maximum measurements are available from the country specific certificate of approval.

## Part Numbers/Price

| Part # | Description  | Price   |
|--------|--|---------|
| 221294 | iDimension Plus 1.5 m pole assembly with BenchPro shipping scale 150 lb (Package 1)  | Consult |
| 221295 | iDimension Plus 4K 1.5 m pole assembly with BenchPro shipping scale 150 lb (Package 2)   | Consult |
| 221296 | iDimension Plus 1.5 m pole assembly with BenchPro shipping scale 150 lb with Quick Scan barcode scanner, four-port USB hub and necessary cables (Package 3)    | Consult |
| 221297 | iDimension Plus 4K 1.5 m pole assembly with BenchPro shipping scale 150 lb with Quick Scan barcode scanner, four-port USB hub and necessary cables (Package 4) | Consult |

## Options/Accessories

| Part #  | Description   | Price   |
|---------|---|---------|
| 202027  | Optional Factory Support: Up to 2 hours iDimension Plus remote support, includes initial configuration and scale setup, iDimension Desktop Wedge installation and operator training | Consult |
| Consult | Optional Extended Warranty - two-year standard iDimension Plus additional one-year extended warranty  | Consult |

## BenchPro

- Large six-digit backlight LCD display with 1-inch characters protected by heavy-duty tempered glass
- USB HID interface
- Powered through USB interface with dimensioner

## iDimension Plus Specifications

### Power Requirements:

110 to 240 V US power cord (included)

### Communication Ports:

- (1) USB A
- (1) 10/100/1000 Base-T Ethernet

### Display:

7 in (178 mm) touchscreen

### Software Integration:

Simple API network integration through HTTP requests, status checking and XML parsing

### Temperature Range:

32 °F to 104 °F (0 °C to 40 °C)

### Integration Tools:

Rest API  
iDim Desktop Wedge with SDK (software developers kit)

### Approvals:

NTEP 19-040A2  
OIML R129/2000-A-NL1-20.05  
NMI Certified  
MID Certified  
CE Marked

### Warranty:

Two-year limited

## BenchPro Specifications

### Weigh Platter:

12 × 14 inch  
150 × 0.05 lb / 75 × 0.02 kg capacity

### Battery Power:

Four AA alkaline batteries, 6 V, with low battery indication at 4 V

### Battery Life:

50 to 250 hrs depending on backlight and auto-shutdown settings

### Annunciators:

Six: zero, gross/brutto, net, W1/W2/W3 multi-range

### Display:

Large six-digit backlight LCD display with 1-inch characters protected by heavy-duty tempered glass

### Communication Port:

USB HID interface 2.0 full speed

### Integration Tools:

Rest API  
iDim Desktop Wedge with SDK (software developers kit)

### Approvals:

NTEP 17-002  
Measurement Canada AM-6050  
CE Marked

# iDimension® Plus / Plus XL

Static Dimensioning System



## Standard Features

- iDim Plus package includes: Base plate, pole assembly, USB display, calibration object, US power cord, operating manual and assembly tool kit
- iDim Plus XL package includes: iDimension Plus XL scanner head, 10 ft Ethernet cable, USB display, calibration object, US power cord and operating manual
- Easy to assemble in 30 minutes or less
- Displays dimensions in 0.2 seconds
- No special package placement requirements
- Capable to dimension opaque packaging
- Measurement capabilities beyond Legal for Trade limits
- Standard resolution color camera
- High resolution color image, 2880 × 2160 pixels, available from iDimension Plus 4K

## Options

- iDimension SS (Software Suite) or iDimension Desktop Wedge programs for data integration
- Powered USB hub for use of more than one peripheral
- Wired or wireless USB bar code scanner
- Rice Lake BenchPro shipping/postal scales
- Rice Lake 680, 880, 1280 indicators available for automation applications

## Specifications

### Power Requirements:

110 to 240 VAC  
US power cord (included)

### Communication Ports:

(1) USB A  
(1) 10/100/1000 Base-T Ethernet

### Display:

7 in (178 mm) touchscreen monitor

### Accuracy:

Certified Legal for Trade at 0.2 in (5 mm) cuboidal shapes  
Certified Legal for Trade at 0.5 in (10 mm) irregular shapes

### Software Integration:

Simple API network integration through HTTP requests, status checking and XML parsing

### Temperature Range:

Certified: 32 °F to 104 °F (0 °C to 40 °C)

### Humidity:

Non-condensing

### Warranty:

Two-year limited

### Approvals:

NTEP 19-040  
OIML T11908  
CE  
EU Mid  
FCC  
NMI

## Approvals



## Measurement Capabilities Based on Pole Assembly Height

| Model             | 1.2 m            |                  | 1.5 m            |                  | 2 m XL           |                  |
|-------------------|------------------|------------------|------------------|------------------|------------------|------------------|
| Platform Distance | 48 in (1,200 mm) |                  | 60 in (1,500 mm) |                  | 80 in (2,000 mm) |                  |
| Min/Max           | Min              | Max              | Min              | Max              | Min              | Max              |
| Length            | 1.2 in (30 mm)   | 40 in (1,000 mm) | 1.2 in (30 mm)   | 48 in (1,200 mm) | 8 in (203 mm)    | 48 in (1,200 mm) |
| Width             | 1.2 in (30 mm)   | 24 in (600 mm)   | 1.2 in (30 mm)   | 32 in (800 mm)   | 8 in (203 mm)    | 32 in (800 mm)   |
| Height            | 0 in (0 mm)      | 24 in (600 mm)   | 0 in (0 mm)      | 28 in (700 mm)   | 4 in (102 mm)    | 32 in (800 mm)   |
| Division          | 0.2 in (5 mm)    |                  | 0.2 in (5 mm)    |                  | 0.5 in (10 mm)   |                  |

Legal for Trade approved minimum and maximum measurements are available from the country specific certificate of approval.

## Part Numbers/Price

| Part #   | Description   | Price   |
|--|---|---------|
| <b>Parcels less than 40 inches (1.2m pole)</b> |   |         |
| 204599   | iDimension Plus 1.2m pole assembly  | Consult |
| 204600   | iDimension Plus 4K 1.2m pole assembly   | Consult |
| <b>Parcels less than 48 inches (1.5m pole)</b> |   |         |
| 204596   | iDimension Plus 1.5m pole assembly  | Consult |
| 204598   | iDimension Plus 4K 1.5m pole assembly   | Consult |
| <b>iDimension Plus XL</b>                      |   |         |
| 204601   | iDimension Plus XL  | Consult |
| 204602   | iDimension Plus XL 4K   | Consult |
| <b>iDimension Plus XL Mounting Options</b>     |   |         |
| 174660   | iDimension XL floor stand   | Consult |
| 198708   | iDimension XL mounting hardware and cable assembly kit with 25 ft North American power cord | Consult |
| 206583   | iDimension XL mounting hardware and cable assembly kit without power cord                   | Consult |
| 184262   | iDimension USB operator display RAM® mount kit  | Consult |

# iDimension® Plus / Plus XL

Static Dimensioning System

DIMENSIONING

## Options/Accessories

| Part #                                       | Description  | Price        |
|--|--|--------------|
| <b>Accessories</b>                           |  |              |
| 180007                                       | Kit, USB Hub, 5 m cable assembly, power adapter, four-port industrial USB hub, US power supply   | Consult      |
| 180771                                       | Kit, USB Hub for shipping software integration, Includes four-port USB hub, power adapter USB to serial cables. Barcode scanner not included         | Consult      |
| 205533                                       | Power cord, detachable, German/French, 5 m, CEE 7/7, Type E plug   | Consult      |
| 95589  | Power cord, detachable, UK, 2.5m, BS1363 Type G plug   | Consult      |
| 162630                                       | Power cord, detachable, AU / NZ, 2.5m, 1332 Type 1 plug  | Consult      |
| 178501                                       | RS-232/USB cable, for use with compatible indicators   | Consult      |
| <b>Barcode Scanner</b>                       |  |              |
| 176307                                       | QuickScan QD2131 USB barcode scanner   | Consult      |
| 206225                                       | Wireless Honeywell 1981IFR-3USB-5-N long-range barcode scanner   | Consult      |
| <b>Optional Integration Solutions</b>        |  |              |
| 180771                                       | Shipping software integration kit includes four-port industrial USB hub, power adapter and USB cables to connect computer and dimensioner            | Consult      |
| 203010                                       | iDimension Desktop Wedge requires Windows 10 or newer (Available for free download at <a href="http://www.ricelake.com">www.ricelake.com</a> )       | N/C          |
| 175812                                       | iDimension SS (software suite) web server software requires Windows 10 or newer  | Consult      |
| <b>Optional Factory Service and Support</b>  |  |              |
| 202027                                       | Up to 2 hours iDim Plus remote support, includes initial configuration and scale setup, iDimension Desktop Wedge installation and operator training. | Consult/Unit |
| <b>Extended Warranty – Two-year standard</b> |  |              |
| 202030                                       | iDimension Plus one-year optional extended warranty  | Consult      |

## Rice Lake BenchPro Compatible Scales

|   |  |         |
|---|--|---------|
| <b>Postal Scale 12 × 14 in (305 × 356 mm) Weigh Platter</b>   |  |         |
| 194625 *  | Model BP 1214-35P - 70 lb postal scale, painted mild steel weight platter          | Consult |
| <b>Shipping Scale 12 × 14 in (305 × 356 mm) Weigh Platter</b> |  |         |
| 184585  | Model BP 1214-75S, 150 × 0.05 lb / 75 × 0.02 kg painted mild steel weigh platter   | Consult |
| <b>Shipping Scale 18 × 18 in (457 × 457 mm) Weigh Platter</b> |  |         |
| 202191  | Model BP 1818-75S, 150 × 0.05 lb / 75 × 0.02 kg, painted mild steel weigh platter  | Consult |
| 201730  | Model BP 1818-75S, 150 × 0.05 lb / 75 × 0.02 kg ball top weigh platter             | Consult |
| 202190  | Model BP 1818-75S, 150 × 0.05 lb / 75 × 0.02 kg roller conveyor weigh platter      | Consult |
| <b>Shipping Scale 20 × 20 in (508 × 508 mm) Weigh Platter</b> |  |         |
| 182396  | Model BP 2020-150S, 300 × 0.1 lb / 150 × 0.05 kg, painted mild steel weigh platter | Consult |
| 182397  | Model BP 2020-150S, 300 × 0.1 lb / 150 × 0.05 kg, ball top weigh platter           | Consult |
| 182398  | Model BP 2020-150S, 300 × 0.1 lb / 150 × 0.05 kg, roller conveyor weigh platter    | Consult |
| <b>Shipping Scale 24 × 24 in (610 × 610 mm) Weigh Platter</b> |  |         |
| 182400  | Model BP 2424-150S, 300 × 0.1 lb / 150 × 0.05 kg, painted mild steel weigh platter | Consult |
| 182401  | Model BP 2424-150S, 300 × 0.1 lb / 150 × 0.05 kg, ball top weigh platter           | Consult |
| 182402  | Model BP 2424-150S, 300 × 0.1 lb / 150 × 0.05 kg, roller conveyor weigh platter    | Consult |

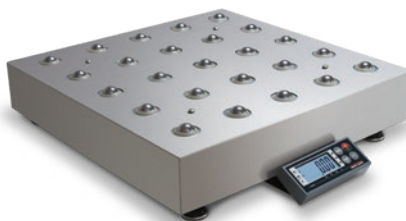
\*USB HID interface not available when in the postal scale lb/oz mode



Shown with ELS  
(Elevated Load Cell Stand)  
legs found on page 584,  
conveyor not included



Model BP 1214-S with mild steel weigh platter



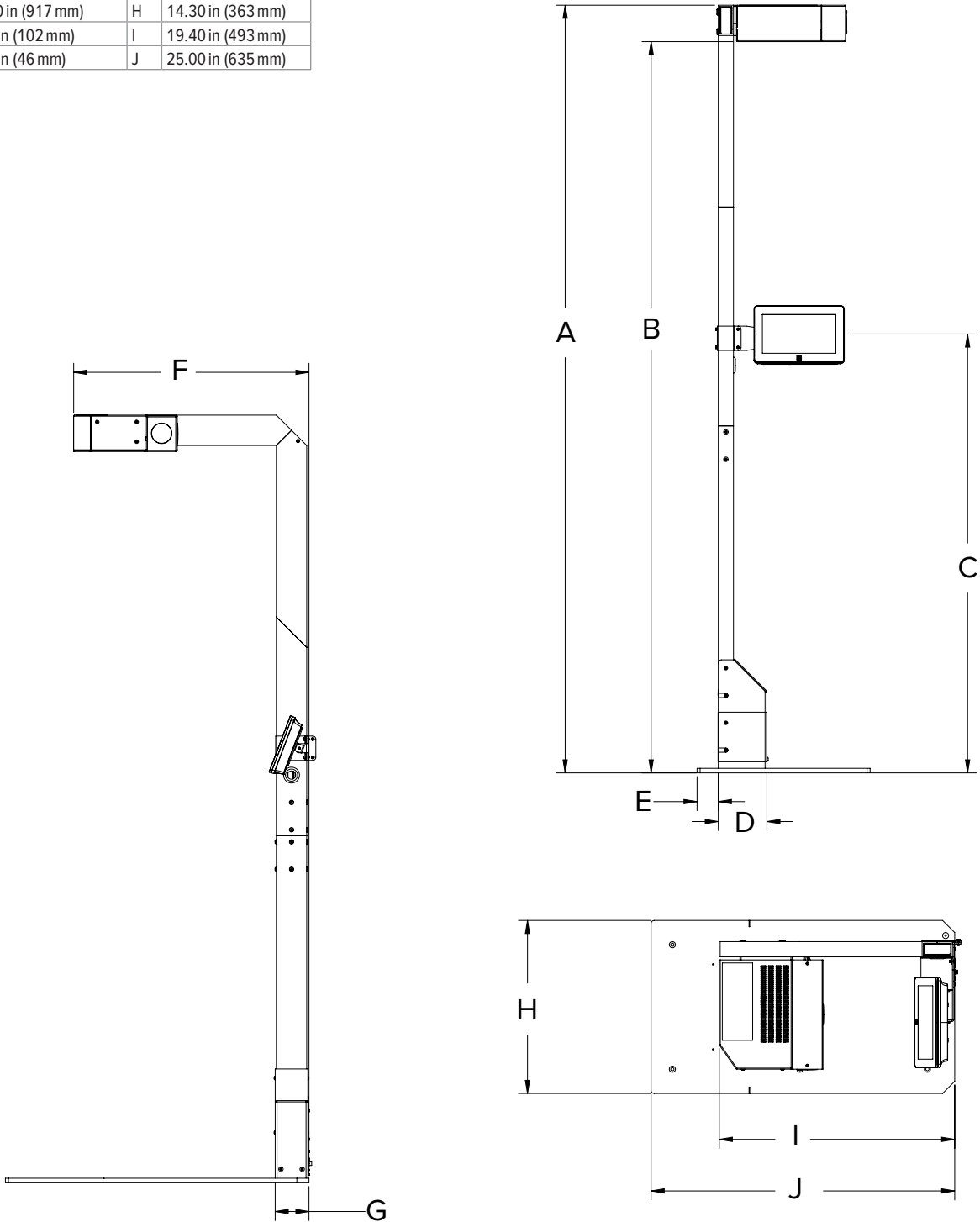
Model BP 1818-S with ball top weigh platter



Model BP 2424-S with roller conveyor weight platter

## Dimensions

| iDimension Plus, 1.5m |                     |   |                   |
|-----------------------|---------------------|---|-------------------|
| A                     | 63.20 in (1,605 mm) | F | 19.40 in (493 mm) |
| B                     | 60.20 in (1,529 mm) | G | 2.80 in (71 mm)   |
| C                     | 36.10 in (917 mm)   | H | 14.30 in (363 mm) |
| D                     | 4.00 in (102 mm)    | I | 19.40 in (493 mm) |
| E                     | 1.80 in (46 mm)     | J | 25.00 in (635 mm) |



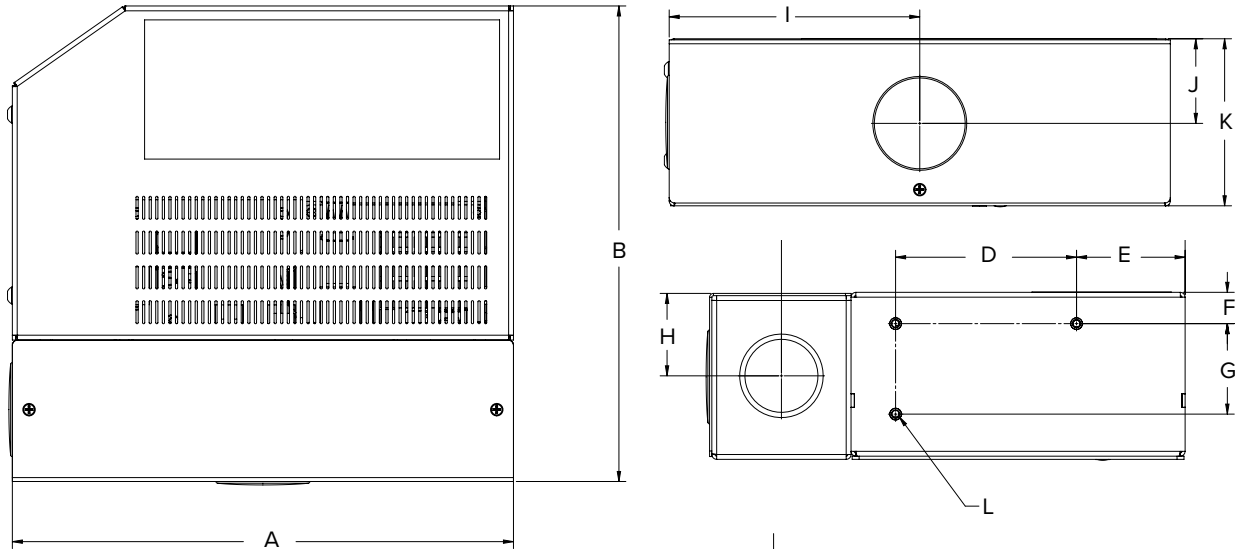
# iDimension® Plus / Plus XL

Static Dimensioning System

DIMENSIONING

## Dimensions

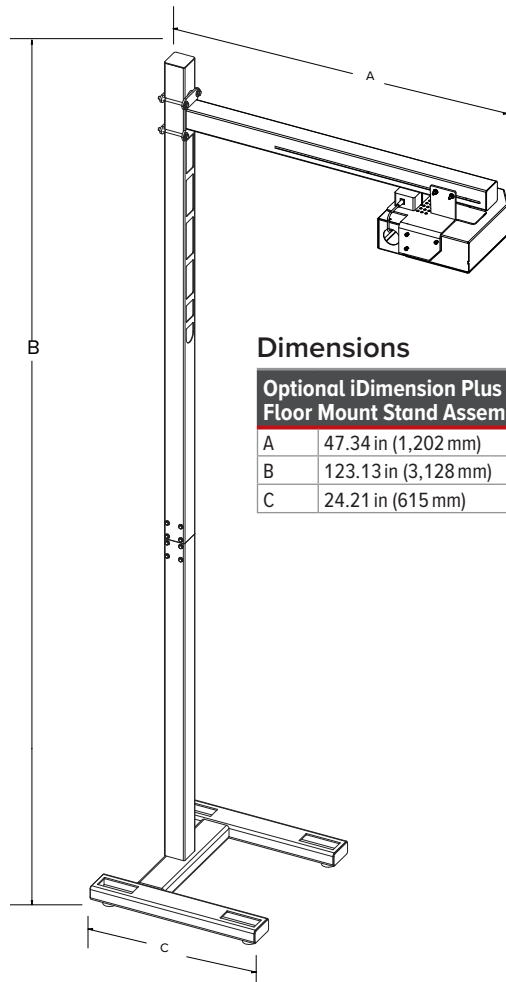
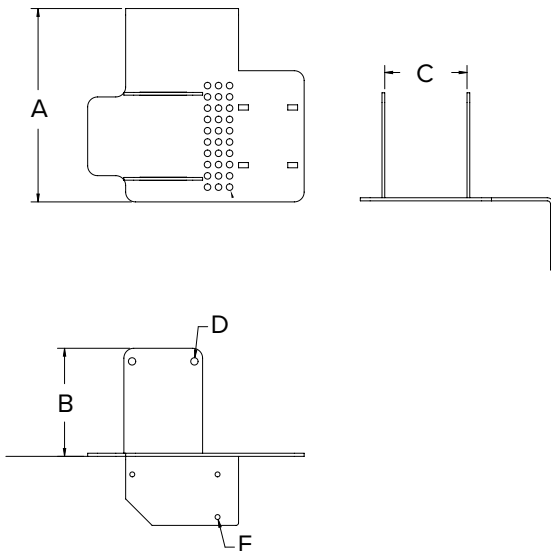
| iDimension Plus XL Scanning Head Assembly |                  |   |                  |   |                        |
|---|------------------|---|------------------|---|------------------------|
| A   | 9.00 in (229 mm) | F | 0.60 in (15 mm)  | K | 3.00 in (76 mm)        |
| B   | 8.50 in (216 mm) | G | 1.60 in (41 mm)  | L | M4 × 0.7 threaded hole |
| C   | 7.20 in (183 mm) | H | 1.50 in (38 mm)  |   |                        |
| D   | 3.30 in (84 mm)  | I | 4.50 in (114 mm) |   |                        |
| E   | 2.00 in (51 mm)  | J | 1.50 in (38 mm)  |   |                        |



## Dimensions

| iDimension XL Mounting Bracket - PN 198708 |                  |
|--|------------------|
| A  | 7.37 in (187 mm) |
| B  | 4.12 in (105 mm) |
| C  | 3.14 in (80 mm)  |
| D  | 2x Ø.28          |
| E  | 3x Ø.19          |

Use this bracket to mount iDimension XL Scanner head to the optional floor stand 174660 or to user provided structure



## Dimensions

| Optional iDimension Plus XL Floor Mount Stand Assembly |                      |
|--|----------------------|
| A  | 47.34 in (1,202 mm)  |
| B  | 123.13 in (3,128 mm) |
| C  | 24.21 in (615 mm)    |

# iDimension® Plus Mobile Cart

Mobile Parcel System

DIMENSIONING



iDimension Plus & scale  
not included

## Standard Features

- Push handle with laptop shelf, waste basket, 6 × 2 in rubber wheels with two locking casters, integrated power system and power strip

## Specifications

### Color:

Black powder coat

### Overall Cart Capacity:

125 lb (57 kg), not including iDimension Plus and scale

### Battery Type:

PowerSwap Nucleus® Lithium Power System

Output: 120 watts (1 battery)

240 watts (2 batteries)

Surge Power: 550/825 watts

Charge Time: 4-5 hours

Weight: Single battery 11 lbs

(5 kg)

Dimensions: 6.5 × 12.8 × 6.4 in

(165 × 326 × 163 mm)

Dimensions of power dock and charging Station:

17.75 × 11.63 × 10 in

(451 × 295 × 254 mm)

Sealed Lead Acid Power System

Output: 450 watts

Surge Power: 900 watts

Charge Time: 8 hours

Weight: 103 lb (46.8 kg)

Dimensions: 18.25 × 11 × 13 in

(464 × 302 × 330mm)

## Part Numbers/Price

| Part #  | Description   | Est. Weight | Price   |
|---|---|-------------|---------|
| 203934*                                       | 30 in (762 mm) long Atlas Series cart   | 310 lb      | Consult |
| 203935*                                       | 48 in (1,219 mm) long Atlas Series cart   | 330 lb      | Consult |
| <b>PowerSwap Nucleus Lithium Power System</b> |   |             |         |
| 212177  | Kit includes: dual pocket docking station, dual pocket charging station and 2 batteries on cart |             | Consult |
| 212179  | Kit includes: single pocket docking station, dual pocket charging station and 1 battery on cart |             | Consult |
| <b>Sealed Lead Acid Power System</b>          |   |             |         |
| 212180  | PowerPack Mega Series PP12 sealed lead acid battery with internal charger and US power cord     |             | Consult |

Rice Lake Weighing System recommends using only the BenchPro Model BP1214 due to the overall cart capacity

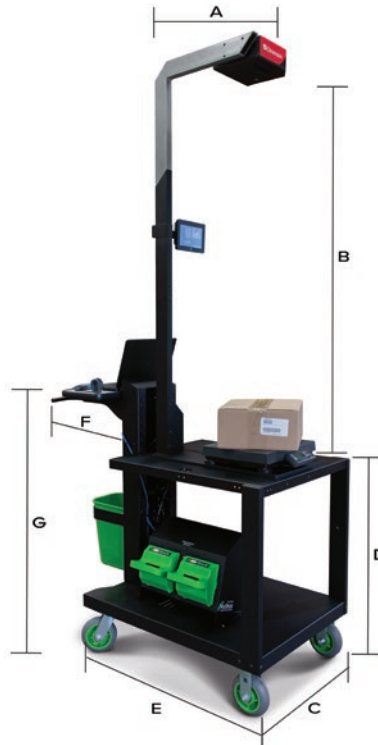
\*Select cart size and battery type to complete your solution.

## Dimensions

| 30 Inch Cart |   |
|--------------|---|
| A            | 27.00 in (686 mm)                       |
| B            | 63.50 in (1,613 mm)                     |
| C            | 26.00 in (660 mm)                       |
| D            | 33.00 in (838 mm)                       |
| E            | 49.00 in (1,245 mm)                     |
| F            | 12.00 in (305 mm)                       |
| G            | 20.00 in (508 mm)<br>(adjustable shelf) |

## Dimensions

| 48 Inch Cart |   |
|--------------|---|
| A            | 27.00 in (686 mm)                         |
| B            | 63.50 in (1,613 mm)                       |
| C            | 26.00 in (660 mm)                         |
| D            | 33.00 in (838 mm)                         |
| E            | 67.00 in (1,702 mm)                       |
| F            | 12.00 in (305 mm)                         |
| G            | 44.00 in (1,118 mm)<br>(adjustable shelf) |



# iDimension® Flex Series

Parcel and Pallet Static Dimensioning System

DIMENSIONING



*Suspended or Free-standing mount options available  
Picture represents a 7ft opening on a free-standing unit*

## Approvals



## Part Numbers/Price

| Part #  | Description  | Price   |
|---|--|---------|
| <b>Two-Sensor Array - Cuboidal</b>                |  |         |
| 219295  | Free-standing 80/20 frame, two-sensors, one camera, industrial PC, kiosk, software integration tool kit, REST API  | Consult |
| 219293  | Modular kit, suspend from ceiling/wall, two-sensors, one camera, industrial PC, kiosk, software integration tool kit, REST API. Mounting hardware sold separately  | Consult |
| <b>Four-Sensor Array - Cuboidal and Irregular</b> |  |         |
| 219294  | Free-standing 80/20 frame, four-sensors, one camera, industrial PC, kiosk, software integration tool kit, REST API   | Consult |
| 219292  | Modular kit, suspend from ceiling/wall, four-sensors, one camera, industrial PC, kiosk, software integration tool kit, REST API. Mounting hardware sold separately | Consult |

## Options/Accessories

| Part #             | Description  | Price   |
|--------------------|--|---------|
| <b>Accessories</b> |  |         |
| 200168             | 2.4 mm POE network camera  | Consult |
| 219194             | Kiosk pedestal base  | Consult |
| 220137             | Mounting kit to attach kiosk to 219294 free-standing Flex  | Consult |
| 212260             | Kiosk shelf for printer or scanner   | Consult |
| 220146             | Optional 5th sensor to assist with scanning black stretch film   | Consult |
| 219618             | Two-sensor array 80/20 mounting kit, 25 ft high max ceiling height   | Consult |
| 205283             | Four-sensor array 80/20 mounting kit, 25 ft high max ceiling height  | Consult |
| 188757             | Four-sensor array aircraft wire kit for ceiling less than 35 ft  | Consult |
| 214187             | RoughDeck floor scale 5 x 5 ft HC, 2,500 kg, flat black paint, Measurement Canada Certified  | Consult |
| 213921             | RoughDeck floor scale 5 x 5 ft HP, 5,000 lb, flat black paint, NTEP Certified  | Consult |
| 86873              | Bumper guard, HP 5 ft  | Consult |
| 213999             | RoughDeck ramp, 5 ft   | Consult |
| 200183             | 680 Plus Indicator, LED display, 115 to 230 VAC with RJ45, US power cord. Alternately, choose a Rice Lake 880 or 1280 for automation applications. | Consult |

## Standard Features

- Available with two or four sensors
- Floor mounted free-standing frame, or suspend from the ceiling
- One high resolution camera (one additional camera available)
- Install/integrate with a floor scale, conveyor or pallet stretch wrapper
- Easy two-person assembly

## Options

- Kiosk pedestal base available
- Second high resolution camera
- Additional sensor to assist reading black stretch film

## Specifications

### Power Requirements:

110 to 240 VAC  
25 ft (7.62 m) U.S. power cable included

### Communication Ports:

Ethernet TCP/IP, USB, Serial RS232

### Operating Temperature:

14 °F to 104 °F (-10 °C to 40 °C)

### Humidity:

0 to 90% non-condensing

### Measurement Capability four-sensor:

Min: 12 x 12 x 12 in (300 x 300 x 300 mm)  
Max: 72 x 72 x 96 in (1,828 x 1,828 x 2,438 mm)

### Warranty:

Two-year limited  
Five-year limited, sensors only

### Approvals:

NTEP  
OIML  
CE Marked  
FCC  
MID Certified

## Applications

### Two-Sensor Array - Cuboidal

- Used above a work surface or over a conveyor to dimension large cuboidal packages and boxes.

### Four-Sensor Array - Cuboidal and Irregular

- Pallet dimensioning, above a target zone, scale, conveyor or stretch wrapper to dimension cuboidal and irregular freight.



*iDimension Flex Series Kiosk*

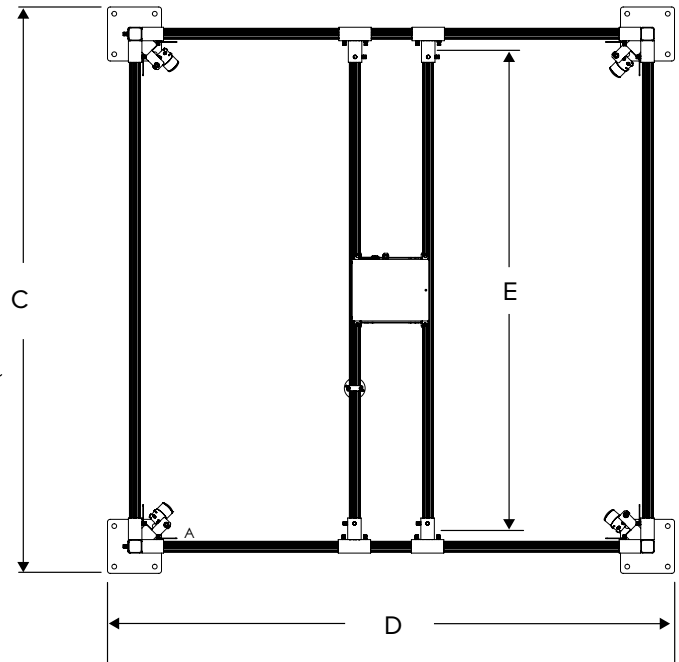
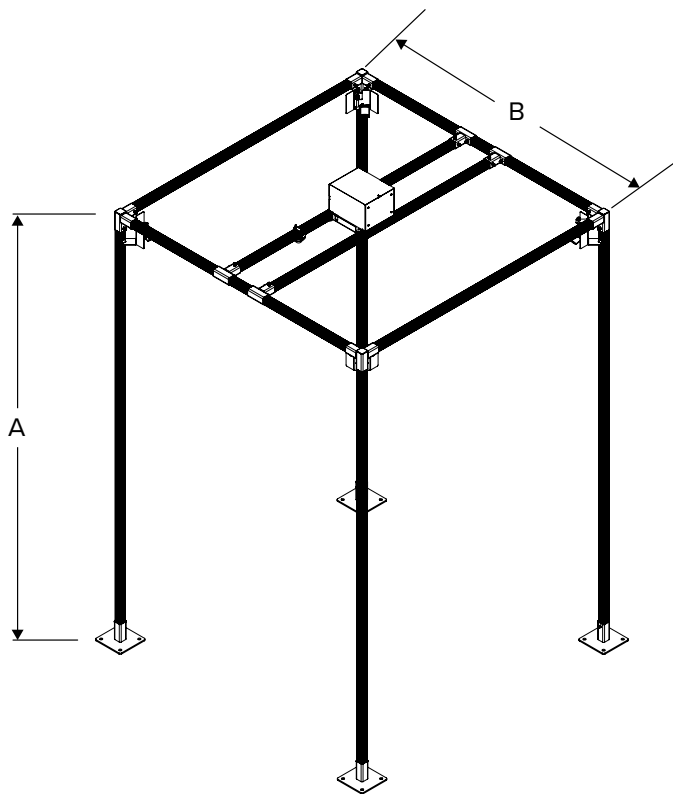


## Options/Accessories

| Part #                                       | Description   | Price   |
|--|---|---------|
| <b>Barcode Scanner</b>                       |   |         |
| 176307                                       | QuickScan QD2131 barcode scanner  | Consult |
| 206229                                       | Honeywell wireless long-range TCP/IP barcode scanner kit                | Consult |
| <b>Factory Service and Support</b>           |   |         |
| 194215                                       | Annual licensing fee  | Consult |
| FLD-Install                                  | iDimension field install/training day, travel and expenses not included | Consult |
| 202029                                       | Hourly rate scheduled integration services remote session               | Consult |
| <b>Extended Warranty – Two-year standard</b> |   |         |
| 202033                                       | iDimension Flex/PWD/LTL additional one-year extended warranty           | Consult |

## Dimensions

| iDimension Flex |                          |
|-----------------|--------------------------|
| A               | 145.38 in (3,693 mm) max |
| B               | 93.00 in (2,362 mm)      |
| C               | 104.88 in (2,664 mm) max |
| D               | 105.00 in (2,667 mm) max |
| E               | 85.08 in (2,161 mm)      |



# iDimension® PWD System

Pallet Weighing and Dimensioning System

DIMENSIONING



## Standard Features

- Includes: iDimension PWD, kiosk, panel mounted scale indicator, 5 × 5 ft 5,000 lb scale, calibration object, accuracy test box, operators and assembly manuals
- Integrated 5 × 5 ft floor scale, 5,000 lb capacity
- Pallet tare mode can measure objects on a pallet by excluding the pallet from the measurement (not Legal for Trade)
- Simple API network integration through HTTP requests, status checking and XML parsing
- Assembly and installation in less than a day
- One high resolution camera (one additional camera available)

## Options

- Second high resolution camera
- Bar code scanner and/or printer
- Access ramps for pallet jack access
- Overhead fifth sensor recommended for dimensioning highly reflective, IR sensitive or black pallet shrink wrap

## Software Integration Tools

- iDimension Desktop Wedge
- Simple API network integration through HTTP requests, status checking and XML parsing
- iDimension SS for storing data, images and transferring data to ERP and WMS systems

## Specifications

### Legal for Trade Measurement Range:

Maximum:  
72 × 72 × 72 in  
(1,829 × 1,829 × 1,829 mm)

Minimum:  
6 × 6 × 6 in  
(152 × 152 × 152 mm)

### Measurement Increment:

0.5 in (1 cm)

### Performance Characteristics:

Weight and dimensions in two seconds or less  
Most surfaces are captured; transparent/translucent and glossy surfaces may provide a variance

### Item Placement:

Centered on floor scale for best performance

### Minimum Pallet Height:

4.25 in (108 mm) wood pallets

### Shapes:

Solid shapes, 3 in (76 mm) protrusions will be included in dimensions

### Lighting Conditions:

Operates in any indoor lighting environment

### Power Requirements:

110 to 240 VAC  
with 25 ft (7.62 m) power cable included

### Operating Temperature:

14 °F to 104 °F (-10 °C to 40 °C)

### Humidity:

0 to 90% non-condensing

### Warranty:

Two-year limited  
Extended warranty available for purchase

### Packaging Dimensions:

Crate 1: 101 × 80 × 30 in; 1,690 lb  
(2,566 × 2,032 × 762 mm)  
Crate 2: 83 × 68 × 35 in; 900 lb  
(2,109 × 1,728 × 889 mm)

### Approvals:

NTEP 19-076  
OIML

## Approvals



## Part Numbers/Price

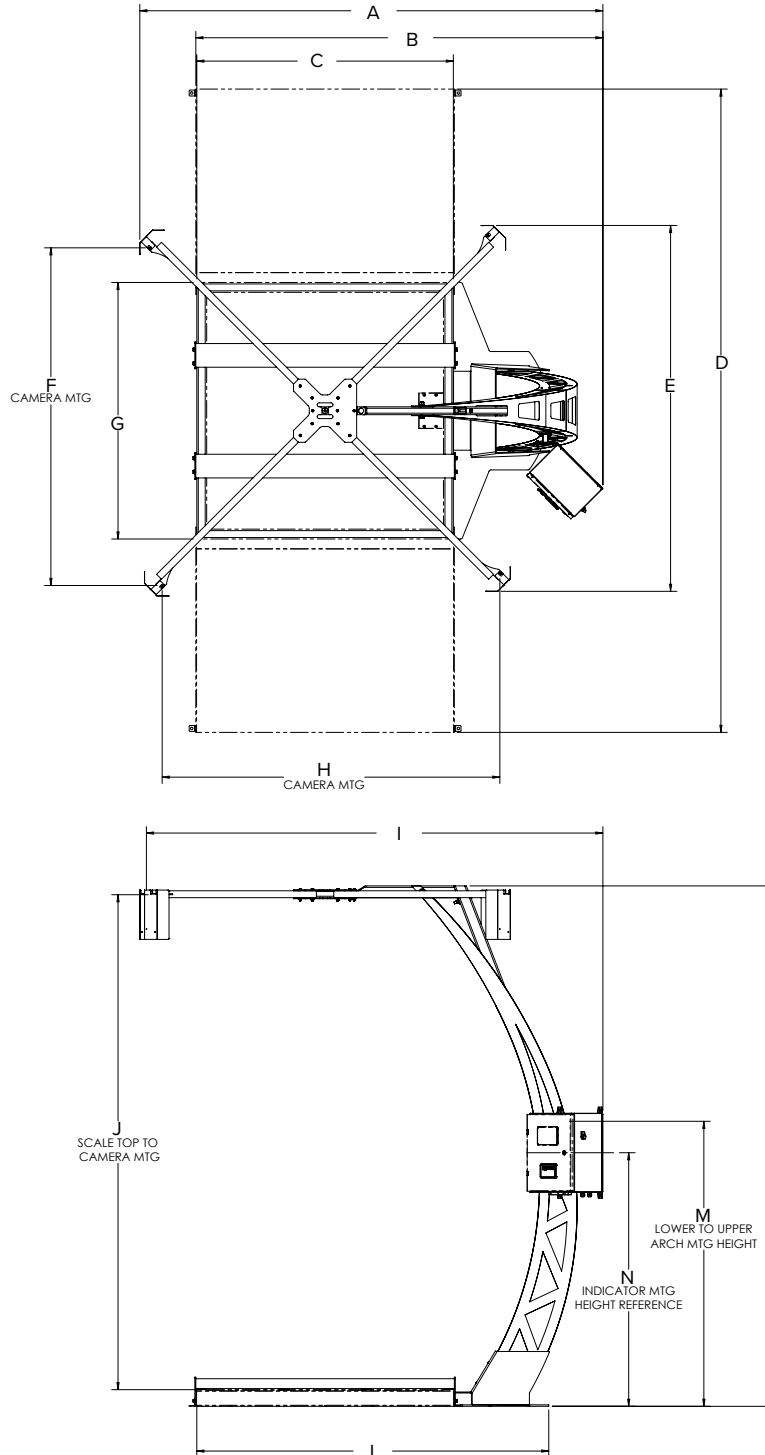
| Part # | Description  | Price   |
|--------|--|---------|
| 199318 | iDimension PWD System, NTEP approved with 5,000 × 1 lb capacity floor scale (Available with OIML approved scale) | Consult |

## Options/Accessories

| Part #   | Description  | Price   |
|--|--|---------|
| <b>System Options</b>                                  |  |         |
| 200168   | Second high resolution 2.4 mm POE network camera                                     | Consult |
| 199665   | iDimension PWD pallet jack ramp  | Consult |
| 199666   | Optional 5th overhead sensor   | Consult |
| 212260   | Kiosk shelf for optional scanner and printer   | Consult |
| <b>Scanner, Printer and Digital Remote I/O Options</b> |  |         |
| 206229   | Wireless Honeywell long-range TCP/IP scanner kit for use with iDimension SS Software | Consult |
| 176307   | QuickScan QD2131 USB barcode scanner   | Consult |
| 192721   | Zebra ZD420D printer, direct thermal   | Consult |
| 37345  | Label, roll 5 in dia, 1 in core  | Consult |
| <b>Optional Integration Solutions</b>                  |  |         |
| 203010*  | iDimension Desktop Wedge (Windows 10 required)                                       | N/C     |
| 175812   | iDimension SS (software suite) web server software (Windows 10 required)             | Consult |
| <b>Factory Service and Support</b>                     |  |         |
| 194215   | Annual licensing fee   | Consult |
| FLD-INSTALL  | iDimension field install and training/day, travel and expenses not included          | Consult |
| 202029   | Hourly rate scheduled integration services remote session                            | Consult |
| <b>Extended Warranty – Two-year standard</b>           |  |         |
| 202033   | iDimension Flex/PWD/LTL additional one-year extended warranty                        | Consult |

## Dimensions

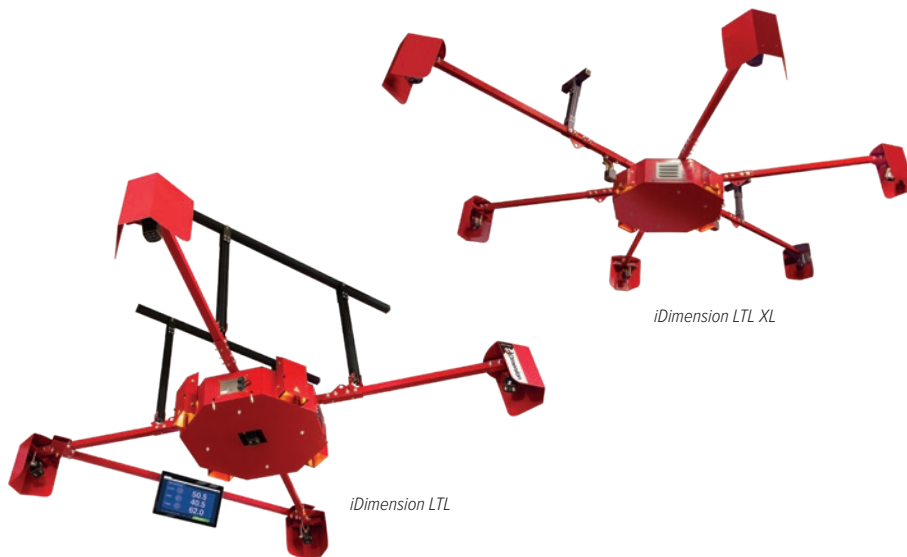
| PWD System |                      |   |                      |   |                      |
|------------|----------------------|---|----------------------|---|----------------------|
| A          | 117.34 in (2,980 mm) | F | 85.56 in (2,173 mm)  | K | 131.86 in (3,349 mm) |
| B          | 103.14 in (2,620 mm) | G | 65.00 in (1,651 mm)  | L | 89.18 in (2,265 mm)  |
| C          | 65.00 in (1,651 mm)  | H | 85.56 in (2,173 mm)  | M | 72.22 in (1,834 mm)  |
| D          | 163.00 in (4,140 mm) | I | 115.66 in (2,938 mm) | N | 64.25 in (1,632 mm)  |
| E          | 92.70 in (2,355 mm)  | J | 125.41 in (3,185 mm) |   |                      |



# iDimension® LTL / LTL XL

Pallet Dimensioning System

DIMENSIONING



iDimension LTL

iDimension LTL XL

## Approvals



## Part Numbers/Price

| Part # | Description       | Price   |
|--------|-------------------|---------|
| 194205 | iDimension LTL    | Consult |
| 202974 | iDimension LTL XL | Consult |

## Options/Accessories

| Mounting Options                                |  |         |
|---|--|---------|
| 188446  | iDim LTL modular install kit   | Consult |
| 205283  | 80/20 ceiling mount kit (25 ft ceiling max)                              | Consult |
| 206007  | iDimension LTL cross bracing, for ceilings 18 to 25 ft                   | Consult |
| 188757  | Aircraft cable ceiling mounting kit (35 ft ceiling max)                  | Consult |
| System Options                                  |  |         |
| 188755  | 2.4 mm POE network camera – second high resolution camera                | Consult |
| 195284  | LED target zone light kit  | Consult |
| 193830  | LTL 21.5 in forklift operator display kit                                | Consult |
| 205286  | LTL-XL 21.5 in commercial forklift operator display kit                  | Consult |
| 206543  | iDimension LTL light tree kit  | Consult |
| 174132  | 50 ft AC power cord  | Consult |
| PC Options                                      |  |         |
| 205073  | 12 in HMI PC and Ram mount kit for desk or wall                          | Consult |
| 202214  | HMI PC overhead Ram mounting kit on iDimensioner LTL                     | Consult |
| 205287  | HMI PC overhead Ram mounting kit on iDimensioner LTL XL                  | Consult |
| 174659  | HMI PC floor stand and guard rail kit                                    | Consult |
| 212433  | 7 in HMI PC and Ram mounting kit for forklift                            | Consult |
| Optional Integration Solutions                  |  |         |
| 203010**  | iDimension Desktop Wedge (Windows 10 required)                           | N/C     |
| 175812  | iDimension SS (software suite) web server software (Windows 10 required) | Consult |
| 201447  | iDimension SS real-time status display desktop app (Stop & Go)           | Consult |
| 201448  | iDimension SS standalone forklift data management web app (Stop & Go)    | Consult |
| Scanner, Printer and Digital Remote I/O Options |  |         |
| 206229  | Wireless Honeywell long-range TCP/IP scanner kit                         | Consult |
| 192721  | Zebra ZD420D printer, direct thermal                                     | Consult |
| 37345   | Label, roll 5 in dia, 1 in core  | Consult |

## Standard Features

- 360° fork truck access for easy pallet placement in the target zone
- Displays dimensions in 0.2 seconds
- Minimal set up and training required
- Bounding box images identify measurement record
- One high resolution camera

## Options

- Second high resolution camera
- Target zone LED light kit
- 23 inch operator display provides instantaneous feedback to the forklift or pallet jack operator
- iDimension SS for storing data and images transferring data to ERP and WMS systems
- Stop/go activation

## Specifications

### Power Requirements:

- 110 to 240 VAC
- 25 ft (7.62 m) power cable included

### Measurement Increment:

- 0.5 in (10 mm)

### Dimensioning Speed:

- Within 2 seconds from trigger to scan complete

### Performance Characteristics:

- Most surfaces are captured, including black plastic shrink wrap. Transparent/translucent and glossy surfaces may provide a variance.

### Stop & Go Measurement

#### Performance Characteristics:

- Stop-trigger-go 2 seconds for Legal for Trade results. Best when used with a Rice Lake Legal for Trade forklift scale.

### Item Placement:

- Single pallet within the center of the target zone for best performance

### Minimum Pallet Height:

- 4.25 in (108 mm) wood pallets

### Minimum Ceiling Height:

- 12.75 ft

### Shapes:

- Solid shapes, 3 in (76 mm) protrusions will be included in dimensions

### Lighting Conditions:

- Operates in any indoor lighting environment

### Legal for Trade Measurement Range:

- (L × W × H)
- Maximum freight size: 96 × 96 × 96 in (2,438 × 2,438 × 2,438 mm)
- Minimum freight size: 12 × 12 × 12 in (305 × 305 × 305 mm)

### Operating Temperature:

- 14 °F to 104 °F (-10 °C to 40 °C)

### Humidity:

- 0 to 90% non-condensing

### Warranty:

- Two-year limited
- Sensors: five-year limited (extended warranty available for purchase)

### Approvals:

- NTEP 19-076
- OIML
- MID
- FCC
- CE

## Part Numbers/Price

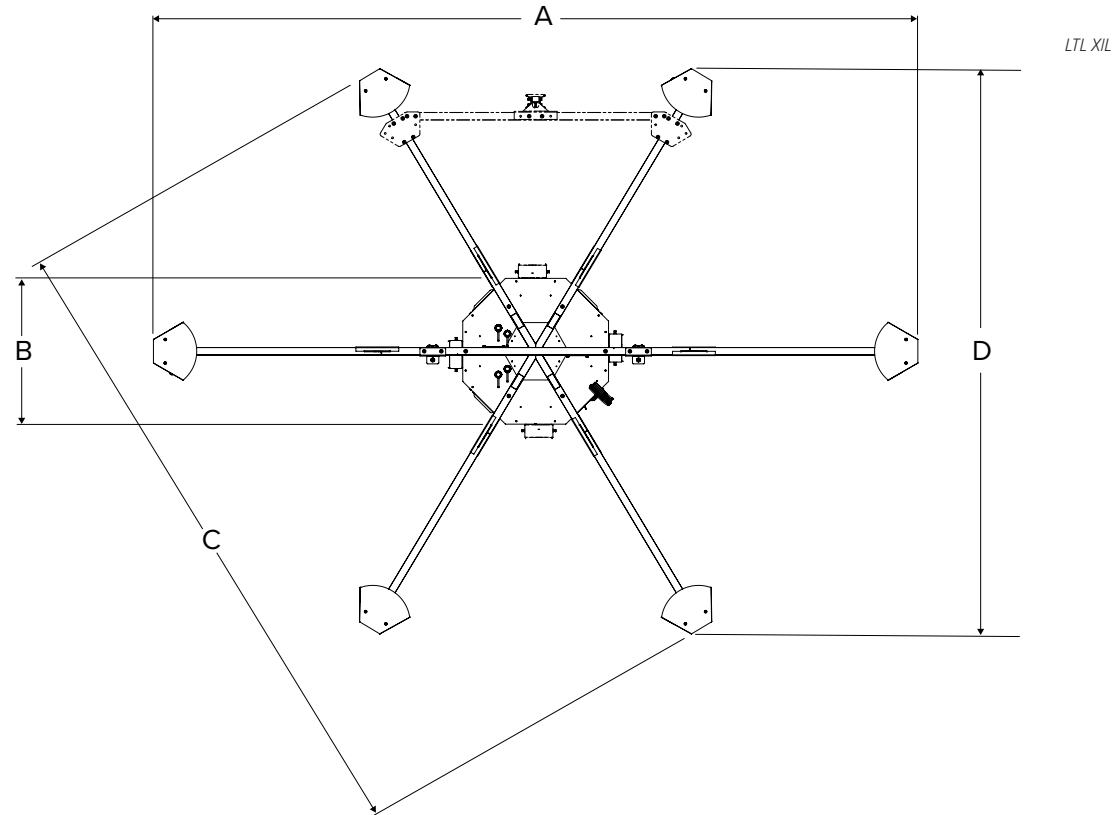
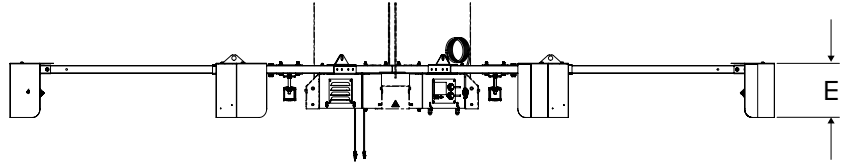
| Part #                                       | Description  | Price   |
|--|--|---------|
| <b>iDimension LTL Stop and Go</b>            |  |         |
| 198480                                       | Stop/go activation license key   | Consult |
| 212337                                       | Universal Class II forklift carriage 34 in Stop & GO reflector plate (Not for Yale forklifts)  | Consult |
| 193858                                       | Rice Lake CLS forklift scale Stop & GO reflector plate   | Consult |
| <b>Floor Scale Options</b>                   |  |         |
| 213921                                       | RoughDeck floor scale, 5 x 5 ft HP, 5,000 lb, flat black paint, NTEP Certified   | Consult |
| 214187                                       | RoughDeck floor scale, 5 x 5 ft HC, 2,500 kg, flat black paint, Measurement Canada Certified   | Consult |
| 213922                                       | RoughDeck floor scale 5 x 7 ft HP, 5,000 lb, flat black paint, NTEP Certified  | Consult |
| 86820  | Bumper guard, HP 7 ft  | Consult |
| 86873  | Bumper guard, HP 5 ft  | Consult |
| 213999                                       | RoughDeck ramp, 5 ft   | Consult |
| 200183                                       | 680 Plus Indicator, LED display, 115 to 230 VAC with RJ45, US power cord. Alternately, choose a Rice Lake 880 or 1280 for automation applications. | Consult |
| <b>Factory Service and Support</b>           |  |         |
| 194215                                       | Annual software maintenance  | Consult |
| FLD-INSTALL                                  | iDimension field install and training/day, travel and expenses not included  | Consult |
| 202029                                       | Hourly rate scheduled integration services remote session  | Consult |
| <b>Extended Warranty – Two-year standard</b> |  |         |
| 202033                                       | iDimension PWD/LTL additional one-year extended warranty   | Consult |

\*Requires factory support and training on first installation of iDimension LTL

\*\*Available for free download at [www.ricelake.com](http://www.ricelake.com)

## Dimensions -

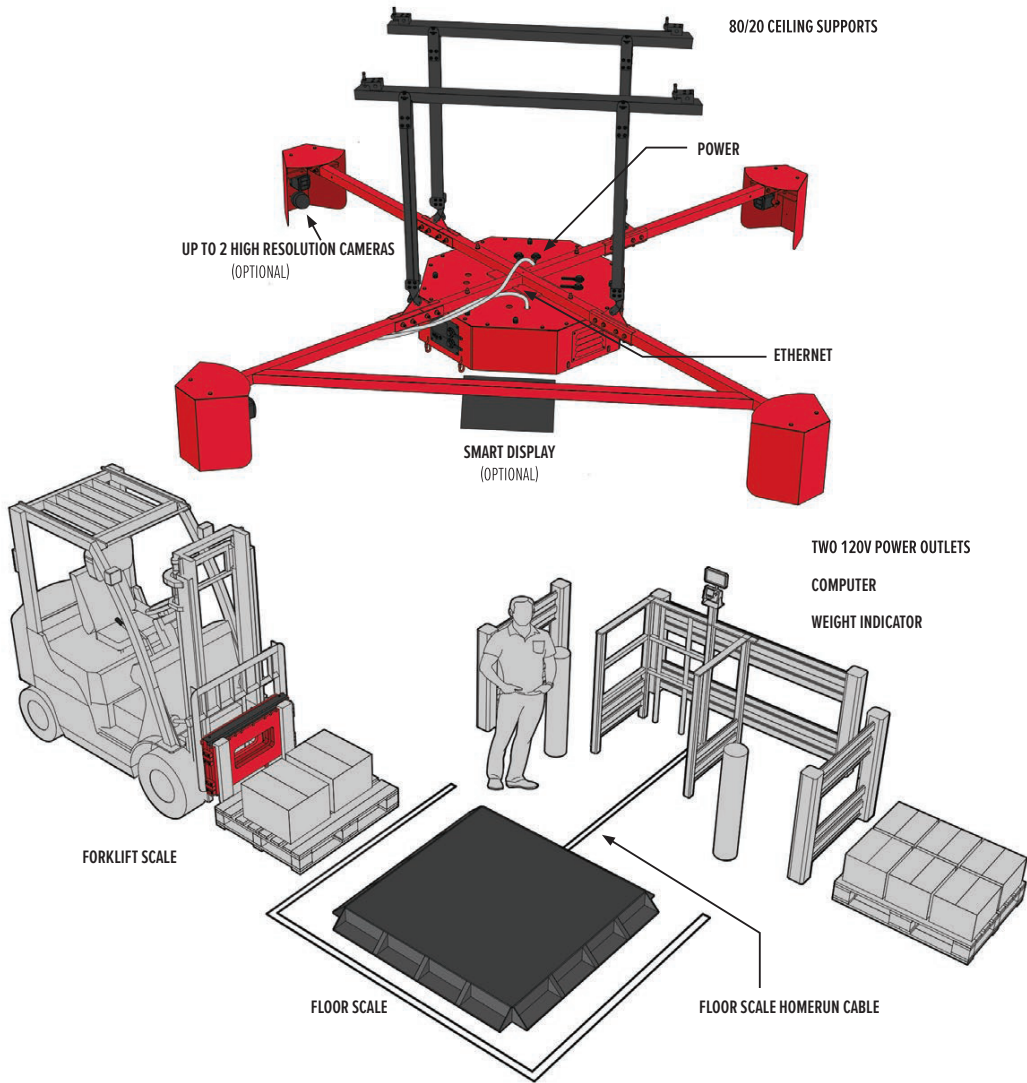
| iDimension LTL XL |                      |
|-------------------|----------------------|
| A                 | 178.28 in (4,528 mm) |
| B                 | 34.00 in (864 mm)    |
| C                 | 150.44 in (3,821 mm) |
| D                 | 131.83 in (3,348 mm) |
| E                 | 12.64 in (321 mm)    |



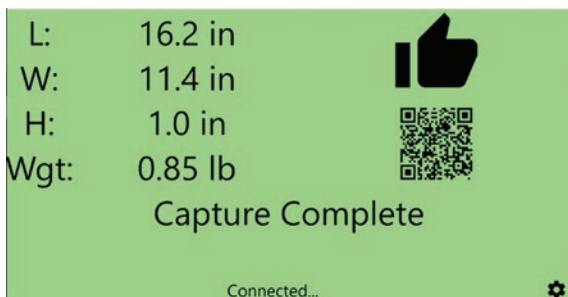
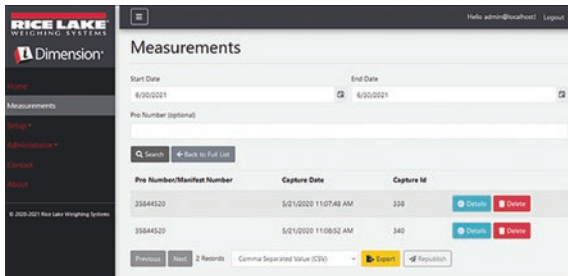
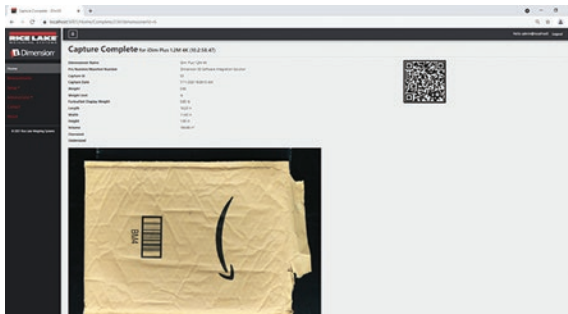
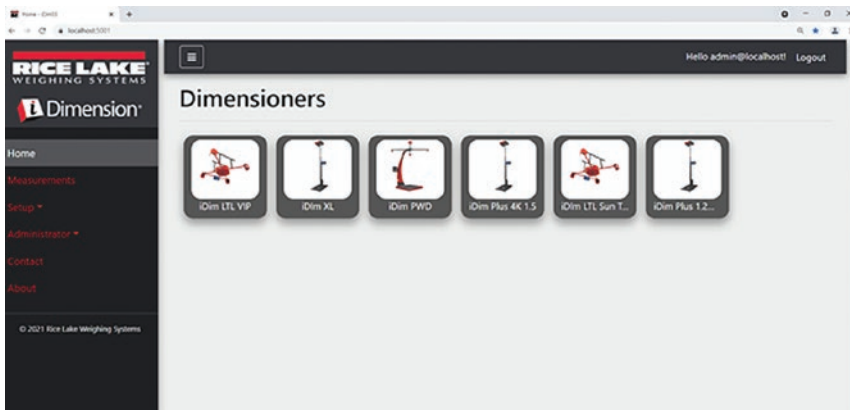
# iDimension® LTL / LTL XL

Pallet Dimensioning System

DIMENSIONING



## System Overview



iDimension SS is a robust, dynamic application for managing scan data captured by iDimension Dimensioning Solutions.

### Standard Features

- Real-time data access and triggering via REST API Swagger API development toolkit included
- Supported peripherals include bar code scanners and label printers
- Measurement database – configurable for capturing and transferring:
  - Identification #, i.e. Pro or sales order number
  - Dimensions L x W x H
  - Scale or manual keyboard entry weight
  - Volume
  - Three configurable user fields
  - Color high resolution images
  - Bounding box images
  - Volumetric conversion
  - Email notification alerts
  - Error logging
- Digital remote I/O configuration for use with PLCs
- Shipping method analyzer for girth and volume analysis thresholds in conjunction with the iDimension SS real-time display desktop application
- Local data storage
- Automatic data export, options include FTP and SMB, configurable
- Data export, including image format composition and annotations available in data export provides output in CSV, JSON, XML and TXT file formats
- QR code display for alternate input into MRP, TMS and WMS systems
- Error logging with high resolution image capture
- Role-based security model protects data and prevents unwanted configuration changes
- Comprehensive application log files available to download
- Forklift database for use with Stop & Go

*SQLite database maximum size capabilities is dependent upon file system type.*

### System Requirements

- Windows 10 build 1607 or newer (64-bit only)
- 2.0 GHz processor or faster
- 250 MB hard disk space needed for install
- 8 GB RAM or greater
- Ethernet TCP/IP communication to dimensioning devices plus optional scanners, printers and Rice Lake Weighing 680, 880 and 1280 scale indicators
- A supported web browser (Chrome, Microsoft Edge, Firefox, Safari)

### Part Numbers/Price

| Part #    | Description  | Price   |
|-----------|--|---------|
| 203010*** | iDimension Desktop Wedge (Windows 10 required)                           | N/C     |
| 175812    | iDimension SS (software suite) web server software (Windows 10 required) | Consult |
| 201447    | iDimension SS real-time status display desktop app (stop & go)           | Consult |
| 201448    | iDimension SS standalone forklift data management web app (stop & go)    | Consult |

\*\*\* Available for free download at [www.ricelake.com](http://www.ricelake.com)

