

# Bench Scales

## TABLE OF CONTENTS

<b>BENCHMARK® SL</b> .....	28
<b>CW-80B</b> .....	30
<b>CW-80B</b> .....	31
<b>BENCHMARK® SL/HE</b> .....	32
<b>CW-90B</b> .....	34
<b>CW-90XB</b> .....	35
<b>BENCHMARK® MS</b> .....	36
<i>Mild Steel, 12 x 12 inch</i>	
<b>BENCHMARK® MS</b> .....	38
<i>Mild Steel, 12 x 18 inch</i>	
<b>BENCHMARK® MS</b> .....	40
<i>Mild Steel, 18 x 18 inch</i>	
<b>BENCHMARK® MS</b> .....	42
<i>Mild Steel, 18 x 24 inch</i>	
<b>BENCHMARK® MS</b> .....	44
<i>Mild Steel, 24 x 24 inch</i>	
<b>BENCHMARK® SINGLE POINT</b> .....	46
<i>18 x 18 in &amp; 18 x 24 in &amp; 24 x 24 in Mild and Stainless Steel</i>	
<b>BENCHMARK® HE-X</b> .....	50
<i>12 x 18 inch</i>	
<i>18 x 18 inch</i>	
<b>BENCHMARK® HE-X</b> .....	54
<i>18 x 24 inch</i>	
<i>24 x 24 inch</i>	
<b>BENCHMARK® LP</b> .....	58
<i>18 x 18 in or 24 x 24 in 100 lb/250 lb/500 lb</i>	
<b>BENCHMARK® HD</b> .....	59
<b>DIGI®</b> .....	60
<b>BENCHMARK® HDP</b> .....	61
<i>Wheel Model</i>	
<b>BENCHMARK® HDP</b> .....	62
<i>Caster Model</i>	
<b>BENCHPRO™ BP-P, BP-S, BP-R</b> .....	64
<i>Caster Model</i>	
<b>VERSA-PORION®</b> .....	65
<b>DIGI® DS-160</b> .....	66
<b>DIGI® DS-520</b> .....	67
<b>ISHIDA</b> .....	68
<b>ISHIDA IPC</b> .....	70
<b>ISHIDA IGX &amp; IGB</b> .....	74
<b>BENCHMARK® MOBILE CARTS</b> .....	76

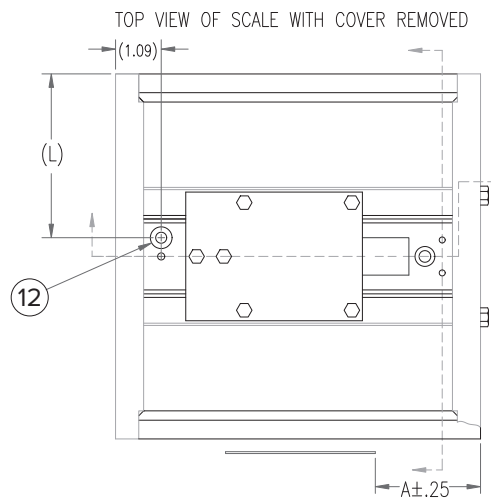
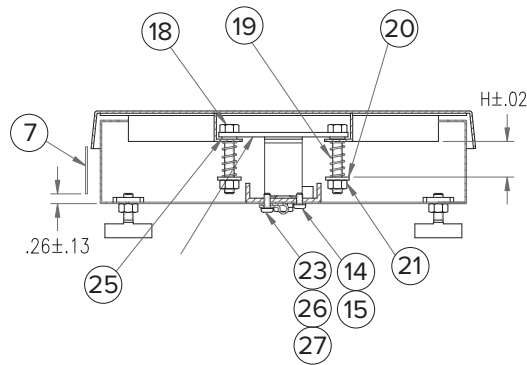
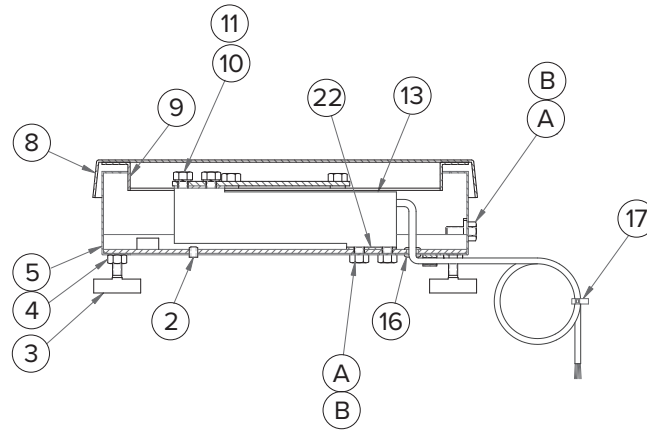
# BenchMark® SL



## Part Number/Price

Ref#	Part#	Description	Price
	<b>22125</b>	Operating manual	Consult
2	<b>14920</b>	Screw, overload protection, 8-32 UNC x 1/4, SS	Consult
3	<b>35128</b>	Foot, 1/4-20 NC x 1 3/16 SS	Consult
4	<b>14645</b>	Nut, jam, 1/4-20 NC, hex	Consult
5	<b>19086</b>	Bottom sub-assembly 10 in x 10 in	Consult
5	<b>35066</b>	Bottom sub-assembly 12 in x 12 in	Consult
7	<b>52342</b>	Label, bench scale	Consult
8	<b>19091</b>	Cover, top, 10 in x 10 in	Consult
8	<b>35069</b>	Cover, top, 12 in x 12 in	Consult
9	<b>19088</b>	Spider, top, 10 in x 10 in	Consult
9	<b>35068</b>	Spider, top, 12 in x 12 in	Consult
10	<b>15148</b>	Washer, locking	Consult
11	<b>21948</b>	Screw, load cell	Consult
12	<b>15410</b>	Spirit level bubble, plastic	Consult
13	<b>91729</b>	Load cell, RLSP4-30kg (2 lb model) 10 in x 10 in	Consult
13	<b>40682</b>	Load cell, 1042-5kg (5 lb model) 10 in x 10 in	Consult
13	<b>91726</b>	Load cell, RLSP4-10kg (10 lb model) 10 in x 10 in	Consult
13	<b>91728</b>	Load cell, RLSP4-20kg (20 lb model) 10 in x 10 in	Consult
13	<b>91729</b>	Load cell, RLSP4-30kg (30 lb model) 10 in x 10 in/12 in x 12 in	Consult
13	<b>91730</b>	Load cell, RLSP4-50kg (50 lb model) 12 in x 12 in	Consult
13	<b>91732</b>	Load cell, RLSP4- 100kg (100 lb model) 12 in x 12 in	Consult
14	<b>15132</b>	Washer, locking, # 8 SS	Consult
15	<b>14857</b>	Screw, pan head	Consult
16	<b>15408</b>	Grommet, rubber, 3/16 ID x 1/2 OD	Consult
17	<b>16141</b>	Cable tie	Consult
18	<b>14984</b>	Cap screw (2 lb-20 lb models)	Consult
18	<b>21947</b>	Cap screw (30 lb model)	Consult
18	<b>35199</b>	Cap screw (50 lb-100 lb models)	Consult
19	<b>15412</b>	Spring, overload (2 lb model)	Consult
19	<b>21945</b>	Spring, overload (5 lb model)	Consult
19	<b>15416</b>	Spring, overload (10 lb model)	Consult
19	<b>21946</b>	Spring, overload (20 lb model)	Consult
19	<b>21944</b>	Spring, overload (30 lb model)	Consult
19	<b>35086</b>	Spring, overload (50 lb model)	Consult
19	<b>35200</b>	Spring, overload (100 lb model)	Consult
20	<b>15149</b>	Washer, flat, 1/4 Type A, SS	Consult
21	<b>14634</b>	Nut, lock, 1/4-20 NC, hex, SS	Consult
22	<b>19089</b>	Load cell shim, SS	Consult
23	<b>15409</b>	Clamp, nylon cable	Consult
24	<b>19090</b>	Load plate (2 lb-30 lb, 10 in x 10 in)	Consult
24	<b>35067</b>	Load plate (30 lb-100 lb, 12 in x 12 in)	Consult
25	<b>15150</b>	Washer, rubber	Consult
26	<b>15138</b>	Washer no. 8	Consult
27	<b>14862</b>	Screw, Mach, 8-32 NC x 3/8, SS	Consult

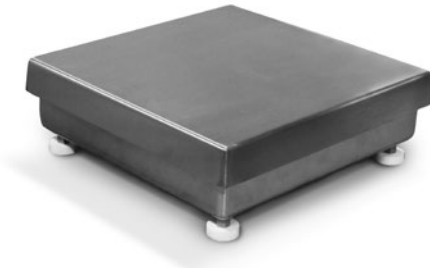
(See diagram BenchMark SL-A)



*BenchMark SL-A*

Bench Scales

BENCH SCALES  
**CW-80B**

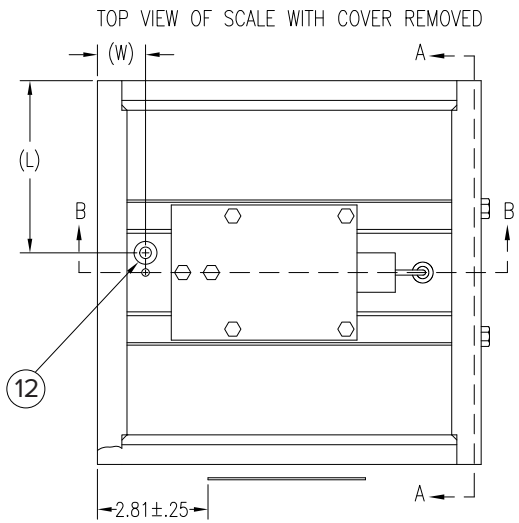
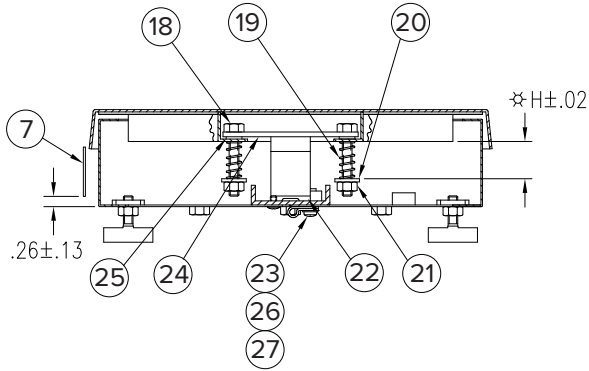
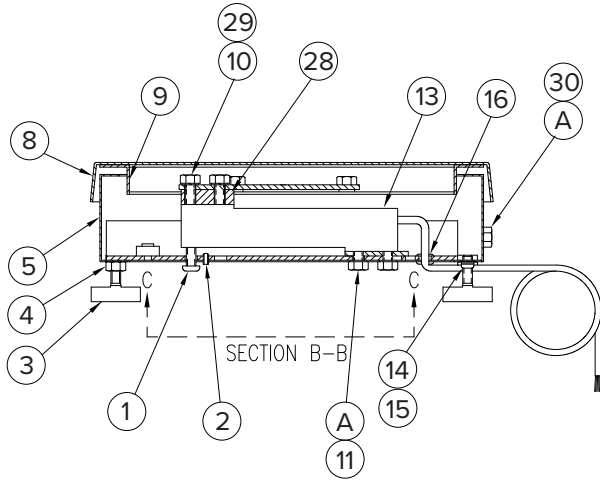


**Part Number/Price**

Ref #	Part #	Description	Price
	<b>200150</b>	Technical manual	Consult
1	<b>35087</b>	Cap screw	Consult
2	<b>14920</b>	Screw, overload protection, 8-32 UNC x 1/4, SS	Consult
3	<b>35128</b>	Foot, 1/4-20 NC x 1 3/16 SS	Consult
4	<b>14645</b>	Nut, jam, 1/4-20 NC, hex	Consult
5	<b>19086</b>	Bottom sub-assembly 10 in x 10 in	Consult
5	<b>35066</b>	Bottom sub-assembly 12 in x 12 in	Consult
7	<b>52342</b>	Label, bench scale	Consult
8	<b>19091</b>	Cover, top, 10 in x 10 in	Consult
8	<b>35069</b>	Cover, top, 12 in x 12 in	Consult
9	<b>19088</b>	Spider, top, 10 in x 10 in	Consult
9	<b>35068</b>	Spider, top, 12 in x 12 in	Consult
10	<b>15148</b>	Washer, locking	Consult
11	<b>14963</b>	Overload screw, 1/4-20 NC x 3/4	Consult
12	<b>15410</b>	Spirit level bubble, plastic	Consult
13	<b>30783</b>	Load cell, RL1380-7kg (6 lb model) 10 in x 10 in	Consult
13	<b>30782</b>	Load cell, RL1380-10kg (10 lb model) 10 in x 10 in	Consult
13	<b>30781</b>	Load cell, RL1380-15kg (15 lb model) 10 in x 10 in	Consult
13	<b>30780</b>	Load cell, RL1380-30kg (30 lb model) 10 in x 10 in / 12 in x 12 in	Consult
13	<b>30779</b>	Load Cell, RL1380-60kg (60 lb model) 12 in x 12 in	Consult
14	<b>15132</b>	Washer, locking, #8 SS	Consult
15	<b>14857</b>	Screw, pan head	Consult
16	<b>15408</b>	Grommet, rubber, 3/16 ID x 1/2 OD	Consult
18	<b>14984</b>	Cap screw (6 lb to 15 lb 10 x 10 in / 60 lb 12 x 12 in)	Consult
18	<b>21947</b>	Cap screw (30 lb models)	Consult
19	<b>21945</b>	Spring, overload (6 lb and 10 lb model)	Consult
19	<b>21946</b>	Spring, overload (15 lb model)	Consult
19	<b>21944</b>	Spring, overload (30 lb models)	Consult
19	<b>35086</b>	Spring, overload (60 lb model)	Consult
20	<b>15149</b>	Washer, flat, 1/4 Type A, SS	Consult
21	<b>14634</b>	Nut, lock, 1/4-20 NC, hex, SS	Consult
22	<b>35082</b>	Top shim, load cell	Consult
23	<b>15409</b>	Clamp, nylon cable	Consult
24	<b>19090</b>	Load plate, 10 in x 10 in	Consult
24	<b>35067</b>	Load plate, 12 in x 12 in	Consult
25	<b>15150</b>	Washer, rubber	Consult
26	<b>15138</b>	Washer, plain, STD no. 8	Consult
27	<b>14862</b>	Screw, Mach, 8-32 NC x 3/8, SS	Consult
28	<b>30909</b>	Load cell shim	Consult
29	<b>35088</b>	Screw, Cap 1/4-20 NC x 1, SS	Consult
30	<b>14956</b>	Screw, Cap 1/4-20 NC x 1/2, hex, SS	Consult

(See diagram XXXX)

BENCH SCALES  
**CW-80B**



Bench Scales

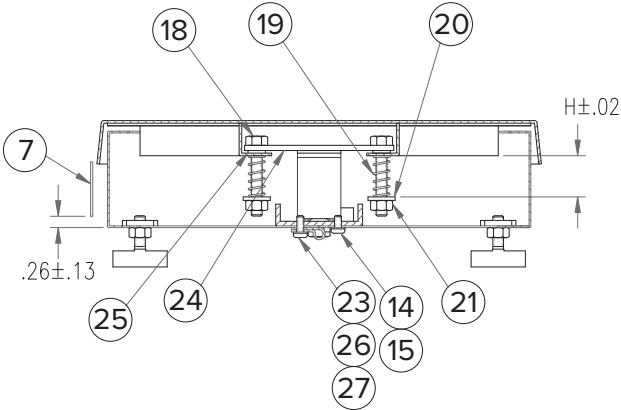
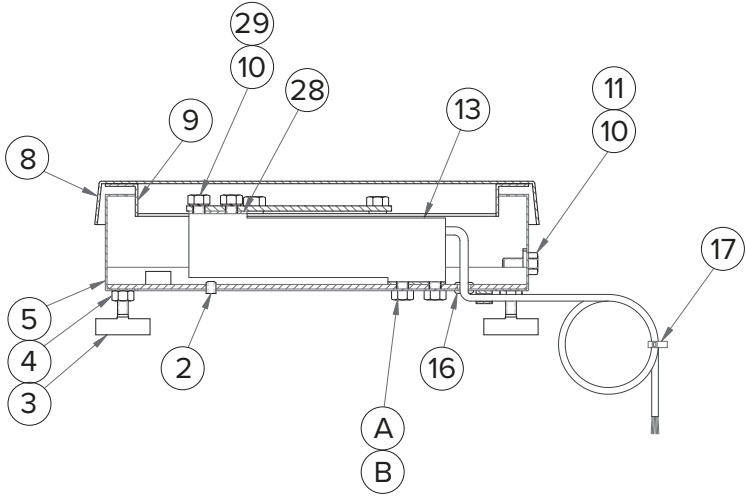
# BenchMark® SL/HE



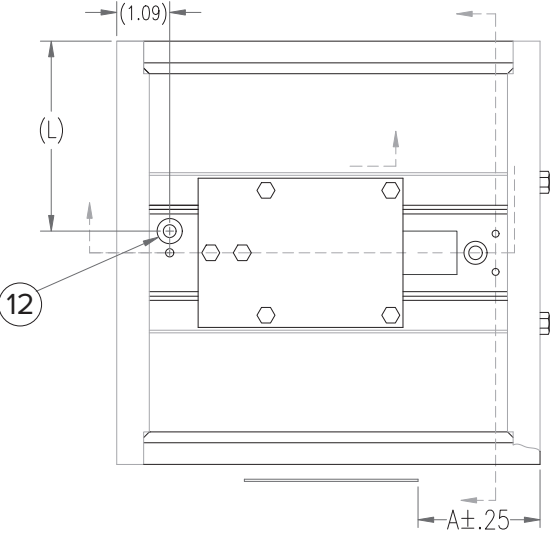
## Part Number/Price

Ref#	Part#	Description	Price
	<b>22125</b>	Operating manual	Consult
2	<b>14920</b>	Screw, overload protection, 8-32UNC x 1/4, SS	Consult
3	<b>35128</b>	Foot, 1/4-20 NC x 1 3/16 SS	Consult
4	<b>14645</b>	Nut, jam, 1/4-20 NC, hex	Consult
5	<b>19086</b>	Bottom sub-assembly 10 in x 10 in	Consult
5	<b>35066</b>	Bottom sub-assembly 12 in x 12 in	Consult
7	<b>52342</b>	Label, bench scale	Consult
8	<b>19091</b>	Cover, top, 10 in x 10 in	Consult
8	<b>35069</b>	Cover, top, 12 in x 12 in	Consult
9	<b>19088</b>	Spider, top, 10 in x 10 in	Consult
9	<b>35068</b>	Spider, top, 12 in x 12 in	Consult
10	<b>15148</b>	Washer, locking	Consult
11	<b>21948</b>	Screw, load cell	Consult
12	<b>15410</b>	Spirit level bubble, plastic	Consult
13	<b>108685</b>	Load cell, RLPWM15HE-10 kg (5 lb and 10 lb model)	Consult
13	<b>108686</b>	Load cell, RLPWM15HE-20 kg (20 lb and 30 lb model)	Consult
13	<b>108687</b>	Load cell, RLPWM15HE-50 kg (50 lb model)	Consult
13	<b>108688</b>	Load cell, RLPWM15HE-100 kg (100 lb model)	Consult
14	<b>15132</b>	Washer, locking, # 8 SS	Consult
15	<b>14857</b>	Screw, pan head	Consult
16	<b>15408</b>	Grommet, rubber, 3/16 ID x 1/2 OD	Consult
17	<b>16141</b>	Cable tie	Consult
18	<b>14984</b>	Cap screw (5 lb to 20 lb model)	Consult
18	<b>21947</b>	Cap screw (30 lb models)	Consult
18	<b>35199</b>	Cap screw (50 lb to 100 lb model)	Consult
19	<b>21945</b>	Spring, overload (5 lb model)	Consult
19	<b>15416</b>	Spring, overload (10 lb model)	Consult
19	<b>21946</b>	Spring, overload (20 lb model)	Consult
19	<b>21944</b>	Spring, overload (30 lb models)	Consult
19	<b>35086</b>	Spring, overload (50 lb model)	Consult
19	<b>35200</b>	Spring, overload (100 lb model)	Consult
20	<b>15149</b>	Washer, flat, 1/4 Type A, SS	Consult
21	<b>14634</b>	Nut, lock, 1/4-20 NC, hex, SS	Consult
22	<b>92168</b>	Washer, lock M6 SS	Consult
23	<b>15409</b>	Clamp, nylon cable	Consult
24	<b>19090</b>	Load plate 10 in x 10 in	Consult
24	<b>35067</b>	Load plate 12 in x 12 in	Consult
25	<b>15150</b>	Washer, rubber	Consult
26	<b>15138</b>	Washer, plain, STD no. 8	Consult
27	<b>14862</b>	Screw, Mach, 8-32 NC x 3/8, SS	Consult
28	<b>19089</b>	Load cell shim, SS	Consult
29	<b>15108</b>	Screw, Cap M6 x 16 hex, SS	Consult

BENCH SCALES  
**BenchMark® SL/HE**

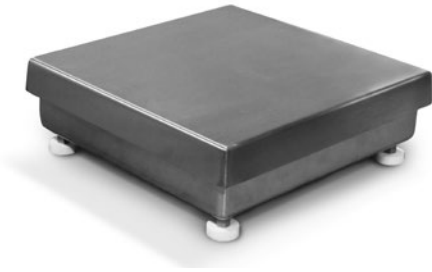


TOP VIEW OF SCALE WITH COVER REMOVED



Bench Scales

BENCH SCALES  
**CW-90B**

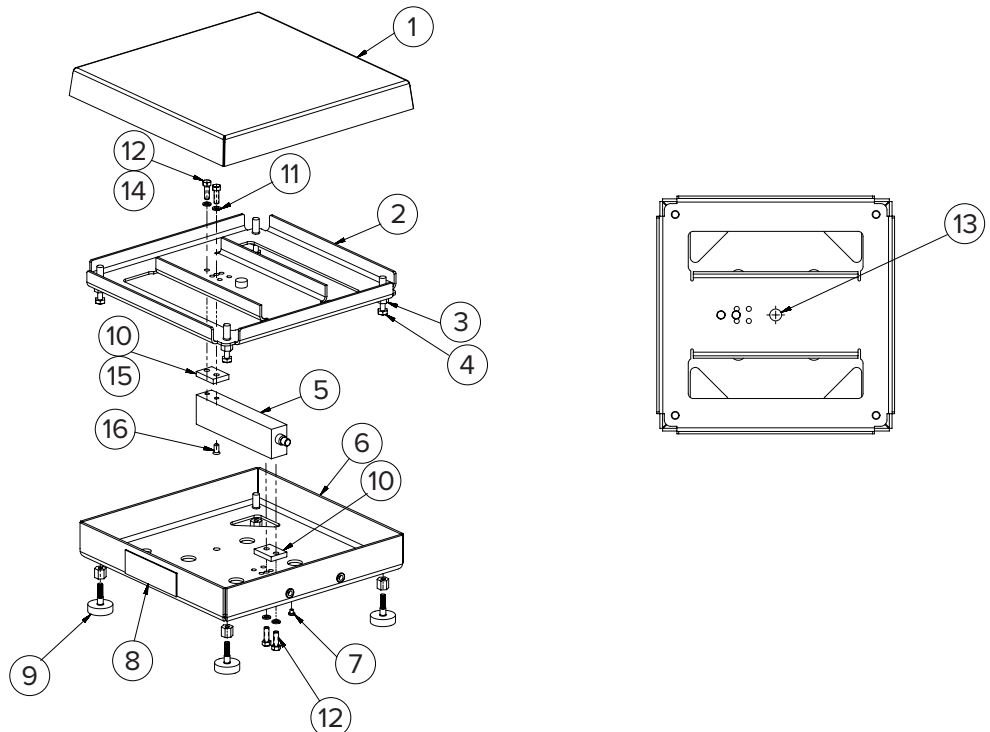


**Part Number/Price**

Ref #	Part #	Description	Price
	<b>200153</b>	Technical manual	Consult
1	<b>107144</b>	Cover, 10 × 10 in	Consult
1	<b>105457</b>	Cover, 12 × 12 in	Consult
2	<b>107140</b>	Spider Plate, 10 × 10 in	Consult
2	<b>105450</b>	Spider Plate, 12 × 12 in	Consult
3	<b>105555</b>	Coupling nut 1/4-20NC x 0.48, hex SS	Consult
4	<b>106462</b>	Screw, cap 1/4-20NC x 1-1/2 hex SS	Consult
5	<b>32860</b>	Load cell, RL1040-7kg (5 lb model)	Consult
5	<b>32861</b>	Load cell, RL1040-10kg (10 lb model)	Consult
5	<b>32864</b>	Load cell, RL1040-30kg (25 lb models)	Consult
5	<b>188679</b>	Load cell, RL42018A-50kg (50 lb model)	Consult
5	<b>188681</b>	Load cell, RL42018A-100kg (100 lb model)	Consult
6	<b>107142</b>	Base plate, 10 × 10 in	Consult
6	<b>105452</b>	Base plate, 12 × 12 in	Consult
7	<b>45329</b>	Screw, mach 8-32NC x 3/16 SS	Consult
8	<b>52342</b>	Label, bench scale	Consult
9	<b>107476</b>	Bench scale foot	Consult
10	<b>52383</b>	Load cell shim	Consult
11	<b>15148</b>	Washer, locking	Consult
12	<b>14963</b>	Overload screw, 1/4-20NC x 3/4	Consult
13	<b>15410</b>	Spirit level bubble, plastic	Consult
14	<b>21948</b>	Screw, load cell	Consult
15	<b>35082</b>	Top shim, load cell	Consult
16	<b>163794</b>	Cap screw 1/4-20NF x 1/2, flat SS (5 lb to 25 lb models)	Consult
16	<b>14960</b>	Cap screw 1/4-20NC x 1/2, hex SS (50 lb to 100 lb models)	Consult

(See diagram XXXXX)

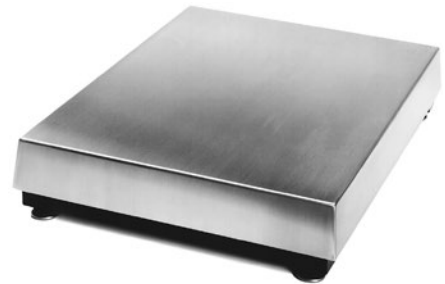
<b>CW-90B</b>		
<b>Cable length: 34 in</b>		
<b>107756</b>	Load cell, RL1040 - 7 kg (5 lb scale)	Consult
<b>107757</b>	Load cell, RL1040 - 10 kg (10 lb scale)	Consult
<b>107758</b>	Load cell, RL1040 - 30 kg (25 lb scale)	Consult
<b>107759</b>	Load cell, RL1040 - 50 kg (50 lb scale)	Consult
<b>107760</b>	Load cell, RL1040 - 100 kg (100 lb scale)	Consult



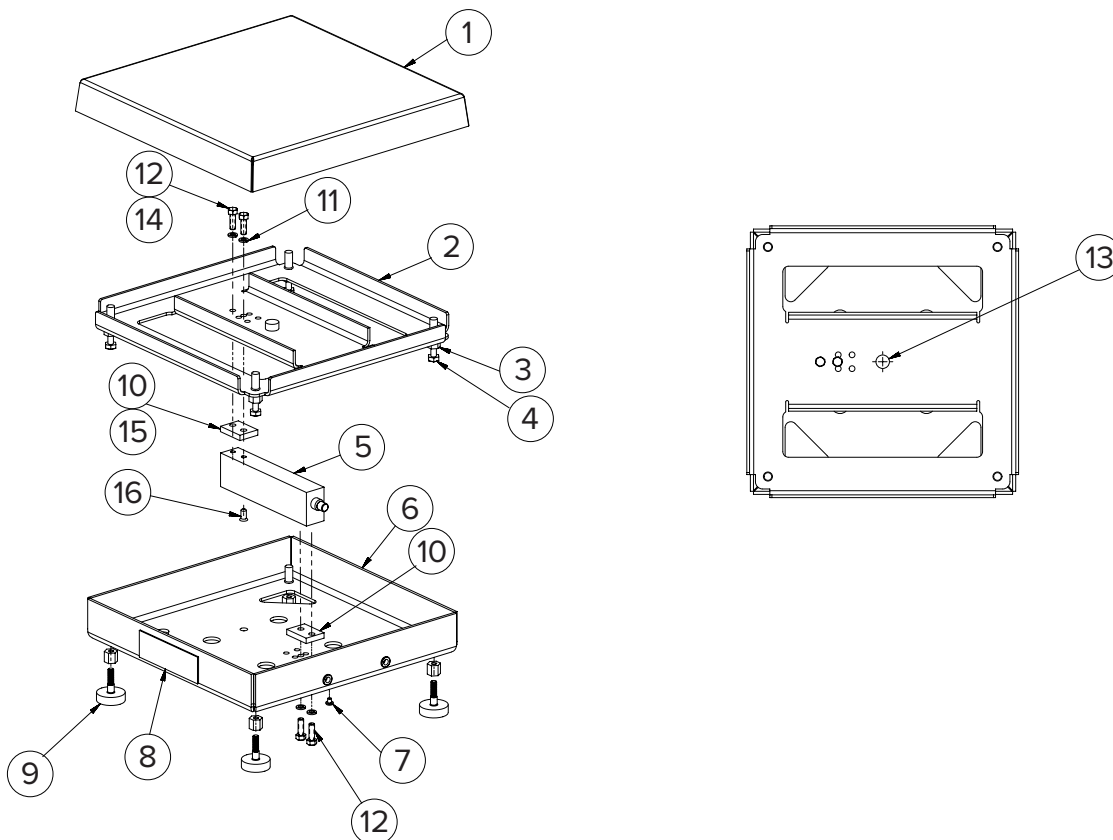


**Part Number/Price**

Ref #	Part #	Description	Price
	<b>200153</b>	Technical manual	Consult
1	<b>107144</b>	Cover, 10 × 10 in	Consult
1	<b>105457</b>	Cover, 12 × 12 in	Consult
2	<b>107140</b>	Spider Plate, 10 × 10 in	Consult
2	<b>105450</b>	Spider Plate, 12 × 12 in	Consult
3	<b>105555</b>	Coupling nut 1/4-20NC x 0.48, hex SS	Consult
4	<b>106462</b>	Screw, cap 1/4-20NC x 1-1/2 hex SS	Consult
5	<b>108685</b>	Load cell, RLPWM15HE-10kg (5 lb and 10 lb models)	Consult
5	<b>108686</b>	Load cell, RLPWM15HE-20kg (25 lb models)	Consult
5	<b>108688</b>	Load cell, RLPWM15HE-100kg (50 lb and 100 lb models)	Consult
6	<b>107142</b>	Base plate, 10 × 10 in	Consult
6	<b>105452</b>	Base plate, 12 × 12 in	Consult
7	<b>45329</b>	Screw, mach 8-32NC x 3/16 SS	Consult
8	<b>52342</b>	Label, bench scale	Consult
9	<b>107476</b>	Bench scale foot	Consult
10	<b>52383</b>	Load cell shim	Consult
11	<b>92168</b>	Lock washer M6 6mm SS	Consult
12	<b>85624</b>	Cap screw M6 full thread SS85	Consult
13	<b>15410</b>	Spirit level bubble, plastic	Consult
14	<b>21948</b>	Screw, load cell	Consult
15	<b>35082</b>	Top shim, load cell	Consult
16	<b>213084</b>	Cap screw M6 flat SS	Consult



<b>CW-90XB</b>		
<b>Cable length: 34 in</b>		
<b>107174</b>	Load cell, RLPWM15HE - 10 kg (5 lb and 10 lb scale)	Consult
<b>107175</b>	Load cell, RLPWM15HE - 20 kg (25 lb scale)	Consult
<b>107176</b>	Load cell, RLPWM15HE - 50 kg (50 lb scale)	Consult
<b>107177</b>	Load cell, RLPWM15HE - 100 kg (100 lb scale)	Consult

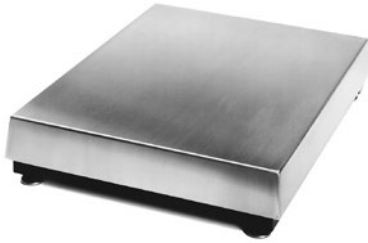


**Bench Scales**

BENCH SCALES

# BenchMark® MS

Mild Steel, 12 x 12 inch

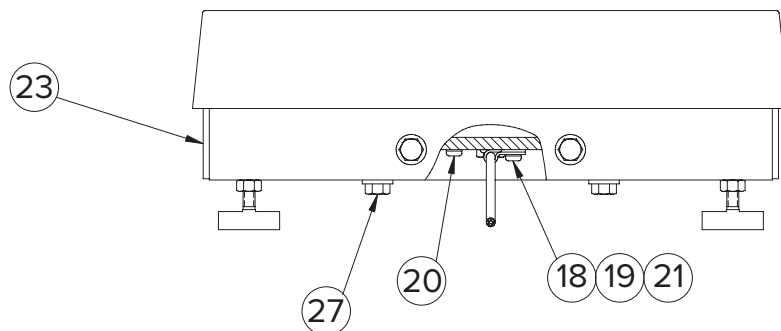
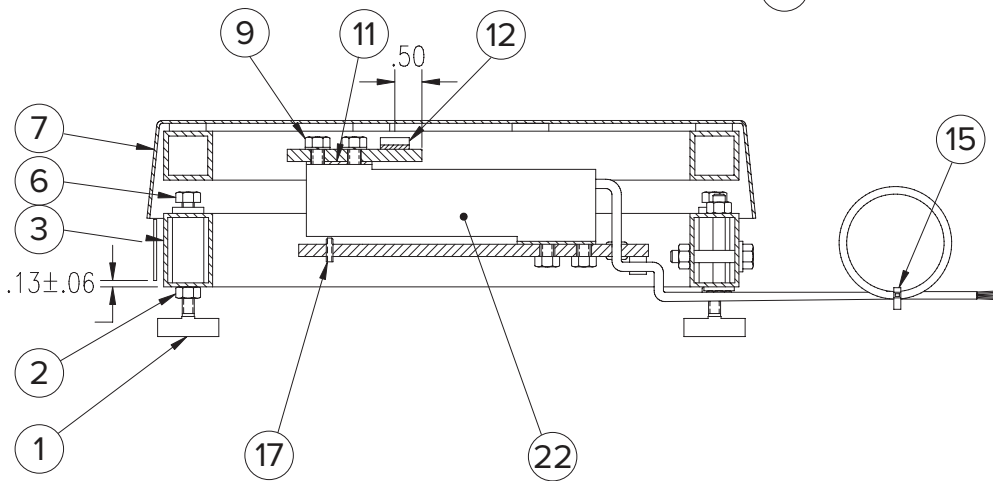
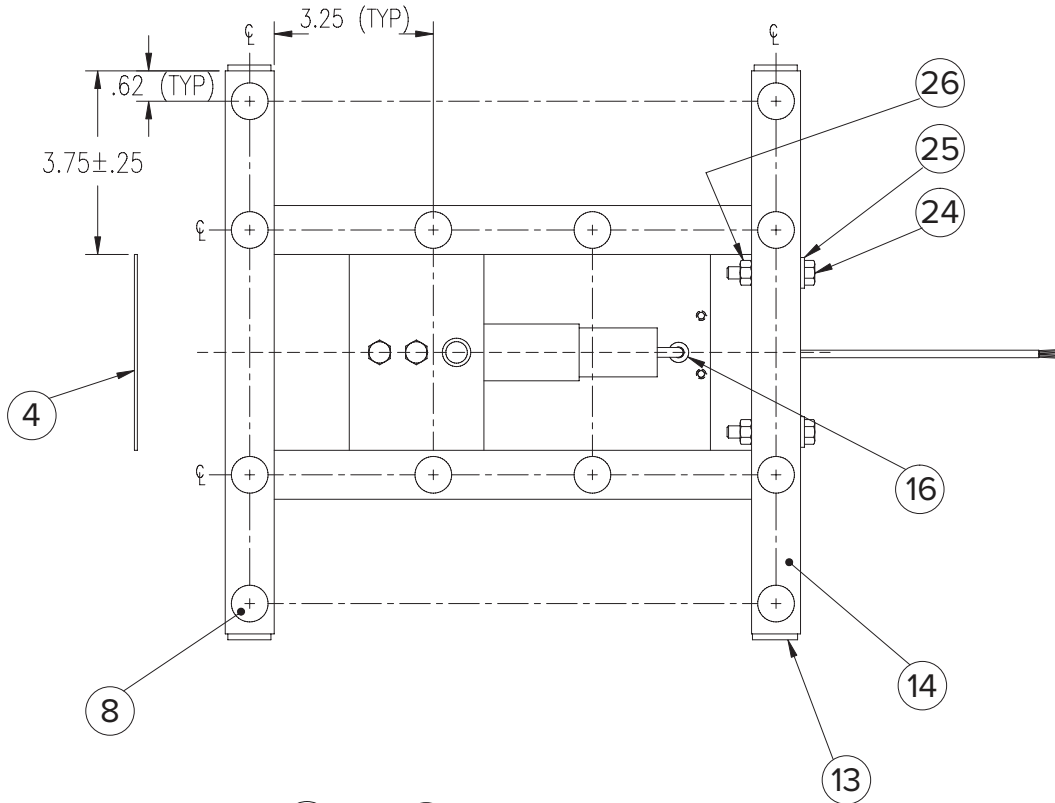


## Part Number/Price

Ref#	Part#	Description	Price
	<b>22125</b>	Benchmark manual	Consult
1	<b>35128</b>	Foot, 1/4-20 NC x 1 3/16 SS	Consult
2	<b>14645</b>	Nut, jam, 1/4-20 NC, hex	Consult
3	<b>32993</b>	Bottom sub-assembly 12 x 12 in painted	Consult
4	<b>52342</b>	Label, bench scale	Consult
6	<b>14962</b>	Cap screw 1/4-20NC hex	Consult
7	<b>19092</b>	Top cover 12 x 12 in	Consult
8	<b>26408</b>	Bumper, self adhesive	Consult
9	<b>15147</b>	Washer, lock 1/4 regular	Consult
11	<b>19089</b>	Load cell shim, SS	Consult
12	<b>15410</b>	Spirit level bubble, plastic	Consult
13	<b>19139</b>	Tubing cap	Consult
14	<b>19132</b>	Top frame 12 x 12 in painted	Consult
15	<b>16141</b>	Cable tie	Consult
16	<b>15418</b>	Grommet, rubber	Consult
17	<b>14918</b>	Screw, overload protection, 8-32 UNC x 1/4, SS	Consult
18	<b>15409</b>	Clamp, nylon cable	Consult
19	<b>15138</b>	Washer, plain, STD no. 8	Consult
20	<b>15134</b>	Washer, lock no 8 type A	Consult
21	<b>14858</b>	Screw, Mach, 8-32 NC x 5/16, MS	Consult
22	<b>188678</b>	Load cell, RL42018A-30kg (30 lb)	Consult
22	<b>188679</b>	Load cell, RL42018A-50kg (50 lb)	Consult
22	<b>188681</b>	Load cell, RL42018A-100kg (100 lb)	Consult
23	<b>35327</b>	Tubing cap plug	Consult
24	<b>14733</b>	Bolt 1/4-20NC hex zinc plated	Consult
25	<b>15145</b>	Washer, plain, 1/4 Type A, MS	Consult
26	<b>14635</b>	Nut, lock, 1/4-20 NC, hex, MS	Consult
27	<b>35316</b>	Screw, cap, 1/4-20 NC x 2, hex, MS	Consult

BENCH SCALES  
**BenchMark® MS**  
 Mild Steel, 12 x 12 inch

TOP VIEW OF SCALE WITH COVER REMOVED  
 TO SHOW LOCATIONS OF RUBBER BUMPERS.

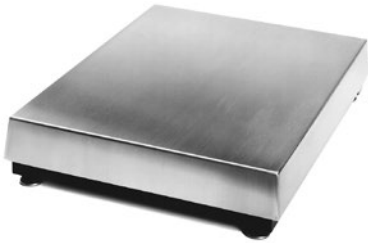


Bench Scales

BENCH SCALES

# BenchMark® MS

Mild Steel, 12 x 18 inch

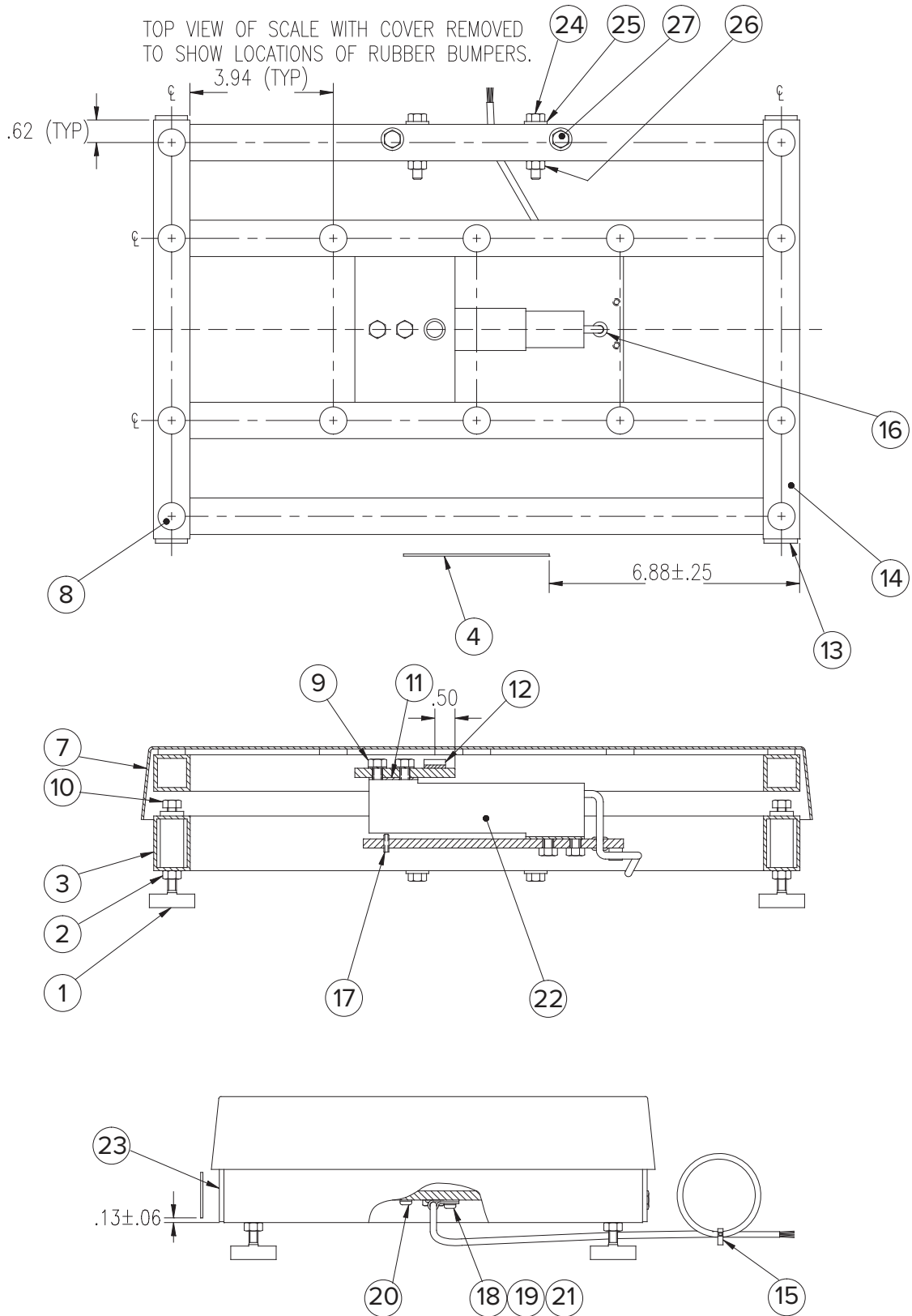


## Part Number/Price

Ref#	Part#	Description	Price
	<b>22125</b>	Benchmark manual	Consult
1	<b>35128</b>	Foot, 1/4-20NC x 1 3/16 SS	Consult
2	<b>14645</b>	Nut, jam, 1/4-20NC, hex	Consult
3	<b>32992</b>	Bottom sub-assembly 12 x 18 in painted	Consult
4	<b>52342</b>	Label, bench scale	Consult
7	<b>19093</b>	Top cover 12 x 18 in	Consult
8	<b>26408</b>	Bumper, self adhesive	Consult
9	<b>15147</b>	Washer, lock 1/4 regular	Consult
10	<b>14962</b>	Cap screw 1/4-20NC hex	Consult
11	<b>19089</b>	Load cell shim, SS	Consult
12	<b>15410</b>	Spirit level bubble, plastic	Consult
13	<b>19139</b>	Tubing cap	Consult
14	<b>19134</b>	Top frame 12 x 18 in painted	Consult
15	<b>16141</b>	Cable tie	Consult
16	<b>15418</b>	Grommet, rubber	Consult
17	<b>14918</b>	Screw, overload protection, 8-32UNC x 1/4, SS	Consult
18	<b>15409</b>	Clamp, nylon cable	Consult
19	<b>15138</b>	Washer, plain, STD no. 8	Consult
20	<b>15134</b>	Washer, lock no 8 type A	Consult
21	<b>14858</b>	Screw, Mach, 8-32 NC x 5/16, MS	Consult
22	<b>91730</b>	Load cell, RLSP4-50kg (50 lb)	Consult
22	<b>91732</b>	Load cell, RLSP4-100kg (100 lb)	Consult
23	<b>35327</b>	Tubing cap plug	Consult
24	<b>14733</b>	Bolt 1/4-20NC hex zinc plated	Consult
25	<b>15145</b>	Washer, plain, 1/4 Type A, MS	Consult
26	<b>14635</b>	Nut, lock, 1/4-20 NC, hex, MS	Consult
27	<b>35316</b>	Screw, cap, 1/4-20 NC x 2, hex, MS	Consult

# BenchMark® MS

Mild Steel, 12 x 18 inch

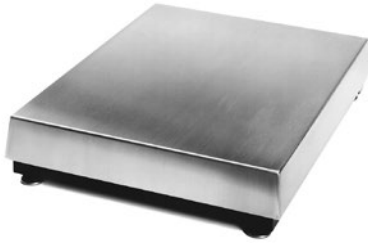


Bench Scales

BENCH SCALES

# BenchMark® MS

Mild Steel, 18 x 18 inch

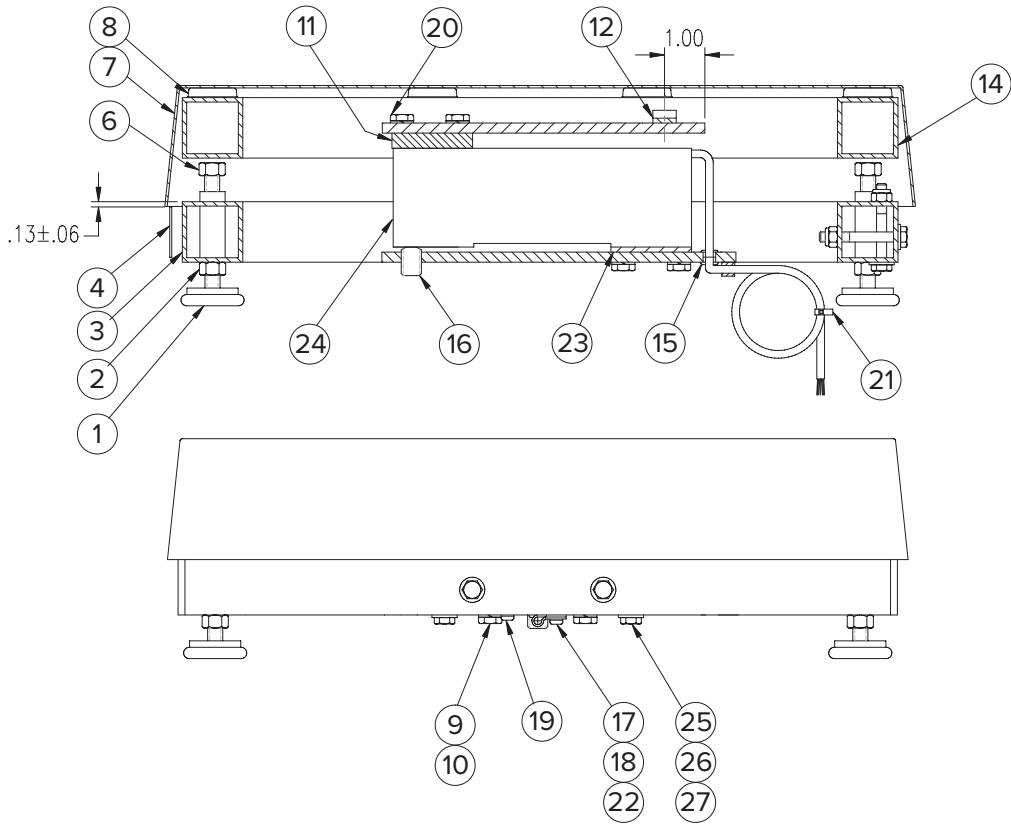
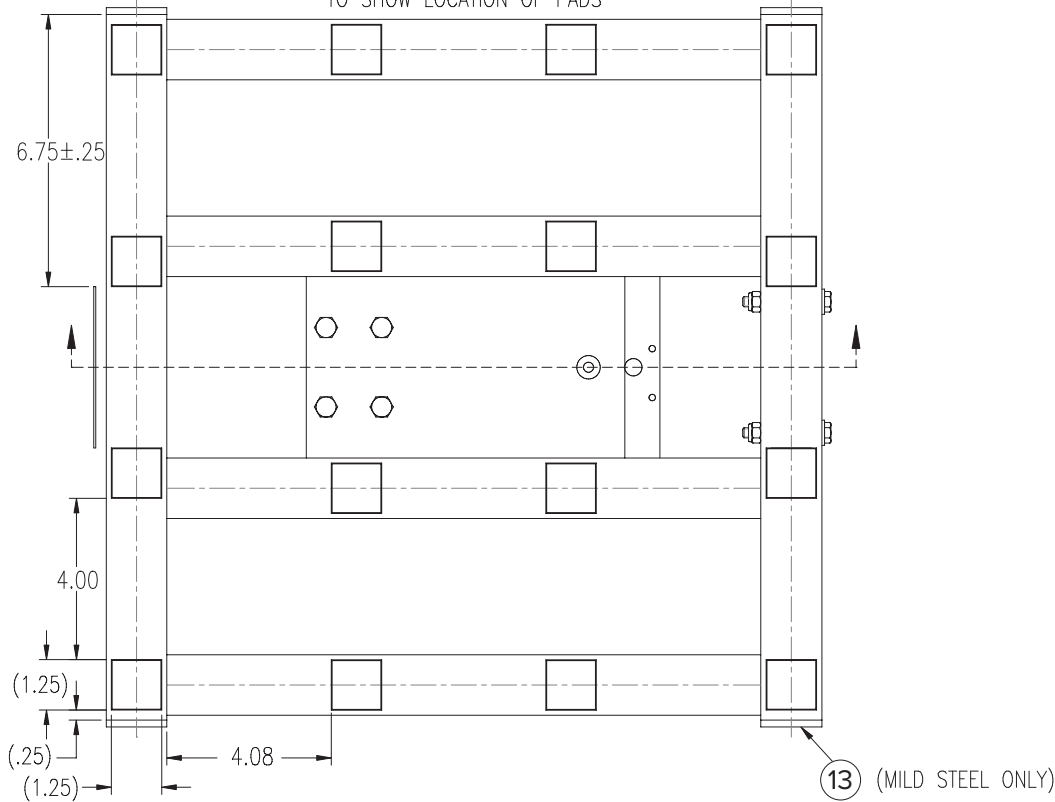


## Part Number/Price

Ref#	Part#	Description	Price
	<b>22125</b>	Benchmark manual	Consult
1	<b>19141</b>	Foot, Bench Scale 3/8-16 NC	Consult
2	<b>14649</b>	Nut, Jam 3/8-16 NC hex	Consult
3	<b>49766</b>	Frame bottom, 18 x 18 in painted	Consult
4	<b>52342</b>	Label, bench scale	Consult
6	<b>14742</b>	Hex head bolt, 3/8-16 NC x 1	Consult
7	<b>19094</b>	Top cover 18 x 18 in SST	Consult
8	<b>26407</b>	Bumper, self adhesive	Consult
9	<b>15153</b>	Washer, lock, 5/16 regular	Consult
10	<b>26667</b>	Screw, cap, 5/16-18 NC x 1 hex (50 to 500 lb models)	Consult
10	<b>26668</b>	Screw, cap, 5/16-18 NC x 3/4, hex (1,000 lb model)	Consult
11	<b>49785</b>	Washer, plate	Consult
12	<b>15410</b>	Spirit level bubble, plastic	Consult
13	<b>19140</b>	Insert, glide, square	Consult
14	<b>49765</b>	Frame, top, 18 x 18 in	Consult
15	<b>15418</b>	Grommet, rubber	Consult
16	<b>15045</b>	Screw, set, 1/2-20 NF x 1/2, hex	Consult
17	<b>15409</b>	Clamp, nylon cable	Consult
18	<b>15138</b>	Washer, plain, STD no. 8	Consult
19	<b>15134</b>	Washer, lock no 8 type A	Consult
20	<b>49788</b>	Screw, cap, 5/16-18 NC x 1 1/4, hex (50 to 500 lb models)	Consult
20	<b>26667</b>	Screw, cap, 5/16-18 NC x 1 hex (1,000 lb model)	Consult
21	<b>16141</b>	Cable tie	Consult
22	<b>14858</b>	Screw, Mach, 8-32 NC x 5/16	Consult
23	<b>49787</b>	Shim plate	Consult
24	<b>188682</b>	Load cell, RL26018A-50kg (50 lb)	Consult
24	<b>188684</b>	Load cell, RL26018A-100kg (100 lb)	Consult
24	<b>188685</b>	Load cell, RL26018A-150kg (150 lb)	Consult
24	<b>188686</b>	Load cell, RL26018A-200kg (200 lb)	Consult
24	<b>188687</b>	Load cell, RL26018A-250kg (250 lb)	Consult
24	<b>188688</b>	Load cell, RL26018A-300kg (300 lb)	Consult
24	<b>188689</b>	Load cell, RL26018A-500kg (500 lb)	Consult
24	<b>191105</b>	Load cell, RL1218A-1000kg (1,000 lb)	Consult
25	<b>35316</b>	Bolt 1/4-20NC hex zinc plated	Consult
26	<b>15145</b>	Washer, plain, 1/4 Type A	Consult
27	<b>14635</b>	Nut, lock, 1/4-20 NC, hex	Consult

BENCH SCALES  
**BenchMark® MS**  
 Mild Steel, 18 × 18 inch

TOP VIEW OF SCALE WITH COVER REMOVED  
 TO SHOW LOCATION OF PADS

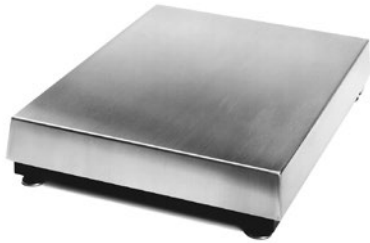


Bench Scales

BENCH SCALES

# BenchMark® MS

Mild Steel, 18 x 24 inch



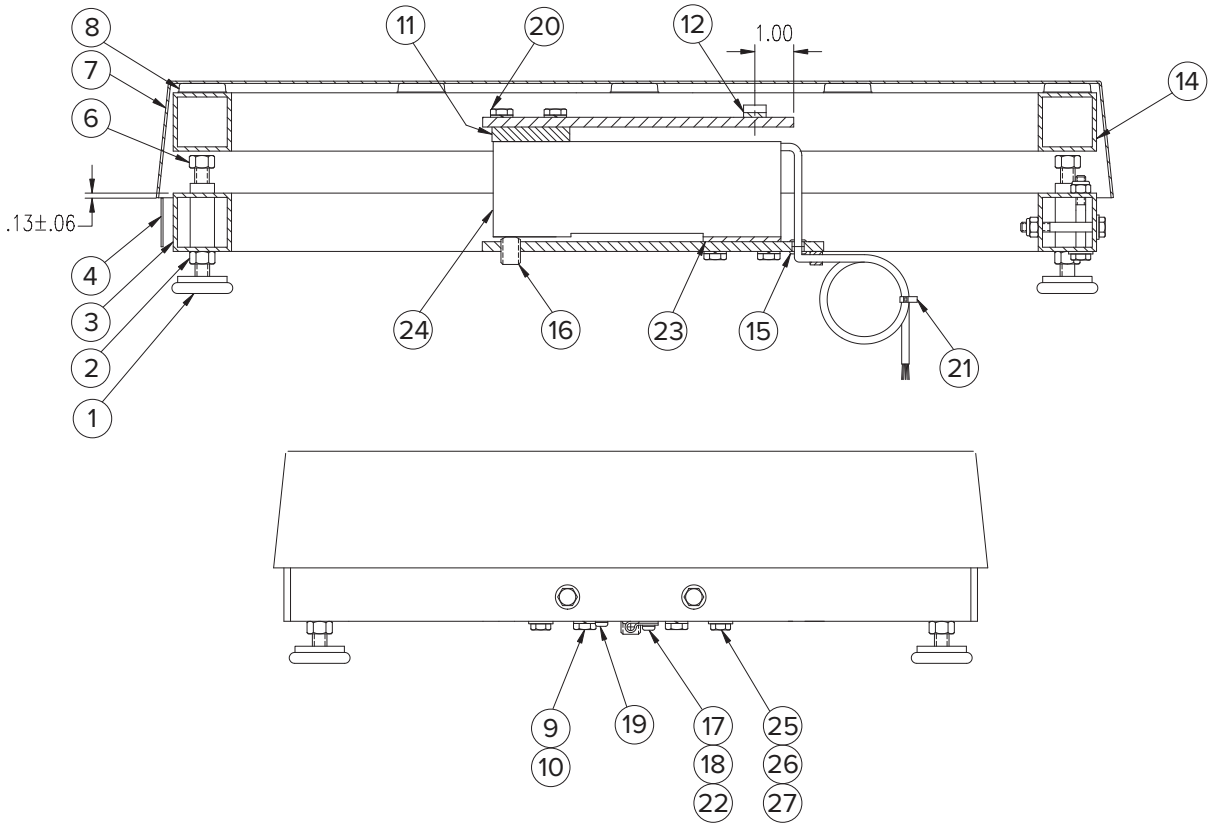
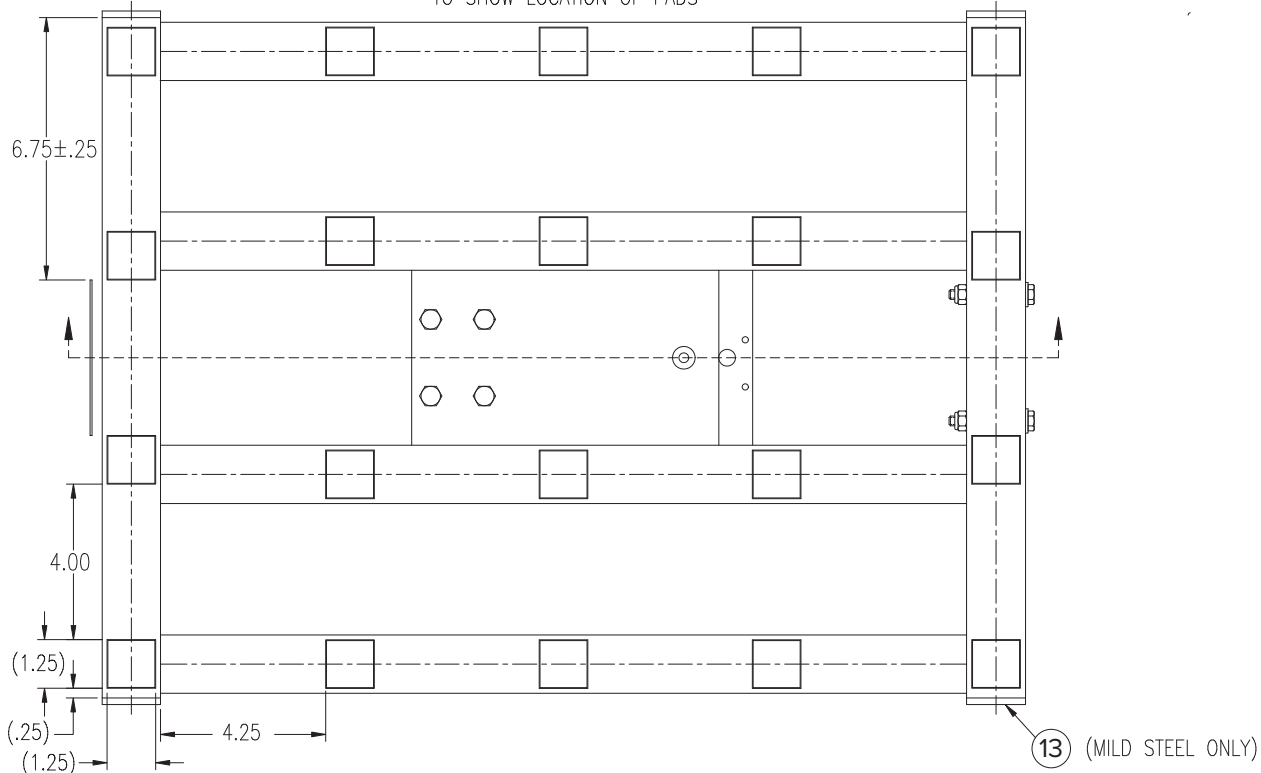
## Part Number/Price

Ref#	Part#	Description	Price
	22125	Operating manual	Consult
	10082	Pad, 23.10 x 23.10	Consult
1	19141	Foot, Bench Scale 3/8-16NC	Consult
2	14649	Nut, Jam 3/8-16NC hex	Consult
3	49770	Frame bottom, 18 x 24 in painted	Consult
4	52342	Label, bench scale	Consult
6	14742	Hex head bolt, 3/8-16NC x 1	Consult
7	19095	Top cover 18 x 24 in SST	Consult
8	26407	Bumper, self adhesive	Consult
9	15153	Washer, lock, 5/16 regular	Consult
10	26667	Screw, cap, 5/16-18NC x 1, hex (50 to 500 lb models)	Consult
10	26668	Screw, cap, 5/16-18NC x 3/4, hex, (1,000 lb model)	Consult
11	49785	Washer, plate	Consult
12	15410	Spirit level bubble, plastic	Consult
13	19140	Insert, glide, square	Consult
14	49769	Frame, top, 18 x 24 in	Consult
15	15418	Grommet, rubber	Consult
16	15045	Screw, set, 1/2-20NF x 1/2, hex	Consult
17	15409	Clamp, nylon cable	Consult
18	15138	Washer, plain, STD no. 8	Consult
19	15134	Washer, lock no 8 type A	Consult
20	49788	Screw, cap, 5/16-18NC x 1 1/4, hex (50 to 500 lb models)	Consult
20	26667	Screw, cap, 5/16-18NC x 1 hex (1,000 lb model)	Consult
21	16141	Cable tie	Consult
22	14858	Screw, Mach, 8-32NC x 5/16	Consult
23	49787	Shim plate	Consult
24	188682	Load cell, RL26018A-50kg (50 lb)	Consult
24	188684	Load cell, RL26018A-100kg (100 lb)	Consult
24	188685	Load cell, RL26018A-150kg (150 lb)	Consult
24	188686	Load cell, RL26018A-200kg (200 lb)	Consult
24	188687	Load cell, RL26018A-250kg (250 lb)	Consult
24	188688	Load cell, RL26018A-300kg (300 lb)	Consult
24	188689	Load cell, RL26018A-500kg (500 lb)	Consult
24	191105	Load cell, RL1218A-1000kg (1,000 lb)	Consult
25	35316	Bolt 1/4-20NC hex zinc plated	Consult
26	15145	Washer, plain, 1/4 Type A	Consult
27	14635	Nut, lock, 1/4-20NC, hex	Consult



BENCH SCALES  
**BenchMark® MS**  
 Mild Steel, 18 x 24 inch

TOP VIEW OF SCALE WITH COVER REMOVED  
 TO SHOW LOCATION OF PADS

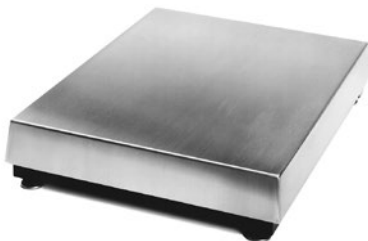


Bench Scales

BENCH SCALES

# BenchMark® MS

Mild Steel, 24 x 24 inch

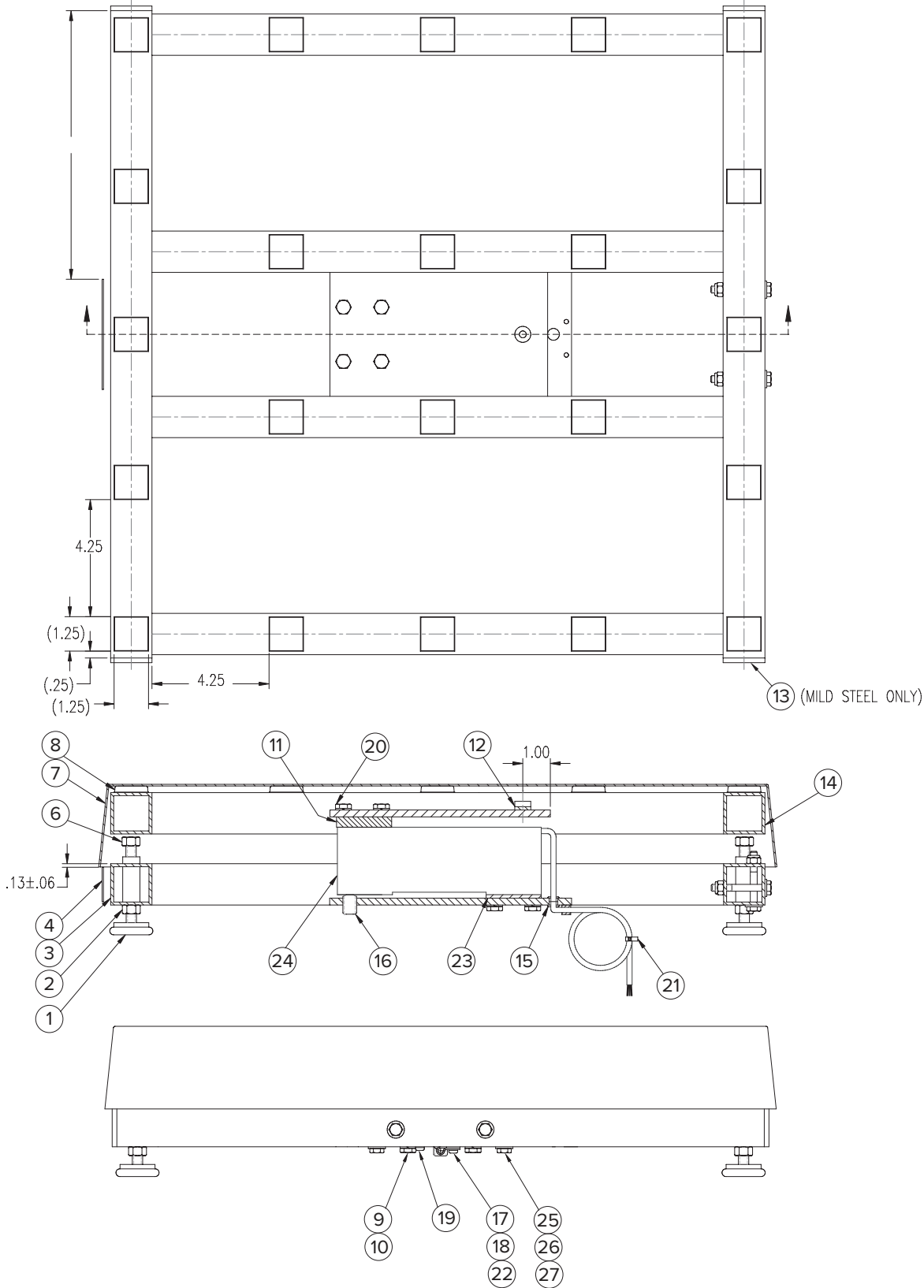


## Part Number/Price

Ref#	Part#	Description	Price
	<b>22125</b>	Operating manual	Consult
	<b>10082</b>	Pad, 23.10 x 23.10	Consult
1	<b>19141</b>	Foot, Bench Scale 3/8-16NC	Consult
2	<b>14649</b>	Nut, Jam 3/8-16NC hex	Consult
3	<b>49774</b>	Frame bottom, 24 x 24 in painted	Consult
4	<b>52342</b>	Label, bench scale	Consult
6	<b>14742</b>	Hex head bolt, 3/8-16NC x 1	Consult
7	<b>19095</b>	Top cover 24 x 24 in SST	Consult
8	<b>26407</b>	Bumper, self adhesive	Consult
9	<b>15153</b>	Washer, lock, 5/16 regular	Consult
10	<b>26667</b>	Screw, cap, 5/16-18NC x 1, hex (50 to 500 lb models)	Consult
10	<b>26668</b>	Screw, cap, 5/16-18NC x 3/4, hex, (1,000 lb model)	Consult
11	<b>49785</b>	Washer, plate	Consult
12	<b>15410</b>	Spirit level bubble, plastic	Consult
13	<b>19140</b>	Insert, glide, square	Consult
14	<b>49773</b>	Frame, top, 24 x 24 in	Consult
15	<b>15418</b>	Grommet, rubber	Consult
16	<b>15045</b>	Screw, set, 1/2-20NF x 1/2, hex	Consult
17	<b>15409</b>	Clamp, nylon cable	Consult
18	<b>15138</b>	Washer, plain, STD no. 8	Consult
19	<b>15134</b>	Washer, lock no 8 type A	Consult
20	<b>49788</b>	Screw, cap, 5/16-18NC x 1 1/4, hex (50 to 500 lb models)	Consult
20	<b>26667</b>	Screw, cap, 5/16-18NC x 1 hex (1,000 lb model)	Consult
21	<b>16141</b>	Cable tie	Consult
22	<b>14858</b>	Screw, Mach, 8-32 NC x 5/16	Consult
23	<b>49787</b>	Shim plate	Consult
24	<b>188684</b>	Load cell, RL26018A-100kg (100 lb)	Consult
24	<b>188685</b>	Load cell, RL26018A-150kg (150 lb)	Consult
24	<b>188686</b>	Load cell, RL26018A-200kg (200 lb)	Consult
24	<b>188687</b>	Load cell, RL26018A-250kg (250 lb)	Consult
24	<b>188688</b>	Load cell, RL26018A-300kg (300 lb)	Consult
24	<b>188689</b>	Load cell, RL26018A-500kg (500 lb)	Consult
24	<b>191105</b>	Load cell, RL1218A-1000kg (1,000 lb)	Consult
25	<b>35316</b>	Bolt 1/4-20NC hex zinc plated	Consult
26	<b>15145</b>	Washer, plain, 1/4 Type A	Consult
27	<b>14635</b>	Nut, lock, 1/4-20NC, hex	Consult

BENCH SCALES  
**BenchMark® MS**  
 Mild Steel, 24 x 24 inch

TOP VIEW OF SCALE WITH COVER REMOVED  
 TO SHOW LOCATION OF PADS



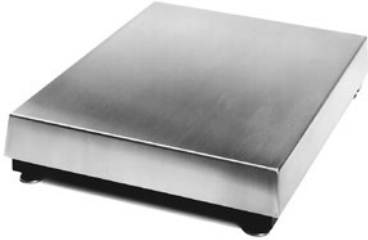
Bench Scales

BENCH SCALES

# BenchMark® Single Point

18 x 18in & 18 x 24in & 24 x 24in Mild and Stainless Steel

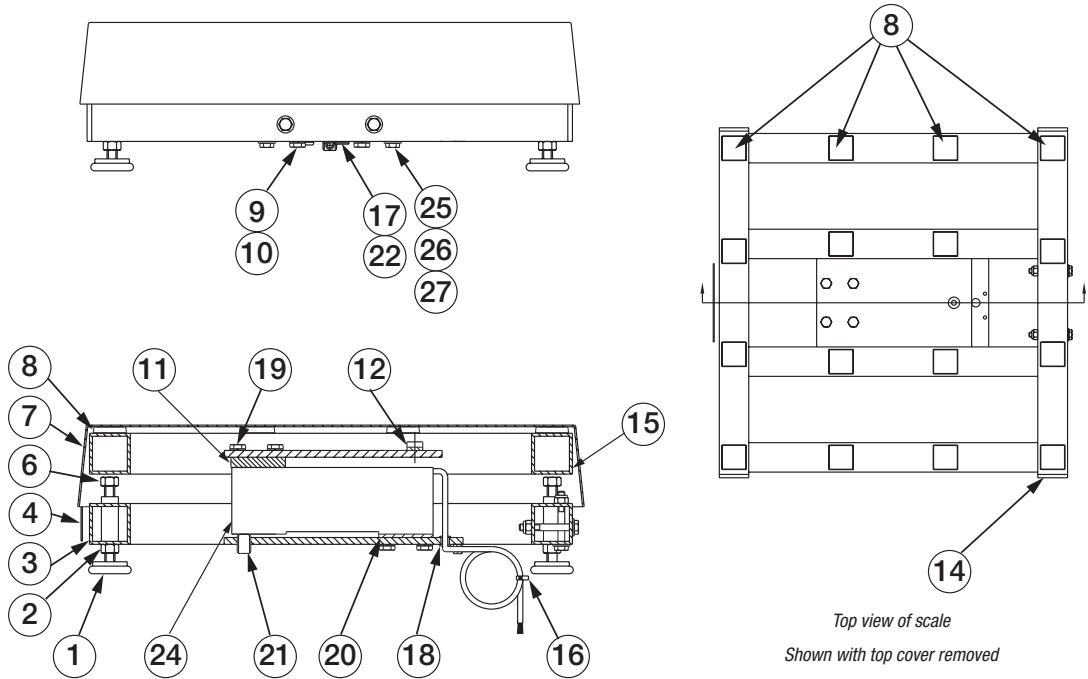
## Part Number/Price



Ref#	Part#	Description	Price
	22125	Operating manual	Consult
	10082	Pad, 23.10 x 23.10	Consult
1	19141	Foot, Bench Scale 3/8-16NC	Consult
2	14649	Nut, Jam 3/8-16 NC hex	Consult
2	14653	Jam nut, foot SS	Consult
3	49766	Frame bottom, 18 in x 18 in, MS (RL1260/PMW16 load cell)	Consult
3	49768	Frame bottom, 18 in x 18 in, SS (RL1260/PMW16 load cell)	Consult
3	49770	Frame bottom, 18 in x 24 in, MS (RL1260/PMW16 load cell)	Consult
3	49772	Frame bottom, 18 in x 24 in, SS (RL1260/PMW16 load cell)	Consult
3	49774	Frame bottom, 24 in x 24 in, MS (RL1260/PMW16 load cell)	Consult
3	49776	Frame bottom, 24 in x 24 in, SS (RL1260/PMW16 load cell)	Consult
3	19108	Frame bottom, 18 in x 18 in, MS (RL1250 load cell)	Consult
3	19109	Frame bottom, 18 in x 18 in, SS (RL1250 load cell)	Consult
3	19110	Frame bottom, 18 in x 24 in, MS (RL1250 load cell)	Consult
3	19111	Frame bottom, 18 in x 24 in, SS (RL1250 load cell)	Consult
3	19112	Frame bottom, 24 in x 24 in, MS (RL1250 load cell)	Consult
3	19114	Frame bottom, 24 in x 24 in, SS (RL1250 load cell)	Consult
4	52342	Label, bench scale	Consult
6	14742	Hex head bolt, 3/8-16NC x 1	Consult
7	19094	Cover, top, 18 in x 18 in	Consult
7	19095	Cover, top, 18 in x 24 in	Consult
7	19096	Cover, top, 24 in x 24 in	Consult
8	26407	Bumper, self adhesive	Consult
9	15153	Washer, lock, 5/16 regular, MS	Consult
9	15154	Washer, lock, 5/16 regular, SS	Consult
10	26668	Screw, cap, 5/16-18NC x 3/4, hex, MS	Consult
10	26669	Screw, cap, 5/16-18NC x 3/4, hex, SS	Consult
10	26667	Screw, cap, 5/16-18NC x 1, hex, MS	Consult
10	26670	Screw, cap, 5/16-18NC x 1, hex, SS	Consult

(See Diagram BenchMark-C)

Bench Scales



BenchMark-C

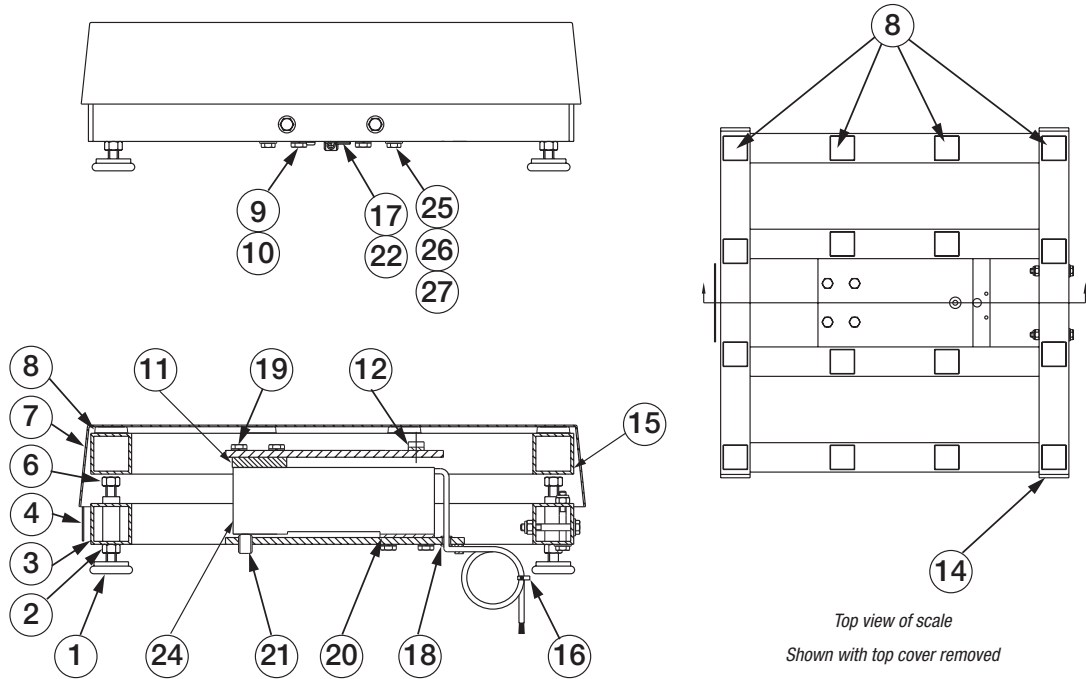
# BenchMark® Single Point

18 x 18 in & 18 x 24 in & 24 x 24 in Mild and Stainless Steel

## Part Number/Price

Ref#	Part#	Description	Price
	22125	Benchmark manual	Consult
1	35128	Foot, 1/4-20NC x 1 3/16 SS	Consult
2	14645	Nut, jam, 1/4-20NC, hex	Consult
3	32795	Bottom sub-assembly	Consult
4	52342	Label, bench scale	Consult
7	19093	Top cover, 12 in x 18 in	Consult
8	40962	Load cell, RL1042-50 lb model	Consult
8	40964	Load cell, RL1042-100 lb model	Consult
9	15148	Washer, locking	Consult
10	14963	Overload screw, 1/4-20NC x 3/4	Consult
11	35082	Top shim, load cell	Consult
12	15410	Spirit level bubble, plastic	Consult
14	32797	Spider top, 12 in x 18 in	Consult
15	16141	Cable tie	Consult
16	15418	Grommet, rubber	Consult
17	14920	Screw, overload protection, 8-32UNC x 1/4, SS	Consult
18	15409	Clamp, nylon cable	Consult
19	15138	Washer, plain, STD no. 8	Consult
20	15132	Washer, locking, # 8 SS	Consult
21	14862	Screw, Mach, 8-32 NC x 3/8, SS	Consult
22	19089	Load cell shim, SS	Consult
24	26408	Bumper, self adhesive	Consult

(See diagram BenchMark-B)



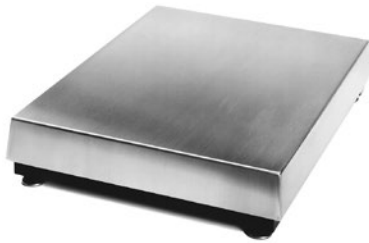
BenchMark-C

BENCH SCALES

# BenchMark® Single Point

18 x 18in & 18 x 24in & 24 x 24in Mild and Stainless Steel

## Part Number/Price

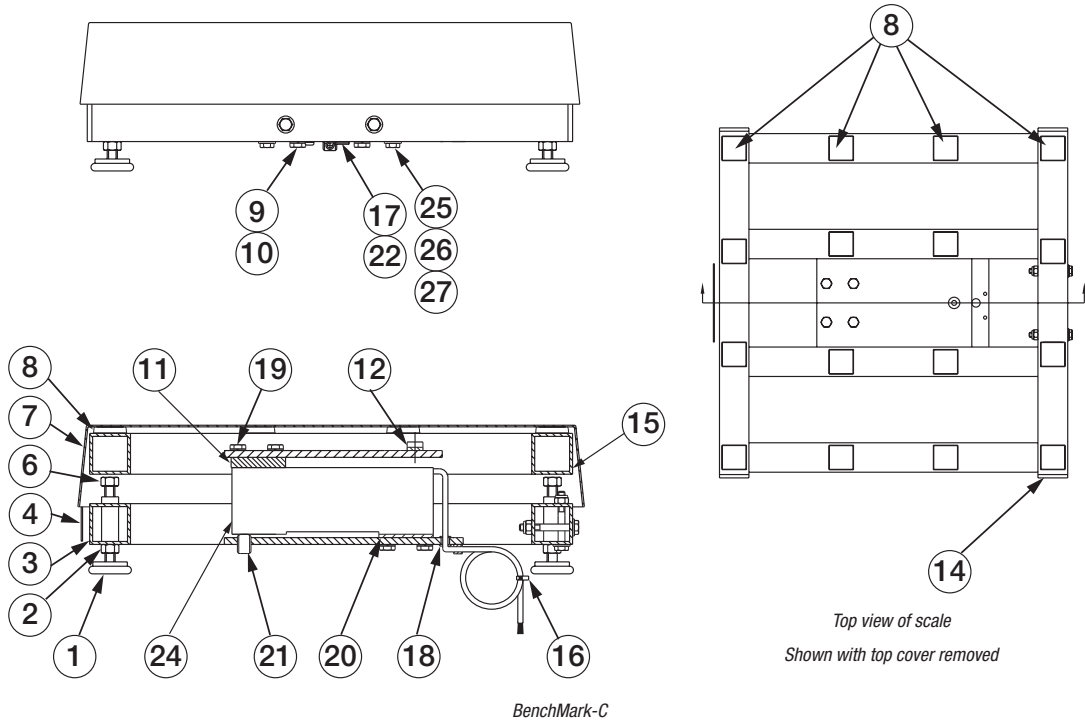


Ref#	Part#	Description	Price
11	49785	Plate, washer, MS (RL1260/RLPMW16 load cell)	Consult
11	49786	Plate, washer, SS (RL1260/RLPMW16 load cell)	Consult
11	19102	Plate, washer, MS (RL1250 load cell)	Consult
11	19103	Plate, washer, SS (RL1250 load cell)	Consult
12	15410	Spirit level bubble, plastic	Consult
14	19140	Insert, glide, square	Consult
15	49765	Frame, top, 18 in x 18 in, MS (RL1260/RLPMW16 load cell)	Consult
15	49767	Frame, top, 18 in x 18 in, SS (RL1260/RLPMW16 load cell)	Consult
15	19116	Frame, top, 18 in x 18 in, MS (RL1250 load cell)	Consult
15	19117	Frame, top, 18 in x 18 in, SS (RL1250 load cell)	Consult
15	19118	Frame, top, 18 in x 24 in, MS (RL1250 load cell)	Consult
15	19119	Frame, top, 18 in x 24 in, SS (RL1250 load cell)	Consult
15	49769	Frame, top, 18 in x 24 in, MS (RL1260/RLPMW16 load cell)	Consult
15	49771	Frame, top, 18 in x 24 in, SS (RL1260/RLPMW16 load cell)	Consult
15	49773	Frame, top, 24 in x 24 in, MS (RL1260/RLPMW16 load cell)	Consult
15	49775	Frame, top, 24 in x 24 in, SS (RL1260/RLPMW16 load cell)	Consult
15	19120	Frame, top, 24 in x 24 in, MS (RL1250 load cell)	Consult
15	19121	Frame, top, 24 in x 24 in, SS (RL1250 load cell)	Consult
16	16141	Cable tie	Consult
17	15409	Clamp, nylon cable	Consult
18	15418	Grommet, rubber	Consult
19	49788	Screw, cap, 5/16-18 NC x 1 1/4, hex, MS (RL1260 load cell)	Consult
19	49789	Screw, cap, 5/16-18 NC x 1 1/4, hex, SS (RL1260 load cell)	Consult
19	26667	Screw, cap, 5/16-18 NC x 1, hex, MS (RL1250 load cell)	Consult
19	26668	Screw, cap, 5/16-18 NC x 3/4, hex, MS (RL1250 load cell)	Consult
19	26669	Screw, cap, 5/16-18 NC x 3/4, hex, SS (RL1250 load cell)	Consult
20	49787	Shim plate (RL1260/RLPMW16 load cell)	Consult
20	22264	Shim plate (RL1250 load cell)	Consult
21	15045	Screw, set, 1/2-20 NF x 1/2, hex, MS	Consult
21	15047	Screw, set, 1/2-20 NF x 1/2, hex, SS	Consult
22	14858	Screw, Mach, 8-32 NC x 5/16, MS	Consult
22	14862	Screw, Mach, 8-32 NC x 3/8, SS	Consult
24	188682	Load cell, RL26018A (50 lb models)	Consult
24	188684	Load cell, RL26018A (100 lb models)	Consult
24	188685	Load cell, RL26018A (150 lb models)	Consult
24	188686	Load cell, RL26018A (200 lb models)	Consult
24	188687	Load cell, RL26018A (250 lb models)	Consult
24	188688	Load cell, RL26018A (300 lb models)	Consult
24	188689	Load cell, RL26018A (500 lb models)	Consult
24	191105	Load cell, SPT RL1218A (1000 lb models)	Consult
25	35316	Screw, cap, 1/4-20 NC x 2, hex, MS	Consult
25	35199	Screw, cap, 1/4-20 NC x 2, hex, SS	Consult
26	15145	Washer, plain, 1/4 Type A, MS	Consult
26	15149	Washer, plain, 1/4 Type A, SS	Consult
27	14635	Nut, lock, 1/4-20 NC, hex, MS	Consult
27	14634	Nut, lock, 1/4-20 NC, hex, SS	Consult

(See Diagram BenchMark-C)

# BenchMark® Single Point

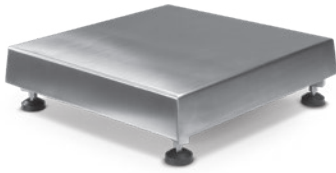
18 x 18in & 18 x 24in & 24 x 24in Mild and Stainless Steel



BENCH SCALES

# BenchMark® HE-X

12 x 18 inch

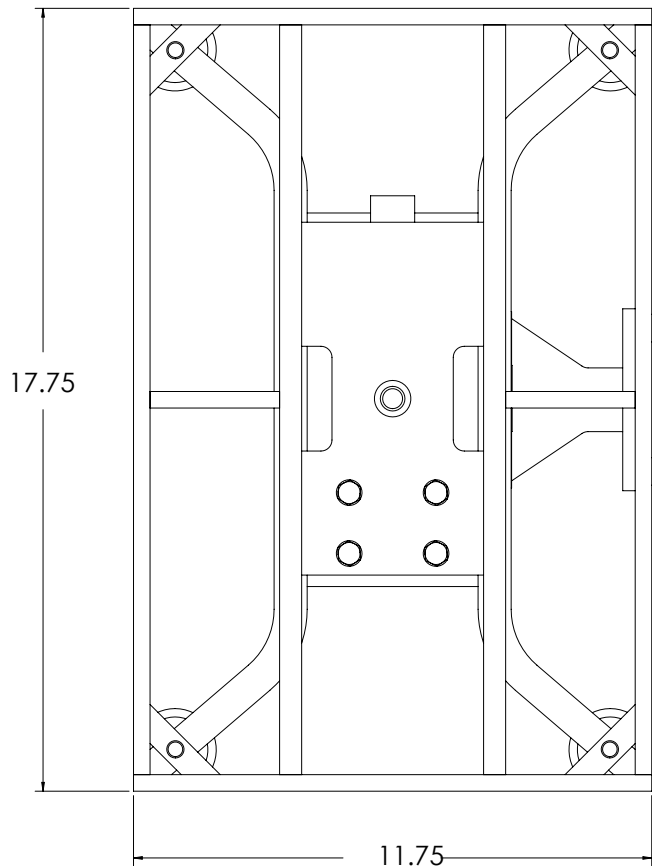


### Part Number/Price

Ref#	Part#	Description	Price
1	192293	Frame, top weldment 12 x 18 in	Consult
2	192287	Frame, bottom 12 x 18 in SST	Consult
3	191519	Shim, RLPCBC load cell sst	Consult
4	191518	Nut coupling 1/2-20NF	Consult
5	191885	Foot	Consult
6	87022	Load cell, RLPCBC-60 50 kg (50 lb model)	Consult
6	87023	Load cell, RLPCBC-60 100 kg (100 lb model)	Consult
7	15154	5/16 Lock washer set	Consult
8	49789	Cap screw 5/16-18 NC x 1.25 hex head sst	Consult
9	15409	Clamp, nylon cable	Consult
10	184359	Screw, 8-32 x 1/4 hex head 18-8 sst	Consult
11	15132	Washer, locking, #8 SS	Consult
13	183530	Screw, cap 1/2-20 NF x 0.50 hex head sst	Consult
14	187195	Spirit level bubble	Consult
15	14963	Overload screw, 1/4-20NC x 3/4	Consult
16	15149	Washer, flat, 1/4 Type A, SS	Consult
17	105555	Coupling nut 1/4-20NC x 0.48, hex SS	Consult
18	19093	Top cover 12 x 18 in SST	Consult
19	151269	Screw, cap 1/4-20 hhcs 18-8 sst p-t	Consult
20	14954	Screw, cap 1/4-20 NC x 3/8 sst	Consult
21	52342	Label, bench scale	Consult

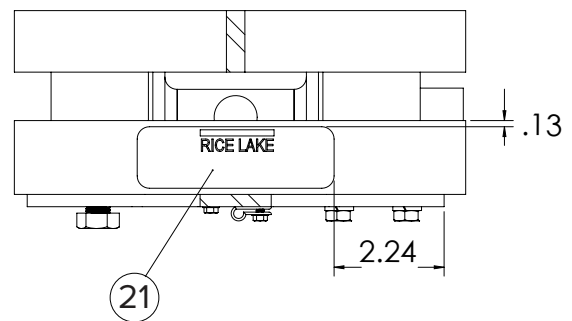
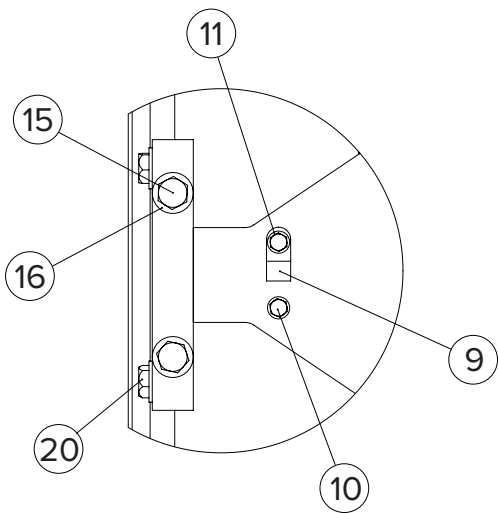
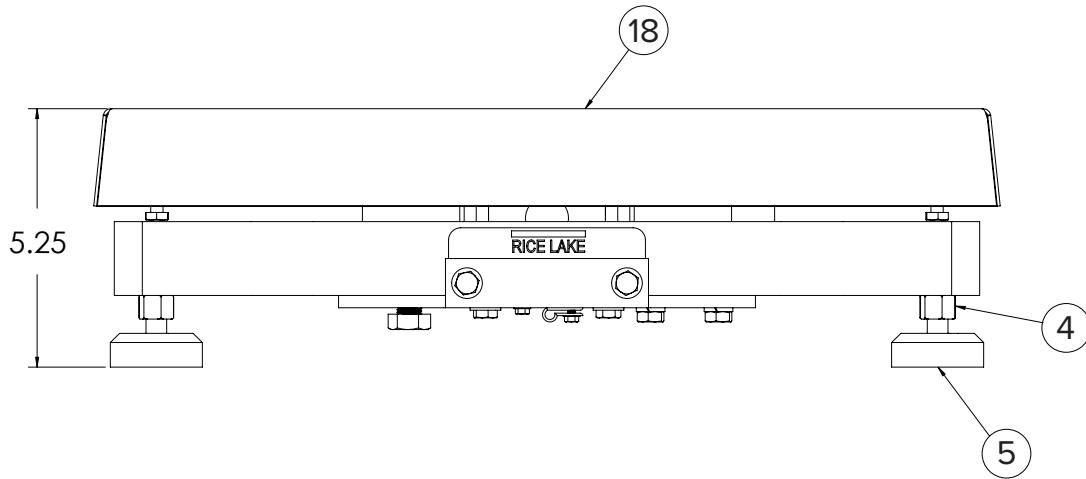
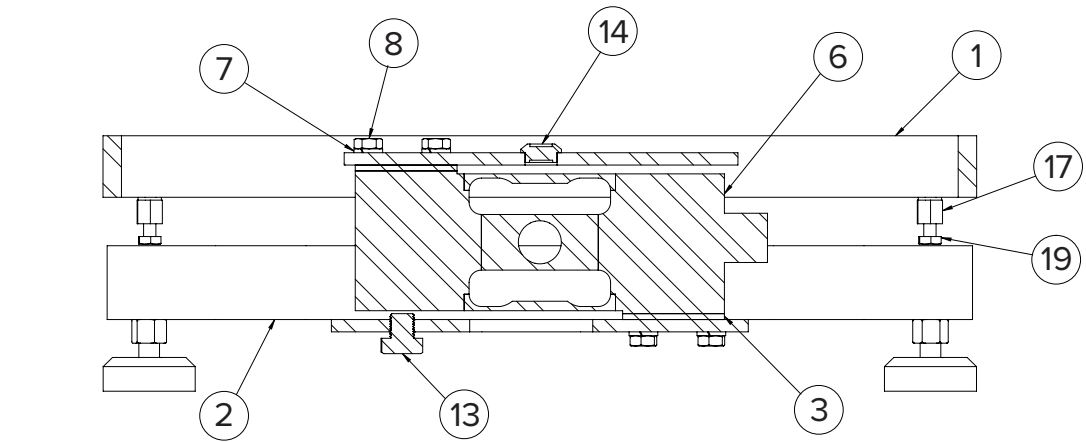
(See Diagram BenchMark-HE-X)

TOP VIEW OF SCALE SHOWN WITH COVER REMOVED FOR CLARITY





BENCH SCALES  
**BenchMark® HE-X**  
 12 x 18 inch

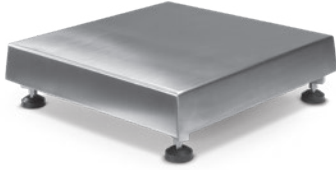


Bench Scales

BENCH SCALES

# BenchMark® HE-X

18 x 18 inch

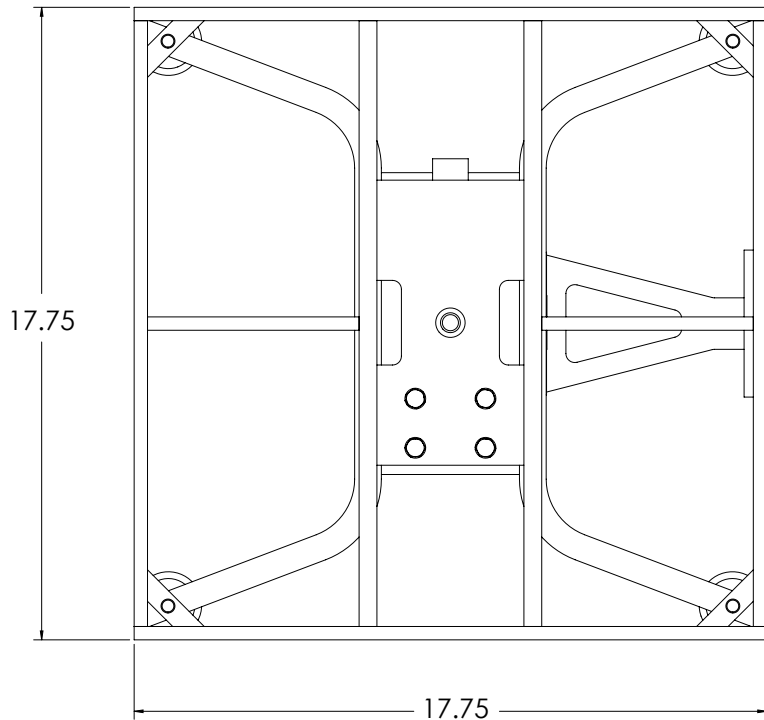


### Part Number/Price

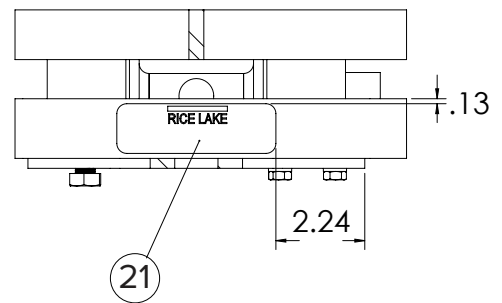
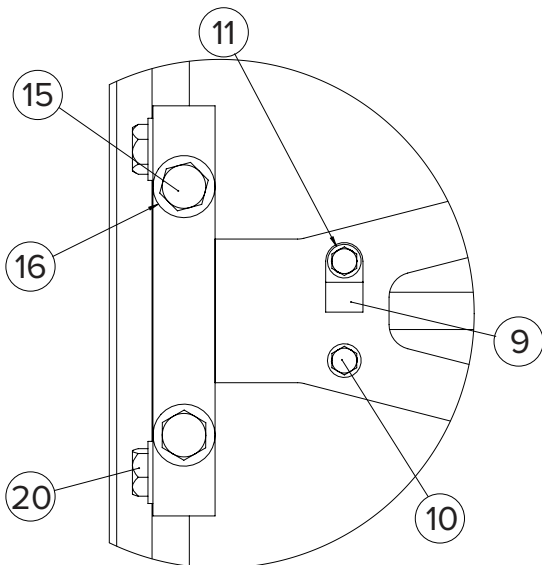
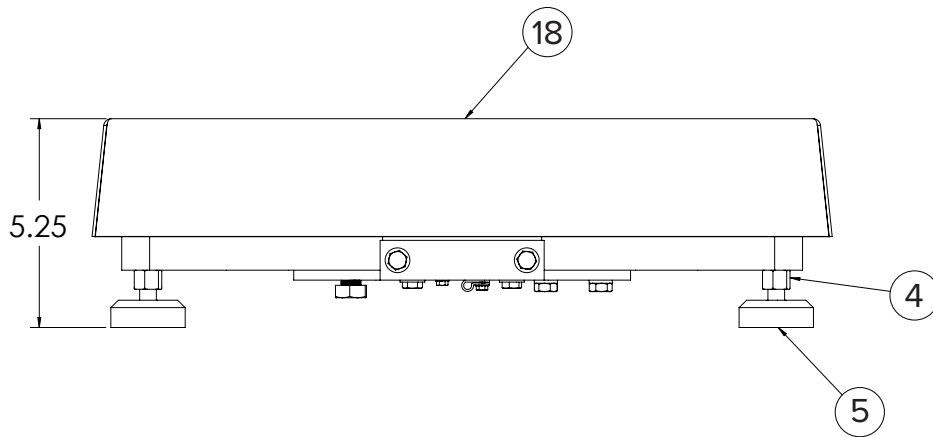
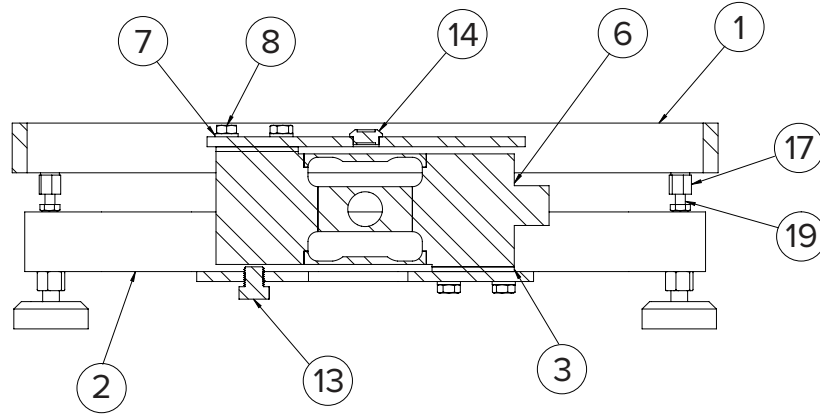
Ref#	Part#	Description	Price
1	191534	Frame, top weldment 18 x 18 in	Consult
2	191522	Frame, bottom 18 x 18 in SST	Consult
3	191519	Shim, RLPCBC load cell sst	Consult
4	191518	Nut coupling 1/2-20NF	Consult
5	191885	Foot	Consult
6	87022	Load cell, RLPCBC-60 50 kg (50 lb model)	Consult
6	87023	Load cell, RLPCBC-60 100 kg (100 to 150 lb models)	Consult
6	87024	Load cell, RLPCBC-60 250 kg (200 to 300 lb models)	Consult
6	87025	Load cell, RLPCBC-60 500 kg (500 lb model)	Consult
6	87026	Load cell, RLPCBC-60 1000 kg (1,000 lb model)	Consult
7	15154	5/16 Lock washer set	Consult
8	49789	Cap screw 5/16-18 NC x 1.25 hex head sst	Consult
9	15409	Clamp, nylon cable	Consult
10	184359	Screw, 8-32 x 1/4 hex head 18-8 sst	Consult
11	15132	Washer, locking, #8 SS	Consult
13	183530	Screw, cap 1/2-20 NF x 0.50 hex head sst	Consult
14	187195	Spirit level bubble	Consult
15	14963	Overload screw, 1/4-20 NC x 3/4	Consult
16	15149	Washer, flat, 1/4 Type A, SS	Consult
17	105555	Coupling nut 1/4-20NC x 0.48, hex SS	Consult
18	19094	Top cover 18 x 18 in SST	Consult
19	151269	Screw, cap 1/4-20 hhcs 18-8 sst p-t	Consult
20	14954	Screw, cap 1/4-20 NC x 3/8 sst	Consult
21	52342	Label, bench scale	Consult

(See Diagram BenchMark-HE-X)

TOP VIEW OF SCALE SHOWN WITH COVER REMOVED FOR CLARITY



BENCH SCALES  
**BenchMark® HE-X**  
 18 x 18 inch

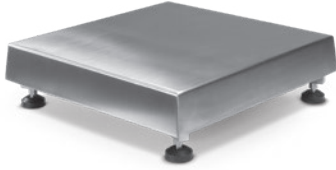


Bench Scales

BENCH SCALES

# BenchMark® HE-X

18 x 24 inch

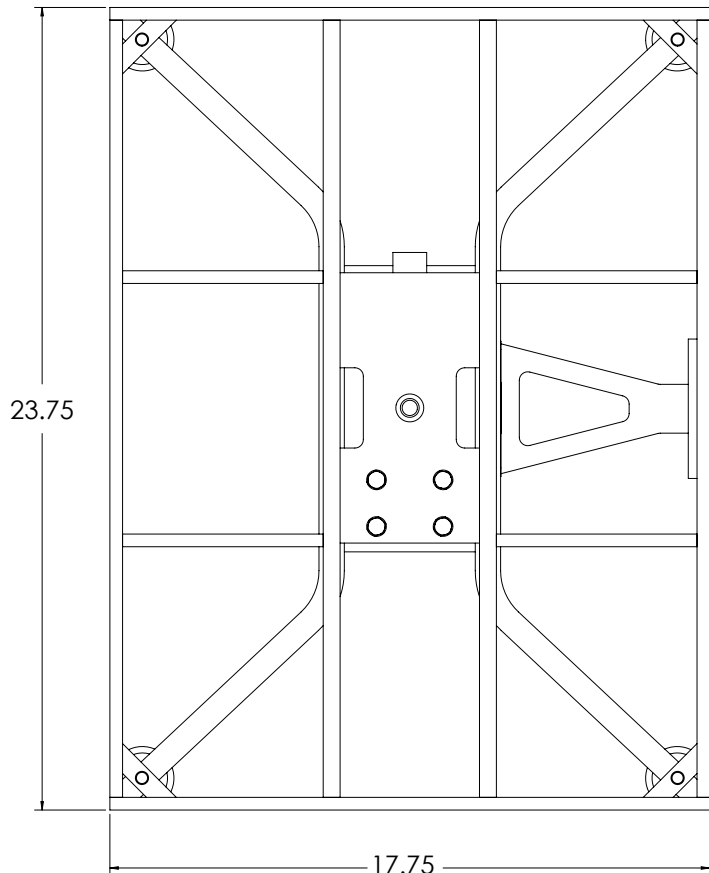


## Part Number/Price

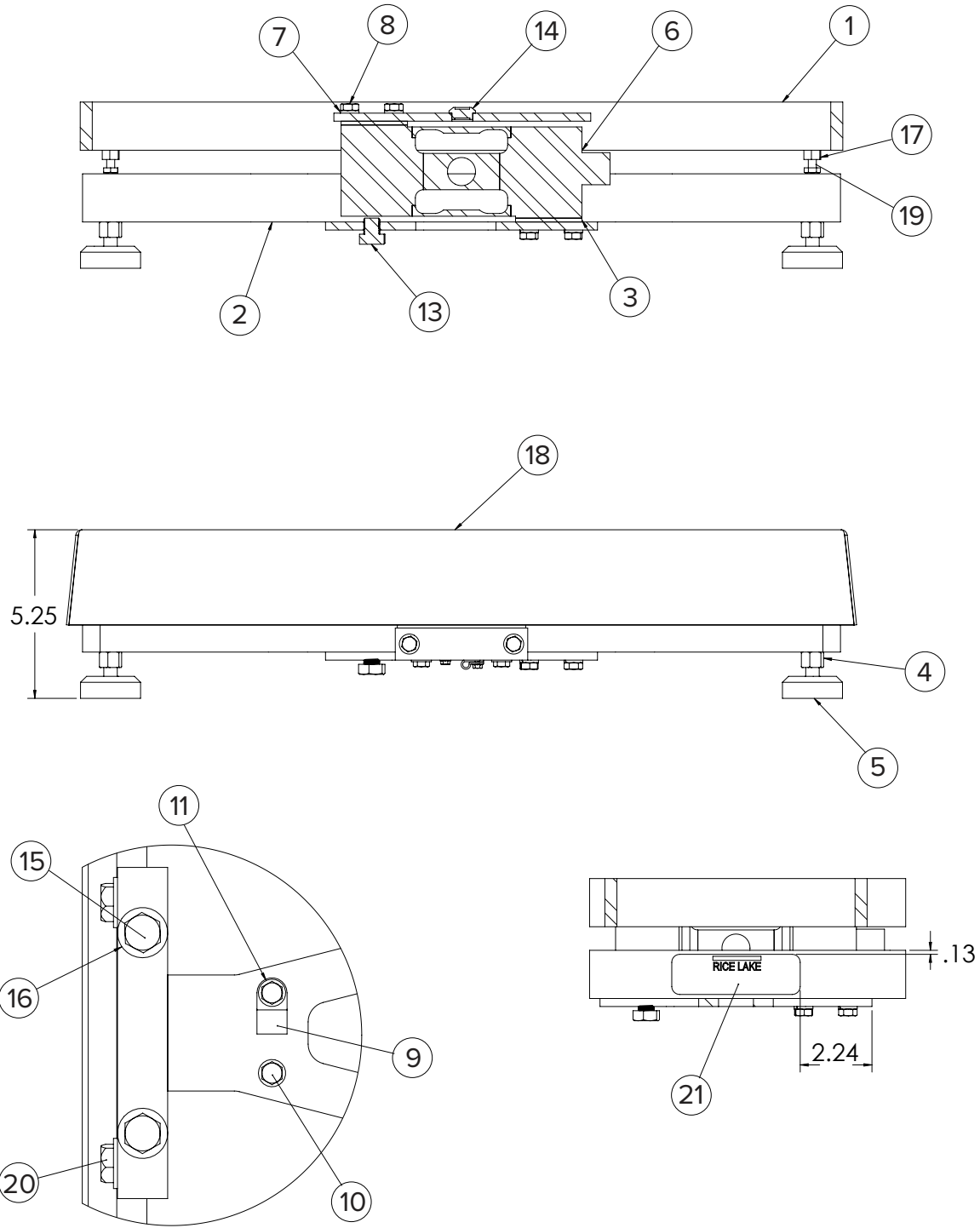
Ref#	Part#	Description	Price
1	191815	Frame, top weldment 18 x 24 in	Consult
2	191814	Frame, bottom 18 x 24 in SST	Consult
3	191519	Shim, RLPBCB load cell sst	Consult
4	191518	Nut coupling 1/2-20NF	Consult
5	191885	Foot	Consult
6	87022	Load cell, RLPBCB-60 50 kg (50 lb model)	Consult
6	87023	Load cell, RLPBCB-60 100 kg (100 to 150 lb models)	Consult
6	87024	Load cell, RLPBCB-60 250 kg (200 to 300 lb models)	Consult
6	87025	Load cell, RLPBCB-60 500 kg (500 lb model)	Consult
6	87026	Load cell, RLPBCB-60 1000 kg (1,000 lb model)	Consult
7	15154	5/16 Lock washer set	Consult
8	49789	Cap screw 5/16-18 NC x 1.25 hex head sst	Consult
9	15409	Clamp, nylon cable	Consult
10	184359	Screw, 8-32 x 1/4 hex head 18-8 sst	Consult
11	15132	Washer, locking, #8 SS	Consult
13	183530	Screw, cap 1/2-20NF x 0.50 hex head sst	Consult
14	187195	Spirit level bubble	Consult
15	14963	Overload screw, 1/4-20NC x 3/4	Consult
16	15149	Washer, flat, 1/4 Type A, SS	Consult
17	105555	Coupling nut 1/4-20NC x 0.48, hex SS	Consult
18	19095	Top cover 18 x 24 in SST	Consult
19	151269	Screw, cap 1/4-20 hhcs 18-8 sst p-t	Consult
20	14954	Screw, cap 1/4-20NC x 3/8 sst	Consult
21	52342	Label, bench scale	Consult

(See Diagram BenchMark-HE-X)

TOP VIEW OF SCALE SHOWN WITH COVER REMOVED FOR CLARITY



BENCH SCALES  
**BenchMark® HE-X**  
 18 x 24 inch

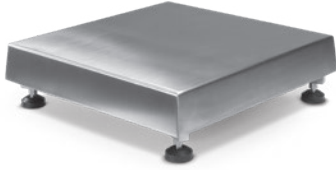


Bench Scales

BENCH SCALES

# BenchMark® HE-X

24 x 24 inch

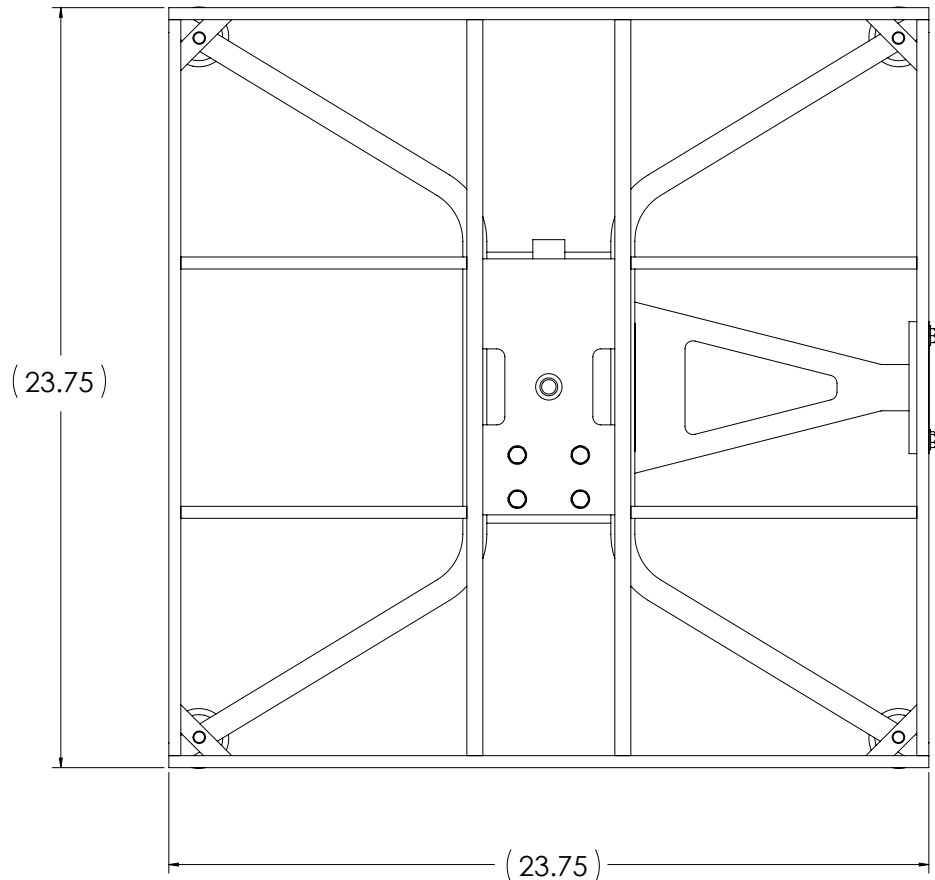


### Part Number/Price

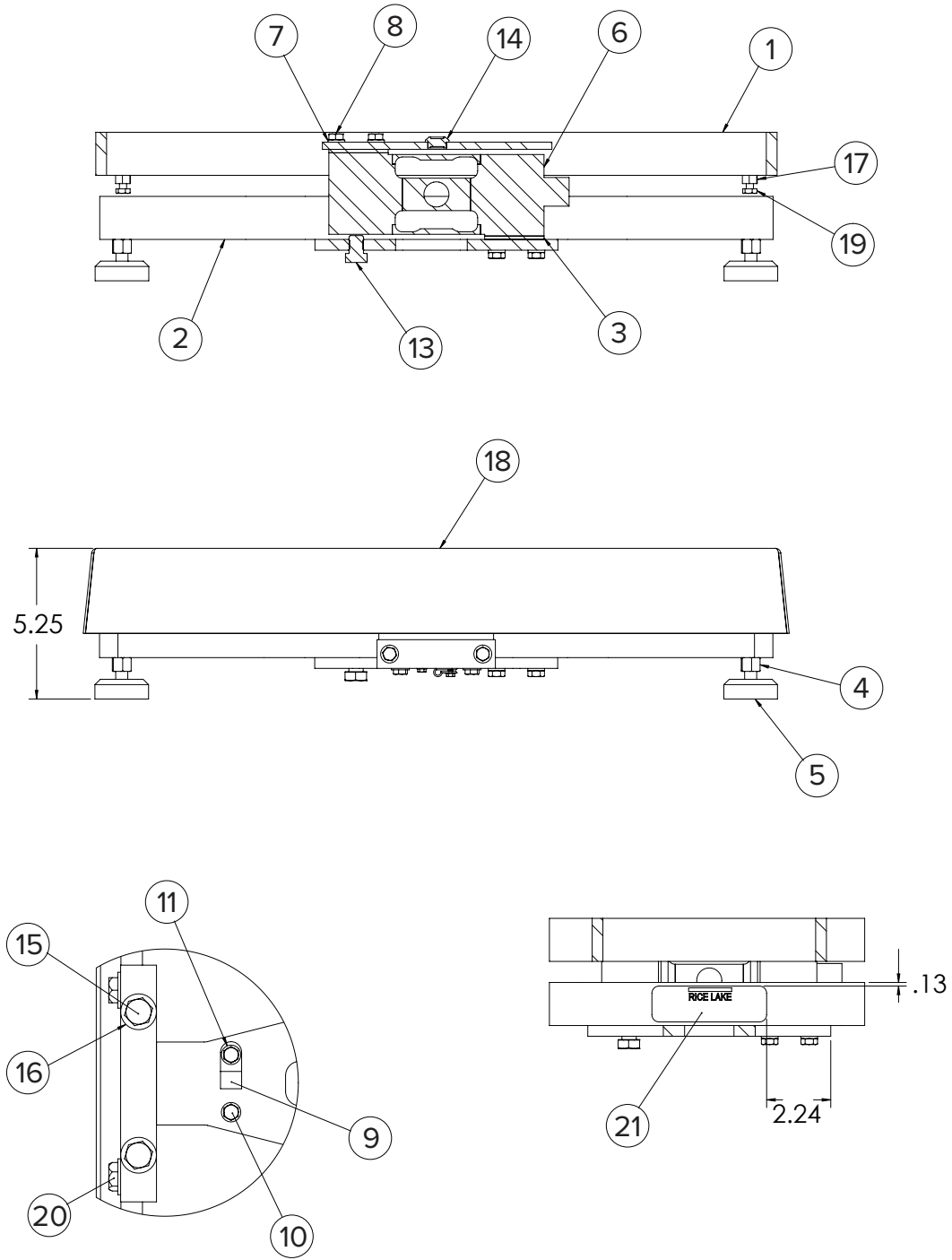
Ref#	Part#	Description	Price
1	191781	Frame, top weldment 24 x 24 in	Consult
2	191770	Frame, bottom 24 x 24 in SST	Consult
3	191519	Shim, RLPCBC load cell sst	Consult
4	191518	Nut coupling 1/2-20NF	Consult
5	191885	Foot	Consult
6	87023	Load cell, RLPCBC-60 100 kg (100 to 150 lb models)	Consult
6	87024	Load cell, RLPCBC-60 250 kg (200 to 300 lb models)	Consult
6	87025	Load cell, RLPCBC-60 500 kg (500 lb model)	Consult
6	87026	Load cell, RLPCBC-60 1000 kg (1,000 lb model)	Consult
7	15154	5/16 Lock washer set	Consult
8	49789	Cap screw 5/16-18 NC x 1.25 hex head sst	Consult
9	15409	Clamp, nylon cable	Consult
10	184359	Screw, 8-32 x 1/4 hex head 18-8 sst	Consult
11	15132	Washer, locking, #8 SS	Consult
13	195665	Screw, cap 1/2-20 NF x 5/8 hex head	Consult
14	187195	Spirit level bubble	Consult
15	14963	Overload screw, 1/4-20 NC x 3/4	Consult
16	15149	Washer, flat, 1/4 Type A, SS	Consult
17	105555	Coupling nut 1/4-20NC x 0.48, hex SS	Consult
18	19096	Top cover 24 x 24 SST	Consult
19	151269	Screw, cap 1/4-20 hhcs 18-8 sst p-t	Consult
20	14954	Screw, cap 1/4-20 NC x 3/8 sst	Consult
21	52342	Label, bench scale	Consult

(See Diagram BenchMark-HE-X)

### TOP VIEW OF SCALE SHOWN WITH COVER REMOVED FOR CLARITY



BENCH SCALES  
**BenchMark® HE-X**  
 24 x 24 inch

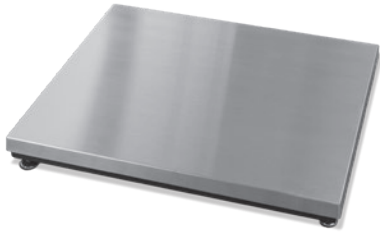


Bench Scales

BENCH SCALES

# BenchMark® LP

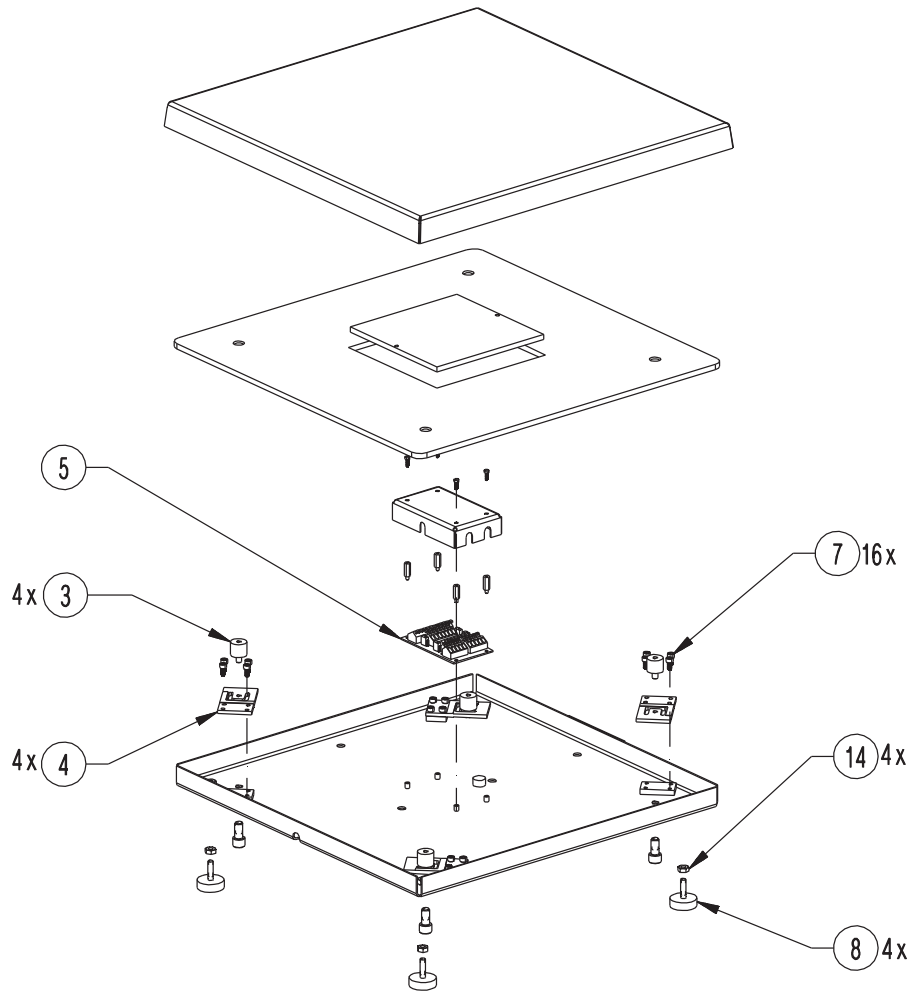
18 x 18in or 24 x 24in 100lb/250lb/500lb



## Part Number/Price

Ref#	Part#	Description	Price
5	88958	Board, 4 Channel ST	Consult
<b>100 lb</b>			
3	96823	Load Mount, male-female	Consult
4	100272	Load Cell SEB, RLBLP-15 kg	Consult
7	14931	Screw, Cap 10-32 NF x 3/8 hex	Consult
8	35128	Foot, 1/4-20 NC x 1 3/16 SS	Consult
14	14636	Nut, Jam 1/4 20 NC hex	Consult
<b>250 lb</b>			
3	96824	Load Mount, male-female	Consult
4	104645	Load Cell SEB, RLBLP 37.5 kg	Consult
7	14959	Screw, Cap 1/4 20 NC x 1/2 hex	Consult
8	19141	Foot, Bench Scale 3/8-16 NC	Consult
14	14649	Nut, Jam 3/8-16 NC hex	Consult
<b>500 lb</b>			
3	96825	Load Mount, male-female	Consult
4	100273	Load Cell SEB, RLBLP-75 kg	Consult
7	14959	Screw, Cap 1/4 20 NC x 1/2 hex	Consult
8	19141	Foot, Bench Scale 3/8-16 NC	Consult
14	14649	Nut, Jam 3/8-16 NC hex	Consult

(See Diagram BenchMark-LP)



BenchMark-LP

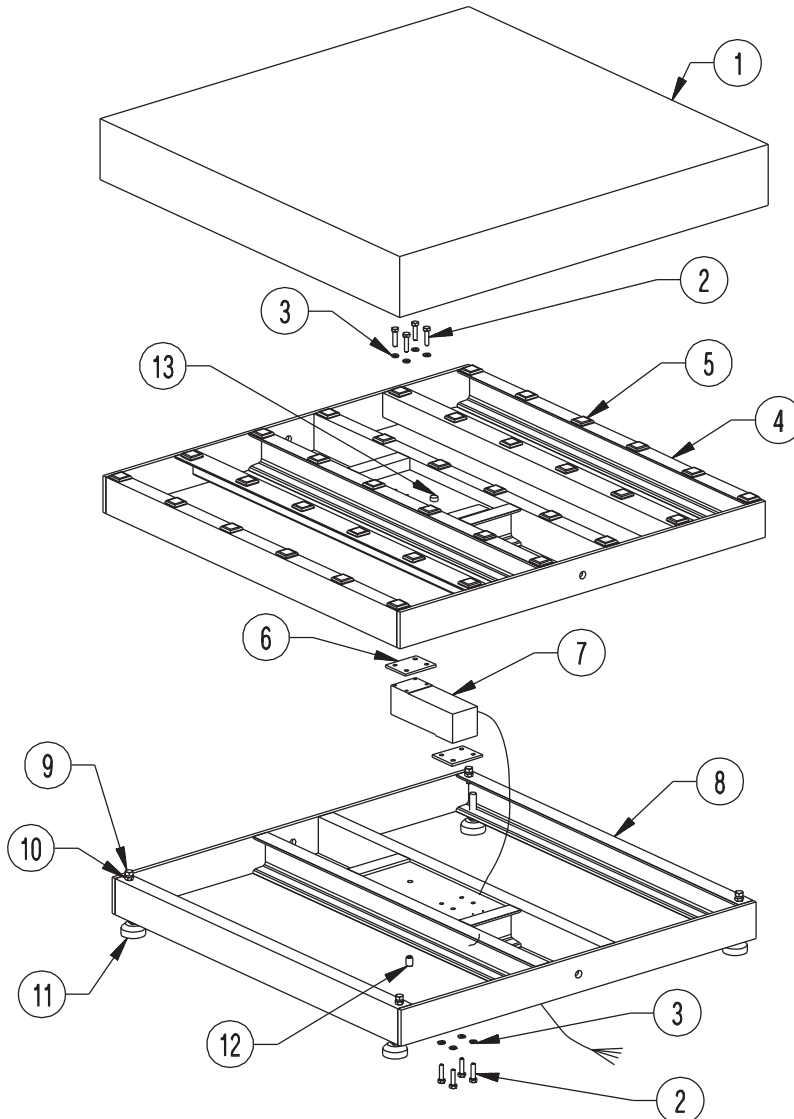




**Part Number/Price**

Ref#	Part#	Description	Price
1	93775	Top cover, 30 in x 30 in	Consult
1	93768	Top cover, 36 in x 36 in	Consult
2	49788	Screw, cap, 5/16-18 NC x 1 1/4, hex	Consult
3	15153	Lock washer, 5/16 regular	Consult
4	93758	Top frame, 30 in x 30 in	Consult
4	93760	Top frame, 36 in x 36 in	Consult
5	26407	Bumper, self adhesive	Consult
6	87358	Shim, 3/16 x 2 - 3/8-16 NC x 1	Consult
7	41024	Load cell, RL1260-250 lb scale	Consult
7	41026	Load cell, RL1260-500 lb scale	Consult
8	93759	Bottom frame 30 in x 30 in	Consult
8	93761	Bottom frame 36 in x 36 in	Consult
9	14742	Hex head bolt, 3/8-16 NC x 1	Consult
10	14649	Hex jam nut, 3/8-16 NC	Consult
11	74585	Bench scale foot	Consult
12	15051	Set screw, 1/2-20 NF x 3/4	Consult
13	15410	Spirit level bubble, plastic	Consult

(See Diagram BenchMark-HD)



BenchMark-HD

Bench Scales



**Part Number/Price**

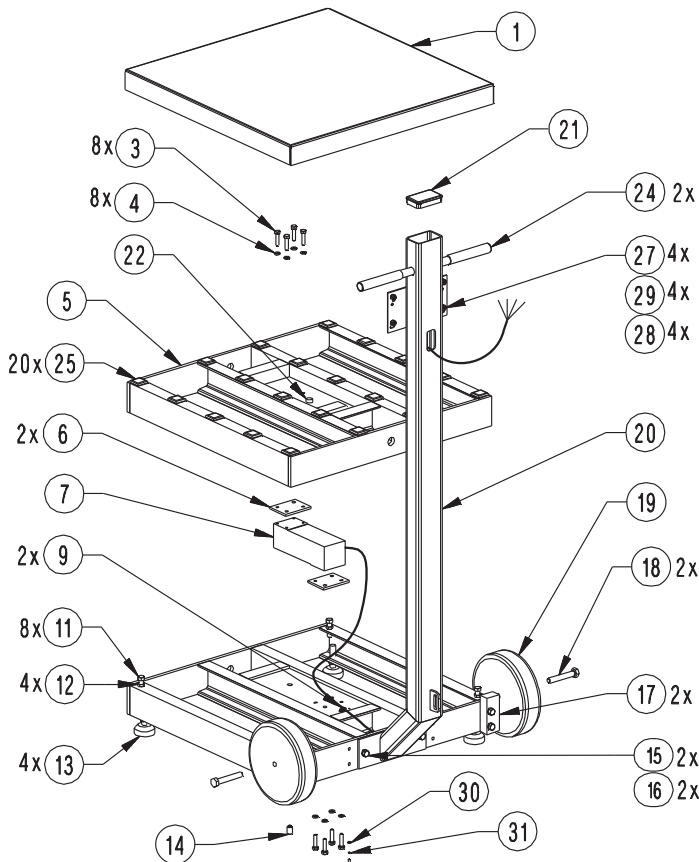
Part#	Description	Price
<b>S-YB &amp; S-TL</b>		
85532	Load cell, S-YB 150 lb/60 kg scale	Consult
85303	Load cell, S-YB 300 lb/150 kg scale	Consult
85533	Load cell, S-YB 600 lb/300 kg scale	Consult
75017	Support, foot platter S-SL, S-UL, S-TL	Consult
<b>S-YC</b>		
161475	Platter, 2.5 - 25 kg	Consult
161476	Platter, 500 g	Consult
161477	Platter, 1 kg	Consult
109250	Feet	Consult
109251	Nut for foot	Consult
163481	Cable assembly	Consult
161471	Load cell 500 g	Consult
161472	Load cell 1 kg	Consult
161473	Load cell 2.5 kg	Consult
90154	Load cell 5 kg	Consult
161474	Load cell 10 kg	Consult
90156	Load cell 25 kg	Consult
<b>S-XL &amp; S-XD</b>		
65946	Load cell, single/dual type 25 lb capacity	Consult
65945	Load cell, single type 50 lb capacity	Consult
75012	Spider 25 lb 192D	Consult
73459	Spider 5/10/25 lb	Consult
73445	Spider 50/100 lb	Consult
65955	Platter 1 lb single	Consult
65958	Platter 10 lb and up	Consult
65959	Platter 25 lb 192D	Consult
73446	Platter support DC-190	Consult
74969	Platter support type B, DC-190	Consult
65966	Platform feet	Consult

**Part Number/Price**

Ref#	Part#	Description	Price
1	94351	Top cover,	Consult
3	49788	Screw, cap, 5/16-18 NC x 1 1/4, hex	Consult
4	15153	Washer, lock, 5/16 regular,	Consult
6	87358	Shim, 3/16 x 2-3/8 x 3 SST	Consult
7	41024	Load cell, RL1260-250 lb scale	Consult
7	41026	Load cell, RL1260-500 lb scale	Consult
9	14858	Screw, Mach, 8-32 NC x 5/16, MS	Consult
11	14745	Bolt, 3/8-16 NC x 1/2 full	Consult
12	14649	Nut, Jam 3/8-16 NC hex	Consult
13	74585	Foot, floor scale rigid	Consult
14	15051	Screw, set 1/2-20 NF x 3/4	Consult
15	14742	Hex head bolt, 3/8-16 NC x 1	Consult
16	15159	Washer, lock 3/8 regular	Consult
17	94645	Axle support	Consult
18	14757	Bolt, 1/2-13 NC x 3 hex head	Consult
19	94268	Wheel, 8 in diameter x 1/2	Consult
20	94646	Column WLDT	Consult
21	94264	Plug, cap rectangular tube	Consult
22	15410	Spirit level bubble, plastic	Consult
24	41266	Grip, handle 3/4 I.D.	Consult
25	26407	Bumper, self adhesive	Consult
27	14955	Screw, cap 1/4-20 NC x 1/2	Consult
28	15147	Washer, lock 1/4 regular	Consult
29	14641	Nut, 1/4-20 NC hex steel	Consult
30	15138	Washer, plain STD no 8 SST	Consult
31	15134	Washer, lock no 8 type A	Consult



(See Diagram BenchMark-HDP Wheel Model)



BenchMark-HDP Wheel Model

Bench Scales

BENCH SCALES

# BenchMark® HDP

Caster Model

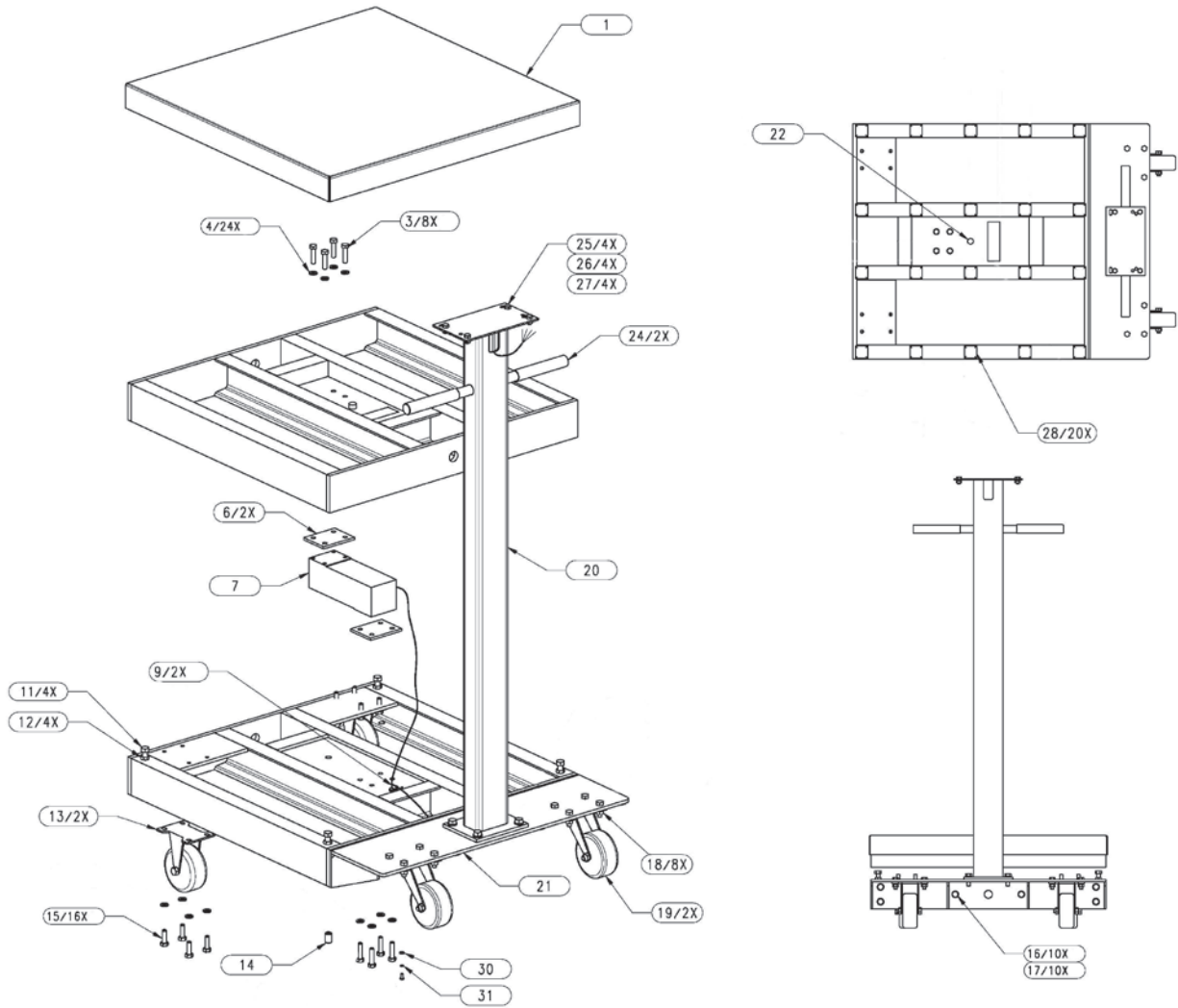


## Part Number/Price

Ref#	Part#	Description	Price
1	94351	Top cover	Consult
3	49788	Screw, cap, 5/16-18 NC x 1 1/4, hex	Consult
4	15153	Washer, lock, 5/16 regular,	Consult
6	87358	Shim, 3/16 x 2-3/8 x 3 SST	Consult
7	41024	Load cell, RL1260-250 lb scale	Consult
7	41026	Load cell, RL1260-500 lb scale	Consult
9	14858	Screw, Mach, 8-32 NC x 5/16, MS	Consult
11	14745	Bolt, 3/8-16 NC x 1/2 full	Consult
12	14649	Nut, Jam 3/8-16 NC hex	Consult
13	94267	Rigid caster	Consult
14	15051	Screw, set 1/2-20 NF x 3/4	Consult
15	26668	Screw, cap, 5/16-18 NC x 3/4, hex	Consult
16	15159	Washer, lock 3/8 regular	Consult
17	14742	Hex head bolt, 3/8-16 NC x 1	Consult
18	14647	Nut	Consult
19	94266	Swivel caster	Consult
20	98520	Column WLDT	Consult
21	98516	Caster support WLDT	Consult
22	15410	Spirit level bubble, plastic	Consult
24	41266	Grip, handle 3/4 I.D.	Consult
25	14955	Screw cap.	Consult
26	15147	Washer, lock 1/4 regular	Consult
27	14641	Nut	Consult
28	26407	Bumper, self adhesive	Consult
30	15138	Washer, plain STD no 8 SST	Consult
31	15134	Washer, lock no. 8 type A	Consult

(See Diagram BenchMark-HDP Caster Model)

BENCH SCALES  
**BenchMark® HDP**  
 Caster Model



BenchMark-HDP Caster Model

Bench Scales

BENCH SCALES

# BenchPro™ BP-P, BP-S, BP-R

Caster Model



BenchPro BP-P



BenchPro BP-S



BenchPro BP-R

## Part Number/Price

Part#	Description	Price
174782	Power supply	Consult
179191	Primary operator display	Consult
174786	USB cable	Consult
197759	10 ft cable, RS232 DB9M to DB9F	Consult
<b>BP-S</b>		
196554	Main PCB, BP-S/BP-SB/BP-SR Shipping	Consult
174879	Model BP 1214-75S	Consult
179680	Load cell for PN 174879	Consult
179185	Scale foot for PN 174879	Consult
182993	Model BP 1216-75S	Consult
91731	Load cell for 182993	Consult
182391	Model BP 1818-50S	Consult
91684	Load cell for 182391	Consult
182378	Model BP 1818-75S	Consult
91686	Load cell for PN 182378	Consult
182382	Model BP 1818-150S	Consult
182395	Model BP 2020-150S	Consult
182399	Model BP 2424-150S	Consult
91688	Load cell for PN 182382, 182395, 182399	Consult
19141	Scale foot for PN 182993, 182391, 182378, 182382, 182395, 182399	Consult
182414	PCB with shipping software	Consult
214462	Screw, Seal, SS-2320 (12 x 14 in scale only)	Consult
<b>BP-SB</b>		
196554	Main PCB, BP-S/BP-SB/BP-SR Shipping	Consult
182995	Model BP 1216-75S	Consult
91731	Load cell for 182995	Consult
182393	Model BP 1818-50S	Consult
91684	Load cell for 182393	Consult
182380	Model BP 1818-75S	Consult
91686	Load cell for PN 182380	Consult
182384	Model BP 1818-150S	Consult
182397	Model BP 2020-150S	Consult
182401	Model BP 2424-150S	Consult
91688	Load cell for PN 182384, 182397, 182401	Consult
19141	Foot, Bench Scale 3/8-16NC	Consult
182414	PCB with shipping software	Consult
<b>BP-SR</b>		
196554	Main PCB, BP-S/BP-SB/BP-SR Shipping	Consult
182996	Model BP 1216-75S	Consult
91731	Load cell for 182996	Consult
182394	Model BP 1818-50S	Consult
91684	Load cell for 182394	Consult
182381	Model BP 1818-75S	Consult
91686	Load cell for PN 182381	Consult
182386	Model BP 1818-150S	Consult
182398	Model BP 2020-150S	Consult
182402	Model BP 2424-150S	Consult
91688	Load cell for PN 182386, 182398, 182402	Consult
19141	Foot, Bench Scale 3/8-16NC	Consult
182414	PCB with shipping software	Consult
<b>BP-P</b>		
179648	Main PCB, BP-P Postal	Consult
187832	Model BP-P 1214-35 kg capacity triple range	Consult
195741	Model BP-P 1214-35 kg capacity triple interval	Consult
192361	Model BP-P 1214-70 lb capacity dual range	Consult
195742	Model BP-P 1214-70 lb capacity dual interval	Consult
187833	Load cell	Consult
179185	Scale foot	Consult
182416	PCB with postal software	Consult
214462	Screw, Seal, SS-2320	Consult
<b>BP-R</b>		
179651	Main PCB, BP-R Retail	Consult

**Part Number/Price**

Part#	Description	Price
116184	Platter	Consult
109250	Foot (does not include foot nut)	Consult
109251	Foot nut	Consult
116319	Sealing screw	Consult
117229	RLP-S6, 6 lb overlay	Consult
117230	RLP-S15, 15 lb overlay	Consult
117231	RLP-S30, 30 lb overlay	Consult
117232	RLP-S60, 60 lb overlay	Consult
129827	RLP-SM3, 3 kg overlay	Consult
129828	RLP-SM6, 6 kg overlay	Consult
129829	RLP-SM15, 15 kg overlay	Consult
129830	RLP-SM30, 30 kg overlay	Consult
108518	AC adapter 110-240 US plug	Consult
129953	AC adapter 110-240 Euro plug	Consult
117962	Battery cover	Consult
108516	Rechargeable battery, 6V 5AH	Consult
117963	AC outlet cover	Consult
154738	Adhesive cover sheet	Consult



BENCH SCALES

# DIGI® DS-160



## Part Number/Price

Part#	Description	Price
74936	Filter, DS-160	Consult
74935	Key sheet, lb DS-160	Consult
85267	Main board, DS-160	Consult
74512	Tube, display LCD D120	Consult
77370	Power supply 120VAC 15VDC 300mA	Consult
74894	Key switch	Consult
74897	Key switch pressure plate	Consult

*For scale replacement parts see DIGI S-YB base on page 60*



BENCH SCALES  
**DIGI® DS-520**

**Part Number/Price**

Part#	Description	Price
73618	Battery holder D1-10	Consult
74894	Key switch DS-520	Consult
74888	Pre-amplifier board	Consult
74890	Key sheet cap, 160 lb DS-520	Consult
74891	Key sheet cap, 150 lb DS-520	Consult
74892	Key sheet cap, 300 lb DS-520	Consult
74987	Level bubble	Consult
75180	Platform bracket	Consult
73382	Optional AC power supply	Consult
74897	Key switch pressure plate	Consult

*For scale replacement parts please see S-YE base on page 60*



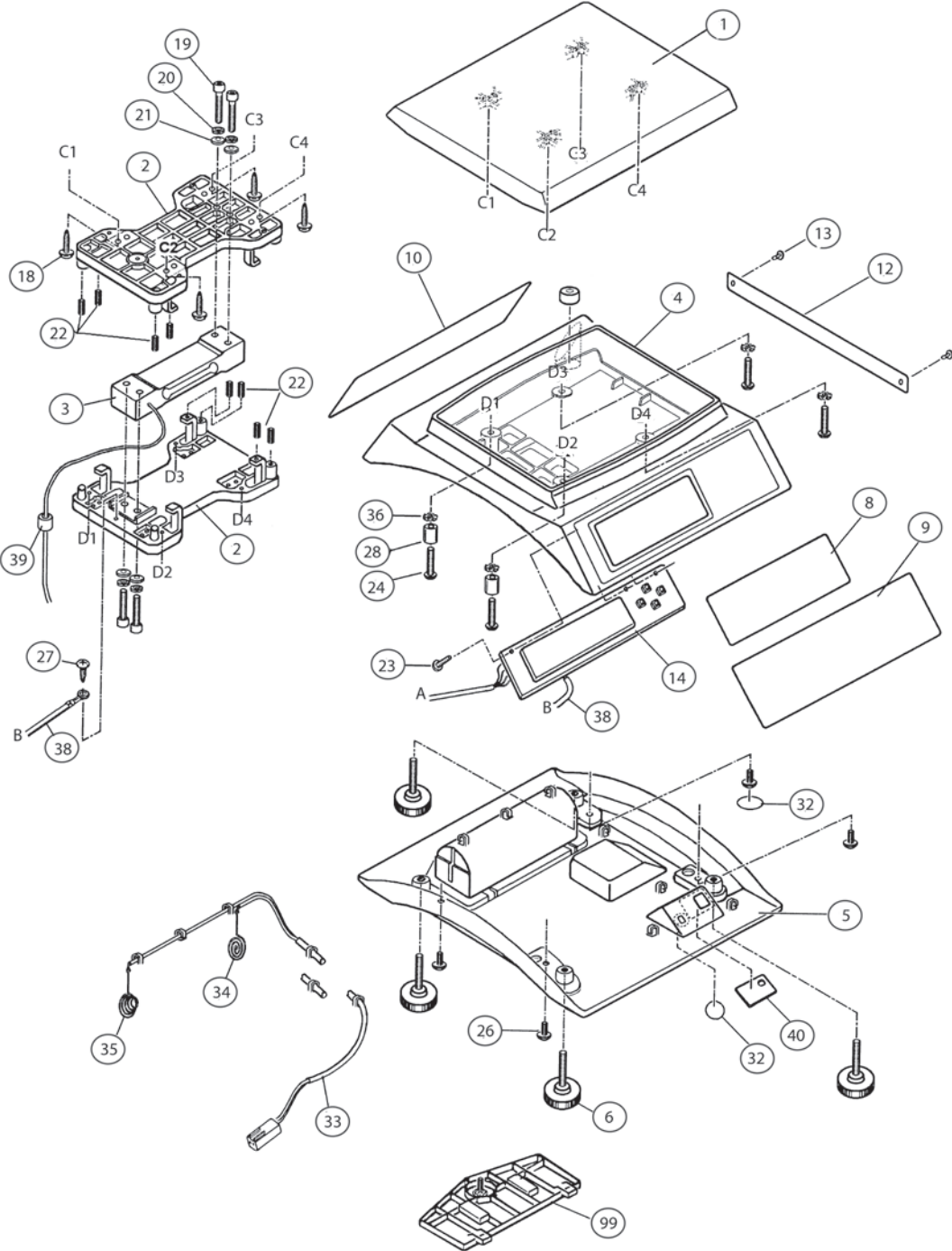
**Bench Scales**



Part Number/Price

Ref#	Part#	Description	Price
<b>IPC 6 lb &amp; 15 lb Single Display</b>			
1	<b>78916</b>	Platter, 900-0272-28	Consult
2	<b>Consult</b>	Plate support, 900-0268-22	Consult
3	<b>87788</b>	15 lb load cell (CZL-6D-C3-5 kg-1000), 900-1520-07	Consult
4	<b>Consult</b>	Case, 900-0271-51	Consult
5	<b>Consult</b>	Base, 900-0293-44	Consult
6	<b>79432</b>	Foot level, 900-0025-15	Consult
8	<b>87786</b>	Lucent Plate, 900-0367-00	Consult
9	<b>78912</b>	6 lb sheet display front, 900-1360-17	Consult
9	<b>78913</b>	15 lb sheet display front, 900-1359-12	Consult
10	<b>87791</b>	Sheet display rear, 900-1357-06	Consult
12	<b>Consult</b>	Name plate specification, 900-0597-00	Consult
13	<b>Consult</b>	Push rivet, 900-1302-01	Consult
14	<b>87784</b>	PWB PS-005A, 900-0744-17	Consult
15	<b>44425</b>	Level unit, 900-0223-07	Consult
28	<b>Consult</b>	Sleeve, 900-1384-07	Consult
33	<b>Consult</b>	Battery harness, 900-1074-11	Consult
34	<b>Consult</b>	Spring 1, 900-1013-05	Consult
35	<b>Consult</b>	Spring 2, 900-1014-18	Consult
38	<b>Consult</b>	Harness S1:GND, 900-0495-12	Consult
39	<b>Consult</b>	Filter, 900-1655-06	Consult
40	<b>Consult</b>	Protect sheet, 900-1309-16	Consult
99	<b>Consult</b>	Cover battery AS, 900-0782-02	Consult
<b>IPC 6 lb &amp; 15 lb Dual Display</b>			
1	<b>78916</b>	Platter, 900-0272-28	Consult
2	<b>Consult</b>	Plate support, 900-0272-28	Consult
3	<b>87788</b>	15 lb load cell (CZL-6D-C3-5 kg-1000), 900-1520-07	Consult
4	<b>Consult</b>	Case, 900-0271-51	Consult
5	<b>Consult</b>	Base, 900-0293-44	Consult
6	<b>79432</b>	Foot level, 900-0025-15	Consult
8	<b>87786</b>	Lucent plate, 900-0367-00	Consult
9	<b>78912</b>	6 lb sheet display front, 900-1360-17	Consult
9	<b>78913</b>	15 lb sheet display front, 900-1359-12	Consult
10	<b>87798</b>	6 lb sheet display rear, 900-1358-00	Consult
10	<b>87799</b>	15 lb sheet display rear, 900-1356-02	Consult
12	<b>Consult</b>	Name plate specification, 900-0597-00	Consult
13	<b>Consult</b>	Push rivet, 900-1302-01	Consult
14	<b>87784</b>	PWB PS-005A, 900-0744-47	Consult
15	<b>44425</b>	Level unit, 900-0223-07	Consult
16	<b>87785</b>	PWB PS-006, customer side (not shown) 900-1156-04	Consult
17	<b>Consult</b>	6 lb display harness, 900-1297-15 (not shown)	Consult
17	<b>Consult</b>	15 lb display harness, 900-1075-33 (not shown)	Consult
28	<b>Consult</b>	Sleeve, 900-1384-07	Consult
33	<b>Consult</b>	Battery harness, 900-1074-11	Consult
34	<b>Consult</b>	Spring 1, 900-1013-05	Consult
35	<b>Consult</b>	Spring 2, 900-1014-18	Consult
38	<b>Consult</b>	Harness S1 GND, 900-1655-06	Consult
39	<b>Consult</b>	Filter, 900-1655-06	Consult
40	<b>Consult</b>	Protect sheet, 900-1309-16	Consult
99	<b>Consult</b>	Cover battery AS, 900-0782-02	Consult

(See Diagram IPC-6 lb & 15 lb - Single/Dual)



IPC-6lb & 15lb-Single/Dual

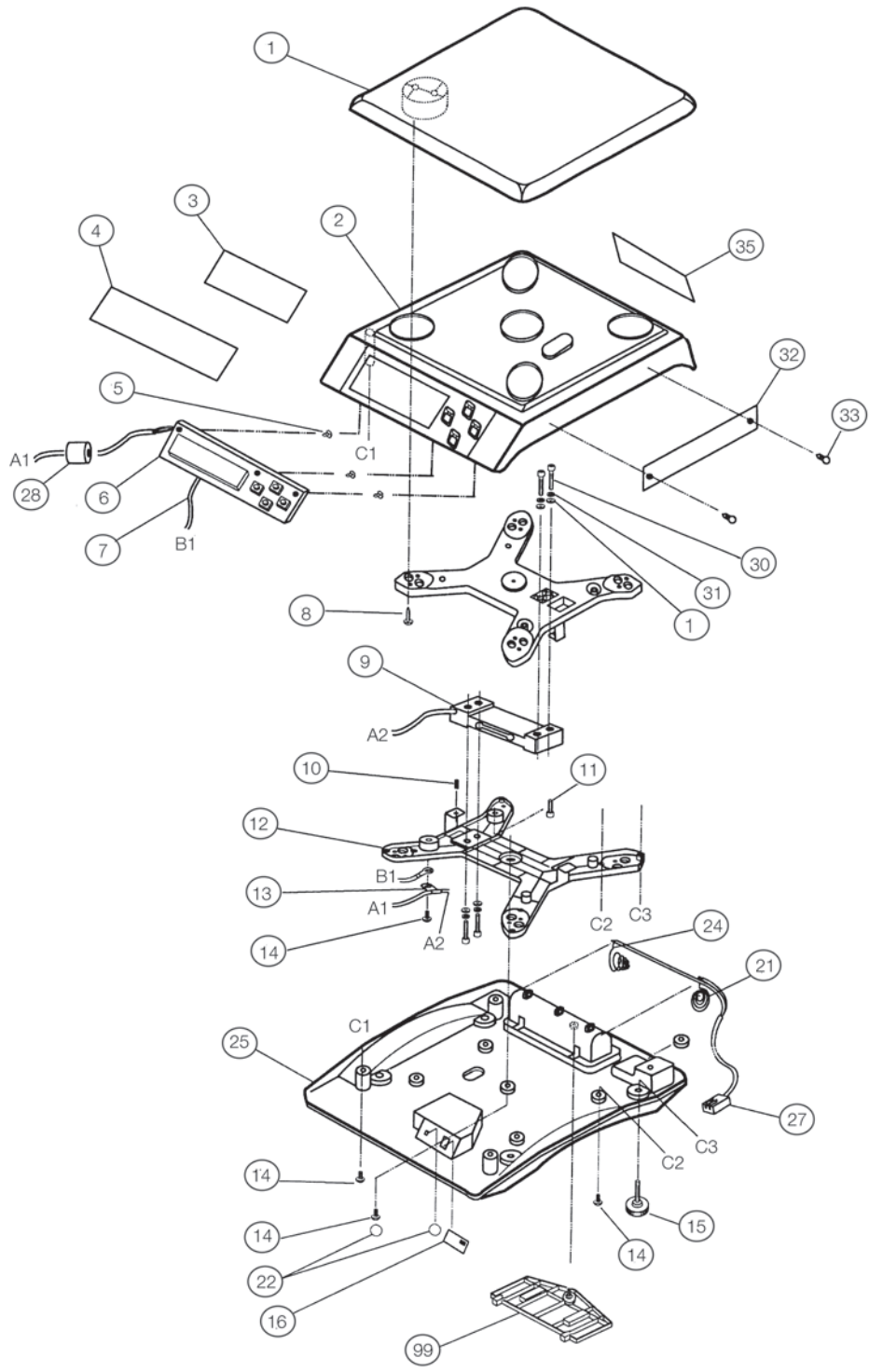
Bench Scales



Part Number/Price

Ref#	Part#	Description	Price
<b>IPC 30 lb &amp; 60 lb Single Display</b>			
1	78917	Platter, 900-0349-20 (Obsolete)	Consult
2	Consult	Case, 900-0408-45	Consult
3	87786	Lucent plate, 900-0367-00	Consult
4	78914	30 lb sheet display front, 900-1314-15	Consult
4	78915	60 lb sheet display front, 900-1361-11	Consult
6	87784	PWB PS-005A, 900-0744-47	Consult
7	Consult	Harness S1 GND, 900-0495-12	Consult
9	87789	30 lb load cell (CZL-6D-C3-25 kg-100) 900-1521-01	Consult
9	87790	60 lb load cell (CZL-6D-C3-25 kg-100) 900-1522-04	Consult
12	Consult	Plate, support, 9000409-30	Consult
13	Consult	Clamp, 900-1194-06	Consult
15	79432	Foot, level, 900-0025-15	Consult
21	Consult	Spring 1, 900-1013-05	Consult
23	44425	Level unit, 900-0223-07	Consult
24	Consult	Spring 2, 900-1014-18	Consult
25	Consult	Base, 900-0410-34	Consult
27	Consult	Battery harness, 900-1298-00	Consult
28	Consult	Filter core, 900-1655-06	Consult
32	Consult	Name plate: specification, 900-0599-07	Consult
33	Consult	Push rivet, 900-1302-01	Consult
35	87791	Sheet display rear, 900-1357-06	Consult
99	Consult	Cover battery AS, 900-0782-02	Consult
<b>IPC 30 lb &amp; 60 lb Dual Display</b>			
1	78917	Platter, 900-0349-20 (Obsolete)	Consult
2	Consult	Case, 900-0408-45	Consult
3	87786	Lucent plate, 900-0367-00	Consult
4	78914	30 lb sheet display front, 900-1314-15	Consult
4	78915	60 lb sheet display front, 900-1361-11	Consult
6	87784	PWB PS-005A, 900-0744-47	Consult
7	Consult	Harness S1 GND, 900-0495-12	Consult
9	87789	30 lb load cell (CZL-6D-C3-25 kg-100) 900-1521-01	Consult
9	87790	60 lb load cell (CZL-6D-C3-25 kg-100) 900-1522-04	Consult
12	Consult	Plate support, 9000409-30	Consult
13	Consult	Clamp, 900-1194-06	Consult
15	79432	Foot level, 900-0025-15	Consult
21	Consult	Spring 1, 900-1013-05	Consult
23	44425	Level unit, 900-0223-07	Consult
24	Consult	Spring 2, 900-1014-18	Consult
25	Consult	Base, 900-0410-34	Consult
26	Consult	30 lb display harness, 900-1075-33	Consult
26	Consult	60 lb display harness, 900-1298-15	Consult
27	Consult	Battery harness, 900-1298-00	Consult
28	Consult	Filter core, 900-1655-06	Consult
32	Consult	Name plate specification, 900-0599-07	Consult
33	Consult	Push rivet, 900-1302-01	Consult
34	87785	PWB PS-006, customer side 900-1156-04 (not shown)	Consult
35	87800	30 lb sheet display: rear, 900-1368-07	Consult
35	87801	60 lb sheet display: rear, 900-1369-01	Consult
99	Consult	Cover battery AS, 900-0782-02	Consult

(See Diagram IPC-30 lb & 60 lb - Single/Dual)



IPC-30 lb & 60 lb-Single/Dual

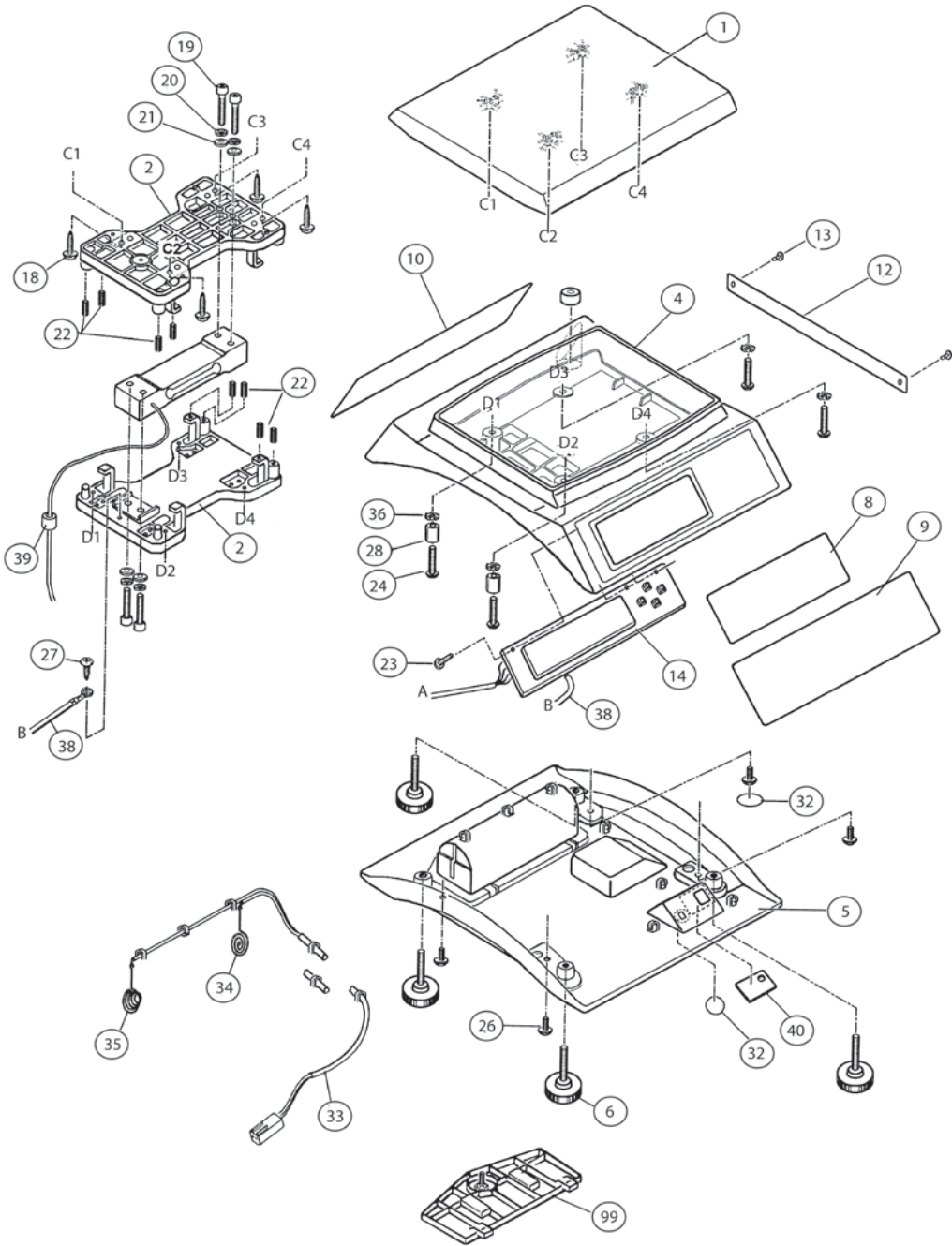
Bench Scales



Part Number/Price

Ref#	Part#	Description	Price
<b>IPC 100 oz Single Display</b>			
1	<b>78916</b>	Platter, 900-0272-28	Consult
2	<b>Consult</b>	Plate support, 900-0268-22	Consult
4	<b>Consult</b>	Case, 900-0271-51	Consult
5	<b>Consult</b>	Base, 900-0293-35	Consult
6	<b>79432</b>	Foot level, 900-0025-15	Consult
8	<b>87786</b>	Lucent plate, 900-0367-00	Consult
9	<b>78911</b>	Sheet display front	Consult
10	<b>87791</b>	Sheet display rear	Consult
12	<b>Consult</b>	Name plate specification, 900-0597-00	Consult
13	<b>Consult</b>	Push rivet, 900-1302-01	Consult
14	<b>87784</b>	PWB PS-005A, 900-0744-47	Consult
15	<b>44425</b>	Level unit, 900-0223-07	Consult
28	<b>Consult</b>	Sleeve, 900-1384-07	Consult
33	<b>Consult</b>	Battery harness, 900-1074-11	Consult
34	<b>Consult</b>	Spring 1, 900-1013-05	Consult
35	<b>Consult</b>	Spring 2, 900-1014-18	Consult
38	<b>Consult</b>	Harness S1 GND, 900-0495-12	Consult
39	<b>Consult</b>	Filter, 900-1655-06	Consult
40	<b>Consult</b>	Protect sheet, 900-1309-16	Consult
99	<b>Consult</b>	Cover battery AS, 900-0782-02	Consult
<b>IPC 100 oz Dual Display</b>			
1	<b>78916</b>	Platter, 900-0272-28	Consult
2	<b>Consult</b>	Plate support, 900-0268-31	Consult
4	<b>Consult</b>	Case, 900-0271-51	Consult
5	<b>Consult</b>	Base, 900-0293-44	Consult
6	<b>79432</b>	Foot level, 900-0025-15	Consult
8	<b>87786</b>	Lucent plate, 900-0367-00	Consult
9	<b>78911</b>	Sheet display front, 900-0577-14	Consult
12	<b>Consult</b>	Nameplate specification, 900-0597-00	Consult
13	<b>Consult</b>	Push rivet, 900-1302-01	Consult
14	<b>87784</b>	PWB PS-005A, 900-0744-56	Consult
15	<b>44425</b>	Level unit, 900-0223-07	Consult
16	<b>87785</b>	PWB PS-006, 900-1156-04	Consult
17	<b>Consult</b>	Display harness, 900-1298-00	Consult
28	<b>Consult</b>	Sleeve, 900-1384-07	Consult
33	<b>Consult</b>	Battery harness, 900-1298-00	Consult
34	<b>Consult</b>	Spring 1, 900-1013-05	Consult
35	<b>Consult</b>	Spring 2, 900-1014-18	Consult
38	<b>Consult</b>	Harness S1 GND, 900-0495-12	Consult
39	<b>Consult</b>	Filter, 900-1655-06	Consult
40	<b>Consult</b>	Protect sheet, 900-1309-16	Consult
99	<b>Consult</b>	Cover, battery AS, 900-0782-02	Consult

(See Diagram IPC-100 oz - Single/Dual)



IPC-100 oz-Single/Dual

Bench Scales



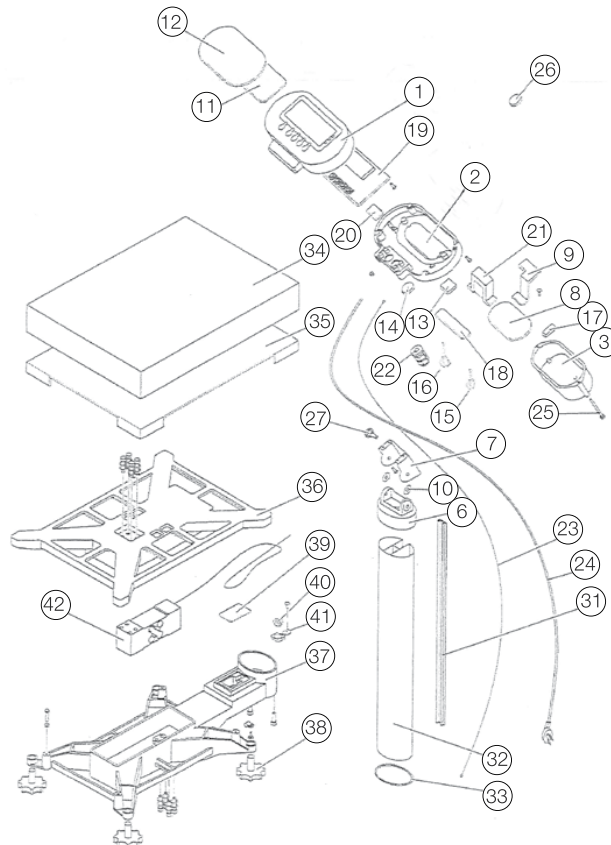
BENCH SCALES

# Ishida iGX & iGB



## Part Number/Price

Ref #	Part #	Description	Price
1	103493	Front case, iGB	Consult
1	108630	Front case iGX	Consult
2	103494	Rear battery cover, iGB	Consult
2	108632	Rear battery case iGX	Consult
3	103495	Battery case, iGB	Consult
3	108635	Battery cover iGX	Consult
6	103496	Pole top bracket, iGX/iGB	Consult
7	103497	Indicator bracket, iGX/iGB	Consult
10	103498	Rubber pole washer, iGX/iGB	Consult
11	91798	Display filter iGX/iGB	Consult
12	91794	Display sheet 150 lb, iGB	Consult
12	91795	Display sheet 300 lb, iGB	Consult
12	91796	Display sheet 150 lb, iGX	Consult
12	91797	Display sheet 300 lb, iGX	Consult
14	103499	Rear case sheet cover, iGB only	Consult
19	91799	CPU board, iGB	Consult
19	91800	CPU board, iGX	Consult
20	91801	Battery board, iGB only	Consult
21	91802	Transformer, iGX	Consult
25	179638	Thumb screw, knurled head	Consult
32	182364	Pole stand, iGB iGX scale pole Ishida	Consult
34	91804	Platter, iGX/iGB	Consult
38	91805	Foot, iGX/iGB	Consult
42	91808	Load cell, iGX/iGB 150 lb scale	Consult
42	91809	Load cell, iGX/iGB 300 lb scale	Consult
	75473	AC adaptor, iGB	Consult



© 2021 Rice Lake Weighing Systems 01/19. Prices and specifications subject to change without notice. Visit ricelake.com for current prices.





# BenchMark® Mobile Carts



## Part Number/Price

Ref #	Part #	Description	Price
<b>MCT-10 Mild Steel</b>			
3	190405	Caster 4 in rigid SST	Consult
4	190404	Caster 4 in swivel with brake SST	Consult
5	15148	Washer, locking	Consult
6	15153	Lock washer, 5/16 regular	Consult
7	14646	Lock nut 5/16-18NC	Consult
8	127004	Cap screw 5/16-18 x 3/4 hex head	Consult
9	191605	Indicator stand, 18 in SST	
<b>MCT-10 Stainless Steel</b>			
3	190405	Caster 4 in rigid SST	Consult
4	190404	Caster 4 in swivel with brake SST	Consult
5	170653	Cap screw 5/16-18NC x 2 hex head	Consult
6	15154	Lock washer 5/16 regular	Consult
7	128101	Nut, hex 5/16-18 SST	Consult
8	26669	Cap screw 5/16-18 NC x 3/4 hex SST	Consult
9	191605	Indicator stand, 18 in SST	



