

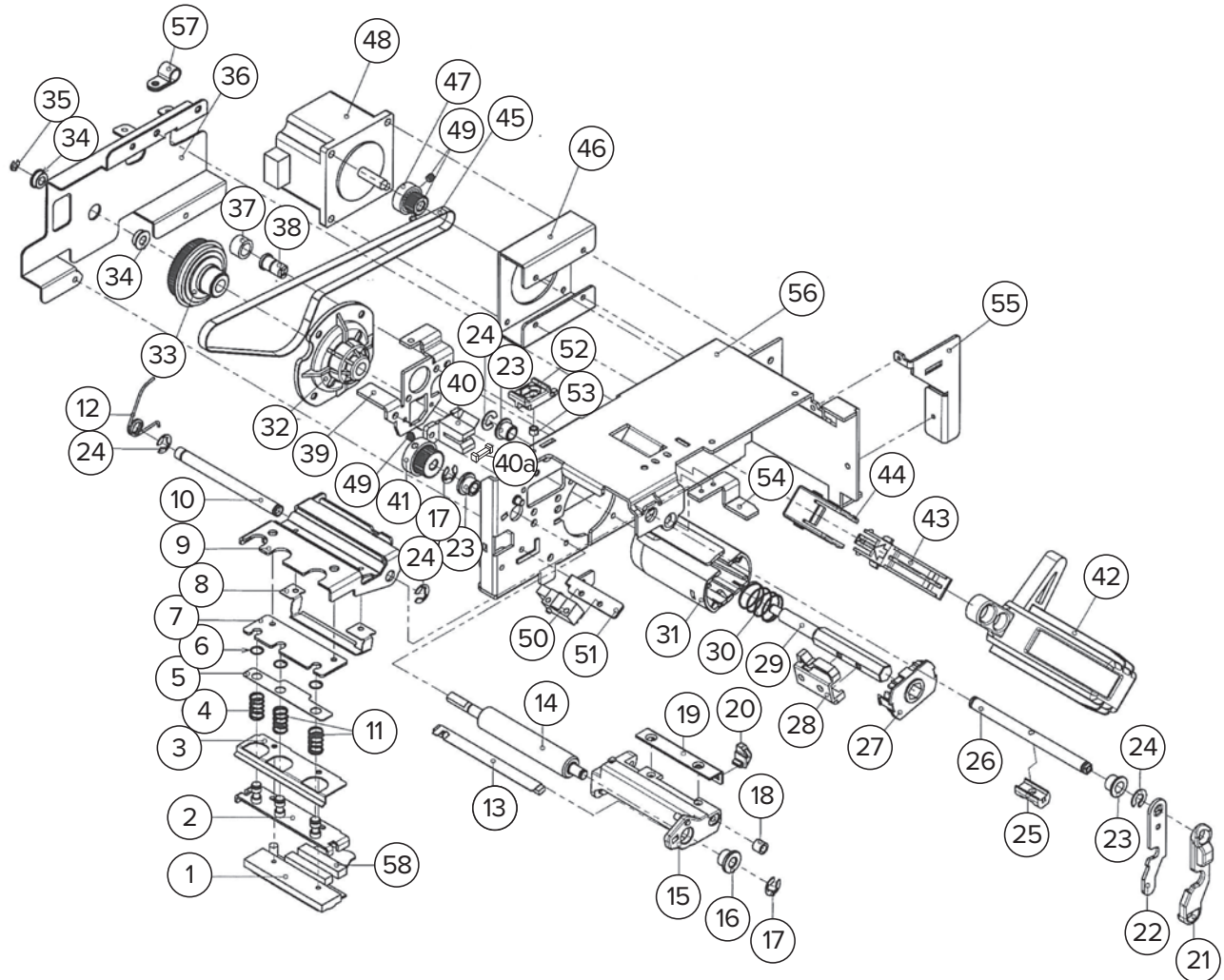
# Uni-5

Pole, Printer



## Part Number/Price

Ref #	Part #	Description	Synonym	Price
1	119169	Thermal head, CHX56-8359, 1100 ohm	089-5669-08	Consult
—	41732	M4x6 SS w/flange (mounting screws)	000-0237-06	Consult
2	181065	Bracket head	089-6468-00	Consult
3	181066	Cover head	089-6474-02	Consult
4	163393	Spring coil compression	089-5541-05	Consult
5	163394	Plate A spring support	089-5521-01	Consult
6	163396	C-ring	089-5836-03	Consult
7	163398	Stay head	089-5519-02	Consult
8	168929	Guide label, bent SST with holes	089-6460-01	Consult
9	184978	Bracket printer	089-6465-09	Consult
10	Consult	Shaft head	089-6467-06	Consult
11	163392	Spring coil compression	089-5542-09	Consult
12	175433	Spring head	089-6473-09	Consult
13	151526	Plate assembly peel shaft	089-6463-01	Consult
14	130236	Roller printer	089-6461-04	Consult
15	177218	Table label	089-6458-02	Consult
16	131419	Bushing print roller	089-5597-12	Consult
17	46984	E-ring, 4 mm	000-0288-06	Consult
18	188847	Collar	089-6464-05	Consult
19	Consult	L plate B guide label	089-6459-06	Consult
20	163382	Label guide plastic black or orange clip	089-6476-00	Consult
21	167493	Lever handle	089-6471-01	Consult
22	Consult	Plate B lever	089-6470-08	Consult
23	172962	Bush lever	089-6475-06	Consult
24	46977	E-ring, 6 mm M6	000-0290-04	Consult
25	190584	Block B lever	089-6472-05	Consult
26	Consult	Shaft lever	089-6469-03	Consult
27	167494	Cover roll	089-5551-02	Consult
28	162102	Stopper holder label	089-5554-03	Consult
29	168500	Shaft step bobbin	089-6455-01	Consult
30	162103	Spring coil compression	089-5560-06	Consult
31	162104	Bobbin roll	089-5550-09	Consult
32	167495	Housing torque limiter	089-6457-09	Consult
33	159513	Torque limiter	089-6456-05	Consult
34	160705	Bush	089-5129-03	Consult
35	46986	E-ring, 3 mm 3M	000-0287-02	Consult
36	Consult	Cover timing belt	089-6481-09	Consult
37	181100	Roller support cassette	089-5537-00	Consult
38	Consult	Pin support belt	089-6479-01	Consult
39	Consult	Bracket limit	089-6484-00	Consult
40	130237	Sensor, label gap, includes harness C3	089-6665-07	Consult
40a	174802	Spacer block, label guide, left, white	400-000-0540-00	Consult
41	179448	Gear roller	089-6462-08	Consult
42	177551	Holder label	089-6666-01	Consult
43	66376	Lever guide label	089-2858-04	Consult
44	66378	Holder guide label	089-2830-01	Consult
45	160706	Timing belt	089-6477-03	Consult
46	Consult	Bracket motor	089-5529-00	Consult
47	179449	Gear motor	089-6478-07	Consult
48	119168	Stepping motor	089-5513-01	Consult
49	84062	Set screw M4x6 cup point	000-0470-08	Consult
50	80953	Photo reflector, peel sensor	089-3444-00	Consult
51	80952	Bracket sensor	089-3910-18	Consult
52	Consult	Block B lock	089-6483-06	Consult
53	Consult	Collar	089-6485-03	Consult
54	Consult	Bracket magnet	089-6488-04	Consult
55	Consult	Cover printer frame	089-6487-01	Consult
56	163383	Frame printer	089-6480-05	Consult
57	Consult	Cable clamps	089-5731-06	Consult
58	167053	Harness C2, thermal head	089-5632-10	Consult



Printing Scales