

# DIGI DSX-1000

PRECISION CHECKWEIGHER



**RICE LAKE**<sup>®</sup>  
WEIGHING SYSTEMS

800-472-6703  
[www.ricelake.com](http://www.ricelake.com)

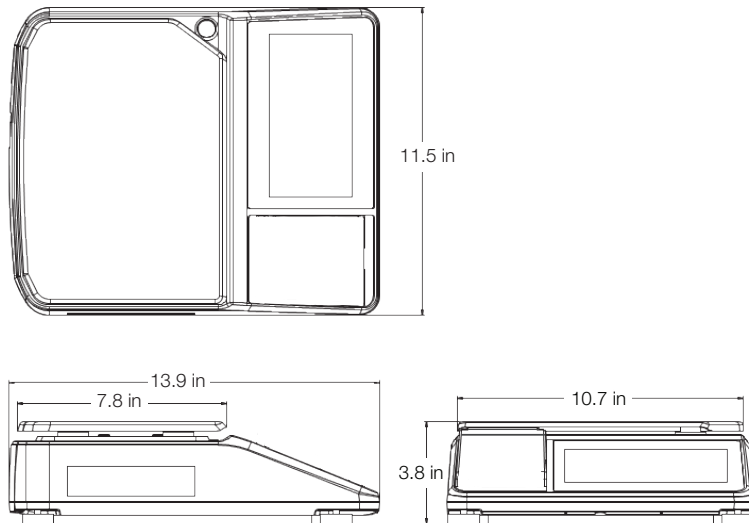
# DIGI DSX-1000

PRECISION CHECKWEIGHER



## Easy-to-Use Precision Checkweighing

The DIGI DSX-1000 precision checkweigher is a digital scale system that features integrated indicator lights and an audible alarm to alert operators of over or under weights. The DIGI DSX-1000 automatically checks the loaded weight on its 10.7 x 7.8 in (270.9 x 198.4 mm) weighing platter against a preset upper and lower limit. The scale's built-in, full-color touchscreen display features six digits and an easy-to-use interface within a splash-proof housing. The DIGI DSX-1000 also includes a standard RS-232 interface.



## Standard Features

- Checkweigher indicator lights and audible alarm
- 10.7 x 7.8 in (270.9 x 198.4 mm) weighing platter
- Splash-proof housing
- RS-232 communications for peripheral equipment interface

## Specifications

<b>Dimensions:</b>	10.7 x 7.8 in (270.9 x 198.4 mm) weighing platter
<b>Display:</b>	7 in (177.8 mm) full-color touchscreen with 6 digits
<b>Status Annunciators:</b>	Audible alarm and indicator lights for LOW, OK and HIGH
<b>Power:</b>	100V~240V
<b>Power Consumption:</b>	22W
<b>Communications:</b>	RS-232
<b>Operating Temperature:</b>	14°F to 104°F (-10°C to 40°C)
<b>Operating Humidity:</b>	15%~85% relative humidity
<b>Internal Resolution:</b>	300,000 counts
<b>Warranty:</b>	Two-year limited warranty

## Approvals:



Your Rice Lake Weighing Systems distributor is:

**RICE LAKE**  
WEIGHING SYSTEMS

230 W. Coleman St. • Rice Lake, WI 54868 • USA  
TEL: 715-234-9171 • FAX: 715-234-6967 • [www.ricelake.com](http://www.ricelake.com)

An ISO 9001 registered company © 2017 Rice Lake Weighing Systems PN 184452 8/17  
Specifications subject to change without notice.