

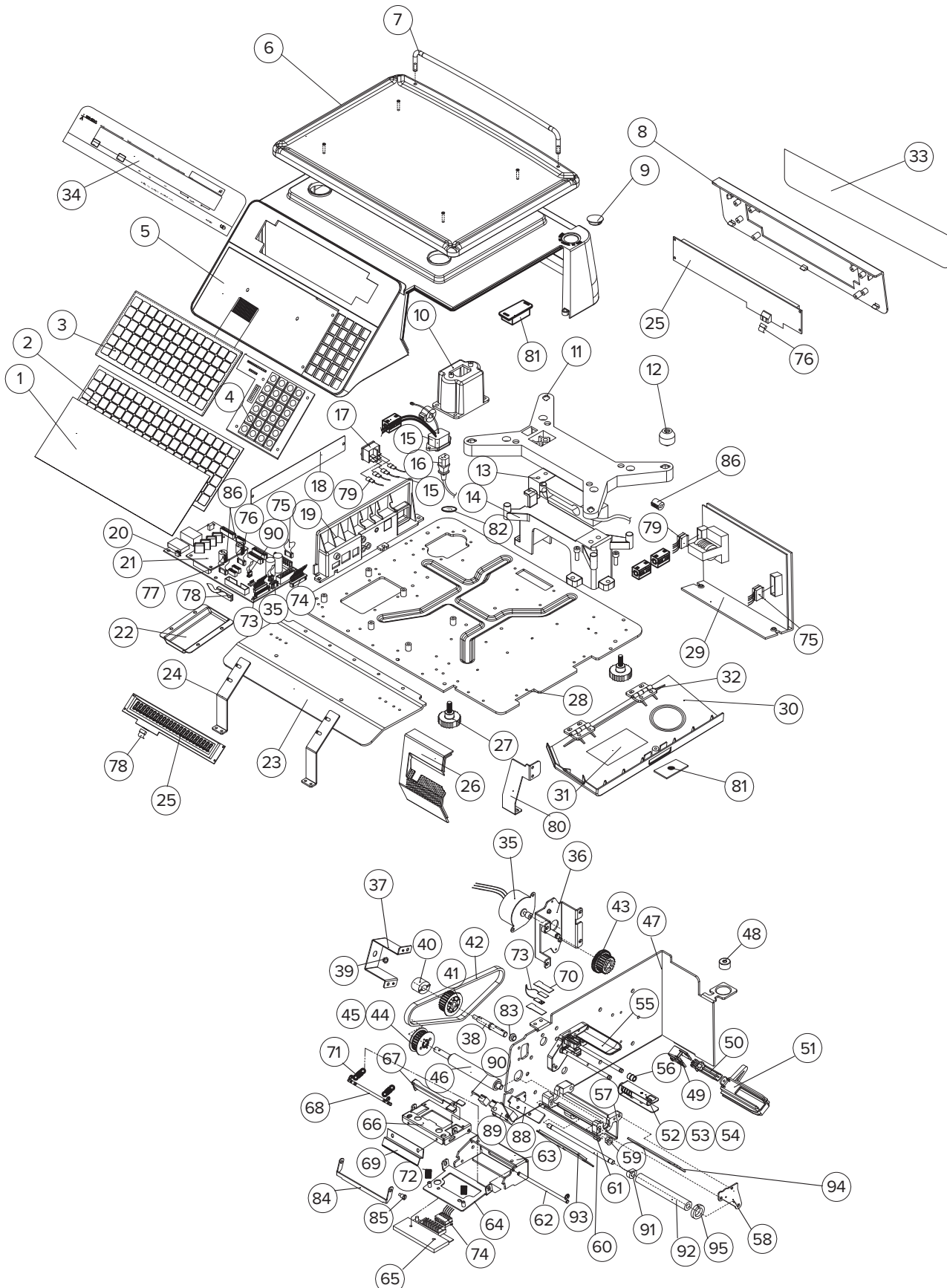
# Uni-3L1

Bench



## Part Number/Price

Ref #	Part #	Description	Synonym	Price
1	169722	Sheet, keyboard, transparent	000-901-2366-10	Consult
2	169723	Edit-keysheet	000-901-3806-06	Consult
3	169724	Membrane keypad	000-901-2364-03	Consult
—	170916	Keysheet, operation insert	300-000-0372-00	Consult
4	169725	PWB, PS-068, tactile keys	000-901-2456-02	Consult
5	181179	Case	000-901-3796-02	Consult
6	169727	Platter	000-900-9218-10	Consult
7	169728	Guard, platter backstop	000-900-9217-07	Consult
—	42848	Screw, Phillips, M4-0.7x8, Pan Head, Lock and Flat Washer, SST - QTY 2 required		Consult
8	181183	Cover, customer	000-901-3808-03	Consult
9	102812	Lens	000-900-1056-14	Consult
10	Consult	Support, power outlet	000-901-3795-09	Consult
11	Consult	Platter, support	000-900-0014-23	Consult
12	44406	Rubber, platter support, 30 lb	000-900-0016-49	Consult
	190731	Rubber, platter support, 60 lb	000-900-8088-19	Consult
13	80963	Load cell, 30 lb, C2G1-25K-S18	000-900-2490-11	Consult
	190314	Load cell, 60 lb, C2G1-50K-S18	000-900-6735-09	Consult
14	Consult	Base	000-900-9201-17	Consult
15	80969	Harness, C4, power, includes receptacle	000-900-2842-37	Consult
16	80991	Power cord	000-900-3335-11	Consult
17	66398	Switch	000-900-0305-09	Consult
19	203014	Cover, connector	000-901-3797-06	Consult
20	169730	PWB, PS-990G-2, CPU board, 2M	000-901-2410-11	Consult
21	169729	PWB, PS-067, A/D board	000-901-2446-14	Consult
22	169731	Cover, base	000-901-1298-07	Consult
23	Consult	Base	000-901-2301-18	Consult
24	Consult	Bracket, display	000-901-1291-01	Consult
25	169783	Display, LCD	000-901-3971-08	Consult
26	169733	Cover, printer, front	000-901-3798-00	Consult
27	79432	Foot, level	000-900-0025-15	Consult
28	Consult	Base, plate	000-901-2300-05	Consult
29	107707	Power supply, LFS100-24	000-089-5503-03	Consult
30	169734	Cover, printer, side	000-901-3799-03	Consult
31	169735	Decal, label loading, printer	000-901-3973-14	Consult
32	66383	Hinge	000-900-4296-03	Consult
33	179440	Sheet, display, customer, 30 lb	000-901-3791-04	Consult
	190735	Sheet, display, customer, 60 lb	000-901-4432-01	Consult
34	174508	Sheet, display, operator, 30 lb	000-901-3789-06	Consult
	190737	Sheet, display, operator, 60 lb	000-901-4430-03	Consult
35	179441	Motor, stepping, 49P048LO-00702	000-901-3866-19	Consult
36	Consult	Bracket, motor	000-901-1295-24	Consult
37	Consult	Bracket	000-901-1296-37	Consult
38	193844	Axis, rewind	000-901-2397-33	Consult
39	Consult	Bush	000-901-4481-03	Consult
40	Consult	Bush, OLTC6-1500C	000-901-4494-01	Consult
41	179442	Gear, rewind	000-901-2360-36	Consult
42	179443	Timing belt, 3M-HTD-330	000-901-2435-04	Consult
43	179444	Gear, dual	000-901-2357-07	Consult
44	179445	Gear, drive	000-901-2358-01	Consult
—	66375	Set screw, 1.5 mm, M3-0.5 x 6 mm	000-002-1942-07	Consult
45	179446	Cover, gear, drive	000-901-2359-04	Consult
—	Consult	M3x7 self tapping button head screws (2)		Consult
46	169737	Roller, rubber, print roller	000-901-0040-00	Consult
47	192243	Frame, printer	000-901-1293-36	Consult



Printing Scales

# Uni-3L1

Bench



## Part Number/Price

Ref #	Part #	Description	Synonym	Price
48	44425	Level unit	000-900-5727-05	Consult
49	66378	Holder, guide, label	000-089-2830-01	Consult
50	66376	Lever, guide, label	000-089-2858-04	Consult
51	Consult	Holder, label	000-089-6667-04	Consult
52	185465	Bracket	000-901-4499-19	Consult
53	185467	Spring, bobbin	000-900-6740-08	Consult
54	185468	Shaft, bobbin	000-900-8333-20	Consult
55	198378	Support, NL	000-900-9359-11	Consult
56	191914	Axle bush	000-900-9361-10	Consult
57	192244	Support, roll, NL	000-900-9358-36	Consult
58	192245	Cover, NL	000-900-9360-25	Consult
59	66370	Bush, left	000-900-0894-06	Consult
60	193226	Axis	000-900-9363-17	Consult
61	193225	Peel shaft	000-901-3774-01	Consult
	170541	Linerless peel shaft kit	300-000-0319-00	Consult
62	45221	Shaft	000-900-0844-19	Consult
63	192246	Frame, head	000-900-9205-39	Consult
64	191529	Bracket, head	000-900-9206-16	Consult
65	119169	Thermal head, CHX56-8359, 1100 ohm	000-901-5061-06	Consult
66	192247	Bracket, lock	000-900-9207-37	Consult
67	177790	Bracket, push	000-900-9208-03	Consult
68	188149	Axis, hold	000-900-9223-00	Consult
69	188153	Tear bar	000-900-6722-01	Consult
70	195440	Bracket, sensor	000-900-9364-01	Consult
71	45203	Spring coil	000-900-0848-04	Consult
72	45206	Tension spring	000-900-0849-08	Consult
73	104832	Label gap sensor assembly	000-900-5225-02	Consult
74	104267	Harness, S2, thermal head	000-900-2840-21	Consult
75	47073	Harness, S2, power, out to CPU	000-900-0286-11	Consult
76	170778	Harness, C3, display, customer	000-901-2444-08	Consult
77	170779	Harness, S2, display, operator	000-901-2399-03	Consult
78	170780	Harness, S2, keyboard	000-901-2312-19	Consult
79	66396	Harness, C3, power, in from switch	000-900-2841-06	Consult
80	Consult	Bracket, printer	000-901-1292-05	Consult
81	198435	Bracket, magnet	000-901-5062-00	Consult
82	Consult	Label, GND cord	000-900-1338-05	Consult
83	193845	Bush, CSB-EPBF-0608-04	000-901-3953-01	Consult
84	199263	Bracket, cutter	000-901-3781-07	Consult
85	199264	Screw, cutter	000-901-3960-25	Consult
86	Consult	Ferrite, core	000-900-0730-09	Consult
88	193312	Bracket, peel sensor	000-901-5065-01	Consult
89	179447	Peel sensor, reflective	000-078-0604-01	Consult
90	195421	Harness, peel sensor, 160 mm	000-901-5063-03	Consult
91	205909	Bush	000-901-4488-09	Consult
92	Consult	Shaft, POM	000-901-4487-05	Consult
93	193224	Bracket, peel off	000-901-4484-13	Consult
94	Consult	Bracket, fixed	000-901-4485-17	Consult
95	Consult	Label guide	000-901-4486-01	Consult
96	Consult	Magnet	000-901-3743-05	Consult
97	Consult	Bracket, base cover	000-901-1297-01	Consult
<b>Wi-Port and Wireless Options</b>				
999	119159	Antenna	000-089-5639-06	Consult
999	119158	PWB PK-265A RF wireless card, Wi-Port	000-089-8141-09	Consult
999	191245	Cover, Side, RF option, SST	300-000-0585-00	Consult

