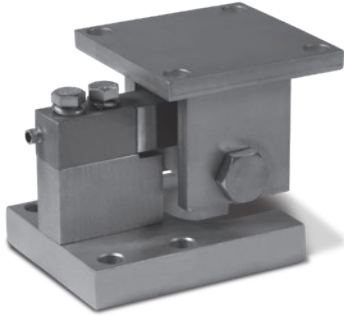


RL1800 Series Mounting Assembly

Stainless Steel



Part Number/Price

Ref#	Part#	Description	Price
	25712	Installation manual	Consult
Rated Capacity: 1,000 lb - 4,000 lb			
1	22732	Base plate	Consult
2	22733	Load cell mounting block	Consult
3	15168	Lock washer	Consult
4	14766	Load cell bolt	Consult
5	22734	Upper support	Consult
6	14665	Jam nut	Consult
7	15175	Flat washer	Consult
8	22735	Shoulder bolt	Consult
9	22736	Concave washer	Consult
10	22737	Convex washer	Consult
11	14760	Hex-head loading bolt	Consult
12	22738	Upper support loading block	Consult
13	30649	Load cell, RL35023S - 1,000 lb	Consult
	31283	Load cell, RL35082 - 1,000 lb (1855 HE)	Consult
	34702	Load cell, RL35082 - 1,000 lb (1855 HE-HS)	Consult
	30650	Load cell, RL35023S - 2,000 lb	Consult
	30651	Load cell, RL35023S - 2,500 lb	Consult
	31282	Load cell, RL35082 - 2,500 lb (1855 HE)	Consult
	34703	Load cell, RL35082 - 2,500 lb (1855 HE-HS)	Consult
	30652	Load cell, RL35023S - 4,000 lb	Consult
	31281	Load cell, RL35082 - 4,000 lb (1855 HE)	Consult
	34704	Load cell, RL35082 - 4,000 lb (1855 HE-HS)	Consult
Rated Capacity: 5,000 lb LE and 10,000 lb			
1	22739	Base plate	Consult
2	22740	Load cell mounting block	Consult
3	15182	Lock washer	Consult
4	14789	Load cell bolt	Consult
5	22741	Upper support	Consult
6	14688	Jam nut	Consult
7	15180	Flat washer	Consult
8	22735	Shoulder bolt	Consult
9	22742	Concave washer	Consult
10	22743	Convex washer set	Consult
11	14787	Hex-head loading bolt	Consult
12	22744	Upper support loading block	Consult
13	30653	Load cell, RL35023S - 5,000 lb LE	Consult
	31280	Load cell, RL35082 - 5,000 lb (1855 HE)	Consult
	34705	Load cell, RL35082 - 5,000 lb (1855 HE-HS)	Consult
	30654	Load cell, RL35023S - 10,000 lb	Consult
	31279	Load cell, RL35082 - 10,000 lb (1855 HE)	Consult
	34706	Load cell, RL35082 - 10,000 lb (1855 HE-HS)	Consult

Note: 1855HE series weigh modules manufactured before 7/95 may use RL35083 load cells. Verify correct model number on load cell. LE refers to large envelope.

(See Diagram RL1800-B)

