

Bench Scales

TABLE OF CONTENTS

BenchMark® SL 162 <i>Light-capacity Bench Scale</i>	Ishida iPC Series 193 <i>Portable Bench Scale</i>
BenchMark® CW-80B 163 <i>Light-capacity Bench Scale</i>	Versa-portion® 194 <i>Compact Scale</i>
BenchMark® SL/HE 164 <i>Spring Loaded/Hostile Environment Bench Scale</i>	BenchPro™ BP-P 195 <i>Postal Bench Scale</i>
CW-90B 165 <i>Light-capacity Bench Scale</i>	BenchPro™ BP-S 196 <i>Shipping Bench Scale</i>
CW-90XB 166 <i>Light-capacity Bench Scale</i>	BenchPro™ BP-SB 197 <i>Shipping Bench Scale with Ball Top Shroud</i>
Ready-n-Weigh Bench Scale System 167 <i>CW-90B Bench Scale and 380 Indicator Package</i>	BenchPro™ BP-SR 198 <i>Shipping Bench Scale with Roller Conveyor</i>
Ready-n-Weigh Bench Scale System 168 <i>CW-90B Bench Scale and 480/480 Plus Indicator Package</i>	BenchMark® MSC-10 199 <i>Mobile Scale Cart</i>
Ready-n-Weigh Bench Scale System 170 <i>CW-90B Bench Scale and 482/482 Plus Indicator Package</i>	BenchMark® MSC-20 200 <i>Mobile Scale Cart</i>
Ready-n-Weigh Bench Scale System 172 <i>CW-90B Bench Scale and 680 Indicator Package</i>	BenchMark® MSC-30 201 <i>Mobile Scale Cart</i>
Ready-n-Weigh Bench Scale System 173 <i>CW-90XB Bench Scale and 380 Indicator Package</i>	BenchMark® MSC-40 202 <i>Mobile Scale Cart</i>
Ready-n-Weigh Bench Scale System 174 <i>CW-90XB Bench Scale and 480/480 Plus Indicator Package</i>	Bench Scale Ball Transfer and Roller Conveyor 203
Ready-n-Weigh Bench Scale System 176 <i>CW-90XB Bench Scale and 482/482 Plus Indicator Package</i>	Bench Scale Columns 204
Ready-n-Weigh Bench Scale System 178 <i>CW-90XB Bench Scale and 680 Indicator Package</i>	
BenchMark® MS 179 <i>Mild Steel Bench Scale</i>	
BenchMark® SS 180 <i>Stainless Steel Bench Scale</i>	
BenchMark® HE 181 <i>Hostile Environment Series Bench Scale</i>	
BenchMark® HE-X 182 <i>Hostile Environment Extreme Bench Scale</i>	
BenchMark® LP 184 <i>Low-Profile Bench Scale</i>	
BenchMark® HD 185 <i>Heavy-Duty Bench Scale</i>	
BenchMark® HD-1 Aviation 186 <i>Heavy Duty Bench Scale</i>	
BenchMark® HD-2 Aviation 188 <i>Heavy Duty Bench Scale</i>	
BenchMark® HD-3 Aviation 190 <i>Heavy Duty Bench Scale</i>	
BenchMark® HDP 192 <i>Portable Heavy-Duty Bench Scale</i>	

Product names, logos, brands and other trademarks featured or referred to within this publication are the property of their respective trademark holders.

BenchMark® SL

Light-capacity Bench Scale

BENCH SCALES



Standard Features

- NTEP Certified IP66 aluminum load cell
- 304 stainless steel construction
- LifeGuard™ base design isolates load cell from overloads and shock loads for added durability
- Specially designed adjustable support feet provide exceptional traction and won't scratch surfaces

Specifications

Load Cell, NTEP Certified:
IP66 aluminum and environmentally sealed

Output Impedance:
350 ohm

Maximum Overload:
200%

Overload Protection:
Shock-absorbing spider

Scale Frame:
AISI304L, straight line finish, Ra= 45 +/- 10

Scale Cover:
AISI304L, straight line finish, Ra= 45 +/- 10

Cable Length:
10 ft (3 m)

Compensated Temperature Range:
14 °F to 104 °F (-10 °C to 40 °C)

Warranty:
Two-year limited

Approvals:
NTEP 95-072, Class III 5,000 d
Measurement Canada AM-5082
Load cell is cFMus approved

Approvals



Measurement
Canada
Approved



Part Number/Price

Part #	Platform Capacity	Dimensions (L × W × H)	Est. Weight	Price
18575*	2 lb (1 kg)	10 × 10 × 3.15 in	13 lb	\$710.00
18576	5 lb (2.5 kg)	10 × 10 × 3.15 in	13 lb	\$710.00
18577	10 lb (5 kg)	10 × 10 × 3.15 in	13 lb	\$710.00
18578	20 lb (10 kg)	10 × 10 × 3.15 in	13 lb	\$710.00
18579	30 lb (15 kg)	10 × 10 × 3.15 in	13 lb	\$710.00
32914	30 lb (15 kg)	12 × 12 × 3.25 in	14 lb	\$800.00
32913	50 lb (25 kg)	12 × 12 × 3.25 in	14 lb	\$800.00
35198	100 lb (50 kg)	12 × 12 × 3.25 in	14 lb	\$800.00

Options/Accessories

Part #	Description	Catalog Page #
Consult	Scale columns	See page 204
Consult	Ball transfer and roller conveyor scale tops	See page 203
Consult	Mobile scale carts	See page 199 to page 202

*Non-NTEP Certified or Measurement Canada approved

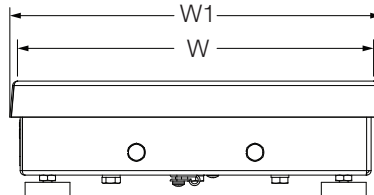
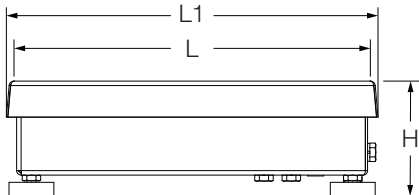
Dimensions

BenchMark SL			
10 × 10 in			
H	3.15 in	W	10.00 in
L	10.00 in	W1	10.25 in
L1	10.25 in		

Note: 1 in = 25.4 mm

12 × 12 in			
H	3.25 in	W	12.00 in
L	12.00 in	W1	12.25 in
L1	12.25 in		

Note: 1 in = 25.4 mm



BenchMark® CW-80B

Light-capacity Bench Scale



Standard Features

- NTEP Certified, IP67 stainless steel load cell
- 304 stainless steel construction
- LifeGuard™ base design isolates load cell from overloads and shock loads for added durability
- Specially designed adjustable support feet provide exceptional traction and won't scratch surfaces

Specifications

Load Cell, NTEP Certified:
IP67 stainless steel and environmentally sealed

Output Impedance:
350 ohm

Maximum Overload:
200%

Overload Protection:
Shock-absorbing spider

Scale Frame:
AISI304L, straight line finish, Ra= 45 +/- 10

Scale Cover:
AISI304L, straight line finish, Ra= 45 +/- 10

Cable Length:
10 ft (3 m)

Compensated Temperature Range:
14 °F to 104 °F (-10 °C to 40 °C)

Warranty:
Two-year limited

Approvals:
NTEP 96-107, Class III, 3000 d
Measurement Canada AM-5156
Load cell is FM approved

Approvals



Measurement
Canada
Approved



Part Number/Price

Part #	Platform Capacity	Dimensions (L × W × H)	Est. Weight	Price
35075	6 lb (3 kg)	10 × 10 × 3.15 in	13 lb	\$865.00
35076	10 lb (5 kg)	10 × 10 × 3.15 in	13 lb	\$865.00
35077	15 lb (7 kg)	10 × 10 × 3.15 in	13 lb	\$865.00
35078	30 lb (15 kg)	10 × 10 × 3.15 in	13 lb	\$865.00
35079	30 lb (15 kg)	12 × 12 × 3.25 in	14 lb	\$955.00
35080	60 lb (30 kg)	12 × 12 × 3.25 in	14 lb	\$955.00

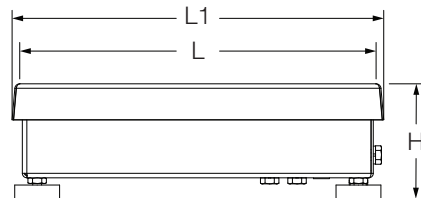
Options/Accessories

Part #	Description	Catalog Page #
Consult	Scale columns	See page 204
Consult	Ball transfer and roller conveyor scale tops	See page 203
Consult	Mobile scale carts	See page 199 to page 202

Dimensions

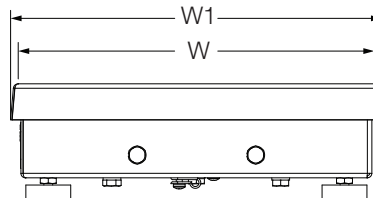
CW-80B			
10 × 10 in			
H	3.15 in	W	10.00 in
L	10.00 in	W1	10.25 in
L1	10.25 in		

Note: 1 in = 25.4 mm



12 × 12 in			
H	3.25 in	W	12.00 in
L	12.00 in	W1	12.25 in
L1	12.25 in		

Note: 1 in = 25.4 mm



BenchMark® SL/HE

Spring Loaded/Hostile Environment Bench Scale

BENCH SCALES



Standard Features

- NTEP Certified, IP69K stainless steel, hermetically sealed load cell
- 304 stainless steel construction
- LifeGuard™ base design isolates load cell from overloads and shock loads for added durability
- Specially designed adjustable support feet provide exceptional traction and won't scratch surfaces

Specifications

Load Cell, NTEP Certified:
IP69K stainless steel, hermetically sealed

Output Impedance:
350 ohm

Maximum Overload:
200%, except 150% for 30 lb

Overload Protection:
Shock-absorbing spider

Scale Frame:
AISI304L, straight line finish, Ra= 45 +/- 10

Scale Cover:
AISI304L, straight line finish, Ra= 45 +/- 10

Cable Length:
10 ft (3 m)

Compensated Temperature Range:
14 °F to 104 °F (-10 °C to 40 °C)

Warranty:
Three-year limited
(includes water ingress)

Approvals:
NTEP 95-072, Class III 5,000 d
Measurement Canada AM-5082
Load cell is FM approved

Approvals



Measurement
Canada
Approved



Part Number/Price

Part #	Platform Capacity	Dimensions (L × W × H)	Est. Weight	Price
86942	5 lb (2.5 kg)	10 × 10 × 3.15 in	13 lb	\$1,288.00
86943	10 lb (5 kg)	10 × 10 × 3.15 in	13 lb	\$1,288.00
86944	20 lb (10 kg)	10 × 10 × 3.15 in	13 lb	\$1,288.00
86945	30 lb (15 kg)	10 × 10 × 3.15 in	13 lb	\$1,288.00
86946	30 lb (15 kg)	12 × 12 × 3.25 in	13 lb	\$1,378.00
86947	50 lb (25 kg)	12 × 12 × 3.25 in	14 lb	\$1,378.00
86948	100 lb (50 kg)	12 × 12 × 3.25 in	14 lb	\$1,378.00

Options/Accessories

Part #	Description	Catalog Page #
Consult	Scale columns	See page 204
Consult	Ball transfer and roller conveyor scale tops	See page 203
Consult	Mobile scale carts	See page 199 to page 202

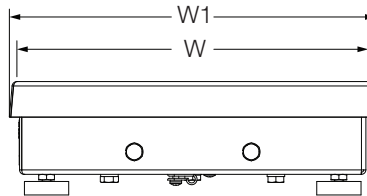
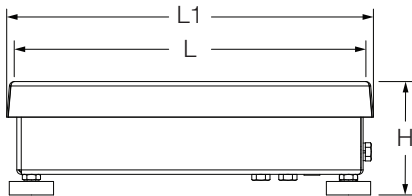
Dimensions

BenchMark SL/HE			
10 × 10 in			
H	3.15 in	W	10.00 in
L	10.00 in	W1	10.25 in
L1	10.25 in		

Note: 1 in = 25.4 mm

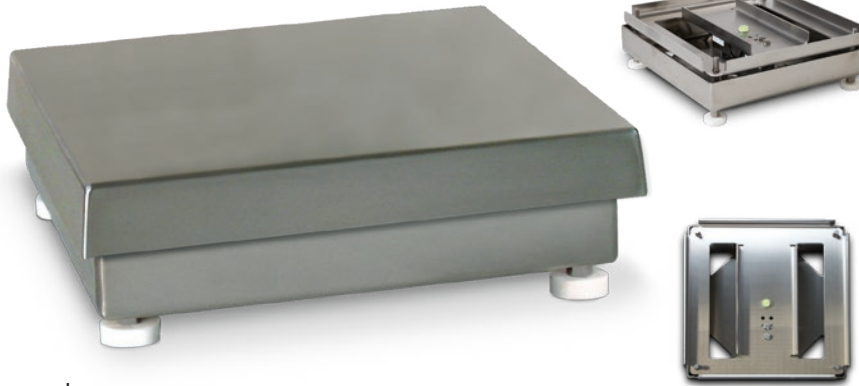
12 × 12 in			
H	3.25 in	W	12.00 in
L	12.00 in	W1	12.25 in
L1	12.25 in		

Note: 1 in = 25.4 mm



CW-90B

Light-capacity Bench Scale



Standard Features

- IP67 aluminum environmentally sealed load cell
- 304 stainless steel construction
- Meets HACCP requirements
- Five-point overload protection
- Specially designed adjustable support feet provide exceptional traction and will not scratch surfaces

Specifications

Load Cell, NTEP Certified:

IP67 aluminum, environmentally sealed

Output Impedance:

350 ohm

Maximum Overload:

180% to 200% depending on capacity

Overload Protection:

Five-point, independently adjusted

Scale Frame:

AISI304L, straight line finish, Ra= 45 +/- 10

Scale Cover:

AISI304L, straight line finish, Ra= 45 +/- 10

Cable Length:

34 in or 10 ft

Compensated Temperature Range:

14 °F to 104 °F (-10 °C to 40 °C)

Warranty:

Two-year limited

Approvals:

NTEP 95-072, Class III 5,000 d
Measurement Canada AM-5082
NSF
Load cell is cMus Approved

Approvals



Measurement
Canada
Approved



Part Number/Price

Part #	Platform Capacity	Dimensions (L × W × H)	Est. Weight	Price	
10 ft cable	34 in cable				
112599	106137	5 lb (2.5 kg)	10 × 10 × 4.25 in	14 lb	\$660.00
112601	106138	10 lb (5 kg)	10 × 10 × 4.25 in	14 lb	\$660.00
112603	106139	25 lb (10 kg)	10 × 10 × 4.25 in	14 lb	\$660.00
112605	106140	25 lb (10 kg)	12 × 12 × 4.25 in	17 lb	\$750.00
112607	106141	50 lb (25 kg)	12 × 12 × 4.25 in	17 lb	\$750.00
112609	106142	100 lb (50 kg)	12 × 12 × 4.25 in	17 lb	\$750.00

Options/Accessories

Part #	Description	Catalog Page #
Consult	Scale columns	See page 204
Consult	Ball transfer and roller conveyor scale tops	See page 203
Consult	Mobile scale carts	See page 199 to page 202

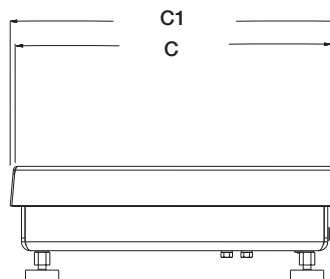
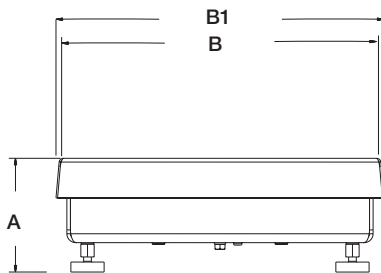
Dimensions

CW-90B			
10 × 10 in			
A	4.25 in	C	10.00 in
B	10.00 in	C1	10.25 in
B1	10.25 in		

Note: 1 in = 25.4 mm

12 × 12 in			
A	4.25 in	C	12.00 in
B	12.00 in	C1	12.25 in
B1	12.25 in		

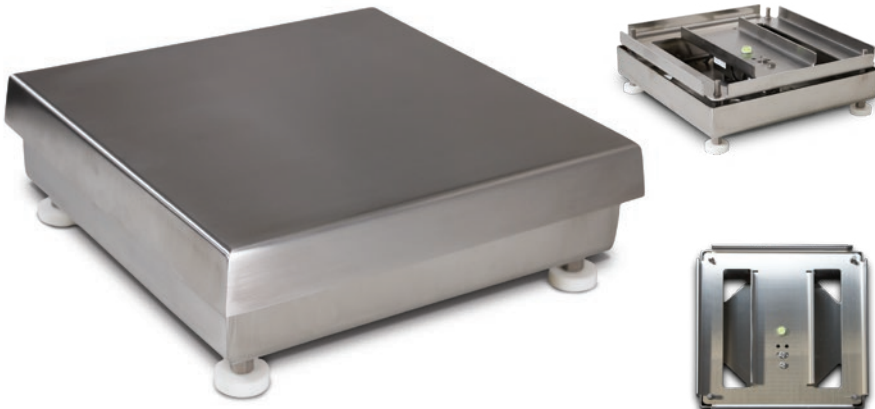
Note: 1 in = 25.4 mm



CW-90XB

Light-capacity Bench Scale

BENCH SCALES



Standard Features

- IP69K, stainless steel hermetically sealed load cell
- 304 stainless steel construction
- Meets HACCP requirements
- Five-point overload protection
- Specially designed adjustable support feet provide exceptional traction and will not scratch surfaces

Specifications

Load Cell, NTEP Certified:
IP69K stainless steel and hermetically sealed

Output Impedance:
350 ohm

Maximum Overload:
180% to 200% depending on capacity

Overload Protection:
Five-point, independently adjusted

Scale Frame:
AISI304L, straight line finish, Ra= 45 +/- 10

Scale Cover:
AISI304L, straight line finish, Ra= 45 +/- 10

Cable Length:
34 in or 10 ft

Compensated Temperature Range:
14 °F to 104 °F (-10 °C to 40 °C)

Warranty:
Three-year limited
(includes water ingress)

Approvals:
NTEP 95-072, Class III 5,000 d
Measurement Canada AM-5082
NSF
Load cell is FM Approved

Approvals



Part Number/Price

Part #	Platform Capacity	Dimensions (L x W x H)	Est. Weight	Price	
10 ft Cable	34 in Cable				
112600	106143	5 lb (2.5 kg)	10 x 10 x 4.25 in	14 lb	\$1,222.00
112602	106144	10 lb (5 kg)	10 x 10 x 4.25 in	14 lb	\$1,222.00
112604	106145	25 lb (10 kg)	10 x 10 x 4.25 in	14 lb	\$1,222.00
112606	106146	25 lb (10 kg)	12 x 12 x 4.25 in	17 lb	\$1,312.00
112608	106147	50 lb (25 kg)	12 x 12 x 4.25 in	17 lb	\$1,312.00
112610	106148	100 lb (50 kg)	12 x 12 x 4.25 in	17 lb	\$1,312.00

Options/Accessories

Part #	Description	Catalog Page #
Consult	Scale columns	See page 204
Consult	Ball transfer and roller conveyor scale tops	See page 203
Consult	Mobile scale carts	See page 199 to page 202

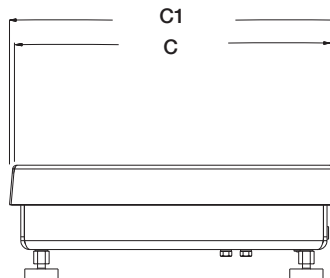
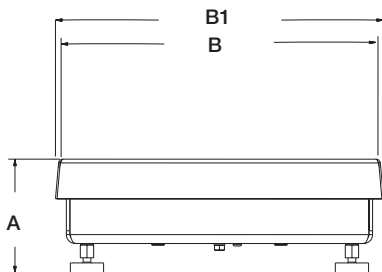
Dimensions

CW-90XB			
10 x 10 in			
A	4.25 in	C	10.00 in
B	10.00 in	C1	10.25 in
B1	10.25 in		

Note: 1 in = 25.4 mm

12 x 12 in			
A	4.25 in	C	12.00 in
B	12.00 in	C1	12.25 in
B1	12.25 in		

Note: 1 in = 25.4 mm



Ready-n-Weigh Bench Scale System

CW-90B Bench Scale and 380 Indicator Package

BENCH SCALES



Approvals



Measurement
Canada
Approved



CW-90B with 380 Package

Part #	Capacity	Dimensions (L x W x H)	Est. Weight	Price
208528	5 lb (2.5 kg)	10 x 10 x 4.25 in	24 lb	\$1,390.00
208529	10 lb (5 kg)	10 x 10 x 4.25 in	24 lb	\$1,390.00
208530	25 lb (10 kg)	10 x 10 x 4.25 in	24 lb	\$1,390.00
208531	25 lb (10 kg)	12 x 12 x 4.25 in	27 lb	\$1,480.00
208532	50 lb (25 kg)	12 x 12 x 4.25 in	27 lb	\$1,480.00
208533	100 lb (50 kg)	12 x 12 x 4.25 in	27 lb	\$1,480.00

Options/Accessories

Part #	Description	Price
206433†	External AC adapter	\$54.00
204258	Real-time clock module	\$127.00



† US plug (NA) - Type A

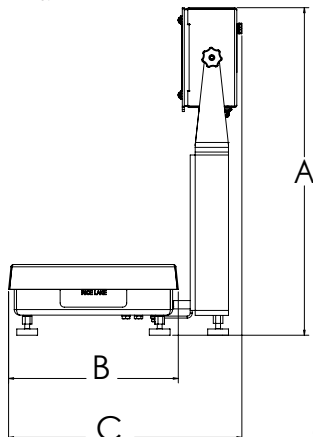
Dimensions

CW-90B Bench Scale and 380 Indicator			
10 x 10 in			
A	19.68 in	E	9.43 in
B	10.20 in	F	4.25 in
C	14.02 in	G	10.20 in
D	13.36 in		

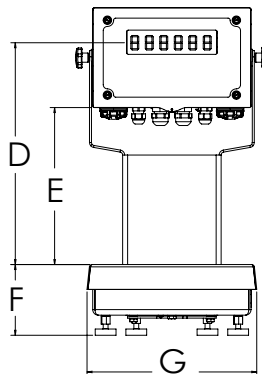
Note: 1 in = 25.4 mm

12 x 12 in			
A	19.56 in	E	9.30 in
B	12.38 in	F	4.25 in
C	16.10 in	G	12.35 in
D	13.23 in		

Note: 1 in = 25.4 mm



CW-90B with 380 indicator



Standard Features

- Package includes scale with IP67 aluminum environmentally sealed load cell with an indicator and 12-inch column
- Factory calibrated with indicator setup and configured for 5,000 divisions
- Scale includes rubber feet to provide exceptional traction and avoid scratching surfaces along with removable top cover for ease of cleaning
- Standard RS-232 serial port for connecting to a variety of peripherals
- Powered by four alkaline C-cell batteries (not included) or external AC adapter (not included)

CW-90B Specifications

Load Cell, NTEP Certified:

IP67 aluminum, environmentally sealed

Scale Construction:

304 stainless steel

Maximum Overload:

180% to 200% depending on capacity

Overload Protection:

Five-point, independently adjusted

Scale Frame:

AISI304L, straight line finish, Ra= 45 +/- 10

Scale Cover:

AISI304L, straight line finish, Ra= 45 +/- 10

Cable Length:

34 in

Compensated Temperature Range:

14 °F to 104 °F (-10 °C to 40 °C)

Approvals:

NTEP 21-051, Class III 5,000 d
Measurement Canada AM-6184

CE

cULus

Warranty:

Two-year limited

380 Specifications

Power:

Batteries: 4 alkaline C-cell
Optional: 115/230 VAC to 12 VDC adapter

Battery Life:

45 hours with 4 x 350 ohm load cells, low backlight

Communication Ports:

One RS-232 (three-wire)
One USB 2.0

Display:

Six 1 in (25 mm) tall, LCD digits

Status Annunciators:

g, lb, t, tn, kg, oz, battery level, PT, LT, gross, zero, unstable, net

Keys/Buttons:

5 tactile buttons

Rating/Material:

Enclosure: IP66, 304 Stainless steel

Approvals:

NTEP 21-051
Measurement Canada AM-6184

CE Approved

cULus Listed

Warranty:

Two-year limited

Ready-n-Weigh Bench Scale System

CW-90B Bench Scale and 480/480 Plus Indicator Package

BENCH SCALES



Scale and Indicator Package



Approvals



Measurement
Canada
Approved



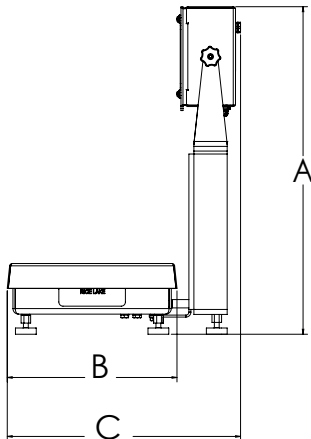
Dimensions

CW-90B Bench Scale and 480/480 Plus Indicator

10 × 10 in

A	19.50 in	E	9.25 in
B	10.25 in	F	4.25 in
C	14.53 in	G	10.25 in
D	13.25 in		

Note: 1 in = 25.4 mm

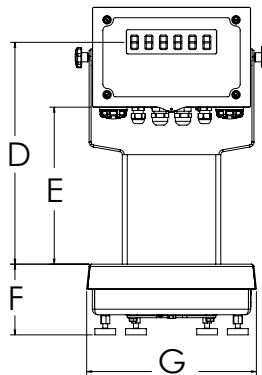


CW-90B with 480 indicator

12 × 12 in

A	19.50 in	E	9.25 in
B	12.25 in	F	4.25 in
C	16.53 in	G	12.25 in
D	13.25 in		

Note: 1 in = 25.4 mm



Standard Features

- Package includes scale with IP67 aluminum environmentally sealed load cell with an indicator and 12-inch column
- Factory calibrated with indicator setup and configured for 5,000 divisions
- Scale includes rubber feet to provide exceptional traction and avoid scratching surfaces along with removable top cover for ease of cleaning
- AC power 100 to 240 VAC
- Numeric keypad (480 Plus)
- Battery backed time and date
- Standard RS-232 serial ports for connecting to a variety of peripherals

CW-90B Specifications

Load Cell, NTEP Certified:

IP67 aluminum, environmentally sealed

Scale Construction:

304 stainless steel

Maximum Overload:

180% to 200% depending on capacity

Overload Protection:

Five-point, independently adjusted

Scale Frame:

AISI304L, straight line finish, Ra= 45 +/- 10

Scale Cover:

AISI304L, straight line finish, Ra= 45 +/- 10

Cable Length:

34 in

Compensated Temperature Range:

14 °F to 104 °F (-10 °C to 40 °C)

Approvals:

NTEP 12-123, Class III 5,000 d
Measurement Canada AM-5892C
CE
cULus

Warranty:

Two-year limited

480/480 Plus Specifications

Communication Ports:

Com 1: RS-232 full duplex
Com 2: RS-232 full duplex or 20 mA simplex, continuous
Both ports 1200, 2400, 4800, 9600, 19200, 38400 baud seven or eight data bits, even, odd or no parity

Display:

LED display 0.8 in (20 mm), six-digit, seven-segment

Status Annunciators:

Gross, net, center of zero, standstill, lb, kg, tare, preset tare

Keys/Buttons:

Flat membrane panel, embossed keys, tactile feel

Rating/Material:

Enclosure: NEMA Type 4X/IP66, heavy-gauge stainless steel

Approvals:

NTEP 12-123
Measurement Canada AM-5892C
CE Marked
UL/cUL Listed

Warranty:

Two-year limited

Ready-n-Weigh Bench Scale System

CW-90B Bench Scale and 480/480 Plus Indicator Package

CW-90B with 480 Package

Part #	Platform Capacity	Dimensions (L × W × H)	Est. Weight	Price
115 VAC, LED, US Plug-Type B				
201157	5 lb (2.5 kg)	10 × 10 × 4.25 in	24 lb	\$1,650.00
201158	10 lb (5 kg)	10 × 10 × 4.25 in	24 lb	\$1,650.00
201159	25 lb (10 kg)	10 × 10 × 4.25 in	24 lb	\$1,650.00
201160	25 lb (10 kg)	12 × 12 × 4.25 in	27 lb	\$1,740.00
201161	50 lb (25 kg)	12 × 12 × 4.25 in	27 lb	\$1,740.00
201162	100 lb (50 kg)	12 × 12 × 4.25 in	27 lb	\$1,740.00
90-264 VAC, LED, Euro Plug-Type E				
201169	5 lb (2.5 kg)	10 × 10 × 4.25 in	24 lb	\$1,650.00
201170	10 lb (5 kg)	10 × 10 × 4.25 in	24 lb	\$1,650.00
201171	25 lb (10 kg)	10 × 10 × 4.25 in	24 lb	\$1,650.00
201172	25 lb (10 kg)	12 × 12 × 4.25 in	27 lb	\$1,740.00
201173	50 lb (25 kg)	12 × 12 × 4.25 in	27 lb	\$1,740.00
201174	100 lb (50 kg)	12 × 12 × 4.25 in	27 lb	\$1,740.00

CW-90B with 480 Plus Package

Part #	Platform Capacity	Dimensions (L × W × H)	Est. Weight	Price
115 VAC, LED, Numeric keypad, US Plug-Type B				
201163	5 lb (2.5 kg)	10 × 10 × 4.25 in	24 lb	\$1,650.00
201164	10 lb (5 kg)	10 × 10 × 4.25 in	24 lb	\$1,650.00
201165	25 lb (10 kg)	10 × 10 × 4.25 in	24 lb	\$1,650.00
201166	25 lb (10 kg)	12 × 12 × 4.25 in	27 lb	\$1,740.00
201167	50 lb (25 kg)	12 × 12 × 4.25 in	27 lb	\$1,740.00
201168	100 lb (50 kg)	12 × 12 × 4.25 in	27 lb	\$1,740.00
90-264 VAC, LED, Numeric keypad, Euro Plug-Type E				
201175	5 lb (2.5 kg)	10 × 10 × 4.25 in	24 lb	\$1,650.00
201176	10 lb (5 kg)	10 × 10 × 4.25 in	24 lb	\$1,650.00
201177	25 lb (10 kg)	10 × 10 × 4.25 in	24 lb	\$1,650.00
201178	25 lb (10 kg)	12 × 12 × 4.25 in	27 lb	\$1,740.00
201179	50 lb (25 kg)	12 × 12 × 4.25 in	27 lb	\$1,740.00
201180	100 lb (50 kg)	12 × 12 × 4.25 in	27 lb	\$1,740.00



† US plug (NA) - Type B



†† Euro Plug - Type E

Ready-n-Weigh Bench Scale System

CW-90B Bench Scale and 482/482 Plus Indicator Package

BENCH SCALES



Standard Features

- Package includes scale with IP67 aluminum environmentally sealed load cell with an indicator and 12-inch column
- Factory calibrated with indicator setup and configured for 5,000 divisions
- Scale includes rubber feet to provide exceptional traction and avoid scratching surfaces along with removable top cover for ease of cleaning
- AC power 100 to 240 VAC
- LCD backlit indicator display for a variety of environments
- Battery backed time and date
- Standard RS-232 serial ports for connecting to a variety of peripherals

CW-90B Specifications

Load Cell, NTEP Certified:

IP67 aluminum, environmentally sealed

Scale Construction:

304 stainless steel

Maximum Overload:

180% to 200% depending on capacity

Overload Protection:

Five-point, independently adjusted

Scale Frame:

AISI304L, straight line finish, Ra= 45 +/- 10

Scale Cover:

AISI304L, straight line finish, Ra= 45 +/- 10

Cable Length:

34 in

Compensated Temperature Range:

14 °F to 104 °F (-10 °C to 40 °C)

Approvals:

NTEP 12-123, Class III 5,000 d
Measurement Canada AM-5892C
CE
cULus

Warranty:

Two-year limited

482/482 Plus Specifications

Communication Ports:

Com 1: RS-232 full duplex
Com 2: RS-232 full duplex or 20 mA simplex, continuous
Both ports 1200, 2400, 4800, 9600, 19200, 38400 baud seven or eight data bits, even, odd or no parity

Display:

LCD backlit display, transmissive/transflective
0.8 in (20 mm), six-digit, seven-segment

Status Annunciators:

Gross, net, center of zero, standstill, lb, kg, tare, preset tare

Keys/Buttons:

Flat membrane panel, embossed keys, tactile feel

Rating/Material:

Enclosure: NEMA Type 4X/IP66, heavy-gauge stainless steel

Approvals:

NTEP 12-123
Measurement Canada AM-5892C
CE Marked
cULus Listed

Warranty:

Two-year limited

Approvals



Measurement Canada Approved



Dimensions

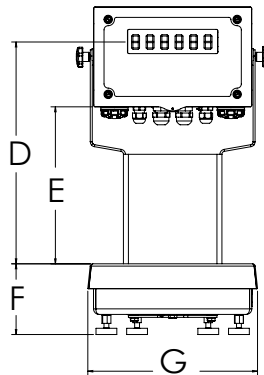
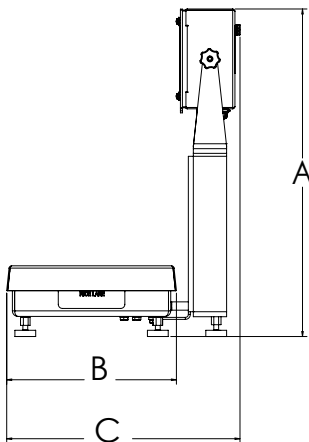
CW-90B Bench Scale and 482/482 Plus Indicator

10 × 10 in			
A	19.50 in	E	9.25 in
B	10.25 in	F	4.25 in
C	14.53 in	G	10.25 in
D	13.25 in		

Note: 1 in = 25.4 mm

12 × 12 in			
A	19.50 in	E	9.25 in
B	12.25 in	F	4.25 in
C	16.53 in	G	12.25 in
D	13.25 in		

Note: 1 in = 25.4 mm



CW-90B with 482 indicator

Ready-n-Weigh Bench Scale System

CW-90B Bench Scale and 482/482 Plus Indicator Package

BENCH SCALES

CW-90B with 482 Package

Part #	Platform Capacity	Dimensions (L x W x H)	Est. Weight	Price
115 VAC, LCD, US Plug-Type B				
201463	5 lb (2.5 kg)	10 x 10 x 4.25 in	24 lb	\$1,780.00
201464	10 lb (5 kg)	10 x 10 x 4.25 in	24 lb	\$1,780.00
201465	25 lb (10 kg)	10 x 10 x 4.25 in	24 lb	\$1,780.00
201466	25 lb (10 kg)	12 x 12 x 4.25 in	27 lb	\$1,870.00
201467	50 lb (25 kg)	12 x 12 x 4.25 in	27 lb	\$1,870.00
201468	100 lb (50 kg)	12 x 12 x 4.25 in	27 lb	\$1,870.00
90-264 VAC, LCD, Euro Plug-Type E				
201480	5 lb (2.5 kg)	10 x 10 x 4.25 in	24 lb	\$1,780.00
201485	10 lb (5 kg)	10 x 10 x 4.25 in	24 lb	\$1,780.00
201486	25 lb (10 kg)	10 x 10 x 4.25 in	24 lb	\$1,780.00
201487	25 lb (10 kg)	12 x 12 x 4.25 in	27 lb	\$1,870.00
201488	50 lb (25 kg)	12 x 12 x 4.25 in	27 lb	\$1,870.00
201489	100 lb (50 kg)	12 x 12 x 4.25 in	27 lb	\$1,870.00

CW-90B with 482 Package

Part #	Platform Capacity	Dimensions (L x W x H)	Est. Weight	Price
115 VAC, LCD, Numeric keypad, US Plug-Type B				
201469	5 lb (2.5 kg)	10 x 10 x 4.25 in	24 lb	\$1,780.00
201475	10 lb (5 kg)	10 x 10 x 4.25 in	24 lb	\$1,780.00
201476	25 lb (10 kg)	10 x 10 x 4.25 in	24 lb	\$1,780.00
201477	25 lb (10 kg)	12 x 12 x 4.25 in	27 lb	\$1,870.00
201478	50 lb (25 kg)	12 x 12 x 4.25 in	27 lb	\$1,870.00
201479	100 lb (50 kg)	12 x 12 x 4.25 in	27 lb	\$1,870.00
90-264 VAC, LCD, Numeric keypad, Euro Plug-Type E				
201490	5 lb (2.5 kg)	10 x 10 x 4.25 in	24 lb	\$1,780.00
201491	10 lb (5 kg)	10 x 10 x 4.25 in	24 lb	\$1,780.00
201492	25 lb (10 kg)	10 x 10 x 4.25 in	24 lb	\$1,780.00
201493	25 lb (10 kg)	12 x 12 x 4.25 in	27 lb	\$1,870.00
201494	50 lb (25 kg)	12 x 12 x 4.25 in	27 lb	\$1,870.00
201495	100 lb (50 kg)	12 x 12 x 4.25 in	27 lb	\$1,870.00



† US plug (NA) - Type B



** Euro Plug - Type E

Ready-n-Weigh Bench Scale System

CW-90B Bench Scale and 680 Indicator Package

BENCH SCALES



Approvals



Measurement
Canada
Approved



CW-90B with 680 Package

Part #	Platform Capacity	Dimensions (L × W × H)	Est. Weight	Price
115-230 VAC, LED, Numeric, US Plug-Type B				
201308	5 lb (2.5 kg)	10 × 10 × 4.25 in	24 lb	\$1,710.00
201309	10 lb (5 kg)	10 × 10 × 4.25 in	24 lb	\$1,710.00
201310	25 lb (10 kg)	10 × 10 × 4.25 in	24 lb	\$1,710.00
201311	25 lb (10 kg)	12 × 12 × 4.25 in	27 lb	\$1,800.00
201312	50 lb (25 kg)	12 × 12 × 4.25 in	27 lb	\$1,800.00
201313	100 lb (50 kg)	12 × 12 × 4.25 in	27 lb	\$1,800.00
115-230 VAC, LED, Numeric, Euro Plug-Type E				
201314	5 lb (2.5 kg)	10 × 10 × 4.25 in	24 lb	\$1,710.00
201315	10 lb (5 kg)	10 × 10 × 4.25 in	24 lb	\$1,710.00
201319	25 lb (10 kg)	10 × 10 × 4.25 in	24 lb	\$1,710.00
201320	25 lb (10 kg)	12 × 12 × 4.25 in	27 lb	\$1,800.00
201321	50 lb (25 kg)	12 × 12 × 4.25 in	27 lb	\$1,800.00
201322	100 lb (50 kg)	12 × 12 × 4.25 in	27 lb	\$1,800.00



* US plug (NA) - Type B

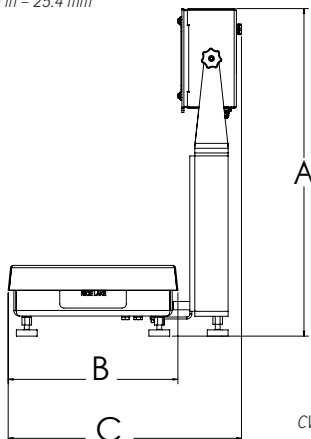


** Euro Plug - Type E

Dimensions

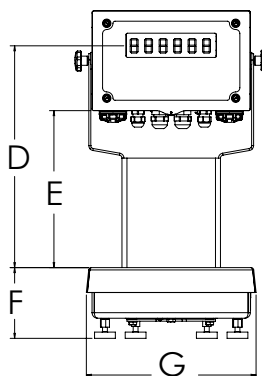
CW-90B Bench Scale and 680 Indicator			
10 × 10 in			
A	19.56 in	E	9.31 in
B	10.25 in	F	4.25 in
C	15.83 in	G	10.25 in
D	13.31 in		

Note: 1 in = 25.4 mm



12 × 12 in			
A	19.56 in	E	9.31 in
B	12.25 in	F	4.25 in
C	16.83 in	G	12.25 in
D	13.31 in		

Note: 1 in = 25.4 mm



CW-90B with 680 indicator

Standard Features

- Package includes scale with IP67 aluminum environmentally sealed load cell with an indicator and 12-inch column
- Factory calibrated with indicator setup and configured for 5,000 divisions
- Scale includes rubber feet to provide exceptional traction and avoid scratching surfaces along with removable top cover for ease of cleaning
- AC power 100 to 240 VAC
- LCD backlit indicator display for a variety of environments
- Battery backed time and date
- Standard RS-232 serial ports for connecting to a variety of peripherals
- Ethernet TCP/IP comes standard

CW-90B Specifications

Load Cell, NTEP Certified:

IP67 aluminum and environmentally sealed

Scale Construction:

304 stainless steel

Maximum Overload:

180% to 200% depending on capacity

Overload Protection:

Five-point, independently adjusted

Scale Frame:

AISI304L, straight line finish, Ra= 45 +/- 10

Scale Cover:

AISI304L, straight line finish, Ra= 45 +/- 10

Cable Length:

34 in

Compensated Temperature Range:

14 °F to 104 °F (-10 °C to 40 °C)

Approvals:

NTEP 95-072, Class III 5,000 d

Measurement Canada AM-5082

CE

cULus

Warranty:

Two-year limited

680 Specifications

Communication Ports:

Two RS-232 (three-wire)

RS-485/422 (two-wire or four-wire)

Micro USB (device)

Ethernet TCP/IP (10/100)

Display:

Seven 0.8-inch tall, seven-segment digits

Status Annunciators:

Eight LED annunciators

Keys/Buttons:

Flat membrane panel, tactile feel

(18 buttons plus ON/OFF)

Rating/Material:

Rating: IP69K (IP66 with RJ45)

Material: AISI 304 Stainless Steel

Approvals:

NTEP 19-021

Measurement Canada AM-6121C

cULus Listed

CE Marked

Warranty:

Two-year limited

Ready-n-Weigh Bench Scale System

CW-90XB Bench Scale and 380 Indicator Package

BENCH SCALES



Approvals



Measurement
Canada
Approved



CW-90XB with 380 Package

Part #	Capacity	Dimensions (L × W × H)	Est. Weight	Price
208543	5 lb (2.5 kg)	10 × 10 × 4.25 in	24 lb	\$1,952.00
208544	10 lb (5 kg)	10 × 10 × 4.25 in	24 lb	\$1,952.00
208545	25 lb (10 kg)	10 × 10 × 4.25 in	24 lb	\$1,952.00
208546	25 lb (10 kg)	12 × 12 × 4.25 in	27 lb	\$2,042.00
208547	50 lb (25 kg)	12 × 12 × 4.25 in	27 lb	\$2,042.00
208548	100 lb (50 kg)	12 × 12 × 4.25 in	27 lb	\$2,042.00

Options/Accessories

Part #	Description	Price
206433†	External AC adapter	\$54.00
204258	Real-time clock module	\$127.00



† US plug (NA) - Type A

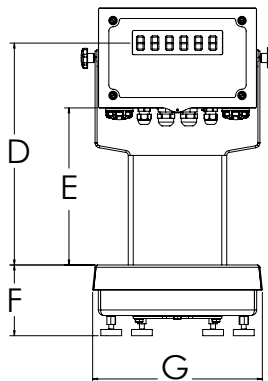
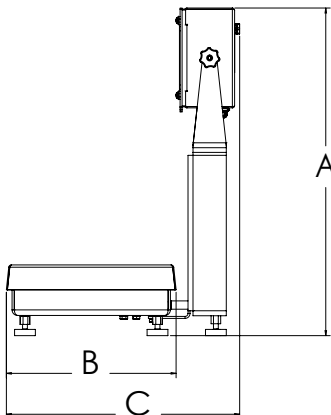
Dimensions

CW-90XB Bench Scale and 380 Indicator			
10 × 10 in			
A	19.69 in	E	9.44 in
B	10.20 in	F	4.25 in
C	14.02 in	G	10.20 in
D	13.36 in		

Note: 1 in = 25.4 mm

12 × 12 in			
A	19.56 in	E	9.31 in
B	12.29 in	F	4.25 in
C	16.07 in	G	12.29 in
D	13.23 in		

Note: 1 in = 25.4 mm



CW-90XB with 380 indicator

Standard Features

- Package includes scale with IP69K stainless steel hermetically sealed load cell with an indicator and 12-inch column
- Factory calibrated with indicator setup and configured for 5,000 divisions
- Scale includes rubber feet to provide exceptional traction and avoid scratching surfaces along with a removable top cover for ease of cleaning
- Powered by four alkaline C-cell batteries (not included) or external AC adapter (not included)
- Standard RS-232 serial port for connecting to a variety of peripherals

CW-90XB Specifications

Load Cell, NTEP Certified:

IP69K stainless steel and hermetically sealed

Scale Construction:

304 stainless steel

Maximum Overload:

180% to 200% depending on capacity

Overload Protection:

Five-point, independently adjusted

Scale Frame:

AISI304L, straight line finish, Ra = 45 +/- 10

Scale Cover:

AISI304L, straight line finish, Ra = 45 +/- 10

Cable Length:

34 in

Compensated Temperature Range:

14 °F to 104 °F (-10 °C to 40 °C)

Approvals:

NTEP 95-072, Class III 5,000 d

Measurement Canada AM-5082

Load cell is FM approved

Warranty:

Three-year limited (includes water ingress)

380 Specifications

Power:

Batteries: Four alkaline C-cell

Optional: 115/230 VAC to 12 VDC adapter

Battery Life:

100 hours on alkaline batteries with one 350 ohm

load cell, no backlight

Communication Ports:

One RS-232 (three-wire)

One USB 2.0

Display:

Six 1-inch tall, LCD digits

Status Annunciators:

g, lb, t, tn, kg, oz, battery level, PT, LT, gross, zero,

unstable, net

Keys/Buttons:

5 tactile buttons

Rating/Material:

Enclosure: IP66, 304 Stainless steel

Approvals:

NTEP 21-051

Measurement Canada AM-6184

CE Marked

cULus Listed

Warranty:

Two-year limited

Ready-n-Weigh Bench Scale System

CW-90XB Bench Scale and 480/480 Plus Indicator Package

BENCH SCALES



Scale and Indicator Package

Standard Features

- Package includes scale with IP69K stainless steel hermetically sealed load cell with an indicator and 12-inch column
- Factory calibrated with indicator setup and configured for 5,000 divisions
- Scale includes rubber feet to provide exceptional traction and avoid scratching surfaces along with removable top cover for ease of cleaning
- AC power 100 to 240 VAC
- Numeric keypad (480 plus)
- Battery backed time and date
- Standard RS-232 serial ports for connecting to peripherals

CW-90XB Specifications

Load Cell, NTEP Certified:

IP69K stainless steel and hermetically sealed

Scale Construction:

304 stainless steel

Maximum Overload:

180% to 200% depending on capacity

Overload Protection:

Five-point, independently adjusted

Scale Frame:

AISI304L, straight line finish, Ra= 45 +/- 10

Scale Cover:

AISI304L, straight line finish, Ra= 45 +/- 10

Cable Length:

34 in

Compensated Temperature Range:

14 °F to 104 °F (-10 °C to 40 °C)

CW-90XB Approvals:

NTEP CC 95-072, Class III 5,000 d

Measurement Canada AM-5082

Load cell is FM approved

Warranty:

Three-year limited (includes water ingress)

480/480 Plus Specifications

Communication Ports:

Com 1: RS-232 full duplex

Com 2: RS-232 full duplex or 20 mA simplex, continuous

Both ports 1200, 2400, 4800, 9600, 19200, 38400 baud seven or eight data bits, even, odd or no parity

Display:

LED display 0.8 in (20 mm), six-digit, seven-segment

Status Annunciators:

Gross, net, center of zero, standstill, lb, kg, tare, preset tare

Keys/Buttons:

Flat membrane panel, embossed keys, tactile feel

Rating/Material:

Enclosure: NEMA Type 4X/IP66, heavy-gauge stainless steel

Approvals:

NTEP 12-123

Measurement Canada AM-5892C

CE Marked

cULus Listed

Warranty:

Two-year limited

Approvals



Measurement
Canada
Approved



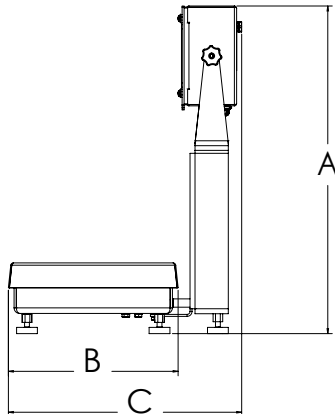
Dimensions

CW-90XB Bench Scale and 480/480 Plus Indicator

10 × 10 in

A	19.50 in	E	9.25 in
B	10.25 in	F	4.25 in
C	14.53 in	G	10.25 in
D	13.25 in		

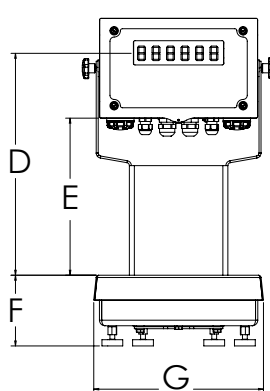
Note: 1 in = 25.4 mm



12 × 12 in

A	19.50 in	E	9.25 in
B	12.25 in	F	4.25 in
C	16.53 in	G	12.25 in
D	13.25 in		

Note: 1 in = 25.4 mm



CW-90XB with 480 indicator

Ready-n-Weigh Bench Scale System

CW-90XB Bench Scale and 480/480 Plus Indicator Package

CW-90XB with 480 Package

Part #	Platform Capacity	Dimensions (L × W × H)	Est. Weight	Price
115 VAC, LED, US Plug-Type B				
201241	5 lb (2.5 kg)	10 × 10 × 4.25 in	24 lb	\$2,212.00
201242	10 lb (5 kg)	10 × 10 × 4.25 in	24 lb	\$2,212.00
201243	25 lb (10 kg)	10 × 10 × 4.25 in	24 lb	\$2,212.00
201244	25 lb (10 kg)	12 × 12 × 4.25 in	27 lb	\$2,302.00
201245	50 lb (25 kg)	12 × 12 × 4.25 in	27 lb	\$2,302.00
201246	100 lb (50 kg)	12 × 12 × 4.25 in	27 lb	\$2,302.00
90-264 VAC, LED, Euro Plug-Type E				
201254	5 lb (2.5 kg)	10 × 10 × 4.25 in	24 lb	\$2,212.00
201255	10 lb (5 kg)	10 × 10 × 4.25 in	24 lb	\$2,212.00
201257	25 lb (10 kg)	10 × 10 × 4.25 in	24 lb	\$2,212.00
201258	25 lb (10 kg)	12 × 12 × 4.25 in	27 lb	\$2,302.00
201259	50 lb (25 kg)	12 × 12 × 4.25 in	27 lb	\$2,302.00
201260	100 lb (50 kg)	12 × 12 × 4.25 in	27 lb	\$2,302.00

CW-90XB with 480 Plus Package

Part #	Platform Capacity	Dimensions (L × W × H)	Est. Weight	Price
115 VAC, LED, Numeric, US Plug-Type B				
201247	5 lb (2.5 kg)	10 × 10 × 4.25 in	24 lb	\$2,212.00
201248	10 lb (5 kg)	10 × 10 × 4.25 in	24 lb	\$2,212.00
201249	25 lb (10 kg)	10 × 10 × 4.25 in	24 lb	\$2,212.00
201250	25 lb (10 kg)	12 × 12 × 4.25 in	27 lb	\$2,302.00
201251	50 lb (25 kg)	12 × 12 × 4.25 in	27 lb	\$2,302.00
201253	100 lb (50 kg)	12 × 12 × 4.25 in	27 lb	\$2,302.00
90-264 VAC, LED, Numeric, Euro Plug-Type E				
201261	5 lb (2.5 kg)	10 × 10 × 4.25 in	24 lb	\$2,212.00
201262	10 lb (5 kg)	10 × 10 × 4.25 in	24 lb	\$2,212.00
201263	25 lb (10 kg)	10 × 10 × 4.25 in	24 lb	\$2,212.00
201264	25 lb (10 kg)	12 × 12 × 4.25 in	27 lb	\$2,302.00
201265	50 lb (25 kg)	12 × 12 × 4.25 in	27 lb	\$2,302.00
201266	100 lb (50 kg)	12 × 12 × 4.25 in	27 lb	\$2,302.00



* US plug (NA) - Type B



** Euro Plug - Type E

Ready-n-Weigh Bench Scale System

CW-90XB Bench Scale and 482/482 Plus Indicator Package

BENCH SCALES



Approvals



Measurement
Canada
Approved



Standard Features

- Package includes scale with IP69K stainless steel hermetically sealed load cell with an indicator and 12-inch
- Factory calibrated with indicator setup and configured for 5,000 divisions
- Scale includes rubber feet to provide exceptional traction and avoid scratching surfaces along with removable top cover for ease of cleaning
- AC power 100 to 240 VAC
- LCD backlit display suitable for a variety of environments
- Battery backed time and date
- Standard RS-232 serial ports for connecting to a variety of peripherals

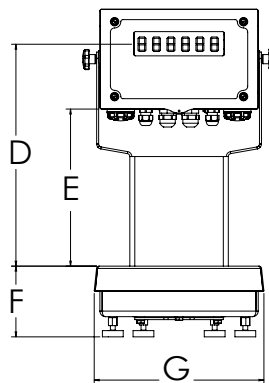
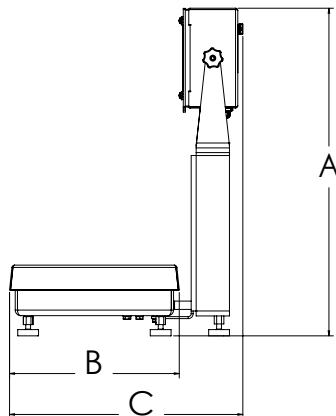
Dimensions

CW-90XB Bench Scale and 482/482 Plus Indicator			
10 × 10 in			
A	19.50 in	E	9.25 in
B	10.25 in	F	4.25 in
C	14.53 in	G	10.25 in
D	13.25 in		

Note: 1 in = 25.4 mm

12 × 12 in			
A	19.50 in	E	9.25 in
B	12.25 in	F	4.25 in
C	16.53 in	G	12.25 in
D	13.25 in		

Note: 1 in = 25.4 mm



CW-90XB with 482 indicator

Specifications

Load Cell, NTEP Certified:
IP69K stainless steel and hermetically sealed

Scale Construction:
304 stainless steel

Maximum Overload:
180% to 200% depending on capacity

Overload Protection:
Five-point, independently adjusted

Scale Frame:
AISI304L, straight line finish, Ra= 45 +/- 10

Scale Cover:
AISI304L, straight line finish, Ra= 45 +/- 10

Cable Length:
34 in

Compensated Temperature Range:
14 °F to 104 °F (-10 °C to 40 °C)

Approvals:
NTEP CC 95-072, Class III 5,000 d
Measurement Canada AM-5082
Load cell is FM approved

Warranty:
Three-year limited (includes water ingress)

482/482 Plus Specifications

Communication Ports:
Com 1: RS-232 full duplex
Com 2: RS-232 full duplex or 20 mA simplex, continuous
Both ports 1200, 2400, 4800, 9600, 19200, 38400 baud seven or eight data bits, even, odd or no parity

Display:
LCD backlit display, transmissive/transflective 0.8 in (20 mm), six-digit, seven-segment

Status Annunciators:
Gross, net, center of zero, standstill, lb, kg, tare, preset tare

Keys/Buttons:
Flat membrane panel, embossed keys, tactile feel

Rating/Material:
Enclosure: NEMA Type 4X/IP66, heavy-gauge stainless steel

Approvals:
NTEP 12-123
Measurement Canada AM-5892C
CE Marked
cULus Listed

Warranty:
Two-year limited

Ready-n-Weigh Bench Scale System

CW-90XB Bench Scale and 482/482 Plus Indicator Package

CW-90XB with 482 Package

Part #	Platform Capacity	Dimensions (L × W × H)	Est. Weight	Price
115 VAC, LCD, US Plug-Type B				
201533	5 lb (2.5 kg)	10 × 10 × 4.25 in	24 lb	\$2,342.00
201534	10 lb (5 kg)	10 × 10 × 4.25 in	24 lb	\$2,342.00
201535	25 lb (10 kg)	10 × 10 × 4.25 in	24 lb	\$2,342.00
201536	25 lb (10 kg)	12 × 12 × 4.25 in	27 lb	\$2,432.00
201537	50 lb (25 kg)	12 × 12 × 4.25 in	27 lb	\$2,432.00
201538	100 lb (50 kg)	12 × 12 × 4.25 in	27 lb	\$2,432.00
90-264 VAC, LCD, Euro Plug-Type E				
201546	5 lb (2.5 kg)	10 × 10 × 4.25 in	24 lb	\$2,342.00
201547	10 lb (5 kg)	10 × 10 × 4.25 in	24 lb	\$2,342.00
201548	25 lb (10 kg)	10 × 10 × 4.25 in	24 lb	\$2,342.00
201549	25 lb (10 kg)	12 × 12 × 4.25 in	27 lb	\$2,432.00
201550	50 lb (25 kg)	12 × 12 × 4.25 in	27 lb	\$2,432.00
201551	100 lb (50 kg)	12 × 12 × 4.25 in	27 lb	\$2,432.00

CW-90XB with 482 Plus Package

Part #	Platform Capacity	Dimensions (L × W × H)	Est. Weight	Price
115 VAC, LCD, Numeric, US Plug-Type B				
201539	5 lb (2.5 kg)	10 × 10 × 4.25 in	24 lb	\$2,342.00
201541	10 lb (5 kg)	10 × 10 × 4.25 in	24 lb	\$2,342.00
201542	25 lb (10 kg)	10 × 10 × 4.25 in	24 lb	\$2,342.00
201543	25 lb (10 kg)	12 × 12 × 4.25 in	27 lb	\$2,432.00
201544	50 lb (25 kg)	12 × 12 × 4.25 in	27 lb	\$2,432.00
201545	100 lb (50 kg)	12 × 12 × 4.25 in	27 lb	\$2,432.00
90-264 VAC, LCD, Numeric, Euro Plug-Type E				
201552	5 lb (2.5 kg)	10 × 10 × 4.25 in	24 lb	\$2,342.00
201553	10 lb (5 kg)	10 × 10 × 4.25 in	24 lb	\$2,342.00
201554	25 lb (10 kg)	10 × 10 × 4.25 in	24 lb	\$2,342.00
201555	25 lb (10 kg)	12 × 12 × 4.25 in	27 lb	\$2,432.00
201556	50 lb (25 kg)	12 × 12 × 4.25 in	27 lb	\$2,432.00
201557	100 lb (50 kg)	12 × 12 × 4.25 in	27 lb	\$2,432.00



* US plug (NA) - Type B



** Euro Plug - Type E

Ready-n-Weigh Bench Scale System

CW-90XB Bench Scale and 680 Indicator Package

BENCH SCALES



Approvals



CW-90XB with 680 Package

Part #	Platform Capacity	Dimensions (L × W × H)	Est. Weight	Price
115-230 VAC, LED, Numeric, US Plug-Type B				
201409	5 lb (2.5 kg)	10 × 10 × 4.25 in	24 lb	\$2,272.00
201410	10 lb (5 kg)	10 × 10 × 4.25 in	24 lb	\$2,272.00
201411	25 lb (10 kg)	10 × 10 × 4.25 in	24 lb	\$2,272.00
201412	25 lb (10 kg)	12 × 12 × 4.25 in	27 lb	\$2,362.00
201413	50 lb (25 kg)	12 × 12 × 4.25 in	27 lb	\$2,362.00
201414	100 lb (50 kg)	12 × 12 × 4.25 in	27 lb	\$2,362.00
115-230 VAC, LED, Numeric, Euro Plug-Type E				
201415	5 lb (2.5 kg)	10 × 10 × 4.25 in	24 lb	\$2,272.00
201416	10 lb (5 kg)	10 × 10 × 4.25 in	24 lb	\$2,272.00
201417	25 lb (10 kg)	10 × 10 × 4.25 in	24 lb	\$2,272.00
201418	25 lb (10 kg)	12 × 12 × 4.25 in	27 lb	\$2,362.00
201419	50 lb (25 kg)	12 × 12 × 4.25 in	27 lb	\$2,362.00
201420	100 lb (50 kg)	12 × 12 × 4.25 in	27 lb	\$2,362.00



† US plug (NA) - Type B

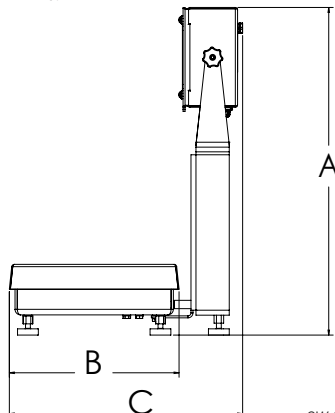


†† Euro Plug - Type E

Dimensions

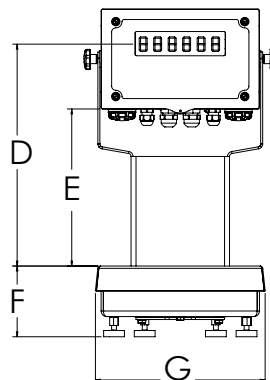
CW-90XB Bench Scale and 680 Indicator			
10 × 10 in			
A	19.56 in	E	9.31 in
B	10.25 in	F	4.25 in
C	15.83 in	G	10.25 in
D	13.31 in		

Note: 1 in = 25.4 mm



12 × 12 in			
A	19.56 in	E	9.31 in
B	12.25 in	F	4.25 in
C	16.83 in	G	12.25 in
D	13.31 in		

Note: 1 in = 25.4 mm



CW-90XB with 680 indicator

Standard Features

- Package includes scale with IP69K stainless steel hermetically sealed load cell with an indicator and 12-inch column
- Factory calibrated with indicator setup and configured for 5,000 divisions
- Scale includes rubber feet to provide exceptional traction and avoid scratching surfaces along with removable top cover for ease of cleaning
- AC power 100 to 240 VAC
- Full numeric keypad
- LED display suitable for a variety of environments
- Battery backed time and date
- Standard RS-232 serial ports for connecting to a variety of peripherals
- Ethernet TCP/IP

CW-90XB Specifications

Load Cell, NTEP Certified:

IP69K stainless steel and hermetically sealed

Scale Construction:

304 stainless steel

Maximum Overload:

180% to 200% depending on capacity

Overload Protection:

Five-point, independently adjusted

Scale Frame:

AISI304L, straight line finish, Ra= 45 +/- 10

Scale Cover:

AISI304L, straight line finish, Ra= 45 +/- 10

Cable Length:

34 in

Compensated Temperature Range:

14 °F to 104 °F (-10 °C to 40 °C)

Approvals:

NTEP CC 95-072, Class III 5,000 d

Measurement Canada AM-5082

Load cell is FM approved

Warranty:

Three-year limited (includes water ingress)

680 Specifications

Communication Ports:

Two RS-232 (three-wire)

RS-485/422 (two-wire or four-wire)

Micro USB (device)

Ethernet TCP/IP (10/100)

Display:

Seven 0.8-inch tall, seven-segment digits

Status Annunciators:

Eight LED annunciators

Keys/Buttons:

Flat membrane panel, tactile feel

(18 buttons plus ON/OFF)

Rating/Material:

Rating: IP69K (IP66 with RJ45)

Material: AISI 304 stainless steel

Approvals:

NTEP 19-021

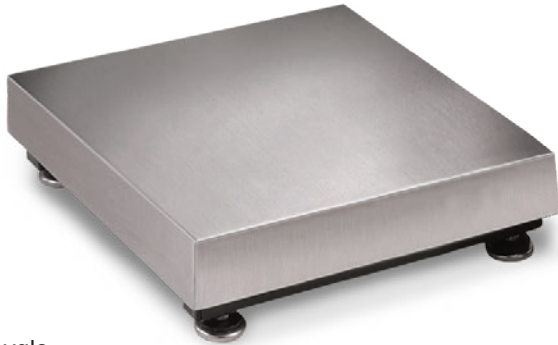
Measurement Canada AM-6121C

cULus Listed

CE Marked

Warranty:

Two-year limited



Standard Features

- Painted mild steel frame with 304 stainless steel cover
- Base design isolates load cell from overloads and shock loads for added durability
- Specially designed adjustable support feet provide exceptional traction and will not scratch surfaces

Specifications

Load Cell, NTEP Certified:

IP66 aluminum, environmentally sealed

Output Impedance:

350 ohm

Maximum Overload:

150% to 200% depending on capacity

Overload Protection:

Five-point, independently adjusted

Scale Frame:

Mild steel powder coated black

Scale Cover:

AISI304L, straight line finish, Ra= 45 +/- 10

Cable Length:

10 ft (3 m)

Compensated Temperature Range:

14 °F to 104 °F (-10 °C to 40 °C)

Warranty:

Two-year limited

Approvals:

NTEP 95-072, Class III, 5,000 d
Measurement Canada AM-5082

Approvals



Measurement
Canada
Approved



† Load cell
approval



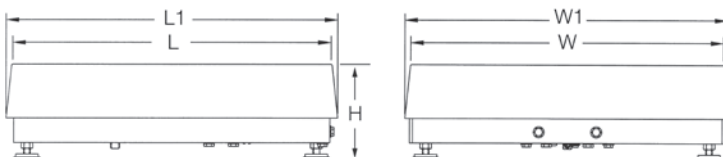
†† Load cell
approval

Part Number/Price

Part #	Capacity	Platform Dimensions (L x W x H)	Est. Weight	Price
18580 †	30 lb (15 kg)	12 x 12 x 4.12 in	20 lb	\$890.00
18582 †	50 lb (25 kg)	12 x 12 x 4.12 in	20 lb	\$890.00
18584 †	100 lb (50 kg)	12 x 12 x 4.12 in	20 lb	\$890.00
18586 ††	50 lb (25 kg)	12 x 18 x 4.12 in	37 lb	\$980.00
18588 ††	100 lb (50 kg)	12 x 18 x 4.12 in	37 lb	\$980.00
18590 †	50 lb (25 kg)	18 x 18 x 5.25 in	68 lb	\$1,210.00
18592 †	100 lb (50 kg)	18 x 18 x 5.25 in	68 lb	\$1,210.00
18594 †	150 lb (75 kg)	18 x 18 x 5.25 in	68 lb	\$1,210.00
18596 †	200 lb (100 kg)	18 x 18 x 5.25 in	68 lb	\$1,210.00
18598 †	250 lb (125 kg)	18 x 18 x 5.25 in	68 lb	\$1,210.00
18600 †	300 lb (150 kg)	18 x 18 x 5.25 in	68 lb	\$1,210.00
18602 †	500 lb (250 kg)	18 x 18 x 5.25 in	68 lb	\$1,210.00
18604 ††	1,000 lb (500 kg)	18 x 18 x 5.25 in	68 lb	\$1,210.00
18606 †	50 lb (25 kg)	24 x 18 x 5.25 in	78 lb	\$1,335.00
18608 †	100 lb (50 kg)	24 x 18 x 5.25 in	78 lb	\$1,335.00
18610 †	150 lb (75 kg)	24 x 18 x 5.25 in	78 lb	\$1,335.00
18612 †	200 lb (100 kg)	24 x 18 x 5.25 in	78 lb	\$1,335.00
18614 †	250 lb (125 kg)	24 x 18 x 5.25 in	78 lb	\$1,335.00
18616 †	300 lb (150 kg)	24 x 18 x 5.25 in	78 lb	\$1,335.00
18618 †	500 lb (250 kg)	24 x 18 x 5.25 in	78 lb	\$1,335.00
18620 ††	1,000 lb (500 kg)	24 x 18 x 5.25 in	78 lb	\$1,335.00
18622 †	100 lb (50 kg)	24 x 24 x 5.25 in	78 lb	\$1,470.00
18624 †	150 lb (75 kg)	24 x 24 x 5.25 in	84 lb	\$1,470.00
18626 †	200 lb (100 kg)	24 x 24 x 5.25 in	84 lb	\$1,470.00
18628 †	250 lb (125 kg)	24 x 24 x 5.25 in	84 lb	\$1,470.00
18630 †	300 lb (150 kg)	24 x 24 x 5.25 in	84 lb	\$1,470.00
18632 †	500 lb (250 kg)	24 x 24 x 5.25 in	84 lb	\$1,470.00
18634 ††	1,000 lb (500 kg)	24 x 24 x 5.25 in	84 lb	\$1,470.00

Options/Accessories

Part #	Description	Catalog Page #
Consult	Scale columns	See page 204
Consult	Ball transfer and roller conveyor scale tops	See page 203
Consult	Mobile scale carts	See page 199 to page 202



Dimensions

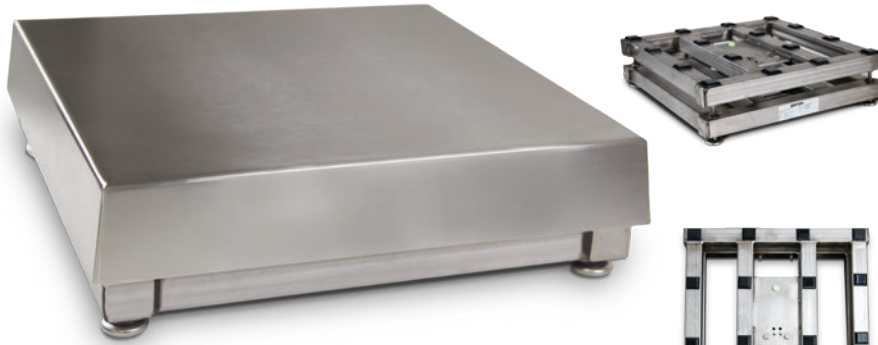
BenchMark MS			
12 x 12 in			
H	4.12 in	W	12.00 in
L	12.00 in	W1	12.50 in
L1	12.50 in		
12 x 18 in			
H	4.12 in	W	18.00 in
L	12.00 in	W1	18.50 in
L1	12.50 in		
18 x 18 in			
H	5.25 in	W	18.00 in
L	18.00 in	W1	18.75 in
L1	18.75 in		
24 x 18 in			
H	5.25 in	W	18.00 in
L	24.00 in	W1	18.75 in
L1	24.75 in		
24 x 24 in			
H	5.25 in	W	24.00 in
L	24.00 in	W1	24.75 in
L1	24.75 in		

Note: 1 in = 25.4 mm

BenchMark® SS

Stainless Steel Bench Scale

BENCH SCALES



Approvals



Measurement
Canada
Approved

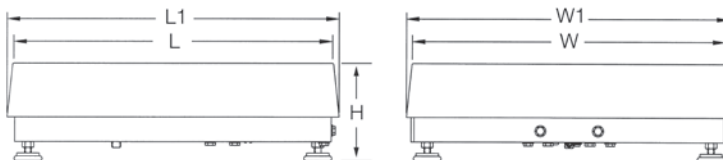


Part Number/Price

Part #	Capacity	Platform Dimensions (L x W x H)	Est. Weight	Price
186222 †	50 lb (25 kg)	12 x 18 x 4.00 in	37 lb	\$1,040.00
186223 †	100 lb (50 kg)	12 x 18 x 4.00 in	37 lb	\$1,040.00
18591 †	50 lb (25 kg)	18 x 18 x 5.25 in	68 lb	\$1,440.00
18593 †	100 lb (50 kg)	18 x 18 x 5.25 in	68 lb	\$1,440.00
18595 †	150 lb (75 kg)	18 x 18 x 5.25 in	68 lb	\$1,440.00
18597 †	200 lb (100 kg)	18 x 18 x 5.25 in	68 lb	\$1,440.00
18599 †	250 lb (125 kg)	18 x 18 x 5.25 in	68 lb	\$1,440.00
18601 †	300 lb (150 kg)	18 x 18 x 5.25 in	68 lb	\$1,440.00
18603 †	500 lb (250 kg)	18 x 18 x 5.25 in	68 lb	\$1,440.00
18605 ††	1,000 lb (500 kg)	18 x 18 x 5.25 in	68 lb	\$1,440.00
18607 †	50 lb (25 kg)	24 x 18 x 5.25 in	78 lb	\$1,715.00
18609 †	100 lb (50 kg)	24 x 18 x 5.25 in	78 lb	\$1,715.00
18611 †	150 lb (75 kg)	24 x 18 x 5.25 in	78 lb	\$1,715.00
18613 †	200 lb (100 kg)	24 x 18 x 5.25 in	78 lb	\$1,715.00
18615 †	250 lb (125 kg)	24 x 18 x 5.25 in	78 lb	\$1,715.00
18617 †	300 lb (150 kg)	24 x 18 x 5.25 in	78 lb	\$1,715.00
18619 †	500 lb (250 kg)	24 x 18 x 5.25 in	78 lb	\$1,715.00
18621 ††	1,000 lb (500 kg)	24 x 18 x 5.25 in	78 lb	\$1,715.00
18623 †	100 lb (50 kg)	24 x 24 x 5.25 in	84 lb	\$2,110.00
18625 †	150 lb (75 kg)	24 x 24 x 5.25 in	84 lb	\$2,110.00
18627 †	200 lb (100 kg)	24 x 24 x 5.25 in	84 lb	\$2,110.00
18629 †	250 lb (125 kg)	24 x 24 x 5.25 in	84 lb	\$2,110.00
18631 †	300 lb (150 kg)	24 x 24 x 5.25 in	84 lb	\$2,110.00
18633 †	500 lb (250 kg)	24 x 24 x 5.25 in	84 lb	\$2,110.00
18635 ††	1,000 lb (500 kg)	24 x 24 x 5.25 in	84 lb	\$2,110.00

Options/Accessories

Part #	Description	Catalog Page #
Consult	Scale columns	See page 204
Consult	Ball transfer and roller conveyor scale tops	See page 203
Consult	Mobile scale carts	See page 199 to page 202



Standard Features

- 304 stainless steel frame and cover
- Base design isolates load cell from overloads and shock loads for added durability
- Specially designed adjustable support feet provide exceptional traction and will not scratch surfaces

Specifications

Load Cell, NTEP Certified:

IP66 aluminum, environmentally sealed

Output Impedance:

350 ohm

Maximum Overload:

150% to 200% depending on capacity

Overload Protection:

Five-point, independently adjusted

Scale Frame:

AISI304L, glass bead blasted for even appearance

Scale Cover:

AISI304L, straight line finish, Ra= 45 +/- 10

Cable Length:

10 ft (3 m)

Compensated Temperature Range:

14 °F to 104 °F (-10 °C to 40 °C)

Warranty:

Two-year limited

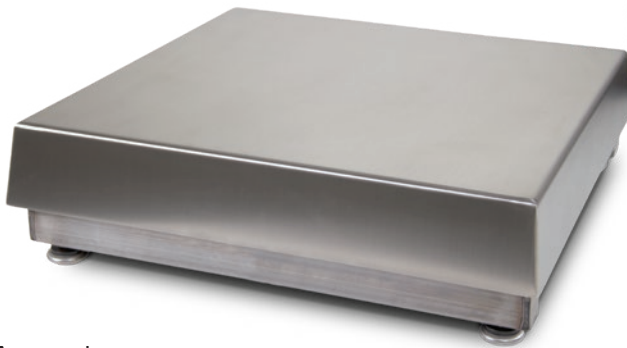
Approvals:

NTEP CC 95-072, Class III, 5,000 d
Measurement Canada AM-5082

Dimensions

BenchMark SS			
12 x 18 in			
H	4.00 in	W	18.00 in
L	12.00 in	W1	18.50 in
L1	12.50 in		
18 x 18 in			
H	5.25 in	W	18.00 in
L	18.00 in	W1	18.75 in
L1	18.75 in		
18 x 24 in			
H	5.25 in	W	18.00 in
L	24.00 in	W1	18.75 in
L1	24.75 in		
24 x 24 in			
H	5.25 in	W	24.00 in
L	24.00 in	W1	24.75 in
L1	24.75 in		

Note: 1 in = 25.4 mm



Standard Features

- 304 stainless steel frame and cover
- Base design isolates load cell from overloads and shock loads for added durability
- Specially designed adjustable support feet provide exceptional traction and will not scratch surfaces

Specifications

Load Cell, NTEP Certified:

IP69K stainless steel, hermetically sealed

Output Impedance:

1,000 ohm

Maximum Overload:

150% to 200% depending on capacity

Overload Protection:

Five-point, independently adjusted

Scale Frame:

AISI304L, glass bead blasted for even appearance

Scale Cover:

AISI304L, straight line finish, Ra = 45 +/- 10

Cable Length:

10 ft (3 m)

Compensated Temperature Range:

14 °F to 104 °F (-10 °C to 40 °C)

Warranty:

Three-year limited
(includes water ingress)

Approvals:

NTEP CC 95-072, Class III, 5,000 d
Measurement Canada AM-5082
Load cell is FM approved

Approvals



Measurement
Canada
Approved

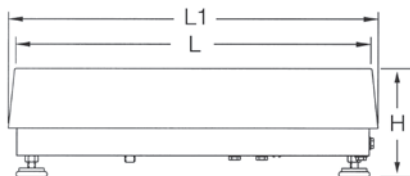


Part Number/Price

Part #	Capacity	Platform Dimensions (L x W x H)	Est. Weight	Price
186897	50 lb (25 kg)	12 x 18 x 4.00 in	37 lb	\$1,480.00
186898	100 lb (50 kg)	12 x 18 x 4.00 in	37 lb	\$1,480.00
86952	50 lb (25 kg)	18 x 18 x 5.25 in	68 lb	\$1,780.00
86953	100 lb (50 kg)	18 x 18 x 5.25 in	68 lb	\$1,780.00
86954	150 lb (75 kg)	18 x 18 x 5.25 in	68 lb	\$1,780.00
86955	200 lb (100 kg)	18 x 18 x 5.25 in	68 lb	\$1,780.00
86956	250 lb (125 kg)	18 x 18 x 5.5 in	68 lb	\$2,130.00
86957	300 lb (150 kg)	18 x 18 x 5.5 in	68 lb	\$2,130.00
86958	500 lb (250 kg)	18 x 18 x 5.5 in	68 lb	\$2,130.00
86959	1,000 lb (500 kg)	18 x 18 x 5.5 in	68 lb	\$2,130.00
86960	50 lb (25 kg)	24 x 18 x 5.5 in	78 lb	\$2,405.00
86961	100 lb (50 kg)	24 x 18 x 5.5 in	78 lb	\$2,405.00
86962	150 lb (75 kg)	24 x 18 x 5.5 in	78 lb	\$2,405.00
86963	200 lb (100 kg)	24 x 18 x 5.5 in	78 lb	\$2,405.00
86964	250 lb (125 kg)	24 x 18 x 5.5 in	78 lb	\$2,405.00
86965	300 lb (150 kg)	24 x 18 x 5.5 in	78 lb	\$2,405.00
86966	500 lb (250 kg)	24 x 18 x 5.5 in	78 lb	\$2,405.00
86967	1,000 lb (500 kg)	24 x 18 x 5.5 in	78 lb	\$2,405.00
86968	100 lb (50 kg)	24 x 24 x 5.5 in	84 lb	\$2,800.00
86969	150 lb (75 kg)	24 x 24 x 5.5 in	84 lb	\$2,800.00
86970	200 lb (100 kg)	24 x 24 x 5.5 in	84 lb	\$2,800.00
86971	250 lb (125 kg)	24 x 24 x 5.5 in	84 lb	\$2,800.00
86972	300 lb (150 kg)	24 x 24 x 5.5 in	84 lb	\$2,800.00
86973	500 lb (250 kg)	24 x 24 x 5.5 in	84 lb	\$2,800.00
86974	1,000 lb (500 kg)	24 x 24 x 5.5 in	84 lb	\$2,800.00

Options/Accessories

Part #	Description	Catalog Page #
Consult	Scale columns	See page 204
Consult	Ball transfer and roller conveyor scale tops	See page 203
Consult	Mobile scale carts	See page 199 to page 202



Dimensions

BenchMark HE			
12 x 18 in			
H	4.00 in	W	18.00 in
L	12.00 in	W1	18.50 in
L1	12.50 in		
18 x 18 x 5.25 in			
H	5.25 in	W	18.00 in
L	18.00 in	W1	18.75 in
L1	18.75 in		
18 x 18 x 5.5 in			
H	5.50 in	W	18.00 in
L	18.00 in	W1	18.75 in
L1	18.75 in		
18 x 24 in			
H	5.50 in	W	18.00 in
L	24.00 in	W1	18.75 in
L1	24.75 in		
24 x 24 in			
H	5.50 in	W	24.00 in
L	24.00 in	W1	24.75 in
L1	24.75 in		

Note: 1 in = 25.4 mm

BenchMark® HE-X

Hostile Environment Extreme Bench Scale

BENCH SCALES



Specifications

Load Cell, NTEP Certified:

IP69K stainless steel, hermetically sealed

Output Impedance:

1,000 ohm

Maximum Overload:

150% to 200% depending on capacity

Overload Protection:

Five-point, independently adjusted

Scale Frame:

AISI304L, glass bead blasted for even appearance

Scale Cover:

AISI304L, straight line finish, Ra= 45 +/- 10

Cable Length:

10 ft (3 m)

Compensated Temperature Range:

14 °F to 104 °F (-10 °C to 40 °C)

Warranty:

Three-year limited (includes water ingress)

Approvals:

Load cell is FM approved

Approvals



Standard Features

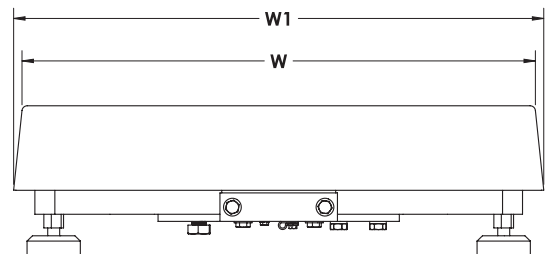
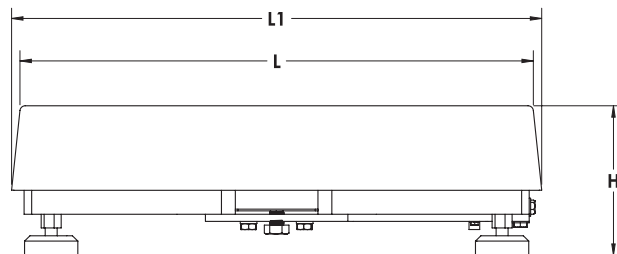
- IP69K stainless steel load cell
- Rugged washdown design, rigid 304 stainless steel frame and cover constructed with continuous welds
- Four adjustable stainless steel support feet
- Meets Sanitary Design Principles
- Meets HACCP requirements

Dimensions

BenchMark HE-X			
12 × 12 in			
H	5.25 in	W	18.00 in
L	12.00 in	W1	18.50 in
L1	12.50 in		
18 × 18 in			
H	5.25 in	W	18.00 in
L	18.00 in	W1	18.75 in
L1	18.75 in		

18 × 24 in			
H	5.25 in	W	24.00 in
L	18.00 in	W1	24.75 in
L1	18.75 in		
24 × 24 in			
H	5.25 in	W	24.00 in
L	24.00 in	W1	24.75 in
L1	24.75 in		

Note: 1 in = 25.4 mm



Part Number/Price

Part #	Capacity	Platform Dimensions (L x W x H)	Est. Weight	Price
192346	50 lb (25 kg)	12 x 18 x 5.25 in	59 lb	\$2,925.00
192347	100 lb (50 kg)	12 x 18 x 5.25 in	59 lb	\$2,925.00
191455	50 lb (25 kg)	18 x 18 x 5.25 in	73 lb	\$3,100.00
191456	100 lb (50 kg)	18 x 18 x 5.25 in	73 lb	\$3,100.00
191457	150 lb (75 kg)	18 x 18 x 5.25 in	73 lb	\$3,100.00
191458	200 lb (100 kg)	18 x 18 x 5.25 in	73 lb	\$3,100.00
191459	250 lb (125 kg)	18 x 18 x 5.25 in	73 lb	\$3,100.00
191460	300 lb (150 kg)	18 x 18 x 5.25 in	73 lb	\$3,100.00
191461	500 lb (250 kg)	18 x 18 x 5.25 in	73 lb	\$3,100.00
191462	1,000 lb (500 kg)	18 x 18 x 5.25 in	73 lb	\$3,100.00
191467	50 lb (25 kg)	18 x 24 x 5.25 in	90 lb	\$3,345.00
191469	100 lb (50 kg)	18 x 24 x 5.25 in	90 lb	\$3,345.00
191470	150 lb (75 kg)	18 x 24 x 5.25 in	90 lb	\$3,345.00
191472	200 lb (100 kg)	18 x 24 x 5.25 in	90 lb	\$3,345.00
191473	250 lb (125 kg)	18 x 24 x 5.25 in	90 lb	\$3,345.00
191474	300 lb (150 kg)	18 x 24 x 5.25 in	90 lb	\$3,345.00
191475	500 lb (250 kg)	18 x 24 x 5.25 in	90 lb	\$3,345.00
191476	1,000 lb (500 kg)	18 x 24 x 5.25 in	90 lb	\$3,345.00
191479	100 lb (50 kg)	24 x 24 x 5.25 in	122 lb	\$3,600.00
191480	150 lb (75 kg)	24 x 24 x 5.25 in	122 lb	\$3,600.00
191481	200 lb (100 kg)	24 x 24 x 5.25 in	122 lb	\$3,600.00
191482	250 lb (125 kg)	24 x 24 x 5.25 in	122 lb	\$3,600.00
191483	300 lb (150 kg)	24 x 24 x 5.25 in	122 lb	\$3,600.00
191485	500 lb (250 kg)	24 x 24 x 5.25 in	122 lb	\$3,600.00
191486	1,000 lb (500 kg)	24 x 24 x 5.25 in	122 lb	\$3,600.00

Options/Accessories


Part #	Description	Catalog Page #
Consult	Scale columns	See page 204
Consult	Ball transfer and roller conveyor scale tops	See page 203
Consult	Mobile scale carts	See page 199 to page 202

BenchMark® LP

Low-Profile Bench Scale

BENCH SCALES



 Ideal for aviation weighing. A complete system can be sold with the Tracer® AV2. Reference Aviation section for specifications.

Standard Features

- Mild steel base construction
- 304 stainless steel cover
- ABS junction box
- Four planar beam load cells
- Adjustable leveling feet
- 20 ft of EL147 load cell cable
- Holes in lower frame for mounting scale without adjustable leveling feet

Specifications

Load Cell, Rated Output:
IP65 aluminum, 1.0 mV/V ±10%

End Load Capacity:
60% of full scale capacity

Cable Length:
20 ft (6.1 m) for connecting junction box to indicator

Scale Frame:
Mild steel powder coated black

Scale Cover:
AISI304L, straight line finish, Ra= 45 +/- 10

Warranty:
Two-year limited

Approvals:
NTEP CC 08-017, Class III 5,000 d
(except 1,000 lb capacity)
Measurement Canada AM 5660
(except 500 kg capacity)

Approvals



Part Number/Price

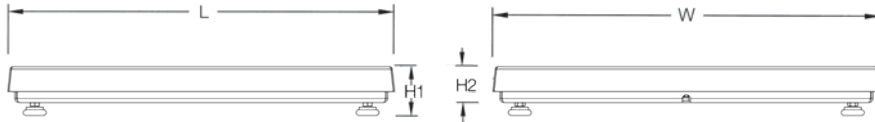
Part #	Capacity	Platform Dimensions L x W x H1 (H2)	Est. Weight	Price
97662	100 lb (50 kg)	18 x 18 x 2.63 in (1.67 in*)	75 lb	\$1,385.00
97663	250 lb (125 kg)	18 x 18 x 2.50 in (1.74 in*)	85 lb	\$1,415.00
97664	500 lb (250 kg)	18 x 18 x 2.69 in (1.93 in*)	85 lb	\$1,450.00
97665	100 lb (50 kg)	24 x 24 x 2.66 in (1.69 in*)	85 lb	\$1,655.00
97666	250 lb (125 kg)	24 x 24 x 2.83 in (2.07 in*)	100 lb	\$1,680.00
97667	500 lb (250 kg)	24 x 24 x 3.02 in (2.26 in*)	100 lb	\$1,715.00
97668	500 lb (250 kg)	30 x 30 x 3.02 in (2.26 in*)	150 lb	\$1,975.00
97669**	1,000 lb (500 kg)	30 x 30 x 3.47 in (2.70 in*)	190 lb	\$2,040.00
97670	500 lb (250 kg)	36 x 36 x 3.02 in (2.26 in*)	175 lb	\$2,590.00
97671**	1,000 lb (500 kg)	36 x 36 x 3.47 in (2.70 in*)	175 lb	\$2,650.00

*Height without adjustable leveling feet

** Non-NTEP or Measurement Canada Approved

Options/Accessories

Part #	Description	Price
208904	20 ft cable with DB-9 connector for connecting to Tracer AV2	\$50.00



Dimensions

BenchMark LP			
PN 97662			
H1	2.63 in	L	18.00 in
H2	1.67 in	W	18.00 in
PN 97663			
H1	2.50 in	L	18.00 in
H2	1.74 in	W	18.00 in
PN 97664			
H1	2.69 in	L	18.00 in
H2	1.93 in	W	18.00 in
PN 97665			
H1	2.66 in	L	24.00 in
H2	1.69 in	W	24.00 in

Note: 1 in = 25.4 mm

PN 97666			
H1	2.83 in	L	24.00 in
H2	2.07 in	W	24.00 in
PN 97667			
H1	3.02 in	L	24.00 in
H2	2.26 in	W	24.00 in
PN 97668			
H1	3.02 in	L	30.00 in
H2	2.26 in	W	30.00 in
PN 97669			
H1	3.47 in	L	30.00 in
H2	2.70 in	W	30.00 in

Note: 1 in = 25.4 mm

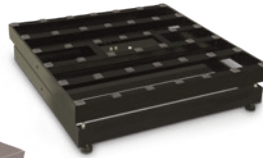
PN 97670			
H1	3.02 in	L	36.00 in
H2	2.26 in	W	36.00 in
PN 97671			
H1	3.47 in	L	36.00 in
H2	2.70 in	W	36.00 in

Note: 1 in = 25.4 mm

BenchMark® HD

Heavy-Duty Bench Scale

BENCH SCALES



Standard Features

- Heavy-duty designed mild steel base construction with 304 stainless steel cover
- Polyurethane rubber leveling feet with stainless steel stems

Specifications

Load Cell, NTEP Certified:
IP67 aluminum, environmentally sealed

Output Impedance:
350 ohm

Maximum Overload:
200%

Overload Protection:
Five-point, independently adjusted

Scale Frame:
Mild steel powder coated black

Scale Cover:
AISI304L, straight line finish, Ra= 45 +/- 10

Cable Length:
10 ft (3 m)

Compensated Temperature Range:
14 °F to 104 °F (-10 °C to 40 °C)

Warranty:
Two-year limited

Approvals:
NTEP CC 06-010, Class III 5,000 d
Measurement Canada AM-5625
Load cell is cFMus approved

Approvals



Measurement
Canada
Approved



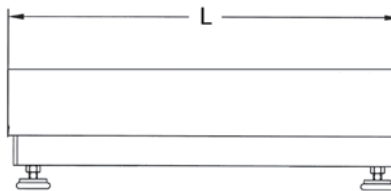
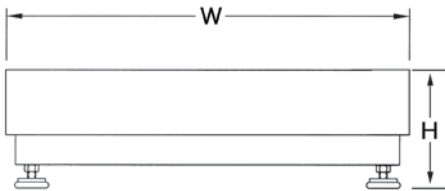
Part Number/Price

Part #	Capacity	Platform Dimensions (L × W × H)	Est. Weight	Price
93414	250 lb (125 kg)	30 × 30 × 8.75 in	300 lb	\$2,125.00
93415	500 lb (225 kg)	30 × 30 × 8.75 in	300 lb	\$2,125.00
93416	250 lb (125 kg)	36 × 36 × 8.75 in	330 lb	\$2,575.00
93417	500 lb (225 kg)	36 × 36 × 8.75 in	330 lb	\$2,575.00

Dimensions

BenchMark HD			
30 × 30 in			
H	8.75 in	W	30.00 in
L	30.00 in		
36 × 36 in			
H	8.75 in	W	36.00 in
L	36.00 in		

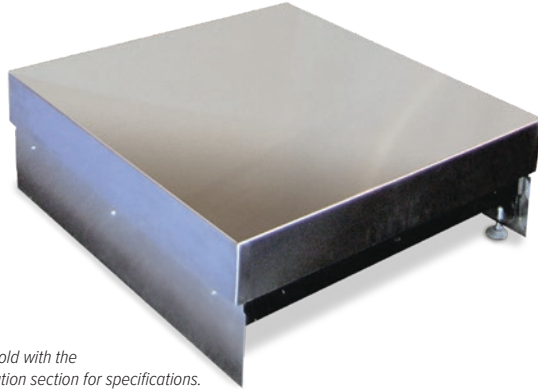
Note: 1 in = 25.4 mm



BenchMark® HD-1 Aviation

Heavy Duty Bench Scale

BENCH SCALES



*Ideal for aviation weighing.
A complete system can be sold with the
Tracer® AV2. Reference Aviation section for specifications.*

Approvals



Measurement
Canada
Approved



Part Number/Price

Part #	Capacity	Platform Dimensions	Price
Consult	500 lb (225 kg)	W × D × 12 in	Consult

*Note: Maximum size is up to 36in × 36in, height is always 12in
W × D supplied by customer*

Standard Features

- Heavy-duty scale designed mild steel base construction with 304 stainless steel cover
- Polyurethane rubber leveling feet with stainless steel stems
- Load cell comes standard with DB-9 connector for connecting to Tracer AV2
- Front and back kick plates

Specifications

Load Cell, NTEP Certified:
IP67 aluminum, environmentally sealed

Output Impedance:
350 ohm

Maximum Overload:
200%

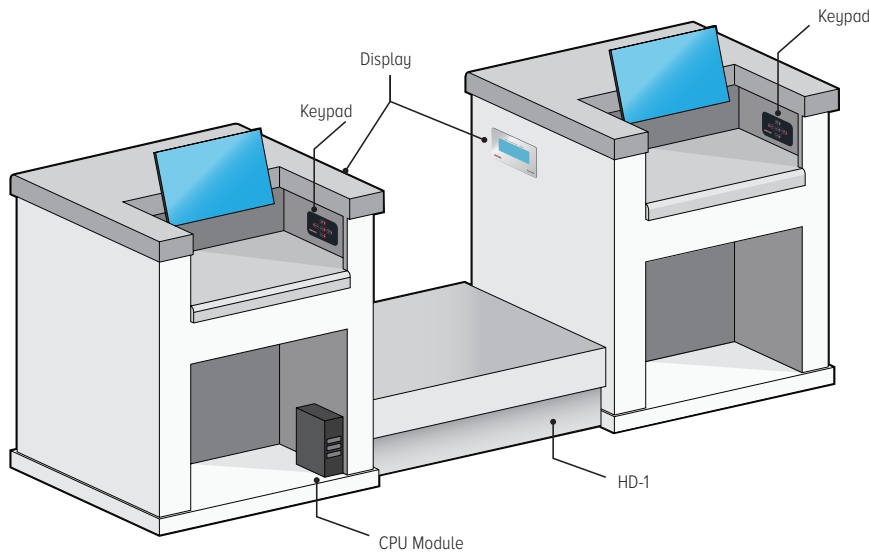
Overload Protection:
Five-point, independently adjusted

Cable Length:
10 ft (3 m)

Compensated Temperature Range:
14 °F to 104 °F (-10 °C to 40 °C)

Warranty:
Two-year limited

Approvals:
NTEP CC 06-010, Class III 5,000 d
Measurement Canada AM-5625
Load cell is cFMus approved

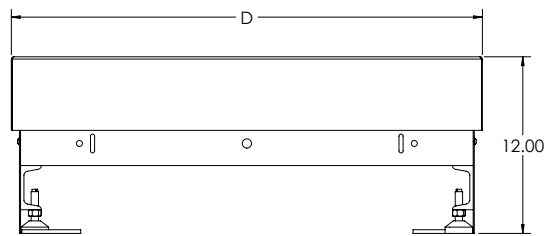
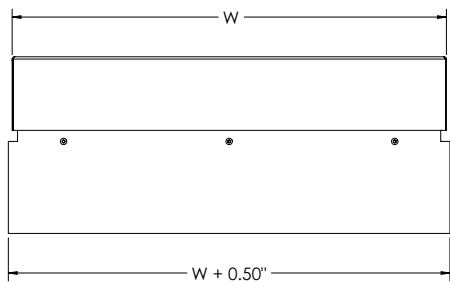
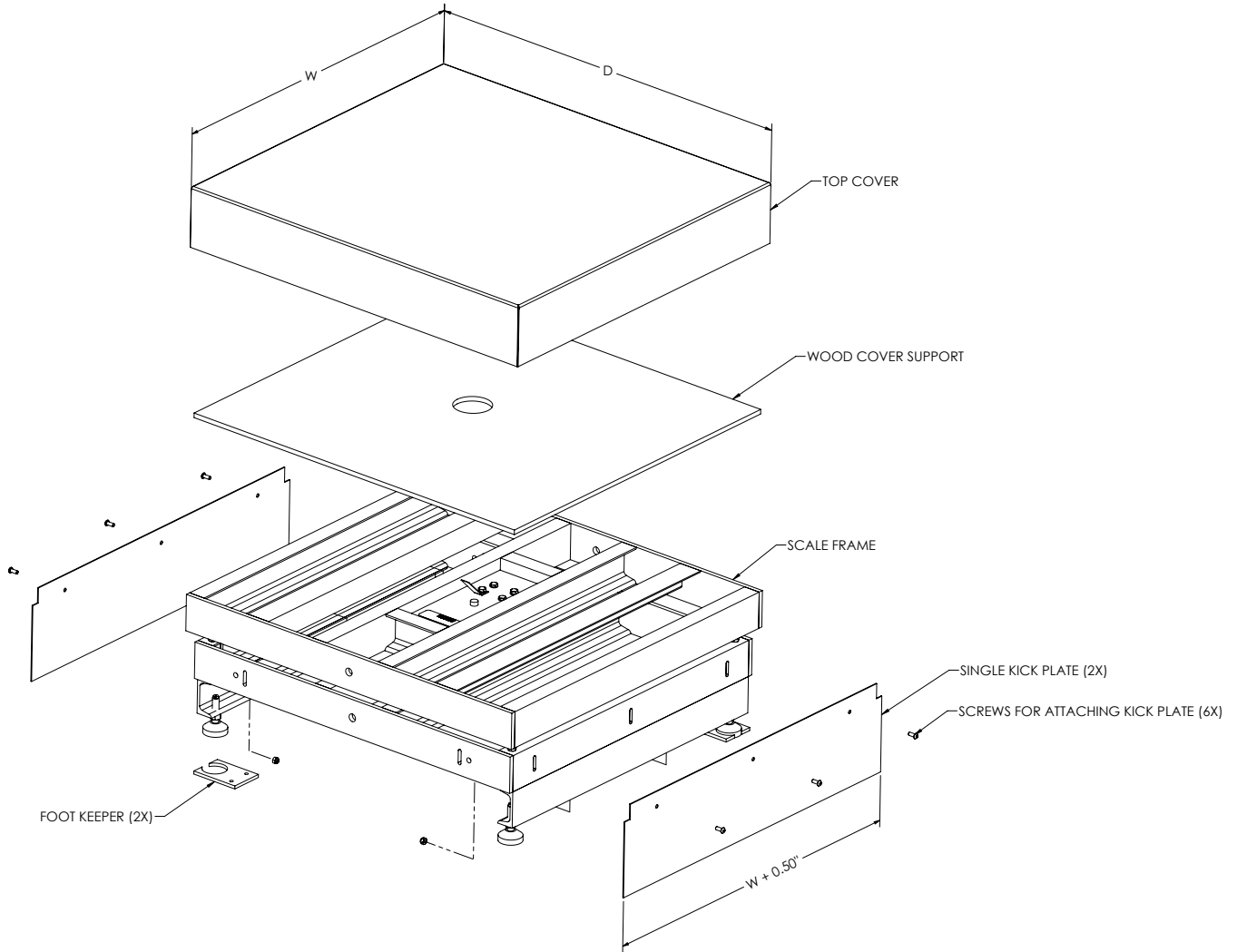


Baggage weighing system with Benchmark HD-1 and Tracer AV2Dual LCD Panel Mount Display, Dual keypad

BenchMark® HD-1 Aviation

Heavy Duty Bench Scale

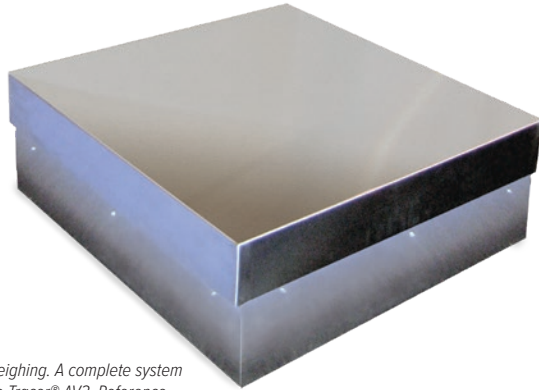
BENCH SCALES



BenchMark® HD-2 Aviation

Heavy Duty Bench Scale

BENCH SCALES



✈ Ideal for aviation weighing. A complete system can be sold with the Tracer® AV2. Reference Aviation section for specifications.

Approvals



Measurement
Canada
Approved



Part Number/Price

Part #	Capacity	Platform Dimensions	Price
Consult	500 lb (225 kg)	W × D × 12 in	Consult

Note: Maximum size is up to 36in × 36in, height is always 12in W × D supplied by customer.

Standard Features

- Heavy-duty scale designed mild steel base construction with 304 stainless steel cover
- Polyurethane rubber leveling feet with stainless steel stems
- Load cell comes standard with DB-9 connector for connecting to Tracer AV2
- Three-sided kick plate

Specifications

Load Cell, NTEP Certified:

IP67 aluminum, environmentally sealed

Output Impedance:

350 ohm

Maximum Overload:

200%

Overload Protection:

Five-point, independently adjusted

Cable Length:

10 ft (3 m)

Compensated Temperature Range:

14 °F to 104 °F (-10 °C to 40 °C)

Warranty:

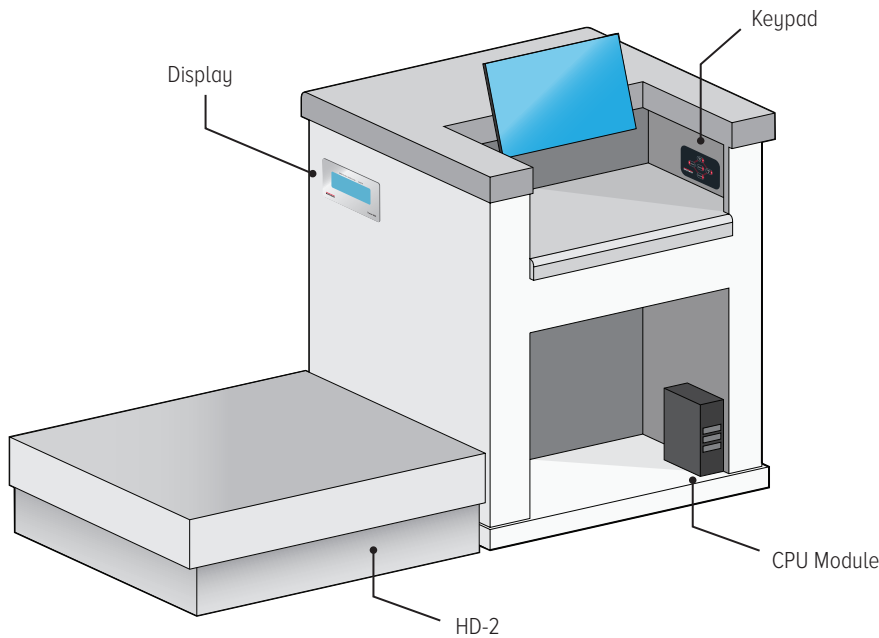
Two-year limited

Approvals:

NTEP CC 06-010, Class III 5,000 d

Measurement Canada AM-5625

Load cell is cFMus approved

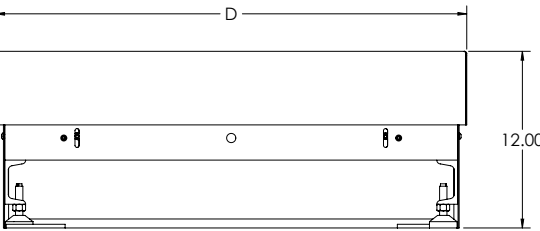
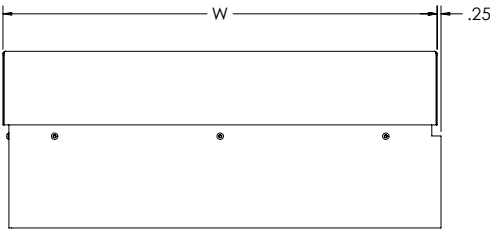
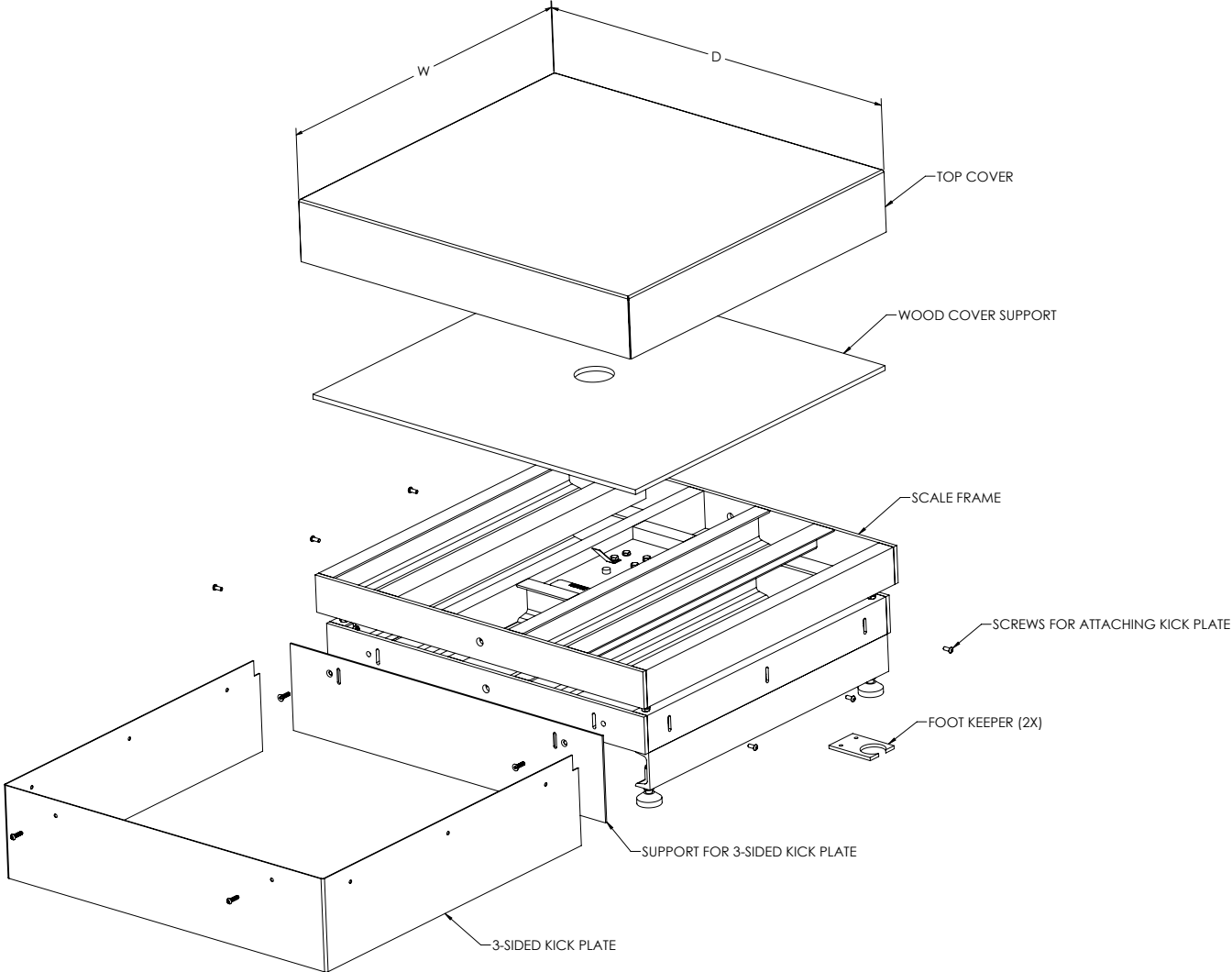


Baggage weighing system with Benchmark HD-2 and Tracer AV2 Single LCD Panel Mount Display, Single keypad

BenchMark® HD-2 Aviation

Heavy Duty Bench Scale

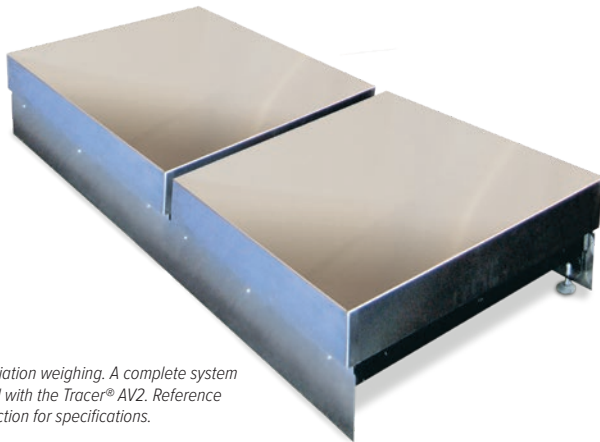
BENCH SCALES



BenchMark® HD-3 Aviation

Heavy Duty Bench Scale

BENCH SCALES



Ideal for aviation weighing. A complete system can be sold with the Tracer® AV2. Reference Aviation section for specifications.

Approvals



Measurement
Canada
Approved



Part Number/Price

Part #	Capacity	Platform Dimensions	Price
Consult	500 lb (225 kg)	W × D × 12 in	Consult

*Note: Maximum size is up to 36in × 36in, height is always 12in
W × D supplied by customer.*

Standard Features

- Two heavy-duty scales designed mild steel base construction with 304 stainless steel cover
- Polyurethane rubber leveling feet with stainless steel stems
- Load cell comes standard with DB-9 connector for connecting to Tracer AV2
- Front and back kick plates for two side-by-side scales

Specifications

Load Cell, NTEP Certified:

IP67 aluminum, environmentally sealed

Output Impedance:

350 ohm

Maximum Overload:

200%

Overload Protection:

Five-point, independently adjusted

Cable Length:

10 ft (3 m)

Compensated Temperature Range:

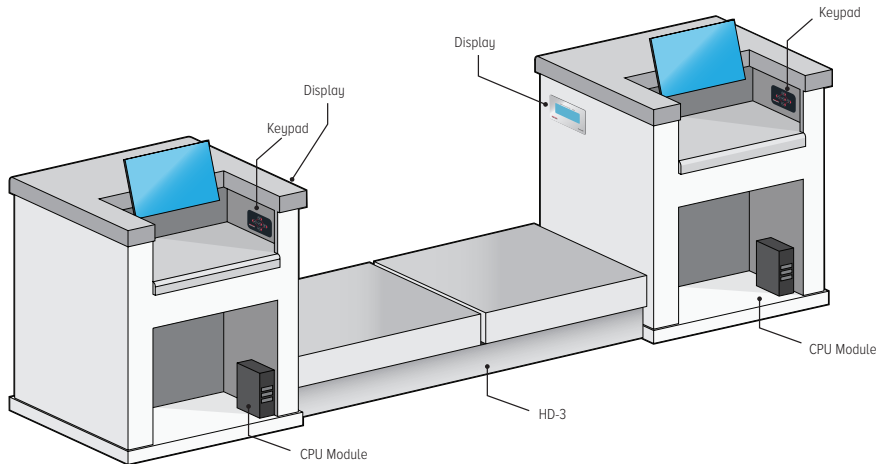
14 °F to 104 °F (-10 °C to 40 °C)

Warranty:

Two-year limited

Approvals:

NTEP CC 06-010, Class III 5,000 d
Measurement Canada AM-5625
Load cell is cFMus approved

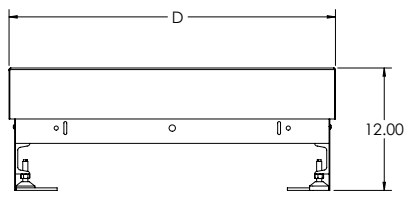
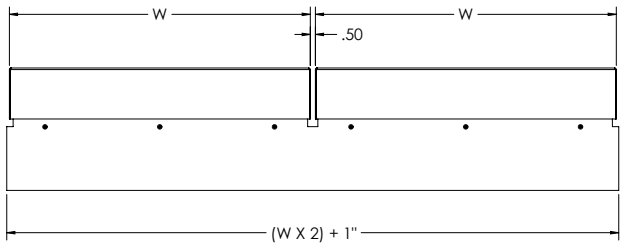
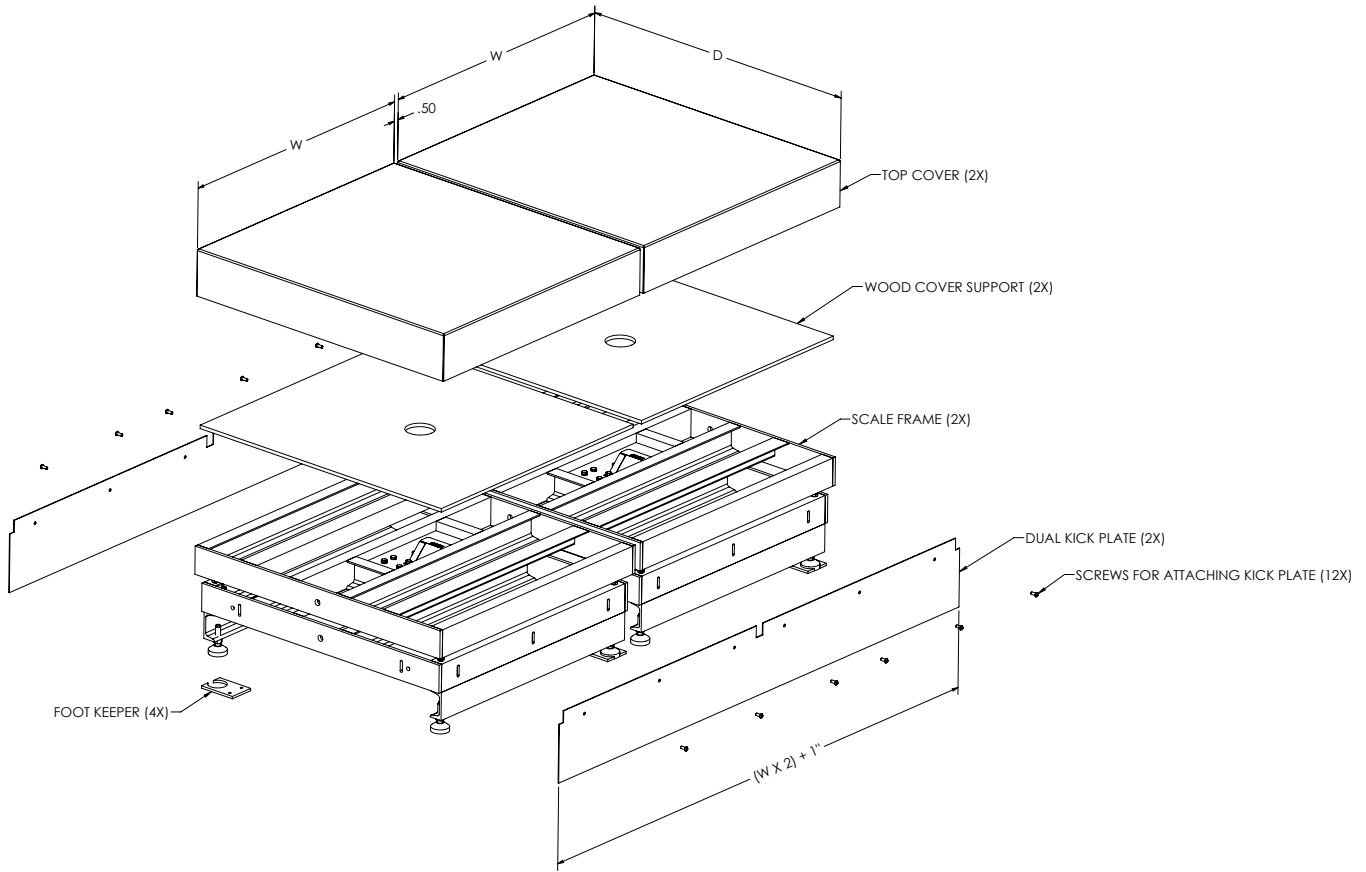


Baggage weighing system with BenchMark HD-3 and Tracer AV2 Single LCD Panel Mount Display, Single keypad

BenchMark® HD-3 Aviation

Heavy Duty Bench Scale

BENCH SCALES



BenchMark® HDP

Portable Heavy-Duty Bench Scale

BENCH SCALES



Standard Features

- Mild steel base construction
- 304 stainless steel cover
- Indicator stand for mounting
480/482 Legend® Series or 380 Synergy

Wheel model

- Polyurethane rubber leveling feet with stainless steel stems
- 8-inch diameter preformed rubber wheels with ball bearings

Caster model

- 3 1/2 in diameter preformed rubber casters, two fixed, two swivel with lock

Specifications

Load Cell, NTEP Certified:

IP67 aluminum, environmentally sealed

Output Impedance:

350 ohm

Maximum Overload:

200%

Overload Protection:

Five-point, independently adjusted

Scale Frame:

Mild steel powder-coated black

Scale Cover:

AISI304L, straight line finish, Ra= 45 +/- 10

Cable Length:

10 ft (3 m)

Compensated Temperature Range:

14 °F to 104 °F (-10 °C to 40 °C)

Warranty:

Two-year limited

Approvals:

NTEP CC 06-010, Class III 5,000 d
Measurement Canada AM-5625

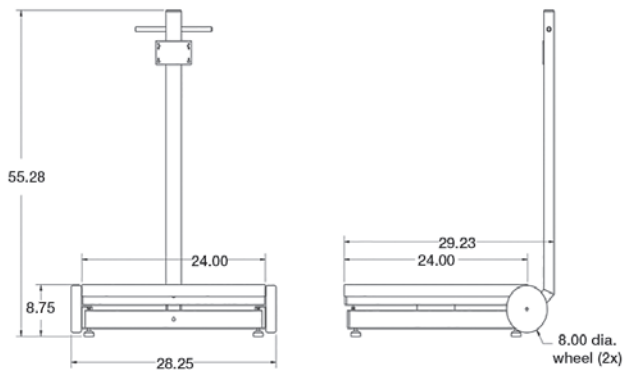
Approvals



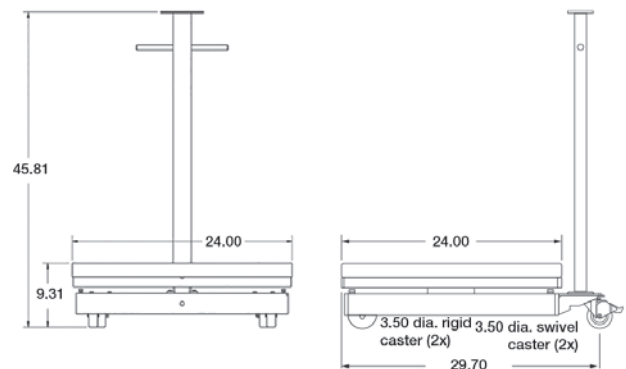
Measurement
Canada
Approved

Part Number/Price

Part #	Capacity	Platform Dimensions	Est. Weight	Price
Wheel Model				
97072	250 lb (125 kg)	24 × 24 × 8.75 in	275 lb	\$2,495.00
97073	500 lb (225 kg)	24 × 24 × 8.75 in	275 lb	\$2,495.00
Caster Model				
97074	250 lb (125 kg)	24 × 24 × 9.31 in	290 lb	\$2,495.00
97075	500 lb (225 kg)	24 × 24 × 9.31 in	290 lb	\$2,495.00



Wheel Model



Caster Model

Ishida iPC Series

Portable Bench Scale

BENCH SCALES



Standard Features

- Six-digit liquid crystal display (LCD)
- Powered by two D cell batteries (up to 500 hours of operation)
- Auto power-off function
- Low battery indicator
- Overload stops
- Batteries and AC adapter not included

Specifications

Display:

Six-digit (seven-segment), LCD
Character height: 1 in (25.4 mm)

Keyboard:

Zero, tare, on/off, unit (lb/kg)
NOTE: oz version only displays weight in oz

Power:

Two dry cell D type batteries* (up to 500 hours) or AC adapter
Auto power-off function (can be set to 60 min., 20 min., or off)

Operational Temperature:

23 °F to 104 °F (-5 °C to 40 °C)

Divisions (Auto Ranging):

100 oz
0.05 oz: 0 to 50 oz
0.1 oz: 50 to 100 oz

6 lb
0.002 lb: 0 to 3 lb
0.005 lb: 3 to 6 lb

15 lb
0.005 lb: 0 to 6 lb
0.01 lb: 6 to 15 lb

30 lb
0.01 lb: 0 to 15 lb
0.02 lb: 15 to 30 lb

60 lb
0.02 lb: 0 to 30 lb
0.05 lb: 30 to 60 lb

Platter Size:

100 oz (3 kg): 9.1 × 7.8 in
6 lb (3 kg): 9.1 × 7.8 in
15 lb (6 kg): 9.1 × 7.8 in
30 lb (15 kg): 11 × 11.5 in
60 lb (30 kg): 11 × 11.5 in

Warranty:

One-year limited

Approvals:

NTEP Certified CC 02-139, Class III
0 to 30 lb 1,500 d; 60 lb 1,200 d; 0 to 100 oz 1000 d
UL listed

Approvals



Part Number/Price

Part #	Capacity	Platform Dimensions	Est. Weight	Price
Single Display				
75466	100 oz	9.1 × 7.8 in	6 lb	\$295.00
Single Display, Multi-ranging				
75454	6 lb (3 kg)	9.1 × 7.8 in	6 lb	\$295.00
75455	15 lb (6 kg)	9.1 × 7.8 in	6 lb	\$295.00
75457	30 lb (15 kg)	11 × 11.5 in	8 lb	\$295.00
75458	60 lb (30 kg)	11 × 11.5 in	8 lb	\$295.00

Options/Accessories

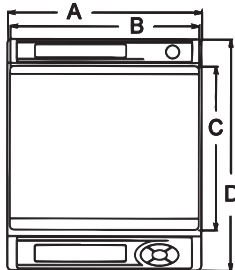
Part #	Description	Price
75470	Stainless steel platter cover (100 oz, 6 lb, and 15 lb capacity)	\$29.00
75739	Stainless steel platter cover (30 lb and 60 lb capacity)	\$29.00
75473 *	AC adapter	\$30.00

*National Recognized Test Laboratory certified adapter

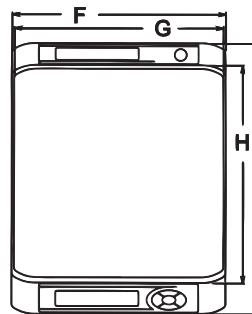
Dimensions

Ishida iPC Series			
A	9.30 in	F	11.30 in
B	9.10 in	G	11.00 in
C	7.80 in	H	11.50 in
D	11.10 in	I	14.30 in
E	3.90 in	J	4.00 in

Note: 1 in = 25.4 mm



iPC 9.1" x 7.8" platter



iPC 11" x 11.5" platter

Versa-portion®

Compact Scale

BENCH SCALES



Approvals



Measurement
Canada
Approved

Part Number/Price

Part #	Description	Capacity	Est. Weight	Price
115125	RLP-6S	6.00 × 0.002 lb	15 lb (6.3 kg)	\$450.00
115128	RLP-15S	15.00 × 0.005 lb	15 lb (6.3 kg)	\$450.00
115129	RLP-30S	30.00 × 0.01 lb	15 lb (6.3 kg)	\$450.00
115130	RLP-60S	60.00 × 0.02 lb	15 lb (6.3 kg)	\$450.00

Options/Accessories

Part #	Description	Price
108516	Rechargeable battery	\$50.00
108518	AC adapter 110-230 VAC, U.S. plug	\$50.00
129953	AC adapter, 110-230 VAC, Euro plug	\$55.00
115519	Additional operator guide	\$10.00

Standard Features

- Compact and easy to use
- IP68 water and dust resistant
- Stainless steel finish
- Removable weigh pan for quick and easy cleaning
- LED display
- AC adapter included
- Legal for Trade
- HACCP compliant

Options

- Rechargeable battery

Specifications

Display:

LED, six-digit

Capacity:

Pound	Gram	Ounce
6.0 × 0.002 lb	3,000 × 1 g	60.0 × 0.02 oz
15.0 × 0.005 lb	6,000 × 2 g	150.0 × 0.05 oz
30.0 × 0.01 lb	15,000 × 5 g	300.0 × 0.1 oz
60.0 × 0.02 lb	30,000 × 10 g	600.0 × 0.2 oz

Display Indicators:

Ounces, grams, pounds, net, center of zero, battery usage

Keyboard:

Rezero, Tare, On/Off, Unit

Resolution:

Internal: 90,000 count

Display: 3,000

Operating Humidity:

15 to 85% RH

Operating Temperature:

14 °F to 104 °F (-10 °C to 40 °C)

Power Consumption:

18 W when using DC power, 3 W when using rechargeable battery
Battery life: 60 hours of continuous usage

Power Source:

AC 117/100 V, 240/230/220 V
DC 12 V/1.5A, DC 6 V 5Ah optional rechargeable battery

Calibration:

RLP-S: Grams

Overall Dimensions:

(L × W × H)

11.4 × 9.9 × 5.3 in

(290 × 252 × 135 mm)

Package Size:

(L × W × H)

14.8 × 13.3 × 9.6 in

(377 × 337 × 245 mm)

Platter Size:

9.3 × 7.8 in

(237 × 198.0 mm)

Approximate Weight:

15 lb (6.3 kg)

Warranty:

One-year limited

Approvals:

NTEP CC 10-068, Class III 3,000 d
Measurement Canada AM-5794



Standard Features

- Simple operation, easy to set up
- Large six-digit backlight LCD display with 1-inch (29 mm) characters protected by heavy-duty tempered glass
- Powered USB HID point of sale interface – kg model only
- Nine-pin RS-232 interface for use with SMA and NCI protocols
- Four AA alkaline battery operation for portability
- Gravitational compensation allows for adjustment of factory calibration to meet your local gravity setting, non-approved

Specifications

Power:

In-line power supply (included)
 Input: 100 to 240 VAC, +10% -15%, 3-wire w/ground
 Terminated with standard USA 3-prong plug
 Output: 12 V at 0.1 Amps DC minimum
 Frequency: 50/60 Hz +/-3 Hz, standard
 Power supply approvals: UL, CE, EN, CUL

Battery Type:

Four AA alkaline batteries, 6 V,
 with low battery indication at 4.3 volts

Battery Life:

50 to 250 hrs depending on backlight and auto-shutdown settings

Resolution:

Internal: 500,000 counts

USB HID:

USB 2.0 full speed; Vendor ID: 1C19;
 Product ID: 0002

Divisions (multi-range):

kg triple range:
 0 to 5 kg x 0.001 kg
 0 to 10 kg x 0.002 kg
 0 to 35 kg x 0.01 kg
lb/oz dual range:
 0 to 7 lb x 0.05 oz
 0 to 70 lb x 0.2 oz

Divisions (Multi-Interval):

Kg triple interval:
 0 to 5 kg x 0.001 kg
 5 to 10 kg x 0.002 kg
 10 to 35 kg x 0.01 kg
Lb/oz dual interval:
 0 to 7 lb x 0.05 oz
 7 to 70 lb x 0.2 oz

Material:

Display: ABS plastic housing
 Scale base:
 Die-cast aluminum load bridge and base housing
 with stainless steel weight platter

Dynamic Response:

Response time for stable weight:
 0 to 1,000d, 1,000 ms, maximum mean average
 1,000d +, 1,500 ms, maximum mean average

Overload Protection:

Corner & center overload protection

Display:

Large six-digit backlight LCD display with 1-inch (29 mm) Characters protected by heavy-duty tempered glass

Annunciators:

Six: Zero, gross/brutto, net, W1/W2/W3 multi-range

Keys/Buttons:

Three: Units, on/off, F1
 (Tare is not applicable)
 Minimum key press life of 500,000 cycles

RS-232 Cable (Included):

10 ft DB 9-pin male to female, straight pass-through

USB Cable (Included):

46 in (1,168 mm) A/B type USB cable

Warranty:

Two-year limited

Approvals:

NTEP CC 17-002
 Canada Weights and Measures: AM - 6050
 CE Marked

Approvals



Measurement
Canada
Approved



Part Number/Price

Part #	Platform Capacity	Dimensions	Est. Weight	Price
187832	35 kg triple range	12 x 14 in	18 lb	\$625.00
195741	35 kg triple interval	12 x 14 in	18 lb	\$625.00
192361	70 lb dual range	12 x 14 in	18 lb	\$625.00
195742	70 lb dual interval	12 x 14 in	18 lb	\$625.00

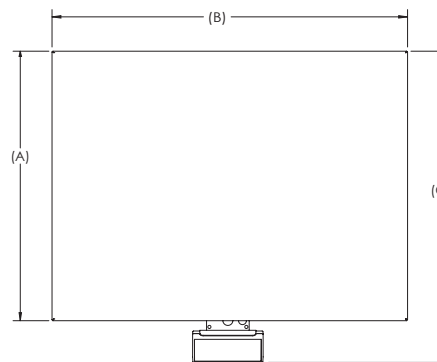
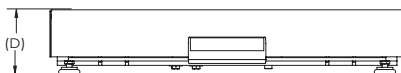
Options/Accessories

Part #	Description	Est. Weight	Price
174783	Column bracket and post (12 x 14 scale only)	2 lb	\$50.00
180901	Second customer display, BenchPro BP-P no keyboard with 68 in cable	4 lb	\$72.00
174784	Second remote operator display, BenchPro BP-P with 68 in cable	4 lb	\$88.00
183103	16 in (H) tabletop display post for use with second display, customer or remote operator	4 lb	\$215.00
178501	USB RS-232 serial adapter 3.28 ft cable	1 lb	\$60.00

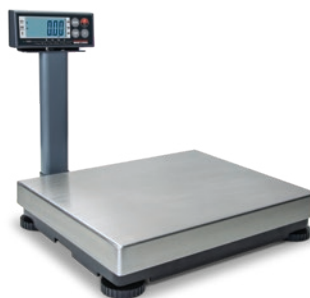
Dimensions

BenchPro BP-P			
A	12.00 in	C	14.50 in
B	14.00 in	D	2.70 in

Note: 1 in = 25.4 mm



BP-P shown with 183103 and 180901



Shown with 174783

BenchPro™ BP-S

Shipping Bench Scale

BENCH SCALES



Approvals



Measurement
Canada
Approved



Part Number/Price

Part #	Platform Capacity	Dimensions	Est. Weight	Price
174879 *	150 × 0.05 lb (75 × 0.02 kg)	12 × 14 in	17 lb	\$625.00
182993	150 × 0.05 lb (75 × 0.02 kg)	12 × 16 in	31 lb	\$1,135.00
182391	100 × 0.02 lb (50 × 0.01 kg)	18 × 18 in	63 lb	\$1,490.00
182378	150 × 0.05 lb (75 × 0.02 kg)	18 × 18 in	63 lb	\$1,490.00
182382	300 × 0.1 lb (150 × 0.05 kg)	18 × 18 in	63 lb	\$1,490.00
182395	300 × 0.1 lb (150 × 0.05 kg)	20 × 20 in	76 lb	\$1,670.00
182399	300 × 0.1 lb (150 × 0.05 kg)	24 × 24 in	131 lb	\$1,840.00

* Battery or DC power

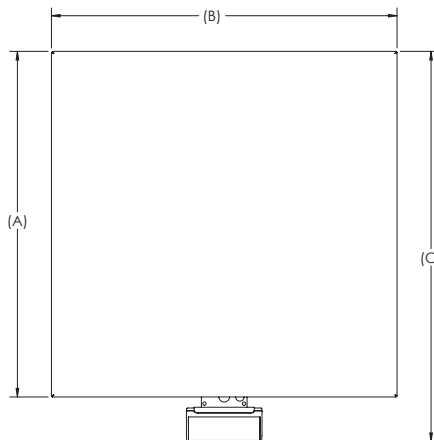
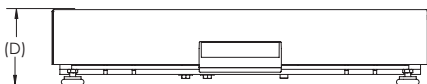
Options/Accessories

Part #	Description	Est. Weight	Price
174783	Column bracket and post (12 × 14 scale only)	2 lb	\$50.00
180901	Second customer display, BenchPro BP-S no keyboard with 68 in cable	4 lb	\$72.00
174784	Second remote operator display, BenchPro BP-S with 68 in cable	4 lb	\$88.00
183103	16 in (H) tabletop display post for use with second display, customer or remote operator	4 lb	\$215.00
178501	USB RS-232 serial adapter	1 lb	\$60.00

Dimensions

	A	B	C	D
12 × 14 in	12.00 in	14.00 in	14.50 in	2.70 in
12 × 16 in	12.00 in	16.00 in	15.30 in	4.32 in
18 × 18 in	18.00 in	18.00 in	21.10 in	4.30 in
20 × 20 in	20.00 in	20.00 in	23.10 in	4.30 in
24 × 24 in	24.00 in	24.00 in	27.10 in	4.30 in

Note: 1 in = 25.4 mm



Standard Features

- Simple operation, easy to set up
- Large six-digit backlight LCD display with 1-inch (29 mm) characters protected by heavy-duty tempered glass
- Powered USB HID point of sale interface
- Nine-pin RS-232 interface for use with SMA and NCI protocols
- Four AA alkaline battery operation for portability
- Gravitational compensation allows for adjustment of factory calibration to meet your local gravity setting, non-approved
- Compatible with FedEx Ship Manager® and UPS Worldship®

Specifications

Power:

In-line power supply (included)
Input: 100 to 240 VAC, +10% -15%, 3-wire w/ground
Terminated with standard USA 3-prong plug

Battery: (12 × 14 in scale only)

Four AA alkaline batteries,
6 V, with low battery indication at 4.3 volts

Power Consumption:

12 V at 0.1 Amps DC minimum

Frequency:

50/60 Hz +/-3 Hz, standard

Battery Life:

50 to 250 hrs depending on backlight and auto-shutdown settings

Resolution:

Internal: 500,000 counts

USB HID:

USB 2.0 full speed; Vendor ID: 1C19;
Product ID: 0002

RS-232 Cable (Included):

10 ft DB 9-pin male to female, straight pass-through

USB Cable (Included):

46 in (1,168 mm) A/B type USB cable

Dynamic Response:

Response time for stable weight:
0 to 1,000d, 1,000 ms, maximum mean average
1,000d +, 1,500 ms, maximum mean average

Overload Protection:

Corner & center overload protection

Annunciators:

Six: zero, gross/brutto, net, W1/W2/W3 multi-range

Display:

Large six-digit backlight LCD display with 1-inch (29 mm)
Characters protected by heavy-duty tempered glass

Keys/Buttons:

Four: Units, tare, on/off, F1
Minimum key press life of 500,000 cycles

Material:

Display: ABS plastic housing
Scale base: Powder coat painted mild steel base plate and load bridge with stainless steel weight platter
BP-S 12 × 14 in: Die-cast aluminum load bridge and base housing with stainless steel weight platter

Warranty:

Two-year limited

Approvals:

NTEP CC 17-002
Canada Weights and Measures: AM-6050
CE Marked

BenchPro™ BP-SB

Shipping Bench Scale with Ball Top Shroud

BENCH SCALES



Approvals



Measurement
Canada
Approved



Part Number/Price

Part #	Capacity	Dimensions	Est. Weight	Price
182995	150 × 0.05 lb (75 × 0.02 kg)	12 × 16 in	37 lb	\$1,365.00
182393	100 × 0.02 lb (50 × 0.01 kg)	18 × 18 in	73 lb	\$1,835.00
182380	150 × 0.05 lb (75 × 0.02 kg)	18 × 18 in	73 lb	\$1,835.00
182384	300 × 0.1 lb (150 × 0.05 kg)	18 × 18 in	73 lb	\$1,835.00
182397	300 × 0.1 lb (150 × 0.05 kg)	20 × 20 in	88 lb	\$2,035.00
182401	300 × 0.1 lb (150 × 0.05 kg)	24 × 24 in	131 lb	\$2,240.00

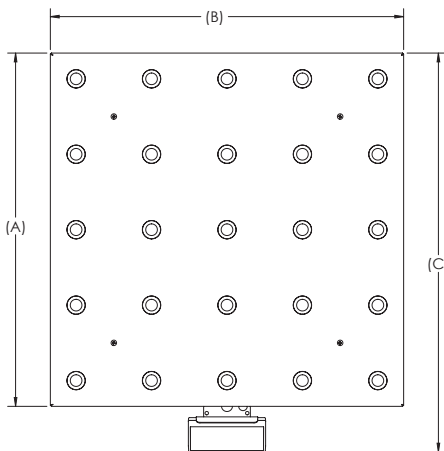
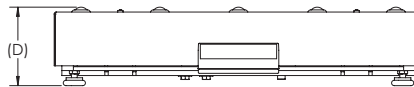
Options/Accessories

Part #	Description	Est. Weight	Price
180901	Second customer display, BenchPro BP-SB no keyboard with 68 in cable	4 lb	\$72.00
174784	Second remote operator display, BenchPro BP-SB with 68 in cable	4 lb	\$88.00
183103	16 in (H) tabletop display post for use with second display, customer or remote operator	4 lb	\$215.00
178501	USB RS-232 serial adapter	1 lb	\$60.00

Dimensions

	A	B	C	D
12 × 16 in	12.00 in	16.00 in	15.30 in	4.32 in
18 × 18 in	18.00 in	18.00 in	21.10 in	4.86 in
20 × 20 in	20.00 in	20.00 in	23.10 in	4.86 in
24 × 24 in	24.00 in	24.00 in	27.10 in	4.86 in

Note: 1 in = 25.4 mm



Standard Features

- Simple operation, easy to set up
- Large six-digit backlight LCD display with 1-inch (29 mm) characters protected by heavy-duty tempered glass
- Powered USB HID point of sale interface
- Nine-pin RS-232 interface for use with SMA and NCI protocols
- Four AA alkaline battery operation for portability
- Gravitational compensation allows for adjustment of factory calibration to meet your local gravity setting, non-approved
- Compatible with FedEx Ship Manager® and UPS Worldship®

Specifications

Power:

In-line power supply (included)
Input: 100 to 240 VAC, +10% -15%, 3-wire w/ground
Terminated with standard USA 3-prong plug
Output: 12 V at 0.1 Amps DC minimum
Frequency: 50/60 Hz +/-3 Hz, standard
Approvals: UL, CE, EN, CUL

Resolution:

Internal: 500,000 counts

USB HID:

USB 2.0 full speed; Vendor ID: 1C19;
Product ID: 0002

RS-232 Cable (Included):

10 ft DB 9-pin male to female, straight pass-through

USB Cable (Included):

46 in (1,168 mm) A/B type USB cable

Dynamic Response:

Response time for stable weight:
0 to 1,000d, 1,000 ms, maximum mean average
1,000d +, 1,500 ms, maximum mean average

Overload Protection:

Corner & center overload protection

Annunciators:

Six: Zero, gross/brutto, net, W1/W2/W3 multi-range

Display:

Large six-digit backlight LCD display with 1-inch (29 mm) Characters protected by heavy-duty tempered glass

Keys/Buttons:

Four: Units, tare, on/off, F1
Minimum key press life of 500,000 cycles

Material:

Display: A BS plastic housing
Scale base: Powder coat painted mild steel base plate and load bridge.
Carbon steel ball with carbon steel zinc-plated housing. Stainless steel shroud.

Warranty:

Two-year limited

Approvals:

NTEP CC 17-002
Canada Weights and Measures: AM - 6050
CE Marked

BenchPro™ BP-SR

Shipping Bench Scale with Roller Conveyor

BENCH SCALES



Approvals



Measurement
Canada
Approved



Part Number/Price

Part #	Platform Capacity	Dimensions	Est. Weight	Price
182996	150 × 0.05 lb (75 × 0.02 kg)	12 × 16 in	41 lb	\$1,290.00
182394	100 × 0.02 lb (50 × 0.01 kg)	18 × 18 in	77 lb	\$1,650.00
182381	150 × 0.05 lb (75 × 0.02 kg)	18 × 18 in	77 lb	\$1,650.00
182386	300 × 0.1 lb (150 × 0.05 kg)	18 × 18 in	77 lb	\$1,650.00
182398	300 × 0.1 lb (150 × 0.05 kg)	20 × 20 in	94 lb	\$1,769.00
182402	300 × 0.1 lb (150 × 0.05 kg)	24 × 24 in	131 lb	\$1,939.00

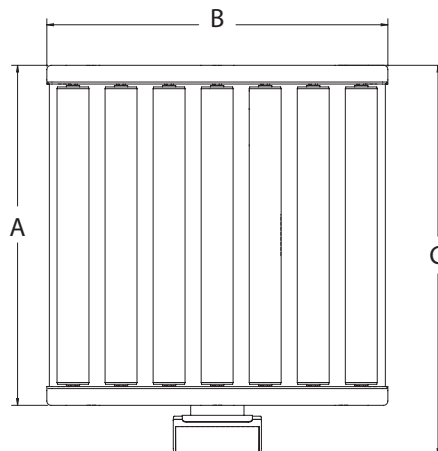
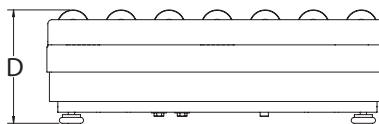
Options/Accessories

Part #	Description	Est. Weight	Price
180901	Second customer display, BenchPro BP-SR no keyboard with 68 in cable	4 lb	\$72.00
174784	Second remote operator display, BenchPro BP-SR with 68 in cable	4 lb	\$88.00
183103	16 in (H) tabletop display post for use with second display, customer or remote operator	4 lb	\$215.00
178501	USB RS-232 serial adapter	1 lb	\$60.00

Dimensions

	A	B	C	D
12 × 16 in	12.00 in	16.00 in	15.30 in	5.95 in
18 × 18 in	18.00 in	18.00 in	21.10 in	6.50 in
20 × 20 in	20.00 in	20.00 in	23.10 in	6.50 in
24 × 24 in	24.00 in	24.00 in	27.10 in	6.50 in

Note: 1 in = 25.4 mm



Standard Features

- Simple operation, easy to set up
- Large six-digit backlight LCD display with 1-inch (29-mm) characters protected by heavy-duty tempered glass
- Powered USB HID point of sale interface
- Nine-pin RS-232 interface for use with SMA and NCI protocols
- Four AA alkaline battery operation for portability
- Gravitational compensation allows for adjustment of factory calibration to meet your local gravity setting, non-approved
- Compatible with FedEx Ship Manager® and UPS Worldship®

Specifications

Power:

In-line power supply (included)
Input: 100 to 240 VAC, +10% -15%, 3-wire w/ground
Terminated with standard USA 3-prong plug
Output: 12 V at 0.1 Amps DC minimum
Frequency: 50/60 Hz +/-3 Hz, standard
Approvals: UL, CE, EN, CUL

Resolution:

Internal: 500,000 counts

USB HID:

USB 2.0 full speed; Vendor ID: 1C19;
Product ID: 0002

RS-232 Cable (Included):

10 ft DB 9-pin male to female, straight pass-through

USB Cable (Included):

46 in (1,168 mm) A/B type USB cable

Dynamic Response:

Response time for stable weight:
0 to 1,000d, 1,000 ms, maximum mean average
1,000d +, 1,500 ms, maximum mean average

Overload Protection:

Corner & center overload protection

Annunciators:

Six: zero, gross/brutto, net, W1/W2/W3 multi-range

Display:

Large six-digit backlight LCD display with 1-inch (29 mm) Characters protected by heavy-duty tempered glass

Keys/Buttons:

Four: Units, tare, on/off, F1
Minimum key press life of 500,000 cycles

Material:

Display: A BS plastic housing
Scale base: Powder coat painted mild steel base plate and load bridge with stainless steel roller conveyor

Warranty:

Two-year limited

Approvals:

NTEP CC 17-002
Canada Weights and Measures: AM - 6050
CE Marked

BenchMark® MSC-10

Mobile Scale Cart

BENCH SCALES



Standard Features

- Two swivel, locking casters and two rigid casters
- Adjustable height with telescoping tube designed legs
- 18-inch indicator stand for mounting CW-90/90X, 480/480 Plus, 482/482 Plus, 680 Synergy, 380 Synergy

Specifications

Capacity:
1,000 lb (500 kg) maximum

Warranty:
One-year limited

Part Number/Price

Part #	Description	Cart Dimensions (L × W × H)	Est. Weight	Price
Mild Steel				
190201	Designed for 12 × 18 in Benchmark MS scale	25 × 14 × 41.89-51.89 in (22.78 to 32.78 in*)	70 lb	\$1,275.00
190202	Designed for 18 × 18 in Benchmark MS scale	25 × 20 × 41.89-51.89 in (22.78 to 32.78 in*)	83 lb	\$1,305.00
190203	Designed for 18 × 24 in Benchmark MS scale	31 × 20 × 41.89-51.89 in (22.78 to 32.78 in*)	93 lb	\$1,335.00
190204	Designed for 24 × 24 in Benchmark MS scale	31 × 26 × 41.89-51.89 in (22.78 to 32.78 in*)	101 lb	\$1,365.00
Stainless Steel				
190205	Designed for 12 × 18 in Benchmark SS and Benchmark HE scale	25 × 14 × 41.89-51.89 in (22.78 to 32.78 in*)	70 lb	\$1,595.00
190206	Designed for 18 × 18 in Benchmark SS and Benchmark HE scale	25 × 20 × 41.89-51.89 in (22.78 to 32.78 in*)	83 lb	\$1,640.00
190207	Designed for 18 × 24 in Benchmark SS and Benchmark HE scale	31 × 20 × 41.89-51.89 in (22.78 to 32.78 in*)	93 lb	\$1,685.00
190209	Designed for 24 × 24 in Benchmark SS and Benchmark HE scale	31 × 26 × 41.89-51.89 in (22.78 to 32.78 in*)	101 lb	\$1,730.00

*Height of cart without indicator stand

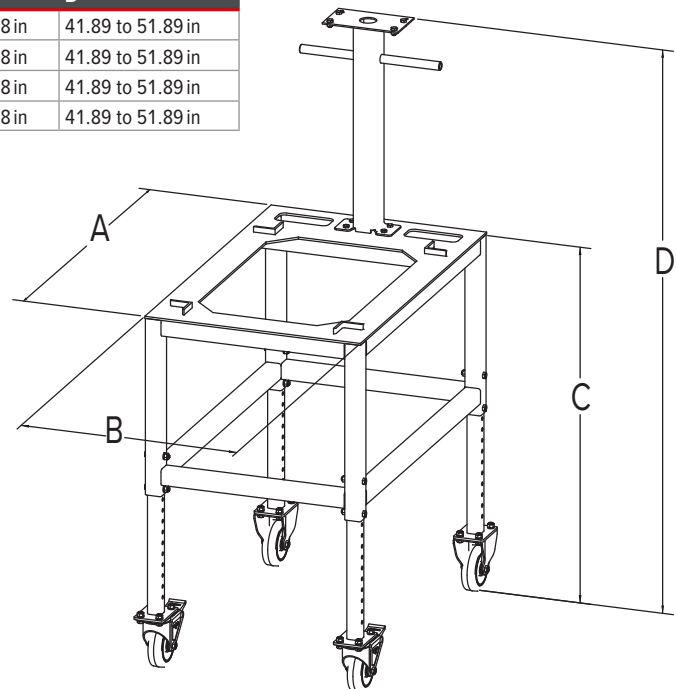
Wheels on standard carts are not conductive. If the end user plans to use the cart with an IS indicator, they will need a custom cart quoted with conductive wheels.

Cart not compatible with HE-X. See MSC-40.

Dimensions

	A	B	C	D
Designed for 12 × 18 in scale	25.00 in	14.00 in	22.78 to 32.78 in	41.89 to 51.89 in
Designed for 18 × 18 in scale	25.00 in	20.00 in	22.78 to 32.78 in	41.89 to 51.89 in
Designed for 18 × 24 in scale	31.00 in	20.00 in	22.78 to 32.78 in	41.89 to 51.89 in
Designed for 24 × 24 in scale	31.00 in	26.00 in	22.78 to 32.78 in	41.89 to 51.89 in

Note: 1 in = 25.4 mm



BenchMark® MSC-20

Mobile Scale Cart

BENCH SCALES



Standard Features

- Two swivel, locking casters and two rigid casters
- Designed to easily transport counting scale and secondary scale

Specifications

Capacity:

Lower base frame: 1,000 lb (500 kg) maximum
Upper base frame: 50 lb (25 kg) maximum

Warranty:

One-year limited

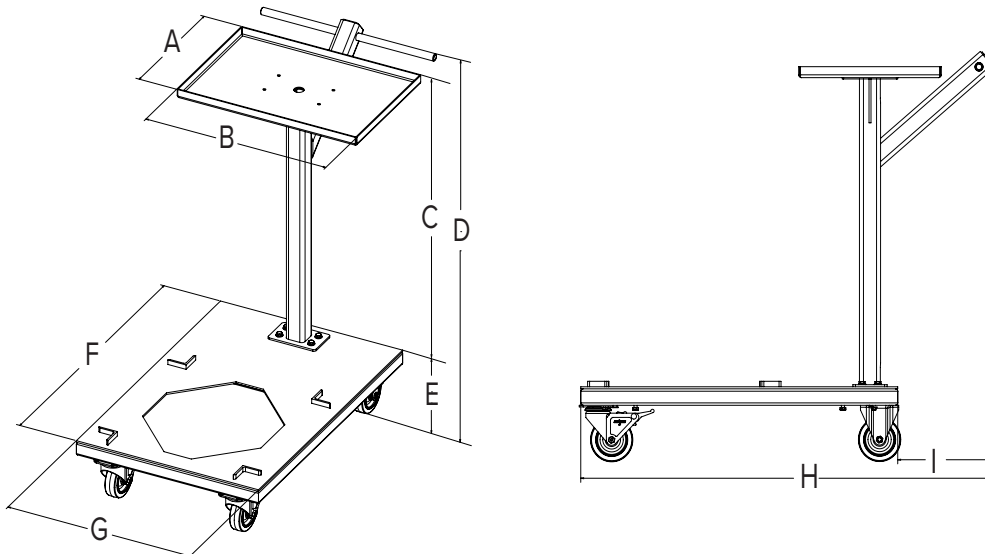
Part Number/Price

Part #	Description	Est. Weight	Price
Mild Steel			
197502	Designed for 12 × 18 in Benchmark MS scale	85 lb	\$1,360.00
197503	Designed for 18 × 18 in Benchmark MS scale	85 lb	\$1,380.00
197504	Designed for 18 × 24 in Benchmark MS scale	88 lb	\$1,405.00
197505	Designed for 24 × 24 in Benchmark MS scale	96 lb	\$1,425.00
Stainless Steel			
197506	Designed for 12 × 18 in Benchmark SS and Benchmark HE scale	90 lb	\$1,930.00
197507	Designed for 18 × 18 in Benchmark SS and Benchmark HE scale	90 lb	\$1,950.00
197508	Designed for 18 × 24 in Benchmark SS and Benchmark HE scale	93 lb	\$1,970.00
197509	Designed for 24 × 24 in Benchmark SS and Benchmark HE scale	101 lb	\$2,000.00

Dimensions

	A	B	C	D	E	F	G	H	I
Designed for 12 × 18 in scale	19.50 in	13.25 in	29.18 in	36.00 in	6.81 in	30.00 in	20.00 in	39.00 in	9.00 in
Designed for 18 × 18 in scale	19.50 in	13.25 in	29.18 in	36.00 in	6.81 in	30.00 in	20.00 in	39.00 in	9.00 in
Designed for 18 × 24 in scale	19.50 in	13.25 in	29.18 in	36.00 in	6.81 in	35.00 in	20.00 in	44.00 in	9.00 in
Designed for 24 × 24 in scale	19.50 in	13.25 in	29.18 in	36.00 in	6.81 in	35.00 in	26.00 in	44.00 in	9.00 in

Note: 1 in = 25.4 mm



BenchMark® MSC-30

Mobile Scale Cart

BENCH SCALES



Standard Features

- Two swivel, locking casters and two rigid casters
- Indicator stand for mounting CW-90/90X, 480/480Plus, 482/482Plus, 680 Synergy, 380 Synergy

Specifications

Capacity:
1,000 lb (500 kg) maximum

Warranty:
One-year limited

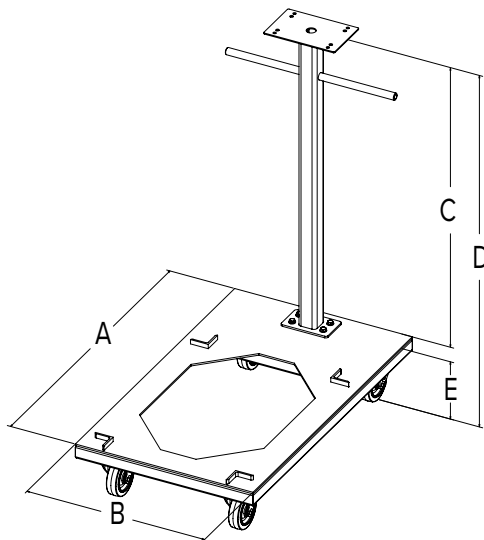
Part Number/Price

Part #	Description	Est. Weight	Price
Mild Steel			
197510	Designed for 12 × 18 Benchmark MS scale	67 lb	\$1,360.00
197511	Designed for 18 × 18 Benchmark MS scale	67 lb	\$1,380.00
197512	Designed for 18 × 24 Benchmark MS scale	70 lb	\$1,405.00
197513	Designed for 24 × 24 Benchmark MS scale	78 lb	\$1,425.00
Stainless Steel			
197514	Designed for 12 × 18 Benchmark SS and Benchmark HE scale	72 lb	\$1,930.00
197515	Designed for 18 × 18 Benchmark SS and Benchmark HE scale	72 lb	\$1,950.00
197516	Designed for 18 × 24 Benchmark SS and Benchmark HE scale	75 lb	\$1,970.00
197517	Designed for 24 × 24 Benchmark SS and Benchmark HE scale	83 lb	\$2,000.00

Dimensions

	A	B	C	D	E
Designed for 12 × 18 scale	30.00 in	20.00 in	34.25 in	41.00 in	6.81 in
Designed for 18 × 18 scale	30.00 in	20.00 in	34.25 in	41.00 in	6.81 in
Designed for 18 × 24 scale	35.00 in	20.00 in	34.25 in	41.00 in	6.81 in
Designed for 24 × 24 scale	35.00 in	26.00 in	34.25 in	41.00 in	6.81 in

Note: 1 in = 25.4 mm



BenchMark[®] MSC-40

Mobile Scale Cart

BENCH SCALES



Standard Features

- Two swivel, locking casters and two rigid casters
- Rugged washdown design meets Sanitary Design Principles

Specifications

Capacity:
1,000 lb (500 kg) maximum

Warranty:
One-year limited

Part Number/Price

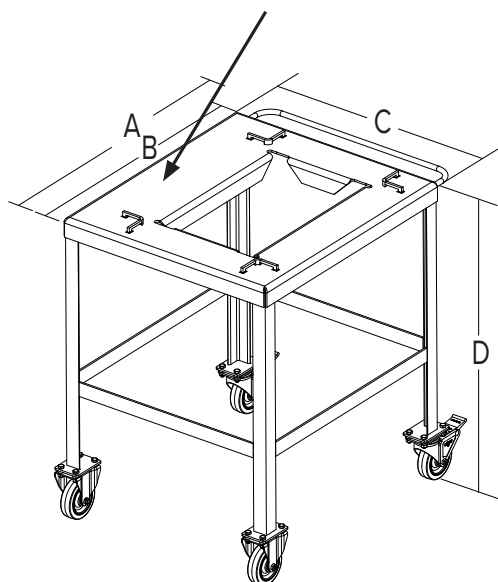
Part #	Description	Est. Weight	Price
Stainless Steel			
197518	Designed for 12 × 18 in Benchmark HE-X scale	62 lb	\$1,795.00
197519	Designed for 18 × 18 in Benchmark HE-X scale	62 lb	\$1,895.00
197520	Designed for 18 × 24 in Benchmark HE-X scale	69 lb	\$1,995.00
197521	Designed for 24 × 24 in Benchmark HE-X scale	79 lb	\$2,095.00

Dimensions

	A	B	C	D
Designed for 12 × 18 in scale	24.75 in	21.00 in	17.88 in	32.00 in
Designed for 18 × 18 in scale	24.75 in	21.00 in	24.00 in	32.00 in
Designed for 18 × 24 in scale	30.75 in	27.00 in	24.00 in	32.00 in
Designed for 24 × 24 in scale	30.75 in	27.00 in	30.00 in	32.00 in

Note: 1 in = 25.4 mm

Note: This side of cart is larger to accommodate BenchMark HE-X with indicator column



Bench Scale Ball Transfer and Roller Conveyor

1. Rice Lake Weighing Systems model number or part number of bench scale _____
2. Dimensions of scale: _____ in L × _____ in W
3. Capacity of scale: _____ lb
4. Dimensions of the smallest box/container to be used with the scale: _____ in L × _____ in W

Ball Transfer

5. Construction of ball transfer
 - Steel ball, steel housing zinc finish
 - Stainless steel ball, steel housing zinc finish
 - Stainless steel ball, stainless steel housing
6. Center-to-center ball dimension, if known:



Ball Transfer with Shroud

5. Construction of ball transfer
 - Steel ball, steel housing zinc finish
 - Stainless steel ball, stainless steel housing
6. Center-to-center ball dimension, if known:



Roller Conveyor

8. Roller diameter, if known:
9. Center-to-center dimension, if known:
10. Construction of rollers
 - Plain steel
 - Galvanized steel
 - Aluminum
 - Stainless steel
7. Direction of roller conveyor, if platform is rectangular shaped (i.e., 18 × 24 in scale, please tell us if the rollers should be 18 in or 24 in long)



Bench Scale Columns

Part Number/Price

Part #	Description	Price
112044	12 in column for IQ plus® 210, CW-90, CW-90X, 480/482 Legend Series, 380 Synergy Series, 680 Synergy Series	\$145.00
112045	18 in column for IQ plus® 210, CW-90, CW-90X, 480/482 Legend Series, 380 Synergy Series, 680 Synergy Series	\$195.00
196363	12 in column for 882IS/882IS Plus with battery	\$225.00
196364	18 in column for 882IS/882IS Plus with battery	\$275.00
197482	12 in column for 882IS/882IS Plus with power supply (Note: Power supply does not mount to column)	\$165.00
197484	18 in column for 882IS/882IS Plus with power supply (Note: Power supply does not mount to column)	\$215.00
64576	Attachment bracket for IQ plus® 210, CW-90, CW-90X, 480/482 Legend Series, 380 Synergy Series, 680 Synergy Series	\$100.00
216970	12 in column for 381 Synergy Indicator	\$145.00
216971	18 in column for 381 Synergy Indicator	\$195.00

Available for the BenchMark SL, BenchMark SL/HE, BenchMark Mild Steel, BenchMark Stainless Steel, BenchMark HE, BenchMark HE-X, CW-80B, CW-90B and CW90-XB



CW-90B with 480 indicator and 12in column



Base with 882IS/882IS Plus indicator with battery and 12in column



Attachment bracket with IQ Plus 2100



Base with 381 Synergy indicator and 12in column