



CHAIR SCALES
DIGITAL AND MECHANICAL

17-INCH-WIDE
SEAT

550-10-1

DIGITAL CHAIR SCALE

The Rice Lake 550-10-1 digital chair scale is designed for patients who find it difficult to, or cannot, stand. The molded plastic seat is easy to clean, comfortable and safe up to 660 pounds. Swing-up arms enable easy access from either side, and a flip-up footrest can be used for additional patient comfort. A large push-button display lights up for easy viewing and an audible beep sounds at the end of each weigh cycle.

FEATURES

- Enameled tubular steel frame
- Four heavy-duty locking caster wheels
- Swing-up arms
- Flip-up footrest
- Large 1-inch LCD display
- Unit of measure toggle or locking
- Motiontrap™ movement compensation technology
- EMR capable
- Serial and USB data communication ports
- Bluetooth® BLE 4.0 available, part number selectable
- Tare function
- Hold function
- BMI (body mass index) function
- Factory calibrated

SPECIFICATIONS

Capacity:

660 × 0.2 lb (300 × 0.1 kg)

Power:

9 VDC provided by six AA alkaline batteries (included) or 120 V/230 VAC adapter (optional)

Battery Type:

Six AA alkaline (included)

Battery Use:

25 hours continuous use with batteries
Automatic power-off can be configured

Display:

5-digit LCD display, 0.75 in (1.9 cm) digit height

Operating Temperature:

50 °F to 104 °F (10 °C to 40 °C)

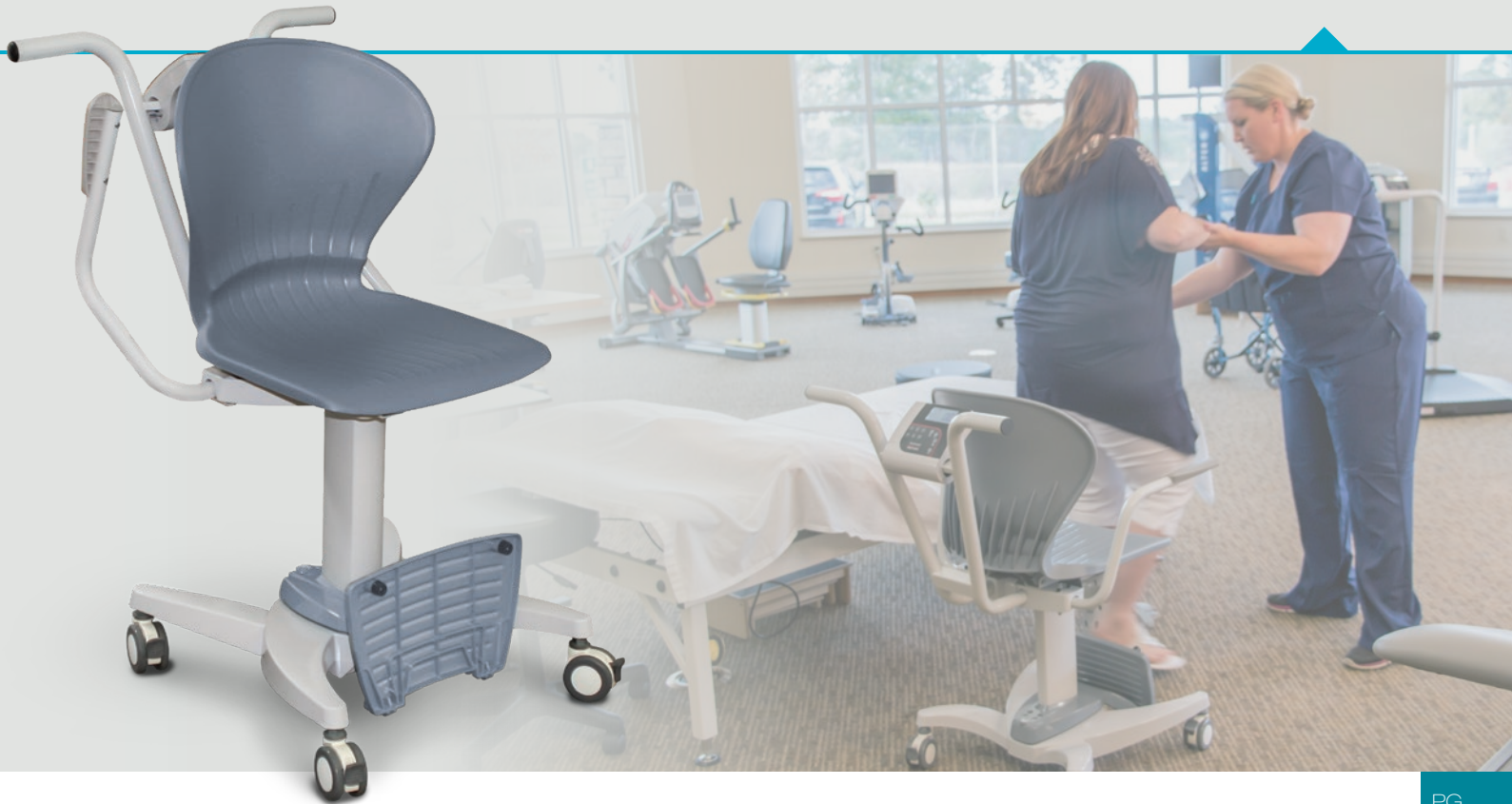
Approvals:

c-Met, E113986

Warranty:

Two-year limited





DIGITAL CHAIR SCALE

MODEL	CAPACITY	COMMUNICATION	PART #
550-10-1	660 × 0.2lb (300 × 0.1 kg)	USB	119114
550-10-1BLE	660 × 0.2lb (300 × 0.1 kg)	Bluetooth® BLE 4.0	194740

OPTIONS

DESCRIPTION	PART #
9 VDC adapter, 120 V/230 V auto switching c-MET* <i>Medical grade power supply</i>	115655
9 VDC adapter, 120 V/230 V auto switching*	133077
9 VDC adapter, 230 V**	102508
Epson TM-U220 tape printer	81076
Cable, RS232 scale to printer, 6 ft, 25-pin D-Sub (male) to RJ45	186830
Cable, USB 6 ft USB-A (male) to USB-B (male)	79074
Cable, Communication DB9 (female) to RJ45 (male), 4 conductor	217091

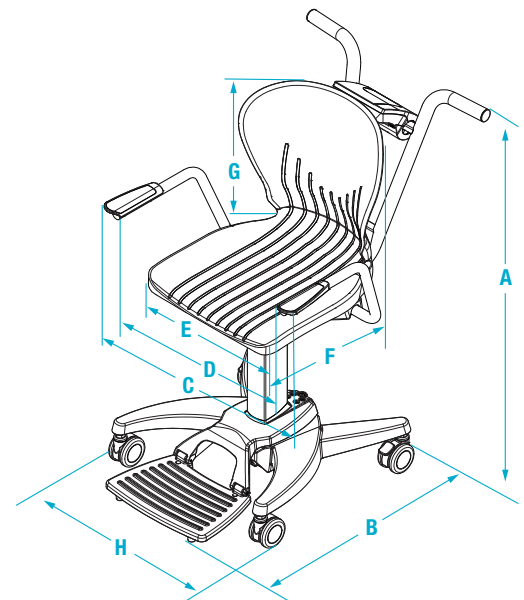
*NEMA 1-15 Plug  **CEE 7/16 Plug 

SHIPPING WEIGHT

MODEL #	PART #	L (IN)	W (IN)	H (IN)	PACKAGE WGT. (LB)	DIM WGT. (LB)	SHIPPING WGT. (LB)
550-10-1	119114	29	27	29	54	164	164
550-10-1BLE	194740	29	27	29	54	164	164

DIMENSIONS

	INCHES	CENTIMETERS		INCHES	CENTIMETERS
A	37.4	95.0	E	17.0	43.2
B	33.4	85.0	F	16.0	40.6
C	25.2	64.0	G	17.0	43.2
D	21.0	53.3	H	20.5	52.0



An ISO 9001 Registered Company ©2024 Rice Lake Weighing Systems 03/24
Specifications subject to change without notice. Visit ricelake.com



20-INCH-WIDE
SEAT

560-10-1

DIGITAL CHAIR SCALE

The Rice Lake 560-10-1 digital chair scale is designed for patients who find it difficult to, or cannot, stand. Two armrests and two footrests can be lifted separately for convenient patient access. The 20-inch-wide molded plastic seat is easy to clean, comfortable and safe up to 660 pounds. A large push-button display lights up for easy viewing and an audible beep sounds at the end of each weigh cycle.

FEATURES

- Enameled tubular steel frame
- Four heavy-duty caster wheels (rear wheels locking)
- Swing-up arms
- Side-folding footrests
- Molded seat
- Large 1-inch LCD display
- Unit of measure toggle or locking
- Motiontrap™ movement compensation technology
- EMR capable
- Tare function
- Hold function
- BMI (body mass index) function
- Factory calibrated

SPECIFICATIONS

Capacity:

660 × 0.2 lb (300 × 0.1 kg)

Display:

5-digit LCD display, 0.75 in (1.9 cm) digit height

Power:

9 VDC provided by six AA alkaline batteries (included) or 120 V/230 VAC adapter (optional)

Battery Type:

Six AA alkaline (included)

Battery Use:

25 hours continuous use with batteries
Automatic power-off can be configured

Warranty:

Two-year limited





DIGITAL CHAIR SCALE

MODEL	CAPACITY	COMMUNICATION	PART #
560-10-1	660 × 0.2lb (300 × 0.1 kg)	USB	166644

OPTIONS

DESCRIPTION	PART #
9 VDC adapter, 120 V/230 V auto switching*	133077
9 VDC adapter, 230 V**	102508
Epson TM-U220 tape printer	81076
Cable, RS232 scale to printer, 6 ft, 25-pin D-Sub (male) to RJ45	186830
Cable, USB 6 ft USB-A (male) to USB-B (male)	79074
Cable, Communication DB9 (female) to RJ45 (male), 4 conductor	217091

*NEMA 1-15 Plug



**CEE 7/16 Plug

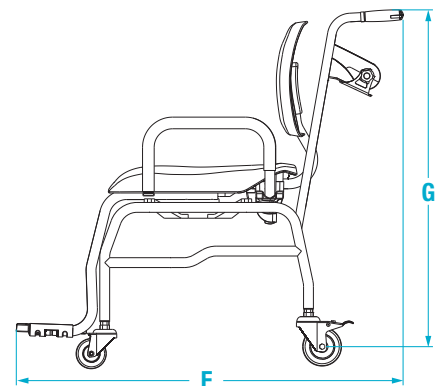
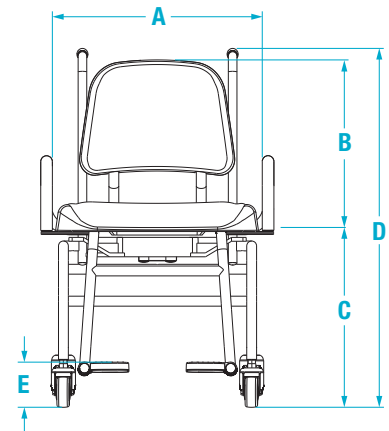


SHIPPING WEIGHT

MODEL #	PART #	L (IN)	W (IN)	H (IN)	PACKAGE WGT. (LB)	DIM WGT. (LB)	SHIPPING WGT. (LB)
560-10-1	166644	33	23	27	65	148	148

DIMENSIONS

	INCHES	CENTIMETERS		INCHES	CENTIMETERS
A	20.1	51.1	E	5.9	15.0
B	17.3	44.0	F	42.9	109.0
C	20.1	51.1	G	34.6	88.0
D	36.4	92.5			



16-INCH-WIDE
SEAT

RL-MCS MECHANICAL CHAIR SCALE

The Rice Lake mechanical chair scale is designed for weighing those who find it difficult or unsafe to stand on a conventional scale. The smooth, durable, molded plastic seat is comfortable, and the swing-up arms lift for easy patient transport. The sturdy enameled steel frame has four heavy-duty wheels for easy, quiet maneuvering. Clinics, nursing homes and rehabilitation centers will find the sleek professional design easy to clean.

FEATURES

- Swing-up arms for easy access and exit
- Polypropylene seat with ABS armrests
- Fold-up footrest
- Heavy-duty wheels; two back wheels lock, two front wheels swivel
- Sturdy enameled, steel frame
- Dual read die-cast beam

SPECIFICATIONS

Capacity:

Lb only beam 450 lb × 4 oz
Kg only beam 200 kg × 100 g

Warranty:

Two-year limited





MECHANICAL CHAIR SCALE

MODEL	CAPACITY	PART #
RL-MCS-LB	450lb x 4oz	172098
RL-MCS-KG	200kg x 100g	172099

SHIPPING WEIGHT

MODEL #	PART #	L (IN)	W (IN)	H (IN)	PACKAGE WGT. (LB)	DIM WGT. (LB)	SHIPPING WGT. (LB)
RL-MCS-LB	172098	29	25	25	79	131	131
RL-MCS-KG	172099	29	25	25	79	131	131

DIMENSIONS

	INCHES	CENTIMETERS		INCHES	CENTIMETERS
A	21.5	54.6	D	16.0	40.6
B	14.2	36.1	E	35.7	90.7
C	14.8	37.6	F	38.4	97.5

