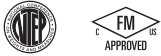




Picture is a representation of actual product

Approvals



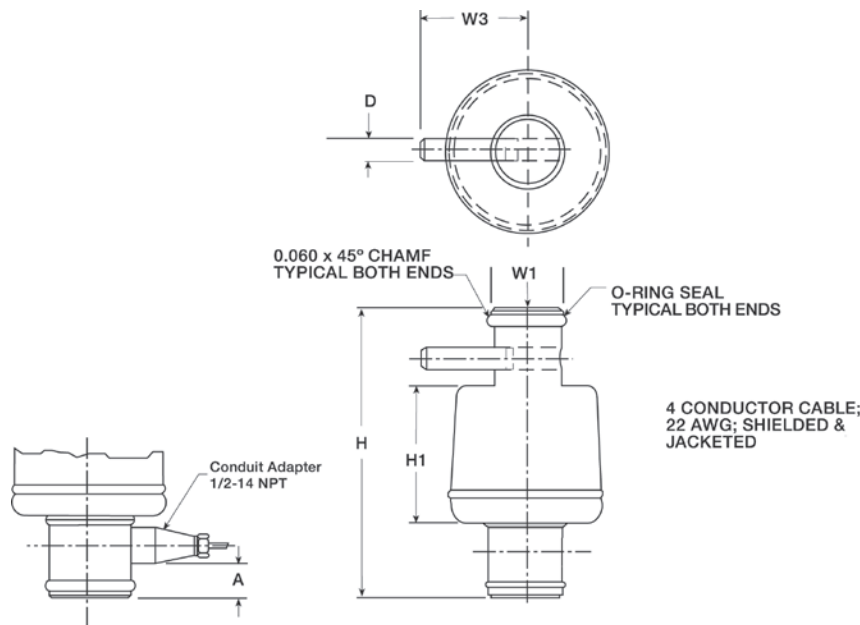
Order Information

Load Rating	Part #	Est. Weight	Price
50,000 lb	46497	5 lb	Consult
50,000 lb LE	47952	6 lb	Consult
Options			
Replacement anti-rotational pins	116181	1 lb	Consult
Replacement O-ring	92988	1 lb	Consult

LE=large envelope

Dimensions

Rated Capacity	A	D	H	H1	H2	W1	W2	W3
lb/in								
50,000	0.62	0.38	6.00	2.82	1.59	1.46	1.46	2.50
50,000 LE	0.62	0.38	7.56	2.82	1.59	1.46	1.46	2.50



Interchangeable Products

FAIRBANKS®
63951

Specifications

- Full Scale Output:**
2.0 mV/V nominal
- Output Resistance:**
1,000 (± 10 ohm)
- Input Resistance:**
1,000 ohm
- Material/Finish:**
Stainless steel
- Temperature:**
Compensated range
14 °F to 104 °F (-10 °C to 40 °C)
Operating range
0 °F to 150 °F (-18 °C to 65 °C)
- Seal Type:**
Hermetically sealed, IP68
- Safe Overload:**
150% full scale
- Rated Excitation:**
5 to 10 VDC (15 V maximum)
- Combined Error:**
0.03% full scale
- Insulation Resistance:**
1,000 megohm
- Cable Length:**
35 ft
- Cable Diameter:**
0.305 in
Polyurethane jacket
- Cable Color Code:**
Red +Excitation
Black -Excitation
Green +Signal
White -Signal
- Warranty:**
Two-year limited
- Approvals:**
cFMus
NTEP

4 CONDUCTOR CABLE;
22 AWG; SHIELDED &
JACKETED