

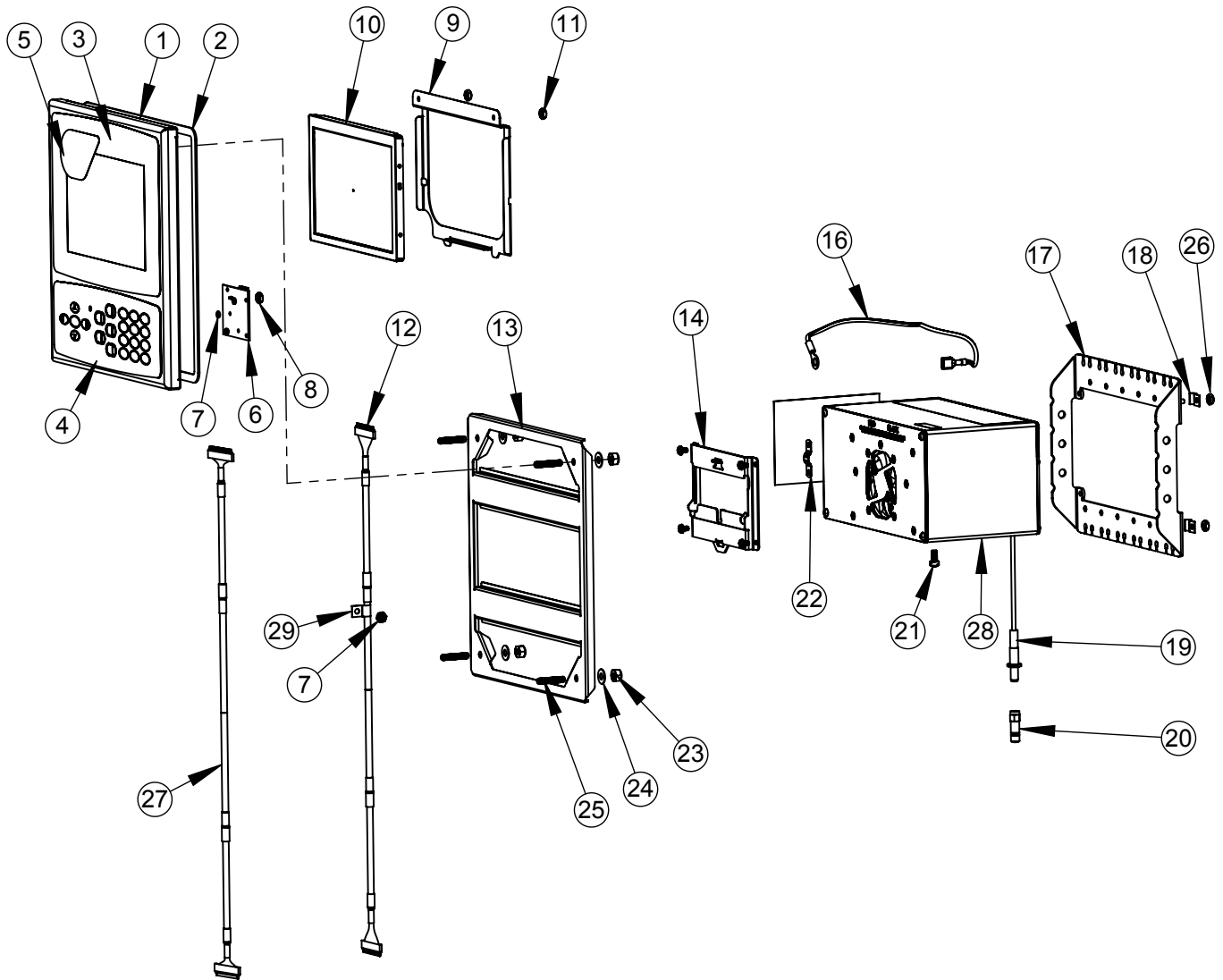
1280 Enterprise Panel Enclosure



Part Number/Price

| Part# | Description | Price |
|--------------------------------|------------------------------------------------------------|---------|
| Face Panel Assembly Kit | | |
| | 169930 1280 Face Panel Assembly without Display Kit | Consult |
| 1 | 169929 Face panel 1280 | Consult |
| 2 | 160379 Gasket, front panel | Consult |
| 3 | 164120 Overlay, touchscreen | Consult |
| 4 | 164121 Overlay, keypad | Consult |
| 5 | 172840 Decal, 1280 start screen | Consult |
| 6 | 160759 Board assembly, HMI-Int | Consult |
| 7 | 69898 Washer, nylon #4 ID = 0.112 | Consult |
| 8 | 159280 Nut, lock nylon insert | Consult |
| Panel Mount Display Kit | | |
| | 166725 Panel Mount 500 NIT Display Kit | Consult |
| | 166726 Panel Mount 1000 NIT Display Kit | Consult |
| 9 | 162272 Mounting bracket (500 NIT) | Consult |
| | 162271 Mounting bracket (1000 NIT) | Consult |
| 10 | 163400 Display, 7 in LCD (500 NIT) | Consult |
| | 163399 Display, 7 in LCD (1,000 NIT) | Consult |
| 11 | 58248 Nut, lock 6-32NC hex nylon | Consult |
| 12 | 164995 Cable, CPU to display (500 NIT) | Consult |
| | 164970 Cable, CPU to display (1000 NIT) | Consult |
| 13 | 177802 Backer bracket | Consult |
| 14 | 166838 Bracket assembly, DIN rail | Consult |
| Panel Mount Parts Kit | | |
| | 163786 Panel Mount Parts Kit | Consult |
| 16 | 202845 Wire, 9 in ground, 1/4 in eye | Consult |
| 17 | 169023 Ground bus bar | Consult |
| 18 | 53075 Clamp, ground cable shield | Consult |
| 19 | 166241 Cable, antenna extension | Consult |
| 20 | 168098 Antenna, RP-SMA | Consult |
| 21 | 14877 Screw, Fillister 10-32NF x 3/8 in | Consult |
| 22 | 168629 Ground strap, 1280 CPU | Consult |
| 23 | 14630 Nut, lock 10-32NF hex | Consult |
| 24 | 22062 Washer, plain No 10 type A | Consult |
| 25 | 168877 Screw, set #10-32 x 1 in | Consult |
| 26 | 14621 Nut, KEP 6-32NX hex | Consult |
| | 15130 Washer, lock no 6 type A | Consult |
| | 158207 Screw, mach 6-32 x 1/4 in Fillister | Consult |
| Additional Parts | | |
| 27 | 166694 Cable, CPU to HMI 1280 | Consult |
| 28 | 199157 Controller assembly see page 173 | Consult |
| 29 | 67550 Clamp, ground cable shield | Consult |
| | 14839 Screw, mach 6-32NC x 1/4 in | Consult |

1280 Enterprise Panel Enclosure



Indicators/Controllers