

# MSI-7001HD

2 CH 85-265 VAC



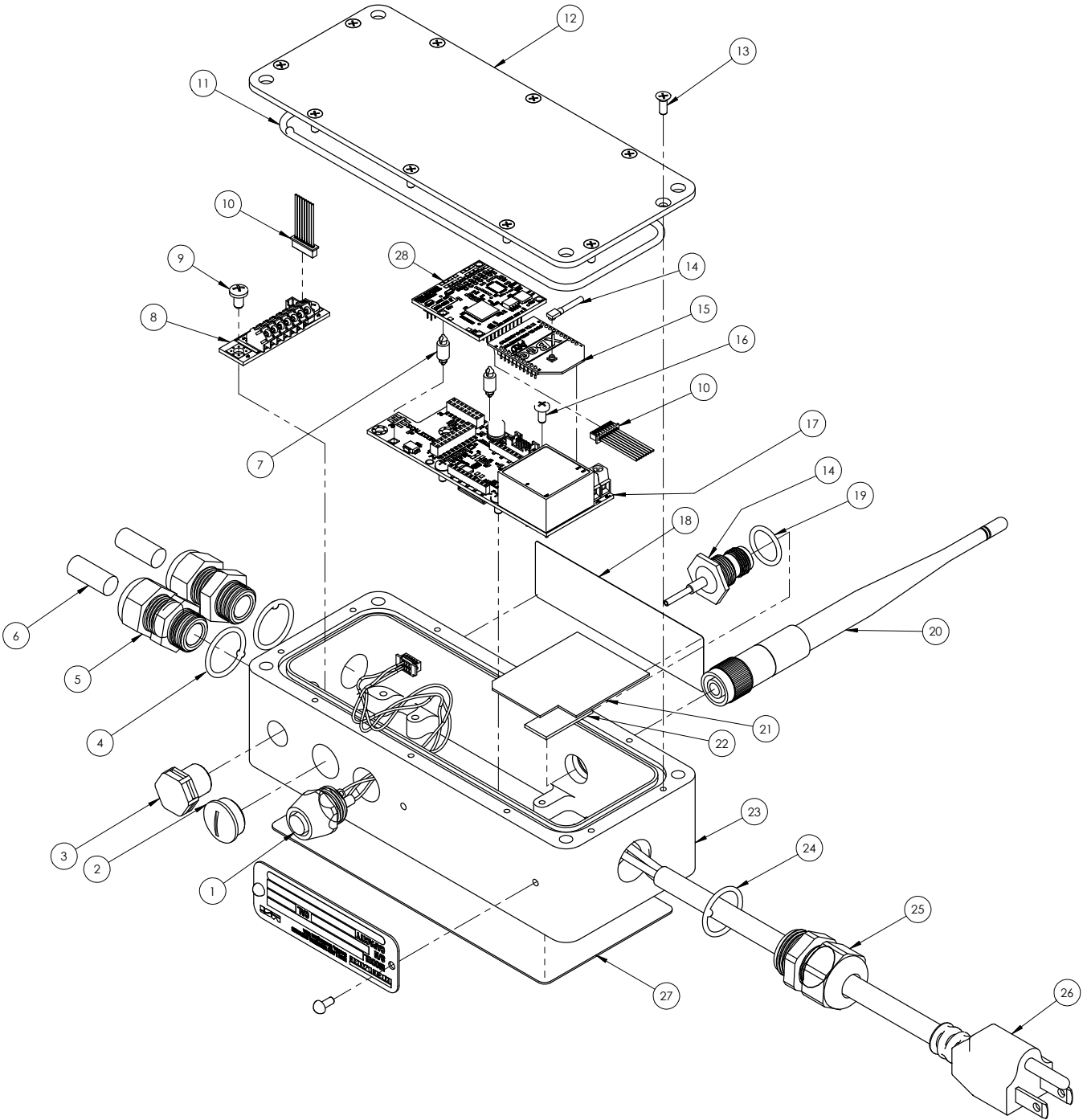
## Part Number/Price

Item #	Part #	Description	Price
1	178557	Cable assembly serial comm	Consult
2	143746	Plug domed PG9 IP65	Consult
3	88733	Vent, breather sealed	Consult
4	177363	O-ring, PG9, Buna-N, 8004	Consult
5	141593	Conn feed through liquid	Consult
6	142554	Pin round acetal 0.312 diameter	Consult
7	144929	Spacer miniature dual	Consult
8	179595	PCA 7001HD LC term blk	Consult
9	146601	Screw pan head 6-32 x 1/4 Phillips	Consult
10	182635	Cable assembly int load cell	Consult
11	181832	O-ring	Consult
12	179213	Enclosure cover	Consult
13	146553	Screw flat head 4-40 x 5/16 Phillips	Consult
14	152051	Cable assembly RF coax	Consult
15	144773	Radio module Xbee-pro	Consult
16	128088	Screw 4-40 x 1/4 pan head Phillips	Consult
17	176036	PCA 7001A, AC power supply	Consult
18	159855	Overlay TranSend FCC	Consult
19	153793	O-ring 1/2 ID x .070	Consult
20	143283	Antenna 2.4 GHz	Consult
21	181880	Insulator AC	Consult
22	148591	Adhesive pad	Consult
23	178490	Enclosure	Consult
24	146251	O-ring 70 durometer	Consult
25	142885	Conn feed through liquid	Consult
26	179558	Power cord AC in	Consult
27	179390	Overlay	Consult
28	153430	PCA ScaleCore3 2-channel	Consult

REPLACEMENT PARTS

# MSI-7001HD

2 CH 85-265 VAC



REPLACEMENT PARTS