

MSI-6360

Front Casting Assembly



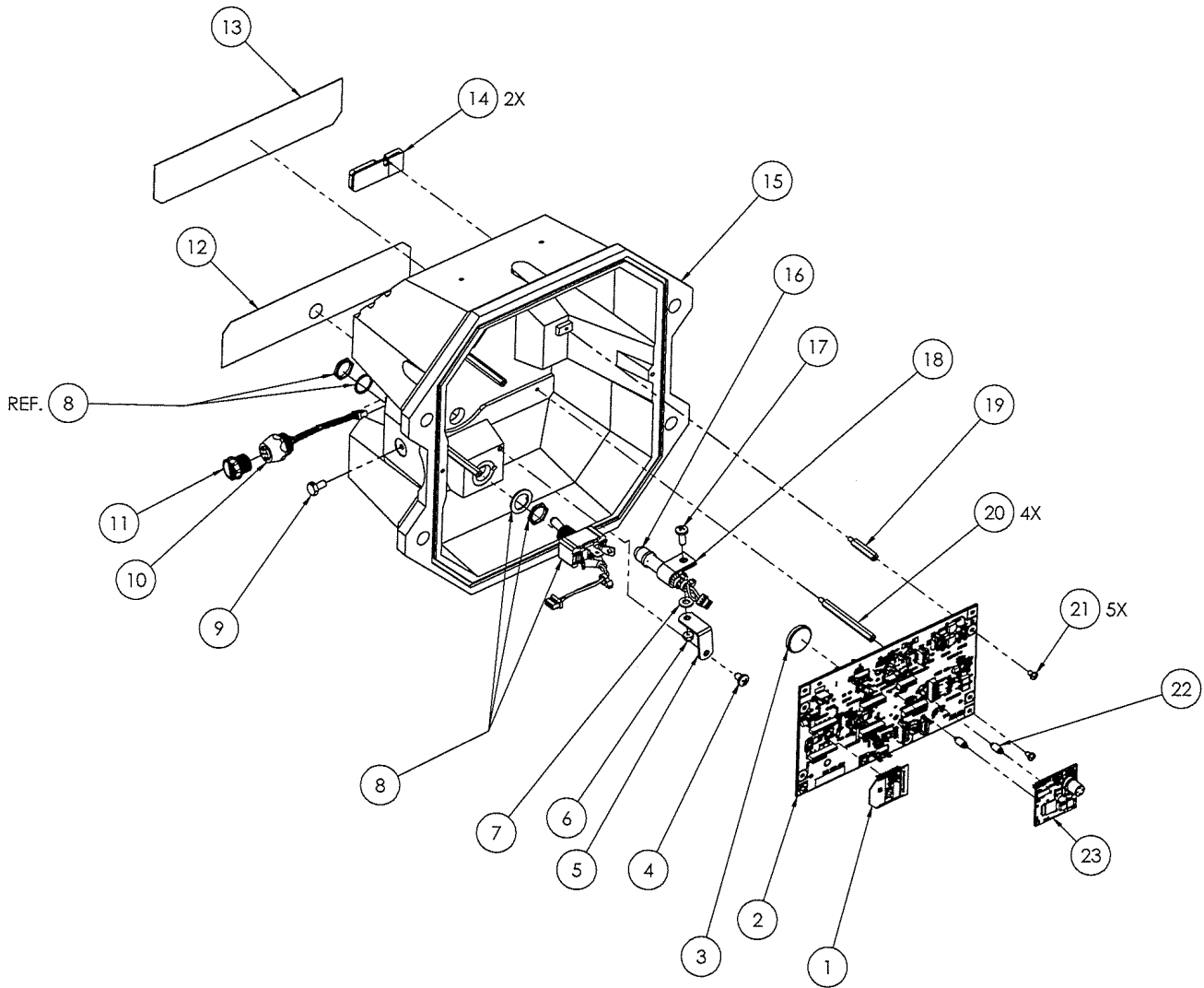
Part Number/Price

Item #	Part #	Description	Price
1	144773	Radio module Xbee-pro	Consult
2	212607	PCA 6360 no display	Consult
3	71408	Battery, lithium CR2032	Consult
4	146606	Screw pan head 8-32 x 1/4 stainless steel	Consult
5	215863	Bracket angle steel #8	Consult
6	146629	Nut, hex 8-32 nyloc stainless steel	Consult
7	146531	Washer flat #8 stainless steel	Consult
8	215842	Cable assembly, toggle switch	Consult
9	142591	Screw seal dr hh 8-32	Consult
10	139449	Cable assembly, comm serial	Consult
11	143352	Conn closure cap IP68	Consult
12	215973	LED/capacity label 6360	Consult
13	215948	Label descriptive 6360	Consult
14	201823	Antenna assembly 2.4GHz patch	Consult
15	215840	Front casting machined	Consult
16	215912	Cable assembly, red/green LED	Consult
17	146608	Screw pan head 8-32 x 7/16 Phillips	Consult
18	143075	Cable clamp .375 diameter	Consult
19	215938	Standoff 3/16 hex x 0.875	Consult
20	215935	Standoff 3/16 hex x 2.00	Consult
21	146593	Screw pan head 4-40 x 3/16 Phillips	Consult
22	144929	Spacer miniature dual	Consult
23	153429	PCS ScaleCore3 1-channel	Consult

REPLACEMENT PARTS

MSI-6360

Front Casting Assembly



REPLACEMENT PARTS

MSI-6360

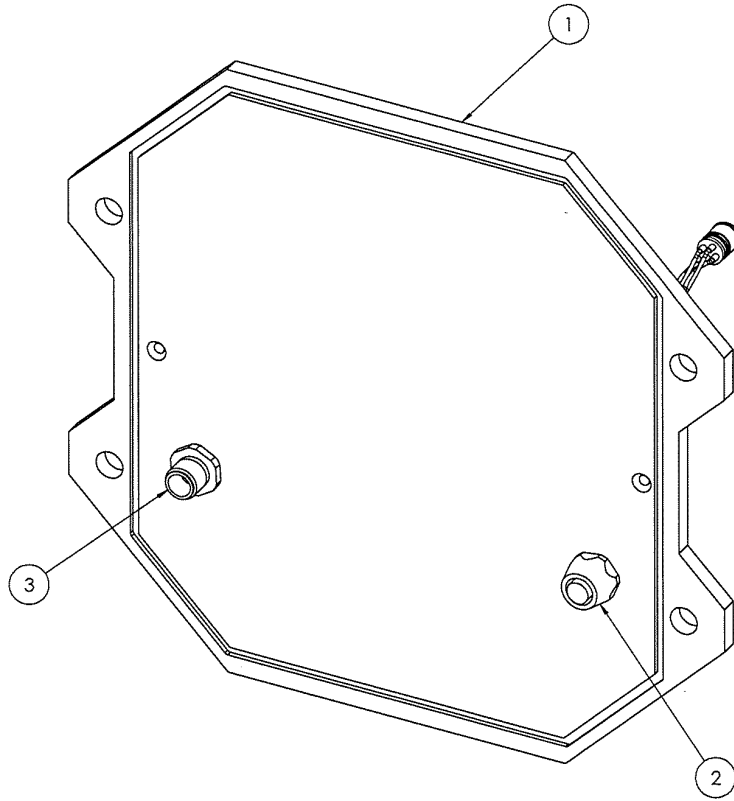
Bulkhead Assembly



Part Number/Price

Item #	Part #	Description	Price
1	215839	Front bulkhead	Consult
2	139471	Cable assembly, bulkhead load	Consult
3	139472	Cable assembly, bulkhead	Consult

REPLACEMENT PARTS



REPLACEMENT PARTS

MSI-6360

Midsection Assembly (500 - 10,000 lb)



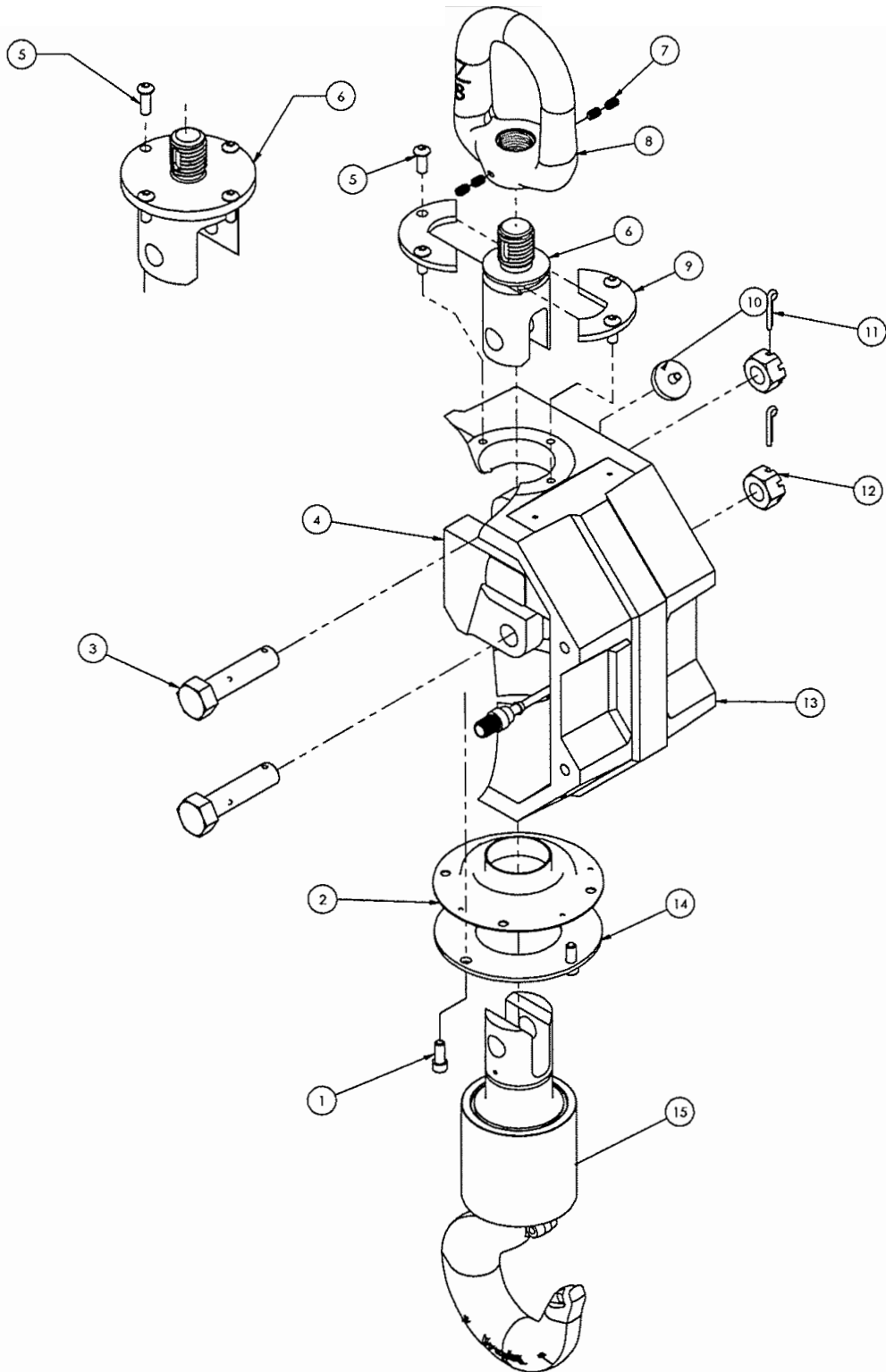
Part Number/Price

Item #	Part #	Description	Price
1	145990	Screw socket head 1/4-20 x 5/8 stainless steel	Consult
2	149710	Seal link lower (500 lb - 2K)	Consult
2	149165	Seal link lower (5 - 10K)	Consult
3	148457	Bolt clevis hex head 5/8 x 1.75 (500 lb - 2K)	Consult
3	149217	Bolt clevis hex head 5/8 x 1.75 (5 - 10K)	Consult
4	138661	Load cell assembly (500 lb)	Consult
4	138662	Load cell assembly (1 - 2K)	Consult
4	138663	Load cell assembly (5K)	Consult
4	138664	Load cell assembly (10K)	Consult
5	72031	Screw	Consult
6	148271	Upper link (500 lb - 2K)	Consult
6	149126	Upper link (5 - 10K)	Consult
7	128799	Screw, set 1/4-20 x 3/8	Consult
8	139795	Eye nut #7 (500 lb - 2K)	Consult
8	148225	Eye nut #7 (5 - 10K)	Consult
9	148274	Collar top half (500 lb - 2K)	Consult
10	146322	Filter millipore	Consult
11	15238	Cotter pin	Consult
12	142832	Nut hex slotted 5/8 - 11	Consult
13	150519	Casting (500 lb - 2K)	Consult
13	149175	Casting (5 - 10K)	Consult
14	148259	Collar (500 lb - 2K)	Consult
14	149168	Collar (5 - 10K)	Consult
15	135043	Swivel hook assembly (500 lb - 2K)	Consult
15	143236	Latch, safety (500 lb - 2K)	Consult
15	134523	Swivel hook assembly (5 - 10K)	Consult
15	143233	Latch, safety (5 - 10K)	Consult

REPLACEMENT PARTS

MSI-6360

Midsection Assembly (500 - 10,000 lb)



REPLACEMENT PARTS

MSI-6360

Midsection Assembly (20 & 30,000 lb)



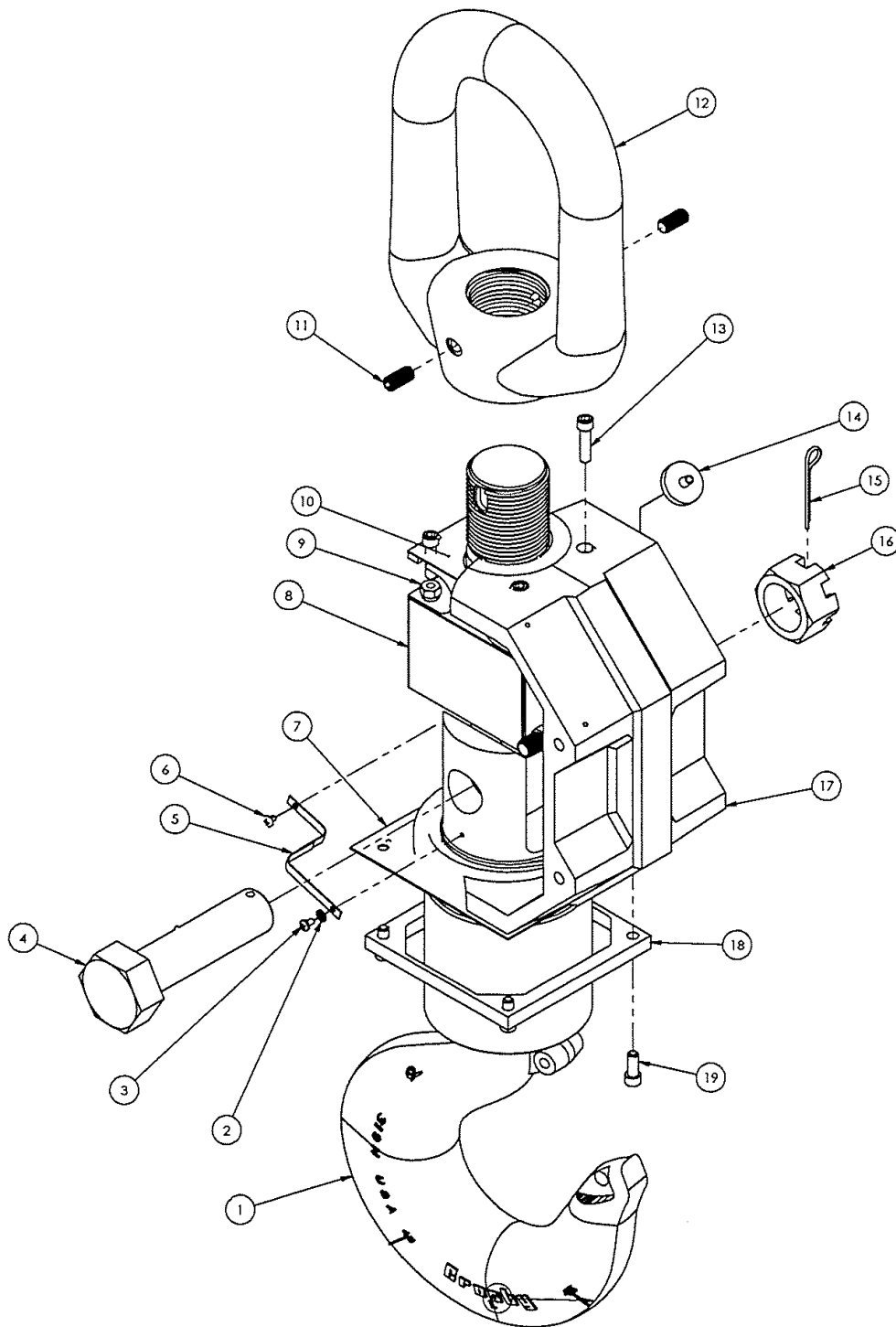
Part Number/Price

Item #	Part #	Description	Price
1	134938	Swivel hook assembly (20K)	Consult
1	134939	Swivel hook assembly (30K)	Consult
1	110661	Latch assembly (20K)	Consult
1	143235	Latch assembly (30K)	Consult
2	81280	Washer, lock no 6 type A	Consult
3	146601	Screw pan head 6-32 x 1/4 Phillips	Consult
4	148458	Bolt clevis hex head 1.125 - 7	Consult
5	139843	Ground strap cable	Consult
6	146101	Screw pan head 6-32 x 3/16 type	Consult
7	149957	Boot lower (20-70K)	Consult
8	137763	Load cell assembly (20/30K)	Consult
9	146631	Nut hex 1/4-20 nyloc stainless steel	Consult
10	149976	Gasket upper (20/30K)	Consult
11	146081	Screw set 3/8-24 x 3/4	Consult
12	148110	Eye nut (20/30K) galvanized	Consult
13	81405	Screw, socket head 1/4-20	Consult
14	146322	Filter millipore	Consult
15	142186	Cotter pin 3/16 x 2 stainless steel	Consult
16	142833	Nut hex slotted 1.125 - 7	Consult
17	150523	Mid-section machined	Consult
18	149958	Collar bottom (20 - 50K)	Consult
19	145990	Screw socket head 1/4-20 x 5/8 stainless steel	Consult

REPLACEMENT PARTS

MSI-6360

Midsection Assembly (20 & 30,000 lb)



REPLACEMENT PARTS

MSI-6360

Midsection Assembly (50 & 70,000 lb)



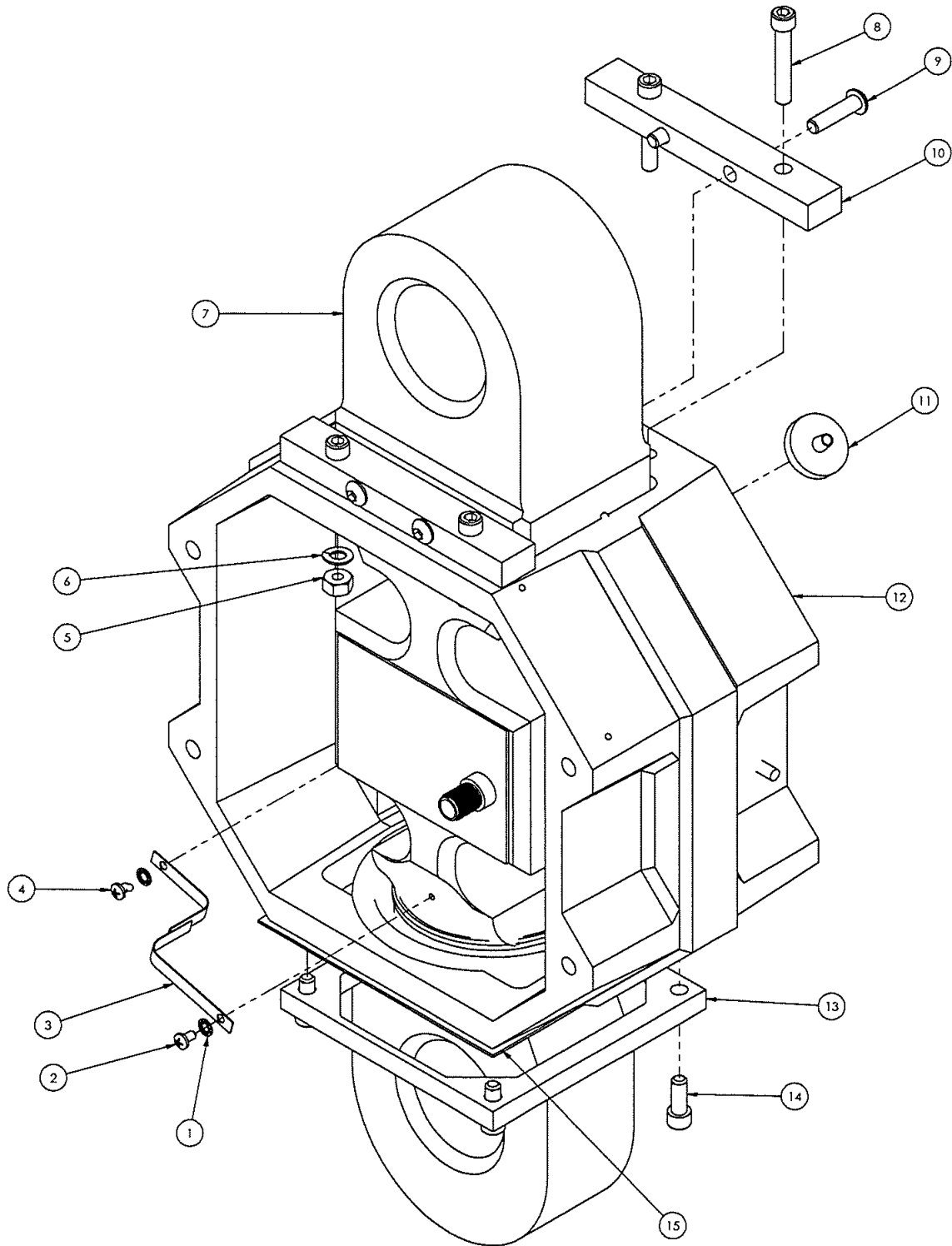
Part Number/Price

Item #	Part #	Description	Price
1	81280	Washer, lock no 6 type A	Consult
2	146601	Screw pan head 6-32 x 1/4 Phillips	Consult
3	139843	Ground strap cable	Consult
4	146101	Screw pan head 6-32 x 3/16 type	Consult
5	14642	Nut, 1/4-20NC hex stainless steel	Consult
6	15148	Washer, lock 1/4 regular	Consult
7	137764	Load cell assembly 50/70K	Consult
8	117599	Screw, cap 1/4-20NC x 1-1/2	Consult
9	145982	Screw button head 1/4-20 x 1 stainless steel	Consult
10	148213	Collar top 50/100K	Consult
11	146322	Filter millipore	Consult
12	150525	Mid-section machined	Consult
13	149958	Collar bottom 20-50K	Consult
14	145990	Screw slotted head 1/4-20 x 5/8 stainless steel	Consult
15	149957	Boot lower 20-70K	Consult
	135035	50K hook, swivel	Consult
	142179	50K latch	Consult
	135036	70K hook	Consult
	142180	70K latch	Consult
	151356	50K shackle 25 ton	Consult
	146335	70K shackle 40 ton	Consult

REPLACEMENT PARTS

MSI-6360

Midsection Assembly (50 & 70,000 lb)



REPLACEMENT PARTS

MSI-6360

Rear Battery Casting Assembly



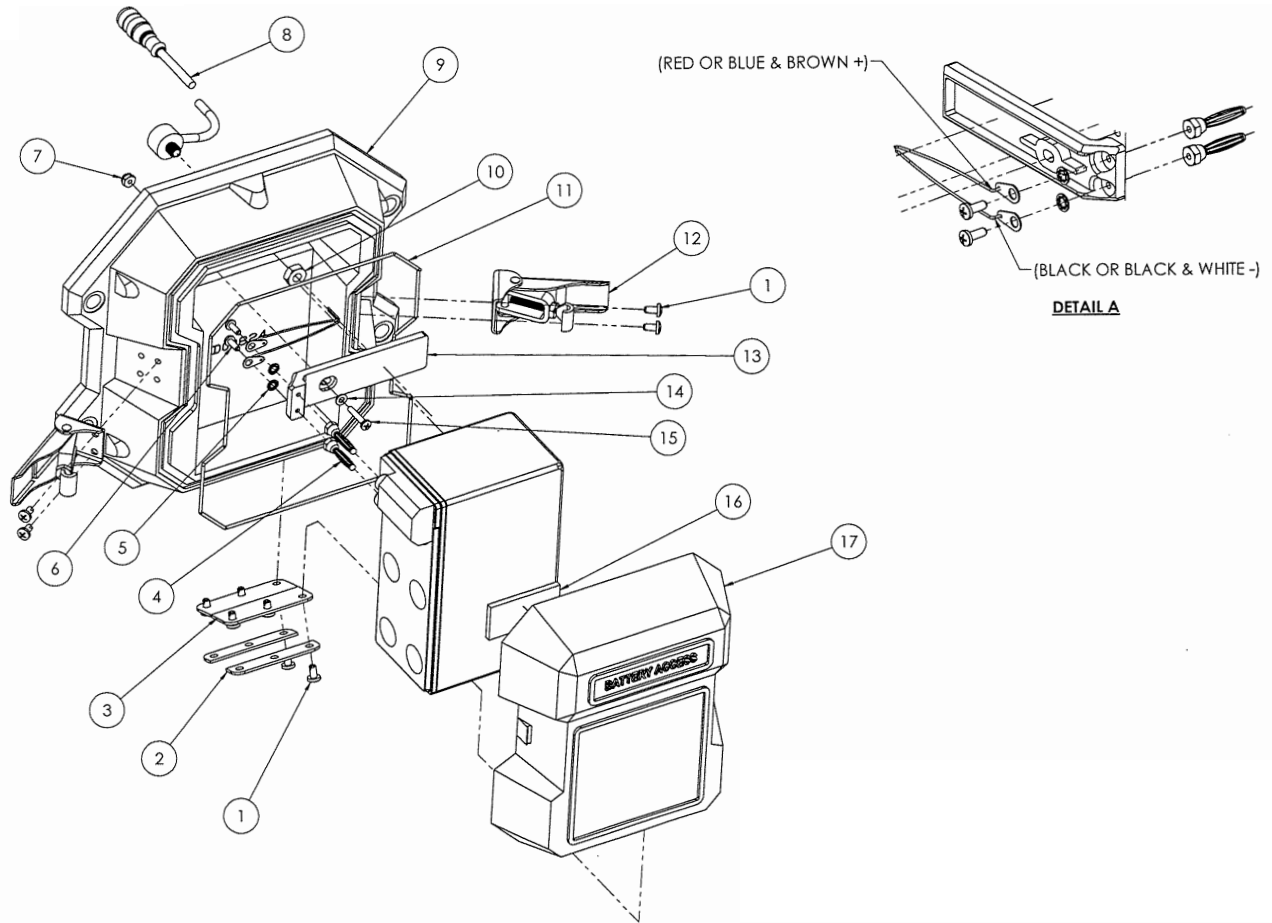
Part Number/Price

Item #	Part #	Description	Price
1	146108	Screw pan head 8-32 x 3/8 type	Consult
2	149718	Plate aluminum battery	Consult
3	149719	Fastener battery door	Consult
4	147825	Plug banana jack	Consult
5	81280	Washer, lock no 6 type A	Consult
6	146603	Screw pan head 6-32 x 3/8 Phillips	Consult
7	146627	Nut hex 6-32 nyloc stainless steel	Consult
8	133798	Cable assembly, power	Consult
9	150517	Battery well machined	Consult
10	146661	Nut hex 5/16-18 jam stainless steel	Consult
11	149723	O-ring assembly battery	Consult
12	145934	Latch camloc	Consult
13	150073	Conn block	Consult
14	55124	Washer, flat #6	Consult
15	127036	Screw, machine 6-32 x 3/4	Consult
16	146640	Pad poron 2.0 x 1.0	Consult
17	150516	Battery door machined	Consult

REPLACEMENT PARTS

MSI-6360

Rear Battery Casting Assembly



REPLACEMENT PARTS