

RL-HPJ

Hand Pallet Jack Scale



Standard Features

- Steering wheels and double loading polyurethane rollers
- Four stainless steel IP68 load cells
- Weight indicator in IP65 stainless steel water-resistant enclosure
- Configuration, calibration and diagnostics from keyboard
- Rechargeable battery mounted on the pallet jack
- Zero and tare functions
- Net/Gross and lb/kg conversion
- Accumulation
- Formulation
- +/- Checkweighing
- Percentage weighing
- Counting (Max. resolution of 1,500,000 divisions)
- Peak hold
- Includes a 115 VAC 50/60 Hz battery charger

Specifications

Battery Life:

80 hours of continuous use or one month of non-continuous use

Display:

1 in (25 mm) LCD display high contrast digits

Capacity:

Maximum lifting capacity 5,000 lb

Accuracy:

± 0.1% of the maximum capacity

Keys/Buttons:

17 functional keys

Operating Temperature:

14 °F to 104 °F (-10 °C to 40 °C)

Material:

Heavy-gauge steel with a durable powder coat finish

Fork Dimensions:

48.75 × 26.75 × 3.125 in
(1240 × 680 × 80 mm)

Weight:

Approx. 360 lb (163 kg)

Part Number/Price

Part #	Description	Est. Weight	Price
183592	Pallet jack scale RL-HPJ, 5,000 × 1 lb	360 lb	Consult
220672	Pallet jack scale, RL-HPJ, 5,000 × 1 lb, with printer	365 lb	Consult

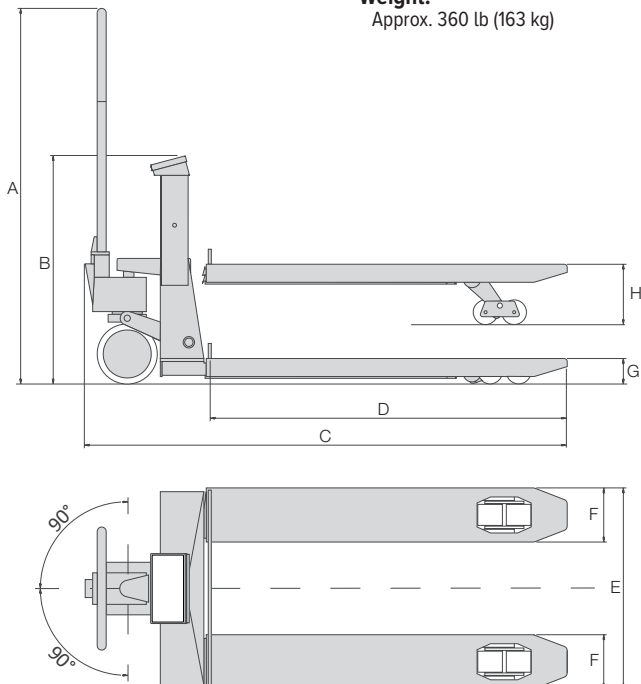
Options/Accessories

Part #	Description	Price
215143	Power supply, 7.2VDC, 3A SLA battery charger	Consult
215142	Battery, rechargeable	Consult
182053	Printer paper roll, 57 mm × 30 m, 12 mm core 51 mm OD	Consult

NOTE: See replacement parts page to detail correct part numbers for previous generations

Dimensions

RL-HPJ			
A	47.25 in (1,200 mm)	E	26.75 in (680 mm)
B	30.00 in (762 mm)	F	7.00 in (178 mm)
C	64.25 in (1,631 mm)	G	3.125 in (79 mm)
D	45.25 in (1,149 mm)	H	7.75 in (197 mm)



FORKLIFT /
PALLET JACK SCALES