

Rice Lake VS-37



Model Rice Lake VS-37

Customizable options available



Wall mounted indicator,
cable enclosed in
customer supplied conduit

Standard Features

- Package includes scale, pit frame, handrail and indicator
- Vacuum-formed, ribbed platform
- Push-button LCD display
- Motiontrap™ movement compensation technology
- Unit of measure toggle or locking
- Communication via USB
- Tare function
- Hold function
- Factory calibrated

Specifications

Capacity:

1,000 × 0.2 lb (450 × 0.1 kg)

Platform Dimensions:

(W × L × H) 36 × 36 × 3 in

Power:

9 VDC, provided by six AA alkaline batteries (included) or AC adapter (optional)

Battery Type:

Six AA alkaline (included)

Battery Use:

25 hours continuous use with batteries
Automatic power-off can be configured

Operating Temperature:

50 °F to 104 °F (14 °C to 40 °C)

Display:

5-digit LCD display, 0.75 in (1.9 mm) digit height

Approvals:

c-Met, E113986

Warranty:

Two-year limited

Part Number/Price

Part #	Model #	Capacity	Price
204402	Rice Lake VS-37	1,000 × 0.2 lb (450 × 0.1 kg) with USB	Consult

Shipping Weight

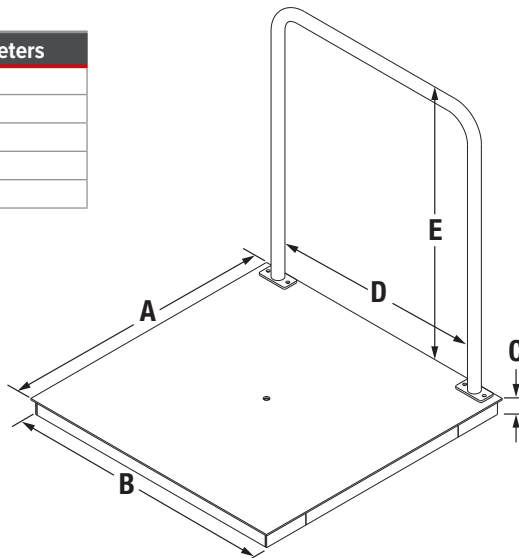
Part #	Model #	L (in)	W (in)	H (in)	Package Wgt. (lb)	Dim Wgt. (lb)	Shipping Wgt. (lb)
204402	Rice Lake VS-37	40	39	15	246	169	246

Options/Accessories

Part #	Description	Price
79074	Cable, USB 6 ft USB-A (male) to USB-B (male)	Consult
217091	Cable, Communication DB9 (female) to RJ45 (male), 4 conductor	Consult
186830	Cable, RS232 scale to printer, 6 ft, 25-pin D-Sub (male) to RJ45	Consult

Dimensions

	Inches	Centimeters
A	36.0	91.4
B	36.0	91.4
C	3.0	7.6
D	31.5	80.0
E	37.0	94.0



Rice Lake VS-37

Pit Frame Concrete Details

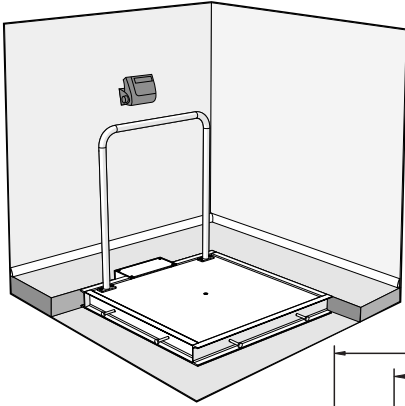
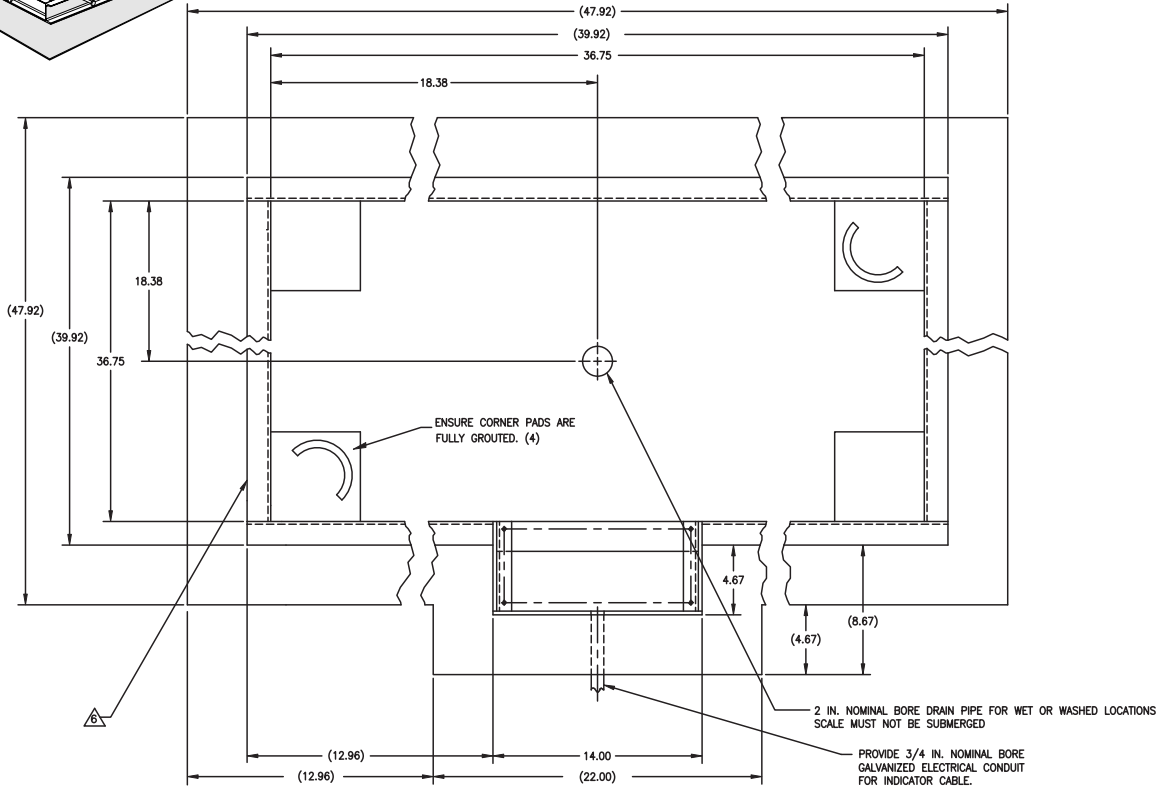
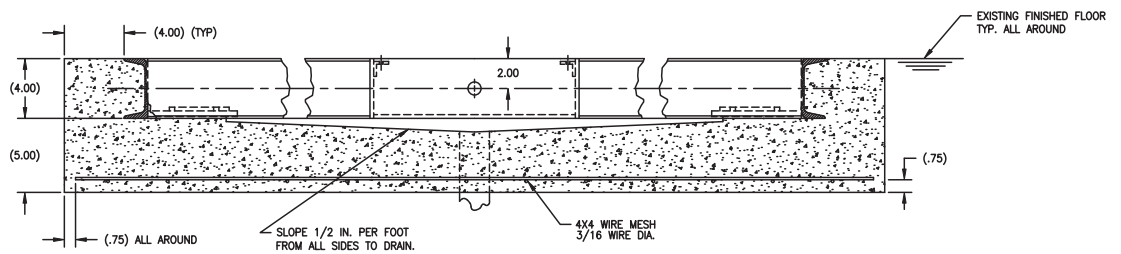


Image illustrates pit frame exposed to show detail.



NOTE: HANDRAIL ON SCALE WILL MOUNT ON SAME SIDE AS JUNCTION BOX POCKET



NOTE:

1. USE CONCRETE OF MINIMUM YIELD STRENGTH 5000 PSI OR 6-BAG MIX.
2. ALLOW 7 DAYS TO CURE. WET CONCRETE PERIODICALLY DURING THIS TIME.
3. DIMENSIONS SHOWN ASSUME FIRM, STABLE SOIL CONDITIONS. WHEN SOIL CONDITIONS ARE NOT ADEQUATE, PLACE FOUNDATION AT SUFFICIENT DEPTH.
4. IN WET OR WASHDOWN APPLICATIONS WE RECOMMEND THE USE OF HERMETICALLY SEALED LOAD CELLS, AND THAT THE JUNCTION BOX BE MOUNTED REMOTELY IN A DRY LOCATION.
5. WIRE MESH TO HAVE MINIMUM .75 COVER BOTTOM AND SIDES.

ON STAINLESS STEEL VERSIONS, TWO PIECES OF 2 INCH ANGLE WILL BE SUBSTITUTED FOR THE 4 INCH CHANNEL.