

# MSI-8004HD

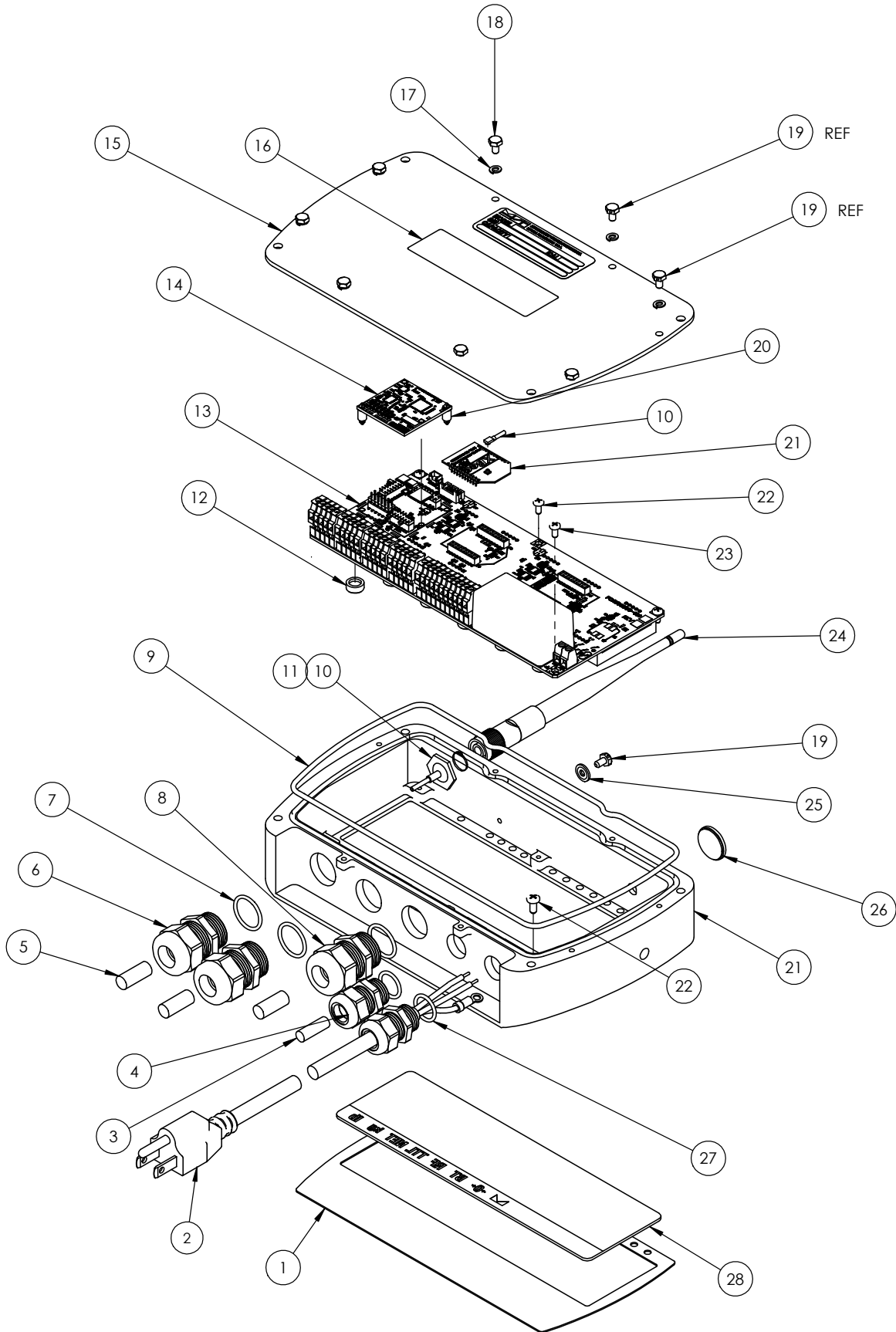
Indicator AC



## Part Number/Price

Item #	Part #	Description	Price
1	178180	Overlay, standard	Consult
2	160518	Power cord AC in	Consult
3	141991	Pin round acetal 0.25 in diameter	Consult
4	141593	Conn feed through liquid	Consult
5	142554	Pin round acetal 0.312 in diameter	Consult
6	177368	Conn, feed through, liquid	Consult
7	177366	O-ring, PG13, Buna-N	Consult
8	177364	Conn feed through	Consult
9	153110	O-ring 7-1/4 x .103	Consult
10	152051	Cable assembly RF coax	Consult
11	153793	O-ring 1/2 ld x .070	Consult
12	177362	Key cap, SMS switches	Consult
13	176192	PCA 8004 indicator green/red	Consult
14	153431	PCA ScaleCore3 4-channel	Consult
15	152034	Cover fixed mount 8000	Consult
16	159855	Overlay TranSend FCC	Consult
17	146538	Washer split lock stainless steel #6	Consult
18	146022	Bolt hex head 6-32 x 1/4 cap stainless steel	Consult
19	143271	Screw mach hex head	Consult
20	144929	Spacer miniature dual	Consult
21	144773	Radio module Xbee-pro	Consult
22	144537	Screw LKG PCH pan head 6-32	Consult
	142233	Screw, pan head, locking, 4-40 x 3/16, Phillips, stainless steel	Consult
23	146543	Screw pan head 4-40 x 1/4 nylon	Consult
24	143283	Antenna 2.4 GHz	Consult
25	143272	Washer seal #6 steel	Consult
26	158438	Plug diameter 0.750 in with adhesive	Consult
27	177363	O-ring, PG9, Buna-N	Consult
28	177579	LED filter med grey	Consult

REPLACEMENT PARTS



REPLACEMENT PARTS

# MSI-8004HD

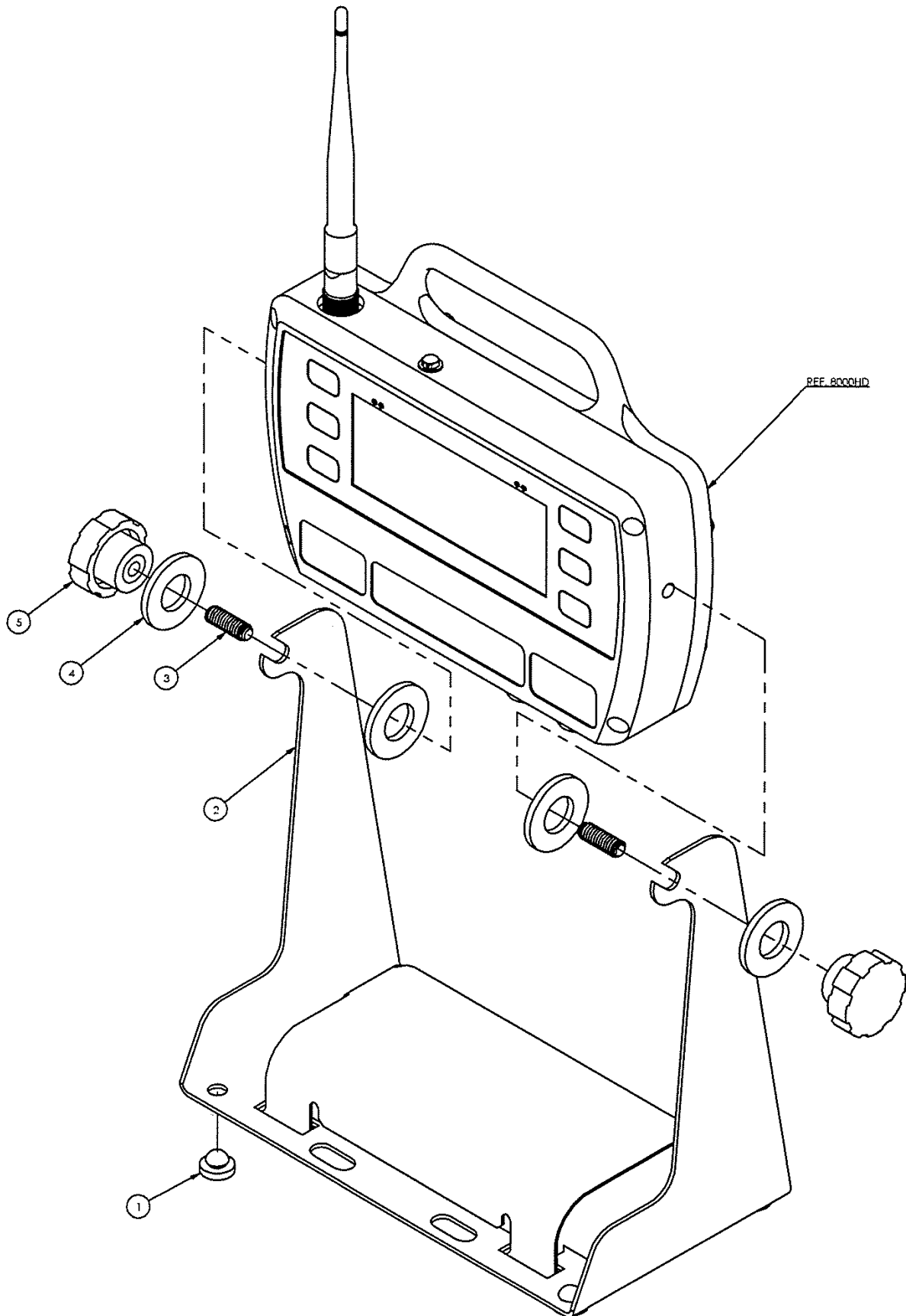
Optional Kit Tilt Stand



## Part Number/Price

Item #	Part #	Description	Price
1	143224	Bumper molded sbr .078	\$1.00
2	155172	Tilt stand 8000HD	Consult
3	155192	Screw set 5/16-18 x 7/8	\$0.50
4	146200	Washer flat nylon .315 ID	\$2.00
5	143879	Knob fluted 5/16-18	\$13.00

REPLACEMENT PARTS



REPLACEMENT PARTS