

iDimension® Plus / Plus XL

Static Dimensioning System



Standard Features

- iDim Plus package includes: Base plate, pole assembly, USB display, calibration object, US power cord, operating manual and assembly tool kit
- iDim Plus XL package includes: iDimension Plus XL scanner head, 10 ft Ethernet cable, USB display, calibration object, US power cord and operating manual
- Easy to assemble in 30 minutes or less
- Displays dimensions in 0.2 seconds
- No special package placement requirements
- Capable to dimension opaque packaging
- Measurement capabilities beyond Legal for Trade limits
- Standard resolution color camera
- High resolution color image, 2880 × 2160 pixels, available from iDimension Plus 4K

Options

- iDimension SS (Software Suite) or iDimension Desktop Wedge programs for data integration
- Powered USB hub for use of more than one peripheral
- Wired or wireless USB bar code scanner
- Rice Lake BenchPro shipping/postal scales
- Rice Lake 680, 880, 1280 indicators available for automation applications

Specifications

Power Requirements:

110 to 240 VAC
US power cord (included)

Communication Ports:

(1) USB A
(1) 10/100/1000 Base-T Ethernet

Display:

7 in (178 mm) touchscreen monitor

Accuracy:

Certified Legal for Trade at 0.2 in (5 mm) cuboidal shapes
Certified Legal for Trade at 0.5 in (10 mm) irregular shapes

Software Integration:

Simple API network integration through HTTP requests, status checking and XML parsing

Temperature Range:

Certified: 32 °F to 104 °F (0 °C to 40 °C)

Humidity:

Non-condensing

Warranty:

Two-year limited

Approvals:

NTEP 19-040
OIML T11908
CE
EU Mid
FCC
NMI

Approvals



Measurement Capabilities Based on Pole Assembly Height

Model	1.2 m		1.5 m		2 m XL	
Platform Distance	48 in (1,200 mm)		60 in (1,500 mm)		80 in (2,000 mm)	
Min/Max	Min	Max	Min	Max	Min	Max
Length	1.2 in (30 mm)	40 in (1,000 mm)	1.2 in (30 mm)	48 in (1,200 mm)	8 in (203 mm)	48 in (1,200 mm)
Width	1.2 in (30 mm)	24 in (600 mm)	1.2 in (30 mm)	32 in (800 mm)	8 in (203 mm)	32 in (800 mm)
Height	0 in (0 mm)	24 in (600 mm)	0 in (0 mm)	28 in (700 mm)	4 in (102 mm)	32 in (800 mm)
Division	0.2 in (5 mm)		0.2 in (5 mm)		0.5 in (10 mm)	

Legal for Trade approved minimum and maximum measurements are available from the country specific certificate of approval.

Part Numbers/Price

Part #	Description	Price
Parcels less than 40 inches (1.2m pole)		
204599	iDimension Plus 1.2m pole assembly	Consult
204600	iDimension Plus 4K 1.2m pole assembly	Consult
Parcels less than 48 inches (1.5m pole)		
204596	iDimension Plus 1.5m pole assembly	Consult
204598	iDimension Plus 4K 1.5m pole assembly	Consult
iDimension Plus XL		
204601	iDimension Plus XL	Consult
204602	iDimension Plus XL 4K	Consult
iDimension Plus XL Mounting Options		
174660	iDimension XL floor stand	Consult
198708	iDimension XL mounting hardware and cable assembly kit with 25 ft North American power cord	Consult
206583	iDimension XL mounting hardware and cable assembly kit without power cord	Consult
184262	iDimension USB operator display RAM® mount kit	Consult

iDimension® Plus / Plus XL

Static Dimensioning System

DIMENSIONING

Options/Accessories

Part #	Description	Price
Accessories		
180007	Kit, USB Hub, 5 m cable assembly, power adapter, four-port industrial USB hub, US power supply	Consult
180771	Kit, USB Hub for shipping software integration, Includes four-port USB hub, power adapter USB to serial cables. Barcode scanner not included	Consult
205533	Power cord, detachable, German/French, 5 m, CEE 7/7, Type E plug	Consult
95589	Power cord, detachable, UK, 2.5m, BS1363 Type G plug	Consult
162630	Power cord, detachable, AU / NZ, 2.5m, 1332 Type 1 plug	Consult
178501	RS-232/USB cable, for use with compatible indicators	Consult
Barcode Scanner		
176307	QuickScan QD2131 USB barcode scanner	Consult
206225	Wireless Honeywell 1981IFR-3USB-5-N long-range barcode scanner	Consult
Optional Integration Solutions		
180771	Shipping software integration kit includes four-port industrial USB hub, power adapter and USB cables to connect computer and dimensioner	Consult
203010	iDimension Desktop Wedge requires Windows 10 or newer (Available for free download at www.ricelake.com)	N/C
175812	iDimension SS (software suite) web server software requires Windows 10 or newer	Consult
Optional Factory Service and Support		
202027	Up to 2 hours iDim Plus remote support, includes initial configuration and scale setup, iDimension Desktop Wedge installation and operator training.	Consult/Unit
Extended Warranty – Two-year standard		
202030	iDimension Plus one-year optional extended warranty	Consult

Rice Lake BenchPro Compatible Scales

Postal Scale 12 × 14 in (305 × 356 mm) Weigh Platter		
194625 *	Model BP 1214-35P - 70 lb postal scale, painted mild steel weight platter	Consult
Shipping Scale 12 × 14 in (305 × 356 mm) Weigh Platter		
184585	Model BP 1214-75S, 150 × 0.05 lb / 75 × 0.02 kg painted mild steel weigh platter	Consult
Shipping Scale 18 × 18 in (457 × 457 mm) Weigh Platter		
202191	Model BP 1818-75S, 150 × 0.05 lb / 75 × 0.02 kg, painted mild steel weigh platter	Consult
201730	Model BP 1818-75S, 150 × 0.05 lb / 75 × 0.02 kg ball top weigh platter	Consult
202190	Model BP 1818-75S, 150 × 0.05 lb / 75 × 0.02 kg roller conveyor weigh platter	Consult
Shipping Scale 20 × 20 in (508 × 508 mm) Weigh Platter		
182396	Model BP 2020-150S, 300 × 0.1 lb / 150 × 0.05 kg, painted mild steel weigh platter	Consult
182397	Model BP 2020-150S, 300 × 0.1 lb / 150 × 0.05 kg, ball top weigh platter	Consult
182398	Model BP 2020-150S, 300 × 0.1 lb / 150 × 0.05 kg, roller conveyor weigh platter	Consult
Shipping Scale 24 × 24 in (610 × 610 mm) Weigh Platter		
182400	Model BP 2424-150S, 300 × 0.1 lb / 150 × 0.05 kg, painted mild steel weigh platter	Consult
182401	Model BP 2424-150S, 300 × 0.1 lb / 150 × 0.05 kg, ball top weigh platter	Consult
182402	Model BP 2424-150S, 300 × 0.1 lb / 150 × 0.05 kg, roller conveyor weigh platter	Consult

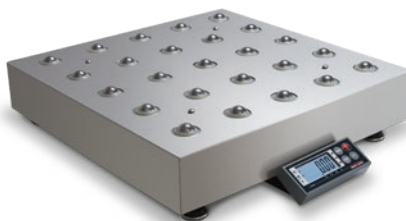
*USB HID interface not available when in the postal scale lb/oz mode



Shown with ELS (Elevated Load Cell Stand) legs found on page 584, conveyor not included



Model BP 1214-S with mild steel weigh platter



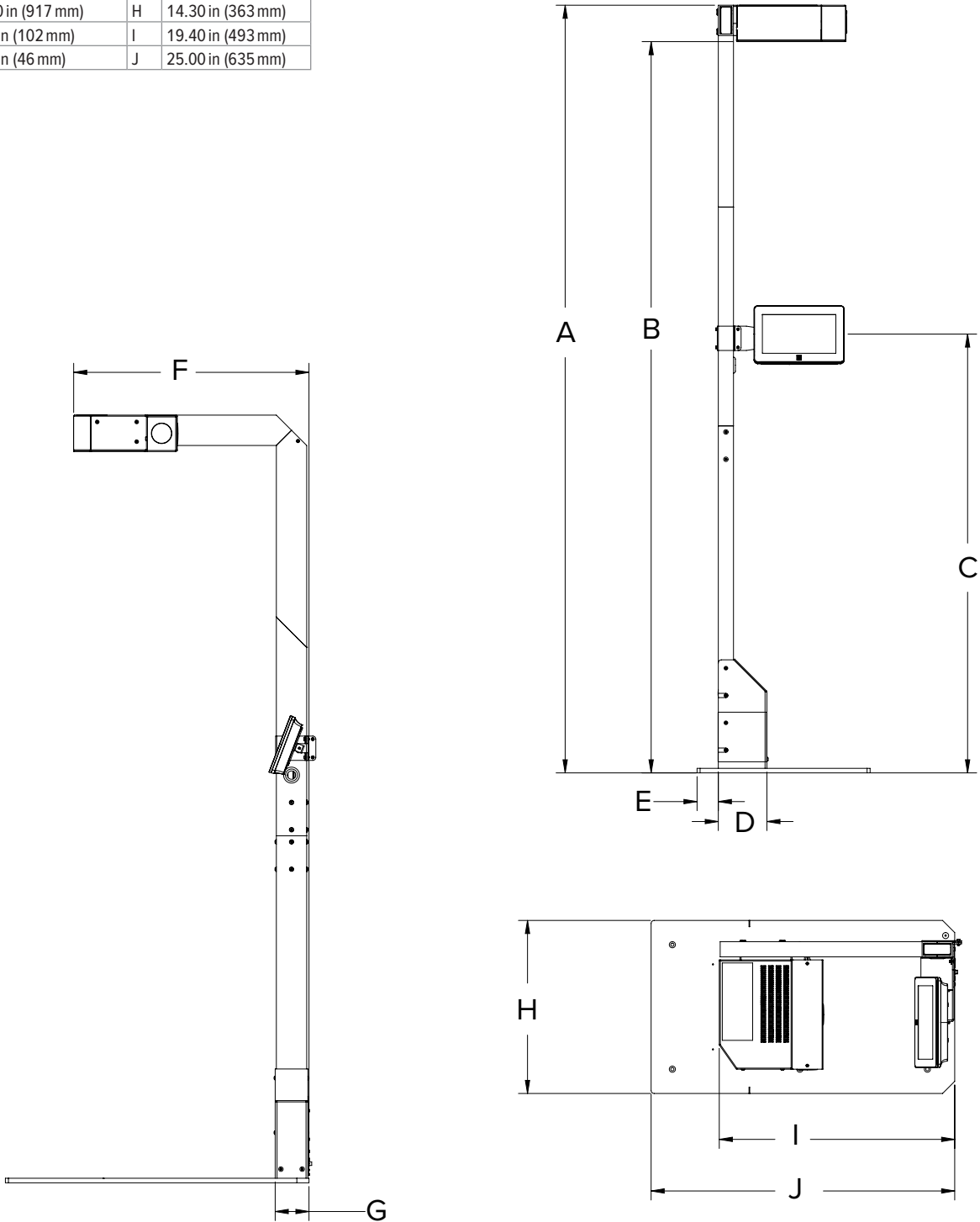
Model BP 1818-S with ball top weigh platter



Model BP 2424-S with roller conveyor weight platter

Dimensions

iDimension Plus, 1.5m			
A	63.20 in (1,605 mm)	F	19.40 in (493 mm)
B	60.20 in (1,529 mm)	G	2.80 in (71 mm)
C	36.10 in (917 mm)	H	14.30 in (363 mm)
D	4.00 in (102 mm)	I	19.40 in (493 mm)
E	1.80 in (46 mm)	J	25.00 in (635 mm)



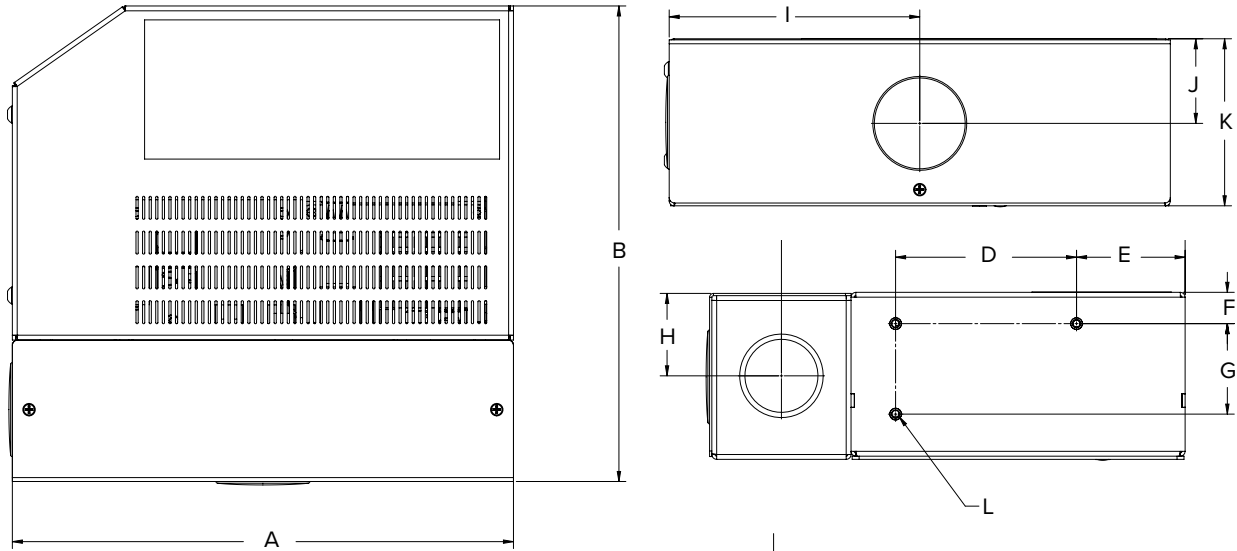
iDimension® Plus / Plus XL

Static Dimensioning System

DIMENSIONING

Dimensions

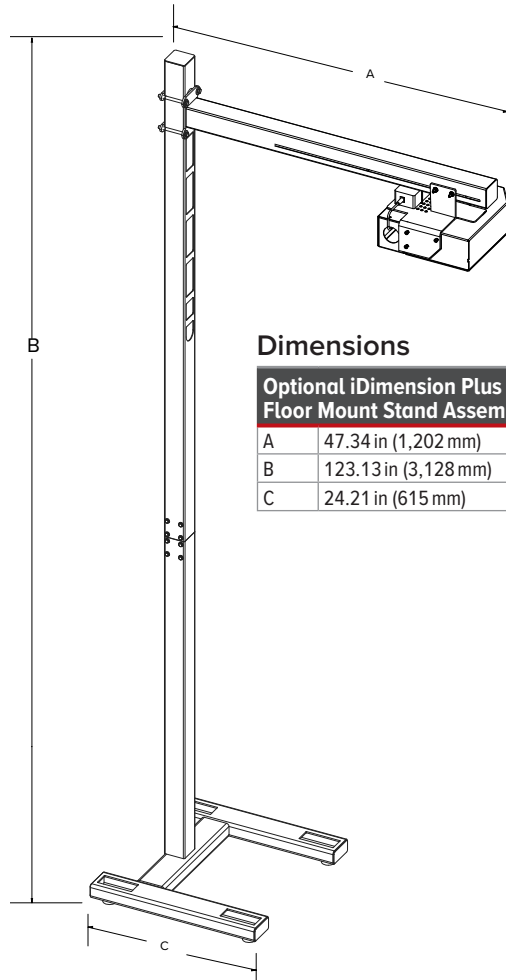
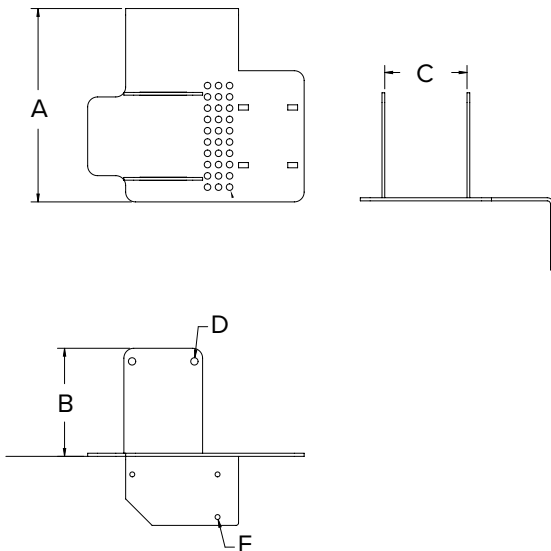
iDimension Plus XL Scanning Head Assembly					
A	9.00 in (229 mm)	F	0.60 in (15 mm)	K	3.00 in (76 mm)
B	8.50 in (216 mm)	G	1.60 in (41 mm)	L	M4 × 0.7 threaded hole
C	7.20 in (183 mm)	H	1.50 in (38 mm)		
D	3.30 in (84 mm)	I	4.50 in (114 mm)		
E	2.00 in (51 mm)	J	1.50 in (38 mm)		



Dimensions

iDimension XL Mounting Bracket - PN 198708	
A	7.37 in (187 mm)
B	4.12 in (105 mm)
C	3.14 in (80 mm)
D	2x Ø.28
E	3x Ø.19

Use this bracket to mount iDimension XL Scanner head to the optional floor stand 174660 or to user provided structure



Dimensions

Optional iDimension Plus XL Floor Mount Stand Assembly	
A	47.34 in (1,202 mm)
B	123.13 in (3,128 mm)
C	24.21 in (615 mm)